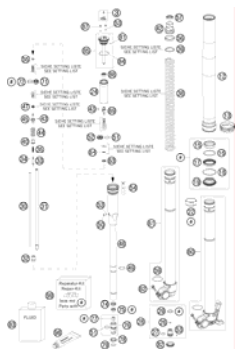
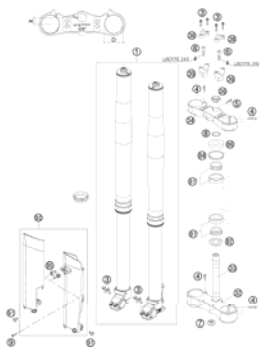
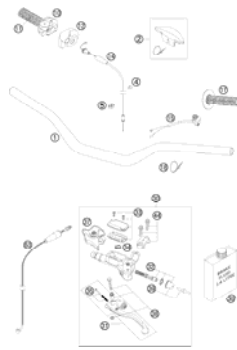
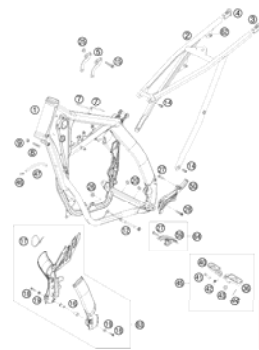
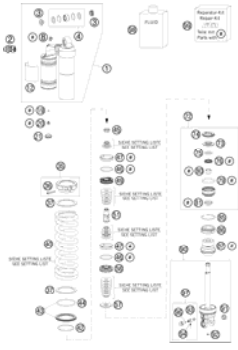
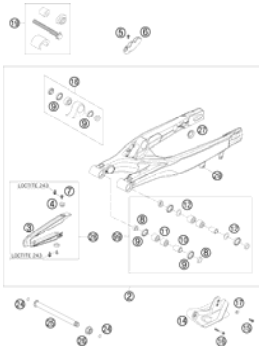
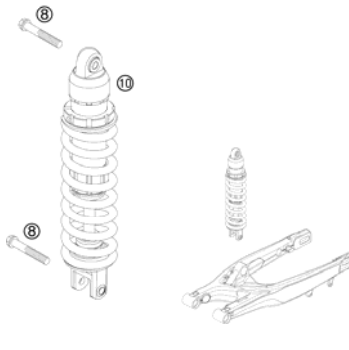
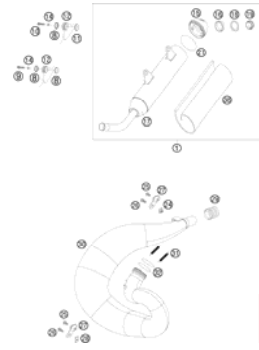
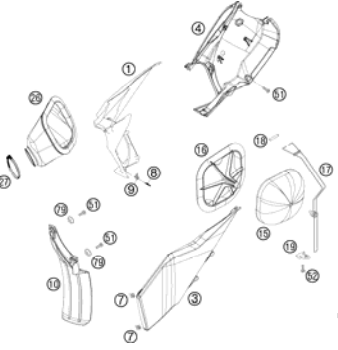
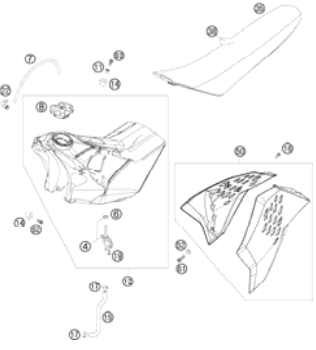
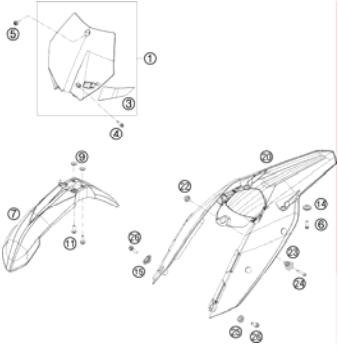
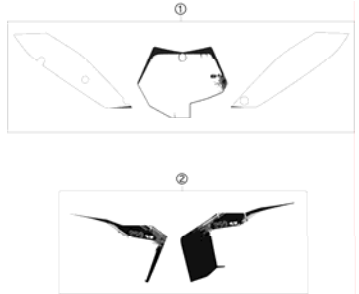


SPARE PARTS MANUAL: CHASSIS

ART.NO.: 3CF6301I0EN

ENGLISH



| | | | |
|---|--|---|---|
| <p>FRONT FORK DISASSEMBLED</p>  <p>3</p> | <p>FRONT FORK, TRIPLE CLAMP</p>  <p>5</p> | <p>HANDLEBAR, CONTROLS</p>  <p>6</p> | <p>FRAME</p>  <p>7</p> |
| <p>SHOCK ABSORBER DISASSEMBLED</p>  <p>8</p> | <p>SWING ARM</p>  <p>10</p> | <p>SHOCK ABSORBER</p>  <p>11</p> | <p>EXHAUST SYSTEM</p>  <p>12</p> |
| <p>AIR FILTER</p>  <p>13</p> | <p>TANK, SEAT, COVER</p>  <p>14</p> | <p>MASK, FENDERS</p>  <p>15</p> | <p>DECAL</p>  <p>16</p> |

FRONT WHEEL

17

REAR WHEEL

18

REAR BRAKE CONTROL

19

BRAKE CALIPER REAR

20

HAND BRAKE CYLINDER

21

BRAKE CALIPER FRONT

22

ACCESSORIES KIT

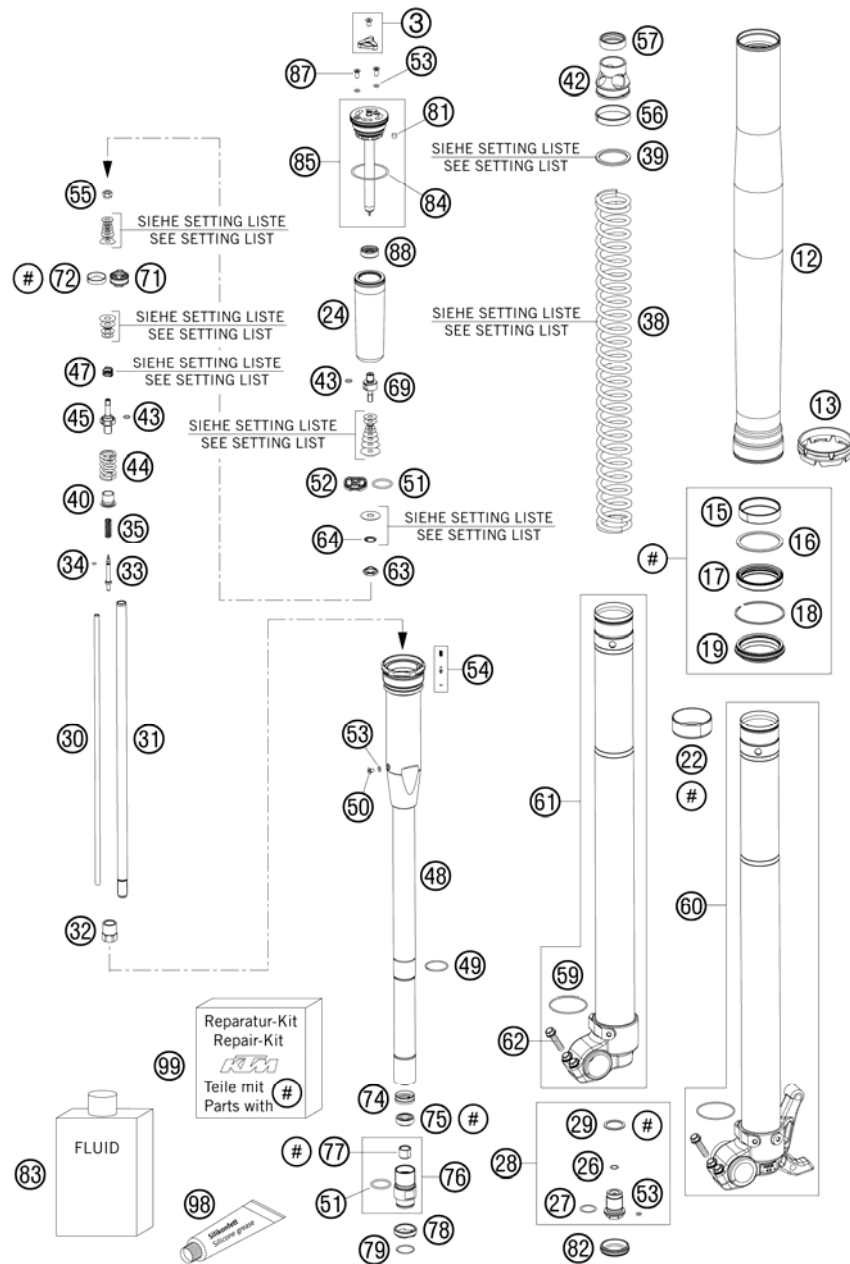
23



All information contained is without obligation. KTM-Sportmotorcycle AG particularly reserves the right to modify any equipment, technical specifications, prices, colors, shapes, materials, services, service work, constructions, equipment and the like so as to adapt them to local conditions or to cancel any of the above items, all without previous announcement and without giving reasons. KTM may stop manufacturing certain models without previous notice. KTM shall not be held liable for any deviations of availability and/or ability to deliver, illustrations, descriptions, printing and/or other errors. The illustrated models partly contain extra equipment, which is not applied to standard models. © by KTM-SPORTMOTORCYCLE AG, Mattighofen AUSTRIA; All rights reserved; Reprint, also in extracts, with written allowance of KTM-SPORTMOTORCYCLE AG, Mattighofen only.

FRONT FORK DISASSEMBLED

250 SX 2009



| FIG | PART NUMBER | DESCRIPTION | QTY |
|-----|-------------|-------------------------------|-----|
| 3* | 48600811S | ADJUSTING KNOB + SCREW | 2 |
| 12* | 48600736 | OUTER TUBE L577 D54/60MM 2L | 2 |
| 13 | 48600698 | FORK PROTECTION RING 08 | 2 |
| 15 | 48600429 | DU-BUSH D48XD52X12DDL02 | 2 |
| 16 | 48600013 | SUPPORT RING 50 X 57,6 X 1,5 | 2 |
| 17 | 48600347 | OIL SEAL RING 48X57,8X9,5 03 | 2 |
| 18 | 48600070 | LOCK WASHER SB58 | 2 |
| 19 | 48600400 | DUST CAP D=48 58,4X11,8 | 2 |
| 22 | 48600428 | DU-BUSH D47XD49X20DDL02 | 2 |
| 24 | 48600281 | MEMBRANE | 2 |
| 26 | 48600301 | O-RING NBR 9,5X1,5 | 2 |
| 27 | 46810811 | O-RING NBR 17X2 PA | 2 |
| 28 | 48600280S | SCREW BUSH M20X1 L=33 CPL. | 2 |
| 29 | 48600275 | COPPER WASHER 20,5X26X1 | 2 |
| 30 | 48600269 | ADJUSTING TUBE L=371 | 2 |
| 31 | 48600464 | PISTON ROD SXS 2005 | 2 |
| 32 | 48600459 | COUNTERNUT M12X1 WS17 | 2 |
| 33 | 48600277 | ADJUSTER NEEDLE 07 | 2 |
| 34 | 48600298 | O-RING 2X1,5 NBR | 2 |
| 35 | 48600444 | REBOUND SPRING C=4N/MM | 2 |
| 38 | 91410027S | SPRING 4,4 N/MM SET D=5,1MM | x |
| 38 | 91410028S | SPRING 4,6 N/MM SET D=5,1MM | x |
| 38 | 91410029S | POLISHED SPRING 4,8 N/MM | x |
| 38 | 91410030S | SPRING 5,0 N/MM | x |
| 38 | 91410059S | SPRING 4,0 N/MM SET | x |
| 38 | 91410060S | SPRING 4,2 N/MM SET D=5,0MM | x |
| 39 | 48600456 | SPACER 43X35X2,5 | x |
| 39 | 48600457 | SPACER 43X35X5 | x |
| 39 | 48600458 | SPACER 43X35X1,5 | x |
| 40 | 48600525 | GUIDING BUSH REBOUND SPRING | 2 |
| 42 | 48600520 | SPRING SUPPORT | 2 |
| 43 | 48600299 | O-RING 6X1,2 NBR | 4 |
| 44 | 48600578 | SPRING REB. L=32 C=37 DI=13,9 | 2 |
| 45 | 48600576 | PISTON ROD REBOUND | 2 |
| 47 | 35480377 | SPRING CHECK VALVE D=0,5 | 2 |
| 47 | 48600382 | SHUTTLE VALVE SPRING C=0,4 | 2 |

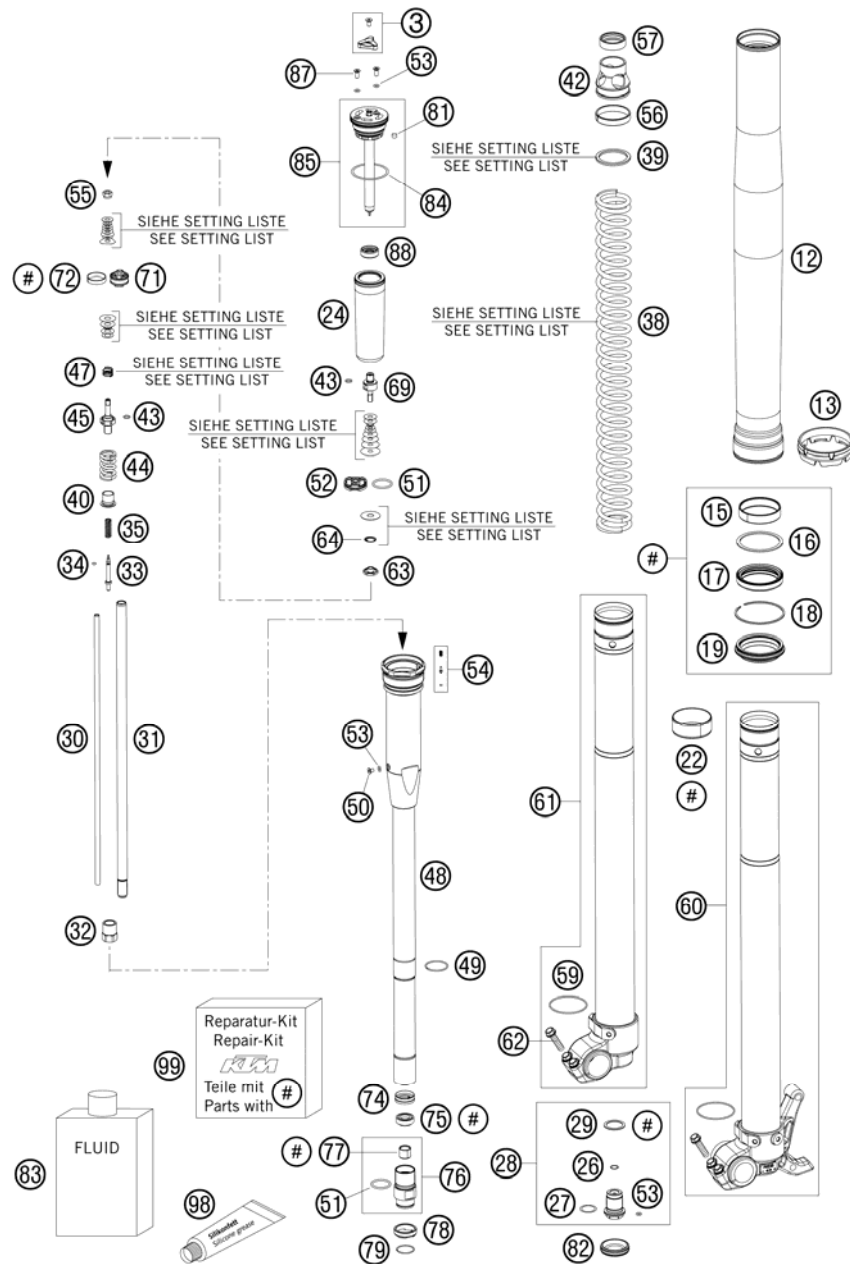
095030131 / C095030131

* NEW PART

X AS REQUIRED

FRONT FORK DISASSEMBLED

250 SX 2009



| FIG | PART NUMBER | DESCRIPTION | QTY |
|-----|-------------|-------------------------------|-----|
| 48 | 48600519S3 | MEMBRANE HOLDER | 2 |
| 49 | 48600512 | LOCK WASHER D=25,5 | 2 |
| 50 | 48600542 | AH SCREW M4X6 | 2 |
| 51 | 46811499 | O-RING NBR 21X2 | 4 |
| 52 | 48600047 | PISTON COMPRESSION D=27,9 | 2 |
| 53 | 50180222 | O-RING NBR 4X1,5 | 8 |
| 54 | 48600518S | PIN VALVE SET | 2 |
| 55 | 40540486 | NUT M6X0,5 REBOUND | 2 |
| 56* | 48600744 | GUIDE RING 44 X39 | 2 |
| 57 | 48600577 | RING SPRING-SUPPORT | 2 |
| 59* | 48600113 | WASHER 32X42X2,5 | 2 |
| 60* | 48600690S2 | AXLE CLAMP L/S + TUBE CPL. 09 | 1 |
| 61* | 48600691S2 | AXLE CLAMP R/S + TUBE CPL. 09 | 1 |
| 62 | 0025080256 | HH COLLAR SCREW M8X25 TX40 | 4 |
| 63 | 48600163 | CHECK VALVE NUT M6X0,5 D=2 | 2 |
| 64 | 48600202 | SPRING CHECK VALVE D=0,7 | 2 |
| 69 | 48600509 | PISTON ROD COMPRESSION | 2 |
| 71 | 48600575 | PISTON REBOUND SX 2007 | 2 |
| 72 | 48600455 | PISTON RING 5X1X68 | 2 |
| 74 | 48600296 | RING D=23,45X2,65 | 2 |
| 75 | 48600471 | PISTON ROD SEALING | 2 |
| 76 | 48600546S | SCREW SLEEVE M24,5X1 CPL. | 2 |
| 77 | 48600430 | DU BUSH FOR PISTON ROD | 2 |
| 78 | 48600709 | CHECK VALVE STOP | 2 |
| 79 | 48600446 | LOCK WASHER D=20 | 2 |
| 81 | 15080017 | SILICON CAP | 2 |
| 82 | 48600692 | RUBBER CAP D=26,4 | 2 |
| 83 | 48600401S1 | FORK OIL SAE5 5L 2005 | 1 |
| 84 | 40140024 | O-RING NBR 43X2 | 2 |
| 85 | 48600516S1 | SCREW CAP CPL. L=125 | 2 |
| 87 | 48600526 | SCREW M4X10 | 4 |
| 88 | 48600514 | MEMBRANE SLEEVE | 2 |
| 98 | T511 | SILICONE GREASE F. DUST STRI | 1 |
| 99 | R14014 | REPAIR-KIT GASKET 48MM 0 | 1 |

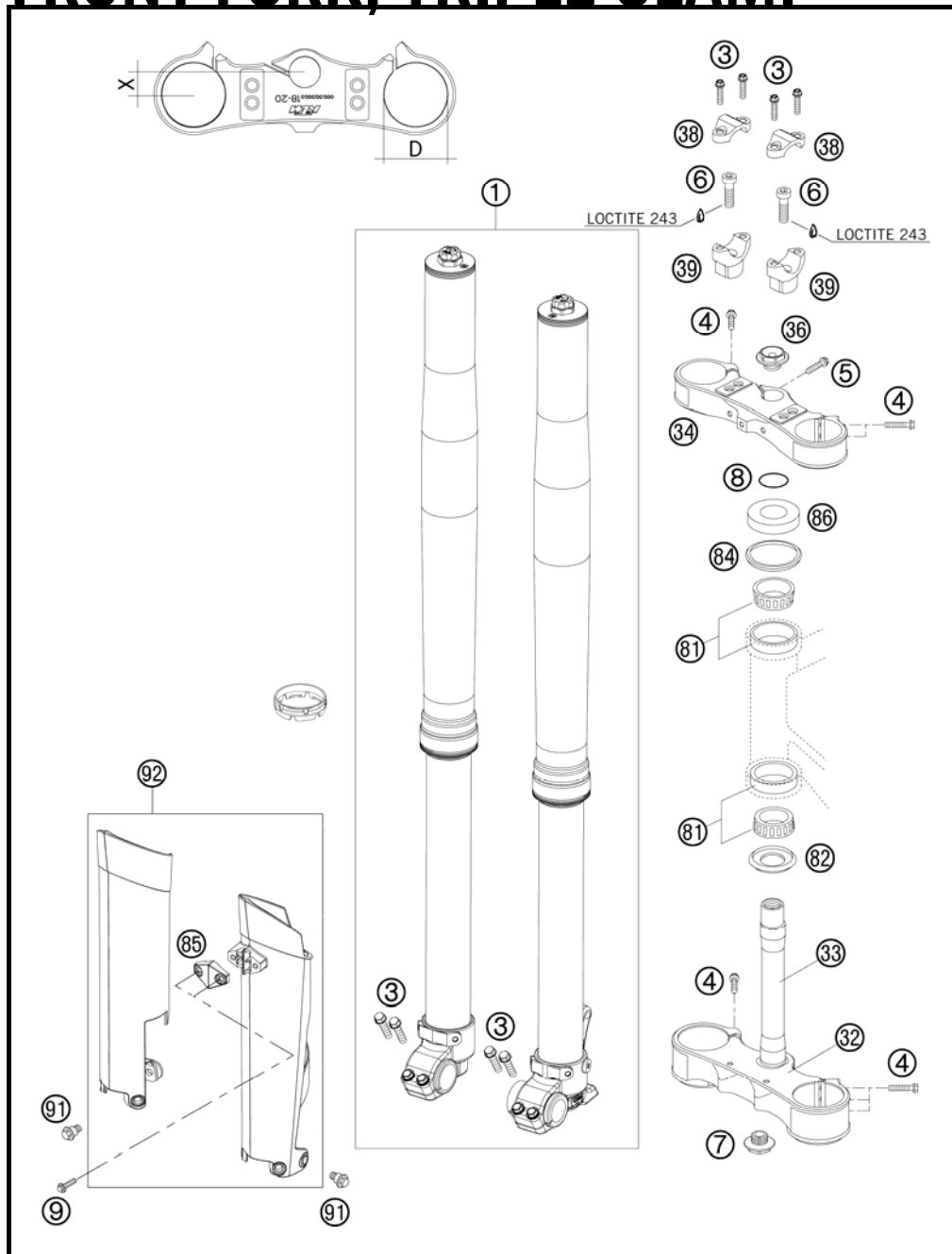
095030131 / C095030131

* NEW PART

X AS REQUIRED

FRONT FORK, TRIPLE CLAMP

250 SX 2009



| FIG | PART NUMBER | DESCRIPTION | QTY |
|-----|---------------|--------------------------------|-----|
| 1* | 14187E0301 | FORK KTM CC 250 SX/SX-F 2009 | 1 |
| 3 | 0025080256 | HH COLLAR SCREW M8X25 TX40 | 8 |
| 4 | 0025080356 | HH COLLAR SCREW M8X35 TX40 | 10 |
| 5 | 0025080256S | HH COLLAR SCREW M8X25 TX40 | 1 |
| 6 | 0912100356 | AH SCREW DIN6912-M10X35 10.9 | 2 |
| 7 | 54801036100 | STE.HEAD SCR. M20X1,5 WS=27 SL | 1 |
| 8 | 0770025035 | O-RING 25X3,55 NBR70 05 | 1 |
| 9 | 0017060204 | EJOT PT SCREW K60X20 ALU WS=6 | 2 |
| 32* | 5940103101930 | BOTTOM TRIPLE CLAMP D=60MM 09 | 1 |
| 33 | 59401033000 | FORK TUBE L=237MM 05 | 1 |
| 34* | 5940103401930 | TOP TRIPLE CLAMP D=54MM 09 | 1 |
| 36 | 54801036000 | STEER.HEAD SCREW M20X1,5 WS=27 | 1 |
| 38 | 59401038000 | HANDLEBAR CLAMP 28MM 05 | 2 |
| 39 | 59401039032 | HANDLEB.SUPP. D=28MM H=32MM 05 | x |
| 39 | 59401039037 | HANDLEB.SUPP. D=28MM H=37MM 05 | x |
| 39 | 59401039042 | HANDLEB.SUPP. D=28MM H=42MM 05 | x |
| 81 | 54201081100 | TAPERED ROLLER BEARING CPL. 06 | 2 |
| 82 | 54601084100 | O-RING SUPPORT W. SEALING LIP | 1 |
| 84 | 54601184000 | STEERING HEAD GASKET TOP | 1 |
| 85 | 7800108500030 | CLAMP F.SPEED.CABLE D=6MM 08 | 1 |
| 86 | 54201086000 | STEERING HEAD COVER | 1 |
| 91 | 59001092050 | SPECIAL SCREW M6X12,5 WS=8 | 6 |
| 92 | 7800109400030 | FORK PROT. L/S+R/S BLACK | 1 |

085030110 / C095480110

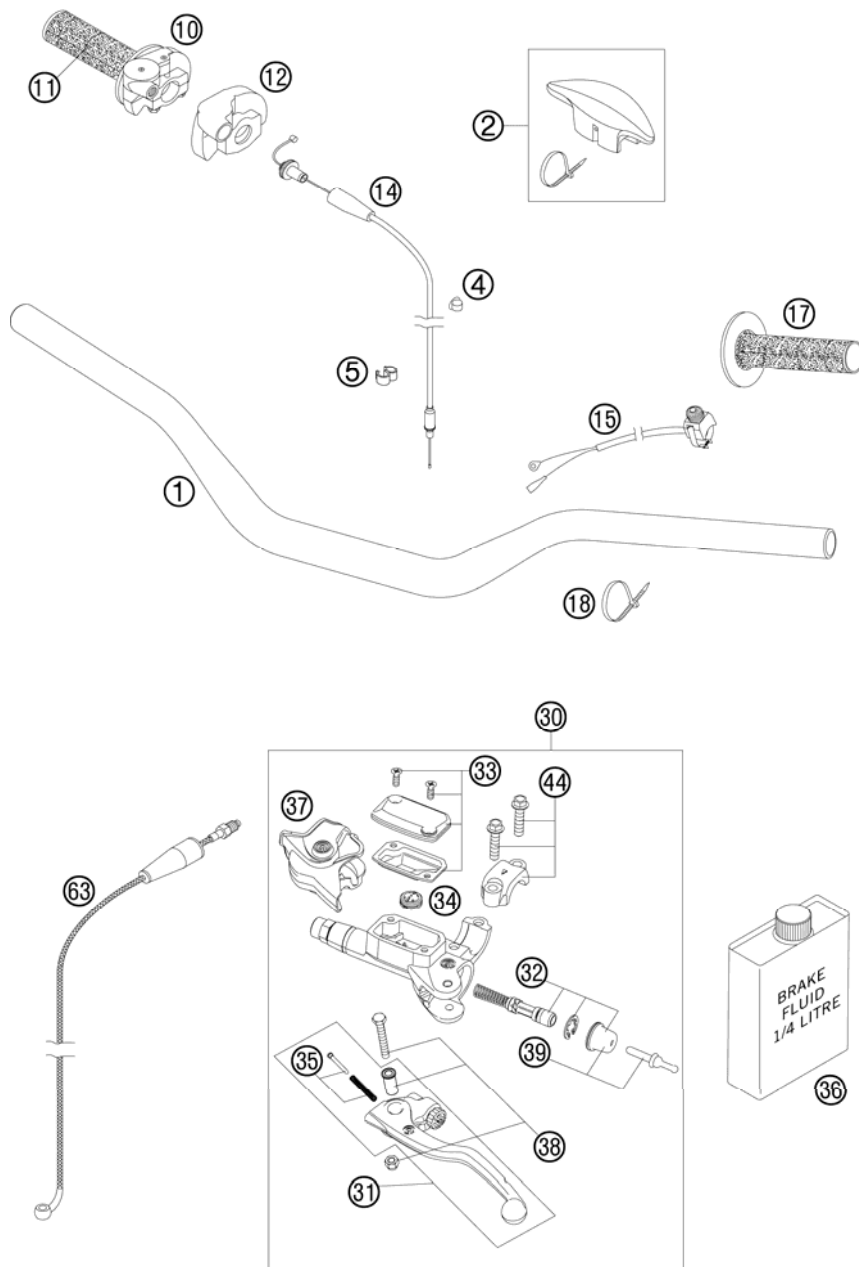
* NEW PART

X AS REQUIRED



HANDLEBAR, CONTROLS

250 SX 2009

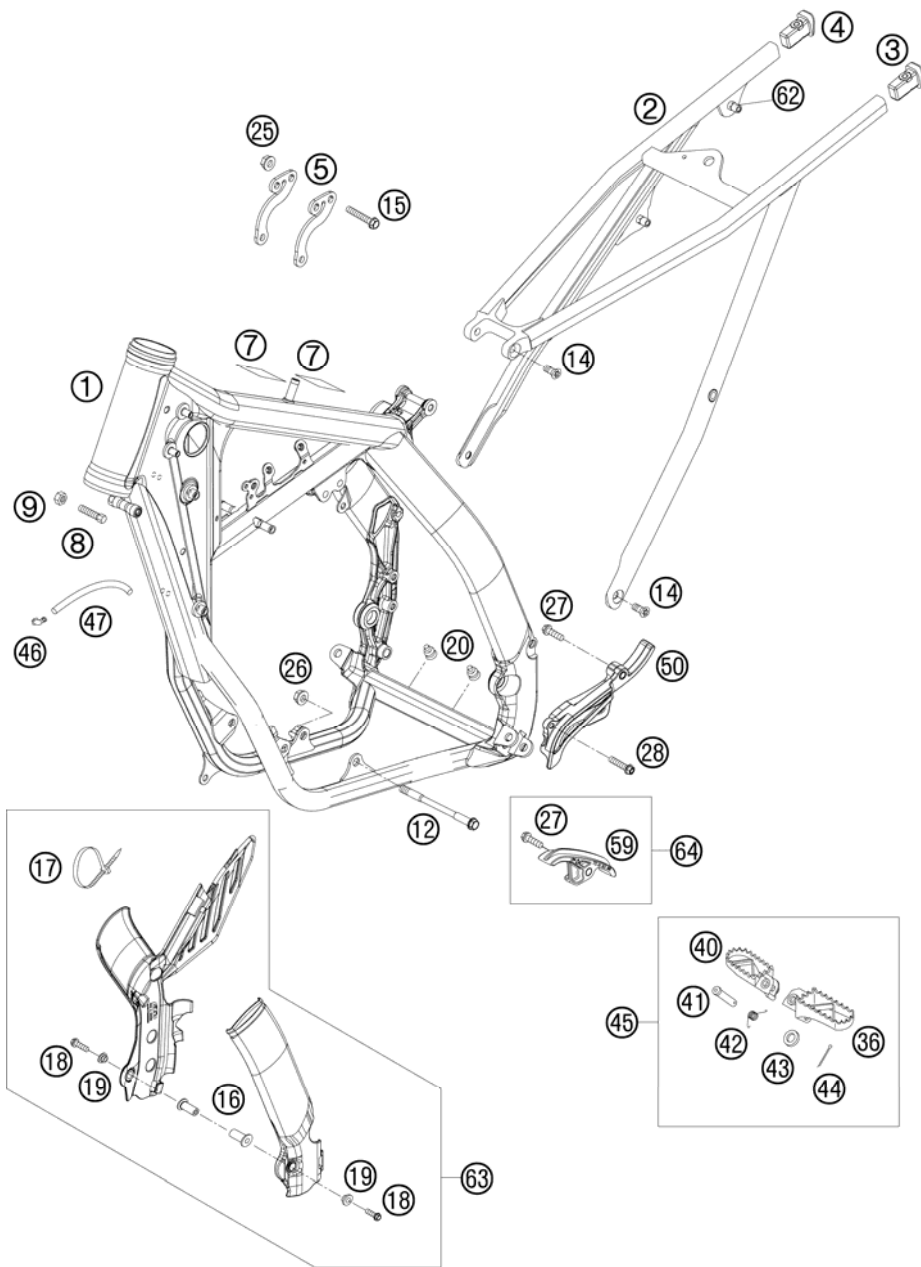


| FIG | PART NUMBER | DESCRIPTION | QTY |
|-----|---------------|--------------------------------|-----|
| 1 | 7730200110017 | HANDLEBAR RENTHAL SX 28MM 08 | 1 |
| 2 | 59002002000 | HANDLEBAR PAD 05 | 1 |
| 4 | 57013072000 | WIRING HOLDER 12MM | 1 |
| 5 | 60111094000 | CLAMP 5/7 MM 06 | 2 |
| 10 | 54802010000 | THR.TWIST CRIP CPL. W.O.CA. 04 | 1 |
| 11 | 54802013000 | TWIST GRIP COVER RENTHAL 04 | 1 |
| 12 | 50302020000 | PROTECTION COVER '97 | 1 |
| 14 | 50302091000 | THROTTLE C. 125-380 DOM./KEIH. | 1 |
| 15 | 50311089200 | SHORT CIRCUIT BUTTON 02 | 1 |
| 17 | 54802039000 | FIXED GRIP RENTHAL 04 | 1 |
| 18 | 44011076200 | CABLE TIE 200/3,6MM BLACK | x |
| 30 | 54802030044 | MASTER CYLINDER CPL. 06 | 1 |
| 31 | 54802031000 | CLUTCH LEVER CPL. BREMBO 06 | 1 |
| 32 | 54802032000 | REP. KIT PISTON 06 | 1 |
| 33 | 54802003000 | COVER HYD. CLUTCH CPL. | 1 |
| 34 | 54802051000 | VALVE | 1 |
| 35 | 54802052000 | BOLT KPL. | 1 |
| 36 | 00062030000 | BRAKE FLUID DOT5.1 0,25L | 1 |
| 37 | 54802037000 | PROTECTION CAP 06 | 1 |
| 38 | 54802038100 | LEVER SCREW CPL. 06 | 1 |
| 39 | 54802046000 | PUSH ROD CPL. | 1 |
| 44 | 54802005100 | CLAMP CPL. 06 | 2 |
| 63 | 54832063000 | CLUTCH PIPE 06 | 1 |

095480212 / C095480210

* NEW PART

X AS REQUIRED



| FIG | PART NUMBER | DESCRIPTION | QTY |
|-----|---------------|--------------------------------|-----|
| 1 | 5480340100030 | FRAME 250 SX "CA07" 07 | 1 |
| 2 | 77303002000 | SUB FRAME SX "Q7" 07 | 1 |
| 3 | 78003002010 | SUB FRAME APPLICATION LEFT 08 | 1 |
| 4 | 78003002020 | SUB FRAME APPLICATION RIGHT 08 | 1 |
| 5 | 54803413000 | REINFORCING B. 250 SX 07 | 2 |
| 7 | 50307012000 | ADH. FOIL TRANSP. 80X80 MM 04 | 2 |
| 8 | 59001037000 | SPECIAL SCREW M8X26 WS=10 | 2 |
| 9 | 0934080003 | HEXAGON NUT DIN0934-M 8 | 2 |
| 12 | 54603013000 | ENGINE BRAC.SCR. M10X105 WS=13 | 2 |
| 14 | 0019080206S | FLAT HEAD SCREW M. ISA45 M8X20 | 4 |
| 15 | 56530079000 | COLLAR SCREW M8X42 WS=13 10.9 | 3 |
| 16* | 54803092050 | BLIND PLUG-IN NUT M5 WN 22A 03 | 2 |
| 17* | 44011076305 | CABLE TIE 300/4,8MM BLACK | 3 |
| 18* | 0738050250 | COU.SUNK SCR. AH ISO7380 M5X25 | 2 |
| 19* | 54803092060 | BUSH F. FRAME PROTECTION 03 | 2 |
| 20 | 54403135000 | PLASTIC CAP SFL10 | 2 |
| 25 | 54310086200 | SELF LOCKING NUT M8 10.9 | 3 |
| 26 | 54310086100 | SELF LOCKING NUT M10 CU WS=14 | 2 |
| 27 | 0025080306 | HH COLLAR SCREW M8X30 TX40 | 2 |
| 28 | 0025060356 | HH COLLAR SCREW M6X35 TX30 | 1 |
| 36 | 59003040250 | FOOT PED L/S SILVER 02 | 1 |
| 40 | 59003041250 | FOOT PED R/S SILVER 02 | 1 |
| 41 | 54803044000 | BOLT FOR FOOT PED 03 | 2 |
| 42 | 54603041000 | FOOTREST SPRING L/S & R/S | 2 |
| 43 | 0125100003 | WASHER DIN0125-A10,5 | 2 |
| 44 | 0094032253 | PIN DIN0094-3,2X25 STEEL | 2 |
| 45 | 5030314013390 | FOOTREST L.+R. CPL. 03 | 1 |
| 46 | 50303089000 | ANGEL PIECE '97 | 2 |
| 47 | 55007016001 | PVC-HOSE 7X10 PER METER | x |
| 50 | 54803096000 | SPROCKET COVER 250 SX 07 | 1 |
| 59 | 77303053000 | CHAIN SLIDING PIECE BELOW 07 | 1 |
| 62 | 77303139000 | BLIND RIVET NUT EM6-60LF/HX | 4 |
| 63* | 77303094100 | PLASTIC FRAME PROTECTION SET | 1 |
| 64 | 77303053010 | CHAIN SLIDING P. BELOW CPL. 07 | 1 |

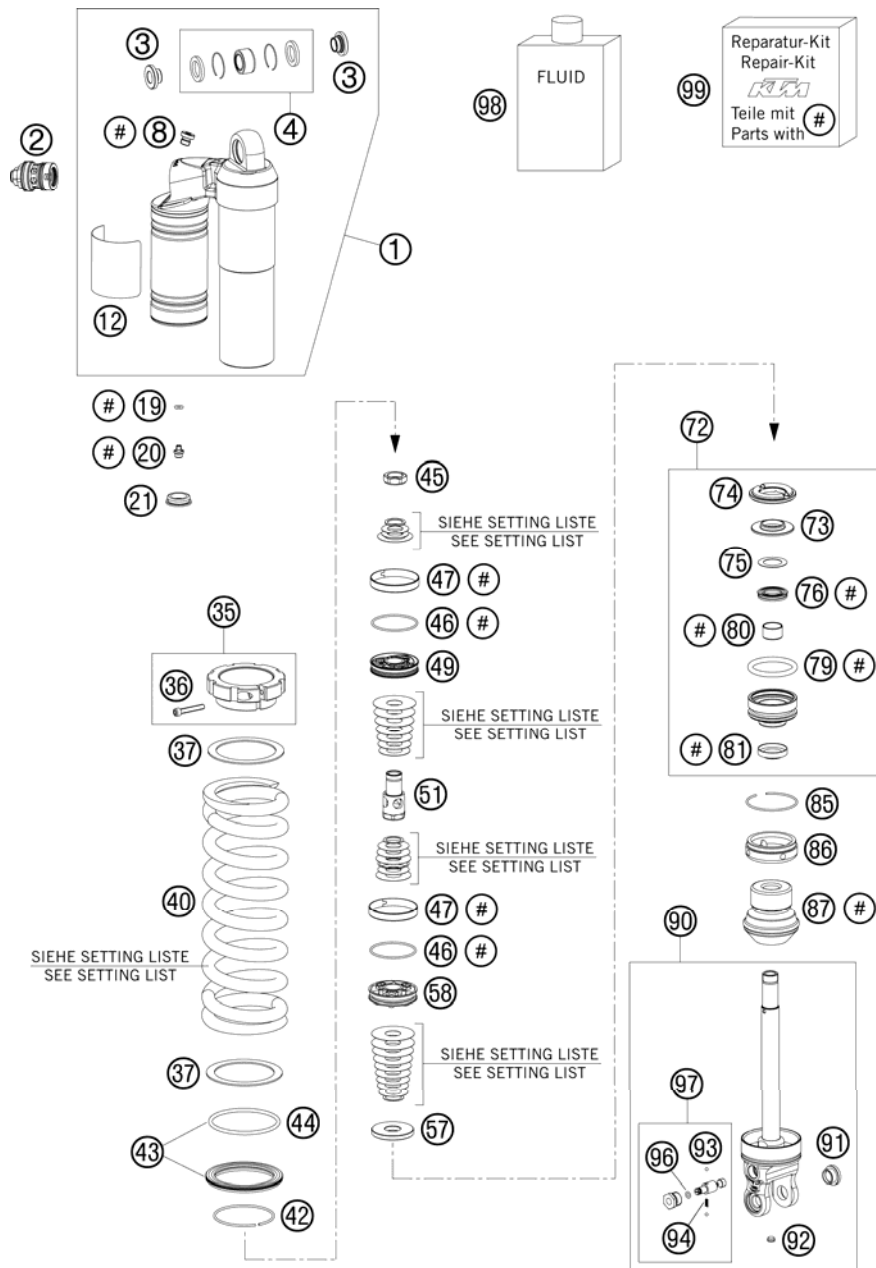
095480310 / C095480310

* NEW PART

X AS REQUIRED

SHOCK ABSORBER DISASSEMBLED

250 SX 2009



| FIG | PART NUMBER | DESCRIPTION | QTY |
|-----|-------------|--------------------------------|-----|
| 1* | 50180733S3 | TOP PART CPL. M57,5X1 H30,5 09 | 1 |
| 2* | 50180213S11 | DCC-COMPR.DAMP.CONTROL CPL. 09 | 1 |
| 3 | 46180007 | ADAPTOR BUSH KGW 12X24 | 2 |
| 4 | R12012 | REP. KIT BEAR./SEAL UP. 07 | 1 |
| 8 | 50180095 | BLEED PLUG R 1/8 | 1 |
| 12 | 52000041 | WP CAUTION (PDS KTM) 58X83 | 1 |
| 19 | 46810893 | O-RING NBR 5,28X1,78 | 1 |
| 20 | 36120151 | SCREW PLUG M5X6 | 1 |
| 21 | 46811208 | RUBBER CAP "DO NOT OPEN" | 1 |
| 35 | 50180520S | SPRING RETAINER M57,5X1 +SCREW | 1 |
| 36 | 50180327 | AH SCREW M5X30 DIN912 | 1 |
| 37 | 50180114 | INTERM.RING SCREW SPRING RET. | 2 |
| 40 | 91210053S | SPRING 250 63N/MM ORANGE | x |
| 40 | 91210054S | SPRING 250 66N/MM ORANGE | x |
| 40 | 91210055S | SPRING 250 60N/MM ORANGE | x |
| 40 | 91210068S | SPRING 250 69N/MM ORANGE | x |
| 40 | 91210069S | SPRING 250 72N/MM ORANGE | x |
| 40 | 91210070S | SPRING 250 76N/MM | x |
| 42 | 50180273 | CIRCLIP 58,2X2 | 1 |
| 43 | 50180463S | SPRING RET. D=80 W. O-RING 05 | 1 |
| 44 | 50180352 | O-RING VITON 66,27X3,53 | 1 |
| 45* | 50180627 | PISTON ROD NUT M20X1 | 1 |
| 46 | 50180099 | O-RING VITON 44,17X1,78 | 2 |
| 47 | 50180135 | PISTON RING 50-8 | 2 |
| 49* | 50180675 | PISTON D=20 | 1 |
| 51* | 50180764 | TAP D20 M20X1 L45,3 09 | 1 |
| 57* | 50180631 | REBOUND DISC D43 H0 T4 | 1 |
| 58 | 50180197 | PISTON 6+6X7/4,5 | 1 |
| 72 | 50180603S | ADAPTOR CPL. D=50 H=28 08 | 1 |
| 73 | 50180113 | STEEL DISC 18X,5X43,7X6 | 1 |
| 74 | 50180107 | REBOUND RUBBER | 1 |
| 75 | 50180604 | SHIM D29,75 X D19 X T0,4 08 | 1 |
| 76 | 50180605S | SEAL D18X30X5 08 | 1 |
| 79 | 50180103 | O-RING 41X5 | 1 |
| 80 | 46180119 | DU-BUSH 18X20X12 | 1 |
| 81 | 50180606 | DUST SEAL 1828 08 | 1 |

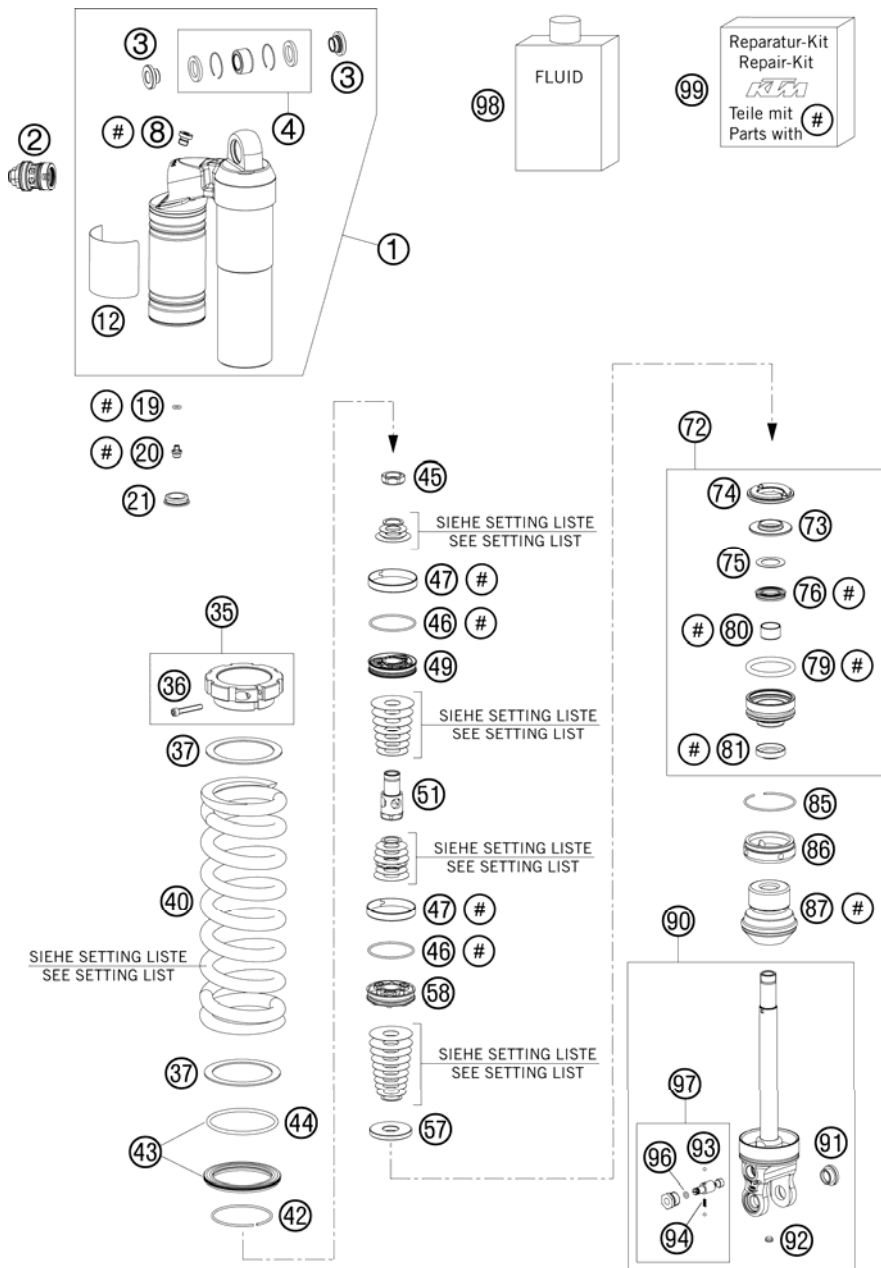
095030430 / C095030431

* NEW PART

X AS REQUIRED

SHOCK ABSORBER DISASSEMBLED

250 SX 2009



| FIG | PART NUMBER | DESCRIPTION | QTY |
|-----|-------------|--|-----|
| 85 | 50180126 | CIRCLIP 53X1,75 | 1 |
| 86* | 50180626 | RESERVOIR CAP D=50 H=10 09 | 1 |
| 87 | 50180480 | BUMP RUBBER D58 D17 H59 SXS 05 | 1 |
| 90* | 50180512S2 | SHOCK ABS. LOWER PART CPL. 09 ONLY FOR 250 SX | 1 |
| 90* | 50180512S3 | SHOCK ABS. LOWER PART CPL. 09 | 1 |
| 91 | 50180105 | THREADED BUSH M12 PDS | 1 |
| 92 | 50180297 | RUBBER PLUG D=8 | 1 |
| 93 | 40540603 | STEEL BALL D=3MM | 2 |
| 94 | 48600028 | SPRING D=2,9 L=7,9 | 1 |
| 96 | 50180222 | O-RING NBR 4X1,5 | 1 |
| 97 | 50180434S | ADJUSTING SCREW REBOUND TRAVEL | 1 |
| 98 | 50180342S1 | SHOCK ABSORBER FLUID 5 LT '03 | 1 |
| 99 | R12014 | REPAIR KIT 5018 PDS 06 | 1 |

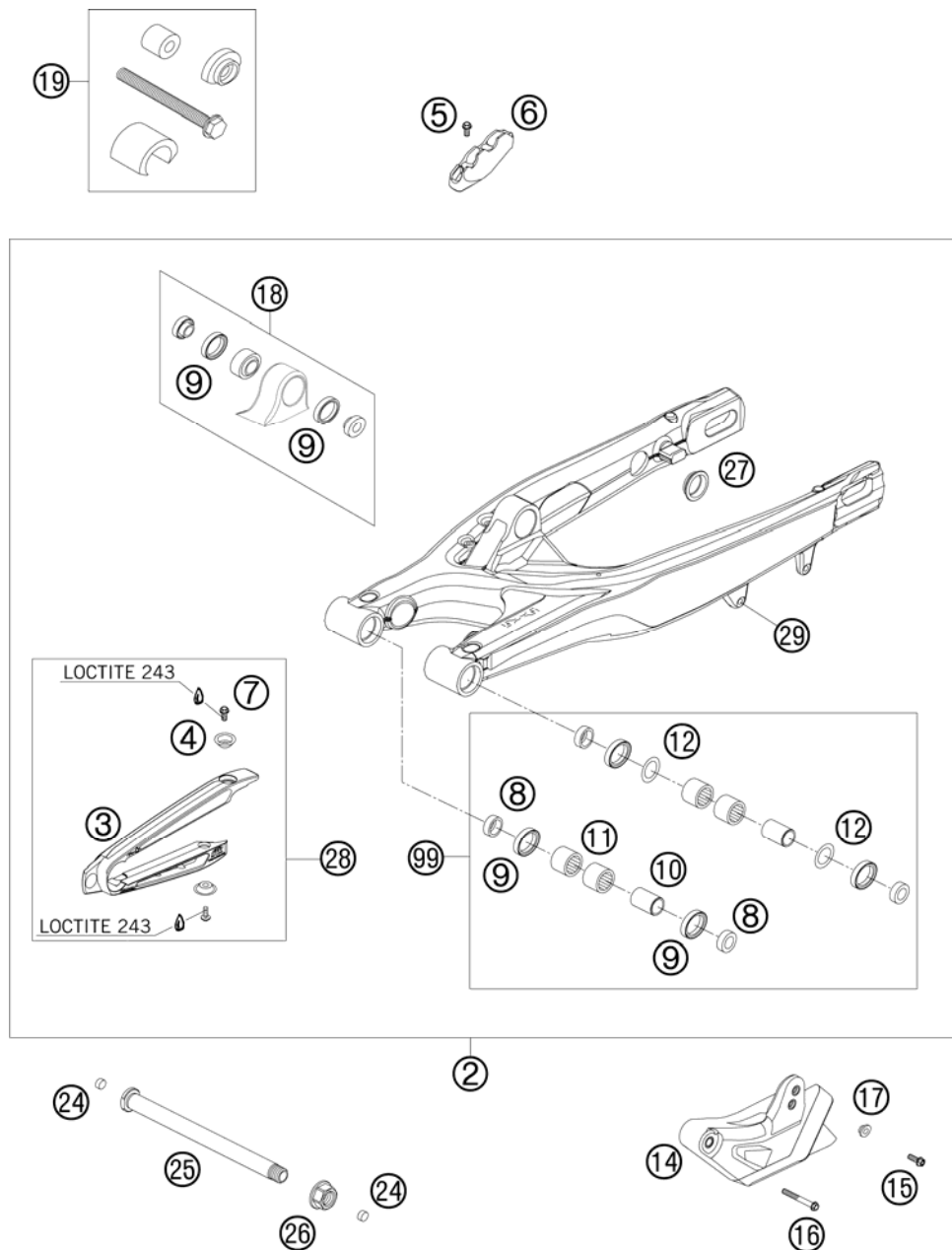
095030430 / C095030431

* NEW PART

X AS REQUIRED

SWING ARM

250 SX 2009



| FIG | PART NUMBER | DESCRIPTION | QTY |
|-----|-------------|--------------------------------|-----|
| 2 | 77304030044 | SWINGARM CPL. 07 | 1 |
| 3 | 77304066000 | CHAIN SLIDING PROTECTION | 1 |
| 4 | 77304066050 | BUSHING F. CHAIN SLIDING PR.07 | 2 |
| 5 | 0009050103 | SPECIAL SCREW M 5,0X10 | 2 |
| 6 | 77313047000 | BRAKE HOSE GUIDE LOWER 07 | 1 |
| 7 | 59009062013 | SPECIAL SCREW M6X13 WS=8 10.9 | 2 |
| 8 | 54804034000 | BUCKET F. SHAFT SEAL RING 03 | 4 |
| 9 | 0760253270 | SHAFT SEAL RING 25X32X7 | 6 |
| 10 | 54804032000 | BUSHING SLEEVE F. SWING ARM 03 | 2 |
| 11 | 58033097000 | NEEDLE BEARING HK 2216 | 4 |
| 12 | 54603036000 | STOP DISK 22,2X31,7X1 | 2 |
| 14 | 77304070100 | CHAIN GUIDE REAR CPL. 07 | 1 |
| 15 | 59009062019 | SPECIAL SCREW M6X19 WS=8 10.9 | 1 |
| 16 | 0025060456 | HH COLLAR SCREW M6X45 TX30 | 1 |
| 17 | 77304070130 | BUSH. F. CHAIN FAIL. PROT. 07 | 1 |
| 18 | 50304090044 | PIVOT BEARING+BUSHES PDS '99 | 1 |
| 19 | 50329000044 | TOOL BEARING MOUNTING PDS | 1 |
| 24 | 55009086000 | PLUG SFL13 | 2 |
| 25 | 77304037000 | SWINGARM BOLT M16X1,5 07 | 1 |
| 26 | 54804038000 | SELF LOCK.NUT M16X1,5 WS=19 03 | 1 |
| 27 | 58404041100 | CLOSING COVER ROUND 03 | 4 |
| 28 | 77304066010 | CHAIN GUARD CPL. 06 | 1 |
| 29 | 54603055051 | PRESS IN NUT M6 STEEL ZINC | 1 |
| 99 | 54804230210 | SWINGARM REPAIR KIT 05-07 | x |

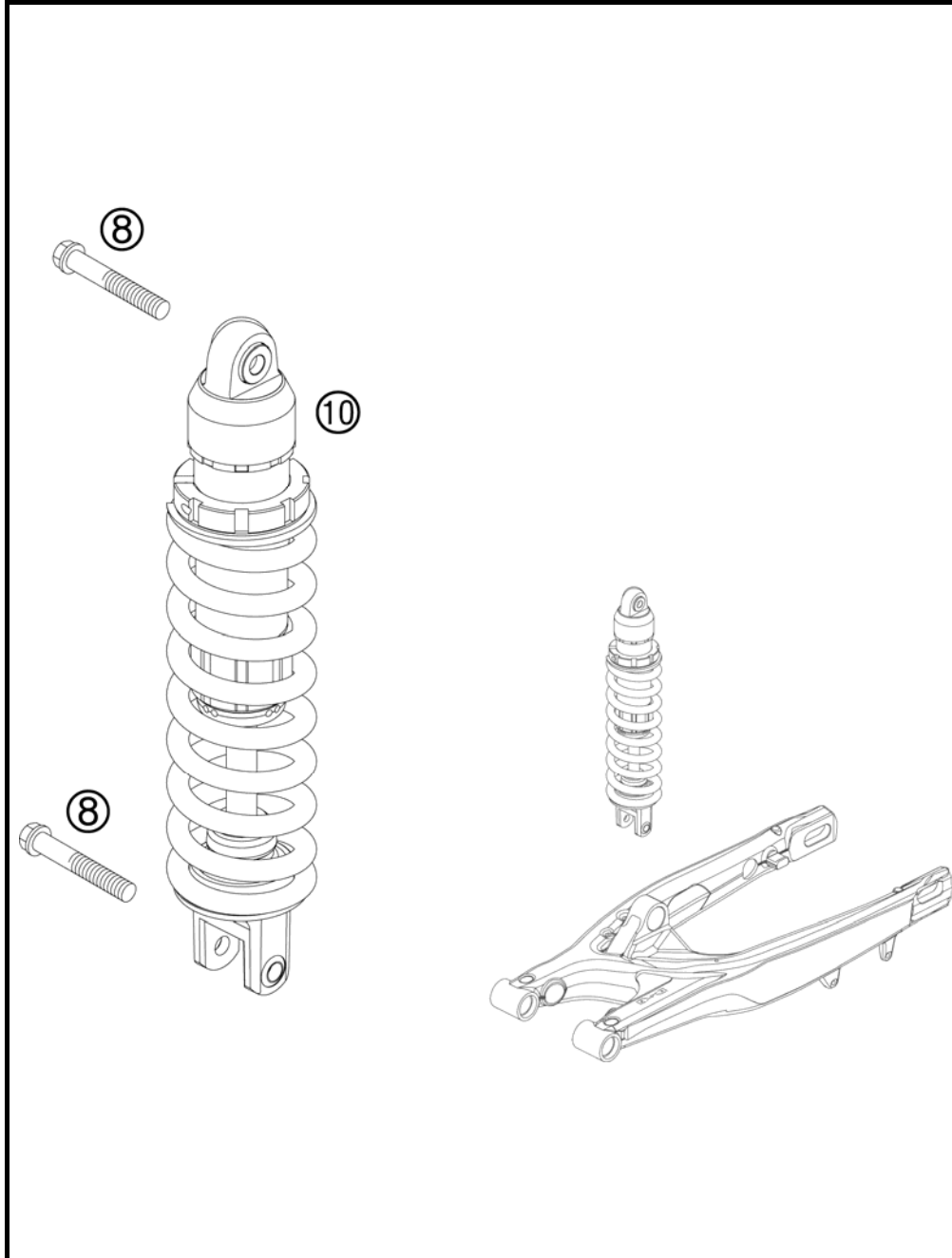
085030490 / C095030490

* NEW PART

X AS REQUIRED

SHOCK ABSORBER

250 SX 2009



| FIG | PART NUMBER | DESCRIPTION | QTY |
|-----|-------------|-------------------------------|-----|
| 8 | 0025120506S | HH COLLAR SCREW M12X50 TX45 | 2 |
| 10* | 12187E03 | MONOSH. PDS B07DA 250 SX-F 09 | 1 |

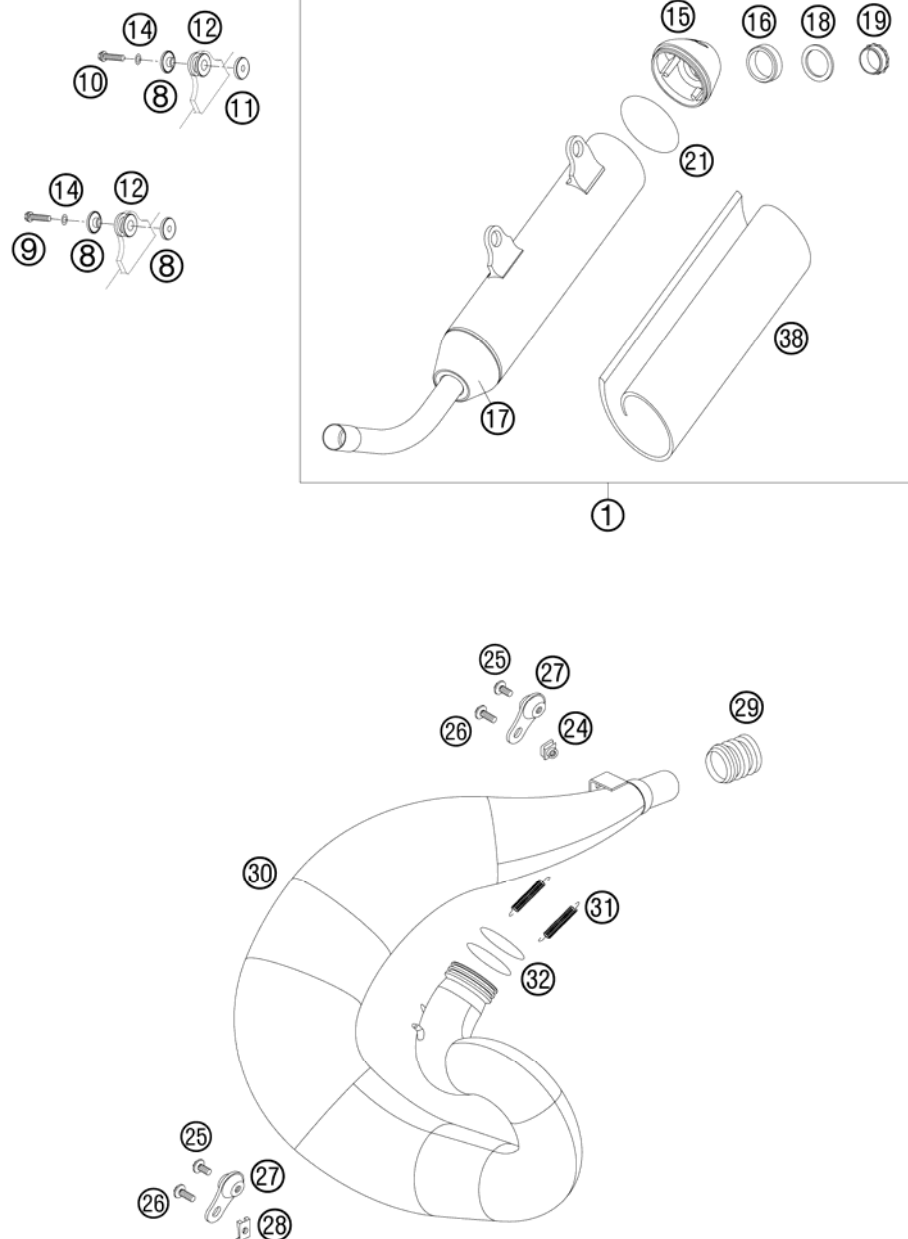
085030410 / C095480410

* NEW PART

X AS REQUIRED

EXHAUST SYSTEM

250 SX 2009

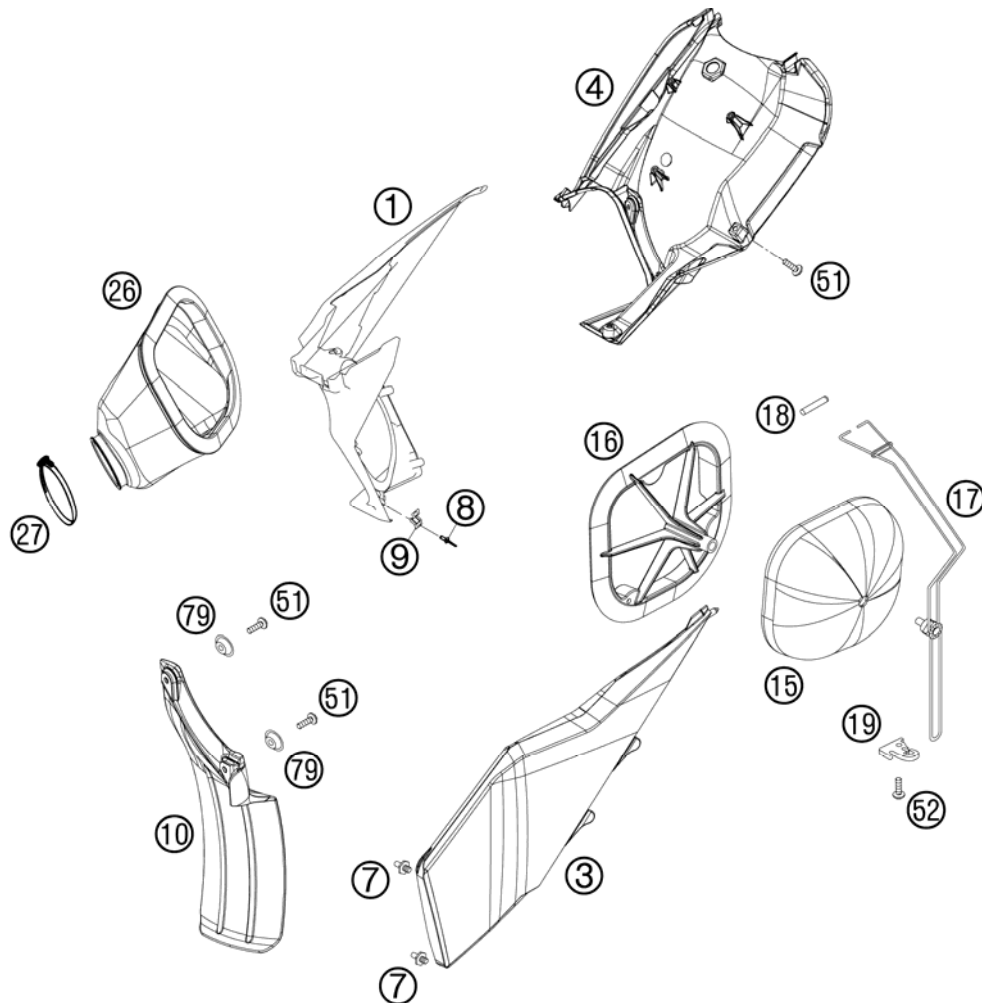


| FIG | PART NUMBER | DESCRIPTION | QTY |
|-----|-------------|--------------------------------|-----|
| 1 | 54805079100 | EXHAUST SILENCER SX 07 | 1 |
| 8 | 77305069000 | BUSHING 7.5x12x28x7.6 07 | 3 |
| 9 | 0025060306 | HH COLLAR SCREW M6X30 TX30 | 1 |
| 10 | 0025060356 | HH COLLAR SCREW M6X35 TX30 | 1 |
| 11 | 59405169000 | BUSHING SIL.-SMR REAR 2004 | 1 |
| 12 | 54605068000 | EXHAUST BRACKET RUBBER BLACK | 2 |
| 14 | 0137060003 | SPRING WASHER DIN0137-B 6 | 2 |
| 15 | 54805079052 | SILENCER ENDCAP 2-STROKE 2004 | 1 |
| 16 | 54805079150 | SILCENCER RUBBER 2-STROKE 2005 | 2 |
| 17 | 54805079060 | SILENCER CONNECTING-CAP 2004 | 1 |
| 18 | 54805083060 | SILENCER DISC 2004 | 1 |
| 19 | 54805079058 | SILENCER SCREW 2-STROKE 2004 | 1 |
| 21 | 0770055020 | O-RING 55,00X2,00 NBR70 | 2 |
| 24 | 50235033200 | SNAP-NUT HOLDER M6 KP 134 | 1 |
| 25 | 0024060106 | HH COLLAR SCREW M6X10 TX30 | 2 |
| 26 | 0024060156 | HH COLLAR SCREW M6X15 TX30 | 2 |
| 27 | 50305012000 | SWINGELEMENT FOR EXHAUST PIPE | 2 |
| 28 | 54603048100 | RANGE CHANGE METAL NUT M6 | 1 |
| 29 | 54605157000 | SILICON SLEEVE D=25/27MM | 1 |
| 30 | 54805007100 | EXHAUST PIPE 250 SX 2004 | 1 |
| 31 | 50305016000 | TEN.SPRING L=62MM EY.MOVEABLE | 2 |
| 32 | 0770440030 | O-RING 44,00X3,00 VITON | 2 |
| 38 | 54805079390 | STUFFING YARN SX 390 GR. 2007 | 1 |

095480511 / C095480510

* NEW PART

X AS REQUIRED



| FIG | PART NUMBER | DESCRIPTION | QTY |
|-----|---------------|--------------------------------|-----|
| 1 | 7730600101030 | FILTER WALL SX BLACK 07 | 1 |
| 3 | 7730600300030 | FILTER BOX COVER SX BLACK 07 | 1 |
| 4 | 77306001020 | REAR PART FILTER BOX 07 | 1 |
| 7 | 54806008051 | QUICK RELEASE-NIPPLE 03 | 2 |
| 8 | 54806108052 | BLIND RIVET 3,3X9,7 GROOVED 04 | 4 |
| 9 | 54806008050 | QUICK RELEASE-SPRING HANGER | 2 |
| 10 | 77306010000 | FENDER FOR FILTER BOX | 1 |
| 15 | 77306015000 | AIR FILTER 07 | 1 |
| 16 | 54806416000 | FILTER CARRIER 2S SX 07 | 1 |
| 17 | 77306017000 | FILTER SUPPORT CPL. 07 | 1 |
| 18 | 77306018000 | FILTER SUPPORT BUSH 07 | 1 |
| 19 | 77306019000 | FASTEN. DEVICE FILTER S. SX 07 | 1 |
| 26 | 54806426000 | CABURETOR CONNECTING 2S 07 | 1 |
| 27 | 51006027000 | HOSE CLAMP 50-70MM | 1 |
| 51 | 0017060204 | EJOT PT SCREW K60X20 ALU WS=6 | x |
| 52 | 0017060203 | EJOT PT SCREW K60X20 WS=6 | 1 |
| 79 | 77304066050 | BUSHING F. CHAIN SLIDING PR.07 | 2 |

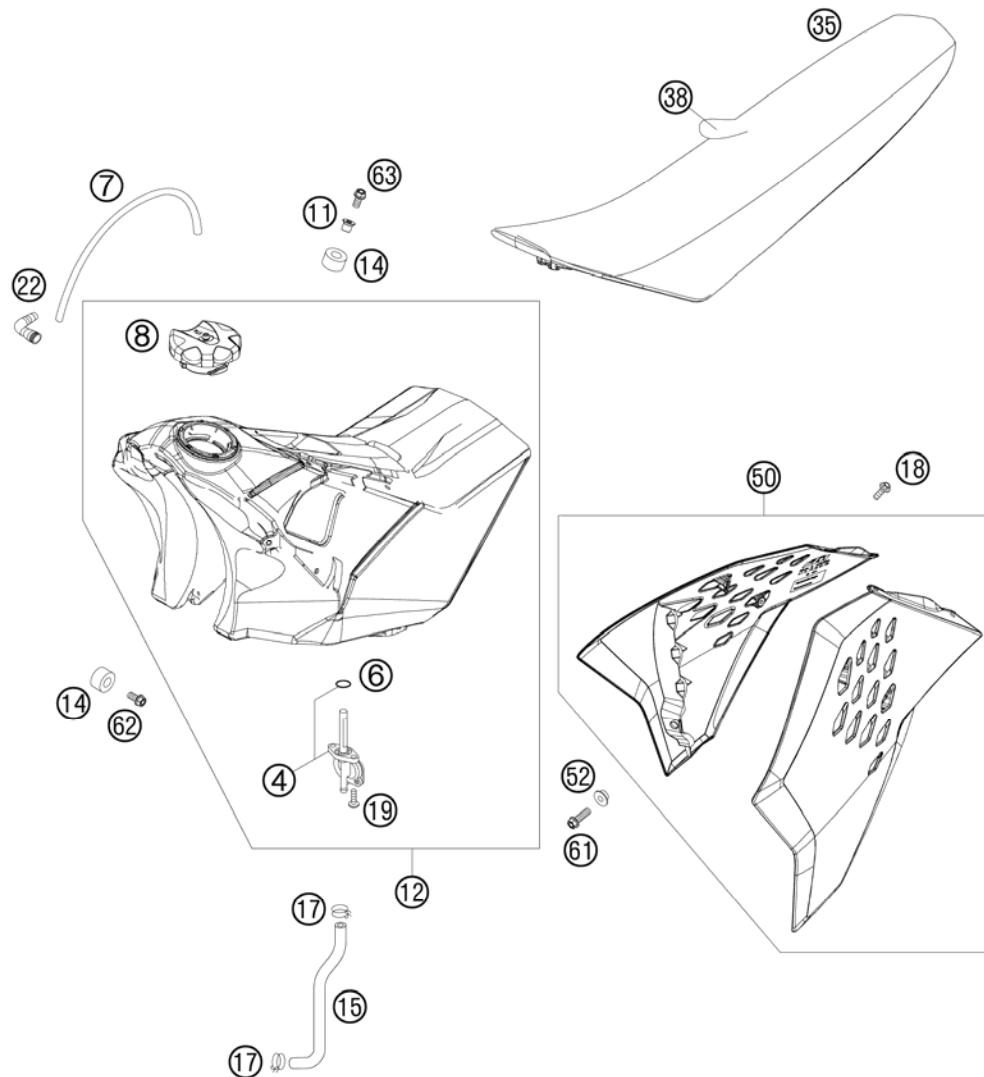
085230610 / C095030610

* NEW PART

X AS REQUIRED

TANK, SEAT, COVER

250 SX 2009

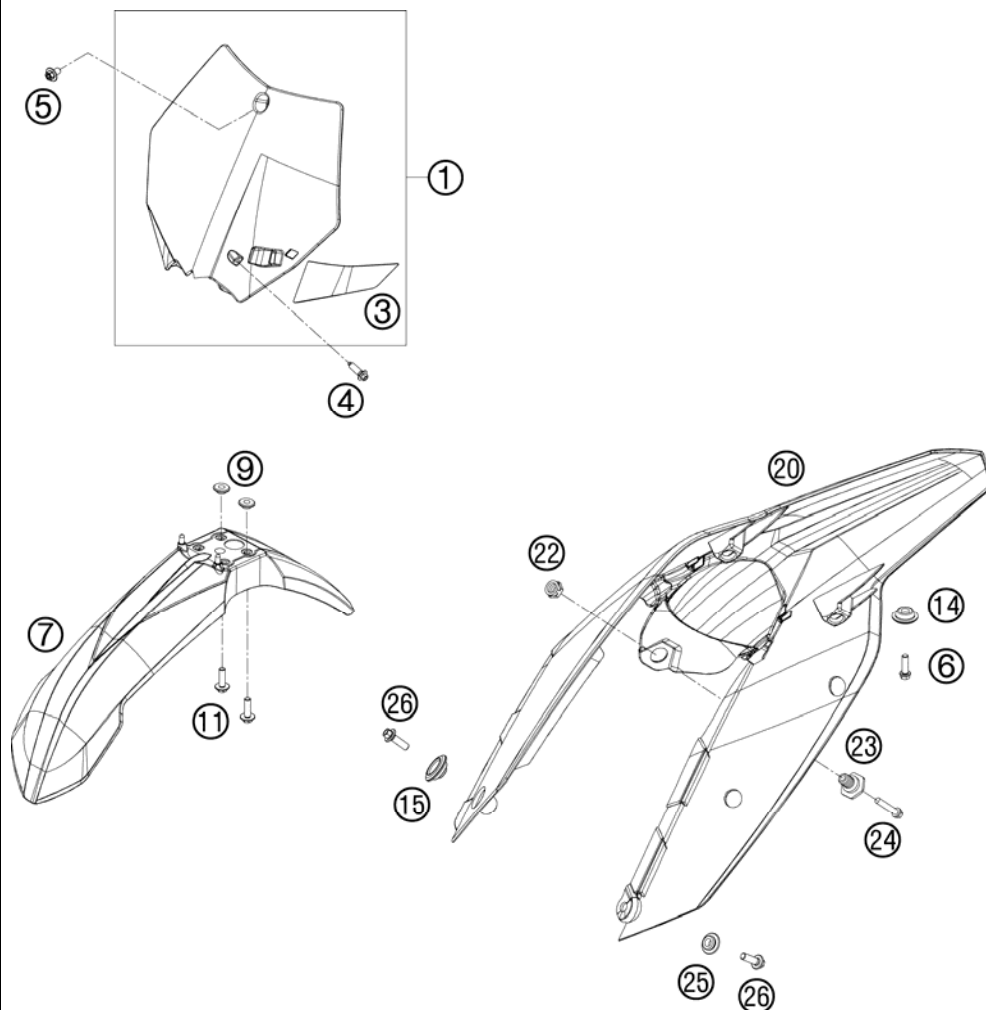


| FIG | PART NUMBER | DESCRIPTION | QTY |
|-----|----------------|---------------------------------------|-----|
| 4 | 50307005000 | GAS COCK MIKUNI ON/OFF 2001 | 1 |
| 6 | 0770130023 | O-RING 13,00X2,30 | 1 |
| 7 | 78007000270 | PVC-HOSE 5,6X10X270MM | 1 |
| 8 | 7800700804404 | TANK PLUG ORANGE/BLACK | 1 |
| 11 | 77307026000 | TANK BUSHING 07 | 1 |
| 12 | 7730701313330 | FUEL TANK CPL. SX 7,5L 08 | 1 |
| 14 | 50307014000 | TANK ROLLER 12X26X12 '98 | 3 |
| 15 | 54807016000 | FUEL PREFORMED HOSE 2STROKE 07 | 1 |
| 17 | 58031005000 | CLAMP YDNAC 10128 12MM | 2 |
| 18 | 0017060204 | EJOT PT SCREW K60X20 ALU WS=6 | 8 |
| 19 | 0017060203 | EJOT PT SCREW K60X20 WS=6 | 2 |
| 22 | 51030022000 | ANGLE PIECE 90 DEGREE M10X1 | 1 |
| 35 | 77307040000 | SEAT SX 07 | 1 |
| 38 | 77307040050 | SEAT COVER 07 | 1 |
| 50* | 7730805410030E | SPOILER KIT BLACK SX 09 WITH DECAL | 1 |
| 52 | 50308052000 | BUSH FOR SPOILER 6X11X16X5 MM | 2 |
| 61 | 0025060206 | HH COLLAR SCREW M6X20 TX30 | 2 |
| 62 | 0025060126 | HH COLLAR SCREW M6X12 TX30 | 2 |
| 63 | 0024060273 | COLLAR SCREW M6X27 TX | 1 |

095030711 / C095030710

* NEW PART

X AS REQUIRED



| FIG | PART NUMBER | DESCRIPTION | QTY |
|-----|---------------|-------------------------------|-----|
| 1 | 7730800704404 | NUMBER PLATE CPL. ORANGE 07 | 1 |
| 3 | 7730802200004 | BRAKE HOSE GUIDE ORANGE 07 | 1 |
| 4 | 0017060204 | EJOT PT SCREW K60X20 ALU WS=6 | 1 |
| 5 | 0024060106 | HH COLLAR SCREW M6X10 TX30 | 1 |
| 6 | 0025050166 | HH COLLAR SCREW M5X16 TX30 | 2 |
| 7 | 7730801000004 | FRONT FENDER 07 | 1 |
| 9 | 54808020000 | SPACER BUSHING 03 | 4 |
| 11 | 0024060206 | HH COLLAR SCREW M6X20 TX30 | 4 |
| 14 | 77308013010 | COLLAR BUSH. F.REAR FENDER 07 | 2 |
| 15 | 77306001030 | COLLAR BUSHING 4,5/12,6/23 | 1 |
| 20 | 7730801300004 | REAR FENDER SX ORANGE 07 | 1 |
| 22 | 50314057050 | COLLAR NUT M12X1/WS17 H=5MM | 1 |
| 23 | 54807048000 | BUSHING FOR SEAT FASTENING 03 | 1 |
| 24 | 0025060256 | HH COLLAR SCREW M6X25 TX30 | 1 |
| 25 | 50308052000 | BUSH FOR SPOILER 6X11X16X5 MM | 1 |
| 26 | 0025060206 | HH COLLAR SCREW M6X20 TX30 | 2 |

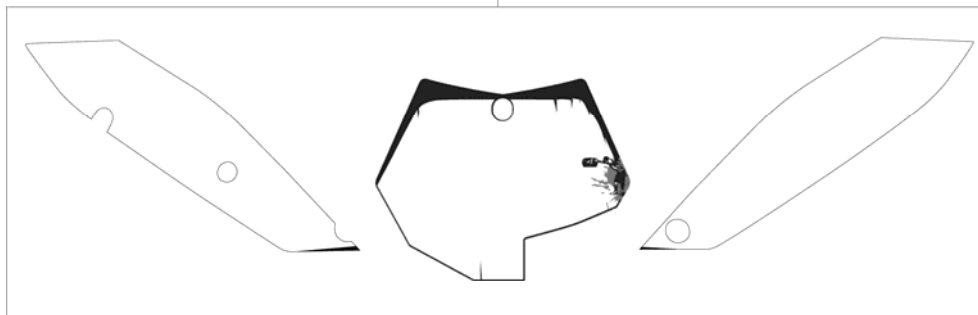
095480810 / C095480810

* NEW PART

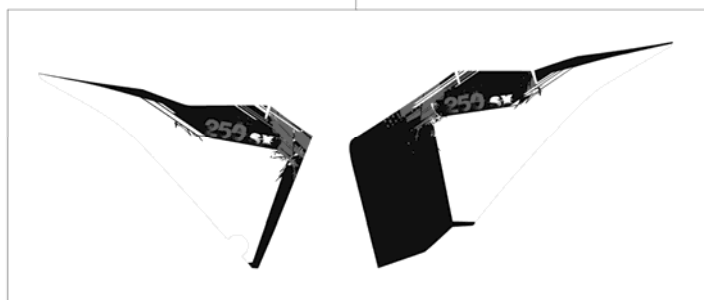
X AS REQUIRED

| FIG | PART NUMBER | DESCRIPTION | QTY |
|-----|-------------|------------------------------|-----|
| 1* | 54808099000 | DECAL KIT 09 | 1 |
| 2* | 54808391100 | DISPLACEM. STICKER 250 SX 09 | 1 |

①



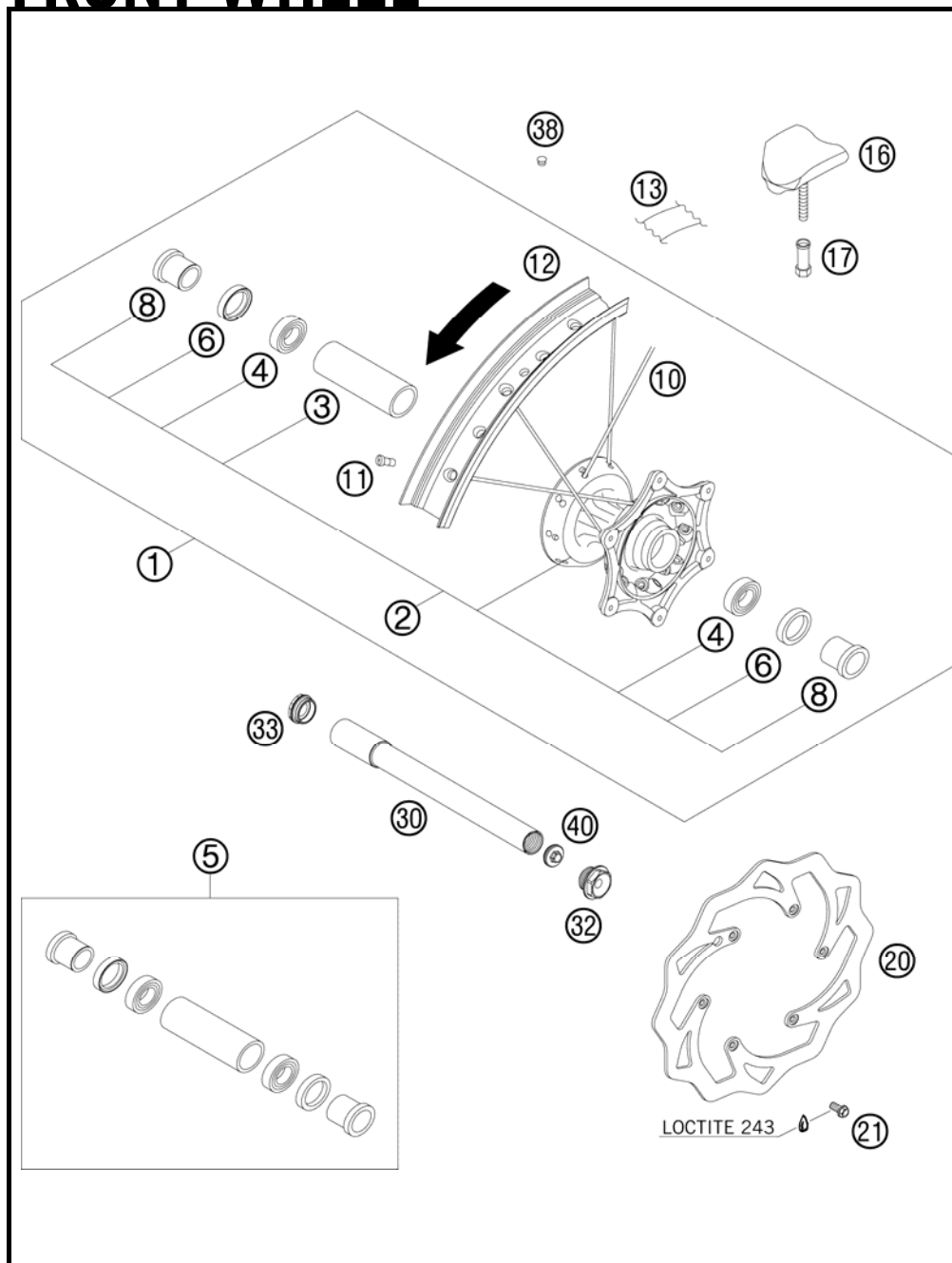
②



095480831 / C095480831

* NEW PART

X AS REQUIRED



| FIG | PART NUMBER | DESCRIPTION | QTY |
|-----|---------------|--------------------------------|-----|
| 1* | 7730900114430 | FRONTWHEEL CPL.1,6X21EXCEL 08 | 1 |
| 2 | 78009010044 | FRONT WHEEL HUB CPL. 08 | 1 |
| 3 | 54809011000 | BEA.SPACERTUBE 35X2 L=79,4 03 | 1 |
| 4 | 0625069068 | GR.BALL BEAR.6906 DDU2CG23S6NM | 2 |
| 5 | 77309015000 | FRONT WHEEL REP. KIT | 1 |
| 6 | 0760354771 | SHAFT SEAL RING 35X47X7 TC | 2 |
| 8 | 77309012000 | SPACER BUSHING 07 | 2 |
| 10* | 78009174226 | SPOKE M4,5x226-21" 08 | 36 |
| 11 | 50309072100 | SPOKE NIPPLE M4,5X0,75 8X21 | 36 |
| 12* | 7730907000030 | RIM 1,6"X21" EXCEL SXS 08 | 1 |
| 13 | 50309073000 | RIM BAND 21" | 1 |
| 16 | 51009100100 | RIM LOCK VM1 (1,60") | 1 |
| 17 | 50310090050 | NUT FOR WHEEL HOLDER '96 | 1 |
| 20 | 77309060000 | BRAKE DISC FRONT 260 | 1 |
| 21 | 59009062013 | SPECIAL SCREW M6X13 WS=8 10.9 | 6 |
| 30 | 77309081000 | WHEEL SPIN.FR. D=26 M24x1,5 07 | 1 |
| 32 | 54809082000 | SPINDLE SCREW M24X1,5 WS=27 03 | 1 |
| 33 | 54809081050 | PLUG BUSHING WS=27 03 | 1 |
| 38 | 55003135000 | PLUG FOR RIM | x |
| 40 | 54809081070 | AUXILIARY SCREW FRONT 06 | 1 |

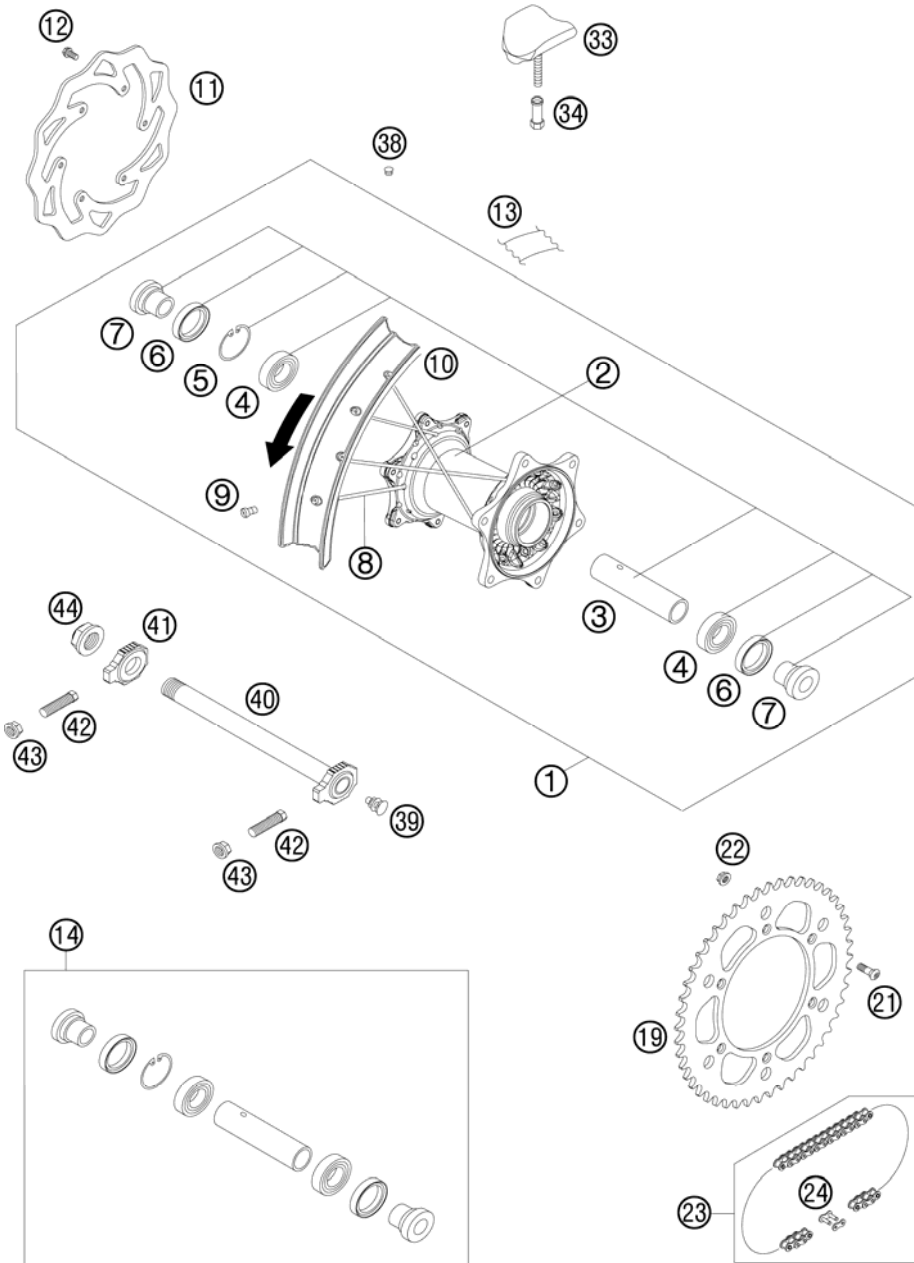
095030910 / C095030910

* NEW PART

X AS REQUIRED

REAR WHEEL

250 SX 2009



| FIG | PART NUMBER | DESCRIPTION | QTY |
|-----|---------------|--------------------------------|-----|
| 1* | 7731000114430 | REARWHEEL CPL.2,15X19 EXCEL 08 | 1 |
| 2 | 78010010044 | REAR HUB CPL. 08 | 1 |
| 3 | 59010011000 | BUSHING SPACER TUBE 121,5MM 01 | 1 |
| 4 | 0625060058 | GR.BALL BEAR.6005 DDU2CG23S6NM | 2 |
| 5 | 0472047175 | CIRCLIP DIN0472-47X1,75 | 1 |
| 6 | 0760324771 | SHAFT SEAL RING 32X47X7 BSL | 2 |
| 7 | 77310016000 | SPACER BUSHING 07 | 2 |
| 8* | 77310174206 | SPOKE M5x206-19" 08 | 36 |
| 9* | 58309072100 | SPOKE NIPPLE M5-TA 8X21MM | 36 |
| 10* | 7731007000030 | RIM 2,15"X19" EXCEL SXS 08 | 1 |
| 11 | 77310060000 | BRAKE DISC REAR 220 | 1 |
| 12 | 59009062013 | SPECIAL SCREW M6X13 WS=8 10.9 | 6 |
| 13 | 50310073200 | RIM BAND 18" AND 19" | 1 |
| 14 | 77310015000 | REAR WHEEL REP. KIT | 1 |
| 19 | 58310051038 | REAR SPROCKET 38-T | x |
| 19 | 58310051042 | REAR SPROCKET 42-T | x |
| 19 | 58310151040 | REAR SPROCKET 40-T | x |
| 19 | 58310151045 | REAR SPROCKET 45-T | x |
| 19 | 58310151048 | REAR SPROCKET 48-T | x |
| 19 | 58310151049 | REAR SPROCKET 49-T | x |
| 19 | 58310151050 | REAR SPROCKET 50-T | x |
| 19 | 58310151051 | REAR SPROCKET 51-T | x |
| 19 | 58310151052 | REAR SPROCKET 52-T | x |
| 21* | 0019080266S | COUNTER-SUNK SCREW ISA45 M8X26 | 6 |
| 22 | 54310086200 | SELF LOCKING NUT M8 10.9 | 6 |
| 23 | 50310165118 | CHAIN 5/8X1/4" MX | 1 |
| 24 | 50310166000 | CONNECTING LINK F. 50310165118 | 1 |
| 33 | 54010100100 | RIM LOCK VM3 (2.15") | 2 |
| 34 | 50310090050 | NUT FOR WHEEL HOLDER '96 | 2 |
| 38 | 55003135000 | PLUG FOR RIM | x |
| 39 | 50210086000 | COVERING CAP SFL16 | x |
| 40 | 77310085044 | WHEEL SPINDLE RE. CPL.265MM 07 | 1 |
| 41 | 50310084000 | CHAIN TENSIONER R/S 2000 | 1 |
| 42 | 50304040100 | SCREW M10X1,25X50 WS=10 | 2 |
| 43 | 58414030000 | HH COLLAR NUT M10X1,25 WS=13 | 2 |
| 44 | 50310099000 | HEXAGON NUT M20X1,5 '98 | 1 |

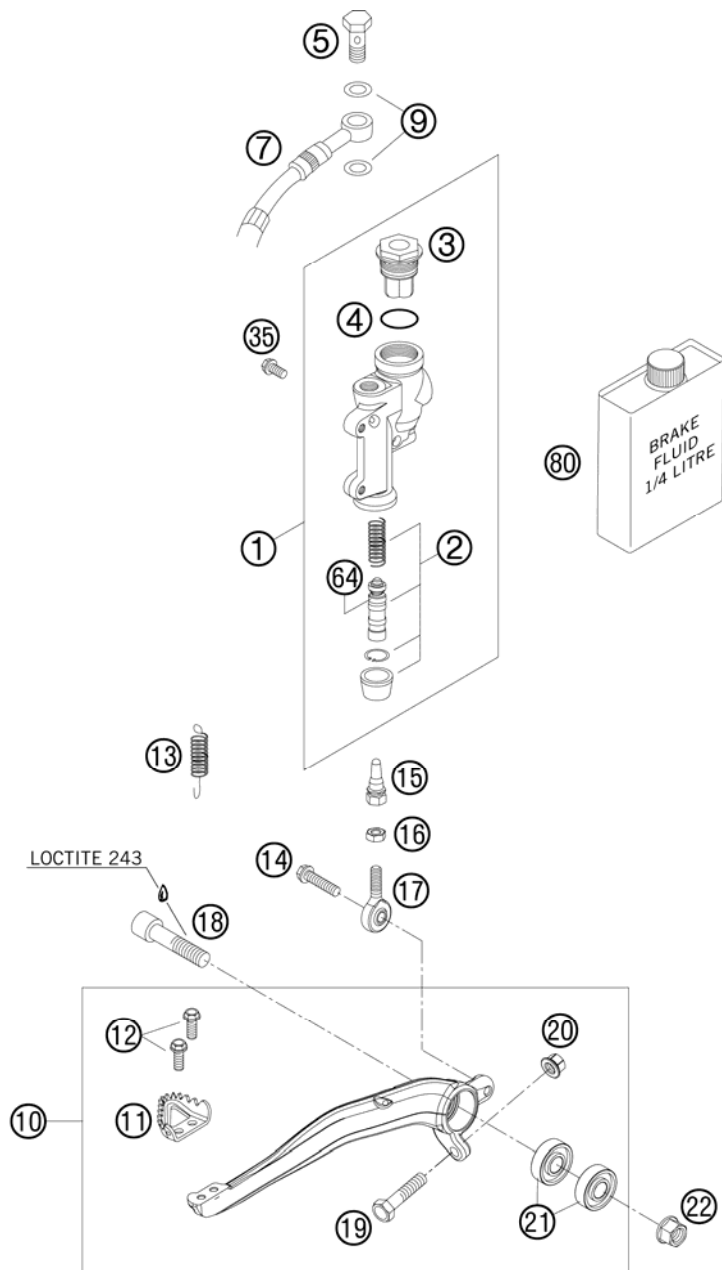
085231010 / C095031010

* NEW PART

X AS REQUIRED

REAR BRAKE CONTROL

250 SX 2009



| FIG | PART NUMBER | DESCRIPTION | QTY |
|-----|-------------|-------------------------------|-----|
| 1 | 54813060100 | REAR BRAKE CYLINDER CPL. 2004 | 1 |
| 2 | 54813061200 | REPAIR KIT PISTON 13MM 06 | 1 |
| 3 | 54813062100 | REAR BRAKE CYL. COVER CPL. 04 | 1 |
| 4 | 54813063000 | FOOT-BRAKE CYL. GASKET SX 03 | 1 |
| 5 | 54813020100 | HOLLOW SCREW BLACK M10X1X19 | 1 |
| 7 | 54813070000 | BRAKE HOSE REAR 655MM 03 | 1 |
| 9 | 0603100141 | COPPER GASKET DIN7603-10X14X1 | 2 |
| 10 | 78013050044 | FOOT BRAKE LEVER CPL. | 1 |
| 11 | 54813051000 | STEP PLATE FOR BRAKE LEVER | 1 |
| 12 | 0025050126 | HH COLLAR SCREW M5x12 TX30 | 2 |
| 13 | 54603062000 | RETURN SPRING FOR BRAKE LEVER | 1 |
| 14 | 0025060206S | HH COLLAR SCREW M6X20 TX30 | 1 |
| 15 | 54813056000 | PUSH ROD L=28MM 03 | 1 |
| 16 | 0985060003 | SELF LOCK. NUT DIN0985-M 6 | 1 |
| 17 | 54813055000 | SWIVEL HEAD KA6 03 | 1 |
| 18 | 0912100406 | AH SCREW DIN6912 M10X40 10.9 | 1 |
| 19 | 59001037000 | SPECIAL SCREW M8X26 WS=10 | 1 |
| 20 | 46030045000 | COLLAR NUT M8 WS=10 | 1 |
| 21 | 0625060002 | BALL BEARING SKF 6000-2RS1 | 2 |
| 22 | 54630044000 | COLLAR NUT M10 WS=13 | 1 |
| 35 | 0025060126 | HH COLLAR SCREW M6X12 TX30 | 2 |
| 64 | 54813064200 | BELLOWS FOR REPAIR KIT 06 | 1 |
| 80 | 00062030000 | BRAKE FLUID DOT5.1 0,25L | 1 |

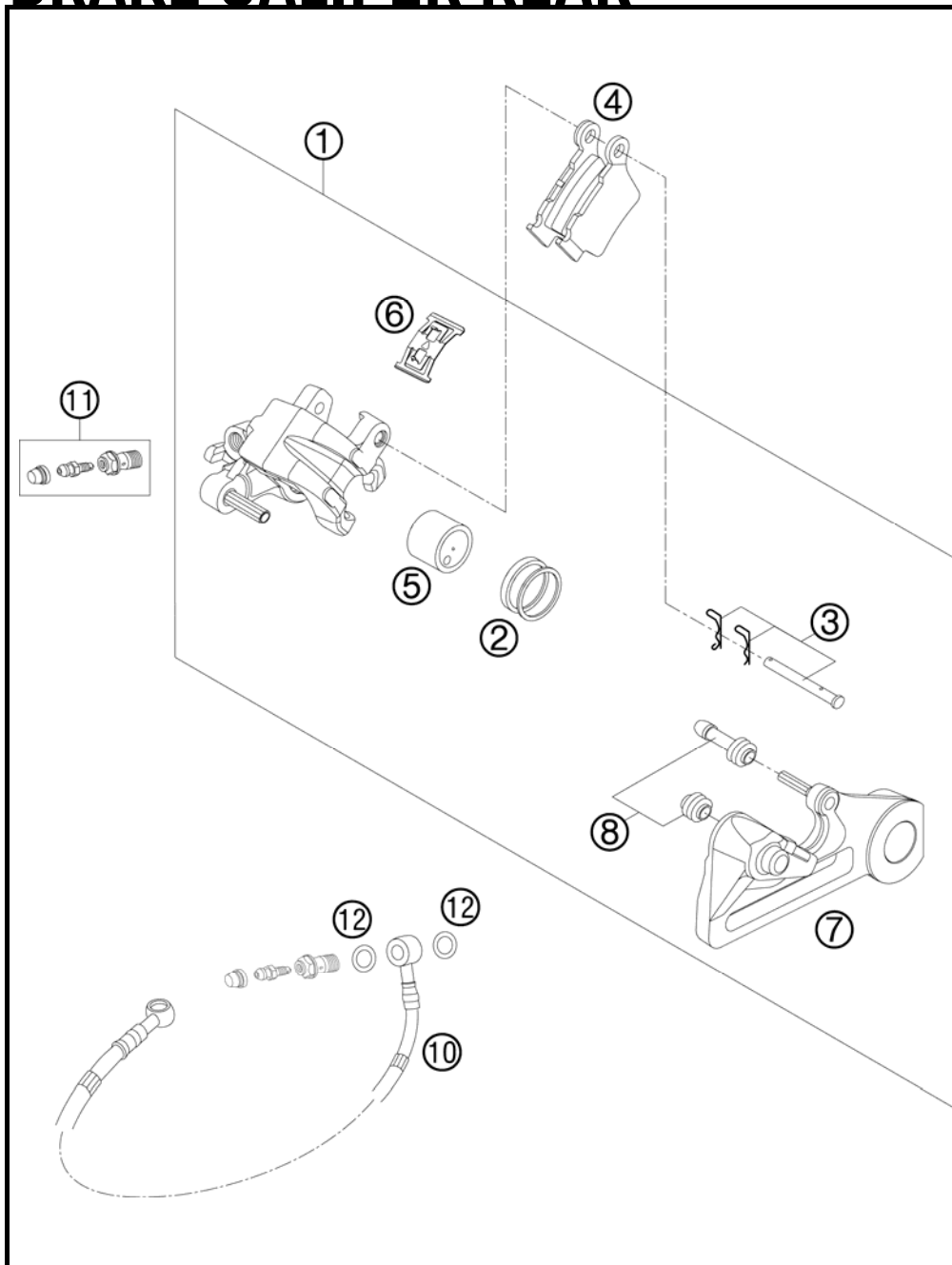
085031330 / C095031330

* NEW PART

X AS REQUIRED

BRAKE CALIPER REAR

250 SX 2009



| FIG | PART NUMBER | DESCRIPTION | QTY |
|-----|-------------|-------------------------------|-----|
| 1 | 54813080101 | BRAKE CAL. RE. - WITHOUT PADS | 1 |
| 2 | 50313081200 | REPAIR KIT SEALING RINGS 26MM | 1 |
| 3 | 54813082000 | BOLT SET FOR BRAKE CALIPER 03 | 1 |
| 4 | 54813090300 | BRAKE PAD SET REAR TOYO | 1 |
| 5 | 54813083000 | BRAKE PISTON 26MM 2003 | 1 |
| 6 | 54813018000 | RETAINING SPRING SET 2003 | 1 |
| 7 | 54813075000 | BRAKE CALIPER SUPPORT REAR | 1 |
| 8 | 54613218000 | CUP SET SHORT | 1 |
| 10 | 54813070000 | BRAKE HOSE REAR 655MM 03 | 1 |
| 11 | 62513020000 | BLEEDER SCREW CPL. 05 | 1 |
| 12 | 0603100141 | COPPER GASKET DIN7603-10X14X1 | 2 |

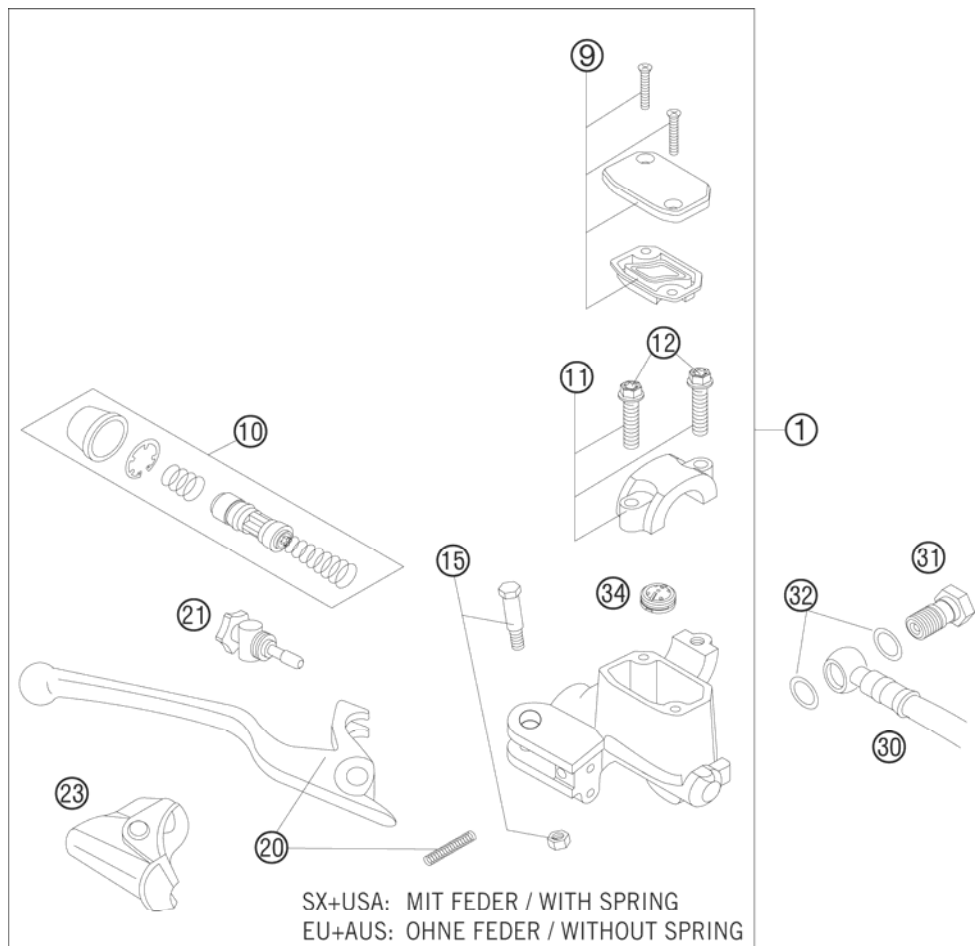
095031390 / C095031390

* NEW PART

X AS REQUIRED

HAND BRAKE CYLINDER

250 SX 2009



| FIG | PART NUMBER | DESCRIPTION | QTY |
|-----|-------------|----------------------------------|-----|
| 1* | 77013001044 | HAND BRAKE CYLINDER CPL. SX 09 | 1 |
| 9 | 50313003000 | HANDBRAKE CYL. COVER CPL. NATURE | 1 |
| 10* | 54813008300 | REP. SET PISTON D=12MM 2009 | 1 |
| 11 | 50313005000 | CLAMP CPL. NATURE | 1 |
| 12 | 0025060256 | HH COLLAR SCREW M6X25 TX30 | 2 |
| 15 | 50313006100 | LEVER SCREW CPL. 2001 | 1 |
| 20* | 54813002200 | HAND BRAKE LEVER + SPRING 2009 | 1 |
| 21* | 54813007300 | ADJUSTING SCREW CPL. SX 2009 | 1 |
| 23 | 50313004000 | PROTECTION CAP HAND BRAKE CYL. | 1 |
| 30 | 59013010000 | BRAKEHO. FRONT 1235MM 2000 | 1 |
| 31* | 54813020200 | HOLLOW SCREW 08 | 1 |
| 32 | 0603100141 | COPPER GASKET DIN7603-10X14X1 | 2 |
| 34* | 54802051000 | VALVE | 1 |
| 80 | 00062030000 | BRAKE FLUID DOT5.1 0,25L | 1 |

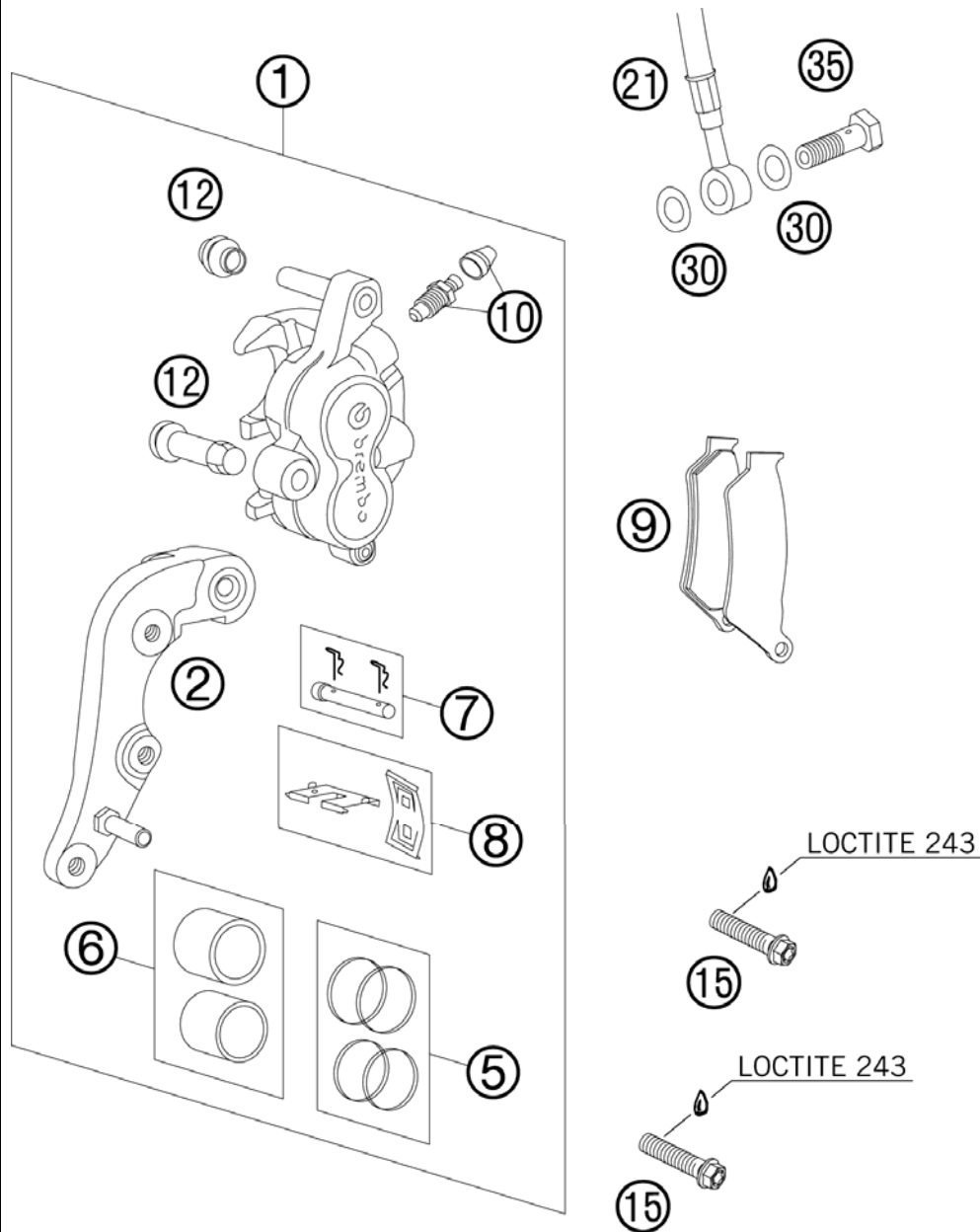
097701310 / C097701310

* NEW PART

X AS REQUIRED

BRAKE CALIPER FRONT

250 SX 2009



| FIG | PART NUMBER | DESCRIPTION | QTY |
|-----|---------------|--------------------------------|-----|
| 1* | 7701301500101 | CALIPER NAT. WITHOUT PADS | 1 |
| 2* | 77013014000 | BRAKE CALIPER SUPPORT FRONT 09 | 1 |
| 5* | 77013021000 | REP. KIT SEALS 24MM | 1 |
| 6* | 77013019000 | REP. KIT PISTON 24MM | 1 |
| 7* | 77013017000 | BOLT CPL. 09 | 1 |
| 8* | 77013018000 | RETAINING PLATE SET BREMBO | 1 |
| 9* | 77013020000 | BRAKE PADS FRONT TOYO B153 | 1 |
| 10* | 61013020100 | BLEEDER SCREW WITH CAP | 1 |
| 12 | 54613218000 | CUP SET SHORT | 1 |
| 15 | 0025080356S | HH COLLAR SCREW M8X35 TX40 | 2 |
| 21 | 59013010000 | BRAKEHO. FRONT 1235MM 2000 | 1 |
| 30 | 0603100141 | COPPER GASKET DIN7603-10X14X1 | 2 |
| 35 | 50213025000 | HOLLOW SCREW M10X1X19 | 1 |

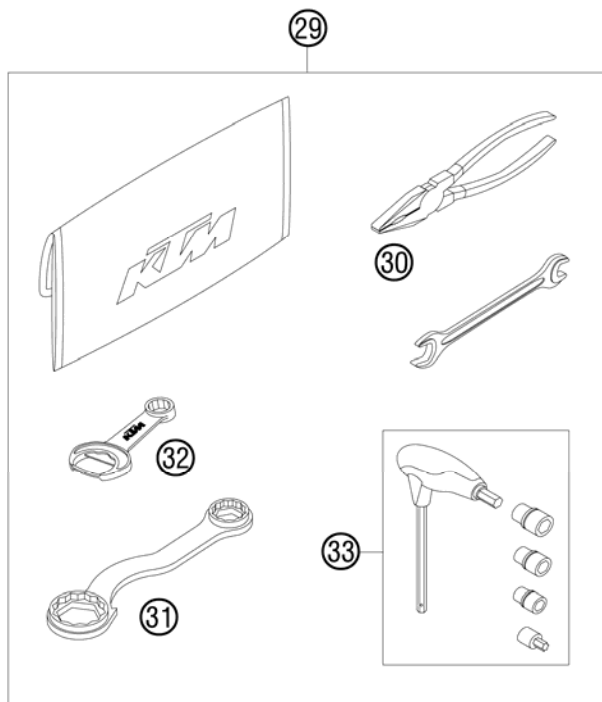
097701361 / C097701360

* NEW PART

X AS REQUIRED

①
OHNE ABBILDUNG
WITHOUT ILLUSTRATION

①
TECHNISCHE DOKUMENTATION
TECHNICAL DOCUMENTATION
DOCUMENTACION TECNICA
DOCUMENTATION TECHNIQUE
NOTE TECNICHE



| FIG | PART NUMBER | DESCRIPTION | QTY |
|-----|---------------|-------------------------------|-----|
| 0 | 312305 | DOCUMENTS BAG 2006 | 1 |
| 0 | 312313 | KTM BALLPOINT ORANGE | 1 |
| 0 | 3210039 | CUSTOMER WELCOME LETTER | 1 |
| 0 | 5030314013390 | FOOTREST L.+R. CPL. 03 | 1 |
| 0 | 77303094100 | PLASTIC FRAME PROTECTION SET | 1 |
| 1* | 3211347EN | OWNERS MANUAL 125-250 SX 2009 | 1 |
| 1* | 3CF630110EN | SPM CHASSIS 250 SX 2009 | 1 |
| 1* | 3CM083630IEN | SPM ENGINE 250 SX 2009 | 1 |
| 29 | 54829099000 | ORIGINAL EQUIPMENT TOOL KIT | 1 |
| 30 | 53012028200 | GRIP ORANGE B&F | 1 |
| 31 | 50329080100 | WRENCH SW=17/21/27/32 B&F | 1 |
| 32 | 50329071000 | WRENCH WS=13/17 | 1 |
| 33 | 60029070200 | T-WRENCH WS=6/8/10 TX=45 B&F | 1 |

085032001 / C095482001

* NEW PART

X AS REQUIRED





KTM-Sportmotorcycle AG
A-5230 Mattighofen
www.ktm.at

KTM Group Partner



3CF630110EN



Art.Nr.: 3CF630110EN 4/2008