

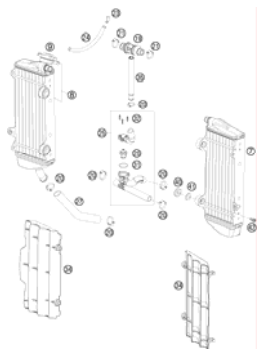

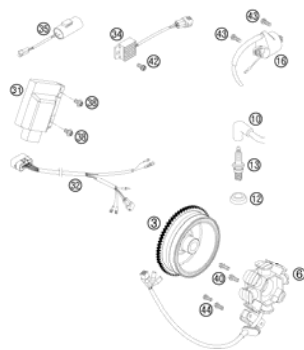
250 EXC EUR/AUS 2008

SPARE PARTS MANUAL: ENGINE

ART.NO.: 3CM083680HEN

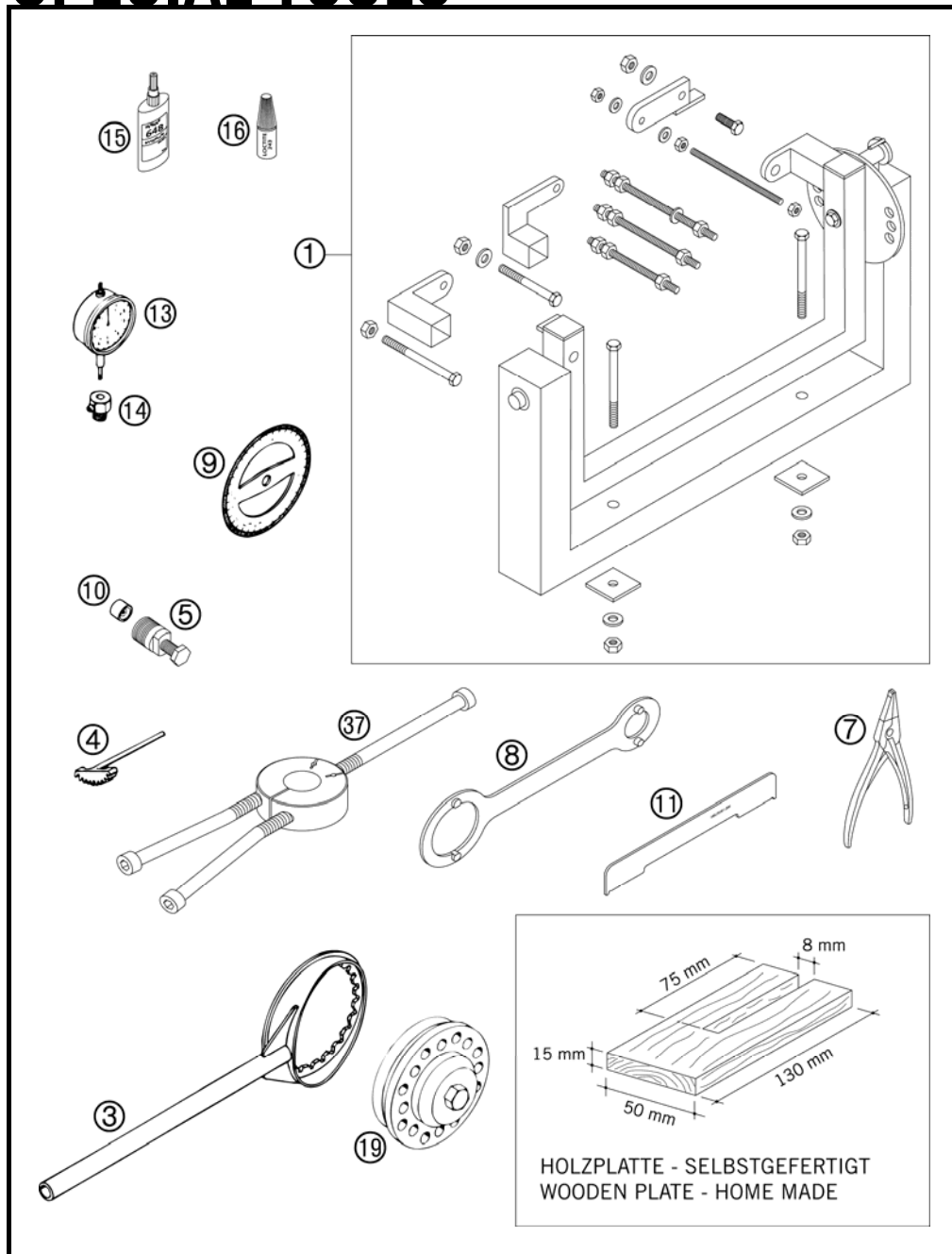
ENGLISH



| | | | |
|--|---|---|--|
| <p>COOLING SYSTEM</p>  <p style="text-align: right;">16</p> | <p>EXHAUST CONTROL</p>  <p style="text-align: right;">17</p> | <p>IGNITION SYSTEM</p>  <p style="text-align: right;">19</p> | |
| | | | |
| | <div style="display: flex; align-items: center;"> <div style="background-color: #cccccc; padding: 10px; margin-right: 10px; text-align: center;"> ! </div> <div> <p>All information contained is without obligation. KTM-Sportmotorcycle AG particularly reserves the right to modify any equipment, technical specifications, prices, colors, shapes, materials, services, service work, constructions, equipment and the like so as to adapt them to local conditions or to cancel any of the above items, all without previous announcement and without giving reasons. KTM may stop manufacturing certain models without previous notice. KTM shall not be held liable for any deviations of availability and/or ability to deliver, illustrations, descriptions, printing and/or other errors. The illustrated models partly contain extra equipment, which is not applied to standard models. © by KTM-SPORTMOTORCYCLE AG, Mattighofen AUSTRIA; All rights reserved; Reprint, also in extracts, with written allowance of KTM-SPORTMOTORCYCLE AG, Mattighofen only.</p> </div> </div> | | |

SPECIAL TOOLS

250 EXC EUR/AUS 2008



| FIG | PART NUMBER | DESCRIPTION | QTY |
|-----|-------------|--------------------------------|-----|
| 1 | 56012001044 | UNIVERSAL MOUNTING RACK CPL. | 1 |
| 3 | 54629003000 | CLUTCH HOLDER 250 '90 | 1 |
| 4 | 56012004000 | GEAR WHEEL SEGMENT | 1 |
| 5 | 54629009044 | MAGNETIC PULLER M 27X1 KOKUSAN | 1 |
| 7 | 51012011000 | SPECIAL CIRCLIP PLIER | 1 |
| 8 | 54629012100 | HOLD. SPANNER ROTOR 2K-1/2/3/4 | 1 |
| 9 | 51012014000 | TIMING DEGREE DISC | 1 |
| 10 | 51012016000 | PROTECTION CAP CRANKSHAFT M12 | 1 |
| 11 | 54829001000 | ADJUSTING PLATE 250 03 | 1 |
| 13 | 50112013000 | DIAL GAUGE 0-10MM | 1 |
| 14 | 50112030000 | DIAL GAUGE SUPPORT | 1 |
| 15 | 58429059000 | LOCTITE 648 GREEN 24ML | 1 |
| 16 | 6899785 | LOCTITE 243 BLUE 6CCM | 1 |
| 19 | 54629027000 | RIVETTING TOOL FOR CLUTCH | 1 |
| 37 | 58429037043 | MOUNTING TOOL F.BEARING NJ 207 | 1 |

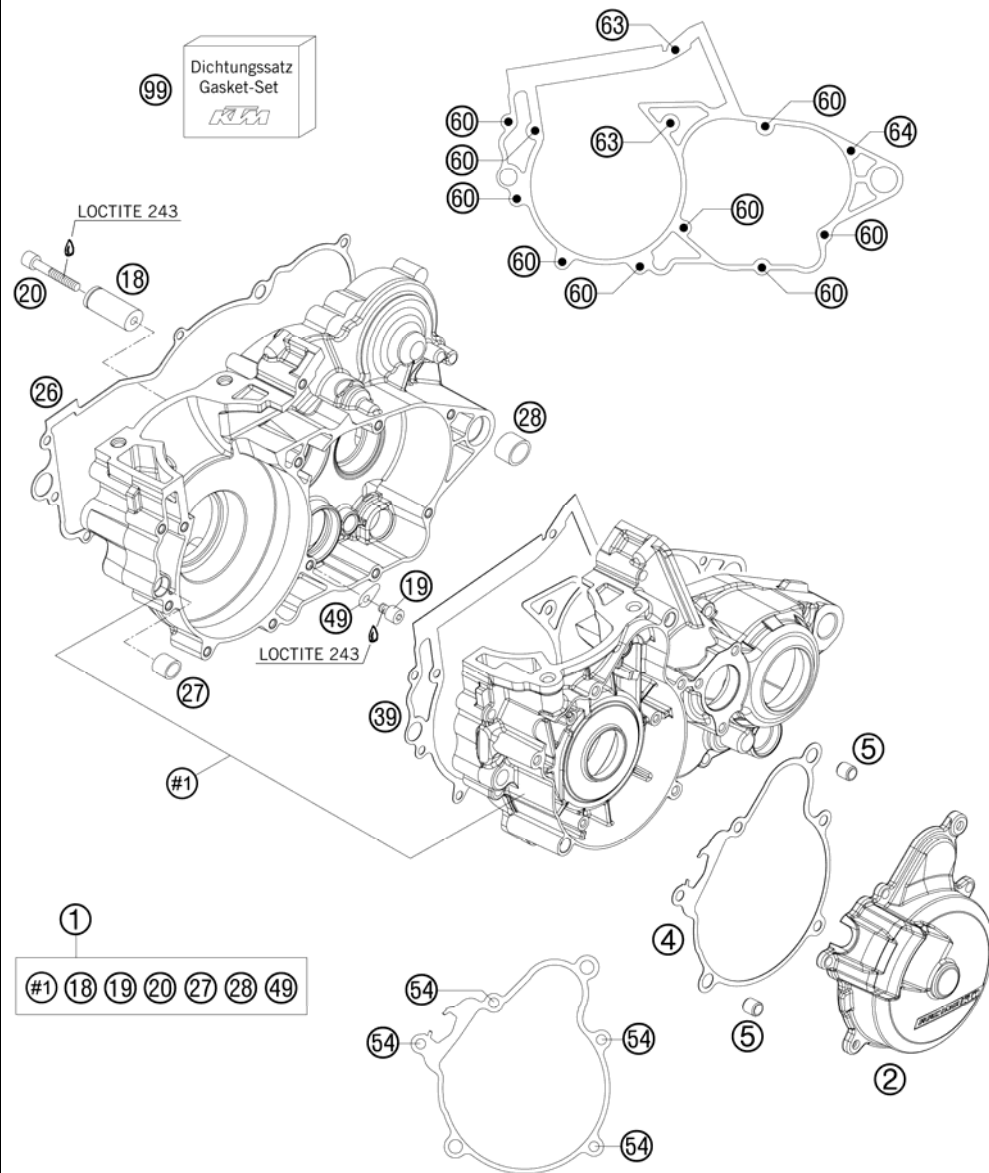
05548290 / C085482911

* NEW PART

X AS REQUIRED

ENGINE CASE

250 EXC EUR/AUS 2008



| FIG | PART NUMBER | DESCRIPTION | QTY |
|-----|-------------|-----------------------------|-----|
| 1* | 55130000144 | ENGINE CASE CPL. 250/300 08 | 1 |
| 2* | 55130102000 | IGNITION COVER 250/300 08 | 1 |
| 4* | 55130040000 | IGNITI.COVER GASKET 07 | 1 |
| 5* | 49030090000 | DOWEL 9,8 X 7 X 10 | 2 |
| 18 | 59033018000 | BUSHING PIN 2000 | 1 |
| 19 | 0912060083 | AH SCREW DIN0912-M 6X 8 | 1 |
| 20 | 0912060404 | AH SCREW DIN0912-M 6X40 A2 | 1 |
| 26 | 54830024000 | CLUTCH COVER GASKET 2003 | 1 |
| 27 | 54630027000 | DOWEL BUSHING 13,8X11X12 | 1 |
| 28 | 54830027000 | DOWEL 21X12 03 | 1 |
| 39 | 54830039000 | ENGINE CASE GASKET 2003 | 1 |
| 49 | 54634049000 | RETAINING PLATE | 1 |
| 54* | 0015060163 | HH COLLAR SCREW M 6X16 WS=8 | 4 |
| 60 | 0015060403 | HH COLLAR SCREW M 6X40 WS=8 | 9 |
| 63 | 0015060553 | HH COLLAR SCREW M 6X55 WS=8 | 2 |
| 64 | 0015060603 | HH COLLAR SCREW M 6X60 WS=8 | 1 |
| 99* | 55130099000 | GASKET SET 250 08 | 1 |

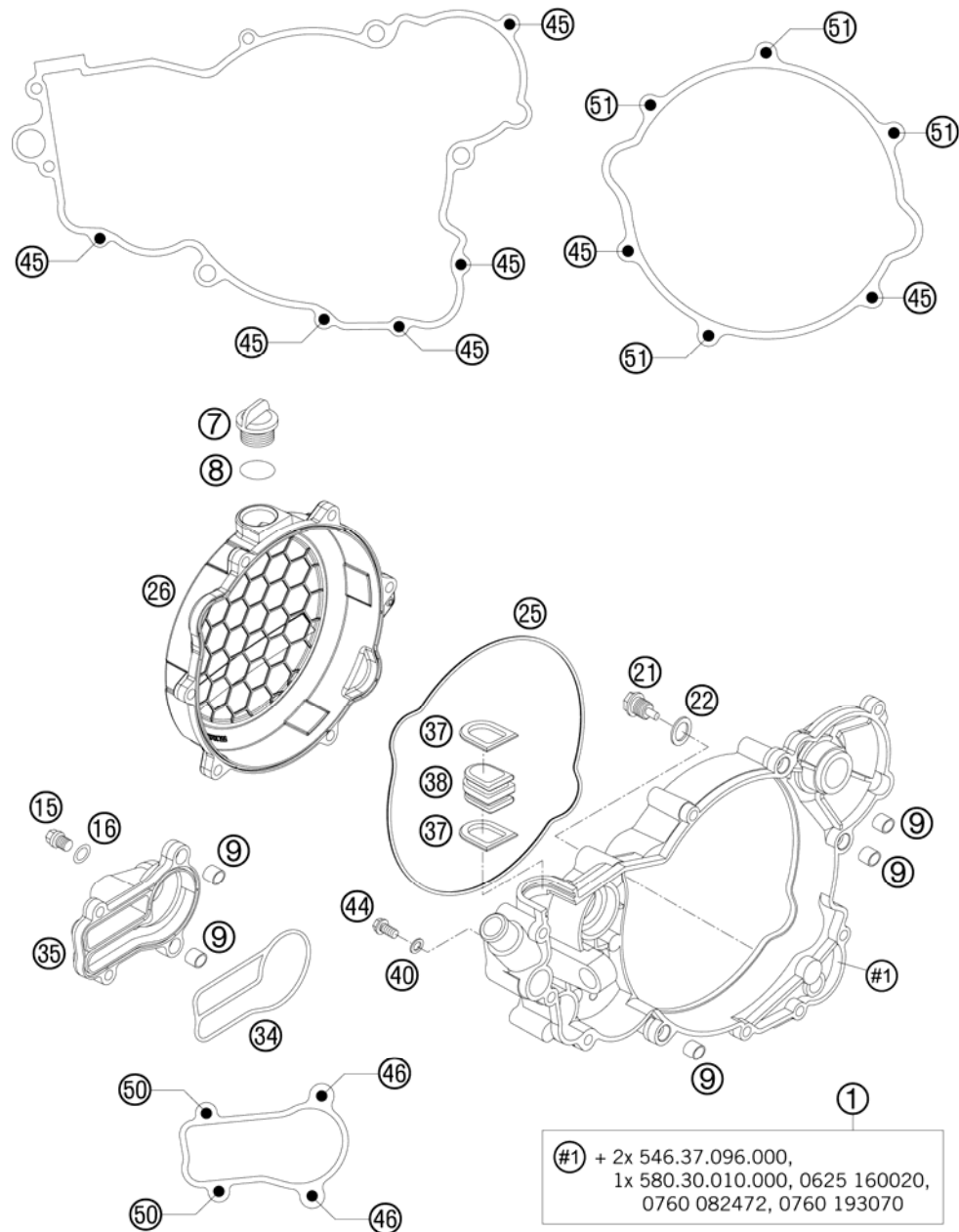
085483011 / C085483011

* NEW PART

X AS REQUIRED

CLUTCH COVER

250 EXC EUR/AUS 2008



#1 + 2x 546.37.096.000,
1x 580.30.010.000, 0625 160020,
0760 082472, 0760 193070

| FIG | PART NUMBER | DESCRIPTION | QTY |
|-----|-------------|--------------------------------|-----|
| 1 | 54830001044 | INTERM. CLUTCH COVER CPL. 03 | 1 |
| 7 | 58030020000 | PLUG M 24X3 | 1 |
| 8 | 0770191015 | O-RING 19,00X3,00 NBR | 1 |
| 9 | 49030090000 | DOWEL 9,8 X 7 X 10 | 5 |
| 15 | 0910100003 | PLUG DIN0910-M 10X1 | 1 |
| 16 | 0603100141 | COPPER GASKET DIN7603-10X14X1 | 1 |
| 21 | 58030021000 | OILDRAIN PLUG W.MAG. M 12X1,5 | 1 |
| 22 | 58038022000 | CU-SEAL RING DIN7603-12X18X1,5 | 1 |
| 25 | 54830025000 | GASKET F. CLU.COVER 250/300 03 | 1 |
| 26* | 55130026000 | CLUTCH COVER OUTSIDE | 1 |
| 34 | 54835003000 | GASKET WAPU-COVER 250 2003 | 1 |
| 35 | 54835001000 | WATERPUMP COVER 250/300 03 | 1 |
| 37 | 54637107000 | SEALING ELEMENT BOTTOM | 2 |
| 38 | 54837091100 | SEALING CARRIER 07 | 1 |
| 40 | 0603061001 | CU-SEAL RING DIN7603-6X10X1 | 1 |
| 44 | 0015060123 | HH COLLAR SCREW M 6X12 WS=8 | 1 |
| 45 | 0015060203 | HH COLLAR SCREW M 6X20 WS=8 | 7 |
| 46 | 0015060253 | HH COLLAR SCREW M 6X25 WS=8 | 2 |
| 50 | 0015060553 | HH COLLAR SCREW M 6X55 WS=8 | 2 |
| 51 | 0015060603 | HH COLLAR SCREW M 6X60 WS=8 | 4 |

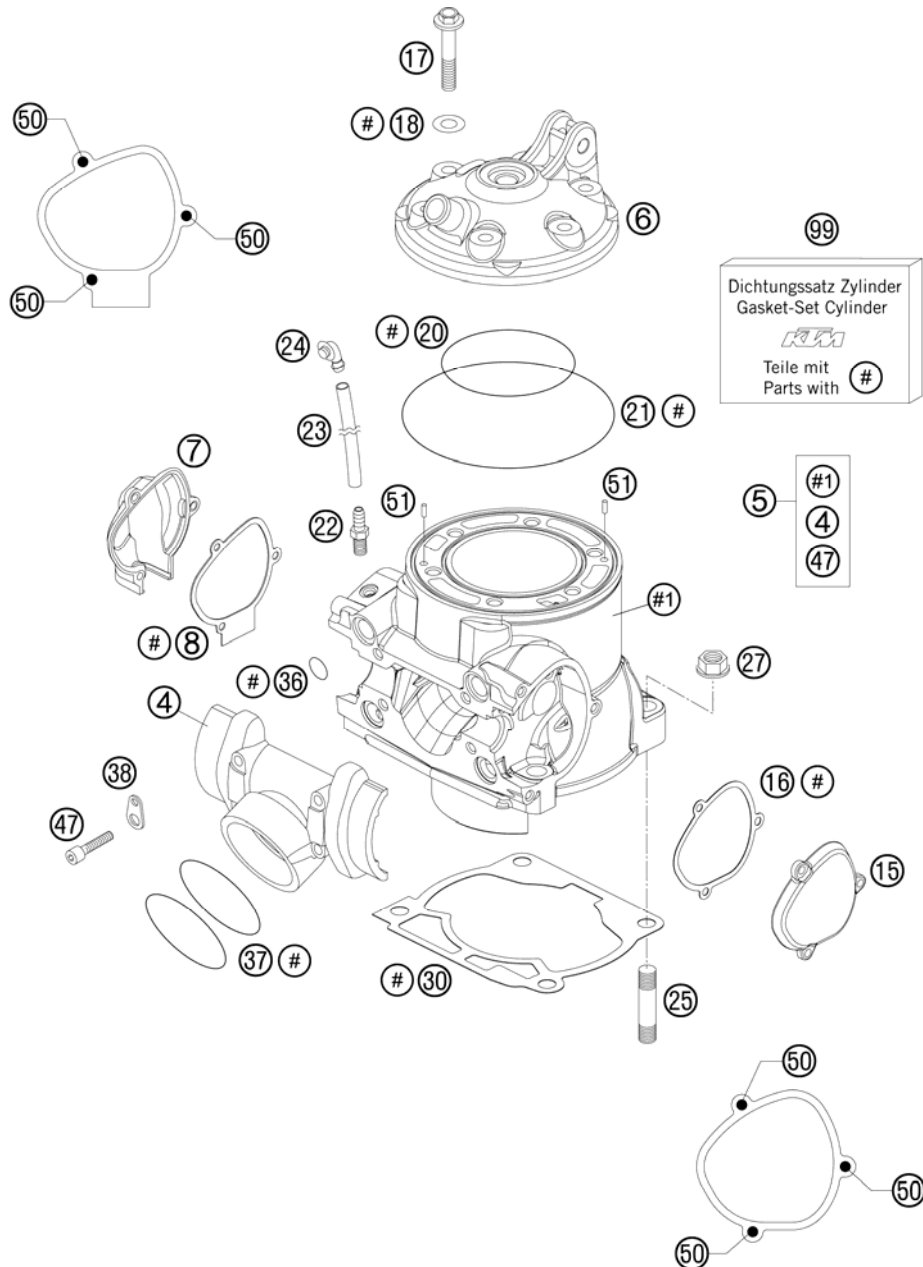
085483020 / C085483020

* NEW PART

X AS REQUIRED

CYLINDER, CYLINDER HEAD

250 EXC EUR/AUS 2008



| FIG | PART NUMBER | DESCRIPTION | QTY |
|-----|-------------|--------------------------------|-----|
| 4 | 54837001200 | INTERMEDIATE FLANGE 250/300 07 | 1 |
| 5 | 54830005344 | CYLINDER CPL. W. FLANGE 250 07 | 1 |
| 6 | 54830106000 | CYLINDER HEAD 250 EXC 07 | 1 |
| 7 | 54837007000 | CONTROL COVER R/S 07 | 1 |
| 8 | 54837008000 | GASKET FOR CONTROL COVER R/S | 1 |
| 15 | 54837005000 | CONTROL COVER L/S 07 | 1 |
| 16 | 54837006000 | GASKET FOR CONTROL COVER L/S | 1 |
| 17 | 54830079000 | COLLAR SCREW M 8X35 WS=13 | 6 |
| 18 | 56530080000 | CU-SEAL RING 8 X 16 X 1 | 6 |
| 20 | 0770730020 | O-RING 73,00X2,00 VITON | 1 |
| 21 | 0770105020 | O-RING 105,00X2,00 07 | 1 |
| 22 | 58336020090 | VACUUM CONNECTION M 6X1 | 1 |
| 23 | 31007107001 | PVC-HOSE 6X9 MM PER METER | x |
| 24 | 50303089000 | ANGEL PIECE '97 | 1 |
| 25 | 0835100351 | STUD DIN0835-M10X35 | 4 |
| 27 | 54630044000 | COLLAR NUT M10 WS=13 | 4 |
| 30 | 54830030002 | GASKET CYLINDER BASE 0,2MM 03 | x |
| 30 | 54830030004 | GASKET CYLINDER BASE 0,4MM 03 | x |
| 30 | 54830030005 | GASKET CYLINDER BASE 0,5MM 03 | x |
| 30 | 54830030075 | GASKET CYLINDER BASE 0,75MM 03 | x |
| 36 | 0770116241 | O-RING 11,3 X2,4 SILICON | 4 |
| 37 | 0770440030 | O-RING 44,00X3,00 VITON | 2 |
| 38 | 51005074000 | RETAINING PLATE | 2 |
| 47 | 0912060303 | AH SCREW DIN0912-M 6X30 | 4 |
| 50* | 58605083014 | SCREW M5X14 TORX 25 07 | 6 |
| 51 | 0402040980 | NEEDLE ROL.DIN5402 NRB 4X9,8 | 2 |
| 99* | 54830097100 | GASKET SET CYL. 250 07 | x |

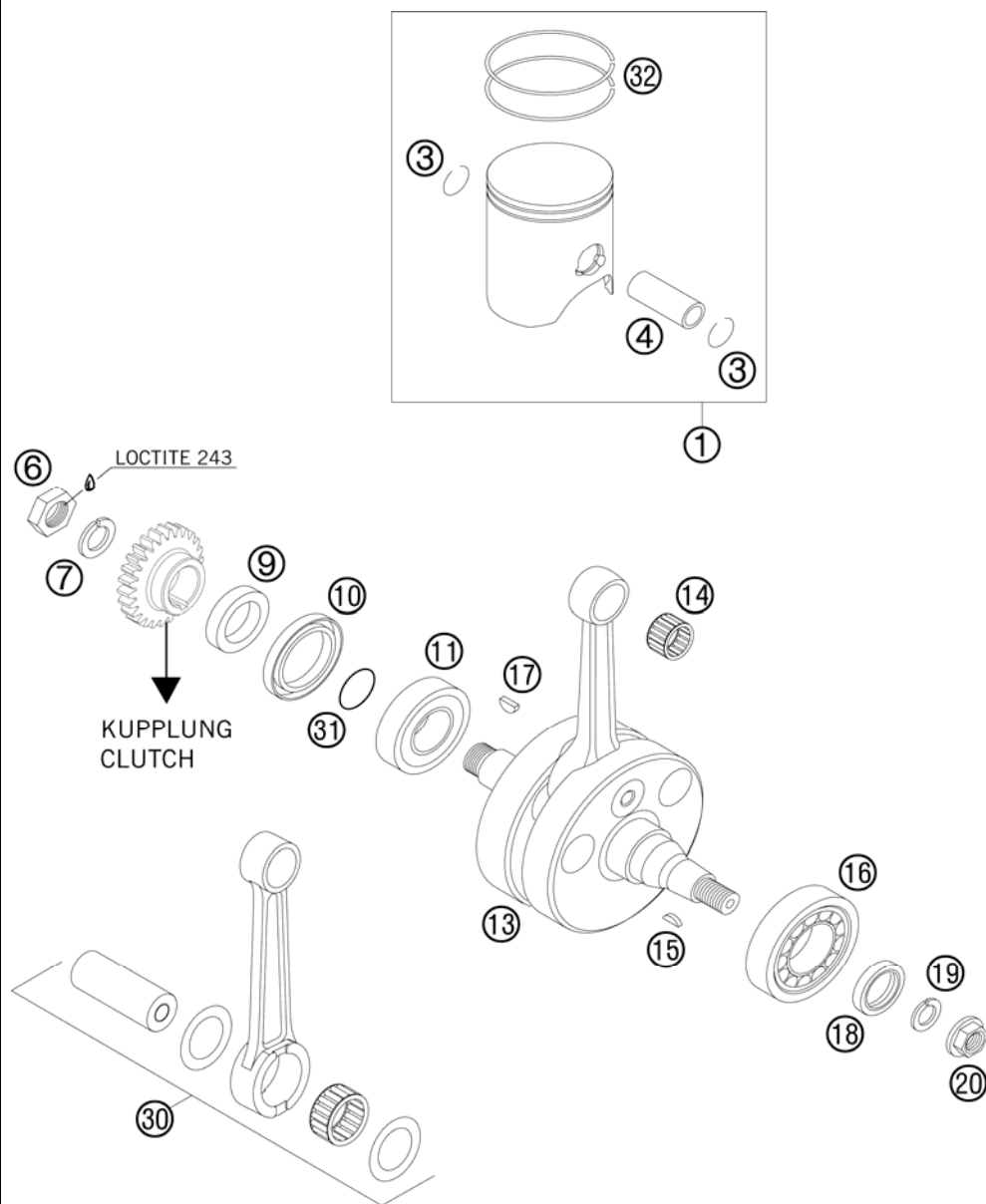
085483051 / C085483051

* NEW PART

X AS REQUIRED

CRANKSHAFT, PISTON

250 EXC EUR/AUS 2008



| FIG | PART NUMBER | DESCRIPTION | QTY |
|-----|----------------|--------------------------------|-----|
| 1 | 54830007200 I | PISTON CPL. 250 2 RINGS 05 | 1 |
| 1 | 54830007200 II | PISTON CPL. 250 2 RINGS 05 | 1 |
| 3 | 54030074000 | WIRE LOCK RING C18X1,5 | 2 |
| 4 | 54830233000 | PISTON PIN | 1 |
| 6 | 54630029000 | HEX.NUT L/SH M18X1,5 | 1 |
| 7 | 58132072000 | LOCK WASHER VSK 18 | 1 |
| 9 | 54830016000 | SPACER SLEEVE 28X38X10 03 | 1 |
| 10 | 0760385273 | SHAFT SEAL RING 38X52X7BTSL | 1 |
| 11 | 0625623204 | BALL BEARING 32X65X17 NTN | 1 |
| 13* | 54830118200 | CRANKSHAFT 250/300 EXC-MXC 08 | 1 |
| 14 | 54430034000 | NEEDLE BEARING KBK 18X22X20 | 1 |
| 15 | 0888030050 | WOODRUFF KEY DIN6888-3X5X13 | 1 |
| 16 | 56530123200 | CYLIND.ROL.BEAR. NJ207ET2XCS42 | 1 |
| 17 | 6946005 | WOODRUFF KEY 5X6,5 HARDED | 1 |
| 18 | 0760253570 | SHAFT SEAL RING 25X35X7 BTSL | 1 |
| 19 | 50230029012 | LOCKING RING VSK 12 | 1 |
| 20 | 49030021000 | COLLAR NUT M12X1 R/S | 1 |
| 30 | 54830015044 | CONROD REP. KIT 250/300 | 1 |
| 31 | 0770250015 | O-RING 25,00X1,50 NBR 70 | 1 |
| 32 | 54630232000 | SQUARE RING 66,4MM 250 2000 | 2 |

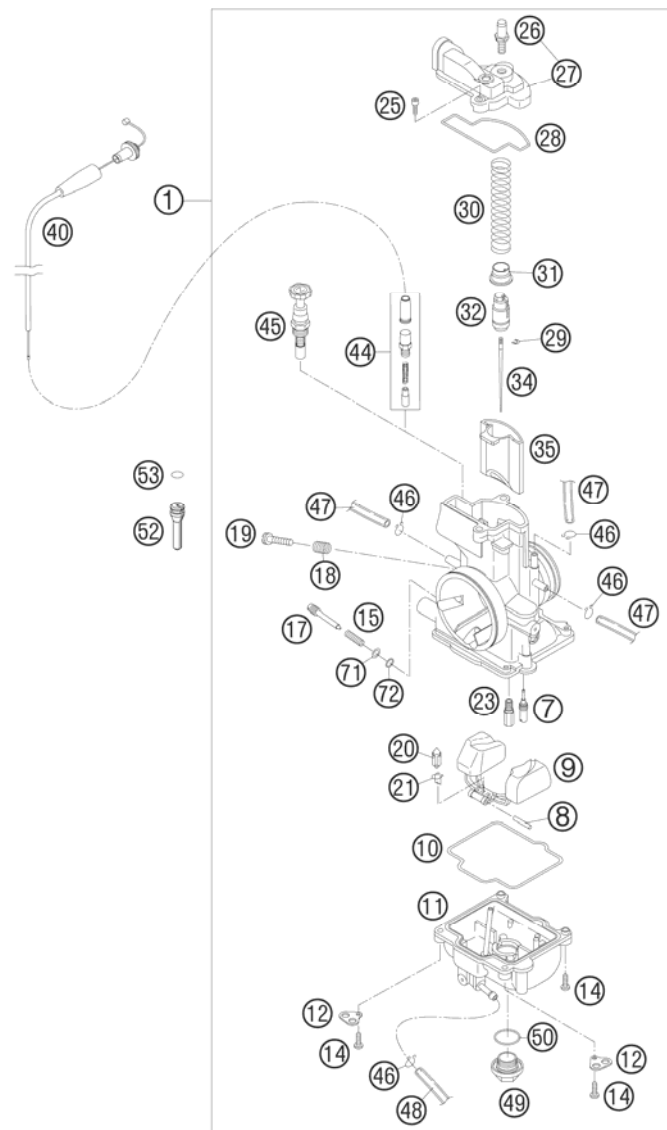
085483060 / C085483061

* NEW PART

X AS REQUIRED

ACHTUNG !!!
Vor dem Einbau des Vergasers, Bedüsung kontrollieren.

CAUTION !!!
Before mounting the carburetor, check the jetting.



| FIG | PART NUMBER | DESCRIPTION | QTY |
|-----|-------------|---|-----|
| 1* | 54831101044 | CARBURETOR PWK36-S AG 04 ONLY FOR AUS | x |
| 1* | 54831101944 | CARBURETOR KEIHIN PWK36S AG 08 ONLY FOR EU | x |
| 7 | 54531607035 | IDLE JET 35 KEIHIN | x |
| 7 | 54531607038 | IDLE JET 38 KEIHIN | x |
| 7 | 54531607040 | IDLE JET 40 KEIHIN | x |
| 7 | 54531607042 | IDLE JET 42 KEIHIN | x |
| 7 | 54531607045 | IDLE JET 45 KEIHIN | x |
| 7 | 54531607048 | IDLE JET 48 KEIHIN | x |
| 7 | 54531607050 | IDLE JET 50 KEIHIN | x |
| 8 | 57331008000 | ARM PIN FLOAT | 1 |
| 9 | 57331009000 | FLOAT CPL. | 1 |
| 10 | 54831010000 | GASKET FLOAT CHAMBER | 1 |
| 11 | 54831011000 | FLOAT CHAMBER PWK38-S AG | 1 |
| 12 | 54531612100 | RETAINING PLATE FOR BLEEDER | 2 |
| 14 | 0016040163 | HH COLLAR SCREW M 4X16 WS=6 | 4 |
| 15 | 54531615000 | SPRING FOR ADJUSTMENT SCREW | 1 |
| 17 | 54531617000 | ADJUSTMENT SCREW | 1 |
| 18 | 54631118000 | SPRING | 1 |
| 19 | 54631219100 | ADJUSTMENT SCREW M 5 | 1 |
| 20 | 54631220000 | FLOAT NEEDLE | 1 |
| 21 | 54531621000 | CLAMP | 1 |
| 23 | 54531623150 | MAIN JET 150 KEIHIN | x |
| 23 | 54531623152 | MAIN JET 152 KEIHIN | x |
| 23 | 54531623155 | MAIN JET 155 KEIHIN | x |
| 23 | 54531623158 | MAIN JET 158 KEIHIN | x |
| 23 | 54531623160 | MAIN JET 160 KEIHIN | x |
| 23 | 54531623162 | MAIN JET 162 KEIHIN | x |
| 23 | 54531623165 | MAIN JET 165 KEIHIN | x |
| 23 | 54531623168 | MAIN JET 168 KEIHIN | x |
| 23 | 54531623170 | MAIN JET 170 KEIHIN | x |
| 23 | 54531623172 | MAIN JET 172 KEIHIN | x |
| 23 | 54531623175 | MAIN JET 175 KEIHIN | x |
| 25 | 54831025000 | SPECIAL-AH-SCREW M 4X12 | 2 |
| 26 | 54831029000 | THROTTLE CALBE HOLDER M6X0,75 | 1 |

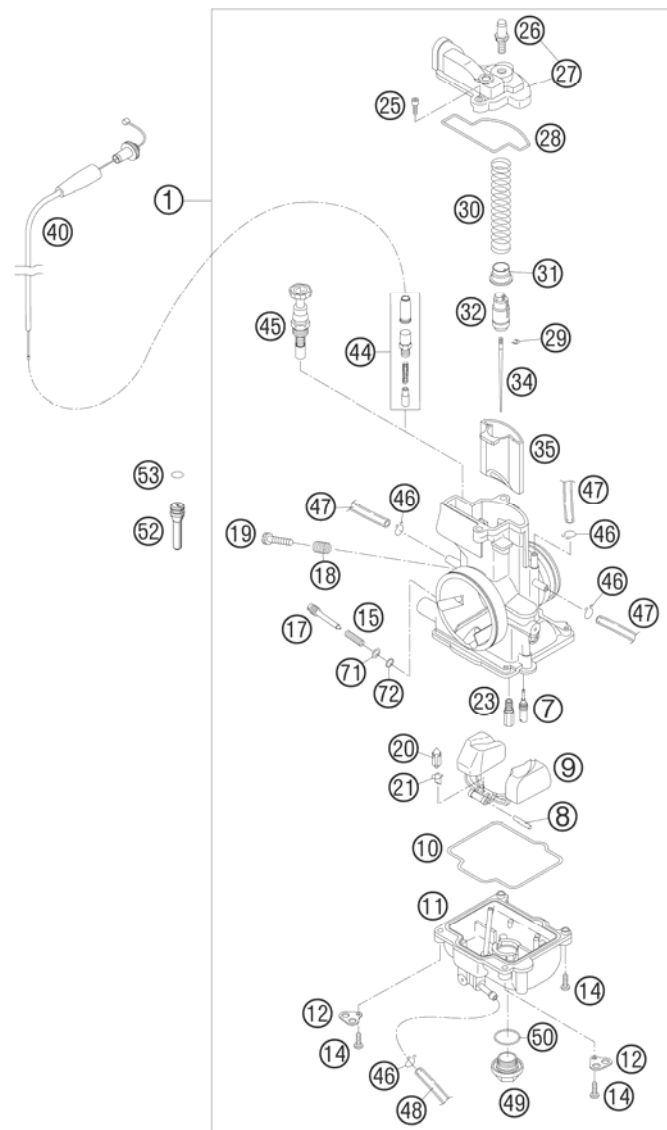
085033111 / C085483112

* NEW PART

X AS REQUIRED

ACHTUNG !!!
Vor dem Einbau des Vergasers,
Bedüsung kontrollieren.

CAUTION !!!
Before mounting the carburetor,
check the jetting.

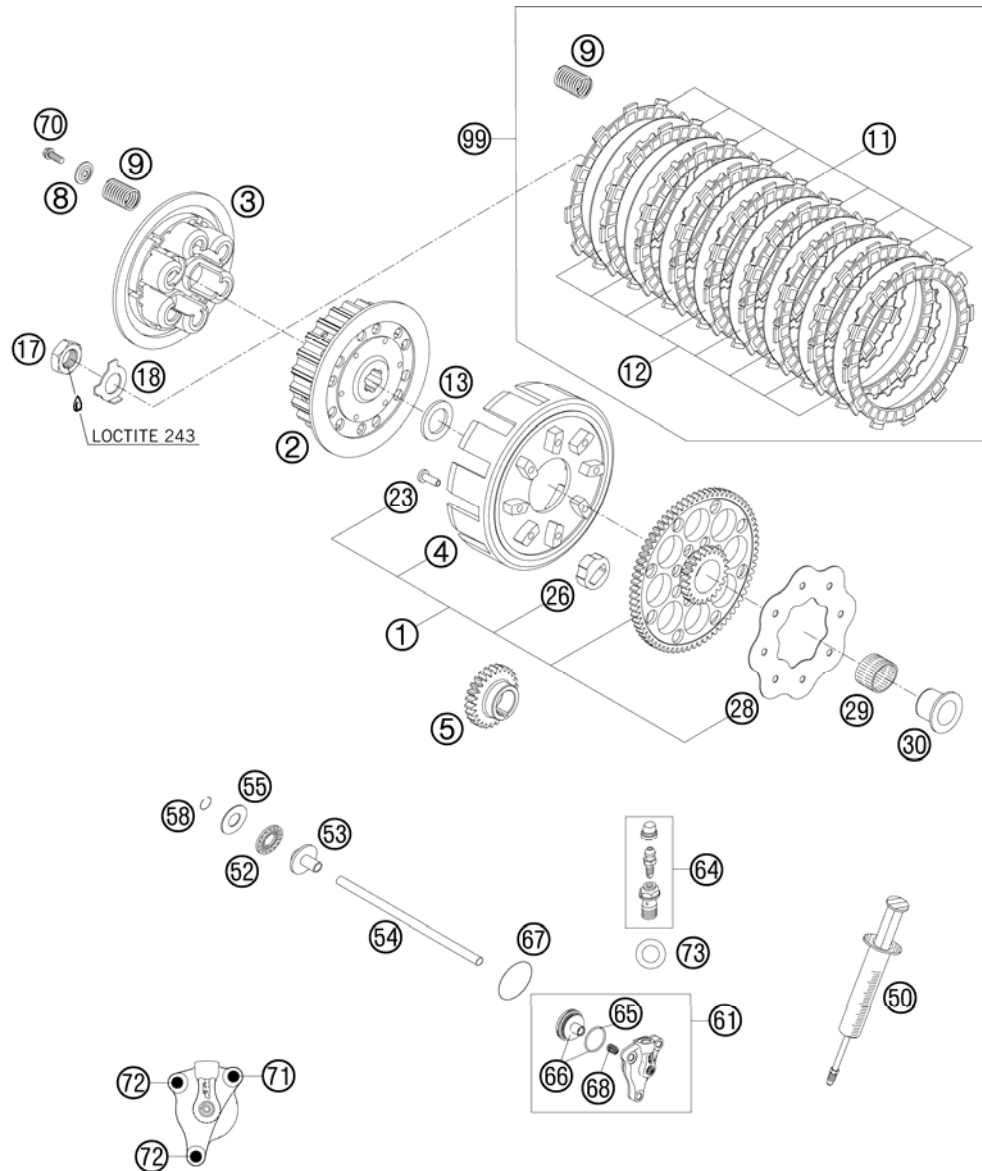


| FIG | PART NUMBER | DESCRIPTION | QTY |
|-----|-------------|--------------------------------|-----|
| 27 | 54831127000 | CARBURETOR COVER PWK36-S AG | 1 |
| 28 | 54831028000 | GASKET FOR CARBURETOR COVER | 1 |
| 29 | 54531629000 | CLIP FOR JET NEEDLE | 1 |
| 30 | 54831030000 | SLIDING SPRING | 1 |
| 31 | 54631231000 | SPRING CAP | 1 |
| 32 | 54631232000 | NIPPLE | 1 |
| 34 | 54731034600 | JET NEEDLE KEIHIN N3CJ 04 | x |
| 34* | 54731134200 | JET NEEDLE KEIHIN N2ZJ 08 | x |
| 34* | 54731134300 | JET NEEDLE KEIHIN N2ZWG 08 | x |
| 34 | 54831035000 | JET NEEDLE KEIHIN N8RF 06 | x |
| 34 | 54831035100 | JET NEEDLE KEIHIN N8RG 06 | x |
| 34 | 54831035300 | JET NEEDLE KEIHIN N8RE 06 | x |
| 34 | 54831035400 | JET NEEDLE KEIHIN N8RH 06 | x |
| 34 | 54831035500 | JET NEEDLE KEIHIN N8RW 07 | x |
| 34 | 54831035600 | JET NEEDLE KEIHIN N8RJ 07 | x |
| 35 | 54631035000 | THROTTLE VALVE 7 FOR 38 PJ '00 | 1 |
| 40* | 54831078000 | CABLE F. COLD START ACT. 08 | 1 |
| | | ONLY FOR EU | |
| 44* | 58502096044 | CONNECT. COLD START CABLE CPL. | 1 |
| | | ONLY FOR EU | |
| 45 | 54631245000 | STARTER PISTON CPL. | x |
| 46 | 54531696000 | CLAMP 6 MM | 5 |
| 47 | 31007007101 | PVC-HOSE 4X6MM | 2 |
| 48 | 52031137001 | PVC-HOSE 3X5MM | x |
| 49 | 54531699000 | PLUG M 18X1 | 1 |
| 50 | 0770180230 | O-RING 18,00X2,30 NBR 70 | 1 |
| 52* | 52331029000 | SLIDE STOP L=36 08 | x |
| 53 | 0770060018 | O-RING 6,00X1,78 | x |
| 71 | 54831071000 | WASHER ADJUSTING SCREW | 1 |
| 72 | 54831072000 | O-RING ADJUSTING SCREW | 1 |

085033111 / C085483112

* NEW PART

X AS REQUIRED



| FIG | PART NUMBER | DESCRIPTION | QTY |
|-----|-------------|--------------------------------|-----|
| 1 | 54832001072 | OUTER CLUTCH HUB 72-T CPL. 03 | 1 |
| 2 | 54832002000 | INNER CLUTCH HUB 546/548 2003 | 1 |
| 3 | 54632003000 | PRESSURE CAP 250-380 '98 | 1 |
| 4 | 54832001000 | OUTER CLUTCH HUB LOOSE 2003 | 1 |
| 5 | 54832000026 | PRIMARY GEAR 26T 2003 | 1 |
| 8 | 58132081000 | SPRING RETAINER 6,2 X 20 X 3,2 | 6 |
| 9 | 54832080000 | CLUTCH SPRING 2,5X43 8,75T | 6 |
| 11 | 54832011000 | LINING DISC FCC 04 | 9 |
| 12 | 54832012100 | STEEL DISC | 8 |
| 13 | 57532013000 | SUPPORTWASHER 22,2X35X3 HARDE. | 1 |
| 17 | 0936181505 | HEXAGON NUT DIN0936-M18X1,5 R. | 1 |
| 18 | 56532018000 | LOCK WASHER | 1 |
| 23 | 0733060150 | CLUTCH RIVET DIN7338- 6X15 | 8 |
| 26 | 58132026000 | DAMPING ELEMENT | 8 |
| 28 | 58132028000 | RETAINING PLATE | 1 |
| 29 | 56532095000 | NEEDLE BEARING K26X30X22ZW.KSE | 1 |
| 30 | 50332070000 | INNER RING WITH COLLAR | 1 |
| 50 | 50329050000 | VENT INJEKTION HYDR. CLUTCH | 1 |
| 52 | 54637097200 | AXIAL NEEDLE BEARING AXK 1226 | 1 |
| 53 | 50332054051 | PRESSURE PIECE 125-380 '98 | 1 |
| 54 | 54832054000 | PUSH ROD 250 2003 | 1 |
| 55 | 54637098200 | AXIAL WASHER AS1226 12X26X1 | 1 |
| 58 | 0993012000 | CIRCLIP DIN7993-RW12 | 1 |
| 61 | 54832061044 | OUTPUT CYLINDER CPL. 06 | 1 |
| 64 | 54813020000 | BLEEDER HOLLOW SCREW M10X1 | 1 |
| 65 | 54832067000 | O-RING | 1 |
| 66 | 54832066000 | PISTON CPL. | 1 |
| 67 | 0770300015 | O-RING 30,00X1,50 NBR 70 | 1 |
| 68 | 54832069000 | PRESSURE SPRING | 1 |
| 70 | 0015060163 | HH COLLAR SCREW M 6X16 WS=8 | 6 |
| 71 | 0015060353 | HH COLLAR SCREW M 6X35 WS=8 | 1 |
| 72 | 0015060203 | HH COLLAR SCREW M 6X20 WS=8 | 2 |
| 73 | 42013226000 | CU-SEAL RING DIN7603-10X16X1 | 2 |
| 99* | 54832011010 | CLUTCH KIT 200/300 '04-'06 | x |

085483210 / C085483210

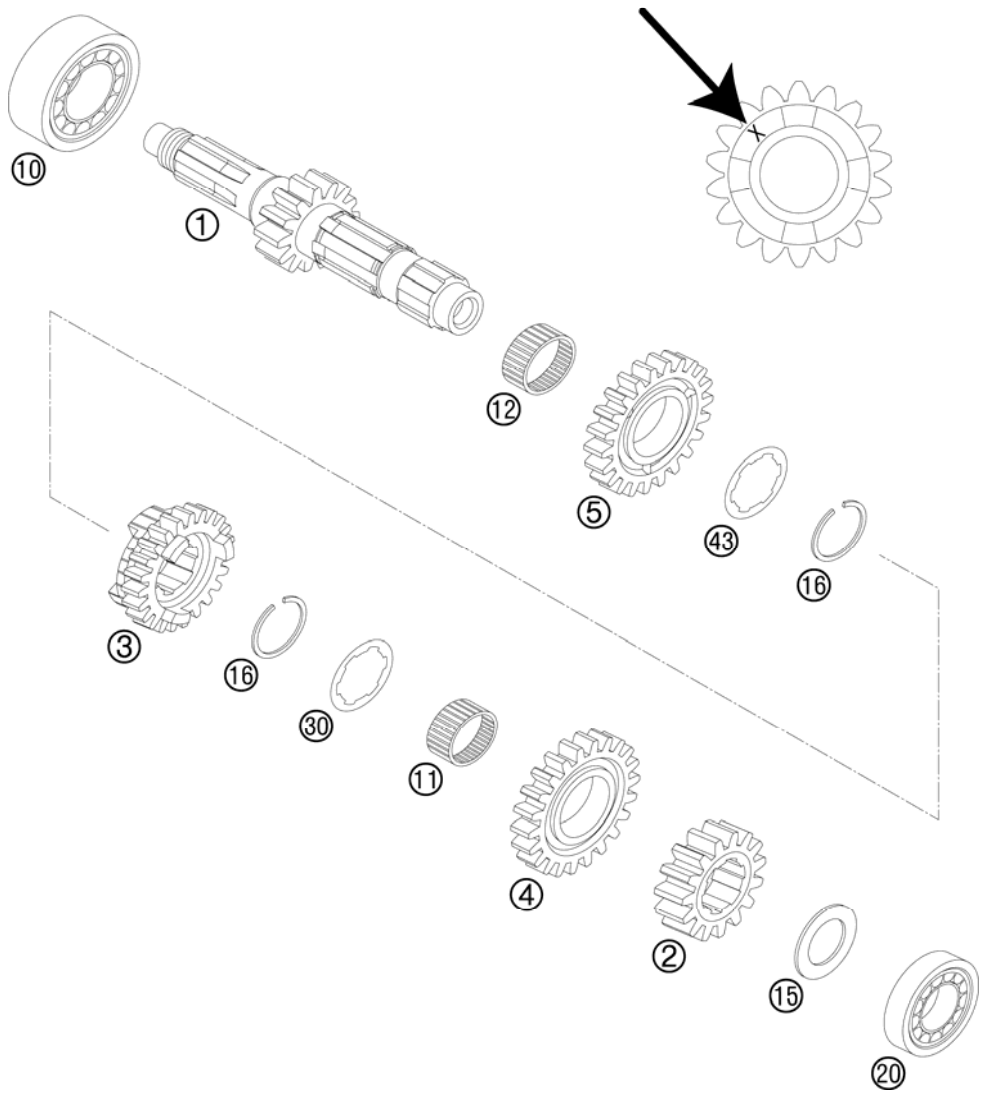
* NEW PART

X AS REQUIRED

TRANSMISSION I - MAIN SHAFT

250 EXC EUR/AUS 2008

ACHTUNG !!!
Bei Bestellung von Getrieberädern, Markierung beachten.
CAUTION !!!
When ordering transmission gears, check marking.



| FIG | PART NUMBER | DESCRIPTION | QTY |
|-----|-------------|---------------------------------|-----|
| 1 | 54833101000 | MAIN SHAFT 14-T "1E14" 04 | 1 |
| 2 | 54833102000 | SOLID GEAR 2ND G. 17-T "2E17" | 1 |
| 3 | 54833103000 | SLIDING GEAR 3RD G. 19-T "3E19" | 1 |
| 4 | 54833104000 | IDLER GEAR 4TH G. 20-T "4E20" | 1 |
| 5 | 54833105000 | IDLER GEAR 5TH G. 29-T "5E29" | 1 |
| 10 | 0625062054 | BALL BEARING 6205 C3 NTN | 1 |
| 11 | 0405222613 | NEEDLE BEAR. K 22X26X13 TN | 1 |
| 12 | 0405242812 | NEEDLE BEAR. K24X28X11,9 DIV. | 1 |
| 15 | 54633015000 | STOP DISK 20,2X33X1,5 | 1 |
| 16 | 77033022000 | AXIAL-CIRCLIP 25X1,65 | 2 |
| 20 | 0625160040 | GROOVED BALL BEAR. TM 16004 C3 | 1 |
| 30 | 59033030000 | STOP DISC 25,2X32X1,5 | 1 |
| 43 | 50333043000 | STOP DISC 25,2X32X1 | 1 |

085483330 / C085483331

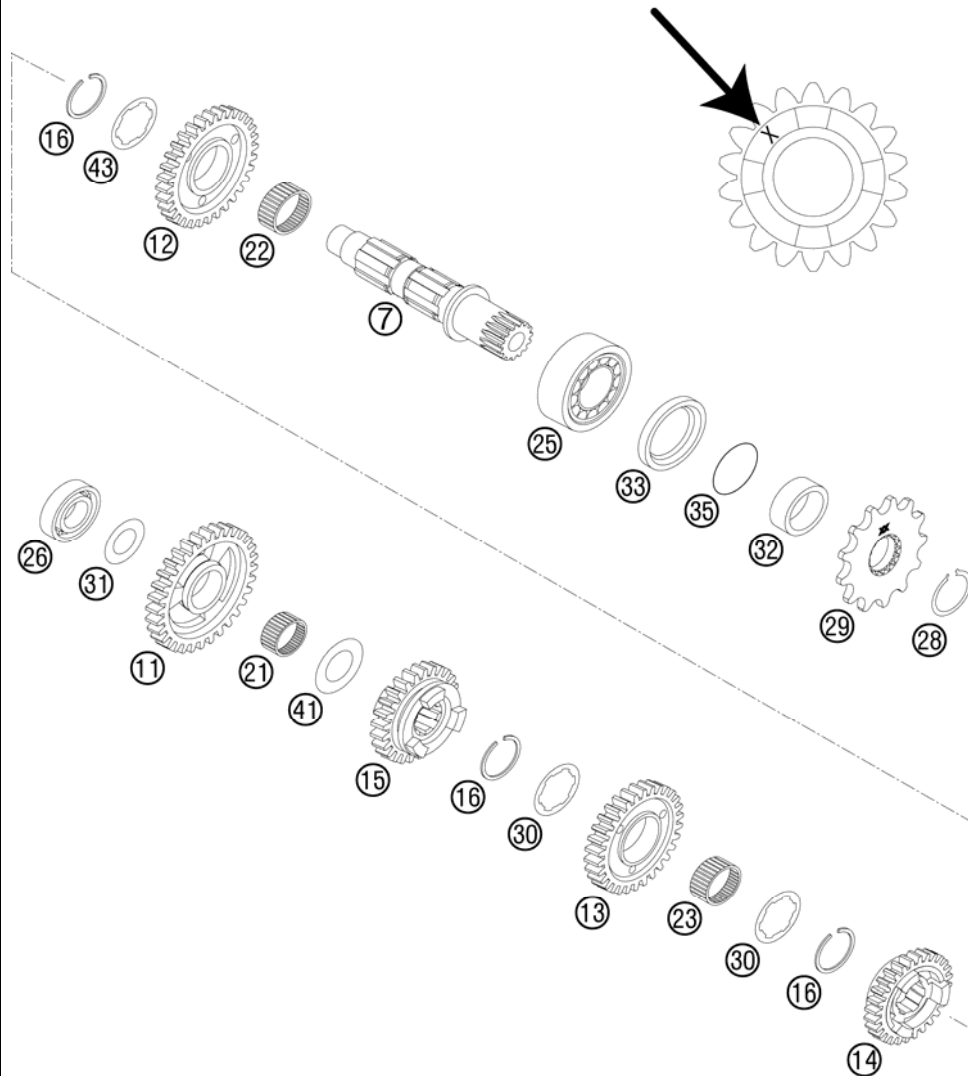
* NEW PART

X AS REQUIRED

TRANSMISSION II - COUNTERSHAFT

250 EXC EUR/AUS 2008

ACHTUNG !!!
Bei Bestellung von Getrieberädern, Markierung beachten.
CAUTION !!!
When ordering transmission gears, check marking.



| FIG | PART NUMBER | DESCRIPTION | QTY |
|-----|-------------|--------------------------------|-----|
| 7 | 54833007000 | COUNTERSHAFT 2003 | 1 |
| 11 | 54833111000 | IDLER GEAR 1ST G. 30-T "1E30" | 1 |
| 12 | 54833112000 | IDLER GEAR 2ND G. 26-T "2E26" | 1 |
| 13 | 54833113000 | IDLER GEAR 3RD G. 23-T "3E23" | 1 |
| 14 | 54833114000 | SLIDING GEAR 4TH G.20-T "4E20" | 1 |
| 15 | 54833115000 | SLIDING GEAR 5TH G.23-T "5E23" | 1 |
| 16 | 77033022000 | AXIAL-CIRCLIP 25X1,65 | 3 |
| 21 | 0405202413 | NEEDLE BEAR. K20X24X13 | 1 |
| 22 | 0405242812 | NEEDLE BEAR. K24X28X11,9 DIV. | 1 |
| 23 | 0405222613 | NEEDLE BEAR. K 22X26X13 TN | 1 |
| 25 | 54833025000 | BALL BEARING TM-SC05C20C4 NTN | 1 |
| 26 | 0625062035 | BALL BEARING 6203 JR2 C3 | 1 |
| 28 | 52033096000 | LOCK RING DINO471-25X1,64SD | 1 |
| 29 | 50033029013 | SPROCKET 13-T | x |
| 29 | 50033029014 | SPROCKET 14-T | x |
| 29 | 50033029015 | SPROCKET 15-T | x |
| 30 | 59033030000 | STOP DISC 25,2X32X1,5 | 2 |
| 31 | 56033030000 | STOP DISC 17,2X30X1 | 1 |
| 32 | 54833032011 | SPACER SLEEVE DRIVE END 2003 | 1 |
| 33 | 0760324565 | SHAFT SEAL RING 32X45X6,5 BTSL | 1 |
| 35 | 0770248022 | O-RING 28,80X2,20 P431 NBR 70 | 1 |
| 41 | 59033080000 | SHIM 20X32X1 | 1 |
| 43 | 50333043000 | STOP DISC 25,2X32X1 | 1 |

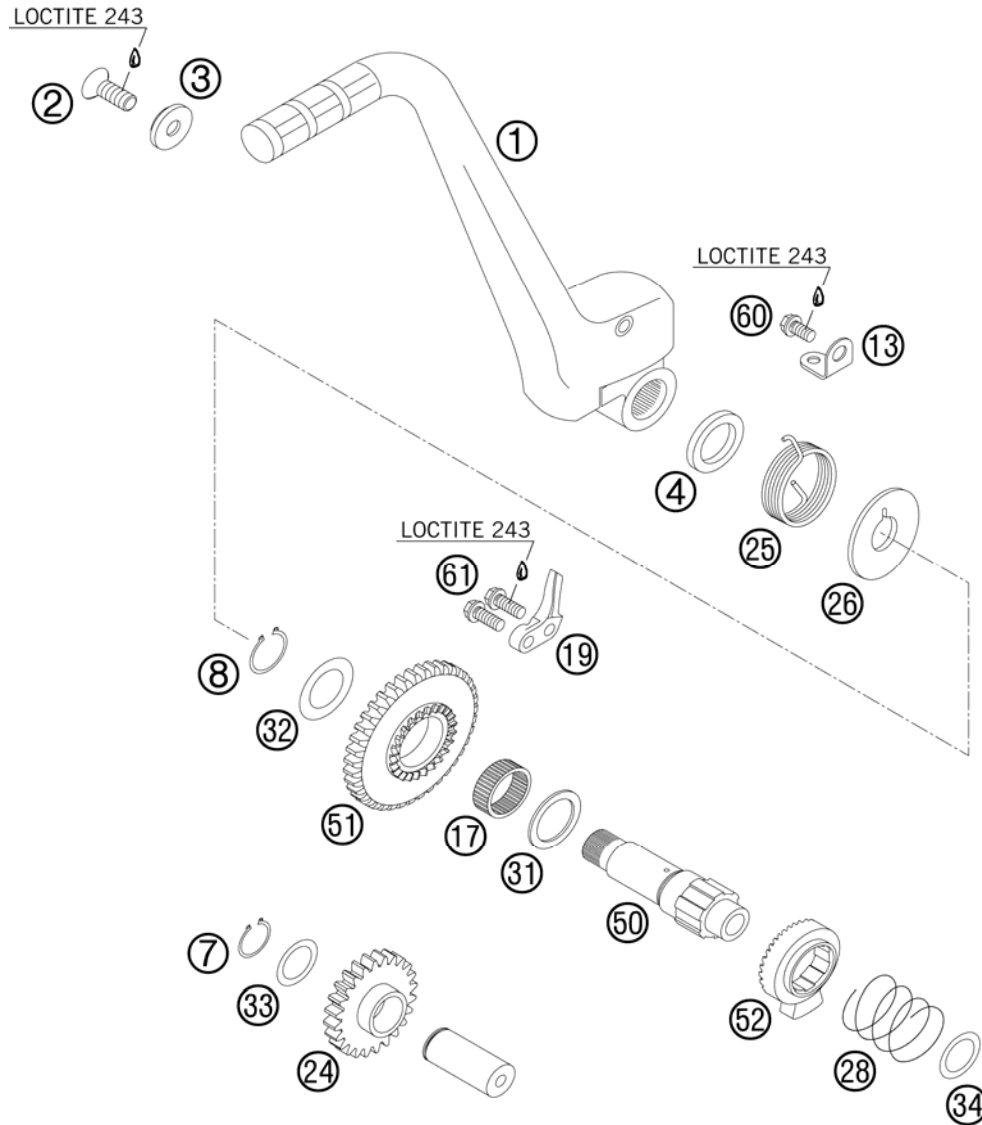
085483360 / C085483361

* NEW PART

X AS REQUIRED

KICK STARTER

250 EXC EUR/AUS 2008



| FIG | PART NUMBER | DESCRIPTION | QTY |
|-----|-------------|-------------------------------|-----|
| 1 | 77033070044 | KICKSTARTER CPL. 07 | 1 |
| 2 | 54610052000 | SPROCKET SCREW-AH M8X20 WS=6 | 1 |
| 3 | 54633037000 | WASHER 8MM GALVANIZED | 1 |
| 4 | 0760193070 | SHAFT SEAL RING 19X30X7 B | 1 |
| 7 | 0471170010 | CIRCLIP DIN0471-17X1 | 1 |
| 8 | 0471190120 | CIRCLIP DIN0471-19X1,2 | 1 |
| 13 | 54633074000 | SPRING HANGER | 1 |
| 17 | 0405222610 | NEEDLE BEARING K 22X26X10 A | 1 |
| 19 | 59033069000 | BUMP PART | 1 |
| 24 | 54833024000 | INTERMEDIATE GEAR 2003 | 1 |
| 25 | 54633025000 | KICKSTARTER SPRING | 1 |
| 26 | 54633026000 | DRIVING HUB | 1 |
| 28 | 58033028000 | RATCHET GEAR SPRING 1,2 MM | 1 |
| 31 | 58033031000 | STOP DISK 22,2 X 30 X 1,5 | 1 |
| 32 | 59033080000 | SHIM 20X32X1 | 1 |
| 33 | 54633090000 | STOP DISK 17,2X25X1 | 1 |
| 34 | 0988172405 | SHIM WASHER DIN0988-17X24X0,5 | 1 |
| 50 | 59033050000 | KICKSTARTER SHAFT RACING 2000 | 1 |
| 51 | 54833051034 | KICKSTARTER GEAR 34-T 03 | 1 |
| 52 | 59033052000 | RATCHET GEAR KICKSTARTER | 1 |
| 60 | 0015060103 | HH COLLAR SCREW M 6X10 WS=8 | 1 |
| 61 | 0015060203 | HH COLLAR SCREW M 6X20 WS=8 | 2 |

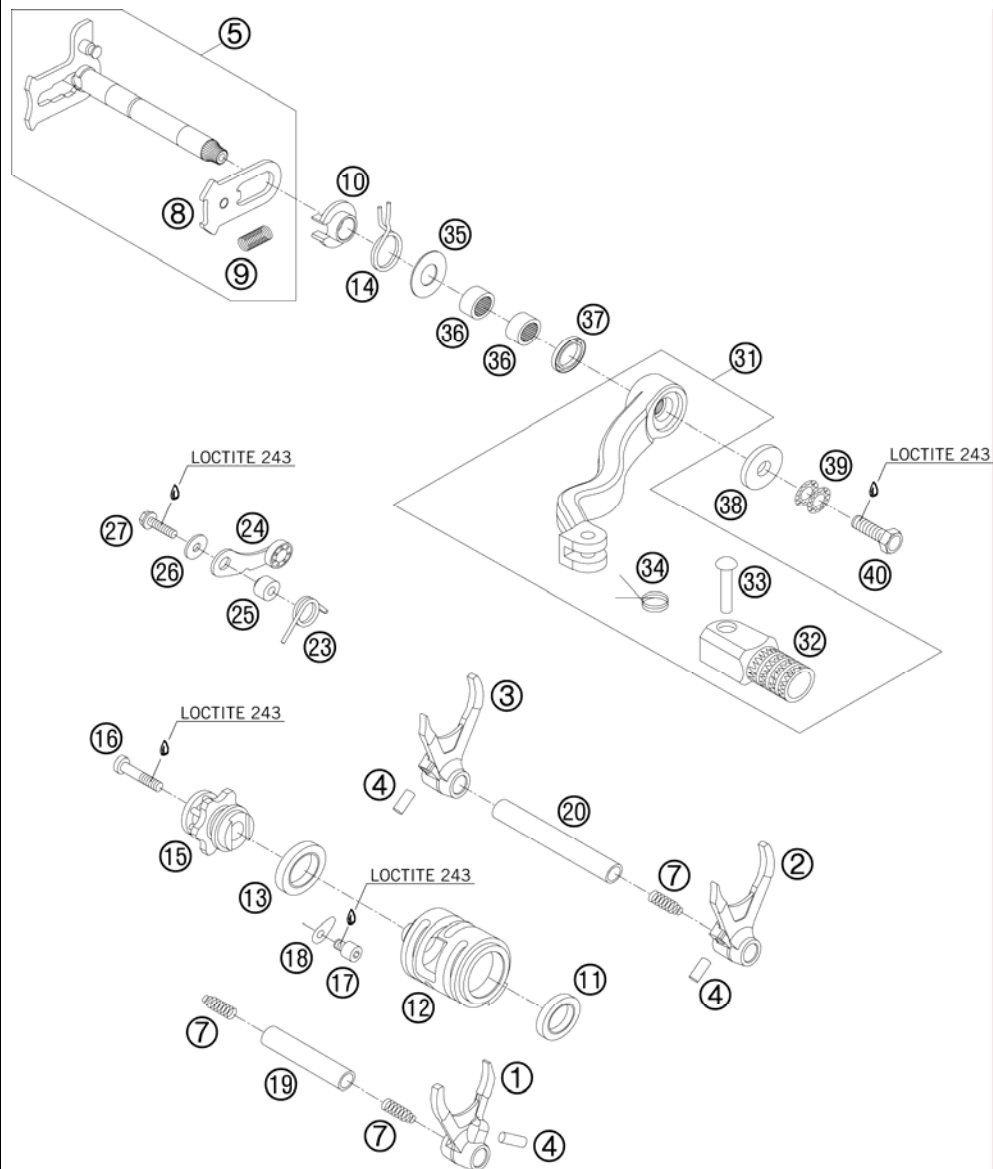
085483390 / C085483390

* NEW PART

X AS REQUIRED

SHIFTING MECHANISM

250 EXC EUR/AUS 2008



| FIG | PART NUMBER | DESCRIPTION | QTY |
|-----|-------------|--------------------------------|-----|
| 1 | 54834001000 | SHIFTING FORK 4TH/5TH GEAR 03 | 1 |
| 2 | 54834002000 | SHIFTING FORK 2ND GEAR 03 | 1 |
| 3 | 54834003000 | SHIFTING FORK 1ST/3RD GEAR 03 | 1 |
| 4 | 0402061480 | NEEDLE ROLLER DIN5402 6X14,8 | 3 |
| 5 | 54834005044 | SHIFTING SHAFT CPL. 03 | 1 |
| 7 | 58038023200 | PRESSURE SPRING 0,9MM | 3 |
| 8 | 54634008044 | SLIDING PLATE CPL. | 1 |
| 9 | 56534013100 | TENSIONING SPRING 0,8MM | 1 |
| 10 | 54634020000 | SPRING GUIDE | 1 |
| 11 | 0625069034 | BALL BEARING 6903 C4 | 1 |
| 12 | 54834012000 | SHIFT ROLLER 03 | 1 |
| 13 | 0625068050 | BALL BEARING 6805 C4 NTN JAPAN | 1 |
| 14 | 54834014000 | RETURN SPRING 03 | 1 |
| 15 | 54834015000 | SHIFT LOCATING DRUM 2003 | 1 |
| 16 | 0984060302 | AH SCREW DIN912 M 6X30 | 1 |
| 17 | 0912060083 | AH SCREW DIN912-M 6X 8 | 1 |
| 18 | 54634049000 | RETAINING PLATE | 1 |
| 19 | 54834019000 | SHIFT. RAIL MAIN SHAFT 250/300 | 1 |
| 20 | 54834020000 | SHIFT. RAIL C. SHAFT 250/300 | 1 |
| 23 | 54834023000 | LOCKING LEVER SPRING 03 | 1 |
| 24 | 50334024144 | LOCATING LEVER CPL. 08 | 1 |
| 25 | 54634052300 | SLEEVE FOR LOCKING LEVER | 1 |
| 26 | 0349000050 | WASHER DIN7349-5X15X2 | 1 |
| 27 | 0015050203 | HH COLLAR SCREW M 5X20 WS=8 | 1 |
| 31 | 54834031000 | SHIFT LEVER CPL. 250/300 05 | 1 |
| 32 | 54634131000 | STEP PLATE FOR SHIFT LEVER 250 | 1 |
| 33 | 54634031050 | BOLT 6X25 FOR SHIFT LEVER | 1 |
| 34 | 54634032100 | SHIFTING LEVER SPRING 250 | 1 |
| 35 | 54634050000 | STOP DISK 14X30X1 | 1 |
| 36 | 54632095000 | NEEDLE BEAR.HK 1412 14X20X12 | 2 |
| 37 | 0760142460 | SHAFT SEAL RING 14X24X6 B | 1 |
| 38 | 50232050001 | STEEL WASHER 6,4X17X3 | 1 |
| 39 | 50233041000 | PAIR OF WASHERS M 6 NORDLOCK | 1 |
| 40 | 0933060165 | HH SCREW DIN0933-M 6X16 10.9 | 1 |

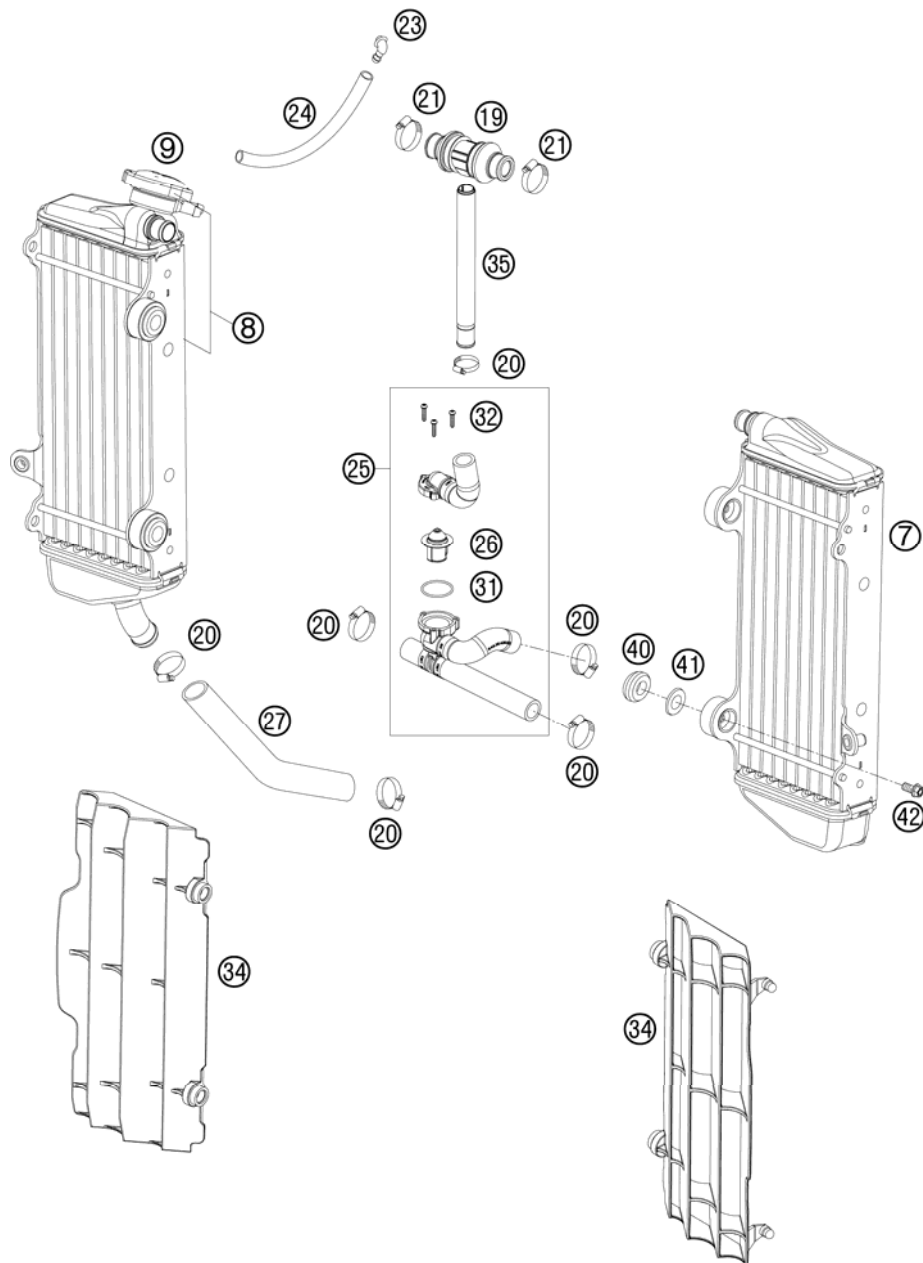
085483410 / C085483410

* NEW PART

X AS REQUIRED

COOLING SYSTEM

250 EXC EUR/AUS 2008



| FIG | PART NUMBER | DESCRIPTION | QTY |
|-----|---------------|--------------------------------|-----|
| 7* | 54835007200 | RADIATOR LEFT "VW1595" 08 | 1 |
| 8* | 54835008200 | RADIATOR RIGHT "VW1596" 08 | 1 |
| 9* | 58035016000 | RADIATOR CAP SMALL 20,3 PSI | 1 |
| 19* | 77335026000 | T-CONNECTOR CPL. '07 | 1 |
| 20 | 10001020000 | HOSE CLAMP GEMI 16-27 | 6 |
| 21* | 42013037200 | HOSE CLAMP GEMI 12/22 | 2 |
| 23 | 50303089000 | ANGEL PIECE '97 | 1 |
| 24 | 31007107001 | PVC-HOSE 6X9 MM PER METER | x |
| 25* | 54835426033 | RADIATOR H. 250 W. THERM.55 08 | 1 |
| 26 | 54835017000 | THERMOSTAT 55°C 2004 | 1 |
| 27 | 50335027000 | RADIATOR HOSE 18X25 125/200'98 | 1 |
| 31 | 0770320020 | O-RING 32,00X2,00 | 1 |
| 32 | 0016040183 | SCREW FOR PLASTIC D=4X18 | 3 |
| 34* | 7733503400030 | RAD. PR. L/S+R/S BLACK SX 07 | 1 |
| 35* | 54835072000 | HOSE CONNECTOR 2 STROKE 07 | 1 |
| 40 | 41001052000 | RUBBER SLEEVE D=12MM | 4 |
| 41* | 0021060003 | WASHER DIN9021-A 6,4 | 4 |
| 42 | 0023060123 | COLLAR SCREW M6X12 TX | 4 |

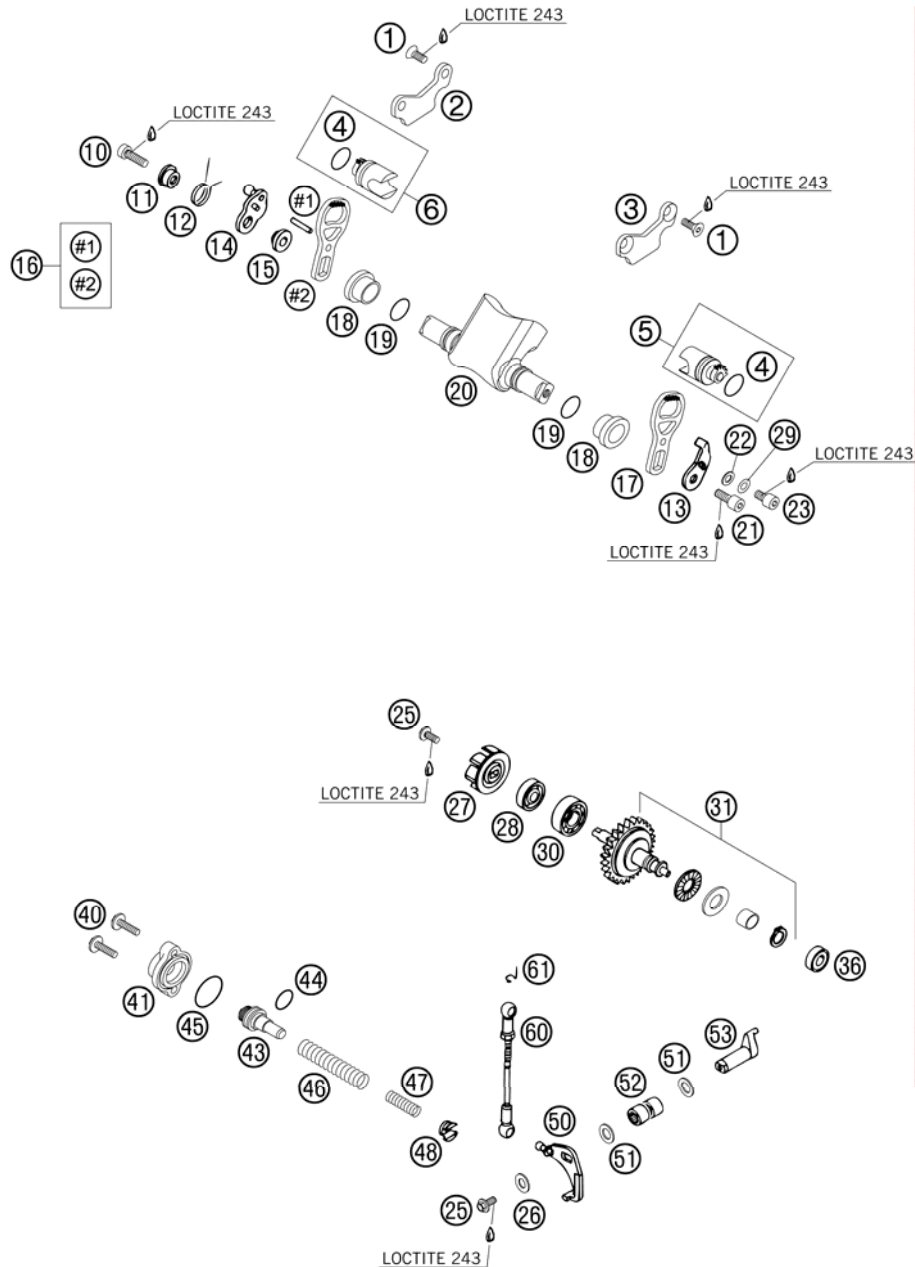
085483530 / C085483531

* NEW PART

X AS REQUIRED

EXHAUST CONTROL

250 EXC EUR/AUS 2008



| FIG | PART NUMBER | DESCRIPTION | QTY |
|-----|-------------|--------------------------------|-----|
| 1 | 0991050102 | FLAT H.SCEW DIN7991-M5X10 10.9 | 4 |
| 2 | 54837062000 | RETAINING PLATE R/S 07 | 1 |
| 3 | 54837063000 | RETAINING PLATE L/S 07 | 1 |
| 4 | 0770160021 | O-RING 16,00X2,00 VITON | 2 |
| 5 | 54837061044 | CONTR.VALVE L/S CPL. 07 | 1 |
| 6 | 54837061144 | CONTR.VALVE R/S CPL. 07 | 1 |
| 10 | 0912060203 | AH SCREW DIN0912-M 6X20 | 1 |
| 11 | 54637067000 | SPRING SLEEVE | 1 |
| 12 | 54637066000 | OVERLOAD SPRING | 1 |
| 13 | 54637085300 | RETAIN.PLATE CONTROL FLAP '92 | 1 |
| 14 | 54637065000 | CONTROL LEVER WITH BALL TYPE | 1 |
| 15 | 54637068100 | BUSHING SLEEVE | 1 |
| 16 | 54837064144 | GEAR SEGMENT CPL. RIGHT 07 | 1 |
| 17 | 54837064150 | GEAR SEGMENT L/S 250 07 | 1 |
| 18 | 54737019000 | BEAR. SLEEVE F.CONTROL FLAP'97 | 2 |
| 19 | 0770150151 | O-RING 15,00X1,50 VITON | 2 |
| 20 | 54837020200 | CONTROL CLAP 250 07 | 1 |
| 21 | 0912060163 | AH SCREW DIN0912-M 6X16 | 1 |
| 22 | 54637056100 | WASHER 6,5X11X2 | 1 |
| 23 | 0912060083 | AH SCREW DIN0912-M 6X 8 | 1 |
| 25 | 0014050123 | HH COLLAR SCREW M 5X12 WS=6 | 2 |
| 26 | 0349000050 | WASHER DIN7349-5X15X2 | 1 |
| 27 | 54835005000 | WATER PUMP WHEEL 07 | 1 |
| 28 | 0760082472 | SHAFT SEAL RING 8X24X7 A DUO | 1 |
| 29 | 0137060003 | SPRING WASHER DIN0137-B 6 | x |
| 30 | 0625160020 | BALL BEARING 16002 C3 | 1 |
| 31 | 54837050044 | CENTRIFUGAL TIMER CPL. 250/300 | 1 |
| 36 | 54637098100 | BALL BEARING 626LLBC3/5K | 1 |
| 40 | 0014050203 | HH COLLAR SCREW M 5X20 WS=6 | 2 |
| 41 | 54637070100 | COVER LID 250-380'98 | 1 |
| 43 | 54837075000 | SPRING GUIDE 250/300 | 1 |
| 44 | 0770021120 | O-RING 12,37X2,62 NBR70 | 1 |
| 45 | 0770240020 | O-RING 24,00X2,00 NBR70 | 1 |
| 46 | 54637072100 | % ADJUST.SPRING L=65MM D=2MM ' | 1 |
| 47 | 54637072300 | AUXILIARY SPRING MID., YELLOW | 1 |
| 47 | 54837072000 | AUXILIARY SPRING SOFT, RED | x |

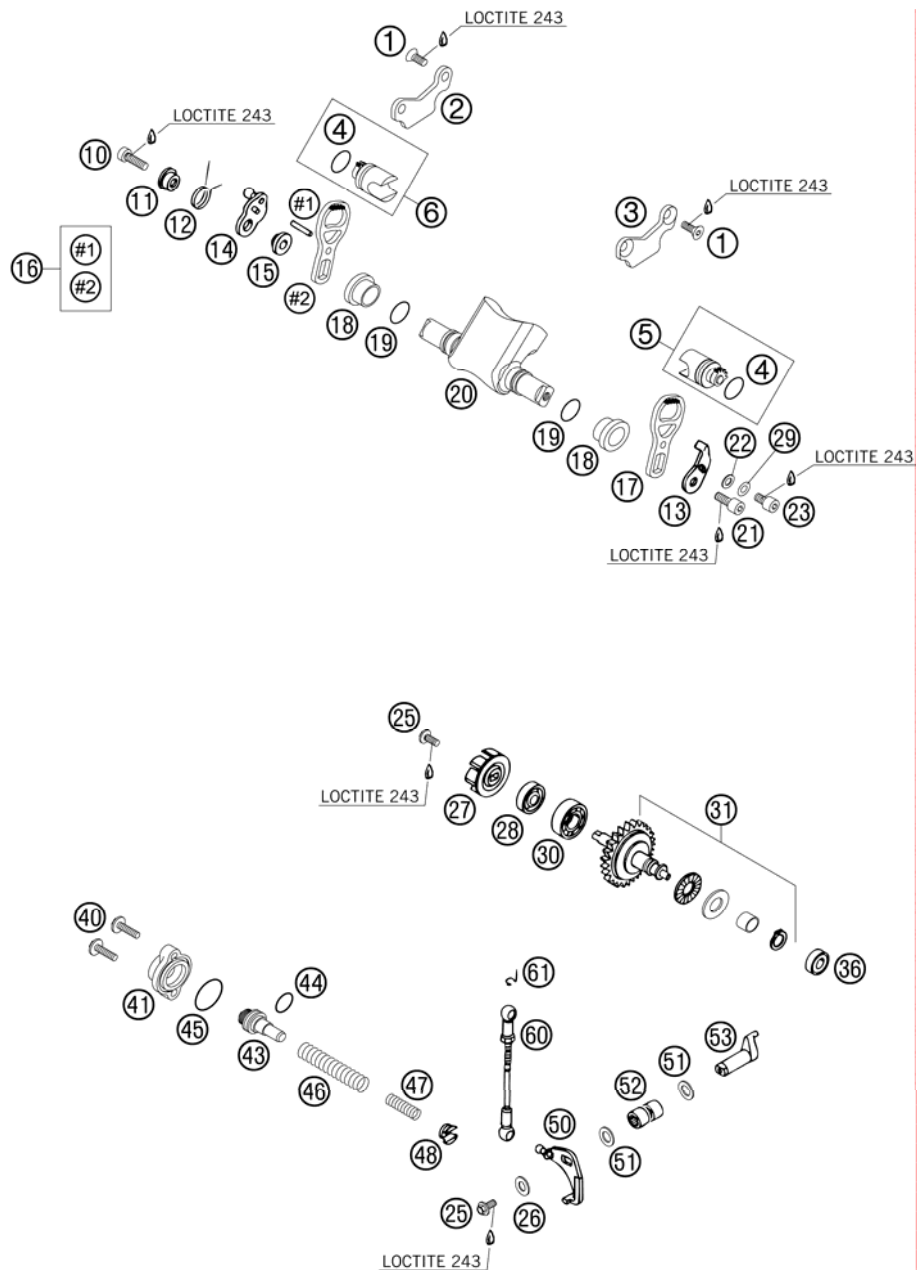
075483702 / C085483710

* NEW PART

X AS REQUIRED

EXHAUST CONTROL

250 EXC EUR/AUS 2008



| FIG | PART NUMBER | DESCRIPTION | QTY |
|-----|-------------|--------------------------------|-----|
| 47 | 54837072100 | AUXILIARY SPRING HARD, GREEN | x |
| 48 | 54637071200 | SPRING INSERT | 1 |
| 50 | 54637055244 | ANGLE LEVER CPL. '91 | 1 |
| 51 | 0988101610 | SHIM WASHER DIN988 10X16X1 | 2 |
| 52 | 54637096000 | NEEDLE SLEEVE HK 1010 | 2 |
| 53 | 54837057000 | CONTROL LEVER 03 | 1 |
| 60 | 54637095344 | CONNECT.ROD CPL. L=109,5MM '91 | 1 |
| 61 | 50237195055 | SECURING DIN-71805-S-8 | 2 |

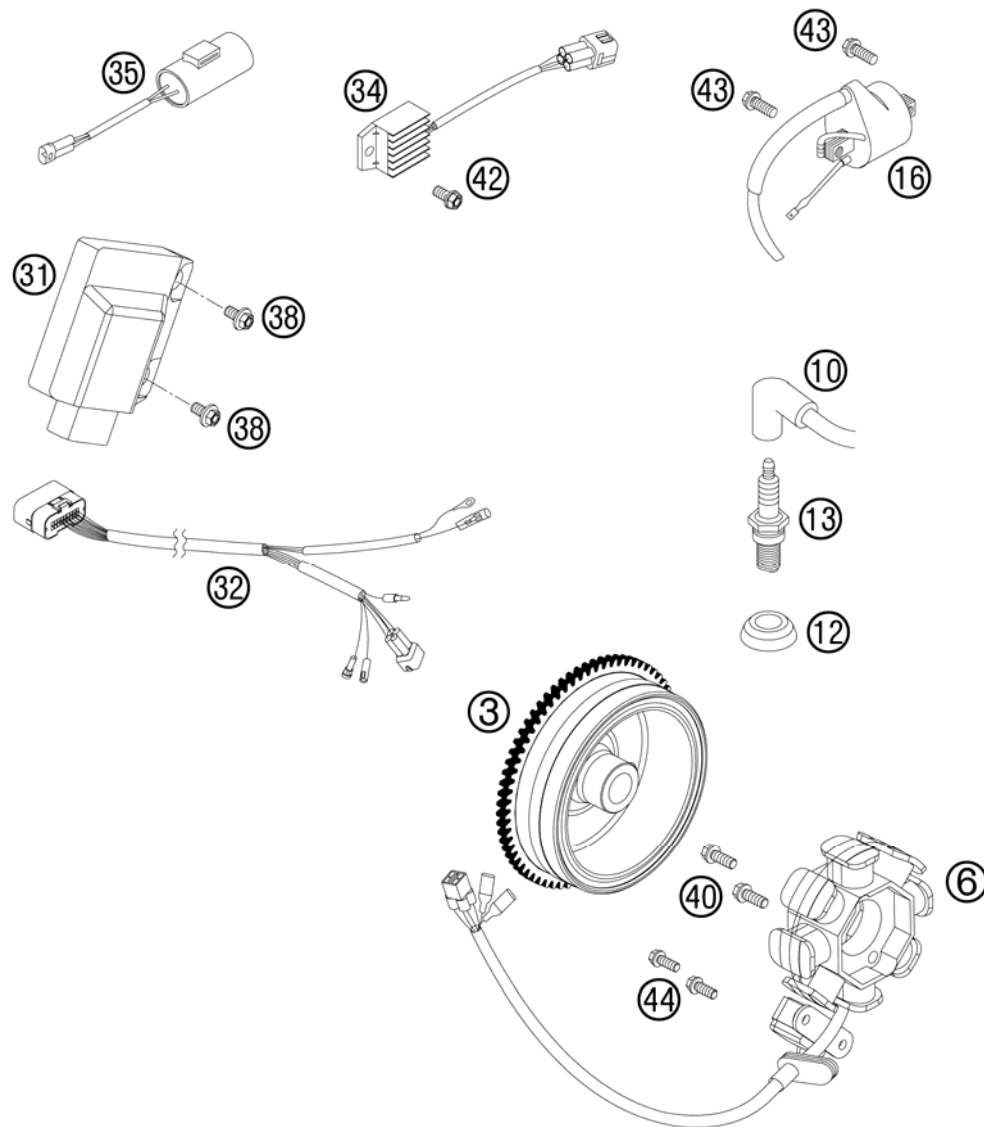
075483702 / C085483710

* NEW PART

X AS REQUIRED

IGNITION SYSTEM

250 EXC EUR/AUS 2008



| FIG | PART NUMBER | DESCRIPTION | QTY |
|-----|-------------|--------------------------------|-----|
| 3* | 55139005000 | FLYWHEEL KOKUSAN | 1 |
| 6* | 55139004000 | STATOR KOKUSAN | 1 |
| 10 | 47039090000 | SPARK PLUG CAP NGK REINFORC.04 | 1 |
| 12 | 50231012000 | SEALING CUP FOR SPARK PLUG | 1 |
| 13 | 54739093000 | SPARK PLUG NGK BR7ES | 1 |
| 16 | 50339006000 | IGNI.COIL KOKU. IG5127 | 1 |
| 31 | 54839031700 | CDI UNIT 250 EXC 07 | 1 |
| 32* | 54839032300 | WIRING HARNESS F.CDI 2-ST.SX07 | 1 |
| 34 | 80011034000 | VOLTAGE REGULATOR 04 | 1 |
| 35 | 50311035000 | CONDENSATOR 2200MF ADP-48 2000 | 1 |
| 38* | 0023060123 | COLLAR SCREW M6X12 TX | 2 |
| 40* | 0015060203 | HH COLLAR SCREW M 6X20 WS=8 | 2 |
| 42* | 0025060106 | HH COLLAR SCREW M6X10 TX30 | 1 |
| 43* | 0025060166 | HH COLLAR SCREW M6X16 TX30 | 2 |
| 44* | 0014050123 | HH COLLAR SCREW M 5X12 WS=6 | 2 |

085483911 / C085483912

* NEW PART

X AS REQUIRED





KTM-Sportmotorcycle AG
A-5230 Mattighofen
www.ktm.at

KTM Group Partner



3CM083680HEN



Art.Nr.: 3CM083680HEN 4/2007