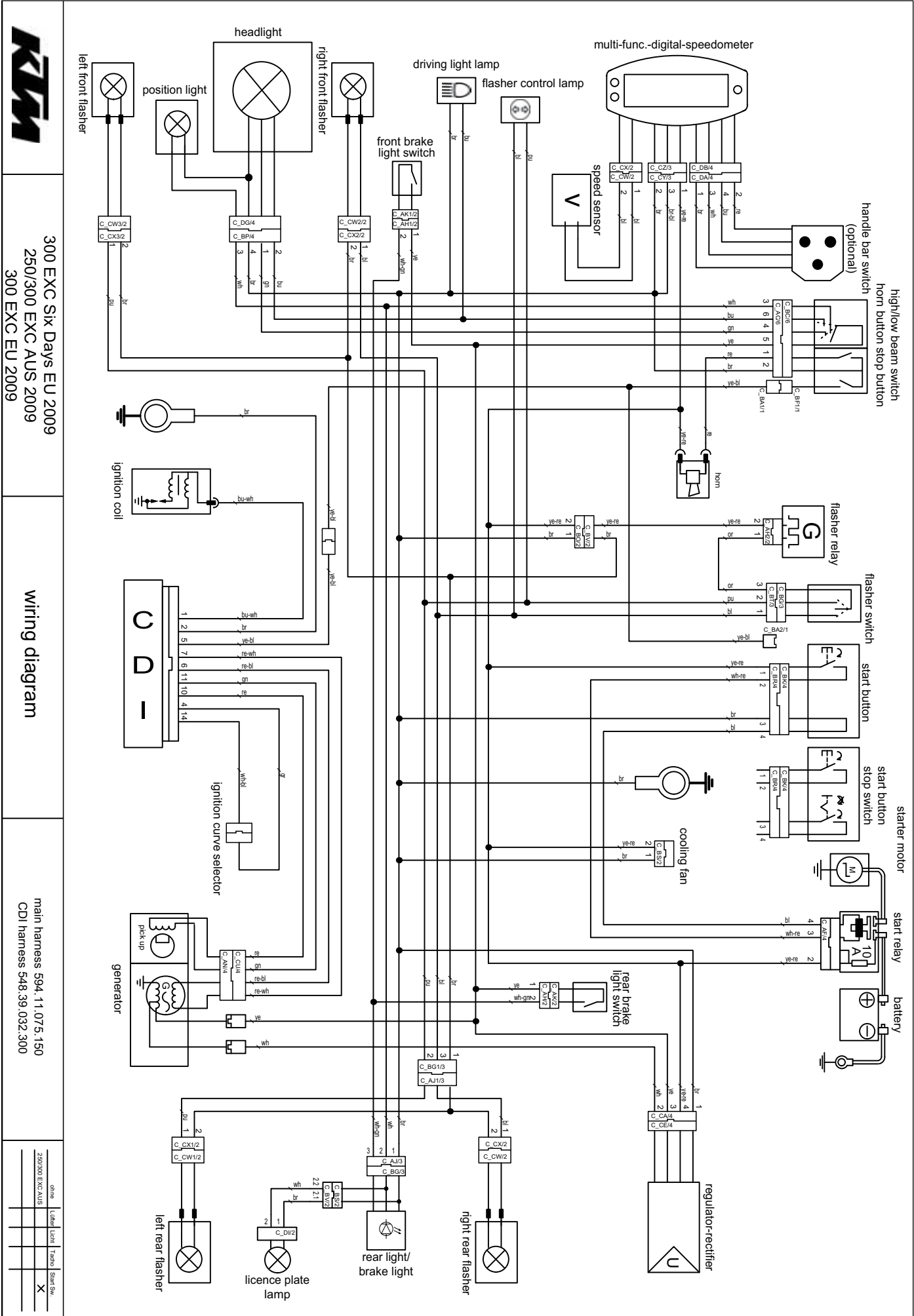


# SCHALTPLAN » WIRING DIAGRAMM

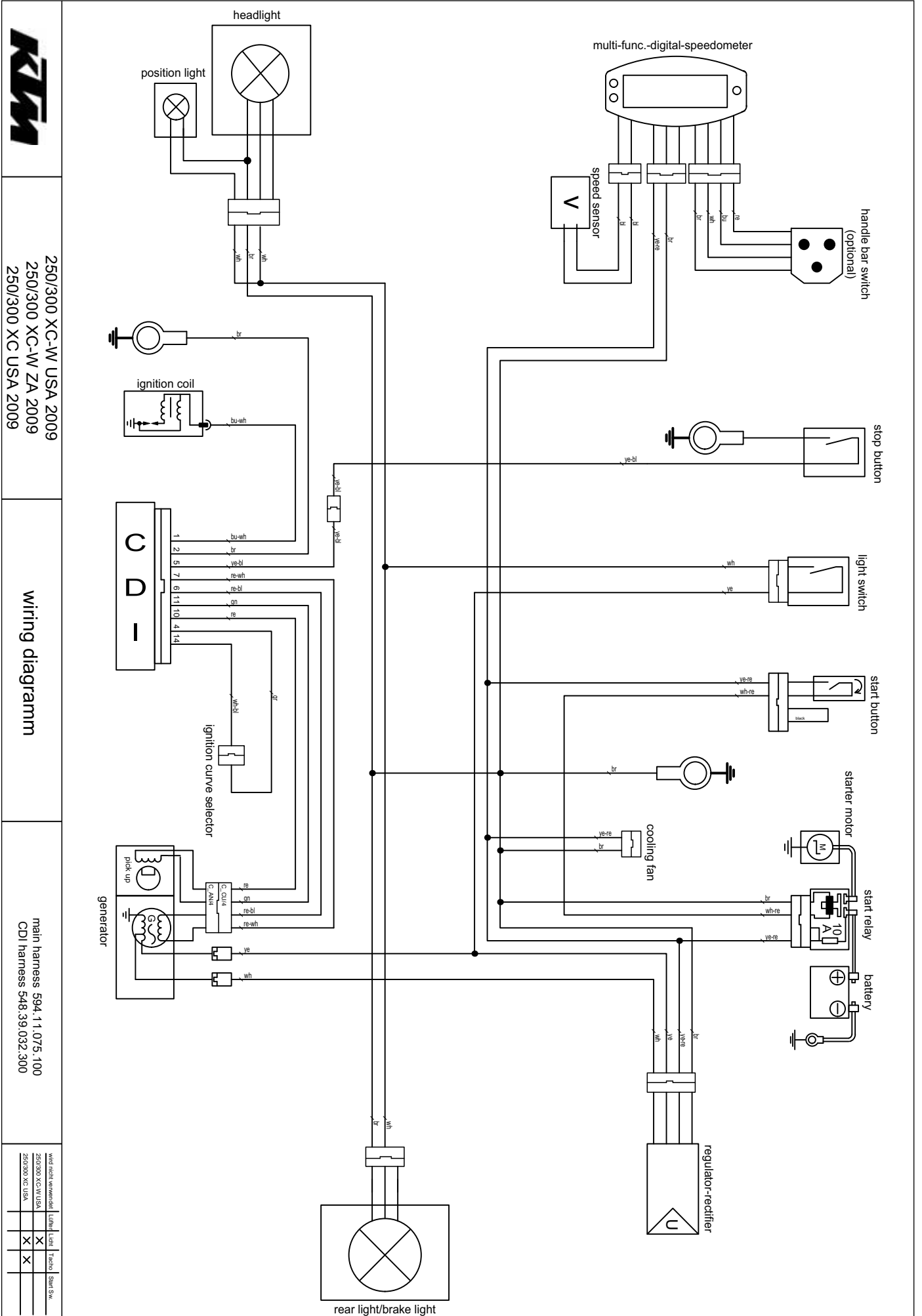


300 EXC Six Days EU 2009  
250/300 EXC AUS 2009  
300 EXC EU 2009

wiring diagram

main harness 594.11.075.150  
CDI harness 548.39.032.300

| date     | Umfeld  | Leicht | Tropo | Start Sw. |
|----------|---------|--------|-------|-----------|
| 29.03.00 | EXC/AUS |        |       | X         |
|          |         |        |       |           |
|          |         |        |       |           |




250/300 XC-W USA 2009  
 250/300 XC-W ZA 2009  
 250/300 XC USA 2009

wiring diagramm





main harness 594.11.075.100  
 CDI harness 548.39.032.300

| Wire harness     | USA | USA | USA | USA | USA |
|------------------|-----|-----|-----|-----|-----|
| 250/300 XC-W USA | X   | X   | X   | X   | X   |
| 250/300 XC USA   | X   | X   | X   | X   | X   |

horn button

| cable color  | re | br |
|--|----|----|
| HORN  | ●  | ●  |
| OFF  |    |    |



light switch  
high/low beam switch

| cable color   | bu | ye | gn | wh |
|---|----|----|----|----|
| LIGHT OFF   |    |    |    |    |
| P.LIGHT <br>LO  |    | ●  | ●  | ●  |
| HI <br>P.LIGHT  | ●  | ●  |    |    |

brake light switch

| cable harness | gn-wh | ye |
|---------------|-------|----|
| cable switch  | bl    | bl |
| pushed        | ●     | ●  |
| unpushed      |       |    |


flasher switch

| cable harness  | or | pu | bl |
|--|----|----|----|
| TURN L  | ●  | ●  |    |
| TURN R  | ●  | ●  | ●  |
| OFF  |    |    |    |

stop switch

| cable harness | ye-bl | br |
|---------------|-------|----|
| cable switch  | ye-bl | br |
| pushed        | ●     | ●  |
| unpushed      |       |    |

start button

| cable switch  | re-wh | ye-re |
|---|-------|-------|
| START  | ●     | ●     |
| unpushed  |       |       |

# SCHALTPLAN » WIRING DIAGRAMM

| ENGLISH   | DEUTSCH                                | ITALIANO   |
|---|--|--|
| Battery   | Batterie                               | Batteria   |
| Capacitor   | Kondensator                            | Condensatore   |
| Cooling fan   | Lüftermotor                            | Motorino ventola                                       |
| Driving light lamp                                    | Fernlichtkontrolle                     | spia abbagliante                                       |
| Flasher control lamp                                  | Blinkerkontrolle                       | spia lampeggiatori                                     |
| Flasher relay   | Blinkerrelais                          | Relè indicatori  |
| Flasher switch  | Blinkerschalter                        | Interruttore indicatori di direzione                   |
| Front brake switch                                    | vorderer Bremslichtschalter            | Interruttore luce ant. di stop                         |
| Generator   | Generator                              | Generatore   |
| Handle bar switch for multi-func.-digital-speedometer | Lenkerschalter für Kombiinstrument     | Interruttore sul manubrio per tachimetro multifunzione |
| Headlight   | Scheinwerfer                           | Faro anteriore   |
| High / low beam switch                                | Auf-Abblendschalter                    | Commutatore abbagliante/anabbagliante                  |
| Horn  | Hupe                                   | Avvisatore acustico                                    |
| Horn button   | Horntaster                             | Interruttore avvisatore acustico                       |
| Ignition coil   | Zündspule                              | Bobina d'accensione                                    |
| Ignition curve selector                               | Stecker für Zündkurve                  | Connettori curva d'accensione                          |
| Ignition switch                                       | Zündschloss                            | Interruttore d'accensione                              |
| Left front flasher                                    | linker vorderer Blinker                | Indicatore ant. sx                                     |
| Left rear flasher                                     | linker hinterer Blinker                | Indicatore post. sx                                    |
| Licence plate lamp                                    | Kennzeichenbeleuchtung                 | Luce targa   |
| Light switch  | Lichtschalter                          | Interruttore luci                                      |
| Multi-func.-digital-speedometer                       | Multifunktionsdigitaltacho             | Tachimetro digitale multifunzione                      |
| Pick up   | Impulsgeber                            | Pick up  |
| Position light  | Standlicht                             | Luce di posizione                                      |
| Rear brake light switch                               | hinterer Bremslichtschalter            | Interruttore luce post. di stop                        |
| Rear light / brakelight                               | hinteres Begrenzungslicht / Bremslicht | Luce post. di posizione/stop                           |
| Regulator-rectifier                                   | Regelgleichrichter                     | Regolatore-raddrizzatore                               |
| Right front flasher                                   | rechter vorderer Blinker               | Indicatore ant. dx                                     |
| Right rear flasher                                    | Rechter hinterer Blinker               | Indicatore post. dx                                    |
| Speed sensor  | Geschwindigkeitssensor                 | Sensore velocità                                       |
| Start button  | Starttaster                            | Pulsante d'avviamento                                  |
| Start relay   | Startrelais                            | Relè d'avviamento                                      |
| Starter motor   | Startermotor                           | Motorino d'avviamento                                  |
| Stop button   | Not-Aus-Schalter                       | Interruttore di arresto d'emergenza                    |

| CABLE COLOURS | KABELFARBEN | CAVO COLORATO |
|---------------|-------------|---------------|
| bl: black     | bl: schwarz | bl: nero      |
| br: brown     | br: braun   | br: marrone   |
| bu: blue      | bu: blau    | bu: blu       |
| gn: green     | gn: grün    | gn: verde     |
| gr: grey      | gr: grau    | gr: grigio    |
| or: orange    | or: orange  | or: arancione |
| pi: pink      | pi: rosa    | pi: rosa      |
| pu: purple    | pu: violett | pu: violetto  |
| re: red       | re: rot     | re: rosso     |
| wh: white     | wh: weiß    | wh: bianco    |
| ye: yellow    | ye: gelb    | ye: giallo    |

# SCHALTPLAN » WIRING DIAGRAMM

| ENGLISH   | FRANCAIS                                     | ESPAÑOL  |
|---|--|--|
| Battery   | Batterie                                     | Batería  |
| Capacitor   | Condensateur                                 | Condensador  |
| Cooling fan   | Ventilateur                                  | Motor del ventilador                               |
| Driving light lamp                                    | temoin feu route                             | lampara aviso luces largas                         |
| Flasher relay   | Relais de clignotants                        | Relé de la luz intermitente                        |
| Flasher control lamp                                  | temoin de clignoteur                         | lampara aviso intermitentes                        |
| Flasher switch  | buton de clignotants                         | Inerruptor de la luz intermitente                  |
| Front brake light switch                              | Contacteur de frein avant                    | Interruptor de luz del freno delantero             |
| Generator   | Alternateur                                  | Generador  |
| Handle bar switch for multi-func.-digital-speedometer | Contacteur au guidon pour ordinateur de bord | Interruptor de manillar para instrumento combinado |
| Headlight   | Phare  | Faro   |
| High / low beam switch                                | Contacteur code/phare                        | Interruptor de encender/apagar la luz larga        |
| Horn  | Avertisseur sonore                           | Cláxon   |
| Horn button   | Bouton d'avertisseur sonore                  | Interruptor del claxon                             |
| Ignition coil   | Bobine d'allumage                            | Bobina de encendido                                |
| Ignition curve selector                               | Prise courbe d'allumage                      | Conexión de la curva de encendido                  |
| Ignition switch                                       | Contacteur d'allumage                        | Cerradura de encendido                             |
| Left front flasher                                    | Clignotant avant gauche                      | Luz intermitente izquierda delantera               |
| Left rear flasher                                     | Clignotant arrière gauche                    | Luz intermitente izquierda trasera                 |
| Licence plate lamp                                    | Eclairage de plaque                          | Luz de la matricula                                |
| Light switch  | Contacteur d'électrique                      | Interruptor de luces                               |
| Multi-func.-digital-speedometer                       | Ordinateur de bord                           | Velocímetro digital multifuncional                 |
| Pick up   | Capteur d'allumage                           | Generador de impulsos                              |
| Position light  | feu de position                              | luz de posicion                                    |
| Rear brake light switch                               | Contacteur de frein arrière                  | Interruptor de luz del freno trasero               |
| Rear light / brakelight                               | Feu rouge/stop                               | Luces de parqueo traseras /luces de freno          |
| Regulator-rectifier                                   | Régulateur/redresseur                        | Regulador rectificador                             |
| Right front flasher                                   | Clignotant avant droit                       | Luz intermitente derecha delantera                 |
| Right rear flasher                                    | Clignotant arrière droit                     | Luz intermitente derecha trasera                   |
| Speed sensor  | Capteur de vitesse                           | Sensor de velocidad                                |
| Start button  | bouton de démarrage                          | botón de arranque                                  |
| Start relay   | Relais de démarreur                          | Relé del arranque                                  |
| Starter motor   | Démarreur                                    | Motor de arranque eléctrico                        |
| Stop button   | bouton d'arrêt d'urgence                     | interruptor de parada de emergencia                |

| CABLE COLOURS | COULEUR DE CABLE | COLOR DE CABLE |
|---------------|------------------|----------------|
| bl: black     | bl: noir         | bl: negro      |
| br: brown     | br: brun         | br: marron     |
| bu: blue      | bu: bleu         | bu: azul       |
| gn : green    | gn: vert         | gn: verde      |
| gr: grey      | gr: gris         | gr: gris       |
| or: orange    | or: orange       | or: naranja    |
| pi: pink      | pi: rose         | pi: rosado     |
| pu: purple    | pu: violet       | pu: violeta    |
| re: red       | re: rouge        | re: rojo       |
| wh: white     | wh: blanc        | wh: blanco     |
| ye: yellow    | ye: jaune        | ye: amarillo   |