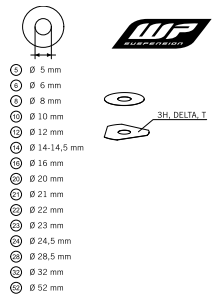
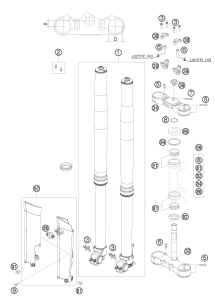
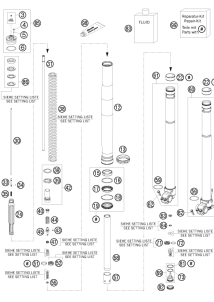
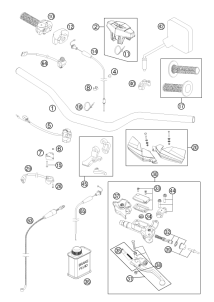
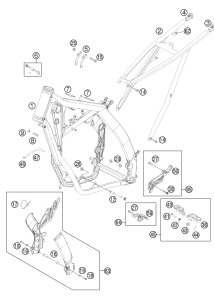
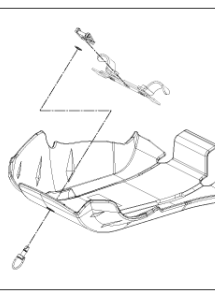
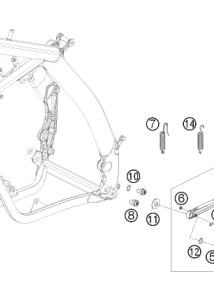
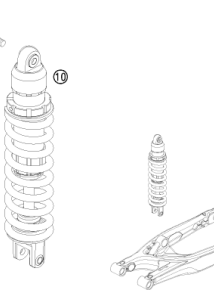
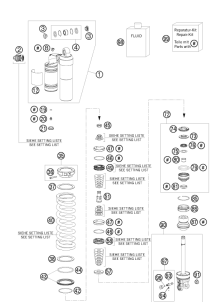
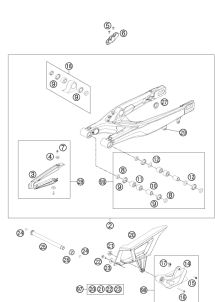
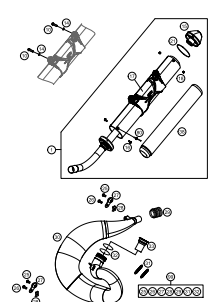
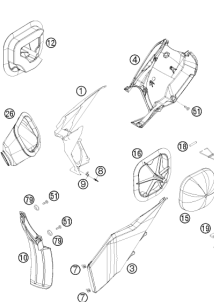
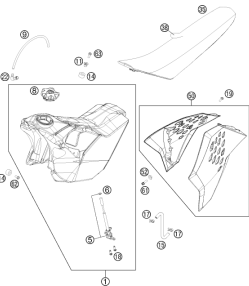
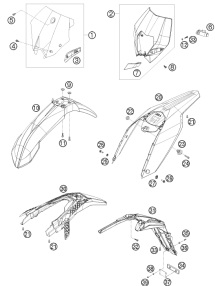
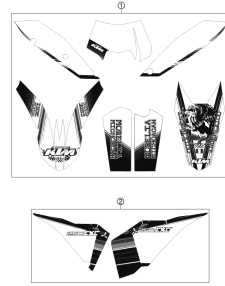
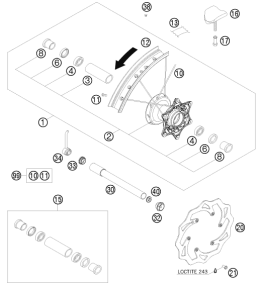
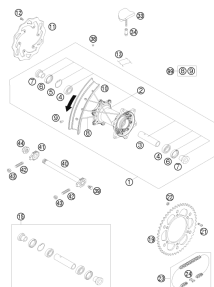
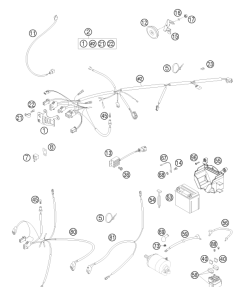
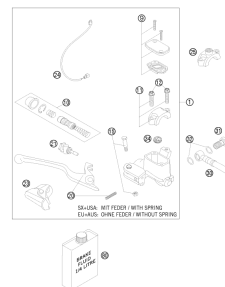
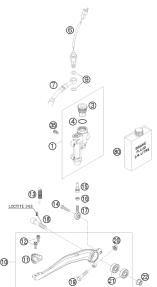
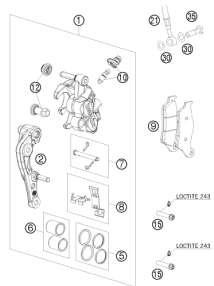
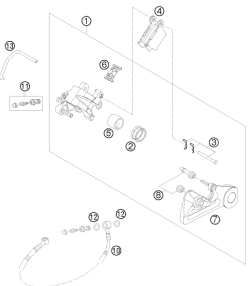
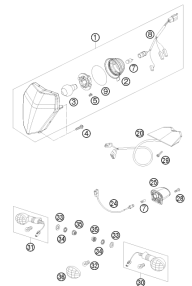
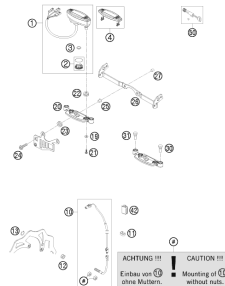


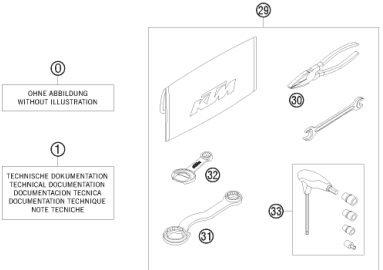

250 EXC SIX DAYS EU 2011

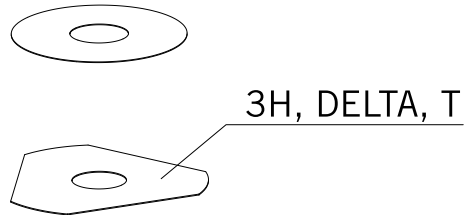
ART.-NR.: 3CF 7303K2EN



| | | | |
|---|---|--|--|
| <p>WP SHIMS FOR SETTING</p>  <p> ① Ø 5 mm ② Ø 6 mm ③ Ø 8 mm ④ Ø 10 mm ⑤ Ø 12 mm ⑥ Ø 14-14,5 mm ⑦ Ø 16 mm ⑧ Ø 20 mm ⑨ Ø 21 mm ⑩ Ø 22 mm ⑪ Ø 23 mm ⑫ Ø 24,5 mm ⑬ Ø 28,5 mm ⑭ Ø 32 mm ⑮ Ø 52 mm </p> <p>4</p> | <p>FRONT FORK, TRIPLE CLAMP</p>  <p>11</p> | <p>FRONT FORK DISASSEMBLED</p>  <p>12</p> | <p>HANDLEBAR, CONTROLS</p>  <p>14</p> |
| <p>FRAME</p>  <p>15</p> | <p>ENGINE GUARD</p>  <p>16</p> | <p>SIDE / CENTER STAND</p>  <p>17</p> | <p>SHOCK ABSORBER</p>  <p>18</p> |
| <p>SHOCK ABSORBER DISASSEMBLED</p>  <p>19</p> | <p>SWING ARM</p>  <p>21</p> | <p>EXHAUST SYSTEM</p>  <p>22</p> | <p>AIR FILTER</p>  <p>23</p> |

| | | | |
|---|--|---|---|
| <p>TANK, SEAT, COVER</p>  <p style="text-align: right;">24</p> | <p>MASK, FENDERS</p>  <p style="text-align: right;">25</p> | <p>DECAL</p>  <p style="text-align: right;">26</p> | <p>FRONT WHEEL</p>  <p style="text-align: right;">27</p> |
| <p>REAR WHEEL</p>  <p style="text-align: right;">28</p> | <p>WIRING HARNESS</p>  <p style="text-align: right;">30</p> | <p>HAND BRAKE CYLINDER</p>  <p style="text-align: right;">31</p> | <p>REAR BRAKE CONTROL</p>  <p style="text-align: right;">32</p> |
| <p>BRAKE CALIPER FRONT</p>  <p style="text-align: right;">33</p> | <p>BRAKE CALIPER REAR</p>  <p style="text-align: right;">34</p> | <p>LIGHTING SYSTEM</p>  <p style="text-align: right;">35</p> | <p>INSTRUMENTS / LOCK SYSTEM</p>  <p style="text-align: right;">36</p> |

| | | | |
|--|--|--|--|
| <p>ACCESSORIES KIT</p>  <p>37</p> | | | |
| | | | |
| |  <p>All information contained is without obligation. KTM-Sportmotorcycle AG particularly reserves the right to modify any equipment, technical specifications, prices, colors, shapes, materials, services, service work, constructions, equipment and the like so as to adapt them to local conditions or to cancel any of the above items, all without previous announcement and without giving reasons. KTM may stop manufacturing certain models without previous notice. KTM shall not be held liable for any deviations of availability and/or ability to deliver, illustrations, descriptions, printing and/or other errors. The illustrated models partly contain extra equipment, which is not applied to standard models.</p> <p>© by KTM-SPORTMOTORCYCLE AG, Mattighofen AUSTRIA; All rights reserved; Reprint, also in extracts, with written allowance of KTMSPORTMOTORCYCLE AG, Mattighofen only.</p> | | |



- ⑤ Ø 5 mm
- ⑥ Ø 6 mm
- ⑧ Ø 8 mm
- ⑩ Ø 10 mm
- ⑫ Ø 12 mm
- ⑭ Ø 14-14,5 mm
- ⑯ Ø 16 mm
- ⑳ Ø 20 mm
- ㉑ Ø 21 mm
- ㉒ Ø 22 mm
- ㉓ Ø 23 mm
- ㉔ Ø 24,5 mm
- ㉘ Ø 28,5 mm
- ㉚ Ø 32 mm
- ㉜ Ø 52 mm

| POS | PARTNUMBER | PARTNAME | PIECE |
|-----|------------|---------------------|-------|
| 5 | 44906890 | WASHER 5X15X2 | X |
| 6 | 40540400 | SHIM 6X12X0,1 | X |
| 6 | 40540401 | SHIM 6X14X0,1 | X |
| 6 | 40540402 | SHIM 6X16X0,1 | X |
| 6 | 40540403 | SHIM 6X18X0,1 | X |
| 6 | 40540404 | SHIM 6X12X0,15 | X |
| 6 | 40540405 | SHIM 6X14X0,15 | X |
| 6 | 40540406 | SHIM 6X16X0,15 | X |
| 6 | 40540407 | SHIM 6X18X0,15 | X |
| 6 | 40540408 | SHIM 6X12X0,2 | X |
| 6 | 40540409 | SHIM 6X14X0,2 | X |
| 6 | 40540410 | SHIM 6X16X0,2 | X |
| 6 | 40540411 | SHIM 6X18X0,2 | X |
| 6 | 48600095 | * SHIM 6X20X0,20 | X |
| 6 | 40540412 | SHIM 6X12X0,25 | X |
| 6 | 40540413 | SHIM 6X14X0,25 | X |
| 6 | 40540414 | SHIM 6X16X0,25 | X |
| 6 | 40540415 | SHIM 6X18X0,25 | X |
| 6 | 40540417 | SHIM 6X8,5X0,10 | X |
| 6 | 40540418 | SHIM 6X9X0,10 | X |
| 6 | 40540419 | SHIM 6X9,5X0,10 | X |
| 6 | 40540423 | SHIM 6X9,5X0,15 | X |
| 6 | 40540425 | SHIM 6X8,5X0,20 | X |
| 6 | 40540426 | SHIM 6X9X0,20 | X |
| 6 | 40540427 | SHIM 6X9,5X0,20 | X |
| 6 | 40540447 | SHIM 6X10X0,3 | X |
| 6 | 40540449 | SHIM 6X9X0,3 | X |
| 6 | 40540450 | SHIM 6X9,5X0,3 | X |
| 6 | 40540494 | SHIM 6X18X0,4 | X |
| 6 | 40540774 | SHIM 6X18X0,1 DELTA | X |
| 6 | 40541383 | SHIM 6X11X0,1 | X |
| 6 | 40541391 | SHIM 6X11X0,3 | X |
| 6 | 40541402 | SHIM 6X11X0,2 | X |
| 6 | 40541403 | SHIM 6X10X0,20 | X |
| 6 | 40541404 | SHIM 6X10X0,1 | X |
| 6 | 40541405 | SHIM 6X10X0,15 | X |
| 6 | 40541406 | SHIM 6X11X0,15 | X |
| 6 | 40541408 | SHIM 6X8,0X0,30 | X |

080000190

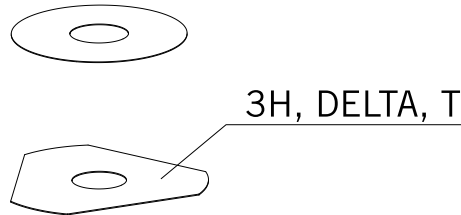
C070000190

* NEW PART

X ON DEMAND



- ⑤ Ø 5 mm
- ⑥ Ø 6 mm
- ⑧ Ø 8 mm
- ⑩ Ø 10 mm
- ⑫ Ø 12 mm
- ⑭ Ø 14-14,5 mm
- ⑯ Ø 16 mm
- ⑳ Ø 20 mm
- ㉑ Ø 21 mm
- ㉒ Ø 22 mm
- ㉓ Ø 23 mm
- ㉔ Ø 24,5 mm
- ㉘ Ø 28,5 mm
- ㉚ Ø 32 mm
- ㉜ Ø 52 mm



| POS | PARTNUMBER | PARTNAME | PIECE |
|-----|------------|----------------------|-------|
| 6 | 40541414 | SHIM 6X8,0X0,10 | X |
| 6 | 40541416 | SHIM 6X8X0,3 | X |
| 6 | 40541417 | SHIM 6X11X0,25 | X |
| 6 | 48600102 | * SHIM 6X24X0,25 | X |
| 6 | 48600063 | SHIM 6X24X0,1 | X |
| 6 | 48600064 | SHIM 6X22X0,1 | X |
| 6 | 48600065 | SHIM 6X20X0,1 | X |
| 6 | 48600069 | SHIM 6X20X0,15 | X |
| 6 | 48600100 | SHIM 6X24X0,15 | X |
| 6 | 48600116 | SHIM 6X24X0,1 DELTA | X |
| 6 | 48600139 | SHIM 6X22X0,1 DELTA | X |
| 6 | 48600217 | BACKPLATE 6X10X0,25 | X |
| 6 | 48600325 | SHIM 6X13X0,1 | X |
| 6 | 48600327 | SHIM 6X15X0,1 | X |
| 6 | 48600329 | SHIM 6X17X0,1 | X |
| 6 | 48600331 | SHIM 6X19X0,1 | X |
| 6 | 48600096 | * SHIM 6X20X0,25 | X |
| 6 | 48600097 | SHIM 6X22X0,15 | X |
| 6 | 48600099 | * SHIM 6X22X0,25 | X |
| 6 | 40540448 | BACKPLATE 6X8,5X0,30 | X |
| 6 | 48600479 | SHIM 6X20X0,1 T/3H | X |
| 6 | 48600332 | SHIM 6X21X0,1 | X |
| 6 | 48600333 | SHIM 6X23X0,1 | X |
| 6 | 40541393 | * SHIM 6X12X0,3 | X |
| 8 | 40540477 | SHIM 8X18X0,4 | X |
| 8 | 43570120 | SHIM 8X18X0,10 | X |
| 8 | 44916098 | WASHER 8,4X16X0,8 | X |
| 8 | 44916130 | WASHER 8,2X15X1 | X |
| 8 | 44916180 | WASHER 8,2X11X1 | X |
| 8 | 48600214 | SHIM 8X16X0,1 | X |
| 8 | 48600346 | SHIM 8X11X0,2 | X |
| 8 | 48600215 | CHECK VALVE 8X20X0,1 | X |
| 8 | 48600061 | CHECK VALVE 8X24X0,4 | X |
| 8 | 48600062 | CHECK VALVE 8X24X0,1 | X |
| 8 | 48600216 | CHECK VALVE 8X22X0,1 | X |
| 8 | 48600480 | SHIM 8X10X0,20 | X |
| 8 | 48600555 | SHIM 8X16X0,20 | X |
| 8 | 48600213 | SHIM 8X14X0,10 | X |

080000190

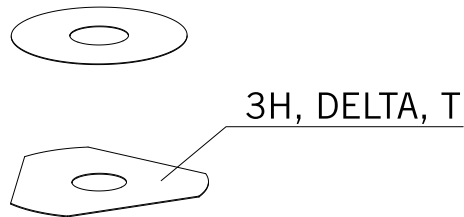
C070000190

* NEW PART

X ON DEMAND



- ⑤ Ø 5 mm
- ⑥ Ø 6 mm
- ⑧ Ø 8 mm
- ⑩ Ø 10 mm
- ⑫ Ø 12 mm
- ⑭ Ø 14-14,5 mm
- ⑯ Ø 16 mm
- ⑰ Ø 20 mm
- ⑱ Ø 21 mm
- ⑳ Ø 22 mm
- ㉑ Ø 23 mm
- ㉒ Ø 24,5 mm
- ㉔ Ø 28,5 mm
- ㉖ Ø 32 mm
- ㉘ Ø 52 mm



| POS | PARTNUMBER | PARTNAME | PIECE |
|-----|------------|------------------------|-------|
| 8 | 48600357 | CHECK VALVE 8X11X0,1 | X |
| 8 | 48600351 | CHECK VALVE 8X12X0,1 | X |
| 8 | 48600607 | SHUTTLE VALVE 8X20X0,4 | X |
| 10 | 36120284 | SHIM 10X16X0,10 | X |
| 10 | 36120298 | SHIM 10X16X0,2 | X |
| 10 | 36120312 | SHIM 10X16X0,30 | X |
| 10 | 36120314 | SHIM 10X18X0,30 | X |
| 10 | 36120325 | SHIM 10X19X0,15 | X |
| 10 | 36120327 | SHIM 10X23X0,15 | X |
| 10 | 36120328 | SHIM 10X25X0,15 | X |
| 10 | 36120329 | SHIM 10X27X0,15 | X |
| 10 | 36120330 | SHIM 10X29X0,15 | X |
| 10 | 36120331 | SHIM 10X31X0,15 | X |
| 10 | 36120332 | SHIM 10X33X0,15 | X |
| 10 | 36120334 | SHIM 10X21X0,20 | X |
| 10 | 36120335 | SHIM 10X23X0,20 | X |
| 10 | 36120336 | SHIM 10X25X0,20 | X |
| 10 | 36120337 | SHIM 10X27X0,20 | X |
| 10 | 36120338 | SHIM 10X29X0,20 | X |
| 10 | 36120339 | SHIM 10X31X0,20 | X |
| 10 | 36120340 | SHIM 10X33X0,20 | X |
| 10 | 36120342 | SHIM 10X21X0,25 | X |
| 10 | 36120343 | SHIM 10X23X0,25 | X |
| 10 | 36120344 | SHIM 10X25X0,25 | X |
| 10 | 36120345 | SHIM 10X27X0,25 | X |
| 10 | 36120349 | SHIM 10X19X0,30 | X |
| 10 | 36120350 | SHIM 10X21X0,30 | X |
| 10 | 40140275 | WASHER 10X35X0,15 | X |
| 10 | 36120346 | * SHIM 10X29X0,25 | X |
| 10 | 50180010 | * SHIM 16X24X0,10 | X |
| 10 | 36120604 | SHIM D10XD22X2,5 | X |
| 12 | 46810490 | SHIM 12X24X0,20 | X |
| 12 | 46810491 | SHIM 12X26X0,20 | X |
| 12 | 46810492 | SHIM 12X28X0,20 | X |
| 12 | 46810493 | SHIM 12X30X0,20 | X |
| 12 | 46810494 | SHIM 12X32X0,20 | X |
| 12 | 46810495 | SHIM 12X34X0,20 | X |
| 12 | 46810496 | SHIM 12X36X0,20 | X |

080000190

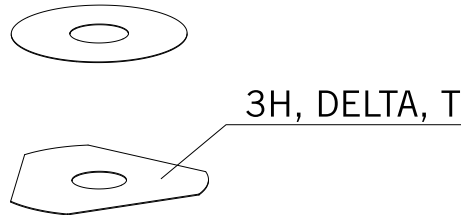
C070000190

* NEW PART

X ON DEMAND



- ⑤ Ø 5 mm
- ⑥ Ø 6 mm
- ⑧ Ø 8 mm
- ⑩ Ø 10 mm
- ⑫ Ø 12 mm
- ⑭ Ø 14-14,5 mm
- ⑯ Ø 16 mm
- ⑳ Ø 20 mm
- ㉑ Ø 21 mm
- ㉒ Ø 22 mm
- ㉓ Ø 23 mm
- ㉔ Ø 24,5 mm
- ㉘ Ø 28,5 mm
- ㉚ Ø 32 mm
- ㉜ Ø 52 mm



| POS | PARTNUMBER | PARTNAME | PIECE |
|-----|------------|----------------------|-------|
| 12 | 46810497 | SHIM 12X38X0,20 | X |
| 12 | 46810498 | SHIM 12X40X0,20 | X |
| 12 | 46810499 | SHIM 12X24X0,25 | X |
| 12 | 46810500 | SHIM 12X26X0,25 | X |
| 12 | 46810501 | SHIM 12X28X0,25 | X |
| 12 | 46810502 | SHIM 12X30X0,25 | X |
| 12 | 46810504 | SHIM 12X34X0,25 | X |
| 12 | 46810505 | SHIM 12X36X0,25 | X |
| 12 | 46810507 | SHIM 12X40X0,25 | X |
| 12 | 46810508 | SHIM 12X24X0,30 | X |
| 12 | 46810509 | SHIM 12X26X0,30 | X |
| 12 | 46810510 | SHIM 12X28X0,30 | X |
| 12 | 46810512 | SHIM 12X32X0,30 | X |
| 12 | 46810513 | SHIM 12X34X0,30 | X |
| 12 | 46810518 | SHIM 12X26X0,15 | X |
| 12 | 46810519 | SHIM 12X28X0,15 | X |
| 12 | 46810520 | SHIM 12X30X0,15 | X |
| 12 | 46810521 | SHIM 12X32X0,15 | X |
| 12 | 46810522 | SHIM 12X34X0,15 | X |
| 12 | 46810523 | SHIM 12X36X0,15 | X |
| 12 | 46810524 | SHIM 12X38X0,15 | X |
| 12 | 46810525 | SHIM 12X40X0,15 | X |
| 12 | 46810604 | SHIM 12X20X0,10 | X |
| 12 | 46810606 | SHIM 12X22X0,10 | X |
| 12 | 46810607 | SHIM 12X23X0,10 | X |
| 12 | 46810608 | SHIM 12X24X0,10 | X |
| 12 | 46810610 | SHIM 12X27X0,15 | X |
| 12 | 46810611 | SHIM 12X18X0,15 | X |
| 12 | 46810612 | SHIM 12X19X0,15 | X |
| 12 | 46810615 | SHIM 12X22X0,15 | X |
| 12 | 46810636 | BACKPLATE 12X16X0,30 | X |
| 12 | 46810637 | BACKPLATE 12X17X0,30 | X |
| 12 | 46810638 | BACKPLATE 12X18X0,30 | X |
| 12 | 46810639 | SHIM 12X19X0,30 | X |
| 12 | 46810641 | BACKPLATE 12X21X0,30 | X |
| 12 | 46811582 | BACKPLATE 12X30X0,10 | X |
| 12 | 46810631 | SHIM 12X20X0,25 | X |
| 12 | 46810633 | SHIM 12X22X0,25 | X |

080000190

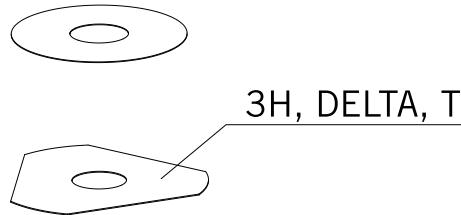
C070000190

* NEW PART

X ON DEMAND



- ⑤ Ø 5 mm
- ⑥ Ø 6 mm
- ⑧ Ø 8 mm
- ⑩ Ø 10 mm
- ⑫ Ø 12 mm
- ⑭ Ø 14-14,5 mm
- ⑯ Ø 16 mm
- ⑳ Ø 20 mm
- ㉑ Ø 21 mm
- ㉒ Ø 22 mm
- ㉓ Ø 23 mm
- ㉔ Ø 24,5 mm
- ㉘ Ø 28,5 mm
- ㉚ Ø 32 mm
- ㉜ Ø 52 mm



| POS | PARTNUMBER | PARTNAME | PIECE |
|-----|------------|----------------------|-------|
| 12 | 46810624 | * SHIM 12X22X0,20 | X |
| 12 | 46811580 | SHIM 12X32X0,10 | X |
| 12 | 46810503 | SHIM 12X32X0,25 | X |
| 12 | 46810517 | * SHIM 12X24X0,15 | X |
| 12 | 46810640 | SHIM 12X20X0,30 | X |
| 14 | 46811046 | SHIM 14,5X35,4X1,25 | X |
| 16 | 50180006 | BACKPLATE 16X20X0,10 | X |
| 16 | 50180007 | SHIM 16X21X0,10 | X |
| 16 | 50180028 | SHIM 16X21X0,25 | X |
| 16 | 50180210 | WASHER 16X21X1 | X |
| 16 | 50180008 | SHIM 16X22X0,10 | X |
| 16 | 50180022 | SHIM 16X22X0,20 | X |
| 16 | 50180037 | SHIM 16X23X0,30 | X |
| 16 | 50180038 | SHIM 16X24X0,30 | X |
| 16 | 50180032 | SHIM 15X25X0,25 | X |
| 16 | 50180039 | SHIM 16X25X0,30 | X |
| 16 | 50180012 | SHIM 16X26X0,10 | X |
| 16 | 50180019 | SHIM 16X26X0,15 | X |
| 16 | 50180026 | SHIM 16X26X0,20 | X |
| 16 | 50180040 | SHIM 16X26X0,30 | X |
| 16 | 50180041 | SHIM 16X28X0,10 | X |
| 16 | 50180045 | SHIM 16X28X0,15 | X |
| 16 | 50180054 | SHIM 16X28X0,20 | X |
| 16 | 50180063 | SHIM 16X28X0,25 | X |
| 16 | 50180072 | SHIM 16X28X0,30 | X |
| 16 | 50180046 | SHIM 16X30X0,15 | X |
| 16 | 50180055 | SHIM 16X30X0,20 | X |
| 16 | 50180064 | SHIM 16X30X0,25 | X |
| 16 | 50180073 | SHIM 16X30X0,30 | X |
| 16 | 50180047 | SHIM 16X32X0,15 | X |
| 16 | 50180056 | SHIM 16X32X0,20 | X |
| 16 | 50180065 | SHIM 16X32X0,25 | X |
| 16 | 50180074 | SHIM 16X32X0,30 | X |
| 16 | 50180044 | SHIM 16X34X0,10 | X |
| 16 | 50180048 | SHIM 16X34X0,15 | X |
| 16 | 50180057 | SHIM 16X34X0,20 | X |
| 16 | 50180066 | SHIM 16X34X0,25 | X |
| 16 | 50180075 | SHIM 16X34X0,30 | X |

080000190

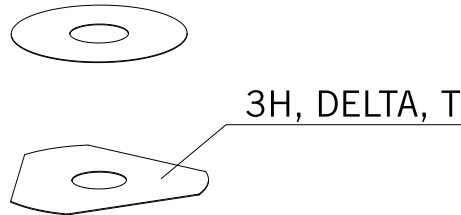
C070000190

* NEW PART

X ON DEMAND



- ⑤ Ø 5 mm
- ⑥ Ø 6 mm
- ⑧ Ø 8 mm
- ⑩ Ø 10 mm
- ⑫ Ø 12 mm
- ⑭ Ø 14-14,5 mm
- ⑯ Ø 16 mm
- ⑳ Ø 20 mm
- ㉑ Ø 21 mm
- ㉒ Ø 22 mm
- ㉓ Ø 23 mm
- ㉔ Ø 24,5 mm
- ㉘ Ø 28,5 mm
- ㉚ Ø 32 mm
- ㉜ Ø 52 mm



| POS | PARTNUMBER | PARTNAME | PIECE |
|-----|------------|-----------------------------|-------|
| 16 | 50180049 | SHIM 16X36X0,15 | X |
| 16 | 50180058 | SHIM 16X36X0,20 | X |
| 16 | 50180067 | SHIM 16X36X0,25 | X |
| 16 | 50180076 | SHIM 16X36X0,30 | X |
| 16 | 50180050 | SHIM 16X38X0,15 | X |
| 16 | 50180059 | SHIM 16X38X0,20 | X |
| 16 | 50180068 | SHIM 16X38X0,25 | X |
| 16 | 50180077 | SHIM 16X38X0,30 | X |
| 16 | 50180051 | SHIM 16X40X0,15 | X |
| 16 | 50180060 | SHIM 16X40X0,20 | X |
| 16 | 50180069 | SHIM 16X40X0,25 | X |
| 16 | 50180078 | SHIM 16X40X0,30 | X |
| 16 | 50180052 | SHIM 16X42X0,15 | X |
| 16 | 50180061 | SHIM 16X42X0,20 | X |
| 16 | 50180070 | SHIM 16X42X0,25 | X |
| 16 | 50180079 | SHIM 16X42X0,30 | X |
| 16 | 50180053 | SHIM 16X44X0,15 | X |
| 16 | 50180062 | SHIM 16X44X0,20 | X |
| 16 | 50180071 | SHIM 16X44X0,25 | X |
| 16 | 50180080 | SHIM 16X44X0,30 | X |
| 16 | 50180177 | WASHER 16X8,2X0,6 | X |
| 16 | 50180033 | SHIM 16X26X0,25 | X |
| 16 | 50180034 | BACKPLATE 16X20X0,30 | X |
| 16 | 50180035 | BACKPLATE 16X21X0,30 | X |
| 16 | 50180036 | BACKPLATE 16X22X0,30 | X |
| 16 | 50180043 | SHIM | X |
| 16 | 50180024 | * SHIM 16X24X0,20 | X |
| 16 | 50180027 | * SHIM 16X20X0,25 | X |
| 16 | 50180031 | SHIM | X |
| 20 | 48600212 | PRESSURE-RING 20X16,25X0,20 | X |
| 20 | 50180666 | SHIM 20X24X0,30 | X |
| 20 | 50180654 | SHIM 20X36X0,20 | X |
| 20 | 50180655 | SHIM 20X38X0,20 | X |
| 20 | 50180656 | SHIM 20X40X0,20 | X |
| 20 | 50180665 | SHIM 20X40X0,25 | X |
| 20 | 50180662 | SHIM 20X34X0,25 | X |
| 20 | 50180657 | SHIM 20X24X0,25 | X |
| 20 | 50180653 | SHIM 20X34X0,20 | X |

080000190

C070000190

* NEW PART

X ON DEMAND



- ⑤ Ø 5 mm
- ⑥ Ø 6 mm
- ⑧ Ø 8 mm
- ⑩ Ø 10 mm
- ⑫ Ø 12 mm
- ⑭ Ø 14-14,5 mm
- ⑯ Ø 16 mm
- ⑳ Ø 20 mm
- ㉑ Ø 21 mm
- ㉒ Ø 22 mm
- ㉓ Ø 23 mm
- ㉔ Ø 24,5 mm
- ㉘ Ø 28,5 mm
- ㉚ Ø 32 mm
- ㉜ Ø 52 mm



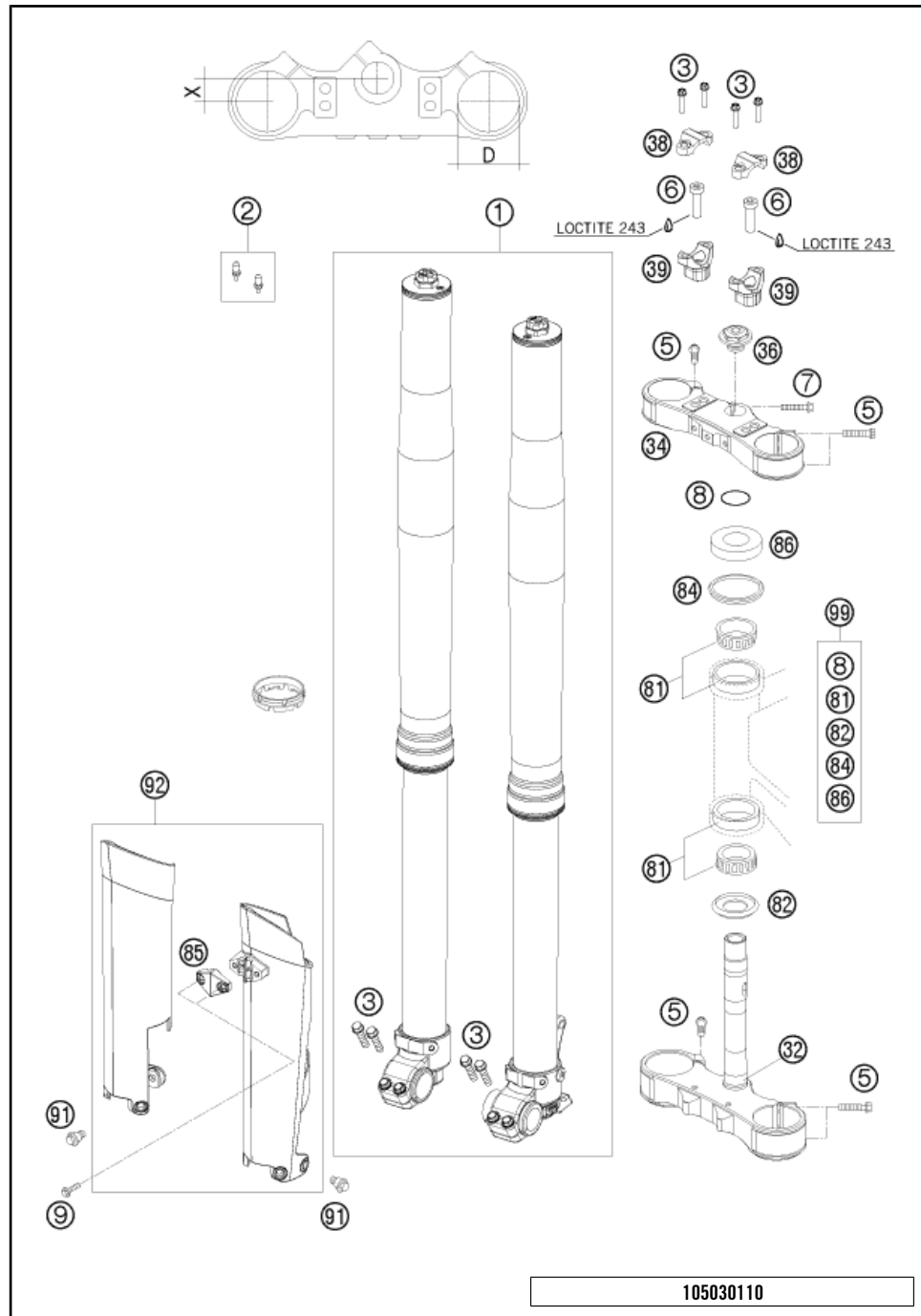
| POS | PARTNUMBER | PARTNAME | PIECE |
|-----|------------|--------------------------|-------|
| 20 | 50180634 | RING 20X22,9X1 | X |
| 21 | 50180209 | WASHER 21X36X0,25 | X |
| 22 | 50180330 | * PRESS. RING 22X18X0,30 | X |
| 23 | 50180635 | SHUTTLE VALVE 23X38X0,25 | X |
| 23 | 50180578 | SHIM D23XD16X2 | X |
| 24 | 40541061 | WASHER 24,5X34X2 | X |
| 28 | 36120469 | SHIM 28,5X14X2 | X |
| 28 | 36120471 | SHIM 28,5X14X5 | X |
| 32 | 48600460 | WASHER 32X42X2,5 | X |
| 32 | 50600065 | SHIM 32X45X2 | X |
| 32 | 46811637 | PRESSURE RING 36X32,25 | X |
| 52 | 50600002 | SHIM 52X59X2,2 | X |

080000190

C070000190

* NEW PART

X ON DEMAND

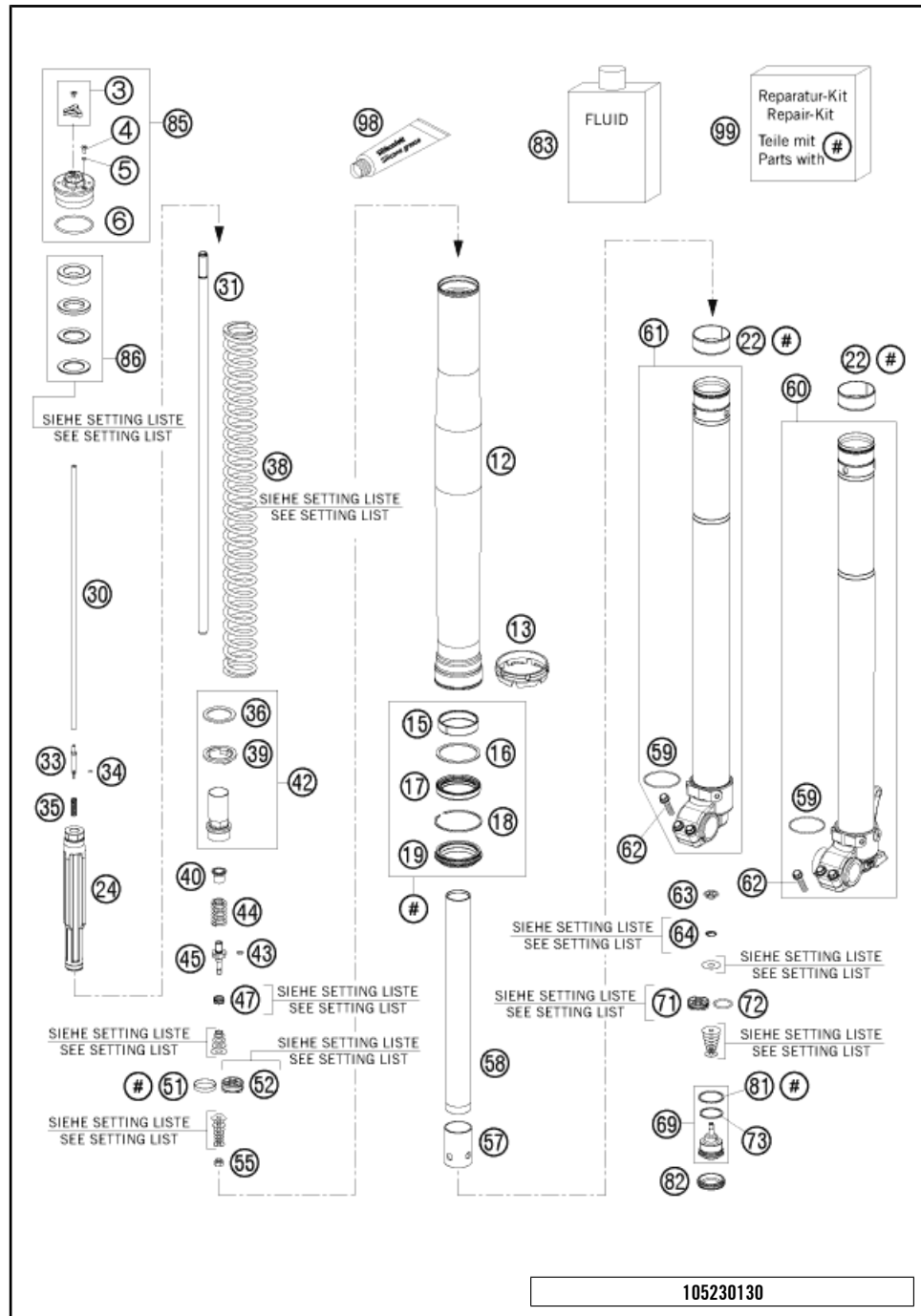


| POS | PARTNUMBER | PARTNAME | PIECE |
|-----|---------------|--------------------------------|-------|
| 1 | 14187J0401 | FORK KTM 250/300 EXC/F/W 2010 | 1 |
| 2 | SXS08125610 | BLEEDER VALVE SET | 1 |
| 3 | 0025080256 | HH COLLAR SCREW M8X25 TX40 | 8 |
| 5 | 0025080356 | HH COLLAR SCREW M8X35 TX40 | 8 |
| 6 | 0912100356 | %AH SCREW DIN6912-M10X35 10.9 | 2 |
| 7 | 0025080256S | HH COLLAR SCREW M8X25 TX40 | 1 |
| 8 | 0770025035 | O-RING 25X3,55 NBR70 05 | 1 |
| 9 | 0017060204 | EJOT PT SCREW K60X20 ALU WS=6 | 2 |
| 32 | 7800103211930 | BOT. TR. CLAMP CPL. X=19MM 09 | 1 |
| 34 | 5940103401930 | TOP TRIPLE CLAMP D=54MM 09 | 1 |
| 36 | 54801036000 | STEER.HEAD SCREW M20X1,5 WS=27 | 1 |
| 38 | 59401038000 | % HANDLEBAR CLAMP 28MM 05 | 2 |
| 39 | 59401039032 | HANDLEB.SUPP. D=28MM H=32MM 05 | 2 |
| 39 | 59401039037 | HANDLEB.SUPP. D=28MM H=37MM 05 | 2 |
| 39 | 59401039042 | HANDLEB.SUPP. D=28MM H=42MM 05 | 2 |
| 81 | 54201081100 | TAPERED ROLLER BEARING CPL. 06 | 2 |
| 82 | 54601084100 | O-RING SUPPORT W. SEALING LIP | 1 |
| 84 | 54601184000 | STEERING HEAD GASKET TOP | 1 |
| 85* | 7800108500028 | CLAMP F. SPEED. CABLE D=6MM 08 | 1 |
| 86 | 54201086000 | % STEERING HEAD COVER | 1 |
| 91 | 59001092050 | SPECIAL SCREW M6X12,5 WS=8 | 6 |
| 92* | 7800109410028 | FORK PROTECT. L/S+R/S WHITE 09 | 1 |
| 99 | 00050000930 | STEERING HEAD REP. KIT 06-13 | x |

105030110

C115480114

* NEW PART X ON DEMAND



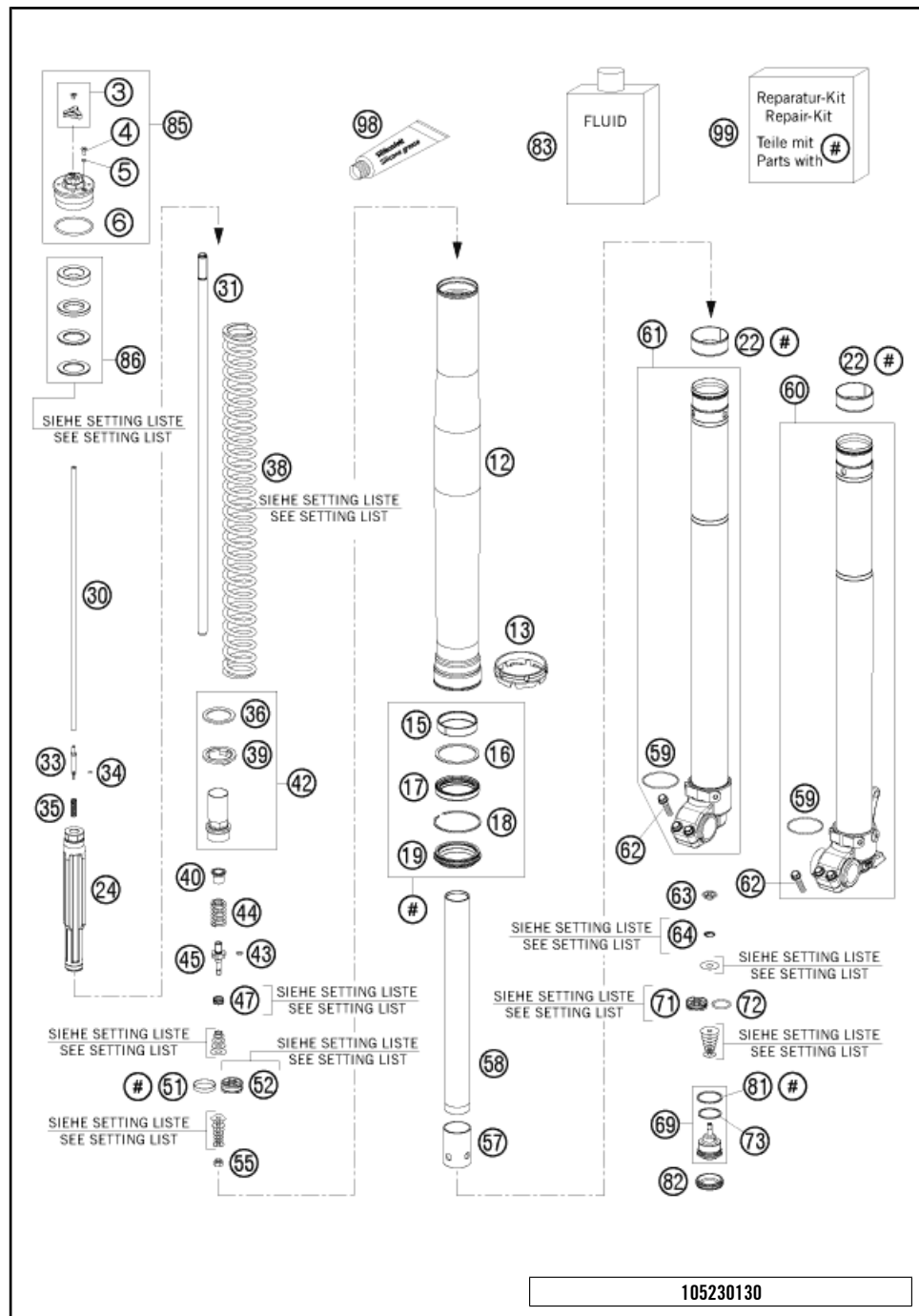
105230130

| POS | PARTNUMBER | PARTNAME | PIECE |
|-----|------------|--------------------------------|-------|
| 3 | 48600812S | ADJUSTING KNOB + SCREW | 2 |
| 4 | 48600481 | VENT SCREW M4X8 | 2 |
| 5 | 48600046 | O-RING NBR 3X1,5 | 2 |
| 6 | 46810340 | O-RING NBR 45X2 | 1 |
| 12 | 48600736 | OUTER TUBE L577 D54/60MM 2L | 2 |
| 13 | 48600698 | FORK PROTECTION RING 08 | 2 |
| 15 | 48600429 | DU-BUSH D48XD52X12DDL02 | 2 |
| 16 | 48600013 | SUPPORT RING 50 X 57,6 X 1,5 | 2 |
| 17 | 48600347 | OIL SEAL RING 48X57,8X9,5 03 | 2 |
| 18 | 48600070 | LOCK WASHER SB58 | 2 |
| 19 | 48600400 | DUST CAP D=48 58,4X11,8 | 2 |
| 22 | 48600428 | DU-BUSH D47XD49X20DDL02 | 2 |
| 24 | 48600557S | HYDR.STOP L=200 D=31,9 CPL. 07 | 2 |
| 30 | 48600559 | ADJUSTING TUBE L=520 07 | 2 |
| 31 | 48600568 | PISTON ROD D=12 L=554 ALU | 2 |
| 33 | 48600277 | ADJUSTER NEEDLE 07 | 2 |
| 34 | 48600298 | O-RING 2X1,5 NBR | 2 |
| 35 | 48600444 | REBOUND SPRING C=4N/MM | 2 |
| 36 | 48600113 | WASHER 32X42X2,5 | 2 |
| 38 | 91410012S | SPRING 3,8N/MM SET D=4,9MM | x |
| 38 | 91410013S | SPRING 4,0N/MM SET D=5,0MM | x |
| 38 | 91410014S | SPRING 4,2N/MM SET D=5,0MM | x |
| 38 | 91410015S | SPRING 4,4N/MM SET D=5,1MM | x |
| 38 | 91410016S | SPRING 4,6N/MM SET | x |
| 38 | 91410017S | SPRING 4,8N/MM SET | x |
| 39 | 48600021 | INTERM. RING 26,2 X 43 X 3 | 2 |
| 40 | 48600525 | GUIDING BUSH REBOUND SPRING | 2 |
| 42 | 48600830S | SCREW SLEEVE M27X0,8 | 2 |
| 43 | 48600299 | O-RING 6X1,2 NBR | 2 |
| 44 | 48600511 | REBOUND SPRING L=32 C=17 | 2 |
| 45 | 48600576 | PISTON ROD REBOUND | 2 |
| 47 | 48600382 | SHUTTLE VALVE SPRING C=0,4 | 2 |
| 51 | 48600455 | PISTON RING 5X1X68 | 2 |
| 52 | 48600575 | PISTON REBOUND SX 2007 | 2 |
| 55 | 40540486 | NUT M6X0,5 REBOUND | 2 |
| 57 | 48600764 | ADAPTER SLEEVE D23/D28 | 2 |
| 58 | 48600763 | PIPE D23/L350 09 | 2 |
| 59 | 48600048 | O-RING NBR 46 X 2 | 2 |

C108120130

* NEW PART

X ON DEMAND

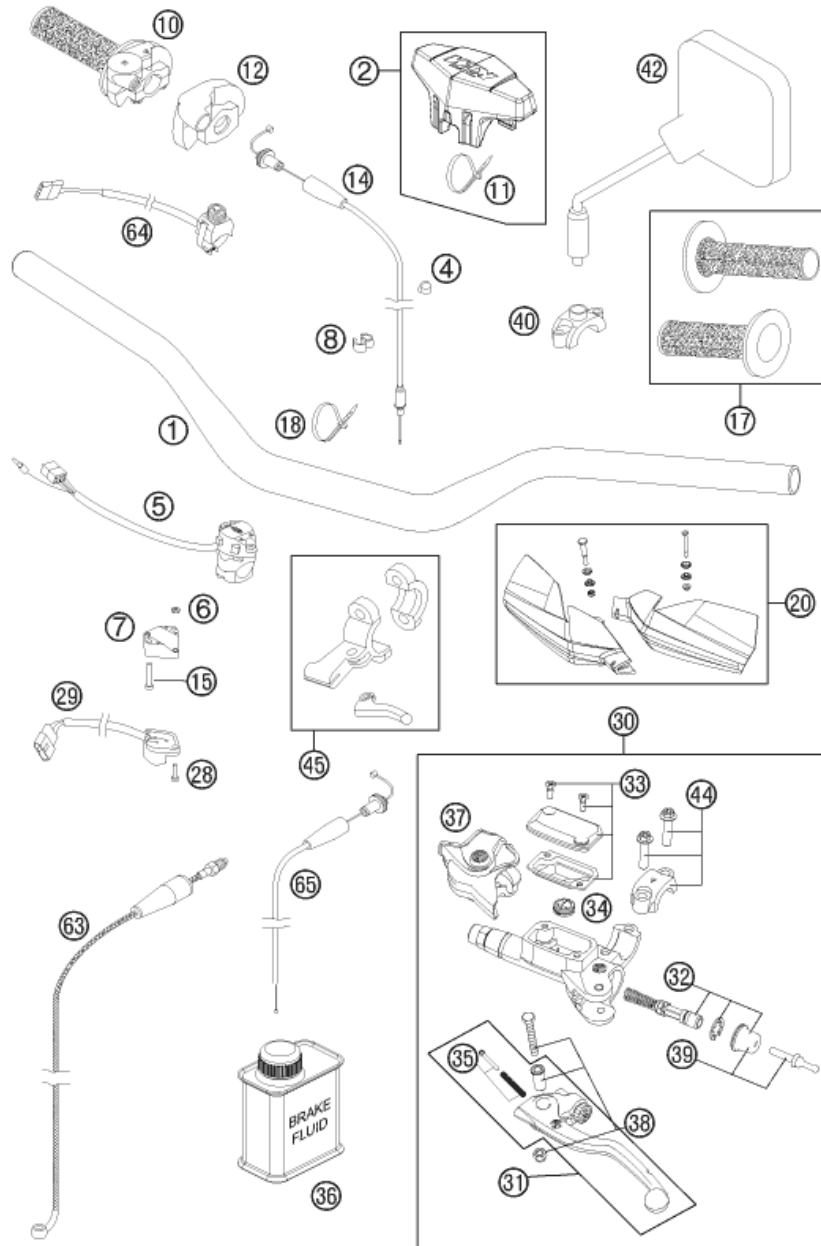


| POS | PARTNUMBER | PARTNAME | PIECE |
|-----|------------|--------------------------------|-------|
| 60 | 48600860SA | AXLE CLAMP L/S + TUBE CPL. | 1 |
| 61 | 48600861S1 | AXLE CLAMP R/S + TUBE CPL. 09 | 1 |
| 62 | 0025080256 | HH COLLAR SCREW M8X25 TX40 | 4 |
| 63 | 48600163 | CHECK VALVE NUT M6X0,5 D=2 | 2 |
| 64 | 48600202 | SPRING CHECK VALVE D=0,7 | 2 |
| 69 | 48600586S | TAP COMPRESSION CPL. 07 | 2 |
| 71 | 48600047 | PISTON COMPRESSION D=27,9 | 2 |
| 72 | 46811499 | O-RING NBR 21X2 | 2 |
| 73 | 35480320 | O-RING NBR 24X2 | 2 |
| 81 | 48600004 | COPPER WASHER 29,5X33,5X1 | 2 |
| 82 | 48600141 | RUBBER CAP D=35MM | 2 |
| 83 | 48600765S1 | % FORK OIL SAE5 5L 2008 | 1 |
| 85 | 48600431S2 | PRE-LOAD ADJ. M51X1,5 09 | 2 |
| 86 | 48600038 | SPACER 42X26,5X10 | x |
| 86 | 48600037 | SPACER 42X26,5X5 | x |
| 86 | 48600036 | SPACER 42X26,5X2,5 | x |
| 86 | 48600053 | SPACER 42X26,5X1,5 | x |
| 98 | T511 | SILICONE GREASE F. DUST STRI | 1 |
| 99 | R14016 | REPAIR-KIT EXC FRONT FORK 2009 | 1 |

105230130

C108120130

* NEW PART X ON DEMAND



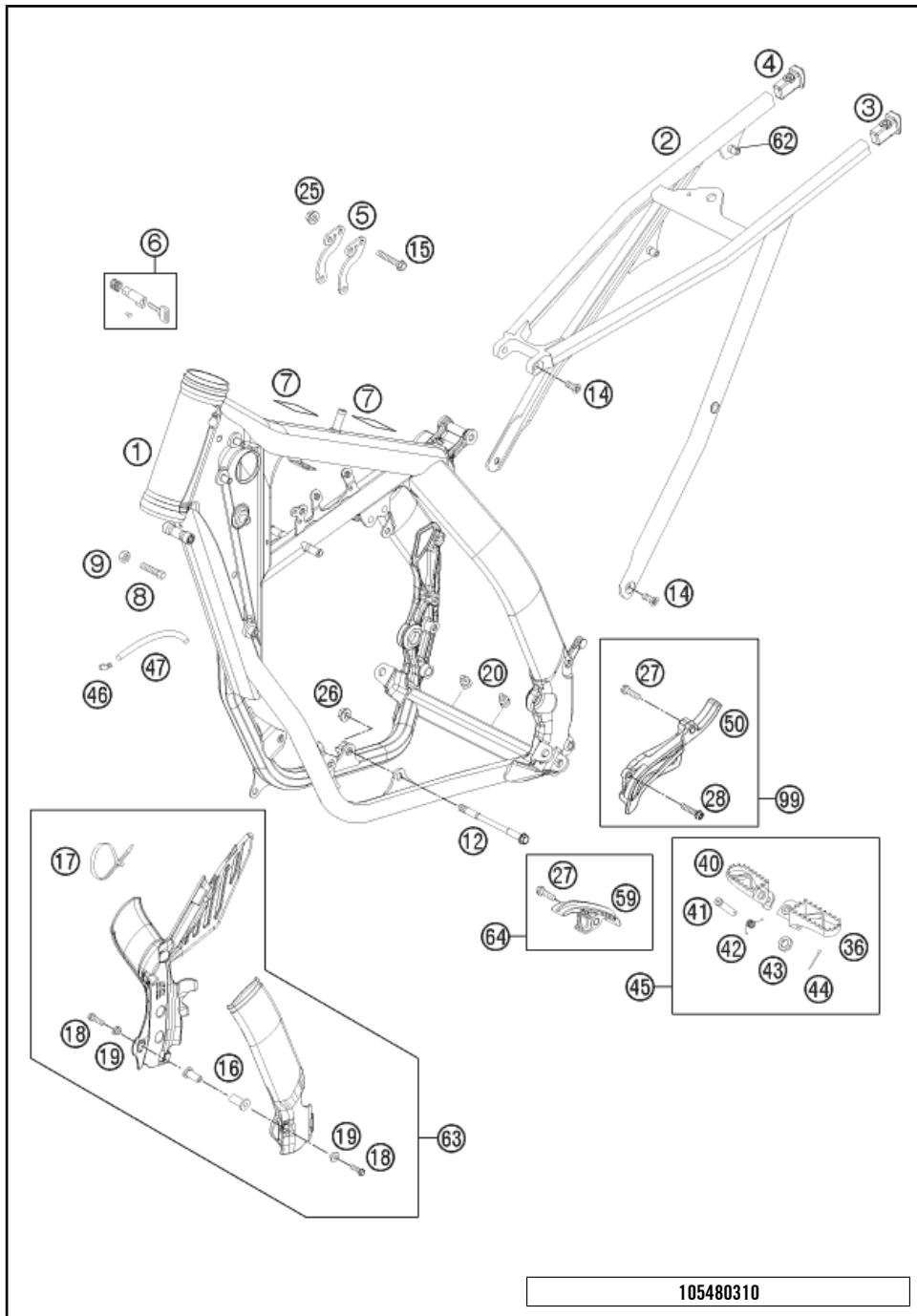
| POS | PARTNUMBER | PARTNAME | PIECE |
|-----|---------------|--------------------------------|-------|
| 1 | 5480200130017 | HANDLEBAR NEKEN D=28MM EXC 07 | 1 |
| 2 | 77202002100 | % BAR PAD CPL. | 1 |
| 4 | 57013072100 | WIRING HOLDER 16MM | 1 |
| 5 | 50311070000 | H.LIGHT SWITCH CEV 2/4TAKT '98 | 1 |
| 6 | 0934040003 | HEXAGON NUT DIN0934-M 4 | 2 |
| 7 | 13011070060 | ADAPTER FOR FLASHER SWITCH '98 | 1 |
| 8 | 60111094000 | CLAMP 5/7 MM 06 | 2 |
| 10 | 54802010100 | % THROTTLE GRIP CPL. 09 | 1 |
| 11 | 44011076305 | CABLE TIE 300/4,8MM BLACK | x |
| 12 | 50302020000 | PROTECTION COVER '97 | 1 |
| 14 | 50302091000 | % THROTTLE C. 125-380 DOM/KEIH | 1 |
| 15 | 0084040223 | CYL.HEAD SCREW DIN0084-M 4X22A | 2 |
| 17 | 54802021200 | GRIP-SET GRAY/ORANGE 09 | 1 |
| 18 | 44011076200 | CABLE TIE 200/3,6MM BLACK | 1 |
| 20 | 7700207900004 | HAND GUARDS CPL.L/S+R/S OR. 06 | 1 |
| 28 | 0985040203 | FLAT HEAD SCREW DIN7985-M 4X20 | 2 |
| 29 | 50311029000 | FLASHER SWITCH CEV '98 | 1 |
| 30 | 54802030044 | MASTER CYLINDER CPL. 06 | 1 |
| 31 | 54802031000 | CLUTCH LEVER CPL. BREMBO 06 | 1 |
| 32 | 54802032000 | REP. KIT PISTON 06 | 1 |
| 33 | 54802003000 | COVER HYD. CLUTCH CPL. | 1 |
| 34 | 54802051000 | VALVE | 1 |
| 35 | 54802052000 | BOLT KPL. | 1 |
| 36 | 00062030000 | BRAKE FLUID DOT5.1 0,25L | 1 |
| 37 | 54802037000 | PROTECTION CAP 06 | 1 |
| 38 | 54802038100 | LEVER SCREW CPL. 06 | 1 |
| 39 | 54802046000 | PUSH ROD CPL. | 1 |
| 40 | 58012040150 | CLAMP FOR MIRROR '94 | x |
| 42 | 58012040000 | REAR MIRROR L/S | 1 |
| 42 | 58012140000 | REAR MIRROR R/S | 1 |
| 44 | 54802005100 | CLAMP CPL. 06 | 1 |
| 45 | 78002050000 | LEVER F. COLD START ACT. 08 | 1 |
| 63 | 54832063000 | CLUTCH PIPE 06 | 1 |
| 64 | 59411074000 | STARTER CONTROL 04 | 1 |
| 65 | 54831078000 | CABLE F. COLD START ACT. 08 | 1 |

115480211

C115480214

* NEW PART

X ON DEMAND



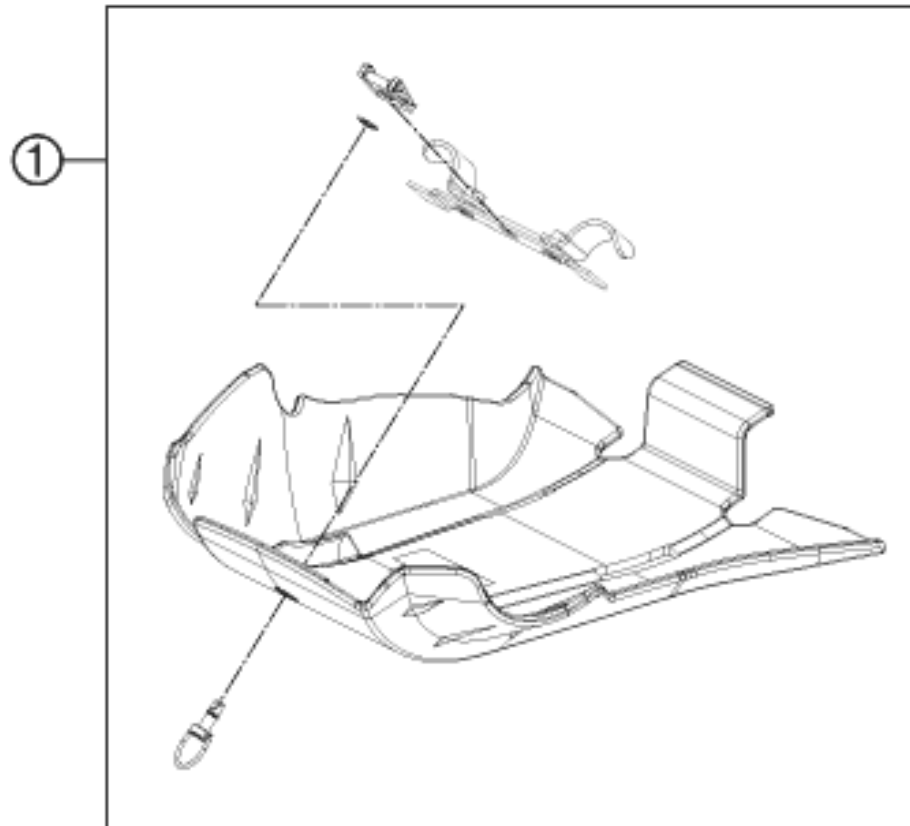
| POS | PARTNUMBER | PARTNAME | PIECE |
|-----|---------------|--------------------------------|-------|
| 1* | 5480340120004 | FRAME 250/300 "CC08" | 1 |
| 2 | 77303002000 | SUB FRAME SX "Q7" 07 | 1 |
| 3 | 78003002010 | SUB FRAME APPLICATION LEFT 08 | 1 |
| 4 | 78003002020 | SUB FRAME APPLICATION RIGHT 08 | 1 |
| 5 | 54803413000 | REINFORCING B. 250 SX 07 | 2 |
| 6 | 78003035000 | STEERING HEAD LOCK 08 | 1 |
| 7 | 50307012000 | ADH. FOIL TRANSP. 80X80 MM 04 | 2 |
| 8 | 59001037000 | SPECIAL SCREW M8X26 WS=10 | 2 |
| 9 | 0934080003 | HEXAGON NUT DIN0934-M 8 | 2 |
| 12 | 54603013000 | ENGINE BRAC.SCR. M10X105 WS=13 | 2 |
| 14 | 0019080206S | FLAT HEAD SCREW M. ISA45 M8X20 | 4 |
| 15 | 56530079000 | HH COLLAR SCREW M 8X44 WS13 | 3 |
| 16 | 54803092050 | BLIND PLUG-IN NUT M5 WN 22A 03 | 2 |
| 17 | 44011076305 | CABLE TIE 300/4,8MM BLACK | 3 |
| 18 | 0738050250 | COU.SUNK SCR. AH ISO7380 M5X25 | 2 |
| 19 | 54803092060 | BUSH F. FRAME PROTECTION 03 | 2 |
| 20 | 54403135000 | PLASTIC CAP SFL10 | 2 |
| 25 | 54310086200 | SELF LOCKING NUT M8 10.9 | 3 |
| 26 | 54310086100 | SELF LOCKING NUT M10 CU WS=14 | 2 |
| 27 | 0025080306 | HH COLLAR SCREW M8X30 TX40 | 2 |
| 28 | 0025060306 | HH COLLAR SCREW M6X30 TX30 | 1 |
| 36 | 78003040050 | FOOTREST L/S 08 | 1 |
| 40 | 78003041050 | FOOTREST R/S 08 | 1 |
| 41 | 54803044000 | BOLT FOR FOOT PED 03 | 2 |
| 42 | 54603041000 | FOOTREST SPRING L/S & R/S | 2 |
| 43 | 0125100003 | WASHER DIN0125-A10,5 | 2 |
| 44 | 0094032253 | PIN DIN0094-3,2X25 STEEL | 2 |
| 45 | 78003040033 | FOOTREST L/S + R/S CPL. 09 | 1 |
| 46 | 50303089000 | ANGLE PIECE '97 | 1 |
| 47 | 55007016001 | PVC-HOSE 7X10 PER METER | 0 |
| 50 | 54803096000 | SPROCKET COVER 250 SX 07 | 1 |
| 59 | 77303053000 | CHAIN SLIDING PIECE BELOW 07 | 1 |
| 62 | 77303139000 | BLIND RIVET NUT EM6-60LF/HX | 4 |
| 63 | 77303094100 | PLASTIC FRAME PROTECTION SET | 1 |
| 64 | 77303053010 | CHAIN SLIDING KIT BELOW CPL07 | 1 |
| 99 | 54803096010 | SPROCKET COVER KIT | 1 |

105480310

C115480313

* NEW PART X ON DEMAND

| POS | PARTNUMBER | PARTNAME | PIECE |
|-----|-------------|--------------------|-------|
| 1* | 55103190000 | SKID PLATE PLASTIC | 1 |

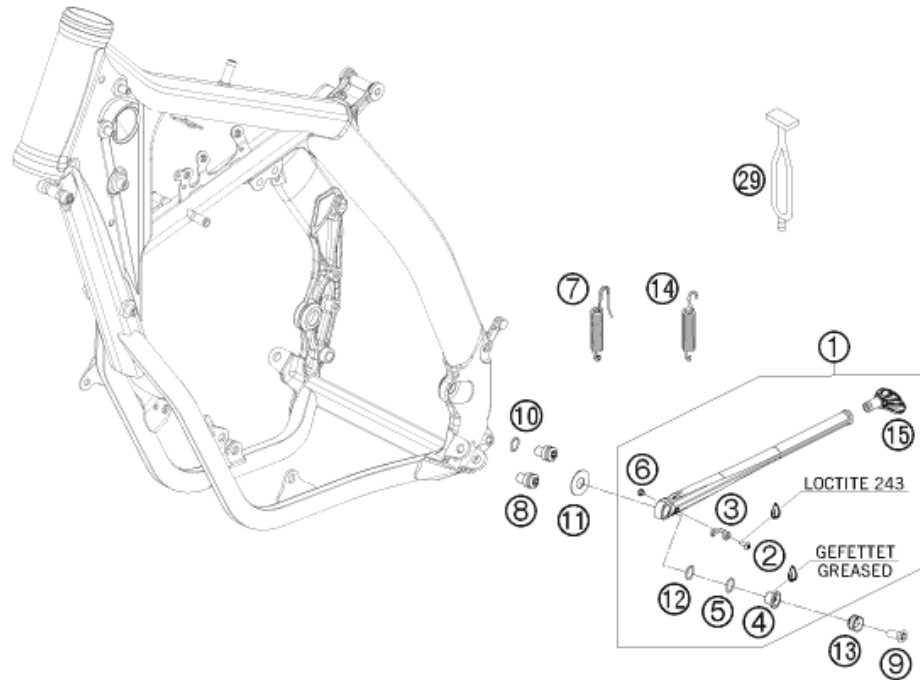


118120330

C115480330

* NEW PART

X ON DEMAND



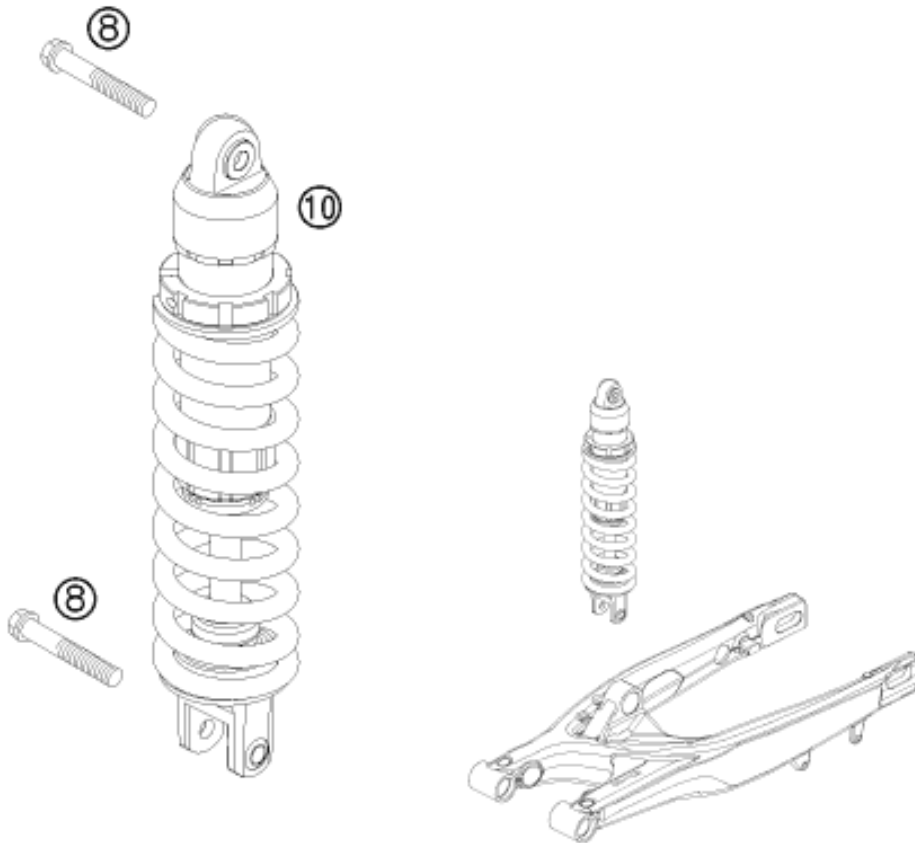
| POS | PARTNUMBER | PARTNAME | PIECE |
|-----|-------------|--------------------------------|-------|
| 1 | 78003023044 | SIDE STAND CPL. 08 | 1 |
| 2 | 58605083014 | SCREW M5X14 TORX 25 07 | 1 |
| 3 | 78003023090 | SPRING BRACKET F. SIDE ST. 08 | 1 |
| 4 | 78003023080 | SIDE STAND BUSHING EXC USA 08 | 1 |
| 5 | 0770180020 | O-RING 18,00X2,00 NBR 70 | 1 |
| 6 | 78003023070 | SPACER BUSH. SPRING BRACKET | 1 |
| 7 | 81203024000 | SIDE STAND SPRING EYE MOVEABLE | 1 |
| 8 | 78003023182 | SIDE STAND STOP SCREW M10X12 | 2 |
| 9 | 0019080266S | COUNTER-SUNK SCREW ISA45 M8X26 | 1 |
| 9 | 0019080206S | FLAT HEAD SCREW M. ISA45 M8X20 | 1 |
| 10 | 0770120020 | O-RING 12,00X2,00 NBR 70 | 1 |
| 11 | 78003023083 | WASHER F. SIDE STAND 12,2X29,5 | 1 |
| 12 | 0770125015 | O-RING 12,5X1,5 NBR | 1 |
| 13 | 78003023081 | SIDE STAND BUSHING EXC-EU 08 | 1 |
| 14 | 78003024100 | SIDE STAND SPRING 08 | 1 |
| 15 | 78003023055 | % STAND BASE | 1 |
| 29 | 50303018000 | RUBBER L=145MM | 1 |

085230360

C105230360

* NEW PART

X ON DEMAND



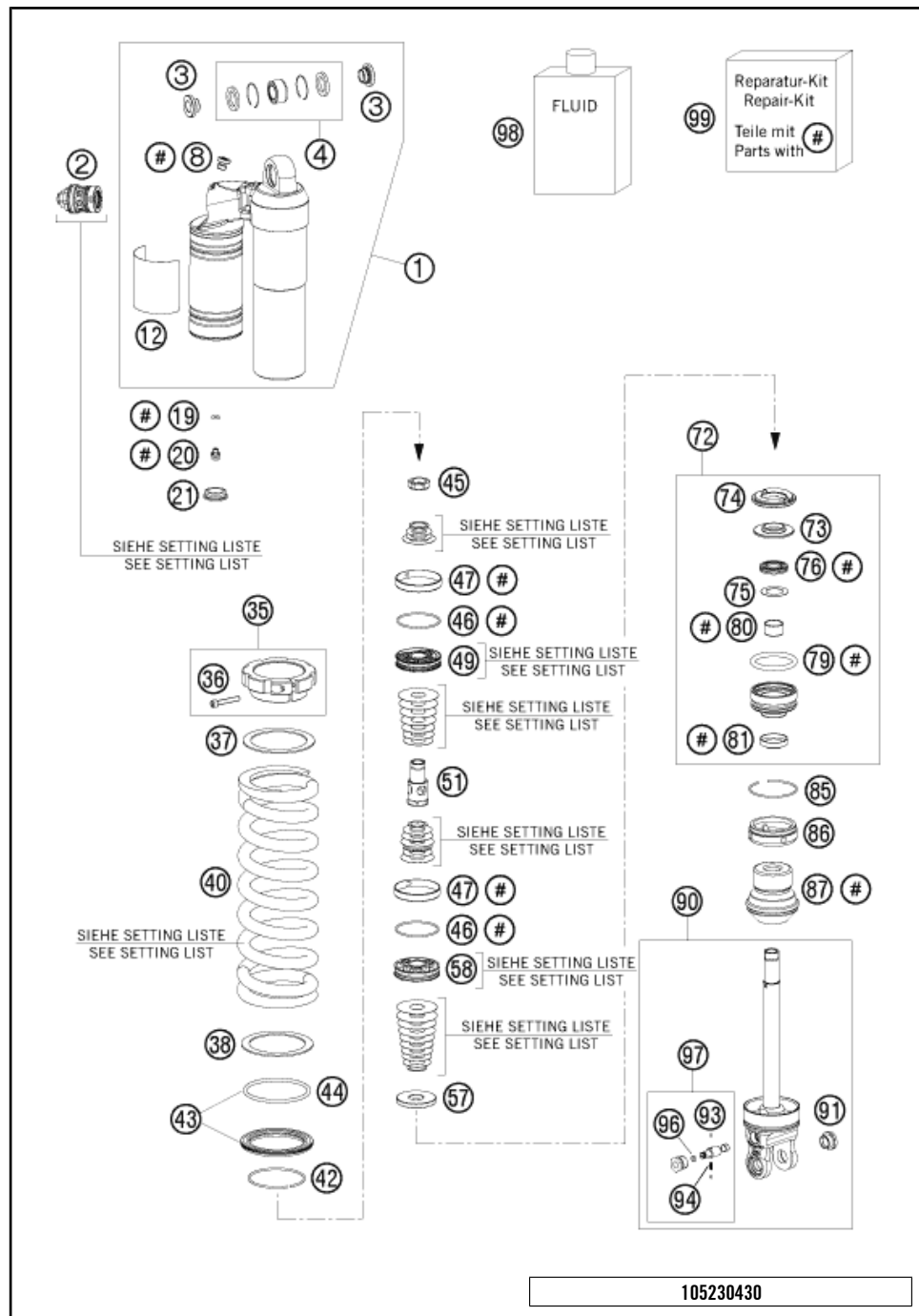
| POS | PARTNUMBER | PARTNAME | PIECE |
|-----|-------------|--------------------------------|-------|
| 8 | 0025120506S | HH COLLAR SCREW M12X50 TX45 | 2 |
| 10 | 12187J0401 | MONOSH. PDS B07MA250/300EXC 10 | 1 |

085030410

C105480414

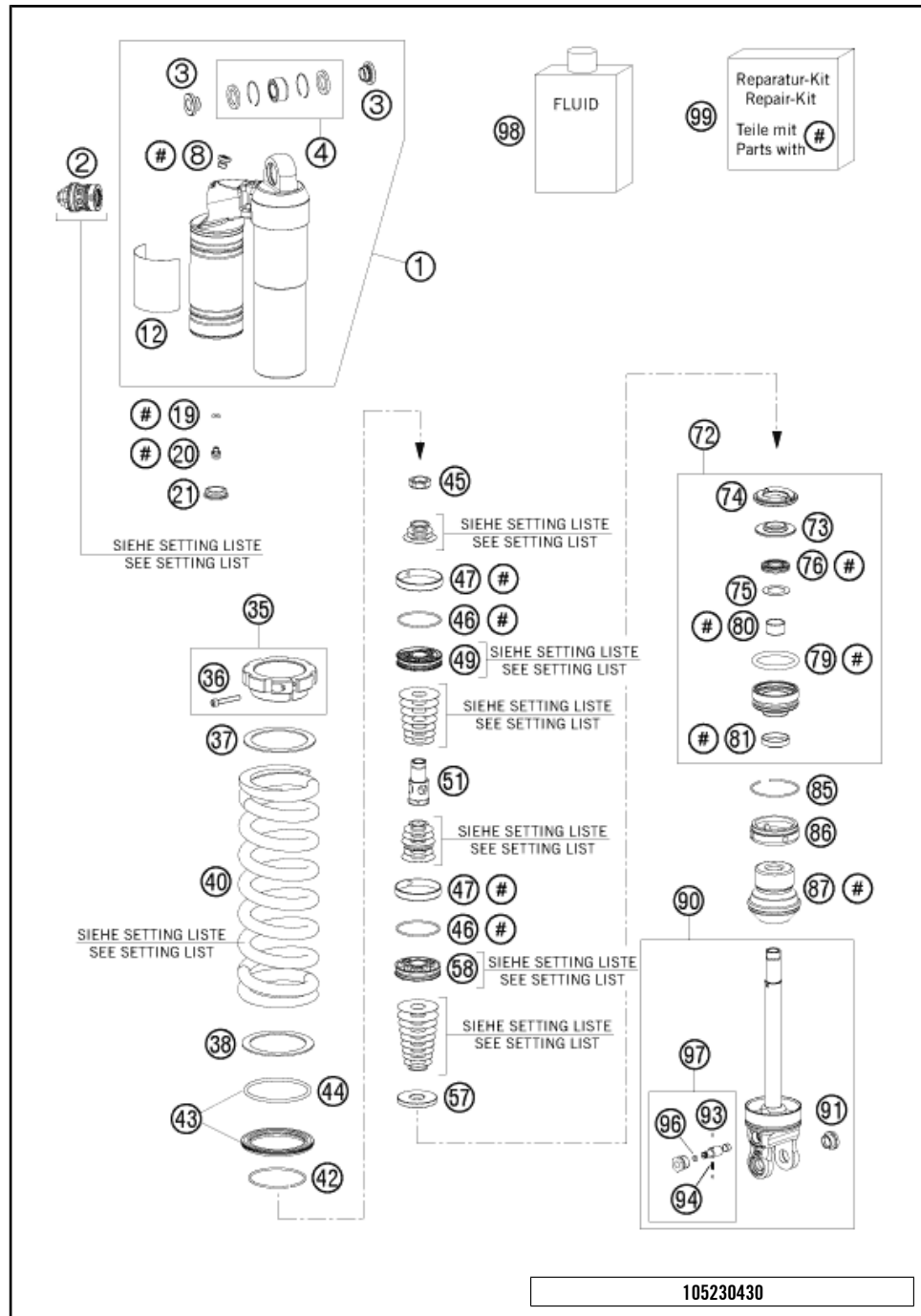
* NEW PART

X ON DEMAND



| POS | PARTNUMBER | PARTNAME | PIECE |
|-----|-------------|--------------------------------|-------|
| 1 | 50180733SA | TOP PART CPL. M57,5X1 H30,5 10 | 1 |
| 2 | 50180213S10 | DCC-COMPR.DAMP.CONTROL CPL. 07 | 1 |
| 3 | 46180007 | ADAPTOR BUSH KGW 12X24 | 2 |
| 4 | R12012 | REP. KIT BEAR./SEAL UP. 07 | 1 |
| 8 | 50180095 | BLEED PLUG R 1/8 | 1 |
| 12 | 52000085 | WP CAUTION (PDS KTM) | 1 |
| 19 | 46810893 | O-RING NBR 5,28X1,78 | 1 |
| 20 | 36120151 | SCREW PLUG M5X6 | 1 |
| 21 | 46811208 | RUBBER CAP "DO NOT OPEN" | 1 |
| 35 | 50180520S | SPRING RETAINER M57,5X1 +SCREW | 1 |
| 36 | 50180327 | AH SCREW M5X30 DIN912 | 1 |
| 37 | 50180818 | INTERM.RING SCREW SPRING RET. | 1 |
| 38 | 50180114 | SPACER RING FOR SPRING | 1 |
| 40 | 91210053S | SPRING 250 63N/MM ORANGE | x |
| 40 | 91210055S | SPRING 250 60N/MM ORANGE | x |
| 40 | 91210054S | SPRING 250 66N/MM ORANGE | x |
| 40 | 91210068S | SPRING 250 69N/MM ORANGE | x |
| 40 | 91210069S | SPRING 250 72N/MM ORANGE | x |
| 40 | 91210070S | SPRING 250 76N/MM | x |
| 42 | 50180273 | CIRCLIP 58,2X2 | 1 |
| 43 | 50180463S | SPRING RET. D=80 W. O-RING 05 | 1 |
| 44 | 50180352 | O-RING VITON 66,27X3,53 | 1 |
| 45 | 50180627 | PISTON ROD NUT M20X1 | 1 |
| 46 | 50180099 | O-RING VITON 44,17X1,78 | 2 |
| 47 | 50180135 | PISTON RING 50-8 | 2 |
| 49 | 50180675 | PISTON D=20 | 1 |
| 51 | 50180764 | TAP D20 M20X1 L45,3 09 | 1 |
| 57 | 50180970 | REBOUND DISC D43 | 1 |
| 58 | 50180197 | PISTON 6+6X7/4,5 | 1 |
| 72 | 50180603S | ADAPTOR CPL. D=50 H=28 08 | 1 |
| 73 | 50180113 | STEEL DISC 18X,5X43,7X6 | 1 |
| 74 | 50180107 | REBOUND RUBBER | 1 |
| 75 | 50180604 | SHIM D29,75 X D19 X T0,4 08 | 1 |
| 76 | 50180605S | SEAL D18X30X5 08 | 1 |
| 79 | 50180103 | O-RING 41X5 | 1 |
| 80 | 46180119 | DU-BUSH 18X20X12 | 1 |
| 81 | 50180606 | DUST SEAL 1828 08 | 1 |
| 85 | 50180126 | CIRCLIP 53X1,75 | 1 |

* NEW PART X ON DEMAND

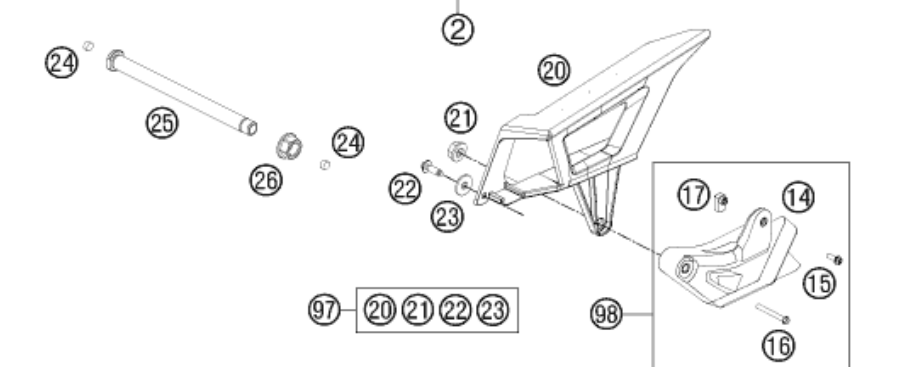
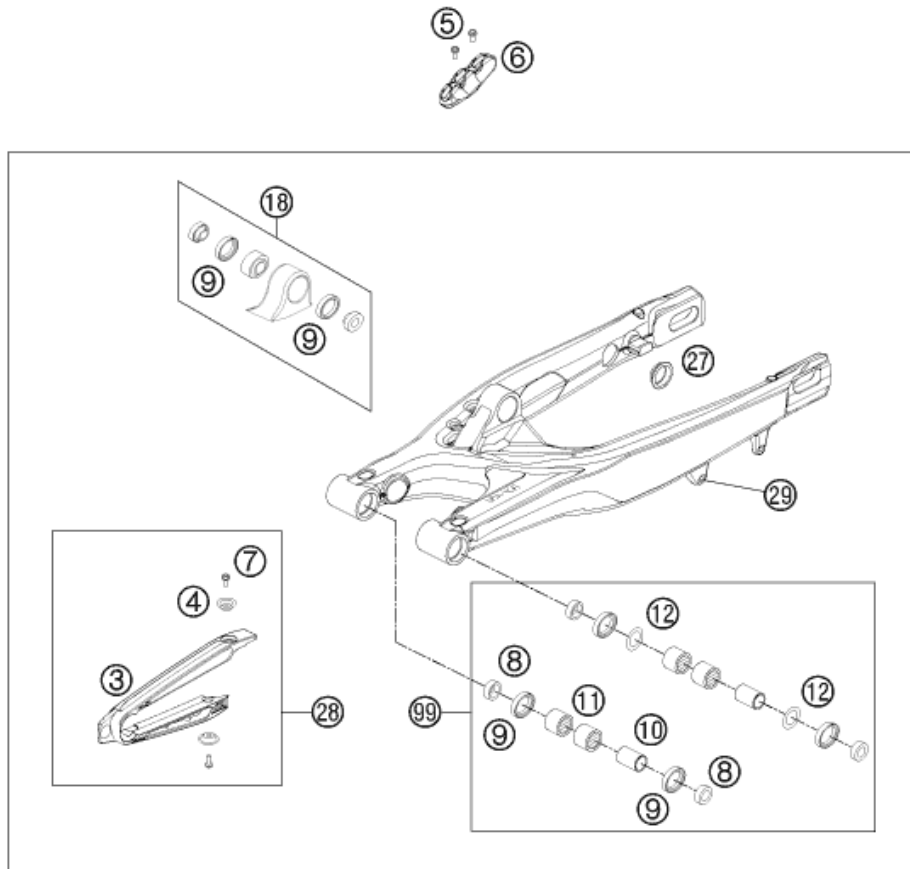


| POS | PARTNUMBER | PARTNAME | PIECE |
|-----|-------------|--------------------------------|-------|
| 86 | 50180626 | RESERVOIR CAP D=50 H=10 09 | 1 |
| 87 | 50180600 | BUMP RUBBER D58 D17 H59 2008 | 1 |
| 90 | 50180512SA2 | SHOCK ABS. LOWER PART CPL. 10 | 1 |
| 91 | 50180105 | THREADED BUSH M12 PDS | 1 |
| 93 | 40540603 | STEEL BALL D=3MM | 2 |
| 94 | 48600028 | SPRING D=2,9 L=7,9 | 1 |
| 96 | 50180222 | O-RING NBR 4X1,5 | 1 |
| 97 | 50180434S | ADJUSTING SCREW REBOUND TRAVEL | 1 |
| 98 | 50180751S1 | SHOCK ABSORBER FLUID 5 LT | 1 |
| 99 | R12015 | REPAIR KIT 5018 PDS 08 | 1 |

105230430

C105480430

* NEW PART X ON DEMAND



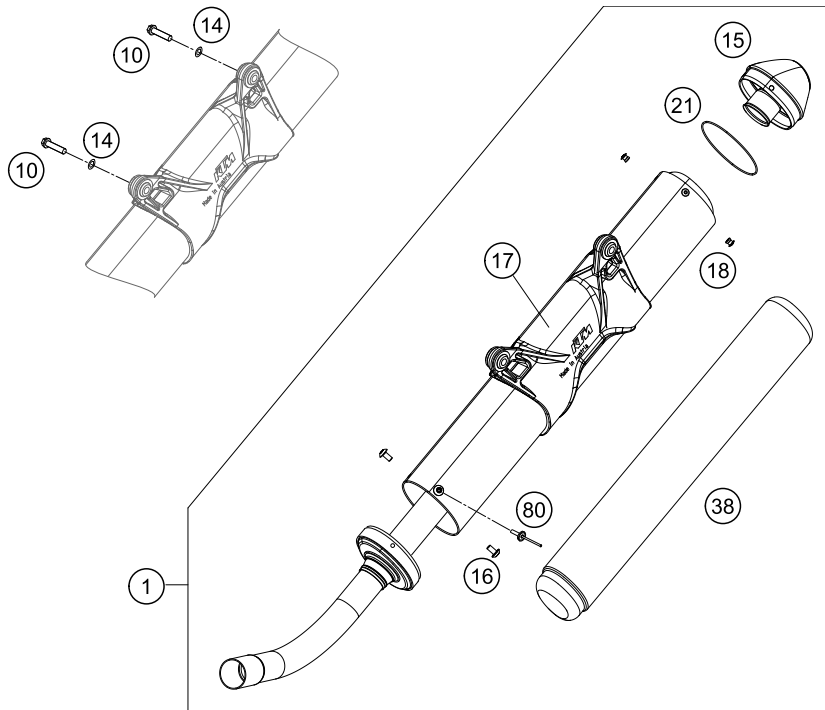
| POS | PARTNUMBER | PARTNAME | PIECE |
|-----|-------------|--------------------------------|-------|
| 2* | 77304030344 | SWING ARM CPL. 2011 | 1 |
| 3 | 77304066000 | CHAIN SLIDING PROTECTION | 1 |
| 4 | 77304066050 | BUSHING F. CHAIN SLIDING PR.07 | 2 |
| 5 | 0009050106 | EJOT SPIRAL SCREW SF M5X10-K | 2 |
| 6 | 77313047000 | BRAKE HOSE GUIDE LOWER 07 | 1 |
| 7 | 59009062013 | SPECIAL SCREW M6X13 WS=8 10.9 | 2 |
| 8 | 54804034000 | BUCKET F. SHAFT SEAL RING 03 | 4 |
| 9 | 0760253270 | SHAFT SEAL RING 25X32X7 | 6 |
| 10 | 54804032000 | BUSHING SLEEVE F. SWING ARM 03 | 2 |
| 11 | 58033097000 | NEEDLE BEARING HK 2216 | 4 |
| 12 | 54603036000 | STOP DISK 22,2X31,7X1 | 2 |
| 14 | 78004070100 | CHAIN GUIDE CPL. | 1 |
| 15 | 59009062019 | SPECIAL SCREW M6X19 WS=8 10.9 | 1 |
| 16 | 0025060506 | HH COLLAR SCREW M6X50 TX30 | 1 |
| 17 | 77304070030 | INSERTION NUT F. CHAIN GUIDE | 1 |
| 18* | 50304090144 | PIVOT BEARING+BUSH. PDS '11 | 1 |
| 20 | 78004060000 | CHAIN GUARD 08 | 1 |
| 21 | 56509064100 | SELF LOCKING NUT M6 10.9 | 1 |
| 22 | 0021060003 | WASHER DIN9021-A 6,4 | 1 |
| 23 | 0017060203 | EJOT PT SCREW K6X20 WS=6 | 1 |
| 24 | 55009086000 | PLUG SFL13 | 2 |
| 25 | 77304037000 | SWINGARM BOLT M16X1,5 07 | 1 |
| 26 | 54804038000 | SELF LOCK.NUT M16X1,5 WS=19 03 | 1 |
| 27 | 58404041100 | CLOSING COVER ROUND 03 | 4 |
| 28 | 77304066010 | CHAIN GUARD CPL. 07-11 | x |
| 29 | 54603055051 | PRESS IN NUT M6 STEEL ZINC | 1 |
| 97 | 78004060010 | CHAIN PROTECTION KIT EXC 08-11 | x |
| 98 | 77304070310 | CHAIN GUIDE KIT REAR 08-12 | x |
| 99 | 54804230210 | SWINGARM REPAIR KIT 05-12 | x |

115030490

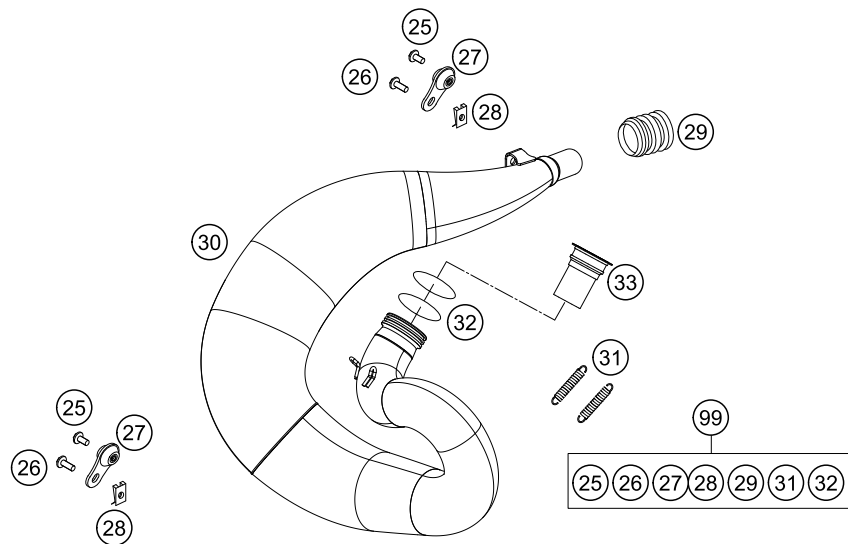
C115030490

* NEW PART

X ON DEMAND



| POS | PARTNUMBER | PARTNAME | PIECE |
|-----|-------------|--------------------------------|-------|
| 1* | 54805083200 | MAIN SILENCER 250-300 EXC | 1 |
| 10 | 0025060306 | HH COLLAR SCREW M6X30 TX30 | 2 |
| 14 | 0137060003 | SPRING WASHER DIN0137-B 6 | 2 |
| 15* | 54805083260 | ENDCAP CPL. | 1 |
| 16* | 58605083010 | SCREW TORX M5X10 05 | 4 |
| 17* | 54805183085 | SILENCER HOUS. CPL. W. HANGING | 1 |
| 18* | 0011480800 | DUMMY RIVET 4,8X 8 NIRO | 4 |
| 21* | 0770740015 | O-RING 74,00X1,50 FKM 75SH | 1 |
| 25 | 0024060106 | HH COLLAR SCREW M6X10 TX30 | 2 |
| 26 | 0024060156 | HH COLLAR SCREW M6X15 TX30 | 2 |
| 27 | 50305012000 | SWINGELEMENT FOR EXHAUST PIPE | 2 |
| 28 | 54603048100 | RANGE CHANGE METAL NUT M6 | 2 |
| 29* | 50205057000 | SILICON SLEEVE D=29/31MM | 1 |
| 30* | 54805009300 | EXHAUST MANIFOLD | 1 |
| 30* | 54805107000 | EXHAUST MANIFOLD | x |
| 31 | 50305016000 | TEN.SPRING L=62MM EY.MOVEABLE | 2 |
| 32 | 0770440030 | O-RING 44,00X3,00 VITON | 2 |
| 33 | 54805009180 | CATALYST + BRACKET FRONT 08 | 1 |
| 38* | 54805078315 | % ROCKWOOL 315G | 1 |
| 80 | 0011401200 | DUMMY RIVET 4,0X12 ALU | x |
| 99 | 00050000811 | EXHAUST HARDWARE KIT 11-13 | x |

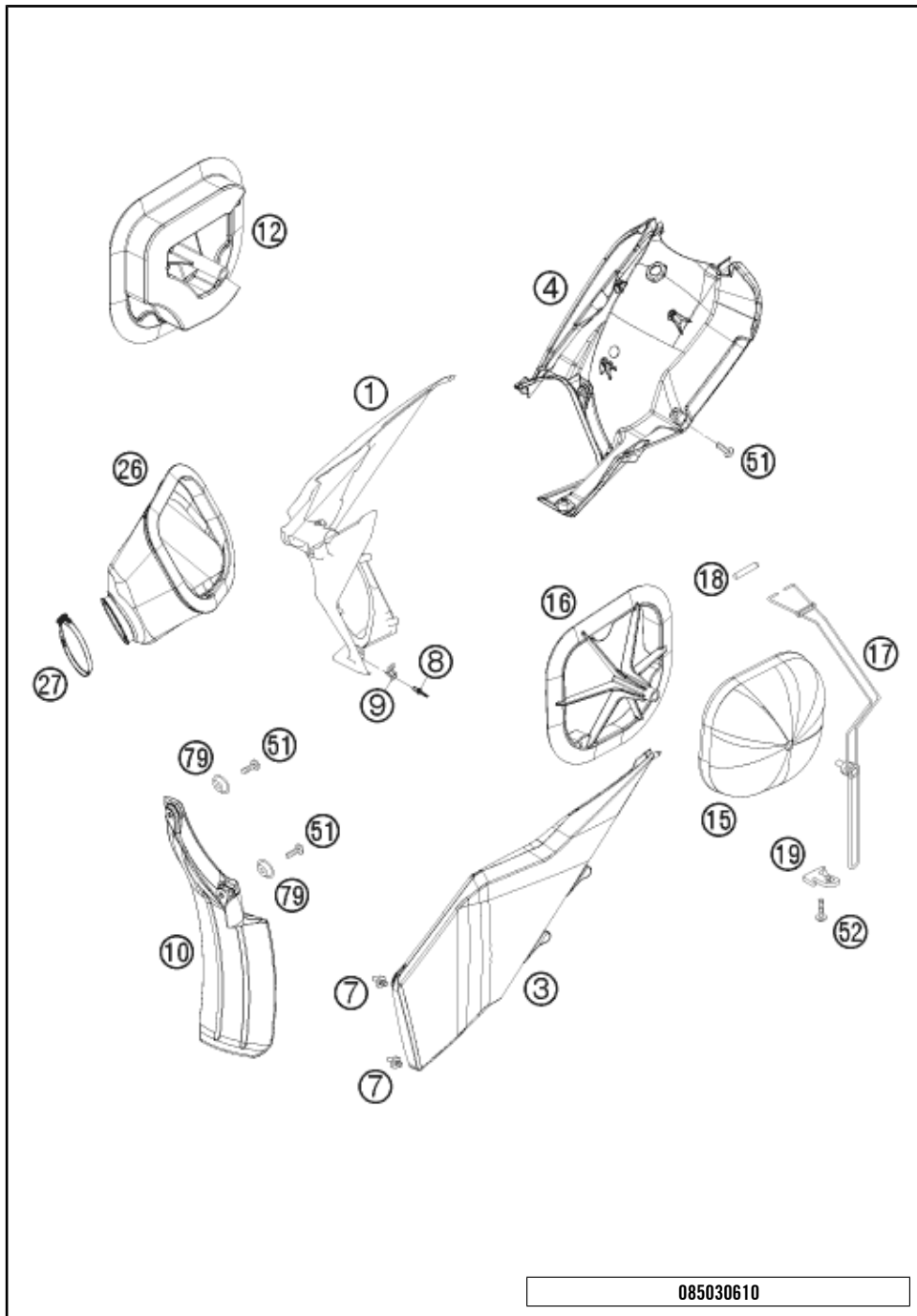


115480511

C115480511

* NEW PART

X ON DEMAND

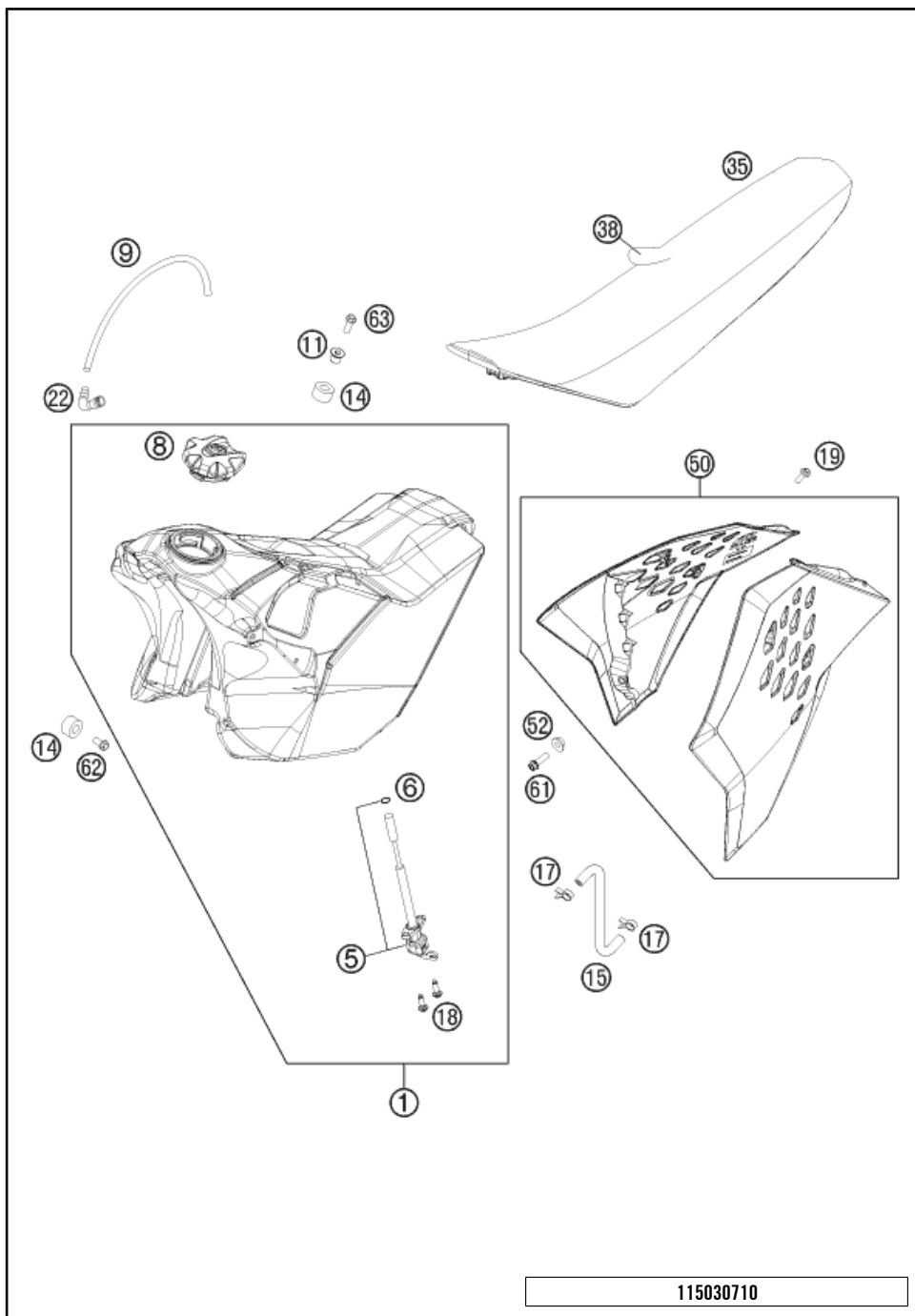


| POS | PARTNUMBER | PARTNAME | PIECE |
|-----|---------------|--------------------------------|-------|
| 1 | 7730600111030 | AIR BOX PART BLACK | 1 |
| 3 | 7730600300030 | AIR BOX COVER SX BLACK 07 | 1 |
| 4 | 77306001020 | REAR PART FILTER BOX 07 | 1 |
| 7 | 54806008051 | QUICK RELEASE-NIPPLE 03 | 2 |
| 8 | 54806108052 | BLIND RIVET 3,3X9,7 GROOVED 04 | 4 |
| 9 | 54806008050 | QUICK RELEASE-SPRING HANGER | 2 |
| 10 | 77306010000 | FENDER FOR FILTER BOX | 1 |
| 12 | 78006012000 | THROTTLE CAP CPL. EXC 08 | 1 |
| 15 | 78006015000 | AIR FILTER | 1 |
| 16 | 54806416000 | FILTER CARRIER 2S SX 07 | 1 |
| 17 | 77306017000 | FILTER SUPPORT CPL. 07 | 1 |
| 18 | 77306018000 | FILTER SUPPORT BUSH 07 | 1 |
| 19 | 77306019000 | FASTEN. DEVICE FILTER S. SX 07 | 1 |
| 26 | 54806426000 | CABURETOR CONNECTING 2S 07 | 1 |
| 27 | 51006027000 | HOSE CLAMP 50-70MM | 1 |
| 51 | 0017060204 | EJOT PT SCREW K6X20 ALU WS=6 | x |
| 52 | 0017060203 | EJOT PT SCREW K6X20 WS=6 | 1 |
| 79 | 77304066050 | BUSHING F. CHAIN SLIDING PR.07 | 2 |

085030610

C105480610

* NEW PART X ON DEMAND

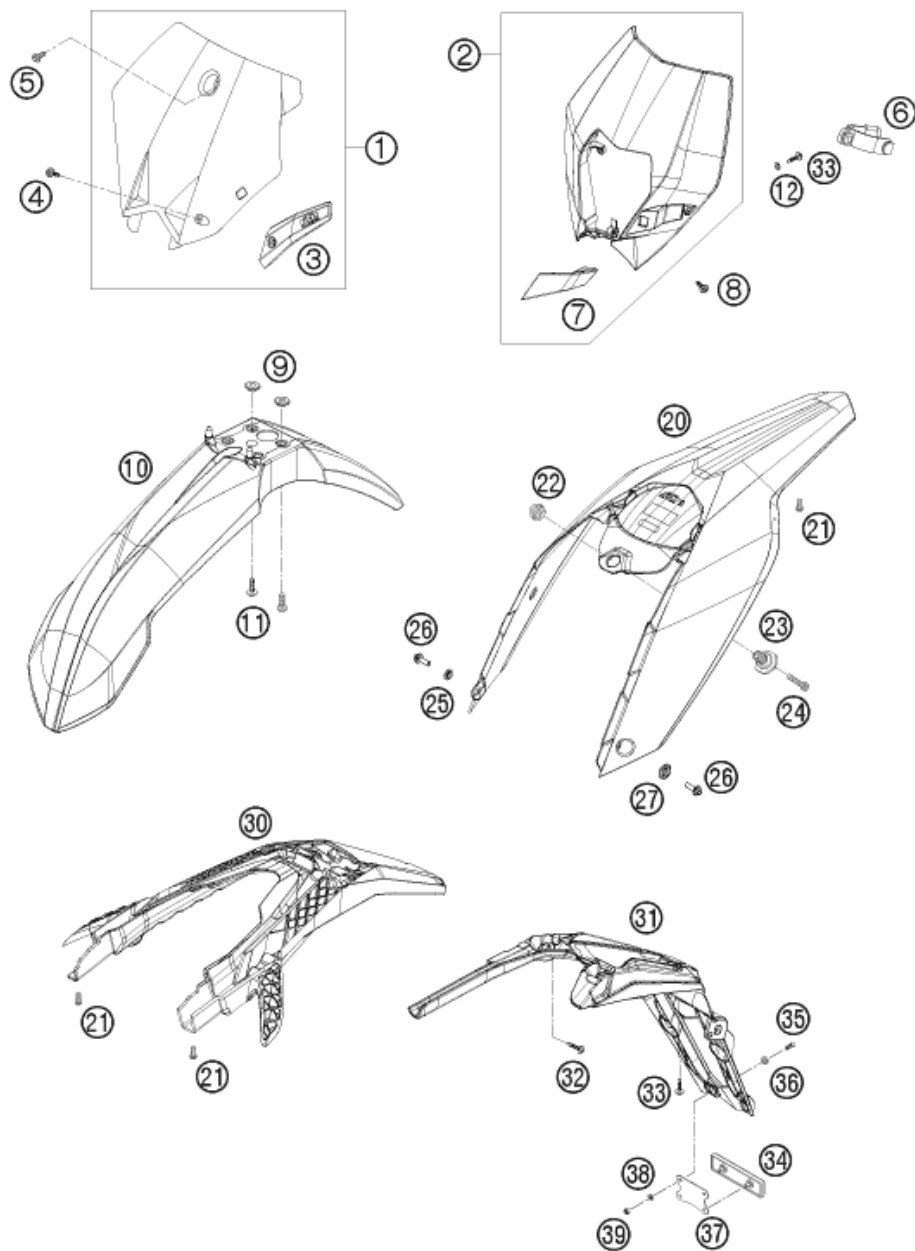


| POS | PARTNUMBER | PARTNAME | PIECE |
|-----|----------------|--------------------------------|-------|
| 1 | 7700721306699 | FUEL TANK CPL. 9,5 L EXC SD 09 | 1 |
| 5 | 78007004000 | GAS COCK ON/OFF/RES 08 | 1 |
| 6 | 0770110021 | O-RING 11X2 VITON | 1 |
| 8 | 78007008044X4 | TANK PLUG ORANGE/BLACK | 1 |
| 9* | 78007000270 | PVC-HOSE 5,6X10X270MM | 1 |
| 11 | 77307026000 | TANK BUSHING 07 | 1 |
| 14 | 50307014000 | TANK ROLLER 12X26X12 '98 | 3 |
| 15 | 54807016100 | FUEL HOSE 2ST EXC 08 | 1 |
| 17 | 58031005000 | CLAMP YDNAC 10128 12MM | 2 |
| 18 | 0017060203 | EJOT PT SCREW K60X20 WS=6 | 2 |
| 19 | 0017060204 | EJOT PT SCREW K60X20 ALU WS=6 | 8 |
| 22 | 51030022000 | ANGLE PIECE 90 DEGREE M10X1 | 1 |
| 35 | 78007040000 | SEAT SIX-DAYS 08 | 1 |
| 38 | 78007040050 | SEAT COVER SIX-DAYS 08 | 1 |
| 50* | 7730805410004F | SPOILER KIT ORANGE SIX-DAY '11 | 1 |
| 52 | 50308052000 | BUSH FOR SPOILER 6X11X16X5 MM | 2 |
| 61 | 0025060206 | HH COLLAR SCREW M6X20 TX30 | 4 |
| 62 | 0025060126 | HH COLLAR SCREW M6X12 TX30 | 2 |
| 63 | 0024060273 | COLLAR SCREW M6X27 TX | 1 |

115030710

C115030711

* NEW PART X ON DEMAND



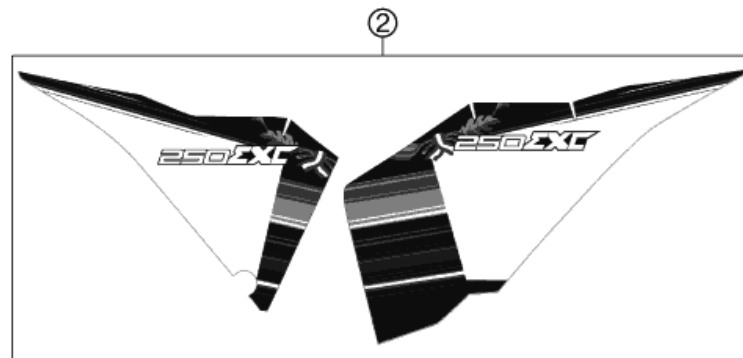
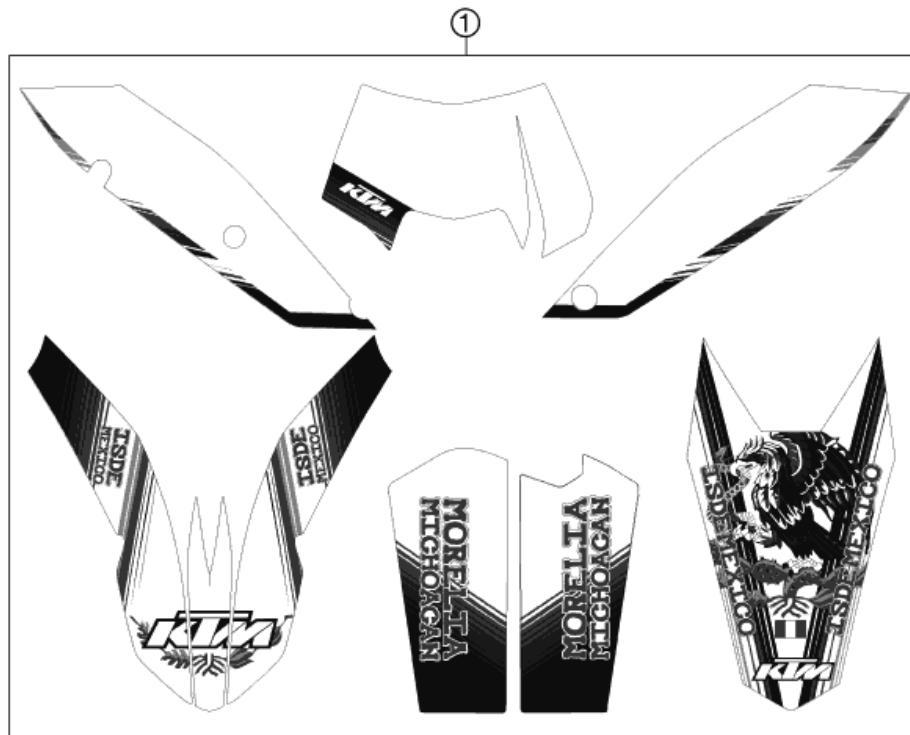
095030810

| POS | PARTNUMBER | PARTNAME | PIECE |
|-----|---------------|--------------------------------|-------|
| 1 | 7730800704404 | START NUMBER PLATE ORANGE 07 | 1 |
| 2 | 7800800100004 | HEAD LIGHT MASK ORANGE 08 | 1 |
| 3 | 7730802200004 | BRAKE HOSE GUIDE ORANGE 07 | 1 |
| 4 | 0017060204 | EJOT PT SCREW K60X20 ALU WS=6 | 1 |
| 5 | 0024060106 | HH COLLAR SCREW M6X10 TX30 | 1 |
| 6 | 50211086000 | MASK RUBBER UFO WP '95 | 2 |
| 7 | 7800802200004 | BRAKE HOSE GUIDE ORANGE 08 | 1 |
| 8 | 0081050181 | SCREW FOR PLASTIC K50X18 T20 | 3 |
| 9 | 54808020000 | SPACER BUSHING 03 | 4 |
| 10 | 7730801000004 | FRONT FENDER 07 | 1 |
| 11 | 0024060206 | HH COLLAR SCREW M6X20 TX30 | 4 |
| 12 | 0125060003 | WASHER DIN0125-A 6,4 | 1 |
| 20* | 7800801300028 | REAR PART EXC WHITE 11 | 1 |
| 21 | 0025050206 | HH COLLAR SCREW M5X20 TX30 | 2 |
| 22 | 50314057050 | COLLAR NUT M12X1/WS17 H=5MM | 1 |
| 23 | 54807048000 | BUSHING FOR SEAT FASTENING 03 | 1 |
| 24 | 0025060256 | HH COLLAR SCREW M6X25 TX30 | 1 |
| 25 | 50308052000 | BUSH FOR SPOILER 6X11X16X5 MM | 1 |
| 26 | 0025060206 | HH COLLAR SCREW M6X20 TX30 | 2 |
| 27 | 77306001030 | COLLAR BUSHING 4,5/12,6/23 | 1 |
| 30 | 78008016000 | NUMBER PL. CARRIER TOP PART 08 | 1 |
| 31 | 78008016050 | NUMBER PL. CARRIER LOW PART 08 | 1 |
| 32 | 0017060303 | SPECIAL SCREW T60 6X30 WS=6 | 2 |
| 33 | 0017060203 | EJOT PT SCREW K60X20 WS=6 | 3 |
| 34 | 58412080000 | REFLECTOR RED LC4 '98 | 1 |
| 35 | 0966050203 | OVAL HEAD SCREW DIN0966-M 5X20 | 2 |
| 36 | 40006006000 | WASHER 6MM | 2 |
| 37 | 58412080050 | BRACKET FOR REFLECTOR | 1 |
| 38 | 0125050003 | WASHER DIN0125-A 5,3 | 2 |
| 39 | 0985050003 | SELF LOCKING NUT DIN0985-M 5 | 2 |

C115030810

* NEW PART

X ON DEMAND



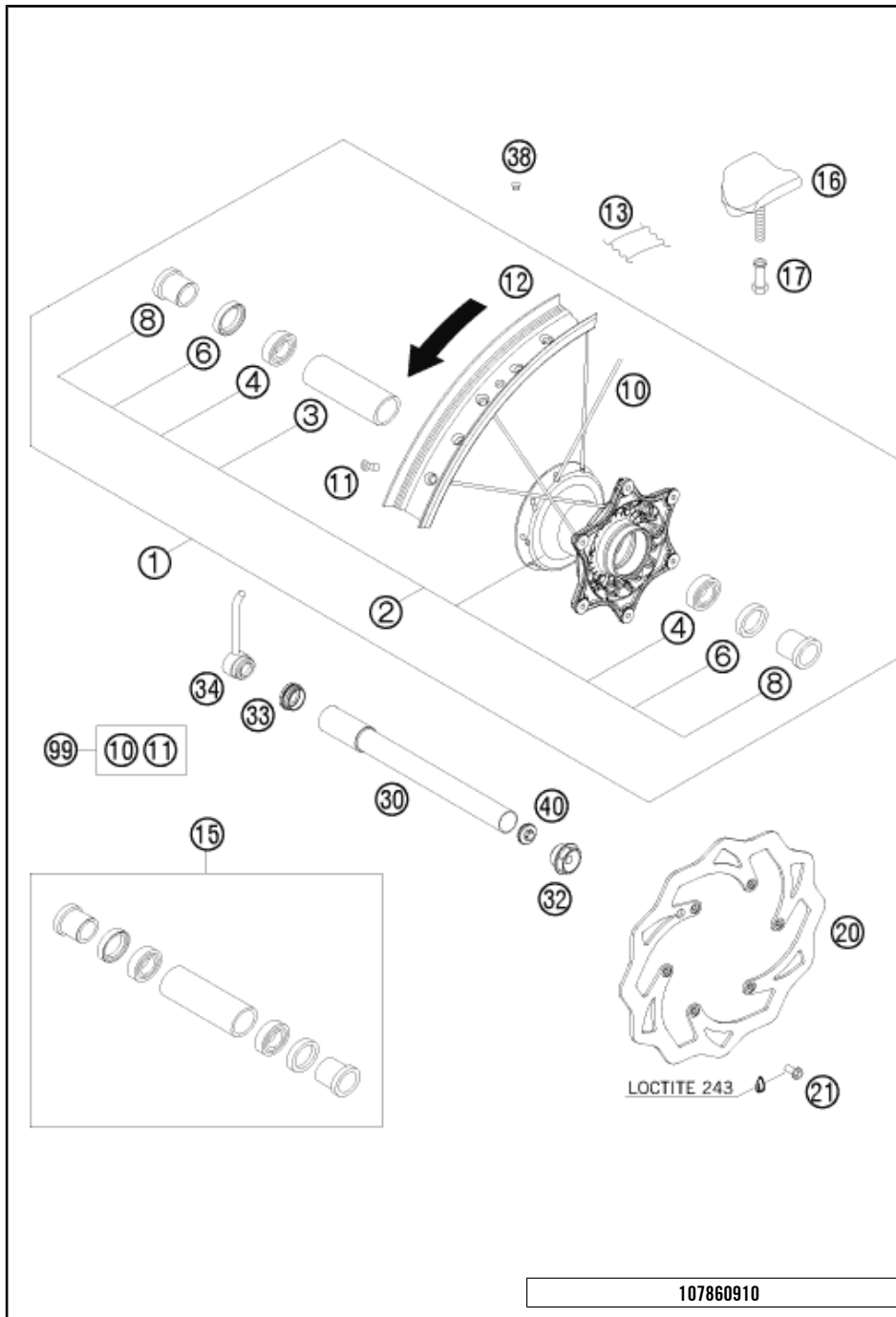
| POS | PARTNUMBER | PARTNAME | PIECE |
|-----|-------------|--------------------------------|-------|
| 1* | 52308399400 | DECAL SET EXC/XC-W SIXDAY 2011 | 1 |
| 2* | 78008291700 | DISPLACEM. STI. 250 EXC SD 11 | 1 |

115480836

C115480836

* NEW PART

X ON DEMAND

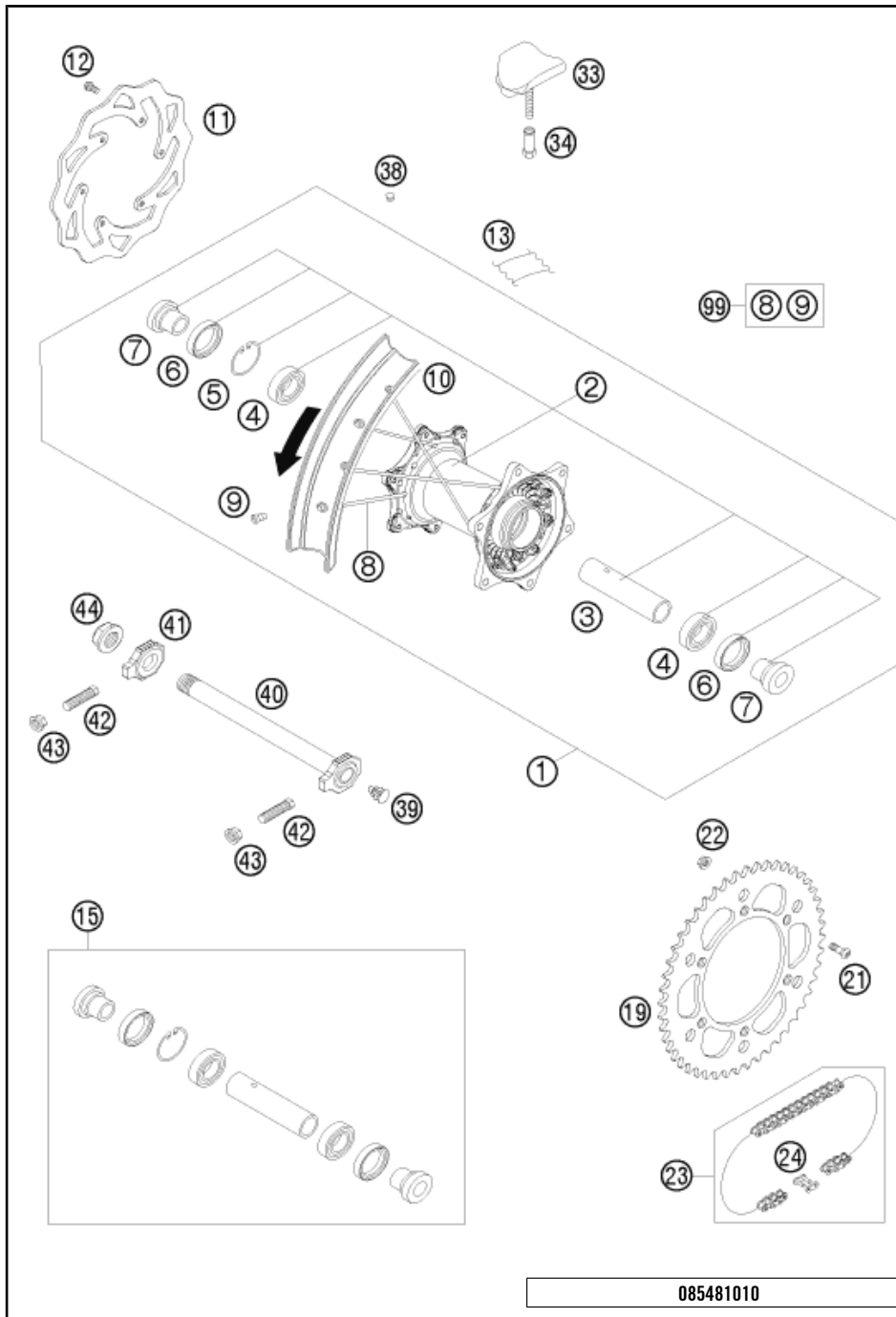


| POS | PARTNUMBER | PARTNAME | PIECE |
|-----|---------------|--------------------------------|-------|
| 1 | 7800900124430 | FRONT WHEEL CPL.1,6X21"EXC.10 | 1 |
| 2 | 78009010144 | FRONT WHEEL HUB CPL. | 1 |
| 3 | 54809011000 | BEA.SPACERTUBE 35X2 L=79,4 03 | 1 |
| 4 | 0625069068 | GR.BALL BEAR.6906 DDU2CG23S6NM | 2 |
| 6 | 0760354771 | SHAFT SEAL RING 35X47X7 TC | 2 |
| 8 | 78009012000 | SPACER BUSHING F. FR. WHEEL 08 | 2 |
| 10 | 78009174226 | SPOKE M4,5x226-21" 08 | 36 |
| 11 | 50309072100 | SPOKE NIPPLE M4,5X0,75 8X21 | 36 |
| 12 | 7800907000030 | RIM FRONT 1,6X21" EXCEL AL7 | 1 |
| 13 | 50309073000 | RIM BAND 21" | 1 |
| 15 | 78009015000 | FRONT WHEEL REP. KIT | x |
| 16 | 51009100100 | RIM LOCK VM1 (1,60") | 1 |
| 17 | 50310090050 | NUT FOR WHEEL HOLDER '96 | 1 |
| 20 | 77309060000 | BRAKE DISC FRONT 260 | 1 |
| 21 | 59009062013 | SPECIAL SCREW M6X13 WS=8 10.9 | 6 |
| 30 | 77309081000 | WHEEL SPIN.FR. D=26 M24x1,5 07 | 1 |
| 32 | 54809082000 | SPINDLE SCREW M24X1,5 WS=27 03 | 1 |
| 33 | 54809081050 | PLUG BUSHING WS=27 03 | 1 |
| 34 | 54809081060 | FRONT AXLE PULL 26MM 04 | 1 |
| 38 | 55003135000 | PLUG FOR RIM | x |
| 40 | 54809081070 | AUXILIARY SCREW FRONT 06 | 1 |
| 99 | 00050000905 | SPOKE KIT FRONT "21" | x |

107860910

C115030910

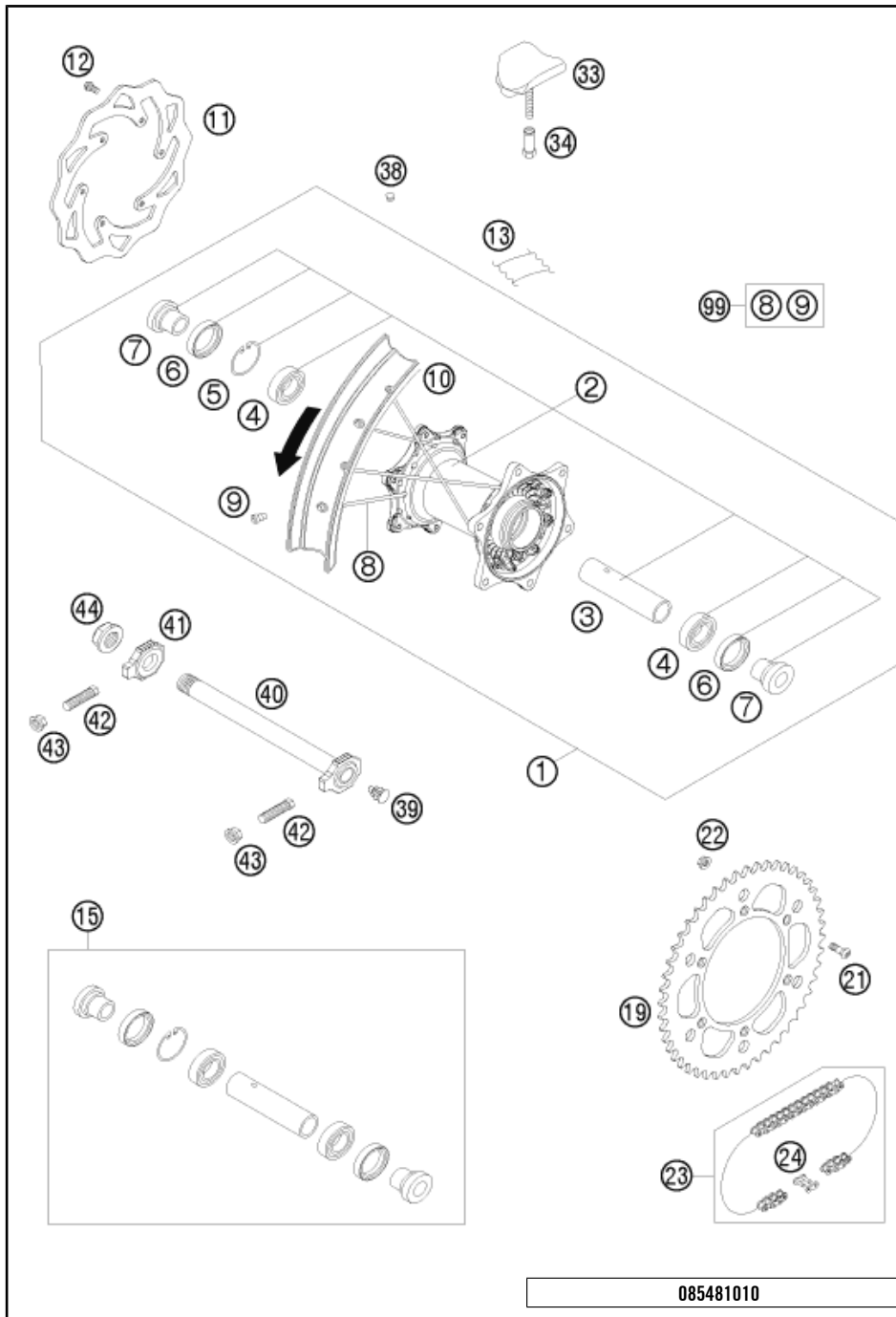
* NEW PART X ON DEMAND



| POS | PARTNUMBER | PARTNAME | PIECE |
|-----|---------------|--------------------------------|-------|
| 1 | 7801000114430 | REAR WHEEL CPL. 2,15X18"EXC.09 | 1 |
| 2 | 78010010144 | REAR WHEEL HUB CPL. | 1 |
| 3 | 59010011000 | BUSHING SPACER TUBE 121,5MM 01 | 1 |
| 4 | 0625060058 | GR.BALL BEAR.6005 DDU2CG23S6NM | 2 |
| 5 | 0472047175 | CIRCLIP DIN0472-47X1,75 | 1 |
| 6 | 0760324771 | SHAFT SEAL RING 32X47X7 BSL | 2 |
| 7 | 78010016000 | BUSHING FOR HUB 08 | 2 |
| 8 | 78010174193 | SPOKE M5X193- 18" | 36 |
| 9 | 58309072100 | SPOKE NIPPLE M5-TA 8X21MM | 36 |
| 10 | 7801007000030 | RIM 2,15X18" EXCEL AL7 BLACK | 1 |
| 11 | 77310060000 | BRAKE DISC REAR 220 | 1 |
| 12 | 59009062013 | SPECIAL SCREW M6X13 WS=8 10.9 | 6 |
| 13 | 50310073200 | RIM BAND 18" AND 19" | 1 |
| 15 | 78010015000 | REAR WHEEL REP. KIT | x |
| 19 | 5841005103804 | REAR SPROCKET ORANGE 38-T | x |
| 19 | 5841005104004 | REAR SPROCKET ORANGE 40-T | x |
| 19 | 5841005104204 | REAR SPROCKET ORANGE 42-T | x |
| 19 | 5841005104404 | REAR SPROCKET ORANGE 44-T | x |
| 19 | 5841005104804 | REAR SPROCKET ORANGE 48-T | x |
| 19 | 5841005104904 | REAR SPROCKET ORANGE 49-T | x |
| 19 | 5841005105004 | REAR SPROCKET ORANGE 50-T | x |
| 19 | 5841005105104 | REAR SPROCKET ORANGE 51-T | x |
| 19 | 5841005105204 | REAR SPROCKET ORANGE 52-T | x |
| 21 | 0019080266S | COUNTER-SUNK SCREW ISA45 M8X26 | 6 |
| 22 | 06923080003 | HEXAGON NUT DIN EN1661 M8 SW13 | 6 |
| 23 | 50310165118 | CHAIN 5/8X1/4" MX | 1 |
| 23 | 78010167118 | CHAIN DID 118 ROLLS | 1 |
| 24 | 50310166000 | CONNECTING LINK F. 50310165118 | 1 |
| 24 | 78010166000 | CONNECTING LINK F. 78010167118 | 1 |
| 33 | 54010100100 | RIM LOCK VM3 (2.15") | 2 |
| 34 | 50310090050 | NUT FOR WHEEL HOLDER '96 | 2 |
| 38 | 55003135000 | PLUG FOR RIM | x |
| 39 | 50210086000 | COVERING CAP SFL16 | x |
| 40 | 77310085044 | WHEEL SPINDLE RE. CPL.265MM 07 | 1 |
| 41 | 50310084000 | CHAIN TENSIONER R/S 2000 | 1 |
| 42 | 50304040100 | SCREW M10X1,25X50 WS=10 | 2 |
| 43 | 58414030000 | HH COLLAR NUT M10X1,25 WS=13 | 2 |

* NEW PART

X ON DEMAND



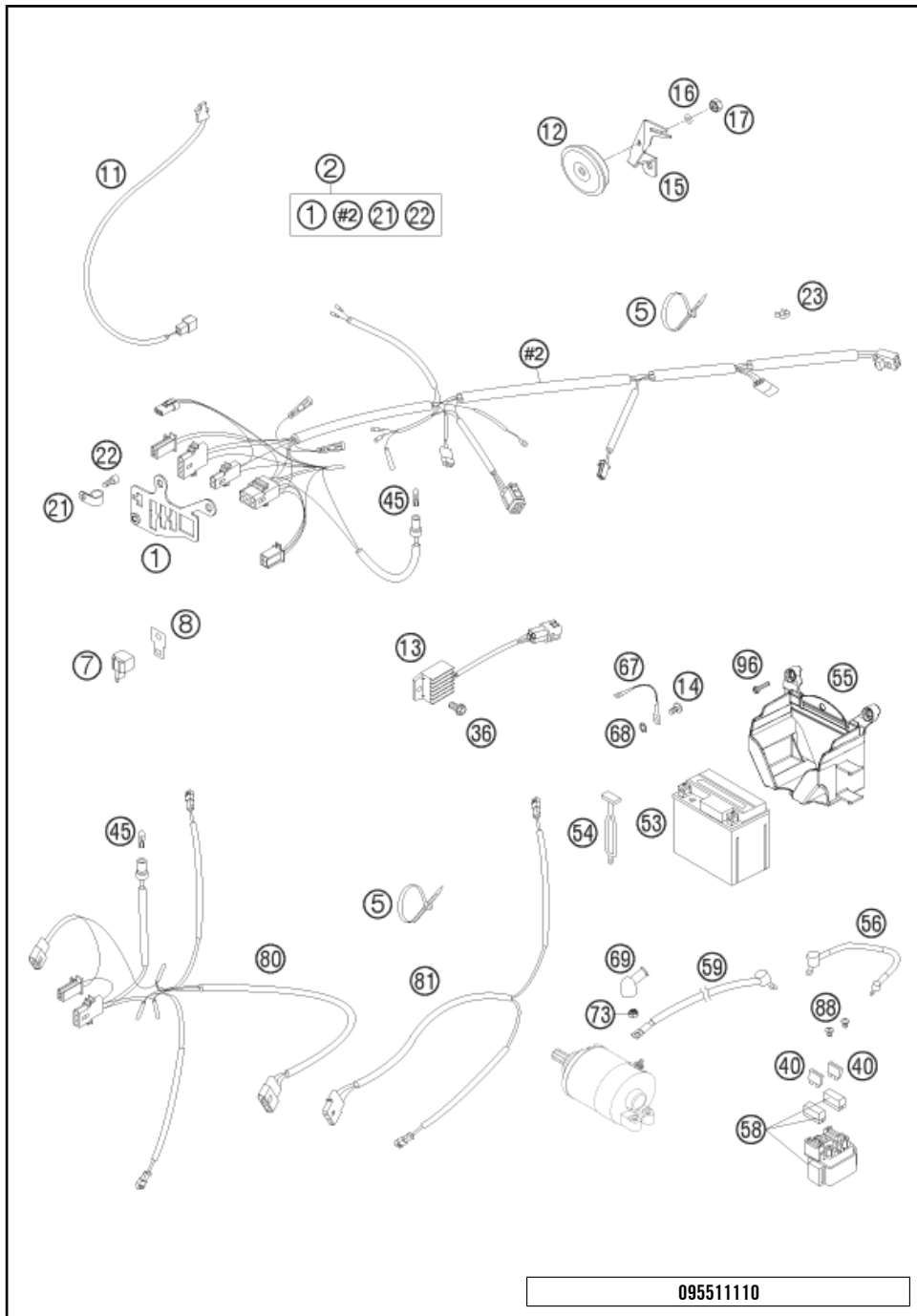
| POS | PARTNUMBER | PARTNAME | PIECE |
|-----|-------------|-------------------------|-------|
| 44 | 50310099000 | HEXAGON NUT M20X1,5 '98 | 1 |
| 99 | 00050000901 | SPOKE KIT REAR 18" | x |

085481010

C115031012

* NEW PART

X ON DEMAND



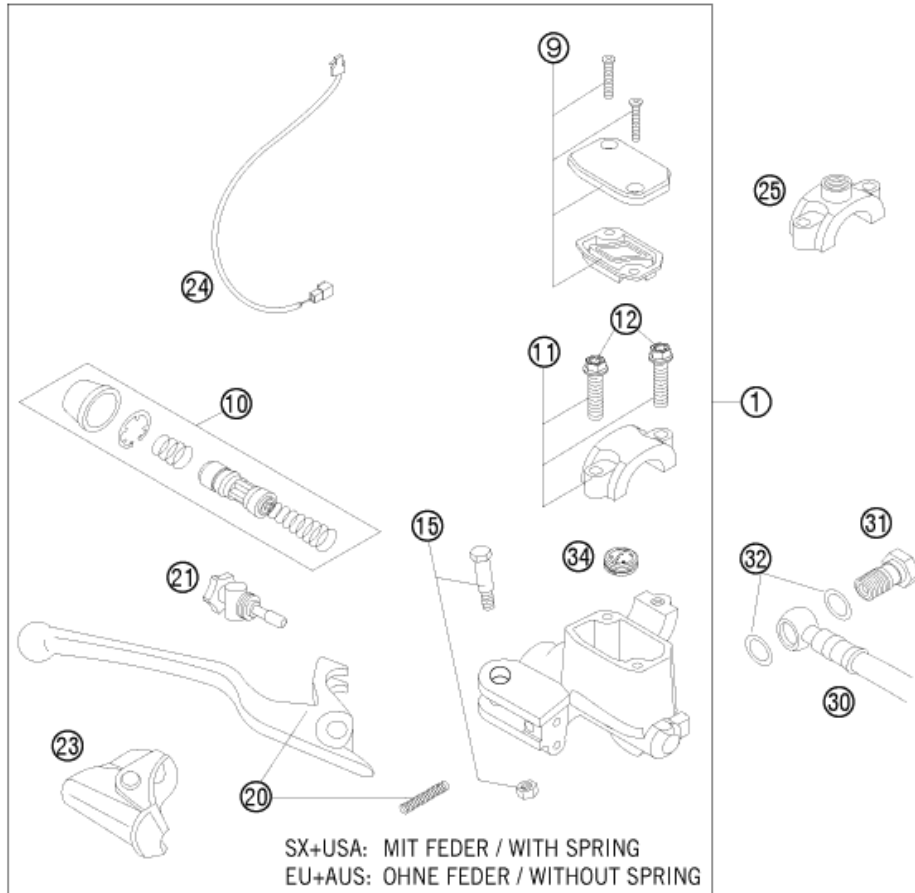
095511110

| POS | PARTNUMBER | PARTNAME | PIECE |
|-----|-------------|--------------------------------|-------|
| 1 | 54811083100 | SUPPORT BRACKET EXC 2005 | 1 |
| 2* | 59411075250 | MAIN WIRING HARNESS EXC/EU 10 | 1 |
| 5 | 44011076140 | CABLE TIE 140/2,5MM BLACK | x |
| 5 | 44011076305 | CABLE TIE 300/4,8MM BLACK | x |
| 5 | 44011076200 | CABLE TIE 200/3,6MM BLACK | x |
| 7 | 44611207200 | FLASHER UNIT 97 | 1 |
| 8 | 58211031100 | BRACKET FOR FLASHER RELAY | 1 |
| 11 | 50311050100 | BRAKE LIGHT SWITCH FRONT 2002 | 1 |
| 12 | 50311060200 | DC HORN 12V 07 | 1 |
| 13 | 80011034000 | VOLTAGE REGULATOR 04 | 1 |
| 14* | 0009050106 | EJOT SPIRAL SCREW SF M5X10-K | 1 |
| 15 | 78011061000 | HORN BRACKET EXC 08 | 1 |
| 16 | 0125050003 | WASHER DIN0125-A 5,3 | 1 |
| 17 | 0934050003 | HEXAGON NUT DIN0934-M 5 | 1 |
| 21 | 57013070000 | PVC-CLAMP 7/16" HEYCO 3377 | 1 |
| 22 | 0912050083 | AH SCREW DIN 912 M 5X8 | 1 |
| 23 | 57013072000 | WIRING HOLDER 12MM | x |
| 23 | 57013072100 | WIRING HOLDER 16MM | x |
| 36 | 0025060126 | HH COLLAR SCREW M6X12 TX30 | 1 |
| 40* | 58011109110 | FUSE 10 A 2000 | 2 |
| 45 | 49111425200 | BULB 12V 2,3W (W2X4,6D) | 2 |
| 53* | 77311053000 | BATTERY 12V 3AH YTX4L-BS | 1 |
| 54* | 50303018000 | RUBBER L=145MM | 2 |
| 55* | 77311055000 | BATTERY CASING | 1 |
| 56* | 58711086000 | WIRING HARNESS BATTERY DUKE'99 | 1 |
| 58* | 58211058000 | STARTER RELAY 12V '99 | 1 |
| 59* | 55111059000 | STARTERCABLE 1100MM 07 | 1 |
| 67* | 58411097100 | GROUND CABLE D=6MM L=140MM '97 | 1 |
| 68* | 58411098100 | CONTACT WASHER M6 VSV-K6 | 1 |
| 69* | 58440099000 | PROTECTION CAP F. STARTER ENG. | 1 |
| 73* | 0985060003 | SELF LOCK. NUT DIN0985-M 6 | 1 |
| 80 | 59011080100 | FLASH. WIRINGHARNESS FRONT 06 | 1 |
| 81 | 59011081200 | FLASHER LIGHT WIRING REAR 10 | 1 |
| 88* | 0902060083 | AH OVAL SCREW ISO 7380 M 6X8 | 2 |
| 96* | 0017060203 | EJOT PT SCREW K6X20 WS=6 | 3 |

C115481111

* NEW PART

X ON DEMAND



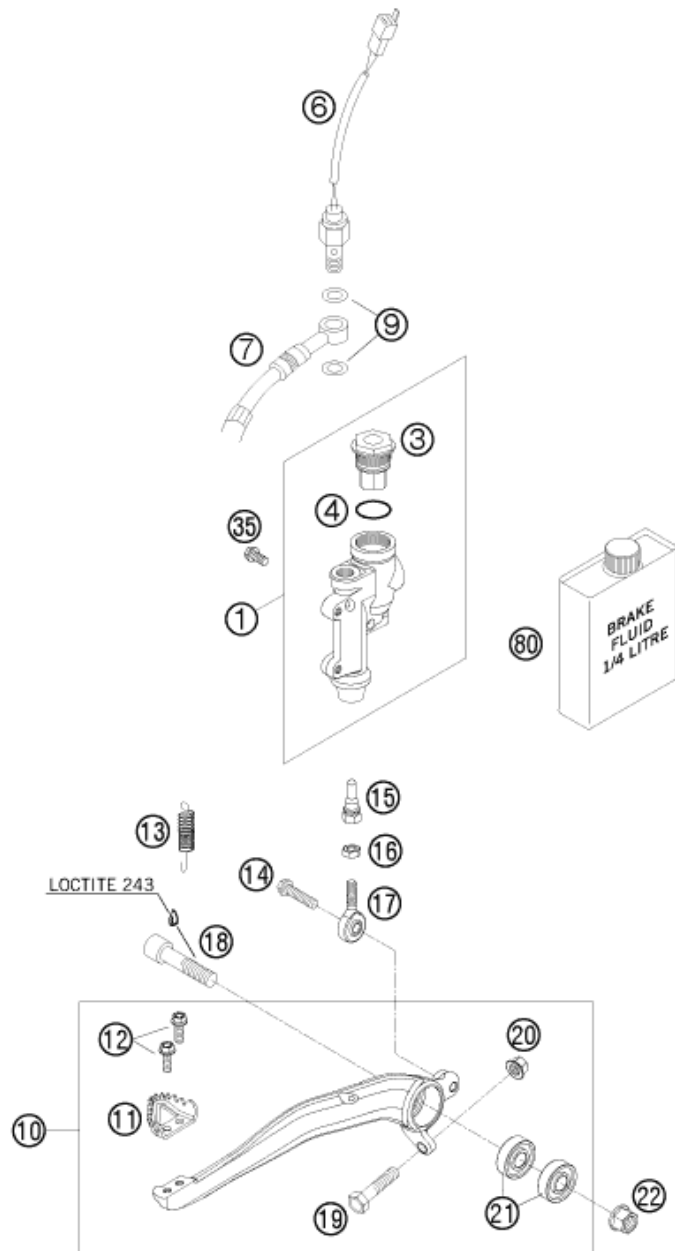
| POS | PARTNUMBER | PARTNAME | PIECE |
|-----|-------------|--------------------------------|-------|
| 1 | 77013001144 | HAND BRAKE CYLINDER CPL.EXC 09 | 1 |
| 9 | 50313003000 | HANDBRAKE CYL.COVER CPL.NATURE | 1 |
| 10 | 54813008300 | REP.SET PISTON D=9MM 2009 | 1 |
| 11 | 50313005000 | CLAMP CPL. NATURE | 1 |
| 12 | 0025060256 | HH COLLAR SCREW M6X25 TX30 | 2 |
| 15 | 50313006100 | LEVER SCREW CPL. 2001 | 1 |
| 20 | 54813002200 | HAND BRAKE LEVER + SPRING 2009 | 1 |
| 21 | 54813007300 | ADJUSTING SCREW CPL. SX 2009 | 1 |
| 23 | 50313004000 | PROTECTION CAP HAND BRAKE CYL. | 1 |
| 24 | 50311050100 | BRAKE LIGHT SWITCH FRONT 2002 | 1 |
| 25 | 58012040150 | CLAMP FOR MIRROR '94 | 1 |
| 30 | 59013011000 | BRAKEHO. FRONT 1300MM 2000 | 1 |
| 31 | 54813020200 | % BANJO SCREW 08 | 1 |
| 32 | 0603100141 | COPPER GASKET DIN7603-10X14X1 | 2 |
| 34 | 54802051000 | VALVE | 1 |
| 80 | 00062030000 | BRAKE FLUID DOT5.1 0,25L | 1 |

095511310

C107801311

* NEW PART

X ON DEMAND



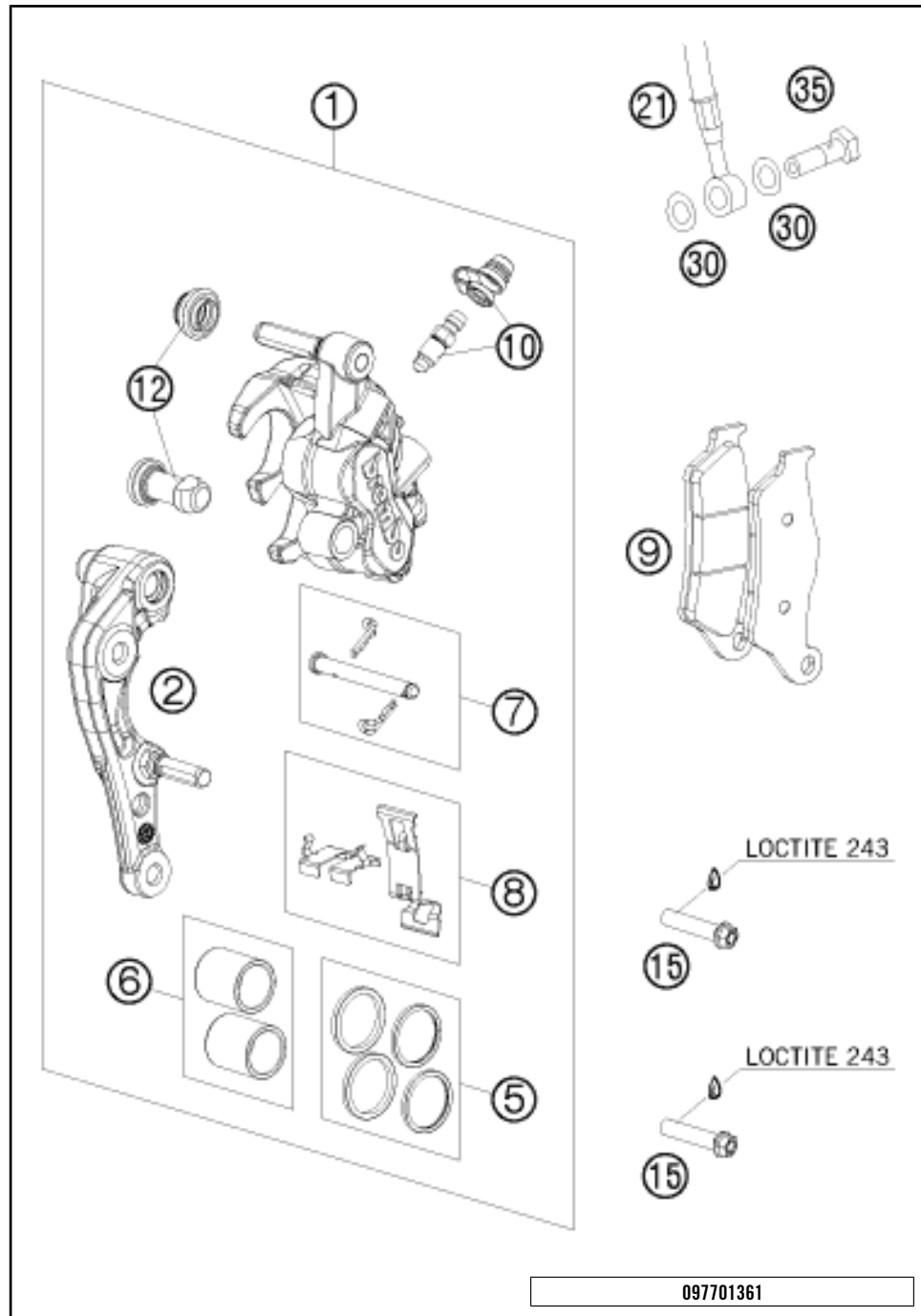
| POS | PARTNUMBER | PARTNAME | PIECE |
|-----|-------------|-------------------------------|-------|
| 1 | 77013060044 | REAR BRAKE CYLINDER CPL.SX 09 | 1 |
| 3 | 54813062100 | REAR BRAKE CYL. COVER CPL. 04 | 1 |
| 4 | 54813063000 | FOOT-BRAKE CYL. GASKET SX 03 | 1 |
| 6 | 50311051100 | BRAKE LIGHT SWITCH REAR '98 | 1 |
| 7 | 54813070000 | BRAKE HOSE REAR 655MM 03 | 1 |
| 9 | 0603100141 | COPPER GASKET DIN7603-10X14X1 | 2 |
| 10 | 77313050044 | % FOOT BRAKE LEVER CPL. 07 | 1 |
| 11 | 54813051000 | STEP PLATE FOR BRAKE LEVER | 1 |
| 12 | 0025050126 | HH COLLAR SCREW M5X12 TX30 | 2 |
| 13 | 54603062000 | RETURN SPRING FOR BRAKE LEVER | 1 |
| 14 | 0025060206 | HH COLLAR SCREW M6X20 TX30 | 1 |
| 15 | 54813056000 | PUSH ROD L=28MM 03 | 1 |
| 16 | 0934060003 | HEXAGON NUT DIN0934-M 6 | 1 |
| 17 | 54813055000 | SWIVEL HEAD KA6 03 | 1 |
| 18* | 0032100406S | AH-COLLAR SCREW M10X40 ISA45 | 1 |
| 19 | 59001037000 | SPECIAL SCREW M8X26 WS=10 | 1 |
| 20 | 46030045000 | COLLAR NUT M8 WS=10 | 1 |
| 21 | 0625060002 | BALL BEARING SKF 6000-2RS1 | 2 |
| 22 | 54630044000 | COLLAR NUT M10 WS=13 | 1 |
| 35 | 0025060126 | HH COLLAR SCREW M6X12 TX30 | 2 |
| 80 | 00062030000 | BRAKE FLUID DOT5.1 0,25L | 1 |

097801330

C115031331

* NEW PART

X ON DEMAND

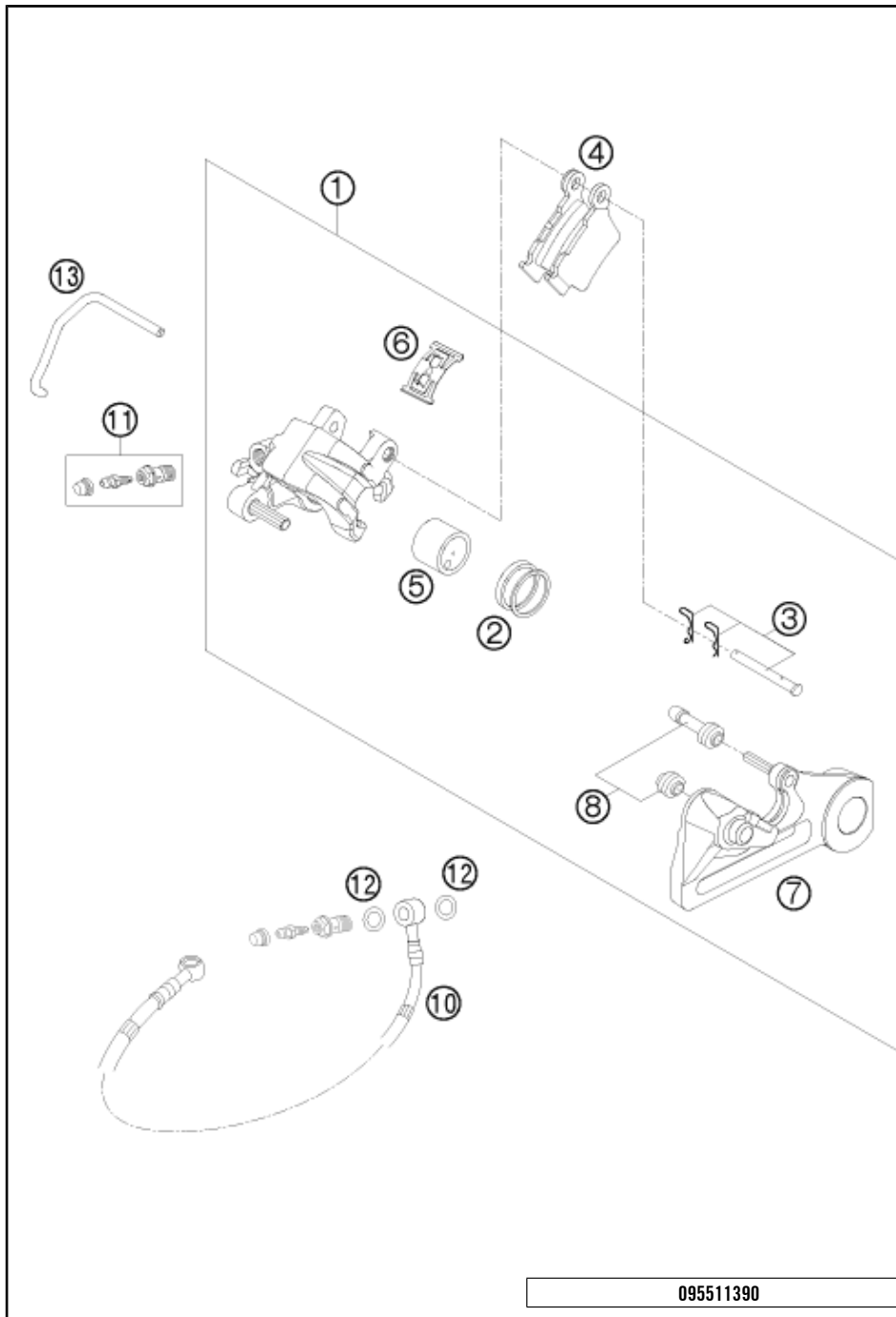


| POS | PARTNUMBER | PARTNAME | PIECE |
|-----|---------------|--------------------------------|-------|
| 1 | 7701301500101 | CALIPER NAT. WITHOUT PADS | 1 |
| 2 | 77013014000 | BRAKE CALIPER SUPPORT FRONT 09 | 1 |
| 5 | 77013021000 | REP. KIT SEALS 24MM | 1 |
| 6 | 77013019000 | REP. KIT PISTON 24MM | 1 |
| 7 | 77013017000 | BOLT CPL. 09 | 1 |
| 8 | 77013018000 | RETAINING PLATE SET BREMBO | 1 |
| 9 | 77013020000 | BRAKE PADS TOYO B153 | 1 |
| 10 | 61013020100 | BLEEDER SCREW WITH CAP | 1 |
| 12 | 54613218000 | CUP SET SHORT | 1 |
| 15 | 0025080356S | HH COLLAR SCREW M8X35 TX40 | 2 |
| 21 | 59013011000 | BRAKEHO. FRONT 1300MM 2000 | 1 |
| 30 | 0603100141 | COPPER GASKET DIN7603-10X14X1 | 2 |
| 35 | 50213025000 | HOLLOW SCREW M10X1X19 | 1 |

097701361

C107801361

* NEW PART X ON DEMAND



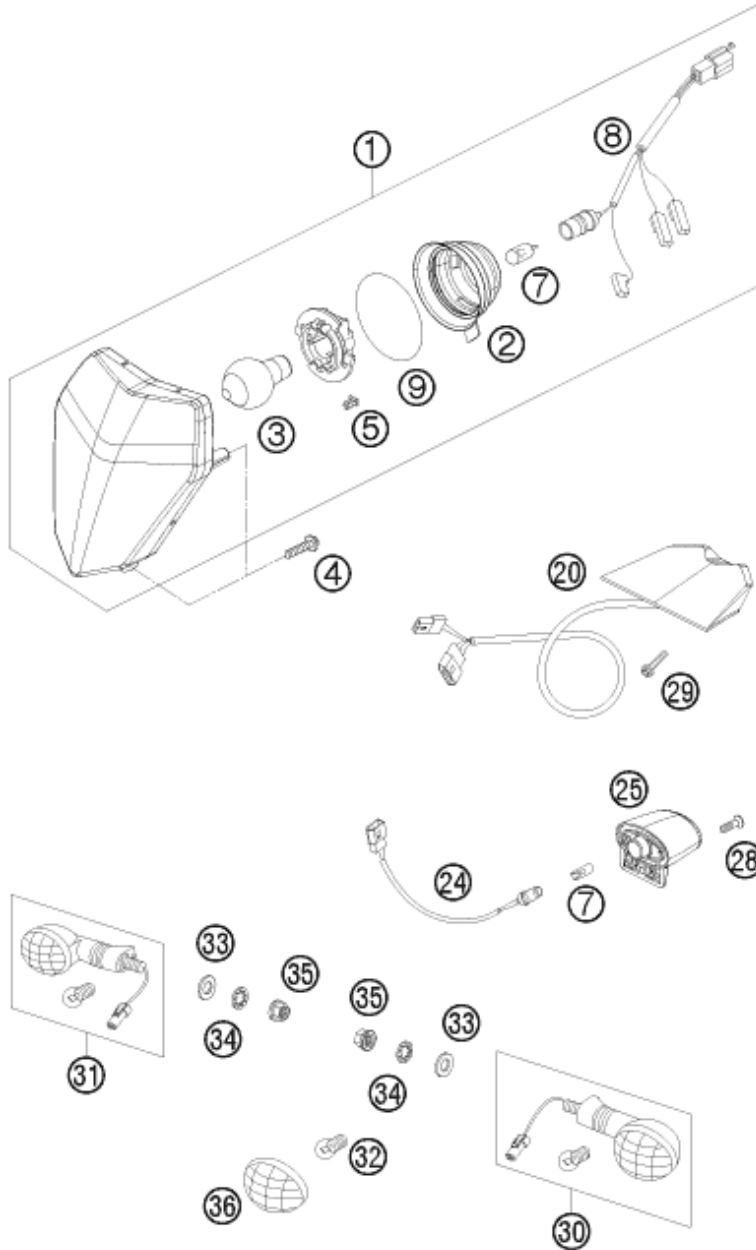
| POS | PARTNUMBER | PARTNAME | PIECE |
|-----|-------------|-------------------------------|-------|
| 1 | 54813080101 | BRAKE CAL. RE. - WITHOUT PADS | 1 |
| 2 | 50313081200 | REPAIR KIT SEALING RINGS 26MM | 1 |
| 3 | 54813082000 | BOLT SET FOR BRAKE CALIPER 03 | 1 |
| 4 | 54813090300 | BRAKE PAD SET REAR TOYO | 1 |
| 5 | 54813083000 | BRAKE PISTON 26MM 2003 | 1 |
| 6 | 54813018000 | RETAINING SPRING SET 2003 | 1 |
| 7 | 54813075000 | BRAKE CALIPER SUPPORT REAR | 1 |
| 8 | 54613218000 | CUP SET SHORT | 1 |
| 10 | 54813070000 | BRAKE HOSE REAR 655MM 03 | 1 |
| 11 | 62513020000 | BLEEDER SCREW CPL. 05 | 1 |
| 12 | 0603100141 | COPPER GASKET DIN7603-10X14X1 | 2 |
| 13 | 50313082200 | *BRAKE PAD RETAINING PIN | 1 |

095511390

C105511390

* NEW PART

X ON DEMAND



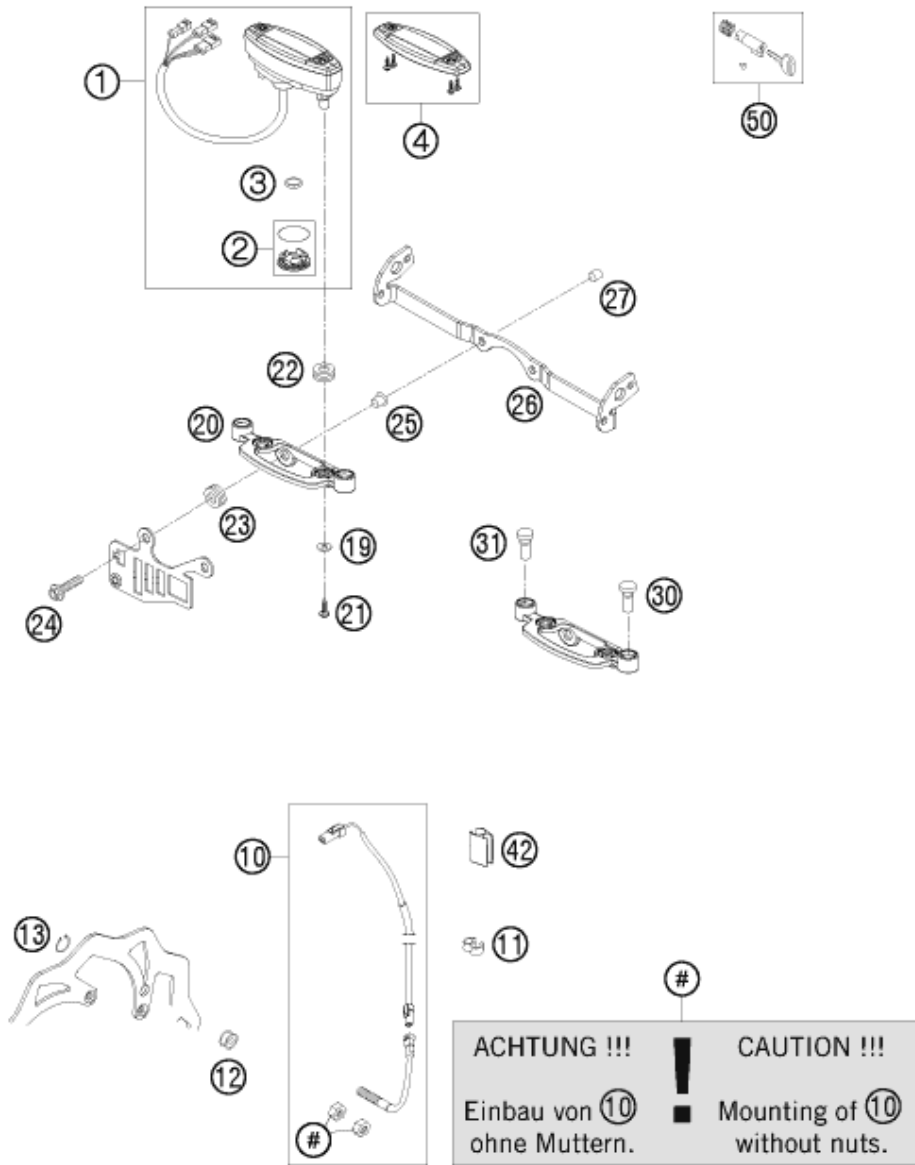
| POS | PARTNUMBER | PARTNAME | PIECE |
|-----|-------------|--------------------------------|-------|
| 1 | 78014001000 | HEAD LIGHT CPL. EXC-EU 08 | 1 |
| 2 | 54814001050 | RUBBER CAP FOR HEAD LIGHT 05 | 1 |
| 3 | 44111038000 | BILUX-BULB 12V 35/35W BA20D | 1 |
| 4 | 0081050181 | SCREW FOR PLASTIC K50X18 T20 | 3 |
| 5 | 78014009000 | DRAIN HOLE COVER | 1 |
| 7 | 49011435100 | BULB 12V 5W (W2,1X9,5D) PHIL. | 2 |
| 8 | 54811001050 | CABLE FOR HEAD LIGHT 2005 | 1 |
| 9 | 0770350032 | O-RING 35,00X32,00 NBR | 1 |
| 20 | 78014040000 | REAR LIGHT EXC-EU 2008 | 1 |
| 24 | 78011093000 | WIRING H. LICENSE PL. ILLUM.08 | 1 |
| 25 | 75014047000 | LICENSE PLATE ILLUMINATION 07 | 1 |
| 28 | 0081250181 | SCREW FOR PLASTIC 50X18 T20 | 1 |
| 29 | 0017060203 | EJOT PT SCREW K60X20 WS=6 | 2 |
| 30 | 54814025200 | FLASHER CPL. FR.L/S RE.R/S 09 | 2 |
| 31 | 54814026200 | FLASHER CPL. FR.R/S RE.L/S 09 | 2 |
| 32 | 44111015100 | BULB 12V 10W (BA15S) | 4 |
| 33 | 0125100003 | WASHER DIN0125-A10,5 | 4 |
| 34 | 0797100003 | LOCK WASHER DIN6797-J10,5 ZI | 4 |
| 35 | 58414030000 | HH COLLAR NUT M10X1,25 WS=13 | 4 |
| 36 | 54814028000 | FLASHER LENS L/S R/S 05 | 4 |

095031410

C105481410

* NEW PART

X ON DEMAND



| POS | PARTNUMBER | PARTNAME | PIECE |
|-----|-------------|--------------------------------|-------|
| 1 | 54814069000 | SPEEDOMETER KM/H F. 21" 2005 | 1 |
| 2 | 54814069010 | BATTERY COVER F. SPEEDOM. 2005 | 1 |
| 3 | 58314068000 | BATTERY F. SPEEDOM. M.A.E. 02 | 1 |
| 4 | 54814069020 | SPEEDOMETER TOP PART 05 | 1 |
| 10 | 54814068100 | CABLE FOR DIGITAL SPEEDOM. 06 | 1 |
| 11 | 55011022100 | CLAMP D=6/8MM, BLACK | 3 |
| 12 | 54814069050 | MAGNET FOR DIGITAL SPEEDOM. 03 | 1 |
| 13 | 0471009104 | CIRCLIP DIN0471- 9X1 INOX | 1 |
| 19 | 0021050003 | WASHER DIN9021-A 5,3 | 2 |
| 20 | 54814060000 | SPEEDOMETER BRACKET 05 | 1 |
| 21 | 0081050121 | SCREW FOR PLASTIC K50X12 T20 | 2 |
| 22 | 58214069051 | RUBBER GROMMET 16X10,8X3 02 | 2 |
| 23 | 31008060000 | RUBBER SLEEVE D=8MM OPEN | 2 |
| 24 | 0025060306 | HH COLLAR SCREW M6X30 TX30 | 2 |
| 25 | 58314060050 | SPACER BUSH. F. SPEEDOMET.BRA. | 2 |
| 26 | 78014033000 | FLASHER BRACKET EXC 08 | 1 |
| 27 | 50208020000 | SPACER BUSHING 7X10X7,5 | 2 |
| 30 | 58011021300 | H.BEAM INDICATOR LIGHT BLUE'98 | 1 |
| 31 | 58011024300 | FLASHER INDICAT.LIGHT GREEN'98 | 1 |
| 42 | 54813026000 | CABLE SUPPORT 10/6MM 06 | 2 |
| 50 | 78003035000 | STEERING HEAD LOCK 08 | 1 |

ACHTUNG !!! CAUTION !!!

Einbau von 10 ohne Muttern. **!** Mounting of 10 without nuts.

107801430

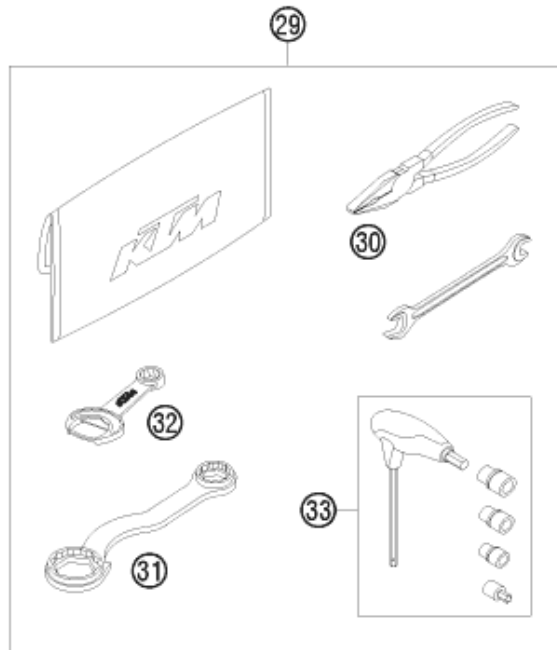
C107801431

* NEW PART

X ON DEMAND

①
OHNE ABBILDUNG
WITHOUT ILLUSTRATION

②
TECHNISCHE DOKUMENTATION
TECHNICAL DOCUMENTATION
DOCUMENTACION TECNICA
DOCUMENTATION TECHNIQUE
NOTE TECNICHE



085032001

| POS | PARTNUMBER | PARTNAME | PIECE |
|-----|---------------|--------------------------------|-------|
| 0 | 54806416000 | FILTER CARRIER 2S SX 07 | 1 |
| 0 | 00062030019 | AIR FILTER OIL 100ML | 1 |
| 0 | 312313 | KTM BALLPOINT PEN ORANGE | 1 |
| 0 | 78003040033 | FOOTREST L/S + R/S CPL. 09 | 1 |
| 0 | 77303094100 | PLASTIC FRAME PROTECTION SET | 1 |
| 0 | 54805107000 | EXHAUST MANIFOLD | 1 |
| 0 | 58012040150 | CLAMP FOR MIRROR '94 | 1 |
| 0 | 58012040000 | REAR MIRROR L/S | 1 |
| 0 | 58012140000 | REAR MIRROR R/S | 1 |
| 0 | 58012040150 | CLAMP FOR MIRROR '94 | 1 |
| 0 | 58412080000 | REFLECTOR RED LC4 '98 | 1 |
| 0 | 58412080050 | BRACKET FOR REFLECTOR | 1 |
| 0 | 40006006000 | WASHER 6MM | 2 |
| 0 | 0966050203 | OVAL HEAD SCREW DIN0966-M 5X20 | 2 |
| 0 | 0125050003 | WASHER DIN0125-A 5,3 | 2 |
| 0 | 0985050003 | SELF LOCKING NUT DIN0985-M 5 | 2 |
| 0 | 5841005105004 | REAR SPROCKET ORANGE 50-T | 1 |
| 0 | 0019080266S | COUNTER-SUNK SCREW ISA45 M8X26 | 6 |
| 0 | 0019080206S | FLAT HEAD SCREW M. ISA45 M8X20 | 1 |
| 0 | 78010165116 | CHAIN DID 116 ROLLS | 1 |
| 0 | 3210039 | * CUSTOMER WELCOME LETTER | 1 |
| 0 | 312305 | DOCUMENTS BAG 2006 | 1 |
| 0 | 50313082200 | *BRAKE PAD RETAINING PIN | 1 |
| 0 | 7700207900004 | HAND GUARDS CPL.L/S+R/S OR. 06 | 1 |
| 0 | SXS08125610 | BLEEDER VALVE SET | 1 |
| 0 | 54809081060 | FRONT AXLE PULL 26MM 04 | 1 |
| 0 | 77202002100 | % BAR PAD CPL. | 1 |
| 0 | 55103190000 | SKID PLATE PLASTIC | 1 |
| 0 | 77311053000 | BATTERY 12V 3AH YTX4L-BS | 1 |
| 1 | 3CF7303K2EN | SPC CHASSIS 250 EXC SD 11 | 1 |
| 1 | 3CM083685KEN | SPM ENGINE 250 E-START 2011 | 1 |
| 1 | 3211600EN | %OWN.MAN.125-300 XC-W/EXC 2011 | 1 |
| 29 | 54829099000 | ORIGINAL EQUIPMENT TOOL KIT | 1 |
| 30 | 53012028200 | GRIP ORANGE B&F | 1 |
| 31 | 50329080100 | WRENCH SW=17/21/27/32 B&F | 1 |
| 32 | 50329071100 | WRENCH WS=13 B&F + OPENER | 1 |
| 33 | 60029070200 | T-WRENCH WS=6/8/10 TX=45 B&F | 1 |

C115482008

* NEW PART

X ON DEMAND

A large, empty rectangular box with a thin black border, occupying the majority of the page. It is intended for handwritten notes.

A large, empty rectangular box with a thin black border, occupying the majority of the page. It is intended for handwritten notes.

A large, empty rectangular box with a thin black border, occupying the majority of the page. It is intended for the user to write their notes.

WWW.KTM.COM



KTM-Sportmotorcycle AG
5230 Mattighofen, Austria
www.ktm.com



KTM_POWERPARTS

KTM_POWERWEAR

KTM_ORIGINAL SPARE PARTS



3CF 7303K2EN

Art. Nr.: 3CF 7303K2EN 8. Jan 2013