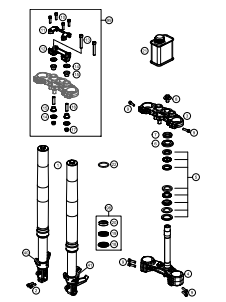
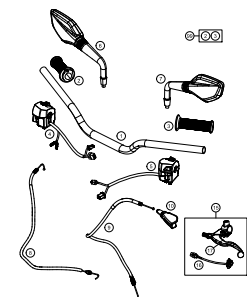
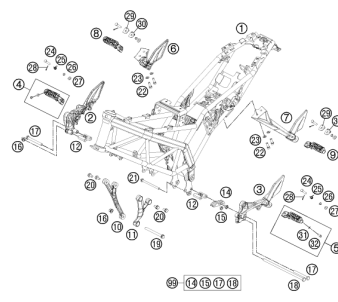
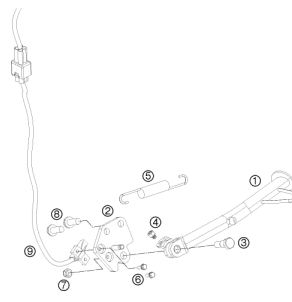
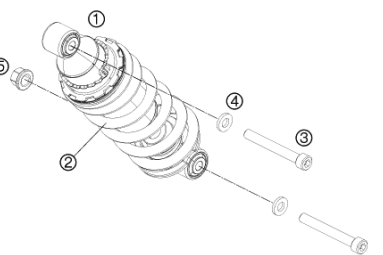
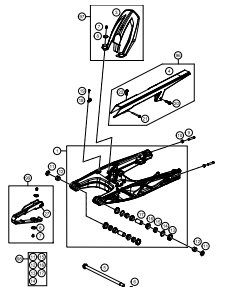
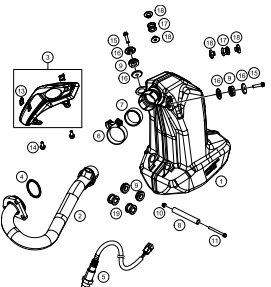
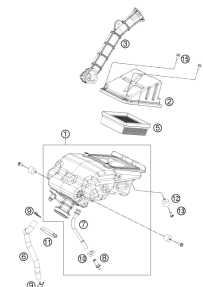
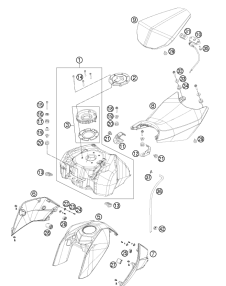
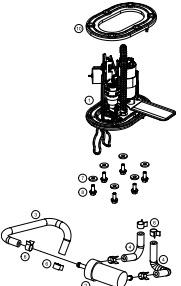
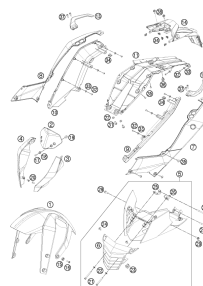
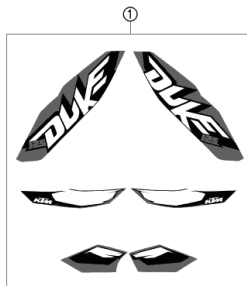
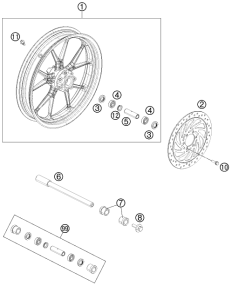
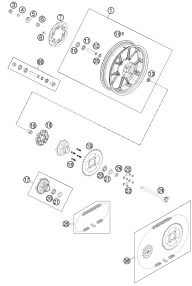

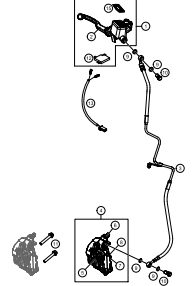
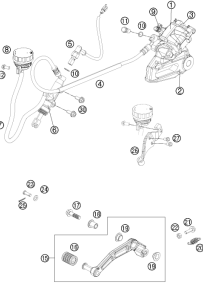
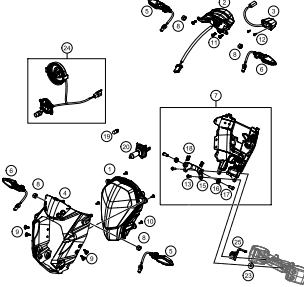
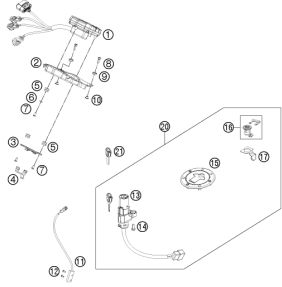


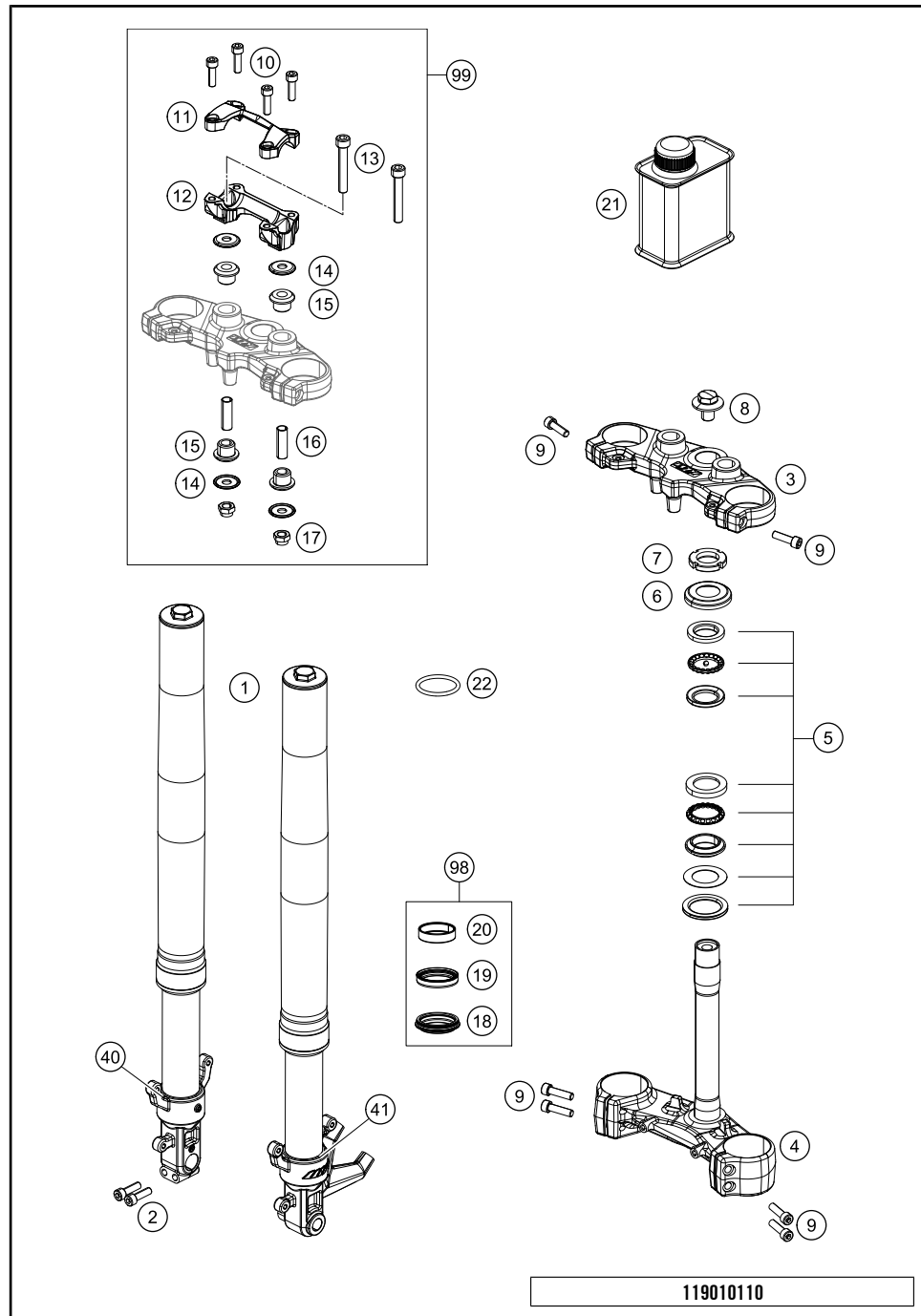
125 DUKE EU 2011

ART.-NR.: 3CF 8003K4EN



<p>FRONT FORK, TRIPLE CLAMP</p>  <p>3</p>	<p>HANDLEBAR, CONTROLS</p>  <p>4</p>	<p>FRAME</p>  <p>5</p>	<p>SIDE / CENTER STAND</p>  <p>6</p>
<p>SHOCK ABSORBER</p>  <p>7</p>	<p>SWING ARM</p>  <p>8</p>	<p>EXHAUST SYSTEM</p>  <p>9</p>	<p>AIR FILTER</p>  <p>10</p>
<p>TANK, SEAT, COVER</p>  <p>11</p>	<p>FUEL PUMP</p>  <p>12</p>	<p>MASK, FENDERS</p>  <p>13</p>	<p>DECAL</p>  <p>14</p>

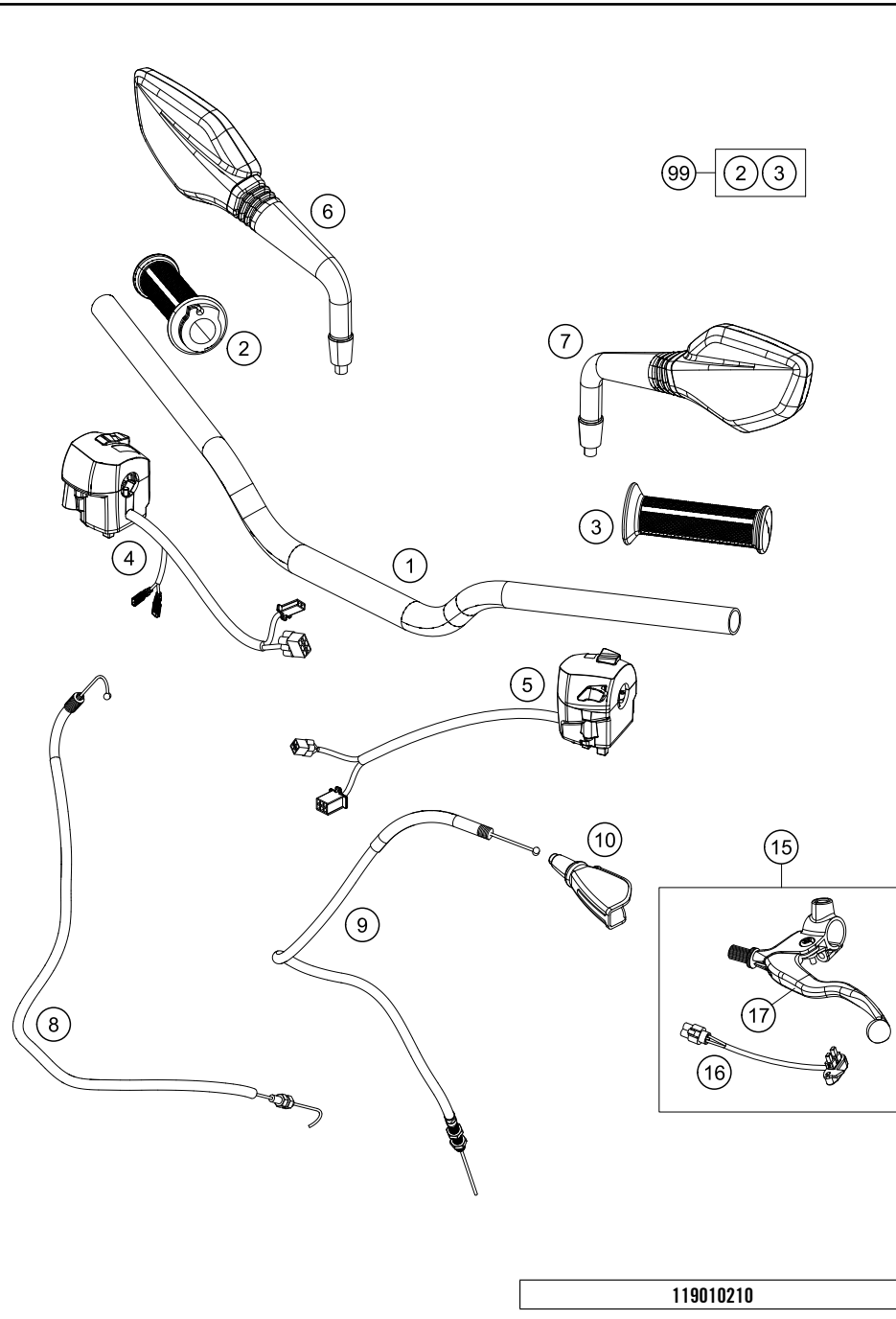
<p>FRONT WHEEL</p>  <p style="text-align: right;">15</p>	<p>REAR WHEEL</p>  <p style="text-align: right;">16</p>	<p>WIRING HARNESS</p>  <p style="text-align: right;">17</p>	<p>BRAKE SYSTEM FRONT</p>  <p style="text-align: right;">18</p>
<p>BRAKE SYSTEM REAR</p>  <p style="text-align: right;">19</p>	<p>LIGHTING SYSTEM</p>  <p style="text-align: right;">20</p>	<p>INSTRUMENTS / LOCK SYSTEM</p>  <p style="text-align: right;">21</p>	<p>ACCESSORIES KIT</p> <div style="text-align: center;"> <p>①</p> <p>OHNE ABBILDUNG WITHOUT ILLUSTRATION</p> </div> <div style="text-align: center; margin-top: 20px;"> <p>①</p> <p>TECHNISCHE DOKUMENTATION TECHNICAL DOCUMENTATION DOCUMENTAZIONE TECNICA DOCUMENTATION TECHNIQUE NOTE TECNICHE</p> </div> <p style="text-align: right;">22</p>
<div style="display: flex; align-items: center;"> <div style="background-color: #cccccc; width: 50px; height: 100px; display: flex; align-items: center; justify-content: center; margin-right: 20px;"> ! </div> <div> <p>All information contained is without obligation. KTM Sportmotorcycle GmbH particularly reserves the right to modify any equipment, technical specifications, prices, colors, shapes, materials, services, service work, constructions, equipment and the like so as to adapt them to local conditions or to cancel any of the above items, all without previous announcement and without giving reasons. KTM may stop manufacturing certain models without previous notice. KTM shall not be held liable for any deviations of availability and/or ability to deliver, illustrations, descriptions, printing and/or other errors. The illustrated models partly contain extra equipment, which is not applied to standard models.</p> <p>© by KTM Sportmotorcycle GmbH, Mattighofen AUSTRIA; All rights reserved; Reprint, also in extracts, with written allowance of KTM Sportmotorcycle GmbH, Mattighofen only.</p> </div> </div>			



POS	PARTNUMBER	PARTNAME	PIECE
1	90101001000	FORK LEG L/S CPL.	1
1	90101002000	FORK LEG R/S CPL.	1
2	J020080273	AH SCREW M8X27	2
3	90101034035	TOP TRIPLE CLAMP	1
4	90101032000	% BOT. TRIPLE CLAMP CPL.	1
5	90101080044	STEERING HEAD BEARING-KIT	1
6	90101086000	PROTECTION CAP	1
7	90101036000	ADJUSTING RING STEERING HEAD	1
8	90101136000	CLAMP SCREW STEERING HEAD	1
9	90101031001	AH SCREW M8X30	6
10	90101044000	SPECIAL SCREW M8X29 SS	4
11	90101038000	HANDLEBAR CLAMP	1
12	90101039000	HANDLEBAR SUPPORT D=26MM	1
13	J022100643	AH SCREW M10X1,25X64	2
14	90101042000	WASHER 10,5X32X2	4
15	90101040000	RUBBER BUSHING	4
16	90101041000	SPACER TUBE	2
17	J982101253	SELF L. NUT M10X1,25 H11 WS17	1
18	43570624	DUST CAP 43X53,4X5,8	2
19	43570623	OIL SEAL RING 43X52,9X11,4	2
20	43570204	% DU-BUSH 43X47X12 DAIDO	2
21	48600765S1	% FORK OIL SAE5 5L 2008	1
22	40140024	O-RING NBR 43X2	2
40	90101007044	WHEEL CLAMP CPL. WITH PIPE R/S WITH INNER PIPE	1
41	90101006044	% AXLE CLAMP CPL. W. PIPE L/S WITH INNER PIPE	1
98	90101000010	REP. KIT FORK KPL.	x
99	90101039010	HANDLEBAR SUPPORT KIT	x

* NEW PART

X ON DEMAND



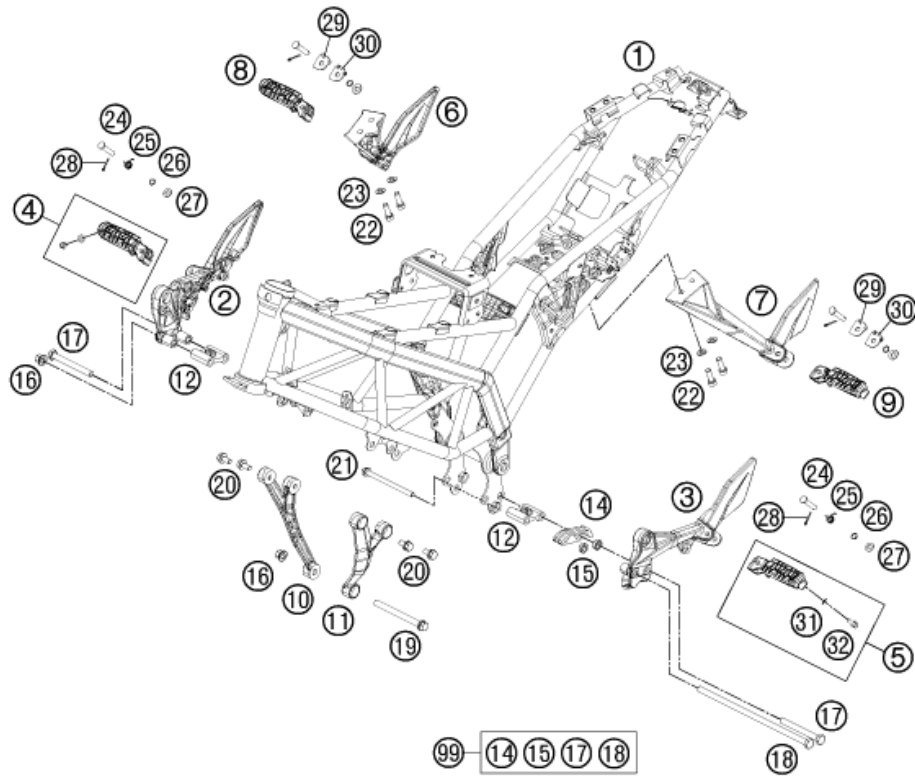
POS	PARTNUMBER	PARTNAME	PIECE
1	90102001000	HANDLEBAR	1
2	90102010000	THROTTLE GRIP CPL.	1
3	90102039000	FIXED GRIP	1
4	90111074000	START-EMERGENCY STOP SWITCH	1
5	90111070000	SWITCH	1
6	90112041000	MIRROR R/S	1
7	90112040000	MIRROR L/S	1
8	90102091000	THROTTLE CABLE	1
9	90102090000	CLUTCH CABLE	1
10	90102016000	PROTECTION CAP THROTTLE CABLE	1
15	90102031000	CLUTCH LEVER CPL.	1
16	90111049000	CLUTCH SWITCH	1
17	90102031050	CLUTCH LEVER	1
99	90102021000	GRIP-SET	x

119010210

C119010210

* NEW PART

X ON DEMAND



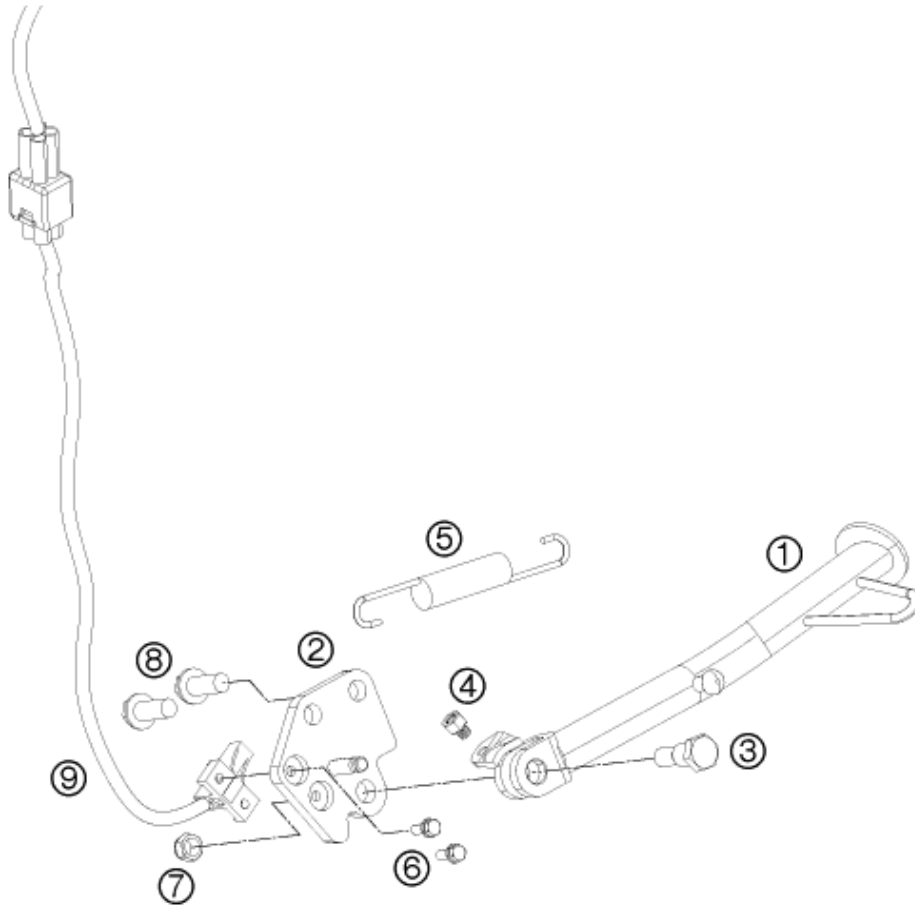
POS	PARTNUMBER	PARTNAME	PIECE
1	90103001000	FRAME	1
2	90103039000	FOOTR. BRACKET FRONT R/S	1
3	90103038000	FOOTREST BRACKET FRONT L/S	1
4	90103041033	FOOTREST FRONT R/S CPL.	1
5	90103040033	FOOTREST FRONT L/S CPL.	1
6	90103049000	FOOTREST BRACKET REAR R/S	1
7	90103048000	FOOTREST BRACKET REAR L/S	1
8	90103051033	FOOTREST REAR R/S CPL.	1
9	90103050033	FOOTREST REAR L/S CPL.	1
10	90103006000	ENGINE SUPPORT R/S	1
11	90103005000	ENGINE SUPPORT L/S	1
12	90103038001	TAP FOOTREST BRACKET FRONT	2
14	90104070000	CHAIN GUIDE	1
15	90104066010	SPACER CHAIN GUIDE	2
16	90103038002	FLANGED NUT M10X1,25 WS14	2
17	J025100926	HH COLLAR SCREW M10X1,25X92	2
18	J025102656	HH COLLAR SCREW M10X1,25X265	1
19	J025101103	HH COLLAR SCREW M10X110 WS14	1
20	J011080163	HH COLLAR SCREW M8X16 SW14	4
21	J027081053	HH COLLAR SCREW M8X105 SW12	1
22	J020080273	AH SCREW M8X27	4
23	J125080003	WASHER 8,2X16X1,5	4
24	90103044000	BOLT FOR FOOTREST	4
25	90103042000	RETURN SPRING FOOTREST	2
26	J770009015	O-RING 9X1,5	4
27	J125080004	WASHER M8	4
28	J094018250	PIN 25X1,8MM	4
29	90103052000	ENGAGE PANEL FOOTREST 1	2
30	90103053000	ENGAGE PANEL FOOTREST 2	2
31	90103040001	PLAIN WASHER 6,4X12X1	2
32	J029060103S	CAP SCREW M6X10 SS	2
99	90104070010	CHAIN GUIDE KIT 125 DUKE	x

119010310

C119010310

* NEW PART

X ON DEMAND



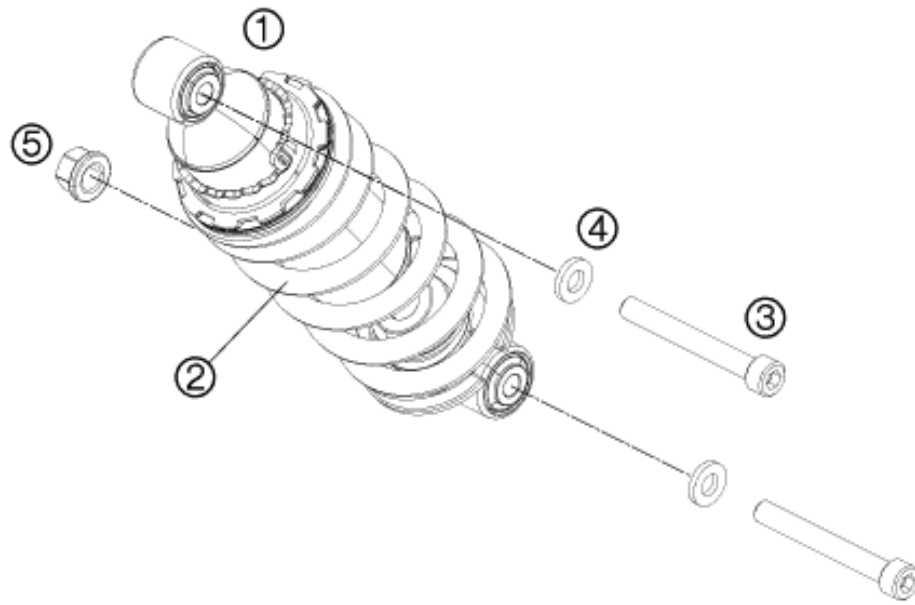
POS	PARTNUMBER	PARTNAME	PIECE
1	90103023000	SIDE STAND	1
2	90103026000	SIDE STAND BRACKET	1
3	90103027000	SCREW F. SIDE STAND	1
4	90103029000	MAGNET HOLDER	1
5	90103024000	SPRING FOR SIDE STAND	1
6	J011050133	HH COLLAR SCREW M5X13 SW8	2
7	J982101253	SELF L. NUT M10X1,25 H11 WS17	1
8	J012100253S	HH COLLAR SCREW M10X1X25 SS	2
9	90111045000	SIDE STAND SWITCH	1

119010360

C119010360

* NEW PART

X ON DEMAND



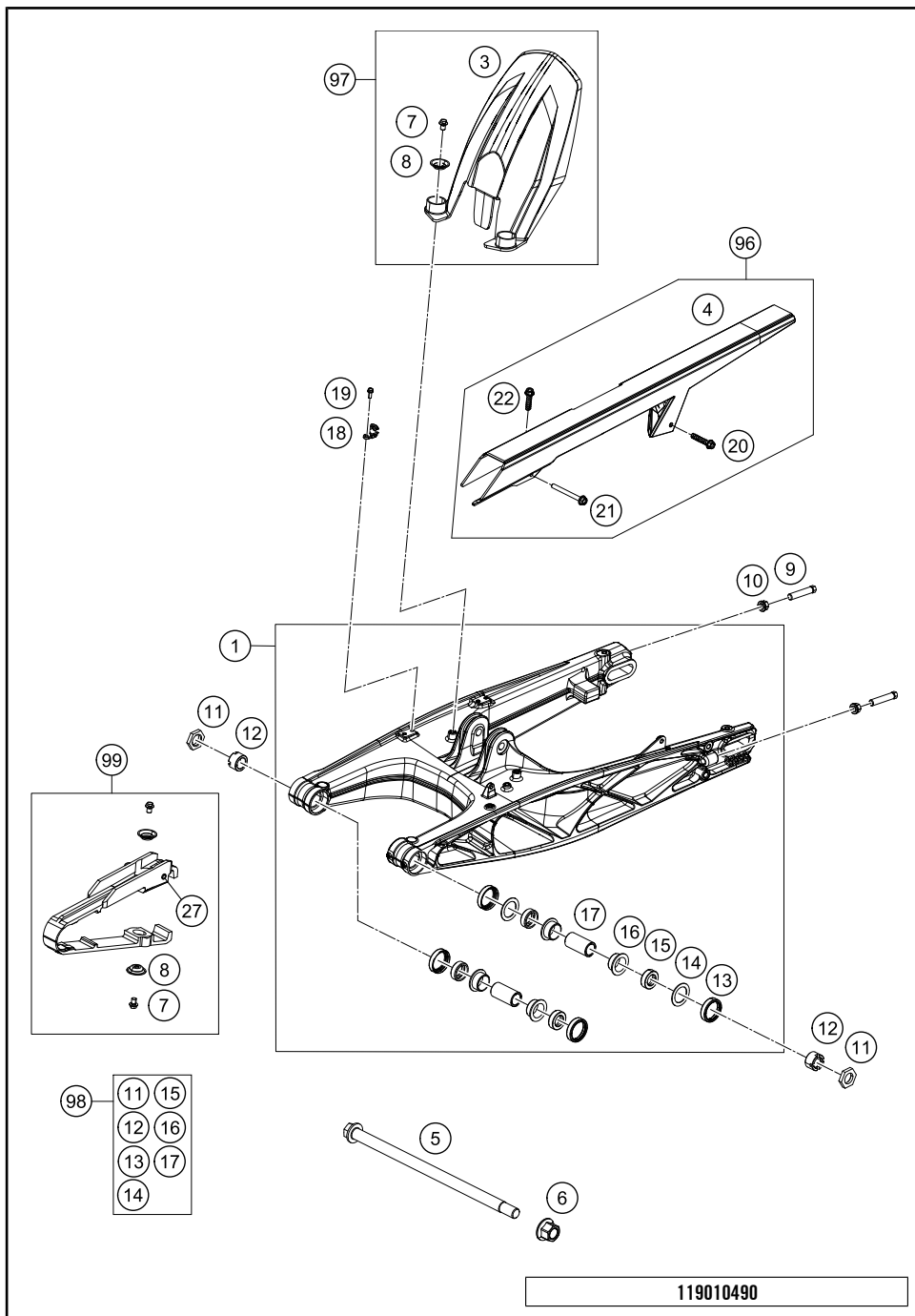
POS	PARTNUMBER	PARTNAME	PIECE
1	90104010033	MONOSHOCK CPL.	1
2	90104011000	SPRING MONOSHOCK	1
3	J020100806	AH SCREW M10x1,25X80 10.9	2
4	90104010003	PLAIN WASHER 10,2X20X3MM	2
5	90104010002	NUT FLANGED M10X1,25 WS13	1

119010410

C119010410

* NEW PART

X ON DEMAND

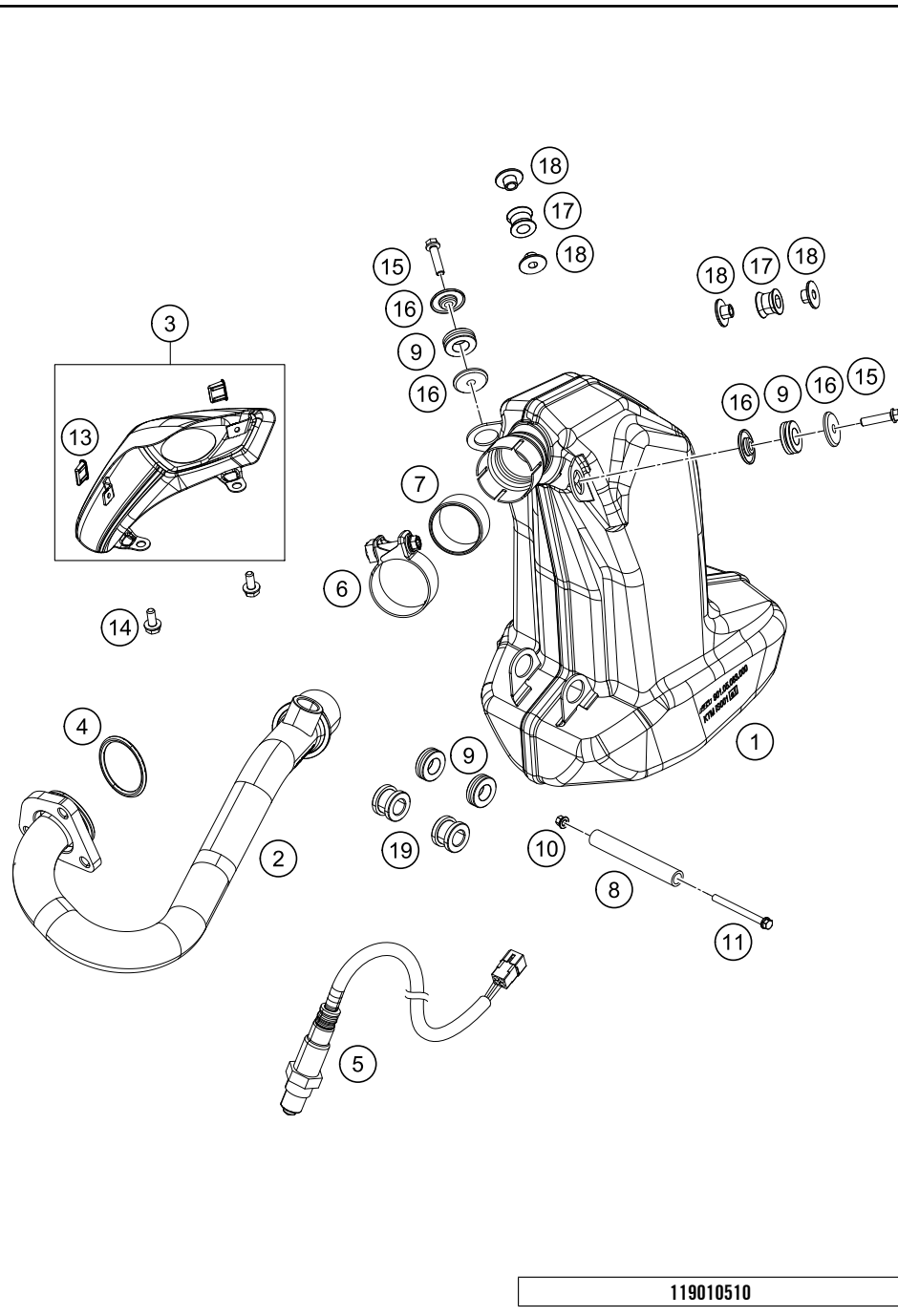


POS	PARTNUMBER	PARTNAME	PIECE
1	90504030044	SWING ARM CPL.	1
3	90104050000	SPLASH PROTECTOR	1
4	90104060000	CHAIN GUARD CPL.	1
5	90104037000	SWING ARM BOLT L=298MM	1
6	90104038000	FLANGED NUT M14X1,5	1
7	J025060083	HH COLLAR SCREW M6X8 SW8	4
8	90104067000	BUCKET	4
9	90104040000	BOLT HEX M10X1,25X50 WS10	2
10	90104010002	NUT FLANGED M10X1,25 WS13	2
11	90104042000	HEXAGONAL WASHER	2
12	90104046000	ADJUSTING RING SWING ARM	2
13	90104034001	OIL SEAL RING 25X32X7	4
14	90104036000	STOP DISK 22.2X31.7X1	2
15	90104034000	BUCKET FOR SHAFT SEAL RING	4
16	90104031000	IGUS SLIDE BEARING	4
17	90104032000	BUSHING SLEEVE 15.1X20X38	2
18	90113047000	BRAKE HOSE GUIDE	2
19	J011050133	HH COLLAR SCREW M5X13 SW8	2
20	90104060001	SELF TAPPING SCREW D=6	1
21	J025050503	HH COLLAR SCREW M5X50 WS8	1
22	0017060203	% EJOT PT SCREW K60X20 WS=6	1
27	90104070020	SLEEVE CHAIN GUARD	1
96	90104060110	CHAIN PROTECTION KIT DUKE	x
97	90106010010	SPLASH GUARD KIT 390 DUKE	x
98	90104230010	SWINGARM REP. KIT 11-15	x
99	90104066110	CHAIN GUARD KIT	x

119010490

C119010490

* NEW PART X ON DEMAND

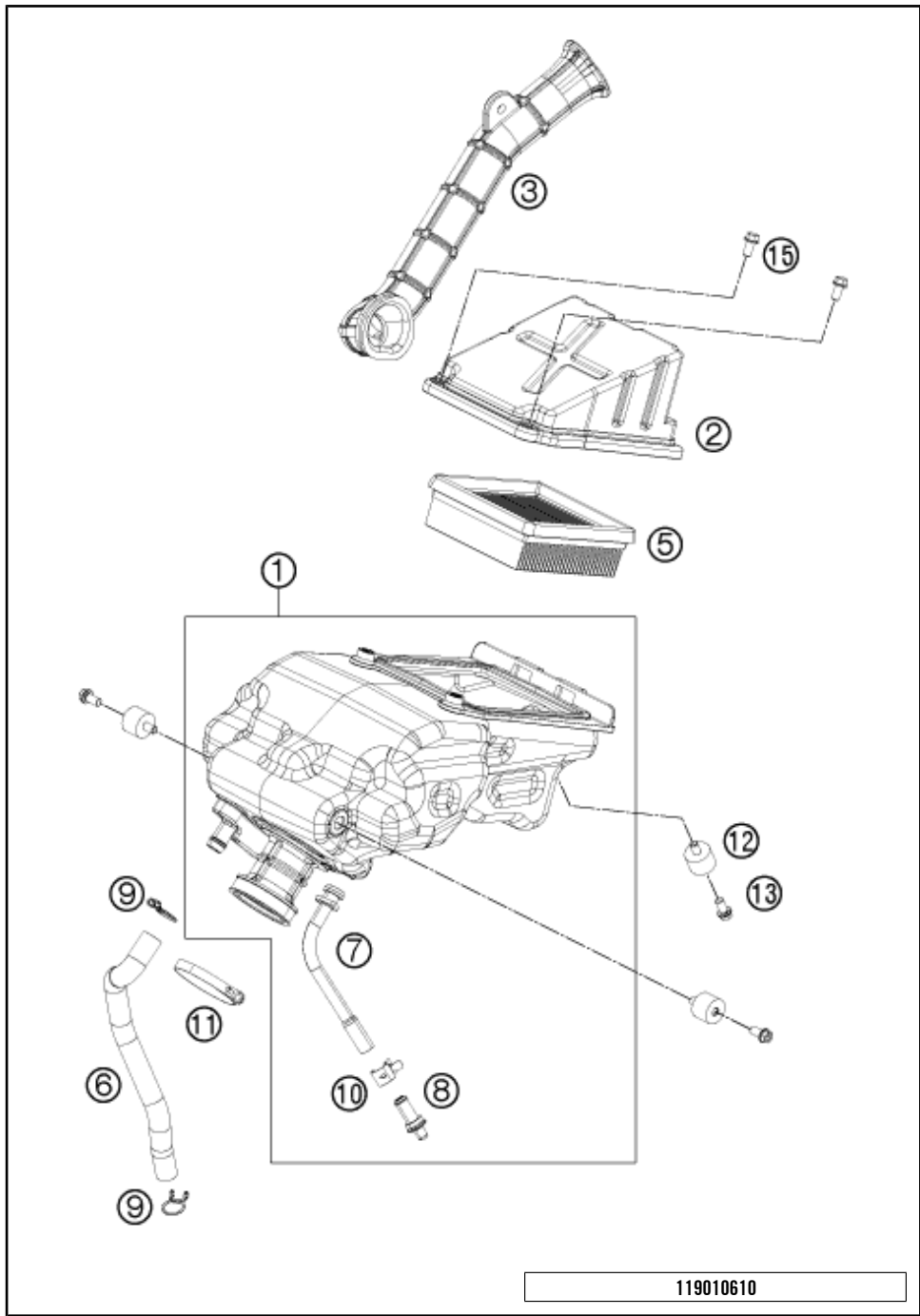


POS	PARTNUMBER	PARTNAME	PIECE
1	90105083000	SILENCER CPL.	1
2	90105007033	EXHAUST PIPE A CPL.	1
3	90105090033	HEAT SHIELD CPL.	1
4	90105004000	EXHAUST PIPE FLANGE GASKET	1
5	90141090000	LAMBDA SENSOR	1
6	90105051000	CLAMP CPL.	1
7	90105005000	SEAL RING EXHAUST PIPE A	1
8	90105084000	MOUNTING TUBE ED	1
9	90105068000	DAMPING ELEMENT ONLY FOR OLD SILENCER VERSION	4
10	90103038002	FLANGED NUT M10X1,25 WS14	1
11	J027081103	HH COLLAR SCREW M8X110 SW12	1
13	90105085000	RUBBER CAP	2
14	J025060146	HH COLLAR SCREW M6X14 SW10	2
15	J025060256	HH COLLAR SCREW M6X25 SW10	2
16	90105069000	COLLAR BUSHING ONLY FOR OLD SILENCER VERSION	4
17	90105068200	DAMPING ELEMENT UPPER ONLY FOR NEW SILENCER VERSION	2
18	90105069100	COLLAR BUSH ONLY FOR NEW SILENCER VERSION	4
19	90105068100	DAMPING ELEMENT LOWER ONLY FOR NEW SILENCER VERSION	2

119010510

C119010510

* NEW PART X ON DEMAND



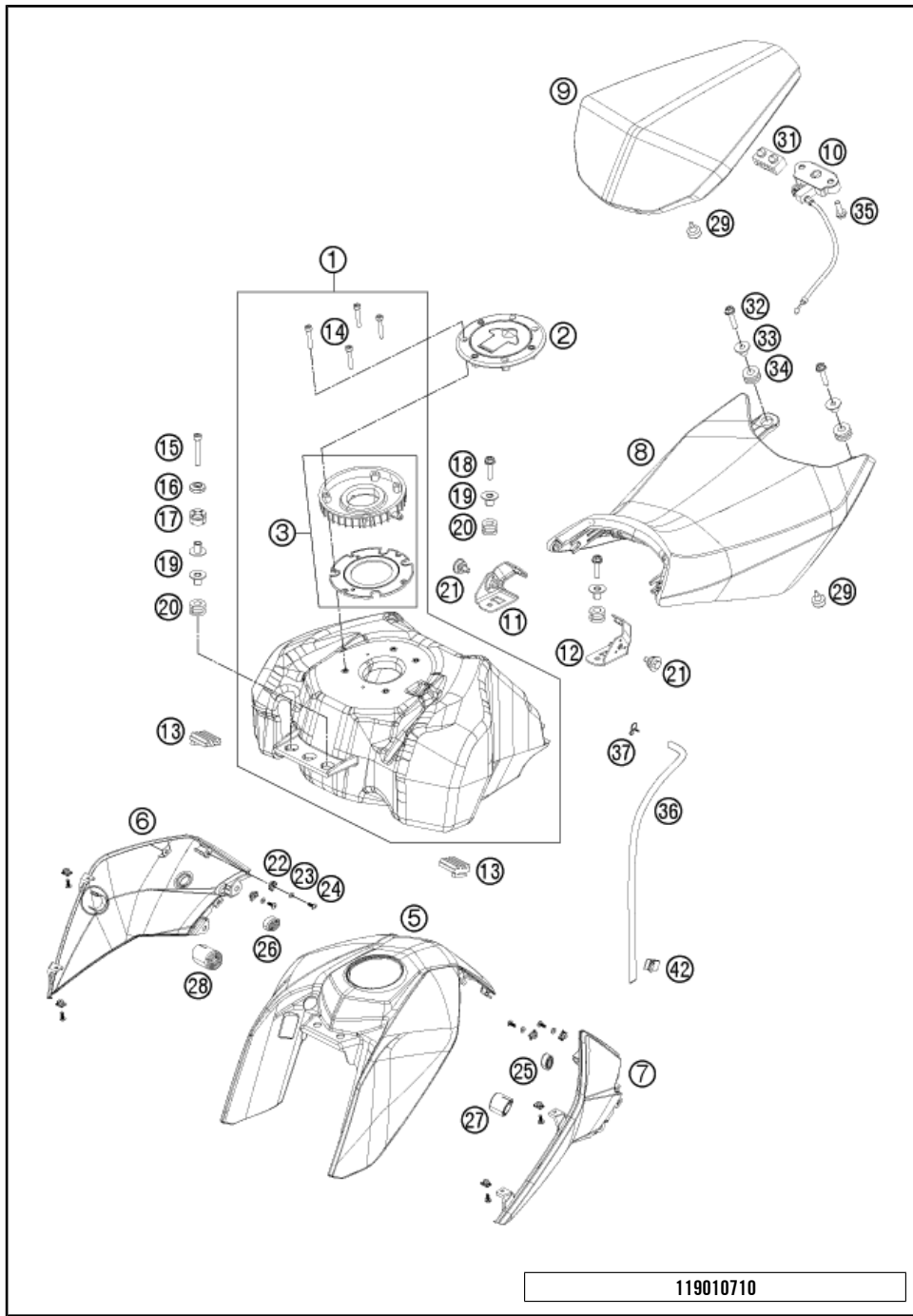
POS	PARTNUMBER	PARTNAME	PIECE
1	90106001144	AIR FILTER BOX CPL.	1
2	90106002000	AIRFILTER TOP PART CPL.	1
3	90106040000	AIR INTAKE	1
5	90106015000	AIRFILTER	1
6	90130087000	ENGINE BREATHER TUBE	1
7	90106000103	DRAINAGE HOSE	1
8	90106000001	PLUG DRAINAGE	1
9	90130087001	HOSE CLAMP	2
10	90106000004	HOSE CLAMP	1
11	90106027000	HOSE CLAMP	1
12	90135001001	RUBBER GROMMET	3
13	J025060086	HH COLLAR SCREW M6X8 SW10	3
15	J025060123	HH COLLAR SCREW M6X12 SW8	2

119010610

C119010610

* NEW PART

X ON DEMAND



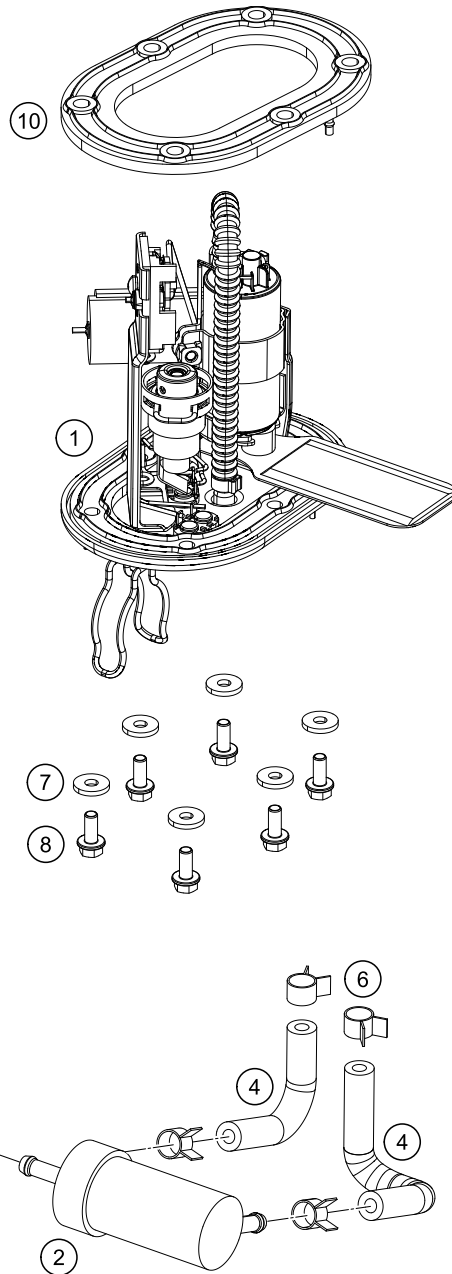
119010710

POS	PARTNUMBER	PARTNAME	PIECE
1	90107013044	FUELTANK CPL.	1
2	90107008000	TANK CAP	1
3	90107008044	% CUP CAP WITH GASKET	1
5	9010804900004	COVER FUEL TANK TOP ORANGE	1
6	9010805100047	COVER FUEL TANK R/S BLACK MAT	1
7	9010805000047	COVER FUEL TANK L/S BLACK MAT	1
8	90107040000	SEAT	1
9	90107047000	PASSENGER SEAT	1
10	90107050000	SEAT UNLOCK SOZIUS	1
11	90107040020	MOUNTING BRACKET R/S -SEAT	1
12	90107040010	MOUNTING BRACKET L/S -SEAT	1
13	90107013003	TANK REST RUBBER	2
14	J912050283	AH SCREW M5X28	4
15	J025060406	HH COLLAR SCREW M6X40 SW10	2
16	90108045000	SPECIAL WASHER F. M6 D=20MM	2
17	90107013004	GROMMET TOP COVER	2
18	J025060253	HH COLLAR SCREW M6X25 SW10	2
19	90107013005	SLEEVE TANK MOUNTING	6
20	90107013006	GROMMET TANK MOUNTING	4
21	90107040003	SPECIAL SCREW	2
22	90108050001	CLIP NUT M5	8
23	J125050001	SHIM PVC 5,3X11,5X1,5	4
24	J031050153	CHEESE-HEAD SCREW M5X15	8
25	90107070000	TANK RUBBER PAD SMALL L/S	1
26	90107071000	TANK RUBBER PAD SMALL R/S	1
27	90107072000	TANK RUBBER PAD LARGE L/S	1
28	90107073000	TANK RUBBER PAD LARGE R/S	1
29	90107046000	SEAT RUBBER	8
31	90107046050	SEATRUBBER REAR	1
32	90107040004	SPECIAL SCREW M6X25	2
33	90107040002	COLLAR BUSHING SEAT BRACKET	2
34	90107040001	RUBBER SLEEVE	2
35	J025060203	HH COLLAR SCREW M6X20 SW10	2
36	90107013007	TUBE DRAIN CUP CAP	1
37	90107013008	CLAMP	1
42	90107029000	BRACKET DRAIN TUBE CPL.	1

C119010710

* NEW PART

X ON DEMAND



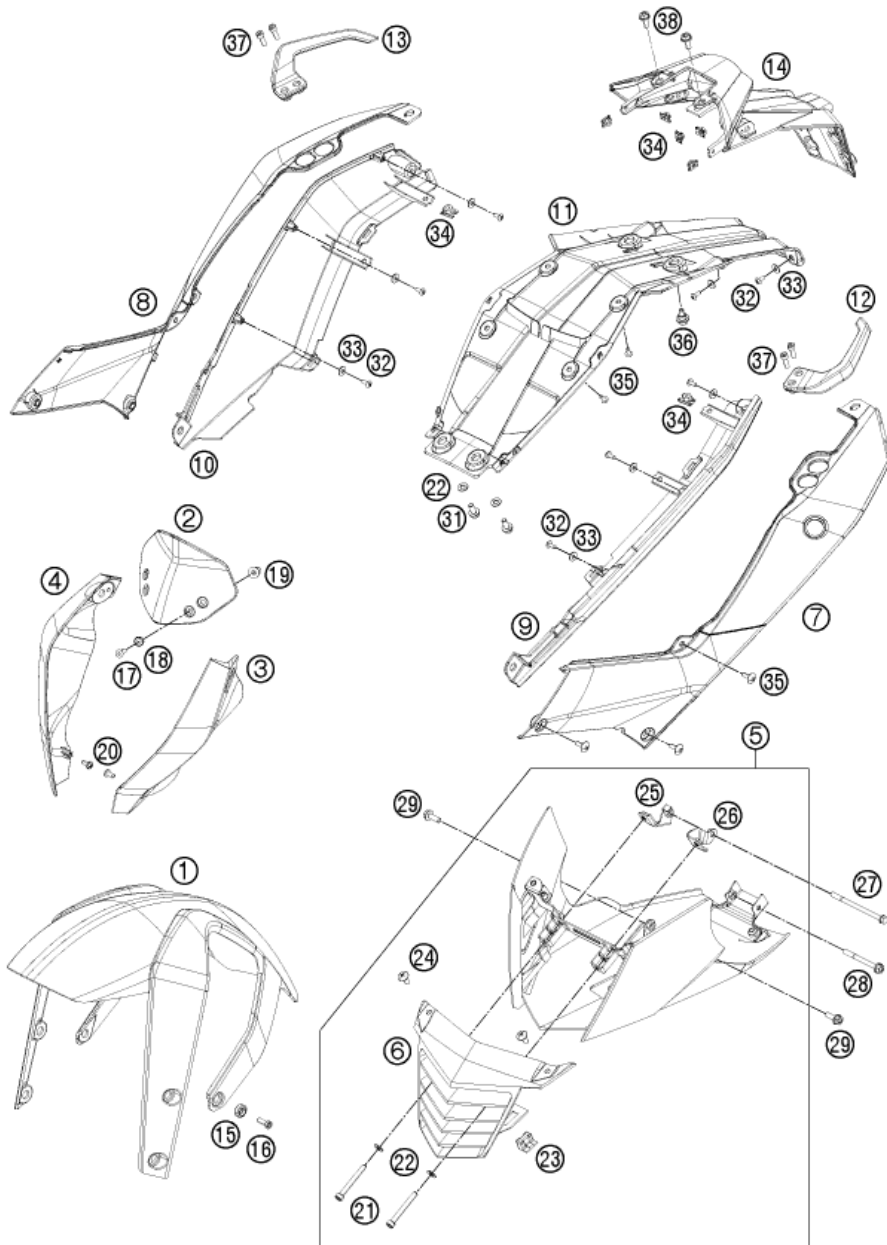
POS	PARTNUMBER	PARTNAME	PIECE
1	90107088000	FUEL PUMP	1
2	90107018000	FUEL FILTER	1
3	90107018010	FUEL HOSE R9	1
4	90107018020	FUEL HOSE	2
6	90107018011	CLAMP 10MM	6
7	90107088050	WASHER 5,2X14X2MM	6
8	J025050123	HH COLLAR SCREW M5X12 SW8	6
10	90107088002	GASKET F. FUEL PUMP	1

119010730

C119010730

* NEW PART

X ON DEMAND



POS	PARTNUMBER	PARTNAME	PIECE
1	9010801000033	FRONT FENDER BLACK	1
2	90108008000	WIND SHIELD	1
3	9010800200004	MASK SPOILER L/S ORANGE	1
4	9010800300004	MASK SPOILER R/S ORANGE	1
5	90108020044	FRONTSPOILER LOWER PART CPL.	1
6	90108021000	FRONT SPOILER TOP PART	1
7	9010804100004	SIDE COVER L/S TOP	1
8	9010804200004	SIDE COVER R/S TOP	1
9	90108043000	SIDE COVER BOTTOM L/S	1
10	90108044000	SIDE COVER BOTTOM R/S	1
11	90108015010	REAR END LOWER PART	1
12	90112008033	GRIP L/S CPL.	1
13	90112009033	GRIP R/S CPL.	1
14	90108015000	% NUMBER PLATE SUPPORT	1
15	90108010050	BUSHING FRONT FENDER	4
16	J912060163	AH SCREW M6X16	4
17	J019050201	AH SCREW M5X20	4
18	90108008050	WASHER FOR WINDSHIELD	4
19	90108008060	WELL NUT M5 L16	4
20	J081050121	SELF TAPPING SCREW K50X12 T20	2
21	J912060503	AH SCREW M6X50	2
22	J125060003	PLAIN WASHER 6,5X13X1	2
23	90108020001	GROMMET BELLY PAN	2
24	90108020050	SPECIAL SCREW BELLY PAN	2
25	90108025000	BRACKET R/S BELLY PAN	1
26	90108026000	BRACKET L/S BELLY PAN	1
27	J026060903	HH COLLAR SCREW M6X90	1
28	J025060603	HH COLLAR SCREW M6X60 SW10	1
29	J025060183	HH COLLAR SCREW M6X18 SW10	2
31	J025060143	HH COLLAR SCREW M6X14 SW8	2
32	J081040121	CROSS PAN SCREW 4X12 PH	10
33	J021040003	WASHER 4,5X12X1MM	10
34	90108050001	CLIP NUT M5	9
35	J031050163	CHEESE-HEAD SCREW M5X16	10
36	90108015050	SPECIAL SCREW M6X12,5 WS8	2
37	J020080273	AH SCREW M8X27	4
38	J025060149	HH COLLAR SCREW M6X14 WS10	2

119010810

C119010810

* NEW PART

X ON DEMAND

POS	PARTNUMBER	PARTNAME	PIECE
1	90108099000	DECALSET 125 DUKE 2011	1

①

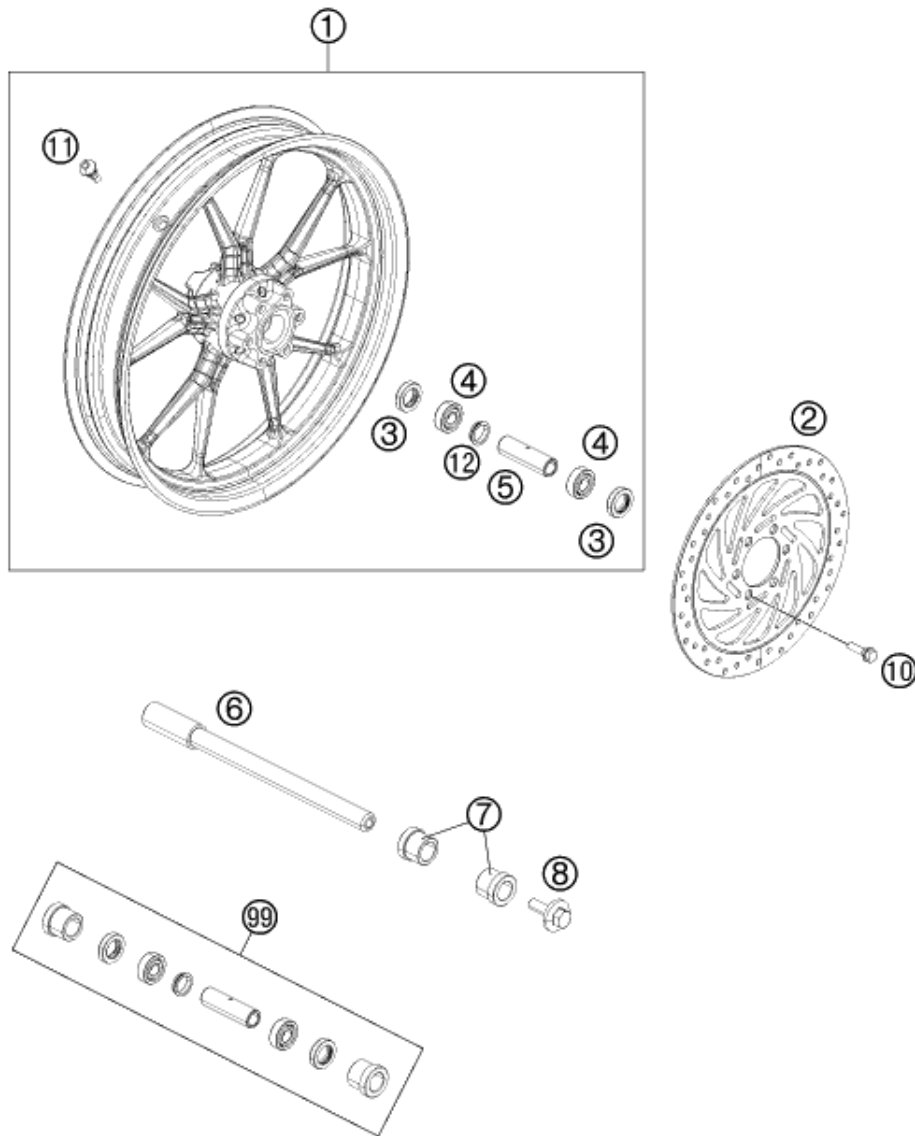


129010830

C119010830

* NEW PART

X ON DEMAND



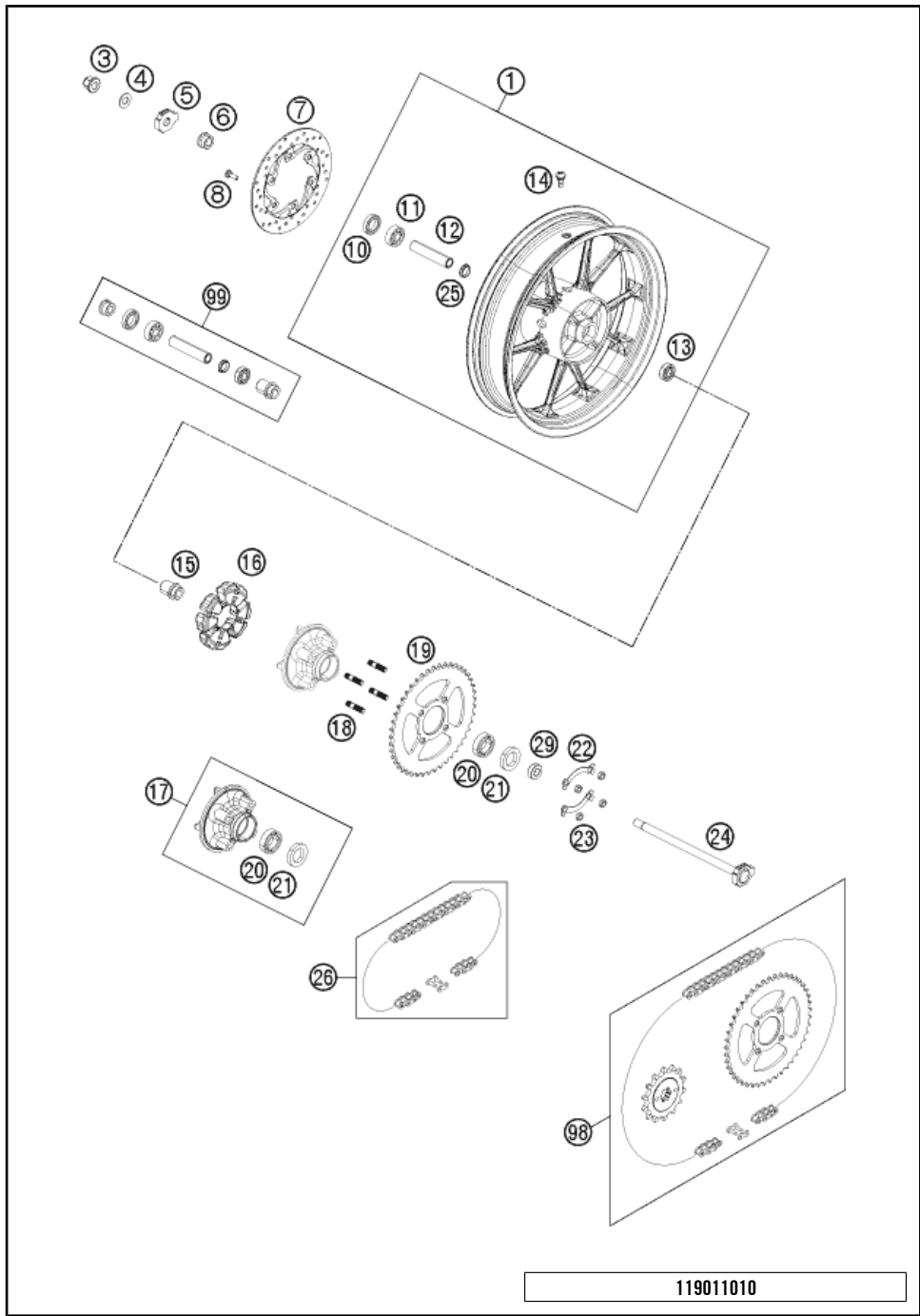
POS	PARTNUMBER	PARTNAME	PIECE
1	90109001044	FRONT WHEEL CPL.	1
2	90109060000	BRAKE DISC FRONT D=280MM	1
3	J760223508	SHAFT SEAL RING 22X35X8	2
4	J625062021	BALL BEARING 6202	2
5	90109011000	BEARING SPACER TUBE FRONT	1
6	90109081000	AXLE FRONT D=15MM	1
7	90109012000	SPACER BUSHING FRONT WHEEL	2
8	90109082000	AXLESCREW M8	1
10	90109062000	SPECIAL SCREW M8X30 SELF LOCK.	6
11	90109076000	VALVE CPL.	1
12	90109011001	FIXATION BEARING SPACER TUBE	1
99	90109015000	FRONT WHEEL REP. KIT	x

119010910

C119010910

* NEW PART

X ON DEMAND



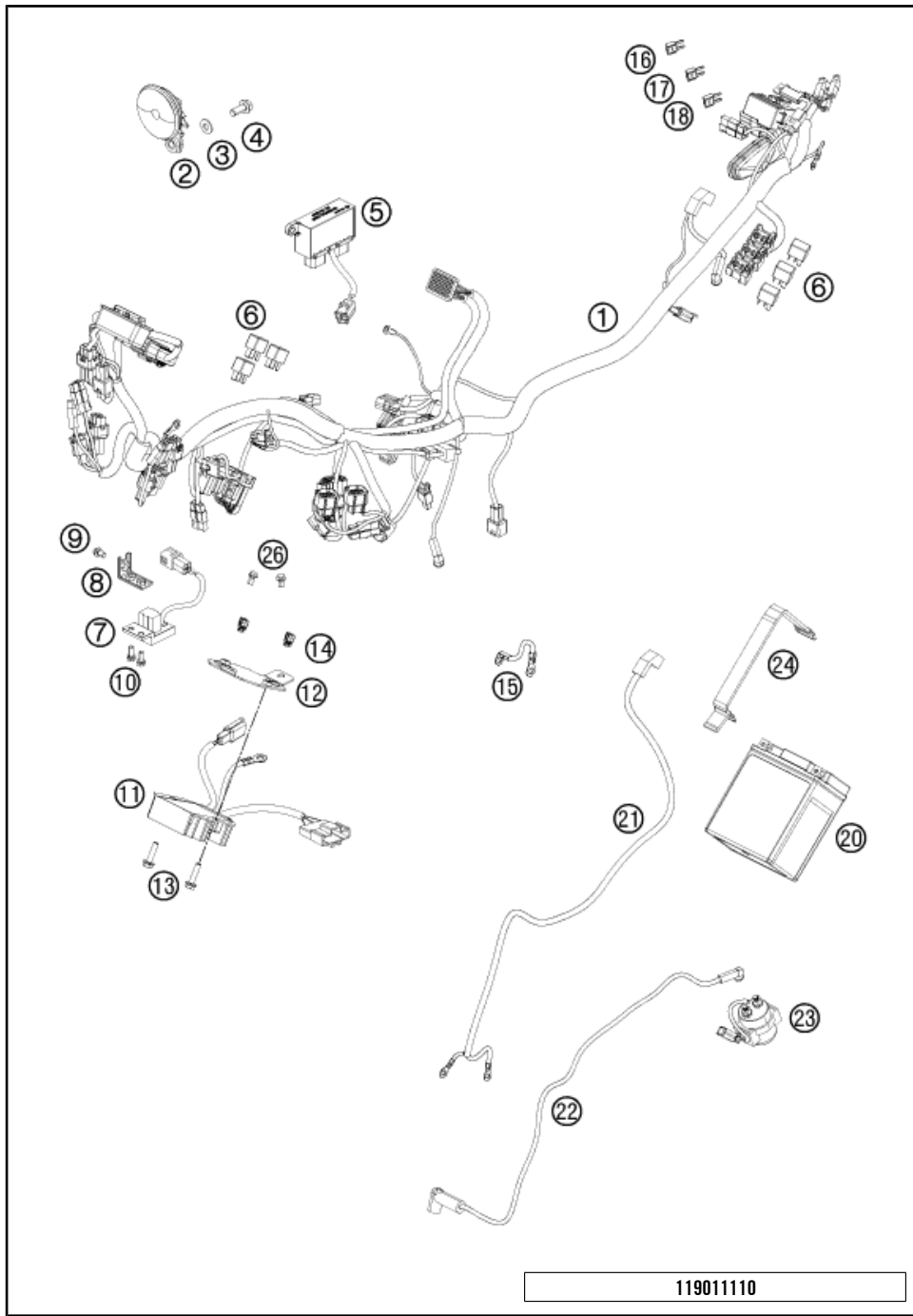
POS	PARTNUMBER	PARTNAME	PIECE
1	90110001044	% REAR WHEEL CPL. 4.00X17	1
3	90110086000	COLLAR NUT WHEEL SPINDLE REAR	1
4	90110087000	WASHER 15,2X30X2MM	1
5	90110084000	CHAIN TENSIONER R/S	1
6	90110013000	SPACER BUSHING REAR WHEEL R/S	1
7	90110060000	WAVE BRAKE DISC REAR	1
8	90110062000	SPECIAL SCREW M8X25 SELF LOCK.	6
10	J760264208	SHAFT SEAL RING 26X42X8	1
11	J625063020	BALL BEARING 6302	1
12	90110011000	BEARING SPACER TUBE REAR	1
13	J625062021	BALL BEARING 6202	1
14	90109076000	VALVE CPL.	1
15	90110054000	SPACER BUSHING KRT INSIDE	1
16	90110059000	DAMPING RUBBER	1
17	90110050000	SPROCKET SUPPORT	1
18	90110052050	STUD M10	4
19	90110051045	SPROCKET 45 T.	1
20	J625060050	BALL BEARING 6005 RS	1
21	J760304708	SHAFT SEAL RING 30X47X8	1
22	90110051002	TWIST LOCK WASHER	2
23	90110052000	FLANGED NUT M10X1,25 H6 WS14	4
24	90110085033	% AXLE REAR CPL.	1
25	90109011001	FIXATION BEARING SPACER TUBE	1
26	90110065112	CHAIN CPL. 112 LINKS	1
29	90110053000	SPACER CHAIN WHEEL SUPPORT	1
98	00050002017	DRIVETRAIN KIT 125 DUKE14T/45T	x
99	90110015000	REAR WHEEL REP. KIT	x

119011010

C119011010

* NEW PART

X ON DEMAND

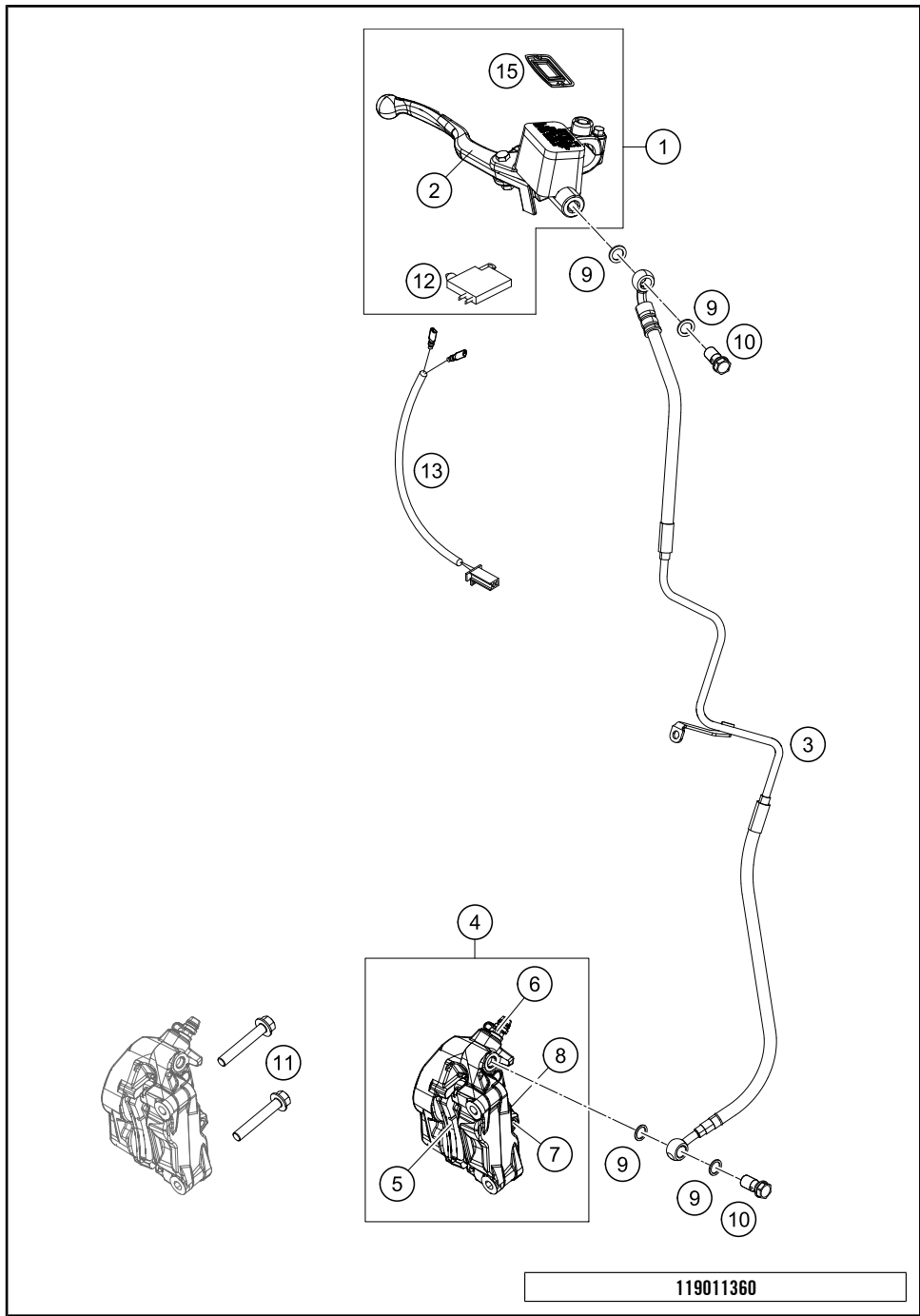


POS	PARTNUMBER	PARTNAME	PIECE
1	90111075000	WIRING HARNESS	1
2	90111060000	DC HORN	1
3	J125080003	WASHER 8,2X16X1,5	1
4	J025080203	HH COLLAR SCREW M8X20 SW12	1
5	90111035000	INTEGRAL UNIT	1
6	90111057000	RELAY	6
7	90141088000	ROLL OVER SENSOR	1
8	90141088050	BRACKET ROLL OVER SENSOR	1
9	J025060103	HH COLLAR SCREW M6X10 SW10	1
10	J011050133	HH COLLAR SCREW M5X13 SW8	2
11	90111034000	VOLTAGE REGULATOR	1
12	90111034010	BRACKET VOLTAGE REGULATOR	1
13	J025060253	HH COLLAR SCREW M6X25 SW10	2
14	90102091050	THROTTLE CABEL GUIDANCE	2
15	90111197000	GROUND CABLE	1
16	75011088010	FUSE 10A 07	1
17	75011088015	FUSE 15A 07	4
18	75011088030	FUSE 30A	1
20	90111053000	BATTERY	1
21	90111097000	GROUND CABLE	1
22	90111059000	STARTER CABLE	1
23	90111058000	STARTER RELAY	1
24	90111054000	BRACKET RUBBER FOR BATTERY	1
26	J025060109	HH-COLLAR SCREW M6X10 SW8	2

119011110

C119011110

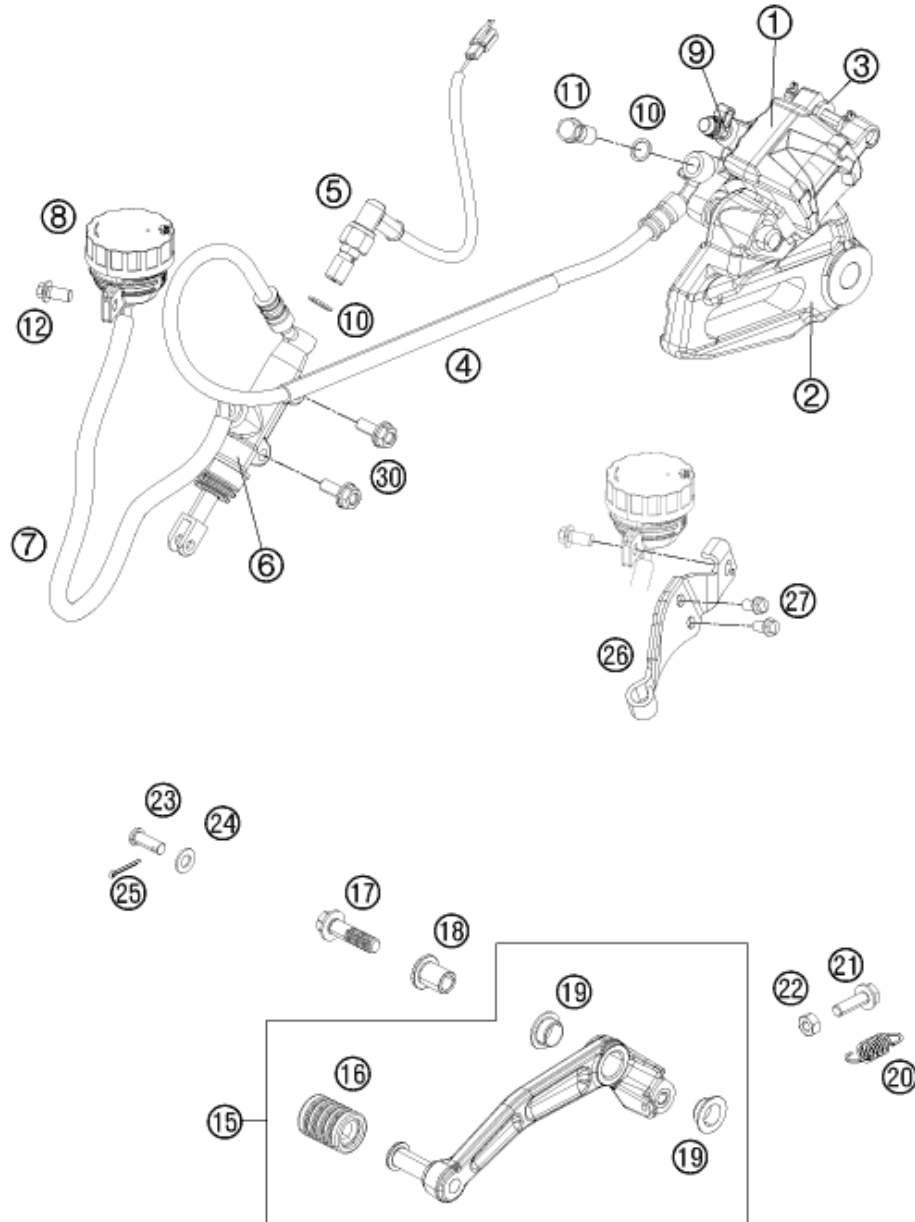
* NEW PART X ON DEMAND



POS	PARTNUMBER	PARTNAME	PIECE
1	90113001044	HAND BRAKE CYLINDER CPL.	1
2	90113002000	HAND BRAKE LEVER	1
3	90113012000	BRAKEHOSE FRONT	1
4	90113015000	BRAKE CALIPER RADIAL	1
5	90113030000	BRAKE PADS FRONT - SET	1
6	90113021000	BLEEDER SCREW	1
7	90113017000	BOLT F. BRAKE PADS	1
8	90113018000	SPRING CLIP	1
9	90113026000	COPPER GASKET	4
10	90113013000	BANJO SCREW	2
11	J01008050S	HH COLLAR SCREW M8X1X50 SW12SS	2
12	90111050000	BRAKE LIGHT SWITCH FRONT	1
13	90111050050	WIRE BRAKE LIGHT SWITCH FRONT	1
15	90113001007	MEMBRANE	1

* NEW PART

X ON DEMAND



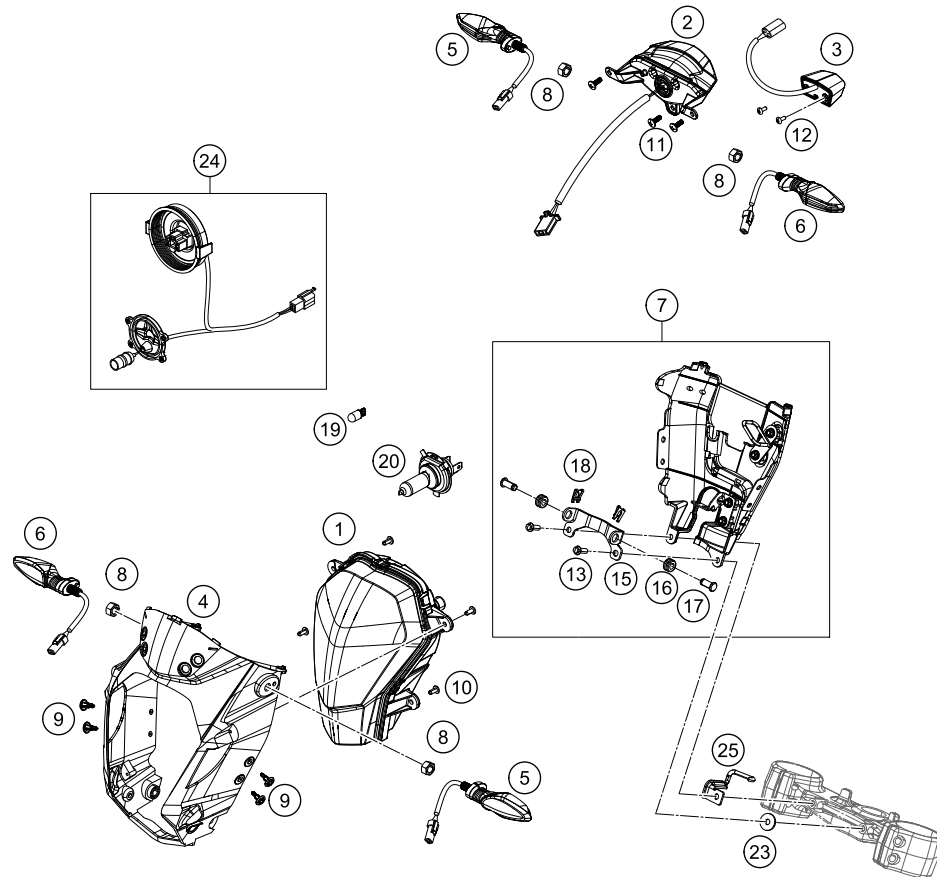
POS	PARTNUMBER	PARTNAME	PIECE
1	90113080000	BRAKE CALIPER REAR CPL.	1
2	90113075000	% BRAKE CALIPER SUPPORT REAR	1
3	90113090000	REAR BRAKE PADS - SET	1
4	90113072000	BRAKE HOSE REAR	1
5	90111051000	BRAKE LIGHT SWITCH REAR	1
6	90113060000	REAR BRAKE CYLINDER CPL.	1
7	90113069000	HOSE F. RESERVOIR	1
8	90113009000	BRAKE FLUID RESERVOIR CPL.	1
9	90113121000	BLEEDER SCREW	1
10	90113026000	COPPER GASKET	4
11	90113013000	BANJO SCREW	1
12	J025060123	HH COLLAR SCREW M6X12 SW8	1
15	90113050033	FOOT BRAKE LEVER CPL	1
16	90134035000	RUBBER	1
17	J025080303S	HH COLLAR SCREW M8X30 SS SW10	1
18	90134031003	SPACER SLEEVE	1
19	90134036000	IGUS BUSH BEARING	2
20	90113052000	SPRING FOOT BRAKE LEVER	1
21	J025060203	HH COLLAR SCREW M6X20 SW10	1
22	J934060003	HEXAGON NUT M6	1
23	90113057000	PIN	1
24	J125060003	PLAIN WASHER 6,5X13X1	1
25	J094020153	PIN 2X15MM	1
26	90113074000	RETAIN.PLATE EXPAN. RESERVOIR	1
27	J025050103	HH-COLLAR SCREW M5X10	2
30	J025060163	HH COLLAR SCREW M6X16 SW10	2

119011390

C119011390

* NEW PART

X ON DEMAND



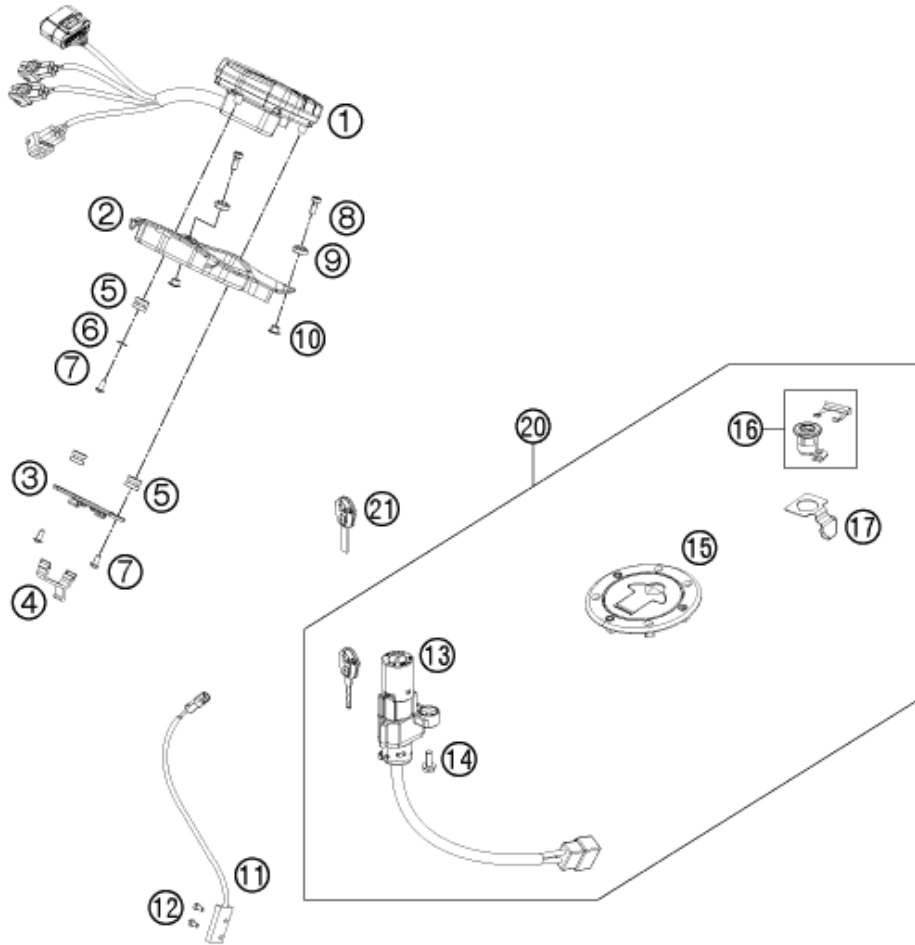
119011410

POS	PARTNUMBER	PARTNAME	PIECE
1	90114001000	% HEAD LIGHT CPL.	1
2	90114040000	REAR LIGHT LED	1
3	90114047000	LICENSE PLATE ILLUMINATION	1
4	90114062000	MASK BRACKET	1
5	90114025000	FLASHER CPL. RE. R/S	1
5	90114126000	FLASHER CPL. FR. L/S	1
6	90114026000	FLASHER CPL. RE. L/S	1
6	90114125000	FLASHER CPL. FR. R/S	1
7	90114064044	HEAD LIGHT COVER REAR CPL.	1
8	90114030000	HEX NUT M10X1,25	4
9	76503075100	EXPANDING RIVET CPL.	4
10	0081050121	SCREW FOR PLASTIC K50X12 T20	4
11	J031050153	CHEESE-HEAD SCREW M5X15	3
12	J081040121	CROSS PAN SCREW 4X12 PH	2
13	J025060163	HH COLLAR SCREW M6X16 SW10	2
15	90114064010	HINGE JOINT HEADL.-COVER	1
16	90114064011	GROMMET MASK CARR. PIVOT BKT	2
17	J070080150	SAFETY BOLT 8X1,5	2
18	90114064012	SEC. CLIP MASK CARR. PIVOT BKT	2
19	49011435100	BULB 12V 5W (W2,1X9,5D) PHIL.	1
20	57111038000	BULB H4 12V 60/55W (P43T)	1
23	J126061252	WASHER 6,5X2 MM	1
24	90111079000	HARNES F. HEADLAMP	1
25	90103001036	HOOK BRACKET ABS HOSE	1

C119011410

* NEW PART

X ON DEMAND



POS	PARTNUMBER	PARTNAME	PIECE
1	90114069000	SPEEDOMETER	1
2	90114060000	SPEEDOMETER SUPPORT	1
3	90114063000	BRACKET F. SPEEDOM.CONN.	1
4	90114063050	RUB. STRAP F. BKT SPEEDOM.CONN	1
5	90114060050	GROMMET DASHBOARD	3
6	90114064013	PLAIN WASHER	1
7	J081050121	SELF TAPPING SCREW K50X12 T20	3
8	J021060156	AH SCREW M6X15 10.9	2
9	90114060002	SPECIAL WASHER	2
10	90114060003	COLLAR BUSHING	2
11	90114068000	SPEEDOMETER SENSOR	1
12	90114068001	PAN CROSS SCREW M4	2
13	90111066000	IGNITION LOCK	1
14	J025060163	HH COLLAR SCREW M6X16 SW10	2
15	90107008000	TANK CAP	1
16	90107050050	SEAT LOCK	1
17	90107050051	BRACKET SEAT LOCK	1
20	90111066044	LOCK SET 3-PART	x
21	90111067100	BLANK KEY 125/200 DUKE	x

119011430

C119011430

* NEW PART

X ON DEMAND



OHNE ABBILDUNG
WITHOUT ILLUSTRATION



TECHNISCHE DOKUMENTATION
TECHNICAL DOCUMENTATION
DOCUMENTACION TECNICA
DOCUMENTATION TECHNIQUE
NOTE TECNICHE

119012000

POS	PARTNUMBER	PARTNAME	PIECE
0	58412080000	REFLECTOR RED	1
0	58412080050	BRACKET FOR REFLECTOR	1
0	40006006000	WASHER 6MM	2
0	0966050163	OVAL HEAD SCREW DIN0966-M 5X16	2
0	0125050003	WASHER DIN0125-A 5,3	2
0	0985050003	SELF LOCKING NUT DIN0985-M 5	2
0	0024060156	HH COLLAR SCREW M6X15 TX30	4
0	0985060003	SELF LOCK. NUT DIN0985-M 6	4
0	0021060003	WASHER DIN9021-A 6,4	4
0	312305	DOCUMENTS BAG 2006	1
0	3210040	CUSTOMER WELCOME LETTER	1
0	312313	KTM BALLPOINT PEN ORANGE	1
0	00063099111	BAG FOR INSTR. MANUAL 245X170	1
0	60012081200	LICENCE FITTING 06	1
0	90129099000	TOOL KIT	1
1	3211668EN	OWN. MANUAL 125 DUKE 2011	1

C119012000

* NEW PART

X ON DEMAND





WWW.KTM.COM

KTM

KTM Sportmotorcycle GmbH
5230 Mattighofen, Austria
www.ktm.com



KTM_POWERPARTS

KTM_POWERWEAR

KTM_ORIGINAL SPARE PARTS



3CF 8003K4EN

Art. Nr.: 3CF 8003K4EN 10. Mai 2016