

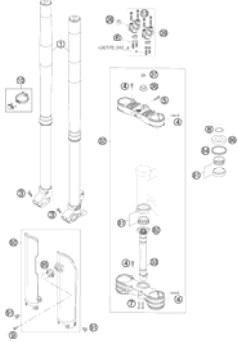
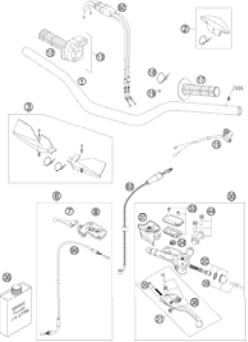
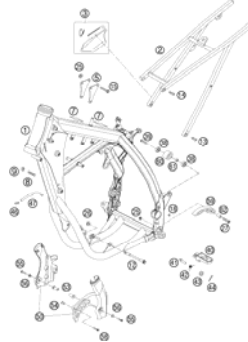
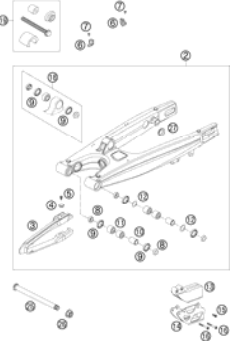
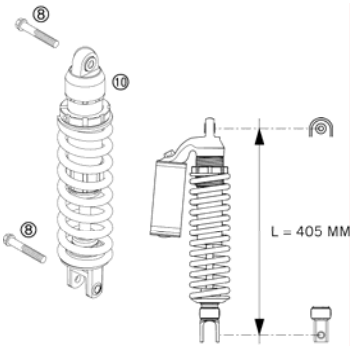
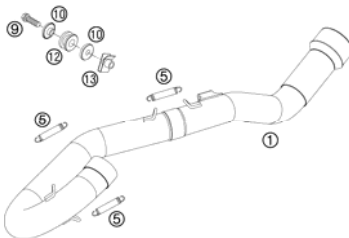
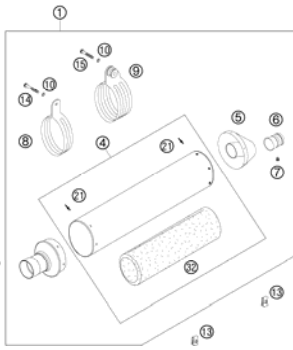
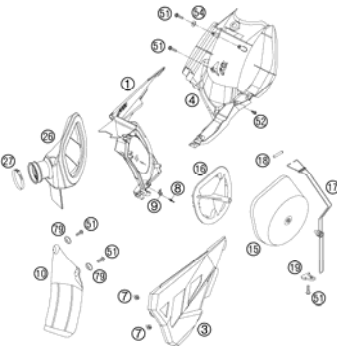
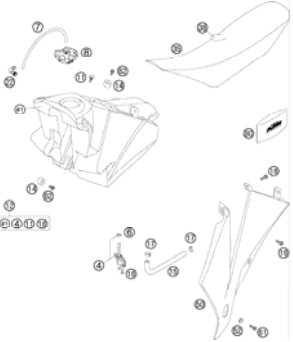

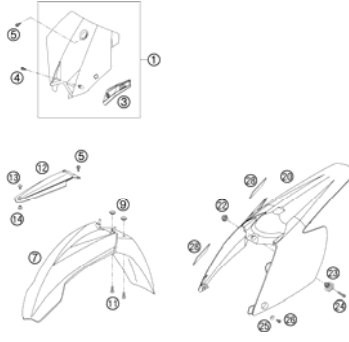
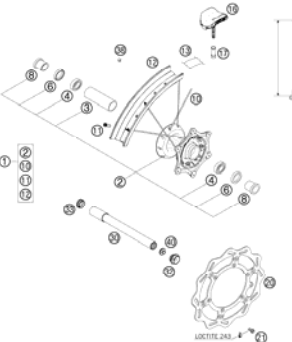
250 SXS-F 2006

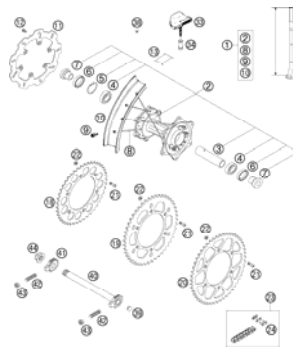
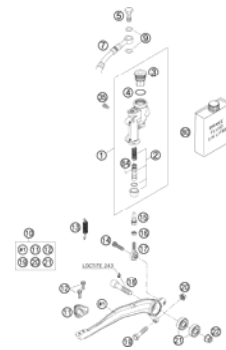
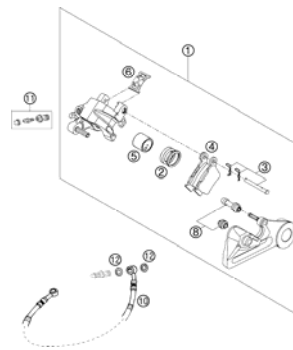
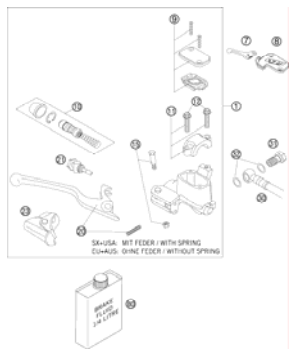
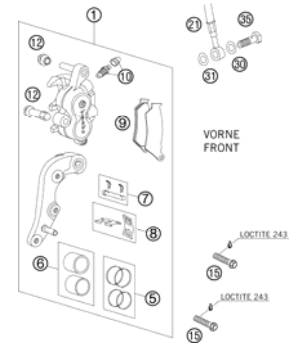
SPARE PARTS MANUAL: CHASSIS

ART.NO.: 3CF8100F9EN

ENGLISH



<p>FRONT FORK WP</p>  <p>3</p>	<p>HANDLEBAR, CONTROLS</p>  <p>4</p>	<p>FRAME, SUB FRAME</p>  <p>5</p>	<p>SWINGARM</p>  <p>6</p>
<p>SHOCK ABSORBER</p>  <p>7</p>	<p>MAINFOLD</p>  <p>8</p>	<p>EXHAUST SILENCER</p>  <p>9</p>	<p>AIR FILTER BOX</p>  <p>10</p>
<p>TANK, SEAT, COVER</p>  <p>11</p>	<p>DECAL</p>  <p>12</p>	<p>MASK, FENDERS</p>  <p>13</p>	<p>FRONT WHEEL</p>  <p>14</p>

<p>REAR WHEEL</p>  <p>15</p>	<p>REAR BRAKE CONTROL</p>  <p>16</p>	<p>BRAKE CALIPER REAR</p>  <p>17</p>	<p>HAND BRAKE CYLINDER</p>  <p>18</p>
<p>BRAKE CALIPER FRONT</p>  <p>19</p>	<div style="display: flex; align-items: center;"> <div style="background-color: #cccccc; padding: 20px; font-size: 48px; margin-right: 20px;">!</div> <div> <p>All information contained is without obligation. KTM-Sportmotorcycle AG particularly reserves the right to modify any equipment, technical specifications, prices, colors, shapes, materials, services, service work, constructions, equipment and the like so as to adapt them to local conditions or to cancel any of the above items, all without previous announcement and without giving reasons. KTM may stop manufacturing certain models without previous notice. KTM shall not be held liable for any deviations of availability and/or ability to deliver, illustrations, descriptions, printing and/or other errors. The illustrated models partly contain extra equipment, which is not applied to standard models. © 2004 by KTM-SPORTMOTORCYCLE AG, Mattighofen AUSTRIA; All rights reserved; Reprint, also in extracts, with written allowance of KTM-SPORTMOTORCYCLE AG, Mattighofen only.</p> </div> </div>		

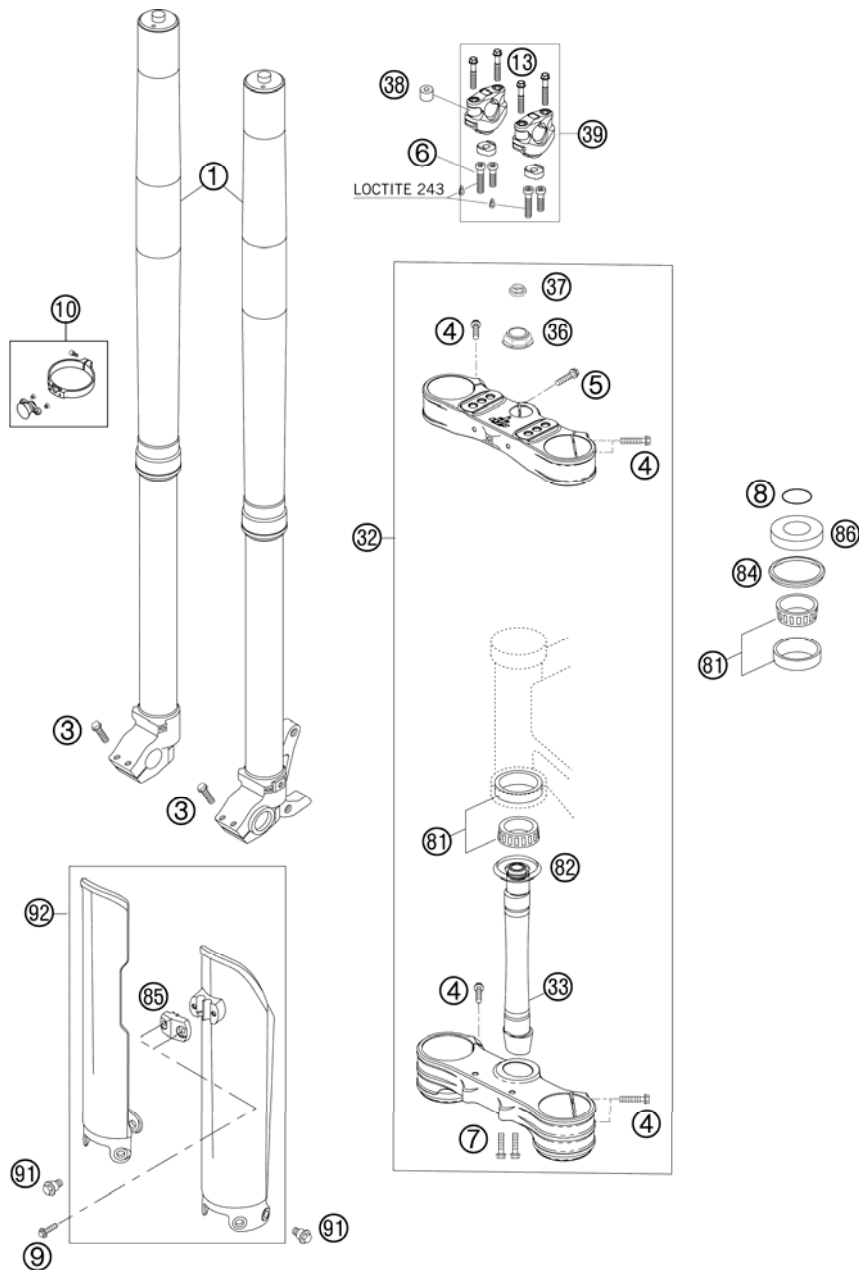


FIG	PART NUMBER	DESCRIPTION	QTY
1*	14187B15	SXS FORK 250	1
3	0015080253	HH COLLAR SCREW M 8X25 WS=10	4
4*	0015080303	HH COLLAR SCREW M 8X30 WS=10	8
5*	0015080253	HH COLLAR SCREW M 8X25 WS=10	x
6*	0912100250	AH SCREW DIN6912-M10X25,10.9,L	x
6	0912100356	AH SCREW DIN6912-M10X35 10.9	2
7*	0015080203	HH COLLAR SCREW M 8X20 WS=10	2
8	0770025035	O-RING 25X3,55 NBR70 05	1
9	0017060204	EJOT PT SCREW K60X20 ALU WS=6	2
10	SXS05540100	FACTORY START 05	1
13*	0015080453	HH COLLAR SCREW M 8X45 WS=10	4
32*	SXS06450400	FORK PLATE 17,5/20,5	1
33*	SXS06450403	FORK TUBE 06	1
36*	SXS06450404	NUT M20 06	1
37*	SXS06450405	SAFETY SCREW M20 2006	1
38*	SXS05125203	ELASTOMER GREEN/SOFT	4
38*	SXS05125204	ELASTOMER YELLOW/MEDIUM	x
38*	SXS05125205	ELASTOMER RED/HARD	x
39*	SXS07125200	HANDLEB.SUPP. PHDS	1
81*	54201081100	TAPERED ROLLER BEARING CPL. 06	2
82	54601084100	O-RING SUPPORT W. SEALING LIP	1
84	54601184000	STEERING HEAD GASKET TOP	1
85*	5900108510004	CLAMP F.SPEED.CABLE ORANGE 06	1
86	54201086000	STEERING HEAD COVER	1
91	59001092050	SPECIAL SCREW M6X12,5 WS=8	6
92*	5900109400004	FORK PROT. L/S +R/S ORG 02	1

06SXS0103 / C06SXS0103

* NEW PART

X AS REQUIRED

HANDLEBAR, CONTROLS

250 SXS-F 2006

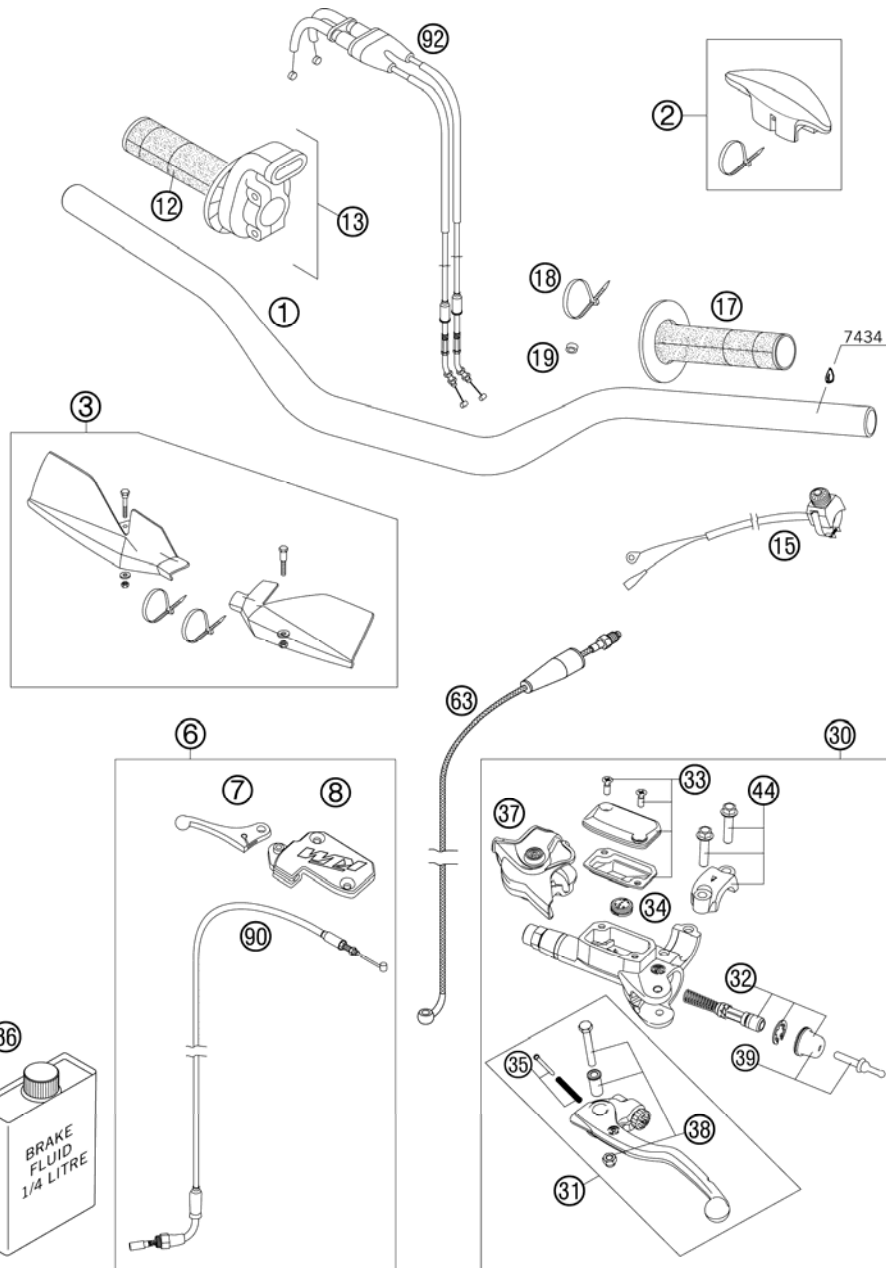


FIG	PART NUMBER	DESCRIPTION	QTY
1*	5480200110017	HANDLEBAR D=28MM HIGH 06	1
2	59002002000	HANDLEBAR PAD 05	x
3*	7700207900004	HAND GUARDS CPL.L/S+R/S OR. 06	1
6*	59002025100	CABLE FOR HOTSTART	1
7*	59002047100	HOT START LEVER CPL. 05	1
8*	SXS05450310	HANDBRAKE CYLINDER COVER	1
12	54802013000	TWIST GRIP COVER RENTAL 04	1
13	59402010000	THROTTLE GRIP CPL. RACING 2004	1
15	50311089200	SHORT CIRCUIT BUTTON 02	1
17	54802039000	FIXED GRIP RENTAL 04	1
18	44011076100	CABLE TIE 100/2,5MM BLACK	x
18	44011076200	CABLE TIE 200/3,6MM BLACK	x
19	50301089000	SPACER BUSHING 6X10X5	1
30*	54802030044	MASTER CYLINDER CPL. 06	1
31*	54802031000	CLUTCH LEVER CPL. BREMBO 06	1
32*	54802032000	REP. KIT PISTON 06	1
33*	54802003000	COVER HYD. CLUTCH CPL.	1
34*	54802051000	VALVE	1
35*	54802052000	BOLT KPL.	1
36	306054	BRAKE FLUID DOT 5.1	1
37*	54802037000	PROTECTION CAP 06	1
38*	54802038100	LEVER SCREW CPL. 06	1
39*	54802046000	PUSH ROAD CPL.	1
44*	54802005100	CLAMP CPL. 06	2
63*	54832063000	CLUTCH PIPE 06	1
90*	59002025150	CABLE FOR HOTSTART	1
92	77002091000	THROTTLE CABLE 250 SXF 2005	1

06SXS0203 / C06SXS0203

* NEW PART

X AS REQUIRED

FRAME, SUB FRAME

250 SXS-F 2006

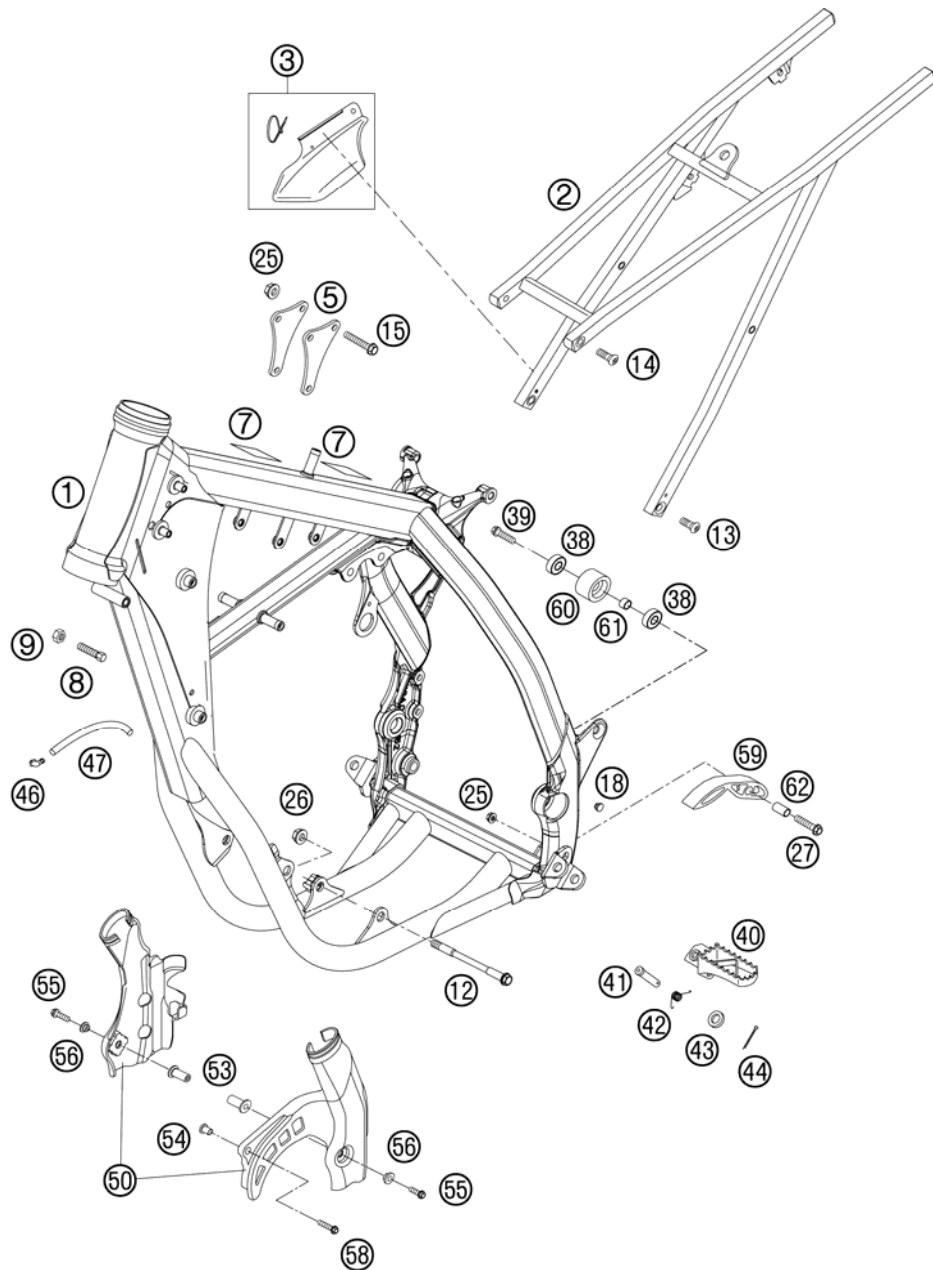


FIG	PART NUMBER	DESCRIPTION	QTY
1*	SXS06254550	FRAME 250 SXS-F "DK06" 06	1
2	59403002244	SUB FRAME CPL. SX RAC. "G5" 05	1
3*	SXS05450515	HEAT PROTECTOR CARBON	1
5	77003013000	REINFORCING B. R/S 250 SXF 05	2
7	50307012000	ADH. FOIL TRANSP. 80X80 MM 04	2
8	59001037000	SPECIAL SCREW M8X26 WS=10	2
9	0934080003	HEXAGON NUT DIN0934-M 8	2
12	54603013000	ENGINE BRAC.SCR. M10X105 WS=13	2
13	54610052000	SPROCKET SCREW-AH M8X20 WS=6	2
14	54510052100	SPROCKET SCREW-AH M8X26 WS=6	2
15	56530079000	COLLAR SCREW M8X42 WS=13 10.9	3
18	54403135000	PLASTIC CAP SFL10	1
25	54310086200	SELF LOCKING NUT M8 10.9	4
26	54310086100	SELF LOCKING NUT M10 CU WS=14	2
27	0015080353	HH COLLAR SCREW M 8X35 WS=10	1
38	0625006087	GROOVED BALL BEAR. 608 2RS C3	2
39	0015080303	HH COLLAR SCREW M 8X30 WS=10	1
40	59003040250	FOOT PED L/S SILVER 02	1
40	59003041250	FOOT PED R/S SILVER 02	1
41	54803044000	BOLT FOR FOOT PED 03	2
42	54603041000	FOOTREST SPRING L/S & R/S	2
43	0125100003	WASHER DIN0125-A10,5	2
44	0094032253	PIN DIN0094-3,2X25 STEEL	2
46	50303089000	ANGEL PIECE '97	2
47	55007016001	PVC-HOSE 7X10 PER METER	x
50	54803094100	FRAME PROTECTION SET 05	1
53	54803092050	BLIND PLUG-IN NUT M5 WN 22A 03	2
54	59030060150	BUSHING F. SPROCKET COVER RAC.	1
55	0014050253	HH COLLAR SCREW M 5X25 WS=6	2
56	54803092060	BUSH F. FRAME PROTECTION 03	2
58	0015060353	HH COLLAR SCREW M 6X35 WS=8	1
59	51103053000	CHAIN SLIDING PIECE BELOW '97	1
60	50203053000	CHAIN ROLL D=30MM	1
61	74003021000	BUSHING 8.2 X 12 X 6	1
62	51103053051	BUSHING 8,2X10X20	1

06SXS0300 / C06SXS0303

* NEW PART

X AS REQUIRED

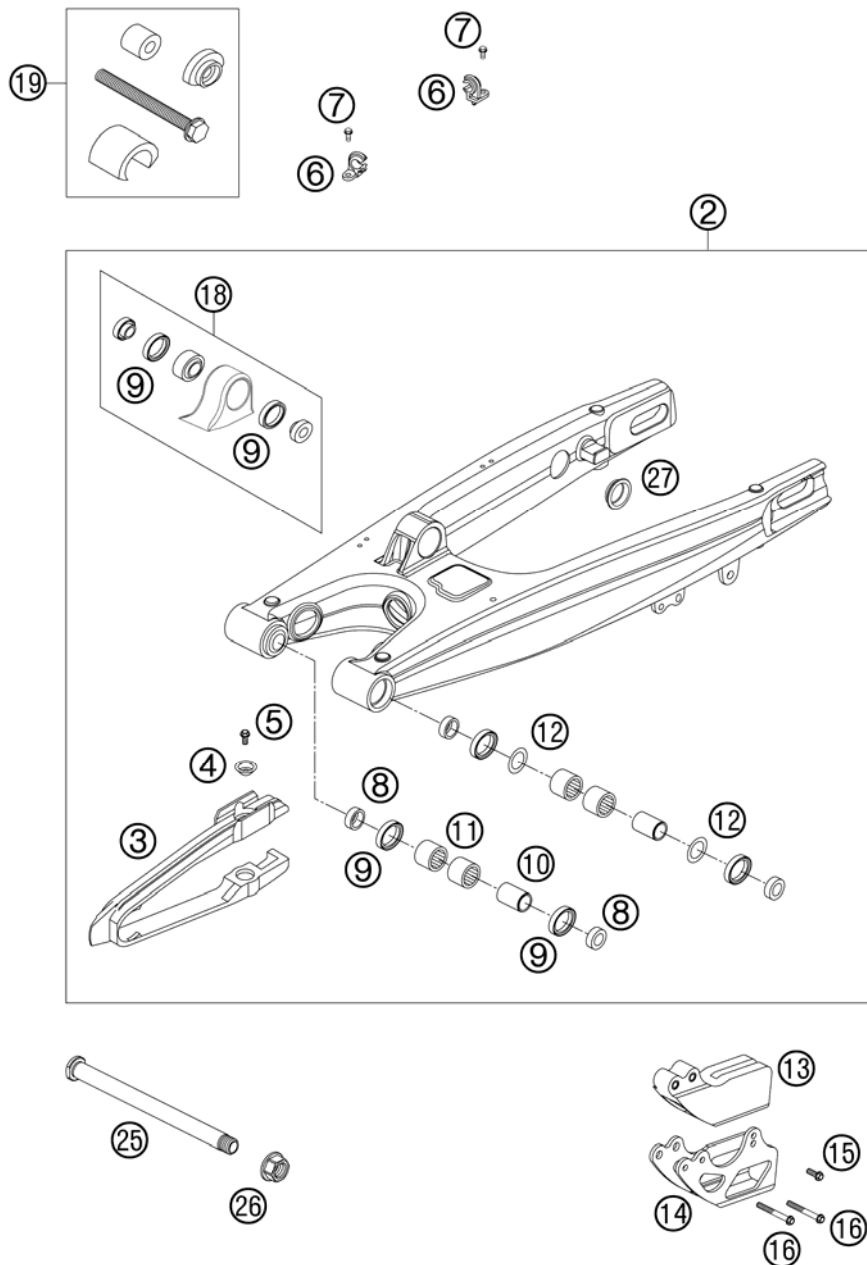


FIG	PART NUMBER	DESCRIPTION	QTY
2	54804230244	SWINGARM CPL. 2005	1
3	50304066100	CHAIN GUARD 05	1
4	72210079000	BUCKET	2
5	0015060103	HH COLLAR SCREW M 6X10 WS=8	2
6	54611076100	RETAIN.CLAMP FOR BRAKE HOSE'96	2
7	0009050103	SPECIAL SCREW M 5,0X10	x
8	54804034000	BUCKET F. SHAFT SEAL RING 03	4
9	0760253270	SHAFT SEAL RING 25X32X7	6
10	54804032000	BUSHING SLEEVE F. SWING ARM 03	2
11	58033097000	NEEDLE BEARING HK 2216	4
12	54603036000	STOP DISK 22,2X31,7X1	2
13	54607066100	CHAIN GUIDE REAR '94	1
14	54607070144	RETAINING PLATE CPL.	1
15	0015060163	HH COLLAR SCREW M 6X16 WS=8	1
16	0015060503	HH COLLAR SCREW M 6X50 WS=8	2
18	50304090044	PIVOT BEARING+BUSHES PDS '99	1
19	50329000044	TOOL BEARING MOUNTING PDS	1
25*	77304037000	SWINGARM BOLT M16X1,5 07	1
26	54804038000	SELF LOCK.NUT M16X1,5 WS=19 03	1
27	58404041100	CLOSING COVER ROUND 03	5

06SXS0400 / C06SXS0400

* NEW PART

X AS REQUIRED

SHOCK ABSORBER

250 SXS-F 2006

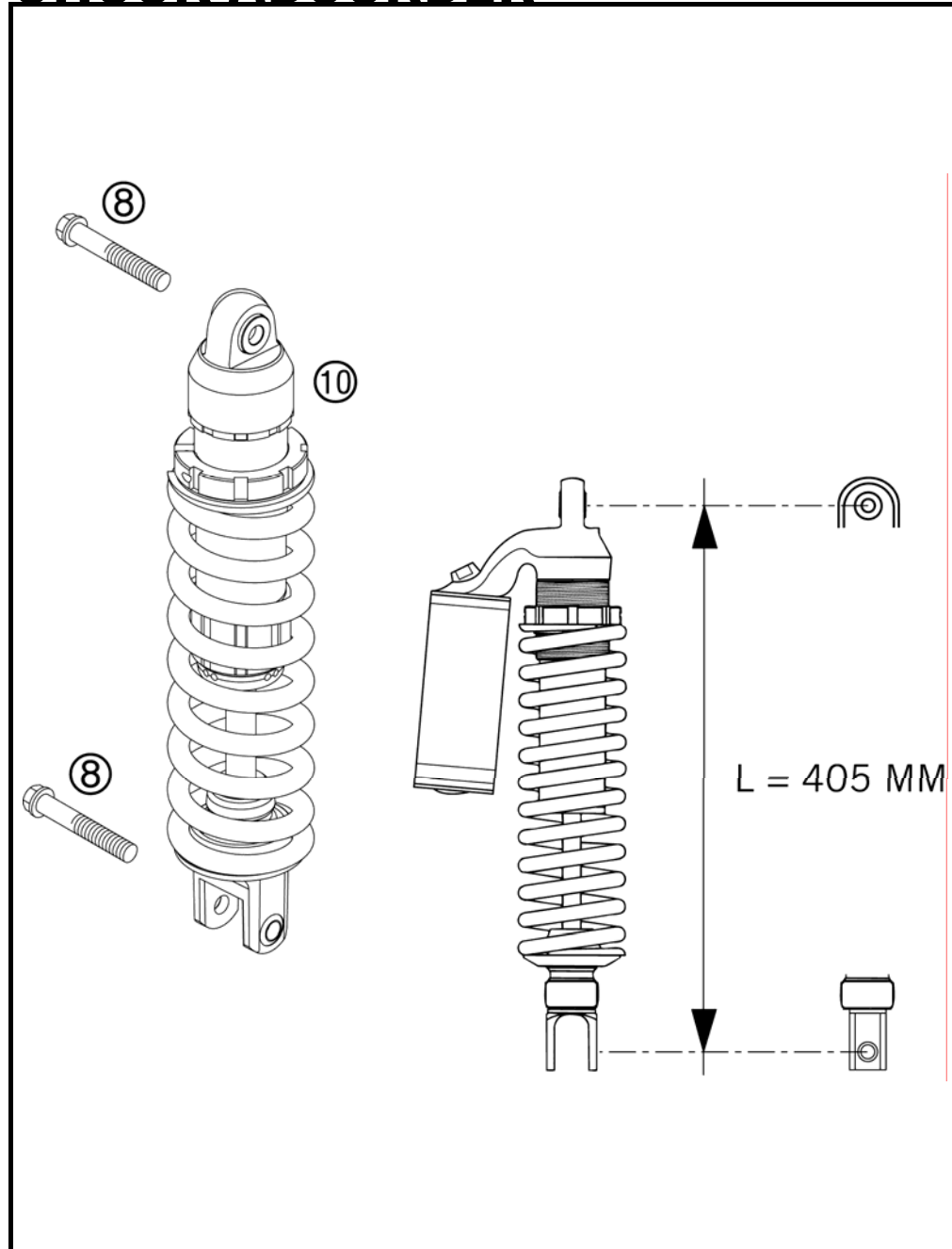


FIG	PART NUMBER	DESCRIPTION	QTY
8*	0015120556S	HH COLLAR M12X55 WS=13 06	2
10*	12187B11	MONOSHOCK 250 SXS 2006	1

05503040 / C06SXS0403

* NEW PART

X AS REQUIRED



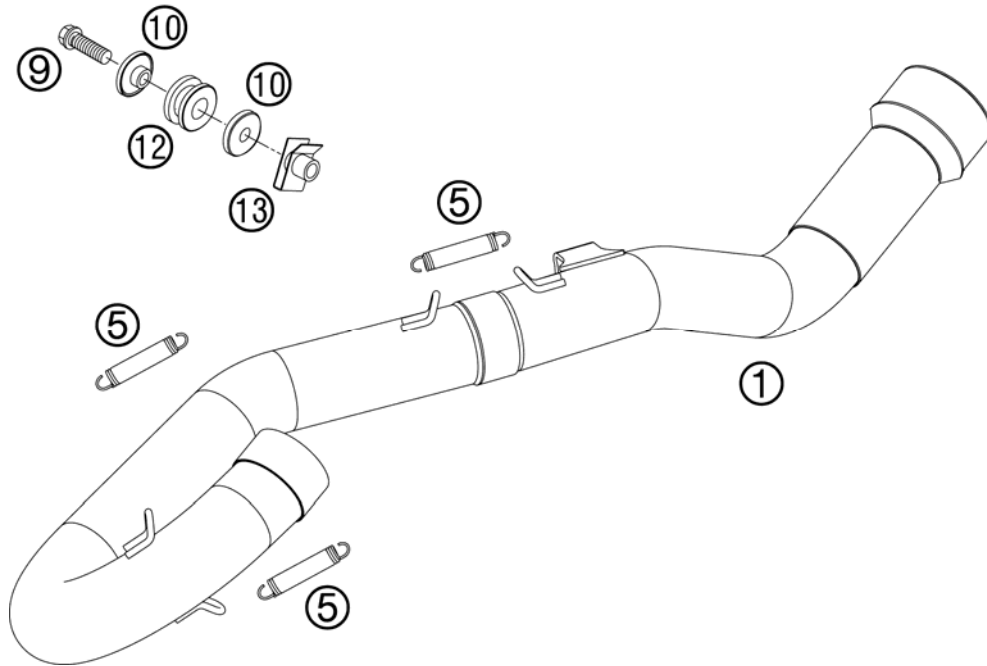


FIG	PART NUMBER	DESCRIPTION	QTY
1*	SXS06250500	EXHAUST PIPE TITAN SXS 06	1
5*	57305016100	EXHAUST-SPRING SMALL W. RUBBER	3
9	0015080253	HH COLLAR SCREW M 8X25 WS=10	1
10	59405069000	BUSHING FOR EXHAUST SUPPORT 03	2
12	54605068000	EXHAUST BRACKET RUBBER BLACK	1
13	54603048000	RANGE CHANGE METAL NUT M8	1

06SXS0505 / C06SXS0505

* NEW PART

X AS REQUIRED

EXHAUST SILENCER

250 SXS-F 2006

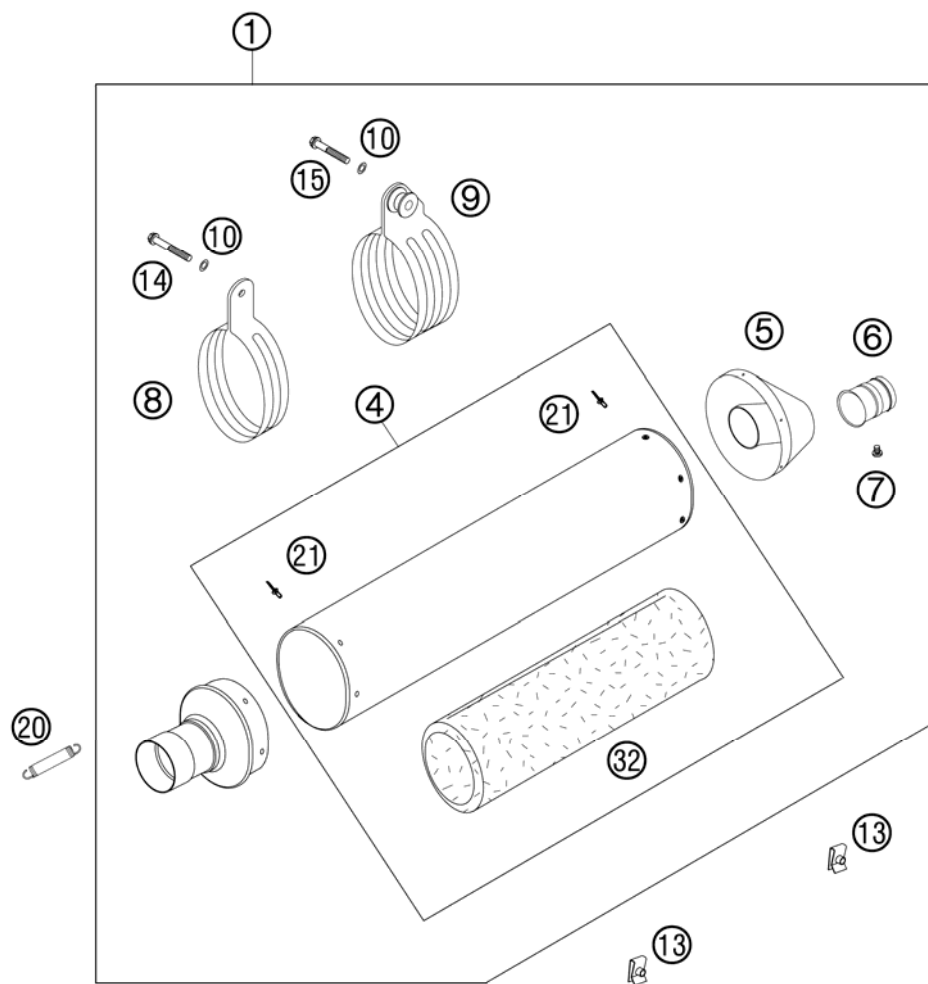


FIG	PART NUMBER	DESCRIPTION	QTY
1*	SXS06250502	MAIN SILENCER TITAN 06	1
4*	SXS06250507	REPAIR-KIT	1
5*	SXS06250504	ENDCAP	1
6*	SXS06250508	NOISE REDUCTION APPLICATION	1
7*	0902060083	AH OVAL SCREW ISO 7380 M 6X8	1
8*	SXS02540503	CLAMP FRONT	1
9*	SXS04540504	CLAMP BACK	1
10	0137060003	SPRING WASHER DIN0137-B 6	2
13	54603048100	RANGE CHANGE METAL NUT M6	2
14*	0015060203	HH COLLAR SCREW M 6X20 WS=8	1
15*	0015060403	HH COLLAR SCREW M 6X40 WS=8	1
20*	57305016100	EXHAUST-SPRING SMALL W. RUBBER	1
21*	0011480800	DUMMY RIVET 4,8X 8 NIRO	12
32*	SXS06250505	STUFFING YARN-KIT	1

06SXS0506 / C06SXS0506

* NEW PART

X AS REQUIRED

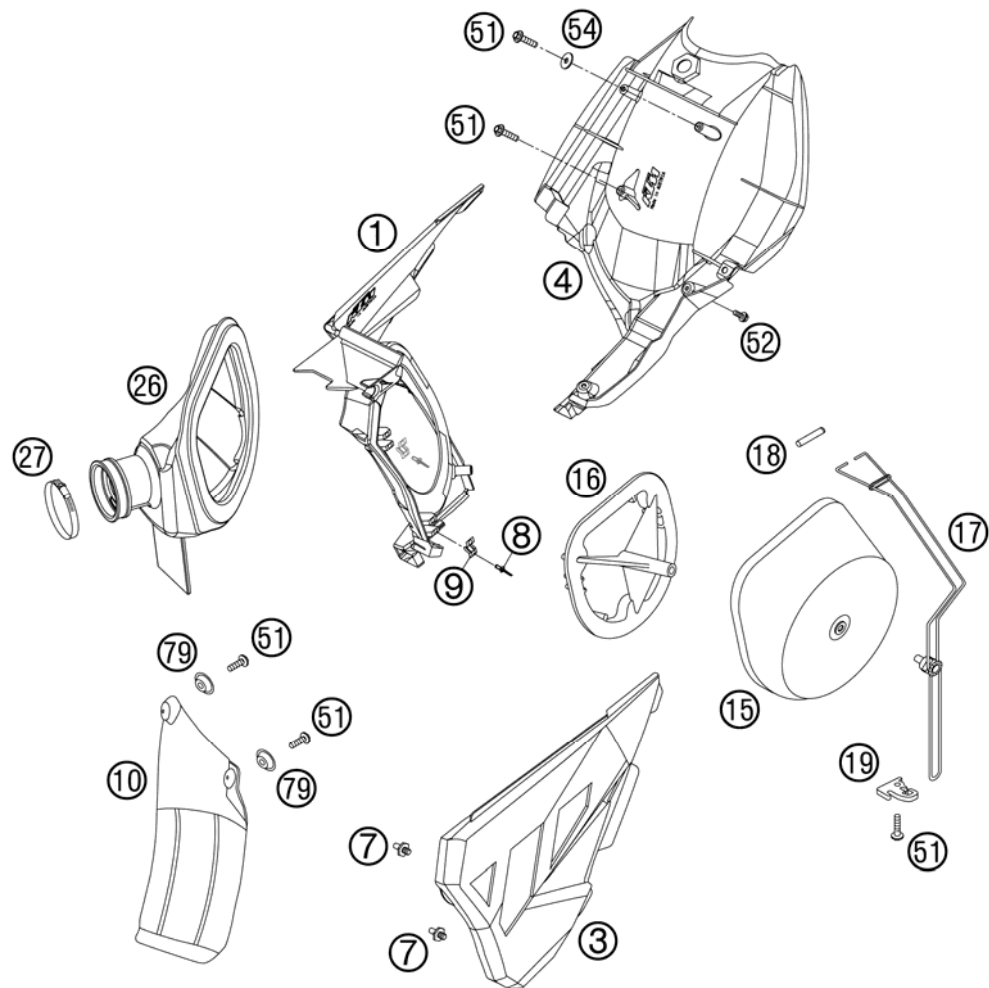


FIG	PART NUMBER	DESCRIPTION	QTY
1	54806001051	FILTER WALL 03	1
3*	59206003600	FILTER BOX COVER SXS	1
4	54806001052	REAR PART FILTER BOX 03	1
7	54806008051	QUICK RELEASE-NIPPLE 03	2
8*	54806108052	BLIND RIVET 3,3X9,7 GROOVED 04	4
9	54806008050	QUICK RELEASE-SPRING HANGER	2
10	50306010000	FENDER FOR FILTER BOX '98	1
15	59006015000	AIR FILTER RACING 2001	1
16	59006016000	FILTER CARRIER RAC. 2001	1
17	50306017000	FILTER SUPPORT CPL.2-STROKE'98	1
18	50306018000	FILTER SUPPORT BUSH 125-380'98	1
19	50306019000	FASTEN. DEVICE FILTER SUPPORT	1
26	77006026000	CABURETOR CONNECTING 06	1
27*	46005058000	HOSE CLAMP 40-60MM	1
51	0017060203	EJOT PT SCREW K6X20 WS=6	5
52	0009050103	SPECIAL SCREW M 5,0X10	1
54	0021060003	WASHER DIN9021-A 6,4	2
79	72210079000	BUCKET	2

06SXS0600 / C06SXS0600

* NEW PART

X AS REQUIRED

TANK, SEAT, COVER

250 SXS-F 2006

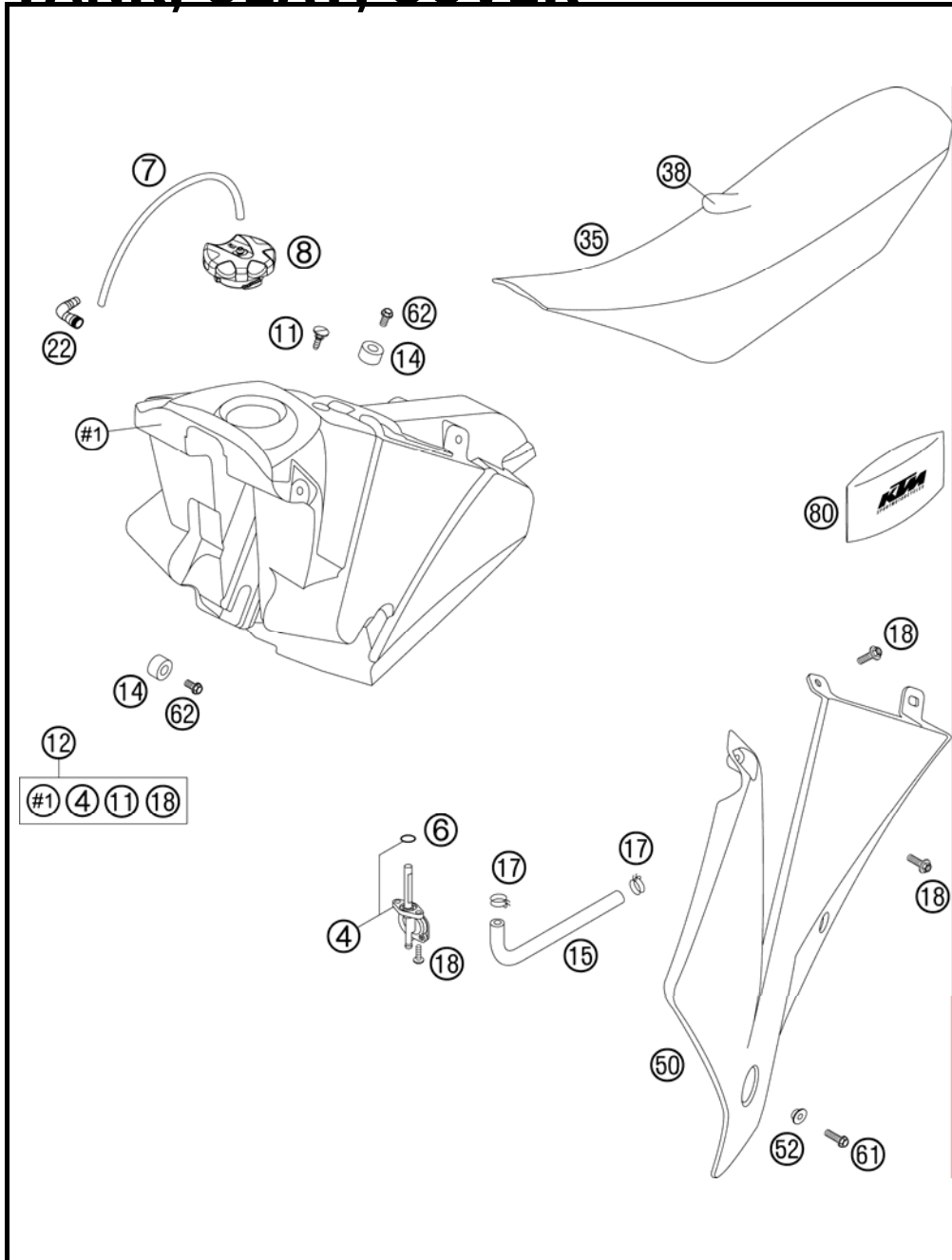


FIG	PART NUMBER	DESCRIPTION	QTY
4	50307005000	GAS COCK MIKUNI ON/OFF 2001	1
6	0770130023	O-RING 13,00X2,30	1
7	31007107001	PVC-HOSE 6X9 MM PER METER	x
8	77007008044	FILLER CAP CPL. 05	1
11	50307011000	SCREW SEAT FASTENING D=6X23/18	1
12	7700701300004	FUEL TANK 250 SXF 06	1
14	50307014000	TANK ROLLER 12X26X12 '98	3
15	77007016000	FUEL PREFORMED HOSE 250 SXF	1
17	58031005000	CLAMP YDNAC 10128 12MM	2
18	0017060204	EJOT PT SCREW K60X20 ALU WS=6	10
22	51030022000	ANGLE PIECE 90 DEGREE M10X1	1
35	54807040700	SEAT 2005	1
38	54807040450	SEAT COV.BLACK WITHOUT LOGO 05	1
50	5480805000004	SPOILER L/S ORANGE 05	1
50	5480805100004	SPOILER R/S ORANGE 05	1
52	50308052000	BUSH FOR SPOILER 6X11X16X5 MM	2
61	0015060203	HH COLLAR SCREW M 6X20 WS=8	4
62	0015060123	HH COLLAR SCREW M 6X12 WS=8	3
80*	77029099000	TOOL KIT 250 SX-F	1

05770070 / C06SXS0700

* NEW PART

X AS REQUIRED

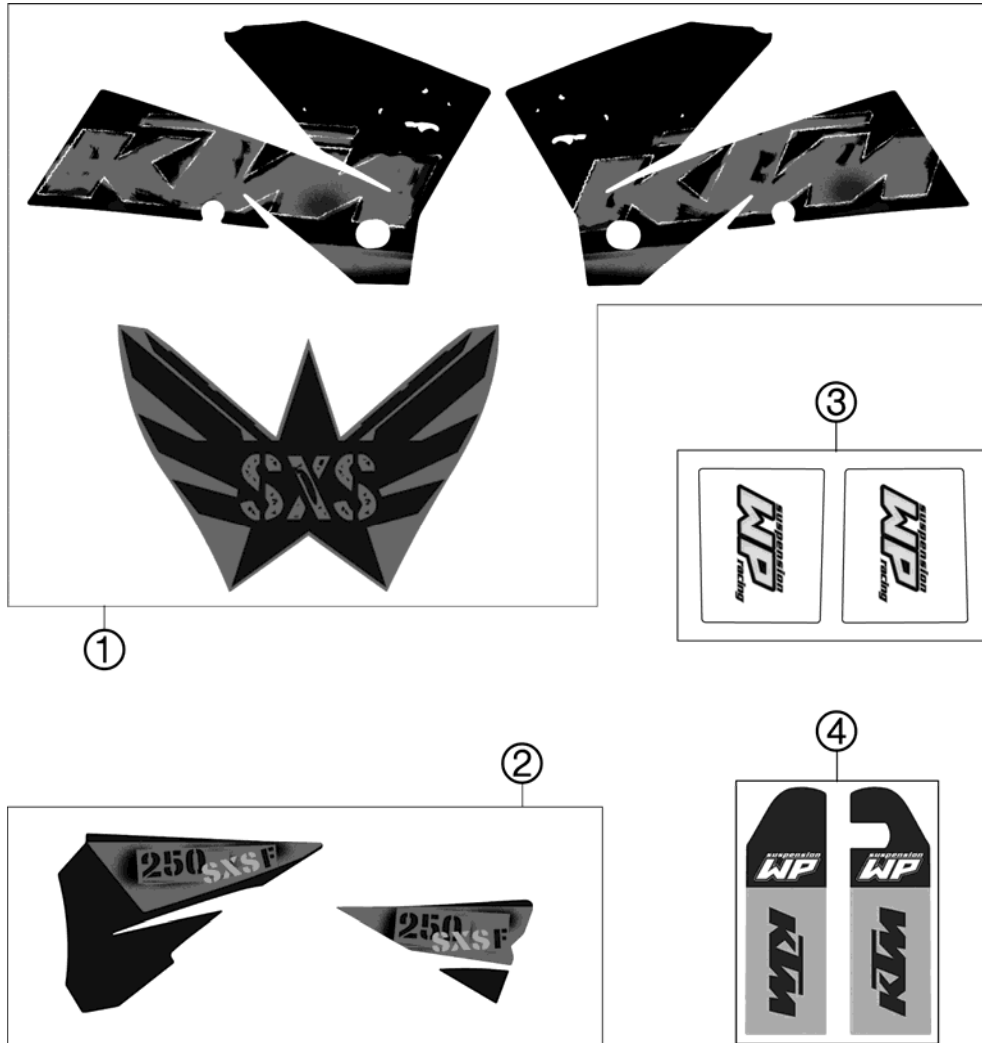


FIG	PART NUMBER	DESCRIPTION	QTY
1*	SXS06125600	DECAL CPL. SXS 2006	1
2*	59008291900	DISPLACEME. STI. 250 SXS-F 06	1
3	52000026	STICKER FR.FORK-SET WP TRANSP.	1
4	59001094050	FORK PROT. STICKER-SET WP/KTM	1

06SXS0803 / C06SXS0803

* NEW PART

X AS REQUIRED

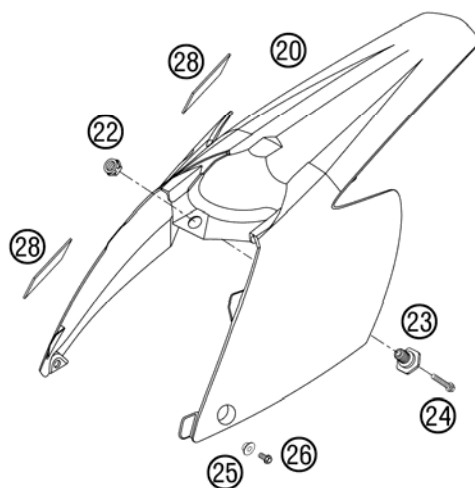
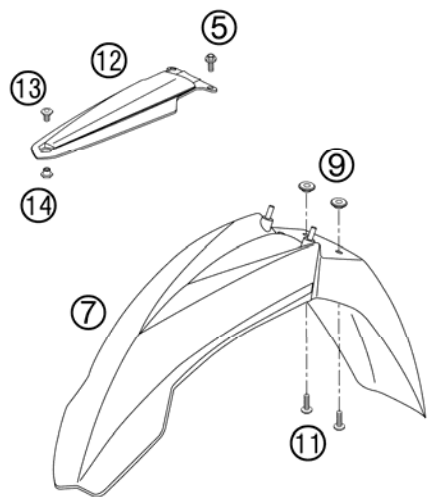
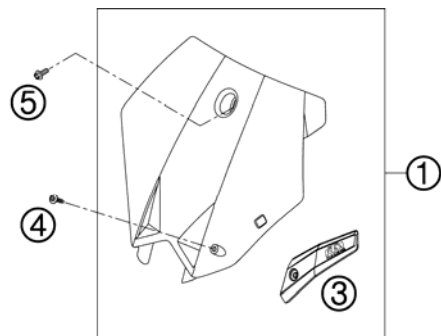


FIG	PART NUMBER	DESCRIPTION	QTY
1	5480800701004	NUMBER PLATE CPL. ORANGE 03	1
3	54808019000	BRAKE HOSE GUIDE BLACK 03	1
4	0017060204	EJOT PT SCREW K60X20 ALU WS=6	1
5	0014060153	HH COLLAR SCREW M 6X15 WS=8	3
7	5030801030004	FENDER FRONT WIDE ORANGE 03	1
9	54808020000	SPACER BUSHING 03	4
11	0014060203	HH COLLAR SCREW M 6X20 WS=8	4
12	50308009100	FENDER BRACE BLACK '99	1
13	50308009050	SCREW FEND.BRACE M8X9 WS=17	1
14	50308009051	NUT FENDER BRACE M8 WS=17	1
20	5480801300004	REAR PART SX ORANGE 03	1
22	50314057050	COLLAR NUT M12X1/WS17 H=5MM	1
23	54807048000	BUSHING FOR SEAT FASTENING 03	1
24	0015060253	HH COLLAR SCREW M 6X25 WS=8	1
25	50308052000	BUSH FOR SPOILER 6X11X16X5 MM	2
26	0015060163	HH COLLAR SCREW M 6X16 WS=8	4
28*	59003001099	METAMOLL 90X45X3MM 03	2

06SXS0806 / C06SXS0806

* NEW PART

X AS REQUIRED

FRONT WHEEL

250 SXS-F 2006

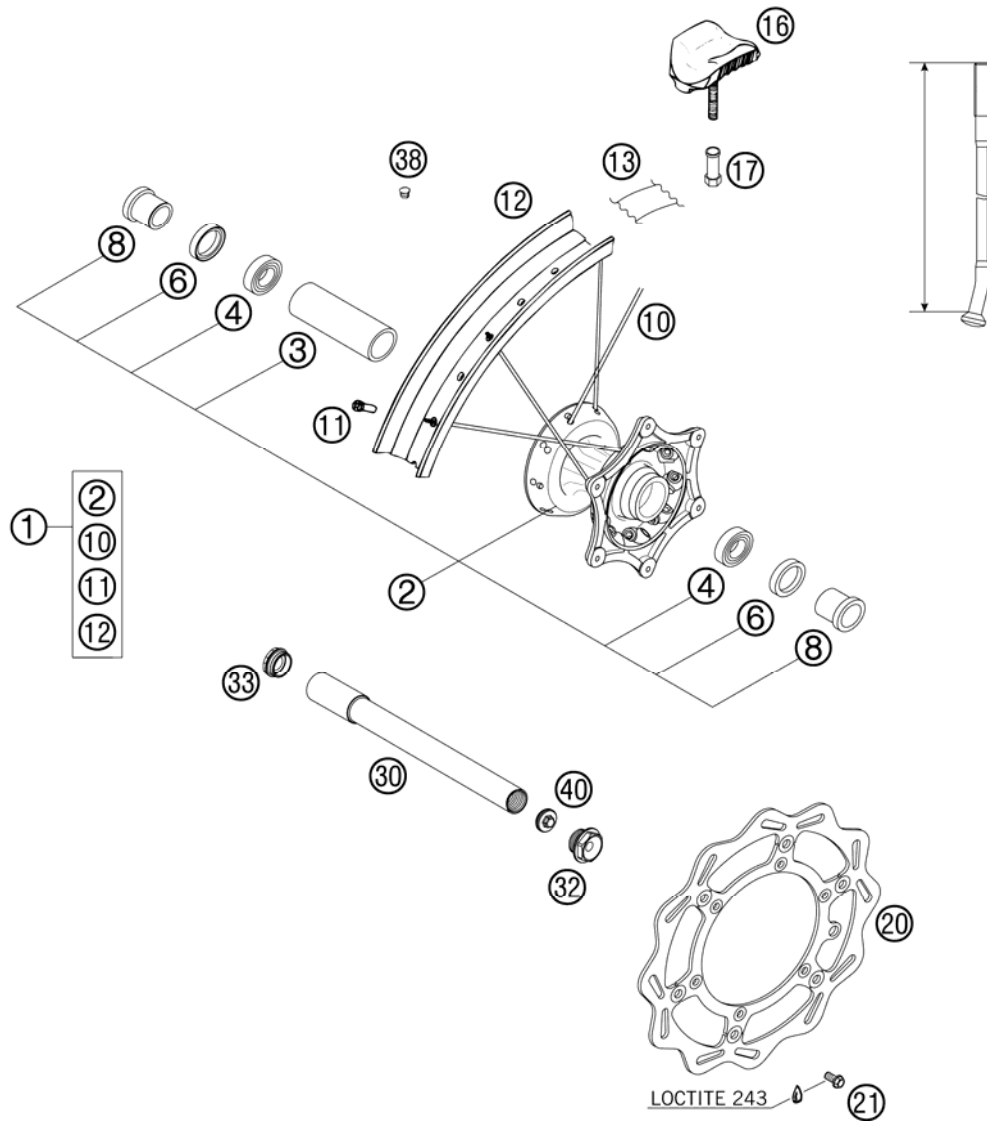


FIG	PART NUMBER	DESCRIPTION	QTY
1*	5480900164430	FRONT W. CPL. 1,6X21" EXCEL 06	1
2*	5480901004491	FRONT HUB CPL. SX SILVER 03	1
3	54809011000	BEA.SPACERTUBE 35X2 L=79,4 03	1
4	0625069068	GR.BALL BEAR.6906 DDU2CG23S6NM	2
6	0760354771	SHAFT SEAL RING 35X47X7 TC	2
8	54809012000	SPACER BUSHING F. FR. WHEEL 03	2
10	50309072228	SPOKE M4,5X228-15G 21" DDE	36
11	50309072000	SPOKE NIPPLE M4,5X0,75 8X21	36
12*	5460907010030	RIM 1,60X21"EXCEL AL4 BLACK	1
13	50309073000	RIM BAND 21"	1
16	51009100100	RIM LOCK VM1 (1,60")	1
17	50310090050	NUT FOR WHEEL HOLDER '96	1
20	54809060300	FRONT BRAKE DISC D=260 MM	1
21	59009062013	SPECIAL SCREW M6X13 WS=8 10.9	6
30*	77309081000	WHEEL SPIN.FR. D=26 M24x1,5 07	1
32	54809082000	SPINDLE SCREW M24X1,5 WS=27 03	1
33	54809081050	PLUG BUSHING WS=27 03	1
38	55003135000	PLUG FOR RIM	x
40*	54809081070	AUXILIARY SCREW FRONT 06	1

06SXS0900 / C06SXS0900

* NEW PART

X AS REQUIRED

REAR WHEEL

250 SXS-F 2006

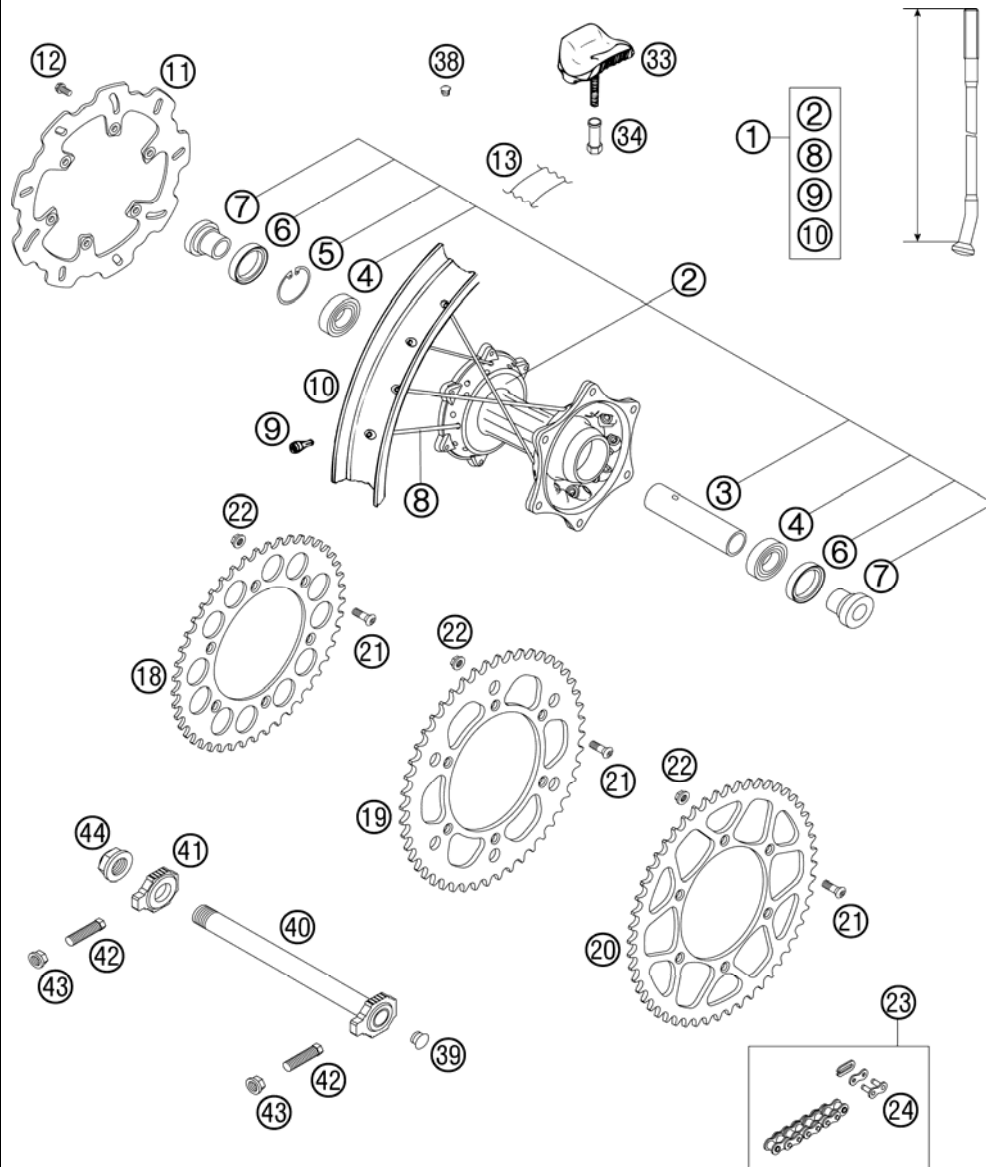


FIG	PART NUMBER	DESCRIPTION	QTY
1*	5481000184430	REAR W. CPL. 2,15X19 EXCEL 06	1
2*	5481001004491	REAR WHEEL HUB CPL. SX, EXC 03	1
3	59010011000	BUSHING SPACER TUBE 121,5MM 01	1
4	0625060058	GR.BALL BEAR.6005 DDU2CG23S6NM	2
5	0472047175	CIRCLIP DIN0472-47X1,75	1
6	0760324771	SHAFT SEAL RING 32X47X7 BSL	2
7	54610016000	BUSHING FOR HUB	2
8	50310072207	SPOKE M5X207-10G 19" DDE	36
9	58309072000	SPOKE NIPPLE M5-TA (8X21MM)	36
10*	5461007010030	RIM 2,15X19"EXCEL AL4 BLACK	1
11*	54810060200	BRAKE DISC REAR D=220 MM	1
12	59009062013	SPECIAL SCREW M6X13 WS=8 10.9	6
13	50310073200	RIM BAND 18" AND 19"	1
18	58310051038	REAR SPROCKET 38-T	x
18	58310051042	REAR SPROCKET 42-T	x
18	58310151040	REAR SPROCKET 40-T	x
18	58310151045	REAR SPROCKET 45-T	x
19	58310151048	REAR SPROCKET 48-T	x
19	58310151049	REAR SPROCKET 49-T	x
20	58310151050	REAR SPROCKET 50-T	x
20	58310151051	REAR SPROCKET 51-T	x
20	58310151052	REAR SPROCKET 52-T	x
21	54510052100	SPROCKET SCREW-AH M8X26 WS=6	6
22	54310086200	SELF LOCKING NUT M8 10.9	6
23*	5031016511804	CHAIN 5/8X1/4" ORANGE	1
24	50310166000	CONNECTING LINK	1
33	54010100100	RIM LOCK VM3 (2.15")	2
34	50310090050	NUT FOR WHEEL HOLDER '96	2
38	55003135000	PLUG FOR RIM	x
39	50210086000	COVERING CAP SFL16	x
40*	77310085044	WHEEL SPINDLE RE. CPL.265MM 07	1
41	50310084000	CHAIN TENSIONER R/S 2000	1
42*	50304040100	SCREW M10X1,25X50 WS=10	2
43	58414030000	HH COLLAR NUT M10X1,25 WS=13	2
44	50310099000	HEXAGON NUT M20X1,5 '98	1

06SXS1000 / C06SXS1000

* NEW PART

X AS REQUIRED

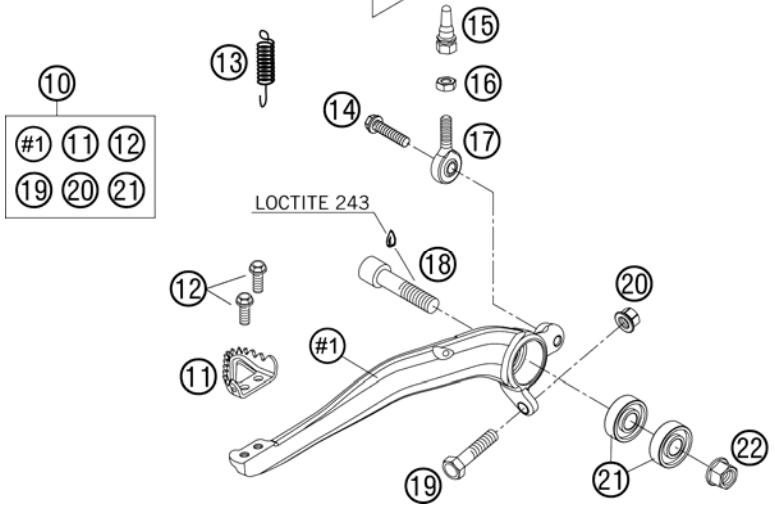
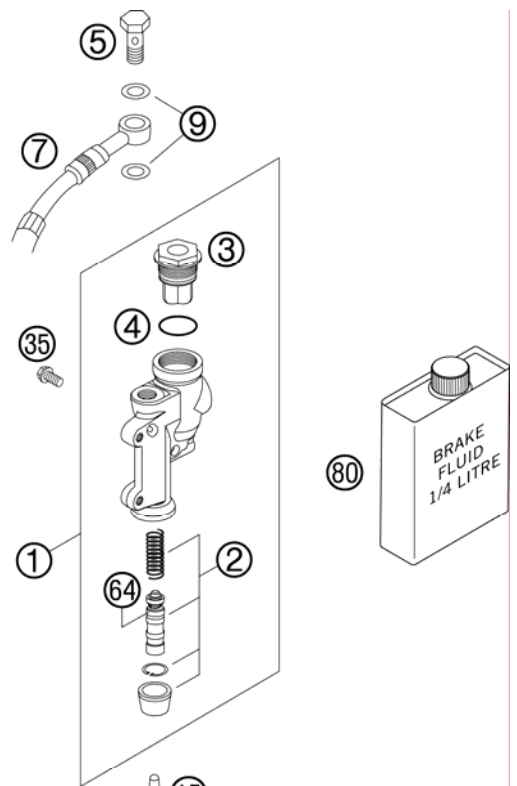


FIG	PART NUMBER	DESCRIPTION	QTY
1	54813060100	REAR BRAKE CYLINDER CPL. 2004	1
2*	54813061200	REPAIR KIT PISTON 13MM 06	1
3	54813062100	REAR BRAKE CYL. COVER CPL. 04	1
4	54813063000	FOOT-BRAKE CYL. GASKET SX 03	1
5	54813020100	HOLLOW SCREW BLACK M10X1X19	1
7	54813070000	BRAKE HOSE REAR 655MM 03	1
9	42013226000	CU-SEAL RING DIN7603-10X16X1	2
10	54813050044	FOOT BRAKE LEVER CPL. 03	1
11	54813051000	STEP PLATE FOR BRAKE LEVER	1
12	0015050123	HH COLLAR SCREW M 5X12 WS=8	2
13	54603062000	RETURN SPRING FOR BRAKE LEVER	1
14	0015060203	HH COLLAR SCREW M 6X20 WS=8	1
15	54813056000	PUSH ROD L=28MM 03	1
16	0934060003	HEXAGON NUT DIN0934-M 6	1
17	54813055000	SWIVEL HEAD KA6 03	1
18	0912100406	AH SCREW DIN6912 M10X40 10.9	1
19	59001037000	SPECIAL SCREW M8X26 WS=10	1
20	46030045000	COLLAR NUT M8 WS=10	1
21	0625060002	BALL BEARING SKF 6000-2RS1	2
22	54630044000	COLLAR NUT M10 WS=13	1
35	0015060123	HH COLLAR SCREW M 6X12 WS=8	2
64*	54813064200	BELLOWS FOR REPAIR KIT 06	1
80	306054	BRAKE FLUID DOT 5.1	1

065231301 / C065231301

* NEW PART

X AS REQUIRED

BRAKE CALIPER REAR

250 SXS-F 2006

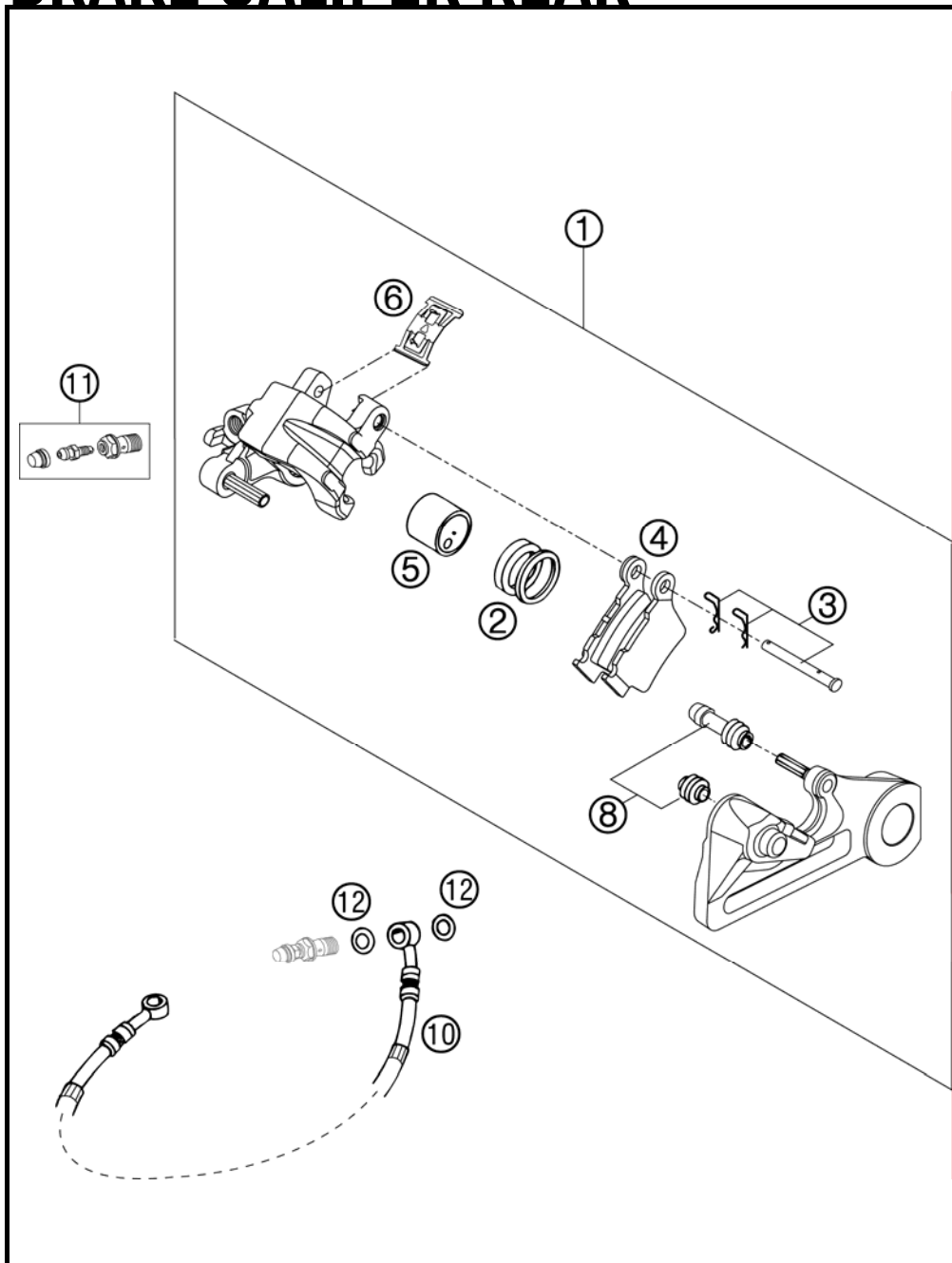


FIG	PART NUMBER	DESCRIPTION	QTY
1	54813080144	BRAKE CALIPER REAR CPL. 2005	1
2	50313081200	REPAIR KIT SEALING RINGS 26MM	1
3	54813082000	BOLT SET FOR BRAKE CALIPER 03	1
4	54813090300	BRAKE PAD SET REAR TOYO	1
5	54813083000	BRAKE PISTON 26MM 2003	1
6	54813018000	RETAINING SPRING SET 2003	1
8	54613218000	CUP SET SHORT	1
10	54813070000	BRAKE HOSE REAR 655MM 03	1
11	54813020000	BLEEDER HOLLOW SCREW M10X1	1
12	42013226000	CU-SEAL RING DIN7603-10X16X1	2

03590136 / C065231303

* NEW PART

X AS REQUIRED

HAND BRAKE CYLINDER

250 SXS-F 2006

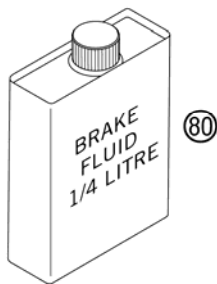
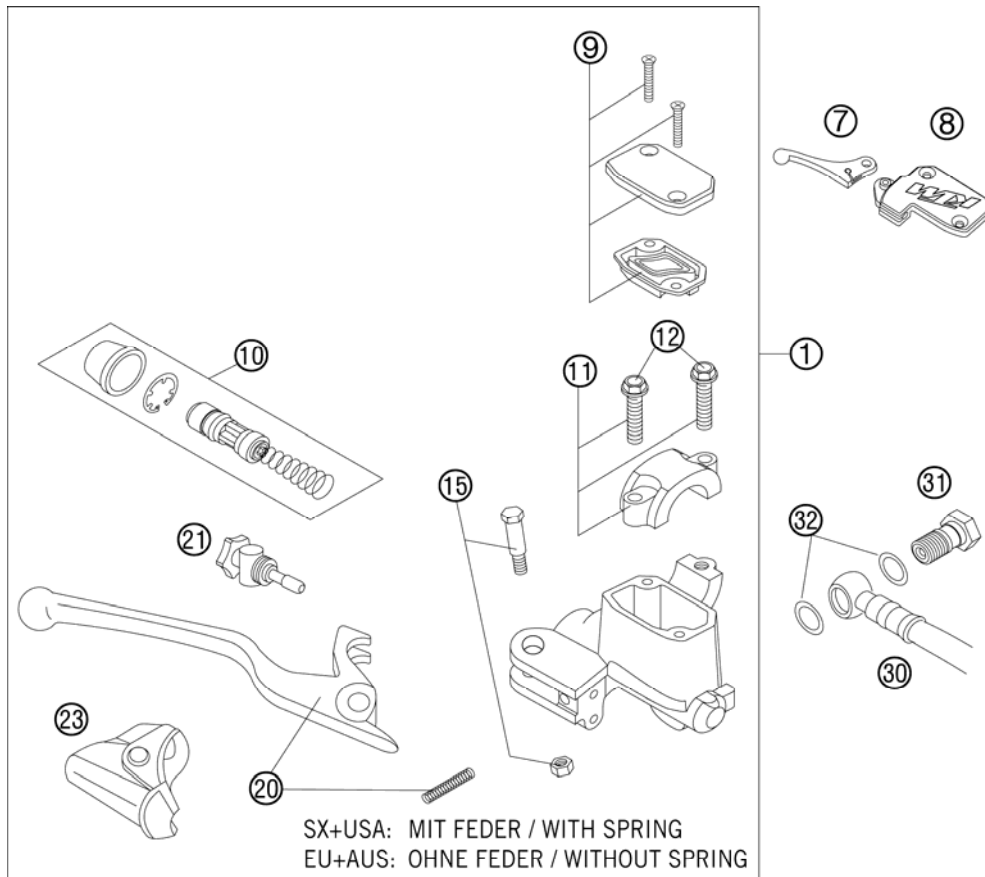


FIG	PART NUMBER	DESCRIPTION	QTY
1*	54813001200	HAND BRAKE CYLINDER CPL. SX 06	1
7*	59002047100	HOT START LEVER CPL. 05	1
8*	SXS05450310	HANDBRAKE CYLINDER COVER	1
9	50313003000	HANDBRAKE CYL. COVER CPL. NATURE	1
10*	54813008200	REP. SET PISTON D=10MM 2006	1
11	50313005000	CLAMP CPL. NATURE	1
12	0015060253	HH COLLAR SCREW M 6X25 WS=8	2
15	50313006100	LEVER SCREW CPL. 2001	1
20*	54813002100	HAND BRAKE LEVER + SPRING 2006	1
21*	54813007200	ADJUSTING SCREW CPL. EXC 2006	1
23	50313004000	PROTECTION CAP HAND BRAKE CYL.	1
30	59013010000	BRAKEHO. FRONT 1235MM 2000	1
31	50213025000	HOLLOW SCREW M10X1X19	1
32	42013226000	CU-SEAL RING DIN7603-10X16X1	2
80	306054	BRAKE FLUID DOT 5.1	1

06SXS1300 / C06SXS1300

* NEW PART

X AS REQUIRED

BRAKE CALIPER FRONT

250 SXS-F 2006

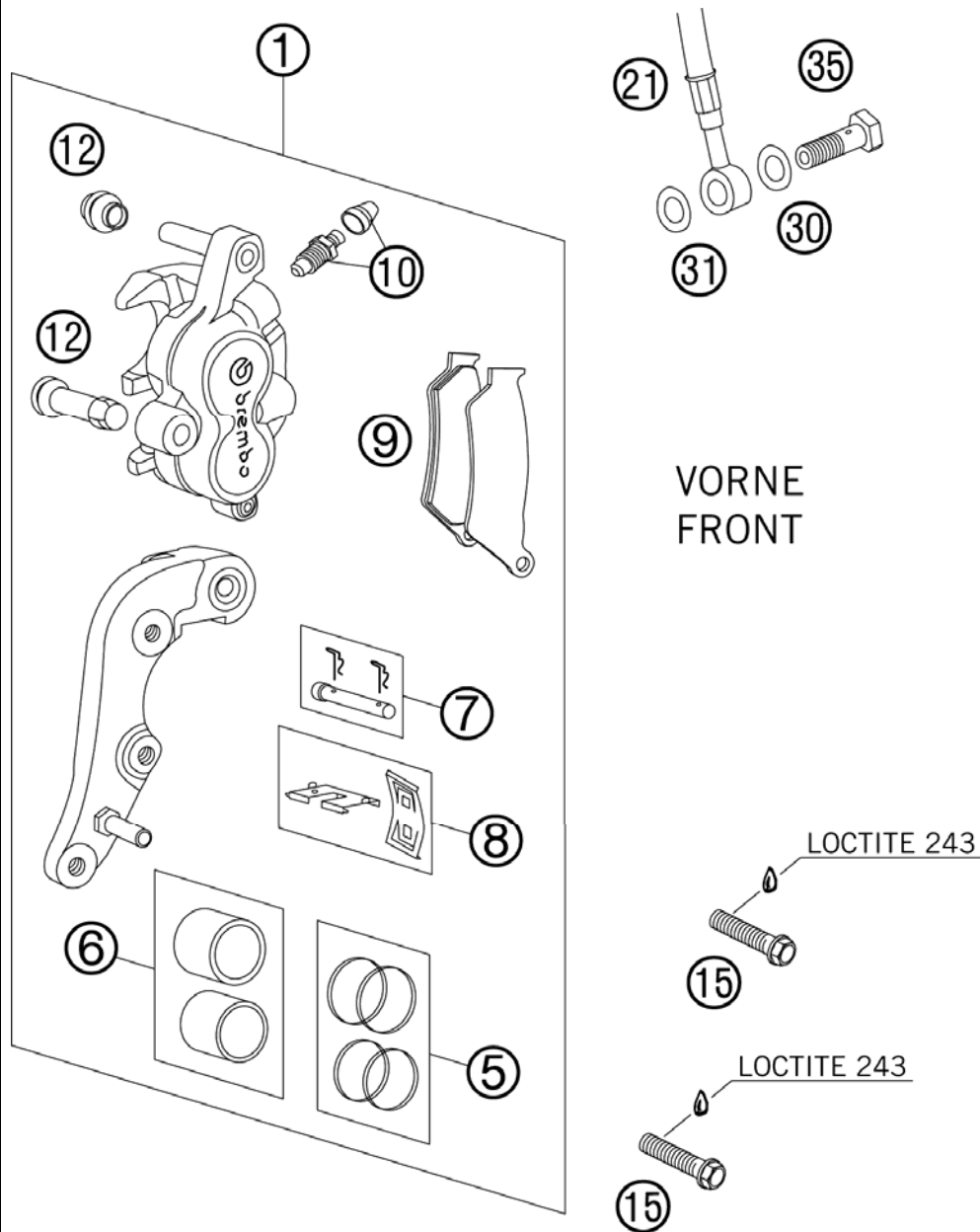


FIG	PART NUMBER	DESCRIPTION	QTY
1*	SXS06125512	BRAKECALIPER FRONT BREMBO 2006	1
5	54613205000	REPAIR KIT 28MM	1
6	54613206000	REPAIR KIT PISTON 28MM	1
7	54613210100	BOLT CPL. 6X56	1
8	54613212000	RETAINING PLATE SET BREMBO	1
9	50313030100	BRAKE P.SET FR.TOSHIBA TT2701B	1
10*	60013020000	BLEEDER SCREW WITH CAP	1
12	54613218000	CUP SET SHORT	1
15	0015080353	HH COLLAR SCREW M 8X35 WS=10	2
21	59013010000	BRAKEHO. FRONT 1235MM 2000	1
30	42013226000	CU-SEAL RING DIN7603-10X16X1	2
31	42013026000	CU-SEAL RING DIN7603-10X16X1,5	2
35	50213025000	HOLLOW SCREW M10X1X19	1

065231306 / C06SXS1301

* NEW PART

X AS REQUIRED





KTM-Sportmotorcycle AG
A-5230 Mattighofen
www.ktm.at

KTM Group Partner



3CF8100F9EN



Art.Nr.: 3CF8100F9EN 11/2005