

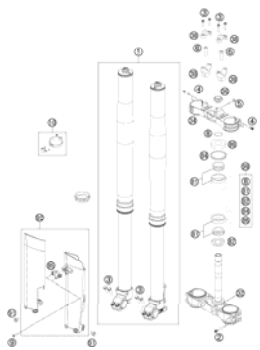
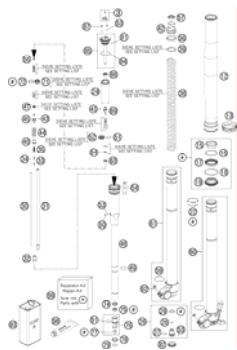
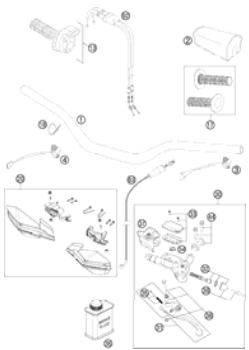
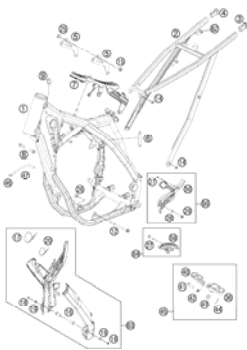
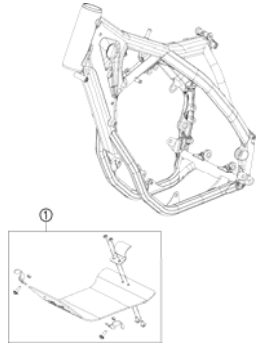
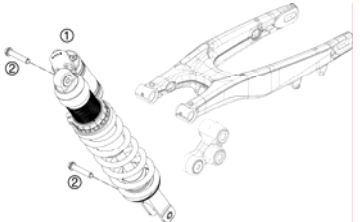
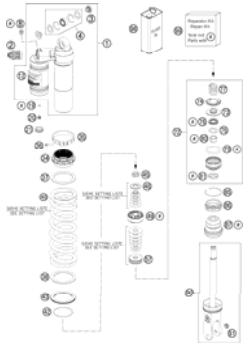
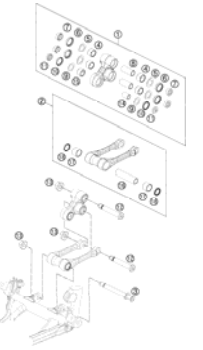
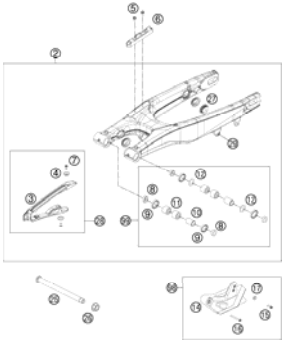
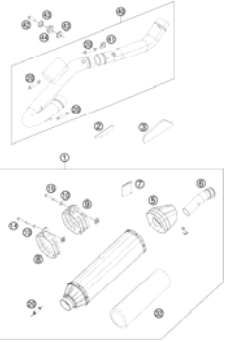
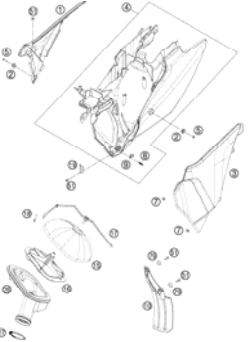
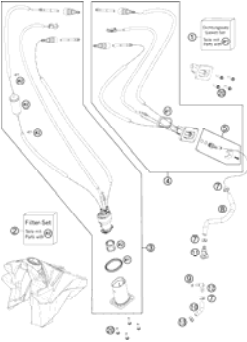
250 SX-F ROCZEN REPLICA 2012

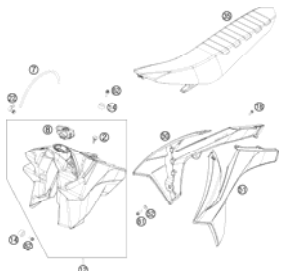
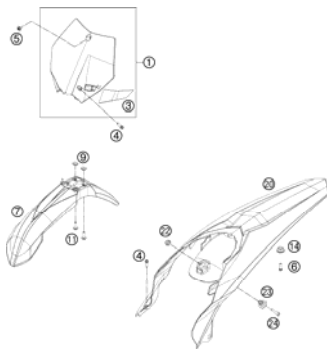

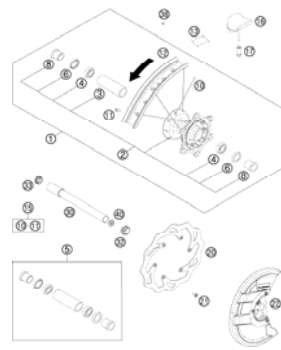
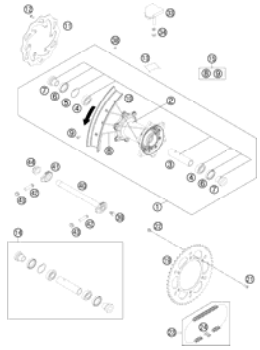
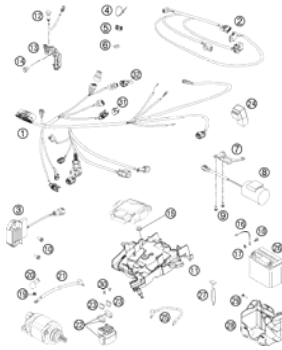
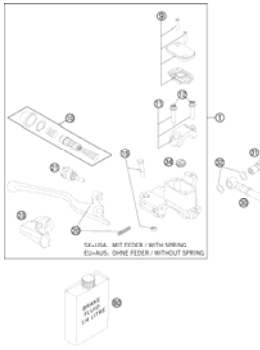
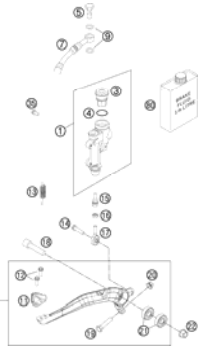
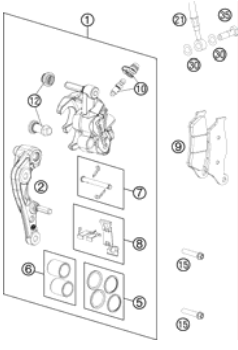
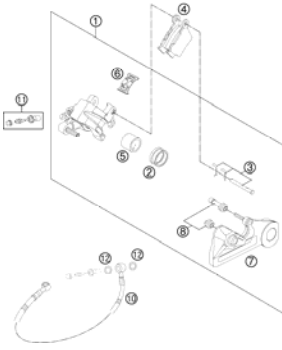

SPARE PARTS MANUAL: CHASSIS

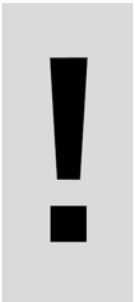
ART.NO.: 3CF8101L1EN

ENGLISH



<p>FRONT FORK, TRIPLE CLAMP</p>  <p>4</p>	<p>FRONT FORK DISASSEMBLED</p>  <p>5</p>	<p>HANDLEBAR, CONTROLS</p>  <p>7</p>	<p>FRAME</p>  <p>8</p>
<p>ENGINE GUARD</p>  <p>10</p>	<p>SHOCK ABSORBER</p>  <p>11</p>	<p>SHOCK ABSORBER DISASSEMBLED</p>  <p>12</p>	<p>PRO LEVER LINKING</p>  <p>14</p>
<p>SWING ARM</p>  <p>15</p>	<p>EXHAUST SYSTEM</p>  <p>16</p>	<p>AIR FILTER</p>  <p>17</p>	<p>FUEL PUMP</p>  <p>18</p>

<p>TANK, SEAT, COVER</p>  <p>! Nur gegen Austausch erhältlich! Lieferung erfolgt nur nach Vorlage des Kaufbeleges - Aufheben! ist für den Käufer spezifisch für Kaufbeleg!</p> <p>! Only for replacement! Delivery only follow after receiving the damaged sticker to your After Sales contact person!</p> <p>19</p>	<p>MASK, FENDERS</p>  <p>20</p>	<p>DECAL</p>  <p>21</p>	<p>FRONT WHEEL</p>  <p>22</p>
<p>REAR WHEEL</p>  <p>23</p>	<p>WIRING HARNESS</p>  <p>24</p>	<p>HAND BRAKE CYLINDER</p>  <p>! KEILLAGER MIT FEDER / WITH SPRING EQUIVALENT OHNE FEDER / WITHOUT SPRING</p> <p>25</p>	<p>REAR BRAKE CONTROL</p>  <p>26</p>
<p>BRAKE CALIPER FRONT</p>  <p>27</p>	<p>BRAKE CALIPER REAR</p>  <p>28</p>	<p>ACCESORIES KIT</p>  <p>! OHNE ABBLDUNG WITHOUT ILLUSTRATION</p> <p>! TECHNISCHE DOKUMENTATION TECHNICAL DOCUMENTATION DOCUMENTATION TECHNICA DOCUMENTATION TECHNIQUE NOTE TECHNIQUE</p> <p>29</p>	<p>30</p>

	 <p>All information contained is without obligation. KTM-Sportmotorcycle AG particularly reserves the right to modify any equipment, technical specifications, prices, colors, shapes, materials, services, service work, constructions, equipment and the like so as to adapt them to local conditions or to cancel any of the above items, all without previous announcement and without giving reasons. KTM may stop manufacturing certain models without previous notice. KTM shall not be held liable for any deviations of availability and/or ability to deliver, illustrations, descriptions, printing and/or other errors. The illustrated models partly contain extra equipment, which is not applied to standard models. © by KTM-SPORTMOTORCYCLE AG, Mattighofen AUSTRIA; All rights reserved; Reprint, also in extracts, with written allowance of KTM-SPORTMOTORCYCLE AG, Mattighofen only.</p>		

FRONT FORK, TRIPLE CLAMP

250 SX-F ROCZEN REPLICA 2012

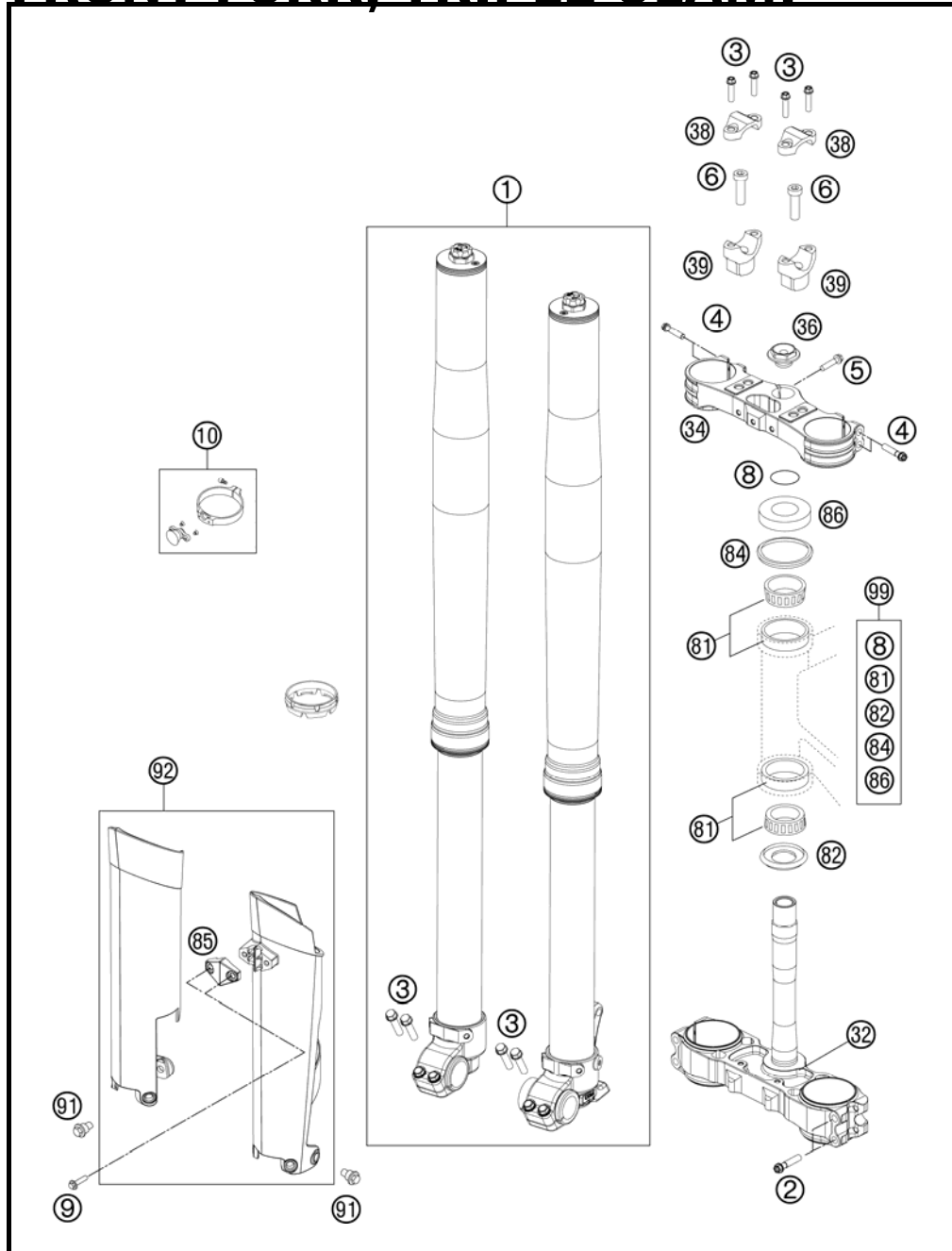


FIG	PART NUMBER	DESCRIPTION	QTY
1	14187L0501	FORK KTM CC 250 SX/SX-F 2012	1
2	0025080506	HH COLLAR SCREW M8X50 TX40	4
3	0025080256	HH COLLAR SCREW M8X25 TX40	8
4	0025080406	HH COLLAR SCREW M8X40 TX40	4
5	0015080256S	HH COLLAR SCREW M8X25 WS=10 06	1
6	0032100356S	AH-COLLAR SCREW M10X35 ISA45	2
8	0770025035	O-RING 25X3,55 NBR70 05	1
9	0017060204	EJOT PT SCREW K60X20 ALU WS=6	2
10	SXS11540100	FACTORY START	1
32	7720103202204	BOTT.FORK PLATE VMT. X=22MM OR	1
34	7720103402204	TOP TRIPLE CLAMP X=22MM OR	1
36	54801036000	STEER.HEAD SCREW M20X1,5 WS=27	1
38	77201038000	HANDLEBAR CLAMP 28MM	2
39	59401039032	HANDLEB.SUPP. D=28MM H=32MM 05	x
39	59401039037	HANDLEB.SUPP. D=28MM H=37MM 05	1
39	59401039042	HANDLEB.SUPP. D=28MM H=42MM 05	x
81	54201081100	TAPERED ROLLER BEARING CPL. 06	2
82	54601084100	O-RING SUPPORT W. SEALING LIP	1
84	54601184000	STEERING HEAD GASKET TOP	1
85	7800108500004	CLAMP FOR SPEED CABLE D=6MM 08	1
86	78101086000	STEERING HEAD COVER	1
91	59001092050	SPECIAL SCREW M6X12,5 WS=8	6
92	7800109410004	FORK PROTECTION LE+RI ORANGE08	1
99	00050000930	STEERING HEAD REP. KIT	x

117710111 / C127710112

* NEW PART

X AS REQUIRED



FRONT FORK DISASSEMBLED

250 SX-F ROCZEN REPLICA 2012

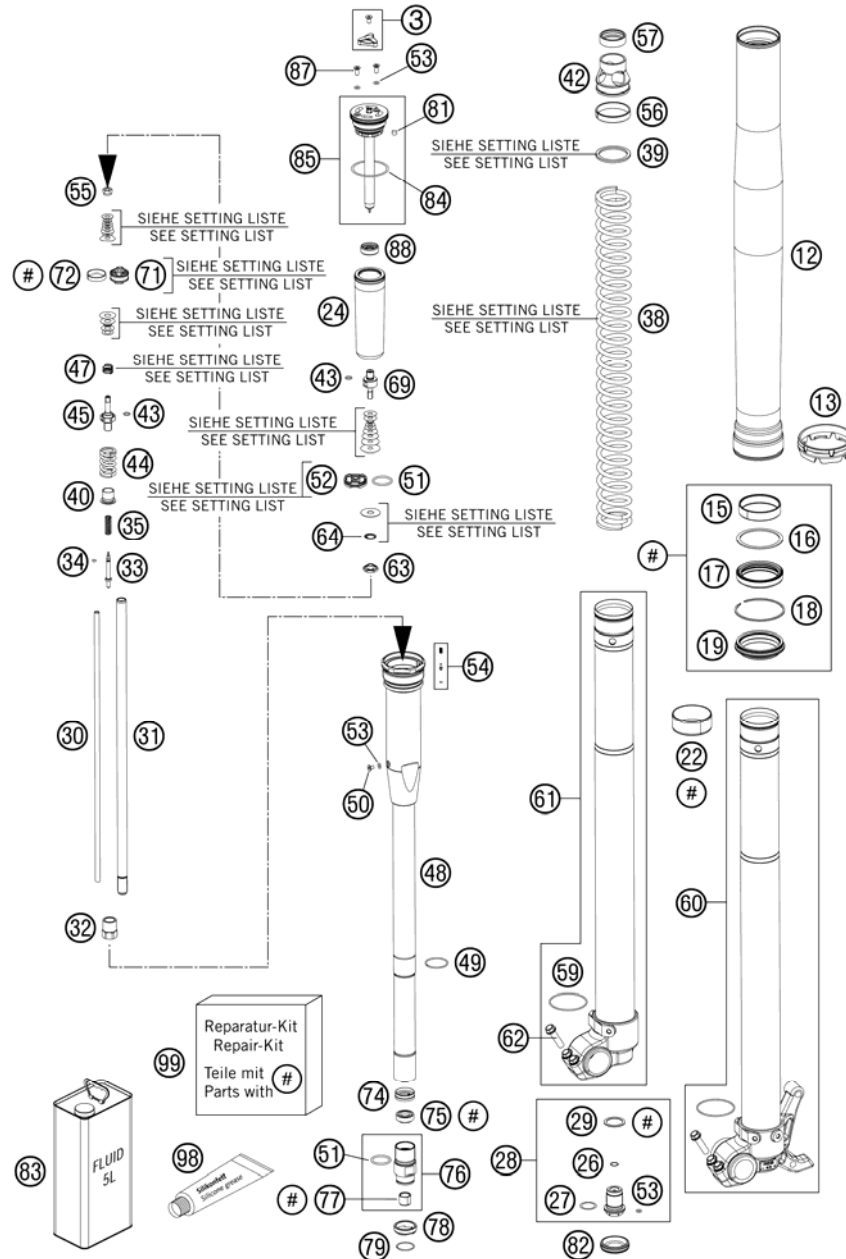


FIG	PART NUMBER	DESCRIPTION	QTY
3	48600811S	ADJUSTING KNOB + SCREW	2
12	48600736	OUTER TUBE L577 D54/60MM 2L	2
13	48600698	FORK PROTECTION RING 08	2
15	48601009	GUIDING BUSH 48X52X12 R11	2
16	48600013	SUPPORT RING 50 X 57,6 X 1,5	2
17	48600969	OIL SEAL RING D48 SKF	2
18	48600070	LOCK WASHER SB58	2
19	48600968	DUST SEAL DL D48 SKF	2
22	48601008	GUIDING BUSH 47X49X20 R11	2
24	48600281	MEMBRANE	2
26	48600301	O-RING NBR 9,5X1,5	2
27	46810811	O-RING NBR 17X2 PA	2
28	48600280S	SCREW BUSH M20X1 L=33 CPL.	2
29	48600275	COPPER WASHER 20,5X26X1	2
30	48600269	ADJUSTING TUBE L=371	2
31	48600464	PISTON ROD SXS 2005	2
32	48600459	COUNTERNUT M12X1 WS17	2
33	48600887	REBOUND NEEDLE SX	2
34	48600298	O-RING 2X1,5 NBR	2
35	48600444	REBOUND SPRING C=4N/MM	2
38	91410010S	SPRING D43.2 L485 5.2N/MM	x
38	91410020S	SPRING 4,8N/MM SET D=5,25 MM	x
38	91410027S	SPRING 4,4 N/MM SET D=5,1MM	x
38	91410028S	SPRING 4,6 N/MM SET D=5,1MM	x
38	91410030S	SPRING 5,0 N/MM	x
38	91410059S	SPRING 4,0 N/MM SET	x
38	91410060S	SPRING 4,2 N/MM SET D=5,0MM	x
39	48600456	SPACER 43X35X2,5	x
39	48600457	SPACER 43X35X5	x
39	48600458	SPACER 43X35X1,5	x
40	48600525	GUIDING BUSH REBOUND SPRING	2
42	48600520	SPRING SUPPORT	2
43	48600299	O-RING 6X1,2 NBR	4
44	48600578	SPRING REB. L=32 C=37 DI=13,9	2
45	48600576	PISTON ROD REBOUND	2

125030130 / C127710130

* NEW PART

X AS REQUIRED

FRONT FORK DISASSEMBLED

250 SX-F ROCZEN REPLICA 2012

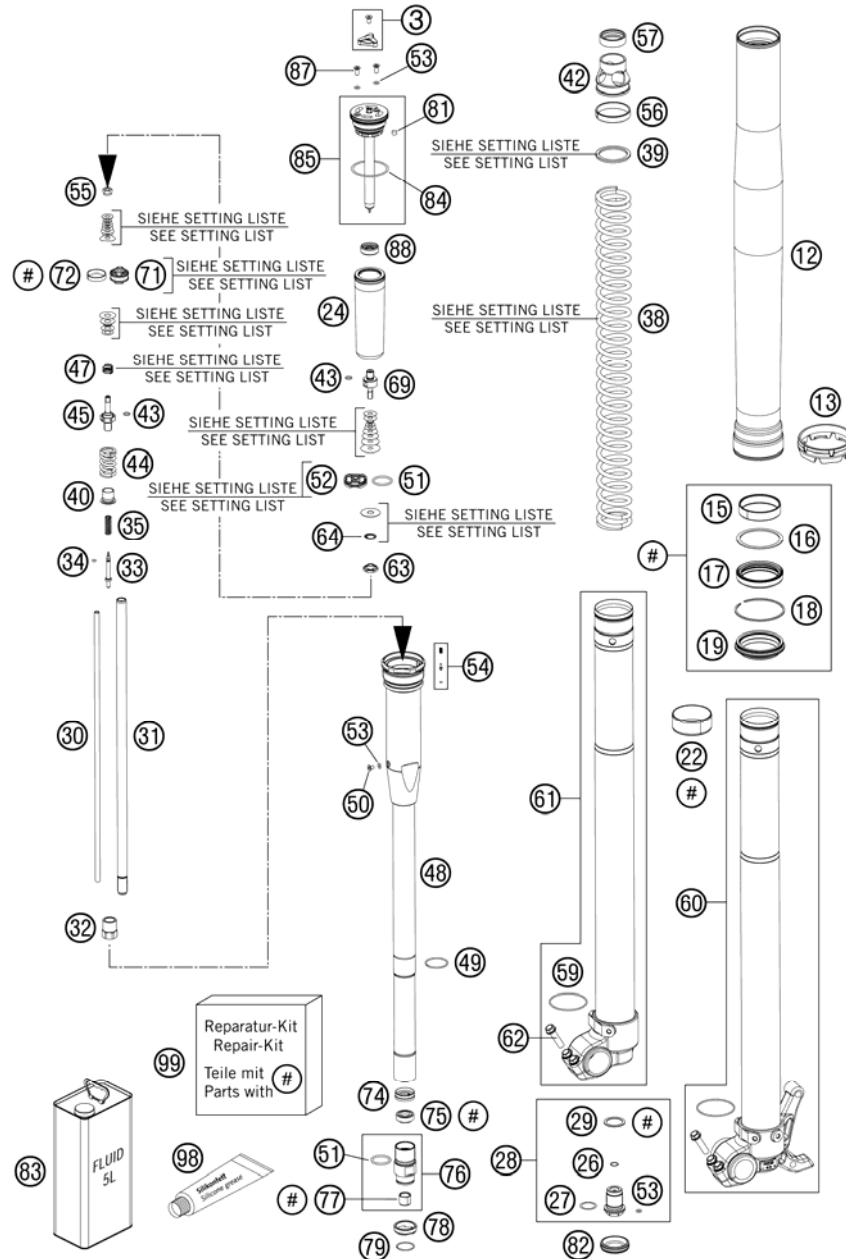


FIG	PART NUMBER	DESCRIPTION	QTY
47	48600382	SHUTTLE VALVE SPRING C=0,4	2
48	48600519S3	MEMBRANE HOLDER INKL. PIN SET	2
49	48600512	LOCK WASHER D=25,5	2
50	48600542	AH SCREW M4X6	2
51	46811499	O-RING NBR 21X2	4
52	48600047	PISTON COMPRESSION D=27,9	2
53	50180222	O-RING NBR 4X1,5	8
54	48600977S	PIN KIT	2
55	40540486	NUT M6X0,5 REBOUND	2
56	48600744	GUIDE RING 44 X39	2
57	48600577	RING SPRING-SUPPORT	2
59	48600113	WASHER 32X42X2,5	2
60	48600863SA	AXLE CLAMP LEFT + TUBE CPL.	1
61	48600864SA	AXLE CLAMP RIGHT + TUBE CPL.	1
62	0025080256	HH COLLAR SCREW M8X25 TX40	4
63	48600885	NUT VALVE M6X0,5 LH=1,2	2
64	48600202	SPRING CHECK VALVE D=0,7	2
69	48600509	PISTON ROD COMPRESSION	2
71	48600575	PISTON REBOUND SX 2007	2
72	48600455	PISTON RING 5X1X68	2
74	48601056	RING 23,45X8,9	2
75	48600829	SHAFT SEAL RING 12MM	2
76	48601055S	SCREW SLEEVE M24,5X1 CPL.	2
77	48600430	DU BUSH FOR PISTON ROD	2
78	48600709	CHECK VALVE STOP	2
79	48600446	LOCK WASHER D=20	2
81	15080017	SILICON CAP	2
82	48600692	RUBBER CAP D=26,4	2
83	48600765S1	FORK OIL SAE5 5L 2008	1
84	40140024	O-RING NBR 43X2	2
85	48600516S1	SCREW CAP CPL. L=125	2
87	48600526	SCREW M4X10	4
88	48600514	MEMBRANE SLEEVE	2
98	T511	SILICONE GREASE F. DUST STRI	1
99	R14020	SXS SERVICE KIT	1

125030130 / C127710130

* NEW PART

X AS REQUIRED

HANDLEBAR, CONTROLS

250 SX-F ROCZEN REPLICA 2012

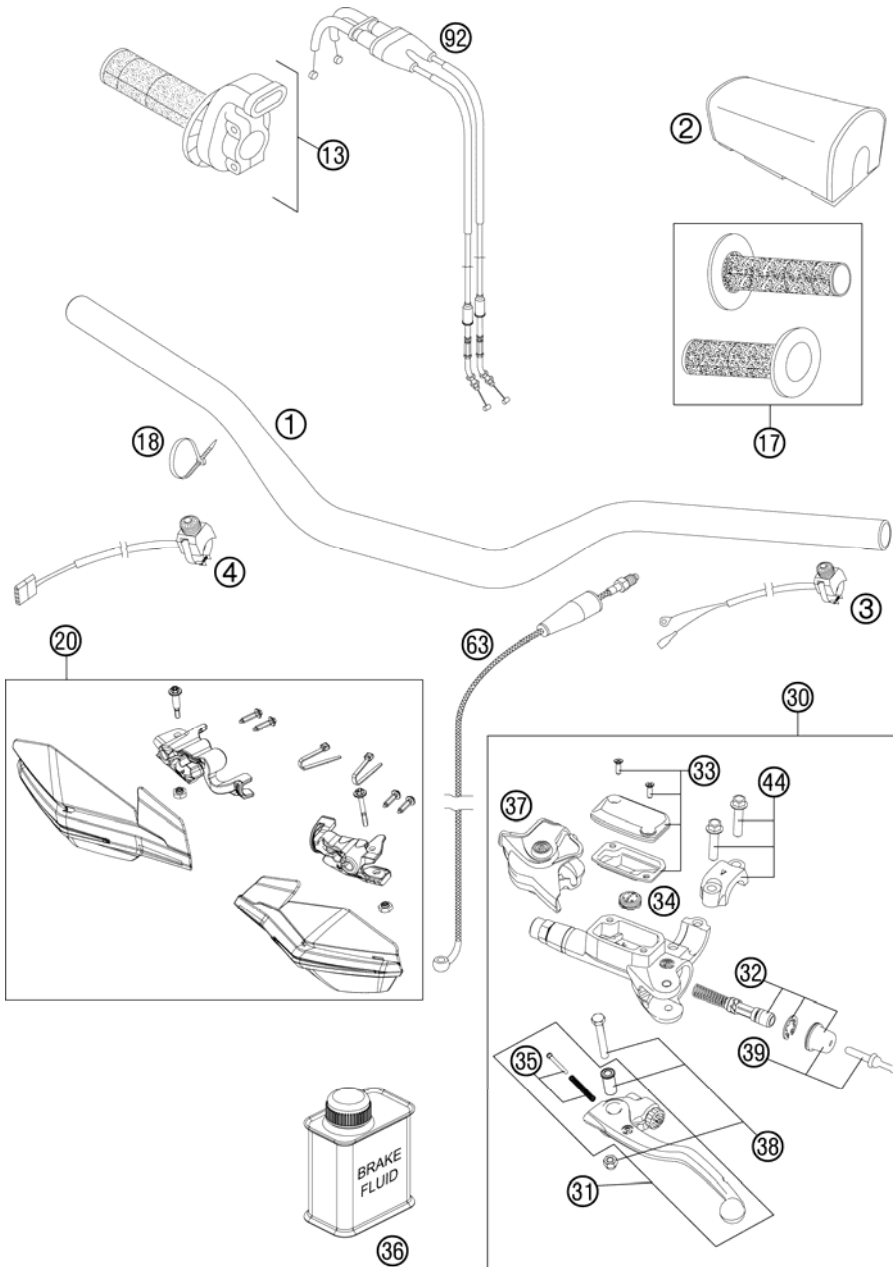


FIG	PART NUMBER	DESCRIPTION	QTY
1	7770200100030	HANDLEBAR RENTHAL BLACK 13	1
2	77302002000	BAR PAD	1
3	50311089200	SHORT CIRCUIT BUTTON 02	1
4	59411074000	STARTER CONTROL 04	1
13	77002010100	THROTTLE GRIP CPL. 4-ST. 09	1
17	54802039100	FIXED GRIP GRAY/ORANGE 09	1
17	77102021000	GRIP-SET RENTHAL G092 FULL W.	x
18	44011076140	CABLE TIE 140/2,5MM BLACK	x
18	44011076200	CABLE TIE 200/3,6MM BLACK	x
20	7810297900004	HANDGUARDS CPL.LE+RI ORANGE 12	1
30	54802030044	MASTER CYLINDER CPL. 06	1
31	54802031000	CLUTCH LEVER CPL. BREMBO 06	1
32	54802032000	REP. KIT PISTON 06	1
33	54802003000	COVER HYD. CLUTCH CPL.	1
34	54802051000	VALVE	1
35	54802052000	BOLT KPL.	1
36	00062030000	BRAKE FLUID DOT5.1 0,25L	1
37	54802037000	PROTECTION CAP 06	1
38	54802038100	LEVER SCREW CPL. 06	1
39	54802046000	PUSH ROD CPL.	1
44	54802005100	CLAMP CPL. 06	1
63	54832063000	CLUTCH PIPE 06	1
92	77002091000	THROTTLE CABLE 250 SXF 2005	1

117720211 / C127710211

* NEW PART

X AS REQUIRED

FRAME

250 SX-F ROCZEN REPLICA 2012

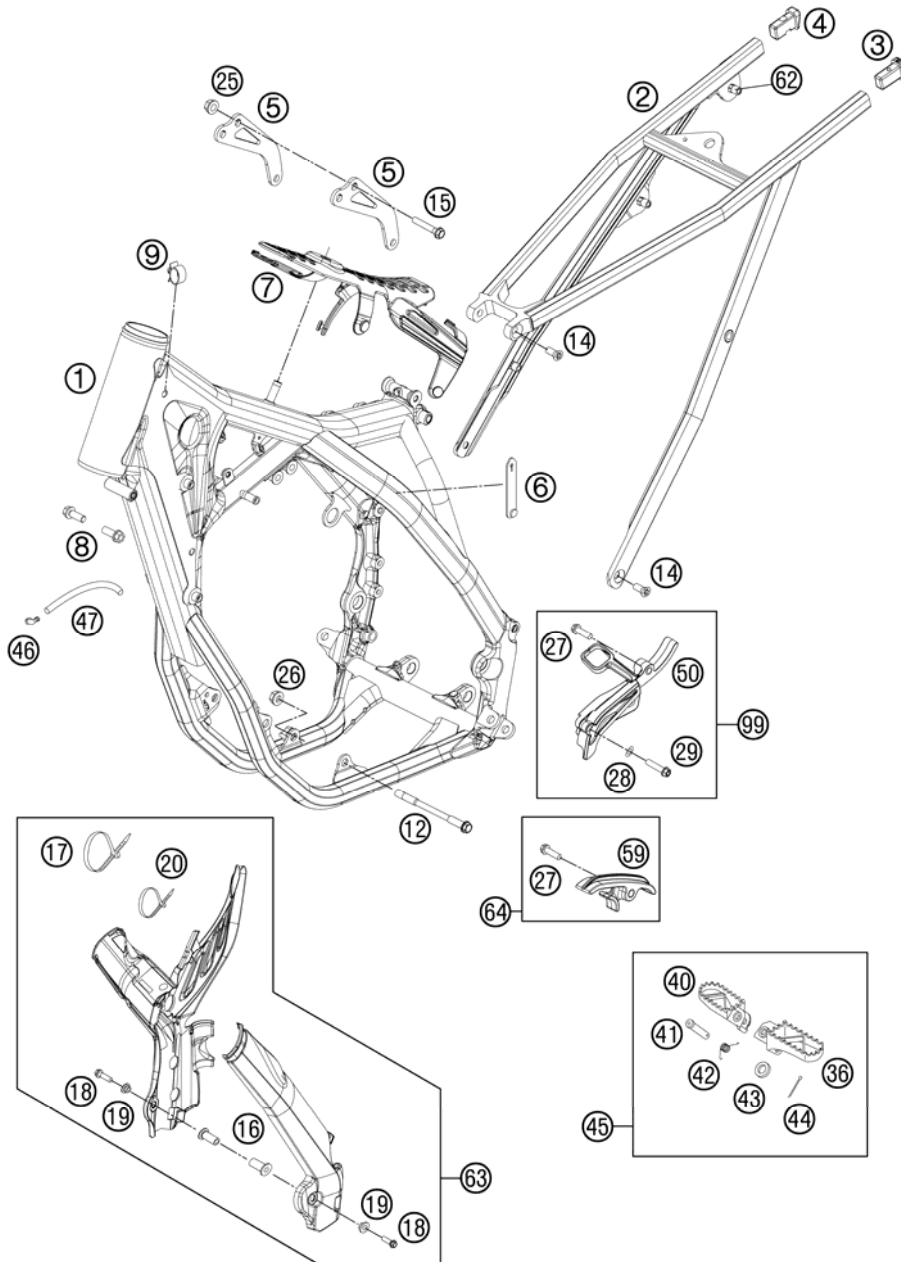


FIG	PART NUMBER	DESCRIPTION	QTY
1	7710300100004	FRAME ORANGE "771K3"	1
2	77203002000	SUB FRAME SX	1
3	78003002010	SUB FRAME APPLICATION LEFT 08	1
4	78003002020	SUB FRAME APPLICATION RIGHT 08	1
5	77103013000	REINFORCING B. 250 SX-F	2
6	60011093075	RUBBER CABLE TIE 75MM 03	1
7	77207012000	TANK REST RUBBER	1
8	0025080166S	HH COLLAR SCREW M8X16 TX40	2
9	57013072100	WIRING HOLDER 16MM	1
12	54603013000	ENGINE BRAC.SCR. M10X105 WS=13	2
14	0019080206S	FLAT HEAD SCREW M. ISA45 M8X20	4
15	56530079000	HH COLLAR SCREW M 8X44 WS13	3
16	54803092050	BLIND PLUG-IN NUT M5 WN 22A 03	2
17	44011076305	CABLE TIE 300/4,8MM BLACK	3
18	0738050250	COU.SUNK SCR. AH ISO7380 M5X25	2
19	54803092060	BUSH F. FRAME PROTECTION 03	2
20	44011076140	CABLE TIE 140/2,5MM BLACK	1
25	54310086200	SELF LOCKING NUT M8 10.9	3
26	54310086100	SELF LOCKING NUT M10 CU WS=14	2
27	0025080306	HH COLLAR SCREW M8X30 TX40	2
28	0125060003	WASHER DIN0125-A 6,4	1
29	0025060406	HH COLLAR SCREW M6X40 TX30	1
36	59003040250	FOOT PEG L/S SILVER 02	1
40	59003041250	FOOT PEG R/S SILVER 02	1
41	54803044000	BOLT FOR FOOT PED 03	2
42	54603041000	FOOTREST SPRING L/S & R/S	2
43	0125100003	WASHER DIN0125-A10,5	2
44	0094032253	PIN DIN0094-3,2X25 STEEL	2
45	5030314013390	FOOTPEG L.+R. CPL. 03	1
46	50303089000	ANGLE PIECE '97	2
47	55007016001	PVC-HOSE 7X10 PER METER	x
50	77003096000	SPROCKET COVER 250 SX-F 07	1
59	77203053000	CHAIN SLIDING PIECE BELOW	1
62	77303139000	BLIND RIVET NUT EM6-60LF/HX	x
63	77203094000	PLASTIC FRAME PROTECTION SET	1

117710310 / C127710311

* NEW PART

X AS REQUIRED

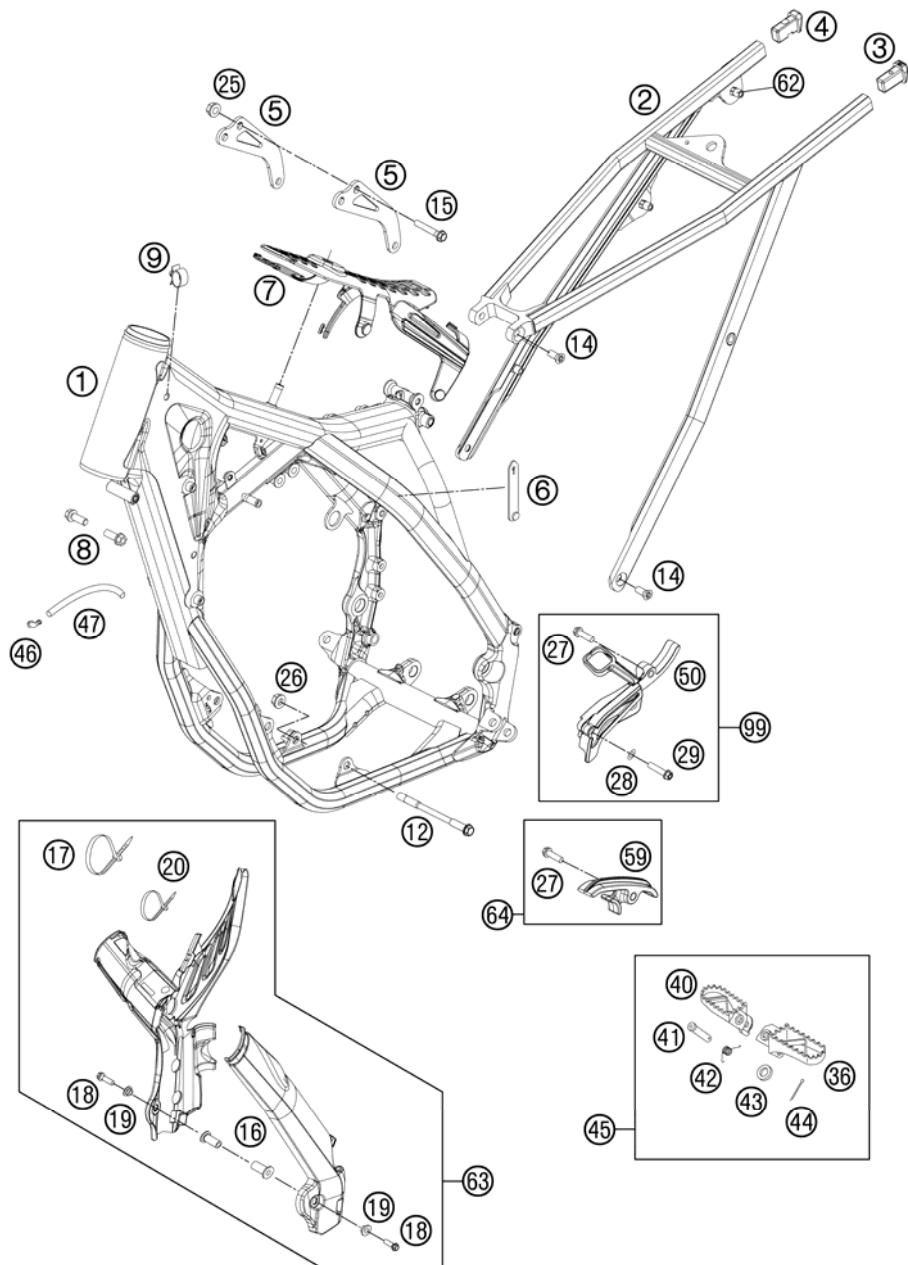


FIG	PART NUMBER	DESCRIPTION	QTY
64	77203053010	CHAIN SLIDING KIT BELOW CPL.11	1
99	77003096010	SPROCKET COVER KIT	x

117710310 / C127710311

* NEW PART

X AS REQUIRED

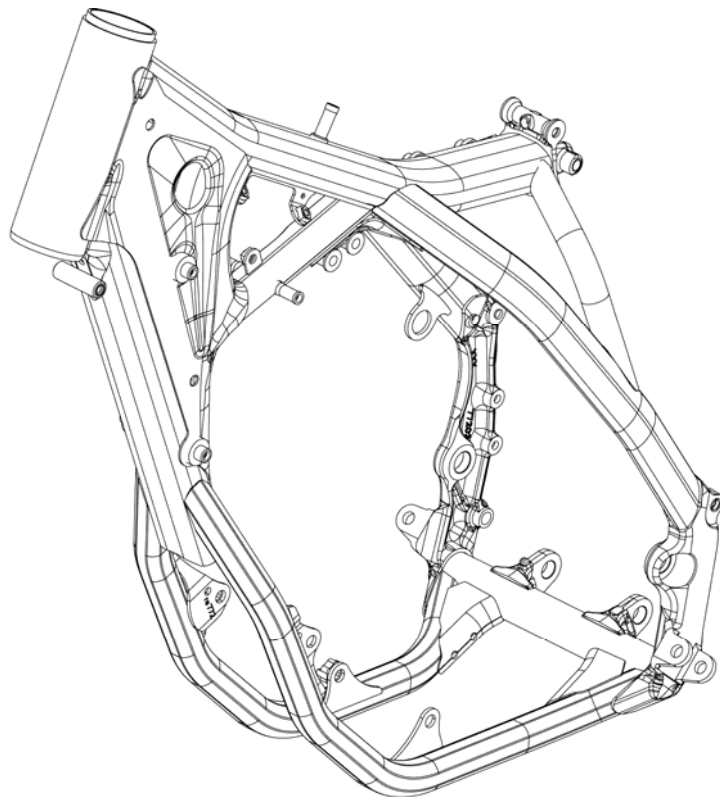
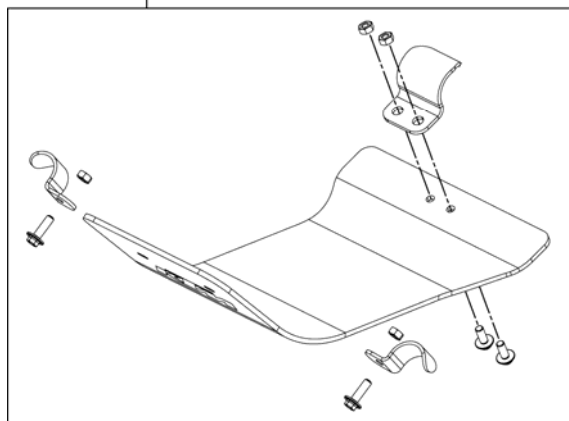


FIG	PART NUMBER	DESCRIPTION	QTY
1	77203990100	SKID PLATE ALU CPL.	1

①



117720330 / C127720330

* NEW PART

X AS REQUIRED

SHOCK ABSORBER

250 SX-F ROCZEN REPLICA 2012

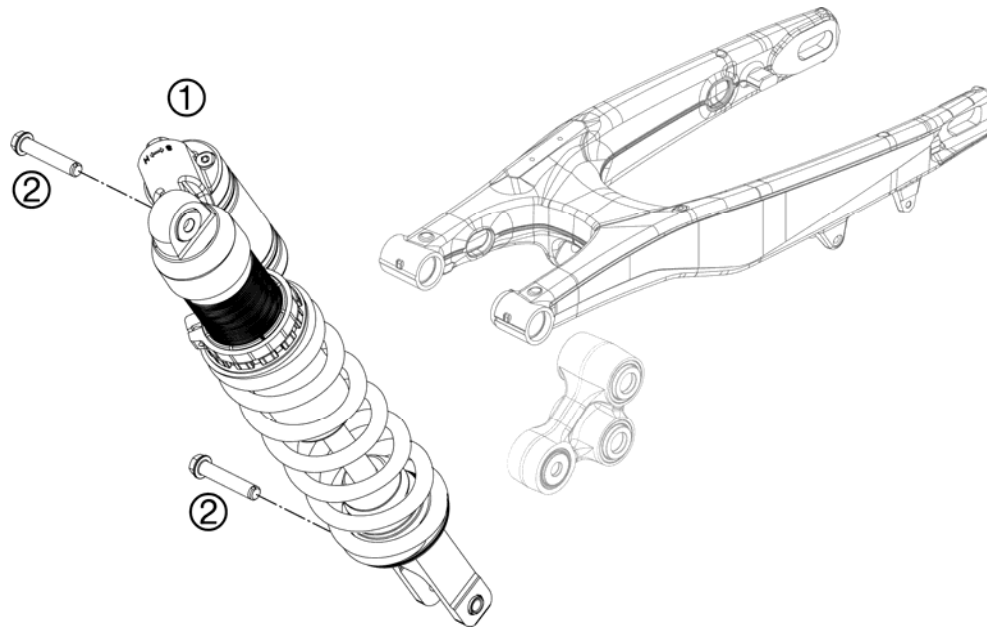


FIG	PART NUMBER	DESCRIPTION	QTY
1	18187L0501	MONOSHOCK LINK 250 SX/SX-F 12	1
2	77204089000	HH COLLAR SCREW M10X52 SW13	2

117710410 / C127710412

* NEW PART

X AS REQUIRED

SHOCK ABSORBER DISASSEMBLED

250 SX-F ROCZEN REPLICA 2012

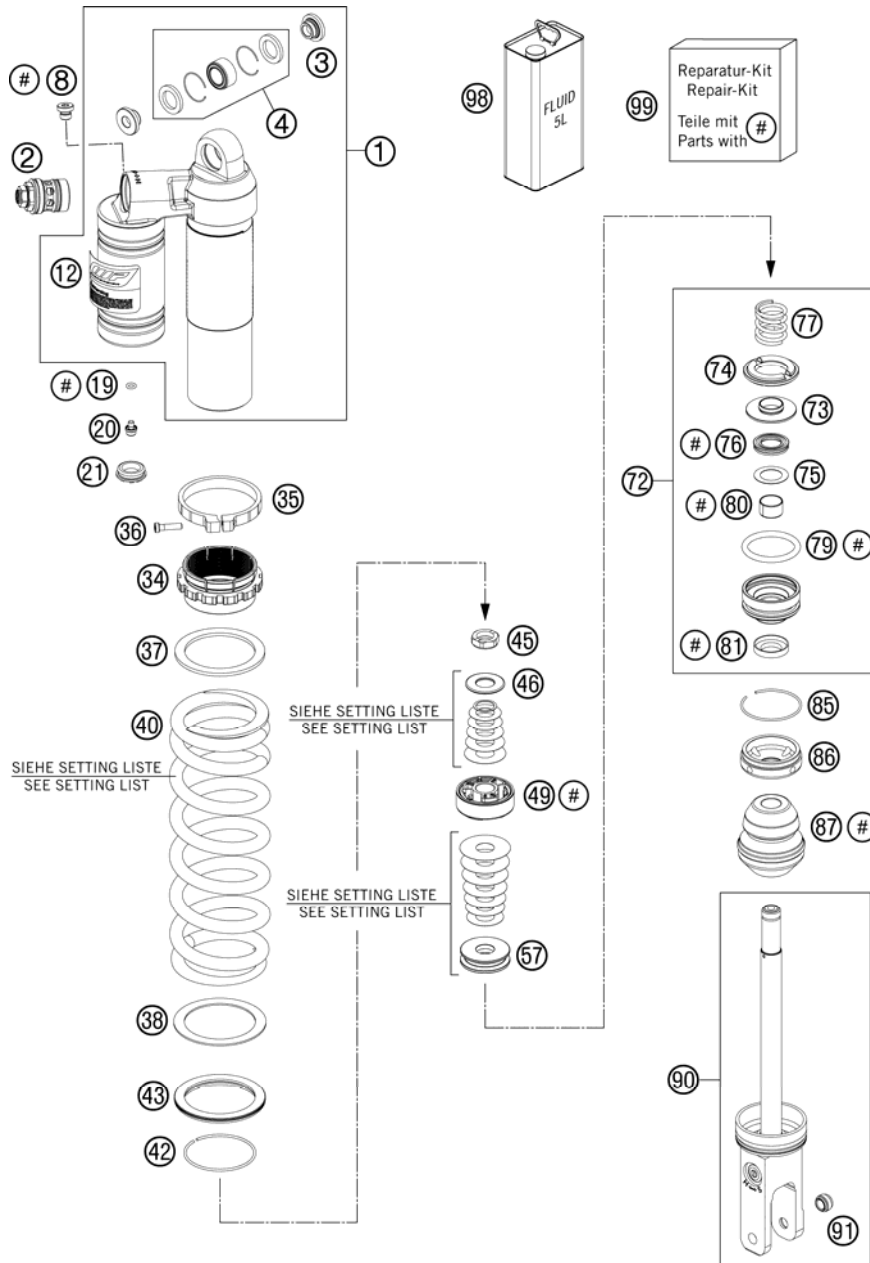


FIG	PART NUMBER	DESCRIPTION	QTY
1	50180944S1	MONOSHOCK UPPER PART CPL.	1
2	50180213S13	DCC-COMPR.DAMP.CONTROL CPL. 10	1
3	46180010	BUSH KGW 10X24	2
4	R12012	REP. KIT BEAR./SEAL UP. 07	1
8	50180095	BLEED PLUG R 1/8	1
12	52000087	STICKER WP MONOSHOCK	1
19	46810893	O-RING NBR 5,28X1,78	1
20	36120151	SCREW PLUG M5X6	1
21	46811208	RUBBER CAP "DO NOT OPEN"	1
34	50180938	ADJUSTING NUT PLASTIC	1
35	50180937	TENSIONING RING D64 H10	1
36	14460042	ALLENHEAD SCREW M5 L=20 STAINL	1
37	50180965	SPACER RING SPRING 61,3X78X3	1
38	50180793	SPACER RING ADJUSTING NUT	1
40	91210081S	SPRING 260 48 N/MM ORANGE	x
40	91210082S	SPRING 260 51N/MM D11,25 OR.	x
40	91210083S	SPRING 260 54N/MM D11,5 OR.	x
40	91210084S	SPRING 260 57N/MM D11,75 OR.	x
40	91210089S	SPRING 260 60 N/MM ORANGE	x
42	50180273	CIRCLIP 58,2X2	1
43	50180824	VALVE SPRING D80 CLOSED	1
45	50180141	PISTON ROD NUT M16X1	1
46	50180836	REBOUND DISC 16X34 T2 H0	x
49	50180786S	PISTON D50	1
57	50180801	REBOUND DISC D16X43 H8	x
57	50180961	REBOUND DISC D16X43 H12	x
72	50180603SA	ADAPTER D50 H28 CPL.	1
73	50180800	SPRING RING	1
74	50180798	REBOUND RUBBER	1
75	50180604	SHIM D29,75 X D19 X T0,4 08	1
76	50180605S	SEAL D18X30X5 08	1
77	50180780	REBOUND SPRING	1
79	50180103	O-RING 41X5	1
80	46180119	DU-BUSH 18X20X12	1
81	50180606	DUST SEAL 1828 08	1

125030430 / C127710430

* NEW PART

X AS REQUIRED

SHOCK ABSORBER DISASSEMBLED

250 SX-F ROCZEN REPLICA 2012

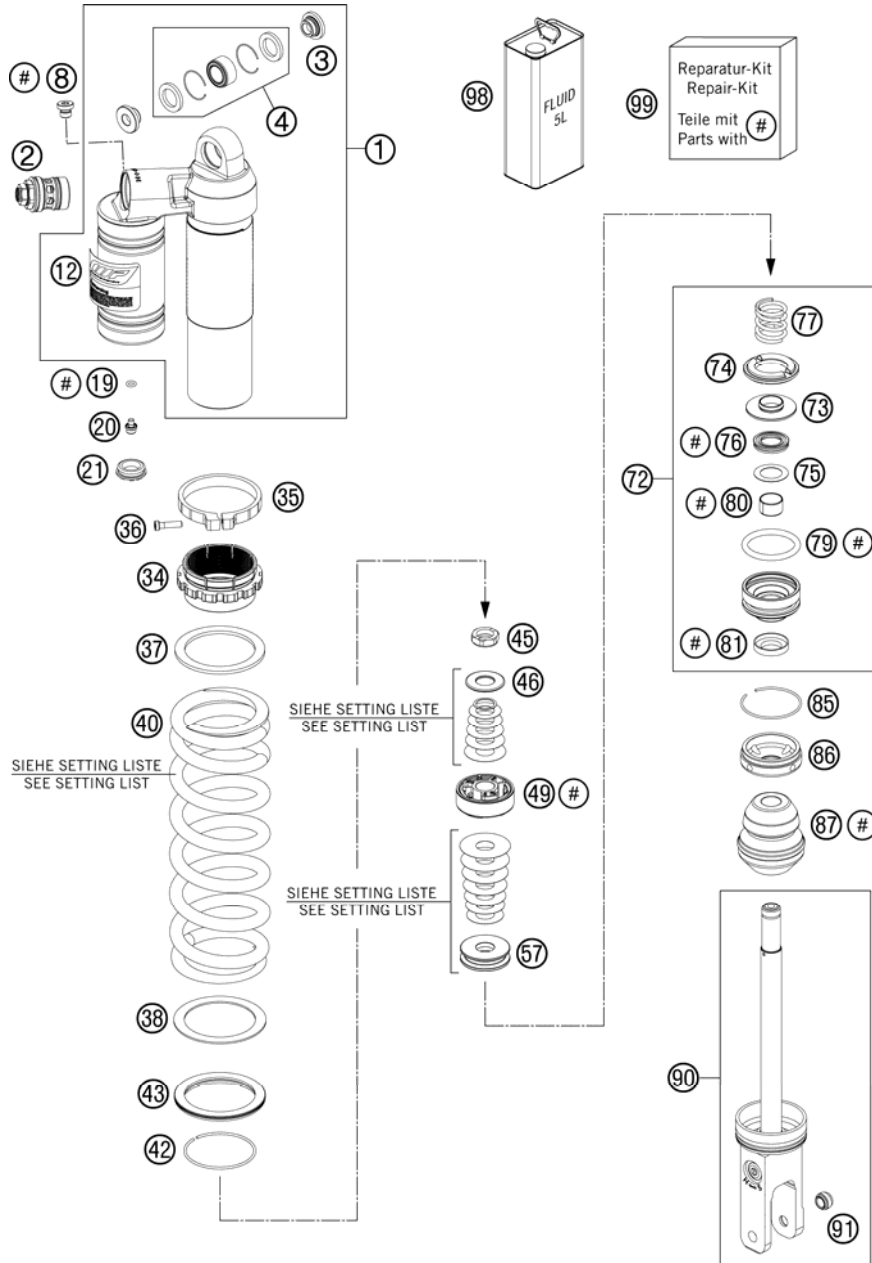


FIG	PART NUMBER	DESCRIPTION	QTY
85	50180126	CIRCLIP 53X1,75	1
86	50180626	RESERVOIR CAP D=50 H=10 09	1
87	50180775	BUMP RUBBER	1
90	50180773S1	MONOSHOCK BOTTOM PART CPL.	1
91	46811205	ADAPTOR-BUSH M10x1,50, D=15	1
98	50180751S1	SHOCK ABSORBER FLUID 5 LT	1
99	R12018	REPAIR-KIT	1

125030430 / C127710430

* NEW PART

X AS REQUIRED

PRO LEVER LINKING

250 SX-F ROCZEN REPLICA 2012

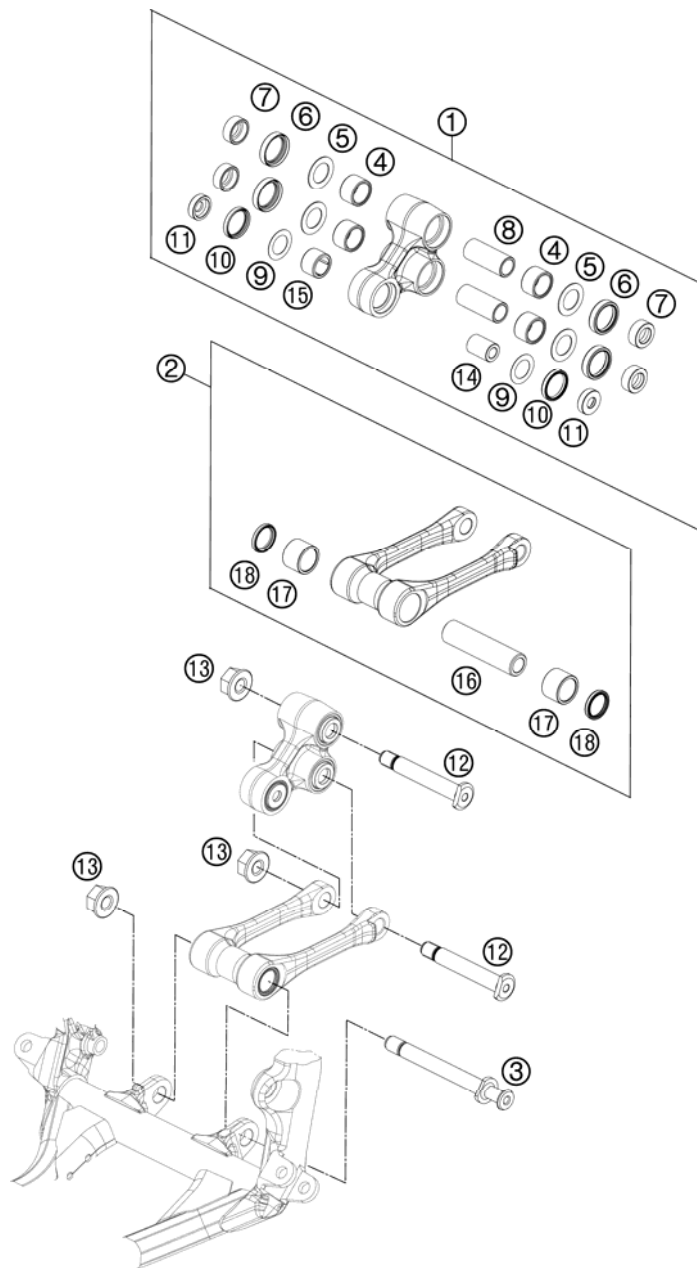


FIG	PART NUMBER	DESCRIPTION	QTY
1	7720408004401	TRIANGLE LEVER CPL.	1
2	7720408304401	PULL ROD CPL.	1
3	77204084000	PULL ROD ANCHOR BOLT	1
4	54603097000	NEEDLE BUSH HK 2016	4
5	59033080000	SHIM 20X32X1	4
6	0760253270	SHAFT SEAL RING 25X32X7	4
7	77204080030	BUCKET FOR SHAFT SEAL RING	4
8	54603081000	BUSHING SLEEVE 15 X 20 X 48	2
9	50180604	SHIM D29,75 X D19 X T0,4 08	2
10	0760243050	SHAFT SEAL RING 24X30X5	2
11	77204080020	BUCKET FOR SHAFT SEAL RING	2
12	77204085100	BOLT FOR CANTILEVER M14	2
13	54603015000	SELF LOCKING NUT M14X1,5 WS=19	3
14	77204080010	BEARING SLEEVE 10X18X25,5	1
15	0618182416	NEEDLE BUSH HN1816 RS 18/24/16	1
16	77204084010	BEARING SLEEVE	1
17	0618222820	NEEDLE BEARING HK2220 22X28X20	2
18	0760222841	SHAFT SEAL RING G22x28x4	2

117710460 / C127710460

* NEW PART

X AS REQUIRED

SWING ARM

250 SX-F ROCZEN REPLICA 2012

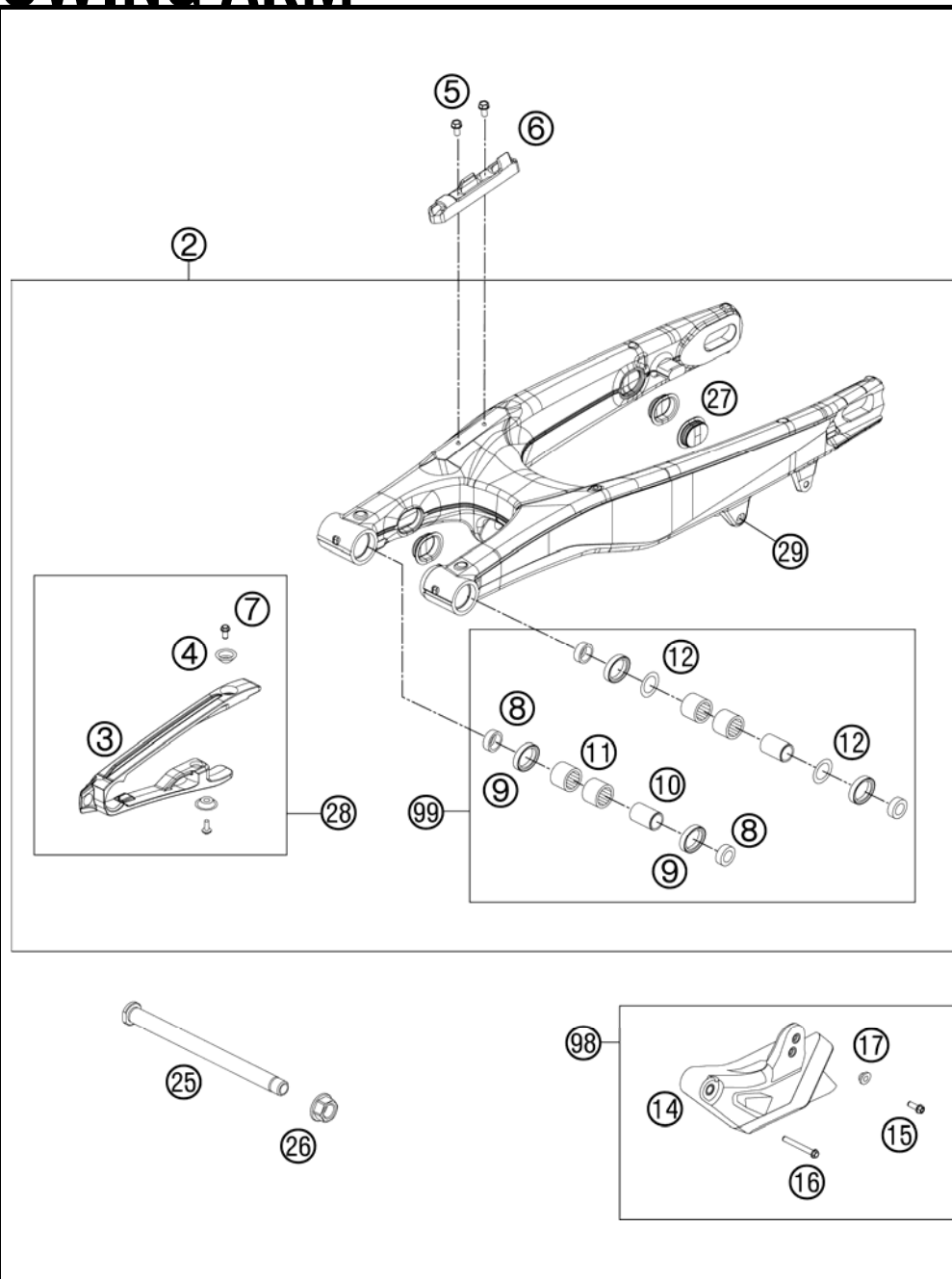


FIG	PART NUMBER	DESCRIPTION	QTY
2	77204030044	SWINGARM CPL. 11	1
3	77204066000	CHAIN SLIDING PROTECTION	1
4	77304066050	BUSHING F. CHAIN SLIDING PR.07	2
5	0009050106	EJOT SPIRAL SCREW SF M5X10-K	2
6	76504042000	BRAKE LINE GUIDE 08	1
7	59009062013	SPECIAL SCREW M6X13 WS=8 10.9	2
8	54804034000	BUCKET F. SHAFT SEAL RING 03	4
9	0760253270	SHAFT SEAL RING 25X32X7	4
10	54804032000	BUSHING SLEEVE F. SWING ARM 03	2
11	58033097000	NEEDLE BEARING HK 2216	4
12	54603036000	STOP DISK 22,2X31,7X1	2
14	77304070100	CHAIN GUIDE REAR CPL. 07	1
15	59009062019	SPECIAL SCREW M6X19 WS=8 10.9	1
16	0025060456	HH COLLAR SCREW M6X45 TX30	1
17	77304070130	BUSH. F. CHAIN FAIL. PROT. 07	1
25	77304037000	SWINGARM BOLT M16X1,5 07	1
26	54804038000	SELF LOCK.NUT M16X1,5 WS=19 03	1
27	77204041000	CLOSING COVER	4
28	77204066010	CHAIN GUARD CPL. 11-12	1
29	54603055051	PRESS IN NUT M6 STEEL ZINC	1
98	77304070210	CHAIN GUIDE KIT REAR 07-11	1
99	54804230210	SWINGARM REPAIR KIT 05-12	x

117710490 / C127710490

* NEW PART

X AS REQUIRED

EXHAUST SYSTEM

250 SX-F ROCZEN REPLICA 2012

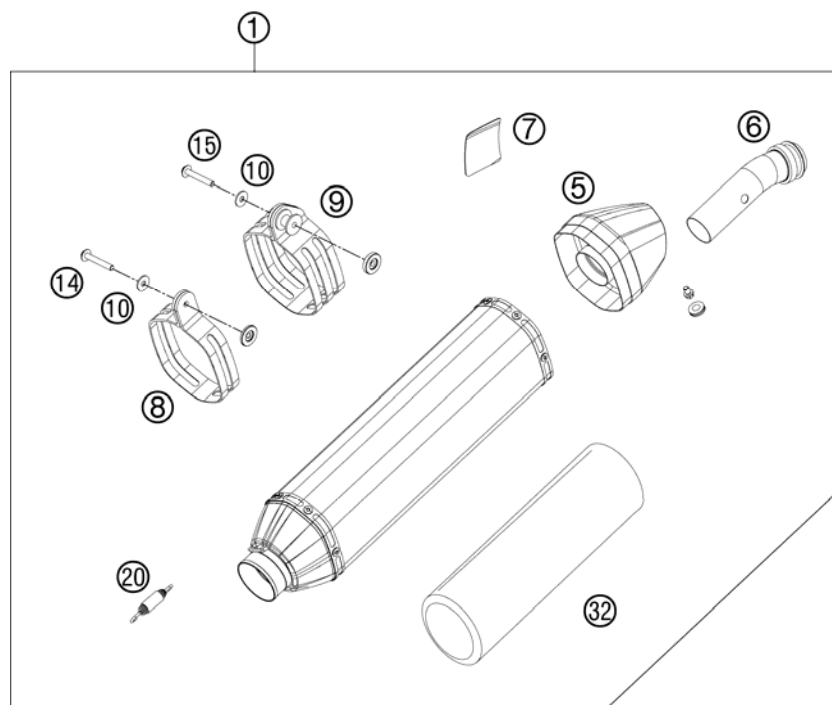
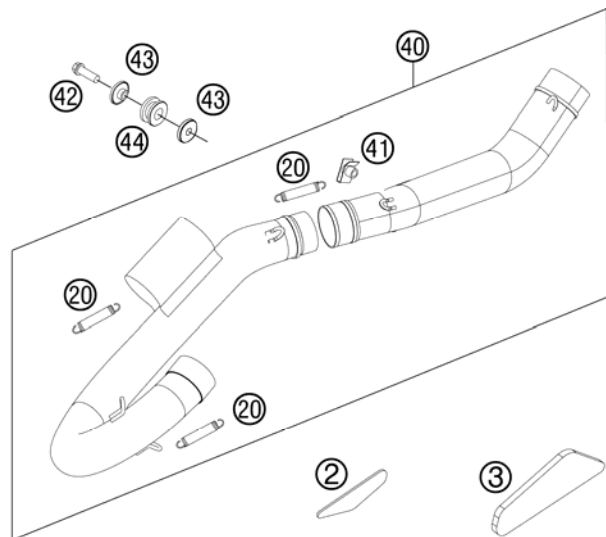


FIG	PART NUMBER	DESCRIPTION	QTY
1	SXS11250502	SILENCER TITAN	1
2	77308013050	THERMAL PROTECTION FOIL 07	1
3	77208013050	THERMAL PROTECTION FOIL	1
5	SXS07250504	ENDCAP CARBON	1
6	SXS11350508	INSERT	1
7	SXS02540509	STICKER AKRAP.60x57 F. CARBON	1
8	SXS11250505	SUPPORT CLAMP CARBON	1
9	SXS11250506	SUPPORT CLAMP CARBON	1
10	0125060003	WASHER DIN0125-A 6,4	2
14	0025060256	HH COLLAR SCREW M6X25 TX30	1
15	0025060506	HH COLLAR SCREW M6X50 TX30	1
20	57305016100	EXHAUST-SPRING SMALL W. RUBBER	4
32	SXS07250507	STUFFING YARN-KIT	1
40	77105507000	EXHAUST MANIFOLD 250 SX-F ROC	1
41	54603048000	RANGE CHANGE METAL NUT M8	1
42	0025080256	HH COLLAR SCREW M8X25 TX40	1
43	59405069000	BUSHING FOR EXHAUST SUPPORT 03	2
44	54605068000	EXHAUST BRACKET RUBBER BLACK	1

127710510 / C127710511

* NEW PART

X AS REQUIRED

AIR FILTER

250 SX-F ROCZEN REPLICA 2012

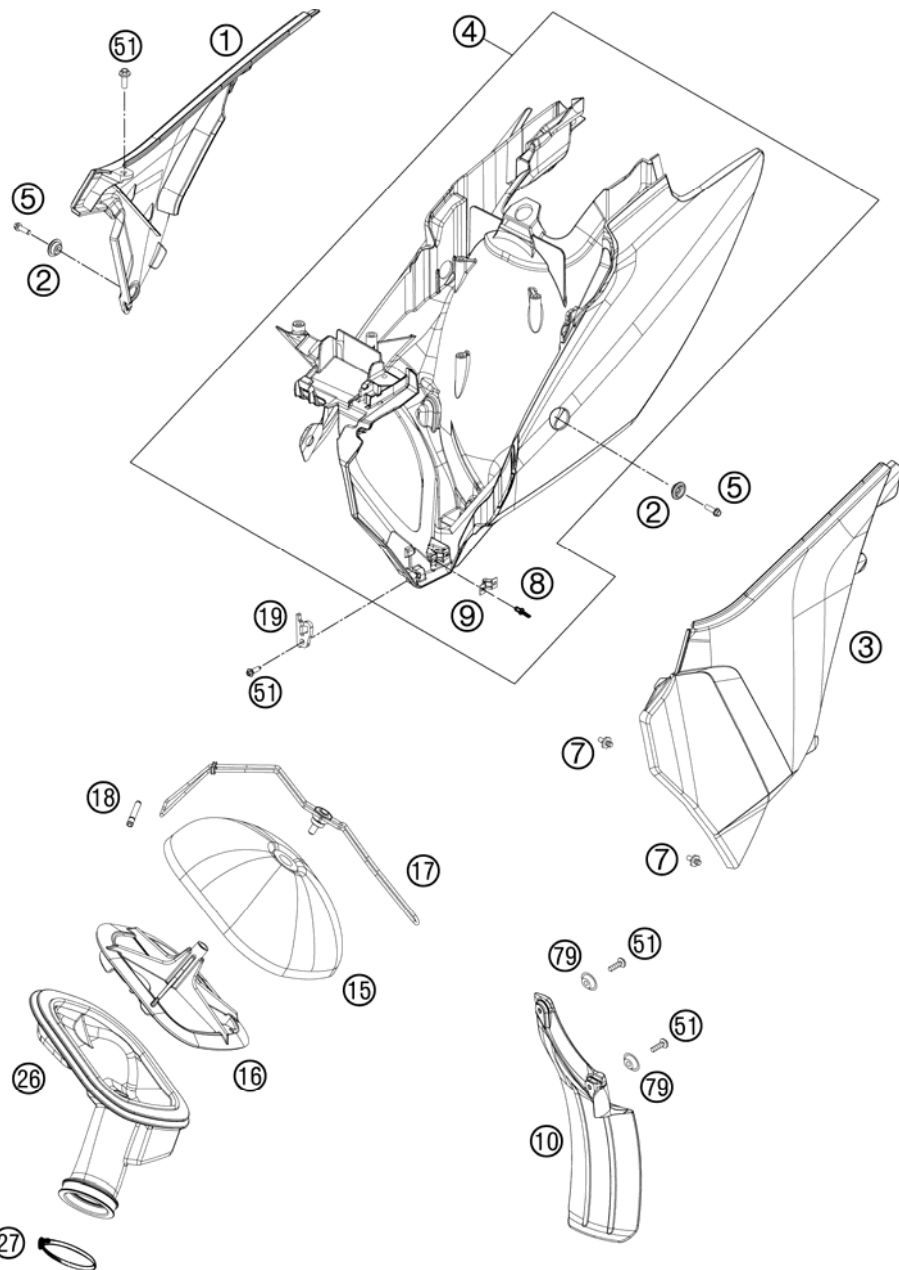


FIG	PART NUMBER	DESCRIPTION	QTY
1	7720600400004F	AIR BOX COVER R/S ROCZ./CAIR.	1
2	77308013010	COLLAR BUSH. F.REAR FENDER 07	2
3	7720600300004F	AIR BOX COVER L/S ROCZ./CAIR.	1
4	7720600104430	FILTER BOX CPL. BLACK 11	1
5	0025060206	HH COLLAR SCREW M6X20 TX30	2
7	54806008051	QUICK RELEASE-NIPPLE 03	2
8	54806108052	BLIND RIVET 3,3X9,7 GROOVED 04	4
9	54806008050	QUICK RELEASE-SPRING HANGER	2
10	77306010000	FENDER FOR FILTER BOX	1
15	77206015000	AIR FILTER	1
16	77206016000	FILTER CARRIER 11	1
17	77206017000	FILTER SUPPORT CPL. 11	1
18	77306018000	FILTER SUPPORT BUSH 07	1
19	77206019000	FASTEN. DEVICE FILTER S. SX 11	1
26	77106026000	AIRBOX RUBBER	1
27	78006027000	HOSE CLAMP 45-65MM	1
51	0017060204	EJOT PT SCREW K60X20 ALU WS=6	4
79	77304066050	BUSHING F. CHAIN SLIDING PR.07	2

117710610 / C127710611

* NEW PART

X AS REQUIRED

FUEL PUMP

250 SX-F ROCZEN REPLICA 2012

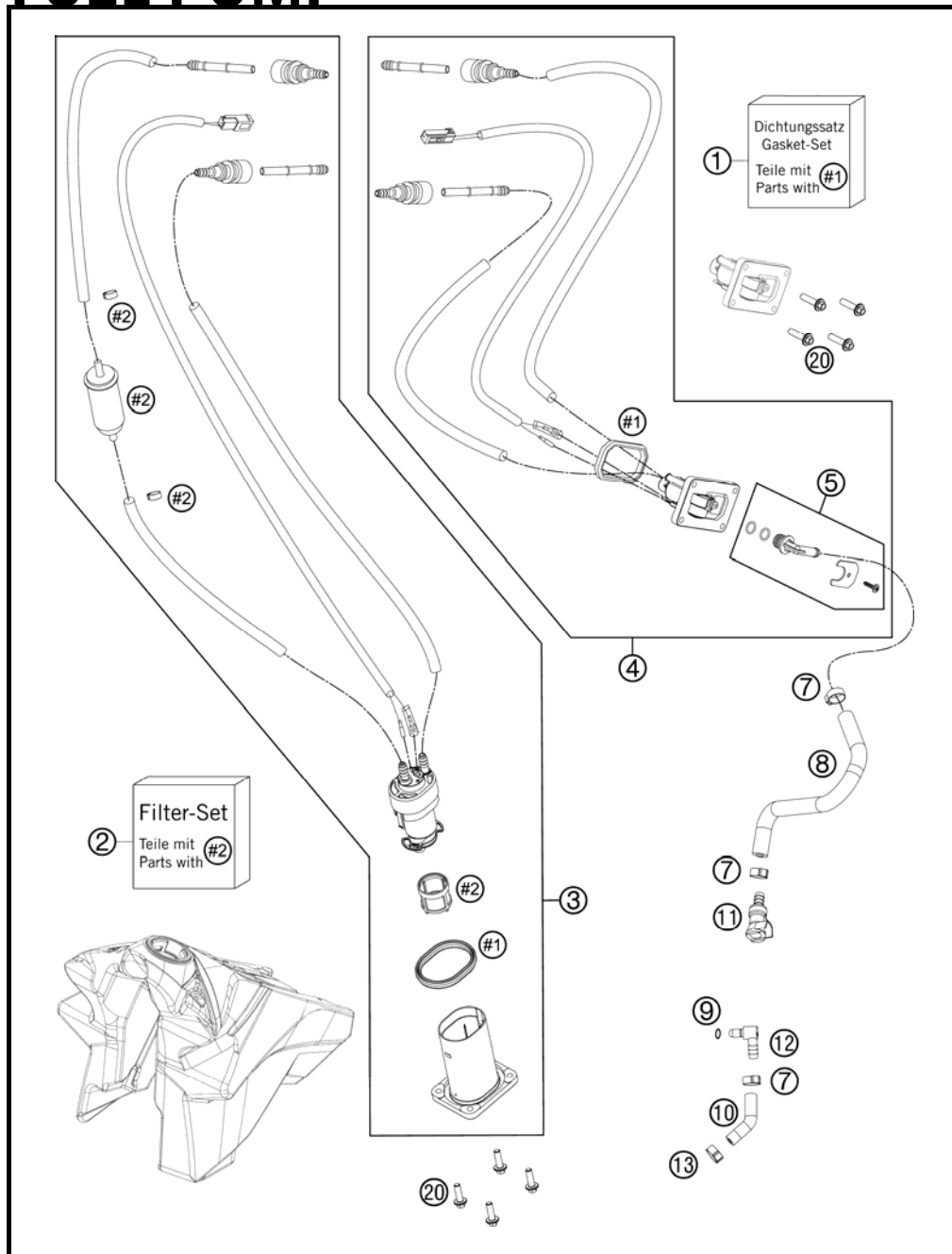


FIG	PART NUMBER	DESCRIPTION	QTY
1	75007089000	SEALINGS KIT	1
2	81207090000	FILTER KIT	1
3	81207088011	FUEL PUMP WITH FLANGE CPL.	1
4	75007088012	PRESSURE REGULATOR CPL. 07	1
5	75007092000	HYDRAULIC CONNECTOR CPL.	1
7	00050157706	VARIABLE ONE-EAR CLAMP 15,7MM	3
8	77207116000	FUEL HOSE TANK	1
9	58507012000	O-RING VITON F. PLUG CPC 05	1
10	77207016000	FUEL HOSE DKK	1
11	5850701050030	CLUTCH CPC BLACK 05	1
12	7720701000030	PLUG CPC	1
13	77507017000	CLAMP ABA 14MM	1
20	0017060253	EJOT PT SCREW K60X25-Z SW=6	8

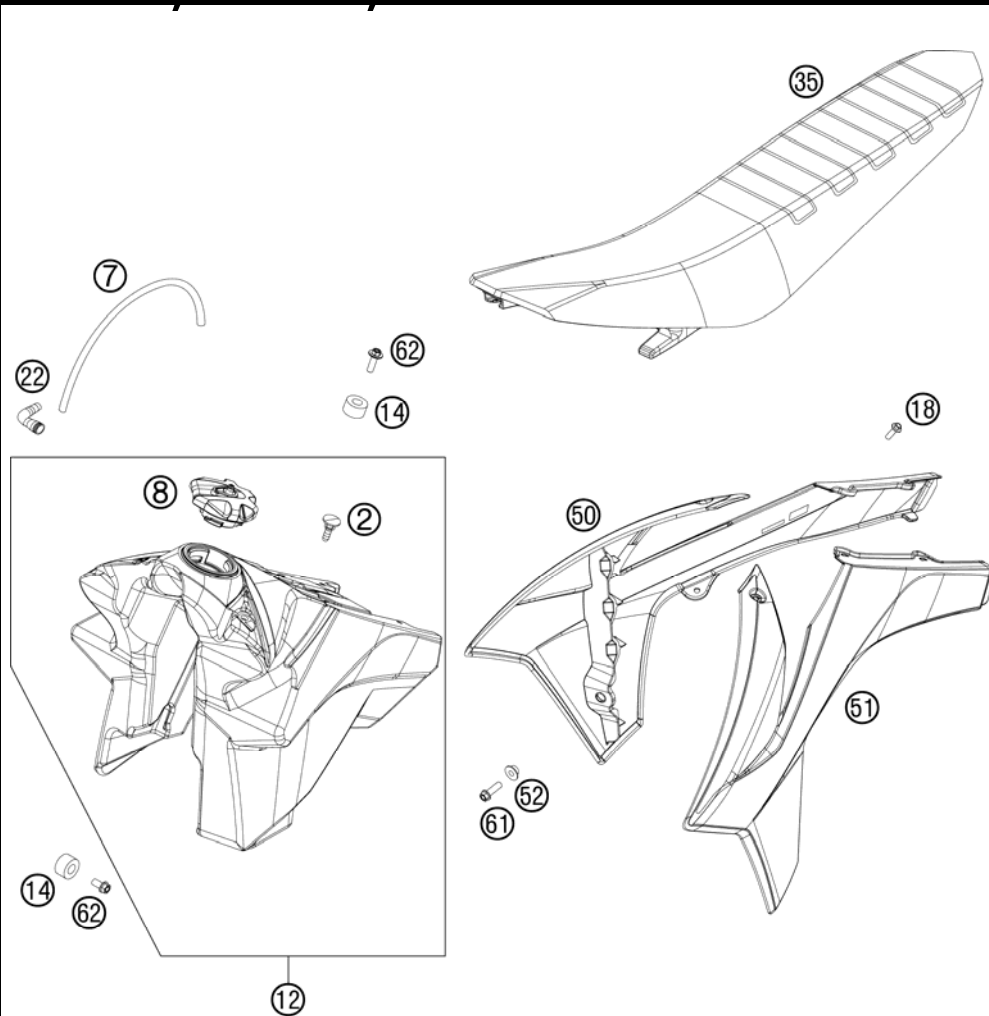
117710730 / C127710730

* NEW PART

X AS REQUIRED

TANK, SEAT, COVER

250 SX-F ROCZEN REPLICA 2012



Nur gegen Austausch erhältlich!
 Lieferung erfolgt nur nach Rückgabe des beschädigten Aufklebers
 an die länderspezifische Kontaktperson!

Only for replacement!
 Delivery only follows after returning the damaged sticker
 to your After Sales contact person!

FIG	PART NUMBER	DESCRIPTION	QTY
2	50307011000	SCREW SEAT FASTENING D=6X23/18	1
7	78007000270	PVC-HOSE 5,6X10X270MM	1
8	78007008044X4	TANK PLUG ORANGE/BLACK	1
12	7720701304430	FUEL TANK CPL. 7,5L EFI SX 11	1
14	50307014000	TANK ROLLER 12X26X12 '98	3
18	0017060204	EJOT PT SCREW K60X20 ALU WS=6	8
22	51030022000	ANGLE PIECE 90 DEGREE M10X1	1
35*	77207040100	SEAT "CAMEL "	1
50*	7720805100004F	SPOILER R/S ROCZE./CAIRO.12 WITH DECAL	1
51*	7720805000004F	SPOILER L/S ROCZE./CAIRO. 12 WITH DECAL	1
52	50308052000	BUSH FOR SPOILER 6X11X16X5 MM	2
61	0025060206	HH COLLAR SCREW M6X20 TX30	2
62	0025060126	HH COLLAR SCREW M6X12 TX30	3

117710711 / C127720711

* NEW PART

X AS REQUIRED

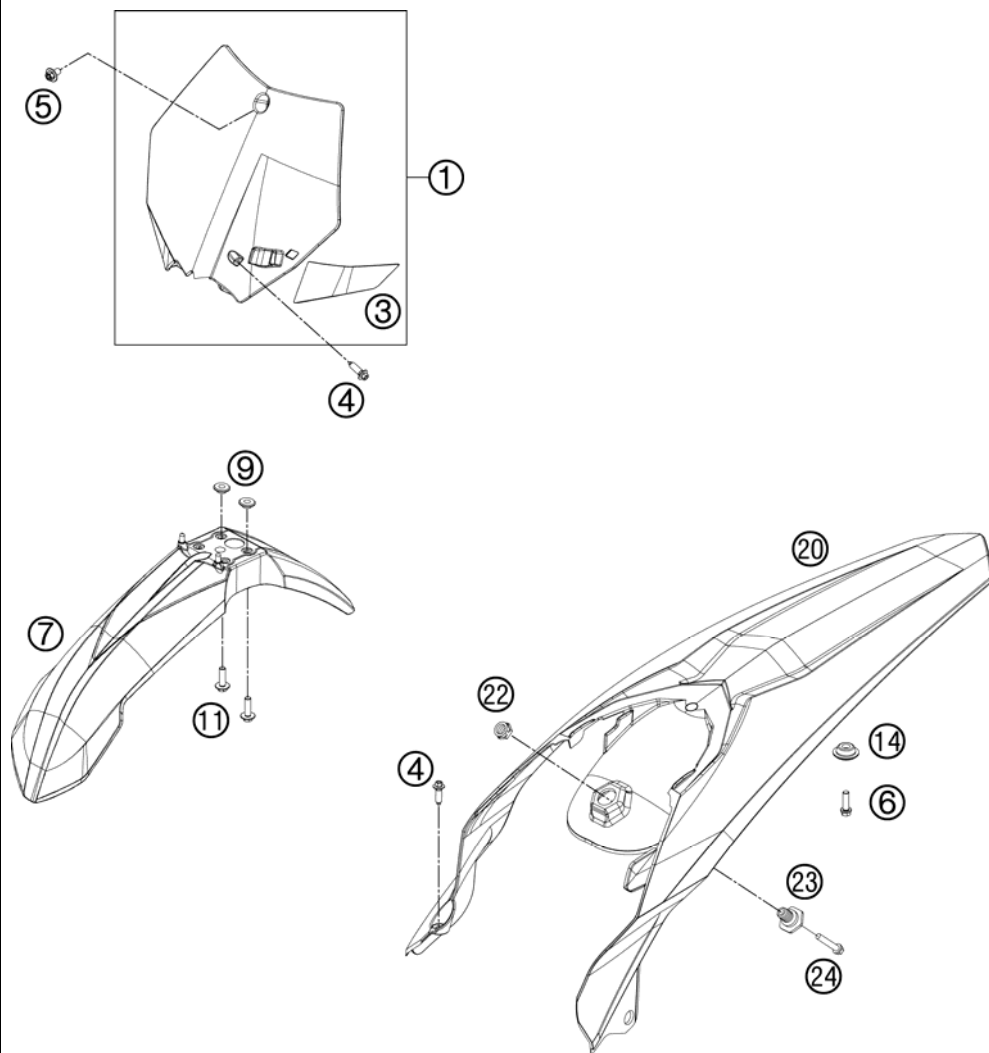
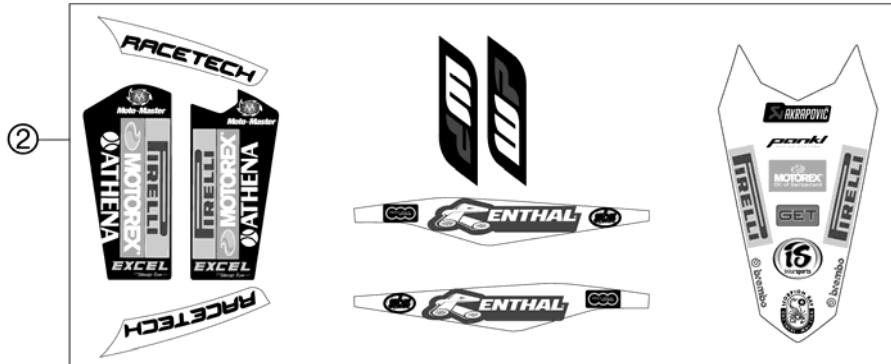


FIG	PART NUMBER	DESCRIPTION	QTY
1	7730800704428	START NUMBER PLATE CPL. WHITE	1
3	7730802200030	BRAKE HOSE GUIDE BLACK 08	1
4	0017060204	EJOT PT SCREW K60X20 ALU WS=6	2
5	0024060106	HH COLLAR SCREW M6X10 TX30	1
6	0025050166	HH COLLAR SCREW M5X16 TX30	2
7	7730801000004	FRONT FENDER 07	1
9	54808020000	SPACER BUSHING 03	4
11	0024060206	HH COLLAR SCREW M6X20 TX30	4
14	77308013010	COLLAR BUSH. F.REAR FENDER 07	2
20	7720801300028	REAR FENDER SX WHITE 11	1
22	50314057050	COLLAR NUT M12X1/WS17 H=5MM	1
23	54807048000	BUSHING FOR SEAT FASTENING 03	1
24	0025060256	HH COLLAR SCREW M6X25 TX30	1

117710810 / C127710810

* NEW PART

X AS REQUIRED



③

Nur gegen Austausch erhältlich!
Lieferung erfolgt nur nach Rückgabe des beschädigten Aufklebers
an die länderspezifische Kontaktperson!

Only for replacement!
Delivery only follows after returning the damaged sticker
to your After Sales contact person!

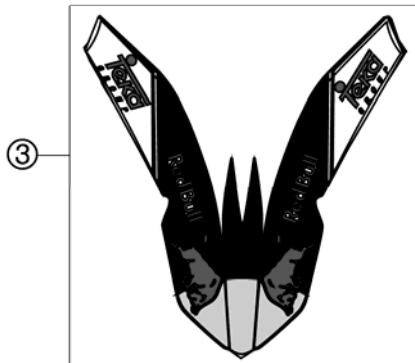


FIG	PART NUMBER	DESCRIPTION	QTY
1*	77108199000	STICKER-SET ROCZEN 12	1
2*	77108099200	STICKER-SET ROCZEN/CAIROLI 12	1
3*	77308198400	STICKER-FENDER ROCZ/CAIROLI 12	1

127710831 / C127710831

* NEW PART

X AS REQUIRED

FRONT WHEEL

250 SX-F ROCZEN REPLICA 2012

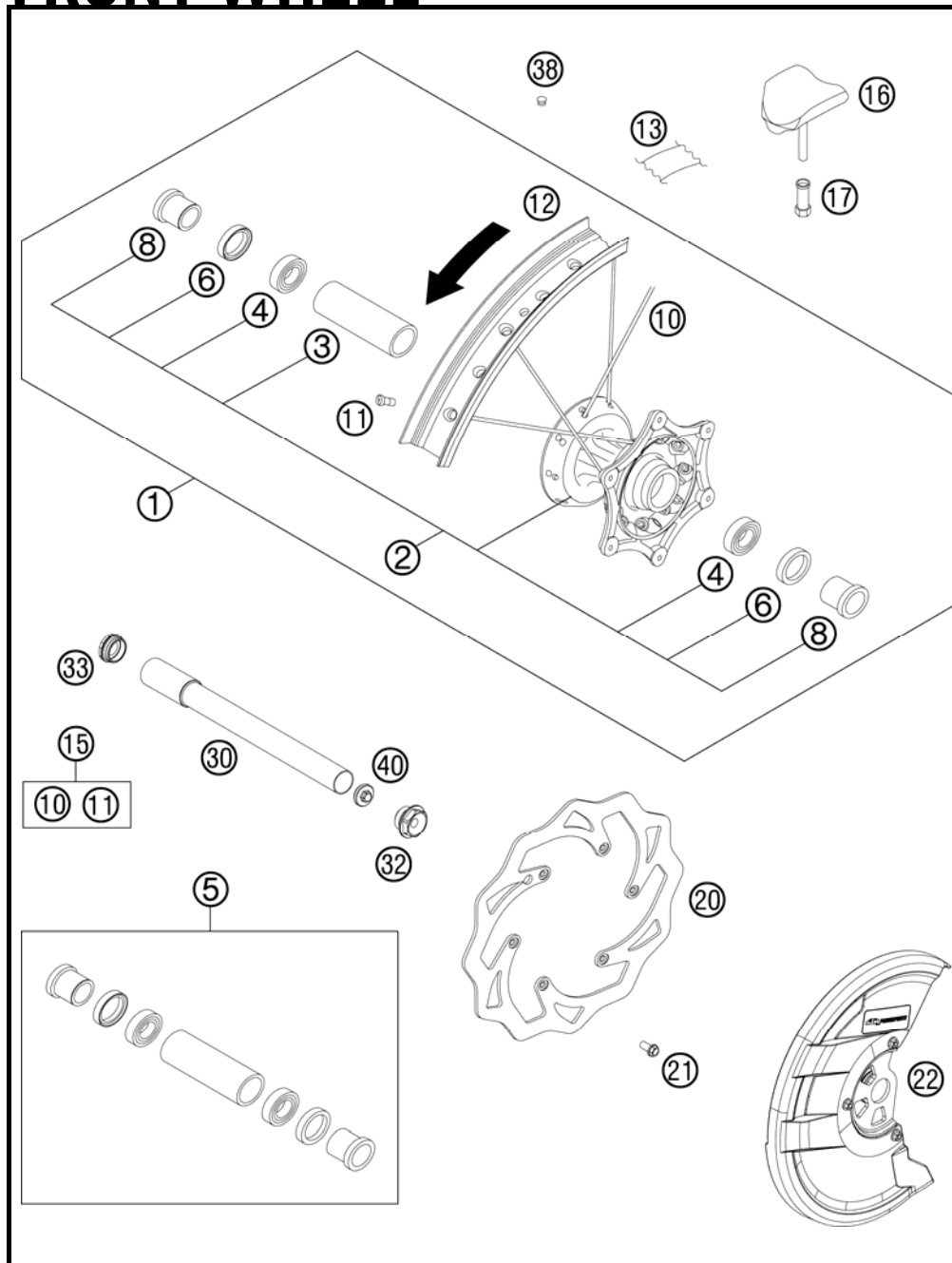


FIG	PART NUMBER	DESCRIPTION	QTY
1	7710900104430	FRONTWHEEL CPL.1,6X21EXCEL 11	1
2	78009010144	FRONT WHEEL HUB CPL.	1
3	54809011000	BEA.SPACERTUBE 35X2 L=79,4 03	1
4	0625069068	GR.BALL BEAR.6906 DDU2CG23S6NM	2
5	78009015000	FRONT WHEEL REP. KIT	1
6	0760354771	SHAFT SEAL RING 35X47X7 TC	2
8	78009012000	SPACER BUSHING F. FR. WHEEL 08	2
10	77109071226	SPOKE M4,5x226-21" 11	36
11	77109072000	SPOKE NIPPLE M4,5 AL 11	36
12	7730907000030	RIM 1,6"X21" EXCEL SXS 08	1
13	50309073000	RIM BAND 21"	1
15	00050000916	SPOKE KIT FRONT "21"	x
16	51009100100	RIM LOCK VM1 (1,60")	1
17	50310090050	NUT FOR WHEEL HOLDER '96	1
20	77309060000	BRAKE DISC FRONT 260	1
21	59009062013	SPECIAL SCREW M6X13 WS=8 10.9	6
22	7800906100030	BRAKE DISC COVER CPL.	1
30	77309081000	WHEEL SPIN.FR. D=26 M24x1,5 07	1
32	54809082000	SPINDLE SCREW M24X1,5 WS=27 03	1
33	54809081050	PLUG BUSHING WS=27 03	1
38	55003135000	PLUG FOR RIM	x
40	54809081070	AUXILIARY SCREW FRONT 06	1

117710911 / C117720911

* NEW PART

X AS REQUIRED

REAR WHEEL

250 SX-F ROCZEN REPLICA 2012

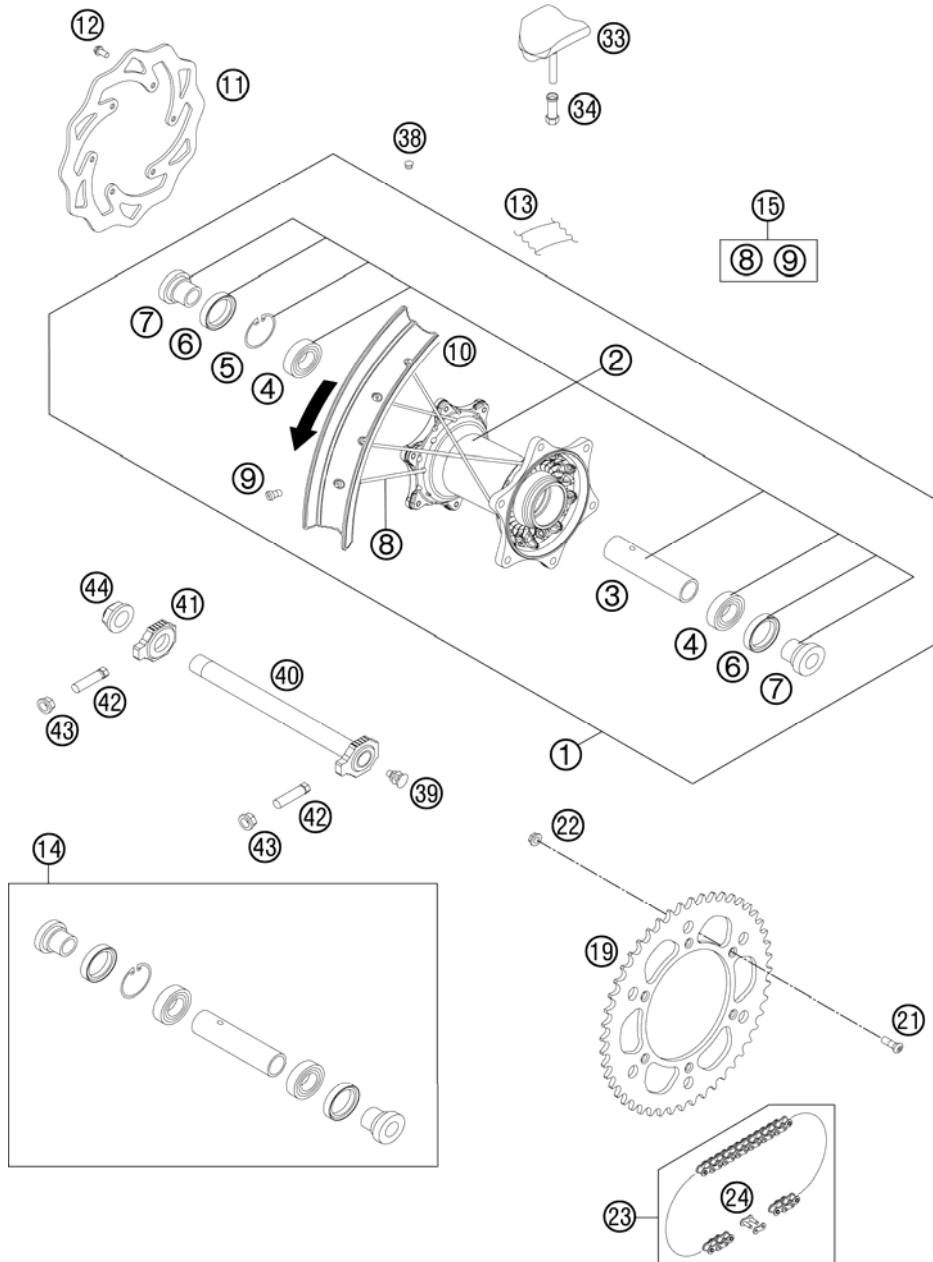


FIG	PART NUMBER	DESCRIPTION	QTY
1	7711000104430	REARWHEEL CPL.2,15X19 EXCEL 11	1
2	78010010144	REAR WHEEL HUB CPL.	1
3	59010011000	BUSHING SPACER TUBE 121,5MM 01	1
4	0625060058	GR.BALL BEAR.6005 DDU2CG23S6NM	2
5	0472047175	CIRCLIP DIN0472-47X1,75	1
6	0760324771	SHAFT SEAL RING 32X47X7 BSL	2
7	78010016000	BUSHING FOR HUB 08	2
8	77110071205	SPOKE M4,5x205-19" 11	36
9	77109072000	SPOKE NIPPLE M4,5 AL 11	36
10	7731007000030	RIM 2,15"X19" EXCEL SXS 08	1
11	77310060000	BRAKE DISC REAR 220	1
12	59009062013	SPECIAL SCREW M6X13 WS=8 10.9	6
13	50310073200	RIM BAND 18" AND 19"	1
14	78010015000	REAR WHEEL REP. KIT	1
15	00050000917	SPOKE KIT REAR "19"	x
19	5901005104204	REAR SPROCKET 42T ORANGE	x
19	5901005104504	REAR SPROCKET 45T ORANGE	x
19	5901005104804	REAR SPROCKET 48T ORANGE	1
19	5901005104904	REAR SPROCKET 49T ORANGE	x
19	5901005105004	REAR SPROCKET 50T ORANGE	x
19	5901005105104	REAR SPROCKET 51T ORANGE	x
19	5901005105204	REAR SPROCKET 52T ORANGE	x
21	0019080266S	COUNTER-SUNK SCREW ISA45 M8X26	6
22	06923080003	HEXAGON NUT DIN EN1661 M8 SW13	6
23	50310165118	CHAIN 5/8X1/4" MX	1
24	50310166000	CONNECTING LINK F. 50310165118	1
33	54010100100	RIM LOCK VM3 (2.15")	1
34	50310090050	NUT FOR WHEEL HOLDER '96	1
38	55003135000	PLUG FOR RIM	x
39	50210086000	COVERING CAP SFL16	x
40	77310085044	WHEEL SPINDLE RE. CPL.265MM 07	1
41	50310084000	CHAIN TENSIONER R/S 2000	1
42	50304040100	SCREW M10X1,25X50 WS=10	2
43	58414030000	HH COLLAR NUT M10X1,25 WS=13	2
44	50310099000	HEXAGON NUT M20X1,5 '98	1

117711011 / C127711011

* NEW PART

X AS REQUIRED

WIRING HARNESS

250 SX-F ROCZEN REPLICA 2012

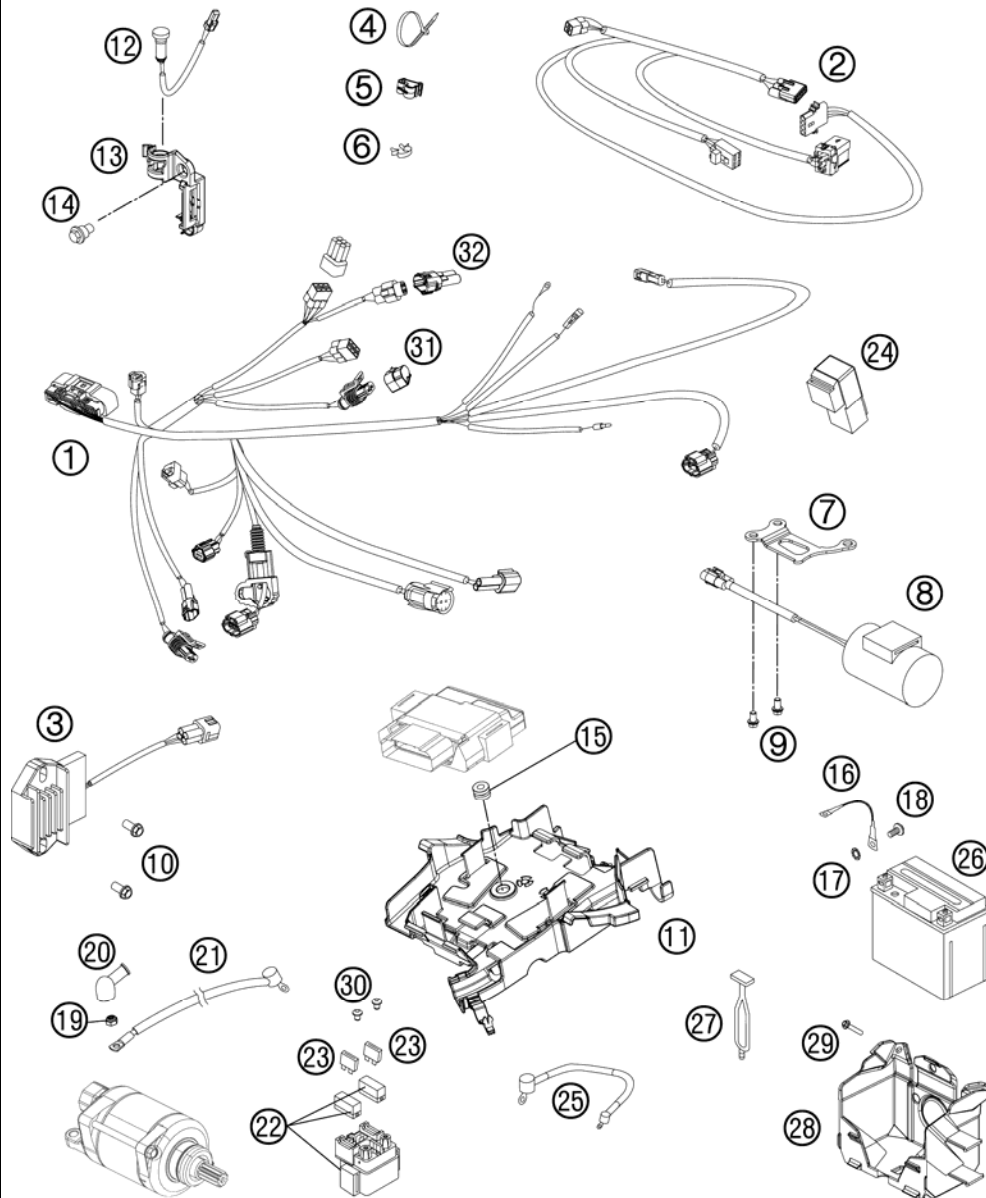


FIG	PART NUMBER	DESCRIPTION	QTY
1	77111075100	WIRING HARNESS EFI	1
2	77111085000	WIRING HARNESS E-START	1
3	77211034000	VOLTAGE REGULATOR 09	1
4	44011076140	CABLE TIE 140/2,5MM BLACK	x
4	44011076200	CABLE TIE 200/3,6MM BLACK	x
4	44011076305	CABLE TIE 300/4,8MM BLACK	x
5	83013026000	CABLE GUIDE	2
6	57013072100	WIRING HOLDER 16MM	x
7	77211036000	RETAINING PLATE CONDENSATOR	1
8	77111035000	CONDENSATOR	1
9	0025060106	HH COLLAR SCREW M6X10 TX30	2
10	0025060206	HH COLLAR SCREW M6X20 TX30	2
11	77211094000	ELECTRIC BOX	1
12	81214083000	INDICATOR LIGHT LED YELLOW FI	1
13	77214098000	HOLDER INDICATOR LIGHT SX	1
14	59001092050	SPECIAL SCREW M6X12,5 WS=8	1
15	55009086000	PLUG SFL13	1
16	58411097100	GROUND CABLE D=6MM L=140MM '97	1
17	58411098100	CONTACT WASHER M6 VSV-K6	1
18	0009050106	EJOT SPIRAL SCREW SF M5X10-K	1
19	0985060003	SELF LOCK. NUT DIN0985-M 6	1
20	58440099000	PROTECTION CAP F. STARTER ENG.	1
21	58411059100	STARTERCABLE 700 MM '97	1
22	58211058000	STARTER RELAY 12V '99	1
23	58011109120	FUSE 20 A	2
24	61111057000	RELAY CM1A-R-12V-H80 07	1
25	58711086000	WIRING HARNESS BATTERY DUKE'99	1
26	77311053000	BATTERY 12V 3AH YTX4L-BS	1
27	50303018000	RUBBER L=145MM	1
28	77211055000	BATTERY BOX	1
29	0017060203	EJOT PT SCREW K60X20 WS=6	3
30	0902060083	AH OVAL SCREW ISO 7380 M 6X8	2
31	77211010050	DUMMY PLUG MAPSELECTSWITCH	1
32	69011040000	END PLUG CAN-BUS 08	1

127711110 / C127711111

* NEW PART

X AS REQUIRED

HAND BRAKE CYLINDER

250 SX-F ROCZEN REPLICA 2012

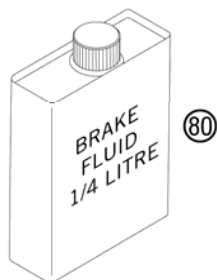
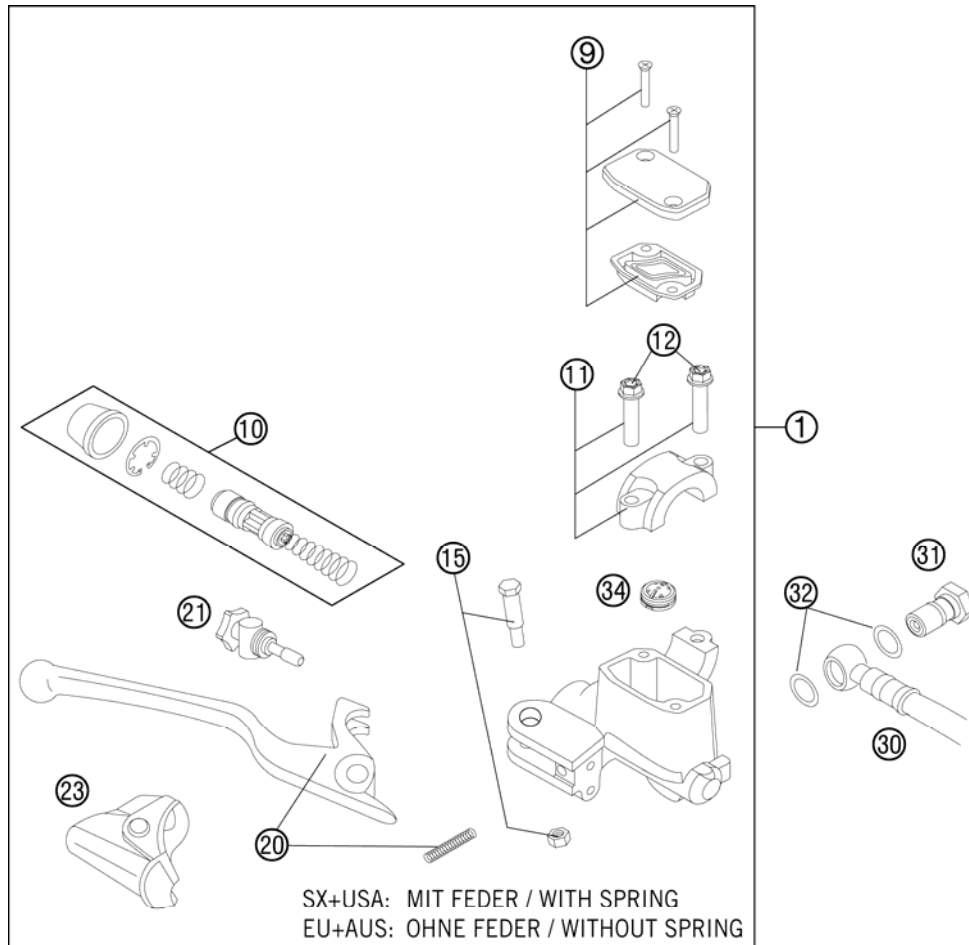


FIG	PART NUMBER	DESCRIPTION	QTY
1	77013001044	HAND BRAKE CYLINDER CPL. SX 09	1
9	50313003000	HANDBRAKE CYL. COVER CPL. NATURE	1
10	54813008300	REP. SET PISTON D=9MM 2009	1
11	50313005000	CLAMP CPL. NATURE	1
12	0025060256	HH COLLAR SCREW M6X25 TX30	2
15	50313006100	LEVER SCREW CPL. 2001	1
20	54813002200	HAND BRAKE LEVER + SPRING 2009	1
21	54813007300	ADJUSTING SCREW CPL. SX 2009	1
23	50313004000	PROTECTION CAP HAND BRAKE CYL.	1
30	59013010000	BRAKEHO. FRONT 1235MM 2000	1
31	54813020100	HOLLOW SCREW BLACK M10X1X19	1
32	0603100141	COPPER GASKET DIN7603-10X14X1	2
34	54802051000	VALVE	1
80	00062030000	BRAKE FLUID DOT5.1 0,25L	1

117711310 / C127711310

* NEW PART

X AS REQUIRED

REAR BRAKE CONTROL

250 SX-F ROCZEN REPLICA 2012

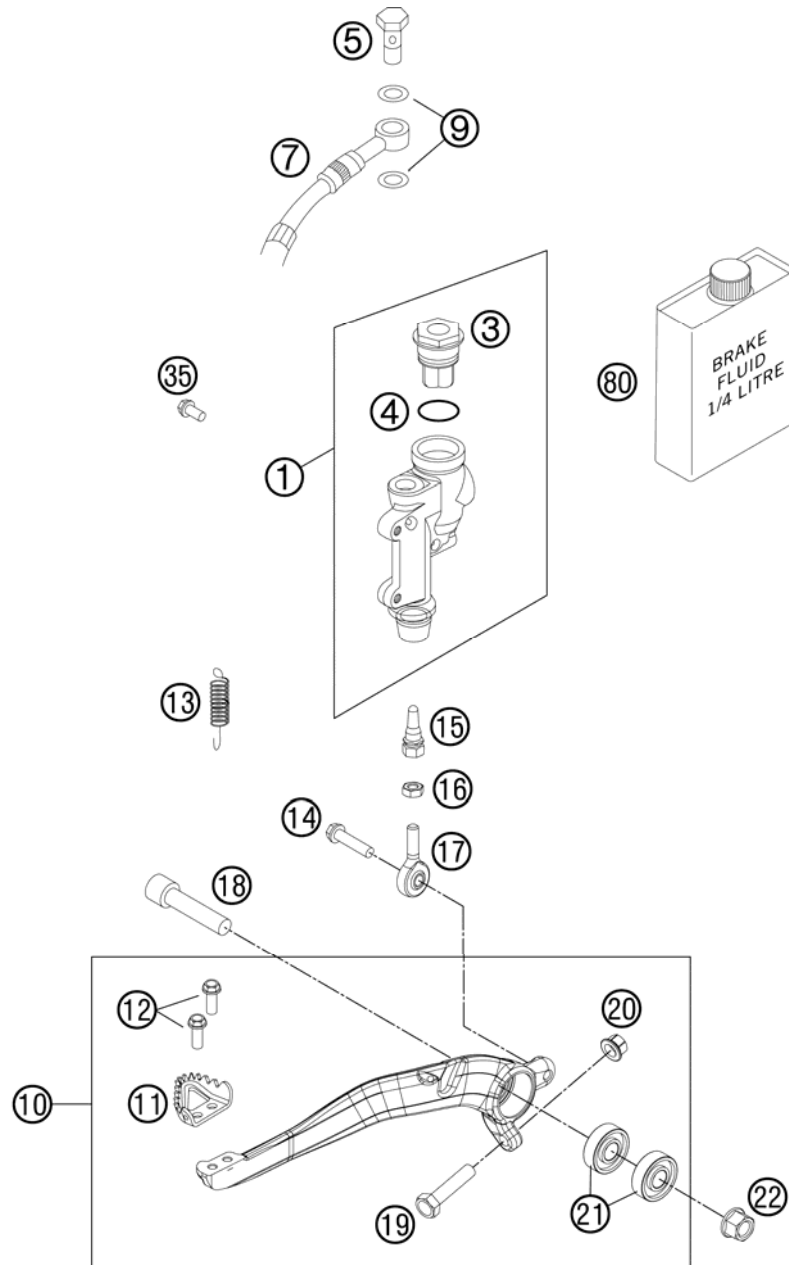


FIG	PART NUMBER	DESCRIPTION	QTY
1*	77013060044	REAR BRAKE CYLINDER CPL.SX 09	1
3	54813062100	REAR BRAKE CYL. COVER CPL. 04	1
4	54813063000	FOOT-BRAKE CYL. GASKET SX 03	1
5	54813020100	HOLLOW SCREW BLACK M10X1X19	1
7	77213070000	BRAKE HOSE REAR XXXMM 11	1
9	0603100141	COPPER GASKET DIN7603-10X14X1	2
10	77213050044	FOOT BRAKE LEVER CPL.	1
11	54813051000	STEP PLATE FOR BRAKE LEVER	1
12	0025050126	HH COLLAR SCREW M5X12 TX30	2
13	54603062000	RETURN SPRING FOR BRAKE LEVER	1
14	0025060206S	HH COLLAR SCREW M6X20 TX30	1
15	54813056000	PUSH ROD L=28MM 03	1
16	0985060003	SELF LOCK. NUT DIN0985-M 6	1
17	54813055000	SWIVEL HEAD KA6 03	1
18	0032100406S	AH-COLLAR SCREW M10X40 ISA45	1
19	59001037000	SPECIAL SCREW M8X26 WS=10	1
20	46030045000	COLLAR NUT M8 WS=10	1
21	0625060002	BALL BEARING SKF 6000-2RS1	2
22	54630044000	COLLAR NUT M10 WS=13	1
35	0025060126	HH COLLAR SCREW M6X12 TX30	2
80	00062030000	BRAKE FLUID DOT5.1 0,25L	1

127711330 / C127711330

* NEW PART

X AS REQUIRED

BRAKE CALIPER FRONT

250 SX-F ROCZEN REPLICA 2012

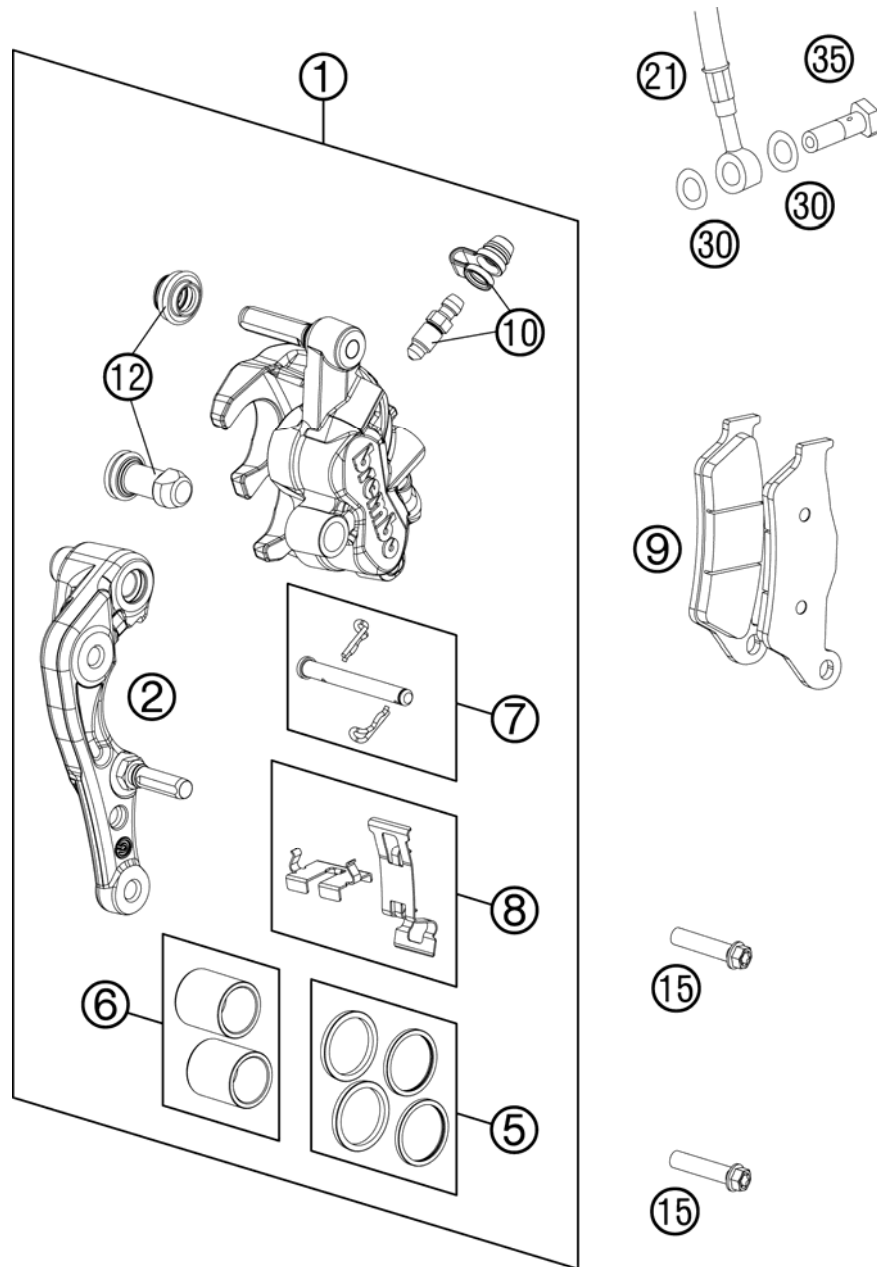


FIG	PART NUMBER	DESCRIPTION	QTY
1	7701301500101	CALIPER NAT. WITHOUT PADS	1
2	77013014000	BRAKE CALIPER SUPPORT FRONT 09	1
5	77013021000	REP. KIT SEALS 24MM	1
6	77013019000	REP. KIT PISTON 24MM	1
7	77013017000	BOLT CPL. 09	1
8	77013018000	RETAINING PLATE SET BREMBO	1
9	77013020000	BRAKE PADS TOYO B153	1
10	61013020100	BLEEDER SCREW WITH CAP	1
12	54613218000	CUP SET SHORT	1
15	0025080356S	HH COLLAR SCREW M8X35 TX40	2
21	59013010000	BRAKEHO. FRONT 1235MM 2000	1
30	0603100141	COPPER GASKET DIN7603-10X14X1	2
35	50213025000	HOLLOW SCREW M10X1X19	1

117711360 / C127711360

* NEW PART

X AS REQUIRED

BRAKE CALIPER REAR

250 SX-F ROCZEN REPLICA 2012

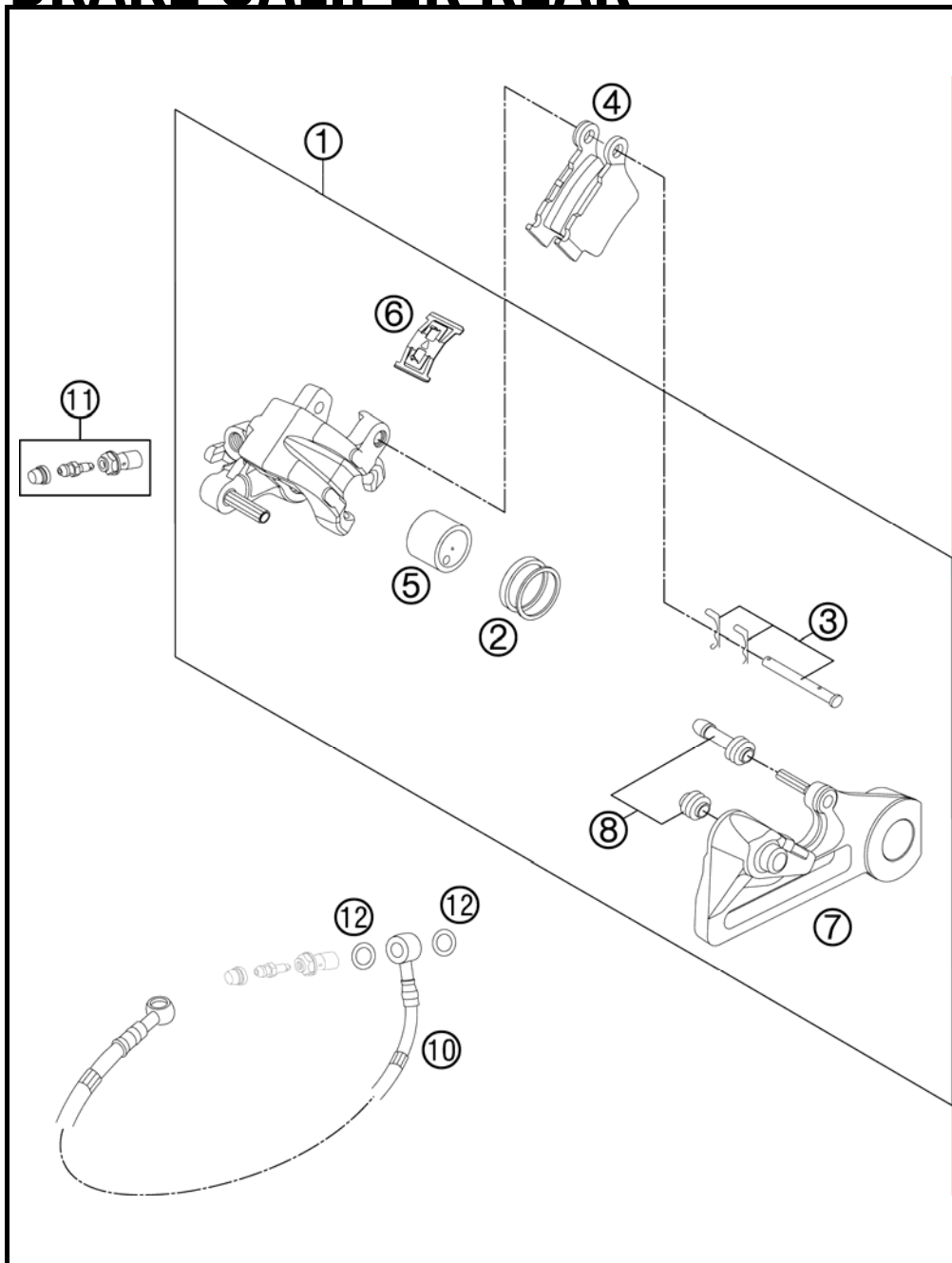


FIG	PART NUMBER	DESCRIPTION	QTY
1	54813080101	BRAKE CAL. RE. - WITHOUT PADS	1
2	50313081200	REPAIR KIT SEALING RINGS 26MM	1
3	54813082000	BOLT SET FOR BRAKE CALIPER 03	1
4	54813090300	BRAKE PAD SET REAR TOYO	1
5	54813083000	BRAKE PISTON 26MM 2003	1
6	54813018000	RETAINING SPRING SET 2003	1
7	54813075000	BRAKE CALIPER SUPPORT REAR	1
8	54613218000	CUP SET SHORT	1
10*	77213070000	BRAKE HOSE REAR XXXMM 11	1
11	62513020000	BLEEDER SCREW CPL. 05	1
12	0603100141	COPPER GASKET DIN7603-10X14X1	2

117711390 / C127711390

* NEW PART

X AS REQUIRED

ACCESORIES KIT

250 SX-F ROCZEN REPLICA 2012

①
OHNE ABBILDUNG
WITHOUT ILLUSTRATION

①
TECHNISCHE DOKUMENTATION
TECHNICAL DOCUMENTATION
DOCUMENTACION TECNICA
DOCUMENTATION TECHNIQUE
NOTE TECNICHE

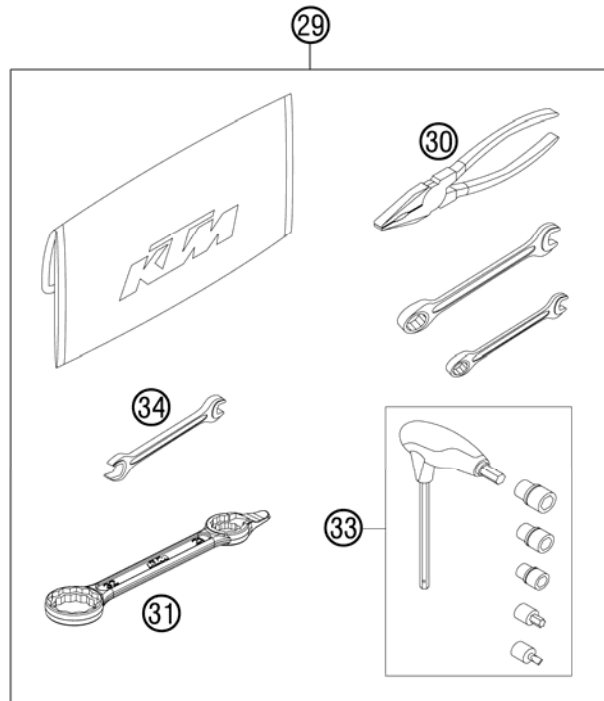
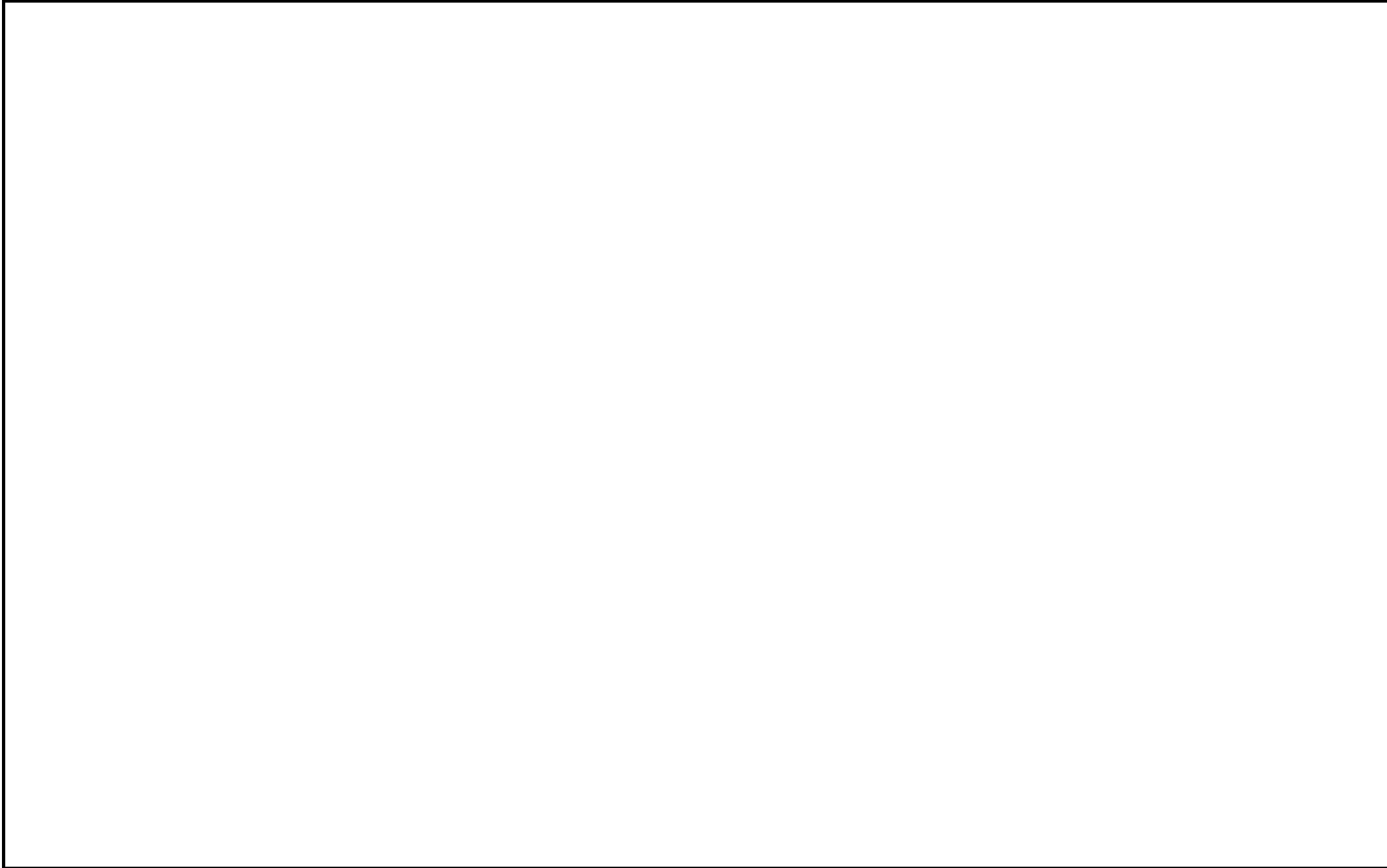


FIG	PART NUMBER	DESCRIPTION	QTY
0	00062030019	AIR FILTER OIL 100ML	1
0	00063004202	PRINT LABEL 60X51 MM	1
0	0025050126	HH COLLAR SCREW M5X12 TX30	2
0	312305	DOCUMENTS BAG 2006	1
0	312313	KTM BALLPOINT PEN ORANGE	1
0	3210039	* CUSTOMER WELCOME LETTER	1
0	3212352DE/GB	KTM CAMPS FOLDER 2011	1
0	3212361DE/GB	PP OFFROAD FOLDER 2012	1
0	3212365GB	POWER WEAR TEASER 2012	1
0	5030314013390	FOOTPEG L.+R. CPL. 03	1
0	58411098100	CONTACT WASHER M6 VSV-K6	2
0	77029072000	SPARK PLUG KEY 250 SX-F	1
0	77102021000	GRIP-SET RENTHAL G092 FULL W.	1
0	77108098800	STICKER SET SWING ARM/ FORK WP	1
0	77203094000	PLASTIC FRAME PROTECTION SET	1
0	77203990100	SKID PLATE ALU CPL.	1
0	77302002000	BAR PAD	1
0	77311053000	BATTERY 12V 3AH YTX4L-BS	1
0	7800906100030	BRAKE DISC COVER CPL.	1
0	7810297900004	HANDGUARDS CPL.LE+RI ORANGE 12	1
0	81212016000	WASH CAP SET	1
0	SXS05450600	HOURMETER	1
0	SXS11540100	FACTORY START	1
1	3211813EN	OWN. MAN.250SX-F REPLICA 2012	1
29	54829099100	TOOL KIT 2012	1
30	53012028200	GRIP ORANGE B&F	1
31	50329080100	WRENCH SW=17/21/27/32 B&F	1
33	60029070300	T-WRENCH WS=6/8/10/TX45/SK4X1	1
34	50329072000	SPOKE-SPANNER WS 7/10	1

125482000 / C127712002

* NEW PART

X AS REQUIRED









KTM-Sportmotorcycle AG
A-5230 Mattighofen
www.ktm.at

KTM Group Partner



3CF8101L1EN



Art.Nr.: 3CF8101L1EN 1/2012