

# OWNER'S MANUAL 2010



**250 EXC-F EU**

**250 EXC-F AUS**

**250 EXC-F SIX DAYS EU**

**250 XCF-W ZA**

**250 SX-F EU**

**250 SX-F USA**

Art. no. 3211465en

**KTM**



Congratulations on your decision to purchase a KTM motorcycle. You are now the owner of a state-of-the-art sports motorcycle that will give you enormous pleasure if you service and maintain it accordingly.

We wish you a lot of enjoyment riding this vehicle!

Enter the serial numbers of your vehicle below.

Chassis number (☛ p. 10)	Dealer's stamp
Engine number (☛ p. 10)	
Key number (EXC-F, EXC-F SIX DAYS) (☛ p. 10)	

The owner's manual corresponded to the latest state of this series at the time of printing. Slight deviations resulting from continuing development and design of our motorcycles can however not be completely excluded.

All specifications are non-binding. KTM Sportmotorcycle AG specifically reserves the right to modify or delete technical specifications, prices, colors, forms, materials, services, designs, equipment, etc., without prior notice and without specifying reasons, to adapt these to local conditions, as well as to stop production of a particular model without prior notice. KTM accepts no liability for delivery options, deviations from illustrations and descriptions, as well as misprints and other errors. The models portrayed partly contain special equipment that does not belong to the regular scope of delivery.

© 2009 by KTM-Sportmotorcycle AG, Mattighofen Austria

All rights reserved

Reproduction, even in part, is permitted only with the express written permission of the copyright owner.



ISO 9001(12 100 6061)










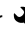
























According to the international quality management standard ISO 9001, KTM uses quality assurance processes that lead to the maximum possible quality of the products.

Issued by: TÜV Management Service

REG.NO. 12 100 6061

KTM-Sportmotorcycle AG  
5230 Mattighofen, Austria





MEANS OF REPRESENTATION .....	5	Running-in the engine .....	27
IMPORTANT INFORMATION .....	6	Preparing vehicle for arduous riding conditions.....	27
VIEW OF VEHICLE.....	8	Preparing for riding on dry sand .....	27
View of the vehicle from the left front (example) .....	8	Preparing for riding on wet sand.....	28
View of the vehicle from the right rear (example) .....	9	Preparing for riding on wet and muddy surfaces.....	29
LOCATION OF SERIAL NUMBERS .....	10	Preparing for rides at high temperature and slow speed .....	30
Chassis number.....	10	Preparing for rides at low temperatures or in snow .....	30
Type label.....	10	RIDING INSTRUCTIONS .....	31
Key number (EXC-F, EXC-F SIX DAYS).....	10	Checks before putting into operation .....	31
Engine number.....	10	Starting.....	31
Fork part number.....	10	Starting up .....	32
Shock absorber part number .....	11	Shifting, riding.....	32
CONTROLS .....	12	Braking .....	32
Clutch lever .....	12	Stopping, parking .....	33
Hand brake lever .....	12	Refueling.....	33
Short circuit button (XCF-W, SX-F).....	12	SERVICE SCHEDULE (EXC-F, EXC-F SIX DAYS, XCF-W).....	35
Short circuit button (EXC-F, EXC-F SIX DAYS).....	12	Important maintenance work to be carried out by an	
Emergency OFF switch (EXC-F AUS) .....	12	authorized KTM workshop .....	35
Electric starter button (EXC-F EU, EXC-F SIX DAYS,		Important maintenance work to be carried out by an	
XCF-W).....	13	authorized KTM workshop (as additional order).....	36
Electric starter button (EXC-F AUS).....	13	SERVICE SCHEDULE (SX-F).....	37
Light switch (EXC-F, EXC-F SIX DAYS) .....	13	Important maintenance work to be carried out by an	
Horn button (EXC-F, EXC-F SIX DAYS).....	13	authorized KTM workshop .....	37
Turn signal switch (EXC-F, EXC-F SIX DAYS).....	13	Important maintenance work to be carried out by an	
Overview of indicator lamps (EXC-F, EXC-F SIX DAYS) .....	14	authorized KTM workshop (as additional order).....	38
CONTROLS (EXC-F, EXC-F SIX DAYS, XCF-W).....	15	SERVICE SCHEDULE FOR RIDER.....	39
Speedometer.....	15	Important checks and maintenance work to be carried	
Speedometer activation and test .....	15	out by the rider .....	39
Tripmaster switch .....	15	MAINTENANCE WORK ON CHASSIS AND ENGINE.....	40
Setting kilometers or miles .....	15	Jacking up the motorcycle.....	40
Setting the clock .....	16	Removing the motorcycle from the work stand.....	40
Adjusting the speedometer functions.....	16	Checking the basic suspension setting with the rider's	
Querying the lap time .....	17	weight .....	40
SPEED display mode (speed).....	17	Compression damping of shock absorber.....	40
Display mode SPEED/H (service hours).....	17	Adjusting high-speed compression damping of the shock	
Display mode SPEED/CLK (clock) .....	18	absorber .....	40
Display mode SPEED/LAP (lap time) .....	18	Adjusting the low-speed compression damping of the	
Display mode SPEED/ODO (odometer).....	18	shock absorber .....	41
Display mode SPEED/TR1 (trip master 1) .....	18	Adjusting the rebound damping of the shock absorber.....	42
Display mode SPEED/TR2 (trip master 2) .....	19	Measuring rear wheel sag unloaded .....	42
Display mode SPEED/A1 (average speed 1) .....	19	Checking the static sag of the shock absorber .....	43
Display mode SPEED/A2 (average speed 2).....	19	Checking the riding sag of the shock absorber .....	43
Display mode SPEED/S1 (stop watch 1) .....	20	Adjusting the spring preload of the shock absorber 🖐 .....	43
Display mode SPEED/S2 (stop watch 2) .....	20	Adjusting the riding sag 🖐.....	44
CONTROLS .....	22	Removing the shock absorber 🖐.....	45
Fuel tap (EXC-F, EXC-F SIX DAYS, XCF-W).....	22	Installing the shock absorber 🖐 .....	45
Fuel tap (SX-F).....	22	Checking basic setting of fork .....	45
Opening filler cap.....	22	Adjusting the compression damping of the fork .....	45
Closing filler cap .....	23	Adjusting the rebound damping of the fork.....	46
Choke (EXC-F EU, EXC-F SIX DAYS).....	23	Adjusting the spring preload of the fork (EXC-F,	
Choke (XCF-W, SX-F, EXC-F AUS) .....	23	EXC-F SIX DAYS, XCF-W) .....	47
Shift lever.....	23	Bleeding fork legs.....	48
Foot brake lever.....	24	Cleaning the dust boots of the fork legs .....	48
Kick starter .....	24	Loosening the fork protector .....	48
Side stand (EXC-F, EXC-F SIX DAYS, XCF-W) .....	24	Positioning the fork protection .....	48
Plug-in stand (SX-F) .....	24	Checking steering head bearing play.....	49
Steering lock (EXC-F, EXC-F SIX DAYS) .....	25	Adjusting play of steering head bearing 🖐 (EXC-F EU,	
Locking the steering (EXC-F, EXC-F SIX DAYS).....	25	EXC-F AUS, XCF-W ZA) .....	49
Unlocking the steering (EXC-F, EXC-F SIX DAYS).....	25	Adjusting the play of the steering head bearing 🖐 (SX-F,	
GENERAL TIPS AND HINTS ON PUTTING INTO		250 EXC-F SIX DAYS EU) .....	50
OPERATION.....	26	Removing the fork legs.....	50
Advice on first use.....	26	Installing the fork legs 🖐.....	51
		Removing the fork protector 🖐.....	52

Installing the fork protector 	52	Mounting the seat	77
Removing the front fender	52	Dismounting the fuel tank 	77
Installing the front fender	53	Installing the fuel tank 	78
Removing headlight mask with headlight (EXC-F, EXC-F SIX DAYS, XCF-W)	53	Cooling system	78
Refitting the headlight mask with the headlight (EXC-F, EXC-F SIX DAYS, XCF-W)	53	Checking the anti-freeze and coolant level	79
Removing the start number plate (SX-F)	54	Checking the coolant level	79
Installing the start number plate (SX-F)	54	Draining the coolant 	80
Handlebar position	54	Refilling coolant 	80
Adjusting handlebar position 	54	Glass fiber yarn filling of main silencer	81
Checking throttle cable route	55	Removing main silencer	81
Checking the play in the throttle cable	55	Installing the main silencer	81
Adjusting the play in the throttle cable 	56	Removing the air filter box lid	81
Checking for chain dirt accumulation	56	Installing the air filter box lid	81
Cleaning the chain	56	Removing the air filter 	82
Checking the chain tension	57	Installing the air filter 	82
Checking chain tension when fitting rear wheel	57	Cleaning air filter 	82
Checking the rear sprocket/engine sprocket for wear	57	Adjusting basic position of clutch lever	83
Checking chain wear	58	Checking the fluid level of hydraulic clutch	83
Adjusting chain tension	58	Changing the hydraulic clutch fluid 	83
Adjusting chain tension - after checking	59	Checking the basic position of the shift lever	84
Adjusting chain tension - fitting rear wheel	60	Adjusting the basic position of the shift lever 	84
Adjusting the chain guide  (EXC-F, EXC-F SIX DAYS, XCF-W)	60	Carburetor - idle	85
Adjusting the chain guide  (SX-F)	61	Carburetor - adjusting idle 	85
Checking brake discs	61	Emptying the carburetor float chamber 	86
Checking free travel of hand brake lever	61	Checking the engine oil level	87
Adjusting basic position of hand brake lever (XCF-W, SX-F)	62	Changing the engine oil and oil filter, cleaning the oil screen 	87
Adjusting free travel of hand brake lever (EXC-F, EXC-F SIX DAYS)	62	Draining the engine oil 	87
Checking the brake fluid level of the front brake	62	Cleaning the oil screens 	88
Topping up the front brake fluid 	63	Removing the oil filter 	89
Checking the front brake linings	64	Installing the oil filter 	89
Changing the front brake linings 	64	Filling up with engine oil 	90
Checking free travel of foot brake lever	66	Adding engine oil	90
Adjusting basic position of footbrake lever 	66	TRUBLESHOOTING	91
Checking rear brake fluid level	66	CLEANING	93
Adding brake fluid to the rear brake circuit 	67	Cleaning the motorcycle	93
Checking rear brake linings	67	STORAGE	94
Changing the rear brake linings 	68	Storage	94
Removing front wheel 	69	Putting into operation after storage	94
Installing the front wheel 	70	TECHNICAL DATA - ENGINE	95
Removing the rear wheel 	71	Capacity - engine oil	96
Installing the rear wheel 	71	Capacity - coolant	96
Tire condition checking	72	TECHNICAL DATA - ENGINE TIGHTENING TORQUES	97
Checking tire air pressure	73	TECHNICAL DATA - CARBURETOR	99
Checking spoke tension	73	EXC-F, EXC-F SIX DAYS	99
Removing the battery  (EXC-F, EXC-F SIX DAYS, XCF-W)	74	XCF-W	99
Installing the battery  (EXC-F, EXC-F SIX DAYS, XCF-W)	74	SX-F	99
Recharging the battery  (EXC-F, EXC-F SIX DAYS, XCF-W)	74	TECHNICAL DATA - CHASSIS	100
Removing a fuse (EXC-F, EXC-F SIX DAYS, XCF-W)	75	Lighting equipment	100
Replacing the fuse (EXC-F, EXC-F SIX DAYS, XCF-W)	75	Tires	101
Adjusting the beam width of the headlight (EXC-F, EXC-F SIX DAYS, XCF-W)	76	Capacity - fuel	101
Checking the headlight adjustment (EXC-F, EXC-F SIX DAYS, XCF-W)	76	TECHNICAL DATA - FORK	102
Removing the seat	76	EXC-F, EXC-F SIX DAYS, XCF-W	102
		SX-F EU	102
		SX-F USA	103
		TECHNICAL DATA - SHOCK ABSORBER	104
		EXC-F, EXC-F SIX DAYS, XCF-W	104
		SX-F	104
		TECHNICAL DATA - TIGHTENING TORQUES FOR CHASSIS	105

WIRING DIAGRAM .....	106
Wiring diagram (EXC-F EU, EXC-F SIX DAYS).....	106
Wiring diagram (EXC-F AUS) .....	110
Wiring diagram (XCF-W) .....	112
Wiring diagram (SX-F).....	114
SUBSTANCES.....	116
AUXILIARY SUBSTANCES.....	117
STANDARDS.....	119
INDEX .....	120

## Symbols used

The symbols used are explained in the following.

- 
- |  |   |
|--|---|
|  | Indicates an expected reaction (e.g. of a work step or a function).   |
|  | Indicates an unexpected reaction (e.g. of a work step or a function).   |
|  | All work marked with this symbol requires specialist knowledge and technical understanding. In the interest of your own safety, have these jobs done in an authorized KTM workshop! There, your motorcycle will be serviced optimally by specially trained experts using the specialist tools required. |
|  | Identifies a page reference (more information is provided on the specified page).   |
- 

## Formats used

The typographical and other formats used are explained in the following.

- 
- |                      |  |
|----------------------|--|
| <b>Specific name</b> | Identifies a specific name.                |
| <b>Name®</b>         | Identifies a protected name.               |
| <b>Brand™</b>        | Identifies a brand in merchandise traffic. |
-

## Use definition (EXC-F, EXC-F SIX DAYS)

KTM sport motorcycles are designed and built to withstand the normal stresses and strains of competitive use. The motorcycles comply with currently valid regulations and categories of the top international motorsport organizations.

### Info

The motorcycle is authorized for public road traffic in the homologous (reduced) version only.  
In the derestricted version, the motorcycle must be used only on closed off property remote from public road traffic.  
The motorcycle is designed for off-road sport endurance competition (Enduro) and not for the use predominantly in motocross.

## Use definition (XCF-W, SX-F)

KTM sport motorcycles are designed and built to withstand the normal stresses and strains of competitive use. The motorcycles comply with currently valid regulations and categories of the top international motorsport organizations.

### Info

The motorcycle must be used only on secluded property remote from public road traffic.

## Maintenance

A prerequisite for trouble free operation and avoiding premature wear is that the engine and suspension are maintained and adjusted as described in this manual. Poor adjustment and tuning of the engine and suspension can lead to damage and breakage of components.

Using a motorcycle in difficult conditions such as on sand or very wet and muddy ground can lead to excessive wear of components such as the power train or brakes. For this reason, it may be necessary to service or replace worn parts before the limit specified in the service schedule is reached.

Pay careful attention to the prescribed running-in period, inspection and maintenance intervals. Observing these rules will vastly increase the service life of your motorcycle.

## Warranty

The work prescribed in the service schedule must be carried out by an authorized KTM workshop only and confirmed in the customer's service record; otherwise, all warranty claims will be void. No warranty claim can be honored for damage resulting from manipulation and/or other changes to the vehicle.

## Fuel, oils, etc.

You should use the fuels, oils and greases according to specifications as listed in the owner's manual.

## Spare parts, accessories

For your own safety, only use spare parts and accessory products that have been approved and/or recommended by KTM and have them installed by an authorized KTM workshop. KTM accepts no liability for other products and any resulting damage or loss. Some spare parts and accessories are specified in brackets in the respective descriptions. Your KTM dealer will be happy to advise you.

You will find the current **KTM PowerParts** for your vehicle on the KTM website.  
International KTM Website: <http://www.ktm.com>

## Work rules

Special tools are necessary for some of the work. These are not included with the vehicle and can be ordered under the number in parentheses. Ex: valve spring compressor (59029019000)

During assembly, non-reusable parts (e.g. self-locking screws and nuts, seals and seal rings, O-rings, pins, lock washers) must be replaced by new parts.

If thread lock (e.g. **Loctite**<sup>®</sup>) is used for screw connections, be sure to comply with the manufacturer's specific instructions on its usage.

Parts that you want to reuse following repairs and servicing should be cleaned and checked for damage and wear. Change damaged or worn parts.

Following repairs or servicing, the vehicle must be checked for roadworthiness.



## Transport

### Note

**Danger of damage** The parked vehicle can roll away or fall over.

- Always place the vehicle on a firm and even surface.

### Note

**Fire hazard** Some vehicle components become very hot when the vehicle is operated.

- Do not park the vehicle near flammable or explosive substances. Do not place objects on the vehicle while it is still warm from being run. Always let the vehicle cool first.

- Switch off the engine.

### (EXC-F, EXC-F SIX DAYS, XCF-W)

- Turn handle ❶ of the fuel tap to the **OFF** position. (Figure 500137-10☞ p. 22)

### (SX-F)

- Turn handle ❶ of the fuel tap to the **OFF** position. (Figure 500178-10☞ p. 22)
- Use straps or other suitable devices to secure the motorcycle against accidents or falling over.

## Environment

Motorcycling is a wonderful sport and we naturally hope that you can enjoy it to the full. However, it is a potential problem for the environment and can lead to conflicts with other persons. But if you use your motorcycle responsibly, you can ensure that such problems and conflicts do not have to occur. To protect the future of motorcycle sport, make sure that you use your motorcycle legally, display environmental consciousness, and respect the rights of others.

## Notes/warnings

Pay close attention to the notes/warnings.



### Info

Various information and warning labels are affixed to the vehicle. Do not remove information/warning labels. If they are missing, you or others may not recognize potential hazards and may therefore be injured.

## Grades of risks



### Danger

Identifies a danger that will immediately and invariably lead to fatal or serious permanent injury if the appropriate measures are not taken.



### Warning

Identifies a danger that is likely to lead to fatal or serious injury if the appropriate measures are not taken.

### Note

Identifies a danger that will lead to considerable machine and material damage if the appropriate measures are not taken.



### Warning

Identifies a danger that will lead to environmental damage if the appropriate measures are not taken.

## Owner's manual

- It is important that you read this owner's manual carefully and completely before making your first trip. It contains useful information and many tips on how to operate and handle your motorcycle. Only then will you find out how to best customize the motorcycle for your own use and how you can protect yourself from injury. The owner's manual also contains important information on servicing the motorcycle.
- The owner's manual is an important component of the motorcycle and should be handed over to the new owner if the vehicle is sold.

## View of the vehicle from the left front (example)



- |   |                    |
|---|--------------------|
| 1 | Hand brake lever   |
| 2 | Filler cap         |
| 3 | Clutch lever       |
| 4 | Fuel tap           |
| 5 | Shift lever        |
| 6 | Air filter box lid |
| 7 | Chain guide        |

## View of the vehicle from the right rear (example)



600873-10

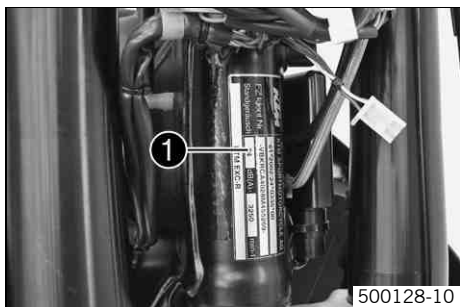
- |   |  |
|---|--|
| 1 | Rubber band for the side stand         |
| 2 | Shock absorber, compression adjustment |
| 3 | Chassis number                         |
| 4 | Fork protector                         |
| 5 | Shock absorber, rebound adjustment     |
| 6 | Level viewer, rear brake fluid         |
| 7 | Level viewer, engine oil               |
| 8 | Kickstarter                            |

## Chassis number



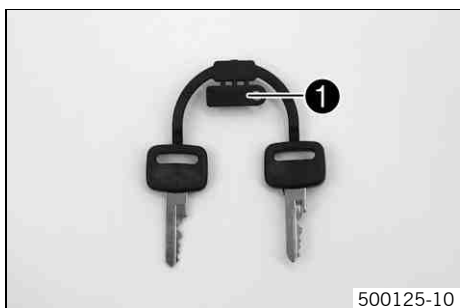
The chassis number ❶ is stamped on the steering head on the right.

## Type label



The type label ❶ is fixed to the front of the steering head.

## Key number (EXC-F, EXC-F SIX DAYS)



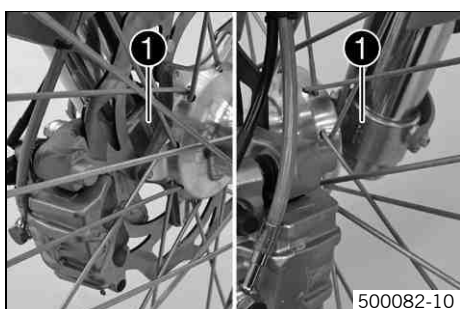
The key number ❶ is stamped on the key strap.

## Engine number



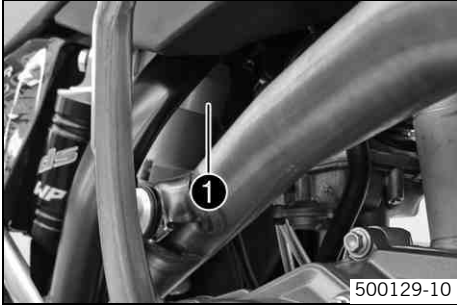
The engine number ❶ is stamped on the left side of the engine under the engine sprocket.

## Fork part number



The fork part number ❶ is stamped on the inner side of the fork stub.

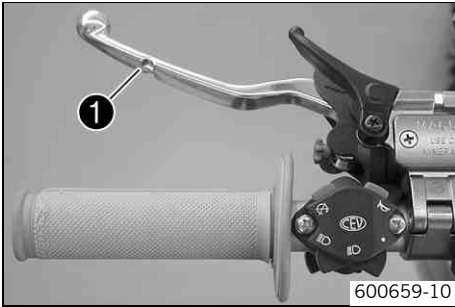
## Shock absorber part number



The shock absorber part number ❶ is stamped on the top of the shock absorber above the adjusting ring on the engine side.

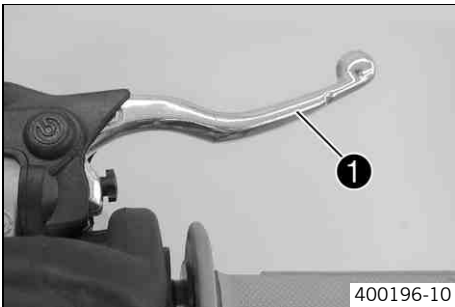
500129-10

## Clutch lever



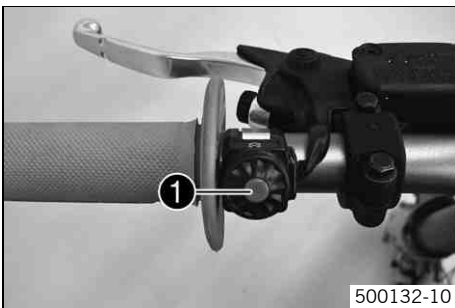
The clutch lever ❶ is fitted on the left side of the handlebar. The clutch is hydraulically operated and self-adjusting.

## Hand brake lever



Hand brake lever ❶ is located on the right side of the handlebar. The hand brake lever is used to activate the front brake.

## Short circuit button (XCF-W, SX-F)

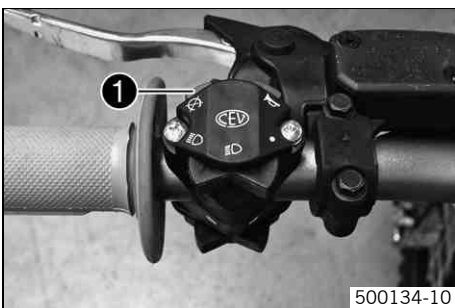


The short circuit button ❶ is fitted on the left side of the handlebar.

### Possible states

- Short circuit button ☒ in basic position – In this position, the ignition circuit is closed, and the engine can be started.
- Short circuit button ☒ pressed – In this position, the ignition circuit is interrupted, a running engine stops, and a non-running engine will not start.

## Short circuit button (EXC-F, EXC-F SIX DAYS)



The short circuit button ❶ is fitted on the left side of the handlebar.

### Possible states

- Short circuit button ☒ in basic position – In this position, the ignition circuit is closed, and the engine can be started.
- Short circuit button ☒ pressed – In this position, the ignition circuit is interrupted, a running engine stops, and a non-running engine will not start.

## Emergency OFF switch (EXC-F AUS)

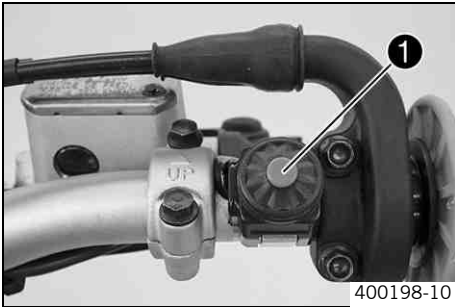


The emergency OFF switch ❶ is fitted on the right side of the handlebar.

### Possible states

	Ignition off – In this position, the ignition circuit is interrupted, a running engine stops, and a non-running engine will not start.
	Ignition on – In this position, the ignition circuit is closed, and the engine can be started.

## Electric starter button (EXC-F EU, EXC-F SIX DAYS, XCF-W)



400198-10

The electric starter button ❶ is fitted on the right side of the handlebar.

**Possible states**

- Electric starter button ❶ in basic position
- Electric starter button ❶ pressed – In this position, the electric starter is actuated.

## Electric starter button (EXC-F AUS)



500131-11

The electric starter button ❶ is fitted on the right side of the handlebar.

**Possible states**

- Electric starter button ❶ in basic position
- Electric starter button ❶ pressed – In this position, the electric starter is actuated.

## Light switch (EXC-F, EXC-F SIX DAYS)



500134-12

The light switch ❶ is fitted on the left side of the handlebar.

**Possible states**

●	Light off – Light switch is turned to the right. In this position, the light is switched off.
☰	Low beam on – Light switch is in the central position. In this position, the low beam and tail light are switched on.
☰	High beam on – Light switch is turned to the left. In this position, the high beam and the tail light are switched on.

## Horn button (EXC-F, EXC-F SIX DAYS)



500134-11

The horn button ❶ is fitted on the left side of the handlebar.

**Possible states**

- Horn button ❶ in neutral position
- Horn button ❶ pressed – The horn is operated in this position.

## Turn signal switch (EXC-F, EXC-F SIX DAYS)



500145-10

Turn signal switch ❶ is fitted on the left side of the handlebar.



**Possible states**

	Turn signal light off – Turn signal switch is in the central position.
←	Turn signal light, left, on – Turn signal switch turned to the left.
→	Turn signal light, right, on – Turn signal switch turned to the right.

## Overview of indicator lamps (EXC-F, EXC-F SIX DAYS)

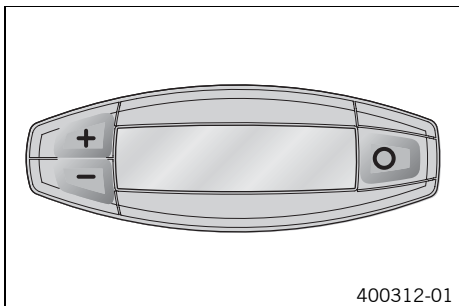


### Possible states

	High beam indicator lamp lights up blue – High beam is switched on.
	Turn signal indicator lamp flashes green – Turn signal light is switched on.



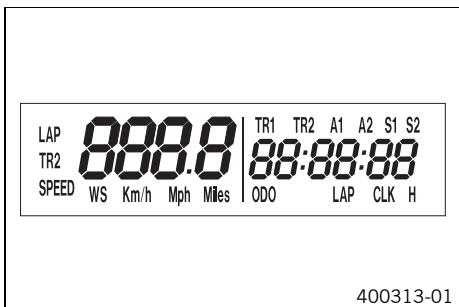
## Speedometer



- Press the key to change the display mode or change to one of the setup menus.
- Press the button to control different functions.
- Press the button to control different functions.

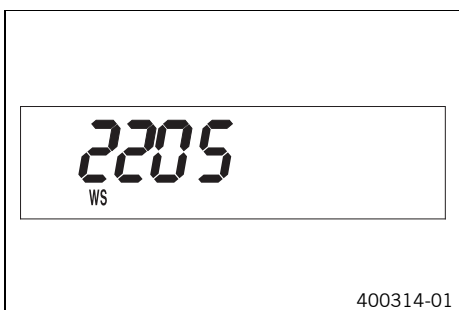
**i Info**  
In its condition at delivery, the display mode **SPEED/H** and **SPEED/ODO** is activated.

## Speedometer activation and test



Activating the speedometer:  
The speedometer is activated when one of the keys is pressed or a signal is received from the wheel speed sensor.

Display test  
For the function test of the display, all display segments light up briefly.



**WS** (wheel size)  
After the display function test, the wheel size **WS** is displayed briefly.

**i Info**  
2205 mm corresponds to the size of the 21" front wheel with a series production tire.

The display then changes to the last selected mode.

## Tripmaster switch

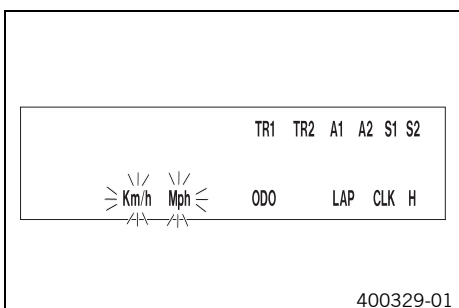
### (Option: Tripmaster switch)

You can use the trip master switch to control the functions of the speedometer from the handlebar.

**i Info**  
The trip master is an optional accessory.

## Setting kilometers or miles

**i Info**  
If you change the unit of measure, the **ODO** value is retained and converted accordingly. The values **TR1**, **TR2**, **A1**, **A2** and **S1** are cleared when the unit of measure is changed.



### Condition

The motorcycle is stationary.


- Press the button briefly and repeatedly until **H** appears at the bottom right of the display.
- Press the button for 3 - 5 seconds.
  - ✓ The Setup menu opens and the active functions are displayed.
- Press the button repeatedly until the **Km/h/Mph** display flashes.

### Adjusting Km/h

- Press the button .

### Adjusting Mph

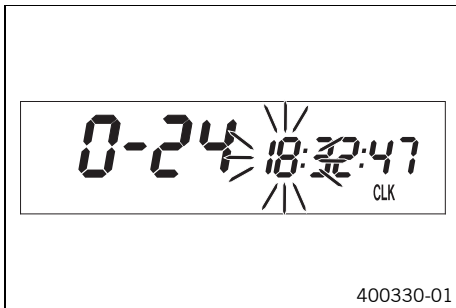
- Press the button .

- Press the button  for 3 - 5 seconds.
- ✓ The settings are saved and the Setup menu closed.

**i Info**





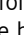

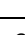
If no button is pressed for 20 seconds, or if no impulse comes from the wheel speed sensor, the settings are automatically saved and the Setup menu is closed.

## Setting the clock




**Condition**

The motorcycle is stationary.

- Press the button  briefly and repeatedly until **CLK** appears at the bottom right of the display.
- Press the button  for 3 - 5 seconds.
- ✓ The hour display flashes.
- Set the hour display with the button  and/or button .
- Press the button  briefly.
- ✓ The next segment of the display flashes and can be set.
- You can set the following segments in the same way as the hours by pressing the button  and the button .

**i Info**

The seconds can only be set to zero.

- Press the button  for 3 - 5 seconds.
- ✓ The settings are saved and the Setup menu closed.

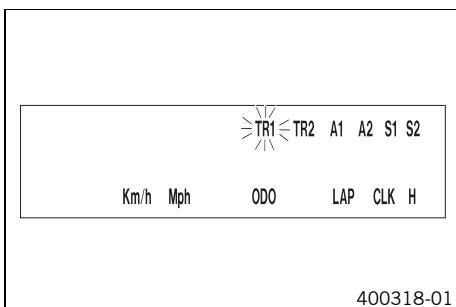
**i Info**

If no button is pressed for 20 seconds, or if no impulse comes from the wheel speed sensor, the settings are automatically saved and the Setup menu is closed.

## Adjusting the speedometer functions




**i Info**

Upon delivery, only the **SPEED/H** and **SPEED/ODO** display modes are activated.




**Condition**



The motorcycle is stationary.

- Press the button  briefly and repeatedly until **H** appears at the bottom right of the display.
- Press the button  for 3 - 5 seconds.
- ✓ The Setup menu opens and the active functions are displayed.
- Switch to the function you require by briefly pressing the button .
- ✓ The selected function flashes.

**Activating a function**

- Press the button .
- ✓ The icon remains in the display and the display changes to the next function.

**Deactivating a function**

- Press the button .
- ✓ The icon disappears from the display and the display changes to the next function.
- Activate or deactivate all functions accordingly.
- Press the button .
- ✓ The settings are saved and the Setup menu closed.



**Info**

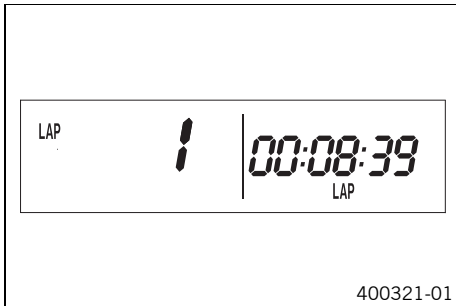
If no button is pressed for 20 seconds, or if no impulse comes from the wheel speed sensor, the settings are automatically saved and the Setup menu is closed.

## Querying the lap time



**Info**

This function can be called only if lap times are measured.



**Condition**

The motorcycle is stationary.

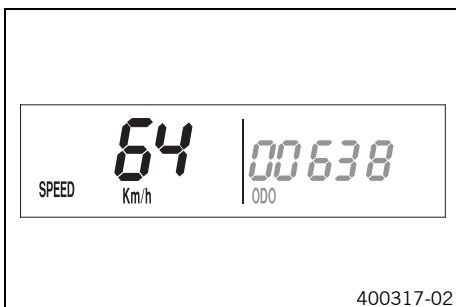
- Press the button briefly and repeatedly until **LAP** appears at the bottom right of the display.
- Press the button briefly.
- ✓ **LAP 1** appears on the left side of the display.
- Laps 1-10 can be displayed by pressing the button .
- The button has no function
- Press the button briefly.
- ✓ Next display mode



**Info**

If an impulse is received from the wheel speed sensor, the left side of the display changes back to the **SPEED** mode.

## SPEED display mode (speed)



- Press the button briefly and repeatedly until **SPEED** appears on the left side of the display.

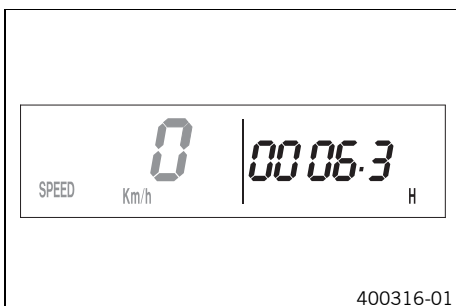
The current speed is displayed in the **SPEED** display mode.  
The current speed can be displayed in **Km/h** or **Mph**.



**Info**

Making the setting according to the country.  
When an impulse comes from the front wheel, the left side of the speedometer display changes to the **SPEED** mode and the current speed is shown.

## Display mode SPEED/H (service hours)



**Condition**

- The motorcycle is stationary
- Press the button briefly and repeatedly until **H** appears at the bottom right of the display.

In display mode **H**, the service hours of the engine are displayed.  
The service hour counter stores the total traveling time.

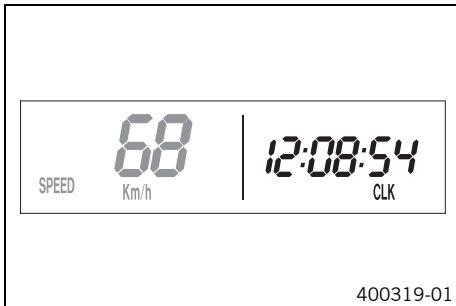


**Info**

The service hour counter is necessary for ensuring that maintenance work is carried out at the right intervals.  
If the speedometer is in **H** display mode at the start of the journey, it automatically changes to the **ODO** display mode.  
The **H** display mode is suppressed during the journey.

Press the button .	No function
Press the button .	No function
Press the button  for 3 - 5 seconds.	The display changes to the Setup menu of the speedometer functions.
Press the button  briefly.	Next display mode

## Display mode SPEED/CLK (clock)

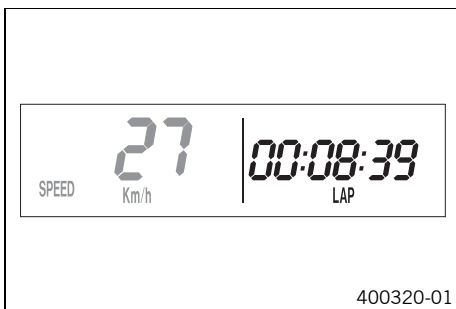


- Press the button briefly and repeatedly until **CLK** appears at the bottom right of the display.

The time is displayed in **CLK** display mode.

Press the button .	No function
Press the button .	No function
Press the button  for 3 - 5 seconds.	The display changes to the Setup menu of the clock.
Press the button  briefly.	Next display mode

## Display mode SPEED/LAP (lap time)



- Press the button briefly and repeatedly until **LAP** appears at the bottom right of the display.

In the **LAP** display mode, up to 10 lap times can be timed with the stop watch.

**i Info**  
If the lap time continues after you press the button , 9 memory locations are already occupied.  
Lap 10 must be timed with the button .

Press the button .	Starts or stops the clock.
Press the button .	Stops the current lap time and saves it, and the stop watch starts the next lap.
Press the button  for 3 - 5 seconds.	The stop watch and the lap time are reset.
Press the button  briefly.	Next display mode

## Display mode SPEED/ODO (odometer)

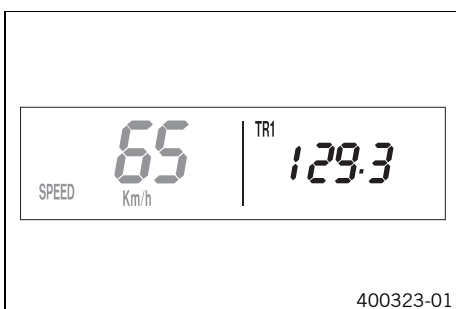


- Press the button briefly and repeatedly until **ODO** appears at the bottom right of the display.

In **ODO** display mode, the total number of kilometers ridden is displayed.

Press the button .	No function
Press the button .	No function
Press the button  for 3 - 5 seconds.	–
Press the button  briefly.	Next display mode

## Display mode SPEED/TR1 (trip master 1)



- Press the button briefly and repeatedly until **TR1** appears at the top right of the display.


**TR1** (trip master 1) runs constantly and counts up to 999.9.

You can use it to measure trips or the distance between refuelling stops.

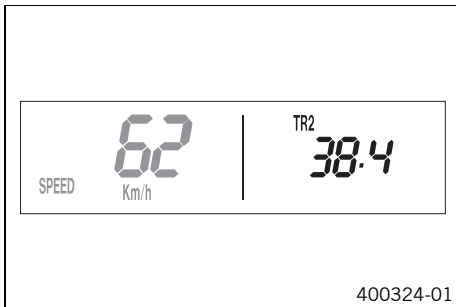
**TR1** is coupled with **A1** (average speed 1) and **S1** (stop watch 1).


**i Info**  
If 999.9 is exceeded, the values of **TR1**, **A1** and **S1** are automatically reset to 0.0.



Press the button .	No function
Press the button .	No function
Press the button  for 3 - 5 seconds.	Displays of <b>TR1</b> , <b>A1</b> and <b>S1</b> are reset to 0,0.


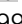
Press the button  briefly.	Next display mode
---	-------------------





## Display mode SPEED/TR2 (trip master 2)



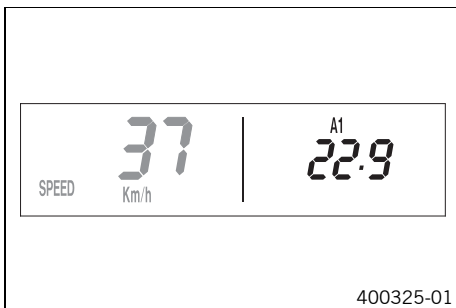
– Press the button  briefly and repeatedly until **TR2** appears at the top right of the display.


**TR2** (trip master 2) runs constantly and counts up to 999.9. The displayed value can be set manually with the button  and the button . A very practical function when riding using the road book.

**i Info**  
The **TR2** value can also be corrected manually during the journey with the button  and the button . If 999.9 is exceeded, the value of **TR2** is automatically reset to 0.0.

Press the button  .	Increases value of <b>TR2</b> .
Press the button  .	Reduces value of <b>TR2</b> .
Press the button  for 3 - 5 seconds.	Deletes value of <b>TR2</b> .
Press the button  briefly.	Next display mode





## Display mode SPEED/A1 (average speed 1)



– Press the button  briefly and repeatedly until **A1** appears at the top right of the display.


**A1** (average speed 1) shows the average speed calculated using **TR1** (trip master 1) and **S1** (stop watch 1).

The calculation of this value is activated by the first impulse of the wheel speed sensor and ends 3 seconds after the last impulse.

Press the button  .	No function
Press the button  .	No function
Press the button  for 3 - 5 seconds.	Displays of <b>TR1</b> , <b>A1</b> and <b>S1</b> are reset to 0,0.
Press the button  briefly.	Next display mode





## Display mode SPEED/A2 (average speed 2)



– Press the button  briefly and repeatedly until **A2** appears at the top right of the display.

**A2** (average speed 2) shows the average speed on the basis of the current speed if the stop watch **S2** (stop watch 2) is running.

**i Info**  
The displayed value can differ from the actual average speed if **S2** was not timed after the ride.

Press the button  .	No function
Press the button  .	No function
Press the button  for 3 - 5 seconds.	–
Press the button  briefly.	Next display mode

## Display mode SPEED/S1 (stop watch 1)



– Press the button briefly and repeatedly until **S1** appears at the top right of the display.

**S1** (stop watch 1) displays the journey time on the basis of **TR1** and continues when an impulse is received from the wheel speed sensor. The calculation of this value starts with the first impulse of the wheel speed sensor and ends 3 seconds after the last impulse.

Press the button	No function
Press the button	No function
Press the button  for 3 - 5 seconds.	Displays of <b>TR1</b> , <b>A1</b> and <b>S1</b> are reset to 0,0.
Press the button  briefly.	Next display mode

## Display mode SPEED/S2 (stop watch 2)



– Press the button briefly and repeatedly until **S2** appears at the top right of the display.

**S2** (stop watch 2) is a manual stop watch. If **S2** is running in the background, the **S2** display flashes in the speedometer display.

Press the button	Starts or stops <b>S2</b> .
Press the button	No function
Press the button  for 3 - 5 seconds.	Displays of <b>S2</b> and <b>A2</b> are reset to 0.0.
Press the button  briefly.	Next display mode

### Table of functions

Display	Press the button	Press the button	Press the button  for 3 - 5 seconds.	Press the button  briefly.
Display mode <b>SPEED/H</b> (service hours)	No function	No function	The display changes to the Setup menu of the speedometer functions.	Next display mode
Display mode <b>SPEED/CLK</b> (clock)	No function	No function	The display changes to the Setup menu of the clock.	Next display mode
Display mode <b>SPEED/LAP</b> (lap time)	Starts or stops the clock.	Stops the current lap time and saves it, and the stop watch starts the next lap.	The stop watch and the lap time are reset.	Next display mode
Display mode <b>SPEED/ODO</b> (odometer)	No function	No function	–	Next display mode
Display mode <b>SPEED/TR1</b> (trip master 1)	No function	No function	Displays of <b>TR1</b> , <b>A1</b> and <b>S1</b> are reset to 0,0.	Next display mode
Display mode <b>SPEED/TR2</b> (trip master 2)	Increases value of <b>TR2</b> .	Reduces value of <b>TR2</b> .	Deletes value of <b>TR2</b> .	Next display mode
Display mode <b>SPEED/A1</b> (average speed 1)	No function	No function	Displays of <b>TR1</b> , <b>A1</b> and <b>S1</b> are reset to 0,0.	Next display mode
Display mode <b>SPEED/A2</b> (average speed 2)	No function	No function	–	Next display mode
Display mode <b>SPEED/S1</b> (stop watch 1)	No function	No function	Displays of <b>TR1</b> , <b>A1</b> and <b>S1</b> are reset to 0,0.	Next display mode
Display mode <b>SPEED/S2</b> (stop watch 2)	Starts or stops <b>S2</b> .	No function	Displays of <b>S2</b> and <b>A2</b> are reset to 0.0.	Next display mode

### Table of conditions and activability

Display	The motorcycle is stationary	Menu can be activated
Display mode <b>SPEED/H</b> (service hours)	•	

Table of conditions and activability		
Display	The motorcycle is stationary	Menu can be activated
Display mode <b>SPEED/CLK</b> (clock)		•
Display mode <b>SPEED/LAP</b> (lap time)		•
Display mode <b>SPEED/TR1</b> (trip master 1)		•
Display mode <b>SPEED/TR2</b> (trip master 2)		•
Display mode <b>SPEED/A1</b> (average speed 1)		•
Display mode <b>SPEED/A2</b> (average speed 2)		•
Display mode <b>SPEED/S1</b> (stop watch 1)		•
Display mode <b>SPEED/S2</b> (stop watch 2)		•

## Fuel tap (EXC-F, EXC-F SIX DAYS, XCF-W)



The fuel tap is on the left side of the fuel tank.

Using tap handle ❶ on the fuel tap, you can open or close the supply of fuel to the carburetor.

### Possible states

- Fuel supply closed **OFF** – No fuel can flow from the tank to the carburetor.
- Fuel supply open **ON** – Fuel can flow from the tank to the carburetor. The fuel tank empties down to the reserve.
- Reserve fuel supply open **RES** – Fuel can flow from the tank to the carburetor. The fuel tank empties completely.



500137-10

## Fuel tap (SX-F)

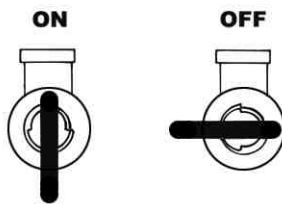


The fuel tap is on the left side of the fuel tank.

Using tap handle ❶ on the fuel tap, you can open or close the supply of fuel to the carburetor.

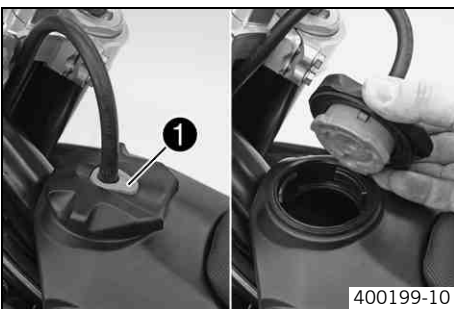
### Possible states

- Fuel supply closed **OFF** – No fuel can flow from the tank to the carburetor.
- Fuel supply open **ON** – Fuel can flow from the tank to the carburetor. The fuel tank empties completely.



500178-10

## Opening filler cap

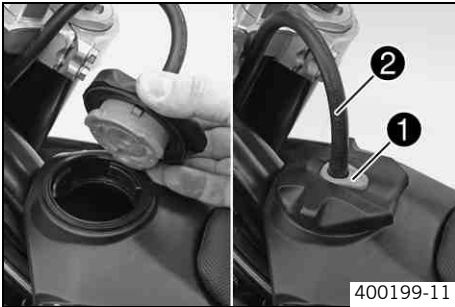


- Press release button ❶, turn filler cap counterclockwise and lift it upwards and remove.

400199-10



## Closing filler cap



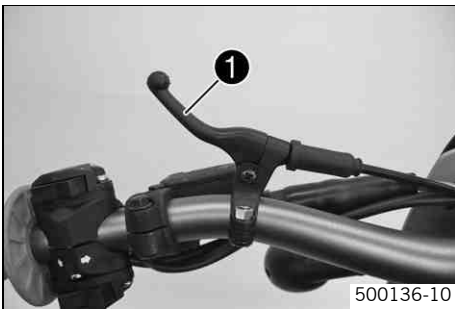
400199-11

- Replace the filler cap and turn clockwise until the release button ❶ locks in place.

**i Info**

Route the fuel tank breather hose ❷ without kinking.

## Choke (EXC-F EU, EXC-F SIX DAYS)



500136-10

The choke lever ❶ is fitted on the left side of the handlebar. Activating the choke function frees an opening through which the engine can draw extra fuel. This gives a richer fuel-air mixture, which is needed for a cold start.

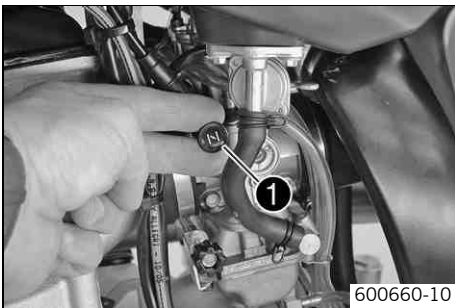
**i Info**

If the engine is warm, the choke function must be deactivated.

**Possible states**

- Choke function activated – The choke lever is pulled to the stop.
- Choke function deactivated – The choke lever is pushed back to the stop.

## Choke (XCF-W, SX-F, EXC-F AUS)



600660-10

Choke ❶ is fitted on the left side of the carburetor. Activating the choke function frees an opening through which the engine can draw extra fuel. This gives a richer fuel-air mixture, which is needed for a cold start.

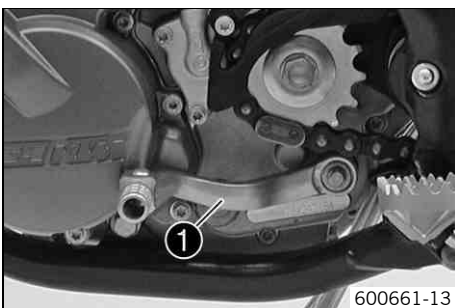
**i Info**

If the engine is warm, the choke function must be deactivated.

**Possible states**

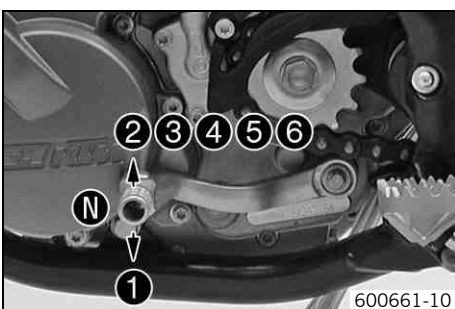
- Choke function activated – The choke lever is pulled out to the stop.
- Choke function deactivated – The choke lever is pushed in to the stop.

## Shift lever



600661-13

Shift lever ❶ is mounted on the left side of the engine.



600661-10

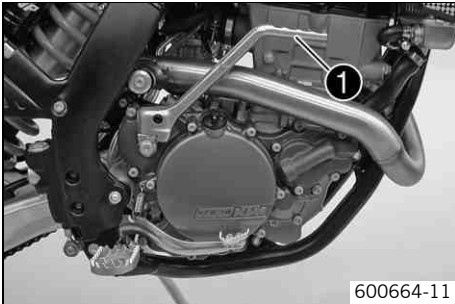
The gear positions can be seen in the photograph. The neutral or idle position is between the first and second gears.

## Foot brake lever



Foot brake lever ❶ is located in front of the right footrest. The foot brake lever is used to activate the rear brake.

## Kick starter



The kick starter ❶ is fitted on the right of the engine. The engine can be started with either the kick starter or the electric starter. The upper part of the kick starter can be swung out.

**i Info**  
Before riding, swing the upper part of the kick starter inwards towards the engine.

## Side stand (EXC-F, EXC-F SIX DAYS, XCF-W)



**Note**

**Danger of damage** The parked vehicle can roll away or fall over.

- Always place the vehicle on a firm and even surface.

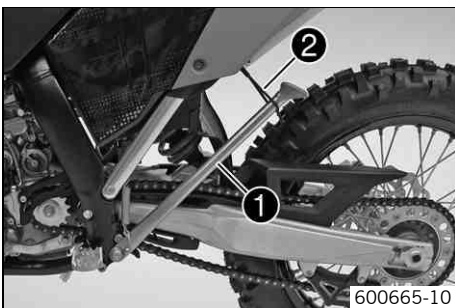
**Note**

**Material damage** Damage and destruction of components by excessive load.

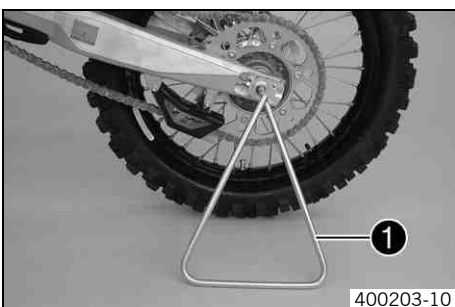
- The side stand is designed for the weight of the motorcycle only. Do not sit on the motorcycle when it is supported by the side stand only. The side stand and/or the frame could be damaged and the motorcycle could fall over.

To park the motorcycle, press the side stand ❶ to the ground with your foot and lean the motorcycle on it.

When you are riding, the side stand ❶ must be folded up and secured with the rubber band ❷.



## Plug-in stand (SX-F)



**Note**

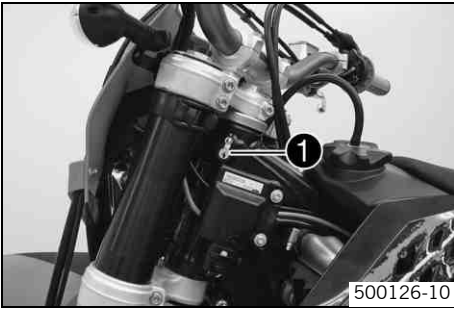
**Danger of damage** The parked vehicle can roll away or fall over.

- Always place the vehicle on a firm and even surface.

To park the motorcycle, insert plug-in stand ❶ into the left side of the wheel spindle.

**i Info**  
Remove the plug-in stand before starting on a trip.

## Steering lock (EXC-F, EXC-F SIX DAYS)



Steering lock ❶ is fitted on the left side of the steering head. The steering lock is used to lock the steering. Steering, and therefore riding, is no longer possible.

## Locking the steering (EXC-F, EXC-F SIX DAYS)

**Note**

**Danger of damage** The parked vehicle can roll away or fall over.

- Always place the vehicle on a firm and even surface.



- Park the vehicle.
- Turn the handlebar as far as possible to the right.
- Insert the key in the steering lock, turn it to the left, press it in and turn it to the right. Remove the key.
- ✓ Steering is no longer possible.

**i Info**  
Never leave the key in the steering lock.









## Unlocking the steering (EXC-F, EXC-F SIX DAYS)




- Insert the key in the steering lock, turn it to the left, pull it out and turn it to the right. Remove the key.
- ✓ You can now steer the bike again.

**i Info**  
Never leave the key in the steering lock.

## Advice on first use

-  **Danger**  
**Danger of accidents** Danger arising from the rider's judgement being impaired.
  - Do not use the vehicle if you are inexperienced or if you have consumed alcohol or drugs.
-  **Warning**  
**Risk of injury** Missing or poor protective clothing present an increased safety risk.
  - Wear protective clothing (helmet, boots, gloves, pants and jacket with protectors) every time you ride the vehicle. Always wear protective clothing, which must be undamaged and meet legal requirements.
-  **Warning**  
**Danger of crashing** Poor vehicle handling due to different tire tread patterns on front and rear wheels.
  - The front and rear wheels must be fitted with tires with similar tread patterns to prevent loss of control over the vehicle.
-  **Warning**  
**Danger of accidents** Critical handling characteristic due to inappropriate riding style.
  - Adapt your riding speed to the road conditions and your riding ability.
-  **Warning**  
**Danger of accidents** Accident risk caused by presence of a passenger.
  - Your vehicle is not designed to carry passengers. Do not ride with a passenger.
-  **Warning**  
**Danger of accidents** Failure of brake system.
  - If the foot brake lever is not released, the brake linings drag permanently. The rear brake can fail due to overheating. Take your foot off the foot brake lever if you do not want to brake.
-  **Warning**  
**Danger of accidents** Unstable riding behavior.
  - Do not exceed the maximum permissible weight and axle loads.
-  **Warning**  
**Risk of misappropriation** Usage by unauthorized persons.
  - Never leave the vehicle while the engine is running. Secure the vehicle against use by unauthorized persons.

---

 **Info**  
When using your motorcycle, remember that others may feel disturbed by excessive noise.

- Make sure that the pre-delivery inspection work has been carried out by an authorized KTM workshop. You receive a delivery certificate and the service record at vehicle handover.
- Before your first trip, read the entire operating instructions carefully.
- Get to know the controls.
- Adjust the basic position of clutch lever. (☛ p. 83)


**(XCF-W, SX-F)**

- adjust the basic position of hand brake lever. (☛ p. 62)

**(EXC-F, EXC-F SIX DAYS)**

- Adjust the free travel of the hand brake lever. (☛ p. 62)
- Adjust the basic position of the footbrake lever. ☛ (☛ p. 66)
- Adjust the basic position of the shift lever. ☛ (☛ p. 84)
- Get used to handling the motorcycle on a suitable piece of land before making a longer trip.

---

 **Info**  
Offroad, you should be accompanied by another person on another machine so that you can help each other.

- Try also to ride as slowly as possible and in a standing position to get a better feeling for the vehicle.
- Do not make any offroad trips that over-stress your ability and experience.
- Hold the handlebar firmly with both hands and keep your feet on the footrests when riding.

**(EXC-F, EXC-F SIX DAYS, XCF-W)**

- If you carry any baggage, make sure it is fixed firmly as close as possible to the center of the vehicle and ensure even weight distribution between the front and rear wheels.

**i Info**  
Motorcycles react sensitively to any changes of weight distribution.

**(SX-F)**

- Do not transport luggage.
- Do not exceed the overall maximum permitted weight and the axle loads.

Guideline

Maximum permissible overall weight	335 kg (739 lb.)
Maximum permissible front axle load	145 kg (320 lb.)
Maximum permissible rear axle load	190 kg (419 lb.)

- Check the spoke tension. (☞ p. 73)

**i Info**  
The spoke tension must be checked after half an hour of operation.

- Run the engine in.

**Running-in the engine**

- During the running-in phase, do not exceed the specified engine speed and engine performance.

Guideline

Maximum engine speed	
During the first 3 service hours	7,000 rpm
Maximum engine performance	
During the first 3 service hours	≤ 50 %
During the next 12 service hours	≤ 75 %

- Avoid fully opening the throttle!

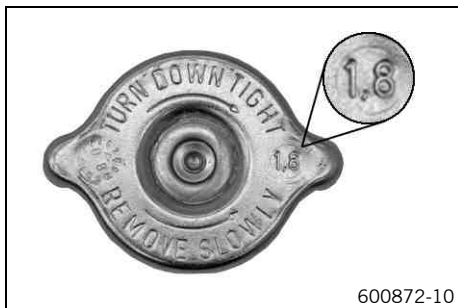
**Preparing vehicle for arduous riding conditions**

- Using a motorcycle in arduous conditions can lead to excessive wear of components such as the power train or brakes. For this reason, it may be necessary to service or replace worn parts before the limit specified in the service schedule is reached.

**Arduous riding conditions are:**

- Riding on dry sand. (☞ p. 27)
- Riding on wet sand. (☞ p. 28)
- Riding on wet and muddy surfaces. (☞ p. 29)
- Rides at high temperature and slow speed. (☞ p. 30)
- Rides at low temperatures or in snow. (☞ p. 30)

**Preparing for riding on dry sand**



600872-10

- Check the radiator cap.

Value on radiator cap	1.8 bar (26 psi)
-----------------------	------------------

» If the displayed value does not correspond to specifications:



**Warning**

**Danger of scalding** During motorcycle operation, the coolant gets very hot and is under pressure.

- Do not remove the radiator cap, radiator hoses or other cooling system components when the engine is hot. Allow the engine and cooling system to cool down. In case of scalding, rinse immediately with lukewarm water.

- Change the radiator cap.
- Seal the air filter box. ☞



600869-01



600871-01



600868-01



**Tip**

Seal the air filter box on the edges against dirt.

- Clean the air filter. 🛠️ (📖 p. 82)



**Info**

Check the air filter approx. every 30 minutes.

- Fit a dust protection device on the air filter.

Dust protection device for air filter (59006019000)



**Info**

See the **KTM PowerParts** fitting instructions.

- Fit a sand screen device on the air filter.

Sand protection device for air filter (59006022000)



**Info**

See the **KTM PowerParts** fitting instructions.

- Adjust the carburetor jetting and settings.



**Info**

Your authorized KTM workshop has the recommended carburetor tuning settings.

- Clean the chain.

Chain cleaner (🛠️ p. 117)

- Fit the steel sprocket.



**Tip**

Do not grease the chain.

- Clean radiator fins.
- Straighten bent radiator fins carefully.

**Preparing for riding on wet sand**



600872-10

- Check the radiator cap.

Value on radiator cap	1.8 bar (26 psi)
-----------------------	------------------

- » If the displayed value does not correspond to specifications:



**Warning**

**Danger of scalding** During motorcycle operation, the coolant gets very hot and is under pressure.

- Do not remove the radiator cap, radiator hoses or other cooling system components when the engine is hot. Allow the engine and cooling system to cool down. In case of scalding, rinse immediately with lukewarm water.

- Change the radiator cap.

- Seal the air filter box. 🛠️



**Tip**

Seal the air filter box on the edges against dirt.

- Clean the air filter. 🛠️ (📖 p. 82)



600870-01



600868-01



**Info**

Check the air filter approx. every 30 minutes.

- Fit a waterproofing device on the air filter.

Waterproofing device for air filter (59006021000)



**Info**

See the **KTM PowerParts** fitting instructions.

- Adjust the carburetor jetting and settings.



**Info**

Your authorized KTM workshop has the recommended carburetor tuning settings.

- Clean the chain.

Chain cleaner (☞ p. 117)

- Fit the steel sprocket.



**Tip**

Do not grease the chain.

- Clean radiator fins.
- Straighten bent radiator fins carefully.

**Preparing for riding on wet and muddy surfaces**

- Seal the air filter box. ☞



**Tip**

Seal the air filter box along the edges to prevent the ingress of dirt.

- Clean the air filter. ☞ (☞ p. 82)



**Info**

Check the air filter approx. every 30 minutes.

- Fit a waterproofing device on the air filter.

Waterproofing device for air filter (59006021000)



**Info**

See the **KTM PowerParts** fitting instructions.

- Adjust the carburetor jetting and settings.



**Info**

Your authorized KTM workshop has the recommended carburetor tuning settings.

- Fit the steel sprocket.
- Clean the motorcycle. (☞ p. 93)
- Straighten bent radiator fins carefully.



600870-01



600868-01

## Preparing for rides at high temperature and slow speed



- Check the radiator cap.

Value on radiator cap	1.8 bar (26 psi)
-----------------------	------------------

- » If the displayed value does not correspond to specifications:



### Warning

**Danger of scalding** During motorcycle operation, the coolant gets very hot and is under pressure.

- Do not remove the radiator cap, radiator hoses or other cooling system components when the engine is hot. Allow the engine and cooling system to cool down. In case of scalding, rinse immediately with lukewarm water.

- Change the radiator cap.

- Seal the air filter box. 🗑️



### Tip

Seal the air filter box on the edges against dirt.

- Clean the air filter. 🗑️ (👉 p. 82)



### Info

Check the air filter approx. every 30 minutes.

- Adjust the secondary drive to the road conditions.



### Info

The engine oil quickly gets hot if the clutch has to be operated very often due to an excessively high secondary drive.

- Clean the chain.

Chain cleaner (👉 p. 117)
--------------------------

- Clean radiator fins.
- Straighten bent radiator fins carefully.
- Check the coolant level. (👉 p. 79)



## Preparing for rides at low temperatures or in snow

- Seal the air filter box. 🗑️



### Tip

Seal the air filter box on the edges against dirt.

- Clean the air filter. 🗑️ (👉 p. 82)



### Info

Check the air filter approx. every 30 minutes.

- Fit a waterproofing device on the air filter.

Waterproofing device for air filter (59006021000)
---



### Info

See the **KTM PowerParts** fitting instructions.

- Adjust the carburetor jetting and settings.



### Info

Your authorized KTM workshop has the recommended carburetor tuning settings.





## Checks before putting into operation

### **i** Info

Make sure that the motorcycle is in a perfect technical condition before use.

### **i** Info

In the interests of riding safety, make a habit of making a general check before you ride.

- Check the engine oil level. (☛ p. 87)
- Check the chain tension. (☛ p. 57)
- Check for chain dirt accumulation. (☛ p. 56)
- Check the tire condition. (☛ p. 72)
- Check the tire air pressure. (☛ p. 73)
- Check the brake fluid level of the front brake. (☛ p. 62)
- Check the rear brake fluid level. (☛ p. 66)
- Check the front brake linings. (☛ p. 64)
- Check the rear brake linings. (☛ p. 67)
- Check the brake system function.
- Check the coolant level. (☛ p. 79)
- Check the settings of all controls and ensure that they can be operated smoothly.
- Check the functioning of the electrical equipment.

## Starting

### **!** Danger

**Danger of poisoning** Exhaust gases are poisonous and inhaling them may result in unconsciousness and/or death.

- When running the engine, always make sure there is sufficient ventilation, and do not start or run the engine in an enclosed space without an effective exhaust extraction system.

### Note

**Engine failure** High engine speeds in cold engines have a negative effect on the service life of the engine.

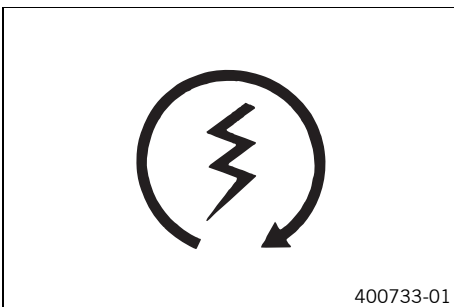
- Always warm up the engine at low engine speeds.

### **i** Info

If the motorcycle is unwilling to start, the cause can be old fuel in the float chamber. The flammable elements of the fuel evaporate after a long time of standing.

If the float chamber is filled with fresh fuel, the engine starts immediately.

Press the starter for a maximum of 5 seconds. Wait for a least 5 seconds until trying again.



### Engine has been out of use for more than 1 week

- Empty the carburetor float chamber. ☛ (☛ p. 86)

### (EXC-F, EXC-F SIX DAYS, XCF-W)

- Turn handle ❶ of the fuel tap to the **ON** position. (Figure 500137-10 ☛ p. 22)
- ✓ Fuel can flow from the fuel tank to the carburetor.

### (SX-F)

- Turn handle ❶ of the fuel tap to the **ON** position. (Figure 500178-10 ☛ p. 22)
- ✓ Fuel can flow from the fuel tank to the carburetor.

- Remove the motorcycle from the stand.
- Shift transmission to neutral.

### (EXC-F AUS)

- Turn the emergency OFF switch to the position ○.

### The engine is cold

#### (XCF-W, SX-F, EXC-F AUS)


- Pull choke lever out as far as possible.

#### (EXC-F EU, EXC-F SIX DAYS)

- Pull the choke lever to the stop.


- Press the electric starter button or press the kickstarter robustly through its full range.

---

 **Info**  
Do not open the throttle.


---

## Starting up


 **Info**  
If your bike has lights, switch them on before riding. You will then be seen earlier by other motorists. When you are riding, the side stand must be folded up and secured with the rubber band.

- Pull the clutch lever, engage 1st gear, release the clutch lever slowly and simultaneously open the throttle carefully.

## Shifting, riding

 **Warning**  
**Danger of accidents** If you change down at high engine speed, the rear wheel can lock up.

- Do not change into a low gear at high engine speed. The engine overspeeds and the rear wheel can block.

 **Info**  
If you hear unusual noises while riding, stop immediately, switch off the engine and contact an authorized KTM workshop. First gear is used for starting off or for steep inclines.


- When conditions allow (incline, road situation, etc.), you can shift into a higher gear. To do so, release the throttle while simultaneously pulling the clutch lever, shift into the next gear, release the clutch and open the throttle.
- If the choke function was activated, deactivate it after the engine has warmed up.
- When you reach maximum speed after fully opening the throttle, turn back the throttle to about  $\frac{3}{4}$  of its range. This barely reduces vehicle speed but lowers fuel consumption considerably.
- Always open the throttle only as much as the engine can handle – abrupt throttle opening increases fuel consumption.
- To shift down, brake and close the throttle at the same time.
- Pull the clutch lever and shift into a lower gear, release the clutch lever slowly and open the throttle or shift again.
- Switch off the engine if you expect to be stationary for a long time.

Guideline


$\geq 2$ min
--------------

- Avoid frequent and prolonged slipping of the clutch. This causes heat build-up in the engine oil, the engine and the cooling system.
- Ride at lower engine speeds instead of high revs and a slipping clutch.


## Braking

 **Warning**  
**Danger of accidents** If you brake too hard, the wheels can lock.

- Adapt your braking to the traffic situation and the road conditions.

 **Warning**  
**Danger of accidents** Reduced braking efficiency caused by spongy pressure point of front or rear brake.

- Check the brake system and do not continue riding. (Your authorized KTM workshop will be glad to help.)

 **Warning**  
**Danger of accidents** Reduced braking efficiency due to wet or dirty brakes.

- Clean or dry dirty or wet brakes by riding and braking gently.

- On sandy, wet or slippery surfaces, use the rear brake.
- Braking should always be completed before you go into a bend. Change down to a lower gear appropriate to your road speed.
- On long downhill stretches, use the braking effect of the engine. Change down one or two gears, but do not overstress the engine. In this way, you have to brake far less and the brakes do not overheat.

## Stopping, parking



### Warning

**Risk of misappropriation** Usage by unauthorized persons.

- Never leave the vehicle while the engine is running. Secure the vehicle against use by unauthorized persons.



### Warning

**Danger of burns** Some vehicle components get very hot when the vehicle is in use.

- Do not touch hot components such as exhaust system, radiator, engine, shock absorber and brakes. Allow these components to cool down before starting work on them.

### Note

**Danger of damage** The parked vehicle can roll away or fall over.

- Always place the vehicle on a firm and even surface.

### Note

**Fire hazard** Some vehicle components become very hot when the vehicle is operated.

- Do not park the vehicle near flammable or explosive substances. Do not place objects on the vehicle while it is still warm from being run. Always let the vehicle cool first.


### Note

**Material damage** Damage and destruction of components by excessive load.


- The side stand is designed for the weight of the motorcycle only. Do not sit on the motorcycle when it is supported by the side stand only. The side stand and/or the frame could be damaged and the motorcycle could fall over.

- Brake the motorcycle.
- Shift transmission to neutral.

### (XCF-W, SX-F)

- Press and hold the short circuit button  while the engine is idling until the engine stops.



### (EXC-F, EXC-F SIX DAYS)

- Press and hold the short circuit button  while the engine is idling until the engine stops.

### (EXC-F, EXC-F SIX DAYS, XCF-W)

- Turn handle  of the fuel tap to the **OFF** position. (Figure 500137-10  p. 22)

### (SX-F)

- Turn handle  of the fuel tap to the **OFF** position. (Figure 500178-10  p. 22)
- Park the motorcycle on firm ground.

## Refueling



### Danger

**Fire hazard** Fuel is highly flammable.

- Never refuel the vehicle near open flames or burning cigarettes, and always switch off the engine first. Be careful that no fuel is spilt, especially on hot vehicle components. Clean up spilt fuel immediately.
- Fuel in the fuel tank expands when warm and can escape if the tank is overfilled. See the notes on refueling.



### Warning

**Danger of poisoning** Fuel is poisonous and a health hazard.


- Avoid contact of the fuel with skin, eyes and clothing. Do not inhale fuel vapors. If fuel gets into your eyes, rinse immediately with water and contact a doctor. Wash affected skin areas immediately with soap and water. If fuel is swallowed, contact a doctor immediately. Change clothing that has come into contact with fuel.

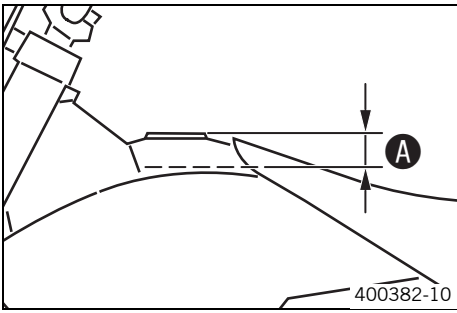


### Warning

**Environmental hazard** Improper handling of fuel is a danger to the environment.

- Do not allow fuel to get into the ground water, the ground, or the sewage system.

- Switch off engine.
- Open the filler cap. ( p. 22)



- Fill the fuel tank with fuel up to measurement **A**.

Guideline

Measurement of <b>A</b>	35 mm (1.38 in)	
Total fuel tank capacity, approx. (EXC-F, EXC-F SIX DAYS, XCF-W)	9.2 l (2.43 US gal)	Super unleaded (ROZ 95 / RON 95 / PON 91) (☛ p. 116)
Total fuel tank capacity, approx. (SX-F)	8.0 l (2.11 US gal)	Super unleaded (ROZ 95 / RON 95 / PON 91) (☛ p. 116)

- Close the filler cap. (☛ p. 23)

## Important maintenance work to be carried out by an authorized KTM workshop

		S3N	S20A	S30A
Engine	Change the engine oil and oil filter, clean the oil screen. 🛠️ (📖 p. 87)	•	•	
	Replace the spark plug.			•
	Check the valve clearance. 🛠️	•	•	
	Check the engine mounting screws for tightness.	•	•	
	Clean the spark plug connectors and check for tightness.	•	•	
	Check that the screws in the shift lever and the kickstarter are tight.	•	•	
Carburetor	Check the carburetor connection boots for cracks and leakage.		•	
	Check the vent hoses for damage and routing without sharp bends.	•	•	
	Check the idle.	•	•	
Attachments	Check the cooling system for leakage.	•	•	
	Check the anti-freeze and coolant level. (📖 p. 79)	•	•	
	Check the exhaust system for leakage and looseness.		•	
	Check the throttle cables for damage, smooth operation and routing without sharp bends.	•	•	
	Check the fluid level of the hydraulic clutch. (📖 p. 83)	•	•	
	Clean the air filter. 🛠️ (📖 p. 82)	•	•	
	Check the cables for damage and routing without sharp bends.		•	
	Check the functioning of the electrical equipment.	•	•	
	Check the headlight setting.		•	
Brakes	Check the front brake linings. (📖 p. 64)	•	•	
	Check the rear brake linings. (📖 p. 67)	•	•	
	Check the brake discs. (📖 p. 61)	•	•	
	Check the brake fluid level of the front brake. (📖 p. 62)	•	•	
	Check the rear brake fluid level. (📖 p. 66)	•	•	
	Check the brake lines for damage and leakage.	•	•	
	Check the free travel of the hand brake lever. (📖 p. 61)	•	•	
	Check the free travel of the foot brake lever. (📖 p. 66)	•	•	
	Check the brake system function.	•	•	
	Check the screws and guide bolts of the rake system for tightness.	•	•	
Chassis	Check the shock absorber and fork for leakage and functioning. 🛠️	•	•	
	Clean the dust boots of the fork legs. (📖 p. 48)		•	
	Bleed fork legs. (📖 p. 48)		•	
	Check the frame and swingarm for damage.		•	
	Check the swingarm bearing.		•	
	Check the steering head bearing play. (📖 p. 49)	•	•	
	Check all screws to see if they are tight.	•	•	
Wheels	Check the spoke tension. (📖 p. 73)	•	•	
	Check the wheel hubs for damage.		•	
	Check the rim run-out.	•	•	
	Check the tire condition. (📖 p. 72)	•	•	
	Check the tire air pressure. (📖 p. 73)	•	•	
	Check the chain wear. (📖 p. 58)	•	•	
	Check the chain tension. (📖 p. 57)	•	•	
	Clean the chain. (📖 p. 56)	•	•	
	Check the wheel bearing for play.	•	•	
Clean and grease the adjusting screws of the chain adjuster.	•	•		

**S3N:** once after three operating hours

**S20A:** every 20 service hours / after every race

**S30A:** every 30 service hours

**Important maintenance work to be carried out by an authorized KTM workshop (as additional order)**

	Competition use				Hobby use				S10N	J1A
	S10A	S20A	S40A	S80A	S20A	S40A	S60A	S80A		
Perform a fork service. (EXC-F, EXC-F SIX DAYS, XCF-W) 🛠️			•	•		•		•	•	
Perform a shock absorber service. (EXC-F, EXC-F SIX DAYS, XCF-W) 🛠️			•	•			•			
Grease the steering head bearing. 🛠️										•
Treat electric contacts with contact spray.										•
Change the hydraulic clutch fluid. 🛠️ (☞ p. 83)										•
Change the front brake fluid. 🛠️										•
Change the rear brake fluid. 🛠️										•
Check the clutch discs for wear. 🛠️		•	•	•		•		•		
Check the clutch. 🛠️		•	•	•		•		•		
Check the cylinder and piston for wear. 🛠️			•	•				•		
Check the camshafts. 🛠️			•	•				•		
Check the valve spring seat. 🛠️			•	•				•		
Check the valves. 🛠️			•	•				•		
Change the valves. 🛠️				•				•		
Check wear of valve guides. 🛠️				•				•		
Change the valve springs. 🛠️			•	•				•		
Check the timing-chain tensioner function. 🛠️			•	•				•		
Check the crankshaft run-out at the bearing pin. 🛠️			•	•				•		
Change the conrod bearing. 🛠️			•	•				•		
Change the crankshaft main bearing. 🛠️				•				•		
Fully check the transmission. 🛠️			•	•				•		
Check the shift mechanism. 🛠️			•	•				•		
Check the spring length of the oil pressure regulator valve. 🛠️			•	•				•		
Change the glass fiber yarn filling of the main silencer. 🛠️	•	•	•	•	•	•	•	•		
Change the foot brake cylinder seals. 🛠️		•	•	•		•		•		
Check/adjust the carburetor components. 🛠️			•	•		•		•		•

**S10A:** every 10 service hours

**S20A:** every 20 service hours / after every race

**S40A:** every 40 service hours

**S60A:** every 60 service hours

**S80A:** every 80 service hours

**S10N:** once after 10 operating hours

**J1A:** annually

## Important maintenance work to be carried out by an authorized KTM workshop

		S3N	S10A	S30A
Engine	Change the engine oil and oil filter, clean the oil screen. 🛠️ (📖 p. 87)	•	•	•
	Replace the spark plug.			•
	Check the valve clearance. 🛠️	•	•	•
	Check the engine mounting screws for tightness.	•	•	•
	Clean the spark plug connectors and check for tightness.	•	•	•
	Check that the screws in the shift lever and the kickstarter are tight.	•	•	•
Carburetor	Check the carburetor connection boots for cracks and leakage.		•	•
	Check the vent hoses for damage and routing without sharp bends.	•	•	•
	Check the idle.	•	•	•
Attachments	Check the cooling system for leakage.	•	•	•
	Check the anti-freeze and coolant level. (📖 p. 79)	•	•	•
	Check the exhaust system for leakage and looseness.		•	•
	Check the throttle cables for damage, smooth operation and routing without sharp bends.	•	•	•
	Check the fluid level of the hydraulic clutch. (📖 p. 83)	•	•	•
	Clean the air filter. 🛠️ (📖 p. 82)	•	•	•
	Check the cables for damage and routing without sharp bends.		•	•
Brakes	Check the front brake linings. (📖 p. 64)	•	•	•
	Check the rear brake linings. (📖 p. 67)	•	•	•
	Check the brake discs. (📖 p. 61)	•	•	•
	Check the brake fluid level of the front brake. (📖 p. 62)	•	•	•
	Check the rear brake fluid level. (📖 p. 66)	•	•	•
	Check the brake lines for damage and leakage.	•	•	•
	Check the free travel of the hand brake lever. (📖 p. 61)	•	•	•
	Check the free travel of the foot brake lever. (📖 p. 66)	•	•	•
	Check the brake system function.	•	•	•
	Check the screws and guide bolts of the brake system for tightness.	•	•	•
Chassis	Check the shock absorber and fork for leakage and functioning. 🛠️	•	•	•
	Clean the dust boots of the fork legs. (📖 p. 48)		•	•
	Bleed fork legs. (📖 p. 48)		•	•
	Check the frame and swingarm for damage.		•	•
	Check the swingarm bearing.		•	•
	Check the steering head bearing play. (📖 p. 49)	•	•	•
	Check all screws to see if they are tight.	•	•	•
Wheels	Check the spoke tension. (📖 p. 73)	•	•	•
	Check the wheel hubs for damage.		•	•
	Check the rim run-out.	•	•	•
	Check the tire condition. (📖 p. 72)	•	•	•
	Check the tire air pressure. (📖 p. 73)	•	•	•
	Check the chain wear. (📖 p. 58)	•	•	•
	Check the chain tension. (📖 p. 57)	•	•	•
	Clean the chain. (📖 p. 56)	•	•	•
	Check the wheel bearing for play.	•	•	•
	Clean and grease the adjusting screws of the chain adjuster.	•	•	•

**S3N:** Once after 3 service hours - corresponds to about 21 liters of fuel (5.55 US gal)

**S10A:** Every 10 service hours - corresponds to about 70 liters of fuel (18.5 US gal) / after every race

**S30A:** Every 30 service hours - corresponds to about 210 liters of fuel (55.5 US gal)

**Important maintenance work to be carried out by an authorized KTM workshop (as additional order)**

	S10A	S20N	S20A	S30A	S40A	S80A	J1A
Conduct a major fork service. (SX-F) 🛠️				•			
Conduct a minor fork service. (SX-F) 🛠️	•		•	•	•	•	
Perform a shock absorber service. (SX-F) 🛠️		•			•	•	
Grease the steering head bearing. 🛠️							•
Treat electric contacts with contact spray.							•
Change the hydraulic clutch fluid. 🛠️ (📄 p. 83)							•
Change the front brake fluid. 🛠️							•
Change the rear brake fluid. 🛠️							•
Check the clutch discs for wear. 🛠️			•		•	•	
Check the clutch. 🛠️			•		•	•	
Check the cylinder and piston for wear. 🛠️					•	•	
Check the camshafts. 🛠️					•	•	
Check the valve spring seat. 🛠️					•	•	
Check the valves. 🛠️					•	•	
Change the valves. 🛠️						•	
Check wear of valve guides.						•	
Change the valve springs. 🛠️					•	•	
Check the timing-chain tensioner function. 🛠️					•	•	
Check the crankshaft run-out at the bearing pin. 🛠️					•	•	
Change the conrod bearing. 🛠️					•	•	
Change the crankshaft main bearing. 🛠️						•	
Fully check the transmission. 🛠️					•	•	
Check the shift mechanism. 🛠️					•	•	
Check the spring length of the oil pressure regulator valve. 🛠️					•	•	
Change the glass fiber yarn filling of the main silencer. 🛠️	•		•	•	•	•	
Change the foot brake cylinder seals. 🛠️			•		•	•	
Check/adjust the carburetor components. 🛠️					•	•	•

**S10A:** Every 10 service hours - corresponds to about 70 liters of fuel (18.5 US gal) / after every race

**S20N:** Once after 20 service hours - corresponds to about 140 liters of fuel (37 US gal)

**S20A:** Every 20 service hours - corresponds to about 140 liters of fuel (37 US gal)

**S30A:** Every 30 service hours - corresponds to about 210 liters of fuel (55.5 US gal)

**S40A:** Every 40 service hours - corresponds to about 280 liters of fuel (74 US gal)

**S80A:** Every 80 service hours - corresponds to about 560 liters of fuel (148 US gal)

**J1A:** annually

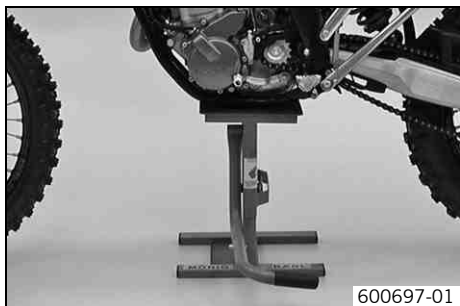


## Important checks and maintenance work to be carried out by the rider

	NB1A
Check the engine oil level. (🔧 p. 87)	•
Check the brake fluid level of the front brake. (🔧 p. 62)	•
Check the rear brake fluid level. (🔧 p. 66)	•
Check the front brake linings. (🔧 p. 64)	•
Check the rear brake linings. (🔧 p. 67)	•
Check and adjust the cables.	•
Bleed fork legs. (🔧 p. 48)	•
Clean the dust boots of the fork legs. (🔧 p. 48)	•
Clean the chain. (🔧 p. 56)	•
Check the chain tension. (🔧 p. 57)	•
Check the chain wear. (🔧 p. 58)	•
Check rear sprocket/engine sprocket for wear. (🔧 p. 57)	•
Clean the air filter. 🌀 (🔧 p. 82)	•
Check the tire air pressure. (🔧 p. 73)	•
Check the tire condition. (🔧 p. 72)	•
Check the coolant level. (🔧 p. 79)	•
Empty the carburetor float chamber. 🌀 (🔧 p. 86)	•
Check all controls for smooth operation.	•
Check braking.	•
Check all screws, nuts and hose clamps regularly for tightness.	•

**NB1A:** Depending on conditions of use according to requirements.

## Jacking up the motorcycle



**Note**

**Danger of damage** The parked vehicle can roll away or fall over.

- Always place the vehicle on a firm and even surface.
- Jack up the motorcycle underneath the engine. The wheels should no longer touch the ground.

Work stand (54829055000)
--------------------------

- Secure the motorcycle against falling over.

## Removing the motorcycle from the work stand

**Note**

**Danger of damage** The parked vehicle can roll away or fall over.

- Always place the vehicle on a firm and even surface.
- Remove the motorcycle from the work stand.
- Remove the work stand.

## Checking the basic suspension setting with the rider's weight



**Info**

When adjusting the basic suspension setting, first adjust the shock absorber and then the fork.

- For optimal motorcycle riding characteristics and to avoid damage to forks, shock absorbers, swing arm and frame, the basic settings of the suspension components must match your body weight.
- As delivered, KTM off-road motorcycles are adjusted for a standard rider weight (with full protective clothing).

Guideline

Standard rider weight	75... 85 kg (165... 187 lb.)
-----------------------	------------------------------

- If your weight is above or below the standard range, you have to adjust the basic setting of the suspension components accordingly.
- Small weight differences can be compensated by adjusting the spring preload, but in the case of large weight differences, the springs must be replaced.

## Compression damping of shock absorber

The shock absorber can regulate compression damping separately in the low-speed and high-speed ranges (Dual Compression Control). The terms low-speed and high-speed refers to the movement of the shock absorber during compression and not to the riding speed of the motorcycle.

Changes in the settings in the low-speed range have an impact on the high-speed range and vice versa.

## Adjusting high-speed compression damping of the shock absorber



**Danger**

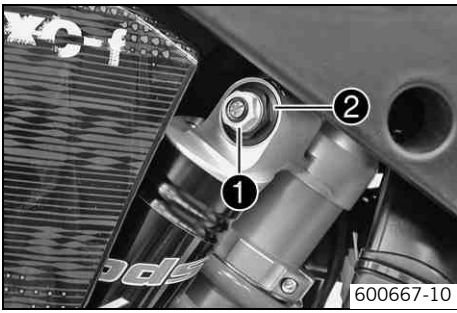
**Danger of accidents** Disassembly of pressurized parts can lead to injury.

- The shock absorber is filled with high density nitrogen. Adhere to the description provided. (Your authorized KTM workshop will be glad to help.)



**Info**

The high-speed setting can be seen during the fast compression of the shock absorber.



- Turn adjusting screw ❶ all the way clockwise with a ring wrench.

**i Info**  
Do not loosen nut ❷!

- Turn back counterclockwise by the number of turns corresponding to the shock absorber type.

Guideline

**(EXC-F, EXC-F SIX DAYS, XCF-W)**

Compression damping, high-speed	
Comfort	2 turns
Standard	1.5 turns
Sport	1.25 turns

**(SX-F)**

Compression damping, high-speed	
Comfort	2 turns
Standard	1.5 turns
Sport	1 turn

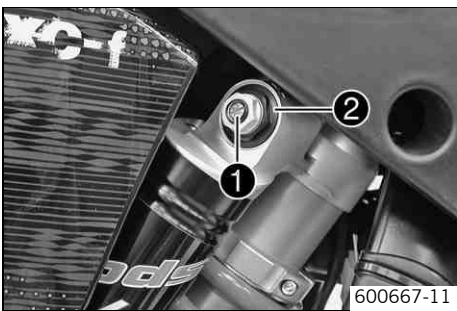
**i Info**  
Turn clockwise to increase damping; turn counterclockwise to reduce damping.

## Adjusting the low-speed compression damping of the shock absorber

**⚠ Danger**  
**Danger of accidents** Disassembly of pressurized parts can lead to injury.

- The shock absorber is filled with high density nitrogen. Adhere to the description provided. (Your authorized KTM workshop will be glad to help.)

**i Info**  
The low-speed setting can be seen during the slow to normal compression of the shock absorber.



- Turn adjusting screw ❶ clockwise with a screwdriver to the last click.

**i Info**  
Do not loosen nut ❷!

- Turn back counterclockwise by the number of clicks corresponding to the shock absorber type.

Guideline

**(EXC-F, EXC-F SIX DAYS, XCF-W)**

Compression damping, low-speed	
Comfort	22 clicks
Standard	20 clicks
Sport	15 clicks

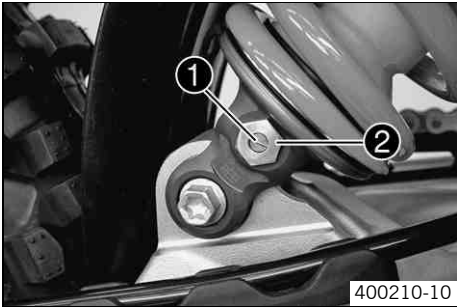
**(SX-F)**

Compression damping, low-speed	
Comfort	17 clicks
Standard	15 clicks
Sport	13 clicks

**i Info**  
Turn clockwise to increase damping; turn counterclockwise to reduce damping.

## Adjusting the rebound damping of the shock absorber

- Danger**  
**Danger of accidents** Disassembly of pressurized parts can lead to injury.
- The shock absorber is filled with high density nitrogen. Adhere to the description provided. (Your authorized KTM workshop will be glad to help.)



- Turn adjusting screw ❶ clockwise with a screwdriver to the last click.

**i Info**  
 Do not loosen nut ❷!

- Turn back counterclockwise by the number of clicks corresponding to the shock absorber type.

Guideline

**(EXC-F, EXC-F SIX DAYS, XCF-W)**

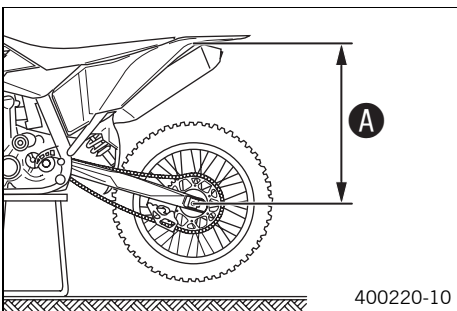
Rebound damping	
Comfort	26 clicks
Standard	24 clicks
Sport	22 clicks

**(SX-F)**

Rebound damping	
Comfort	24 clicks
Standard	22 clicks
Sport	22 clicks

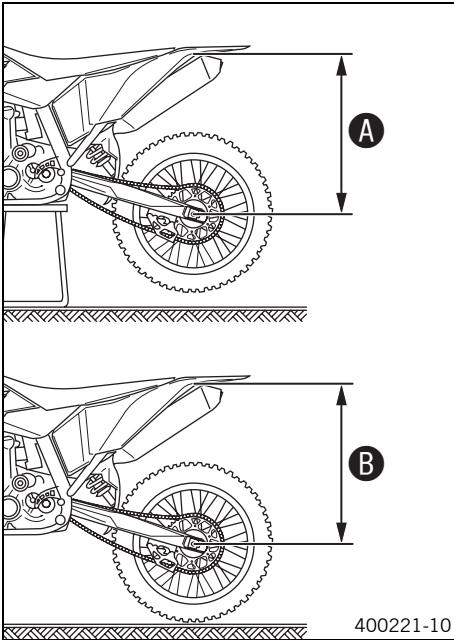
**i Info**  
 Turn clockwise to increase damping; turn counterclockwise to reduce damping.

## Measuring rear wheel sag unloaded



- Jack up the motorcycle. (☛ p. 40)
- Measure the distance – as vertical as possible – between the rear axle and a fixed point, for example, a mark on the side cover.
- Make a note of the value as measurement A.
- Remove the motorcycle from the work stand. (☛ p. 40)

## Checking the static sag of the shock absorber



- Measure distance **A** of rear wheel unloaded. (☞ p. 42)
- Ask someone to help you by holding the motorcycle upright.
- Measure the distance between the rear axle and the fixed point again.
- Make a note of the value as measurement **B**.

**i Info**

The static sag is the difference between measurements **A** and **B**.

- Check the static sag.  
**(EXC-F, EXC-F SIX DAYS, XCF-W)**

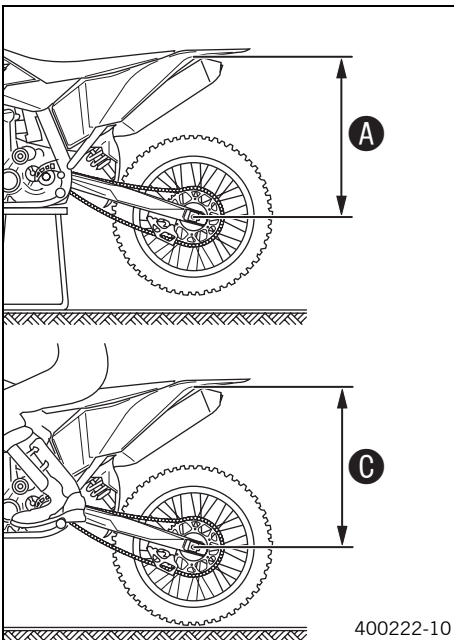
Static sag	35 mm (1.38 in)
------------	-----------------

**(SX-F)**

Static sag	33 mm (1.3 in)
------------	----------------

- » If the static sag is less or more than the specified value:
  - Adjust the spring preload of the shock absorber. ☞ (☞ p. 43)

## Checking the riding sag of the shock absorber



- Measure distance **A** of rear wheel unloaded. (☞ p. 42)
- With the help of a second person to steady the motorcycle, the rider wearing a full set of protective clothing sits on the motorcycle in the normal seating position (with feet on the footrests). Then depress and release the rear of the motorcycle repeatedly so that the rear suspension is returned to the normal operating position.
- The other person now measures the distance between the rear axle and the fixed point again.
- Make a note of the value as measurement **C**.

**i Info**

The riding sag is the difference between measurements **A** and **C**.

- Check the riding sag.  
**(EXC-F, EXC-F SIX DAYS, XCF-W)**

Riding sag	105 mm (4.13 in)
------------	------------------

**(SX-F)**

Riding sag	105 mm (4.13 in)
------------	------------------

- » If the riding sag differs from the specified measurement:
  - Adjust the riding sag. ☞ (☞ p. 44)

## Adjusting the spring preload of the shock absorber ☞

**! Danger**

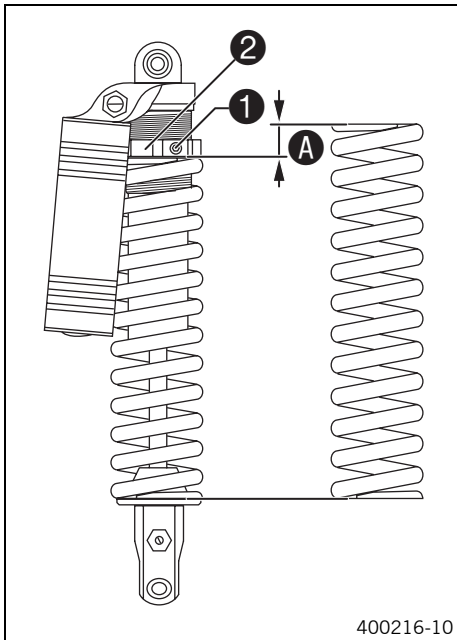
**Danger of accidents** Disassembly of pressurized parts can lead to injury.

- The shock absorber is filled with high density nitrogen. Adhere to the description provided. (Your authorized KTM workshop will be glad to help.)

**i Info**

Before changing the spring preload, make a note of the present setting, e.g., by measuring the length of the spring.

- Remove shock absorber. ☞ (☞ p. 45)
- After removing the shock absorber, clean it thoroughly.



- Loosen screw ❶.
- Turn adjusting ring ❷ until the spring is no longer under tension.

Combination wrench (50329080000)
Hook wrench (T106S)

- Measure the overall spring length when not under tension.
- Tighten the spring by turning adjusting ring ❷ to measurement A.

Guideline

**(EXC-F, EXC-F SIX DAYS, XCF-W)**

Spring preload	8 mm (0.31 in)
----------------	----------------

**(SX-F)**

Spring preload	6 mm (0.24 in)
----------------	----------------

**i Info**

Depending on the static sag and/or the riding sag, it may be necessary to increase or decrease the spring preload.

- Tighten screw ❶.

Guideline

Screw, shock absorber adjusting ring	M6	5 Nm (3.7 lbf ft)
--------------------------------------	----	-------------------

- Install the shock absorber. 🛠️ (👉 p. 45)

## Adjusting the riding sag 🛠️

- Remove shock absorber. 🛠️ (👉 p. 45)
- After removing the shock absorber, clean it thoroughly.
- Choose and mount a suitable spring.

Guideline

**(EXC-F, EXC-F SIX DAYS, XCF-W)**

Spring rate	
Weight of rider: 65... 75 kg (143... 165 lb.)	66 N/mm (377 lb/in)
Weight of rider: 75... 85 kg (165... 187 lb.)	69 N/mm (394 lb/in)
Weight of rider: 85... 95 kg (187... 209 lb.)	72 N/mm (411 lb/in)

**(SX-F)**

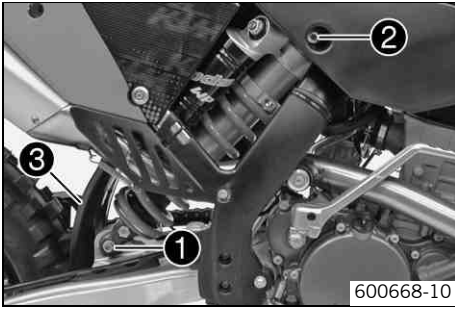
Spring rate	
Weight of rider: 65... 75 kg (143... 165 lb.)	66 N/mm (377 lb/in)
Weight of rider: 75... 85 kg (165... 187 lb.)	69 N/mm (394 lb/in)
Weight of rider: 85... 95 kg (187... 209 lb.)	72 N/mm (411 lb/in)

**i Info**

The spring rate is shown on the outside of the spring.  
Smaller weight differences can be compensated by changing the spring preload.

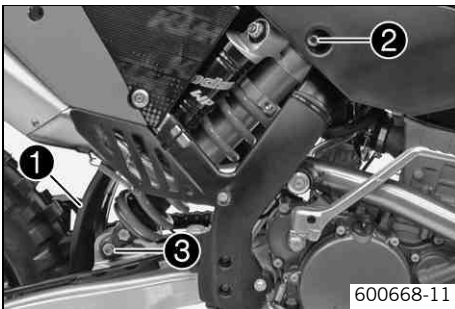
- Install the shock absorber. 🛠️ (👉 p. 45)
- Check the static sag of the shock absorber. (👉 p. 43)
- Check the riding sag of the shock absorber. (👉 p. 43)
- Adjust the rebound damping of the shock absorber. (👉 p. 42)

## Removing the shock absorber ↩



- Jack up the motorcycle. (↩ p. 40)
- Remove screw ❶ and lower the rear wheel with the swing arm as far as possible without blocking the rear wheel. Fix the rear wheel in this position.
- Remove screw ❷, push splash protector ❸ to the side, and remove the shock absorber.

## Installing the shock absorber ↩



- Push splash protector ❶ to the side and position the shock absorber. Mount and tighten screw ❷.

Guideline

Screw, top shock absorber	M12	80 Nm (59 lbf ft)	<b>Loctite® 243™</b>
---------------------------	-----	----------------------	----------------------

- Mount and tighten screw ❸.

Guideline

Screw, bottom shock absorber	M12	80 Nm (59 lbf ft)	<b>Loctite® 243™</b>
------------------------------	-----	----------------------	----------------------

**i** **Info**

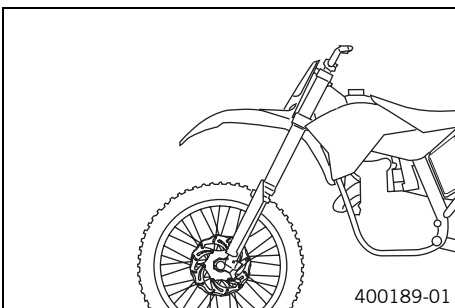
The heim joint for the shock absorber at the swing arm is Teflon coated. It must not be greased with grease or with other lubricants. Lubricants dissolve the Teflon coating, thereby drastically reducing the service life.

- Remove the motorcycle from the work stand. (↩ p. 40)

## Checking basic setting of fork

**i** **Info**

For various reasons, no exact riding sag can be determined for the forks.

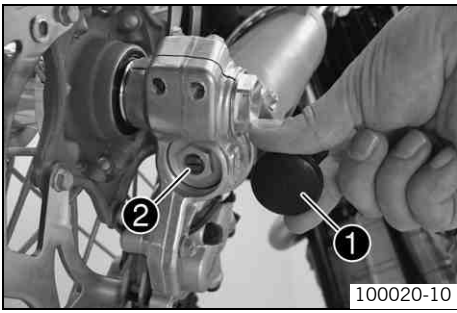


- As with the shock absorber, smaller weight differences can be compensated by the spring preload.
- However, if your fork is often overloaded (hits the bump stops on compression), it is recommended to fit stiffer springs to avoid damage to the fork and frame.

## Adjusting the compression damping of the fork

**i** **Info**

The hydraulic compression damping determines the fork suspension behavior.



**(EXC-F, EXC-F SIX DAYS, XCF-W)**

- Remove protection covers ❶.
- Turn adjusting screws ❷ clockwise all the way.

**i Info**  
Adjusting screws ❷ are located at the bottom end of the fork legs. Make the same adjustment on both fork legs.

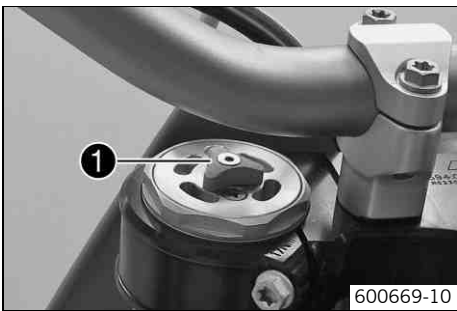
- Turn back counterclockwise by the number of clicks corresponding to the fork type.

Guideline

Compression damping	
Comfort	26 clicks
Standard	22 clicks
Sport	18 clicks

**i Info**  
Turn clockwise to increase damping; turn counterclockwise to reduce damping.

- Mount protection covers ❶.



**(SX-F)**

- Turn adjusting screws ❶ clockwise all the way.

**i Info**  
Adjusting screws ❶ are located at the top end of the fork legs. Make the same adjustment on both fork legs.

- Turn back counterclockwise by the number of clicks corresponding to the fork type.

Guideline

**(SX-F EU)**

Compression damping	
Comfort	14 clicks
Standard	12 clicks
Sport	10 clicks

**(SX-F USA)**

Compression damping	
Comfort	14 clicks
Standard	12 clicks
Sport	10 clicks

**i Info**  
Turn clockwise to increase damping; turn counterclockwise to reduce damping.

## Adjusting the rebound damping of the fork

**i Info**  
The hydraulic rebound damping determines the fork suspension behavior.



**(EXC-F, EXC-F SIX DAYS, XCF-W)**

- Turn adjusting screws ❶ clockwise all the way.

**i Info**  
Adjusting screws ❶ are located at the top end of the fork legs. Make the same adjustment on both fork legs.

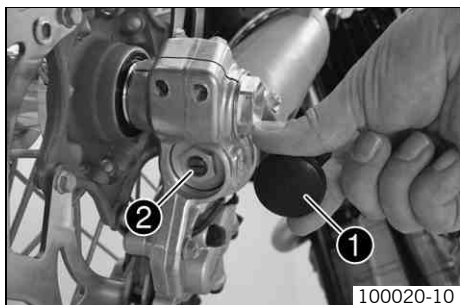
- Turn back counterclockwise by the number of clicks corresponding to the fork type.



Guideline

Rebound damping	
Comfort	24 clicks
Standard	20 clicks
Sport	20 clicks

**i Info**  
Turn clockwise to increase damping; turn counterclockwise to reduce damping.



**(SX-F)**

- Remove protection covers ❶.
- Turn adjusting screws ❷ clockwise all the way.

Guideline

**(SX-F EU)**

Rebound damping	
Comfort	14 clicks
Standard	12 clicks
Sport	10 clicks

**(SX-F USA)**

Rebound damping	
Comfort	14 clicks
Standard	12 clicks
Sport	10 clicks

**i Info**  
Adjusting screws ❷ are located at the bottom end of the fork legs. Make the same adjustment on both fork legs.

- Turn back counterclockwise by the number of clicks corresponding to the fork type.

**i Info**  
Turn clockwise to increase damping; turn counterclockwise to reduce damping.

- Mount protection covers ❶.

**Adjusting the spring preload of the fork (EXC-F, EXC-F SIX DAYS, XCF-W)**



- Turn the adjusting screws counterclockwise all the way.

**i Info**  
Make the same adjustment on both fork legs.

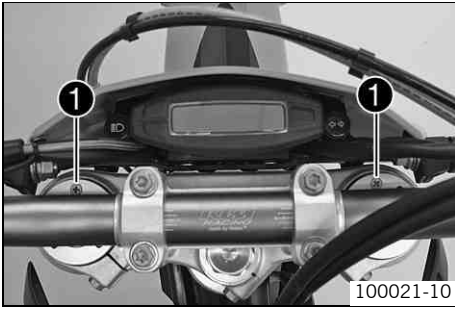
- Turn back clockwise by the number of turns corresponding to the fork type.

Guideline

Spring preload - <b>Preload Adjuster</b>	
Comfort	0 turn
Standard	2 turns
Sport	4 turns

**i Info**  
Turn clockwise to increase spring preload; turn counterclockwise to reduce spring preload.  
Adjusting the spring preload has no influence on the absorption setting of the rebound damping.  
Basically, however, you should set the rebound damping higher with a higher spring preload.

## Bleeding fork legs



- Jack up the motorcycle. (☞ p. 40)
- Remove bleeder screws ❶ briefly.
  - ✓ Any excess pressure escapes from the interior of the fork.
- Mount and tighten bleeder screws.
- Remove the motorcycle from the work stand. (☞ p. 40)

## Cleaning the dust boots of the fork legs



- Jack up the motorcycle. (☞ p. 40)
- Loosen the fork protector. (☞ p. 48)
- Push dust boots ❶ of both fork legs downwards.

**Info**  
The dust boots should remove dust and coarse dirt particles from the fork tubes. Over time, there is an ingress of dirt inside the boots. If this dirt is not removed, it may cause the oil seals to leak.

**Warning**  
**Danger of accidents** Reduced braking efficiency due to oil or grease on the brake discs.

- Always keep the brake discs free of oil and grease, and clean them with brake cleaner when necessary.

- Clean and oil the dust boots and inner fork tube of both fork legs.

Universal oil spray (☞ p. 118)

- Press the dust boots back into their normal position.
- Remove excess oil.
- Position the fork protection. (☞ p. 48)
- Remove the motorcycle from the work stand. (☞ p. 40)

## Loosening the fork protector



- Remove screws ❶ and remove the clamp.
- Remove screws ❷ on the left fork leg. Push the fork protector downwards.
- Remove the screws on the right fork leg. Push the fork protector downwards.

## Positioning the fork protection



- Position the fork protection on the left fork leg. Mount and tighten screws ❶.  
Guideline

Remaining screws, chassis	M6	10 Nm (7.4 lbf ft)
---------------------------	----	--------------------

**(EXC-F, EXC-F SIX DAYS, XCF-W)**

- Position the wiring harness.
- Position the brake line. Put the clamp on, mount and tighten screws ❷.
- Position the fork protection on the right fork leg. Mount and tighten the screws.

Guideline

Remaining screws, chassis	M6	10 Nm (7.4 lbf ft)
---------------------------	----	--------------------

## Checking steering head bearing play



### Warning

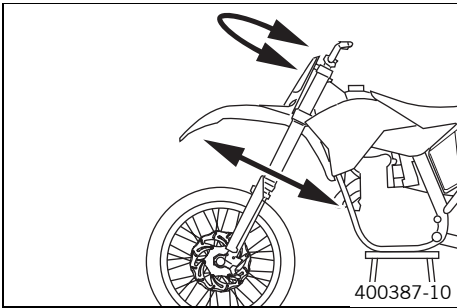
**Danger of accidents** Unstable vehicle handling from incorrect steering head bearing play.

- Adjust the steering head bearing play without delay. (Your authorized KTM workshop will be glad to help.)



### Info

If the bike is driven for a longer time with play in the steering head bearing, the bearing and the bearing seats in the frame can be damaged after time.



- Jack up the motorcycle. (☞ p. 40)
- Move the handlebar to the straight-ahead position. Move the fork legs to and fro in the direction of travel.

No play should be noticeable in the steering head bearing.

» If there is noticeable play present:

**(SX-F, 250 EXC-F SIX DAYS EU)**

- Adjust the play of the steering head bearing. ☞ (☞ p. 50)

**(EXC-F EU, EXC-F AUS, XCF-W ZA)**

- Adjust play of the steering head bearing. ☞ (☞ p. 49)

- Move the handlebar to and fro over the entire steering range.

The handlebar must be able to move easily over the entire steering range. No resting locations should be noticeable.

» If click positions are noticeable:

**(SX-F, 250 EXC-F SIX DAYS EU)**

- Adjust the play of the steering head bearing. ☞ (☞ p. 50)

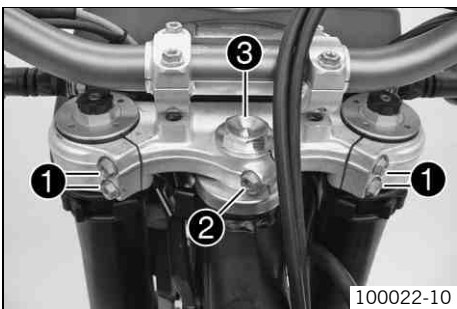
**(EXC-F EU, EXC-F AUS, XCF-W ZA)**

- Adjust play of the steering head bearing. ☞ (☞ p. 49)

- Check the steering head bearing and replace if required.

- Remove the motorcycle from the work stand. (☞ p. 40)

## Adjusting play of steering head bearing ☞ (EXC-F EU, EXC-F AUS, XCF-W ZA)



- Jack up the motorcycle. (☞ p. 40)
- Loosen screws ❶ and ❷.
- Loosen and retighten screw ❸.

Guideline

Screw, top steering head	M20x1.5	10 Nm (7.4 lbf ft)
--------------------------	---------	--------------------

- Using a plastic hammer, tap lightly on the upper triple clamp to avoid strains.
- Fully tighten screw ❶.

Guideline

Screw, top triple clamp	M8	20 Nm (14.8 lbf ft)
-------------------------	----	---------------------

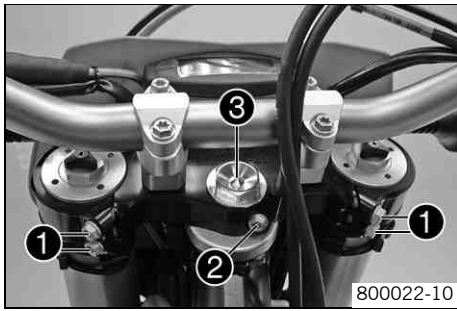
- Tighten screw ❷.

Guideline

Screw, top steering stem	M8	20 Nm (14.8 lbf ft)
--------------------------	----	---------------------

- Check the steering head bearing play. (☞ p. 49)

## Adjusting the play of the steering head bearing (SX-F, 250 EXC-F SIX DAYS EU)



- Jack up the motorcycle. (☞ p. 40)

### (250 EXC-F SIX DAYS EU)

- Loosen screws ❶. Remove screw ❷.
- Loosen and retighten screw ❸.

Guideline

Screw, top steering head	M20x1.5	10 Nm (7.4 lbf ft)
--------------------------	---------	-----------------------

- Using a plastic hammer, tap lightly on the upper triple clamp to avoid strains.
- Fully tighten screws ❶.

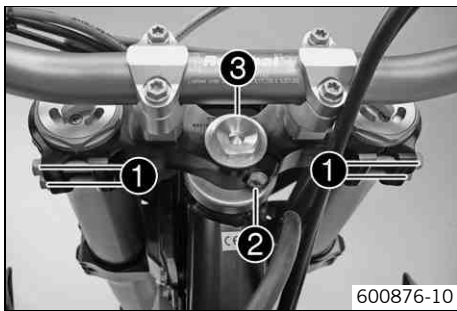
Guideline

Screw, top triple clamp	M8	17 Nm (12.5 lbf ft)
-------------------------	----	------------------------

- Mount and tighten screw ❷.

Guideline

Screw, top steering stem	M8	17 Nm (12.5 lbf ft)	<b>Loctite® 243™</b>
--------------------------	----	------------------------	----------------------



### (SX-F)

- Loosen screws ❶. Remove screw ❷.
- Loosen and retighten screw ❸.

Guideline

Screw, top steering head	M20x1.5	10 Nm (7.4 lbf ft)
--------------------------	---------	-----------------------

- Using a plastic hammer, tap lightly on the upper triple clamp to avoid strains.
- Fully tighten screws ❶.

Guideline

Screw, top triple clamp	M8	17 Nm (12.5 lbf ft)
-------------------------	----	------------------------

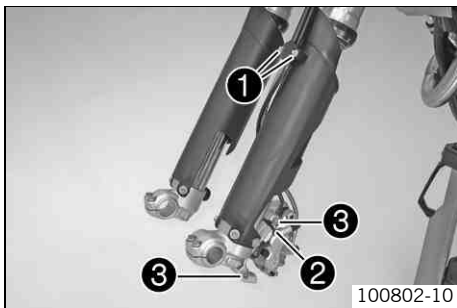
- Mount and tighten screw ❷.

Guideline

Screw, top steering stem	M8	17 Nm (12.5 lbf ft)	<b>Loctite® 243™</b>
--------------------------	----	------------------------	----------------------

- Check the steering head bearing play. (☞ p. 49)

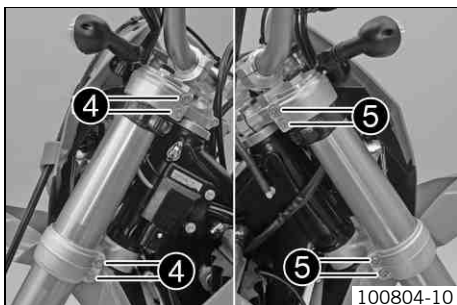
## Removing the fork legs



- Remove front wheel. (☞ p. 69)
- Remove screws ❶ and take off the clamp.

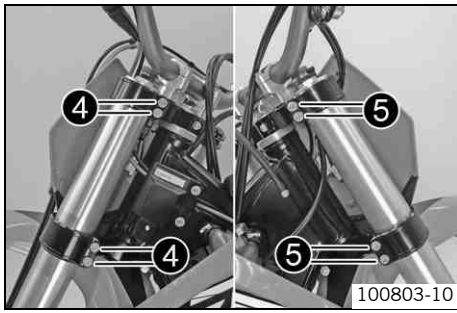
### (EXC-F, EXC-F SIX DAYS, XCF-W)

- Remove cable clip ❷.
- Remove screws ❸ and take off the brake caliper.
- Hang the brake caliper and the brake line loosely to the side.



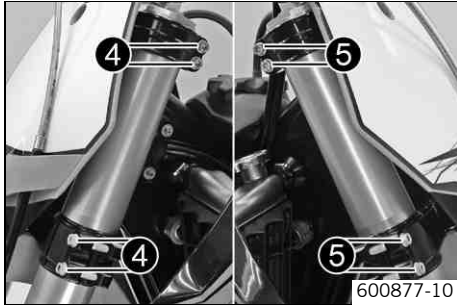
### (EXC-F EU, EXC-F AUS, XCF-W ZA)

- Loosen screws ❹. Remove the fork leg on the left.
- Loosen screws ❺. Remove the fork leg on the right.



**(250 EXC-F SIX DAYS EU)**

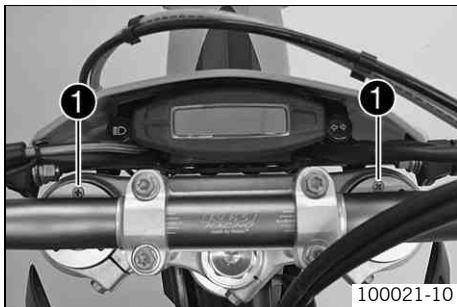
- Loosen screws ④. Remove the fork leg on the left.
- Loosen screws ⑤. Remove the fork leg on the right.



**(SX-F)**

- Loosen screws ④. Remove the fork leg on the left.
- Loosen screws ⑤. Remove the fork leg on the right.

**Installing the fork legs** ↘

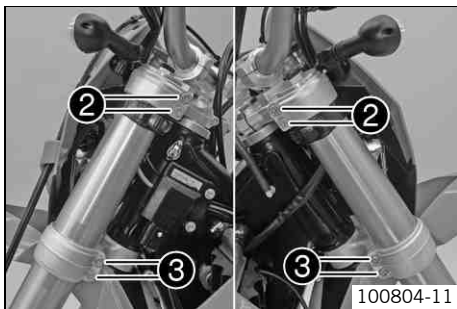


- Position the fork legs.



**Info**

The topmost sunk nut in the fork leg must be flush to the upper edge of the upper triple clamp.  
Position bleeder screws ① toward the front.



**(EXC-F EU, EXC-F AUS, XCF-W ZA)**

- Fully tighten screws ②.

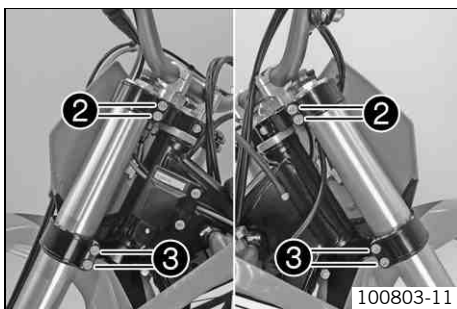
Guideline

Screw, top triple clamp	M8	20 Nm (14.8 lbf ft)
-------------------------	----	------------------------

- Fully tighten screws ③.

Guideline

Screw, bottom triple clamp	M8	15 Nm (11.1 lbf ft)
----------------------------	----	------------------------



**(250 EXC-F SIX DAYS EU)**

- Fully tighten screws ②.

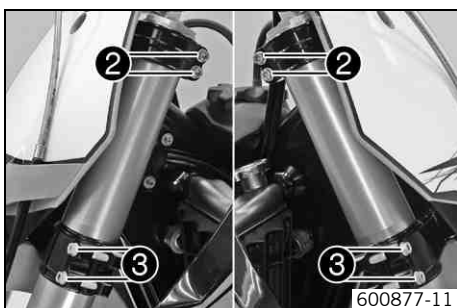
Guideline

Screw, top triple clamp	M8	17 Nm (12.5 lbf ft)
-------------------------	----	------------------------

- Fully tighten screws ③.

Guideline

Screw, bottom triple clamp	M8	12 Nm (8.9 lbf ft)
----------------------------	----	-----------------------



**(SX-F)**

- Fully tighten screws ②.

Guideline

Screw, top triple clamp	M8	17 Nm (12.5 lbf ft)
-------------------------	----	------------------------

- Fully tighten screws ③.

Guideline

Screw, bottom triple clamp	M8	12 Nm (8.9 lbf ft)
----------------------------	----	-----------------------

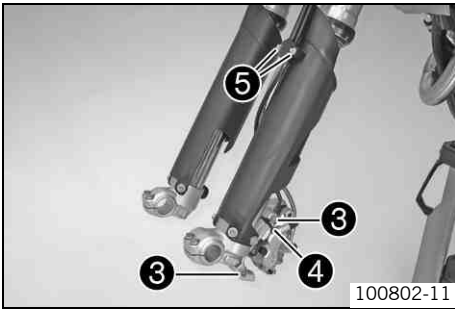
- Position the brake caliper and mount and tighten screws ③.

Guideline

Screw, front brake caliper	M8	25 Nm (18.4 lbf ft)	<b>Loctite® 243™</b>
----------------------------	----	------------------------	----------------------

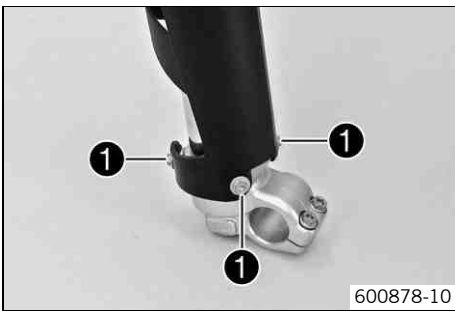
**(EXC-F, EXC-F SIX DAYS, XCF-W)**

- Mount cable clip ④.
- Position the wiring harness.
- Position the brake line. Put the clamp on and mount and tighten screws ⑤.
- Install the front wheel. 🛠️ (📄 p. 70)



## Removing the fork protector 🛠️

- Remove the fork legs. (📄 p. 50)
- Remove screws ① on the left fork leg. Remove the fork protector upwards.
- Remove the screws on the right fork leg. Remove the fork protector upwards.



## Installing the fork protector 🛠️

- Position the fork protection on the left fork leg. Mount and tighten screws ①.

Guideline

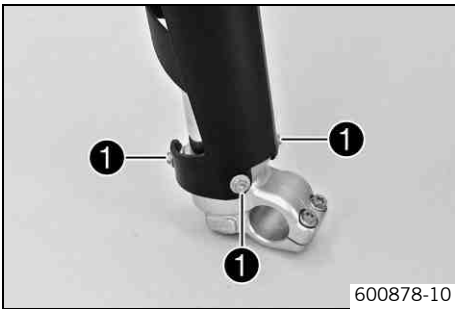
Remaining screws, chassis	M6	10 Nm (7.4 lbf ft)
---------------------------	----	--------------------

- Position the fork protection on the right fork leg. Mount and tighten the screws.

Guideline

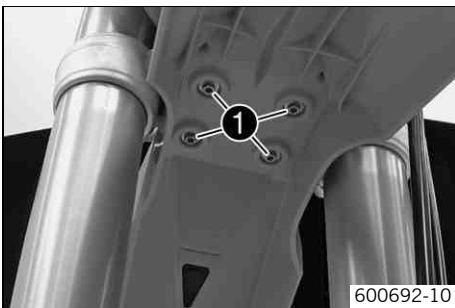
Remaining screws, chassis	M6	10 Nm (7.4 lbf ft)
---------------------------	----	--------------------

- Install the fork legs. 🛠️ (📄 p. 51)

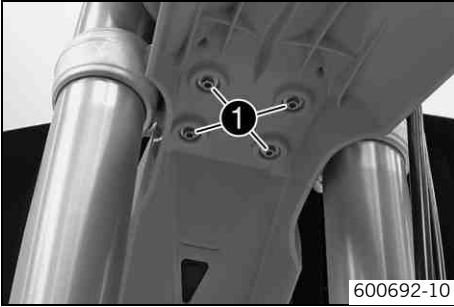


## Removing the front fender 🛠️

- Remove screws ①. Remove the front fender.
- Make sure the spacers remain in place.



## Installing the front fender



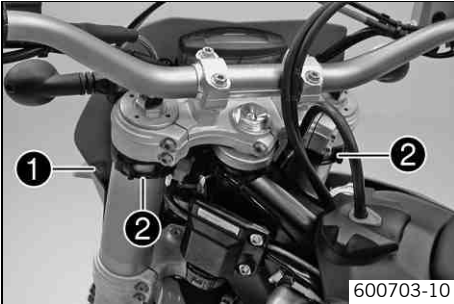
- Ensure that the spacers are mounted in the fender.
- Position the front fender. Mount and tighten screws ❶.

### Guideline

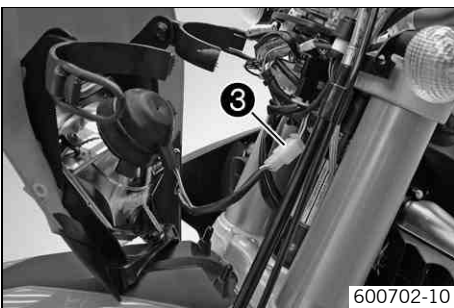
Remaining screws, chassis	M6	10 Nm (7.4 lbf ft)
---------------------------	----	--------------------

- i Info**  
Make sure the holding lugs engage in the start number plate or headlight mask.

## Removing headlight mask with headlight (EXC-F, EXC-F SIX DAYS, XCF-W)

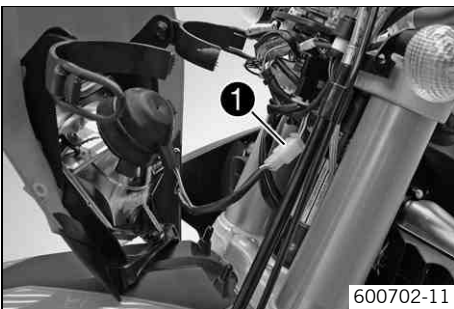


- Switch off all electrical equipment.
- Remove screw ❶ and take off clamp.
- Loosen the rubber band ❷. Push up the headlight mask and swing it forwards.

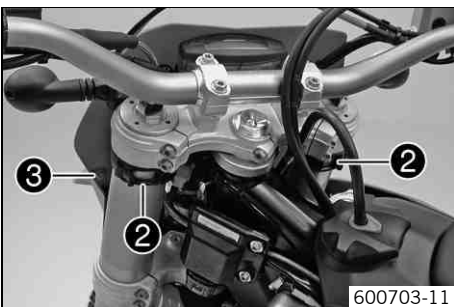


- Pull out the electric plug connector ❸ and remove the headlight mask with the headlight.

## Refitting the headlight mask with the headlight (EXC-F, EXC-F SIX DAYS, XCF-W)



- Connect the electric plug connector ❶.

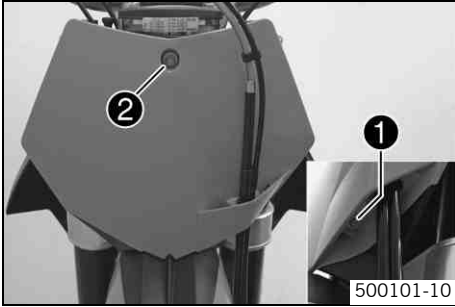


- Position the headlight mask and fix it with the rubber band ❷.

- i Info**  
Ensure that the retaining lugs engage in the fender.

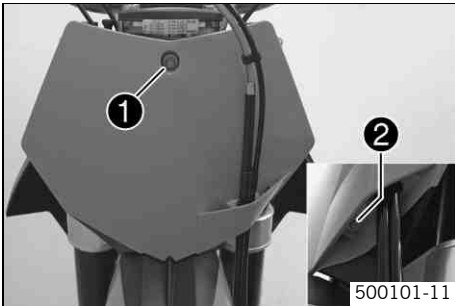
- Position the brake line and wiring harness. Put the clamp on, mount and tighten screw ❸.
- Check the headlight adjustment. (☛ p. 76)

## Removing the start number plate (SX-F)



- Remove screw ❶ and take off clamp.
- Remove screw ❷ with the spacer. Remove the start number plate.

## Installing the start number plate (SX-F)



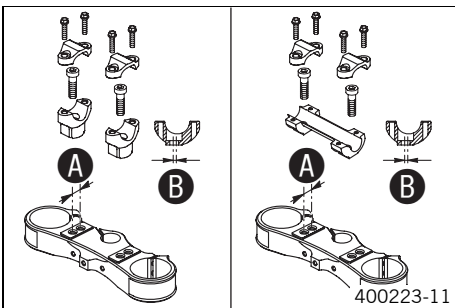
- Position the start number plate. Mount and tighten screw ❶ with the spacer.
- Guideline

Remaining screws, chassis	M6	10 Nm (7.4 lbf ft)
---------------------------	----	--------------------

**i Info**  
Take care with the contact of the holding lug at the fender.

- Position the brake line and wiring harness. Put the clamp on, mount and tighten screw ❷.

## Handlebar position



On the upper triple clamp, there are 2 holes at a distance of **A** to each other.

Distance <b>A</b> between holes	15 mm (0.59 in)
---------------------------------	-----------------

The holes on the handlebar support are placed at a distance of **B** from the center.

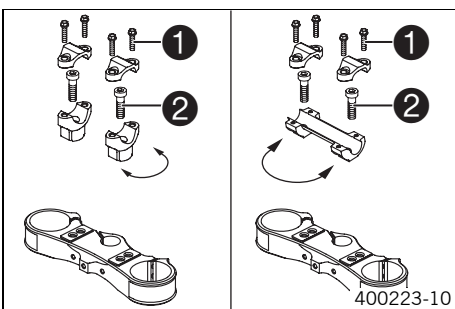
Distance <b>B</b> between holes	3.5 mm (0.138 in)
---------------------------------	-------------------

The handlebar supports can be mounted in 4 different positions.

## Adjusting handlebar position ↩

**Warning**  
**Danger of accidents** Handlebar breakage.

- If the handlebar is bent or straightened it will cause material fatigue, and the handlebar can break. Always replace handlebar.



- Remove the four screws ❶. Remove the handlebar clamps. Remove the handlebar and lay it to one side.

**i Info**  
Protect the motorcycle and its attachments against damage by covering them.  
Do not bend the cables and lines.

- Remove the two screws ❷. Remove the handlebar support.
- Place the handlebar support in the required position. Fit and tighten the two screws ❷.

Guideline

Screw, handlebar support	M10	40 Nm (29.5 lbf ft)	<b>Loctite® 243™</b>
--------------------------	-----	---------------------	----------------------

**i Info**  
Position the left and right handlebar supports evenly.



- Position the handlebars.



**Info**

Make sure cables and wiring are positioned correctly.

- Position the handlebar clamps. Fit and evenly tighten the four screws ①.

Guideline

Screw, handlebar clamp	M8	20 Nm (14.8 lbf ft)
------------------------	----	------------------------



**Info**

Make sure the gap width is even.

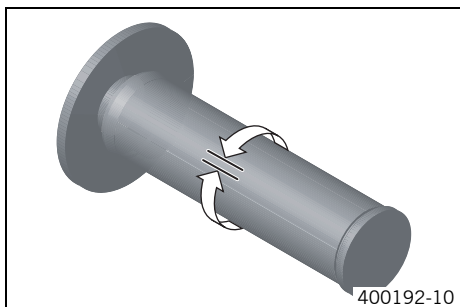
## Checking throttle cable route



600672-10

- The two throttle cables must run parallel behind the handlebar down to the frame. They must be routed directly to the right of the frame above the tank bracket towards the carburetor.

## Checking the play in the throttle cable



400192-10

- Move the handlebar to the straight-ahead position. Move the throttle grip backwards and forwards to ascertain the play in the throttle cable.

Play in throttle cable	3... 5 mm (0.12... 0.2 in)
------------------------	----------------------------

- » If the throttle cable play does not meet specifications:
  - Adjust the play in the throttle cable. 🛠️ (📄 p. 56)



**Danger**

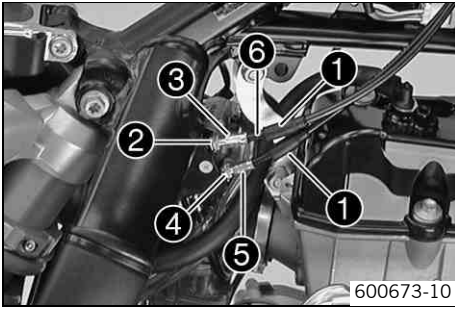
**Danger of poisoning** Exhaust gases are poisonous and inhaling them may result in unconsciousness and/or death.

- When running the engine, always make sure there is sufficient ventilation, and do not start or run the engine in an enclosed space without an effective exhaust extraction system.
- Start the engine and let it run idle. Move the handlebar to and fro over the entire steering range.

The idle speed must not change.
---------------------------------

- » If the idle speed changes:
  - Adjust the play in the throttle cable. 🛠️ (📄 p. 56)

## Adjusting the play in the throttle cable ↩



600673-10

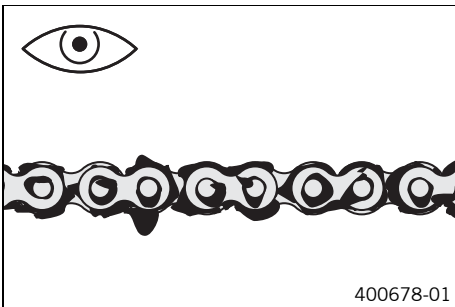
- Dismount the fuel tank. (↩ p. 77)
- Check throttle cable route. (↩ p. 55)
- Move the handlebar to the straight-ahead position.
- Push back bellows ①.
- Loosen nut ②. Turn adjusting screw ③ in as far as possible.
- Loosen nut ④. Turn adjusting screw ⑤ so that there is play in the gas throttle cable at the throttle grip.

### Guideline

Play in throttle cable	3... 5 mm (0.12... 0.2 in)
------------------------	----------------------------

- Tighten nut ④.
- Press and hold the throttle grip in the closed setting. Turn adjusting screw ③ out until there is no play in the throttle cable ⑥.
- Tighten nut ②.
- Push bellows ① on. Check the throttle grip for smooth operation.
- Install the fuel tank. (↩ p. 78)
- Check the play in the throttle cable. (↩ p. 55)

## Checking for chain dirt accumulation



400678-01

- Check the chain for coarse dirt accumulation.
  - » If the chain is very dirty:
    - Clean the chain. (↩ p. 56)

## Cleaning the chain



### Warning

**Danger of accidents** Oil or grease on the tires reduces their grip.

- Remove oil and grease with a suitable cleaning material.



### Warning

**Danger of accidents** Reduced braking efficiency due to oil or grease on the brake discs.

- Always keep the brake discs free of oil and grease, and clean them with brake cleaner when necessary.



### Warning

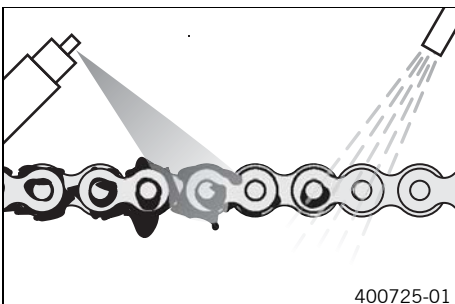
**Environmental hazard** Hazardous substances cause environmental damage.

- Oil, grease, filters, fuel, cleaners, brake fluid, etc., should be disposed of as stipulated in applicable regulations.



### Info

The service life of the chain depends largely on its maintenance.



400725-01

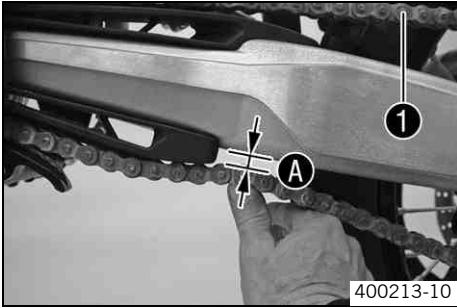
- Clean the chain regularly and then treat with chain spray.

Chain cleaner (↩ p. 117)
Off-road chain spray (↩ p. 117)

## Checking the chain tension

**Warning**  
**Danger of accidents** Danger caused by incorrect chain tension.

- If the chain tension is too high, the components of the secondary power train (chain, engine sprocket, rear sprocket, bearings in transmission and rear wheel) are under additional load. Apart from premature wear, in extreme cases the chain can rupture or the countershaft of the transmission can break. On the other hand, if the chain is loose, it can fall off the engine sprocket or the rear sprocket and block the rear wheel or damage the engine. Check the chain tension and correct if necessary.



- Jack up the motorcycle. (☛ p. 40)
- Push the chain up at the rear edge of the chain guide to measure the chain tension **A**.

**i Info**  
 The upper chain section **1** must be taut.  
 Chain wear is not always even, so you should repeat this measurement at different chain positions.

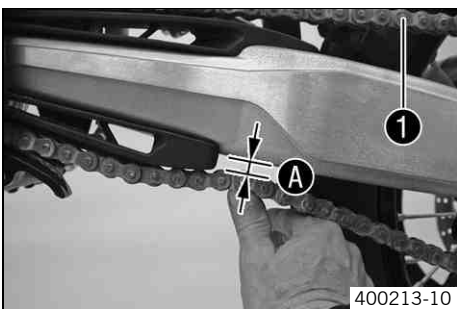
Chain tension	8... 10 mm (0.31... 0.39 in)
---------------	------------------------------

- » If the chain tension does not meet specifications:
  - Adjusting chain tension - after checking. (☛ p. 59)
- Remove the motorcycle from the work stand. (☛ p. 40)

## Checking chain tension when fitting rear wheel

**Warning**  
**Danger of accidents** Danger caused by incorrect chain tension.

- If the chain tension is too high, the components of the secondary power train (chain, engine sprocket, rear sprocket, bearings in transmission and rear wheel) are under additional load. Apart from premature wear, in extreme cases the chain can rupture or the countershaft of the transmission can break. On the other hand, if the chain is loose, it can fall off the engine sprocket or the rear sprocket and block the rear wheel or damage the engine. Check the chain tension and correct if necessary.



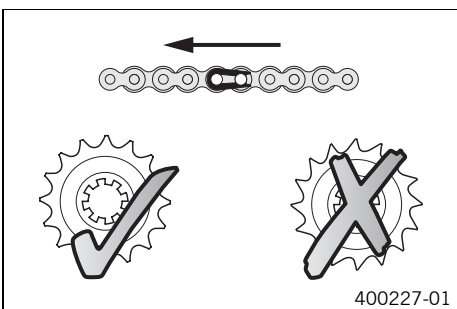
- Make sure that the chain adjusters are fitted correctly on the adjusting screws.
- Push the chain up at the rear edge of the chain guide to measure the chain tension **A**.

**i Info**  
 The upper chain section **1** must be taut.  
 Chain wear is not always even, so you should repeat this measurement at different chain positions.

Chain tension	8... 10 mm (0.31... 0.39 in)
---------------	------------------------------

- » If the chain tension does not meet specifications:
  - Adjust the chain tension when fitting rear wheel. (☛ p. 60)

## Checking the rear sprocket/engine sprocket for wear

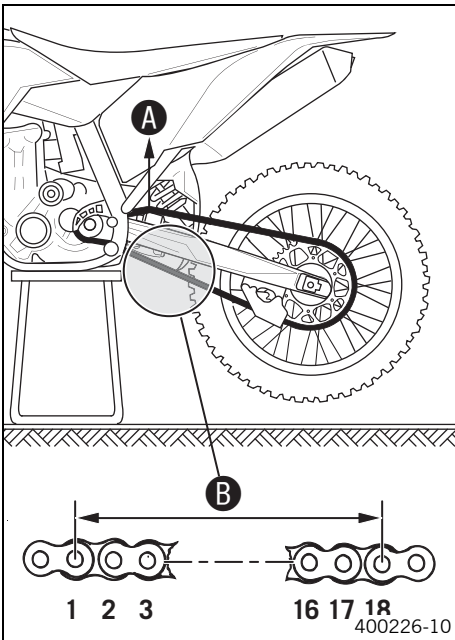


- Check rear sprocket/engine sprocket for wear.
  - » If the rear sprocket / engine sprocket are worn:
    - Replace the rear sprocket/engine sprocket.

**i Info**  
 When fitting the split link, always make sure that the closed side of the locking clip faces forward (riding direction).  
 The engine sprocket, rear sprocket and chain should always be replaced together.

- Check the chain guide for tightness and wear.

## Checking chain wear



- Jack up the motorcycle. (☛ p. 40)
- Shift transmission to neutral.
- Pull on the upper part of the chain with the specified weight **A**.

Guideline

Weight of chain wear measurement	10... 15 kg (22... 33 lb.)
----------------------------------	----------------------------

- Measure the distance **B** of 18 chain links in the lower chain section.

**i Info**  
Chain wear is not always even, so you should repeat this measurement at different chain positions.

Maximum distance <b>B</b> at the longest chain section	272 mm (10.71 in)
--	-------------------

- » If the distance **B** is greater than the specified measurement:
  - Replace the chain.

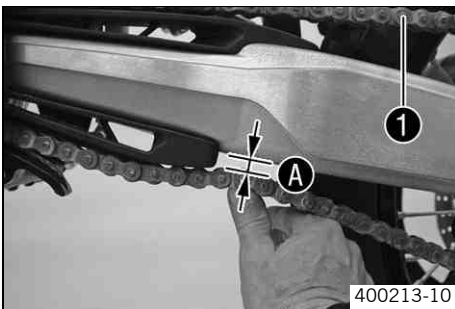
**i Info**  
When you replace the chain, you should also replace rear sprocket and engine sprocket.  
New chains wear out faster on old, worn sprockets.

- Remove the motorcycle from the work stand. (☛ p. 40)

## Adjusting chain tension

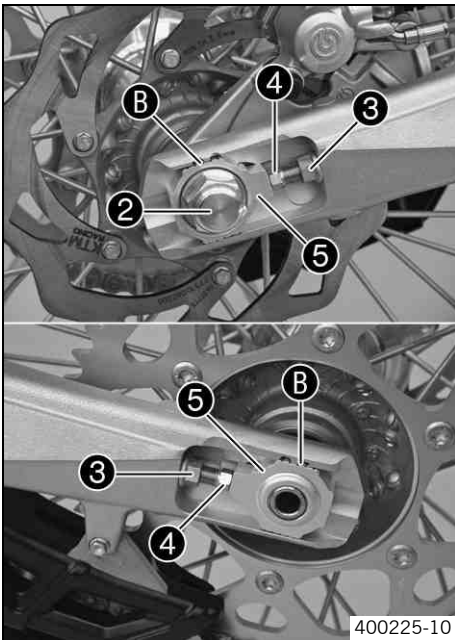
**Warning**  
**Danger of accidents** Danger caused by incorrect chain tension.

- If the chain tension is too high, the components of the secondary power train (chain, engine sprocket, rear sprocket, bearings in transmission and rear wheel) are under additional load. Apart from premature wear, in extreme cases the chain can rupture or the countershaft of the transmission can break. On the other hand, if the chain is loose, it can fall off the engine sprocket or the rear sprocket and block the rear wheel or damage the engine. Check the chain tension and correct if necessary.



- Jack up the motorcycle. (☛ p. 40)
- Push the chain up at the rear edge of the chain guide to measure the chain tension **A**.

**i Info**  
The upper chain section **1** must be taut.  
Chain wear is not always even, so you should repeat this measurement at different chain positions.



400225-10

- Loosen nut ②.
- Loosen nuts ③.
- Adjust the chain tension by turning the adjusting screws ④ left and right.

Guideline

Chain tension	8... 10 mm (0.31... 0.39 in)	
Turn adjusting screws ④ on the left and right so that the markings on the left and right chain adjusters are in the same position relative to the reference marks ③. The rear wheel is then correctly aligned.		

- Tighten nuts ③.
- Make sure that chain adjusters ⑤ are fitted correctly on adjusting screws ④.
- Tighten nut ②.

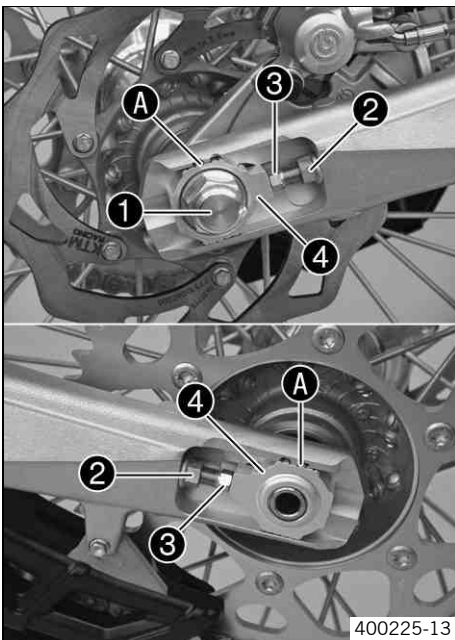
Guideline

Nut, rear wheel spindle	M20x1.5	80 Nm (59 lbf ft)
-------------------------	---------	-------------------

**i Info**  
The wide adjustment range of the chain adjusters (32 mm) enables different secondary transmissions with the same chain length. Chain adjusters ⑤ can be turned by 180°.

- Remove the motorcycle from the work stand. (☛ p. 40)

## Adjusting chain tension - after checking



400225-13

- Loosen nut ①.
- Loosen nuts ②.
- Adjust the chain tension by turning the adjusting screws ③ left and right.

Guideline

Chain tension	8... 10 mm (0.31... 0.39 in)	
Turn the adjusting screws ③ left and right so that the markings on the left and right chain adjusters are in the same position relative to the reference marks ④. The rear wheel is then correctly aligned.		

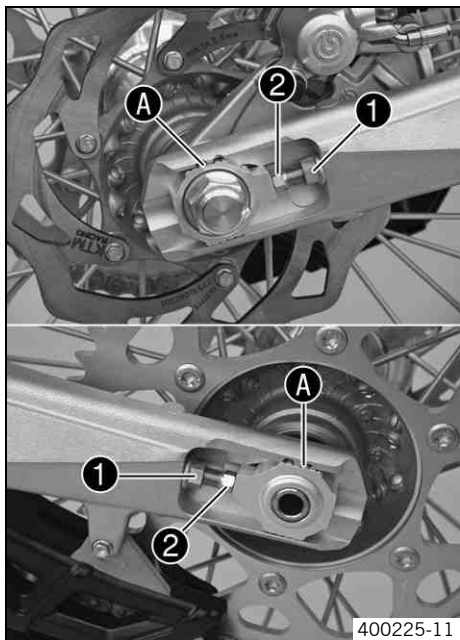
- Tighten nuts ②.
- Make sure that the chain adjusters ④ are fitted correctly on the adjusting screws ③.
- Tighten nut ①.

Guideline

Nut, rear wheel spindle	M20x1.5	80 Nm (59 lbf ft)
-------------------------	---------	-------------------

**i Info**  
The wide adjustment range of the chain adjusters (32 mm) enables different secondary transmissions with the same chain length. The chain adjusters ④ can be turned by 180°.

## Adjusting chain tension - fitting rear wheel



400225-11

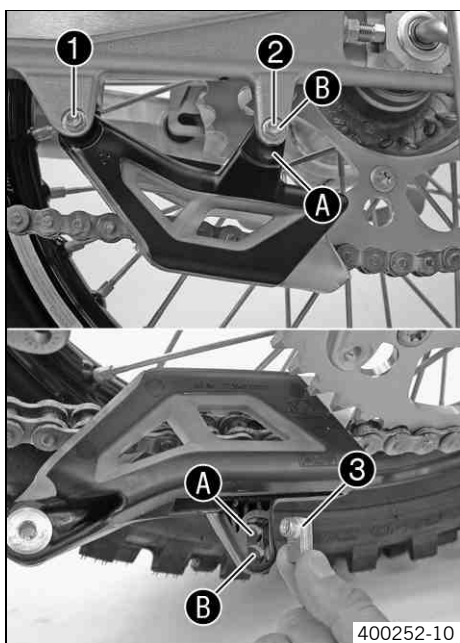
- Loosen nuts ❶.
- Adjust the chain tension by turning the adjusting screws ❷ left and right.

Guideline

Chain tension	8... 10 mm (0.31... 0.39 in)
Turn the adjusting screws ❷ left and right so that the markings on the left and right chain adjusters are in the same position relative to the reference marks A. The rear wheel is then correctly aligned.	

- Tighten nuts ❶.

## Adjusting the chain guide ↘ (EXC-F, EXC-F SIX DAYS, XCF-W)



400252-10

- Remove screws ❶ and ❷. Take off the chain guide.

**Condition**

Number of teeth: ≤ 44 teeth

- Insert nut ❸ in hole A. Position the chain guide.
- Mount and tighten screws ❶ and ❷.

Guideline

Remaining screws, chassis	M6	10 Nm (7.4 lbf ft)
---------------------------	----	-----------------------

**Condition**

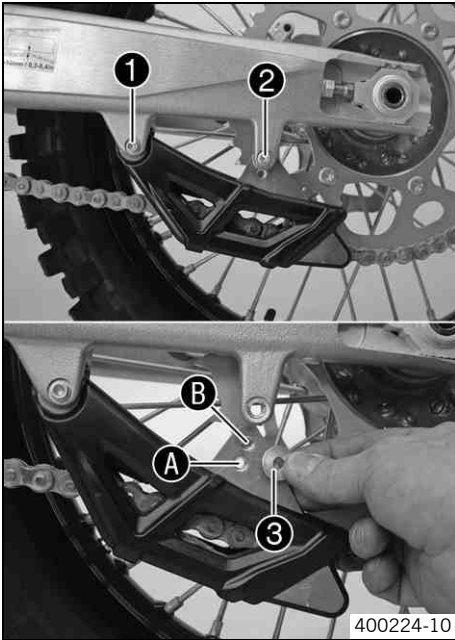
Number of teeth: ≥ 45 teeth

- Insert nut ❸ in hole B. Position the chain guide.
- Mount and tighten screws ❶ and ❷.

Guideline

Remaining screws, chassis	M6	10 Nm (7.4 lbf ft)
---------------------------	----	-----------------------

## Adjusting the chain guide ↩ (SX-F)



- Loosen screw ❶. Remove screw ❷. Push the chain guide down.

### Condition

Number of teeth: ≤ 44 teeth

- Insert collar sleeve ❸ in hole ❹. Position the chain guide.
- Mount and tighten screw ❷. Tighten screw ❶.

Guideline

Remaining screws, chassis	M6	10 Nm (7.4 lbf ft)
---------------------------	----	-----------------------

### Condition

Number of teeth: ≥ 45 teeth

- Insert collar sleeve ❸ in hole ❺. Position the chain guide.
- Mount and tighten screw ❷. Tighten screw ❶.

Guideline

Remaining screws, chassis	M6	10 Nm (7.4 lbf ft)
---------------------------	----	-----------------------

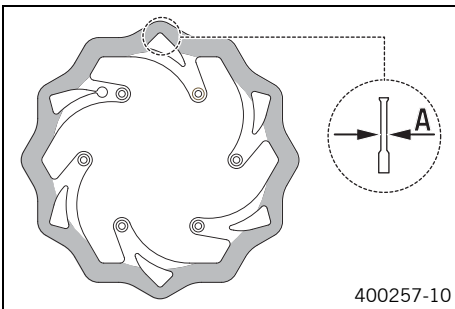
## Checking brake discs



### Warning

**Danger of accidents** Reduced braking efficiency due to worn brake disc(s).

- Change the worn brake disc(s) without delay. (Your authorized KTM workshop will be glad to help.)



- Check the thickness of the front and rear brake discs at several places on the disk to see if it conforms to measurement ❶.



### Info

Wear reduces the thickness of the brake disc around the area used by the brake linings.

Brake discs - wear limit	
Front	2.5 mm (0.098 in)
Rear	3.5 mm (0.138 in)

- » If the brake disc thickness is less than the specified value:
  - Change the brake disc.
- Check the front and rear brake discs for damage, cracking and deformation.
  - » If the brake disc shows signs of damage, cracking or deformation:
    - Change the brake disc.

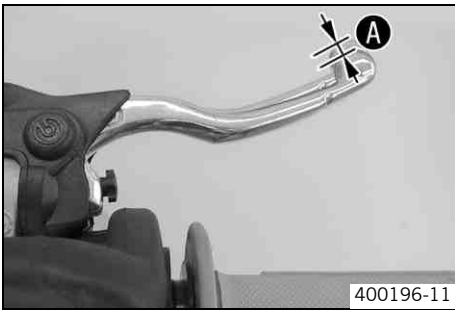
## Checking free travel of hand brake lever



### Warning

**Danger of accidents** Brake system failure.

- If there is no free travel on the hand brake lever, pressure builds up in the front brake circuit. The front brake can fail due to overheating. Adjust free travel on hand brake lever according to specifications.



**(XCF-W, SX-F)**

- Push the hand brake lever forwards and check free travel **A**.

Free travel of hand brake lever	≥ 3 mm (≥ 0.12 in)
---------------------------------	--------------------

- » If the free travel does not meet specifications:
  - adjust the basic position of hand brake lever. (☛ p. 62)



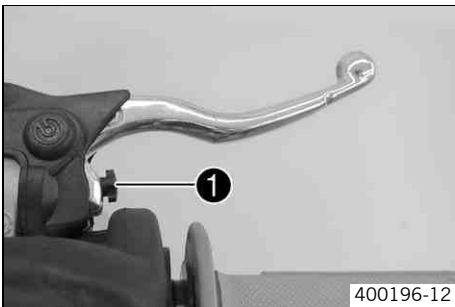
**(EXC-F, EXC-F SIX DAYS)**

- Push the hand brake to the handlebar and check free travel **A**.

Free travel of hand brake lever	≥ 3 mm (≥ 0.12 in)
---------------------------------	--------------------

- » If the free travel does not meet specifications:
  - Adjust the free travel of the hand brake lever. (☛ p. 62)

### Adjusting basic position of hand brake lever (XCF-W, SX-F)

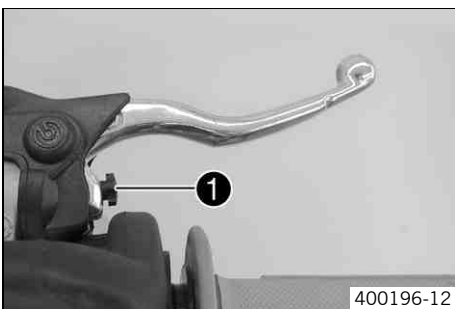


- Check the free travel of the hand brake lever. (☛ p. 61)
- Adjust the basic setting of the hand brake lever to your hand size by turning adjusting screw **1**.

**i Info**

Turn the adjusting screw clockwise to increase the distance between the hand brake lever and the handlebar.  
 Turn the adjusting screw counterclockwise to decrease the distance between the hand brake lever and the handlebar.  
 The range of adjustment is limited.  
 Turn the adjusting screw by hand only, and do not apply any force.  
 Do not make any adjustments while riding!

### Adjusting free travel of hand brake lever (EXC-F, EXC-F SIX DAYS)



- Check the free travel of the hand brake lever. (☛ p. 61)
- Adjust the free travel of the hand brake lever with adjusting screw **1**.

**i Info**

Turn the adjustment screw clockwise to reduce free travel. The pressure point moves away from the handlebar.  
 Turn the adjustment screw counterclockwise to increase free travel. The pressure point moves towards the handlebar.  
 The range of adjustment is limited.  
 Turn the adjusting screw by hand only, and do not apply any force.  
 Do not make any adjustments while riding!

### Checking the brake fluid level of the front brake



**Warning**  
**Danger of accidents** Failure of the brake system.

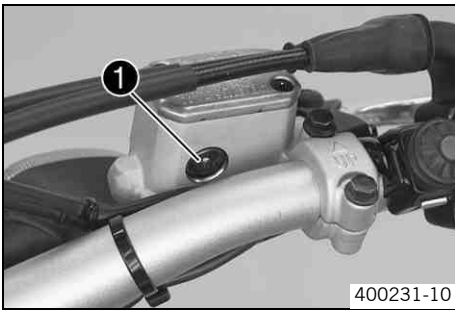
- If the brake fluid level falls below the **MIN** mark, this indicates a leakage in the brake system or worn-out brake linings. Check the brake system and do not continue riding. (Your authorized KTM workshop will be glad to help.)



**Warning**  
**Danger of accidents** Reduced braking effect caused by old brake fluid.

- Change the brake fluid of the front and rear brakes according to the service schedule. (Your authorized KTM workshop will be glad to help.)





400231-10

- Move the brake fluid reservoir mounted on the handlebar to a horizontal position.
- Check the brake fluid level in viewer ❶.
  - » If the brake fluid is below the **MIN** mark:
    - Top up the brake fluid of the front brake. 🛠️ (📖 p. 63)

## Topping up the front brake fluid 🛠️

**Warning**  
**Danger of accidents** Failure of the brake system.

- If the brake fluid level falls below the **MIN** mark, this indicates a leakage in the brake system or worn-out brake linings. Check the brake system and do not continue riding. (Your authorized KTM workshop will be glad to help.)

**Warning**  
**Skin irritation** Brake fluid can cause skin irritation on contact.

- Avoid contact with skin and eyes, and keep out of the reach of children.
- Wear suitable protective clothing and goggles.
- If brake fluid gets into your eyes, rinse thoroughly with water and contact a doctor immediately.

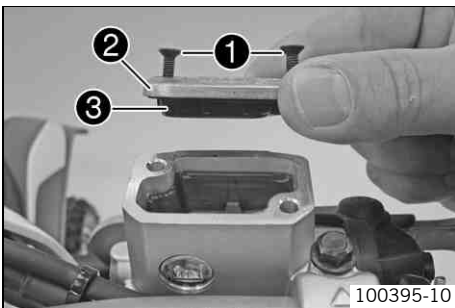
**Warning**  
**Danger of accidents** Reduced braking effect caused by old brake fluid.

- Change the brake fluid of the front and rear brakes according to the service schedule. (Your authorized KTM workshop will be glad to help.)

**Warning**  
**Environmental hazard** Hazardous substances cause environmental damage.

- Oil, grease, filters, fuel, cleaners, brake fluid, etc., should be disposed of as stipulated in applicable regulations.

**i Info**  
 Never use DOT 5 brake fluid! This is based on silicone oil and is colored purple. Oil seals and brake lines are not designed for DOT 5 brake fluid.  
 Avoid contact between brake fluid and painted parts. Brake fluid is corrosive!  
 Use only clean brake fluid from a sealed container!



100395-10

- Move the brake fluid reservoir mounted on the handlebar to a horizontal position.
- Remove screws ❶.
- Remove cover ❷ with membrane ❸.
- Add brake fluid to level A.

Guideline

Measurement of A	5 mm (0.2 in)
------------------	---------------

Brake fluid DOT 4 / DOT 5.1 (📖 p. 116)
--

- Position the cover with the membrane. Mount and tighten the screws.

**i Info**  
 Clean up overflowed or spilt brake fluid immediately with water.

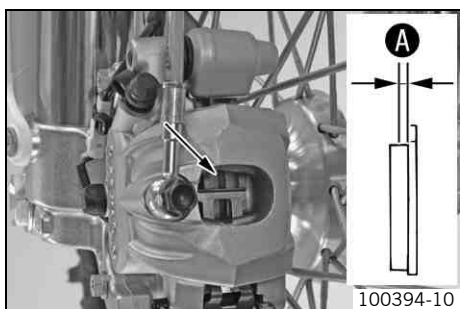
## Checking the front brake linings



### Warning

**Danger of accidents** Reduced braking efficiency caused by worn brake linings.

- Change worn brake linings immediately. (Your authorized KTM workshop will be glad to help.)



- Check the brake linings for minimum thickness **A**.

Minimum thickness <b>A</b>	$\geq 1 \text{ mm } (\geq 0.04 \text{ in})$
----------------------------	---

- » If the minimum thickness is less than specified:
  - Change the front brake linings. 🛠️ (📄 p. 64)
- Check the brake linings for damage and cracking.
  - » If damage or cracking is visible:
    - Change the front brake linings. 🛠️ (📄 p. 64)

## Changing the front brake linings 🛠️



### Warning

**Danger of accident** Brake system failure.

- Maintenance work and repairs must be carried out professionally. (Your authorized KTM workshop will be glad to help.)



### Warning

**Skin irritation** Brake fluid can cause skin irritation on contact.

- Avoid contact with skin and eyes, and keep out of the reach of children.
- Wear suitable protective clothing and goggles.
- If brake fluid gets into your eyes, rinse thoroughly with water and contact a doctor immediately.



### Warning

**Danger of accidents** Reduced braking effect caused by old brake fluid.

- Change the brake fluid of the front and rear brakes according to the service schedule. (Your authorized KTM workshop will be glad to help.)



### Warning

**Danger of accidents** Reduced braking efficiency due to oil or grease on the brake discs.

- Always keep the brake discs free of oil and grease, and clean them with brake cleaner when necessary.



### Warning

**Danger of accidents** Reduced braking efficiency due to use of non-approved brake linings.

- Brake linings available from accessory suppliers are often not tested and approved for use on KTM vehicles. The construction and friction factor of the brake linings and therefore the brake power can differ considerably from the original KTM brake linings. If brake linings are used that differ from the originals, there is no guarantee that they comply with the original license. The vehicle no longer corresponds to the condition at delivery, and the warranty is no longer valid.



### Warning

**Environmental hazard** Hazardous substances cause environmental damage.

- Oil, grease, filters, fuel, cleaners, brake fluid, etc., should be disposed of as stipulated in applicable regulations.

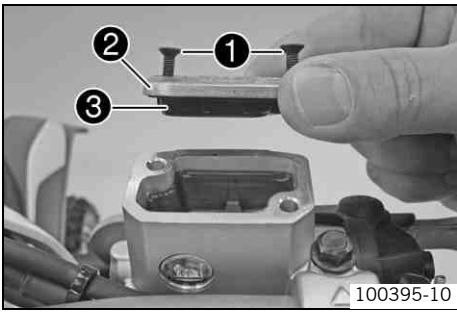


### Info

Never use DOT 5 brake fluid! This is based on silicone oil and is colored purple. Oil seals and brake lines are not designed for DOT 5 brake fluid.

Avoid contact between brake fluid and painted parts. Brake fluid attacks paint!

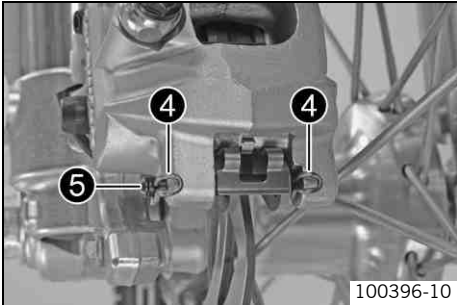
Use only clean brake fluid from a sealed container!



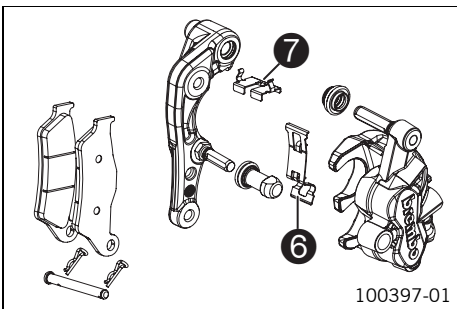
- Move the brake fluid reservoir mounted on the handlebar to a horizontal position.
- Remove screws **1**.
- Remove cover **2** with membrane **3**.
- Press the brake caliper onto the brake disc by hand in order to push back the brake pistons. Ensure that brake fluid does not overflow from the brake fluid reservoir, using suction to remove it if it does.

**i** **Info**

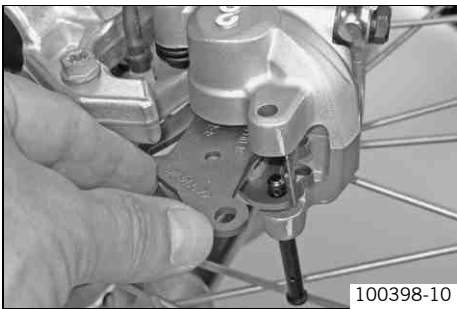
Make sure when pushing back the brake pistons that you do not press the brake caliper against the spokes.



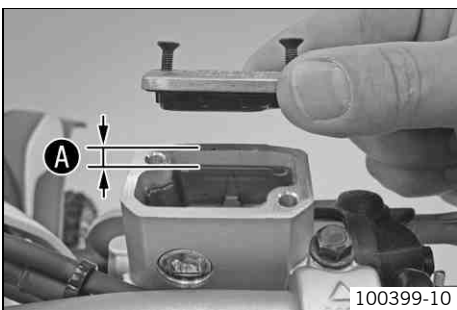
- Remove locking split pins **4**, withdraw bolt **5**, and take out the brake linings.
- Clean the brake caliper and brake caliper support.



- Check that leaf spring **6** in the brake caliper and sliding plate **7** in the brake caliper support are seated correctly.



- Fit the brake linings, insert the bolt, and mount the locking split pins.
- Operate the hand brake lever repeatedly until the brake linings lie on the brake disc and there is a pressure point.



- Correct the brake fluid quantity to level **A**.

Guideline

Measurement of <b>A</b>	5 mm (0.2 in)
Brake fluid DOT 4 / DOT 5.1 (☞ p. 116)	

- Position the cover with the membrane. Mount and tighten the screws.

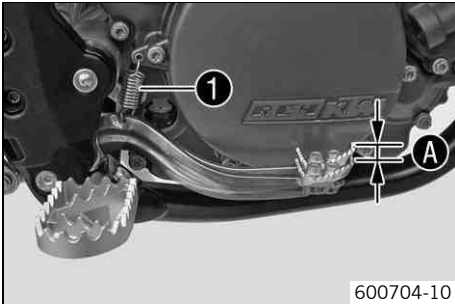
**i** **Info**

Clean up overflowed or spilt brake fluid immediately with water.

## Checking free travel of foot brake lever

**Warning**  
**Danger of accidents** Brake system failure.

- If there is no free travel on the foot brake lever, pressure builds up on the rear brake circuit. The rear brake can fail due to overheating. Adjust free travel on foot brake lever according to specifications.



- Disconnect spring ①.
- Move the foot brake lever backwards and forwards between the end stop and the foot brake cylinder piston bracket and check free travel ④.

Guideline

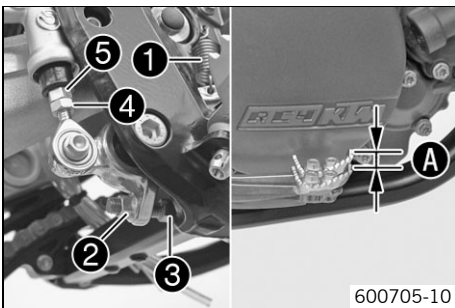
Free travel at foot brake lever	3... 5 mm (0.12... 0.2 in)
---------------------------------	----------------------------

- » If the free travel does not meet specifications:
  - Adjust the basic position of the footbrake lever. ↩ (p. 66)
- Reconnect spring ①.

## Adjusting basic position of footbrake lever ↩

**Warning**  
**Danger of accidents** Brake system failure.

- If there is no free travel on the foot brake lever, pressure builds up on the rear brake circuit. The rear brake can fail due to overheating. Adjust free travel on foot brake lever according to specifications.



- Disconnect spring ①.
- Loosen nut ④ and with push rod ⑤, turn it back until you have maximum free travel.
- To adjust the basic position of the foot brake lever individually, loosen nut ② and turn screw ③ accordingly.

**i Info**  
 The range of adjustment is limited.

- Turn push rod ⑤ accordingly until you have free travel ④. If necessary, adjust the basic position of the footbrake lever.

Guideline

Free travel at foot brake lever	3... 5 mm (0.12... 0.2 in)
---------------------------------	----------------------------

- Hold screw ③ and tighten nut ②.

Guideline

Remaining nuts, chassis	M8	30 Nm (22.1 lbf ft)
-------------------------	----	------------------------

- Hold push rod ⑤ and tighten nut ④.

Guideline

Remaining nuts, chassis	M6	15 Nm (11.1 lbf ft)
-------------------------	----	------------------------

- Reconnect spring ①.

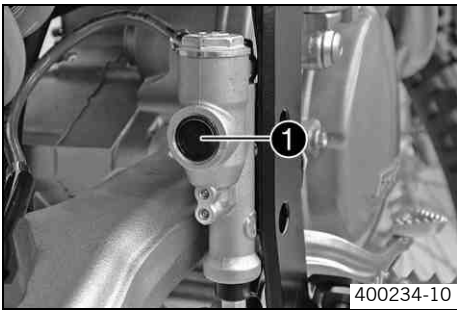
## Checking rear brake fluid level

**Warning**  
**Danger of accidents** Failure of the brake system.

- If the brake fluid level falls below the **MIN** mark, this indicates a leakage in the brake system or worn-out brake linings. Check the brake system and do not continue riding. (Your authorized KTM workshop will be glad to help.)

**Warning**  
**Danger of accidents** Reduced braking effect caused by old brake fluid.

- Change the brake fluid of the front and rear brakes according to the service schedule. (Your authorized KTM workshop will be glad to help.)



- Stand the vehicle upright.
- Check the brake fluid level in the sight glass ❶.
  - » If there is an air bubble in the sight glass ❶ visible:
    - Add brake fluid to the rear brake circuit. 🛠️ (📖 p. 67)

## Adding brake fluid to the rear brake circuit 🛠️

**Warning**  
**Danger of accidents** Failure of the brake system.

- If the brake fluid level falls below the **MIN** mark, this indicates a leakage in the brake system or worn-out brake linings. Check the brake system and do not continue riding. (Your authorized KTM workshop will be glad to help.)

**Warning**  
**Skin irritation** Brake fluid can cause skin irritation on contact.

- Avoid contact with skin and eyes, and keep out of the reach of children.
- Wear suitable protective clothing and goggles.
- If brake fluid gets into your eyes, rinse thoroughly with water and contact a doctor immediately.

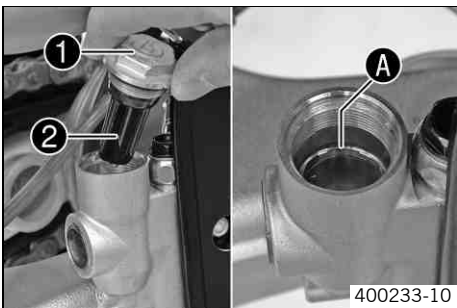
**Warning**  
**Danger of accidents** Reduced braking effect caused by old brake fluid.

- Change the brake fluid of the front and rear brakes according to the service schedule. (Your authorized KTM workshop will be glad to help.)

**Warning**  
**Environmental hazard** Hazardous substances cause environmental damage.

- Oil, grease, filters, fuel, cleaners, brake fluid, etc., should be disposed of as stipulated in applicable regulations.

**i Info**  
 Never use DOT 5 brake fluid! This is based on silicone oil and is colored purple. Oil seals and brake lines are not designed for DOT 5 brake fluid.  
 Avoid contact between brake fluid and painted parts. Brake fluid is corrosive!  
 Use only clean brake fluid from a sealed container!



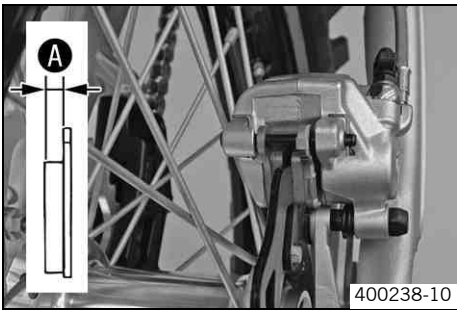
- Stand the vehicle upright.
  - Remove screw cap ❶ with membrane ❷ and the O-ring.
  - Add brake fluid up to level A.
- Brake fluid DOT 4 / DOT 5.1 (📖 p. 116)
- Mount the screw cap with the membrane and the O-ring.

**i Info**  
 Clean up overflowed or spilt brake fluid immediately with water.

## Checking rear brake linings

**Warning**  
**Danger of accidents** Reduced braking efficiency caused by worn brake linings.

- Change worn brake linings immediately. (Your authorized KTM workshop will be glad to help.)



- Check the brake linings for minimum thickness **A**.

Minimum thickness <b>A</b>	≥ 1 mm (≥ 0.04 in)
----------------------------	--------------------

- » If the minimum thickness is less than specified:
  - Change the rear brake linings. 🛠️ (📖 p. 68)
- Check the brake linings for damage and cracking.
  - » If damage or cracking is visible:
    - Change the rear brake linings. 🛠️ (📖 p. 68)

## Changing the rear brake linings 🛠️



### Warning

**Danger of accident** Brake system failure.

- Maintenance work and repairs must be carried out professionally. (Your authorized KTM workshop will be glad to help.)



### Warning

**Skin irritation** Brake fluid can cause skin irritation on contact.

- Avoid contact with skin and eyes, and keep out of the reach of children.
- Wear suitable protective clothing and goggles.
- If brake fluid gets into your eyes, rinse thoroughly with water and contact a doctor immediately.



### Warning

**Danger of accidents** Reduced braking effect caused by old brake fluid.

- Change the brake fluid of the front and rear brakes according to the service schedule. (Your authorized KTM workshop will be glad to help.)



### Warning

**Danger of accidents** Reduced braking efficiency due to oil or grease on the brake discs.

- Always keep the brake discs free of oil and grease, and clean them with brake cleaner when necessary.



### Warning

**Danger of accidents** Reduced braking efficiency due to use of non-approved brake linings.

- Brake linings available from accessory suppliers are often not tested and approved for use on KTM vehicles. The construction and friction factor of the brake linings and therefore the brake power can differ considerably from the original KTM brake linings. If brake linings are used that differ from the originals, there is no guarantee that they comply with the original license. The vehicle no longer corresponds to the condition at delivery, and the warranty is no longer valid.



### Warning

**Environmental hazard** Hazardous substances cause environmental damage.

- Oil, grease, filters, fuel, cleaners, brake fluid, etc., should be disposed of as stipulated in applicable regulations.

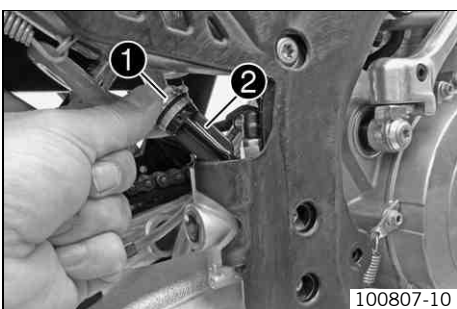


### Info

Never use DOT 5 brake fluid! This is based on silicone oil and is colored purple. Oil seals and brake lines are not designed for DOT 5 brake fluid.

Avoid contact between brake fluid and painted parts. Brake fluid attacks paint!

Use only clean brake fluid from a sealed container!

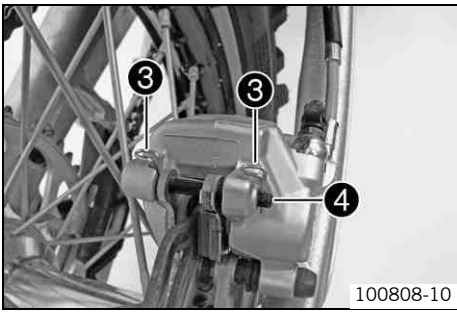


- Stand the vehicle upright.
- Remove screw cap **1** with membrane **2** and the O-ring.
- Press the brake piston back to its basic position and make sure that no brake fluid overflows from the brake fluid reservoir.

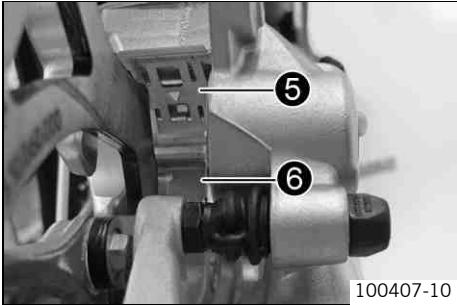


### Info

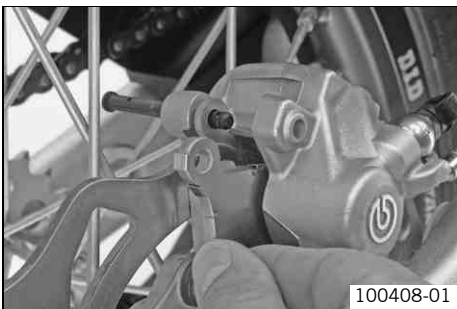
Make sure when pushing back the brake piston that you do not press the brake caliper against the spokes.



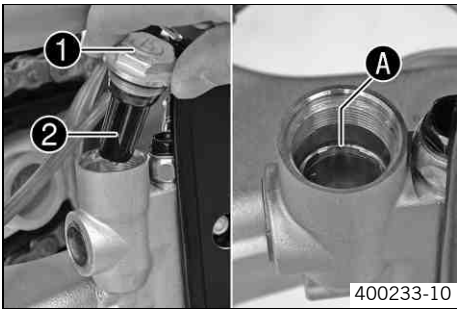
- Remove locking split pins ③, withdraw bolt ④, and take out the brake linings.
- Clean the brake caliper and brake caliper support.



- Check that leaf spring ⑤ in the brake caliper and sliding plate ⑥ in the brake caliper support are seated correctly.



- Fit the brake linings, insert the bolt, and mount the locking split pins.
- Operate the foot brake lever repeatedly until the brake linings lie on the brake disc and there is a pressure point.



- Correct the brake fluid quantity to marking A.

Brake fluid DOT 4 / DOT 5.1 (☞ p. 116)

- Mount screw cap ① with membrane ② and the O-ring.

**i Info**

Clean up overflowed or spilt brake fluid immediately with water.

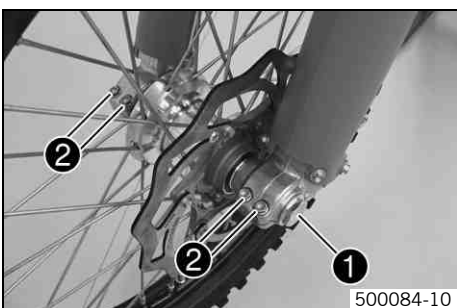
## Removing front wheel ↩



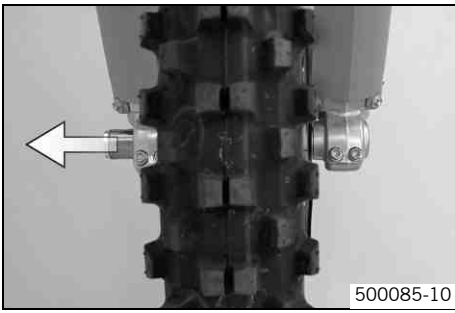
- Jack up the motorcycle. (☞ p. 40)
- Press the brake caliper by hand on to the brake disc in order to press back the brake pistons.

**i Info**

Make sure when pushing back the brake pistons that you do not press the brake caliper against the spokes.



- Remove screw ①.
- Loosen screw ②.

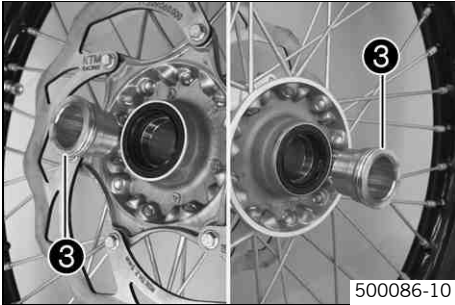


500085-10

- Holding the front wheel, withdraw the wheel spindle. Take the front wheel out of the fork.

**i Info**

Do not operate the hand brake lever when the front wheel is removed. Always lay the wheel down in such a way that the brake disc is not damaged.



500086-10

- Remove spacers ③.

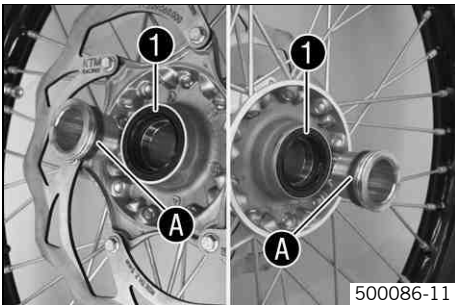
## Installing the front wheel ↩



**Warning**

**Danger of accidents** Reduced braking efficiency due to oil or grease on the brake discs.

- Always keep the brake discs free of oil and grease, and clean them with brake cleaner when necessary.

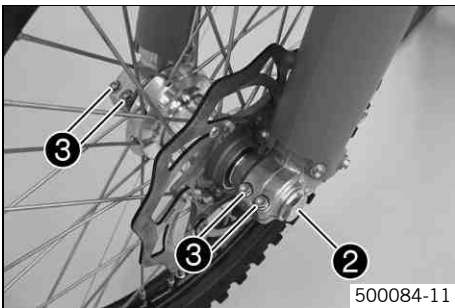


500086-11

- Clean and grease shaft seal rings ① and bearing surface A of the spacers.

Long-life grease (☛ p. 117)

- Insert the spacers.



500084-11

- Lift the front wheel into the fork, position it, and insert the wheel spindle.
- Mount and tighten screw ②.

Guideline

Screw, front wheel spindle	M24x1.5	45 Nm (33.2 lbf ft)
----------------------------	---------	------------------------

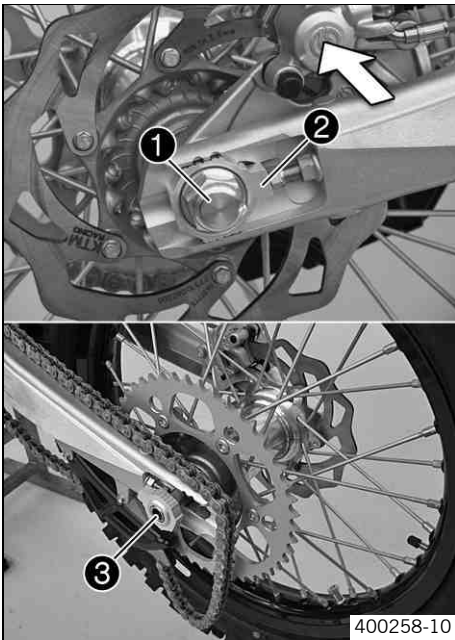
- Operate the hand brake lever several times until the brake pads are lying correctly on the brake disc.
- Remove the motorcycle from the work stand. (☛ p. 40)
- Pull the front wheel brake and push down hard on the fork several times to align the fork legs.
- Fully tighten screws ③.

Guideline

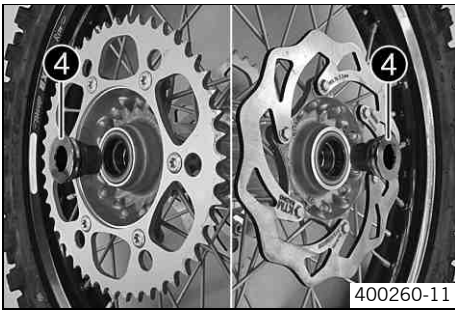
Screw, fork stub	M8	15 Nm (11.1 lbf ft)
------------------	----	------------------------



## Removing the rear wheel ↩



400258-10



400260-11

- Jack up the motorcycle. (↩ p. 40)
- Press the brake caliper by hand on to the brake disc in order to press back the brake piston.

**i Info**

Make sure when pushing back the brake piston that you do not press the brake caliper against the spokes.

- Remove nut ①.
- Remove chain adjuster ②. Withdraw wheel spindle ③ only enough to allow the rear wheel to be pushed forward.
- Push the rear wheel forward as far as possible. Remove the chain from the rear sprocket.
- Holding the rear wheel, withdraw the wheel spindle. Take the rear wheel out of the swingarm.

**i Info**

Do not operate the foot brake when the rear wheel is removed. Always lay the wheel down in such a way that the brake disc is not damaged.

- Remove spacers ④.

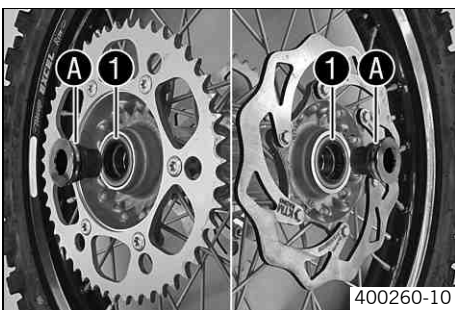
## Installing the rear wheel ↩



**Warning**

**Danger of accidents** Reduced braking efficiency due to oil or grease on the brake discs.

- Always keep the brake discs free of oil and grease, and clean them with brake cleaner when necessary.

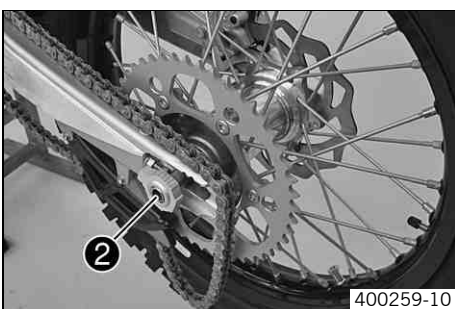


400260-10

- Clean and grease shaft seal rings ① and bearing surface A of the spacers.

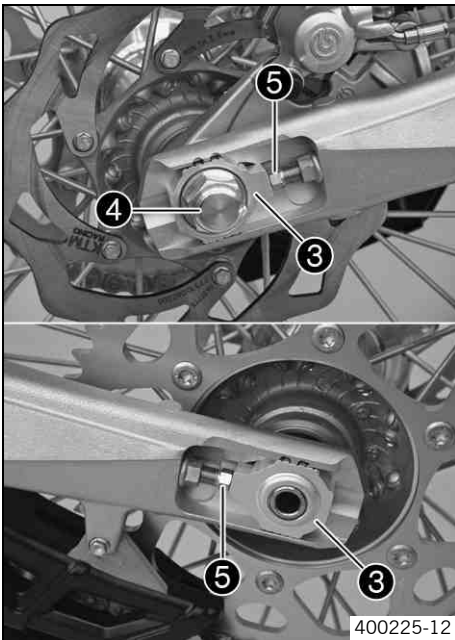
Long-life grease (↩ p. 117)

- Insert the spacers.



400259-10

- Lift the rear wheel into the swing arm, position it, and insert the wheel spindle ②.
- Put the chain on.



- Position the chain adjuster ③. Mount nut ④, but do not tighten it yet.
- Check chain tension when fitting rear wheel. (☛ p. 57)
- Make sure that the chain adjusters ③ are fitted correctly on the adjusting screws ⑤.
- Tighten nut ④.

Guideline

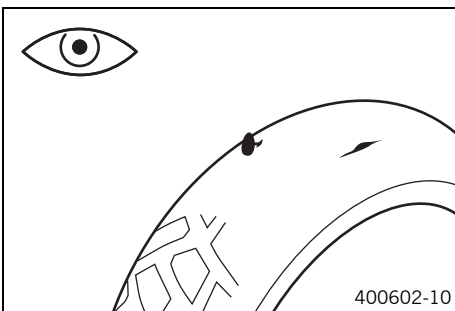
Nut, rear wheel spindle	M20x1.5	80 Nm (59 lbf ft)
-------------------------	---------	-------------------

**i Info**  
 The wide adjustment range of the chain adjusters (32 mm) enables different secondary transmissions with the same chain length.  
 The chain adjusters ③ can be turned by 180°.

- Operate the foot brake lever repeatedly until the brake linings lie on the brake disc and there is a pressure point.
- Remove the motorcycle from the work stand. (☛ p. 40)

## Tire condition checking

**i Info**  
 Only mount tires approved or recommended by KTM.  
 Other tires could have a negative effect on riding behavior.  
 The type, condition and air pressure of the tires all have an important impact on the riding behavior of the motorcycle.  
 The front and rear wheels must be mounted with tires with similar profiles.  
 Worn tires have a negative effect on riding behavior, especially on wet surfaces.



- Examine the front and rear tires for cuts, foreign bodies and other damage.
  - » If you find cuts, foreign bodies or other damage on a tire:
    - Change the tires.
- Check the depth of the tread.

**i Info**  
 Note local national regulations concerning the minimum tread depth.

Minimum tread depth	≥ 2 mm (≥ 0.08 in)
---------------------	--------------------

- » If the tread depth is less than the minimum allowable depth:
  - Change the tires.
- Check the age of the tires.

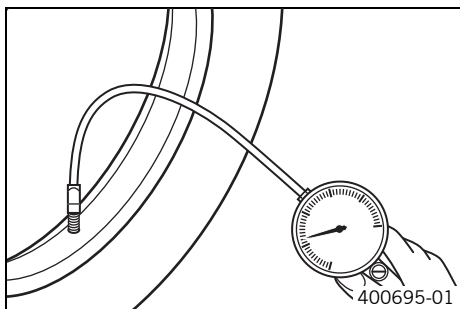
**i Info**  
 The tire's date of manufacture is usually part of the tire markings and is indicated by the last four digits of the **DOT** marking. The first two digits refer to the week of manufacture and last two digits refer to the year of manufacture.  
 KTM recommends that the tires be changed after five years at the latest, regardless of the actual state of wear.

- » If a tire is more than 5 years old:
  - Change the tires.

## Checking tire air pressure

**i Info**

Low tire air pressure leads to abnormal wear and overheating of the tire.  
Correct tire air pressure ensures optimal riding comfort and maximum tire service life.



- Remove the dust cap.
- Check tire air pressure when tires are cold.

Tire air pressure off road	
Front	1.0 bar (15 psi)
Rear	1.0 bar (15 psi)

Road tire pressure (EXC-F, EXC-F SIX DAYS)	
Front	1.5 bar (22 psi)
Rear	2.0 bar (29 psi)

- » If the tire pressure does not meet specifications:
  - Correct the tire air pressure.
- Fit the dust cap.

## Checking spoke tension

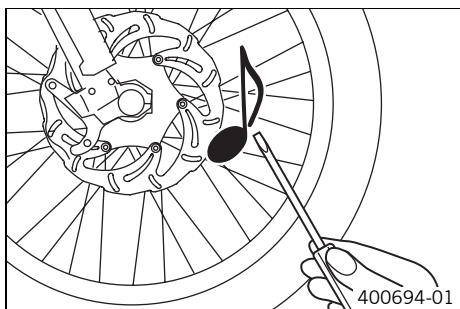
**! Warning**

**Danger of accidents** Instable handling due to incorrect spoke tension.

- Ensure that the spoke tension is correct. (Your authorized KTM workshop will be glad to help.)

**i Info**

A loose spoke can cause wheel imbalance, which leads to more loose spokes in a short time.  
If the spokes are too tight, they can break due to local overload.  
Check the spoke tension regularly, especially on a new motorcycle.



- Tap each spoke with a screwdriver.

**i Info**

The sound frequency depends on the length and thickness of the spoke.  
If there are different sound frequencies in spokes with the same length and thickness, this indicates different spoke tensions.

You should hear a high note.

- » If the spoke tension varies:
  - Correct the spoke tension. 🔧
- Check the spoke torque.

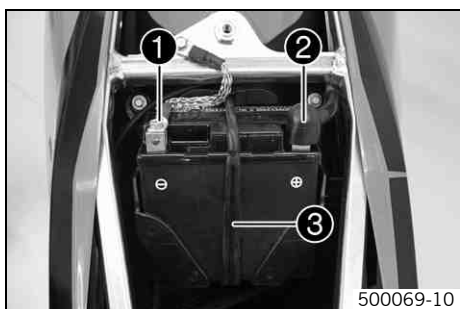
Guideline

Spoke nipple, front wheel	M4.5	5... 6 Nm (3.7... 4.4 lbf ft)
Spoke nipple, rear wheel	M5	5... 6 Nm (3.7... 4.4 lbf ft)

Torque wrench with various accessories in set (58429094000)

## Removing the battery ↘ (EXC-F, EXC-F SIX DAYS, XCF-W)

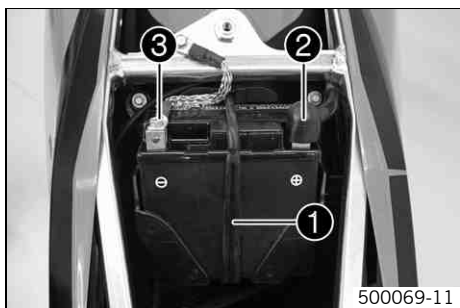
- Warning**  
**Risk of injury** Battery acid and battery gases cause serious cauterization.
- Keep batteries out of the reach of children.
  - Wear suitable protective clothing and goggles.
  - Avoid contact with battery acid and battery gases.
  - Keep the battery away from sparks or open fire. Charge only in well ventilated rooms.
  - In the event of skin contact, rinse with large amounts of water. If battery acid gets in the eyes, rinse with water for at least 15 minutes and contact a doctor.



500069-10

- Switch off all power consumers and switch off the engine.
- Remove the seat. (↖ p. 76)
- Disconnect the negative (minus) cable ① of the battery.
- Pull back the plus pole cover ② and disconnect the positive (plus) cable of the battery.
- Hang the rubber band ③ out to the bottom.
- Lift the battery up.

## Installing the battery ↘ (EXC-F, EXC-F SIX DAYS, XCF-W)



500069-11

- Place the battery in the battery holder.
- 4Ah battery (YTX5L-BS) (↖ p. 100)
- Reconnect the rubber band ①.
  - Attach the plus cable and replace the plus pole cover ②.
  - Attach the minus cable ③.
  - Mount the seat. (↖ p. 77)

## Recharging the battery ↘ (EXC-F, EXC-F SIX DAYS, XCF-W)

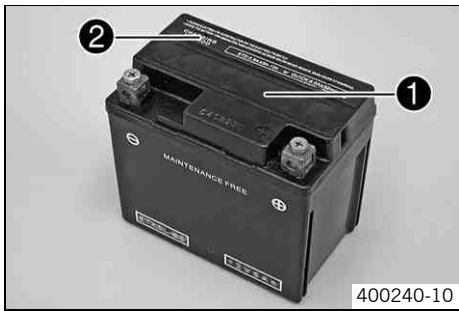
- Warning**  
**Risk of injury** Battery acid and battery gases cause serious cauterization.
- Keep batteries out of the reach of children.
  - Wear suitable protective clothing and goggles.
  - Avoid contact with battery acid and battery gases.
  - Keep the battery away from sparks or open fire. Charge only in well ventilated rooms.
  - In the event of skin contact, rinse with large amounts of water. If battery acid gets in the eyes, rinse with water for at least 15 minutes and contact a doctor.

- Warning**  
**Environmental hazard** Battery parts and acid are harmful to the environment.
- Do not discard batteries with the household trash. Dispose of a defective battery in an environmentally compatible manner. Give the battery to your KTM dealer or to a recycling center that accepts used batteries.

- Warning**  
**Environmental hazard** Hazardous substances cause environmental damage.
- Oil, grease, filters, fuel, cleaners, brake fluid, etc., should be disposed of as stipulated in applicable regulations.

**i Info**

Even when there is no load on the battery, it still loses power steadily. The charge state and the type of charge are very important for the service life of the battery. Rapid recharging with a high charging current shortens the battery's service life. If the charging current, charging voltage and charging time are exceeded, electrolyte escapes through the safety valves. This reduces the battery capacity. If the battery is depleted from starting the vehicle repeatedly, the battery must be charged immediately. If the battery is left in a discharged state for an extended period, it will become over-discharged and sulfate, destroying the battery. The battery is maintenance-free, i.e., the acid level does not have to be checked.



400240-10

- Switch off all power consumers and switch off the engine.
- Remove the seat. (☛ p. 76)
- Disconnect the minus (negative) cable of the battery to avoid damage to the motorcycle's electronics.
- Connect the battery charger to the battery. Switch on the battery charger.

Battery charger (58429074000)

You can also use the battery charger to test rest potential and start potential of the battery, and to test the generator. With this device, you cannot overcharge the battery.

**i Info**

Never remove the lid ❶. Charge the battery with at most 10% of the capacity specified on the battery ❷.

- Switch off the charger after charging. Disconnect the battery.

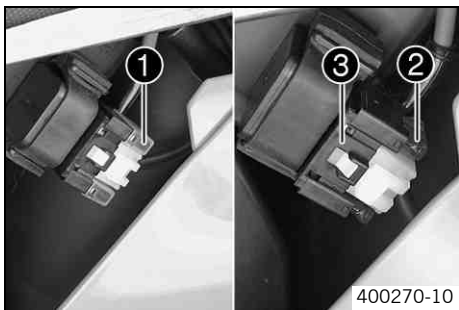
Guideline

The charge current, charge voltage and charge time must not be exceeded.

Charge the battery regularly when the motorcycle is not in use	3 months
--	----------

- Mount the seat. (☛ p. 77)

## Removing a fuse (EXC-F, EXC-F SIX DAYS, XCF-W)



400270-10

- Switch off all power consumers and switch off the engine.
- Remove the air filter box lid. (☛ p. 81)
- Remove the protection cover ❶.

**i Info**

The fuse ❷ is located in the starter relay ❸ under the filter box cover.

- Remove the fuse ❷.

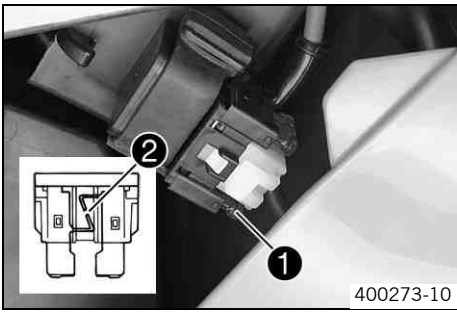
## Replacing the fuse (EXC-F, EXC-F SIX DAYS, XCF-W)



**Warning**

**Fire hazard** The electrical system can be overloaded by the use of incorrect fuses.

- Use only fuses with the prescribed amperage. Never by-pass or repair fuses.



400273-10

- Refit the fuse.

Fuse (58011109110)

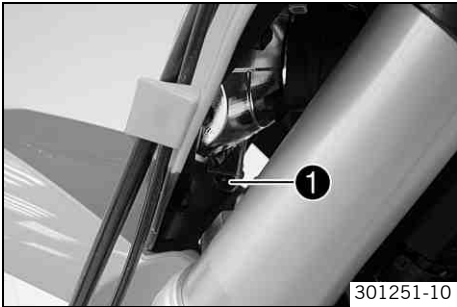


**Info**

A reserve fuse ❶ is located in the starter relay.  
 Replace a burned-out fuse ❷ only by an equivalent fuse.  
 If the new fuse burns out, contact an authorized KTM workshop.

- Replace the protection cover.
- Install the air filter box lid. (☛ p. 81)

## Adjusting the beam width of the headlight (EXC-F, EXC-F SIX DAYS, XCF-W)



301251-10

- Check the headlight adjustment. (☛ p. 76)
- Loosen screw ❶.
- Adjust the light range by swiveling the headlight.

**Guideline**

The boundary between light and dark must be exactly on the lower mark for a motorcycle with a rider (mark is applied under: Checking the headlight adjustment).

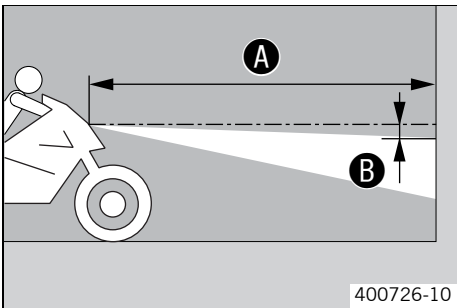


**Info**

If you have a payload, you may have to correct the headlight beam width.

- Tighten screw ❶.

## Checking the headlight adjustment (EXC-F, EXC-F SIX DAYS, XCF-W)



400726-10

- On a light-colored wall behind a horizontal area, make a mark as high as the center of the headlight.
- Make a second mark at distance of B under the first mark.

**Guideline**

Distance B	5 cm (2 in)
------------	-------------

- Stand the motorcycle upright in front of the wall at distance A. The driver, in full protective clothing, should now sit on the motorcycle in a normal sitting position (feet on the footrests).

**Guideline**

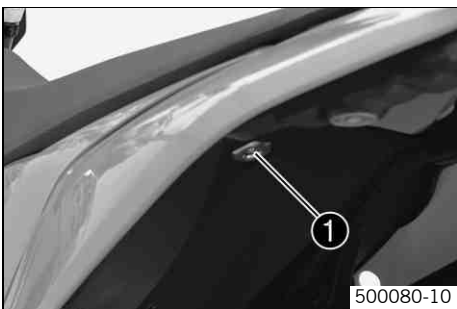
Distance A	5 m (16 ft)
------------	-------------

- Switch on low beam. Check the headlight adjustment.

The border between light and dark must be exactly at the lower mark when the motorcycle is operational and complete with rider.

- » If the boundary between light and dark does not meet specifications:
  - Adjust the beam width of the headlight. (☛ p. 76)

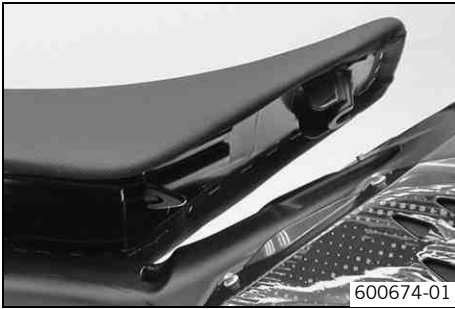
## Removing the seat



500080-10

- Remove screw ❶. Lift up the seat at the rear, pull it back and then remove from above.

## Mounting the seat



- Hook in the front of the seat at the collar sleeve of the fuel tank, lower it at the rear and simultaneously push it forward.
- Make sure that the seat is correctly locked in.
- Mount and tighten the screw of the seat fixing.

### Guideline

Remaining screws, chassis	M6	10 Nm (7.4 lbf ft)
---------------------------	----	--------------------

## Dismounting the fuel tank



### Danger

**Fire hazard** Fuel is highly flammable.

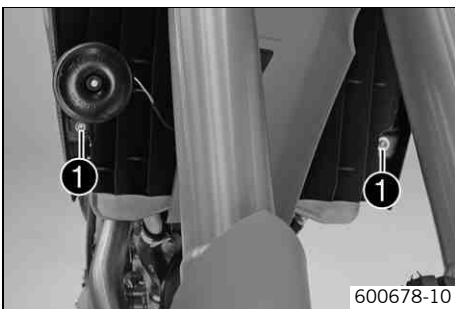
- Never refuel the vehicle near open flames or burning cigarettes, and always switch off the engine first. Be careful that no fuel is spilt, especially on hot vehicle components. Clean up spilt fuel immediately.
- Fuel in the fuel tank expands when warm and can escape if the tank is overfilled. See the notes on refueling.



### Warning

**Danger of poisoning** Fuel is poisonous and a health hazard.

- Avoid contact between fuel and skin, eyes and clothing. Do not inhale fuel vapors. If fuel gets into your eyes, rinse immediately with water and contact a doctor. Wash affected skin areas immediately with soap and water. If fuel is swallowed, contact a doctor immediately. Change clothing that has come into contact with fuel. Store fuel in a suitable canister according to regulations and keep it out of the reach of children.



- Remove the seat. (☛ p. 76)

### (EXC-F, EXC-F SIX DAYS, XCF-W)

- Turn handle ❶ of the fuel tap to the **OFF** position. (Figure 500137-10☛ p. 22)

### (SX-F)

- Turn handle ❶ of the fuel tap to the **OFF** position. (Figure 500178-10☛ p. 22)

- Pull off the fuel hose.



### Info

Remaining fuel may flow out of the fuel hose.

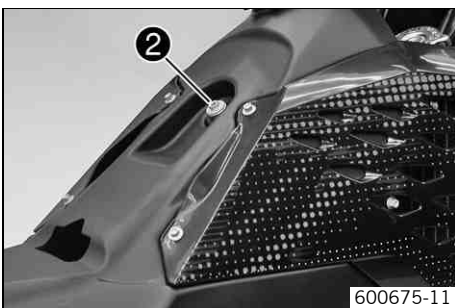
- Remove screws ❶ with the collar sleeve.

### (EXC-F, EXC-F SIX DAYS)

- Hang the horn and horn bracket to one side.

- Remove screw ❷ with the collar sleeve.

- Remove the tube from the fuel tank vent line.



- Pull both spoilers to the side of the radiator bracket ❸ and take the fuel tank away upward.

## Installing the fuel tank ↻



### Danger

**Fire hazard** Fuel is highly flammable.

- Never refuel the vehicle near open flames or burning cigarettes, and always switch off the engine first. Be careful that no fuel is spilt, especially on hot vehicle components. Clean up spilt fuel immediately.
- Fuel in the fuel tank expands when warm and can escape if the tank is overfilled. See the notes on refueling.



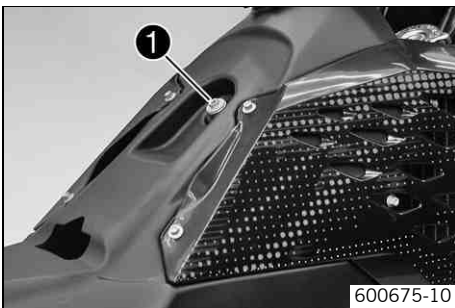
### Warning

**Danger of poisoning** Fuel is poisonous and a health hazard.

- Avoid contact of the fuel with skin, eyes and clothing. Do not inhale fuel vapors. If fuel gets into your eyes, rinse immediately with water and contact a doctor. Wash affected skin areas immediately with soap and water. If fuel is swallowed, contact a doctor immediately. Change clothing that has come into contact with fuel.



- Position the fuel tank and fit the two spoilers to the sides of the radiator bracket.
- Make sure that no cables are trapped or damaged.



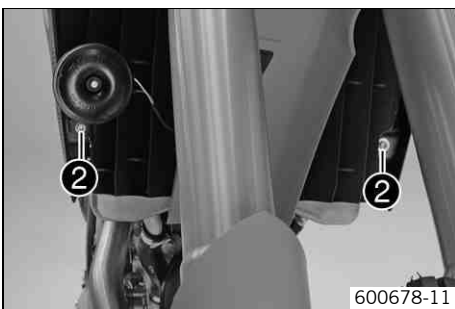
- Mount the fuel tank vent hose.
- Mount and tighten screw ❶ with the collar sleeve.

Guideline

Remaining screws, chassis	M6	10 Nm (7.4 lbf ft)
---------------------------	----	--------------------

### (EXC-F, EXC-F SIX DAYS)

- Position the horn with the horn bracket.



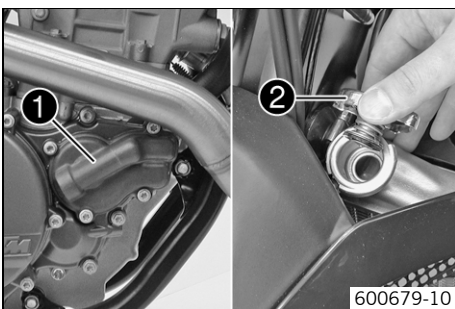
- Mount and tighten screws ❷ with the collar sleeve.

Guideline

Remaining screws, chassis	M6	10 Nm (7.4 lbf ft)
---------------------------	----	--------------------

- Connect the fuel hose.
- Mount the seat. (↪ p. 77)

## Cooling system



The water pump ❶ in the engine forces the coolant to flow. The pressure resulting from the warming of the cooling system is regulated by a valve in the radiator cap ❷. This ensures that operating the vehicle at the specified coolant temperature will not result in a risk of malfunctions.

120 °C (248 °F)
-----------------

Cooling is effected by the air stream. The lower the speed, the less the cooling effect. Dirty cooling fins also reduce the cooling effect.

### (XCF-W, 250 EXC-F SIX DAYS EU)

The radiator fan provides extra cooling. It is controlled by a thermostwitch.



## Checking the anti-freeze and coolant level



### Warning

**Danger of scalding** During motorcycle operation, the coolant gets very hot and is under pressure.

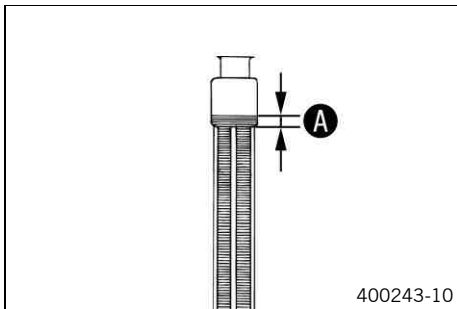
- Do not remove the radiator cap, radiator hoses or other cooling system components when the engine is hot. Allow the engine and cooling system to cool down. In case of scalding, rinse immediately with lukewarm water.



### Warning

**Danger of poisoning** Coolant is poisonous and a health hazard.

- Avoid contact between coolant and skin, eyes and clothing. If it gets into your eyes, rinse immediately with water and contact a doctor. Wash affected skin areas immediately with soap and water. If coolant is swallowed, contact a doctor immediately. Change clothes that have come into contact with coolants. Keep coolant out of the reach of children.



### Condition

Engine is cold.

- Stand the motorcycle upright on a horizontal surface.
- Remove radiator cap.
- Check the anti-freeze of the coolant.

-25... -45 °C (-13... -49 °F)
-------------------------------

» If the anti-freeze of the coolant does not meet specifications:

- Correct the anti-freeze of the coolant.

- Check the coolant level in the radiator.

Coolant level <b>A</b> above radiator fins.	10 mm (0.39 in)
---	-----------------

» If the level of the coolant does not meet specifications:

- Correct the coolant level.

### Alternative 1

Coolant (☛ p. 116)
--------------------

### Alternative 2

Coolant (mixed ready to use) (☛ p. 116)
---

- Refit the radiator cap.

## Checking the coolant level



### Warning

**Danger of scalding** During motorcycle operation, the coolant gets very hot and is under pressure.

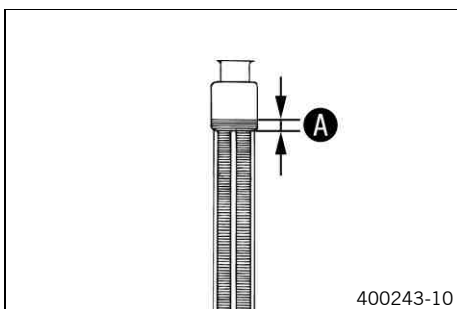
- Do not remove the radiator cap, radiator hoses or other cooling system components when the engine is hot. Allow the engine and cooling system to cool down. In case of scalding, rinse immediately with lukewarm water.



### Warning

**Danger of poisoning** Coolant is poisonous and a health hazard.

- Avoid contact between coolant and skin, eyes and clothing. If it gets into your eyes, rinse immediately with water and contact a doctor. Wash affected skin areas immediately with soap and water. If coolant is swallowed, contact a doctor immediately. Change clothes that have come into contact with coolants. Keep coolant out of the reach of children.



### Condition

The engine is cold.

- Stand the motorcycle upright on a horizontal surface.
- Remove radiator cap.
- Check the coolant level in the radiator.

Coolant level <b>A</b> above the radiator fins.	10 mm (0.39 in)
---	-----------------

» If the coolant level does not meet specifications:

- Correct the coolant level.

### Alternative 1

Coolant (☛ p. 116)
--------------------

### Alternative 2

Coolant (mixed ready to use) (☛ p. 116)
---

- Mount the radiator cap.

## Draining the coolant ☛



### Warning

**Danger of scalding** During motorcycle operation, the coolant gets very hot and is under pressure.

- Do not remove the radiator cap, radiator hoses or other cooling system components when the engine is hot. Allow the engine and cooling system to cool down. In case of scalding, rinse immediately with lukewarm water.



### Warning

**Danger of poisoning** Coolant is poisonous and a health hazard.

- Avoid contact between coolant and skin, eyes and clothing. If it gets into your eyes, rinse immediately with water and contact a doctor. Wash affected skin areas immediately with soap and water. If coolant is swallowed, contact a doctor immediately. Change clothes that have come into contact with coolants. Keep coolant out of the reach of children.

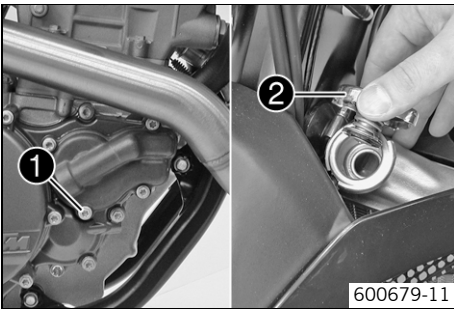
### Condition

The engine is cold.

- Stand the vehicle upright.
- Place a suitable container under the water pump cover.
- Remove screw ❶. Remove radiator cap ❷.
- Completely drain the coolant.
- Mount screw ❶ with a new seal and tighten it.

### Guideline

Screw, water pump cover	M6	10 Nm (7.4 lbf ft)
-------------------------	----	--------------------



## Refilling coolant ☛



### Warning

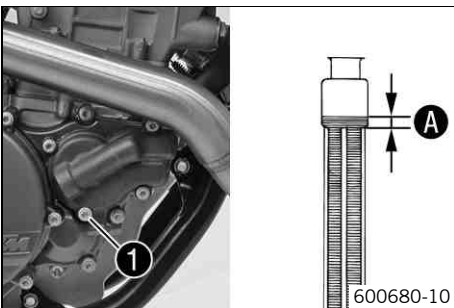
**Danger of poisoning** Coolant is poisonous and a health hazard.

- Avoid contact between coolant and skin, eyes and clothing. If it gets into your eyes, rinse immediately with water and contact a doctor. Wash affected skin areas immediately with soap and water. If coolant is swallowed, contact a doctor immediately. Change clothes that have come into contact with coolants. Keep coolant out of the reach of children.

- Make sure that the screw ❶ is tightened.
- Stand the vehicle upright.
- Pour coolant in up to measurement A above the radiator fins.

### Guideline

10 mm (0.39 in)		
Coolant	1.2 l (1.3 qt.)	Coolant (☛ p. 116)
		Coolant (mixed ready to use) (☛ p. 116)



- Refit the radiator cap.
- Make a short test ride.
- Check the coolant level. (☛ p. 79)

## Glass fiber yarn filling of main silencer

The main silencer is filled with glass fiber yarn.

Over a period, the fibers of the insulating material vanish into the air, and the silencer "burns out".

Not only is the noise level higher, the performance characteristic changes.

## Removing main silencer



### Warning

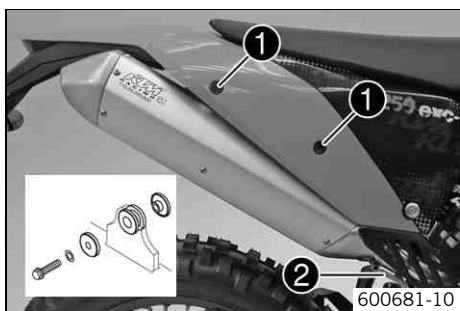
**Danger of burns** The exhaust system gets very hot when the vehicle is driven.

- Allow the exhaust system to cool down. Do not touch hot components.



- Disconnect spring ❶.
- Remove screws ❷ and take off main silencer.

## Installing the main silencer



- Mount the main silencer. Mount and tighten screws ❶.

Guideline

Remaining screws, chassis	M6	10 Nm (7.4 lbf ft)
---------------------------	----	--------------------

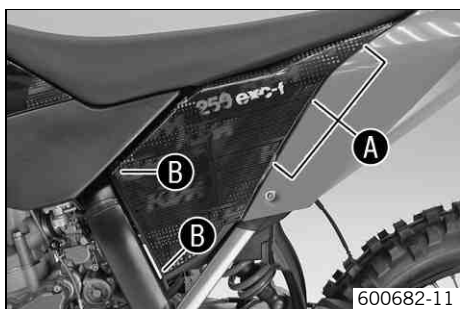
- Reconnect spring ❷.

## Removing the air filter box lid



- Pull off the air filter box lid in area ❶ to the side and remove to the front.

## Installing the air filter box lid



- Insert the air filter box lid into the rear area ❶ and clip it into the front area ❷.

## Removing the air filter ↩

**Note**

**Engine failure** Unfiltered intake air has a negative effect on the service life of the engine.

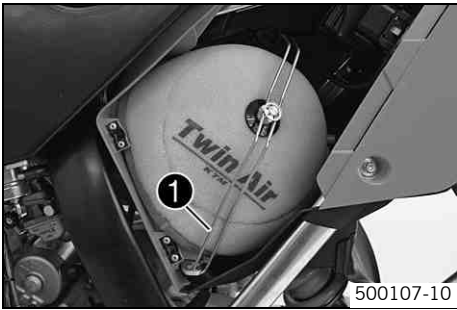
- Never ride the vehicle without an air filter since dust and dirt can get into the engine and result in increased wear.



**Warning**

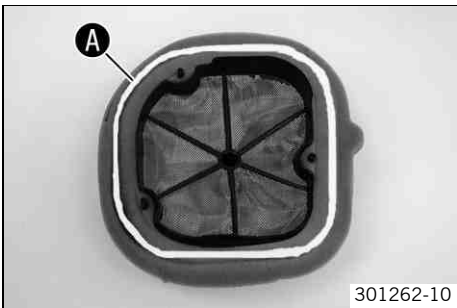
**Environmental hazard** Hazardous substances cause environmental damage.

- Oil, grease, filters, fuel, cleaners, brake fluid, etc., should be disposed of as stipulated in applicable regulations.



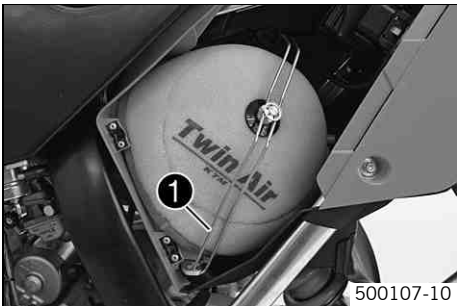
- Remove the air filter box lid. (☞ p. 81)
- Detach air filter holder ❶ at the bottom and swing it to one side. Remove the air filter with the air filter support.
- Remove the air filter from the air filter support.

## Installing the air filter ↩



- Mount the clean air filter onto the air filter support.
- Apply grease to the section ❶ of the air filter.

Long-life grease (☞ p. 117)



- Put in both parts together, position them and fix them with air filter holder ❶.



**Info**

If the air filter is not correctly mounted, dust and dirt can penetrate into the engine and can cause damage.

- Install the air filter box lid. (☞ p. 81)

## Cleaning air filter ↩



**Warning**

**Environmental hazard** Hazardous substances cause environmental damage.

- Oil, grease, filters, fuel, cleaners, brake fluid, etc., should be disposed of as stipulated in applicable regulations.



**Info**

Do not clean the air filter with fuel or gasoline since these substances attack the foam.

- Remove the air filter. ↩ (☞ p. 82)
- Wash the air filter thoroughly in special cleaning liquid and allow it to dry properly.

Air filter cleaner (☞ p. 117)



**Info**

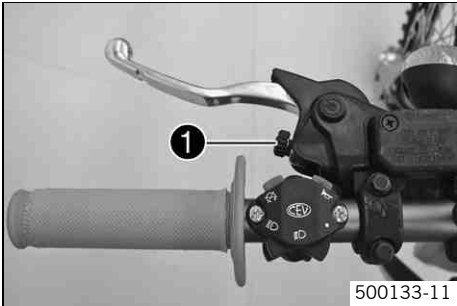
Only squeeze the air filter when drying it out, never wring it out.

- Oil the dry air filter with a high/quality filter oil.

Oil for foam air filter (☛ p. 117)

- Clean the air filter box.
- Check carburetor connection boot for damage and tightness.
- Install the air filter. ☛ (☛ p. 82)

## Adjusting basic position of clutch lever



- Adjust the basic setting of the clutch lever to your hand size by turning adjusting screw ①.

### **i** Info

Turn the adjusting screw clockwise to increase the distance between the clutch lever and the handlebar.  
Turn the adjusting screw counterclockwise to decrease the distance between the clutch lever and the handlebar.  
The range of adjustment is limited.  
Turn the adjusting screw by hand only, and do not apply any force.  
Do not make any adjustments while riding!

## Checking the fluid level of hydraulic clutch



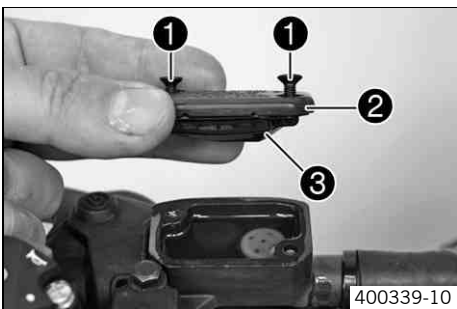
### Warning

**Skin irritation** Brake fluid can cause skin irritation on contact.

- Avoid contact with skin and eyes, and keep out of the reach of children.
- Wear suitable protective clothing and goggles.
- If brake fluid gets into your eyes, rinse thoroughly with water and contact a doctor immediately.

### **i** Info

The fluid level rises with increasing wear of the clutch lining disc.  
Avoid contact between brake fluid and painted parts. Brake fluid is corrosive!  
Use only clean brake fluid from a sealed container!



- Move the clutch fluid reservoir mounted on the handlebar to a horizontal position.
- Remove screws ①.
- Remove cover ② with membrane ③.
- Check the fluid level.

Fluid level under top level of container	4 mm (0.16 in)
--	----------------

- » If the level of the fluid does not meet specifications:
  - Correct the fluid level of the hydraulic clutch.

Brake fluid DOT 4 / DOT 5.1 (☛ p. 116)

- Position the cover with the membrane. Mount and tighten the screws.

### **i** Info

Clean up overflowed or spilt fluid immediately with water.

## Changing the hydraulic clutch fluid ☛



### Warning

**Skin irritation** Brake fluid can cause skin irritation on contact.

- Avoid contact with skin and eyes, and keep out of the reach of children.
- Wear suitable protective clothing and goggles.
- If brake fluid gets into your eyes, rinse thoroughly with water and contact a doctor immediately.



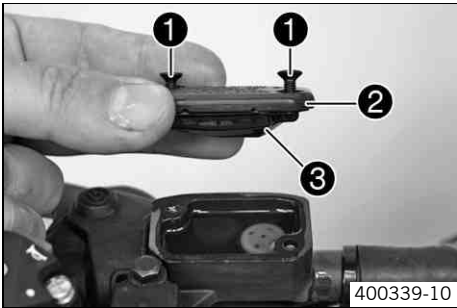
### Warning

**Environmental hazard** Hazardous substances cause environmental damage.

- Oil, grease, filters, fuel, cleaners, brake fluid, etc., should be disposed of as stipulated in applicable regulations.

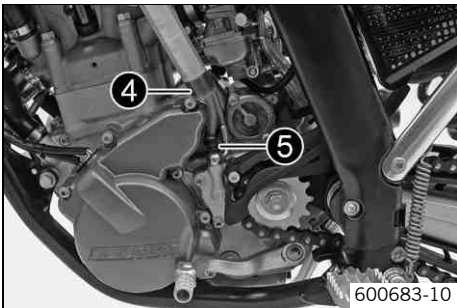
**i Info**

The fluid level rises with increasing wear of the clutch lining disc.  
 Avoid contact between brake fluid and painted parts. Brake fluid is corrosive!  
 Use only clean brake fluid from a sealed container!



400339-10

- Move the clutch fluid reservoir mounted on the handlebar to a horizontal position.
- Remove screws ①.
- Remove cover ② with membrane ③.



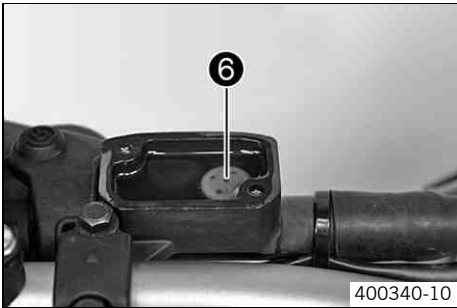
600683-10

- Fill bleeding syringe ④ with the appropriate hydraulic fluid.

Bleed syringe (50329050000)
-----------------------------

Brake fluid DOT 4 / DOT 5.1 (☛ p. 116)
--

- On the slave cylinder, remove bleeder screw ⑤ and mount bleeding syringe ④.



400340-10

- Inject the liquid into the system until it escapes from bore hole ⑥ of the master cylinder without bubbles.
- To prevent overflow, drain fluid occasionally from the master cylinder reservoir.
- Remove the bleeding syringe. Mount and tighten bleeder screw.
- Correct the fluid level of the hydraulic clutch.

**Guideline**

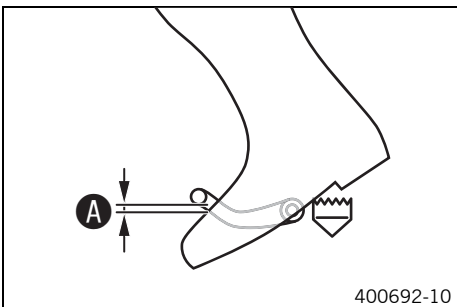
Fluid level under top level of container	4 mm (0.16 in)
--	----------------

- Position the cover with the membrane. Mount and tighten the screws.

**i Info**

Clean up overflowed or spilt fluid immediately with water.

## Checking the basic position of the shift lever



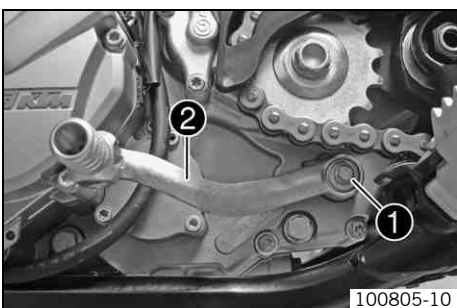
400692-10

- Sit on the vehicle (facing the direction of travel) and measure the gap between the top of the boot and shift lever ①.

Gap between the shift lever and the top of the boot	10... 20 mm (0.39... 0.79 in)
---	-------------------------------

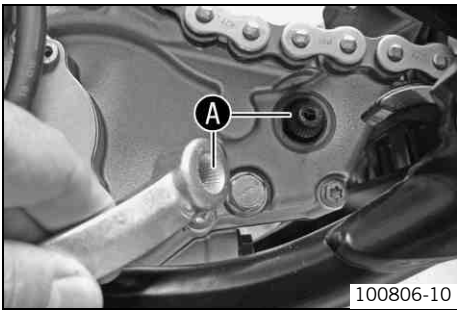
- » If the distance does not meet the specifications:
  - Adjust the basic position of the shift lever. ☛ (☛ p. 84)

## Adjusting the basic position of the shift lever ☛



100805-10

- Remove screw ① and remove shift lever ②.



100806-10

- Clean gear teeth **A** of the shift lever and shift shaft.
- Mount the shift lever on the shift shaft in the required position and engage the gearing.
- Mount and tighten the screw.

Guideline

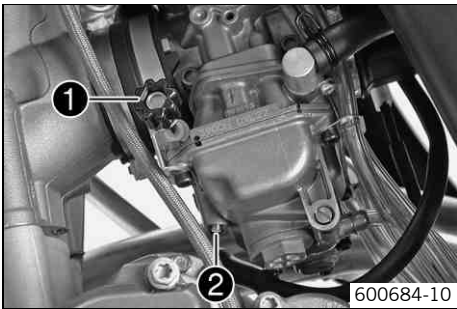
Screw, shift lever	M6	10 Nm (7.4 lbf ft)	<b>Loctite® 243™</b>
--------------------	----	-----------------------	----------------------



**Info**

The range of adjustment is limited. The shift lever must not come into contact with any other vehicle components during the shift procedure.

## Carburetor - idle



600684-10

The idle setting of the carburetor has a big influence on the starting behavior, stable idling and the response to throttle opening. That means that an engine with a correctly set idle speed is easier to start than if the idle is set wrongly.

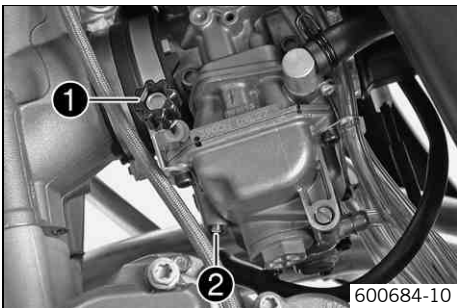


**Info**

The carburetor and its components are subject to increased wear caused by engine vibration. Wear can result in malfunctioning.

The idle speed is adjusted with the adjustment screw **1**.  
The idle mixture is adjusted with the idle mixture adjustment screw **2**.

## Carburetor - adjusting idle ↩



600684-10

- Screw in the idle adjusting screw **2** until it stops and then to the prescribed basic setting.

Guideline

Idle mixture adjusting screw (EXC-F, EXC-F SIX DAYS, SX-F)	
Open	1.25 turns
Idle mixture adjusting screw (XCF-W)	
Open	1.0 turn

Adjustment tool for mixture control screw (77329034000)
---

- Run the engine until warm.

Guideline

Warm-up time	≥ 5 min
--------------	---------



**Danger**

**Danger of poisoning** Exhaust gases are poisonous and inhaling them may result in unconsciousness and/or death.

- When running the engine, always make sure there is sufficient ventilation, and do not start or run the engine in an enclosed space without an effective exhaust extraction system.

- Adjust the idle speed with adjusting screw **1**.

Guideline

Choke function deactivated – The choke lever is pushed in to the stop. (XCF-W, SX-F, EXC-F AUS) (☛ p. 23)	
Choke function deactivated – The choke lever is pushed back to the stop. (EXC-F EU, EXC-F SIX DAYS) (☛ p. 23)	
Idle speed	1,400... 1,500 rpm

- Turn the idle adjusting screw **2** slowly until the idle speed begins to fall.
- Note the position and turn the idle adjusting screw slowly counterclockwise until the idle speed falls.

- Adjust to the point between these two positions with the highest idle speed.



**Info**

If there is a big engine speed rise, reduce the idle speed to a normal level and repeat the above steps.

The extreme sport motorcyclist will set the mixture about ¼ of a turn back from this ideal value (leaner, in a clockwise direction) since the engine becomes hotter in sporting use.

If the procedure described here does not lead to satisfactory results, the cause may be a wrongly dimensioned idling jet.

If you can turn the idle adjusting screw to the end without any change of engine speed, you have to mount a smaller idling jet.

The idle adjusting screw must not be opened more than two turns. If more than two turns are necessary (rich mixture), use a larger idling jet.

After changing the idling jet, start from the beginning with the adjusting steps.

- Adjust the idle speed with adjusting screw ❶.

Guideline

Choke function deactivated – The choke lever is pushed in to the stop. (XCF-W, SX-F, EXC-F AUS) (☛ p. 23)	
Choke function deactivated – The choke lever is pushed back to the stop. (EXC-F EU, EXC-F SIX DAYS) (☛ p. 23)	
Idle speed	1,400... 1,500 rpm



**Info**

Following extreme air temperature or altitude changes, adjust the idle speed again.

## Emptying the carburetor float chamber ☞



**Danger**

**Fire hazard** Fuel is highly flammable.

- Never refuel the vehicle near open flames or burning cigarettes, and always switch off the engine first. Be careful that no fuel is spilt, especially on hot vehicle components. Clean up spilt fuel immediately.
- Fuel in the fuel tank expands when warm and can escape if the tank is overfilled. See the notes on refueling.



**Warning**

**Danger of poisoning** Fuel is poisonous and a health hazard.

- Avoid contact between fuel and skin, eyes and clothing. Do not inhale fuel vapors. If fuel gets into your eyes, rinse immediately with water and contact a doctor. Wash affected skin areas immediately with soap and water. If fuel is swallowed, contact a doctor immediately. Change clothing that has come into contact with fuel. Store fuel in a suitable canister according to regulations and keep it out of the reach of children.



**Warning**

**Environmental hazard** Improper handling of fuel is a danger to the environment.

- Do not allow fuel to get into the ground water, the ground, or the sewage system.



**Info**

Carry out this work with a cold engine.

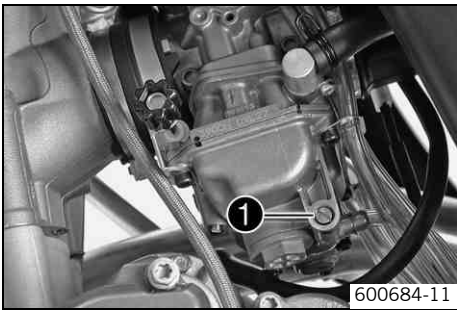
**(EXC-F, EXC-F SIX DAYS, XCF-W)**

- Turn handle ❶ of the fuel tap to the **OFF** position. (Figure 500137-10☛ p. 22)

**(SX-F)**

- Turn handle ❶ of the fuel tap to the **OFF** position. (Figure 500178-10☛ p. 22)
- ✓ No more fuel flows from the tank to the carburetor.





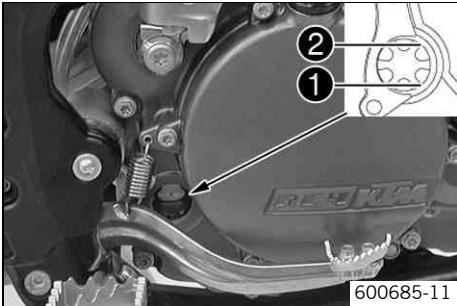
- Guide the hose coming down behind the engine into a suitable container.

**i Info**

Water in the float chamber results in malfunctioning.

- Undo screw ❶ (turn it counterclockwise) a few turns and drain the fuel from the float chamber.
- Tighten screw ❶.

## Checking the engine oil level



- Stand the motorcycle upright on a horizontal surface.

**Condition**

The engine is cold.

- Check the engine oil level.

The engine oil level is at the bottom edge of level viewer ❶.

- » If the engine oil level is below the specified level:
  - Add engine oil. (☞ p. 90)

**Condition**

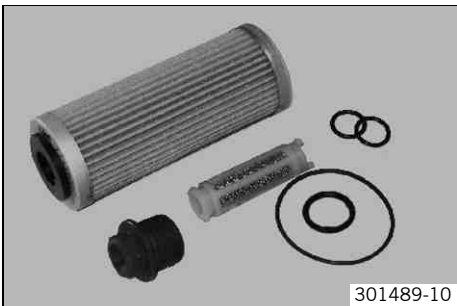
The engine is warm.

- Check the engine oil level.

The engine oil level is at the top edge of level viewer ❷.

- » If the engine oil level is below the specified level:
  - Add engine oil. (☞ p. 90)

## Changing the engine oil and oil filter, cleaning the oil screen



- Drain the engine oil. (☞ p. 87)
- Clean the oil screens. (☞ p. 88)
- Remove the oil filter. (☞ p. 89)
- Install the oil filter. (☞ p. 89)
- Fill up with engine oil. (☞ p. 90)

## Draining the engine oil

**Warning**

**Danger of scalding** Engine oil and gear oil get very hot when the motorcycle is ridden.

- Wear appropriate protective clothing and safety gloves. In case of burns, rinse immediately with lukewarm water.

**Warning**

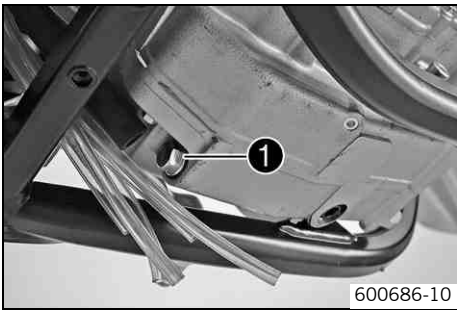
**Environmental hazard** Hazardous substances cause environmental damage.

- Oil, grease, filters, fuel, cleaners, brake fluid, etc., should be disposed of as stipulated in applicable regulations.

**i Info**

Drain the engine oil only when the engine is warm.

- Stand the motorcycle on its side stand on a horizontal surface.



- Place a suitable container under the engine.
- Remove oil drain plug ❶.
- Completely drain the engine oil.
- Thoroughly clean the oil drain plug with the magnet.
- Clean the sealing area on the engine.
- Mount and tighten oil drain plug ❶ with the seal ring.

Guideline

Oil drain plug with magnet	M12x1.5	20 Nm (14.8 lbf ft)
----------------------------	---------	------------------------

## Cleaning the oil screens 🛠️



### Warning

**Danger of scalding** Engine oil and gear oil get very hot when the motorcycle is ridden.

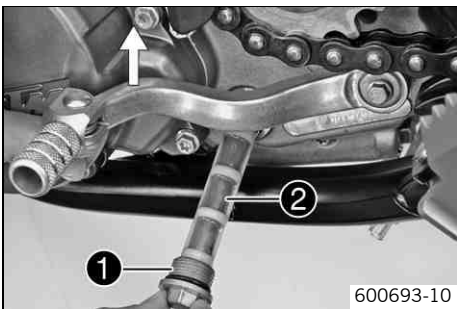
- Wear appropriate protective clothing and safety gloves. In case of burns, rinse immediately with lukewarm water.



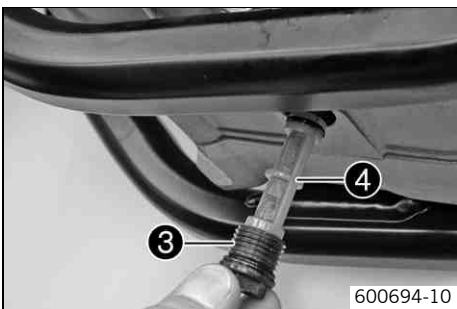
### Warning

**Environmental hazard** Hazardous substances cause environmental damage.

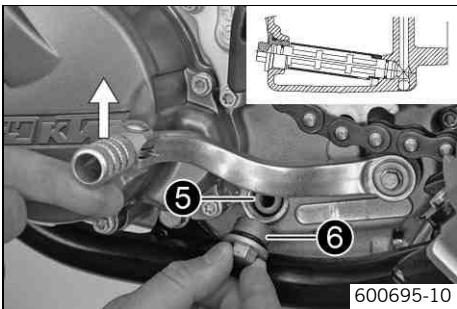
- Oil, grease, filters, fuel, cleaners, brake fluid, etc., should be disposed of as stipulated in applicable regulations.



- Place a suitable container under the engine.
- Remove plug ❶ with oil screen ❷ and the O-rings.



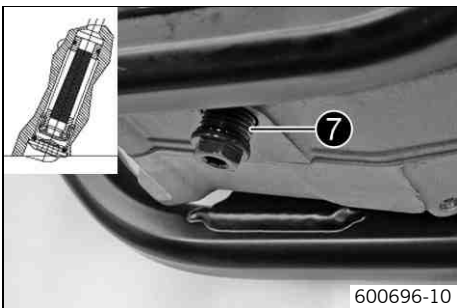
- Remove plug ❸ with oil screen ❹ and the O-rings.
- Drain the remaining engine oil.
- Thoroughly clean parts and sealing area.



- Position oil screen ❺ with the O-rings.
- Mount and tighten plug ❻ with the O-ring.

Guideline

Plug for oil screen, long	M20x1.5	15 Nm (11.1 lbf ft)
---------------------------	---------	------------------------



- Position the oil screen with the O-rings.
- Mount and tighten plug ❼ with the O-ring.

Guideline

Plug for oil screen, short	M16x1.5	10 Nm (7.4 lbf ft)	lubricated with engine oil
----------------------------	---------	-----------------------	----------------------------

## Removing the oil filter ↩



### Warning

**Danger of scalding** Engine oil and gear oil get very hot when the motorcycle is ridden.

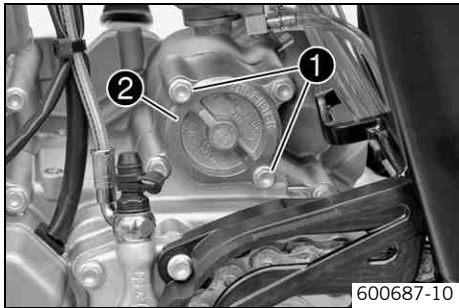
- Wear appropriate protective clothing and safety gloves. In case of burns, rinse immediately with lukewarm water.



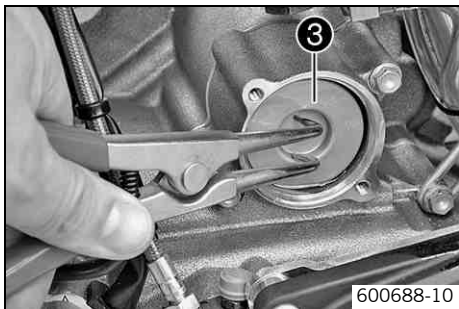
### Warning

**Environmental hazard** Hazardous substances cause environmental damage.

- Oil, grease, filters, fuel, cleaners, brake fluid, etc., should be disposed of as stipulated in applicable regulations.



600687-10



600688-10

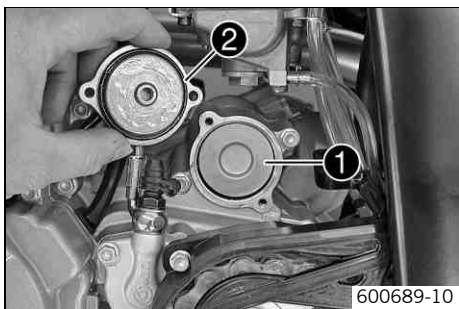
- Place a suitable container under the engine.
- Remove screws ①. Remove oil filter cover ② with the O-ring.

- Pull the oil filter insert ③ out of the oil filter casing.

Circlip pliers reverse (51012011000)
--------------------------------------

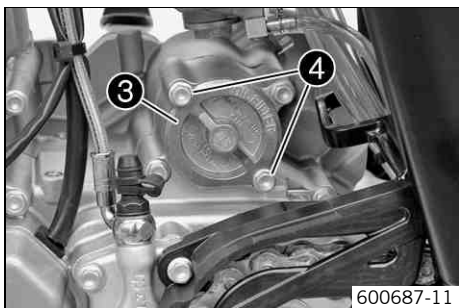
- Completely drain the engine oil.
- Thoroughly clean parts and sealing surface.

## Installing the oil filter ↩



600689-10

- Lay the motorcycle on its side and fill the oil filter housing to about 1/3 full with engine oil.
- Fill oil filter ① with engine oil and place it in the oil filter container.
- Lubricate O-ring ② of the oil filter cover.



600687-11

- Mount oil filter cover ③.
- Mount and tighten screws ④.

### Guideline

Screw, oil filter cover	M5	6 Nm (4.4 lbf ft)
-------------------------	----	-------------------

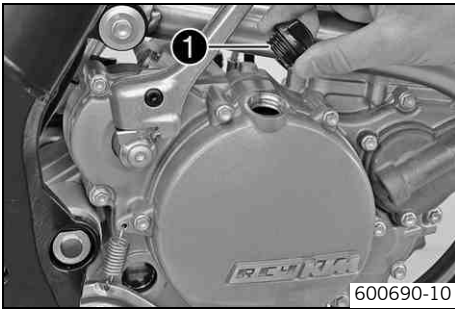
- Stand the motorcycle up.

## Filling up with engine oil



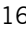
### Info

Too little engine oil or poor-quality engine oil results in premature wear to the engine.



600690-10

- Remove screw connection ❶ on the clutch cover and fill up with engine oil.

Engine oil	1.10 l (1.16 qt.)	Engine oil (SAE 10W/50) (  p. 116)
------------	-------------------	---

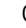
- Mount and tighten screw cap ❶.



### Danger

**Danger of poisoning** Exhaust gases are poisonous and inhaling them may result in unconsciousness and/or death.

- When running the engine, always make sure there is sufficient ventilation, and do not start or run the engine in an enclosed space without an effective exhaust extraction system.

- Start the engine and check that it is oil-tight.
- Check the engine oil level. ( p. 87)

## Adding engine oil




### Info

Too little engine oil or poor-quality engine oil results in premature wear to the engine.



600690-10

- Remove screw cap ❶ from the clutch cover and fill up with engine oil.

Engine oil (SAE 10W/50) (  p. 116)
---

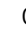
- Mount and tighten screw cap ❶.



### Danger

**Danger of poisoning** Exhaust gases are poisonous and inhaling them may result in unconsciousness and/or death.

- When running the engine, always make sure there is sufficient ventilation, and do not start or run the engine in an enclosed space without an effective exhaust extraction system.

- Start the engine and check that it is oil-tight.
- Check the engine oil level. ( p. 87)

Faults	Possible cause	Action
The engine cannot be cranked (electric starter) (EXC-F, EXC-F SIX DAYS, XCF-W)	Operating error	<ul style="list-style-type: none"> <li>Go through the steps of starting the engine. (☛ p. 31)</li> </ul>
	Battery discharged	<ul style="list-style-type: none"> <li>Recharge the battery. ☛ (☛ p. 74)</li> <li>Check the charging voltage. ☛</li> <li>Check the stall current. ☛</li> <li>Check the generator. ☛</li> </ul>
	Fuse blown	<ul style="list-style-type: none"> <li>Remove the fuse. (☛ p. 75)</li> <li>Replace the fuse. (☛ p. 75)</li> </ul>
	Starter relay defective	<ul style="list-style-type: none"> <li>Check the starter relay. ☛</li> </ul>
	Starter motor defective	<ul style="list-style-type: none"> <li>Check the starter motor. ☛</li> </ul>
Engine turns but does not start	Operating error	<ul style="list-style-type: none"> <li>Go through the steps of starting the engine. (☛ p. 31)</li> </ul>
	Motorcycle was out of use for a long time and there is old fuel in the float chamber	<ul style="list-style-type: none"> <li>Empty the carburetor float chamber. ☛ (☛ p. 86)</li> </ul>
	Fuel feed interrupted	<ul style="list-style-type: none"> <li>Check the fuel tank breather.</li> <li>Clean the fuel tap.</li> <li>Check/adjust the carburetor components. ☛</li> </ul>
	Engine flooded	<ul style="list-style-type: none"> <li>Clean and dry the spark plug or replace if necessary.</li> </ul>
	Spark plug oily or wet	<ul style="list-style-type: none"> <li>Clean and dry the spark plug or replace if necessary.</li> </ul>
	Electrode distance (plug gap) of spark plug too wide	<ul style="list-style-type: none"> <li>Adjust the plug gap.</li> <li>Guideline Spark plug electrode gap 0.7 mm (0.028 in)</li> </ul>
	Defect in ignition system	<ul style="list-style-type: none"> <li>Check the ignition system. ☛</li> </ul>
	Short-circuit cable in wiring harness frayed, short-circuit button or emergency OFF switch defective	<ul style="list-style-type: none"> <li>Check the wiring harness. (visual check)</li> <li>Check the electrical system.</li> </ul>
	Plug connector of CDI control device, pulse generator or ignition coil oxidized.	<ul style="list-style-type: none"> <li>Clean the plug connector and treat it with contact spray.</li> </ul>
Engine has no idle	Idling jet blocked	<ul style="list-style-type: none"> <li>Check/adjust the carburetor components. ☛</li> </ul>
	Adjusting screws on carburetor distorted	<ul style="list-style-type: none"> <li>Carburetor - adjust the idle speed. ☛ (☛ p. 85)</li> </ul>
	Spark plug defective	<ul style="list-style-type: none"> <li>Change spark plug.</li> </ul>
	Ignition system defective	<ul style="list-style-type: none"> <li>Check the ignition coil. ☛</li> <li>Check the CDI controller. ☛</li> <li>Check the spark plug connector. ☛</li> <li>Check the ignition pulse generator. ☛</li> <li>Check the generator. ☛</li> </ul>
Engine does not speed up	Carburetor running over because float needle dirty or worn.	<ul style="list-style-type: none"> <li>Check/adjust the carburetor components. ☛</li> </ul>
	Loose carburetor jets	<ul style="list-style-type: none"> <li>Check/adjust the carburetor components. ☛</li> </ul>
	Ignition system defective	<ul style="list-style-type: none"> <li>Check the ignition coil. ☛</li> <li>Check the CDI controller. ☛</li> <li>Check the spark plug connector. ☛</li> <li>Check the ignition pulse generator. ☛</li> <li>Check the generator. ☛</li> </ul>
Engine has a lack of power	Fuel feed interrupted	<ul style="list-style-type: none"> <li>Check the fuel tank breather.</li> <li>Clean the fuel tap.</li> <li>Check/adjust the carburetor components. ☛</li> </ul>

Faults	Possible cause	Action
Engine has a lack of power	Air filter severely contaminated	– Clean the air filter. 🛠️ (📖 p. 82)
	Exhaust system leaky, deformed or too little glass fiber yarn filling in main silencer	– Check exhaust system for damage. – Change glass fiber yarn filling of main silencer. 🛠️
	Valve clearance too little	– Adjust the valve clearance. 🛠️
	Ignition system defective	– Check the ignition coil. 🛠️ – Check the CDI controller. 🛠️ – Check the spark plug connector. 🛠️ – Check the ignition pulse generator. 🛠️ – Check the generator. 🛠️
Engine stalls or pops back into the carburetor	Lack of fuel	<b>(EXC-F, EXC-F SIX DAYS, XCF-W)</b> – Turn handle ❶ of the fuel tap to the <b>ON</b> position. (Figure 500137-10📖 p. 22) <b>(SX-F)</b> – Turn handle ❶ of the fuel tap to the <b>ON</b> position. (Figure 500178-10📖 p. 22) – Refuel. (📖 p. 33)
	The intake system has an air leak	– Check rubber sleeves and carburetor for tightness.
Engine overheats	Coolant level low in cooling system	– Check the cooling system for leaks. – Check the coolant level. (📖 p. 79)
	Insufficient airflow	– Switch off engine when stationary.
	Radiator fins very dirty	– Clean radiator fins.
	Foam formation in cooling system	– Drain the coolant. 🛠️ (📖 p. 80) – Refill the coolant. 🛠️ (📖 p. 80)
	Bent radiator hose	– Change the radiator hose. 🛠️
	Thermostat defective	– Check the thermostat. 🛠️ Guideline Opening temperature: 70 °C (158 °F)
	Defect in radiator fan system (XCF-W, 250 EXC-F SIX DAYS EU)	– Check the radiator fan fuse. – Check the radiator fan. 🛠️ – Check the thermostat. 🛠️
High oil consumption	Engine vent hose bent	– Route the vent hose without bends or replace it if necessary.
	Engine oil level too high	– Check the engine oil level. (📖 p. 87)
	Engine oil too thin (low viscosity)	– Change the engine oil and oil filter, clean the oil screen. 🛠️ (📖 p. 87)
	Piston or cylinder is worn	– Piston/cylinder - determine the mounting clearance 🛠️
Battery discharged	The battery does not charge	– Check the charging voltage. 🛠️ – Check the charging current. 🛠️ – Check the generator. 🛠️
	Undesired power consumer	– Check the stall current. 🛠️
Speedometer values deleted (time, stop watch, lap times)	The battery in the speedometer is empty.	– Change the battery in the speedometer.

## Cleaning the motorcycle

### Note

**Material damage** Damage and destruction of components by high-pressure cleaning equipment.

- Never clean the vehicle with high-pressure cleaning equipment or a strong water-jet. The excessive pressure can penetrate electrical components, socket connects, throttle cables, and bearings, etc., and can damage or destroy these parts.



### Warning

**Environmental hazard** Hazardous substances cause environmental damage.

- Oil, grease, filters, fuel, cleaners, brake fluid, etc., should be disposed of as stipulated in applicable regulations.



### Info

If you clean the motorcycle regularly, its value and appearance are maintained over a long period. Avoid direct sunlight on the motorcycle during cleaning.

- Close off the exhaust system to prevent water from entering.
- First remove coarse dirt particles with a gentle water spray.
- Spray very dirty areas with a normal motorcycle cleaner and then clean with a soft brush.

Motorcycle cleaner (☛ p. 117)



### Info

Use warm water containing normal motorcycle cleaner and a soft sponge.

- After rinsing the motorcycle with a gentle water spray, allow it to dry thoroughly.
- Empty the carburetor float chamber. ☛ (☛ p. 86)



### Warning

**Danger of accidents** Reduced braking efficiency due to wet or dirty brakes.

- Clean or dry dirty or wet brakes by riding and braking gently.

- After cleaning, take a short ride until the engine reaches operating temperature.



### Info

The heat produced causes water at inaccessible positions in the engine and the brakes to evaporate.

- Push back the protective covers from the handlebar armatures to allow any water that may have entered there to evaporate.
- After the motorcycle has cooled off, oil or grease all moving parts and bearings.
- Clean the chain. (☛ p. 56)
- Treat bare metal parts (except for brake discs and exhaust system) with anti-corrosion materials.

Cleaning and polishing materials for metal, rubber and plastic (☛ p. 117)

- Treat all plastic parts and powder-coated parts with a mild cleaning and care product.

Cleaning and polishing materials for metal, rubber and plastic (☛ p. 117)

- To prevent electrical problems, treat electric contacts and switches with contact spray.

Contact spray (☛ p. 117)

### (EXC-F, EXC-F SIX DAYS)

- Lubricate the steering lock.

Universal oil spray (☛ p. 118)

## Storage



### Warning

**Danger of poisoning** Fuel is poisonous and a health hazard.

- Avoid contact between fuel and skin, eyes and clothing. Do not inhale fuel vapors. If fuel gets into your eyes, rinse immediately with water and contact a doctor. Wash affected skin areas immediately with soap and water. If fuel is swallowed, contact a doctor immediately. Change clothing that has come into contact with fuel. Store fuel in a suitable canister according to regulations and keep it out of the reach of children.



### Info

If you want to garage the motorcycle for a longer period, take the following actions.

Before storing the motorcycle, check all parts for function and wear. If service, repairs or replacements are necessary, you should do this during the storage period (less workshop overload). In this way, you can avoid long workshop waiting times at the start of the new season.

- Clean the motorcycle. (🔧 p. 93)
- Change the engine oil and oil filter, clean the oil screen. 🛠️ (🔧 p. 87)
- Check the anti-freeze and coolant level. (🔧 p. 79)
- Drain the fuel from the tank into a suitable container.
- Empty the carburetor float chamber. 🛠️ (🔧 p. 86)
- Check the tire air pressure. (🔧 p. 73)

#### (EXC-F, EXC-F SIX DAYS, XCF-W)

- Remove the battery. 🛠️ (🔧 p. 74)

#### (EXC-F, EXC-F SIX DAYS, XCF-W)

- Recharge the battery. 🛠️ (🔧 p. 74)

Guideline

Storage temperature of battery without direct sunlight.	0... 35 °C (32... 95 °F)
---	--------------------------

- The storage place should be dry and not subject to large temperature fluctuations.



### Info

KTM recommends jacking up the motorcycle.

- Jack up the motorcycle. (🔧 p. 40)
- Cover the motorcycle with a porous sheet or blanket. Do not use non-porous materials since they prevent humidity from escaping, thus causing corrosion.



### Info

Avoid running the engine for a short time only. Since the engine cannot warm up properly, the water vapor produced during combustion condenses and causes valves and exhaust system to rust.

## Putting into operation after storage

- Remove the motorcycle from the work stand. (🔧 p. 40)

#### (EXC-F, EXC-F SIX DAYS, XCF-W)

- Install the battery. 🛠️ (🔧 p. 74)
- Refuel. (🔧 p. 33)
- Check before putting into operation. (🔧 p. 31)
- Take a test ride.



Design	1-cylinder 4-stroke engine, water-cooled
Displacement	248.60 cm <sup>3</sup> (15.1706 cu in)
Stroke	54.80 mm (2.1575 in)
Bore	76 mm (2.99 in)
Compression ratio	12.8:1
Idle speed	1,400... 1,500 rpm
Control	DOHC, four valves controlled via cam lever, drive via tooth-wheel chain
Valve diameter, intake	30.0 mm (1.181 in)
Valve diameter, exhaust	26.0 mm (1.024 in)
Valve clearance	
Exhaust at: 20 °C (68 °F)	0.12... 0.17 mm (0.0047... 0.0067 in)
Intake at: 20 °C (68 °F)	0.10... 0.15 mm (0.0039... 0.0059 in)
Crankshaft bearing	2 cylinder bearings
Conrod bearing	Needle bearing
Piston pin bearing	Bronze bush
Pistons	Forged light alloy
Piston rings	1 compression ring, 1 oil scraper ring
Engine lubrication	Pressure circulation lubrication with two rotary pumps
Primary transmission	22:68
Clutch	Multidisc clutch in oil bath/hydraulically activated
Transmission ratio (EXC-F, EXC-F SIX DAYS, XCF-W)	
1st gear	13:33
2nd gear	17:33
3rd gear	19:29
4th gear	23:28
5th gear	23:23
6th gear	26:22
Transmission ratio (SX-F)	
1st gear	13:32
2nd gear	15:30
3rd gear	17:28
4th gear	19:26
5th gear	21:25
6th gear	22:24
Generator (EXC-F, EXC-F SIX DAYS, XCF-W)	
Light coil and charging coil	12 V, 80 W
Generator (SX-F)	
Light coil and charging coil	none
Ignition	Contactless controlled fully electronic ignition with digital ignition adjustment, type Kokusan
Spark plug	NGK CR 9 EKB
Spark plug electrode gap	0.7 mm (0.028 in)
Cooling	Water cooling, permanent circulation of coolant by water pump
Starting aid (EXC-F, EXC-F SIX DAYS, XCF-W)	Electric starter/kickstarter
Starting aid (SX-F)	Kickstarter

## Capacity - engine oil

Engine oil	1.10 l (1.16 qt.)	Engine oil (SAE 10W/50) (☛ p. 116)
------------	-------------------	------------------------------------

## Capacity - coolant

Coolant	1.2 l (1.3 qt.)	Coolant (☛ p. 116)
		Coolant (mixed ready to use) (☛ p. 116)

Oil jet, conrod lubrication	M4		Loctite® 243™
Oil jet for cam lever lubrication	M5	4 Nm (3 lbf ft)	Loctite® 243™
Screw, freewheel hub	M5	7 Nm (5.2 lbf ft)	Loctite® 243™
Screw, ignition pulse generator	M5	6 Nm (4.4 lbf ft)	Loctite® 243™
Screw, locking lever	M5	6 Nm (4.4 lbf ft)	Loctite® 243™
Screw, oil filter cover	M5	6 Nm (4.4 lbf ft)	–
Screw, oil pump cover	M5	6 Nm (4.4 lbf ft)	Loctite® 243™
Screw, stator bracket (SX-F)	M5	6 Nm (4.4 lbf ft)	Loctite® 243™
Locking screw for bearing	M6	6 Nm (4.4 lbf ft)	Loctite® 243™
Screw, cable holder in generator cover	M6	6 Nm (4.4 lbf ft)	Loctite® 243™
Screw, clutch cover	M6	10 Nm (7.4 lbf ft)	–
Screw, clutch slave cylinder	M6	10 Nm (7.4 lbf ft)	–
Screw, clutch spring	M6	10 Nm (7.4 lbf ft)	–
Screw, cover plate of valve cover	M6	3 Nm (2.2 lbf ft)	Loctite® 243™
Screw, cylinder head	M6	10 Nm (7.4 lbf ft)	–
Screw, engine housing	M6	10 Nm (7.4 lbf ft)	–
Screw, exhaust flange	M6	10 Nm (7.4 lbf ft)	Loctite® 243™
Screw, generator cover	M6	10 Nm (7.4 lbf ft)	–
Screw, kickstarter stop	M6	10 Nm (7.4 lbf ft)	Loctite® 243™
Screw, shift drum locating	M6	10 Nm (7.4 lbf ft)	Loctite® 243™
Screw, shift lever	M6	10 Nm (7.4 lbf ft)	Loctite® 243™
Screw, starter motor (EXC-F, EXC-F SIX DAYS, XCF-W)	M6	10 Nm (7.4 lbf ft)	–
Screw, stator bracket (EXC-F, EXC-F SIX DAYS, XCF-W)	M6	8 Nm (5.9 lbf ft)	Loctite® 243™
Screw, timing chain securing guide	M6	10 Nm (7.4 lbf ft)	Loctite® 243™
Screw, timing chain tensioning rail	M6	10 Nm (7.4 lbf ft)	Loctite® 243™
Screw, valve cover	M6	10 Nm (7.4 lbf ft)	–
Screw, water pump cover	M6	10 Nm (7.4 lbf ft)	–
Oil jet, piston cooling	M6x0.75	4 Nm (3 lbf ft)	Loctite® 243™
Nut, camshaft bearing bridge	M7	15 Nm (11.1 lbf ft)	lubricated with engine oil
Screw, camshaft bearing bridge	M7	15 Nm (11.1 lbf ft)	lubricated with engine oil
Stud, camshaft bearing bridge	M7		Loctite® 243™
Plug, crankshaft location	M8	20 Nm (14.8 lbf ft)	–
Screw, kickstarter	M8	25 Nm (18.4 lbf ft)	Loctite® 243™
Screw, timing chain guide rail	M8	10 Nm (7.4 lbf ft)	Loctite® 243™
Screw, cylinder head	M10	Tightening sequence: Tighten diagonally, beginning with the rear screw on the chain shaft. Step 1 40 Nm (29.5 lbf ft) Step 2 50 Nm (36.9 lbf ft)	lubricated with engine oil
Screw, engine sprocket	M10	60 Nm (44.3 lbf ft)	Loctite® 243™
Spark plug	M10	10... 12 Nm (7.4... 8.9 lbf ft)	–
Screw, unlocking of timing chain tensioner	M10x1	10 Nm (7.4 lbf ft)	–
Nut, rotor	M12x1	60 Nm (44.3 lbf ft)	–
Screw, camshaft gear	M12x1	80 Nm (59 lbf ft)	Loctite® 243™
Oil drain plug with magnet	M12x1.5	20 Nm (14.8 lbf ft)	–
Plug, oil pressure regulator valve	M12x1.5	20 Nm (14.8 lbf ft)	–
Plug for oil screen, short	M16x1.5	10 Nm (7.4 lbf ft)	lubricated with engine oil

Nut, inner clutch hub	M18x1.5	120 Nm (88.5 lbf ft)	<b>Loctite® 243™</b>
Nut, primary gear	M18LHx1.5	150 Nm (110.6 lbf ft)	<b>Loctite® 243™</b>
Plug for oil screen, long	M20x1.5	15 Nm (11.1 lbf ft)	–
Plug, timing chain tensioner	M24x1.5	25 Nm (18.4 lbf ft)	–

## EXC-F, EXC-F SIX DAYS

Carburetor type	KEIHIN FCR-MX 39
Carburetor identification number	3900H
Needle position	3rd position from top
Idle mixture adjusting screw	
Open	1.25 turns
Pump diaphragm stop	2.15 mm (0.0846 in)
Main jet	168
Jet needle	OBDS (OBETP)
Idling jet	42
Idle air jet	100
Cold start jet	65 (85)
Leakage nozzle	70
Slide stop	present

## XCF-W

Carburetor type	KEIHIN FCR-MX 39
Carburetor identification number	3900K
Needle position	5th position from top
Idle mixture adjusting screw	
Open	1.0 turn
Pump membrane stop	2.15 mm (0.0846 in)
Main jet	168
Jet needle	OBETP
Idling jet	42
Idle air jet	100
Cold start jet	85
Leakage nozzle	50

## SX-F

Carburetor type	KEIHIN FCR-MX 39
Carburetor identification number	3925I
Needle position	4th position from top
Idle mixture adjusting screw	
Open	1.25 turns
Pump membrane stop	2.15 mm (0.0846 in)
Main jet	175
Jet needle	OBEKP
Idling jet	40
Idle air jet	100
Cold start jet	85
Leakage nozzle	50

Frame	Central tube frame made of chrome molybdenum steel tubing	
Fork (EXC-F, EXC-F SIX DAYS, XCF-W)	<b>WP Suspension</b> Up Side Down 4860 MXMA PA	
Fork (SX-F)	<b>WP Suspension</b> Up Side Down 4860 MXMA CC	
Suspension travel		
Front	300 mm (11.81 in)	
Rear	335 mm (13.19 in)	
Fork offset (SX-F)	18 mm (0.71 in)	
Fork offset (250 EXC-F SIX DAYS EU)	19 mm (0.75 in)	
Fork offset (EXC-F EU, EXC-F AUS, XCF-W ZA)	22 mm (0.87 in)	
Shock absorber (EXC-F, EXC-F SIX DAYS, XCF-W)	<b>WP Suspension</b> PDS 5018 DCC	
Brake system	Disc brakes, brake calipers on floating bearings	
Brake discs - diameter		
Front	260 mm (10.24 in)	
Rear	220 mm (8.66 in)	
Brake discs - wear limit		
Front	2.5 mm (0.098 in)	
Rear	3.5 mm (0.138 in)	
Tire air pressure off road		
Front	1.0 bar (15 psi)	
Rear	1.0 bar (15 psi)	
Road tire pressure (EXC-F, EXC-F SIX DAYS)		
Front	1.5 bar (22 psi)	
Rear	2.0 bar (29 psi)	
Final drive (EXC-F, EXC-F SIX DAYS)	14:38 (13:50)	
Final drive (XCF-W)	13:52	
Final drive (SX-F)	13:48	
Chain	5/8 x 1/4"	
Rear sprockets available	38, 40, 42, 45, 48, 49, 50, 51, 52	
Steering head angle	63.5°	
Wheelbase	1,475±10 mm (58.07±0.39 in)	
Seat height unloaded	985 mm (38.78 in)	
Ground clearance unloaded	380 mm (14.96 in)	
Weight without fuel, approx. (EXC-F, EXC-F SIX DAYS)	105.7 kg (233 lb.)	
Weight without fuel, approx. (XCF-W)	102.6 kg (226.2 lb.)	
Weight without fuel, approx. (SX-F)	98 kg (216 lb.)	
Maximum permissible front axle load	145 kg (320 lb.)	
Maximum permissible rear axle load	190 kg (419 lb.)	
Maximum permissible overall weight	335 kg (739 lb.)	
4Ah battery (EXC-F, EXC-F SIX DAYS, XCF-W)	YTX5L-BS	Battery voltage: 12 V Nominal capacity: 4 Ah maintenance-free

## Lighting equipment

Headlight (EXC-F, EXC-F SIX DAYS, XCF-W)	S2 / socket BA20d	12 V 35/35 W
Parking light (EXC-F, EXC-F SIX DAYS, XCF-W)	W5W / socket W2.1x9.5d	12 V 5 W
Indicator lamps (EXC-F, EXC-F SIX DAYS)	W2.3W / socket W2x4.6d	12 V 2.3 W
Turn signal (EXC-F, EXC-F SIX DAYS)	R10W / socket BA15s	12 V 10 W
Brake/tail light (EXC-F, EXC-F SIX DAYS, XCF-W)	LED	

License plate lamp (EXC-F, EXC-F SIX DAYS)	W5W / socket W2.1x9.5d	12 V 5 W
---	------------------------	-------------

## Tires

Validity	Front tire	Rear tire
(EXC-F, EXC-F SIX DAYS)	<b>90/90 - 21 M/C 54M M+S TT</b> Metzeler MEC 6 DAYS EXTREME	<b>120/90 - 18 M/C 65M M+S TT</b> Metzeler MEC 6 DAYS EXTREME
(XCF-W)	<b>80/100 - 21 51M TT</b> Bridgestone Bridgestone M59	<b>100/100 - 18 64M TT</b> Bridgestone Bridgestone M402
(SX-F)	<b>80/100 - 21 51M TT</b> Bridgestone Bridgestone M59	<b>100/90 - 19 62M TT</b> Bridgestone Bridgestone M70

Additional information is available in the Service section under:  
<http://www.ktm.com>

## Capacity - fuel

Total fuel tank capacity, approx. (EXC-F, EXC-F SIX DAYS, XCF-W)	9.2 l (2.43 US gal)	Super unleaded (ROZ 95 / RON 95 / PON 91) (☛ p. 116)
Total fuel tank capacity, approx. (SX-F)	8.0 l (2.11 US gal)	Super unleaded (ROZ 95 / RON 95 / PON 91) (☛ p. 116)
Fuel reserve, approx. (EXC-F, EXC-F SIX DAYS, XCF-W)	2 l (2 qt.)	

## EXC-F, EXC-F SIX DAYS, XCF-W

Fork part number	14.18.7J.04	
Fork	<b>WP Suspension</b> Up Side Down 4860 MXMA PA	
Compression damping		
Comfort	26 clicks	
Standard	22 clicks	
Sport	18 clicks	
Rebound damping		
Comfort	24 clicks	
Standard	20 clicks	
Sport	20 clicks	
Spring preload - <b>Preload Adjuster</b>		
Comfort	0 turn	
Standard	2 turns	
Sport	4 turns	
Spring length with preload spacer(s)		
Weight of rider: 65... 75 kg (143... 165 lb.)	510 mm (20.08 in)	
Weight of rider: 75... 85 kg (165... 187 lb.)	513 mm (20.2 in)	
Weight of rider: 85... 95 kg (187... 209 lb.)	510 mm (20.08 in)	
Spring rate		
Weight of rider: 65... 75 kg (143... 165 lb.)	4.0 N/mm (22.8 lb/in)	
Weight of rider: 75... 85 kg (165... 187 lb.)	4.2 N/mm (24 lb/in)	
Weight of rider: 85... 95 kg (187... 209 lb.)	4.4 N/mm (25.1 lb/in)	
Fork length	940 mm (37.01 in)	
Air chamber length	110 <sup>+20</sup> <sub>-30</sub> mm (4.33 <sup>+0.79</sup> <sub>-1.18</sub> in)	
Fork oil per fork leg	635 ml (21.47 fl. oz.)	Fork oil (SAE 5) (☛ p. 116)

## SX-F EU

Fork part number	14.18.7J.03	
Fork	<b>WP Suspension</b> Up Side Down 4860 MXMA CC	
Compression damping		
Comfort	14 clicks	
Standard	12 clicks	
Sport	10 clicks	
Rebound damping		
Comfort	14 clicks	
Standard	12 clicks	
Sport	10 clicks	
Spring length with preload spacer(s)		
492 mm (19.37 in)		
Spring rate		
Weight of rider: 65... 75 kg (143... 165 lb.)	4.2 N/mm (24 lb/in)	
Weight of rider: 75... 85 kg (165... 187 lb.)	4.4 N/mm (25.1 lb/in)	
Weight of rider: 85... 95 kg (187... 209 lb.)	4.6 N/mm (26.3 lb/in)	
Fork length	940 mm (37.01 in)	
Gas pressure	1.2 bar (17 psi)	
Oil capacity per cartridge	195 ml (6.59 fl. oz.)	Fork oil (SAE 5) (☛ p. 116)
Oil capacity fork leg without cartridge	360 ml (12.17 fl. oz.)	Fork oil (SAE 5) (☛ p. 116)



## SX-F USA

Fork part number	14.18.7J.22	
Fork	<b>WP Suspension</b> Up Side Down 4860 MXMA CC	
Compression damping		
Comfort	14 clicks	
Standard	12 clicks	
Sport	10 clicks	
Rebound damping		
Comfort	14 clicks	
Standard	12 clicks	
Sport	10 clicks	
Spring length with preload spacer(s)	492 mm (19.37 in)	
Spring rate		
Weight of rider: 65... 75 kg (143... 165 lb.)	4.4 N/mm (25.1 lb/in)	
Weight of rider: 75... 85 kg (165... 187 lb.)	4.6 N/mm (26.3 lb/in)	
Weight of rider: 85... 95 kg (187... 209 lb.)	4.8 N/mm (27.4 lb/in)	
Fork length	940 mm (37.01 in)	
Gas pressure	1.2 bar (17 psi)	
Oil capacity per cartridge	195 ml (6.59 fl. oz.)	Fork oil (SAE 5) (☛ p. 116)
Oil capacity fork leg without cartridge	375 ml (12.68 fl. oz.)	Fork oil (SAE 5) (☛ p. 116)

## EXC-F, EXC-F SIX DAYS, XCF-W

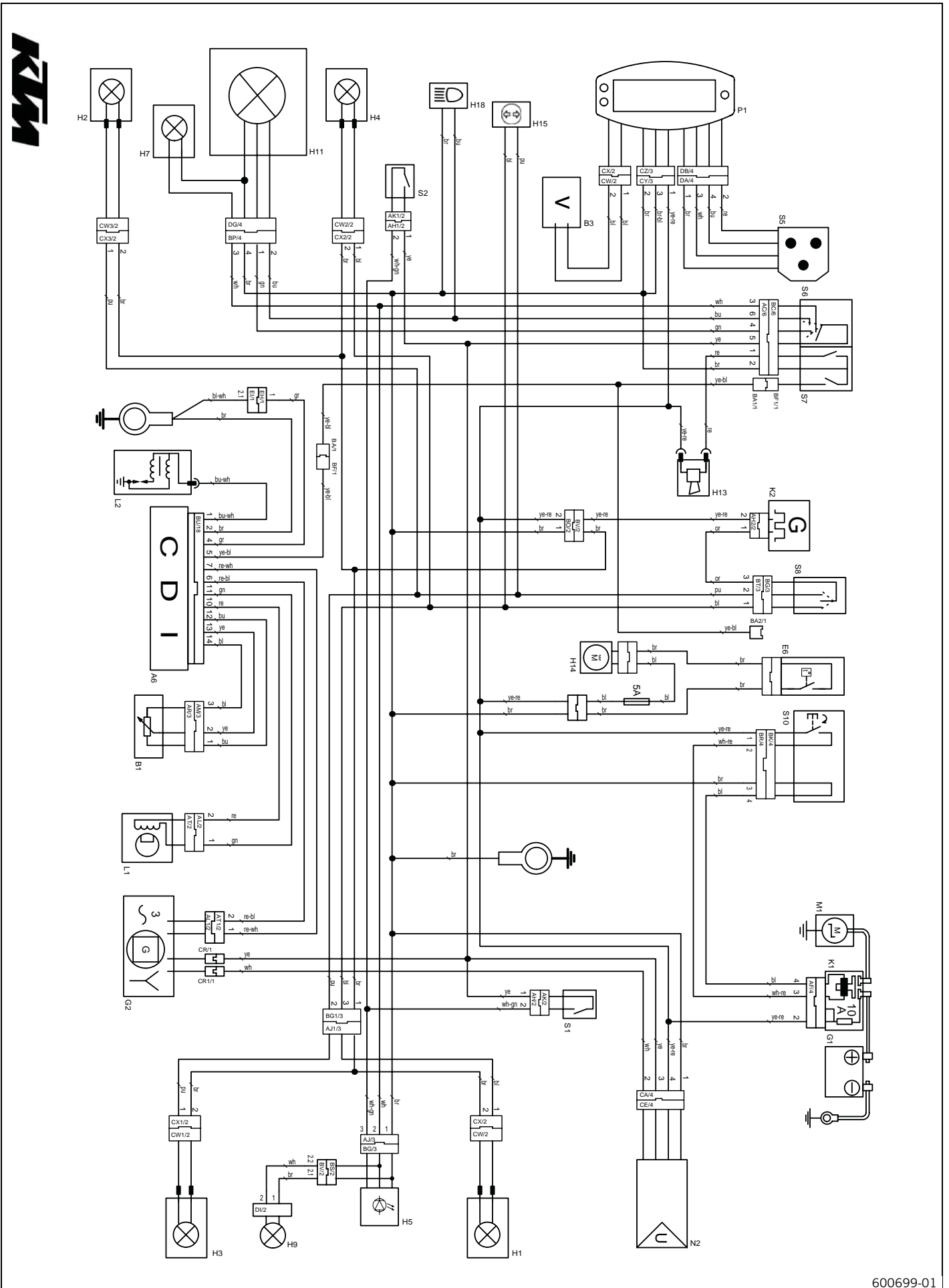
Shock absorber part number	12.18.7J.04
Shock absorber	<b>WP Suspension</b> PDS 5018 DCC
Compression damping, low-speed	
Comfort	22 clicks
Standard	20 clicks
Sport	15 clicks
Compression damping, high-speed	
Comfort	2 turns
Standard	1.5 turns
Sport	1.25 turns
Rebound damping	
Comfort	26 clicks
Standard	24 clicks
Sport	22 clicks
Spring preload	8 mm (0.31 in)
Spring rate	
Weight of rider: 65... 75 kg (143... 165 lb.)	66 N/mm (377 lb/in)
Weight of rider: 75... 85 kg (165... 187 lb.)	69 N/mm (394 lb/in)
Weight of rider: 85... 95 kg (187... 209 lb.)	72 N/mm (411 lb/in)
Spring length	250 mm (9.84 in)
Gas pressure	10 bar (145 psi)
Static sag	35 mm (1.38 in)
Riding sag	105 mm (4.13 in)
Fitted length	411 mm (16.18 in)

## SX-F

Shock absorber part number	12.18.7J.03
Shock absorber	<b>WP Suspension</b> PDS 5018 DCC
Compression damping, low-speed	
Comfort	17 clicks
Standard	15 clicks
Sport	13 clicks
Compression damping, high-speed	
Comfort	2 turns
Standard	1.5 turns
Sport	1 turn
Rebound damping	
Comfort	24 clicks
Standard	22 clicks
Sport	22 clicks
Spring preload	6 mm (0.24 in)
Spring rate	
Weight of rider: 65... 75 kg (143... 165 lb.)	66 N/mm (377 lb/in)
Weight of rider: 75... 85 kg (165... 187 lb.)	69 N/mm (394 lb/in)
Weight of rider: 85... 95 kg (187... 209 lb.)	72 N/mm (411 lb/in)
Spring length	250 mm (9.84 in)
Gas pressure	10 bar (145 psi)
Static sag	33 mm (1.3 in)
Riding sag	105 mm (4.13 in)
Fitted length	411 mm (16.18 in)

Spoke nipple, front wheel	M4.5	5... 6 Nm (3.7... 4.4 lbf ft)	–
Spoke nipple, rear wheel	M5	5... 6 Nm (3.7... 4.4 lbf ft)	–
Remaining nuts, chassis	M6	15 Nm (11.1 lbf ft)	–
Remaining screws, chassis	M6	10 Nm (7.4 lbf ft)	–
Screw, ball joint of push rod on foot-brake cylinder	M6	10 Nm (7.4 lbf ft)	–
Screw, front brake disc	M6	14 Nm (10.3 lbf ft)	–
Screw, rear brake disc	M6	14 Nm (10.3 lbf ft)	–
Screw, shock absorber adjusting ring	M6	5 Nm (3.7 lbf ft)	–
Nut, rear sprocket screw	M8	35 Nm (25.8 lbf ft)	<b>Loctite® 243™</b>
Nut, rim lock	M8	10 Nm (7.4 lbf ft)	–
Remaining nuts, chassis	M8	30 Nm (22.1 lbf ft)	–
Remaining screws, chassis	M8	25 Nm (18.4 lbf ft)	–
Screw, bottom triple clamp (SX-F, 250 EXC-F SIX DAYS EU)	M8	12 Nm (8.9 lbf ft)	–
Screw, bottom triple clamp (EXC-F EU, EXC-F AUS, XCF-W ZA)	M8	15 Nm (11.1 lbf ft)	–
Screw, engine brace	M8	33 Nm (24.3 lbf ft)	–
Screw, fork stub	M8	15 Nm (11.1 lbf ft)	–
Screw, front brake caliper	M8	25 Nm (18.4 lbf ft)	<b>Loctite® 243™</b>
Screw, handlebar clamp	M8	20 Nm (14.8 lbf ft)	–
Screw, side stand fixing	M8	40 Nm (29.5 lbf ft)	<b>Loctite® 243™</b>
Screw, subframe	M8	35 Nm (25.8 lbf ft)	<b>Loctite® 243™</b>
Screw, top steering stem (SX-F, 250 EXC-F SIX DAYS EU)	M8	17 Nm (12.5 lbf ft)	<b>Loctite® 243™</b>
Screw, top steering stem (EXC-F EU, EXC-F AUS, XCF-W ZA)	M8	20 Nm (14.8 lbf ft)	–
Screw, top triple clamp (SX-F, 250 EXC-F SIX DAYS EU)	M8	17 Nm (12.5 lbf ft)	–
Screw, top triple clamp (EXC-F EU, EXC-F AUS, XCF-W ZA)	M8	20 Nm (14.8 lbf ft)	–
Engine attachment bolt	M10	60 Nm (44.3 lbf ft)	–
Remaining nuts, chassis	M10	50 Nm (36.9 lbf ft)	–
Remaining screws, chassis	M10	45 Nm (33.2 lbf ft)	–
Screw, handlebar support	M10	40 Nm (29.5 lbf ft)	<b>Loctite® 243™</b>
Screw, bottom shock absorber	M12	80 Nm (59 lbf ft)	<b>Loctite® 243™</b>
Screw, top shock absorber	M12	80 Nm (59 lbf ft)	<b>Loctite® 243™</b>
Nut, seat fixing	M12x1	20 Nm (14.8 lbf ft)	–
Nut, swingarm pivot	M16x1.5	100 Nm (73.8 lbf ft)	–
Nut, rear wheel spindle	M20x1.5	80 Nm (59 lbf ft)	–
Screw, bottom steering head (SX-F)	M20x1.5	60 Nm (44.3 lbf ft)	<b>Loctite® 243™</b>
Screw, top steering head	M20x1.5	10 Nm (7.4 lbf ft)	–
Screw-in nozzles, cooling system	M20x1.5	12 Nm (8.9 lbf ft)	<b>Loctite® 243™</b>
Screw, front wheel spindle	M24x1.5	45 Nm (33.2 lbf ft)	–

## Wiring diagram (EXC-F EU, EXC-F SIX DAYS)



## Components

A6	CDI controller
B1	Throttle position sensor
B3	Wheel speed sensor
E6	Thermoswitch (EXC-F SIX DAYS)
G1	Battery
G2	Generator
H1	Right rear turn signal
H2	Left front turn signal
H3	Left rear turn signal
H4	Right front turn signal
H5	Brake/tail light
H7	Parking light
H9	License plate lamp
H11	Low/high beam
H13	Horn
H14	Radiator fan (EXC-F SIX DAYS)
H15	Turn signal indicator light
H18	High beam indicator light
K1	Starter relay with main fuse
K2	Turn signal relay
L1	Pulse generator
L2	Ignition coil
M1	Starter motor
N2	Voltage regulator/rectifier
P1	Speedometer
S1	Rear brake light switch
S2	Front brake light switch
S5	Tripmaster switch (optional)
S6	Light switch
S7	Horn button, short circuit button
S8	Turn signal switch
S10	Electric starter button

## Cable colors

bl	Black
bl-wh	Black-white
br	Brown
br-bl	Brown-black
bu	Blue
bu-wh	Blue-white
gn	Green
gr	Gray
or	Orange
pu	Violet
re	Red
re-bl	Red-black
re-wh	Red-white
wh	White
wh-gn	White-green
wh-re	White-red
ye	Yellow
ye-bl	Yellow-black

---

ye-re      Yellow-red

---







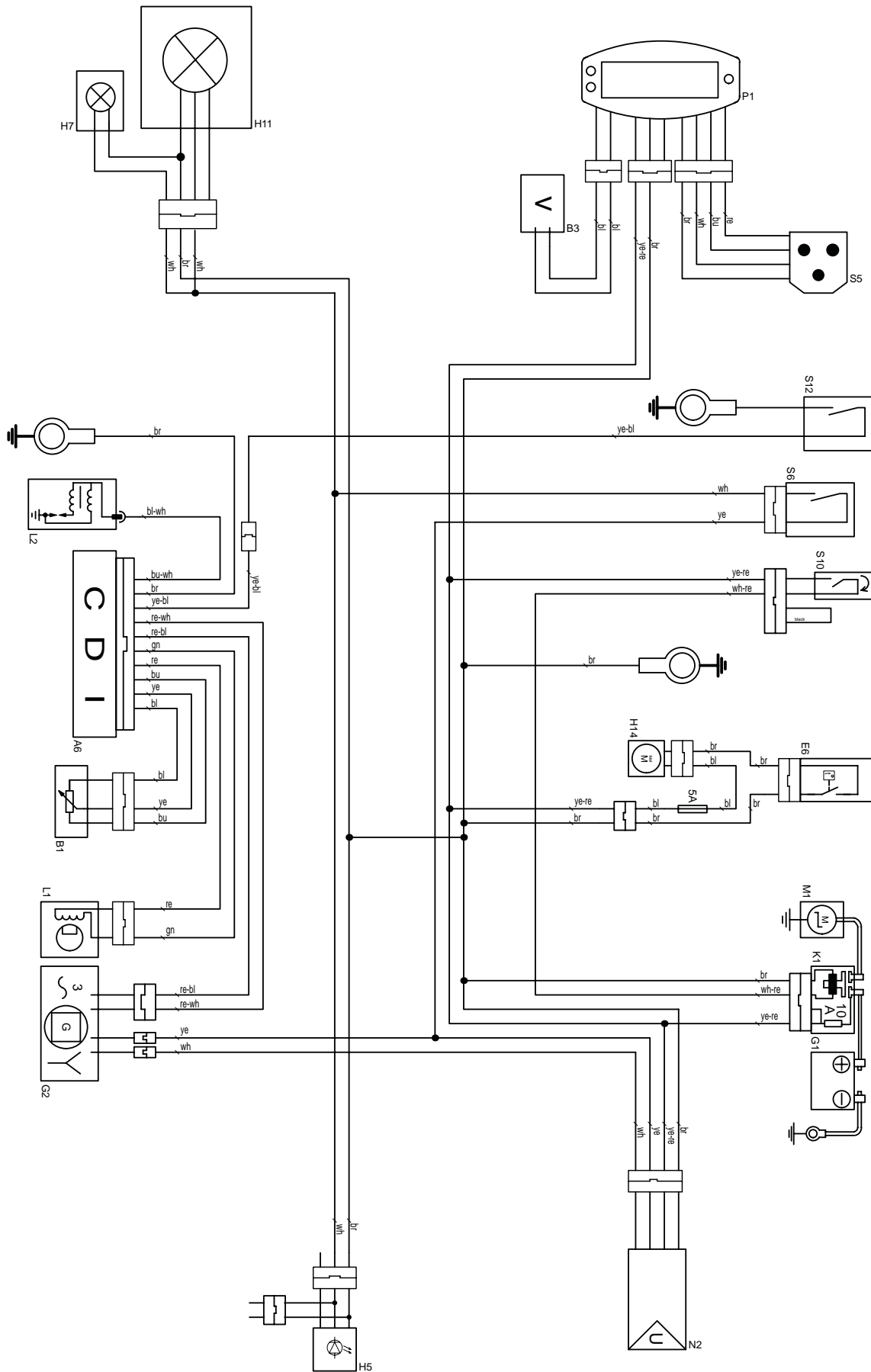
## Components

A6	CDI controller
B1	Throttle position sensor
B3	Wheel speed sensor
G1	Battery
G2	Generator
H1	Right rear turn signal
H2	Left front turn signal
H3	Left rear turn signal
H4	Right front turn signal
H5	Brake/tail light
H7	Parking light
H9	License plate lamp
H11	Low/high beam
H13	Horn
H15	Turn signal indicator light
H18	High beam indicator light
K1	Starter relay with main fuse
K2	Turn signal relay
L1	Pulse generator
L2	Ignition coil
M1	Starter motor
N2	Voltage regulator/rectifier
P1	Speedometer
S1	Rear brake light switch
S2	Front brake light switch
S5	Tripmaster switch (optional)
S6	Light switch
S7	Horn button, short circuit button
S8	Turn signal switch
S10	Electric starter button
S11	Emergency OFF switch

## Cable colors

bl	Black
br	Brown
br-bl	Brown-black
bu	Blue
bu-wh	Blue-white
gn	Green
or	Orange
pu	Violet
re	Red
re-bl	Red-black
re-wh	Red-white
wh	White
wh-gn	White-green
wh-re	White-red
ye	Yellow
ye-bl	Yellow-black
ye-re	Yellow-red

## Wiring diagram (XCF-W)



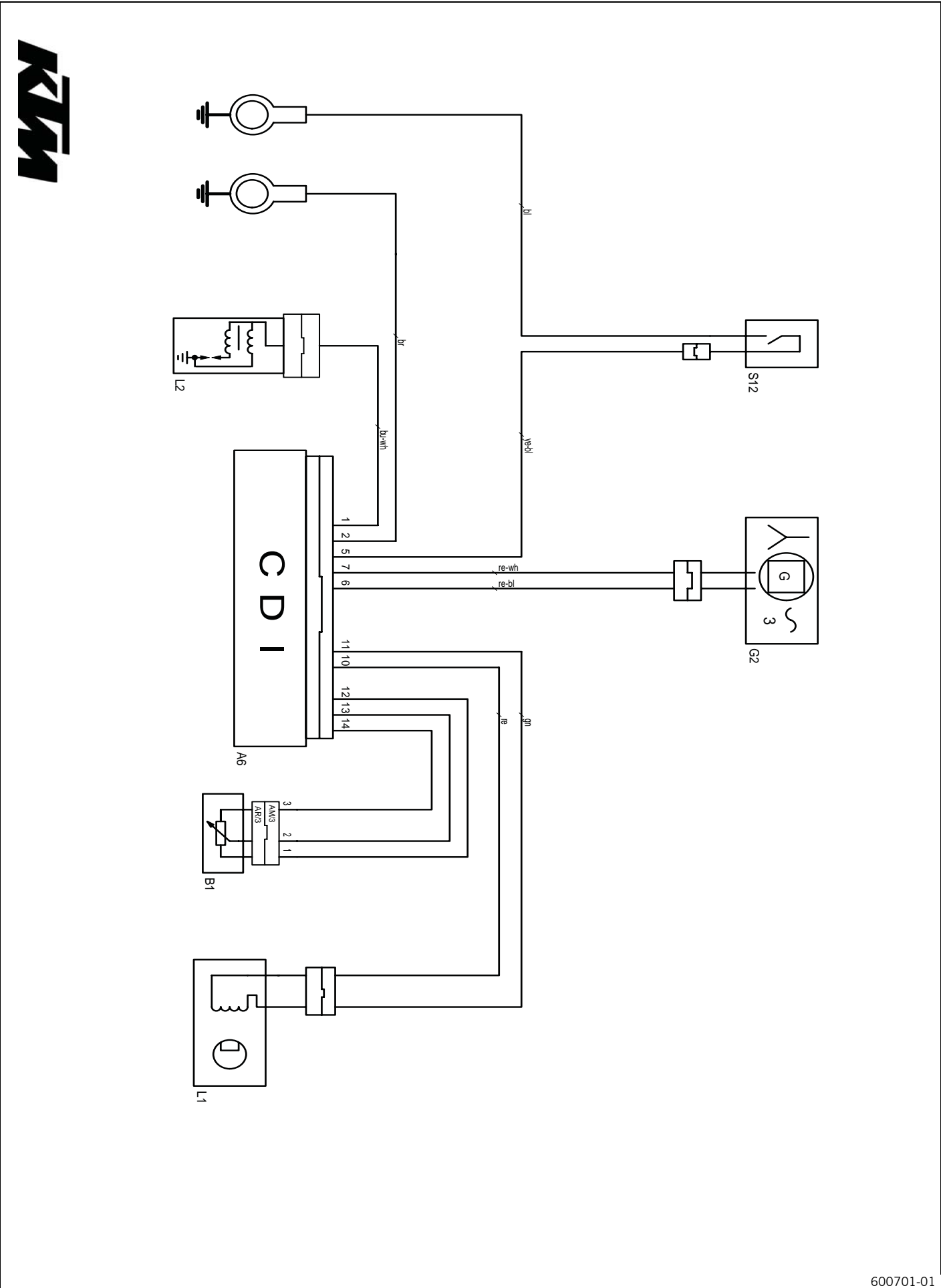
## Components

A6	CDI controller
B1	Throttle position sensor
B3	Wheel speed sensor
E6	Thermoswitch (XCF-W ZA)
G1	Battery
G2	Generator
H5	Brake/tail light (XCF-W ZA)
H7	Parking light (XCF-W ZA)
H11	Low beam (XCF-W ZA)
H14	Radiator fan (XCF-W ZA)
K1	Starter relay with main fuse
L1	Pulse generator
L2	Ignition coil
M1	Starter motor
N2	Voltage regulator/rectifier
P1	Speedometer
S5	Tripmaster switch (optional)
S6	Light switch
S10	Electric starter button
S12	Short circuit button

## Cable colors

bl	Black
bl-wh	Black-white
br	Brown
bu	Blue
bu-wh	Blue-white
gn	Green
re	Red
re-bl	Red-black
re-wh	Red-white
wh	White
wh-re	White-red
ye	Yellow
ye-bl	Yellow-black
ye-re	Yellow-red

Wiring diagram (SX-F)



**Components**

A6	CDI controller
B1	Throttle position sensor
G2	Generator
L1	Pulse generator
L2	Ignition coil
S12	Short circuit button

**Cable colors**

bl	Black
br	Brown
bu-wh	Blue-white
gn	Green
re	Red
re-bl	Red-black
re-wh	Red-white
ye-bl	Yellow-black

## Brake fluid DOT 4 / DOT 5.1

### according to

- DOT

### Guideline

- Use only brake fluid that complies with the specified standards (see specifications on the container) and that possesses the corresponding properties. KTM recommends **Castrol** and **Motorex®** products.

### Supplier

#### Castrol

- **RESPONSE BRAKE FLUID SUPER DOT 4**

#### Motorex®

- **Brake Fluid DOT 5.1**

## Coolant

### Guideline

- Use only suitable coolant (also in countries with high temperatures). Use of low-quality antifreeze can lead to corrosion and foaming. KTM recommends **Motorex®** products.

### Mixture ratio

Antifreeze protection: -25... -45 °C (-13... -49 °F)	50 % corrosion inhibitor/antifreeze 50 % distilled water
--	---

## Coolant (mixed ready to use)

Antifreeze	-40 °C (-40 °F)
------------	-----------------

### Supplier

#### Motorex®

- **Anti Freeze**

## Engine oil (SAE 10W/50)

### according to

- JASO T903 MA (☞ p. 119)
- SAE (☞ p. 119) (SAE 10W/50)

### Guideline

- Use only engine oils that comply with the specified standards (see specifications on the container) and that possess the corresponding properties. KTM recommends **Motorex®** products.

Synthetic engine oil
----------------------

### Supplier

#### Motorex®

- **Cross Power 4T**

## Fork oil (SAE 5)

### according to

- SAE (☞ p. 119) (SAE 5)

### Guideline

- Use only oils that comply with the specified standards (see specifications on the container) and that possess the corresponding properties. KTM recommends **Motorex®** products.

### Supplier

#### Motorex®

- **Racing Fork Oil**

## Super unleaded (ROZ 95 / RON 95 / PON 91)

### according to

- DIN EN 228 (ROZ 95 / RON 95 / PON 91)

**Air filter cleaner****Guideline**

- KTM recommends **Motorex®** products.

**Supplier****Motorex®**

- **Twin Air Dirt Bio Remover**

**Chain cleaner****Guideline**

- KTM recommends **Motorex®** products.

**Supplier****Motorex®**

- **Chain Clean 611**

**Cleaning and polishing materials for metal, rubber and plastic****Guideline**

- KTM recommends **Motorex®** products.

**Supplier****Motorex®**

- **Protect & Shine 645**

**Contact spray****Guideline**

- KTM recommends **Motorex®** products.

**Supplier****Motorex®**

- **Accu Contact**

**Long-life grease****Guideline**

- KTM recommends **Motorex®** products.

**Supplier****Motorex®**

- **Fett 2000**

**Motorcycle cleaner****Guideline**

- KTM recommends **Motorex®** products.

**Supplier****Motorex®**

- **Moto Clean 900**

**Off-road chain spray****Guideline**

- KTM recommends **Motorex®** products.

**Supplier****Motorex®**

- **Chain Lube 622**

**Oil for foam air filter****Guideline**

- KTM recommends **Motorex®** products.

**Supplier****Motorex®**

- **Twin Air Liquid Bio Power**

## Universal oil spray

### Guideline

- KTM recommends **Motorex®** products.

### Supplier

#### **Motorex®**

- **Joker 440 Universal**



## **JASO T903 MA**

Different technical development directions required a new specification for 4-stroke motorcycles – the JASO T903 MA Standard. Earlier, engine oils from the automobile industry were used for 4-stroke motorcycles because there was no separate motorcycle specification. Whereas long service intervals are demanded for automobile engines, high performance at high engine speeds are in the foreground for motorcycle engines. With most motorcycles, the gearbox and the clutch are lubricated with the same oil as the engine. The JASO MA Standard meets these special requirements.

## **SAE**

The SAE viscosity classes were defined by the Society of Automotive Engineers and are used for classifying oils according to their viscosity. The viscosity describes only one property of oil and says nothing about quality.

**A**

**Accessories** . . . . . 6

**Air filter**

    cleaning . . . . . 82

    installing . . . . . 82

    removing . . . . . 82

**Air filter box lid**

    installing . . . . . 81

    removing . . . . . 81

**Anti-freeze**

    checking . . . . . 79

**Arduous riding conditions** . . . . . 27

    dry sand . . . . . 27

    high temperature . . . . . 30

    low temperature . . . . . 30

    muddy surfaces . . . . . 29

    slow speed . . . . . 30

    snow . . . . . 30

    wet sand . . . . . 28

    wet surfaces . . . . . 29

**B**

**Basic position, shift lever**

    adjusting . . . . . 84

**Basic suspension setting**

    checking with rider's weight . . . . . 40

**Battery**

    installing . . . . . 74

    recharging . . . . . 74

    removing . . . . . 74

**Brake discs**

    checking . . . . . 61

**Brake fluid**

    front brake, adding . . . . . 63

    rear brake, adding . . . . . 67

**Brake fluid level**

    front brake, checking . . . . . 62

    rear brake, checking . . . . . 66

**Brake linings**

    front brake, changing . . . . . 64

    front brake, checking . . . . . 64

    rear brake, changing . . . . . 68

    rear brake, checking . . . . . 67

**C**

**Carburetor**

    adjusting idle . . . . . 85

    emptying the float chamber . . . . . 86

    idle . . . . . 85

**Chain**

    cleaning . . . . . 56

**Chain guide**

    adjusting . . . . . 60-61

**Chain tension**

    adjusting . . . . . 58

    checking . . . . . 57

**Chain wear**

    checking . . . . . 58

**Chassis number** . . . . . 10

**Choke** . . . . . 23

**Cleaning** . . . . . 93

**Clutch**

    fluid level, checking . . . . . 83

    fluid, changing . . . . . 83

**Clutch lever** . . . . . 12

    adjusting basic position . . . . . 83

**Compression damping**

    fork, adjusting . . . . . 45

**Compression damping, high-speed**

    shock absorber, adjusting . . . . . 40

**Compression damping, low-speed**

    shock absorber, adjusting . . . . . 41

**Coolant**

    draining . . . . . 80

    refilling . . . . . 80

**Coolant level**

    checking . . . . . 79

**Cooling system** . . . . . 78

**E**

**Electric starter button** . . . . . 13

**Emergency OFF switch** . . . . . 12

**Engine**

    running-in . . . . . 27

**Engine number** . . . . . 10

**Engine oil**

    adding . . . . . 90

    changing . . . . . 87

    draining . . . . . 87

    refilling . . . . . 90

**Engine oil level**

    checking . . . . . 87

**Environment** . . . . . 7

**F**

**Filler cap**

    closing . . . . . 23

    opening . . . . . 22

**Filling up**

    fuel . . . . . 33

**Foot brake lever** . . . . . 24

    adjusting basic position . . . . . 66

    checking free travel . . . . . 66

**Fork**

    basic setting, checking . . . . . 45

**Fork legs**

    bleeding . . . . . 48

    dust boots, cleaning . . . . . 48

    installing . . . . . 51

    removing . . . . . 50

**Fork protector**

    installing . . . . . 52

    removing . . . . . 52

**Front fender**

    installing . . . . . 53

- removing ..... 52
- Front wheel**
- installing ..... 70
- removing ..... 69
- Fuel tank**
- installing ..... 78
- removing ..... 77
- Fuel tap** ..... 22
- Fuel, oils, etc.** ..... 6
- Fuse**
- installing ..... 75
- removing ..... 75
- H**
- Hand brake lever** ..... 12
- basic position, adjusting ..... 62
- free travel, adjusting ..... 62
- free travel, checking ..... 61
- Handlebar position** ..... 54
- adjusting ..... 54
- Headlight**
- beam width, adjusting ..... 76
- Headlight adjustment**
- checking ..... 76
- Headlight mask with headlight**
- installing ..... 53
- removing ..... 53
- Horn button** ..... 13
- K**
- Key number** ..... 10
- Kick starter** ..... 24
- L**
- Light switch** ..... 13
- M**
- Main silencer**
- installing ..... 81
- removing ..... 81
- Maintenance** ..... 6
- Motorcycle**
- cleaning ..... 93
- O**
- Oil filter**
- changing ..... 87
- installing ..... 89
- removing ..... 89
- Oil screen**
- cleaning ..... 87
- Oil screens**
- cleaning ..... 88
- Overview of indicator lamps** ..... 14
- Owner's manual** ..... 7
- P**
- Play in throttle cable**
- adjusting ..... 56
- checking ..... 55
- Plug-in stand** ..... 24
- Putting into operation**
- advice on first use ..... 26
- after storage ..... 94
- checks before putting into operation ..... 31
- R**
- Rear sprocket / engine sprocket**
- checking for wear ..... 57
- Rear wheel**
- installing ..... 71
- removing ..... 71
- Rebound damping**
- fork, adjusting ..... 46
- shock absorber, adjusting ..... 42
- Riding sag**
- adjusting ..... 44
- S**
- Seat**
- mounting ..... 77
- removing ..... 76
- Service schedule**
- EXC-F, EXC-F SIX DAYS, XCF-W ..... 35-36
- rider ..... 39
- SX-F ..... 37-38
- Shift lever** ..... 23
- basic position, checking ..... 84
- Shock absorber**
- installing ..... 45
- removing ..... 45
- riding sag, checking ..... 43
- static sag, checking ..... 43
- Short circuit button** ..... 12
- Side stand** ..... 24
- Spare parts** ..... 6
- Speedometer**
- adjusting ..... 16
- clock, setting ..... 16
- function description ..... 15
- setting kilometers or miles ..... 15
- Spoke tension**
- checking ..... 73
- Spring preload**
- fork, adjusting ..... 47
- shock absorber, adjusting ..... 43
- Start number plate**
- installing ..... 54
- removing ..... 54
- Starting** ..... 31
- Steering**
- locking ..... 25
- unlocking ..... 25
- Steering head bearing play**
- adjusting ..... 49-50
- checking ..... 49
- Storage** ..... 94

**T****Technical data**

carburetor	99
chassis	100-101
chassis tightening torques	105
engine	95-96
engine tightening torques	97-98
fork	102-103
shock absorber	104

**Throttle cable route**

checking	55
----------	----

**Tire condition**

checking	72
----------	----

**Tire pressure**

checking	73
----------	----

<b>Transport</b>	7
------------------	---

<b>Troubleshooting</b>	91-92
------------------------	-------

<b>Turn signal switch</b>	13
---------------------------	----

<b>Type label</b>	10
-------------------	----

**U**

<b>Use definition</b>	6
-----------------------	---

**V****View of vehicle**

left front	8
right rear	9

**W**

<b>Warranty</b>	6
-----------------	---

<b>Wiring diagram</b>	106-115
-----------------------	---------

<b>Work rules</b>	6
-------------------	---



3211465en



04/2009 Photo: Mitterbauer



**KTM-Sportmotorcycle AG**  
5230 Mattighofen/Austria  
<http://www.ktm.com>