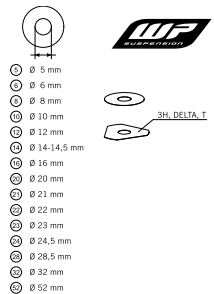
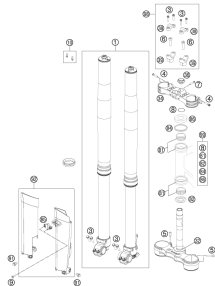
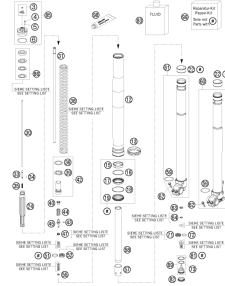
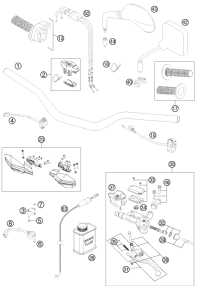
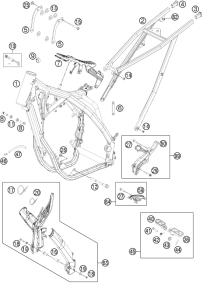
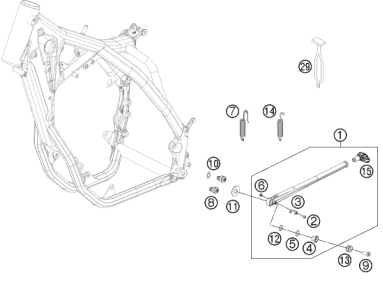
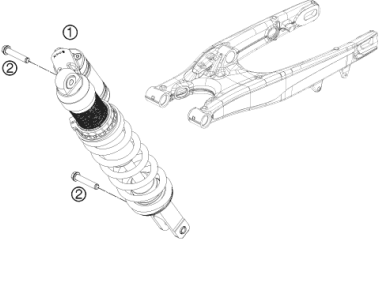
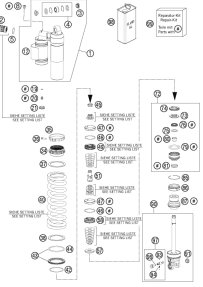
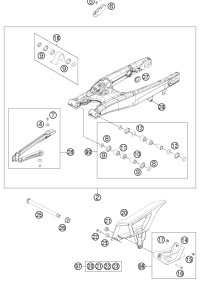
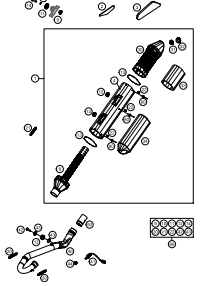
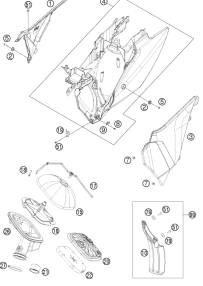
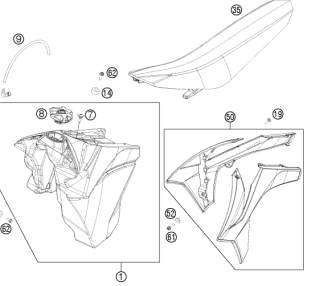
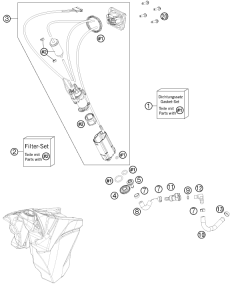
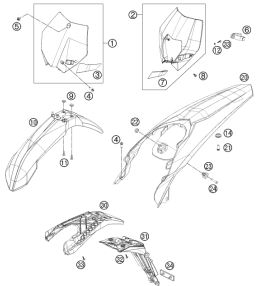
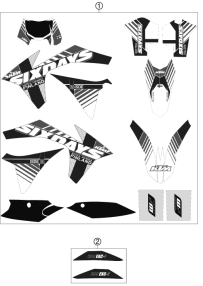
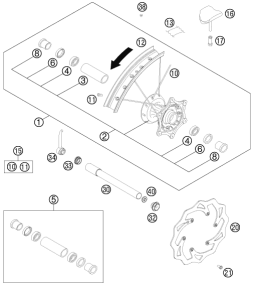
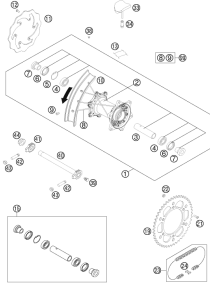
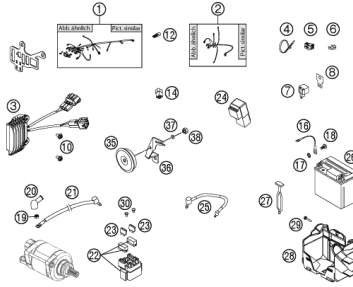
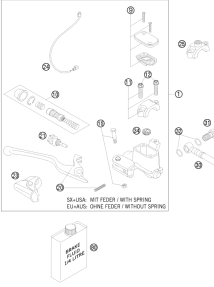
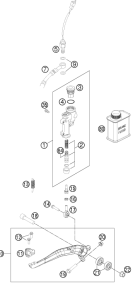
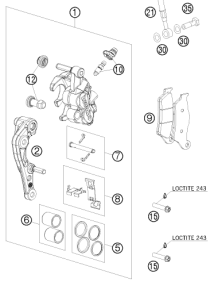
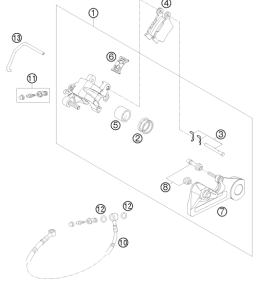
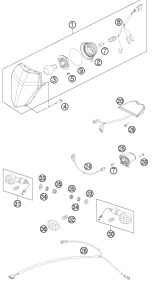
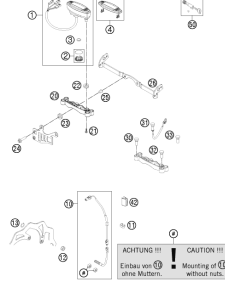


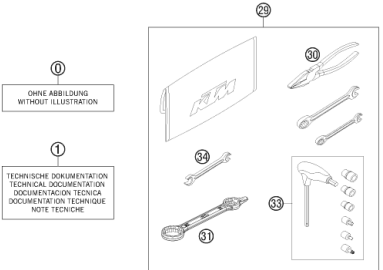

350 EXC-F SIX DAYS EU 2012

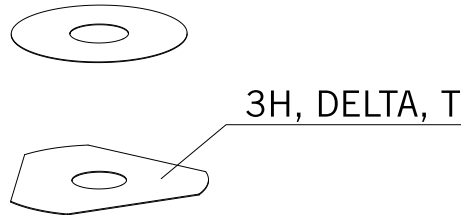
ART.-NR.: 3CF 8203L2EN



| | | | |
|--|--|---|---|
| <p>WP SHIMS FOR SETTING</p>  <p> ⓪ 5 mm ⓫ 6 mm ⓬ 8 mm ⓭ 10 mm ⓮ 12 mm ⓯ 14-14,5 mm ⓰ 16 mm ⓱ 20 mm ⓲ 21 mm ⓳ 22 mm ⓴ 23 mm ⓵ 24,5 mm ⓶ 28,5 mm ⓷ 32 mm ⓸ 52 mm </p> <p style="text-align: right;">4</p> | <p>FRONT FORK, TRIPLE CLAMP</p>  <p style="text-align: right;">11</p> | <p>FRONT FORK DISASSEMBLED</p>  <p style="text-align: right;">12</p> | <p>HANDLEBAR, CONTROLS</p>  <p style="text-align: right;">14</p> |
| <p>FRAME</p>  <p style="text-align: right;">15</p> | <p>SIDE / CENTER STAND</p>  <p style="text-align: right;">17</p> | <p>SHOCK ABSORBER</p>  <p style="text-align: right;">18</p> | <p>SHOCK ABSORBER DISASSEMBLED</p>  <p style="text-align: right;">19</p> |
| <p>SWING ARM</p>  <p style="text-align: right;">21</p> | <p>EXHAUST SYSTEM</p>  <p style="text-align: right;">22</p> | <p>AIR FILTER</p>  <p style="text-align: right;">23</p> | <p>TANK, SEAT, COVER</p>  <p style="text-align: right;">24</p> |

| | | | |
|--|---|--|--|
| <p>FUEL PUMP</p>  <p>25</p> | <p>MASK, FENDERS</p>  <p>26</p> | <p>DECAL</p>  <p>27</p> | <p>FRONT WHEEL</p>  <p>28</p> |
| <p>REAR WHEEL</p>  <p>29</p> | <p>WIRING HARNESS</p>  <p>30</p> | <p>HAND BRAKE CYLINDER</p>  <p>31</p> | <p>REAR BRAKE CONTROL</p>  <p>32</p> |
| <p>BRAKE CALIPER FRONT</p>  <p>33</p> | <p>BRAKE CALIPER REAR</p>  <p>34</p> | <p>LIGHTING SYSTEM</p>  <p>35</p> | <p>INSTRUMENTS / LOCK SYSTEM</p>  <p>36</p> |

| | | | |
|--|--|--|--|
| <p>ACCESSORIES KIT</p>  <p>37</p> | | | |
| | | | |
| |  <p>All information contained is without obligation. KTM-Sportmotorcycle AG particularly reserves the right to modify any equipment, technical specifications, prices, colors, shapes, materials, services, service work, constructions, equipment and the like so as to adapt them to local conditions or to cancel any of the above items, all without previous announcement and without giving reasons. KTM may stop manufacturing certain models without previous notice. KTM shall not be held liable for any deviations of availability and/or ability to deliver, illustrations, descriptions, printing and/or other errors. The illustrated models partly contain extra equipment, which is not applied to standard models.</p> <p>© by KTM-SPORTMOTORCYCLE AG, Mattighofen AUSTRIA; All rights reserved; Reprint, also in extracts, with written allowance of KTMSPORTMOTORCYCLE AG, Mattighofen only.</p> | | |



- ⑤ Ø 5 mm
- ⑥ Ø 6 mm
- ⑧ Ø 8 mm
- ⑩ Ø 10 mm
- ⑫ Ø 12 mm
- ⑭ Ø 14-14,5 mm
- ⑯ Ø 16 mm
- ⑳ Ø 20 mm
- ㉑ Ø 21 mm
- ㉒ Ø 22 mm
- ㉓ Ø 23 mm
- ㉔ Ø 24,5 mm
- ㉘ Ø 28,5 mm
- ㉚ Ø 32 mm
- ㉜ Ø 52 mm

| POS | PARTNUMBER | PARTNAME | PIECE |
|-----|------------|---------------------|-------|
| 5 | 44906890 | WASHER 5X15X2 | X |
| 6 | 40540400 | SHIM 6X12X0,1 | X |
| 6 | 40540401 | SHIM 6X14X0,1 | X |
| 6 | 40540402 | SHIM 6X16X0,1 | X |
| 6 | 40540403 | SHIM 6X18X0,1 | X |
| 6 | 40540404 | SHIM 6X12X0,15 | X |
| 6 | 40540405 | SHIM 6X14X0,15 | X |
| 6 | 40540406 | SHIM 6X16X0,15 | X |
| 6 | 40540407 | SHIM 6X18X0,15 | X |
| 6 | 40540408 | SHIM 6X12X0,2 | X |
| 6 | 40540409 | SHIM 6X14X0,2 | X |
| 6 | 40540410 | SHIM 6X16X0,2 | X |
| 6 | 40540411 | SHIM 6X18X0,2 | X |
| 6 | 48600095 | * SHIM 6X20X0,20 | X |
| 6 | 40540412 | SHIM 6X12X0,25 | X |
| 6 | 40540413 | SHIM 6X14X0,25 | X |
| 6 | 40540414 | SHIM 6X16X0,25 | X |
| 6 | 40540415 | SHIM 6X18X0,25 | X |
| 6 | 40540417 | SHIM 6X8,5X0,10 | X |
| 6 | 40540418 | SHIM 6X9X0,10 | X |
| 6 | 40540419 | SHIM 6X9,5X0,10 | X |
| 6 | 40540423 | SHIM 6X9,5X0,15 | X |
| 6 | 40540425 | SHIM 6X8,5X0,20 | X |
| 6 | 40540426 | SHIM 6X9X0,20 | X |
| 6 | 40540427 | SHIM 6X9,5X0,20 | X |
| 6 | 40540447 | SHIM 6X10X0,3 | X |
| 6 | 40540449 | SHIM 6X9X0,3 | X |
| 6 | 40540450 | SHIM 6X9,5X0,3 | X |
| 6 | 40540494 | SHIM 6X18X0,4 | X |
| 6 | 40540774 | SHIM 6X18X0,1 DELTA | X |
| 6 | 40541383 | SHIM 6X11X0,1 | X |
| 6 | 40541391 | SHIM 6X11X0,3 | X |
| 6 | 40541402 | SHIM 6X11X0,2 | X |
| 6 | 40541403 | SHIM 6X10X0,20 | X |
| 6 | 40541404 | SHIM 6X10X0,1 | X |
| 6 | 40541405 | SHIM 6X10X0,15 | X |
| 6 | 40541406 | SHIM 6X11X0,15 | X |
| 6 | 40541408 | SHIM 6X8,0X0,30 | X |

080000190

C070000190

* NEW PART

X ON DEMAND



- ⑤ Ø 5 mm
- ⑥ Ø 6 mm
- ⑧ Ø 8 mm
- ⑩ Ø 10 mm
- ⑫ Ø 12 mm
- ⑭ Ø 14-14,5 mm
- ⑯ Ø 16 mm
- ⑳ Ø 20 mm
- ㉑ Ø 21 mm
- ㉒ Ø 22 mm
- ㉓ Ø 23 mm
- ㉔ Ø 24,5 mm
- ㉘ Ø 28,5 mm
- ㉚ Ø 32 mm
- ㉜ Ø 52 mm



| POS | PARTNUMBER | PARTNAME | PIECE |
|-----|------------|----------------------|-------|
| 6 | 40541414 | SHIM 6X8,0X0,10 | X |
| 6 | 40541416 | SHIM 6X8X0,3 | X |
| 6 | 40541417 | SHIM 6X11X0,25 | X |
| 6 | 48600102 | * SHIM 6X24X0,25 | X |
| 6 | 48600063 | SHIM 6X24X0,1 | X |
| 6 | 48600064 | SHIM 6X22X0,1 | X |
| 6 | 48600065 | SHIM 6X20X0,1 | X |
| 6 | 48600069 | SHIM 6X20X0,15 | X |
| 6 | 48600100 | SHIM 6X24X0,15 | X |
| 6 | 48600116 | SHIM 6X24X0,1 DELTA | X |
| 6 | 48600139 | SHIM 6X22X0,1 DELTA | X |
| 6 | 48600217 | BACKPLATE 6X10X0,25 | X |
| 6 | 48600325 | SHIM 6X13X0,1 | X |
| 6 | 48600327 | SHIM 6X15X0,1 | X |
| 6 | 48600329 | SHIM 6X17X0,1 | X |
| 6 | 48600331 | SHIM 6X19X0,1 | X |
| 6 | 48600096 | * SHIM 6X20X0,25 | X |
| 6 | 48600097 | SHIM 6X22X0,15 | X |
| 6 | 48600099 | * SHIM 6X22X0,25 | X |
| 6 | 40540448 | BACKPLATE 6X8,5X0,30 | X |
| 6 | 48600479 | SHIM 6X20X0,1 T/3H | X |
| 6 | 48600332 | SHIM 6X21X0,1 | X |
| 6 | 48600333 | SHIM 6X23X0,1 | X |
| 6 | 40541393 | * SHIM 6X12X0,3 | X |
| 8 | 40540477 | SHIM 8X18X0,4 | X |
| 8 | 43570120 | SHIM 8X18X0,10 | X |
| 8 | 44916098 | WASHER 8,4X16X0,8 | X |
| 8 | 44916130 | WASHER 8,2X15X1 | X |
| 8 | 44916180 | WASHER 8,2X11X1 | X |
| 8 | 48600214 | SHIM 8X16X0,1 | X |
| 8 | 48600346 | SHIM 8X11X0,2 | X |
| 8 | 48600215 | CHECK VALVE 8X20X0,1 | X |
| 8 | 48600061 | CHECK VALVE 8X24X0,4 | X |
| 8 | 48600062 | CHECK VALVE 8X24X0,1 | X |
| 8 | 48600216 | CHECK VALVE 8X22X0,1 | X |
| 8 | 48600480 | SHIM 8X10X0,20 | X |
| 8 | 48600555 | SHIM 8X16X0,20 | X |
| 8 | 48600213 | SHIM 8X14X0,10 | X |

080000190

C070000190

* NEW PART

X ON DEMAND



- ⑤ Ø 5 mm
- ⑥ Ø 6 mm
- ⑧ Ø 8 mm
- ⑩ Ø 10 mm
- ⑫ Ø 12 mm
- ⑭ Ø 14-14,5 mm
- ⑯ Ø 16 mm
- ⑰ Ø 20 mm
- ⑱ Ø 21 mm
- ⑳ Ø 22 mm
- ㉑ Ø 23 mm
- ㉒ Ø 24,5 mm
- ㉓ Ø 28,5 mm
- ㉔ Ø 32 mm
- ㉕ Ø 52 mm



| POS | PARTNUMBER | PARTNAME | PIECE |
|-----|------------|------------------------|-------|
| 8 | 48600357 | CHECK VALVE 8X11X0,1 | X |
| 8 | 48600351 | CHECK VALVE 8X12X0,1 | X |
| 8 | 48600607 | SHUTTLE VALVE 8X20X0,4 | X |
| 10 | 36120284 | SHIM 10X16X0,10 | X |
| 10 | 36120298 | SHIM 10X16X0,2 | X |
| 10 | 36120312 | SHIM 10X16X0,30 | X |
| 10 | 36120314 | SHIM 10X18X0,30 | X |
| 10 | 36120325 | SHIM 10X19X0,15 | X |
| 10 | 36120327 | SHIM 10X23X0,15 | X |
| 10 | 36120328 | SHIM 10X25X0,15 | X |
| 10 | 36120329 | SHIM 10X27X0,15 | X |
| 10 | 36120330 | SHIM 10X29X0,15 | X |
| 10 | 36120331 | SHIM 10X31X0,15 | X |
| 10 | 36120332 | SHIM 10X33X0,15 | X |
| 10 | 36120334 | SHIM 10X21X0,20 | X |
| 10 | 36120335 | SHIM 10X23X0,20 | X |
| 10 | 36120336 | SHIM 10X25X0,20 | X |
| 10 | 36120337 | SHIM 10X27X0,20 | X |
| 10 | 36120338 | SHIM 10X29X0,20 | X |
| 10 | 36120339 | SHIM 10X31X0,20 | X |
| 10 | 36120340 | SHIM 10X33X0,20 | X |
| 10 | 36120342 | SHIM 10X21X0,25 | X |
| 10 | 36120343 | SHIM 10X23X0,25 | X |
| 10 | 36120344 | SHIM 10X25X0,25 | X |
| 10 | 36120345 | SHIM 10X27X0,25 | X |
| 10 | 36120349 | SHIM 10X19X0,30 | X |
| 10 | 36120350 | SHIM 10X21X0,30 | X |
| 10 | 40140275 | WASHER 10X35X0,15 | X |
| 10 | 36120346 | * SHIM 10X29X0,25 | X |
| 10 | 50180010 | * SHIM 16X24X0,10 | X |
| 10 | 36120604 | SHIM D10XD22X2,5 | X |
| 12 | 46810490 | SHIM 12X24X0,20 | X |
| 12 | 46810491 | SHIM 12X26X0,20 | X |
| 12 | 46810492 | SHIM 12X28X0,20 | X |
| 12 | 46810493 | SHIM 12X30X0,20 | X |
| 12 | 46810494 | SHIM 12X32X0,20 | X |
| 12 | 46810495 | SHIM 12X34X0,20 | X |
| 12 | 46810496 | SHIM 12X36X0,20 | X |

080000190

C070000190

* NEW PART

X ON DEMAND



- ⑤ Ø 5 mm
- ⑥ Ø 6 mm
- ⑧ Ø 8 mm
- ⑩ Ø 10 mm
- ⑫ Ø 12 mm
- ⑭ Ø 14-14,5 mm
- ⑯ Ø 16 mm
- ⑳ Ø 20 mm
- ㉑ Ø 21 mm
- ㉒ Ø 22 mm
- ㉓ Ø 23 mm
- ㉔ Ø 24,5 mm
- ㉘ Ø 28,5 mm
- ㉚ Ø 32 mm
- ㉜ Ø 52 mm



| POS | PARTNUMBER | PARTNAME | PIECE |
|-----|------------|----------------------|-------|
| 12 | 46810497 | SHIM 12X38X0,20 | X |
| 12 | 46810498 | SHIM 12X40X0,20 | X |
| 12 | 46810499 | SHIM 12X24X0,25 | X |
| 12 | 46810500 | SHIM 12X26X0,25 | X |
| 12 | 46810501 | SHIM 12X28X0,25 | X |
| 12 | 46810502 | SHIM 12X30X0,25 | X |
| 12 | 46810504 | SHIM 12X34X0,25 | X |
| 12 | 46810505 | SHIM 12X36X0,25 | X |
| 12 | 46810507 | SHIM 12X40X0,25 | X |
| 12 | 46810508 | SHIM 12X24X0,30 | X |
| 12 | 46810509 | SHIM 12X26X0,30 | X |
| 12 | 46810510 | SHIM 12X28X0,30 | X |
| 12 | 46810512 | SHIM 12X32X0,30 | X |
| 12 | 46810513 | SHIM 12X34X0,30 | X |
| 12 | 46810518 | SHIM 12X26X0,15 | X |
| 12 | 46810519 | SHIM 12X28X0,15 | X |
| 12 | 46810520 | SHIM 12X30X0,15 | X |
| 12 | 46810521 | SHIM 12X32X0,15 | X |
| 12 | 46810522 | SHIM 12X34X0,15 | X |
| 12 | 46810523 | SHIM 12X36X0,15 | X |
| 12 | 46810524 | SHIM 12X38X0,15 | X |
| 12 | 46810525 | SHIM 12X40X0,15 | X |
| 12 | 46810604 | SHIM 12X20X0,10 | X |
| 12 | 46810606 | SHIM 12X22X0,10 | X |
| 12 | 46810607 | SHIM 12X23X0,10 | X |
| 12 | 46810608 | SHIM 12X24X0,10 | X |
| 12 | 46810610 | SHIM 12X27X0,15 | X |
| 12 | 46810611 | SHIM 12X18X0,15 | X |
| 12 | 46810612 | SHIM 12X19X0,15 | X |
| 12 | 46810615 | SHIM 12X22X0,15 | X |
| 12 | 46810636 | BACKPLATE 12X16X0,30 | X |
| 12 | 46810637 | BACKPLATE 12X17X0,30 | X |
| 12 | 46810638 | BACKPLATE 12X18X0,30 | X |
| 12 | 46810639 | SHIM 12X19X0,30 | X |
| 12 | 46810641 | BACKPLATE 12X21X0,30 | X |
| 12 | 46811582 | BACKPLATE 12X30X0,10 | X |
| 12 | 46810631 | SHIM 12X20X0,25 | X |
| 12 | 46810633 | SHIM 12X22X0,25 | X |

080000190

C070000190

* NEW PART

X ON DEMAND



- ⑤ Ø 5 mm
- ⑥ Ø 6 mm
- ⑧ Ø 8 mm
- ⑩ Ø 10 mm
- ⑫ Ø 12 mm
- ⑭ Ø 14-14,5 mm
- ⑯ Ø 16 mm
- ⑳ Ø 20 mm
- ㉑ Ø 21 mm
- ㉒ Ø 22 mm
- ㉓ Ø 23 mm
- ㉔ Ø 24,5 mm
- ㉘ Ø 28,5 mm
- ㉚ Ø 32 mm
- ㉜ Ø 52 mm



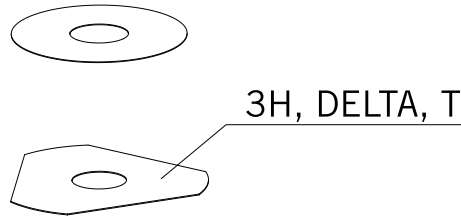
| POS | PARTNUMBER | PARTNAME | PIECE |
|-----|------------|----------------------|-------|
| 12 | 46810624 | * SHIM 12X22X0,20 | X |
| 12 | 46811580 | SHIM 12X32X0,10 | X |
| 12 | 46810503 | SHIM 12X32X0,25 | X |
| 12 | 46810517 | * SHIM 12X24X0,15 | X |
| 12 | 46810640 | SHIM 12X20X0,30 | X |
| 14 | 46811046 | SHIM 14,5X35,4X1,25 | X |
| 16 | 50180006 | BACKPLATE 16X20X0,10 | X |
| 16 | 50180007 | SHIM 16X21X0,10 | X |
| 16 | 50180028 | SHIM 16X21X0,25 | X |
| 16 | 50180210 | WASHER 16X21X1 | X |
| 16 | 50180008 | SHIM 16X22X0,10 | X |
| 16 | 50180022 | SHIM 16X22X0,20 | X |
| 16 | 50180037 | SHIM 16X23X0,30 | X |
| 16 | 50180038 | SHIM 16X24X0,30 | X |
| 16 | 50180032 | SHIM 15X25X0,25 | X |
| 16 | 50180039 | SHIM 16X25X0,30 | X |
| 16 | 50180012 | SHIM 16X26X0,10 | X |
| 16 | 50180019 | SHIM 16X26X0,15 | X |
| 16 | 50180026 | SHIM 16X26X0,20 | X |
| 16 | 50180040 | SHIM 16X26X0,30 | X |
| 16 | 50180041 | SHIM 16X28X0,10 | X |
| 16 | 50180045 | SHIM 16X28X0,15 | X |
| 16 | 50180054 | SHIM 16X28X0,20 | X |
| 16 | 50180063 | SHIM 16X28X0,25 | X |
| 16 | 50180072 | SHIM 16X28X0,30 | X |
| 16 | 50180046 | SHIM 16X30X0,15 | X |
| 16 | 50180055 | SHIM 16X30X0,20 | X |
| 16 | 50180064 | SHIM 16X30X0,25 | X |
| 16 | 50180073 | SHIM 16X30X0,30 | X |
| 16 | 50180047 | SHIM 16X32X0,15 | X |
| 16 | 50180056 | SHIM 16X32X0,20 | X |
| 16 | 50180065 | SHIM 16X32X0,25 | X |
| 16 | 50180074 | SHIM 16X32X0,30 | X |
| 16 | 50180044 | SHIM 16X34X0,10 | X |
| 16 | 50180048 | SHIM 16X34X0,15 | X |
| 16 | 50180057 | SHIM 16X34X0,20 | X |
| 16 | 50180066 | SHIM 16X34X0,25 | X |
| 16 | 50180075 | SHIM 16X34X0,30 | X |

080000190

C070000190

* NEW PART

X ON DEMAND



- ⑤ Ø 5 mm
- ⑥ Ø 6 mm
- ⑧ Ø 8 mm
- ⑩ Ø 10 mm
- ⑫ Ø 12 mm
- ⑭ Ø 14-14,5 mm
- ⑯ Ø 16 mm
- ⑳ Ø 20 mm
- ㉑ Ø 21 mm
- ㉒ Ø 22 mm
- ㉓ Ø 23 mm
- ㉔ Ø 24,5 mm
- ㉘ Ø 28,5 mm
- ㉚ Ø 32 mm
- ㉜ Ø 52 mm

| POS | PARTNUMBER | PARTNAME | PIECE |
|-----|------------|-----------------------------|-------|
| 16 | 50180049 | SHIM 16X36X0,15 | X |
| 16 | 50180058 | SHIM 16X36X0,20 | X |
| 16 | 50180067 | SHIM 16X36X0,25 | X |
| 16 | 50180076 | SHIM 16X36X0,30 | X |
| 16 | 50180050 | SHIM 16X38X0,15 | X |
| 16 | 50180059 | SHIM 16X38X0,20 | X |
| 16 | 50180068 | SHIM 16X38X0,25 | X |
| 16 | 50180077 | SHIM 16X38X0,30 | X |
| 16 | 50180051 | SHIM 16X40X0,15 | X |
| 16 | 50180060 | SHIM 16X40X0,20 | X |
| 16 | 50180069 | SHIM 16X40X0,25 | X |
| 16 | 50180078 | SHIM 16X40X0,30 | X |
| 16 | 50180052 | SHIM 16X42X0,15 | X |
| 16 | 50180061 | SHIM 16X42X0,20 | X |
| 16 | 50180070 | SHIM 16X42X0,25 | X |
| 16 | 50180079 | SHIM 16X42X0,30 | X |
| 16 | 50180053 | SHIM 16X44X0,15 | X |
| 16 | 50180062 | SHIM 16X44X0,20 | X |
| 16 | 50180071 | SHIM 16X44X0,25 | X |
| 16 | 50180080 | SHIM 16X44X0,30 | X |
| 16 | 50180177 | WASHER 16X8,2X0,6 | X |
| 16 | 50180033 | SHIM 16X26X0,25 | X |
| 16 | 50180034 | BACKPLATE 16X20X0,30 | X |
| 16 | 50180035 | BACKPLATE 16X21X0,30 | X |
| 16 | 50180036 | BACKPLATE 16X22X0,30 | X |
| 16 | 50180043 | SHIM | X |
| 16 | 50180024 | * SHIM 16X24X0,20 | X |
| 16 | 50180027 | * SHIM 16X20X0,25 | X |
| 16 | 50180031 | SHIM | X |
| 20 | 48600212 | PRESSURE-RING 20X16,25X0,20 | X |
| 20 | 50180666 | SHIM 20X24X0,30 | X |
| 20 | 50180654 | SHIM 20X36X0,20 | X |
| 20 | 50180655 | SHIM 20X38X0,20 | X |
| 20 | 50180656 | SHIM 20X40X0,20 | X |
| 20 | 50180665 | SHIM 20X40X0,25 | X |
| 20 | 50180662 | SHIM 20X34X0,25 | X |
| 20 | 50180657 | SHIM 20X24X0,25 | X |
| 20 | 50180653 | SHIM 20X34X0,20 | X |

080000190

C070000190

* NEW PART

X ON DEMAND



- ⑤ Ø 5 mm
- ⑥ Ø 6 mm
- ⑧ Ø 8 mm
- ⑩ Ø 10 mm
- ⑫ Ø 12 mm
- ⑭ Ø 14-14,5 mm
- ⑯ Ø 16 mm
- ⑳ Ø 20 mm
- ㉑ Ø 21 mm
- ㉒ Ø 22 mm
- ㉓ Ø 23 mm
- ㉔ Ø 24,5 mm
- ㉘ Ø 28,5 mm
- ㉚ Ø 32 mm
- ㉜ Ø 52 mm



| POS | PARTNUMBER | PARTNAME | PIECE |
|-----|------------|--------------------------|-------|
| 20 | 50180634 | RING 20X22,9X1 | X |
| 21 | 50180209 | WASHER 21X36X0,25 | X |
| 22 | 50180330 | * PRESS. RING 22X18X0,30 | X |
| 23 | 50180635 | SHUTTLE VALVE 23X38X0,25 | X |
| 23 | 50180578 | SHIM D23XD16X2 | X |
| 24 | 40541061 | WASHER 24,5X34X2 | X |
| 28 | 36120469 | SHIM 28,5X14X2 | X |
| 28 | 36120471 | SHIM 28,5X14X5 | X |
| 32 | 48600460 | WASHER 32X42X2,5 | X |
| 32 | 50600065 | SHIM 32X45X2 | X |
| 32 | 46811637 | PRESSURE RING 36X32,25 | X |
| 52 | 50600002 | SHIM 52X59X2,2 | X |

080000190

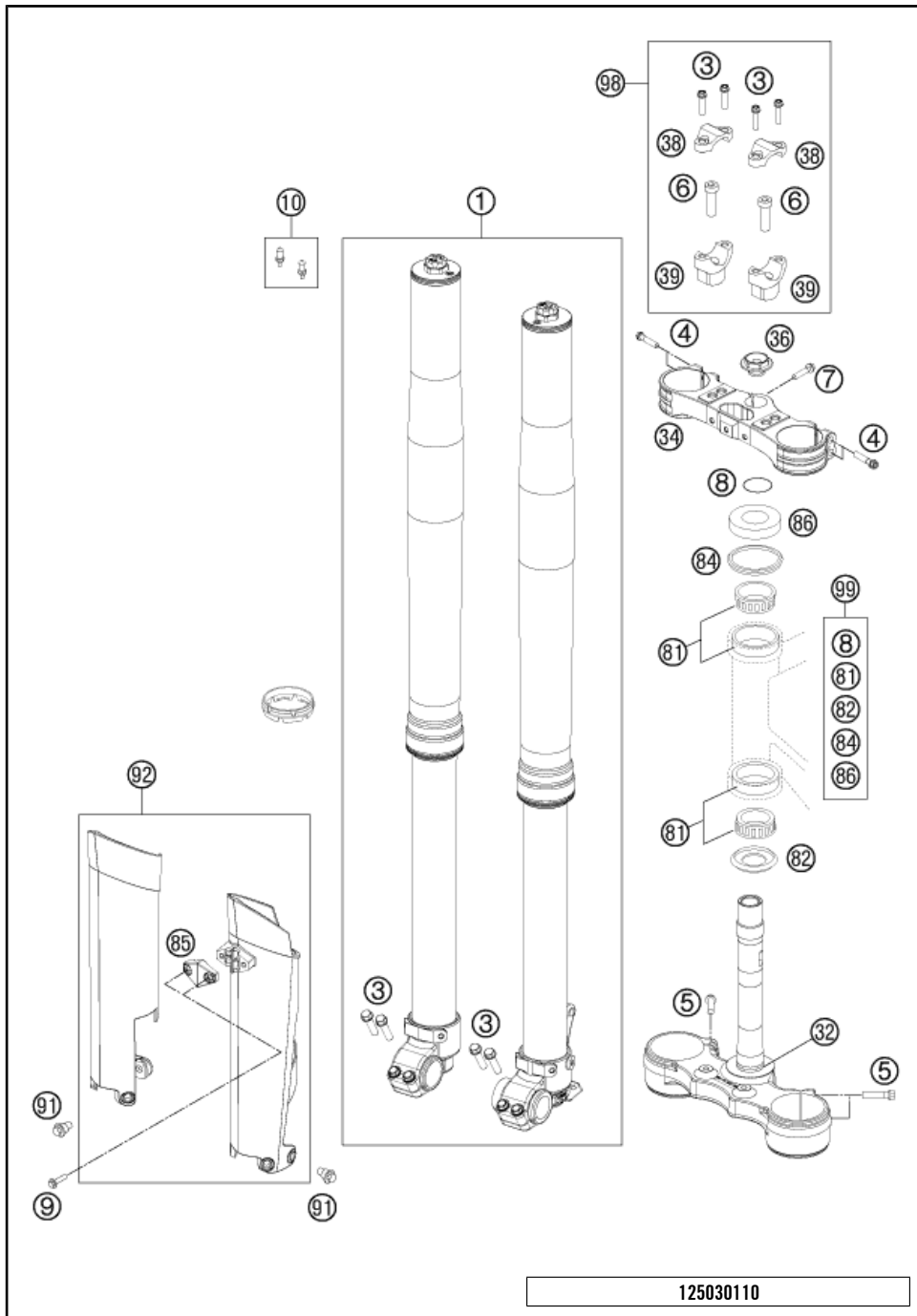
C070000190

* NEW PART

X ON DEMAND

FRONT FORK, TRIPLE CLAMP

350 EXC-F SIX DAYS EU 2012

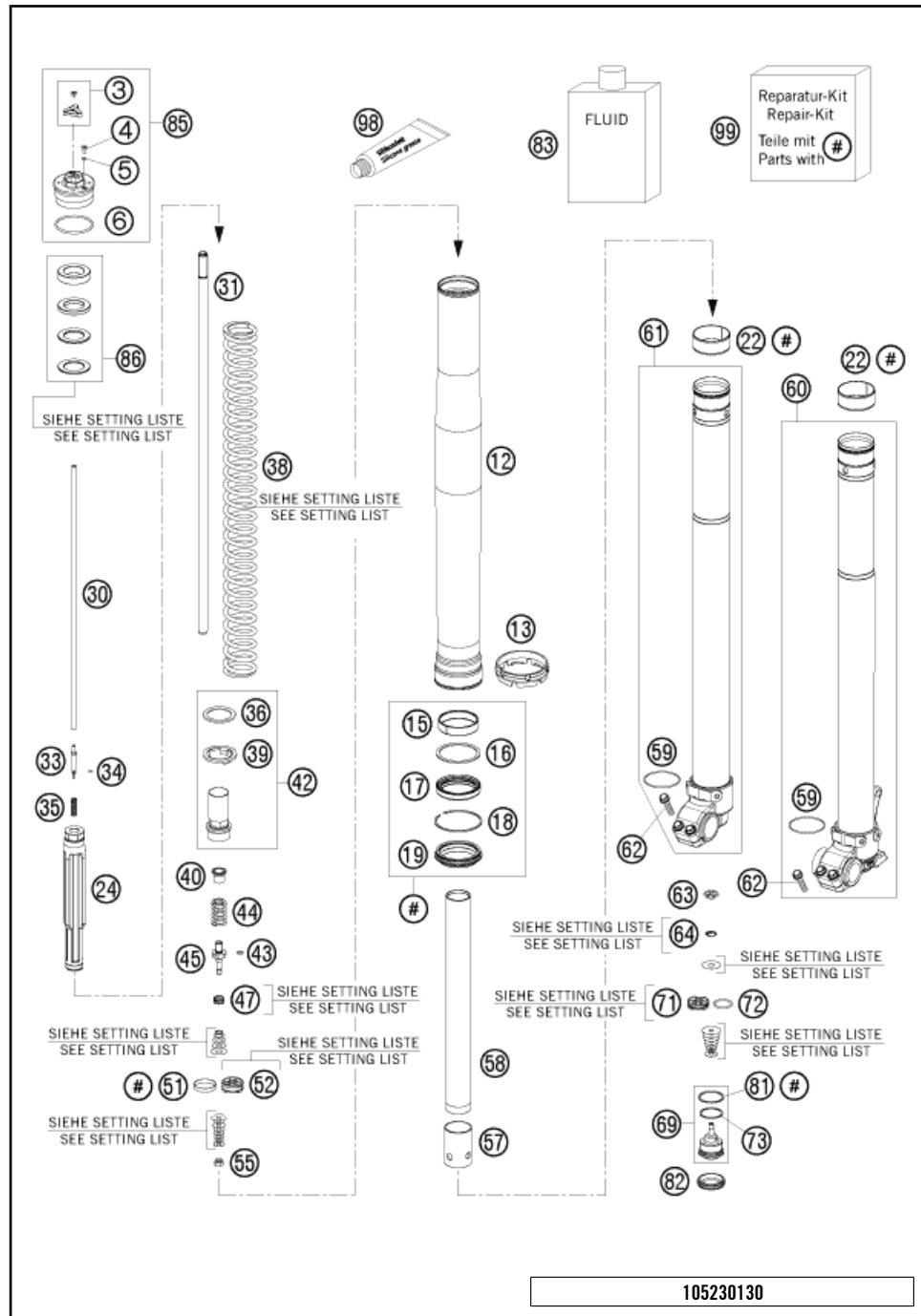


| POS | PARTNUMBER | PARTNAME | PIECE |
|-----|---------------|--------------------------------|-------|
| 1 | 14187L6701 | GABEL WP 125/200 EXC 2012 | 1 |
| 3 | 0025080256 | HH COLLAR SCREW M8X25 TX40 | 8 |
| 4 | 0025080406 | HH COLLAR SCREW M8X40 TX40 | 4 |
| 5 | 0025080356 | HH COLLAR SCREW M8X35 TX40 | 4 |
| 6 | 0032100356S | AH-COLLAR SCREW M10X35 ISA45 | 2 |
| 7 | 0025080256S | HH COLLAR SCREW M8X25 TX40 | 1 |
| 8 | 0770025035 | O-RING 25X3,55 NBR70 05 | 1 |
| 9 | 0017060204 | EJOT PT SCREW K60X20 ALU WS=6 | 2 |
| 10 | SXS08125610 | BLEEDER VALVE SET | 1 |
| 32 | 7800103202004 | BOT.TRIPLE CLAMP CPL. 20MM OR. | 1 |
| 34 | 7720103402004 | TOP TRIPLE CLAMP X=20MM ORANGE | 1 |
| 36 | 54801036000 | STEER.HEAD SCREW M20X1,5 WS=27 | 1 |
| 38 | 77201038000 | HANDLEBAR CLAMP 28MM | 2 |
| 39 | 59401039032 | HANDLEB.SUPP. D=28MM H=32MM 05 | x |
| 39 | 59401039037 | HANDLEB.SUPP. D=28MM H=37MM 05 | 2 |
| 39 | 59401039042 | HANDLEB.SUPP. D=28MM H=42MM 05 | x |
| 81 | 54201081100 | TAPERED ROLLER BEARING CPL. 06 | 2 |
| 82 | 54601084100 | O-RING SUPPORT W. SEALING LIP | 1 |
| 84 | 54601184000 | STEERING HEAD GASKET TOP | 1 |
| 85 | 7800108500028 | CLAMP F. SPEED. CABLE D=6MM 08 | 1 |
| 86 | 78101086000 | STEERING HEAD COVER | 1 |
| 91 | 59001092050 | SPECIAL SCREW M6X12,5 WS=8 | 6 |
| 92 | 7800109410028 | FORK PROTECT. L/S+R/S WHITE 09 | 1 |
| 98 | 00050000921 | HANDLEBAR SUPPORT KIT D28/H37 | x |
| 99 | 00050000930 | STEERING HEAD REP. KIT 06-13 | x |

125030110

C127750113

* NEW PART X ON DEMAND



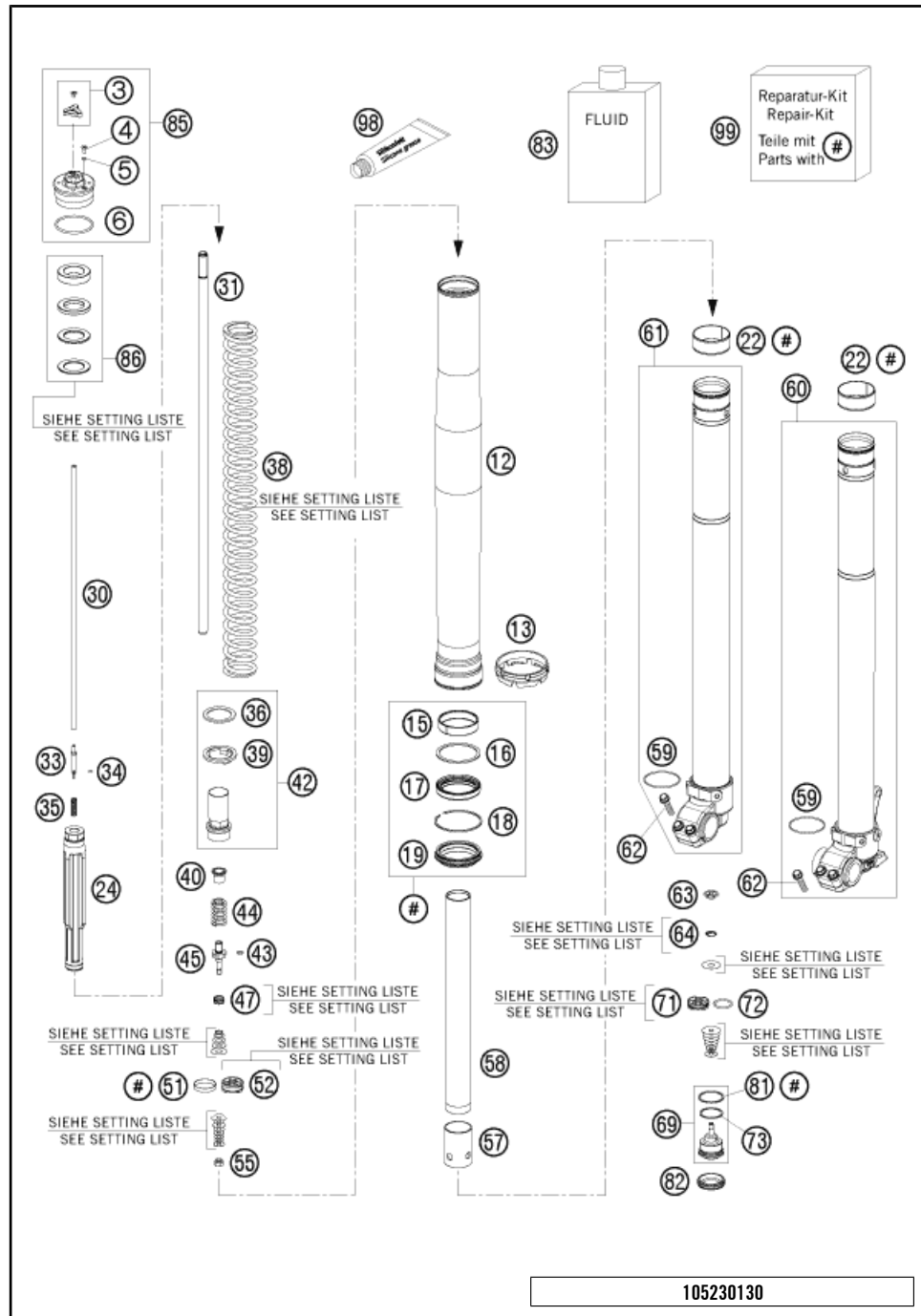
105230130

| POS | PARTNUMBER | PARTNAME | PIECE |
|-----|------------|--------------------------------|-------|
| 3 | 48600812S | ADJUSTING KNOB + SCREW | 2 |
| 4 | 48600481 | VENT SCREW M4X8 | 2 |
| 5 | 48600046 | O-RING NBR 3X1,5 | 2 |
| 6 | 46810340 | O-RING NBR 45X2 | 1 |
| 12 | 48600736 | OUTER TUBE L577 D54/60MM 2L | 2 |
| 13 | 48600698 | FORK PROTECTION RING 08 | 2 |
| 15 | 48601009 | GUIDING BUSH 48X52X12 R11 | 2 |
| 16 | 48600013 | SUPPORT RING 50 X 57,6 X 1,5 | 2 |
| 17 | 48600969 | OIL SEAL RING D48 SKF | 2 |
| 18 | 48600070 | LOCK WASHER SB58 | 2 |
| 19 | 48600968 | DUST SEAL DL D48 SKF | 2 |
| 22 | 48601008 | GUIDING BUSH 47X49X20 R11 | 2 |
| 24 | 48600557S | HYDR.STOP L=200 D=31,9 CPL. 07 | 2 |
| 30 | 48600559 | ADJUSTING TUBE L=520 07 | 2 |
| 31 | 48600568 | PISTON ROD D=12 L=554 ALU | 2 |
| 33 | 48600277 | ADJUSTER NEEDLE 07 | 2 |
| 34 | 48600298 | O-RING 2X1,5 NBR | 2 |
| 35 | 48600444 | REBOUND SPRING C=4N/MM | 2 |
| 36 | 48600113 | WASHER 32X42X2,5 | 2 |
| 38 | 91410012S | SPRING 3,8N/MM SET D=4,9MM | x |
| 38 | 91410013S | SPRING 4,0N/MM SET D=5,0MM | x |
| 38 | 91410014S | SPRING 4,2N/MM SET D=5,0MM | x |
| 38 | 91410015S | SPRING 4,4N/MM SET D=5,1MM | x |
| 38 | 91410016S | SPRING 4,6N/MM SET | x |
| 39 | 48600021 | INTERM. RING 26,2 X 43 X 3 | 2 |
| 40 | 48600525 | GUIDING BUSH REBOUND SPRING | 2 |
| 42 | 48600830S | SCREW SLEEVE M27X0,8 | 2 |
| 43 | 48600299 | O-RING 6X1,2 NBR | 2 |
| 44 | 48600511 | REBOUND SPRING L=32 C=17 | 2 |
| 45 | 48600576 | PISTON ROD REBOUND | 2 |
| 47 | 48600382 | SHUTTLE VALVE SPRING C=0,4 | 2 |
| 51 | 48600455 | PISTON RING 5X1X68 | 2 |
| 52 | 48600575 | PISTON REBOUND SX 2007 | 2 |
| 55 | 40540486 | NUT M6X0,5 REBOUND | 2 |
| 57 | 48600764 | ADAPTER SLEEVE D23/D28 | 2 |
| 58 | 48600763 | PIPE D23/L350 09 | 2 |
| 59 | 48600048 | O-RING NBR 46 X 2 | 2 |
| 60 | 48600860SA | AXLE CLAMP L/S + TUBE CPL. | 1 |

C127740130

* NEW PART

X ON DEMAND



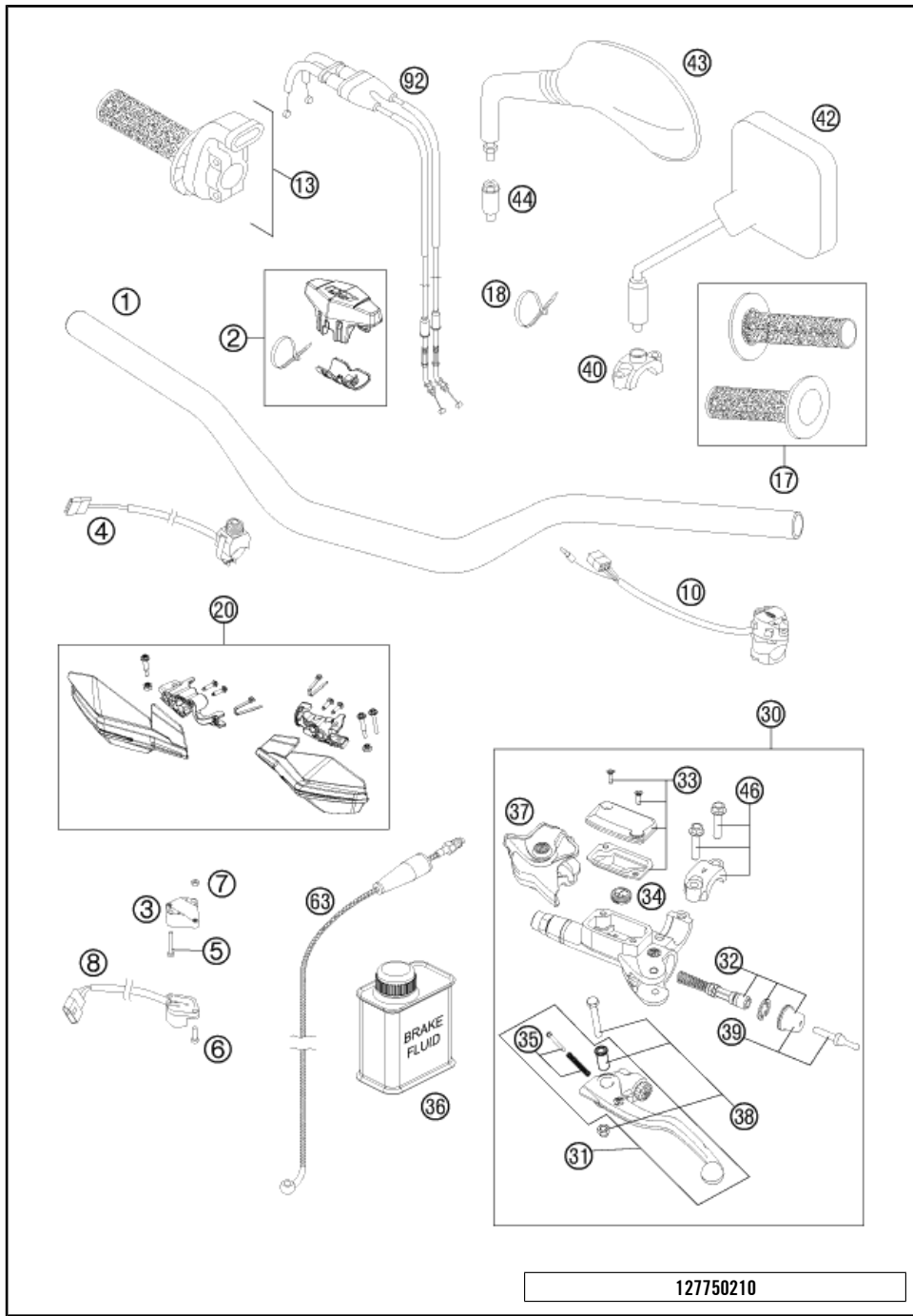
105230130

| POS | PARTNUMBER | PARTNAME | PIECE |
|-----|------------|-------------------------------|-------|
| 61 | 48600861S1 | AXLE CLAMP R/S + TUBE CPL. 09 | 1 |
| 62 | 0025080256 | HH COLLAR SCREW M8X25 TX40 | 4 |
| 63 | 48600163 | CHECK VALVE NUT M6X0,5 D=2 | 2 |
| 64 | 48600202 | SPRING CHECK VALVE D=0,7 | 2 |
| 69 | 48600586S | TAP COMPRESSION CPL. 07 | 2 |
| 71 | 48600047 | PISTON COMPRESSION D=27,9 | 2 |
| 72 | 46811499 | O-RING NBR 21X2 | 2 |
| 73 | 35480320 | O-RING NBR 24X2 | 2 |
| 81 | 48600004 | COPPER WASHER 29,5X33,5X1 | 2 |
| 82 | 48600141 | RUBBER CAP D=35MM | 2 |
| 83 | 48600765S1 | % FORK OIL SAE5 5L 2008 | 1 |
| 85 | 48600431S2 | PRE-LOAD ADJ. M51X1,5 09 | 2 |
| 86 | 48600038 | SPACER 42X26,5X10 | x |
| 86 | 48600037 | SPACER 42X26,5X5 | x |
| 86 | 48600036 | SPACER 42X26,5X2,5 | x |
| 86 | 48600053 | SPACER 42X26,5X1,5 | x |
| 98 | T511 | SILICONE GREASE F. DUST STRI | 1 |
| 99 | R14020 | SXS SERVICE KIT | 1 |

C127740130

* NEW PART

X ON DEMAND



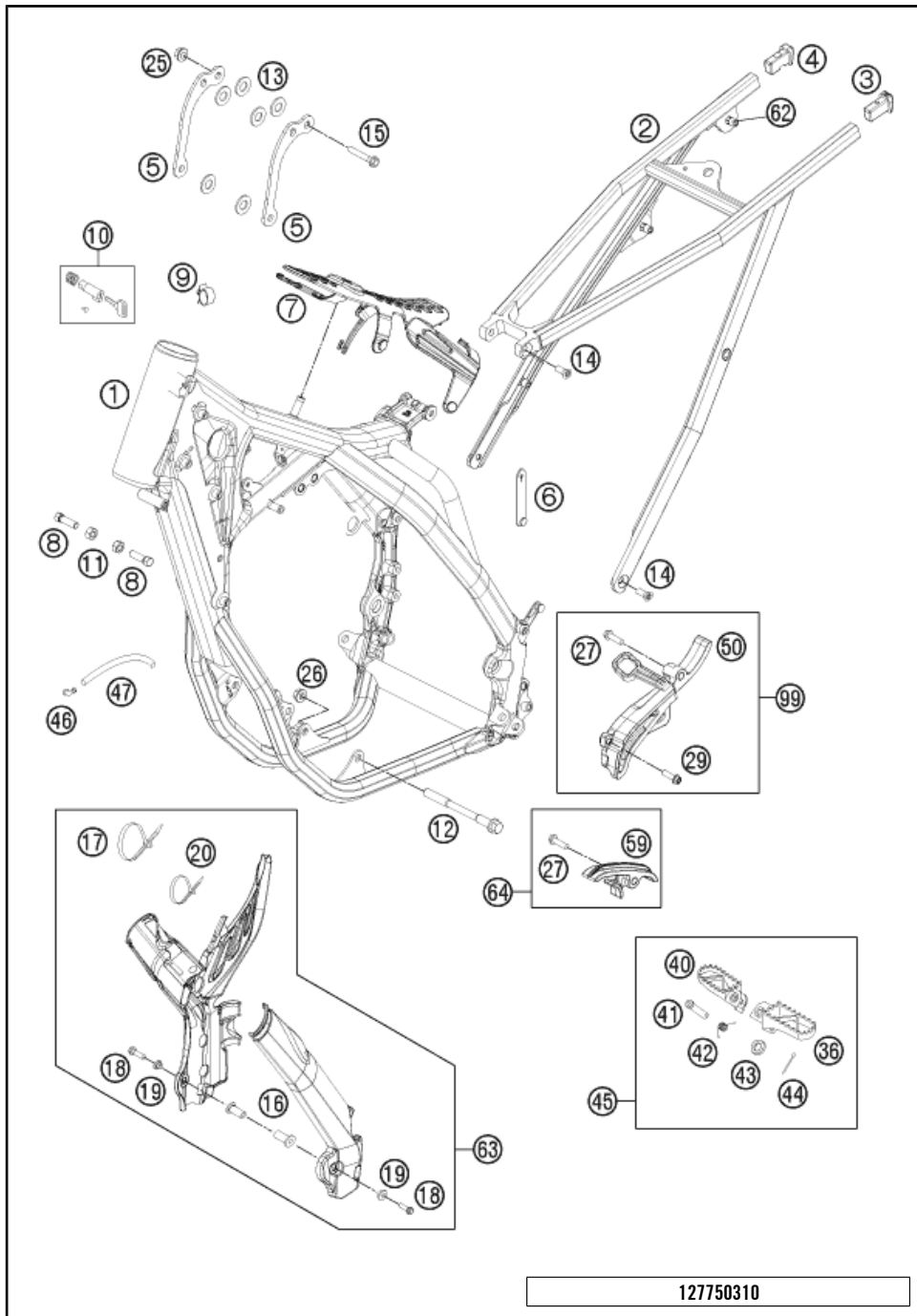
| POS | PARTNUMBER | PARTNAME | PIECE |
|-----|---------------|--------------------------------|-------|
| 1 | 5480200130004 | HANDLEBAR D=28 MM SX/EXC OR. | 1 |
| 2 | 77202002144 | BAR PAD CPL. | 1 |
| 3 | 13011070060 | ADAPTER FOR FLASHER SWITCH '98 | 1 |
| 4 | 59411074000 | STARTER CONTROL 04 | 1 |
| 5 | 0084040223 | CYL.HEAD SCREW DIN0084-M 4X22A | 2 |
| 6 | 0985040203 | FLAT HEAD SCREW DIN7985-M 4X20 | 2 |
| 7 | 0934040003 | HEXAGON NUT DIN0934-M 4 | 2 |
| 8 | 50311029000 | FLASHER SWITCH CEV '98 | 1 |
| 10 | 50311070000 | H.LIGHT SWITCH CEV 2/4TAKT '98 | 1 |
| 13 | 77002010100 | THROTTLE GRIP CPL. 4-ST. 09 | 1 |
| 17 | 54802021200 | GRIP-SET GRAY/ORANGE 09 | 1 |
| 18 | 44011076140 | CABLE TIE 140/2,5MM BLACK | x |
| 18 | 44011076200 | CABLE TIE 200/3,6MM BLACK | x |
| 20 | 7810297900004 | % HANDGUARDS CPL.LE+RI ORANGE | 1 |
| 30 | 54802030044 | MASTER CYLINDER CPL. 06 | 1 |
| 31 | 54802031000 | CLUTCH LEVER CPL. BREMBO 06 | 1 |
| 32 | 54802032000 | REP. KIT PISTON 06 | 1 |
| 33 | 54802003000 | COVER HYD. CLUTCH CPL. | 1 |
| 34 | 54802051000 | VALVE | 1 |
| 35 | 54802052000 | BOLT KPL. | 1 |
| 36 | 00062030000 | BRAKE FLUID DOT5.1 0,25L | 1 |
| 37 | 54802037000 | PROTECTION CAP 06 | 1 |
| 38 | 54802038100 | LEVER SCREW CPL. 06 | 1 |
| 39 | 54802046000 | PUSH ROD CPL. | 1 |
| 40 | 58012040150 | CLAMP FOR MIRROR '94 | 2 |
| 42 | 58012040000 | REAR MIRROR L/S | 1 |
| 42 | 58012140000 | REAR MIRROR R/S | 1 |
| 43 | 58412040000 | MIRROR L/S 98 | x |
| 43 | 58412041000 | MIRROR R/S 98 | x |
| 44 | 58412040050 | SUPPORT FOR MIRROR LC4 '98 | 2 |
| 46 | 54802005100 | CLAMP CPL. 06 | 1 |
| 63 | 54832063000 | CLUTCH PIPE 06 | 1 |
| 92 | 77002091000 | THROTTLE CABLE 250 SXF 2005 | 1 |

127750210

C127750212

* NEW PART

X ON DEMAND

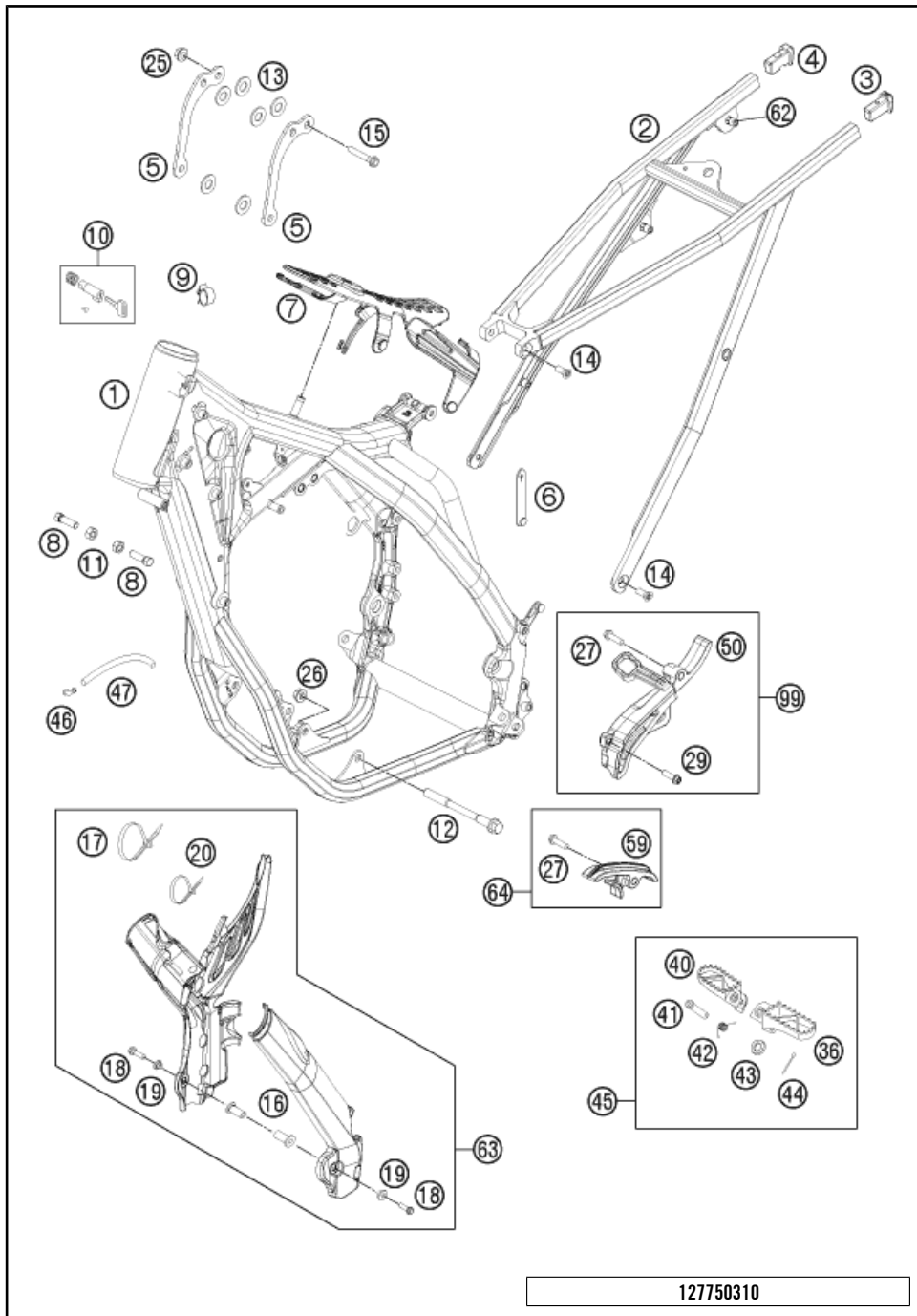


| POS | PARTNUMBER | PARTNAME | PIECE |
|-----|---------------|--------------------------------|-------|
| 1 | 7750300110004 | FRAME ORANGE "775L1" | 1 |
| 2 | 77203002000 | SUB FRAME SX | 1 |
| 3 | 78003002010 | SUB FRAME APPLICATION LEFT 08 | 1 |
| 4 | 78003002020 | SUB FRAME APPLICATION RIGHT 08 | 1 |
| 5 | 77503013000 | REINFORCING 350 EXC-F 2012 | 2 |
| 6 | 60011093075 | RUBBER CABLE TIE 75MM 03 | 1 |
| 7 | 77207012000 | TANK REST RUBBER | 1 |
| 8 | 59001037000 | SPECIAL SCREW M8X26 WS=10 | 2 |
| 9 | 57013072100 | WIRING HOLDER 16MM | 1 |
| 10 | 78003035000 | STEERING HEAD LOCK 08 | 1 |
| 11 | 0934080003 | HEXAGON NUT DIN0934-M 8 | 2 |
| 12 | 77203014000 | ENGINE BRAC.SCR. M10X115 | 2 |
| 13 | 77003013050 | WASHER 8,5X18X1 INOX | 6 |
| 14 | 0019080206S | FLAT HEAD SCREW M. ISA45 M8X20 | 4 |
| 15 | 56530079000 | HH COLLAR SCREW M 8X44 WS13 | 3 |
| 16 | 54803092050 | BLIND PLUG-IN NUT M5 WN 22A 03 | 2 |
| 17 | 44011076305 | CABLE TIE 300/4,8MM BLACK | 3 |
| 18 | 0738050250 | COU.SUNK SCR. AH ISO7380 M5X25 | 2 |
| 19 | 54803092060 | BUSH F. FRAME PROTECTION 03 | 2 |
| 20 | 44011076140 | CABLE TIE 140/2,5MM BLACK | 1 |
| 25 | 54310086200 | SELF LOCKING NUT M8 10.9 | 3 |
| 26 | 54310086100 | SELF LOCKING NUT M10 CU WS=14 | 2 |
| 27 | 0025080306 | HH COLLAR SCREW M8X30 TX40 | 2 |
| 29 | 0025060256 | HH COLLAR SCREW M6X25 TX30 | 1 |
| 36 | 78003040050 | FOOTREST L/S 08 | 1 |
| 40 | 78003041050 | FOOTREST R/S 08 | 1 |
| 41 | 54803044000 | BOLT FOR FOOT PED 03 | 2 |
| 42 | 54603041000 | FOOTREST SPRING L/S & R/S | 2 |
| 43 | 0125100003 | WASHER DIN0125-A10,5 | 2 |
| 44 | 0094032253 | PIN DIN0094-3,2X25 STEEL | 2 |
| 45 | 78003040033 | FOOTREST L/S + R/S CPL. 09 | 1 |
| 46 | 50303089000 | ANGLE PIECE '97 | 2 |
| 47 | 55007016001 | PVC-HOSE 7X10 PER METER | 0 |
| 50 | 77203096000 | SPROCKET COVER 350 SX-F | 1 |
| 59 | 77203053000 | CHAIN SLIDING PIECE BELOW | 1 |
| 62 | 77303139000 | BLIND RIVET NUT EM6-60LF/HX | x |
| 63 | 77203094000 | PLASTIC FRAME PROTECTION SET | 1 |

127750310

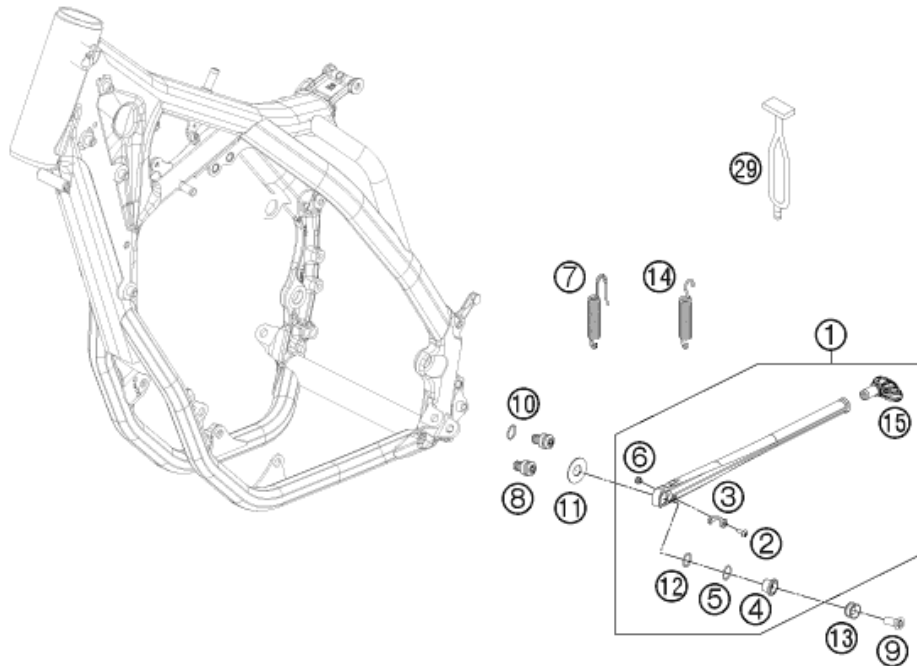
C127750312

* NEW PART X ON DEMAND



| POS | PARTNUMBER | PARTNAME | PIECE |
|-----|-------------|--------------------------------|-------|
| 64 | 77203053010 | CHAIN SLIDING KIT BELOW CPL.11 | 1 |
| 99 | 77203096010 | SPROCKET COVER KIT | X |

127750310 C127750312 * NEW PART X ON DEMAND



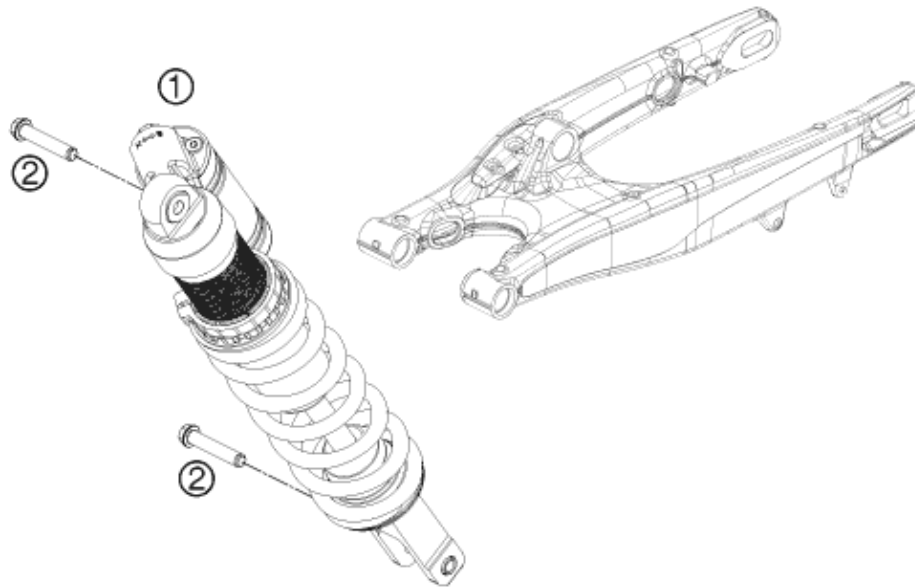
| POS | PARTNUMBER | PARTNAME | PIECE |
|-----|-------------|--------------------------------|-------|
| 1 | 78003023044 | SIDE STAND CPL. 08 | 1 |
| 2 | 58605083014 | SCREW M5X14 TORX 25 07 | 1 |
| 3 | 78003023090 | SPRING BRACKET F. SIDE ST. 08 | 1 |
| 4 | 78003023080 | SIDE STAND BUSHING EXC USA 08 | 1 |
| 5 | 0770180020 | O-RING 18,00X2,00 NBR 70 | 1 |
| 6 | 78003023070 | SPACER BUSH. SPRING BRACKET | 1 |
| 7 | 81203024000 | SIDE STAND SPRING EYE MOVEABLE | 1 |
| 8 | 78003023182 | SIDE STAND STOP SCREW M10X12 | 2 |
| 9 | 0019080266S | COUNTER-SUNK SCREW ISA45 M8X26 | 1 |
| 9 | 0019080206S | FLAT HEAD SCREW M. ISA45 M8X20 | 1 |
| 10 | 0770120020 | O-RING 12,00X2,00 NBR 70 | 1 |
| 11 | 78003023083 | WASHER F. SIDE STAND 12,2X29,5 | 1 |
| 12 | 0770125015 | O-RING 12,5X1,5 NBR | 1 |
| 13 | 78003023081 | SIDE STAND BUSHING EXC-EU 08 | 1 |
| 14 | 78003024100 | SIDE STAND SPRING 08 | 1 |
| 15 | 78003023055 | % STAND BASE | 1 |
| 29 | 50303018000 | RUBBER L=145MM | 1 |

127750360

C127750360

* NEW PART

X ON DEMAND



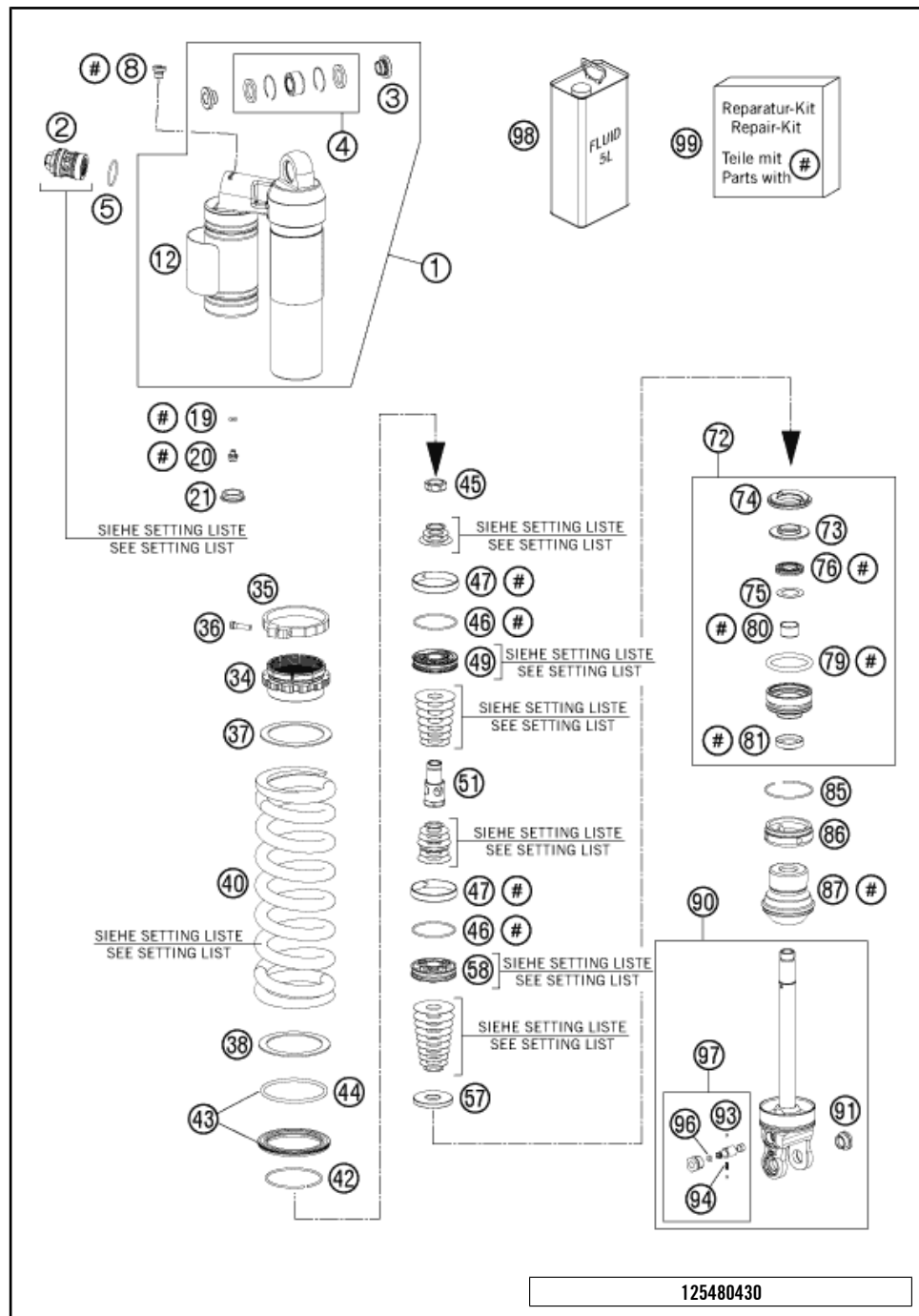
| POS | PARTNUMBER | PARTNAME | PIECE |
|-----|-------------|-------------------------------|-------|
| 1 | 12187L6701 | MONOSH. 5018 PDS 350 EXC/XC-W | 1 |
| 2 | 0025120506S | HH COLLAR SCREW M12X50 TX45 | 2 |

127750410

C127750410

* NEW PART

X ON DEMAND

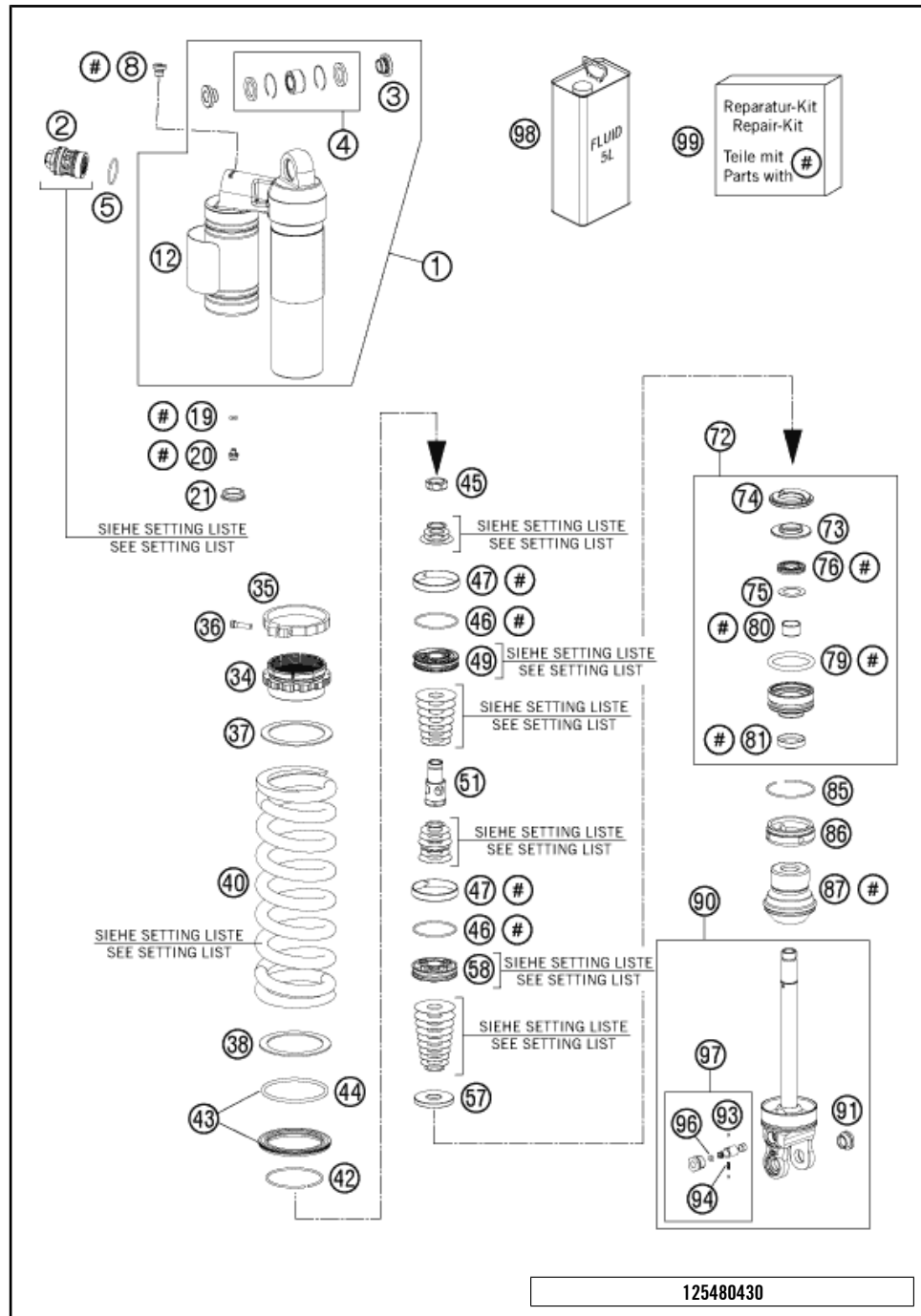


| POS | PARTNUMBER | PARTNAME | PIECE |
|-----|-------------|--------------------------------|-------|
| 1 | 50180833SA2 | MONOSHOCK UPPER PART CPL. | 1 |
| 2 | 50180213S10 | DCC-COMPR.DAMP.CONTROL CPL. 07 | 1 |
| 3 | 46180007 | ADAPTOR BUSH KGW 12X24 | 2 |
| 4 | R12012 | REP. KIT BEAR./SEAL UP. 07 | 1 |
| 5 | 50180217 | O-RING 27X1,5 VITON | 1 |
| 8 | 50180095 | BLEED PLUG R 1/8 | 1 |
| 12 | 52000085 | WP CAUTION (PDS KTM) | 1 |
| 19 | 46810893 | O-RING NBR 5,28X1,78 | 1 |
| 20 | 36120151 | SCREW PLUG M5X6 | 1 |
| 21 | 46811208 | RUBBER CAP "DO NOT OPEN" | 1 |
| 34 | 50180938 | ADJUSTING NUT PLASTIC | 1 |
| 35 | 50180937 | TENSIONING RING D64 H10 | 1 |
| 36 | 14460042 | %ALLENHEAD SCREW M5 L=20 STAIN | 1 |
| 37 | 50180965 | SPACER RING SPRING 61,3X78X3 | 1 |
| 38 | 50180114 | SPACER RING FOR SPRING | 1 |
| 40 | 91210053S | SPRING 250 63N/MM ORANGE | x |
| 40 | 91210054S | SPRING 250 66N/MM ORANGE | x |
| 40 | 91210068S | SPRING 250 69N/MM ORANGE | x |
| 40 | 91210069S | SPRING 250 72N/MM ORANGE | x |
| 40 | 91210070S | SPRING 250 76N/MM | x |
| 42 | 50180273 | CIRCLIP 58,2X2 | 1 |
| 43 | 50180463S | SPRING RET. D=80 W. O-RING 05 | 1 |
| 44 | 50180352 | O-RING VITON 66,27X3,53 | 1 |
| 45 | 50180627 | PISTON ROD NUT M20X1 | 1 |
| 46 | 50180099 | O-RING VITON 44,17X1,78 | 2 |
| 47 | 50180135 | PISTON RING 50-8 | 2 |
| 49 | 50180675 | PISTON D=20 | 1 |
| 51 | 50180973 | SUPPORT D20 M20X1 L51,3 PDS | 1 |
| 57 | 50180970 | REBOUND DISC D43 | 1 |
| 58 | 50180197 | PISTON 6+6X7/4,5 | 1 |
| 72 | 50180603S | ADAPTOR CPL. D=50 H=28 08 | 1 |
| 73 | 50180113 | STEEL DISC 18X,5X43,7X6 | 1 |
| 74 | 50180107 | REBOUND RUBBER | 1 |
| 75 | 50180604 | SHIM D29,75 X D19 X T0,4 08 | 1 |
| 76 | 50180605S | SEAL D18X30X5 08 | 1 |
| 79 | 50180103 | O-RING 41X5 | 1 |
| 80 | 46180119 | DU-BUSH 18X20X12 | 1 |
| 81 | 50180606 | DUST SEAL 1828 08 | 1 |

125480430

C127740430

* NEW PART X ON DEMAND

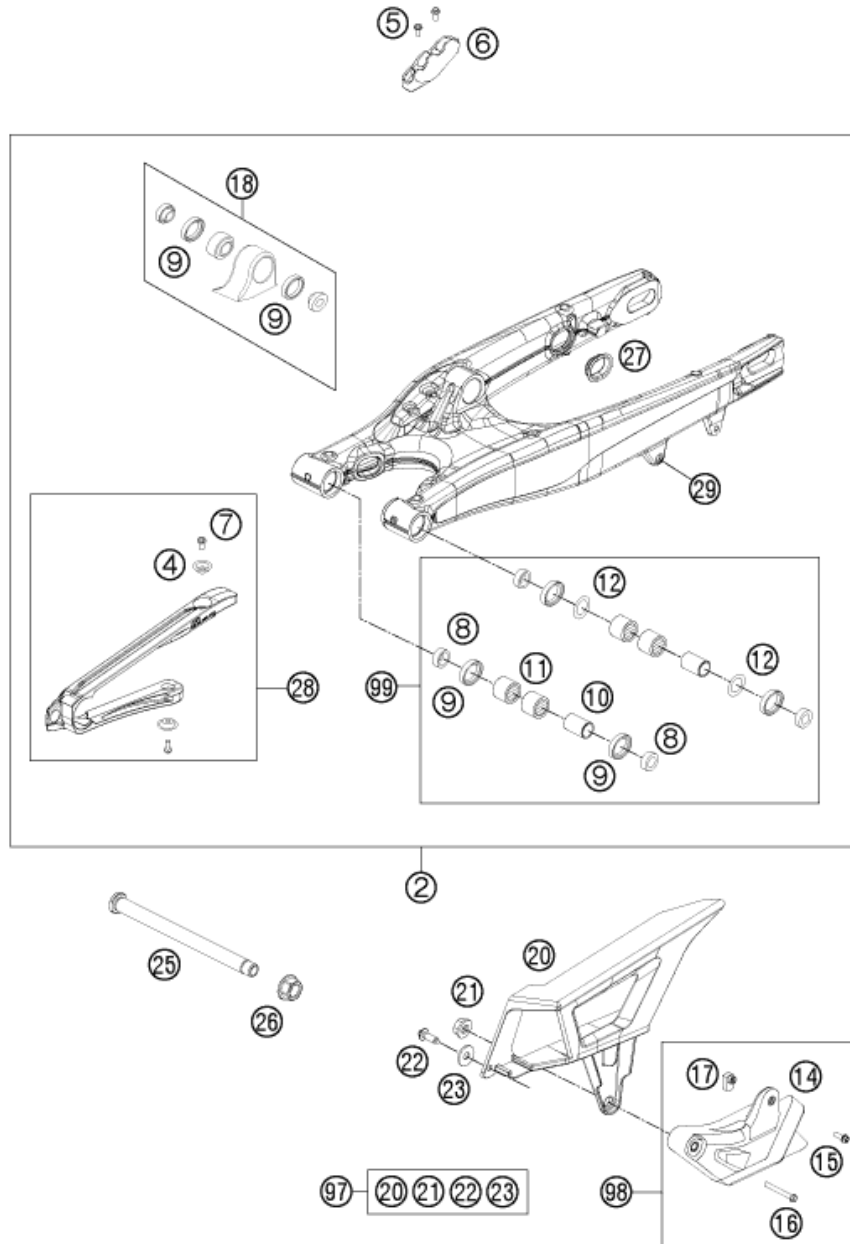


| POS | PARTNUMBER | PARTNAME | PIECE |
|-----|-------------|--------------------------------|-------|
| 85 | 50180126 | CIRCLIP 53X1,75 | 1 |
| 86 | 50180626 | RESERVOIR CAP D=50 H=10 09 | 1 |
| 87 | 50180600 | BUMP RUBBER D58 D17 H59 2008 | 1 |
| 90 | 50180512SA4 | SHOCK ABS. LOWER PART CPL. 12 | 1 |
| 91 | 50180105 | THREADED BUSH M12 PDS | 1 |
| 93 | 40540603 | STEEL BALL D=3MM | 2 |
| 94 | 48600028 | SPRING D=2,9 L=7,9 | 1 |
| 96 | 50180222 | O-RING NBR 4X1,5 | 1 |
| 97 | 50180434S | ADJUSTING SCREW REBOUND TRAVEL | 1 |
| 98 | 50180751S1 | SHOCK ABSORBER FLUID 5 LT | 1 |
| 99 | R12015 | REPAIR KIT 5018 PDS 08 | 1 |

C127740430

* NEW PART

X ON DEMAND



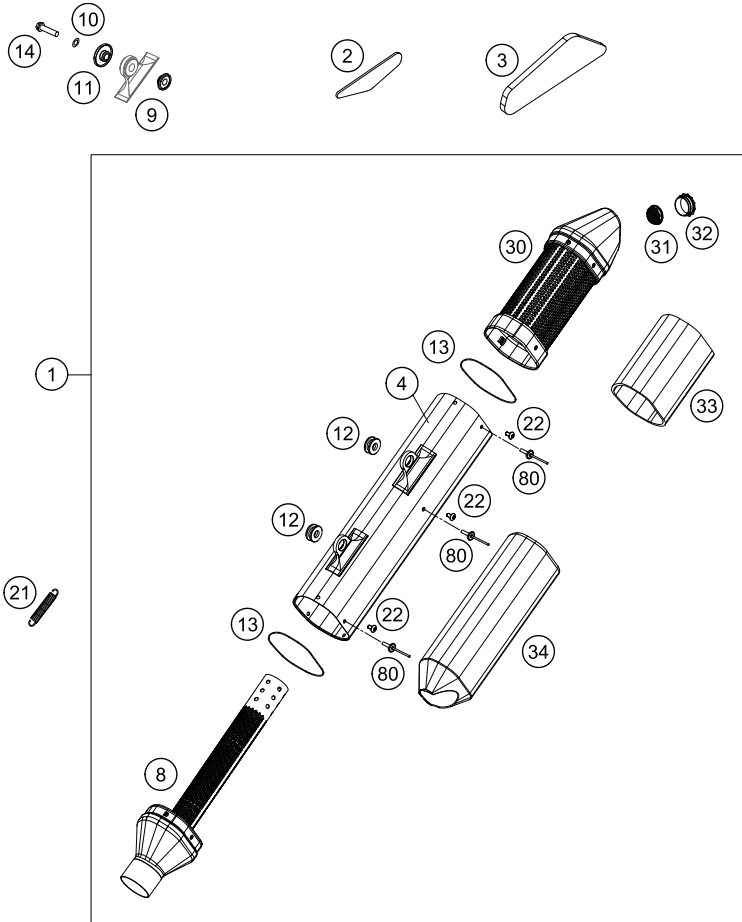
| POS | PARTNUMBER | PARTNAME | PIECE |
|-----|-------------|--------------------------------|-------|
| 2 | 51504030044 | SWING ARM CPL. PDS 2011 | 1 |
| 4 | 77304066050 | BUSHING F. CHAIN SLIDING PR.07 | 2 |
| 5 | 0009050106 | EJOT SPIRAL SCREW SF M5X10-K | 2 |
| 6 | 77313047000 | BRAKE HOSE GUIDE LOWER 07 | 1 |
| 7 | 59009062013 | SPECIAL SCREW M6X13 WS=8 10.9 | 2 |
| 8 | 54804034000 | BUCKET F. SHAFT SEAL RING 03 | 4 |
| 9 | 0760253270 | SHAFT SEAL RING 25X32X7 | 6 |
| 10 | 54804032000 | BUSHING SLEEVE F. SWING ARM 03 | 2 |
| 11 | 58033097000 | NEEDLE BEARING HK 2216 | 4 |
| 12 | 54603036000 | STOP DISK 22,2X31,7X1 | 2 |
| 14 | 78004070100 | CHAIN GUIDE CPL. | 1 |
| 15 | 59009062019 | SPECIAL SCREW M6X19 WS=8 10.9 | 1 |
| 16 | 0025060506 | HH COLLAR SCREW M6X50 TX30 | 1 |
| 17 | 77304070030 | INSERTION NUT F. CHAIN GUIDE | 1 |
| 18 | 50304090144 | PIVOT BEARING+BUSH. PDS '11 | 1 |
| 20 | 78104060000 | CHAINGUARD | 1 |
| 21 | 56509064100 | SELF LOCKING NUT M6 10.9 | 1 |
| 22 | 0017060203 | EJOT PT SCREW K6X20 WS=6 | 1 |
| 23 | 0021060003 | WASHER DIN9021-A 6,4 | 1 |
| 25 | 77304037000 | SWINGARM BOLT M16X1,5 07 | 1 |
| 26 | 54804038000 | SELF LOCK.NUT M16X1,5 WS=19 03 | 1 |
| 27 | 77204041000 | CLOSING COVER | 4 |
| 28 | 51504066044 | CHAIN SLIDING GUARD KIT 11-12 | 1 |
| 29 | 54603055051 | PRESS IN NUT M6 STEEL ZINC | 1 |
| 97 | 78104060010 | CHAIN PROTECTION KIT EXC 12-13 | x |
| 98 | 77304070310 | CHAIN GUIDE KIT REAR 08-12 | x |
| 99 | 54804230210 | SWINGARM REPAIR KIT 05-12 | x |

127750490

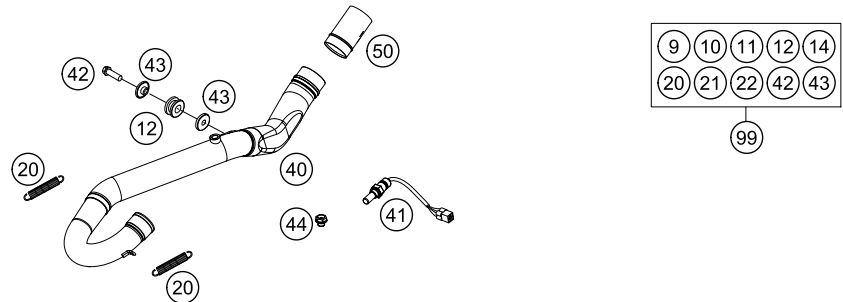
C127750490

* NEW PART

X ON DEMAND



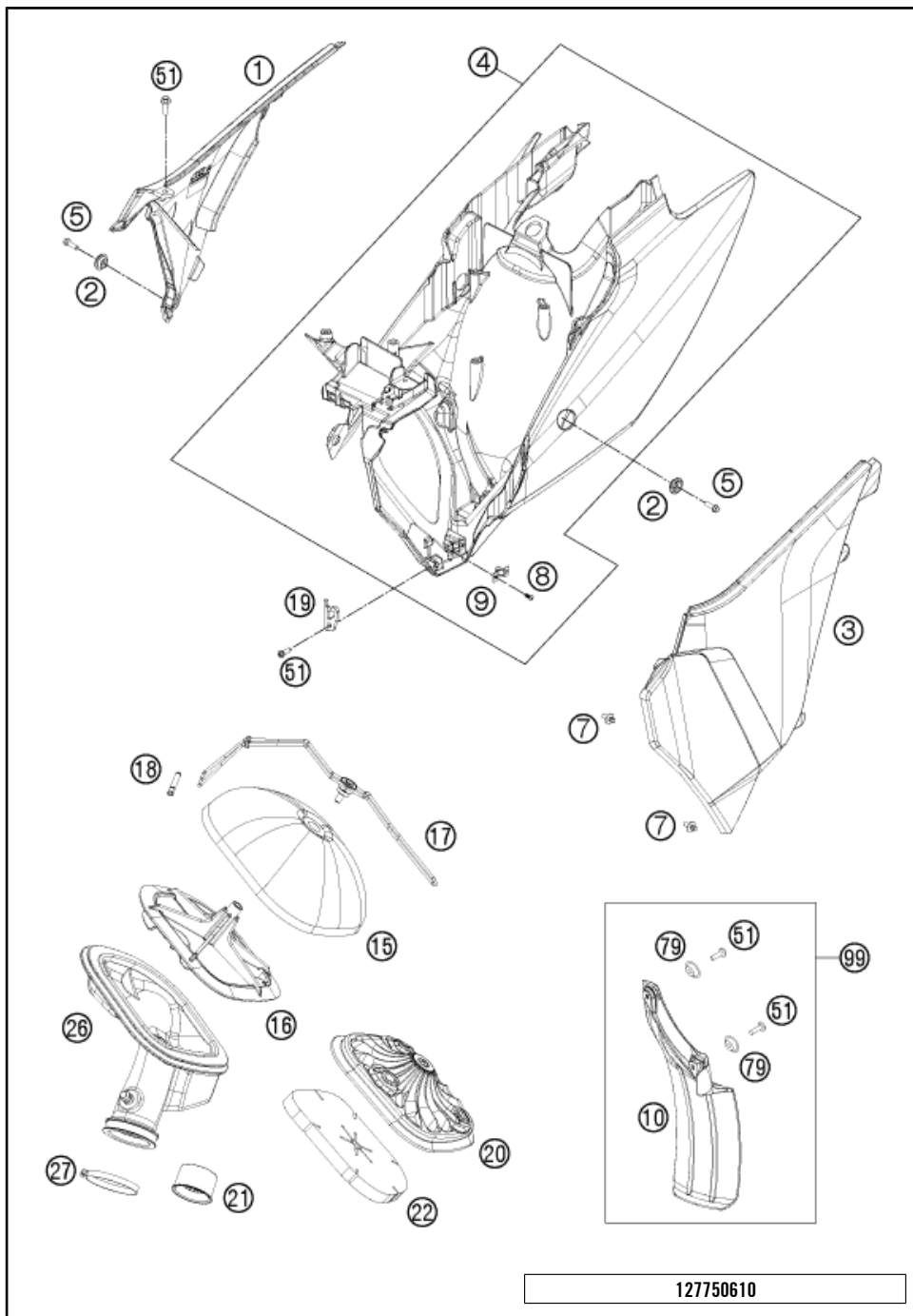
| POS | PARTNUMBER | PARTNAME | PIECE |
|-----|---------------|--------------------------------|-------|
| 1 | 7810508100059 | SILENCER EXC SD | 1 |
| 2 | 77308013050 | THERMAL PROTECTION FOIL 07 | 1 |
| 3 | 77208013050 | THERMAL PROTECTION FOIL | 1 |
| 4 | 7810508108059 | SIL. BRACKET TITAN-LOOK | 1 |
| 8 | 78105081050 | CONNECTING CAP | 1 |
| 9 | 77205169000 | BUSHING 7.5x12x28x8.3 11 | 2 |
| 10 | 0137060003 | SPRING WASHER DIN0137-B 6 | 2 |
| 11 | 77205069000 | BUSHING 7.5x12x20x8.2 11 | 2 |
| 12 | 77205068000 | DAMP. COMPON. BLACK | 3 |
| 13 | 0770740015 | O-RING 74,00X1,50 FKM 75SH | 2 |
| 14 | 0025060306 | HH COLLAR SCREW M6X30 TX30 | 2 |
| 20 | 50305016000 | TEN.SPRING L=62MM EY.MOVEABLE | 2 |
| 21 | 50305116000 | TEN.SPRING L=75MM EY.MOVEABLE | 1 |
| 22 | 78105081010 | SCREW TORX M5X10 | 12 |
| 30 | 78105081070 | SILENCER CAP WITH INSERT | 1 |
| 31 | 77005081065 | THROTTLE ELEMENT CPL. EXC 07 | 1 |
| 32 | 77005081055 | SIL. ELEMENT EXC-F 07 | 1 |
| 33 | 78105078070 | STUFFING YARN REAR | 1 |
| 34 | 78105078430 | STUFFING YARN 430G | 1 |
| 40 | 77505009000 | AP MANIFOLD EXC WITH LAMBDA | 1 |
| 41 | 75041090000 | LAMBDA SENSOR 07 | 1 |
| 42 | 0025080256 | HH COLLAR SCREW M8X25 TX40 | 1 |
| 43 | 59405069000 | BUSHING FOR EXHAUST SUPPORT 03 | 2 |
| 44 | 77405009065 | PLUG SCREW M12X1,25 WS17 | 1 |
| 50 | 78105091000 | PLUG IN CAT 2012 | 1 |
| 80 | 0011401200 | DUMMY RIVET 4,0X12 ALU | x |
| 99 | 00050000815 | EXHAUST PARTS KIT 12-13 | x |



127750510

C127750515

* NEW PART X ON DEMAND



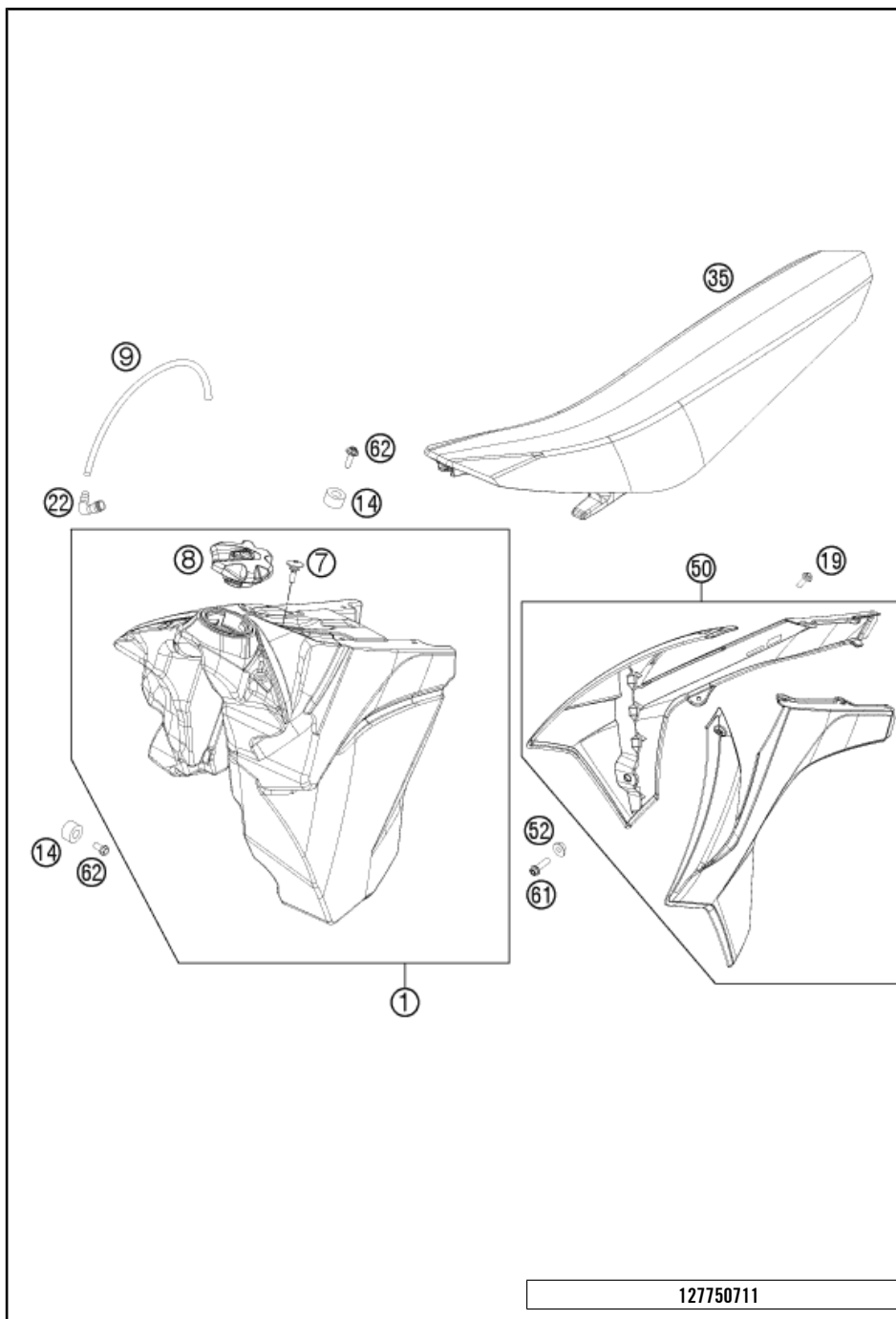
127750610

| POS | PARTNUMBER | PARTNAME | PIECE |
|-----|----------------|--------------------------------|-------|
| 1 | 7720600410028A | AIRFILTERBOX COVER R/S SD 12 | x |
| 1 | 7720600410028 | AIR BOX COVER OR. RIGHT PDS | x |
| 2 | 77308013010 | COLLAR BUSH. F.REAR FENDER 07 | 2 |
| 3 | 7720600300028A | AIRFILTERBOX COVER L/S SD 12 | x |
| 3 | 7720600300028 | AIR FILTER BOX COVER L/S | x |
| 4 | 7720600104428 | FILTER BOX CPL. WHITE 12 | 1 |
| 5 | 0025060206 | HH COLLAR SCREW M6X20 TX30 | 2 |
| 7 | 54806008051 | QUICK RELEASE-NIPPLE 03 | 2 |
| 8 | 54806108052 | BLIND RIVET 3,3X9,7 GROOVED 04 | 4 |
| 9 | 54806008050 | QUICK RELEASE-SPRING HANGER | 2 |
| 10 | 77306010000 | FENDER FOR FILTER BOX | 1 |
| 15 | 77206015000 | AIR FILTER | 1 |
| 16 | 77206016000 | FILTER CARRIER 11 | 1 |
| 17 | 77206017000 | FILTER SUPPORT CPL. 11 | 1 |
| 18 | 77306018000 | FILTER SUPPORT BUSH 07 | 1 |
| 19 | 77206019000 | FASTEN. DEVICE FILTER S. SX 11 | 1 |
| 20 | 78106012000 | THROTTLE VALVE CAP | 1 |
| 21 | 78106012050 | THROTTLE VALVE | 1 |
| 22 | 78106014000 | THROTTLE VALVE CAP FILTER | 1 |
| 26 | 77506026000 | AIRBOXRUBBER 350 EFI | 1 |
| 27 | 78006027000 | HOSE CLAMP 45-65MM | 1 |
| 51 | 0017060204 | EJOT PT SCREW K60X20 ALU WS=6 | 4 |
| 79 | 77304066050 | BUSHING F. CHAIN SLIDING PR.07 | 2 |
| 99 | 77306010010 | SPLASH PROTECTOR KIT SX/EXC | x |

C127750612

* NEW PART

X ON DEMAND

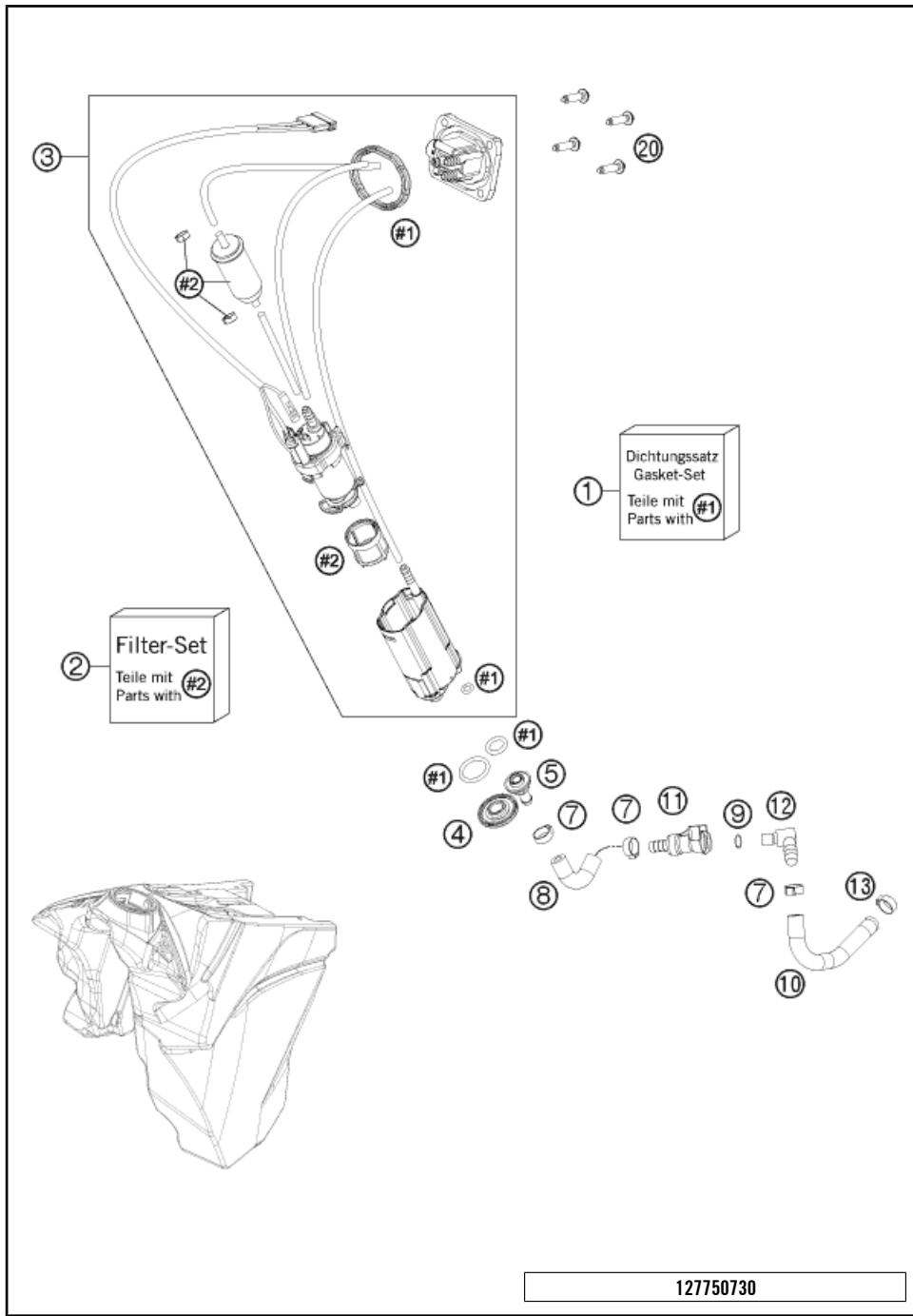


| POS | PARTNUMBER | PARTNAME | PIECE |
|-----|----------------|--------------------------------|-------|
| 1 | 7740701304499 | FUEL TANK CPL. 9,5L EFI EXC | 1 |
| 7 | 50307011000 | SCREW SEAT FASTENING D=6X23/18 | 1 |
| 8 | 78007008044X4 | TANK PLUG ORANGE/BLACK | 1 |
| 9 | 78007000270 | PVC-HOSE 5,6X10X270MM | 1 |
| 14 | 50307014000 | TANK ROLLER 12X26X12 '98 | 3 |
| 19 | 0017060204 | EJOT PT SCREW K60X20 ALU WS=6 | 8 |
| 22 | 50330022000 | ANGLE PIEC 90 DEGREE M10X1 02 | 1 |
| 35 | 77207040100 | SEAT "CAMEL " | 1 |
| 50 | 7720805400028A | SPOILER KIT EXC SD 12 | x |
| 50 | 7720805400028 | SPOILER KIT WHITE SX/XC 11 | x |
| 52 | 50308052000 | BUSH FOR SPOILER 6X11X16X5 MM | 2 |
| 61 | 0025060206 | HH COLLAR SCREW M6X20 TX30 | 2 |
| 62 | 0025060126 | HH COLLAR SCREW M6X12 TX30 | 3 |

127750711

C127750711

* NEW PART X ON DEMAND

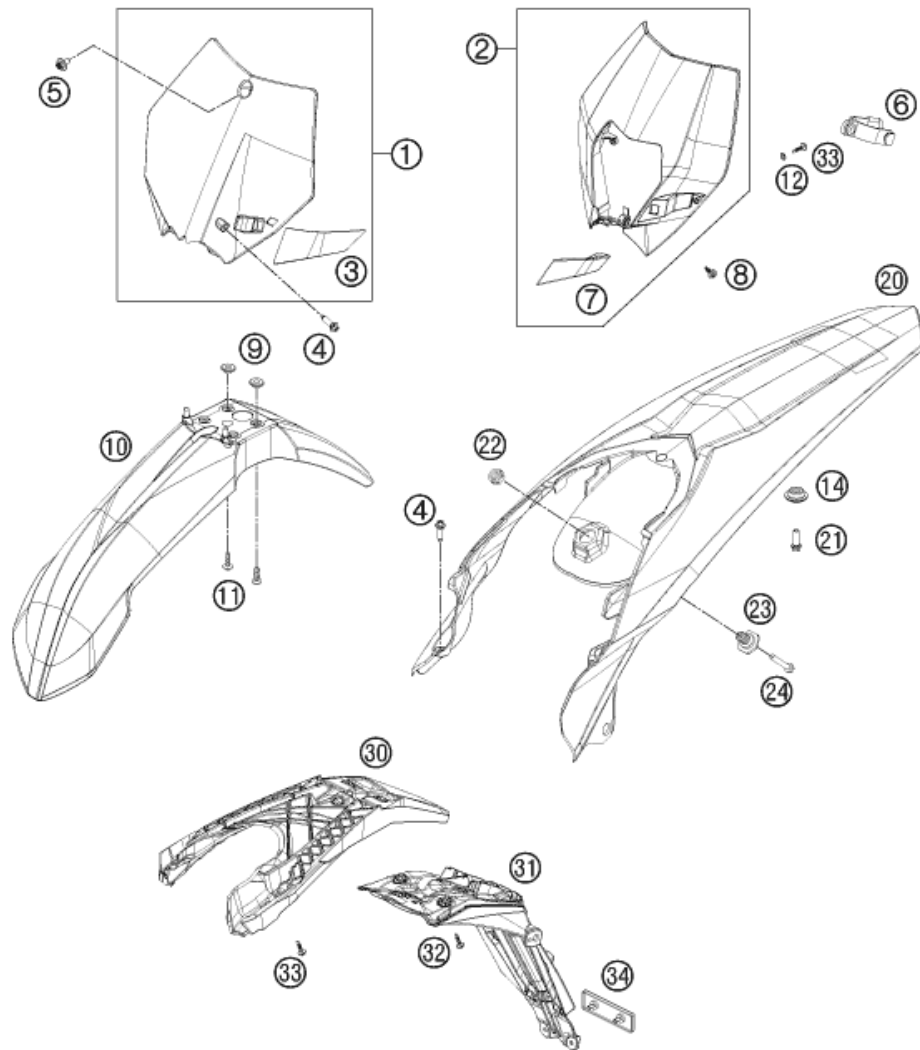


| POS | PARTNUMBER | PARTNAME | PIECE |
|-----|---------------|-------------------------------|-------|
| 1 | 78107089000 | GASKET KIT | 1 |
| 2 | 81207090000 | FILTER KIT | 1 |
| 3 | 78107088000 | FUEL PUMP CPL. EXC | 1 |
| 4 | 78107088014 | NUT F. FUEL PUMP M12 | 1 |
| 5 | 78107088017 | FUEL CONNECTOR M8 | 1 |
| 7 | 00050157706 | VARIABLE ONE-EAR CLAMP 15,7MM | 3 |
| 8 | 77407116000 | FUEL HOSE TANK | 1 |
| 9 | 58507012000 | O-RING VITON F. PLUG CPC 05 | 1 |
| 10 | 77407016000 | FUEL HOSE PREFORMED THR.BODY | 1 |
| 11 | 5850701050030 | CLUTCH CPC BLACK 05 | 1 |
| 12 | 7720701000030 | PLUG CPC | 1 |
| 13 | 77507017000 | CLAMP ABA 14MM | 1 |
| 20 | 0017060253 | EJOT PT SCREW K60X25-Z SW=6 | 4 |

127750730

C127750730

* NEW PART X ON DEMAND



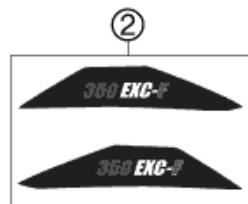
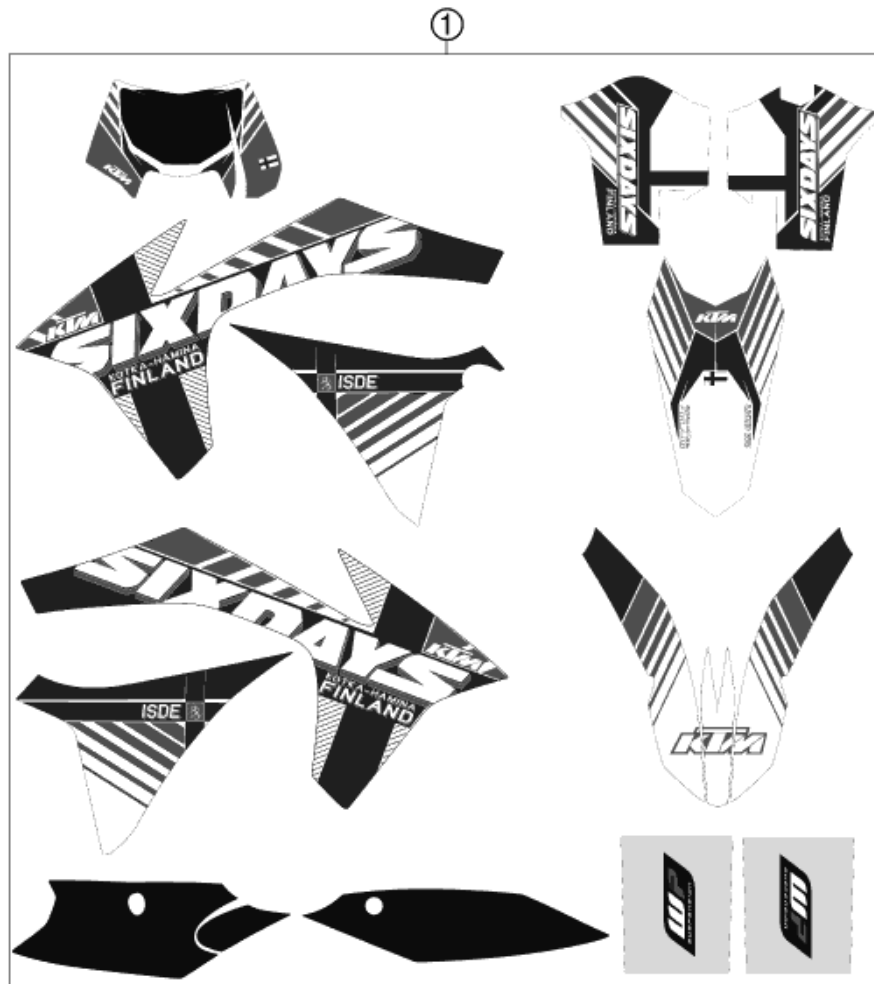
| POS | PARTNUMBER | PARTNAME | PIECE |
|-----|---------------|-------------------------------|-------|
| 1 | 7730800704428 | START NUMBER PLATE CPL. WHITE | 1 |
| 2 | 7800800100028 | HEAD LIGHT MASK WHITE 2011 | 1 |
| 3 | 7730802200030 | BRAKE HOSE GUIDE BLACK 08 | 1 |
| 4 | 0017060204 | EJOT PT SCREW K60X20 ALU WS=6 | 2 |
| 5 | 0024060106 | HH COLLAR SCREW M6X10 TX30 | 1 |
| 6 | 50211086000 | MASK RUBBER UFO WP '95 | 2 |
| 7 | 7800802200028 | BRAKE HOSE GUIDE WHITE | 1 |
| 8 | 0081050181 | SCREW FOR PLASTIC K50X18 T20 | 3 |
| 9 | 54808020000 | SPACER BUSHING 03 | 4 |
| 10 | 7730801000028 | FRONT FENDER WHITE | 1 |
| 11 | 0024060206 | HH COLLAR SCREW M6X20 TX30 | 4 |
| 12 | 0125060003 | WASHER DIN0125-A 6,4 | 1 |
| 14 | 77308013010 | COLLAR BUSH. F.REAR FENDER 07 | 2 |
| 20 | 7810801300028 | REAR FENDER WHITE | 1 |
| 21 | 0025050206 | HH COLLAR SCREW M5X20 TX30 | 2 |
| 22 | 50314057050 | COLLAR NUT M12X1/WS17 H=5MM | 1 |
| 23 | 54807048000 | BUSHING FOR SEAT FASTENING 03 | 1 |
| 24 | 0025060256 | HH COLLAR SCREW M6X25 TX30 | 1 |
| 30 | 78108016000 | NUMBER PLATE CARRIER TOP | 1 |
| 31 | 78108016050 | NUMB.PLATE CARRIER BOTTOM | 1 |
| 32 | 0017060303 | SPECIAL SCREW T60 6X30 WS=6 | 2 |
| 33 | 0017060203 | EJOT PT SCREW K60X20 WS=6 | 3 |
| 34 | 58412080000 | REFLECTOR RED LC4 '98 | 1 |

125030810

C127750812

* NEW PART

X ON DEMAND



127750833

| POS | PARTNUMBER | PARTNAME | PIECE |
|-----|-------------|--------------------------------|-------|
| 1 | 77508190000 | DECALSET SIXDAYS FINNLAND | 1 |
| 2 | 77508098200 | DECAL REAR PART 350 EXC-F SD12 | 1 |

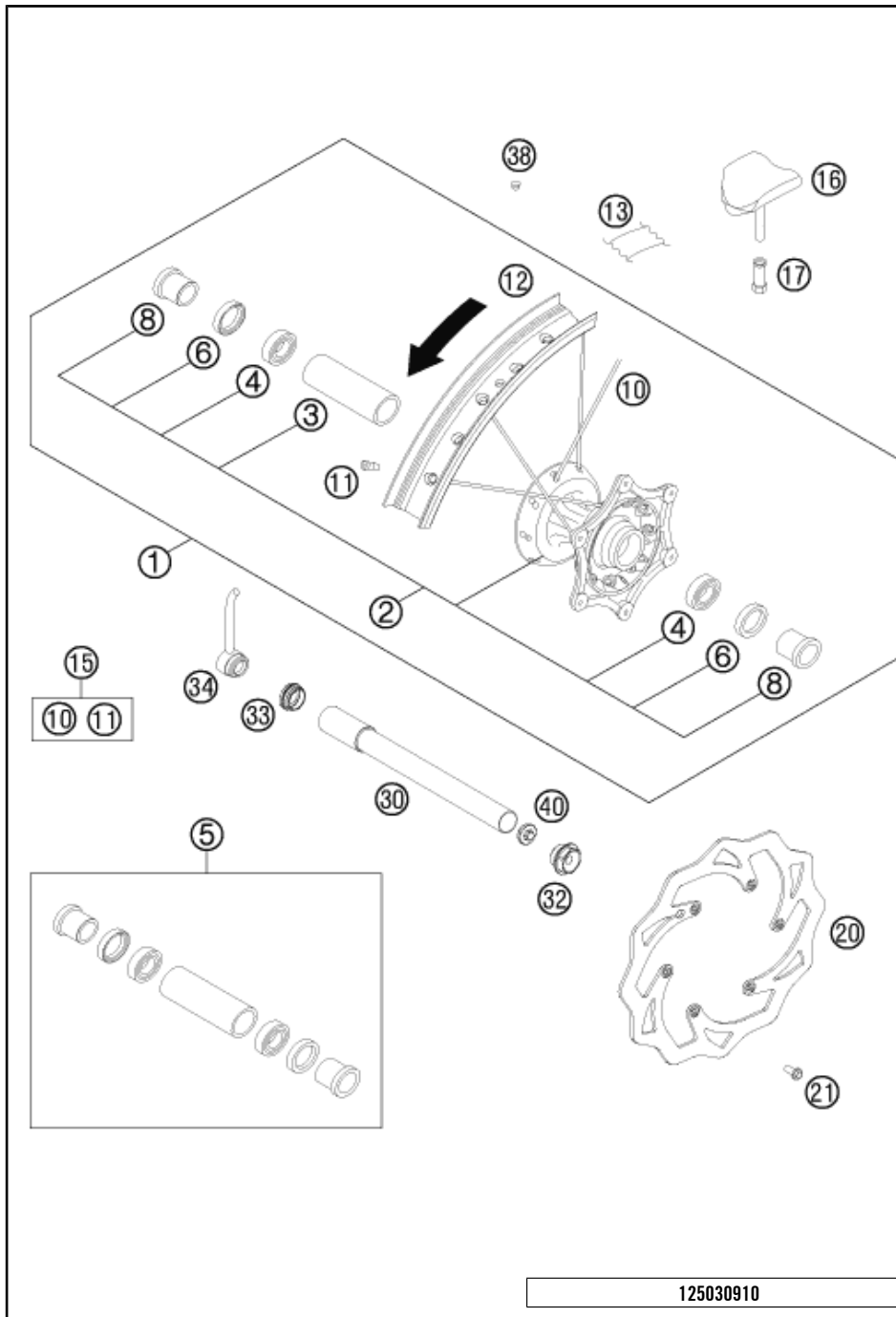
C127750833

* NEW PART

X ON DEMAND

FRONT WHEEL

350 EXC-F SIX DAYS EU 2012



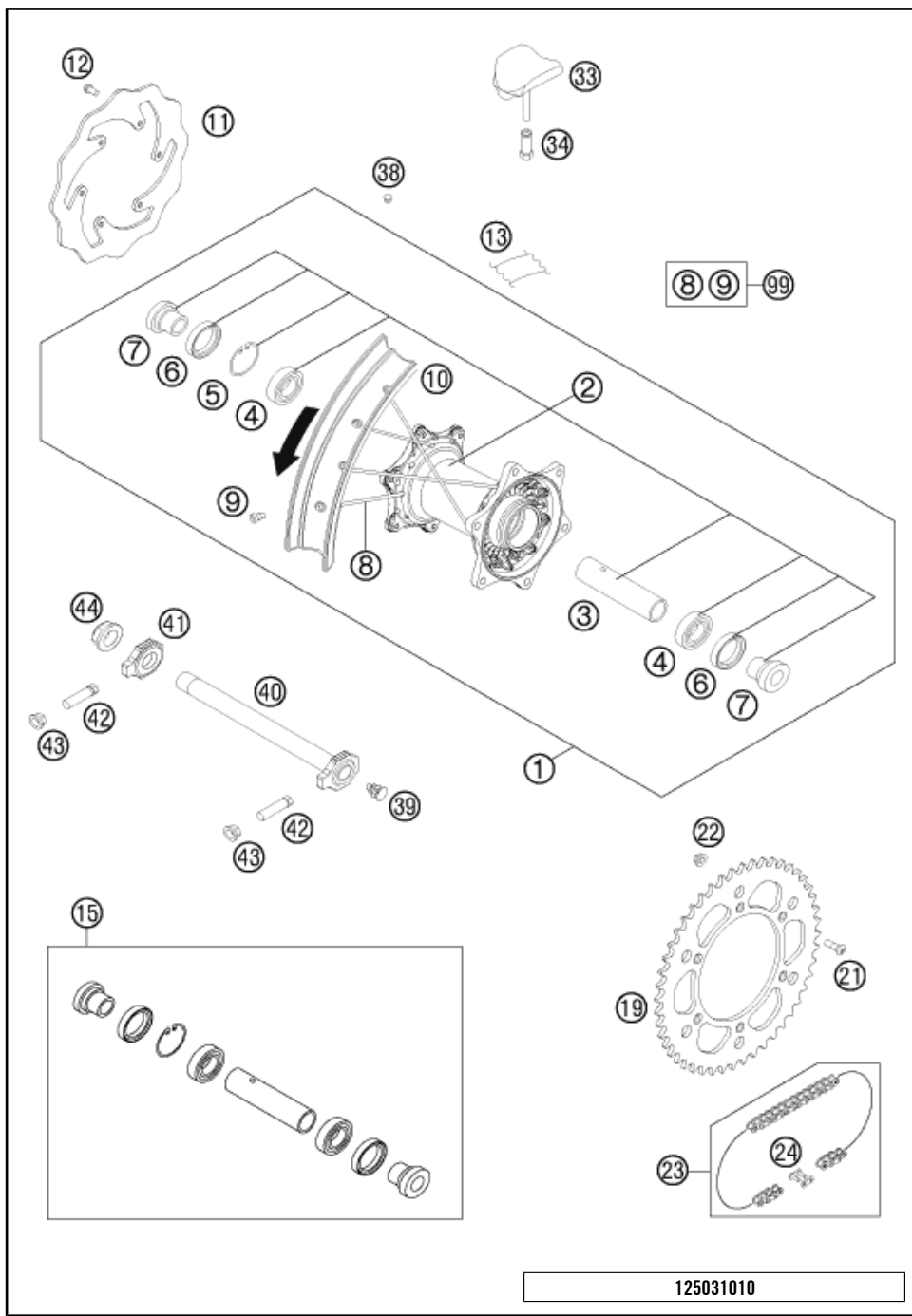
| POS | PARTNUMBER | PARTNAME | PIECE |
|-----|---------------|--------------------------------|-------|
| 1 | 7810900104430 | FRONT WHEEL 1,6X21" BLACK SD12 | 1 |
| 2 | 78009010144 | FRONT WHEEL HUB CPL. | 1 |
| 3 | 54809011000 | BEA.SPACERTUBE 35X2 L=79,4 03 | 1 |
| 4 | 0625069068 | GR.BALL BEAR.6906 DDU2CG23S6NM | 2 |
| 5 | 78009015000 | FRONT WHEEL REP. KIT | 1 |
| 6 | 0760354771 | SHAFT SEAL RING 35X47X7 TC | 2 |
| 8 | 78009012000 | SPACER BUSHING F. FR. WHEEL 08 | 2 |
| 10 | 7710907122630 | SPOKE M4,5X226- 21" BLACK 12 | 36 |
| 11 | 77109072000 | SPOKE NIPPLE M4,5 AL 11 | 36 |
| 12 | 7810907000030 | RIM FRONT 1,6X21" BLACK | 1 |
| 13 | 50309073000 | RIM BAND 21" | 1 |
| 15 | 00050000954 | SPOKE KIT FRONT "21" BLACK | x |
| 16 | 51009100100 | RIM LOCK VM1 (1,60") | 1 |
| 17 | 77110090050 | NUT FOR WHEEL HOLDER | 1 |
| 20 | 77309060000 | BRAKE DISC FRONT 260 | 1 |
| 21 | 59009062013 | SPECIAL SCREW M6X13 WS=8 10.9 | 6 |
| 30 | 77309081000 | WHEEL SPIN.FR. D=26 M24x1,5 07 | 1 |
| 32 | 54809082000 | SPINDLE SCREW M24X1,5 WS=27 03 | 1 |
| 33 | 54809081050 | PLUG BUSHING WS=27 03 | 1 |
| 34 | 54809081060 | FRONT AXLE PULL 26MM 04 | 1 |
| 38 | 55003135000 | PLUG FOR RIM | x |
| 40 | 54809081070 | AUXILIARY SCREW FRONT 06 | 1 |

125030910

C127750911

* NEW PART

X ON DEMAND



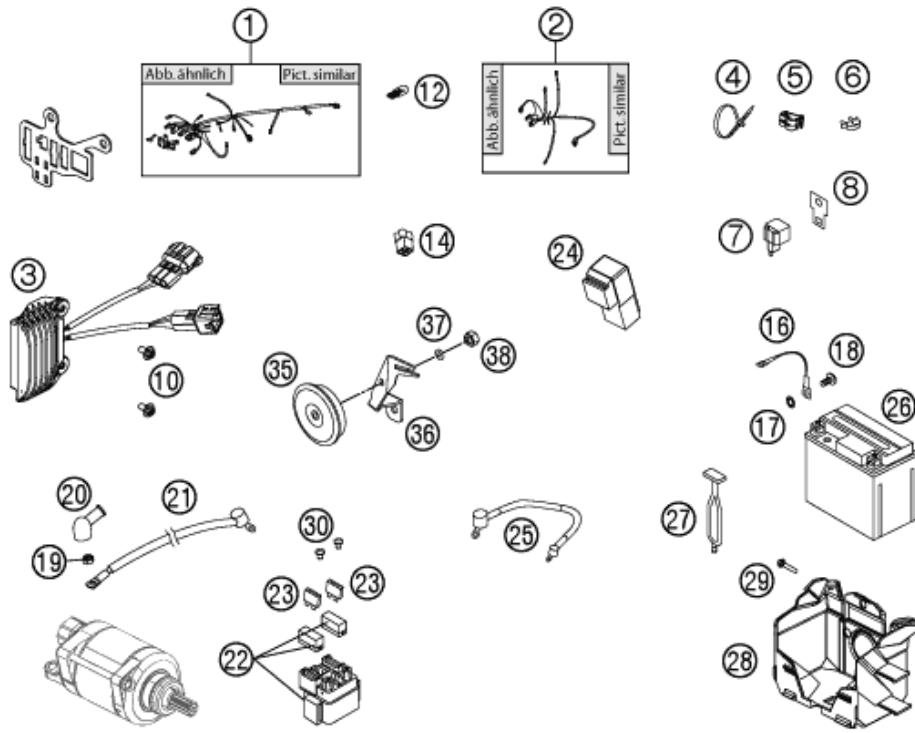
125031010

| POS | PARTNUMBER | PARTNAME | PIECE |
|-----|---------------|--------------------------------|-------|
| 1 | 7811000104430 | REAR WHEEL 2,15X18"BLACK SD 12 | 1 |
| 2 | 78010010144 | REAR WHEEL HUB CPL. | 1 |
| 3 | 59010011000 | BUSHING SPACER TUBE 121,5MM 01 | 1 |
| 4 | 0625060058 | GR.BALL BEAR.6005 DDU2CG23S6NM | 2 |
| 5 | 0472047175 | CIRCLIP DIN0472-47X1,75 | 1 |
| 6 | 0760324771 | SHAFT SEAL RING 32X47X7 BSL | 2 |
| 7 | 78010016000 | BUSHING FOR HUB 08 | 2 |
| 8 | 7711007119330 | SPOKE M4,5X193- 18" BLACK 12 | 36 |
| 9 | 77109072000 | SPOKE NIPPLE M4,5 AL 11 | 36 |
| 10 | 7811007000030 | RIM REAR 2,15X18" BLACK | 1 |
| 11 | 78010960000 | REAR BRAKE DISK | 1 |
| 12 | 59009062013 | SPECIAL SCREW M6X13 WS=8 10.9 | 6 |
| 13 | 50310073200 | RIM BAND 18" AND 19" | 1 |
| 15 | 78010015000 | REAR WHEEL REP. KIT | x |
| 19 | 5841005103804 | REAR SPROCKET ORANGE 38-T | x |
| 19 | 5841005104004 | REAR SPROCKET ORANGE 40-T | x |
| 19 | 5841005104204 | REAR SPROCKET ORANGE 42-T | x |
| 19 | 5841005104404 | REAR SPROCKET ORANGE 44-T | x |
| 19 | 5841005104804 | REAR SPROCKET ORANGE 48-T | x |
| 19 | 5841005104904 | REAR SPROCKET ORANGE 49-T | x |
| 19 | 5841005105004 | REAR SPROCKET ORANGE 50-T | x |
| 19 | 5841005105104 | REAR SPROCKET ORANGE 51-T | x |
| 19 | 5841005105204 | REAR SPROCKET ORANGE 52-T | 1 |
| 21 | 0019080266S | COUNTER-SUNK SCREW ISA45 M8X26 | 6 |
| 22 | 06923080003 | HEXAGON NUT DIN EN1661 M8 SW13 | 6 |
| 23 | 78010167118 | CHAIN DID 118 ROLLS | 1 |
| 24 | 78010166000 | CONNECTING LINK F. 78010167118 | 1 |
| 33 | 54010100100 | RIM LOCK VM3 (2.15") | 1 |
| 34 | 77110090050 | NUT FOR WHEEL HOLDER | 1 |
| 38 | 55003135000 | PLUG FOR RIM | x |
| 39 | 50210086000 | COVERING CAP SFL16 | x |
| 40 | 77310085044 | WHEEL SPINDLE RE. CPL.265MM 07 | 1 |
| 41 | 50310084000 | CHAIN TENSIONER R/S 2000 | 1 |
| 42 | 50304040100 | SCREW M10X1,25X50 WS=10 | 2 |
| 43 | 58414030000 | HH COLLAR NUT M10X1,25 WS=13 | 2 |
| 44 | 50310099000 | HEXAGON NUT M20X1,5 '98 | 1 |
| 99 | 00050000958 | SPOKE KIT REAR 18" BLACK | x |

C127751012

* NEW PART

X ON DEMAND



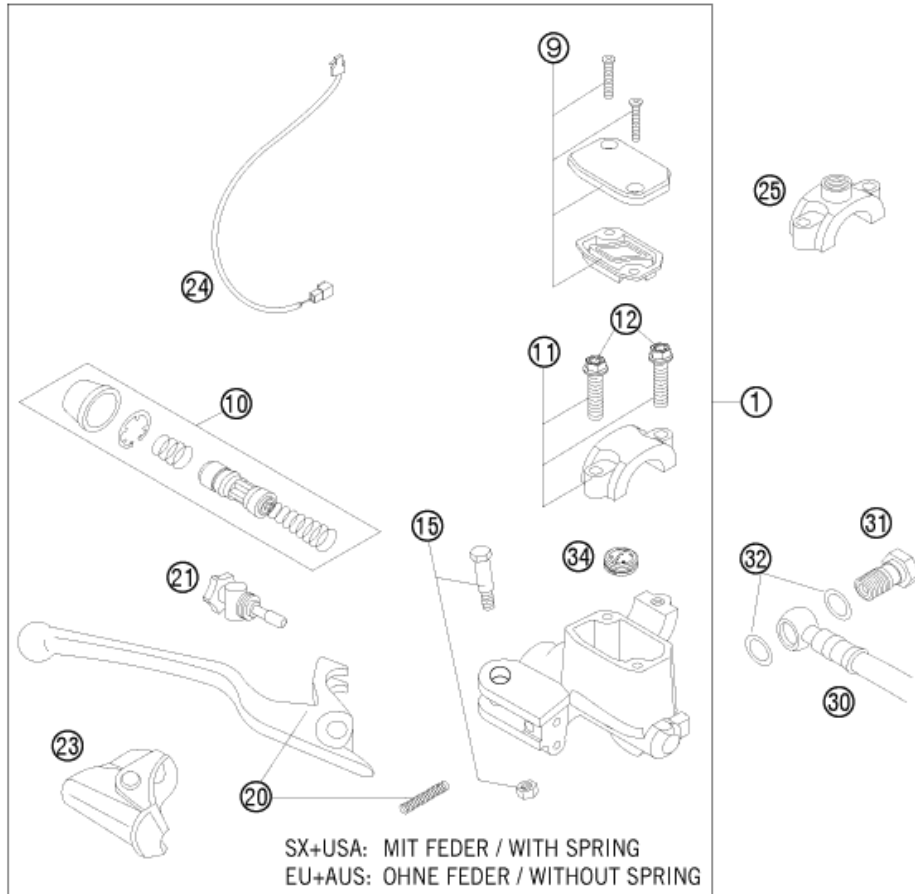
| POS | PARTNUMBER | PARTNAME | PIECE |
|-----|-------------|--------------------------------|-------|
| 1 | 78111075033 | WIRING HARNESS EFI VMT. EU/AUS | 1 |
| 2 | 78111079000 | WIR.HARN.LIGHT EFI KPL. EU 12 | 1 |
| 3 | 78111034000 | VOLTAGE REGULATOR | 1 |
| 4 | 44011076140 | CABLE TIE 140/2,5MM BLACK | x |
| 4 | 44011076200 | CABLE TIE 200/3,6MM BLACK | x |
| 4 | 44011076305 | CABLE TIE 300/4,8MM BLACK | x |
| 5 | 83013026000 | CABLE GUIDE | 2 |
| 6 | 57013072100 | WIRING HOLDER 16MM | 1 |
| 7 | 44611207200 | FLASHER UNIT 97 | 1 |
| 8 | 58211031100 | BRACKET FOR FLASHER RELAY | 1 |
| 10 | 0023060123 | COLLAR SCREW M6X12 TX | 2 |
| 12 | 49111425200 | BULB 12V 2,3W (W2X4,6D) | 3 |
| 14 | 81211096000 | DUMMY PLUG AN 4-PIN | 1 |
| 16 | 58411097100 | GROUND CABLE D=6MM L=140MM '97 | 1 |
| 17 | 58411098100 | CONTACT WASHER M6 VSV-K6 | 1 |
| 18 | 0009050106 | EJOT SPIRAL SCREW SF M5X10-K | 1 |
| 19 | 0985060003 | SELF LOCK. NUT DIN0985-M 6 | 1 |
| 20 | 77240099000 | PROTECTION CAP F. STARTER ENG. | 1 |
| 21 | 58411059100 | STARTERCABLE 700 MM '97 | 1 |
| 22 | 58211058000 | STARTER RELAY 12V '99 | 1 |
| 23 | 58011109120 | FUSE 20 A | 2 |
| 24 | 61111057000 | RELAY CM1A-R-12V-H80 07 | 2 |
| 25 | 58711086000 | WIRING HARNESS BATTERY DUKE'99 | 1 |
| 26 | 77311053000 | BATTERY 12V 3AH YTX4L-BS | 1 |
| 27 | 50303018000 | RUBBER L=145MM | 1 |
| 28 | 77211055000 | BATTERY BOX | 1 |
| 29 | 0017060203 | EJOT PT SCREW K60X20 WS=6 | 3 |
| 30 | 0902060083 | AH OVAL SCREW ISO 7380 M 6X8 | 2 |
| 35 | 50311060200 | DC HORN 12V 07 | 1 |
| 36 | 78011061000 | HORN BRACKET EXC 08 | 1 |
| 37 | 0125050003 | WASHER DIN0125-A 5,3 | 1 |
| 38 | 0934050003 | HEXAGON NUT DIN0934-M 5 | 1 |

127751110

C127751110

* NEW PART

X ON DEMAND



| POS | PARTNUMBER | PARTNAME | PIECE |
|-----|-------------|--------------------------------|-------|
| 1 | 77013001144 | HAND BRAKE CYLINDER CPL.EXC 09 | 1 |
| 9 | 50313003000 | HANDBRAKE CYL.COVER CPL.NATURE | 1 |
| 10 | 54813008300 | REP.SET PISTON D=9MM 2009 | 1 |
| 11 | 50313005000 | CLAMP CPL. NATURE | 1 |
| 12 | 0025060256 | HH COLLAR SCREW M6X25 TX30 | 2 |
| 15 | 50313006100 | LEVER SCREW CPL. 2001 | 1 |
| 20 | 54813002200 | HAND BRAKE LEVER + SPRING 2009 | 1 |
| 21 | 54813007300 | ADJUSTING SCREW CPL. SX 2009 | 1 |
| 23 | 50313004000 | PROTECTION CAP HAND BRAKE CYL. | 1 |
| 24 | 50311050100 | BRAKE LIGHT SWITCH FRONT 2002 | 1 |
| 25 | 58012040150 | CLAMP FOR MIRROR '94 | 1 |
| 30 | 59013011000 | BRAKEHO. FRONT 1300MM 2000 | 1 |
| 31 | 54813020100 | HOLLOW SCREW BLACK M10X1X19 | 1 |
| 32 | 0603100141 | COPPER GASKET DIN7603-10X14X1 | 2 |
| 34 | 54802051000 | VALVE | 1 |
| 80 | 00062030000 | BRAKE FLUID DOT5.1 0,25L | 1 |

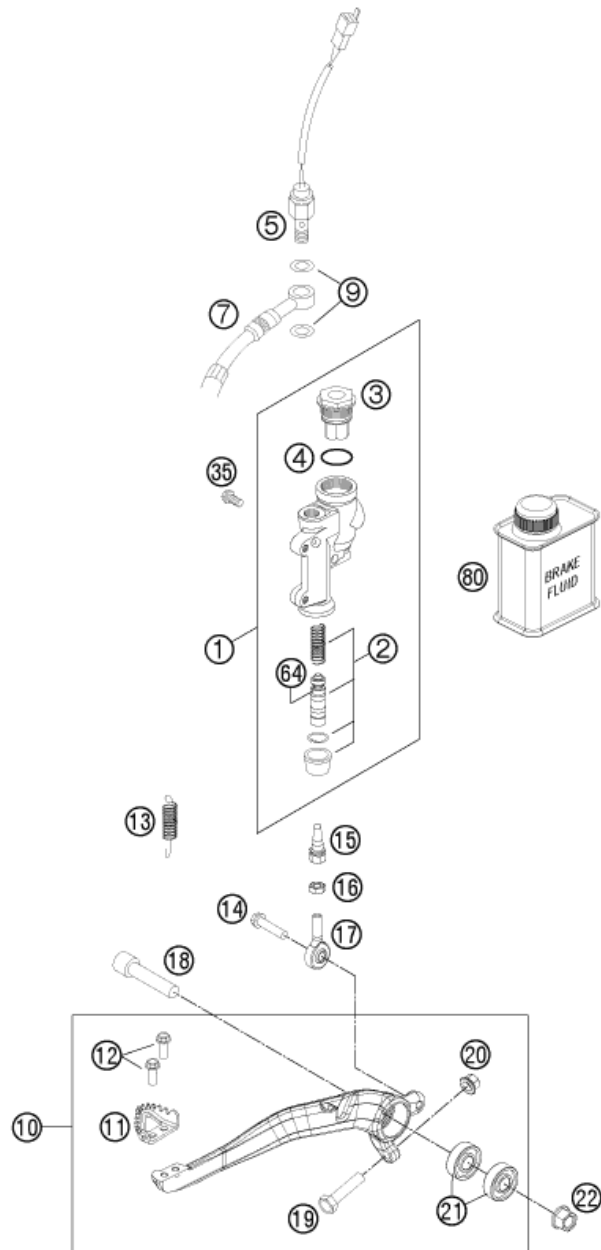


095511310

C117801311

* NEW PART

X ON DEMAND



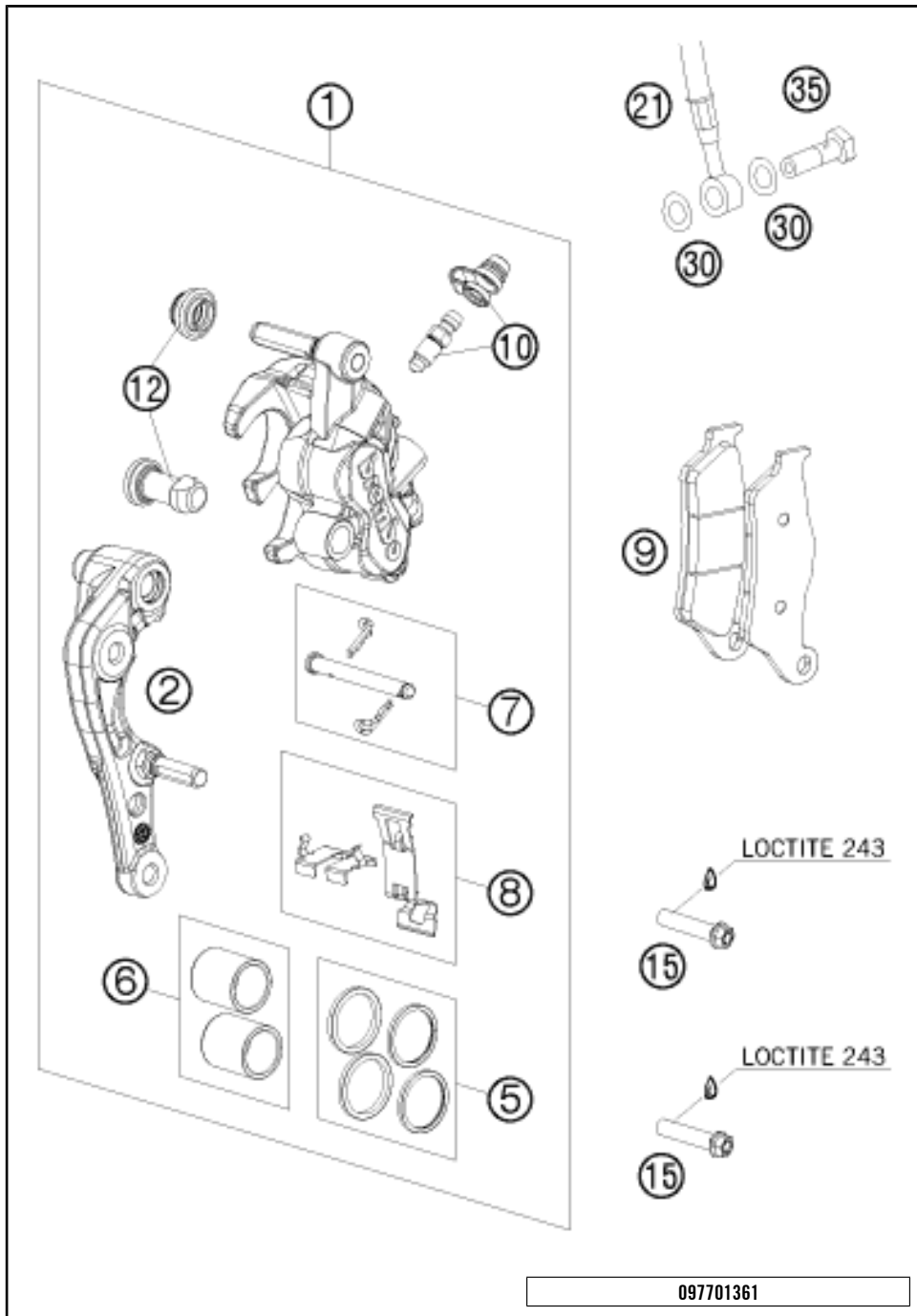
127751330

| POS | PARTNUMBER | PARTNAME | PIECE |
|-----|-------------|-------------------------------|-------|
| 1 | 54813060100 | REAR BRAKE CYLINDER CPL. 2004 | 1 |
| 2 | 54813061200 | REPAIR KIT PISTON 13MM 06 | 1 |
| 3 | 54813062100 | REAR BRAKE CYL. COVER CPL. 04 | 1 |
| 4 | 54813063000 | FOOT-BRAKE CYL. GASKET SX 03 | 1 |
| 5 | 50311051100 | BRAKE LIGHT SWITCH REAR '98 | 1 |
| 7 | 54813070000 | BRAKE HOSE REAR 655MM 03 | 1 |
| 9 | 0603100141 | COPPER GASKET DIN7603-10X14X1 | 2 |
| 10 | 77213050044 | FOOT BRAKE LEVER CPL. | 1 |
| 11 | 54813051000 | STEP PLATE FOR BRAKE LEVER | 1 |
| 12 | 0025050126 | HH COLLAR SCREW M5X12 TX30 | 2 |
| 13 | 54603062000 | RETURN SPRING FOR BRAKE LEVER | 1 |
| 14 | 0025060206S | HH COLLAR SCREW M6X20 TX30 | 1 |
| 15 | 54813056000 | PUSH ROD L=28MM 03 | 1 |
| 16 | 0985060003 | SELF LOCK. NUT DIN0985-M 6 | 1 |
| 17 | 54813055000 | SWIVEL HEAD KA6 03 | 1 |
| 18 | 0032100406S | AH-COLLAR SCREW M10X40 ISA45 | 1 |
| 19 | 59001037000 | SPECIAL SCREW M8X26 WS=10 | 1 |
| 20 | 46030045000 | COLLAR NUT M8 WS=10 | 1 |
| 21 | 0625060002 | BALL BEARING SKF 6000-2RS1 | 2 |
| 22 | 54630044000 | COLLAR NUT M10 WS=13 | 1 |
| 35 | 0025060126 | HH COLLAR SCREW M6X12 TX30 | 2 |
| 64 | 54813064200 | BELLOWS FOR REPAIR KIT 06 | 1 |
| 80 | 00062030000 | BRAKE FLUID DOT5.1 0,25L | 1 |

C127751330

* NEW PART

X ON DEMAND

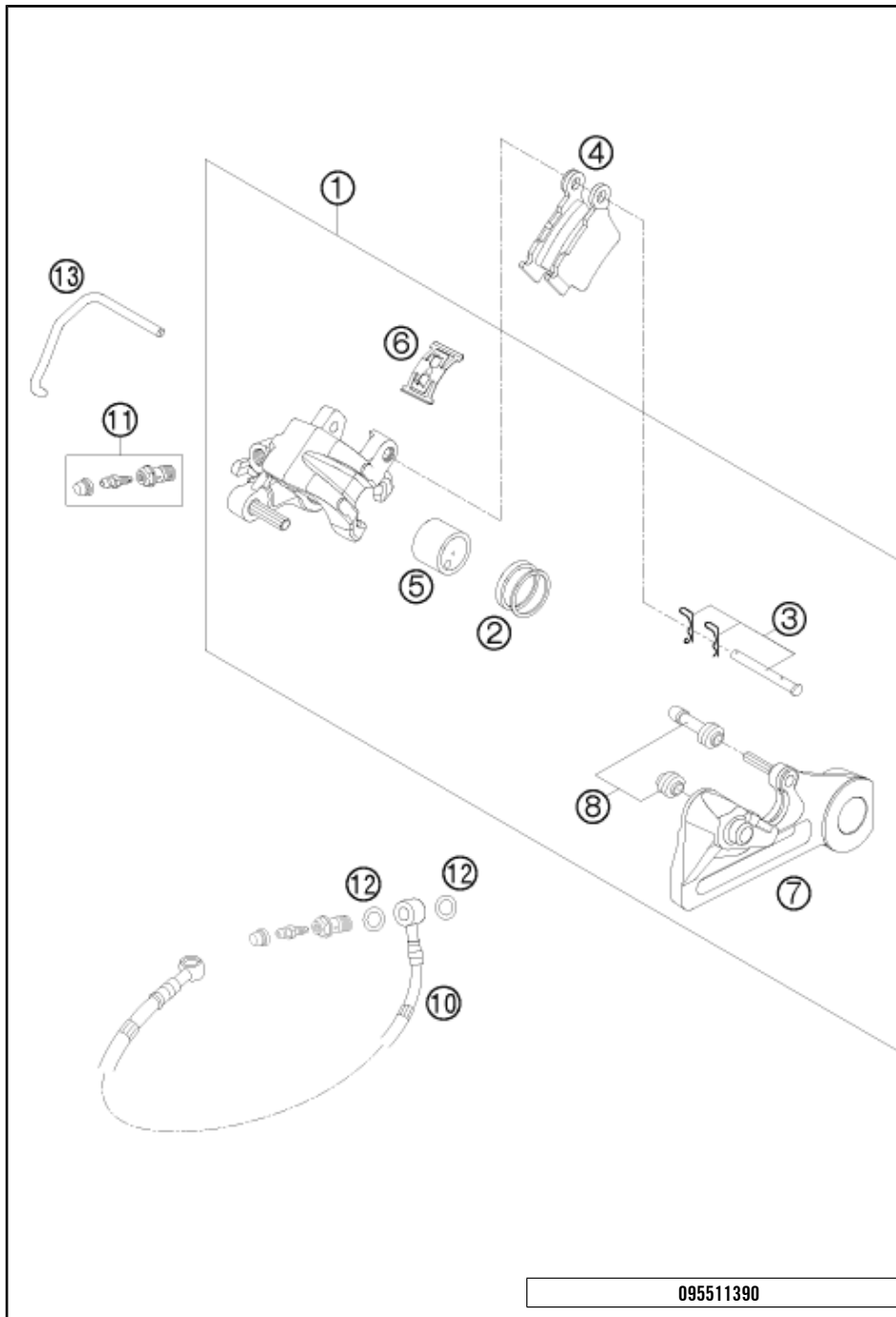


| POS | PARTNUMBER | PARTNAME | PIECE |
|-----|---------------|--------------------------------|-------|
| 1 | 7701301500101 | CALIPER NAT. WITHOUT PADS | 1 |
| 2 | 77013014000 | BRAKE CALIPER SUPPORT FRONT 09 | 1 |
| 5 | 77013021000 | REP. KIT SEALS 24MM | 1 |
| 6 | 77013019000 | REP. KIT PISTON 24MM | 1 |
| 7 | 77013017000 | BOLT CPL. 09 | 1 |
| 8 | 77013018000 | RETAINING PLATE SET BREMBO | 1 |
| 9 | 77013020000 | BRAKE PADS TOYO B153 | 1 |
| 10 | 61013020100 | BLEEDER SCREW WITH CAP | 1 |
| 12 | 54613218000 | CUP SET SHORT | 1 |
| 15 | 0025080356S | HH COLLAR SCREW M8X35 TX40 | 2 |
| 21 | 59013011000 | BRAKEHO. FRONT 1300MM 2000 | 1 |
| 30 | 0603100141 | COPPER GASKET DIN7603-10X14X1 | 2 |
| 35 | 50213025000 | HOLLOW SCREW M10X1X19 | 1 |

097701361

C117801361

* NEW PART X ON DEMAND



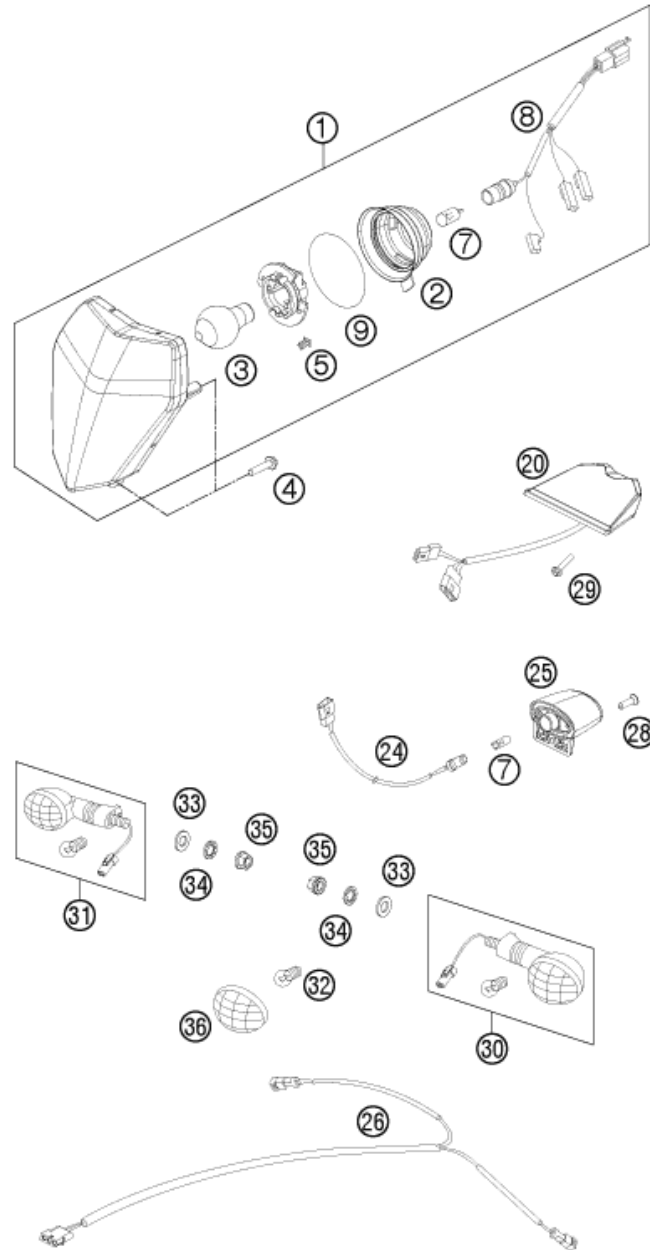
| POS | PARTNUMBER | PARTNAME | PIECE |
|-----|-------------|-------------------------------|-------|
| 1 | 54813080101 | BRAKE CAL. RE. - WITHOUT PADS | 1 |
| 2 | 50313081200 | REPAIR KIT SEALING RINGS 26MM | 1 |
| 3 | 54813082000 | BOLT SET FOR BRAKE CALIPER 03 | 1 |
| 4 | 54813090300 | BRAKE PAD SET REAR TOYO | 1 |
| 5 | 54813083000 | BRAKE PISTON 26MM 2003 | 1 |
| 6 | 54813018000 | RETAINING SPRING SET 2003 | 1 |
| 7 | 54813075000 | BRAKE CALIPER SUPPORT REAR | 1 |
| 8 | 54613218000 | CUP SET SHORT | 1 |
| 10 | 54813070000 | BRAKE HOSE REAR 655MM 03 | 1 |
| 11 | 62513020000 | BLEEDER SCREW CPL. 05 | 1 |
| 12 | 0603100141 | COPPER GASKET DIN7603-10X14X1 | 2 |
| 13 | 50313082200 | *BRAKE PAD RETAINING PIN | 1 |

095511390

C105511390

* NEW PART

X ON DEMAND



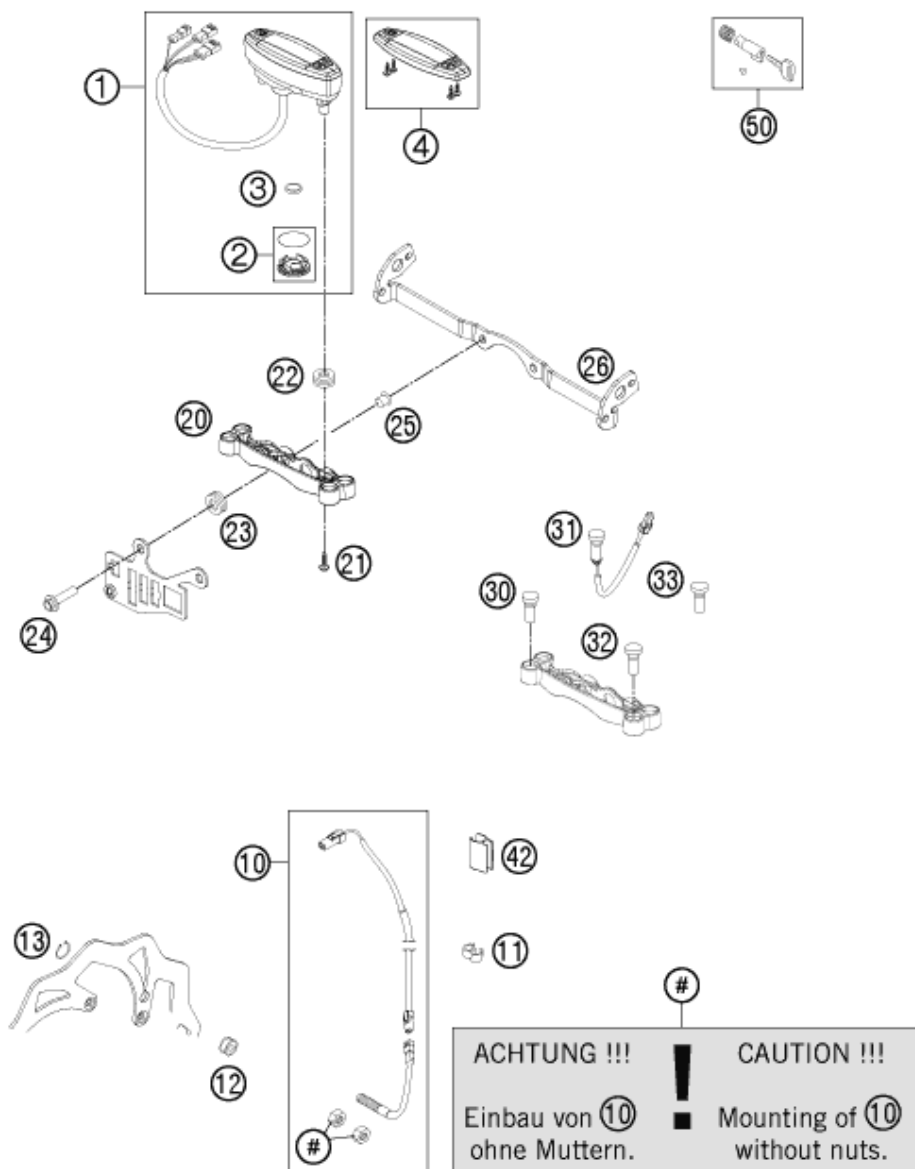
| POS | PARTNUMBER | PARTNAME | PIECE |
|-----|-------------|--------------------------------|-------|
| 1 | 78014001000 | HEAD LIGHT CPL. EXC-EU 08 | 1 |
| 2 | 54814001050 | RUBBER CAP FOR HEAD LIGHT 05 | 1 |
| 3 | 44111038000 | BILUX-BULB 12V 35/35W BA20D | 1 |
| 4 | 0081050181 | SCREW FOR PLASTIC K50X18 T20 | 3 |
| 5 | 78014009000 | DRAIN HOLE COVER | 1 |
| 7 | 49011435100 | BULB 12V 5W (W2,1X9,5D) PHIL. | 2 |
| 8 | 54811001050 | CABLE FOR HEAD LIGHT 2005 | 1 |
| 9 | 0770350032 | O-RING 35,00X32,00 NBR | 1 |
| 20 | 76514040000 | REAR LIGHT | 1 |
| 24 | 76511078000 | WIRING HARN. LIC. PLATE ILLUM. | 1 |
| 25 | 75014047000 | LICENSE PLATE ILLUMINATION 07 | 1 |
| 26 | 77411081000 | REAR FLASHER WIR. HARNESS 12 | 1 |
| 28 | 0081250181 | SCREW FOR PLASTIC 50X18 T20 | 1 |
| 29 | 0017060253 | EJOT PT SCREW K60X25-Z SW=6 | 2 |
| 30 | 54814025200 | FLASHER CPL. FR.L/S RE.R/S 09 | 2 |
| 31 | 54814026200 | FLASHER CPL. FR.R/S RE.L/S 09 | 2 |
| 32 | 44111015100 | BULB 12V 10W (BA15S) | 4 |
| 33 | 0125100003 | WASHER DIN0125-A10,5 | 4 |
| 34 | 0797100003 | LOCK WASHER DIN6797-J10,5 ZI | 4 |
| 35 | 58414030000 | HH COLLAR NUT M10X1,25 WS=13 | 4 |
| 36 | 54814028000 | FLASHER LENS L/S R/S 05 | 4 |

127751410

C127751410

* NEW PART

X ON DEMAND



| POS | PARTNUMBER | PARTNAME | PIECE |
|-----|-------------|--------------------------------|-------|
| 1 | 54814069000 | SPEEDOMETER KM/H F. 21" 2005 | 1 |
| 2 | 54814069010 | BATTERY COVER F. SPEEDOM. 2005 | 1 |
| 3 | 58314068000 | BATTERY F. SPEEDOM. M.A.E. 02 | 1 |
| 4 | 54814069020 | SPEEDOMETER TOP PART 05 | 1 |
| 10 | 54814068100 | CABLE FOR DIGITAL SPEEDOM. 06 | 1 |
| 11 | 60111094000 | CLAMP 5/7 MM 06 | 2 |
| 12 | 54814069050 | MAGNET FOR DIGITAL SPEEDOM. 03 | 1 |
| 13 | 0471009104 | CIRCLIP DIN0471- 9X1 INOX | 1 |
| 20 | 81214060000 | SPEEDOMETER BRACKET | 1 |
| 21 | 0081645121 | EJOT DELTA PT SCREW 45X12-Z | 2 |
| 22 | 58214069051 | RUBBER GROMMET 16X10,8X3 02 | 2 |
| 23 | 31008060000 | RUBBER SLEEVE D=8MM OPEN | 2 |
| 24 | 0025060256 | HH COLLAR SCREW M6X25 TX30 | x |
| 24 | 0025060306 | HH COLLAR SCREW M6X30 TX30 | x |
| 25 | 58314060050 | SPACER BUSH. F. SPEEDOMET.BRA. | 2 |
| 26 | 78014033000 | FLASHER BRACKET EXC 08 | 1 |
| 30 | 58011024300 | FLASHER INDICAT.LIGHT GREEN'98 | 1 |
| 31 | 81214083000 | INDICATOR LIGHT LED YELLOW FI | 1 |
| 32 | 58011021300 | H.BEAM INDICATOR LIGHT BLUE'98 | 1 |
| 33 | 81214086000 | INDICATOR LIGHT RESERVE | 1 |
| 42 | 54813026000 | CABLE SUPPORT 10/6MM 06 | 2 |
| 50 | 78003035000 | STEERING HEAD LOCK 08 | 1 |

127751430

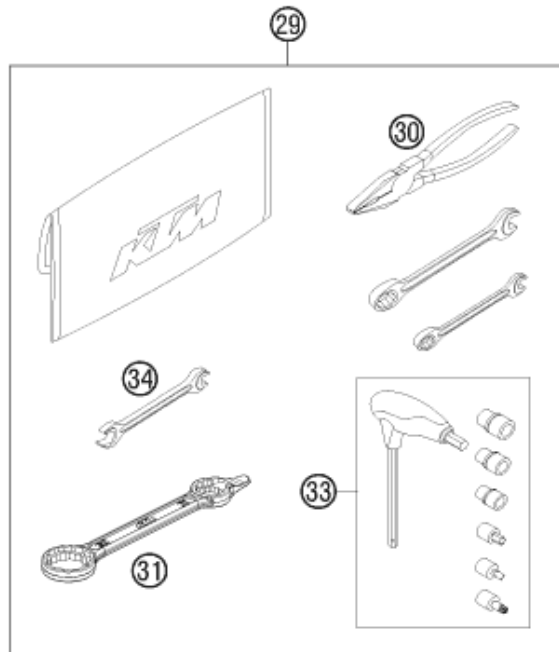
C127751430

* NEW PART

X ON DEMAND

0
OHNE ABBILDUNG
WITHOUT ILLUSTRATION

1
TECHNISCHE DOKUMENTATION
TECHNICAL DOCUMENTATION
DOCUMENTACION TECNICA
DOCUMENTATION TECHNIQUE
NOTE TECNICHE



| POS | PARTNUMBER | PARTNAME | PIECE |
|-----|---------------|--------------------------------|-------|
| 0 | 312313 | KTM BALLPOINT PEN ORANGE | 1 |
| 0 | 3210039 | * CUSTOMER WELCOME LETTER | 1 |
| 0 | 312305 | DOCUMENTS BAG 2006 | 1 |
| 0 | 78003040033 | FOOTREST L/S + R/S CPL. 09 | 1 |
| 0 | 77311053000 | BATTERY 12V 3AH YTX4L-BS | 1 |
| 0 | 58411098100 | CONTACT WASHER M6 VSV-K6 | 2 |
| 0 | 0025050126 | HH COLLAR SCREW M5X12 TX30 | 2 |
| 0 | 77203094000 | PLASTIC FRAME PROTECTION SET | 1 |
| 0 | 00062030019 | AIR FILTER OIL 100ML | 1 |
| 0 | 58412080000 | REFLECTOR RED LC4 '98 | 1 |
| 0 | 0019080206S | FLAT HEAD SCREW M. ISA45 M8X20 | 1 |
| 0 | 77405009065 | PLUG SCREW M12X1,25 WS17 | 1 |
| 0 | 58012040000 | REAR MIRROR L/S | 1 |
| 0 | 58012140000 | REAR MIRROR R/S | 1 |
| 0 | 58012040150 | CLAMP FOR MIRROR '94 | 2 |
| 0 | 77229072000 | SPARK PLUG WRENCH | 1 |
| 0 | 00063004202 | PRINT LABEL 60X51 MM | 2 |
| 0 | 77112099000 | ACCESSORIES FLASHER | 1 |
| 0 | 78108016050 | NUMB.PLATE CARRIER BOTTOM | 1 |
| 0 | 50033029013 | FRONT SPROCKET 13-T | 1 |
| 0 | 7810297900004 | % HANDGUARDS CPL.LE+RI ORANGE | 1 |
| 0 | 77202002144 | BAR PAD CPL. | 1 |
| 0 | 3212319DE/GB | POWER WEAR POCKET FOLDER 2011 | 1 |
| 0 | 3212321DE/GB | PP OFFROAD POCKET FOLDER 2011 | 1 |
| 0 | 3212352DE/GB | KTM CAMPS FOLDER 2011 | 1 |
| 0 | 54809081060 | FRONT AXLE PULL 26MM 04 | 1 |
| 0 | 50313082200 | *BRAKE PAD RETAINING PIN | 1 |
| 0 | SXS08125610 | BLEEDER VALVE SET | 1 |
| 0 | 77403190000 | ENGINE GUARD PLASTIC CPL. | 1 |
| 0 | 77239974000 | MAP SWITCH SET | 1 |
| 0 | 5481006110004 | BRAKE DISC GUARD REAR ORANGE | 1 |
| 0 | 52000091 | STICKER FRONT FORK-SET WP 48 | 1 |
| 0 | 81211096000 | DUMMY PLUG AN 4-PIN | 1 |
| 0 | 0025060306 | HH COLLAR SCREW M6X30 TX30 | 2 |
| 0 | 81212016000 | WASH CAP SET | 1 |
| 1 | 3211721EN | OWN.MAN. 350 EXC-F/XCF-W 2012 | 1 |
| 29 | 54829099100 | TOOL KIT 2012 | 1 |
| 30 | 53012028200 | GRIP ORANGE B&F | 1 |

125482000

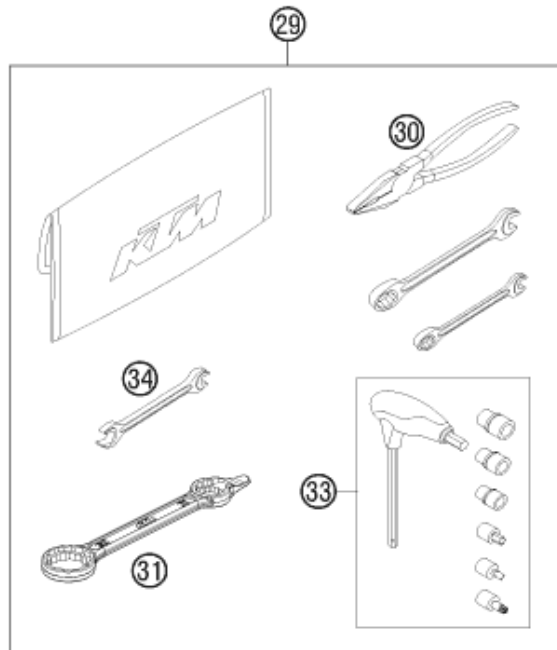
C127752005

* NEW PART

X ON DEMAND

①
OHNE ABBILDUNG
WITHOUT ILLUSTRATION

①
TECHNISCHE DOKUMENTATION
TECHNICAL DOCUMENTATION
DOCUMENTACION TECNICA
DOCUMENTATION TECHNIQUE
NOTE TECNICHE



| POS | PARTNUMBER | PARTNAME | PIECE |
|-----|-------------|-------------------------------|-------|
| 31 | 50329080100 | WRENCH SW=17/21/27/32 B&F | 1 |
| 33 | 60029070300 | T-WRENCH WS=6/8/10/TX45/SK4X1 | 1 |
| 34 | 50329072000 | SPOKE-SPANNER WS 7/10 | 1 |

125482000

C127752005

* NEW PART

X ON DEMAND

A large, empty rectangular box with a thin black border, occupying the majority of the page. It is intended for the user to write their notes.

A large, empty rectangular box with a thin black border, occupying the majority of the page. It is intended for handwritten notes.

WWW.KTM.COM



KTM-Sportmotorcycle AG
5230 Mattighofen, Austria
www.ktm.com



KTM_POWERPARTS

KTM_POWERWEAR

KTM_ORIGINAL SPARE PARTS



3CF 8203L2EN

Art. Nr.: 3CF 8203L2EN 8. Jan 2013