

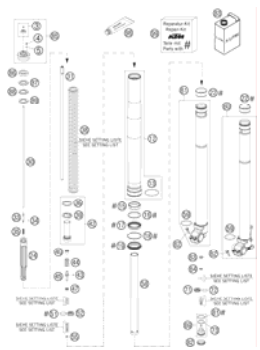
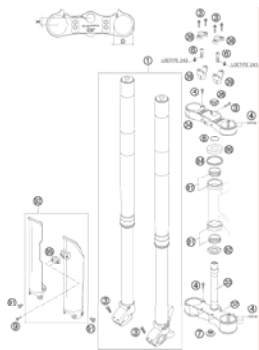
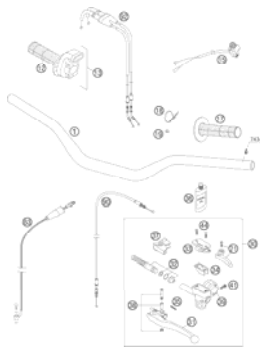
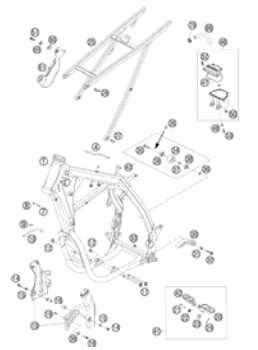
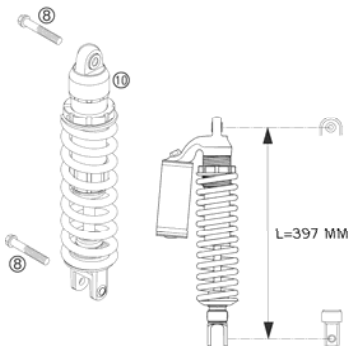
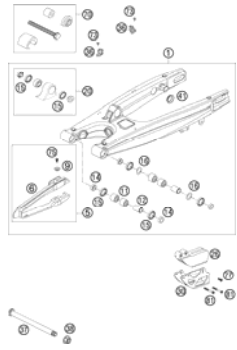
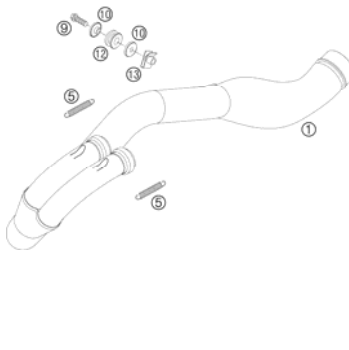
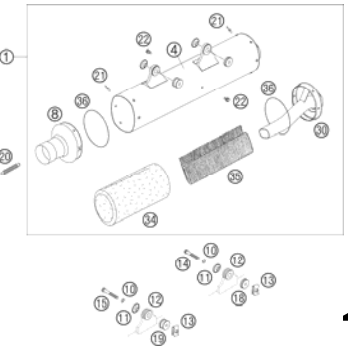
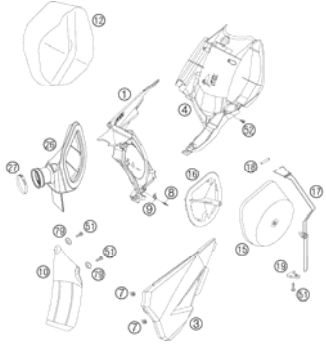
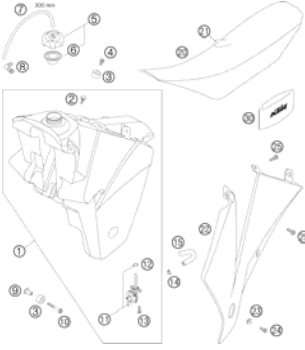
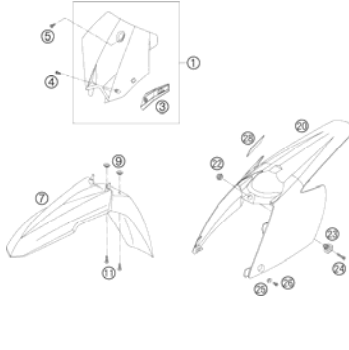
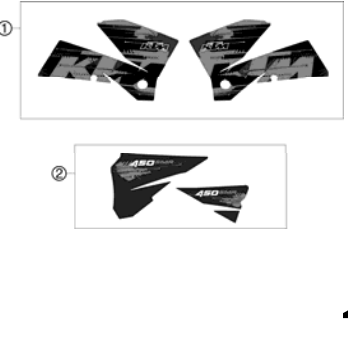
## SPARE PARTS MANUAL: CHASSIS

ART.NO.: 3CF8403G0EN

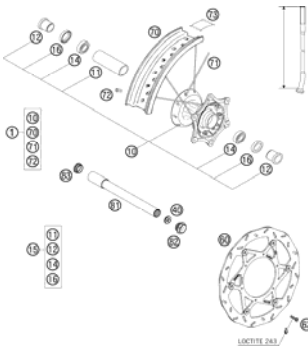
ENGLISH





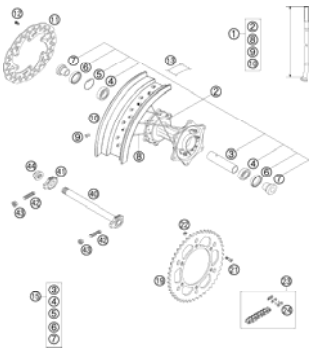
<p><b>FRONT FORK DISASSEMBLED</b></p>  <p><b>3</b></p>	<p><b>FRONT FORK</b></p>  <p><b>5</b></p>	<p><b>HANDLEBAR, CONTROLS</b></p>  <p><b>6</b></p>	<p><b>FRAME, SUB FRAME</b></p>  <p><b>7</b></p>
<p><b>MONOSHOCK</b></p>  <p><b>9</b></p>	<p><b>SWINGARM</b></p>  <p><b>10</b></p>	<p><b>MANIFOLD</b></p>  <p><b>11</b></p>	<p><b>SILENCER</b></p>  <p><b>12</b></p>
<p><b>AIR FILTER BOX</b></p>  <p><b>13</b></p>	<p><b>TANK, SEAT, COVER</b></p>  <p><b>14</b></p>	<p><b>MASK, FENDERS</b></p>  <p><b>15</b></p>	<p><b>DECAL</b></p>  <p><b>16</b></p>

**FRONT WHEEL**



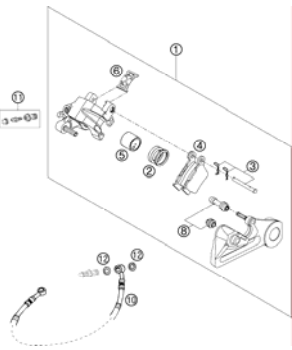
**17**

**REAR WHEEL**



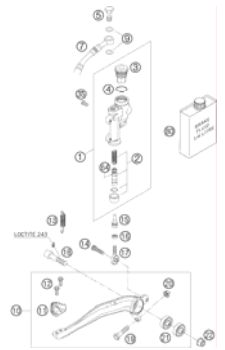
**18**

**REAR BRAKE CALIPER**



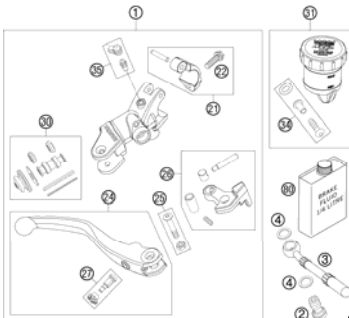
**19**

**REAR BRAKE CONTROL**



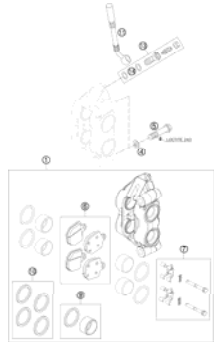
**20**

**HAND BRAKE CYLINDER**



**21**

**BRAKE CALIPER FRONT**



**22**

**ACCESSORIES**



**23**



All information contained is without obligation. KTM-Sportmotorcycle AG particularly reserves the right to modify any equipment, technical specifications, prices, colors, shapes, materials, services, service work, constructions, equipment and the like so as to adapt them to local conditions or to cancel any of the above items, all without previous announcement and without giving reasons. KTM may stop manufacturing certain models without previous notice. KTM shall not be held liable for any deviations of availability and/or ability to deliver, illustrations, descriptions, printing and/or other errors. The illustrated models partly contain extra equipment, which is not applied to standard models. © by KTM-SPORTMOTORCYCLE AG, Mattighofen AUSTRIA; All rights reserved; Reprint, also in extracts, with written allowance of KTM-SPORTMOTORCYCLE AG, Mattighofen only.

# FRONT FORK DISASSEMBLED

450 SMR 2007

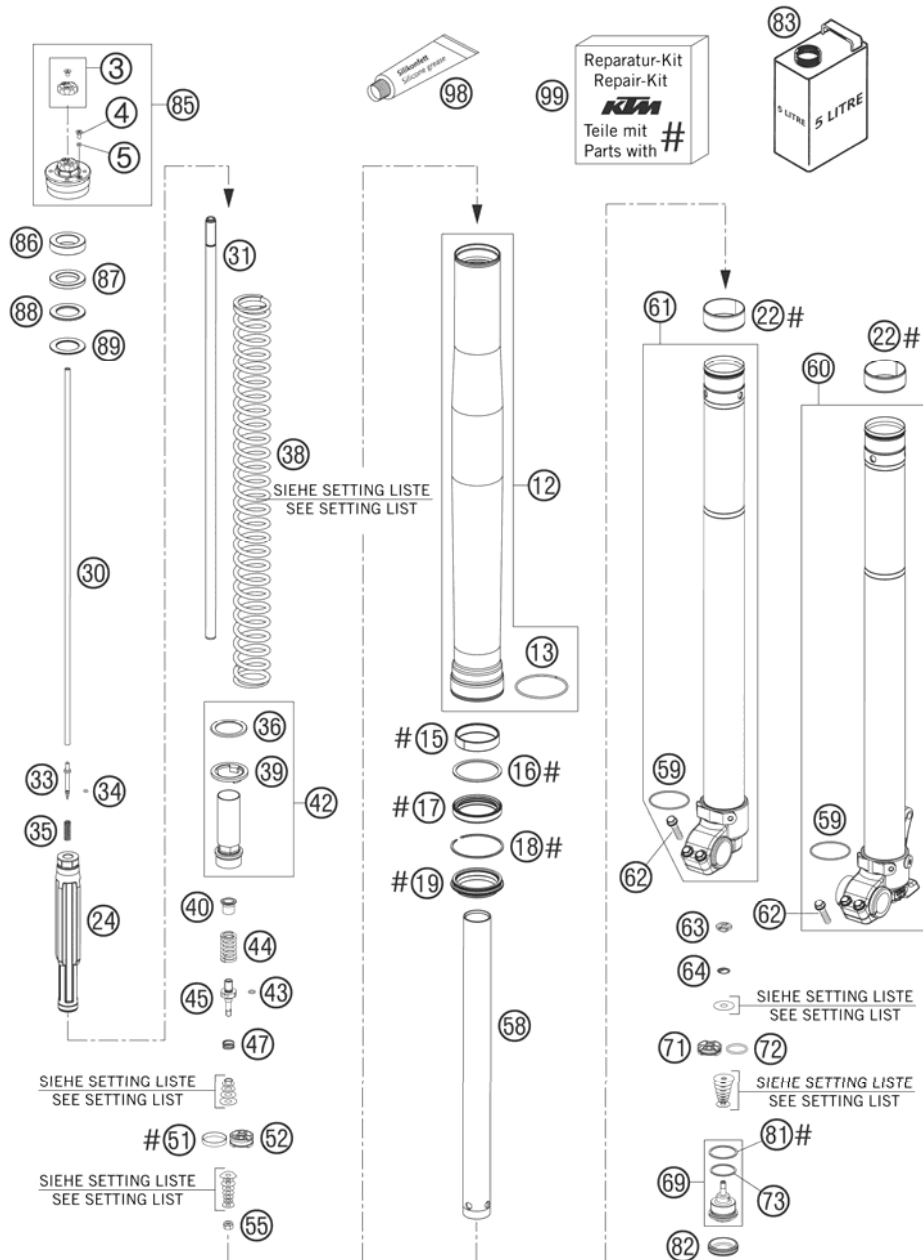


FIG	PART NUMBER	DESCRIPTION	QTY
3*	48600564S	SETTING KNOB + SCREW	2
4*	48600481	VENT SCREW M4X8	2
5*	48600009	O-RING NBR 3,7X1,6	2
12	48600492E	OUTER TUBE L=577 D=54/60	2
13	48600016	GUIDING RING D=58MM	2
15	48600429	DU-BUSH D48XD52X12DDL02	2
16	48600013	SUPPORT RING 50 X 57,6 X 1,5	2
17	48600399	OIL SEAL RING 48X57,8X9,5	2
18	48600070	LOCK WASHER SB58	2
19	48600400	DUST CAP D=48 58,4X11,8	2
22	48600428	DU-BUSH D47XD49X20DDL02	2
24*	48600557S	HYDR.STOP L=200 D=31,9 CPL. 07	2
30*	48600559	ADJUSTING TUBE L=520 07	2
31*	48600568	PISTON ROD D=12 L=554 ALU	2
33*	48600277	ADJUSTER NEEDLE 07	2
34*	48600298	O-RING 2X1,5 NBR	2
35*	48600444	REBOUND SPRING C=4N/MM	2
36	48600113	WASHER 32X42X2,5	2
38	91410006S	SPRING 4,4N/MM SET D=5,1MM	x
38	91410019S	SPRING 4,6N/MM SET D=5,1MM	x
38	91410020S	SPRING 4,8N/MM SET D=5,25 MM	x
39	48600021	INTERM. RING 26,2 X 43 X 3	2
40*	48600525	GUIDING BUSH REBOUND SPRING	2
42*	48600556S	SCREW SLEEVE M29,3X1 L=90 CPL.	2
43*	48600299	O-RING 6X1,2 NBR	2
44*	48600511	REBOUND SPRING L=32 C=17	2
45*	48600513	TAP REBOUND 07	2
47	35480377	SPRING CHECK VALVE D=0,5	2
51	48600060	PISTON RING 5X1X84	2
52	48600042	PISTON REBOUND D=27,7	2
55	40540486	NUT M6X0,5 REBOUND	2
58	48600081	TUBE 29,3X1X390 D=8,5MM	2
59	48600048	O-RING NBR 46 X 2	2
60*	48600402S1	AXLE CLAMP L/S + TUBE CPL. 07	1
61*	48600238S1	AXLE CLAMP R/S + TUBE CPL. 07	1
62	0015080253	HH COLLAR SCREW M 8X25 WS=10	4

075900151 / C075900152

\* NEW PART

X AS REQUIRED

# FRONT FORK DISASSEMBLED

450 SMR 2007

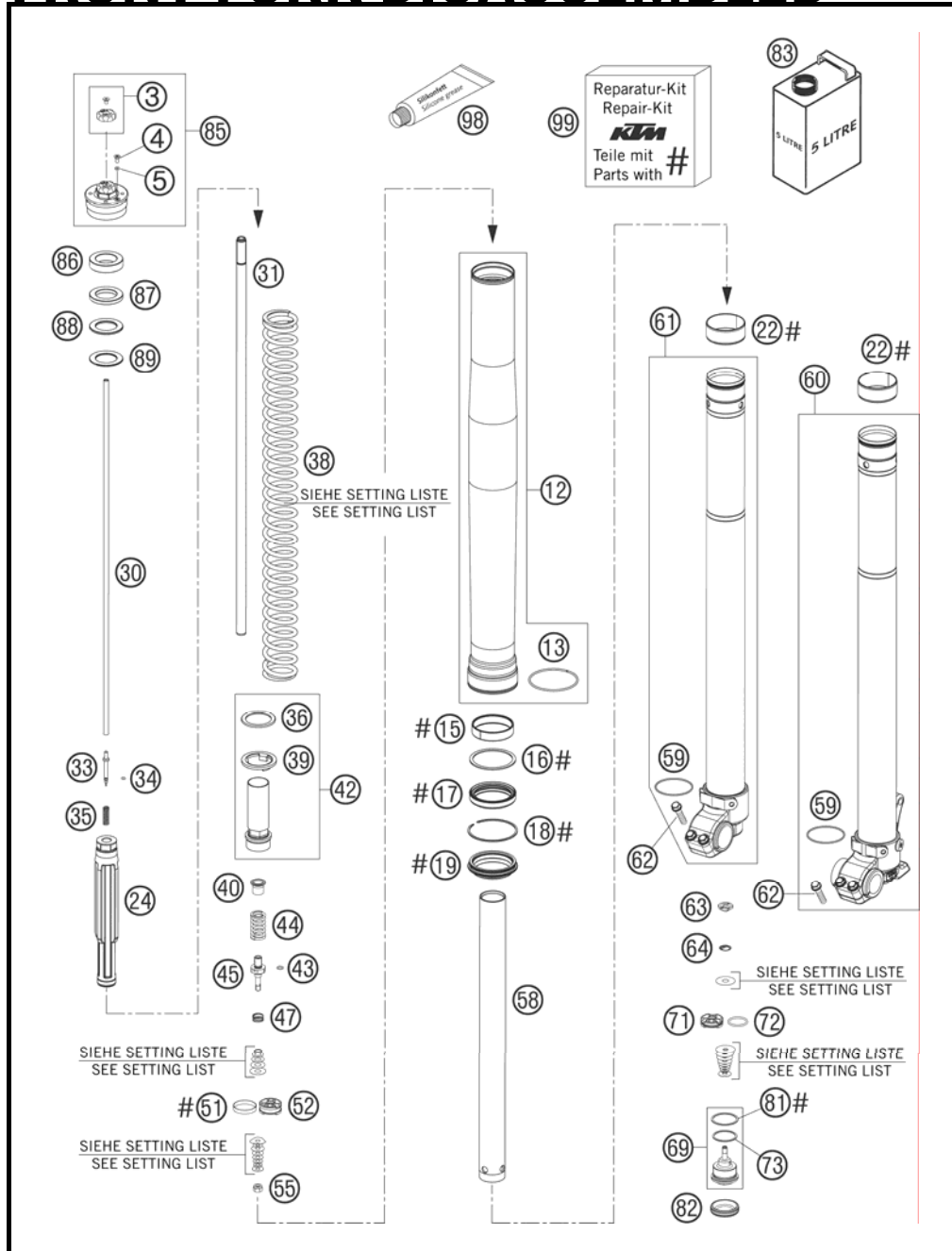


FIG	PART NUMBER	DESCRIPTION	QTY
63	48600163	CHECK VALVE NUT M6X0,5 D=2	2
64	48600202	SPRING CHECK VALVE D=0,7	2
69*	48600586S	TAP COMPRESSION CPL. 07	2
71	48600047	PISTON COMPRESSION D=27,9	2
72	46811499	O-RING NBR 21X2	2
73	35480320	O-RING NBR 24X2	2
81	48600004	COPPER WASHER 29,5X33,5X1	2
82	48600141	RUBBER CAP D=35MM	2
83	48600401S1	FORK OIL SAE 5 2005	1
85*	48600431S1	PRE-LOAD ADJ. M51X1,5 CPL. 07	2
86	48600038	SPACER 42X26,5X10	2
87	48600037	SPACER 42X26,5X5	2
88	48600036	SPACER 42X26,5X2,5	2
89	48600053	SPACER 42X26,5X1,5	2
98	T511	SILICONE GREASE F. DUST STRI	1
99	R14013	REPAIR-KIT GASKET 4860 MXMA 06	1

075900151 / C075900152

\* NEW PART

X AS REQUIRED



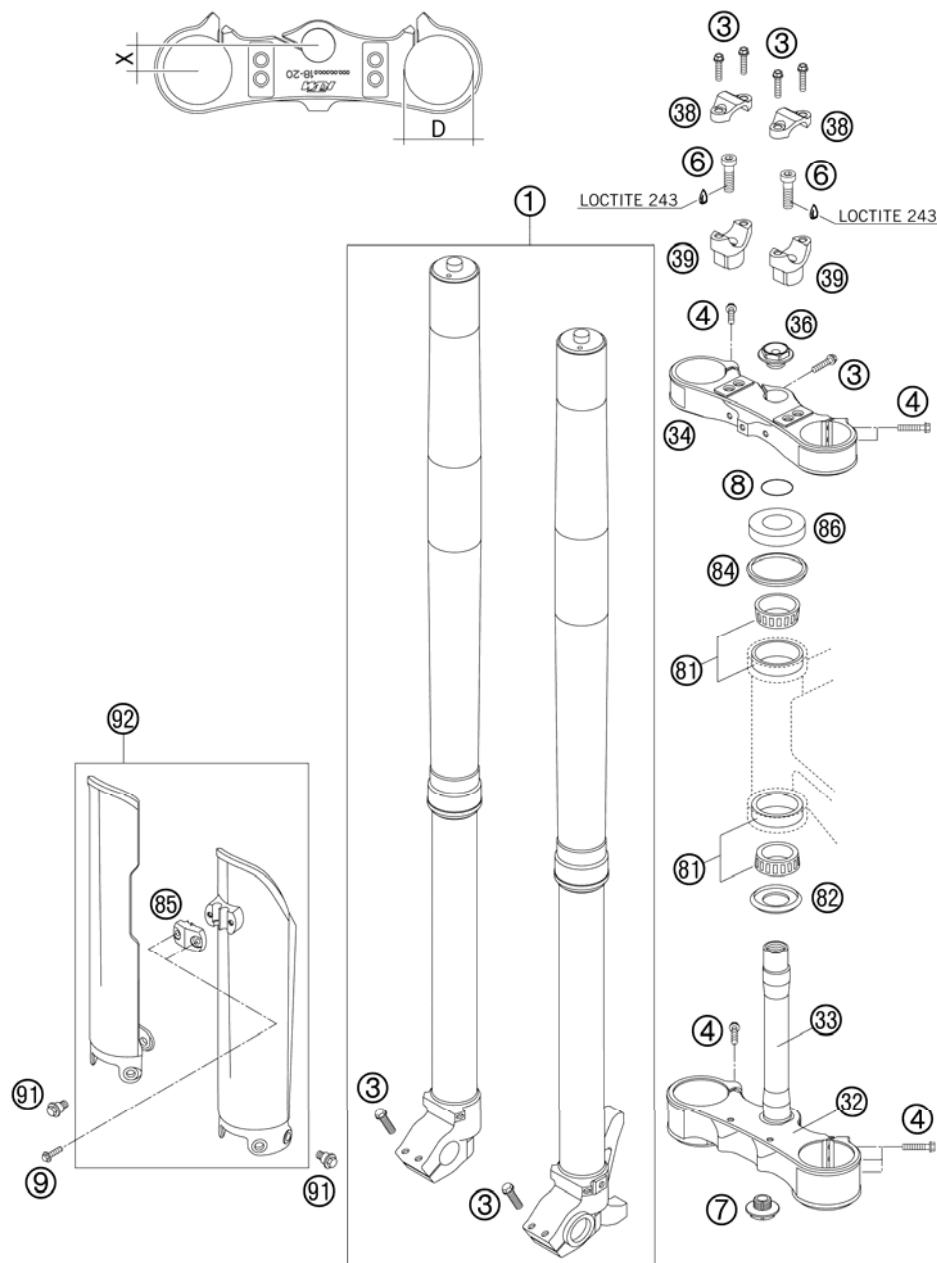


FIG	PART NUMBER	DESCRIPTION	QTY
1*	14187C18	FRONT F.WP D=48MM450/560SMR 07	1
3	0015080256S	HH COLLAR SCREW M8X25 WS=10 06	9
4	0015080353	HH COLLAR SCREW M 8X35 WS=10	10
6	0912100356	AH SCREW DIN6912-M10X35 10.9	2
7	54801036100	STE.HEAD SCR. M20X1,5 WS=27 SL SELF-LOCKING	1
8	0770025035	O-RING 25X3,55 NBR70 05	1
9	0017060204	EJOT PT SCREW K60X20 ALU WS=6	2
32*	59401031115	BOTTOM TRIPLE CLAMP 14-16	1
33	59401033000	FORK TUBE L=237MM 05	1
34*	59401034115	TOP TRIPLE CLAMP 14-16 OFFSET	1
36	54801036000	STEER.HEAD SCREW M20X1,5 WS=27	1
38	59401038000	HANDLEBAR CLAMP 28MM 05	2
39	59401039032	HANDLEB.SUPP. D=28MM H=32MM 05	x
39	59401039037	HANDLEB.SUPP. D=28MM H=37MM 05	2
39	59401039042	HANDLEB.SUPP. D=28MM H=42MM 05	x
81*	54201081100	TAPERED ROLLER BEARING CPL. 06	2
82	54601084100	O-RING SUPPORT W. SEALING LIP	1
84	54601184000	STEERING HEAD GASKET TOP	1
85	5900108510004	CLAMP F.SPEED.CABLE ORANGE 06	1
86	54201086000	STEERING HEAD COVER	1
91	59001092050	SPECIAL SCREW M6X12,5 WS=8	6
92	5900109400004	FORK PROT. L/S +R/S ORG 02	1

075930100 / C075930100

\* NEW PART

X AS REQUIRED

# HANDLEBAR, CONTROLS

450 SMR 2007

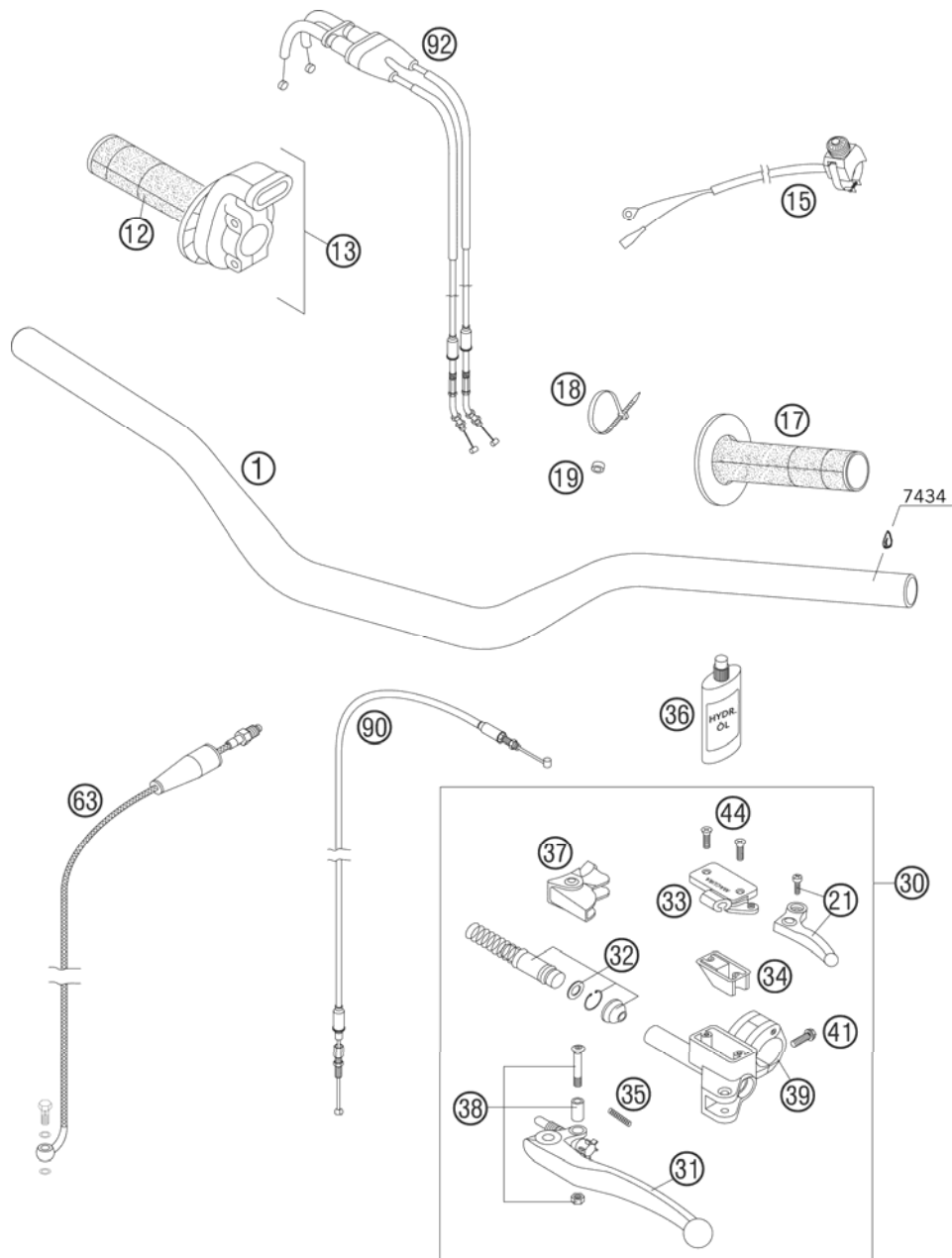


FIG	PART NUMBER	DESCRIPTION	QTY
1*	5480200120017	HANDLEBAR D=28 MM RENTHAL 796	1
12	54802013000	TWIST GRIP COVER RENTHAL 04	1
13	59402010000	THROTTLE GRIP CPL. RACING 2004	1
15	50311089200	SHORT CIRCUIT BUTTON 02	1
17	54802039000	FIXED GRIP RENTHAL 04	1
18	44011076100	CABLE TIE 100/2,5MM BLACK	x
18	44011076200	CABLE TIE 200/3,6MM BLACK	x
19	50301089000	SPACER BUSHING 6X10X5	1
21	59002047000	DECO.LEVER CPL. RACING 2000	1
30	59002030200	MASTER CYLINDER CPL. RACING 04	1
31	54602031000	CLUTCH LEVER SHORT CPL. 2003	x
31	59002031000	CLUTCH LEVER LONG CPL. 2003	1
32	59002032100	REP.KIT PISTON 9,0MM RAC. 2004	1
33	59002033000	COVER HYD.CLUTCH RACING 2000	1
34	50302034000	RUBBER FOR RESERVOIR '98	1
35	59002035000	SPRING FOR CLUTCH LEVER 03	1
36	50302036200	OIL FOR HYD. CLUTCH 75ML	1
37	50302037000	PROTECT.CAP FOR LEVER PERCH'98	1
38	50302038000	LEVER SCREW CPL. 125-200 '98	1
39	50302030150	CLAMP WITH PIN 2000	1
41	0015060203	HH COLLAR SCREW M 6X20 WS=8	1
44	0965040123	FLAT HEAD SCREW DIN0965-M 4X12	2
63	59032063100	CLUTCH PIPE RACING 2003	1
90	59002094000	DECOMPR. CABLE RACING 2000	1
92	59002091300	THR.CABLE"OPEN-CLOSE"KEIHIN 02	1

065930200 / C075930200

\* NEW PART

X AS REQUIRED



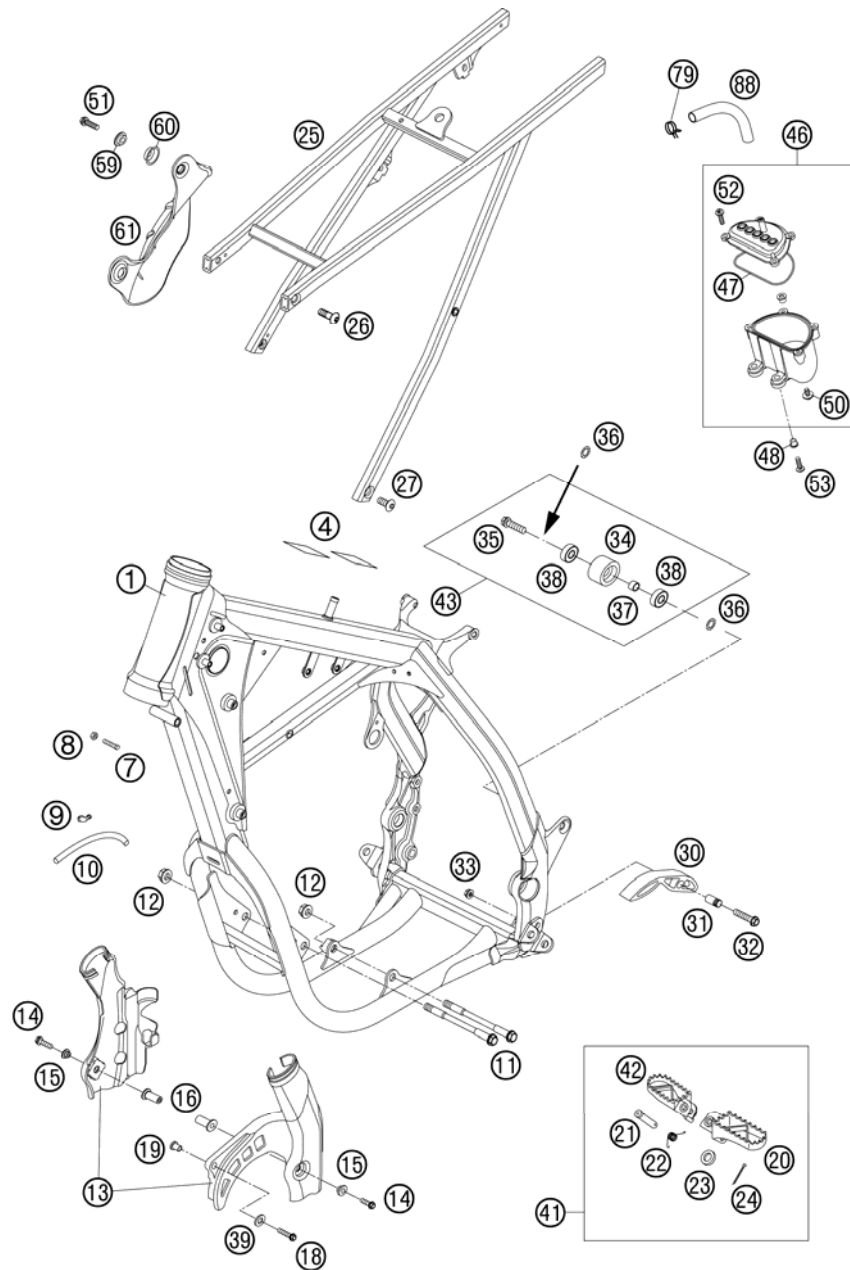


FIG	PART NUMBER	DESCRIPTION	QTY
1*	5940320100030	FRAME SMR "DE07" 07	1
4	50307012000	ADH. FOIL TRANSP. 80X80 MM 04	2
7	59001037000	SPECIAL SCREW M8X26 WS=10	2
8	0934080003	HEXAGON NUT DIN0934-M 8	2
9	50303089000	ANGEL PIECE '97	1
10	55007016001	PVC-HOSE 7X10 PER METER	1
11	59003013000	ENGINEBRAC.SCREW M10X123 WS=13	2
12	54310086100	SELF LOCKING NUT M10 CU WS=14	2
13	54803094100	FRAME PROTECTION SET 05	1
14	0014050253	HH COLLAR SCREW M 5X25 WS=6	2
15	54803092060	BUSH F. FRAME PROTECTION 03	2
16	54803092050	BLIND PLUG-IN NUT M5 WN 22A 03	2
18	0015060353	HH COLLAR SCREW M 6X35 WS=8	1
19	59030060050	BUSHING F. SPROCKET COVER RAC.	1
20	59003040250	FOOT PED L/S SILVER 02	1
21	54803044000	BOLT FOR FOOT PED 03	2
22	54603041000	FOOTREST SPRING L/S & R/S	2
23	0125100003	WASHER DIN0125-A10,5	2
24	0094032253	PIN DIN0094-3,2X25 STEEL	2
25	59403002244	SUB FRAME CPL. SX RAC. "G5" 05	1
26	54510052100	SPROCKET SCREW-AH M8X26 WS=6	2
27	54610052000	SPROCKET SCREW-AH M8X20 WS=6	2
30	51103053000	CHAIN SLIDING PIECE BELOW '97	1
31	51103053051	BUSHING 8,2X10X20	1
32	0015080353	HH COLLAR SCREW M 8X35 WS=10	1
33	54310086200	SELF LOCKING NUT M8 10.9	1
34	50203053000	CHAIN ROLL D=30MM	1
35	0015080303	HH COLLAR SCREW M 8X30 WS=10	1
36	36003014000	LOCK WASHER 8MM	2
37	74003021000	BUSHING 8.2 X 12 X 6	1
38	0625006087	GROOVED BALL BEAR. 608 2RS C3	2
39	0125060003	WASHER DIN0125-A 6,4	1
41*	5030314013390	FOOTREST L.+R. CPL. 03	1
42	59003041250	FOOT PED R/S SILVER 02	1
43*	50203053010	CHAIN ROLL 30MM CPL. 06	1
46	59431096000	INTERCEPTING TANK CPL. 2004	1

075930300 / C075930300

\* NEW PART

X AS REQUIRED

# FRAME, SUB FRAME

450 SMR 2007

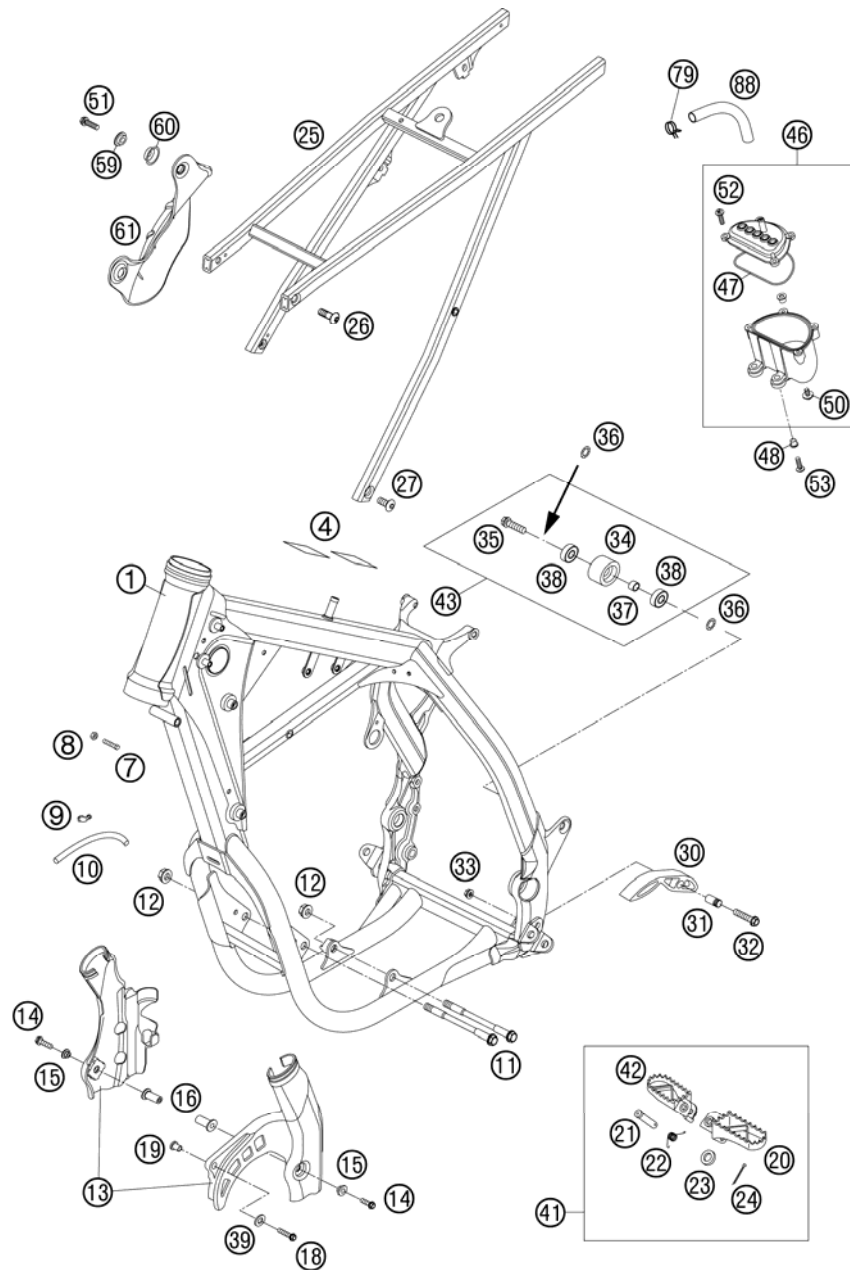


FIG	PART NUMBER	DESCRIPTION	QTY
47	0770800021	O-RING 80,00X2,00 VITON	1
48	58314060050	SPACER BUSH. F. SPEEDOMET.BRA.	2
50	0014060103	HH COLLAR SCREW M 6X10 WS=8	1
51	0015060203	HH COLLAR SCREW M 6X20 WS=8	1
52	0017060203	EJOT PT SCREW K60X20 WS=6	4
53	0014060253	HH COLLAR SCREW M 6X25 WS=8	2
59	50308052000	BUSH FOR SPOILER 6X11X16X5 MM	1
60	72210079000	BUCKET	1
61	59405011000	HEAT SHIELD 04	1
79	58431082100	YDNAC-CLAMP 10173 (16MM) '98	1
88	59031050100	ENGINE BREATHER TUBE 00	1

075930300 / C075930300

\* NEW PART

X AS REQUIRED

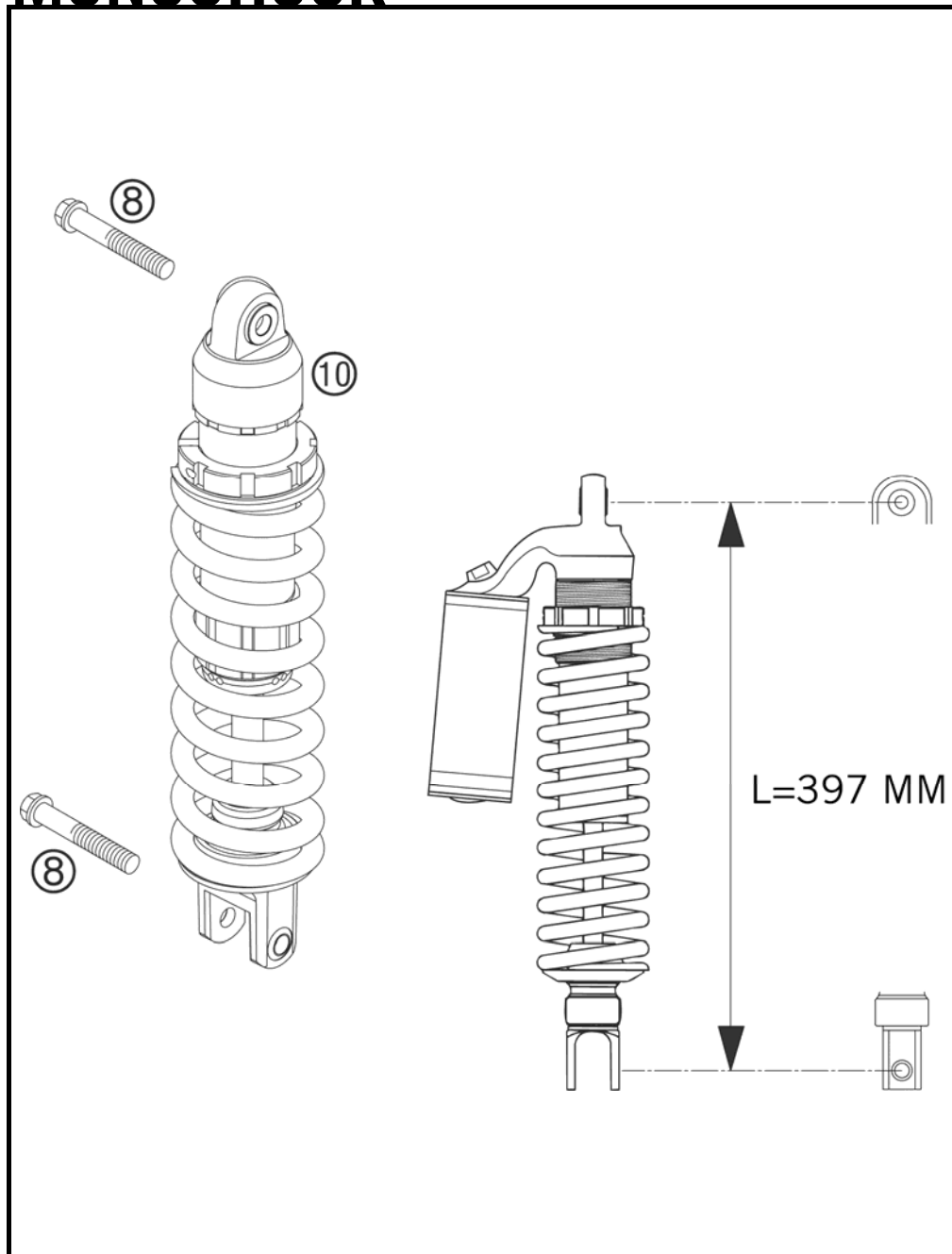


FIG	PART NUMBER	DESCRIPTION	QTY
8	0015120556S	HH COLLAR M12X55 WS=13 06	2
10*	12187C15	MONOSHOCK WP 450/560 SMR 07	1

065930400 / C075930400

\* NEW PART

X AS REQUIRED

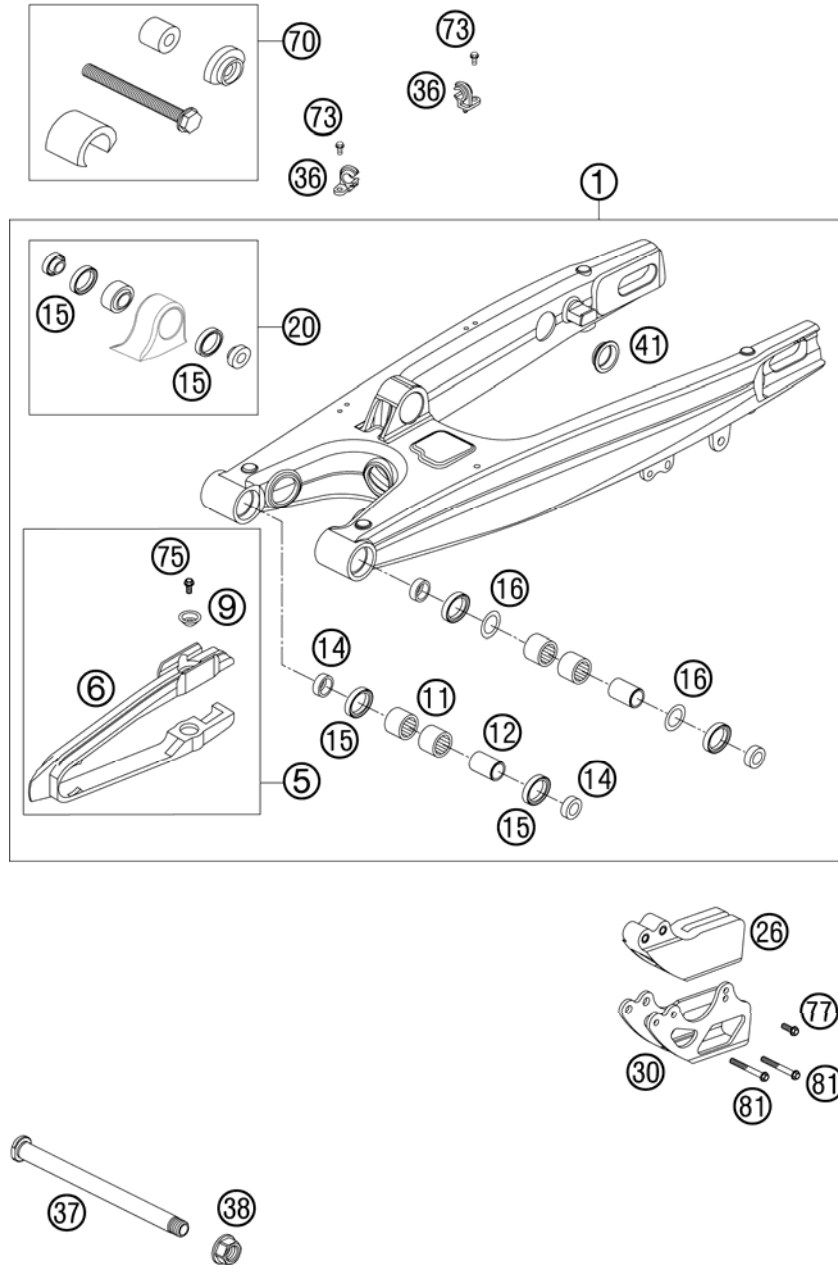


FIG	PART NUMBER	DESCRIPTION	QTY
1	59404230144	SWINGARM CPL. 05	1
5*	50304066110	CHAIN GUARD CPL. 05	1
6	50304066100	CHAIN GUARD 05	1
9	72210079000	BUCKET	2
11	59004031100	NEEDLE BEARING HK2212V	4
12	59404032000	BEARING SLEEVE 17X22X38,7 03	2
14	54804034000	BUCKET F. SHAFT SEAL RING 03	4
15	0760253270	SHAFT SEAL RING 25X32X7	6
16	54603036000	STOP DISK 22,2X31,7X1	2
20	50304090044	PIVOT BEARING+BUSHES PDS '99	1
26	54607066100	CHAIN GUIDE REAR '94	1
30	54607070144	RETAINING PLATE CPL.	1
36	54611076100	RETAIN.CLAMP FOR BRAKE HOSE'96	2
37	54804037000	SWINGARM BOLT M16X1,5 03	1
38	54804038000	SELF LOCK.NUT M16X1,5 WS=19 03	1
41	58404041100	CLOSING COVER ROUND 03	5
70	50329000044	TOOL BEARING MOUNTING PDS	1
73	0009050103	SPECIAL SCREW M 5,0X10	2
75	0015060103	HH COLLAR SCREW M 6X10 WS=8	2
77	0015060163	HH COLLAR SCREW M 6X16 WS=8	1
81	0015060503	HH COLLAR SCREW M 6X50 WS=8	2

075930408 / C075930408

\* NEW PART

X AS REQUIRED

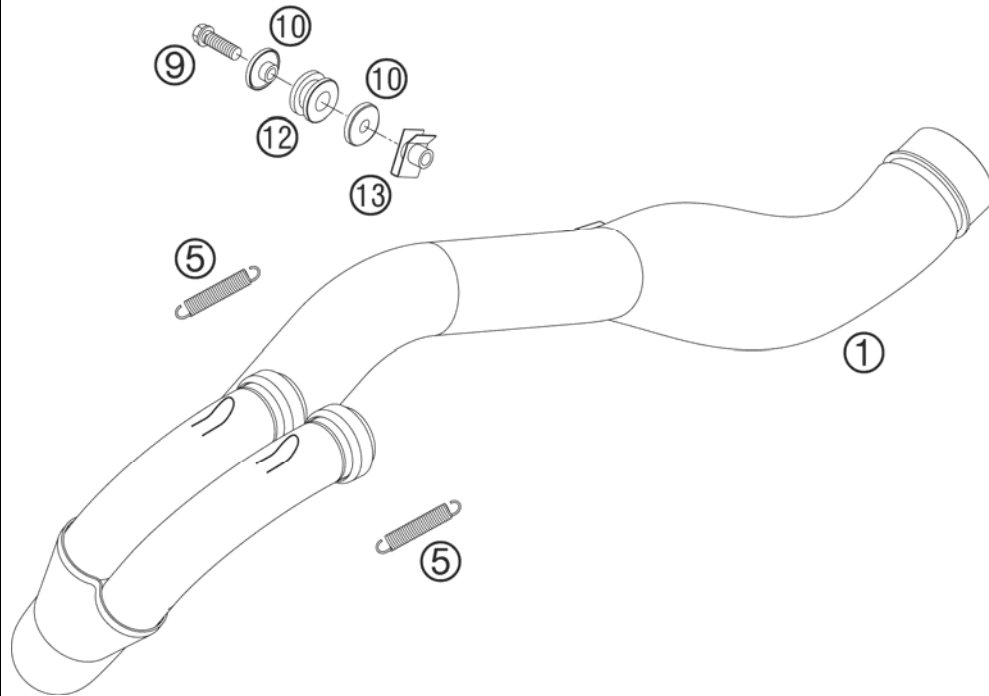


FIG	PART NUMBER	DESCRIPTION	QTY
1	59405007300	EXHAUST PIPE 450 SMR "A" 04	1
5	50305016000	TEN.SPRING L=62MM EY.MOVEABLE	2
9	0015080253	HH COLLAR SCREW M 8X25 WS=10	1
10	59405069000	BUSHING FOR EXHAUST SUPPORT 03	2
12	54605068000	EXHAUST BRACKET RUBBER BLACK	1
13	54603048000	RANGE CHANGE METAL NUT M8	1

05590050 / C065930502

\* NEW PART

X AS REQUIRED

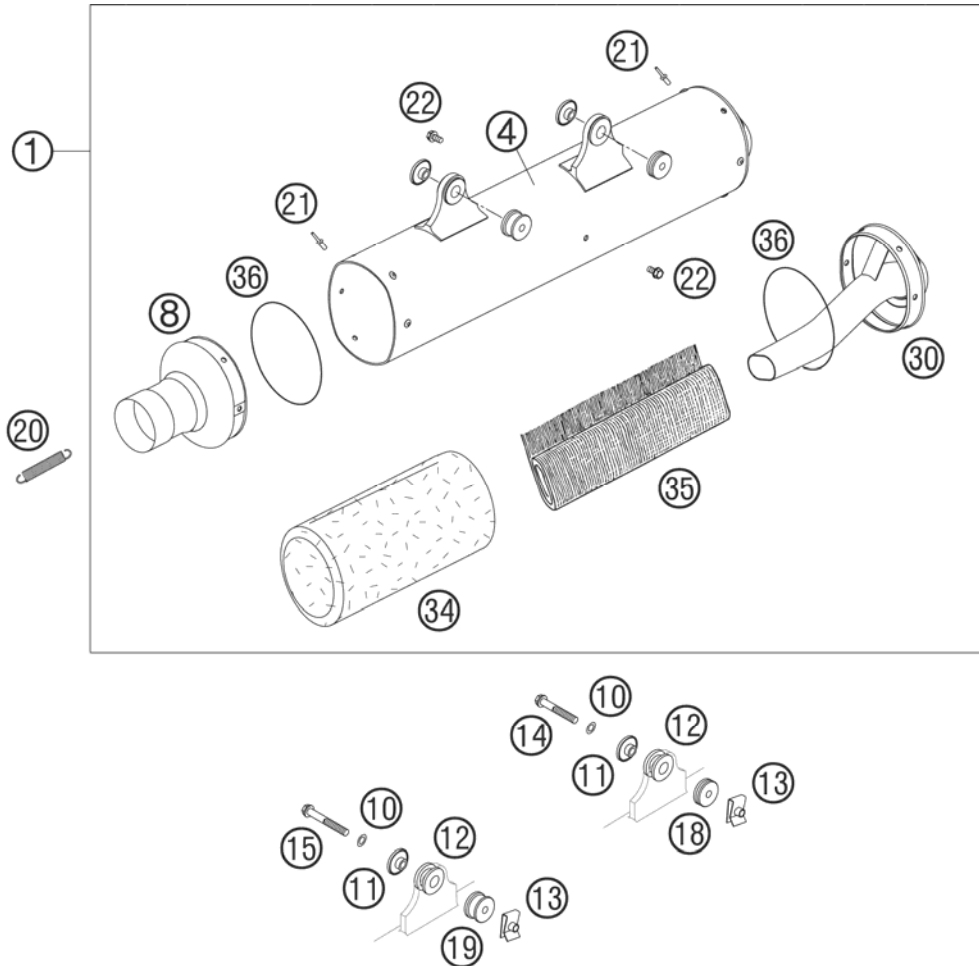


FIG	PART NUMBER	DESCRIPTION	QTY
1	59405079200	EXHAUST SILENCER SMR 05	1
4	59005081550	SILENCER HOUSING EXC 04	1
8	59405079009	SILENCER CONNECT. CAP CPL.03	1
10	0137060003	SPRING WASHER DIN0137-B 6	2
11	54605069000	BUSHING 7,5X12X28X7,8 '96	2
12	54605068000	EXHAUST BRACKET RUBBER BLACK	2
13	54603048100	RANGE CHANGE METAL NUT M6	2
14	0015060403	HH COLLAR SCREW M 6X40 WS=8	1
15	0015060453	HH COLLAR SCREW M 6X45 WS=8	1
18	59405169000	BUSHING SIL.-SMR REAR 2004	1
19	59405269000	BUSHING SIL.-SMR FRONT 2004	1
20	50305016000	TEN.SPRING L=62MM EY.MOVEABLE	2
21*	0011480800	DUMMY RIVET 4,8X 8 NIRO	12
22	0009050103	SPECIAL SCREW M 5,0X10	2
30	59005081606	ENDCAP EXC CPL. UNTHROTTLED 04	1
34	58705078350	STUFFINGYARN 350 GRAMM '99	1
35	59005078076	STUFFING YARN 560X340X76G 04	1
36	0770740015	O-RING 74,00X1,50 FKM 75SH	2

065930501 / C075930501

\* NEW PART

X AS REQUIRED

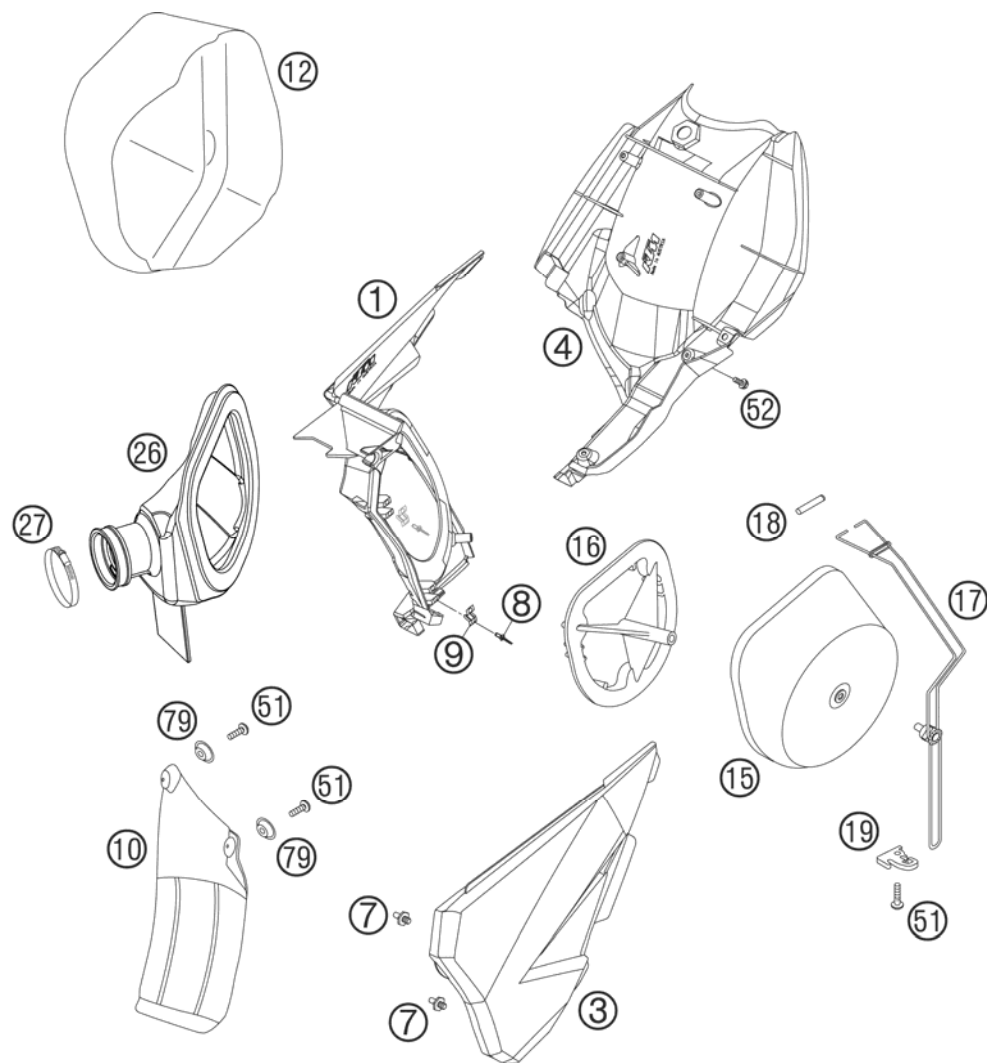


FIG	PART NUMBER	DESCRIPTION	QTY
1	54806001051	FILTER WALL 03	1
3	54806003000	FILTER BOX COVER 03	1
4	54806001052	REAR PART FILTER BOX 03	1
7	54806008051	QUICK RELEASE-NIPPLE 03	2
8	54806108052	BLIND RIVET 3,3X9,7 GROOVED 04	4
9	54806008050	QUICK RELEASE-SPRING HANGER	2
10	50306010000	FENDER FOR FILTER BOX '98	1
12	50306012000	THROTTLE CAP 125-380EGS CPL.98	x
15	59006015000	AIR FILTER RACING 2001	1
16	59006016000	FILTER CARRIER RAC. 2001	1
17	50306017000	FILTER SUPPORT CPL.2-STROKE'98	1
18	50306018000	FILTER SUPPORT BUSH 125-380'98	1
19	50306019000	FASTEN. DEVICE FILTER SUPPORT	1
26	59406026000	CARBURETOR CONNECTION BOOT	1
27	46005058000	HOSE CLAMP 40-60MM	1
51	0017060203	EJOT PT SCREW K6X20 WS=6	3
52	0009050103	SPECIAL SCREW M 5,0X10	1
79	72210079000	BUCKET	2

065930600 / C075930600

\* NEW PART

X AS REQUIRED

# TANK, SEAT, COVER

450 SMR 2007

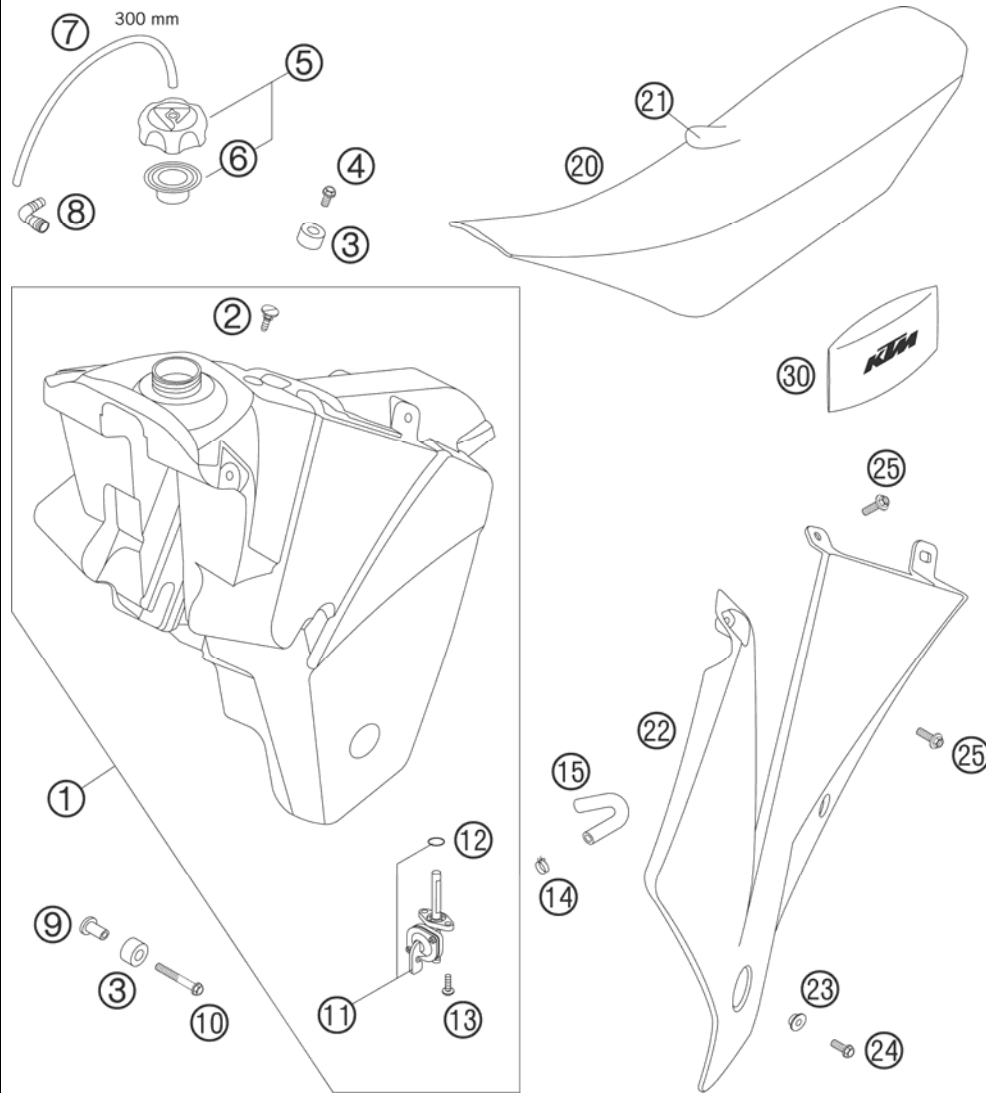


FIG	PART NUMBER	DESCRIPTION	QTY
1	5900711300004	FUEL TANK CPL. SX 6,5L 03	1
2	50307011000	SCREW SEAT FASTENING D=6X23/18	1
3	50307014000	TANK ROLLER 12X26X12 '98	3
4	0015060123	HH COLLAR SCREW M 6X12 WS=8	1
5	59007008044	FILLER CAP CPL. WITH VALVE	1
6	59007009000	GASKET FOR FILLER CAP HIGH	1
7	31007107001	PVC-HOSE 6X9 MM PER METER	x
8	51030022000	ANGLE PIECE 90 DEGREE M10X1	1
9	59003001055	SUPORT BUSHING TANKROLLER	2
10	0015060453	HH COLLAR SCREW M 6X45 WS=8	2
11	50307005000	GAS COCK MIKUNI ON/OFF 2001 CK-81	1
12	0770130023	O-RING 13,00X2,30	1
13	0017060203	EJOT PT SCREW K60X20 WS=6	2
14	58031005000	CLAMP YDNAC 10128 12MM	2
15	59007016000	FUEL HOSE 7,5X13MM	1
20	54807040400	SEAT BLACK WITHOUT KTM-LOGO 05	1
21	54807040450	SEAT COV.BLACK WITHOUT LOGO 05	1
22	5480805000004	SPOILER L/S ORANGE 05	1
22	5480805100004	SPOILER R/S ORANGE 05	1
23	50308052000	BUSH FOR SPOILER 6X11X16X5 MM	2
24	0015060203	HH COLLAR SCREW M 6X20 WS=8	2
25	0017060204	EJOT PT SCREW K60X20 ALU WS=6	8
30*	77029099100	TOOL KIT 07	1

065900700 / C075900700

\* NEW PART

X AS REQUIRED



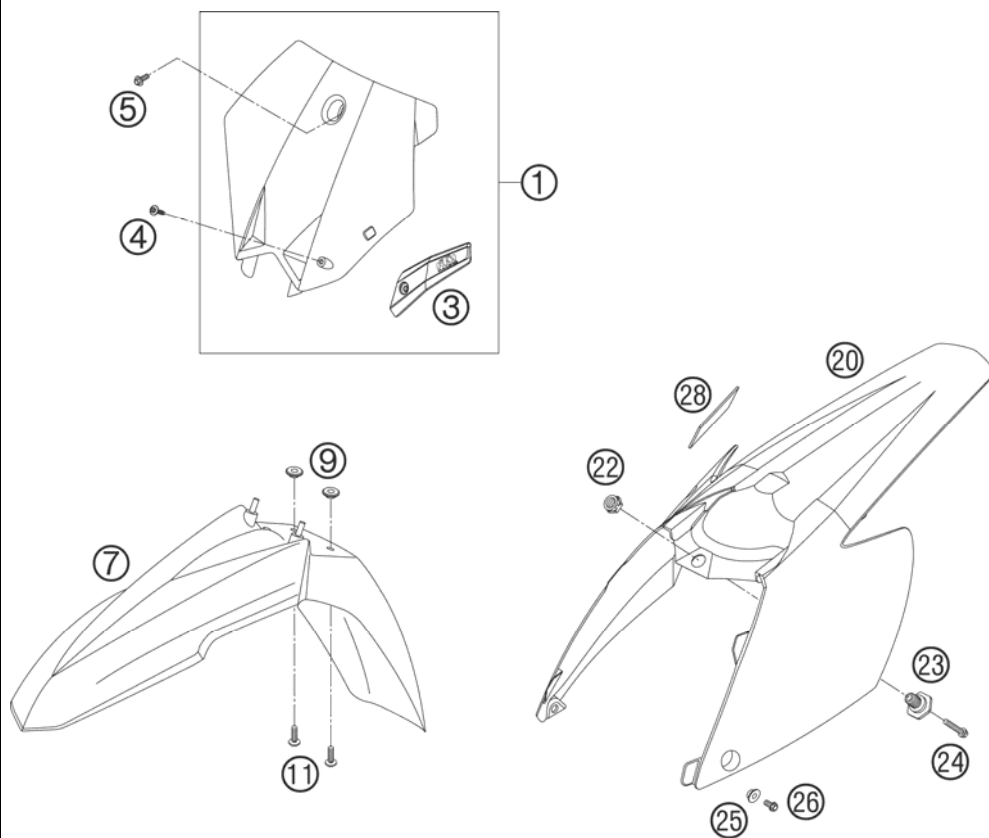


FIG	PART NUMBER	DESCRIPTION	QTY
1	5480800701004	NUMBER PLATE CPL. ORANGE 03	1
3	54808019000	BRAKE HOSE GUIDE BLACK 03	1
4	0017060204	EJOT PT SCREW K60X20 ALU WS=6	1
5	0014060153	HH COLLAR SCREW M 6X15 WS=8	1
7	5030801020004	FENDER FRONT ORANGE 02	1
9	54808020000	SPACER BUSHING 03	4
11	0014060203	HH COLLAR SCREW M 6X20 WS=8	4
20	5480801300004	REAR PART SX ORANGE 03	1
22	50314057050	COLLAR NUT M12X1/WS17 H=5MM	1
23	54807048000	BUSHING FOR SEAT FASTENING 03	1
24	0015060253	HH COLLAR SCREW M 6X25 WS=8	1
25	50308052000	BUSH FOR SPOILER 6X11X16X5 MM	1
26	0015060163	HH COLLAR SCREW M 6X16 WS=8	1
28	59003001099	METAMOLL 90X45X3MM 03	1

05593080 / C065930800

\* NEW PART

X AS REQUIRED

FIG	PART NUMBER	DESCRIPTION	QTY
1*	59008090100	SPOILER DECAL SMR 2007	1
2*	59408191900	DISPLACEM.STICKER 450 SMR 07	1

①



②



075930801 / C075930801

\* NEW PART

X AS REQUIRED

# FRONT WHEEL

450 SMR 2007

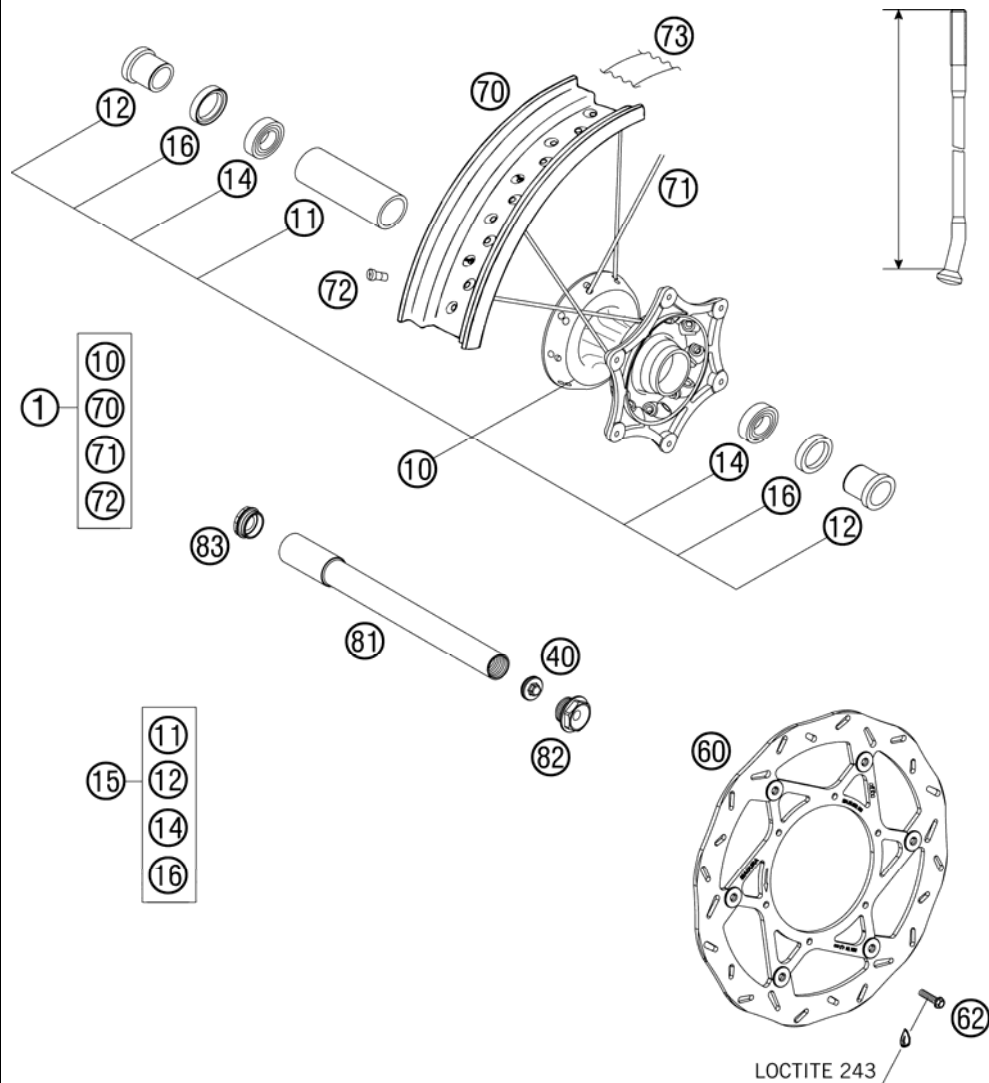


FIG	PART NUMBER	DESCRIPTION	QTY
1*	59409001044	FRONT WHEEL 3,5X17" SMR 07	1
10*	77309010044	FRONT HUB SX CPL. 07	1
11	54809011000	BEA.SPACERTUBE 35X2 L=79,4 03	1
12*	77309012000	SPACER BUSHING 07	2
14	0625069068	GR.BALL BEAR.6906 DDU2CG23S6NM	2
15*	77309015000	FRONT WHEEL REP. KIT	1
16	0760354771	SHAFT SEAL RING 35X47X7 TC	2
40	54809081070	AUXILIARY SCREW FRONT 06	1
60*	59409060100	BRAKE DISC FRONT 310MM SMR 07	1
62	59009062016	SPECIAL SCREW M6X16 WS=8 10.9	6
70*	59409070000	RIM FRONT 3,5X17" SMR 07	1
71	50309071175	SPOKE M4,5X175-15G 17" DDE	36
72	50309072000	SPOKE NIPPLE M4,5X0,75 8X21	36
73	58309073000	RIM BAND 17"	1
81*	77309081000	WHEEL SPIN.FR. D=26 M24x1,5 07	1
82	54809082000	SPINDLE SCREW M24X1,5 WS=27 03	1
83	54809081050	PLUG BUSHING WS=27 03	1

075930900 / C075930900

\* NEW PART

X AS REQUIRED

# REAR WHEEL

450 SMR 2007

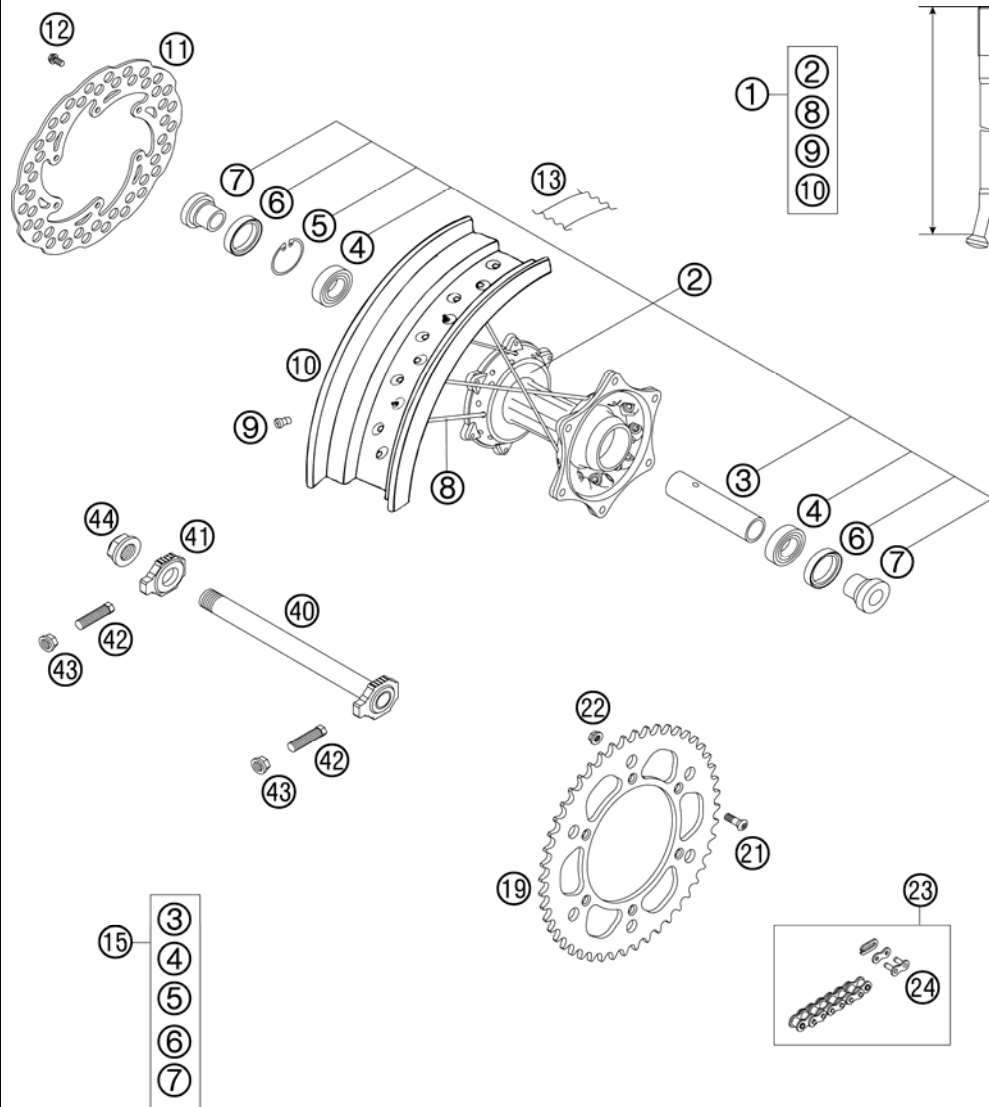


FIG	PART NUMBER	DESCRIPTION	QTY
1*	59410001044	REAR WHEEL 5X17" SMR 07	1
2*	77310010044	REAR HUB SX CPL. 07	1
3	59010011000	BUSHING SPACER TUBE 121,5MM 01	1
4	0625060058	GR.BALL BEAR.6005 DDU2CG23S6NM	2
5	0472047175	CIRCLIP DIN0472-47X1,75	1
6	0760324771	SHAFT SEAL RING 32X47X7 BSL	2
7	54610016000	BUSHING FOR HUB	2
8	58309171100	SPOKE M5X177-13,5G 17"	36
9	58309072000	SPOKE NIPPLE M5-TA (8X21MM)	36
10*	59410070000	RIM 5X17" SMR 07	1
11*	54810060100	BRAKE DISC REAR D=220MM 05	1
12	59009062013	SPECIAL SCREW M6X13 WS=8 10.9	6
13	58309073000	RIM BAND 17"	1
15*	77310015000	REAR WHEEL REP. KIT	1
19	58310051038	REAR SPROCKET 38-T	x
19	58310051042	REAR SPROCKET 42-T	x
19	58310151040	REAR SPROCKET 40-T	x
19	58310151045	REAR SPROCKET 45-T	x
19	58310151048	REAR SPROCKET 48-T	x
19	58310151049	REAR SPROCKET 49-T	x
19	58310151050	REAR SPROCKET 50-T	x
19	58310151051	REAR SPROCKET 51-T	x
19	58310151052	REAR SPROCKET 52-T	x
21	54510052100	SPROCKET SCREW-AH M8X26 WS=6	6
22	54310086200	SELF LOCKING NUT M8 10.9	6
23	50310165118	CHAIN 5/8X1/4" MX 118 LINKS 118 ROLLS	1
24	50310166000	CONNECT. LINK FOR 50310165118	1
40	77310085044	WHEEL SPINDLE RE. CPL.265MM 07	1
41	50310084000	CHAIN TENSIONER R/S 2000	1
42	50304040100	SCREW M10X1,25X50 WS=10	2
43	58414030000	HH COLLAR NUT M10X1,25 WS=13	2
44	50310099000	HEXAGON NUT M20X1,5 '98	1

075931000 / C075931000

\* NEW PART

X AS REQUIRED

# REAR BRAKE CALIPER

450 SMR 2007

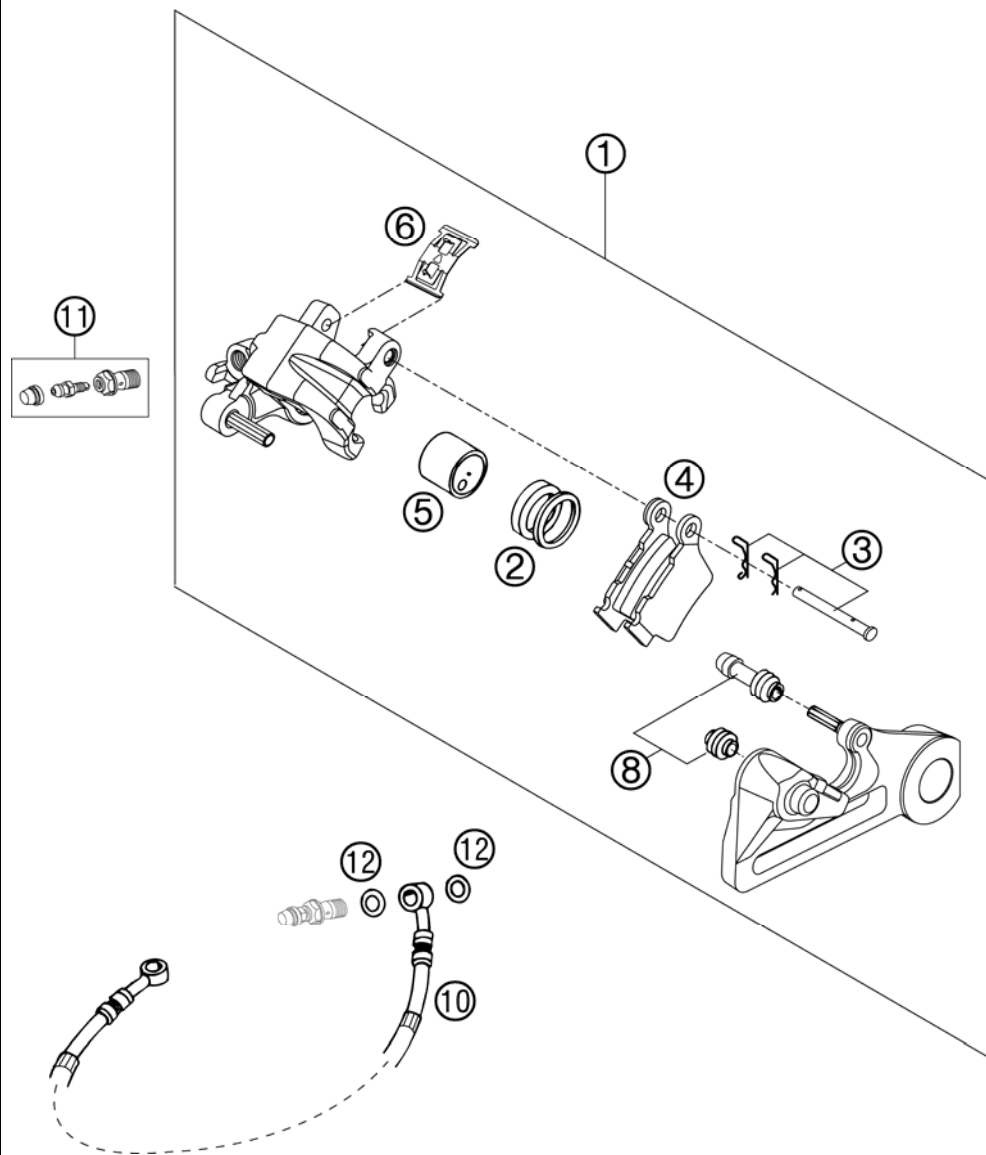


FIG	PART NUMBER	DESCRIPTION	QTY
1	54813080144	BRAKE CALIPER REAR CPL. 2005	1
2	50313081200	REPAIR KIT SEALING RINGS 26MM	1
3	54813082000	BOLT SET FOR BRAKE CALIPER 03	1
4	54813090300	BRAKE PAD SET REAR TOYO	1
5	54813083000	BRAKE PISTON 26MM 2003	1
6	54813018000	RETAINING SPRING SET 2003	1
8	54613218000	CUP SET SHORT	1
10	54813070000	BRAKE HOSE REAR 655MM 03	1
11	54813020000	BLEEDER HOLLOW SCREW M10X1	1
12	42013226000	CU-SEAL RING DIN7603-10X16X1	2

03590136 / C065901304

\* NEW PART

X AS REQUIRED

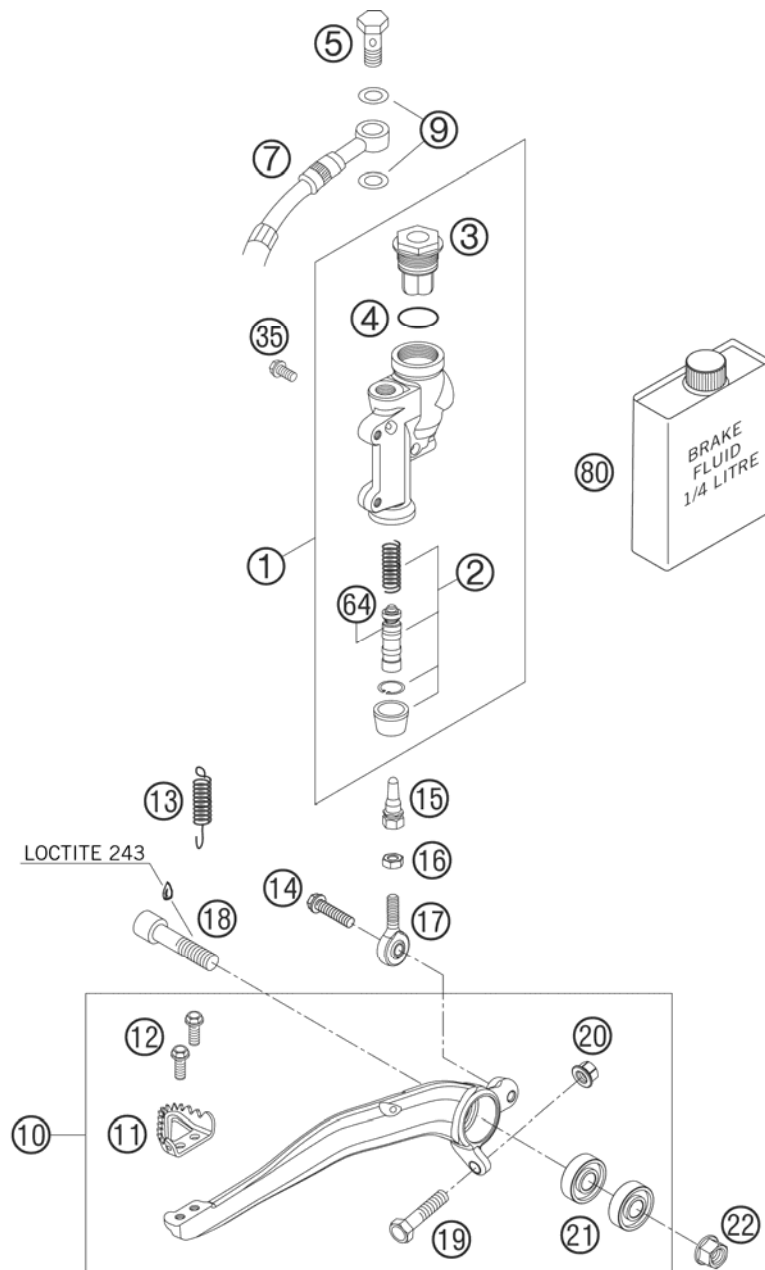


FIG	PART NUMBER	DESCRIPTION	QTY
1	54813060100	REAR BRAKE CYLINDER CPL. 2004	1
2	54813061200	REPAIR KIT PISTON 13MM 06	1
3	54813062100	REAR BRAKE CYL. COVER CPL. 04	1
4	54813063000	FOOT-BRAKE CYL. GASKET SX 03	1
5	54813020100	HOLLOW SCREW BLACK M10X1X19	1
7	54813070000	BRAKE HOSE REAR 655MM 03	1
9	42013226000	CU-SEAL RING DIN7603-10X16X1	2
10	54813050044	FOOT BRAKE LEVER CPL. 03	1
11	54813051000	STEP PLATE FOR BRAKE LEVER	1
12	0015050123	HH COLLAR SCREW M 5X12 WS=8	2
13	54603062000	RETURN SPRING FOR BRAKE LEVER	1
14	0015060203	HH COLLAR SCREW M 6X20 WS=8	1
15	54813056000	PUSH ROD L=28MM 03	1
16	0934060003	HEXAGON NUT DIN0934-M 6	1
17	54813055000	SWIVEL HEAD KA6 03	1
18	0912100406	AH SCREW DIN6912 M10X40 10.9	1
19	59001037000	SPECIAL SCREW M8X26 WS=10	1
20	46030045000	COLLAR NUT M8 WS=10	1
21	0625060002	BALL BEARING SKF 6000-2RS1	2
22	54630044000	COLLAR NUT M10 WS=13	1
35	0015060123	HH COLLAR SCREW M 6X12 WS=8	2
64	54813064200	BELLOWS FOR REPAIR KIT 06	1
80	306054	BRAKE FLUID DOT 4.0	1

065901305 / C075901305

\* NEW PART

X AS REQUIRED

# HAND BRAKE CYLINDER

450 SMR 2007

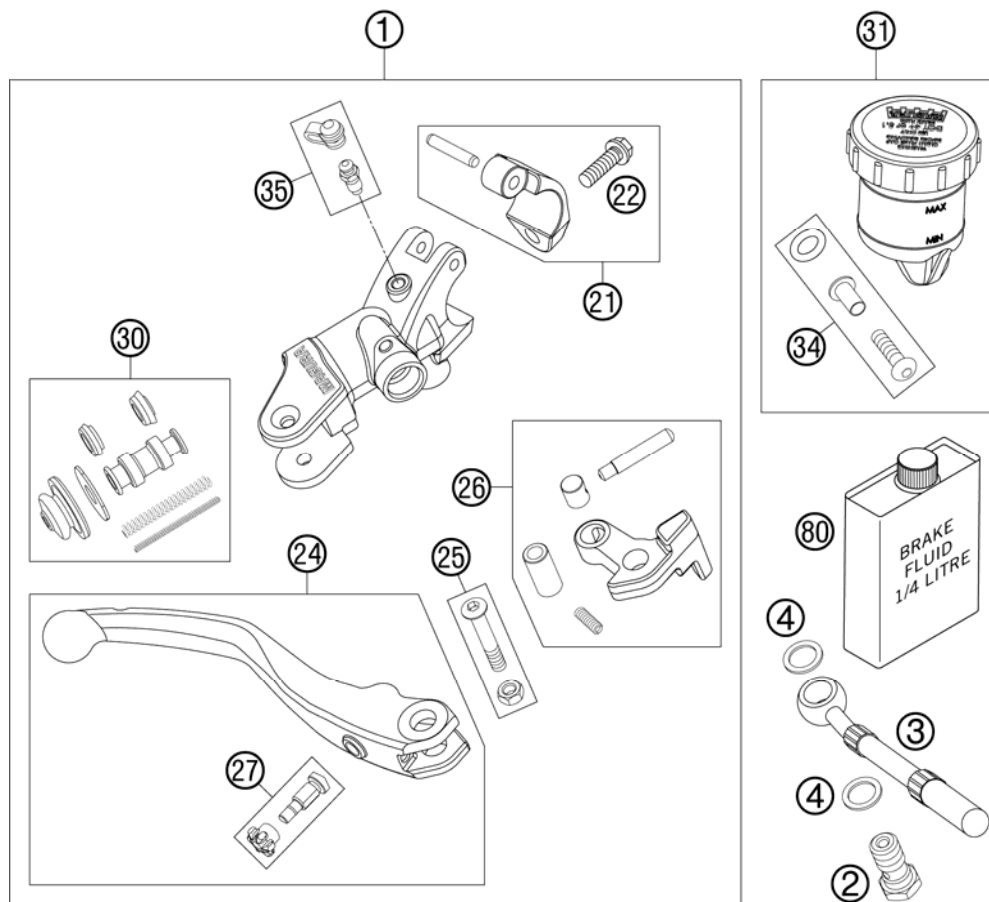


FIG	PART NUMBER	DESCRIPTION	QTY
1*	59413001100	HANDBRAKECYLINDER MAGURA 07	1
2*	59413013000	HOLLOW SCREW 2007	1
3*	59413012000	BRAKEHOSE FRONT 1160MM 07	1
4*	59413013050	COPPER GASKET SMR 2007	x
21*	59413005000	CLAMP 07	1
22	0015060163	HH COLLAR SCREW M 6X16 WS=8	1
24*	59413002144	HANDBRAKE LEVER CPL. 07	1
25*	61002038000	LEVER SCREW CPL. 05	1
26*	59413002150	ROCKER CPL. FOR BRAKE LEVER 07	1
27*	61002043000	ADJUSTING SCREW CPL.	1
30*	59413008000	REP. SET PISTON D=12MM 2007	1
31*	59413009000	BRAKE FLUID RESERVOIR CPL.2007	1
34*	59413009050	O-RING+SCREW+SLEEVE 07	1
35*	59413020000	BLEEDER SCREW WITH CAP	1
80	306054	BRAKE FLUID DOT 4.0	x

075931300 / C075931300

\* NEW PART

X AS REQUIRED

# BRAKE CALIPER FRONT

450 SMR 2007

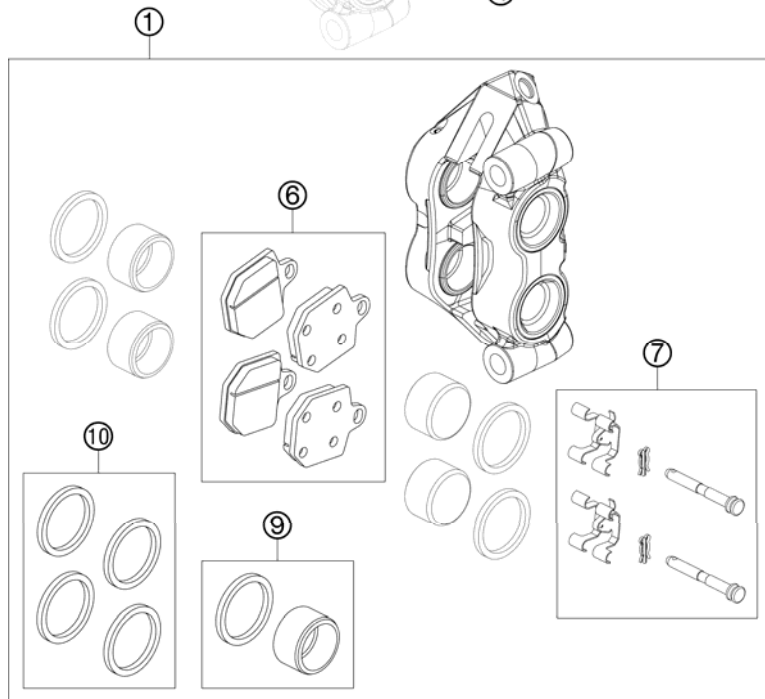
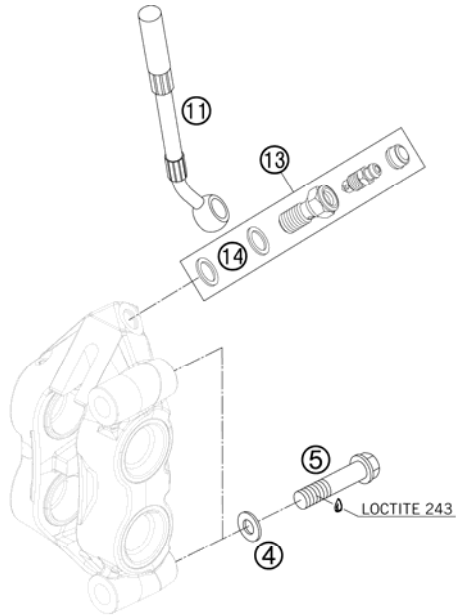


FIG	PART NUMBER	DESCRIPTION	QTY
1*	59413015200	BRAKE CALIPER FRONT MAGURA 07	1
4	58413049000	WASHER 10,2X20X2,5 MM 04	2
5*	0025100559	COLLAR SCREW M10X1,25X55 ISA	2
6*	59413030000	BRAKE PAD SINTER 07	1
7*	59413018000	FIXING FOR BRAKE PAD 07	1
9*	59413083000	PISTON WITH GASKET MAGURA 07	1
10*	59413021000	SEAL RING KIT CPL. MAGURA 07	1
11*	59413012000	BRAKEHOSE FRONT 1160MM 07	1
13*	50332062000	HOLLOW SCREW CPL. M 10X1 '98	1
14*	59413013050	COPPER GASKET SMR 2007	x

075931302 / C075931302

\* NEW PART

X AS REQUIRED





FIG	PART NUMBER	DESCRIPTION	QTY
0	312305	DOCUMENTS BAG 2006	1
0	312313	KTM BALLPOINT ORANGE	1
0	3210039	CUSTOMER WELCOME LETTER	1
0	3211145	OWNERS MANUAL 250-525 RAC. 07	1
0	3211152	OWN.MAN.ADD. 450/560 SMR 07	1
0	3CF8403G0EN	SPM CHASSIS 450 SMR 2007	1
0	3CM089228GEN	SPM MOTOR 450 SMR 07	1

070002000 / C075932000

\* NEW PART

X AS REQUIRED







KTM-Sportmotorcycle AG  
A-5230 Mattighofen  
[www.ktm.at](http://www.ktm.at)

KTM Group Partner



3CF8403G0EN



Art.Nr.: 3CF8403G0EN 8/2006