

# 450 EXC RACING EU 2007

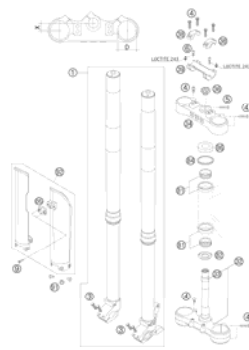
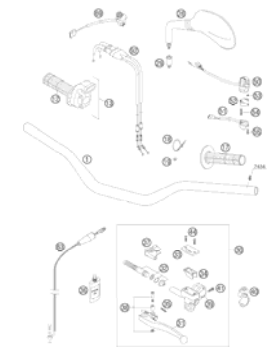
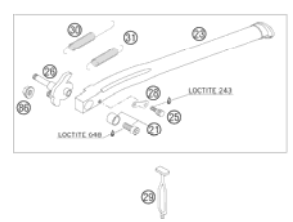

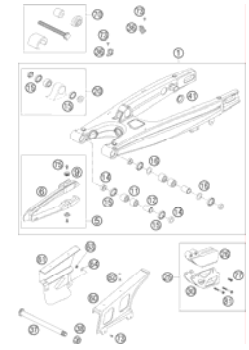
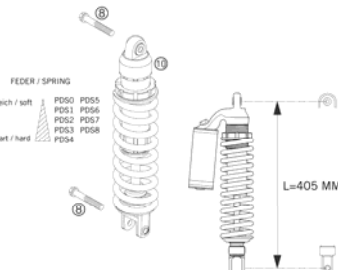
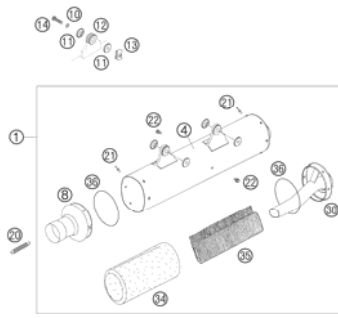
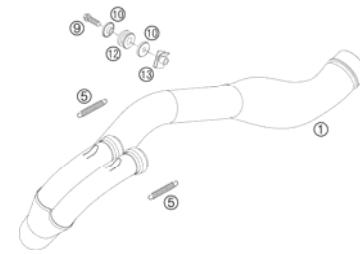
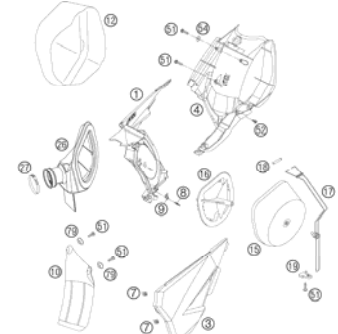
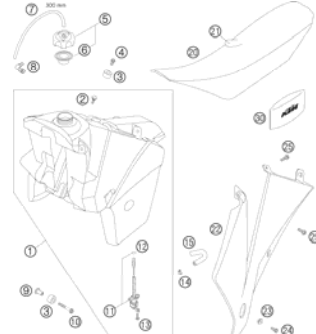
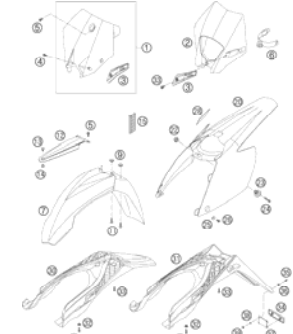

**SPARE PARTS MANUAL: CHASSIS**

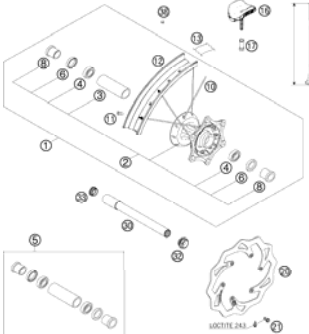
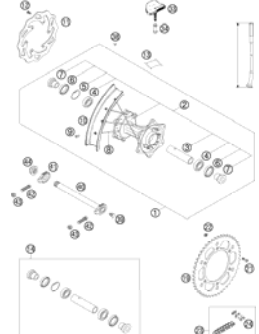

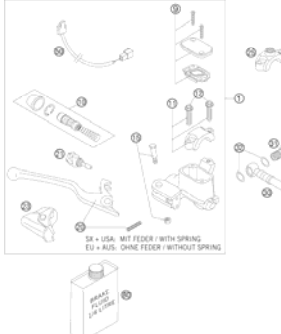
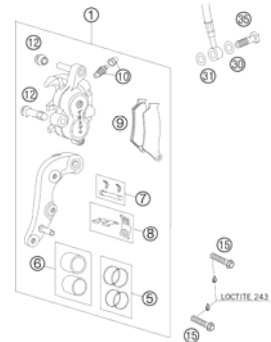
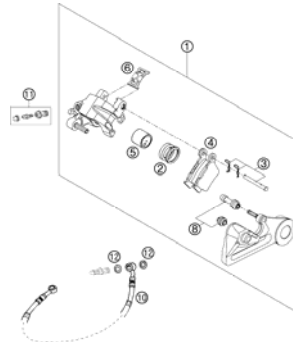
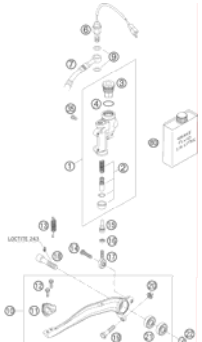
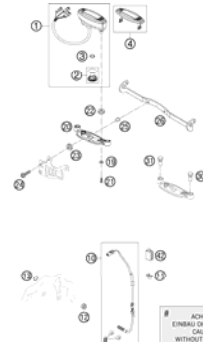
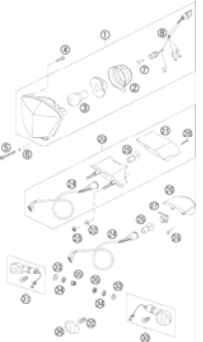

**ART.NO.: 3CF8403G3EN**


**ENGLISH**





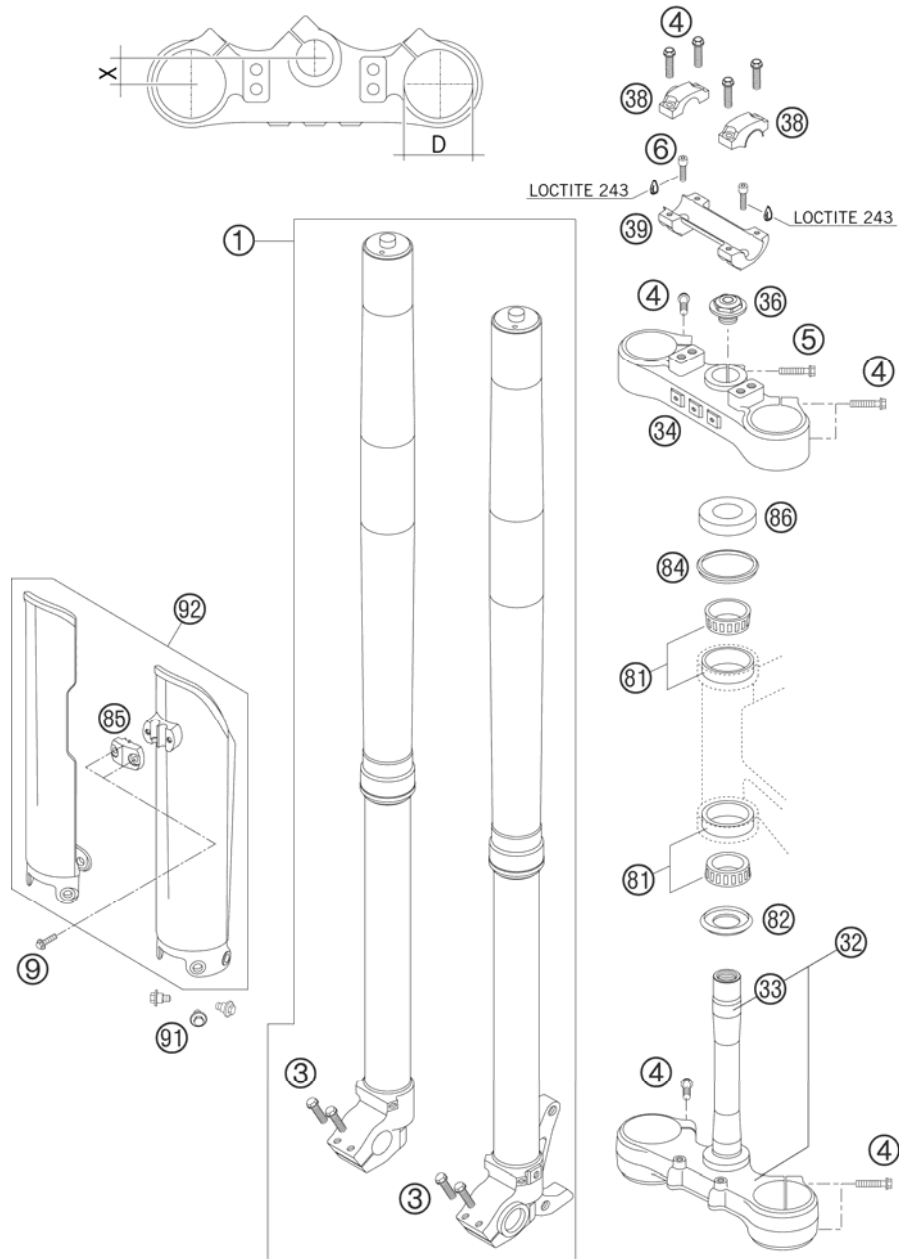
|   |   |  |   |
|---|---|--|---|
| <p><b>FRONT FORK</b></p>  <p><b>4</b></p>        | <p><b>HANDLEBAR, CONTROLS</b></p>  <p><b>5</b></p>   | <p><b>SIDE STAND</b></p>  <p><b>6</b></p>       | <p><b>FRAME, SUB FRAME</b></p>  <p><b>7</b></p>  |
| <p><b>SWING ARM</b></p>  <p><b>9</b></p>         | <p><b>MONOSHOCK</b></p>  <p><b>10</b></p>           | <p><b>SILENCER</b></p>  <p><b>11</b></p>        | <p><b>EXHAUST MANIFOLD</b></p>  <p><b>12</b></p> |
| <p><b>AIR FILTER BOX</b></p>  <p><b>13</b></p> | <p><b>TANK, SEAT, COVER</b></p>  <p><b>14</b></p> | <p><b>MASK, FENDERS</b></p>  <p><b>15</b></p> | <p><b>DECAL</b></p>  <p><b>16</b></p>          |

|  |   |   |  |
|--|---|---|--|
| <p><b>FRONT WHEEL</b></p>  <p><b>17</b></p>         | <p><b>REAR WHEEL</b></p>  <p><b>18</b></p>         | <p><b>WIRING HARNESS</b></p>  <p><b>20</b></p>     | <p><b>HAND BRAKE CYLINDER</b></p>  <p><b>21</b></p> |
| <p><b>BRAKE CALIPER FRONT</b></p>  <p><b>22</b></p> | <p><b>BRAKE CALIPER REAR</b></p>  <p><b>23</b></p> | <p><b>REAR BRAKE CONTROL</b></p>  <p><b>24</b></p> | <p><b>SPEEDOMETER</b></p>  <p><b>25</b></p>         |
| <p><b>LIGHTING SYSTEM</b></p>  <p><b>26</b></p>   | <p><b>ACCESSORIES</b></p>  <p><b>27</b></p>      |   |  |

|  |   |   |  |
|--|---|---|--|
|  |   |   |  |
|  |   |   |  |
|  |  | <p>All information contained is without obligation. KTM-Sportmotorcycle AG particularly reserves the right to modify any equipment, technical specifications, prices, colors, shapes, materials, services, service work, constructions, equipment and the like so as to adapt them to local conditions or to cancel any of the above items, all without previous announcement and without giving reasons. KTM may stop manufacturing certain models without previous notice. KTM shall not be held liable for any deviations of availability and/or ability to deliver, illustrations, descriptions, printing and/or other errors. The illustrated models partly contain extra equipment, which is not applied to standard models. © 2004 by KTM-SPORTMOTORCYCLE AG, Mattighofen AUSTRIA; All rights reserved; Reprint, also in extracts, with written allowance of KTM-SPORTMOTORCYCLE AG, Mattighofen only.</p> |  |

# FRONT FORK

450 EXC RACING EU 2007



| FIG | PART NUMBER   | DESCRIPTION                    | QTY |
|-----|---------------|--------------------------------|-----|
| 1*  | 14187C06      | FORK KPL. WP D48 400-525EXC 07 | 1   |
| 3   | 0015080253    | HH COLLAR SCREW M 8X25 WS=10   | 4   |
| 4   | 0015080303    | HH COLLAR SCREW M 8X30 WS=10   | 12  |
| 5   | 0015080353    | HH COLLAR SCREW M 8X35 WS=10   | 1   |
| 6   | 0912100250    | AH SCREW DIN6912-M10X25,10.9,L | 2   |
| 9   | 0017060203    | EJOT PT SCREW K60X20 WS=6      | 2   |
| 32  | 59001132120   | BOT.TRIP.CL.CPL. X=20MM/D=60MM | 1   |
| 33  | 50101033100   | FORK TUBE L=244 '91            | 1   |
| 34  | 59001034120   | TOP TRIPLE CLAMP X=20MM/D=54MM | 1   |
| 36  | 54801036000   | STEER.HEAD SCREW M20X1,5 WS=27 | 1   |
| 38  | 59001038200   | HANDLEBAR CLAMP D=28MM 2000    | 2   |
| 39  | 59001039100   | HANDLEBAR SUPPORT 28MM SC'99   | 1   |
| 81  | 54201081100   | TAPERED ROLLER BEARING CPL. 06 | 2   |
| 82  | 54601084100   | O-RING SUPPORT W. SEALING LIP  | 1   |
| 84  | 54601184000   | STEERING HEAD GASKET TOP       | 1   |
| 85  | 5900108510004 | CLAMP F.SPEED.CABLE ORANGE 06  | 1   |
| 86  | 54201086000   | STEERING HEAD COVER            | 1   |
| 91  | 59001092050   | SPECIAL SCREW M6X12,5 WS=8     | 6   |
| 92  | 5900109400004 | FORK PROT. L/S +R/S ORG 02     | 1   |

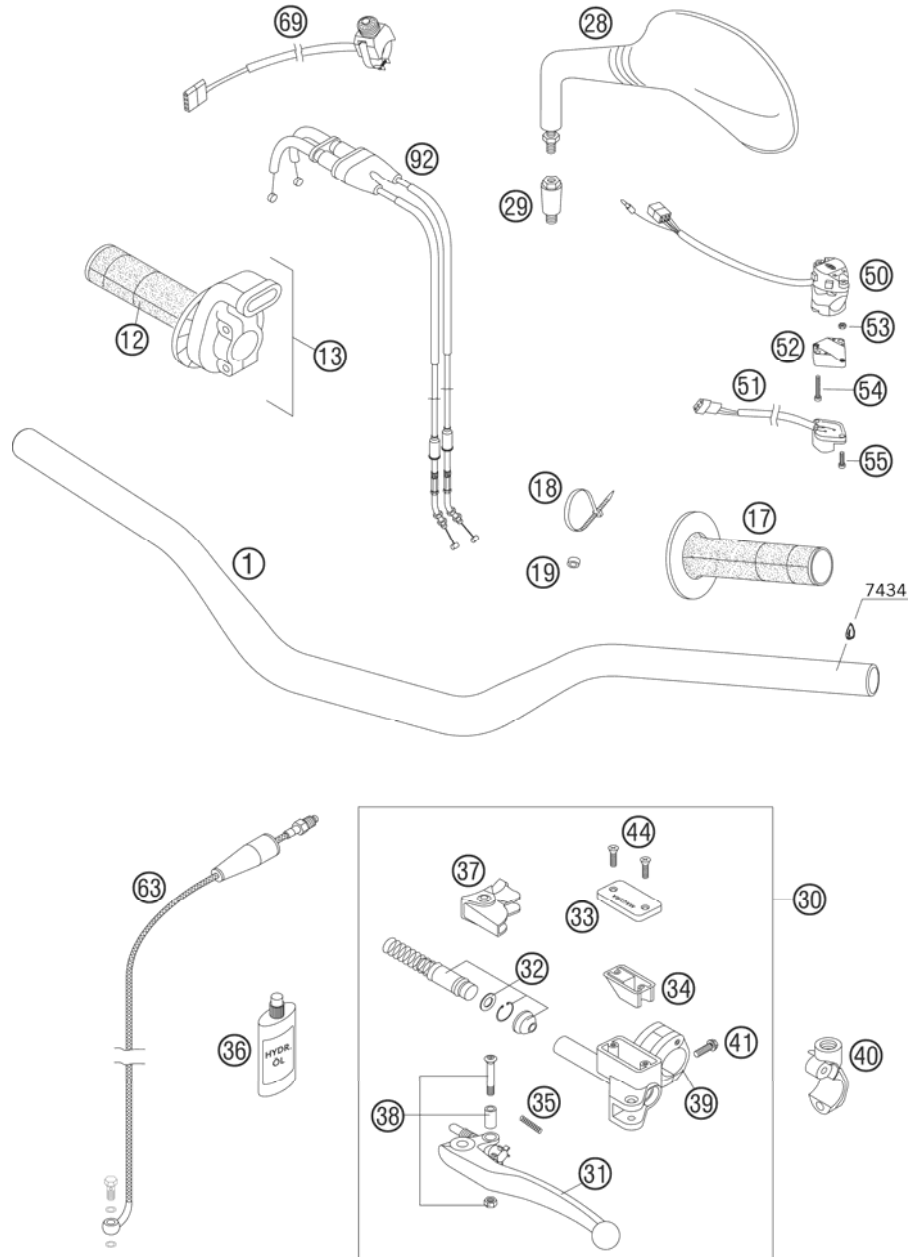
075900101 / C075900101

\* NEW PART

X AS REQUIRED

# HANDLEBAR, CONTROLS

450 EXC RACING EU 2007



| FIG | PART NUMBER | DESCRIPTION                    | QTY |
|-----|-------------|--------------------------------|-----|
| 1   | 59002001000 | HANDLEBAR 28MM HIGH 2000       | 1   |
| 12  | 54802013000 | TWIST GRIP COVER RENTAL 04     | 1   |
| 13  | 59402010000 | THROTTLE GRIP CPL. RACING 2004 | 1   |
| 17  | 54802039000 | FIXED GRIP RENTAL 04           | 1   |
| 18  | 44011076100 | CABLE TIE 100/2,5MM BLACK      | x   |
| 18  | 44011076200 | CABLE TIE 200/3,6MM BLACK      | x   |
| 19  | 50301089000 | SPACER BUSHING 6X10X5          | 1   |
| 28  | 58412040000 | MIRROR L/S 98                  | 1   |
| 28  | 58412041000 | MIRROR R/S 98                  | 1   |
| 29  | 58412040050 | SUPPORT FOR MIRROR LC4 '98     | 2   |
| 30  | 59002030200 | MASTER CYLINDER CPL. RACING 04 | 1   |
| 31  | 54602031000 | CLUTCH LEVER SHORT CPL. 2003   | x   |
| 31  | 59002031000 | CLUTCH LEVER LONG CPL. 2003    | 1   |
| 32  | 59002032100 | REP.KIT PISTON 9,0MM RAC. 2004 | 1   |
| 33  | 50302033100 | COVER HYD.CLUTCH 2T 2000       | 1   |
| 34  | 50302034000 | RUBBER FOR RESERVOIR '98       | 1   |
| 35  | 59002035000 | SPRING FOR CLUTCH LEVER 03     | 1   |
| 36  | 50302036200 | OIL FOR HYD. CLUTCH 75ML       | 1   |
| 37  | 50302037000 | PROTECT.CAP FOR LEVER PERCH'98 | 1   |
| 38  | 50302038000 | LEVER SCREW CPL. 125-200 '98   | 1   |
| 39  | 50302030150 | CLAMP WITH PIN 2000            | 1   |
| 40  | 59002044000 | CLAMP MIRROR WITH PIN          | 1   |
| 41  | 0015060203  | HH COLLAR SCREW M 6X20 WS=8    | 1   |
| 44  | 0965040123  | FLAT HEAD SCREW DIN0965-M 4X12 | 2   |
| 50  | 50311070000 | H.LIGHT SWITCH CEV 2/4TAKT '98 | 1   |
| 51  | 50311029000 | FLASHER SWITCH CEV '98         | 1   |
| 52  | 13011070060 | ADAPTER FOR FLASHER SWITCH '98 | 1   |
| 53  | 0934040003  | HEXAGON NUT DIN0934-M 4        | 2   |
| 54  | 0084040223  | CYL.HEAD SCREW DIN0084-M 4X22A | 2   |
| 55  | 0985040163  | FLAT HEAD SCREW DIN7985-M 4X16 | 2   |
| 63  | 59032063100 | CLUTCH PIPE RACING 2003        | 1   |
| 69  | 59411074000 | STARTER CONTROL 04             | 1   |
| 92  | 59002091300 | THR.CABLE"OPEN-CLOSE"KEIHIN 02 | 1   |

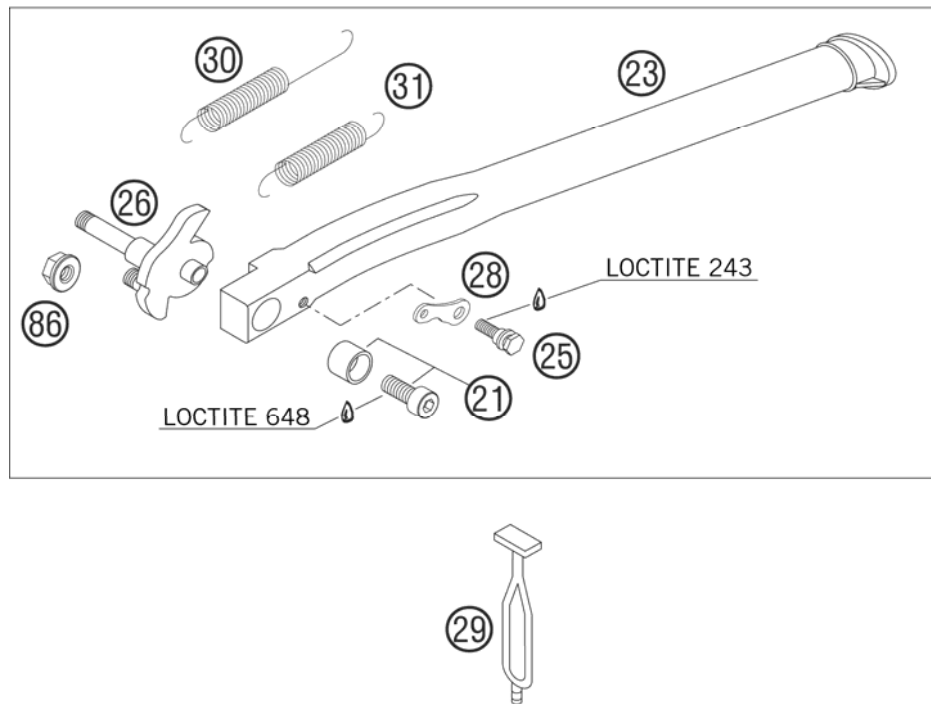
065900201 / C075900201

\* NEW PART

X AS REQUIRED

# SIDE STAND

450 EXC RACING EU 2007



| FIG | PART NUMBER | DESCRIPTION                    | QTY |
|-----|-------------|--------------------------------|-----|
| 21  | 50303023270 | BUSHING WITH SCREW EXC EU      | 1   |
| 23  | 50303023000 | SIDE STAND L=377MM '98         | 1   |
| 25  | 50303023152 | BOLT SIDE ST.SPRING M5 EGS'98  | 1   |
| 26  | 50303026100 | SIDE STAND BRACKET CPL. 2002   | 1   |
| 28  | 50303023054 | BRACKET FOR SPRING EGS '98     | 1   |
| 29  | 50303018000 | RUBBER L=145MM                 | 1   |
| 30  | 50303024000 | SIDESTAND SPRING 125-380EXC'98 | 1   |
| 31  | 10003021000 | STAND SPRING SHORT             | 1   |
| 86  | 54310086200 | SELF LOCKING NUT M8 10.9       | 1   |

065900303 / C065900303

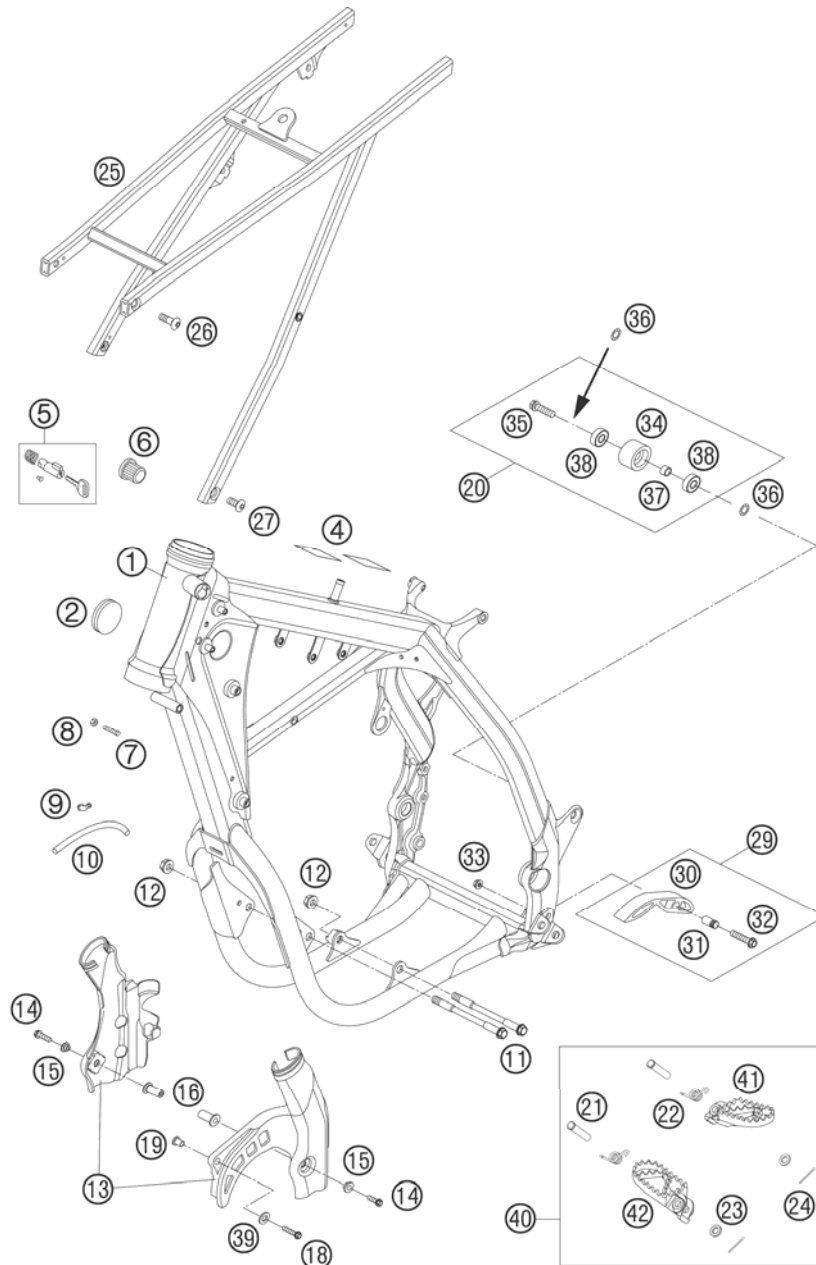
\* NEW PART

X AS REQUIRED



# FRAME, SUB FRAME

## 450 EXC RACING EU 2007



| FIG | PART NUMBER   | DESCRIPTION                    | QTY |
|-----|---------------|--------------------------------|-----|
| 1   | 5940310110030 | FRAME EXC RAC. EU/AUS "DC06"   | 1   |
| 2   | 54606004000   | PLUG 37MM                      | 2   |
| 4   | 50307012000   | ADH. FOIL TRANSP. 80X80 MM 04  | 2   |
| 5   | 71003007000   | STEERING HEAD LOCK CPL. ZADI   | 1   |
| 6   | 42007049000   | PLASTIC CAP                    | x   |
| 7   | 59001037000   | SPECIAL SCREW M8X26 WS=10      | 2   |
| 8   | 0934080003    | HEXAGON NUT DIN0934-M 8        | 2   |
| 9   | 50303089000   | ANGEL PIECE '97                | 2   |
| 10  | 55007016001   | PVC-HOSE 7X10 PER METER        | 1   |
| 11  | 59003013000   | ENGINEBRAC.SCREW M10X123 WS=13 | 2   |
| 12  | 54310086100   | SELF LOCKING NUT M10 CU WS=14  | 2   |
| 13  | 54803094100   | FRAME PROTECTION SET 05        | 1   |
| 14  | 0014050253    | HH COLLAR SCREW M 5X25 WS=6    | 2   |
| 15  | 54803092060   | BUSH F. FRAME PROTECTION 03    | 2   |
| 16  | 54803092050   | BLIND PLUG-IN NUT M5 WN 22A 03 | 2   |
| 18  | 0015060353    | HH COLLAR SCREW M 6X35 WS=8    | 1   |
| 19  | 59030060050   | BUSHING F. SPROCKET COVER RAC. | 1   |
| 20  | 50203053010   | CHAIN ROLL 30MM CPL. 06        | 1   |
| 21  | 54803044000   | BOLT FOR FOOT PED 03           | 2   |
| 22  | 54603041000   | FOOTREST SPRING L/S & R/S      | 2   |
| 23  | 0125100003    | WASHER DIN0125-A10,5           | 2   |
| 24  | 0094032253    | PIN DIN0094-3,2X25 STEEL       | 2   |
| 25  | 59403002344   | SUB FRAME CPL. EXC+MXC "M5" 05 | 1   |
| 26  | 54510052100   | SPROCKET SCREW-AH M8X26 WS=6   | 2   |
| 27  | 54610052000   | SPROCKET SCREW-AH M8X20 WS=6   | 2   |
| 29  | 51103053010   | CHAIN SLIDING PIECE BELOW CPL  | 1   |
| 30  | 51103053000   | CHAIN SLIDING PIECE BELOW '97  | 1   |
| 31  | 51103053051   | BUSHING 8,2X10X20              | 1   |
| 32  | 0015080353    | HH COLLAR SCREW M 8X35 WS=10   | 1   |
| 33  | 54310086200   | SELF LOCKING NUT M8 10.9       | 1   |
| 34  | 50203053000   | CHAIN ROLL D=30MM              | 1   |
| 35  | 0015080303    | HH COLLAR SCREW M 8X30 WS=10   | 1   |
| 36  | 36003014000   | LOCK WASHER 8MM                | 2   |
| 37  | 74003021000   | BUSHING 8.2 X 12 X 6           | 1   |
| 38  | 0625006087    | GROOVED BALL BEAR. 608 2RS C3  | 2   |
| 39  | 0125060003    | WASHER DIN0125-A 6,4           | 1   |

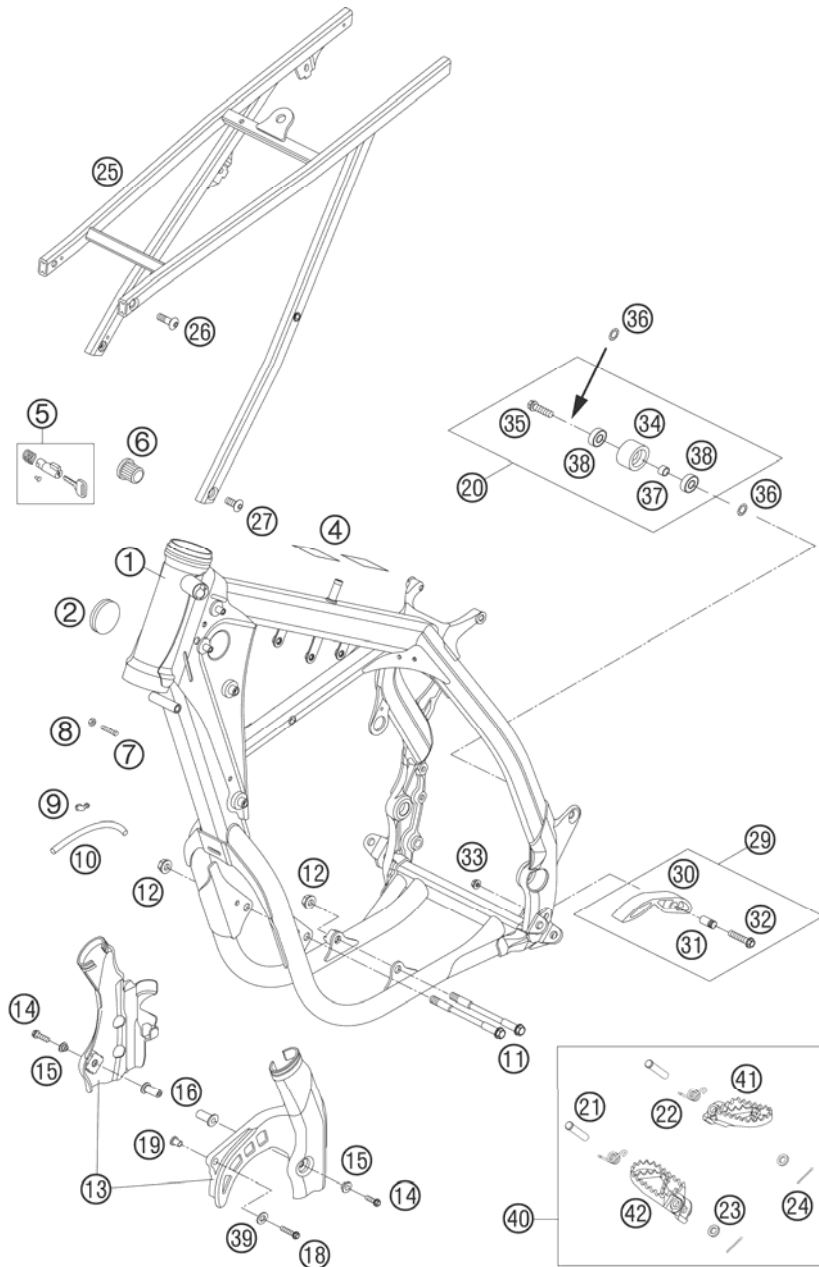
075900301 / C075900301

\* NEW PART

X AS REQUIRED

# FRAME, SUB FRAME

450 EXC RACING EU 2007



| FIG | PART NUMBER   | DESCRIPTION            | QTY |
|-----|---------------|------------------------|-----|
| 40  | 5030314013390 | FOOTREST L.+R. CPL. 03 | 1   |
| 41  | 59003040250   | FOOT PED L/S SILVER    | 02  |
| 42  | 59003041250   | FOOT PED R/S SILVER    | 02  |

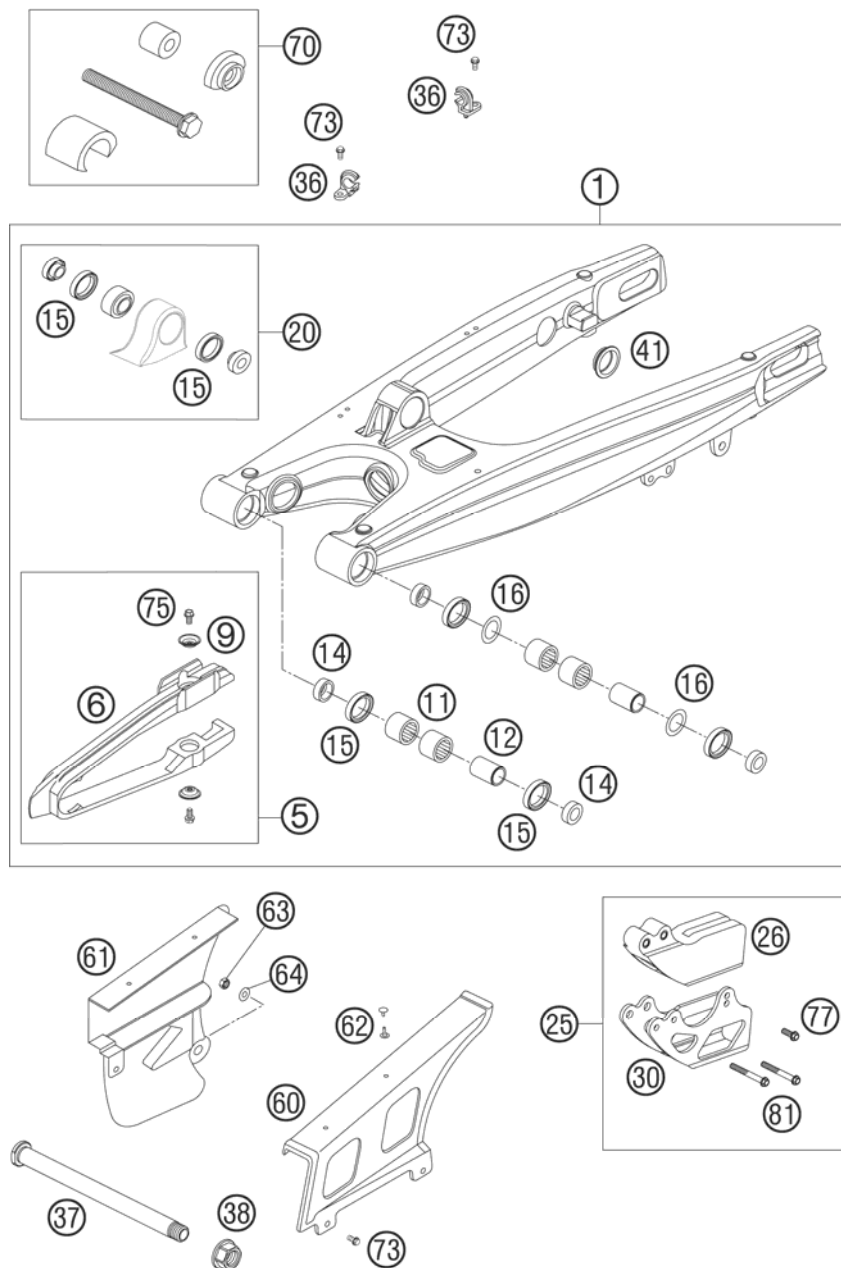
075900301 / C075900301

\* NEW PART

X AS REQUIRED

# SWING ARM

450 EXC RACING EU 2007



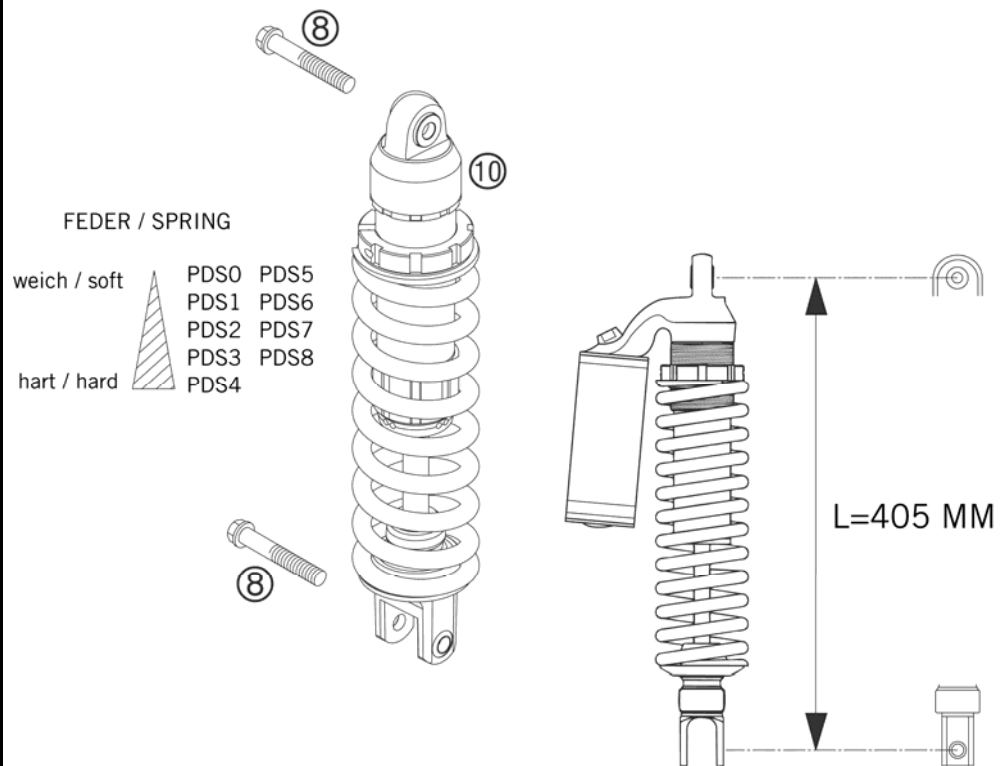
| FIG | PART NUMBER | DESCRIPTION                    | QTY |
|-----|-------------|--------------------------------|-----|
| 1   | 59404230144 | SWINGARM CPL. 05               | 1   |
| 5   | 50304066110 | CHAIN GUARD CPL. 05            | 1   |
| 6   | 50304066100 | CHAIN GUARD 05                 | 1   |
| 9   | 72210079000 | BUCKET                         | 2   |
| 11  | 59004031100 | NEEDLE BEARING HK2212V         | 4   |
| 12  | 59404032000 | BEARING SLEEVE 17X22X38,7 03   | 2   |
| 14  | 54804034000 | BUCKET F. SHAFT SEAL RING 03   | 4   |
| 15  | 0760253270  | SHAFT SEAL RING 25X32X7        | 6   |
| 16  | 54603036000 | STOP DISK 22,2X31,7X1          | 2   |
| 20  | 50304090044 | PIVOT BEARING+BUSHES PDS '99   | 1   |
| 25  | 54607069000 | CHAIN GUIDE REAR CPL.          | 1   |
| 26  | 54607066100 | CHAIN GUIDE REAR '94           | 1   |
| 30  | 54607070144 | RETAINING PLATE CPL.           | 1   |
| 36  | 54611076100 | RETAIN.CLAMP FOR BRAKE HOSE'96 | 2   |
| 37* | 77304037000 | SWINGARM BOLT M16X1,5 07       | 1   |
| 38  | 54804038000 | SELF LOCK.NUT M16X1,5 WS=19 03 | 1   |
| 41  | 58404041100 | CLOSING COVER ROUND 03         | 5   |
| 60  | 54607460000 | CHAIN GUARD LARGE EGS          | 1   |
| 61  | 50304060100 | CHAIN GUARD SMALL EXC 2000     | 1   |
| 62  | 20012062055 | HOLLOW RIVET TWO PARTS         | 2   |
| 63  | 0985060003  | SELF LOCK. NUT DIN0985-M 6     | 1   |
| 64  | 0021060003  | WASHER DIN9021-A 6,4           | 1   |
| 70  | 50329000044 | TOOL BEARING MOUNTING PDS      | 1   |
| 73  | 0009050103  | SPECIAL SCREW M 5,0X10         | 4   |
| 75  | 0015060103  | HH COLLAR SCREW M 6X10 WS=8    | 2   |
| 77  | 0015060163  | HH COLLAR SCREW M 6X16 WS=8    | 1   |
| 81  | 0015060503  | HH COLLAR SCREW M 6X50 WS=8    | 2   |

075900401 / C075900401

\* NEW PART

X AS REQUIRED

| FIG | PART NUMBER | DESCRIPTION                    | QTY |
|-----|-------------|--------------------------------|-----|
| 8   | 0015120556S | HH COLLAR M12X55 WS=13 06      | 2   |
| 10* | 12187C06    | MONOSHOCK WP PDS400-525 EXC 07 | 1   |



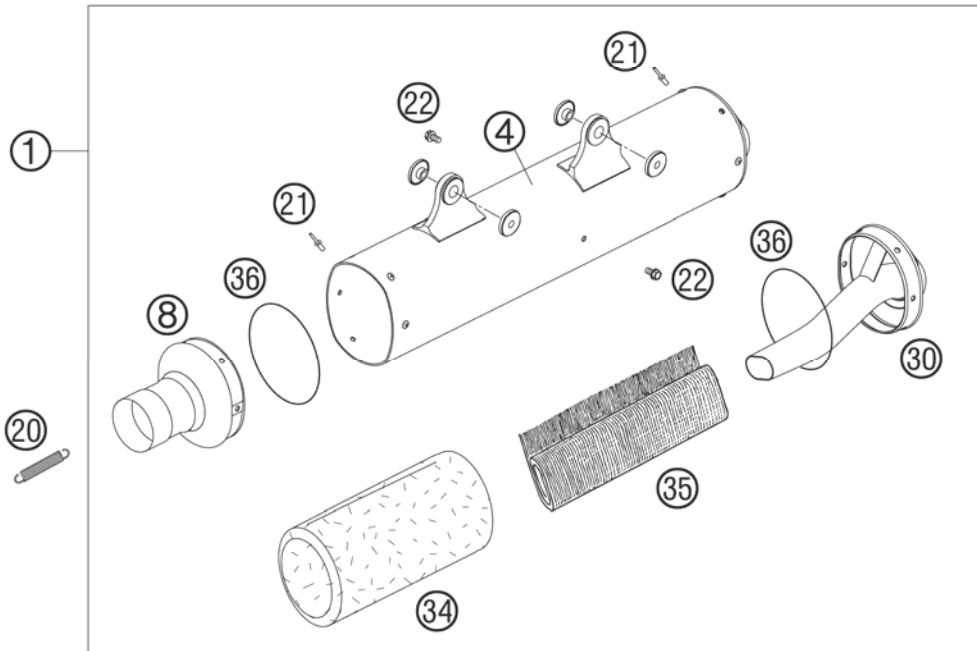
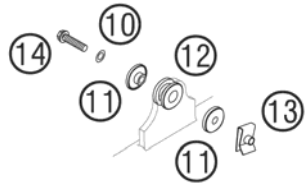
05590040 / C075900405

\* NEW PART

X AS REQUIRED

# SILENCER

450 EXC RACING EU 2007



| FIG | PART NUMBER | DESCRIPTION                   | QTY |
|-----|-------------|-------------------------------|-----|
| 1   | 59005081500 | SILENCER EXC THROTTLED 04     | 1   |
| 4   | 59005081550 | SILENCER HOUSING EXC 04       | 1   |
| 8   | 59405079009 | SILENCER CONNECT. CAP CPL.03  | 1   |
| 10  | 0137060003  | SPRING WASHER DIN0137-B 6     | 2   |
| 11  | 54605069000 | BUSHING 7,5X12X28X7,8 '96     | 4   |
| 12  | 54605068000 | EXHAUST BRACKET RUBBER BLACK  | 2   |
| 13  | 54603048100 | RANGE CHANGE METAL NUT M6     | 2   |
| 14  | 0015060303  | HH COLLAR SCREW M 6X30 WS=8   | 2   |
| 20  | 50305016000 | TEN.SPRING L=62MM EY.MOVEABLE | 2   |
| 21  | 0011480800  | DUMMY RIVET 4,8X 8 NIRO       | 12  |
| 22  | 0009050103  | SPECIAL SCREW M 5,0X10        | 2   |
| 30  | 59005081506 | ENDCAP EXC CPL. THROTTLED 04  | 1   |
| 34  | 58705078350 | STUFFINGYARN 350 GRAMM '99    | 1   |
| 35  | 59005078076 | STUFFING YARN 560X340X76G 04  | 1   |
| 36  | 0770740015  | O-RING 74,00X1,50 FKM 75SH    | 2   |

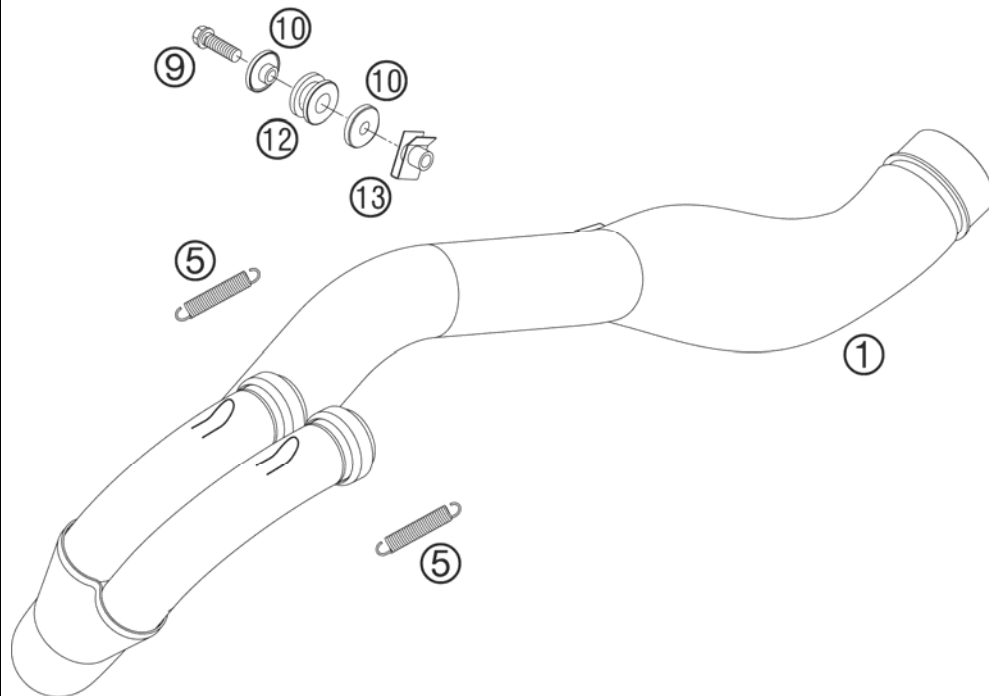
065900500 / C065900500

\* NEW PART

X AS REQUIRED

# EXHAUST MANIFOLD

450 EXC RACING EU 2007



| FIG | PART NUMBER | DESCRIPTION                    | QTY |
|-----|-------------|--------------------------------|-----|
| 1   | 59405007200 | EXHAUST PIPE 450-525 04        | 1   |
| 5   | 50305016000 | TEN.SPRING L=62MM EY.MOVEABLE  | 2   |
| 9   | 0015080253  | HH COLLAR SCREW M 8X25 WS=10   | 1   |
| 10  | 59405069000 | BUSHING FOR EXHAUST SUPPORT 03 | 2   |
| 12  | 54605068000 | EXHAUST BRACKET RUBBER BLACK   | 1   |
| 13  | 54603048000 | RANGE CHANGE METAL NUT M8      | 1   |

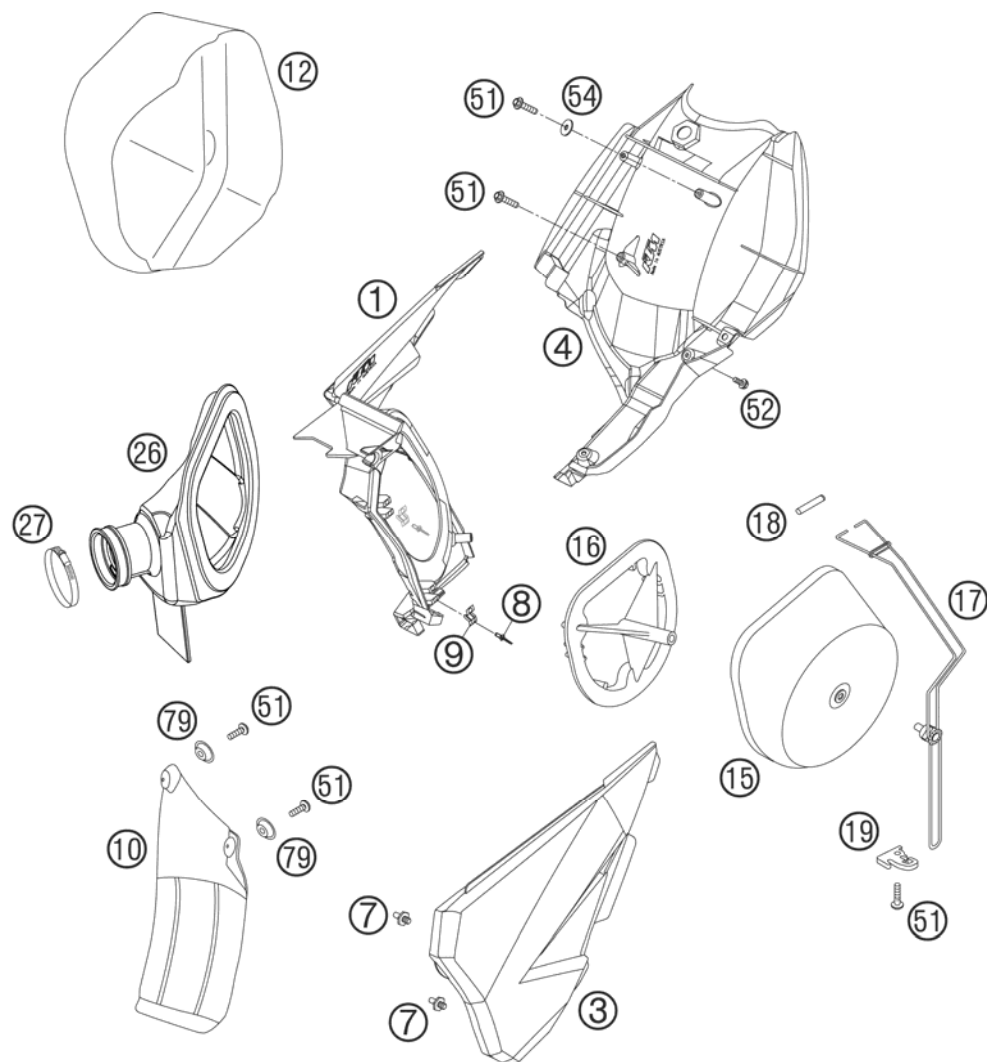
05590050 / C065900504

\* NEW PART

X AS REQUIRED

# AIR FILTER BOX

450 EXC RACING EU 2007



| FIG | PART NUMBER | DESCRIPTION                    | QTY |
|-----|-------------|--------------------------------|-----|
| 1   | 54806001051 | FILTER WALL 03                 | 1   |
| 3   | 54806003000 | FILTER BOX COVER 03            | 1   |
| 4   | 54806001052 | REAR PART FILTER BOX 03        | 1   |
| 7   | 54806008051 | QUICK RELEASE-NIPPLE 03        | 2   |
| 8*  | 54806108052 | BLIND RIVET 3,3X9,7 GROOVED 04 | 4   |
| 9   | 54806008050 | QUICK RELEASE-SPRING HANGER    | 2   |
| 10  | 50306010000 | FENDER FOR FILTER BOX '98      | 1   |
| 12  | 50306012000 | THROTTLE CAP 125-380EGS CPL.98 | x   |
| 15  | 59006015000 | AIR FILTER RACING 2001         | 1   |
| 16  | 59006016000 | FILTER CARRIER RAC. 2001       | 1   |
| 17  | 50306017000 | FILTER SUPPORT CPL.2-STROKE'98 | 1   |
| 18  | 50306018000 | FILTER SUPPORT BUSH 125-380'98 | 1   |
| 19  | 50306019000 | FASTEN. DEVICE FILTER SUPPORT  | 1   |
| 26  | 59406026000 | CARBURETOR CONNECTION BOOT     | 1   |
| 27  | 46005058000 | HOSE CLAMP 40-60MM             | 1   |
| 51  | 0017060203  | EJOT PT SCREW K6X20 WS=6       | 6   |
| 52  | 0009050103  | SPECIAL SCREW M 5,0X10         | 1   |
| 54  | 0021060003  | WASHER DIN9021-A 6,4           | 2   |
| 79  | 72210079000 | BUCKET                         | 2   |

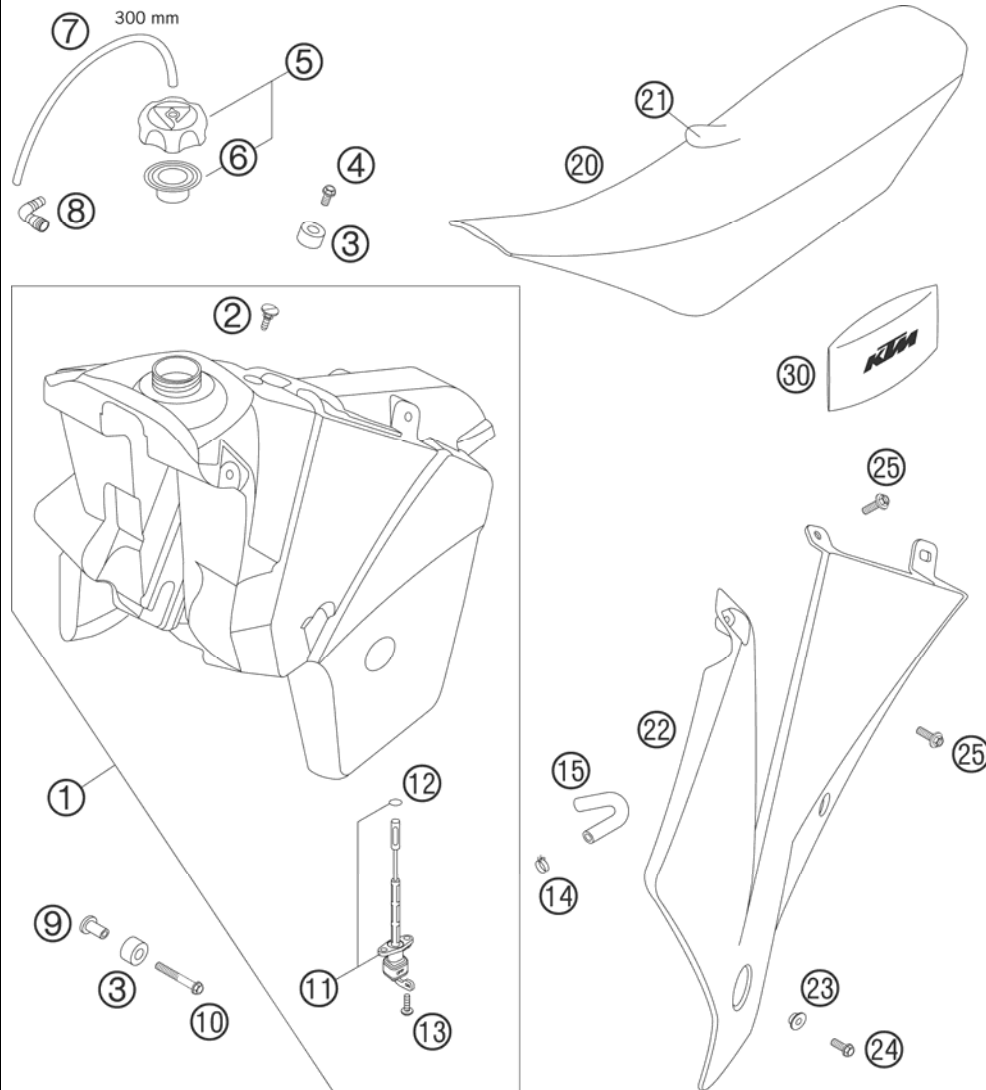
065900600 / C075900600

\* NEW PART

X AS REQUIRED

# TANK, SEAT, COVER

450 EXC RACING EU 2007



| FIG | PART NUMBER   | DESCRIPTION                    | QTY |
|-----|---------------|--------------------------------|-----|
| 1   | 5900701350044 | FUEL TANK CPL. RACING 8,0L 03  | 1   |
| 2   | 50307011000   | SCREW SEAT FASTENING D=6X23/18 | 1   |
| 3   | 50307014000   | TANK ROLLER 12X26X12 '98       | 3   |
| 4   | 0015060123    | HH COLLAR SCREW M 6X12 WS=8    | 1   |
| 5   | 59007008044   | FILLER CAP CPL. WITH VALVE     | 1   |
| 6   | 59007009000   | GASKET FOR FILLER CAP HIGH     | 1   |
| 7   | 31007107001   | PVC-HOSE 6X9 MM PER METER      | x   |
| 8   | 51030022000   | ANGLE PIECE 90 DEGREE M10X1    | 1   |
| 9   | 59003001055   | SUPORT BUSHING TANKROLLER      | 2   |
| 10  | 0015060453    | HH COLLAR SCREW M 6X45 WS=8    | 2   |
| 11  | 54807004000   | GAS COCK ON/OFF/RES 03         | 1   |
| 12  | 0770110021    | O-RING 11X2 VITON              | 1   |
| 13  | 0017060203    | EJOT PT SCREW K60X20 WS=6      | 2   |
| 14  | 58031005000   | CLAMP YDNAC 10128 12MM         | 2   |
| 15  | 59007016000   | FUEL HOSE 7,5X13MM             | 1   |
| 20  | 54807040400   | SEAT BLACK WITHOUT KTM-LOGO 05 | 1   |
| 21  | 54807040450   | SEAT COV.BLACK WITHOUT LOGO 05 | 1   |
| 22  | 5480805000004 | SPOILER L/S ORANGE 05          | 1   |
| 22  | 5480805100004 | SPOILER R/S ORANGE 05          | 1   |
| 23  | 50308052000   | BUSH FOR SPOILER 6X11X16X5 MM  | 2   |
| 24  | 0015060203    | HH COLLAR SCREW M 6X20 WS=8    | 2   |
| 25  | 0017060204    | EJOT PT SCREW K60X20 ALU WS=6  | 8   |
| 30* | 77029099100   | TOOL KIT 07                    | 1   |

065900701 / C075900701

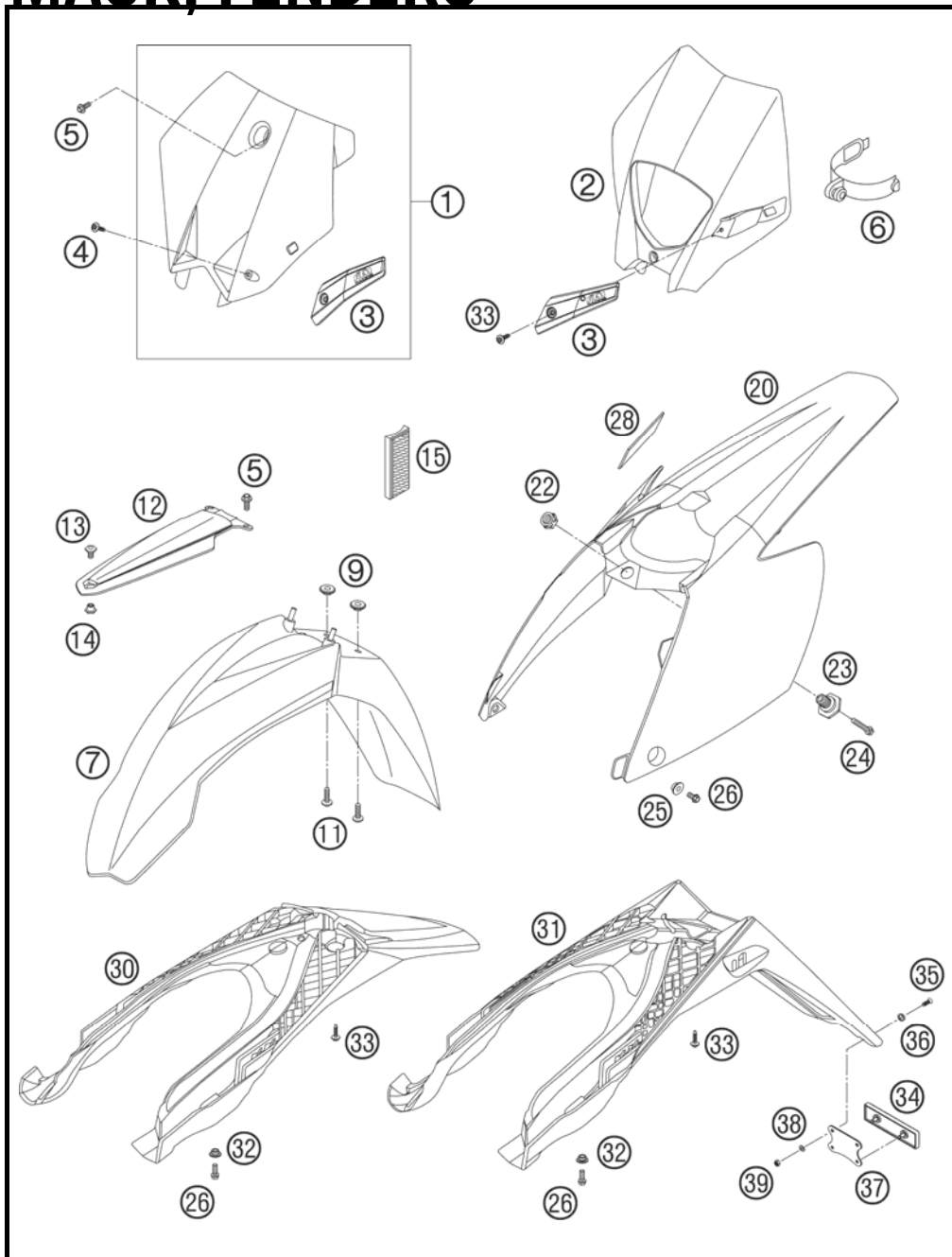
\* NEW PART

X AS REQUIRED



# MASK, FENDERS

450 EXC RACING EU 2007



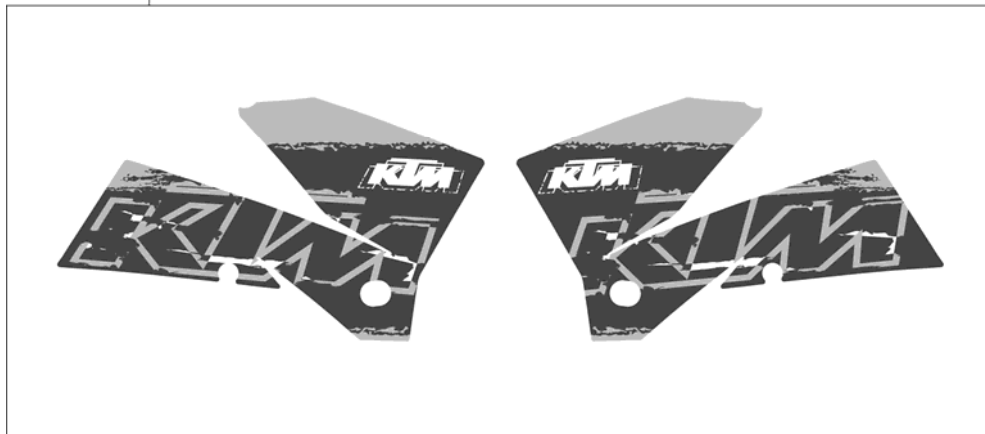
| FIG | PART NUMBER   | DESCRIPTION                    | QTY |
|-----|---------------|--------------------------------|-----|
| 1   | 5480800701004 | NUMBER PLATE CPL. ORANGE 03    | 1   |
| 2   | 5480800100004 | HEAD LIGHT MASK ORANGE 2005    | 1   |
| 3   | 54808019000   | BRAKE HOSE GUIDE BLACK 03      | 1   |
| 4   | 0017060204    | EJOT PT SCREW K60X20 ALU WS=6  | 1   |
| 5   | 0014060153    | HH COLLAR SCREW M 6X15 WS=8    | 3   |
| 6   | 50211086000   | MASK RUBBER UFO WP '95         | 2   |
| 7   | 5030801030004 | FENDER FRONT WIDE ORANGE 03    | 1   |
| 9   | 54808020000   | SPACER BUSHING 03              | 4   |
| 11  | 0014060203    | HH COLLAR SCREW M 6X20 WS=8    | 4   |
| 12  | 50308009100   | FENDER BRACE BLACK '99         | 1   |
| 13  | 50308009050   | SCREW FEND.BRACE M8X9 WS=17    | 1   |
| 14  | 50308009051   | NUT FENDER BRACE M8 WS=17      | 1   |
| 15  | 58412080100   | REFLECTOR YELLOW '99           | 2   |
| 20  | 5480801300004 | REAR PART SX ORANGE 03         | 1   |
| 20  | 5480801310004 | REAR PART EXC ORANGE 04        | 1   |
| 22  | 50314057050   | COLLAR NUT M12X1/WS17 H=5MM    | 1   |
| 23  | 54807048000   | BUSHING FOR SEAT FASTENING 03  | 1   |
| 24  | 0015060253    | HH COLLAR SCREW M 6X25 WS=8    | 1   |
| 25  | 50308052000   | BUSH FOR SPOILER 6X11X16X5 MM  | 2   |
| 26  | 0015060163    | HH COLLAR SCREW M 6X16 WS=8    | 4   |
| 28  | 59003001099   | METAMOLL 90X45X3MM 03          | 1   |
| 30  | 54808015000   | NUMBER PLATE CARRIER SHORT 04  | 1   |
| 31  | 54808015100   | NUMBER PLATE CARRIER LONG 04   | 1   |
| 32  | 50308052100   | BUSH FOR FENDER 6X11X20X5 MM   | 2   |
| 33  | 0017060203    | EJOT PT SCREW K60X20 WS=6      | 3   |
| 34  | 58412080000   | REFLECTOR RED LC4 '98          | 1   |
| 35  | 0966050163    | OVAL HEAD SCREW DIN0966-M 5X16 | 2   |
| 36  | 40006006000   | WASHER 6MM                     | 2   |
| 37  | 58412080050   | BRACKET FOR REFLECTOR          | 1   |
| 38  | 0125050003    | WASHER DIN0125-A 5,3           | 2   |
| 39  | 0985050003    | SELF LOCKING NUT DIN0985-M 5   | 2   |

065900801 / C065900801

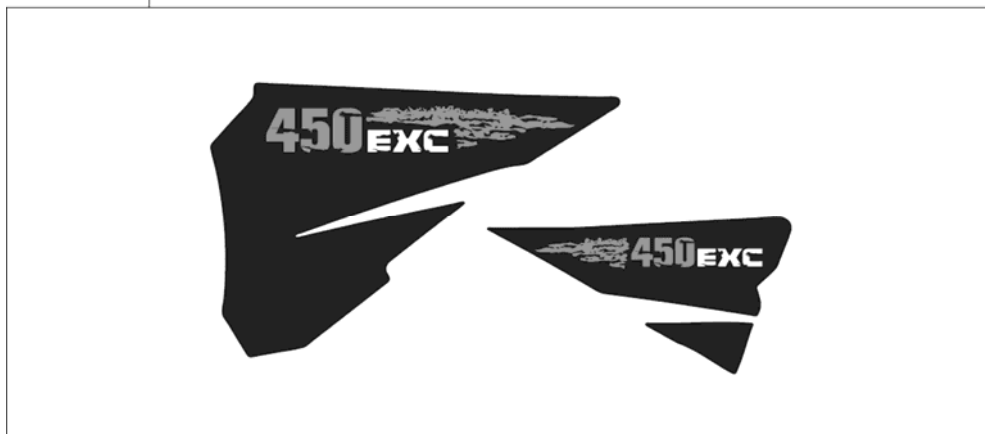
\* NEW PART

X AS REQUIRED

①



②



| FIG | PART NUMBER | DESCRIPTION                   | QTY |
|-----|-------------|-------------------------------|-----|
| 1*  | 52308290200 | SPOILER DECAL 2007            | 1   |
| 2*  | 59408291400 | DISPLACEMENT DECAL 450 EXC 07 | 1   |

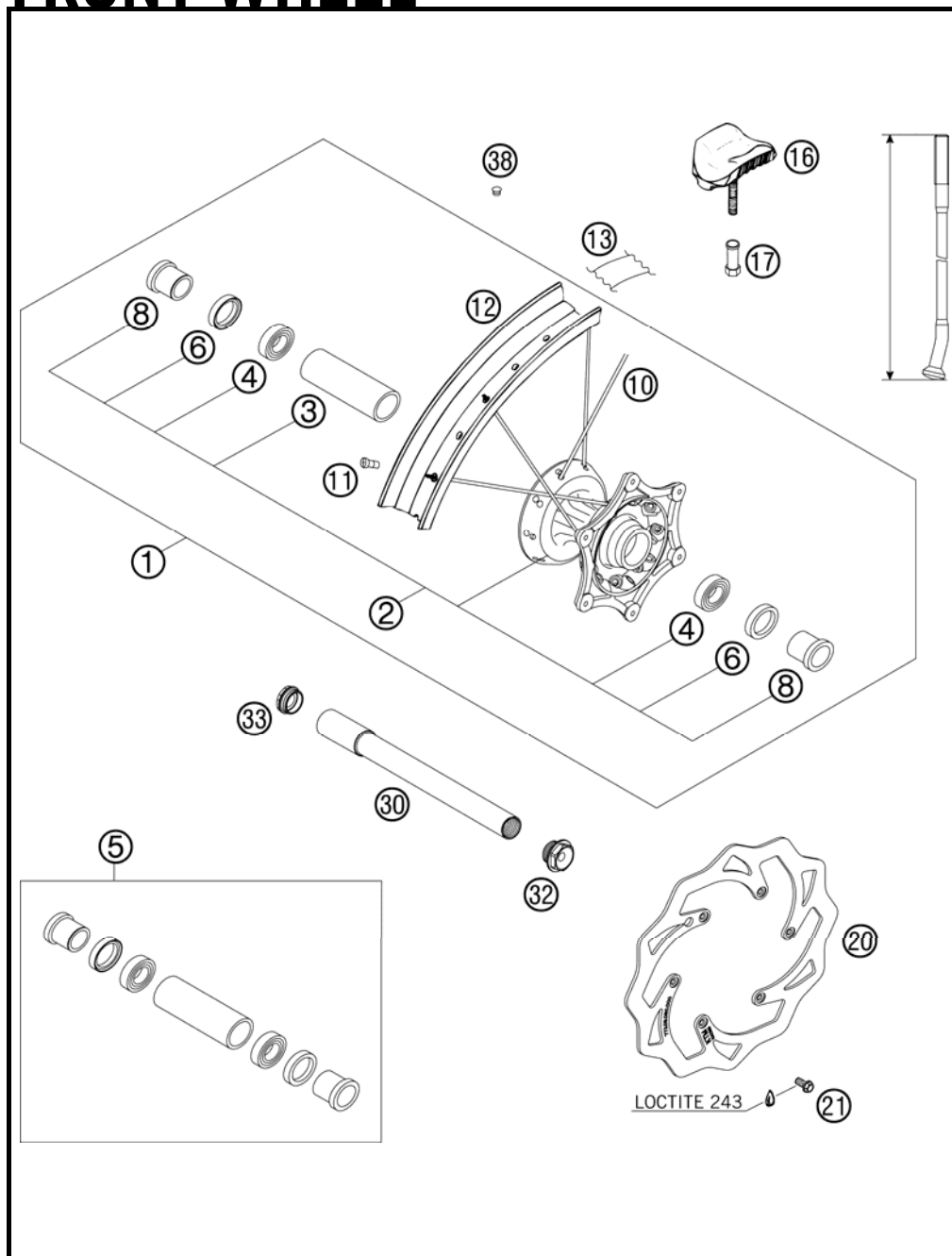
075900813 / C075900813

\* NEW PART

X AS REQUIRED

# FRONT WHEEL

450 EXC RACING EU 2007



| FIG | PART NUMBER   | DESCRIPTION                    | QTY |
|-----|---------------|--------------------------------|-----|
| 1*  | 5480900184430 | FRONTWHEEL CPL.1,6X21 EXCEL 07 | 1   |
| 2   | 5480901004491 | FRONT HUB CPL. SX SILVER 03    | 1   |
| 3   | 54809011000   | BEA.SPACERTUBE 35X2 L=79,4 03  | 1   |
| 4   | 0625069068    | GR.BALL BEAR.6906 DDU2CG23S6NM | 2   |
| 5   | 54809015000   | FRONT WHEEL REP. KIT           | 1   |
| 6   | 0760354771    | SHAFT SEAL RING 35X47X7 TC     | 2   |
| 8   | 54809012000   | SPACER BUSHING F. FR. WHEEL 03 | 2   |
| 10  | 50309072228   | SPOKE M4,5X228-15G 21" DDE     | 36  |
| 11  | 50309072000   | SPOKE NIPPLE M4,5X0,75 8X21    | 36  |
| 12* | 5480907000030 | FRONT RIM 1,6X21" EXCEL AL7    | 1   |
| 13  | 50309073000   | RIM BAND 21"                   | 1   |
| 16  | 51009100100   | RIM LOCK VM1 (1,60")           | 1   |
| 17  | 50310090050   | NUT FOR WHEEL HOLDER '96       | 1   |
| 20* | 77309060000   | BRAKE DISC FRONT 260           | 1   |
| 21  | 59009062013   | SPECIAL SCREW M6X13 WS=8 10.9  | 6   |
| 30* | 77309081000   | WHEEL SPIN.FR. D=26 M24x1,5 07 | 1   |
| 32  | 54809082000   | SPINDLE SCREW M24X1,5 WS=27 03 | 1   |
| 33  | 54809081050   | PLUG BUSHING WS=27 03          | 1   |
| 38  | 55003135000   | PLUG FOR RIM                   | x   |

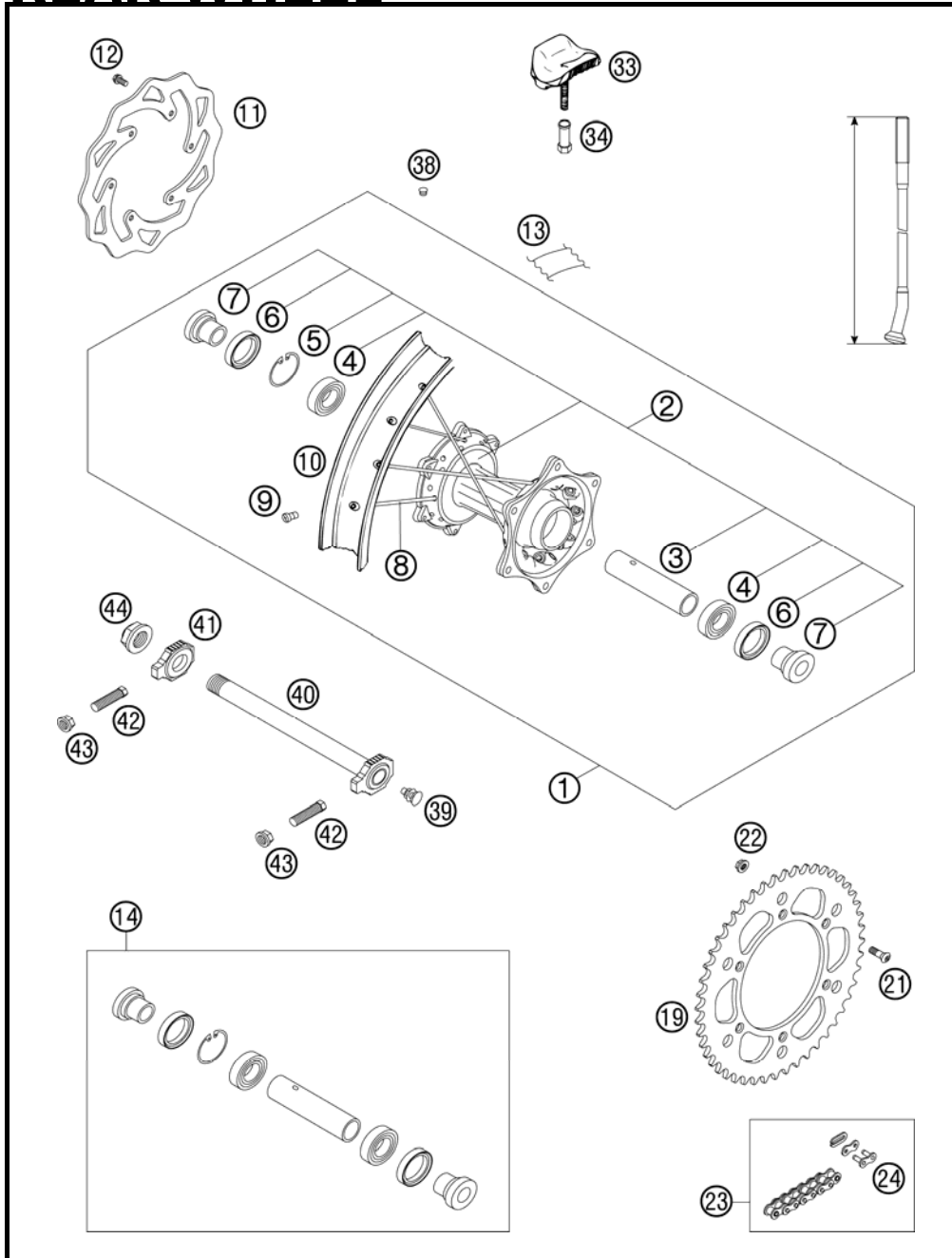
075900901 / C075900901

\* NEW PART

X AS REQUIRED

# REAR WHEEL

# 450 EXC RACING EU 2007



| FIG | PART NUMBER   | DESCRIPTION                               | QTY |
|-----|---------------|---|-----|
| 1*  | 5481010104430 | R. WHEEL CPL.2,15X18" EXCEL 07            | 1   |
| 2   | 5481001004491 | REAR WHEEL HUB CPL. SX, EXC 03            | 1   |
| 3   | 59010011000   | BUSHING SPACER TUBE 121,5MM 01            | 1   |
| 4   | 0625060058    | GR.BALL BEAR.6005 DDU2CG23S6NM            | 2   |
| 5   | 0472047175    | CIRCLIP DIN0472-47X1,75                   | 1   |
| 6   | 0760324771    | SHAFT SEAL RING 32X47X7 BSL               | 2   |
| 7   | 54610016000   | BUSHING FOR HUB                           | 2   |
| 8   | 50310072195   | SPOKE M5X195-10G 18" DDE                  | 36  |
| 9   | 58309072000   | SPOKE NIPPLE M5-TA (8X21MM)               | 36  |
| 10* | 5481007000030 | REAR RIM 2,15X18" EXCEL AL7               | 1   |
| 11* | 77310060000   | BRAKE DISC REAR 220                       | 1   |
| 12  | 59009062013   | SPECIAL SCREW M6X13 WS=8 10.9             | 6   |
| 13  | 50310073200   | RIM BAND 18" AND 19"                      | 1   |
| 14  | 54810015000   | REAR WHEEL REP. KIT                       | 1   |
| 18  | 58310051038   | REAR SPROCKET 38-T                        | x   |
| 18  | 58310051042   | REAR SPROCKET 42-T                        | x   |
| 18  | 58310151040   | REAR SPROCKET 40-T                        | x   |
| 18  | 58310151045   | REAR SPROCKET 45-T                        | x   |
| 19  | 58310151048   | REAR SPROCKET 48-T                        | x   |
| 19  | 58310151049   | REAR SPROCKET 49-T                        | x   |
| 20  | 58310151050   | REAR SPROCKET 50-T                        | x   |
| 20  | 58310151051   | REAR SPROCKET 51-T                        | x   |
| 20  | 58310151052   | REAR SPROCKET 52-T                        | x   |
| 21  | 54510052100   | SPROCKET SCREW-AH M8X26 WS=6              | 6   |
| 22  | 54310086200   | SELF LOCKING NUT M8 10.9                  | 6   |
| 23  | 50310165118   | CHAIN 5/8X1/4" + MASTER LINK<br>118 ROLLS | 1   |
| 23  | 50310800118   | CHAIN Z-RING 118 ROLLS 05<br>118 ROLLS    | 1   |
| 24  | 50310166000   | CONNECTING LINK                           | 1   |
| 24  | 50310266000   | CONNECTING LINK X-RING                    | 1   |
| 33  | 54010100100   | RIM LOCK VM3 (2.15")                      | 2   |
| 34  | 50310090050   | NUT FOR WHEEL HOLDER '96                  | 2   |
| 38  | 55003135000   | PLUG FOR RIM                              | x   |
| 39  | 50210086000   | COVERING CAP SFL16                        | x   |
| 40* | 77310085044   | WHEEL SPINDLE RE. CPL.265MM 07            | 1   |

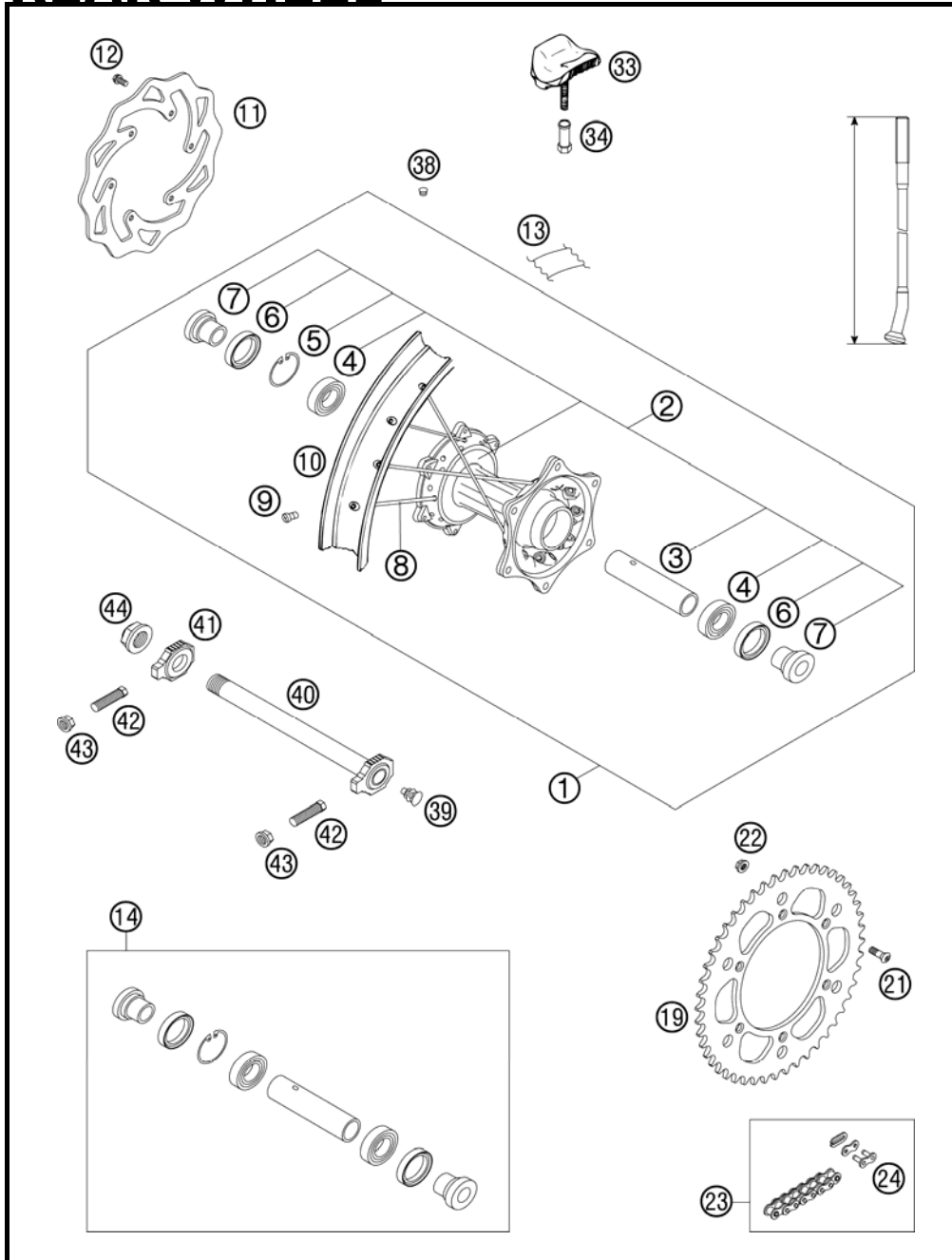
075901001 / C075901001

\* NEW PART

X AS REQUIRED

# REAR WHEEL

450 EXC RACING EU 2007



| FIG | PART NUMBER | DESCRIPTION                  | QTY |
|-----|-------------|------------------------------|-----|
| 41  | 50310084000 | CHAIN TENSIONER R/S 2000     | 1   |
| 42* | 50304040100 | SCREW M10X1,25X50 WS=10      | 2   |
| 43  | 58414030000 | HH COLLAR NUT M10X1,25 WS=13 | 2   |
| 44  | 50310099000 | HEXAGON NUT M20X1,5 '98      | 1   |

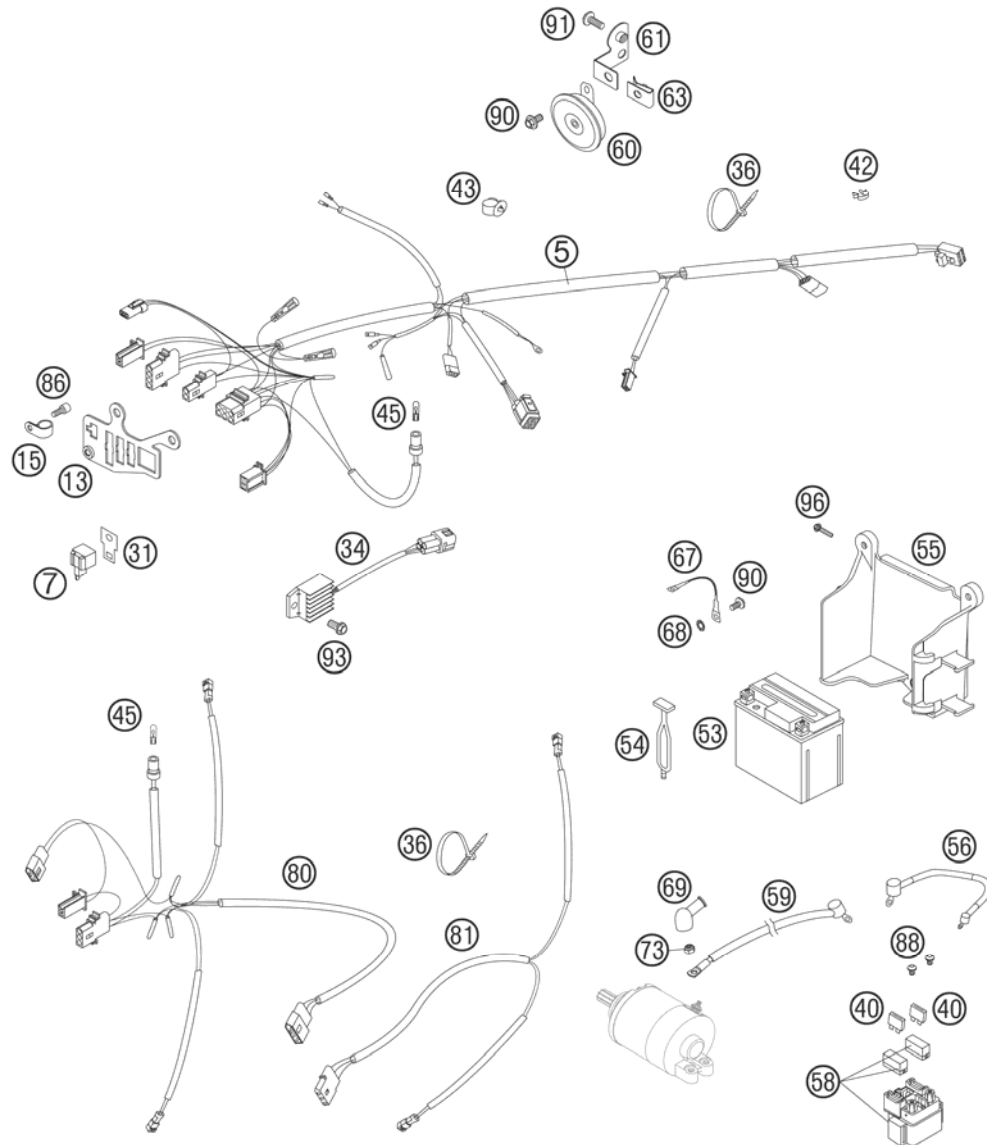
075901001 / C075901001

\* NEW PART

X AS REQUIRED

# WIRING HARNESS

450 EXC RACING EU 2007



| FIG | PART NUMBER | DESCRIPTION                    | QTY |
|-----|-------------|--------------------------------|-----|
| 5   | 59411075000 | WIRING HAR. 250-525 EU+AUS 05  | 1   |
| 7   | 44611207200 | FLASHER UNIT '97               | 1   |
| 13  | 54811083100 | SUPPORT BRACKET EXC 2005       | 1   |
| 15  | 57013070100 | PVC-CLAMP 7,9 MM HEYCO 3355    | 1   |
| 31  | 58211031100 | BRACKET FOR FLASHER RELAISE    | 1   |
| 34  | 80011034000 | VOLTAGE REGULATOR 04           | 1   |
| 36  | 44011076200 | CABLE TIE 200/3,6MM BLACK      | x   |
| 36  | 44011076305 | CABLE TIE 300/4,8MM BLACK      | x   |
| 40  | 58011109110 | FUSE 10 A 2000                 | 2   |
| 42  | 57013072000 | WIRING HOLDER 12MM             | x   |
| 42  | 57013072100 | WIRING HOLDER 16MM             | x   |
| 43  | 58111076000 | CABLE SUPPORT KHS NR.150-47610 | 2   |
| 45  | 49111425000 | BULB 12V 1,2W (W2X4,6D)        | 2   |
| 53  | 58511053000 | BATTERY 12V 4(5)AH TX5L-BS     | 1   |
| 54  | 50303018000 | RUBBER L=145MM                 | 2   |
| 55  | 59011055100 | BATTERY CARRIER PLAST.BLACK 05 | 1   |
| 56  | 58711086000 | WIRING HARNESS BATTERY DUKE'99 | 1   |
| 58  | 58211058000 | STARTER RELAY 12V '99          | 1   |
| 59  | 58411059100 | STARTERCABLE 700 MM '97        | 1   |
| 60  | 50311060000 | DC HORN 12V K80/L LEB          | 1   |
| 61  | 59011061000 | BRACKET 2001                   | 1   |
| 63  | 54603048100 | RANGE CHANGE METAL NUT M6      | 1   |
| 67  | 58411097100 | GROUND CABLE D=6MM L=140MM '97 | 1   |
| 68  | 58411098100 | CONTACT WASHER M6 VSV-K6       | 1   |
| 69  | 58440099000 | PROTECTION CAP F. STARTER ENG. | 1   |
| 73  | 0985060003  | SELF LOCK. NUT DIN0985-M 6     | 1   |
| 80  | 59011080100 | FLASH. WIRINGHARNESS FRONT 06  | 1   |
| 81  | 59011081100 | FLASH. WIRINGHARNESS REAR 06   | 1   |
| 86  | 0912050083  | AH SCREW DIN 912 M 5X8         | 1   |
| 88  | 0902060083  | AH OVAL SCREW ISO 7380 M 6X8   | 2   |
| 90  | 0014060103  | HH COLLAR SCREW M 6X10 WS=8    | 2   |
| 91  | 0014060153  | HH COLLAR SCREW M 6X15 WS=8    | 1   |
| 93  | 0015060123  | HH COLLAR SCREW M 6X12 WS=8    | 1   |
| 96  | 0017060203  | EJOT PT SCREW K60X20 WS=6      | 3   |

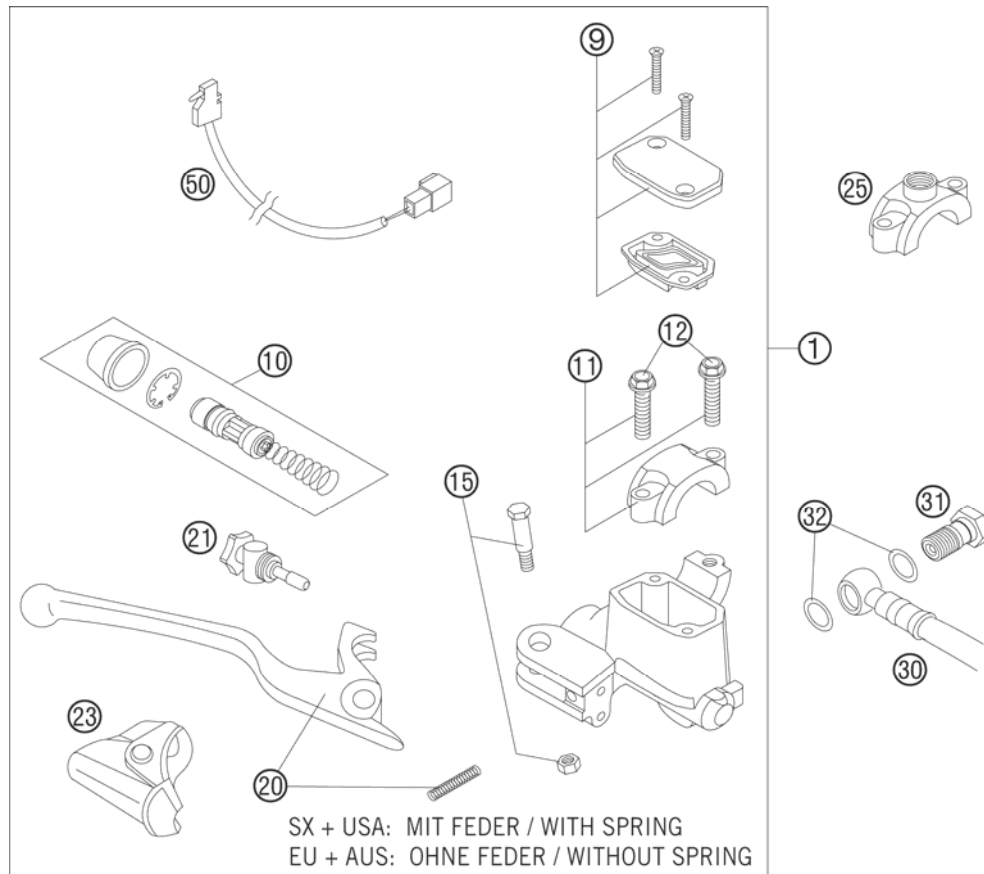
065901100 / C075901100

\* NEW PART

X AS REQUIRED

# HAND BRAKE CYLINDER

450 EXC RACING EU 2007



| FIG | PART NUMBER | DESCRIPTION                    | QTY |
|-----|-------------|--------------------------------|-----|
| 1   | 54813001300 | HAND BRAKE CYLINDER CPL.EXC 06 | 1   |
| 9   | 50313003000 | HANDBRAKE CYL.COVER CPL.NATURE | 1   |
| 10  | 54813008200 | REP.SET PISTON D=10MM 2006     | 1   |
| 11  | 50313005000 | CLAMP CPL. NATURE              | 1   |
| 12  | 0015060253  | HH COLLAR SCREW M 6X25 WS=8    | 2   |
| 15  | 50313006100 | LEVER SCREW CPL. 2001          | 1   |
| 20  | 54813002000 | HAND BRAKE LEVER + SPRING 2005 | 1   |
| 21  | 54813007100 | ADJUSTING SCREW CPL. EXC 2005  | 1   |
| 23  | 50313004000 | PROTECTION CAP HAND BRAKE CYL. | 1   |
| 25  | 58012040150 | CLAMP FOR MIRROR '94           | x   |
| 30  | 59013011000 | BRAKEHO. FRONT 1300MM 2000     | 1   |
| 31  | 50213025000 | HOLLOW SCREW M10X1X19          | 1   |
| 32  | 42013226000 | CU-SEAL RING DIN7603-10X16X1   | 2   |
| 50  | 50311050100 | BRAKE LIGHT SWITCH FRONT 2002  | 1   |
| 80  | 306054      | BRAKE FLUID DOT 4.0            | 1   |

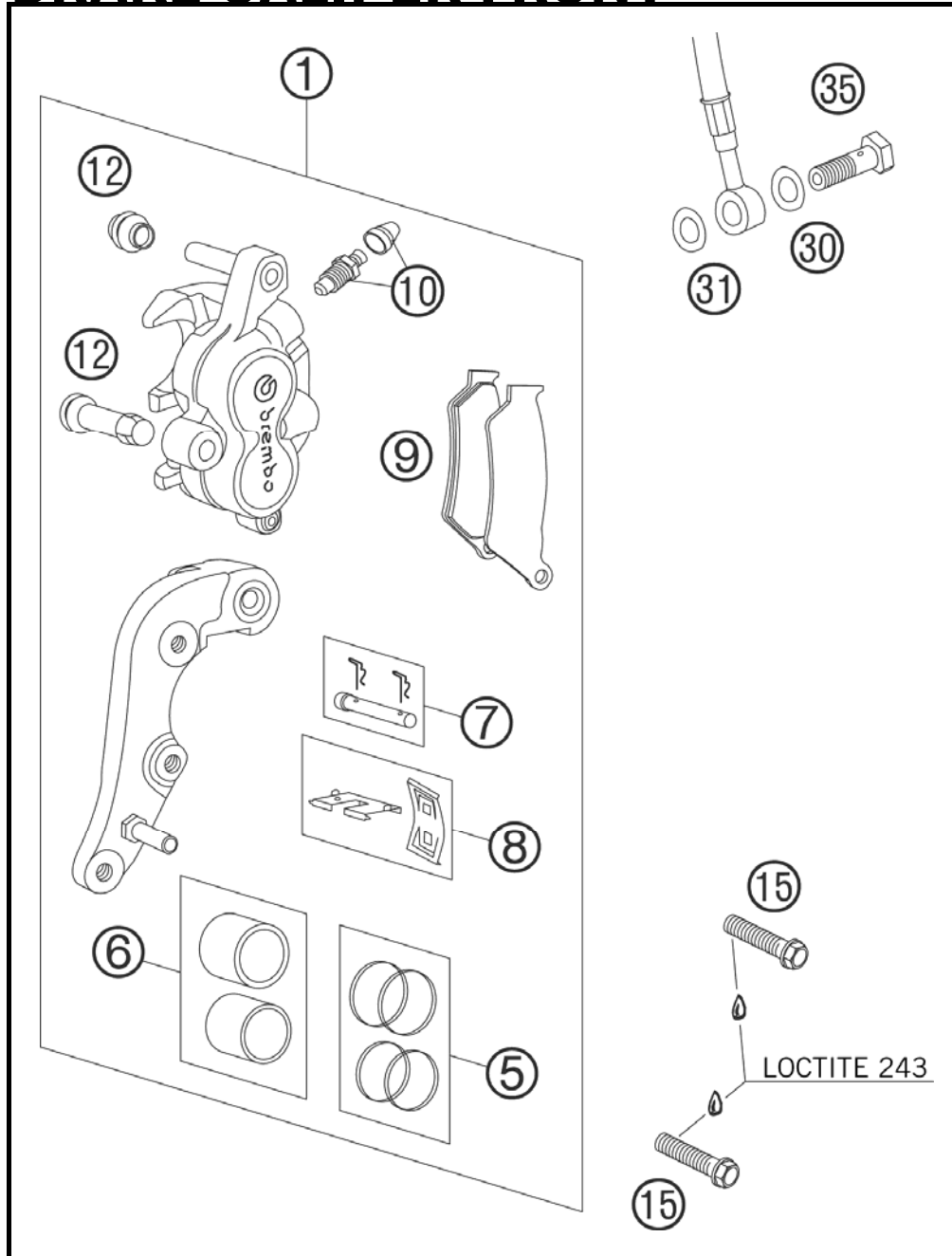
065901301 / C075901301

\* NEW PART

X AS REQUIRED

# BRAKE CALIPER FRONT

450 EXC RACING EU 2007



| FIG | PART NUMBER | DESCRIPTION                    | QTY |
|-----|-------------|--------------------------------|-----|
| 1   | 59013015144 | BRAKECALIPER FRONT BREMBO 2000 | 1   |
| 5   | 54613205000 | REPAIR KIT 28MM                | 1   |
| 6   | 54613206000 | REPAIR KIT PISTON 28MM         | 1   |
| 7   | 54613210100 | BOLT CPL. 6X56                 | 1   |
| 8   | 54613212000 | RETAINING PLATE SET BREMBO     | 1   |
| 9   | 50313030100 | BRAKEP.SET FR.TOSHIBATT2701HHB | 1   |
| 10  | 60013020000 | BLEEDER SCREW WITH CAP         | 1   |
| 12  | 54613218000 | CUP SET SHORT                  | 1   |
| 15  | 0015080353  | HH COLLAR SCREW M 8X35 WS=10   | 2   |
| 30  | 42013226000 | CU-SEAL RING DIN7603-10X16X1   | 1   |
| 31  | 42013026000 | CU-SEAL RING DIN7603-10X16X1,5 | 1   |
| 35  | 50213025000 | HOLLOW SCREW M10X1X19          | 1   |

065901303 / C075901303

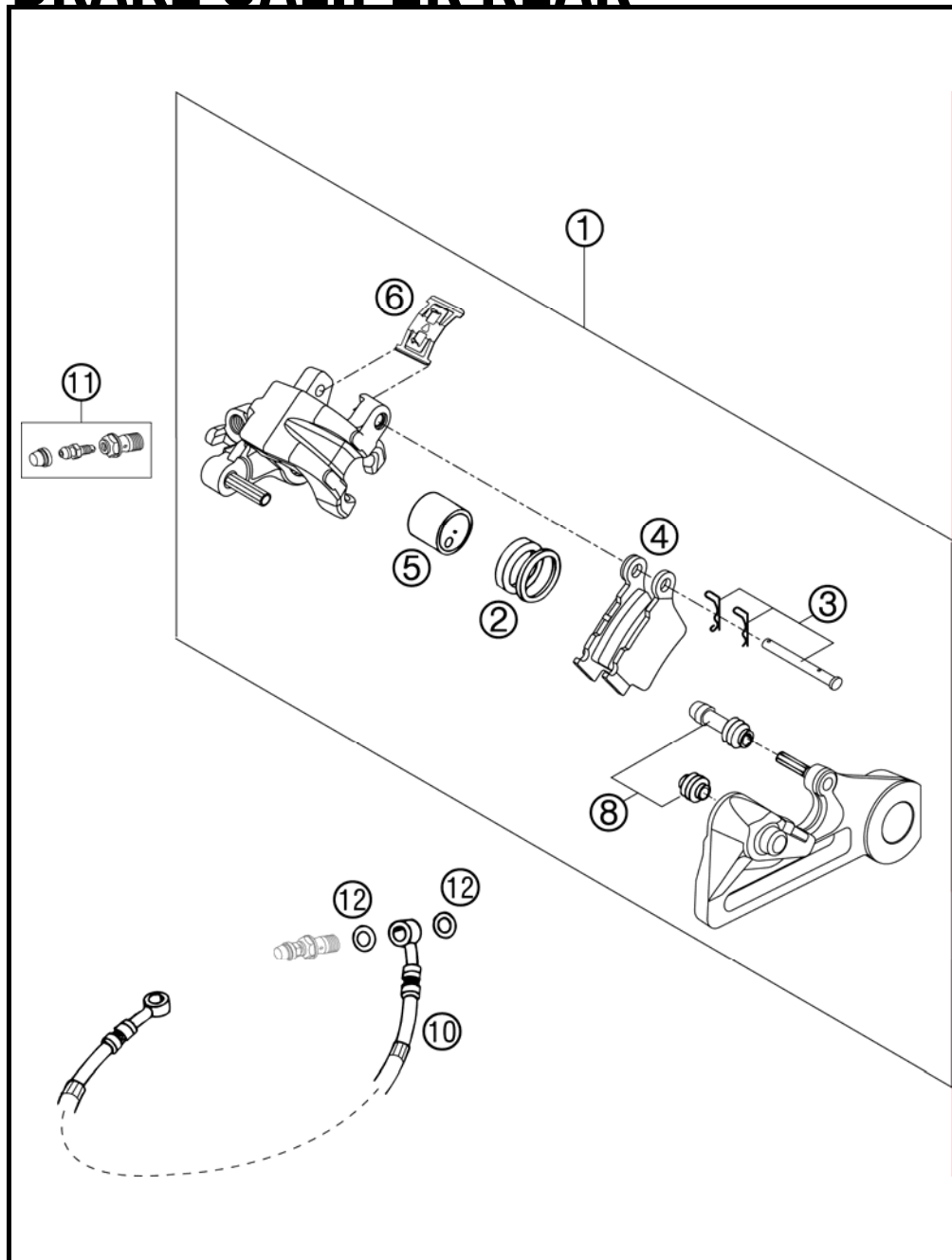
\* NEW PART

X AS REQUIRED



# BRAKE CALIPER REAR

450 EXC RACING EU 2007

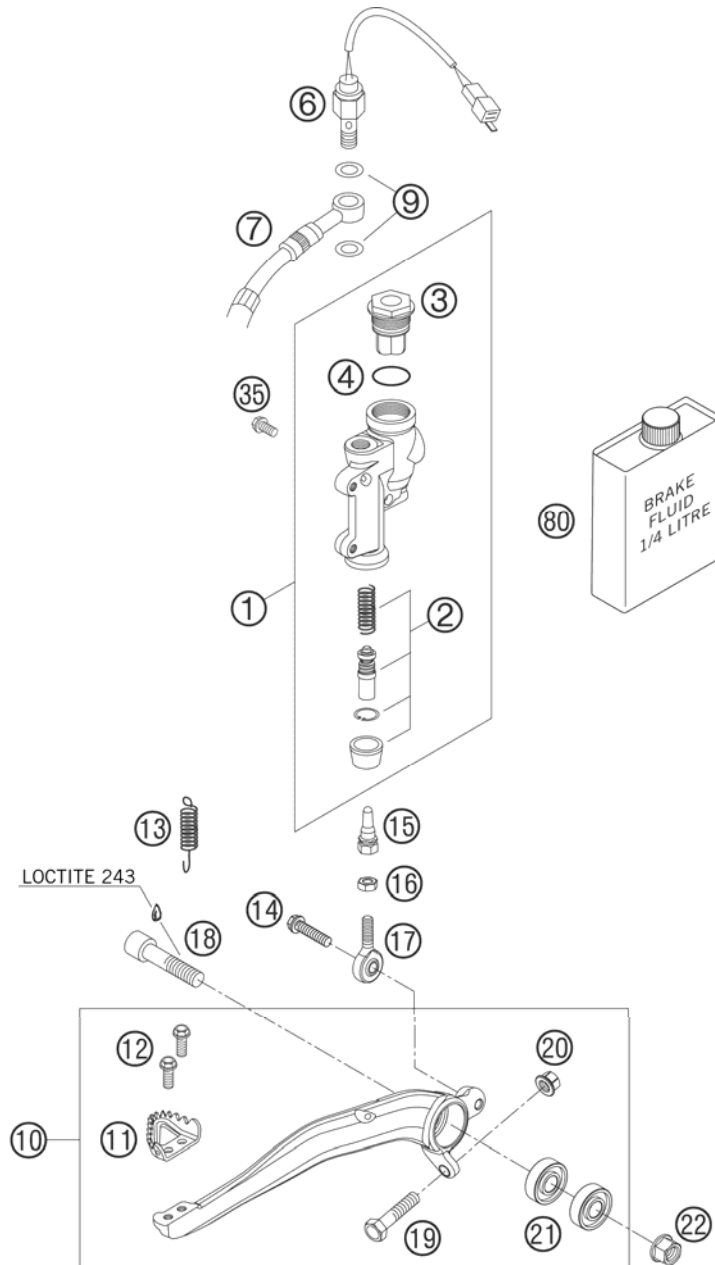


| FIG | PART NUMBER | DESCRIPTION                   | QTY |
|-----|-------------|-------------------------------|-----|
| 1   | 54813080144 | BRAKE CALIPER REAR CPL. 2005  | 1   |
| 2   | 50313081200 | REPAIR KIT SEALING RINGS 26MM | 1   |
| 3   | 54813082000 | BOLT SET FOR BRAKE CALIPER 03 | 1   |
| 4   | 54813090300 | BRAKE PAD SET REAR TOYO       | 1   |
| 5   | 54813083000 | BRAKE PISTON 26MM 2003        | 1   |
| 6   | 54813018000 | RETAINING SPRING SET 2003     | 1   |
| 8   | 54613218000 | CUP SET SHORT                 | 1   |
| 10  | 54813070000 | BRAKE HOSE REAR 655MM 03      | 1   |
| 11  | 54813020000 | BLEEDER HOLLOW SCREW M10X1    | 1   |
| 12  | 42013226000 | CU-SEAL RING DIN7603-10X16X1  | 2   |

03590136 / C075901304

\* NEW PART

X AS REQUIRED



| FIG | PART NUMBER | DESCRIPTION                   | QTY |
|-----|-------------|-------------------------------|-----|
| 1   | 54813060100 | REAR BRAKE CYLINDER CPL. 2004 | 1   |
| 2   | 54813061200 | REPAIR KIT PISTON 13MM 06     | 1   |
| 3   | 54813062100 | REAR BRAKE CYL. COVER CPL. 04 | 1   |
| 4   | 54813063000 | FOOT-BRAKE CYL. GASKET SX 03  | 1   |
| 6   | 50311051100 | BRAKE LIGHT SWITCH REAR '98   | 1   |
| 7   | 54813070000 | BRAKE HOSE REAR 655MM 03      | 1   |
| 9   | 42013226000 | CU-SEAL RING DIN7603-10X16X1  | 2   |
| 10  | 54813050044 | FOOT BRAKE LEVER CPL. 03      | 1   |
| 11  | 54813051000 | STEP PLATE FOR BRAKE LEVER    | 1   |
| 12  | 0015050123  | HH COLLAR SCREW M 5X12 WS=8   | 2   |
| 13  | 54603062000 | RETURN SPRING FOR BRAKE LEVER | 1   |
| 14  | 0015060203  | HH COLLAR SCREW M 6X20 WS=8   | 1   |
| 15  | 54813056000 | PUSH ROD L=28MM 03            | 1   |
| 16  | 0934060003  | HEXAGON NUT DIN0934-M 6       | 1   |
| 17  | 54813055000 | SWIVEL HEAD KA6 03            | 1   |
| 18  | 0912100406  | AH SCREW DIN6912 M10X40 10.9  | 1   |
| 19  | 59001037000 | SPECIAL SCREW M8X26 WS=10     | 1   |
| 20  | 46030045000 | COLLAR NUT M8 WS=10           | 1   |
| 21  | 0625060002  | BALL BEARING SKF 6000-2RS1    | 2   |
| 22  | 54630044000 | COLLAR NUT M10 WS=13          | 1   |
| 35  | 0015060123  | HH COLLAR SCREW M 6X12 WS=8   | 2   |
| 64  | 54813064200 | BELLOWS FOR REPAIR KIT 06     | 1   |
| 80  | 306054      | BRAKE FLUID DOT 4.0           | 1   |

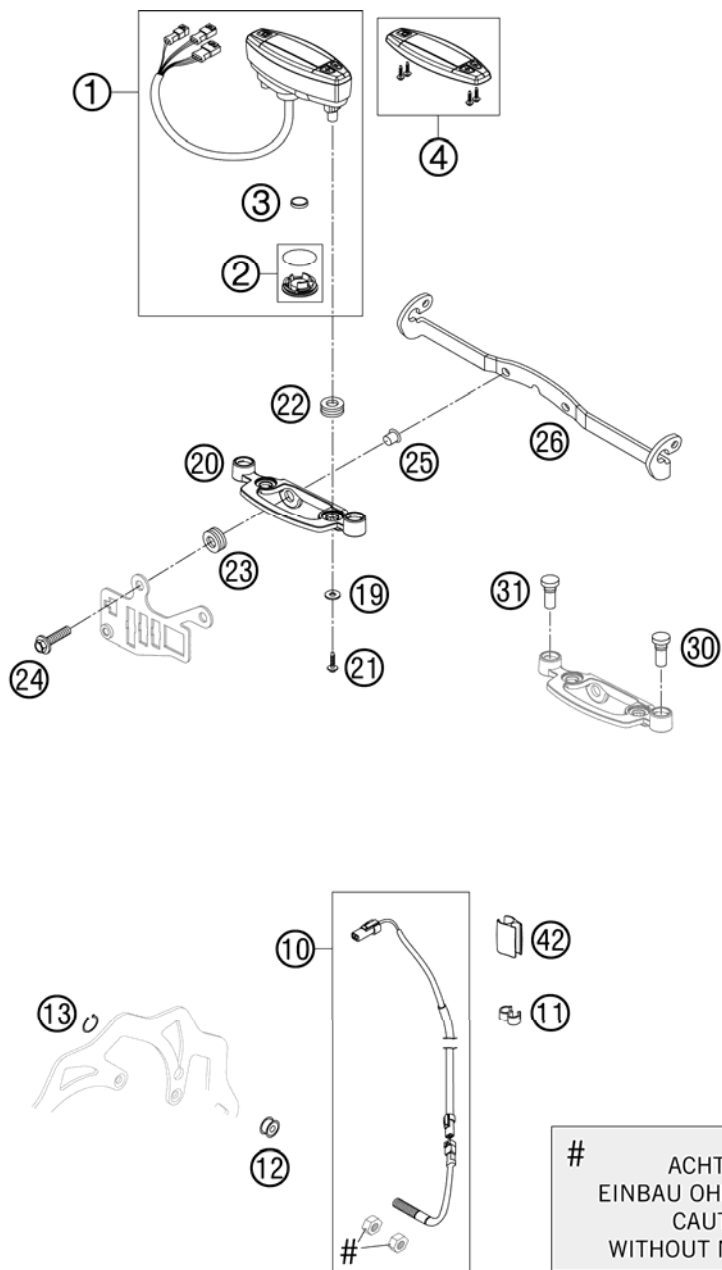
065901306 / C075901306

\* NEW PART

X AS REQUIRED

# SPEEDOMETER

450 EXC RACING EU 2007



| FIG | PART NUMBER | DESCRIPTION  | QTY |
|-----|-------------|--|-----|
| 1   | 54814069000 | SPEEDOMETER KM/H F. 21" 2005<br>REPROGRAMMABLE: KM/H - MPH | 1   |
| 2   | 54814069010 | BATTERY COVER F. SPEEDOM. 2005                             | 1   |
| 3   | 58314068000 | BATTERY F. SPEEDOM. M.A.E. 02                              | 1   |
| 4   | 54814069020 | SPEEDOMETER TOP PART 05                                    | 1   |
| 10  | 54814068100 | CABLE FOR DIGITAL SPEEDOM. 06                              | 1   |
| 11  | 55011022100 | CLAMP D=6/8MM, BLACK                                       | 3   |
| 12  | 54814069050 | MAGNET FOR DIGITAL SPEEDOM. 03                             | 1   |
| 13  | 0471009104  | CIRCLIP DIN0471- 9X1 INOX                                  | 1   |
| 19  | 0021050003  | WASHER DIN9021-A 5,3                                       | 2   |
| 20  | 54814060000 | SPEEDOMETER BRACKET 05                                     | 1   |
| 21  | 0016050121  | SCREW FOR PLASTIC 50X12                                    | 2   |
| 22  | 58214069051 | RUBBER GROMMET 16X10,8X3 02                                | 2   |
| 23  | 31008060000 | RUBBER SLEEVE D=8MM OPEN                                   | 2   |
| 24  | 0014060253  | HH COLLAR SCREW M 6X25 WS=8                                | 2   |
| 25  | 58314060050 | SPACER BUSH. F. SPEEDOMET.BRA.                             | 2   |
| 26  | 58314033100 | FLASHER BRACKET 2002                                       | 1   |
| 30  | 58011021300 | H.BEAM INDICATOR LIGHT BLUE'98                             | 1   |
| 31  | 58011024300 | FLASHER INDICAT.LIGHT GREEN'98                             | 1   |
| 42* | 54813026000 | CABLE SUPPORT 10/6MM 06                                    | 2   |

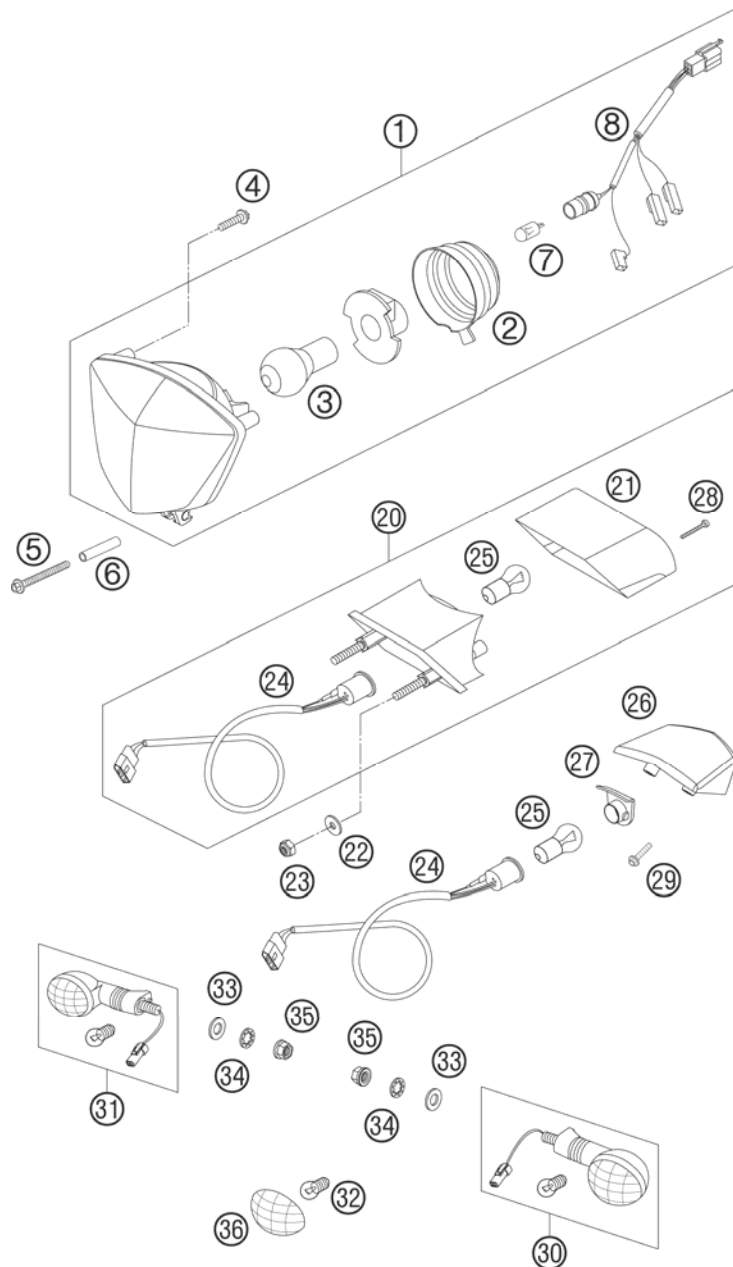
075231402 / C075231402

\* NEW PART

X AS REQUIRED

# LIGHTING SYSTEM

450 EXC RACING EU 2007



| FIG | PART NUMBER | DESCRIPTION                    | QTY |
|-----|-------------|--------------------------------|-----|
| 1   | 54814001000 | HEAD LIGHT CPL. 2005           | 1   |
| 2   | 54814001050 | RUBBER CAP FOR HEAD LIGHT 05   | 1   |
| 3   | 44111038000 | BILUX-BULB 12V 35/35W BA20D    | 1   |
| 4   | 0081500181  | SCREW FOR PLASTIC D=5X18       | 2   |
| 5   | 0014050603  | HH COLLAR SCREW M 5X60 WS=6    | 1   |
| 6   | 54808008000 | SPACER HOSE F. HEAD LIGHT MASK | 1   |
| 7   | 49011435100 | BULB 12V 5W (W2,1X9,5D) PHIL.  | 1   |
| 8   | 54811001050 | CABLE FOR HEAD LIGHT 2005      | 1   |
| 20* | 50314040200 | REAR LIGHT CPL. EXC 07         | 1   |
| 21  | 50314041100 | REAR LIGHT LENS 125-380 EGS'98 | 1   |
| 22  | 0021060003  | WASHER DIN9021-A 6,4           | 2   |
| 23  | 0985060003  | SELF LOCK. NUT DIN0985-M 6     | 2   |
| 24  | 50311076000 | WIRING HARNESS REAR 125-380'98 | 1   |
| 25  | 58414042000 | BULB 12V 21/5W (BAY15S)REINFO. | 1   |
| 26  | 50314041200 | REAR LIGHT LENS 04             | 1   |
| 27  | 54811076050 | LAMP HOLDER 04                 | 1   |
| 28  | 0981350323  | SHEET MET. SCR. DIN7981 3,5X32 | 2   |
| 29  | 0017060203  | EJOT PT SCREW K60X20 WS=6      | 2   |
| 30  | 54814025100 | FLASHER CPL.FRONT L/S REAR R/S | 2   |
| 31  | 54814026100 | FLAHER CPL. FRONT R/S REAR L/S | 2   |
| 32  | 44111015100 | BULB 12V 10W (BA15S)           | 4   |
| 33  | 0125100003  | WASHER DIN0125-A10,5           | 4   |
| 34  | 0797100003  | LOCK WASHER DIN6797-J10,5 ZI   | 4   |
| 35  | 58414030000 | HH COLLAR NUT M10X1,25 WS=13   | 4   |
| 36  | 54814028000 | FLASHER LENS L/S R/S 05        | 4   |

065231400 / C075901400

\* NEW PART

X AS REQUIRED

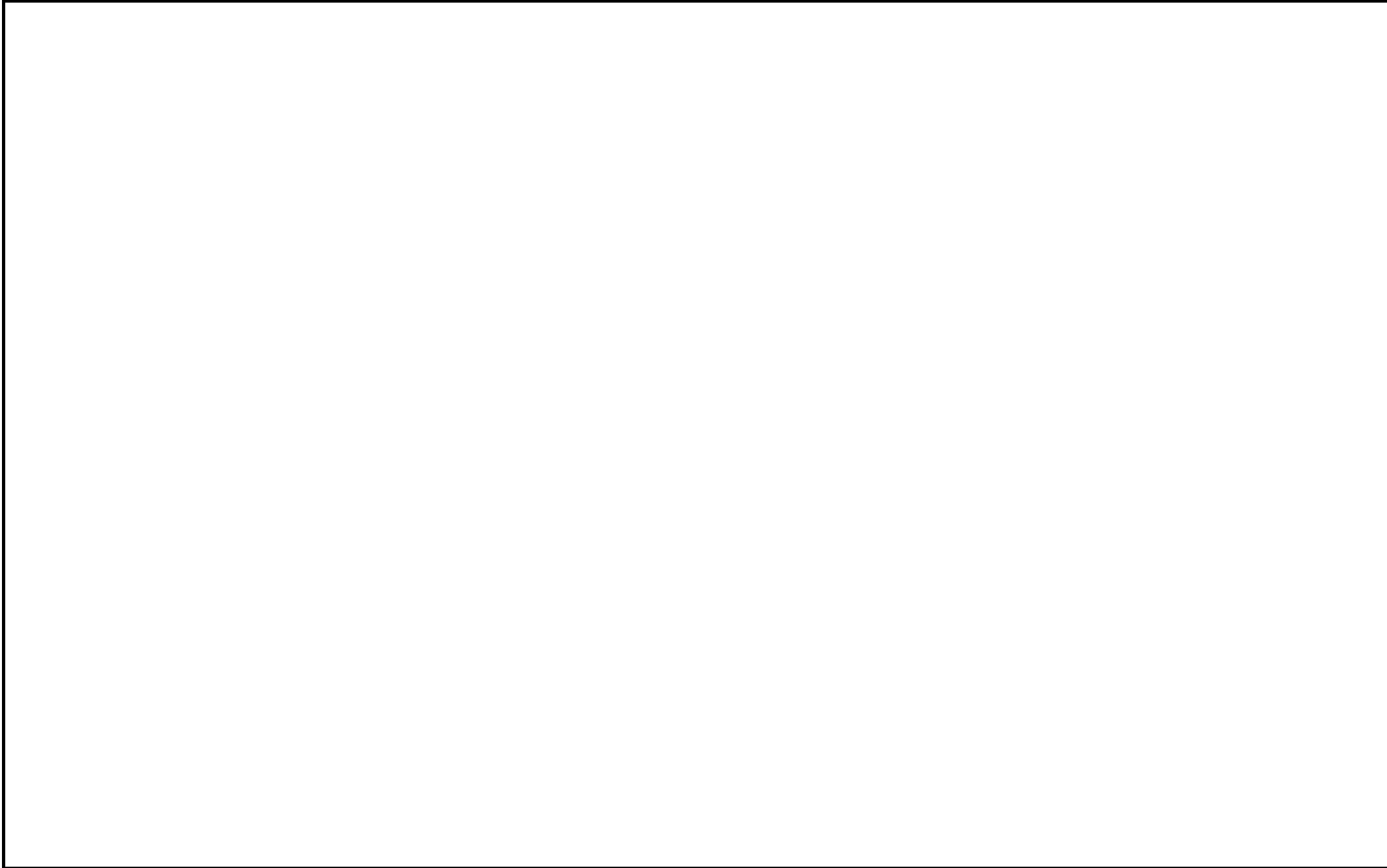


| FIG | PART NUMBER  | DESCRIPTION                    | QTY |
|-----|--------------|--------------------------------|-----|
| 0   | 312305       | DOCUMENTS BAG 2006             | 1   |
| 0   | 312313       | KTM BALLPOINT ORANGE           | 1   |
| 0   | 3210039      | CUSTOMER WELCOME LETTER        | 1   |
| 0   | 3211145      | OWNERS MANUAL 250-525 RAC. 07  | 1   |
| 0   | 3CF8460G3EN  | PARTS-MAN.CHASSIS 450EXC AUS07 | 1   |
| 0   | 3CM089231GEN | PARTS-MAN. ENGINE 450 EXC 2007 | 1   |

070002000 / C075902007

\* NEW PART

X AS REQUIRED







KTM-Sportmotorcycle AG  
A-5230 Mattighofen  
[www.ktm.at](http://www.ktm.at)

KTM Group Partner



3CF8403G3EN



Art.Nr.: 3CF8403G3EN 5/2006