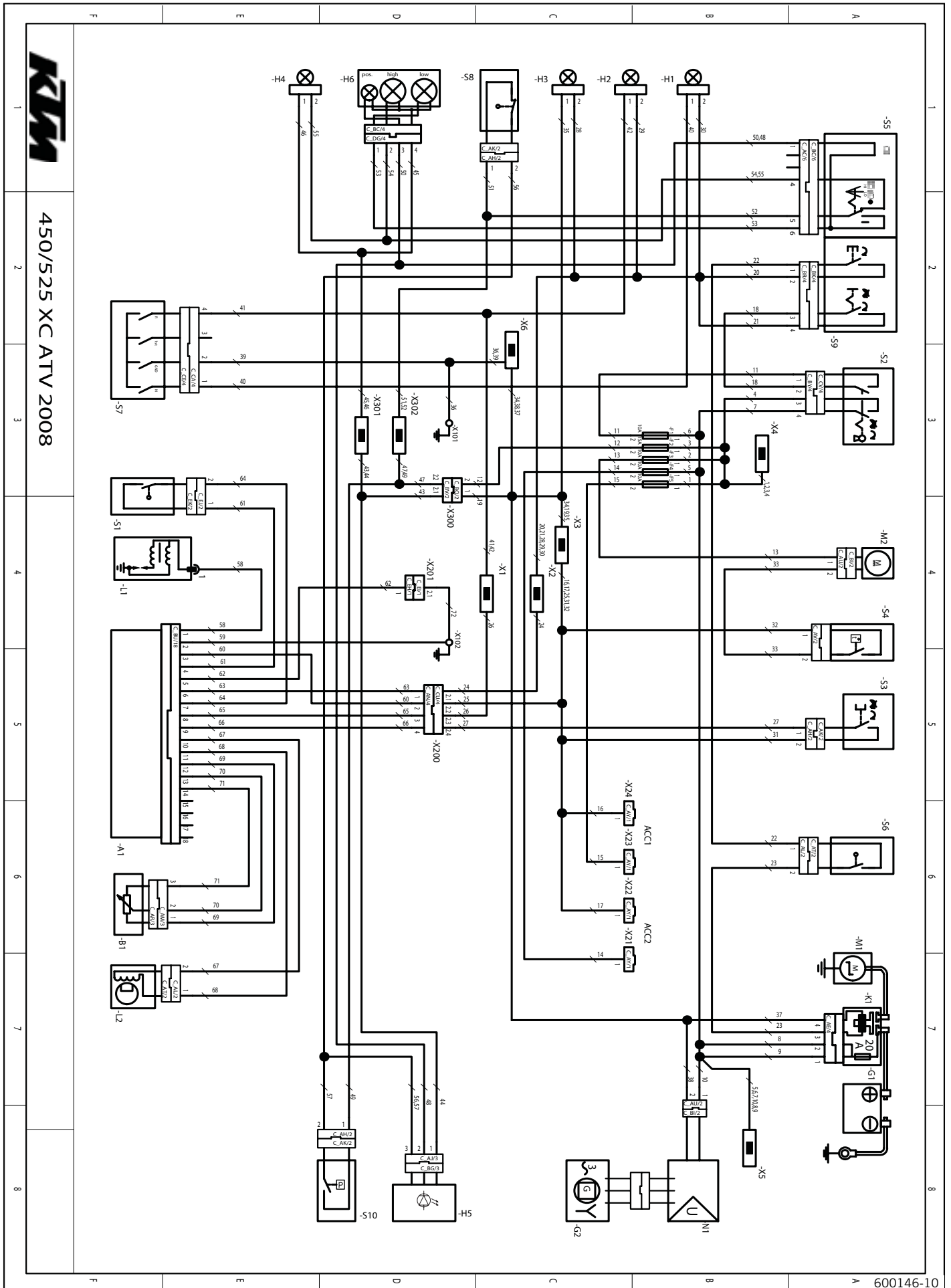


## 450/525 XC ATV



## Components

A1	CDI controller
ACC1	Socket connector for auxiliary devices (switching on with ignition)
ACC2	Socket connector for auxiliary devices (permanent positive)
B1	Throttle valve sensor <b>TPS</b>
G1	Battery
G2	Generator
H1	Idling speed indicator lamp
H2	Reverse gear indicator lamp
H3	Ignition indicator lamp
H4	High beam indicator light
H5	Brake / tail light
H6	Headlight
K1	Starter relay with fuse
L1	Ignition coil
L2	Pulse generator
M1	Starter motor
M2	Radiator fan
N1	Voltage regulator/rectifier
S1	Switch for throttle lever
S2	Ignition switch
S3	Emergency OFF switch with rip cord
S4	Temperature switch for radiator fan
S5	Light switch
S6	Clutch switch
S7	Gear sensor switch
S8	Front brake light switch
S9	Electric starter button, <b>ENG. STOP</b> switch
S10	Rear brake light switch
X201	Ignition curve plug connection

## Cable colors

1	green
2	green
3	green
4	green
5	white-red
6	white-red
7	white-red
8	white-red
9	white-red
10	white-red
11	red
12	yellow
13	white-black
14	yellow-red
15	black-red
16	brown
17	brown
18	yellow-red
19	brown
20	orange
21	orange

22	yellow
23	blue-red
24	orange
25	brown
26	yellow-green
27	black-yellow
28	orange
29	orange
30	orange
31	brown
32	brown
33	black
34	brown
35	brown
36	brown
37	brown
38	brown
39	brown
40	black-green
41	yellow-green
42	yellow-green
43	brown
44	brown
45	brown
46	brown
47	yellow
48	white
49	yellow
50	white
51	yellow
52	yellow
53	green
54	blue
55	blue
56	white-green
57	white-green
58	white-blue
59	brown
60	white
61	blue-red
62	green
63	white-red
64	white-black
65	yellow-green
66	black-yellow
67	red
68	green
69	blue
70	yellow
71	black