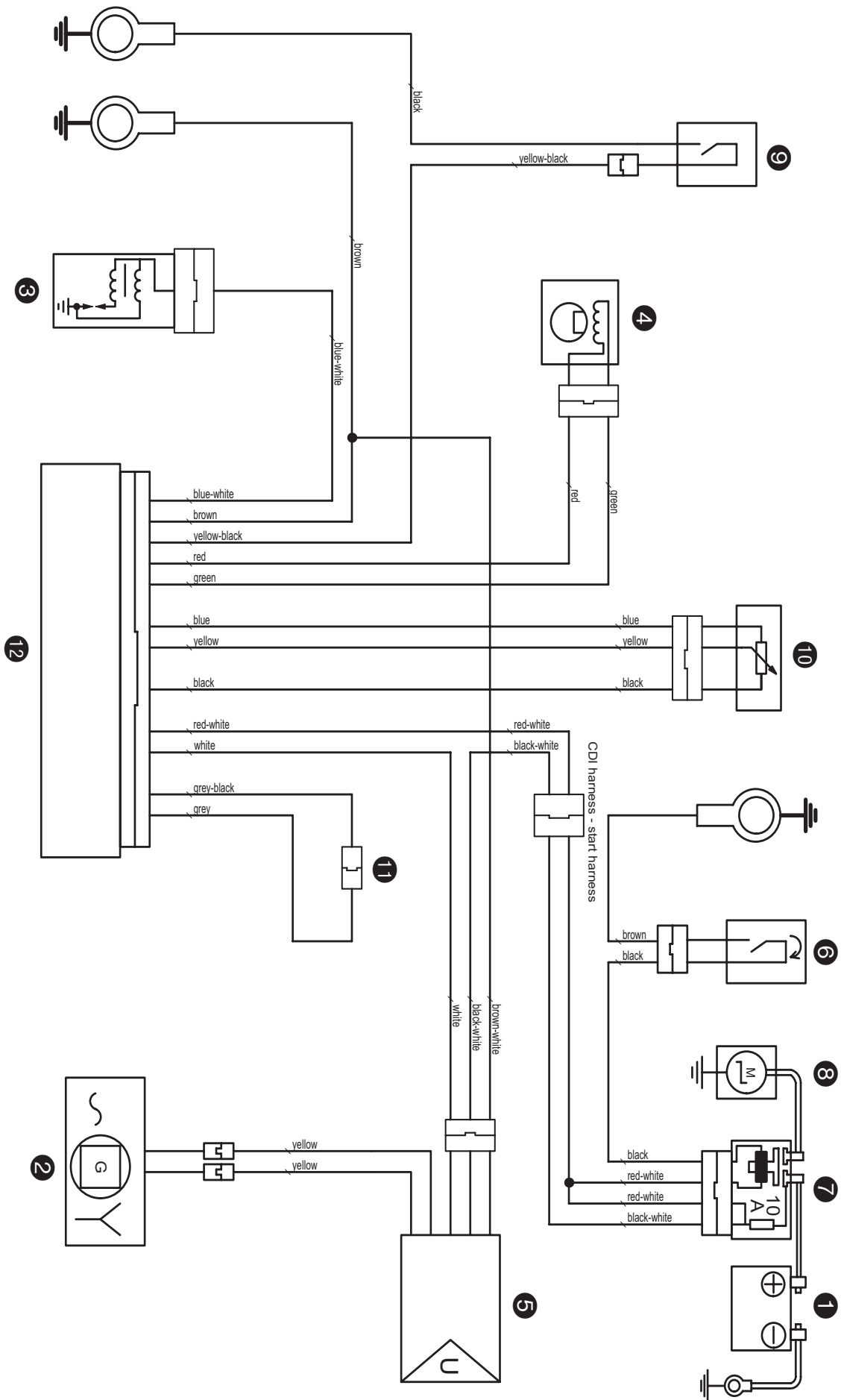


WIRING DIAGRAM



main harness 773.11.075.000
CDI harness 773.39.032.000

1	Battery
2	Generator
3	Ignition coil
4	Pulse generator
5	Voltage regulator/rectifier
6	Starter button
7	Starter relay
8	Starter motor
9	Short circuit button
10	Throttle valve sensor TPS
11	ignition curve plug connection
12	CDI controller
