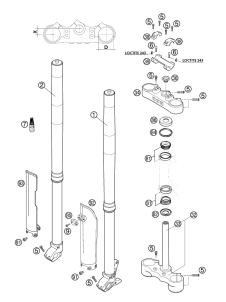
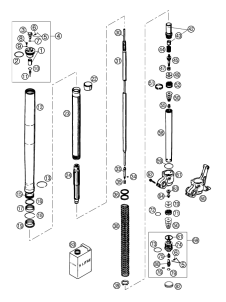
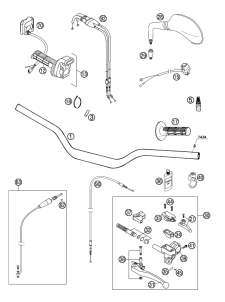
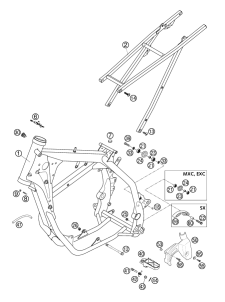
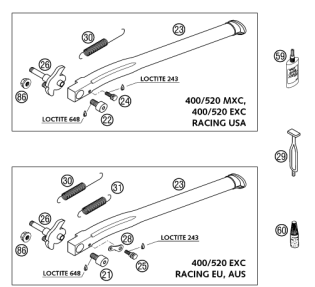
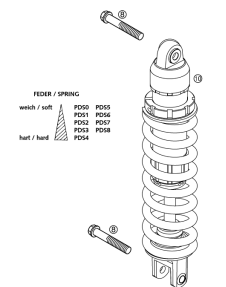
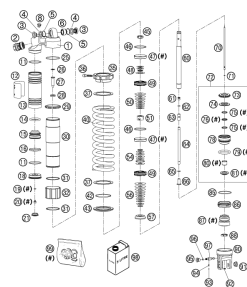
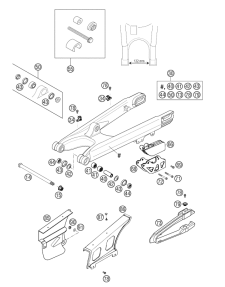
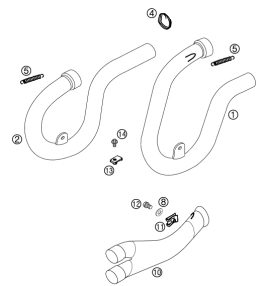
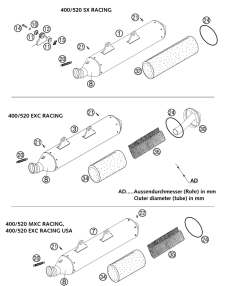
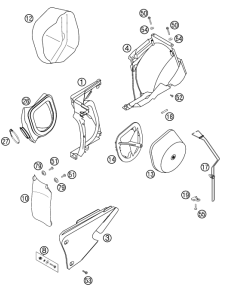
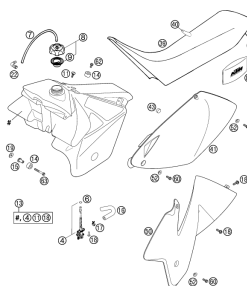
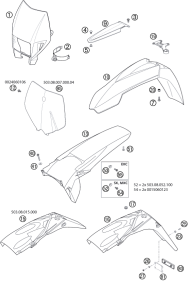
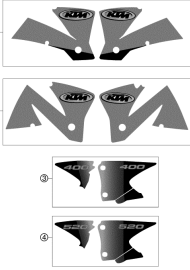
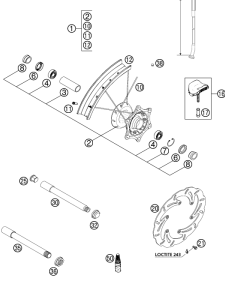
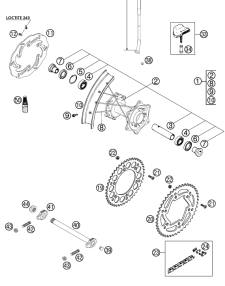
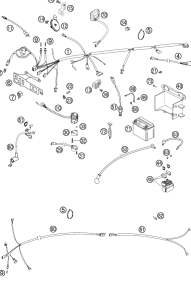
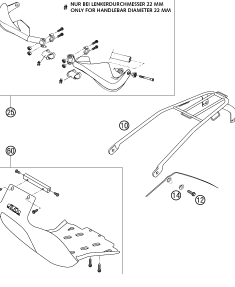
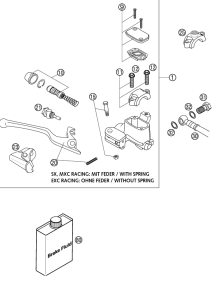
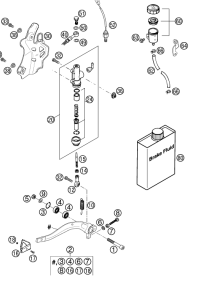
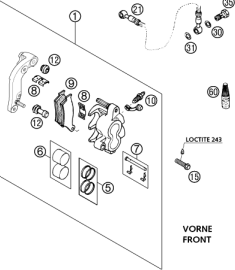
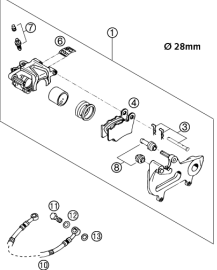
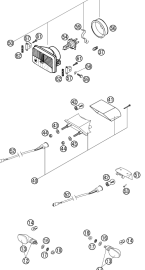
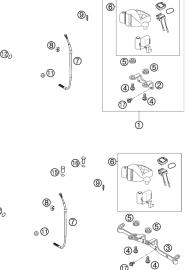


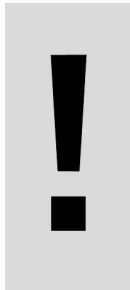
520 EXC RACING 2002

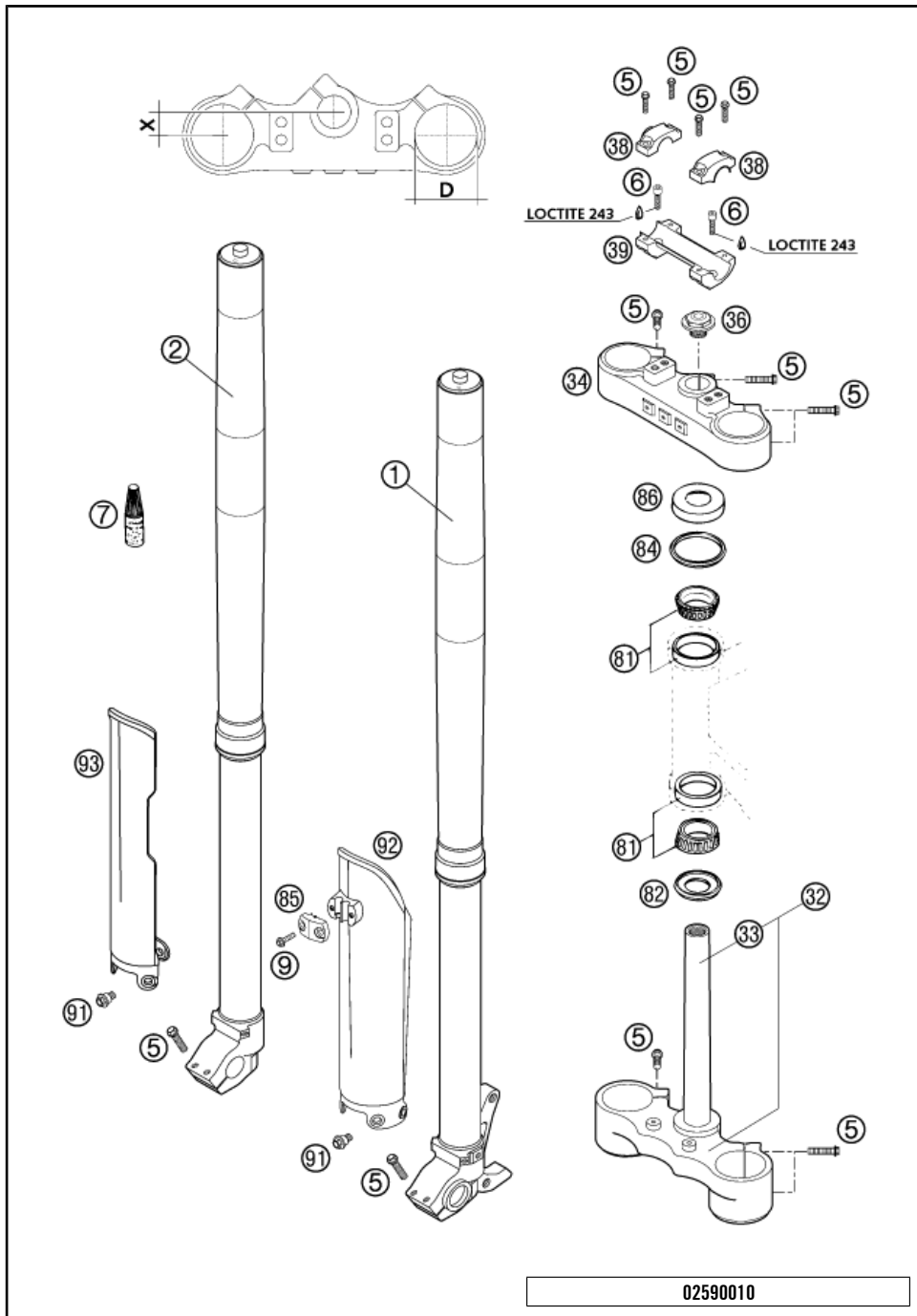
ART.-NR.: 3CF850323EN



<p>FRONT FORK, TRIPLE CLAMP</p>  <p style="text-align: right;">4</p>	<p>FRONT FORK DISASSEMBLED</p>  <p style="text-align: right;">5</p>	<p>HANDLEBAR, CONTROLS</p>  <p style="text-align: right;">8</p>	<p>FRAME</p>  <p style="text-align: right;">9</p>
<p>SIDE / CENTER STAND</p>  <p style="text-align: right;">11</p>	<p>SHOCK ABSORBER</p>  <p style="text-align: right;">12</p>	<p>SHOCK ABSORBER DISASSEMBLED</p>  <p style="text-align: right;">13</p>	<p>SWING ARM</p>  <p style="text-align: right;">17</p>
<p>EXHAUST SYSTEM</p>  <p style="text-align: right;">18</p>	<p>MAIN SILENCER</p>  <p style="text-align: right;">19</p>	<p>AIR FILTER</p>  <p style="text-align: right;">20</p>	<p>TANK, SEAT, COVER</p>  <p style="text-align: right;">21</p>

<p>MASK, FENDERS</p>  <p style="text-align: right;">22</p>	<p>DECAL</p>  <p style="text-align: right;">23</p>	<p>FRONT WHEEL</p>  <p style="text-align: right;">24</p>	<p>REAR WHEEL</p>  <p style="text-align: right;">25</p>
<p>WIRING HARNESS</p>  <p style="text-align: right;">27</p>	<p>ACCESSORIES</p>  <p style="text-align: right;">29</p>	<p>HAND BRAKE CYLINDER</p>  <p style="text-align: right;">30</p>	<p>REAR BRAKE CONTROL</p>  <p style="text-align: right;">31</p>
<p>BRAKE CALIPER FRONT</p>  <p style="text-align: right;">32</p>	<p>BRAKE CALIPER REAR</p>  <p style="text-align: right;">33</p>	<p>LIGHTING SYSTEM</p>  <p style="text-align: right;">34</p>	<p>INSTRUMENTS / LOCK SYSTEM</p>  <p style="text-align: right;">35</p>

		<p>All information contained is without obligation. KTM Sportmotorcycle GmbH particularly reserves the right to modify any equipment, technical specifications, prices, colors, shapes, materials, services, service work, constructions, equipment and the like so as to adapt them to local conditions or to cancel any of the above items, all without previous announcement and without giving reasons. KTM may stop manufacturing certain models without previous notice. KTM shall not be held liable for any deviations of availability and/or ability to deliver, illustrations, descriptions, printing and/or other errors. The illustrated models partly contain extra equipment, which is not applied to standard models.</p> <p>© by KTM Sportmotorcycle GmbH, Mattighofen AUSTRIA; All rights reserved; Reprint, also in extracts, with written allowance of KTM Sportmotorcycle GmbH, Mattighofen only.</p>	



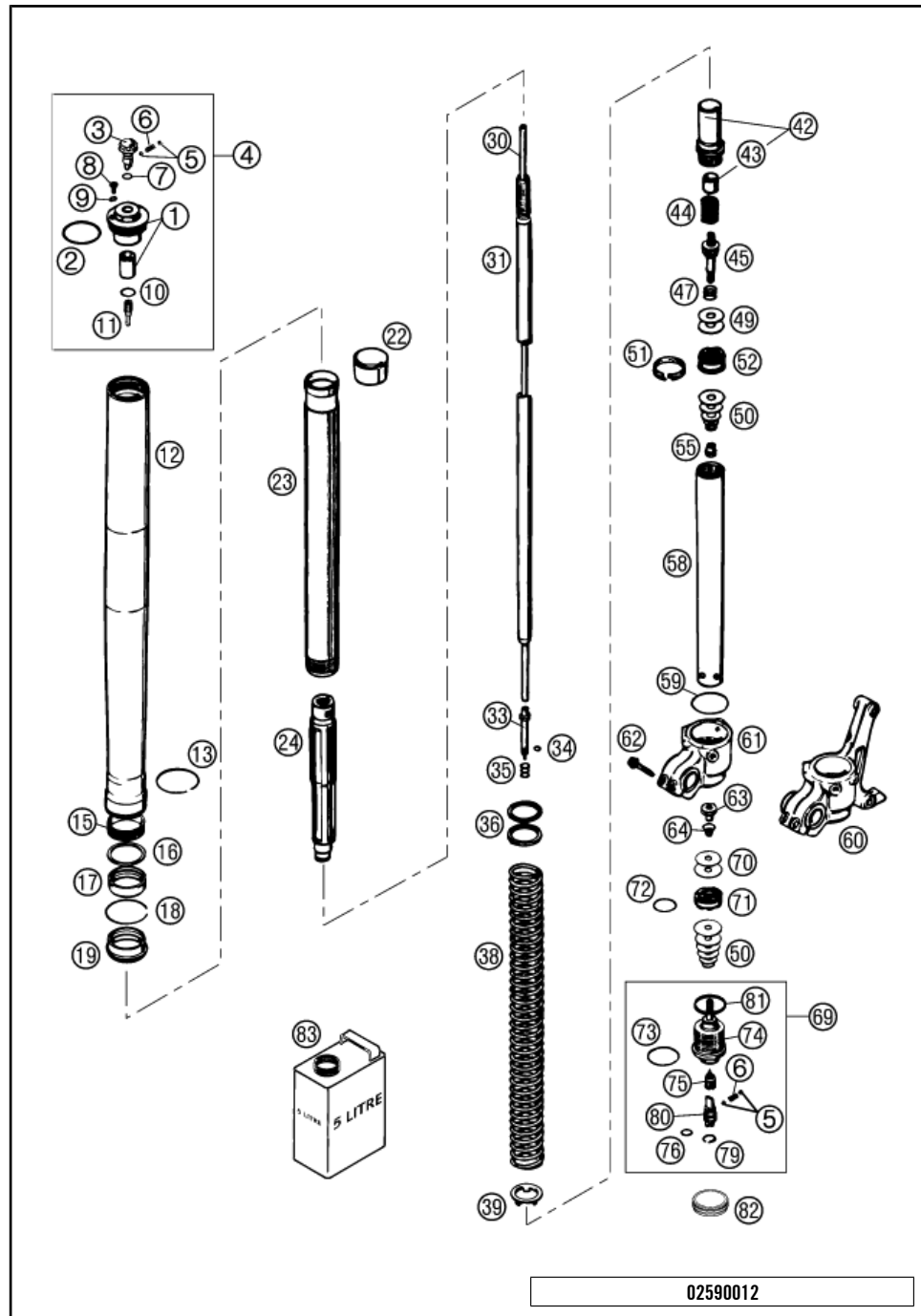
POS	PARTNUMBER	PARTNAME	PIECE
1	1418W710LS	FORK LEG L/S WP48 SX RAC. 2002 SX RACING	1
1	0518W712LS	FORK LEG L/S WP43 EXC RAC.2002 MXC, EXC RACING	1
2	1418W710RS	FORK LEG R/S WP48 SX RAC. 2002 SX RACING	1
2	0518W712RS	FORK LEG R/S WP43 EXC RAC.2002 MXC, EXC RACING	1
5	0015080303	HH COLLAR SCREW M 8X30 WS=10	17
6	0912100250	AH SCREW DIN6912-M10X25,10.9	2
7	6899785	LOCTITE 243 BLUE 5 ML	1
9	0017060203	EJOT PT SCREW K60X20 WS=6	2
32	59001132020	BOT.TRIP.CL.CPL.X=20MM/D=57M MXC, EXC RACING	1
32	59001032120	BOT.TRIP.CL.CPL.X=20MM/D=60M SX RACING	1
33	50101033100	FORK TUBE L=244 '91	1
34	59001034020	TOP TRIPLE CLAMP X=20MM/D=54	1
36	50301036000	STEER.HEAD SCREW M20X1,5 WS=27	1
38	59001038200	HANDLEBAR CLAMP D=28MM 2000	2
39	59001039100	HANDLEBAR SUPPORT 28MM SC'99	1
81	54201081000	TAPERED ROLLER BEARING CPL.	2
82	54601084100	O-RING SUPPORT W. SEALING LIP	1
84	54601184000	STEERING HEAD GASKET TOP	1
85	59001085100	CLAMP F.SPEED.CABLE D=6MM 2001	1
86	54201086000	STEERING HEAD COVER	1
91	59001092050	SPECIAL SCREW M6X12,5 WS=8	6
92	59001092100	FORK PROTECTION L/S BLACK 20	1
93	59001093100	FORK PROTECTION R/S BLACK 20	1

02590010

606

* NEW PART

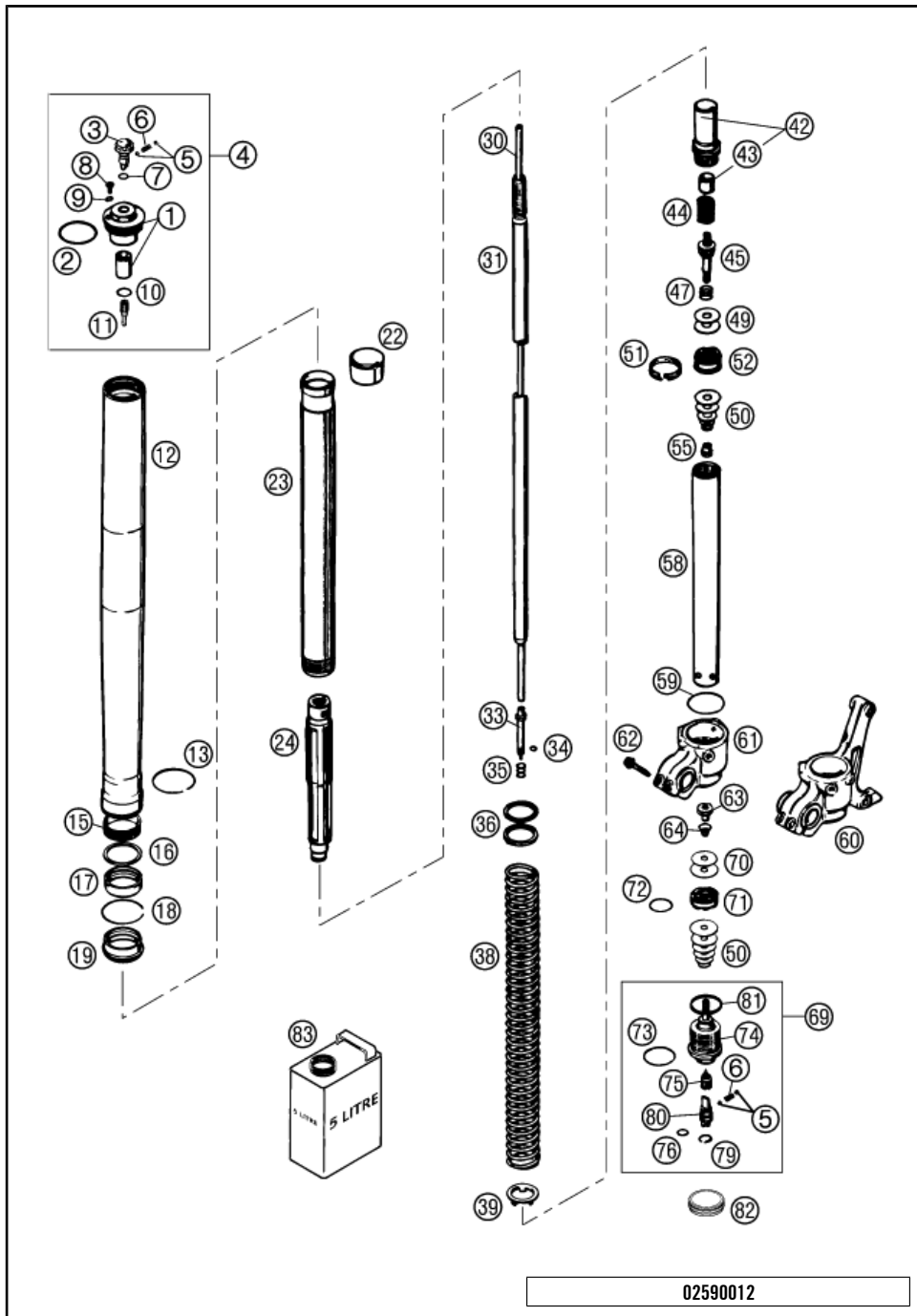
X ON DEMAND



POS	PARTNUMBER	PARTNAME	PIECE
1	48600020S	SREW CAP+BUSH M51X1,5	2
2	46810340	O-RING NBR 45X2	2
3	48600018	KNOB REBOUNG ADJUSTER	2
4	48600020S1	SCREW CAP M51X1,5 CPL.	2
5	40540603	STEEL BALL D=3MM	8
6	48600028	SPRING D=2,9 L=7,9	4
7	48600044	O-RING NBR 6X1,5	2
8	48600058	VENT SCREW M4X6	2
9	48600009	O-RING NBR 3,7X1,6	2
10	48600043	O-RING NBR 12X1,5	2
11	48600019	HOLDER F.ADJUSTMENT TUBE D=4MM	2
12	43570125	OUTER TUBE L=577MM D=54/57MM	2
13	43570099	GUIDING RING D=53MM	2
15	43570019	DU-BUSH 47 X 43 X 20	2
16	43570092	SUPPORT RING 45 X 52,5 X 1,5	2
17	43570140	OIL SEAL RING 43X53,15X9,5	2
18	43570008	LOCK WASHER SB53	2
19	43570094	DUST STRIPPER D=43MM	2
22	43570020	DU-BUSH 43,8 X 43 X 20	2
23	43570145	INNER TUBE D=43MM L=585MM	2
24	43570142S	HYDR.STOP L=200MM D=27,5 CPL	2
30	48600014	ADJUSTMENT TUBE L=512MM	2
31	48600023	PISTONR. D=14MM L=546MM M11X1	2
33	48600150	* REBOUND NEEDLE	2
34	48600046	O-RING NBR 3X1,5	2
35	48600033	SPRING REBOUND NEEDLE C=4N/MM	2
36	48600036	SPACER 42X26,5X2,5	x
36	48600037	SPACER 42X26,5X5	x
36	48600038	SPACER 42X26,5X10	x
36	48600053	SPACER 42X26,5X1,5	x
38	95010010S	SPRING 3,6 N/MM SET D=4,6MM	x
38	95010001S	SPRING 3,8 N/MM SET D=4,75	x
38	95010002S	SPRING 4,0 N/MM SET D=4,75MM	x
38	95010003S	SPRING 4,2 N/MM SET D=4,9MM	1
38	95010004S	SPRING 4,4 N/MM SET D=4,9MM	x
39	43570131	INTERM. RING 26,2X38,5X3	2
42	43570132S	SCREW SLEEVE M29,3X1+BUSH	2
43	46810651	DU-BUSH 14X16X12	2

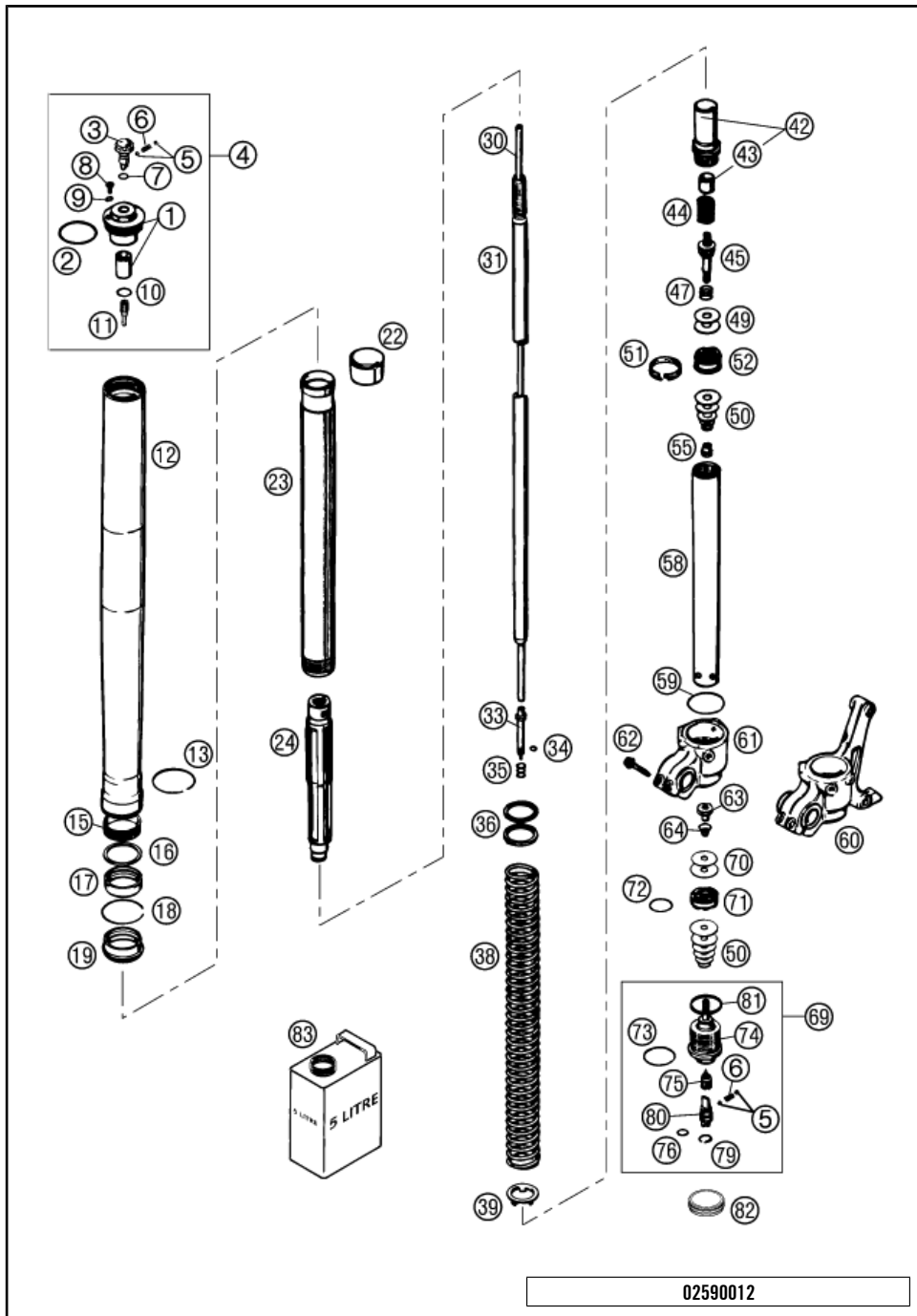
608

* NEW PART X ON DEMAND



POS	PARTNUMBER	PARTNAME	PIECE
44	48600015	REBOUND SPRING D=14,6MM L=22MM	2
45	48600151	TAB REBOUND	2
47	35480377	SPRING CHECK VALVE D=0,5	2
49	48600062	CHECK VALVE 8X24X0,1	8
49	40541408	SHIM 6X8,0X0,30	x
49	40541414	SHIM 6X8,0X0,10	x
49	40541416	SHIM 6X8X0,3	x
50	40540400	SHIM 6X12X0,1	x
50	40540401	SHIM 6X14X0,1	x
50	40540402	SHIM 6X16X0,1	x
50	40540403	SHIM 6X18X0,1	x
50	40540404	SHIM 6X12X0,15	x
50	40540405	SHIM 6X14X0,15	x
50	40540406	SHIM 6X16X0,15	x
50	40540407	SHIM 6X18X0,15	x
50	40540411	SHIM 6X18X0,2	x
50	40540414	SHIM 6X16X0,25	x
50	40540447	SHIM 6X10X0,3	x
50	40541383	SHIM 6X11X0,1	x
50	40541402	SHIM 6X11X0,2	x
50	40541391	SHIM 6X11X0,3	x
50	48600063	SHIM 6X24X0,1	x
50	48600064	SHIM 6X22X0,1	x
50	48600065	SHIM 6X20X0,1	x
50	48600116	SHIM 6X24X0,1 DELTA	x
50	48600139	SHIM 6X22X0,1 DELTA	x
51	48600060	PISTON RING 5X1X84	2
52	48600042	PISTON REBOUND D=27,7	2
55	40540486	NUT M6X0,5 REBOUND	2
58	48600081	TUBE 29,3X1X390 D=8,5MM	2
59	43570023	O-RING NBR 41X2	2
60	43570124	AXLE CLAMP L/S 260MM M8 2000	1
61	43570123	AXLE CLAMP RIGHT M8 2000	1
62	50600061	HH COLLAR SCREW M 8X30	4
63	40541241	CHECK VALVE NUT M6X0,5	2
64	40541278	SPRING CHECK VALVE D=0,5MM	2
69	48600152S	TAP COMPRESSION CPL.	2
70	48600061	CHECK VALVE 8X24X0,4	2

* NEW PART X ON DEMAND



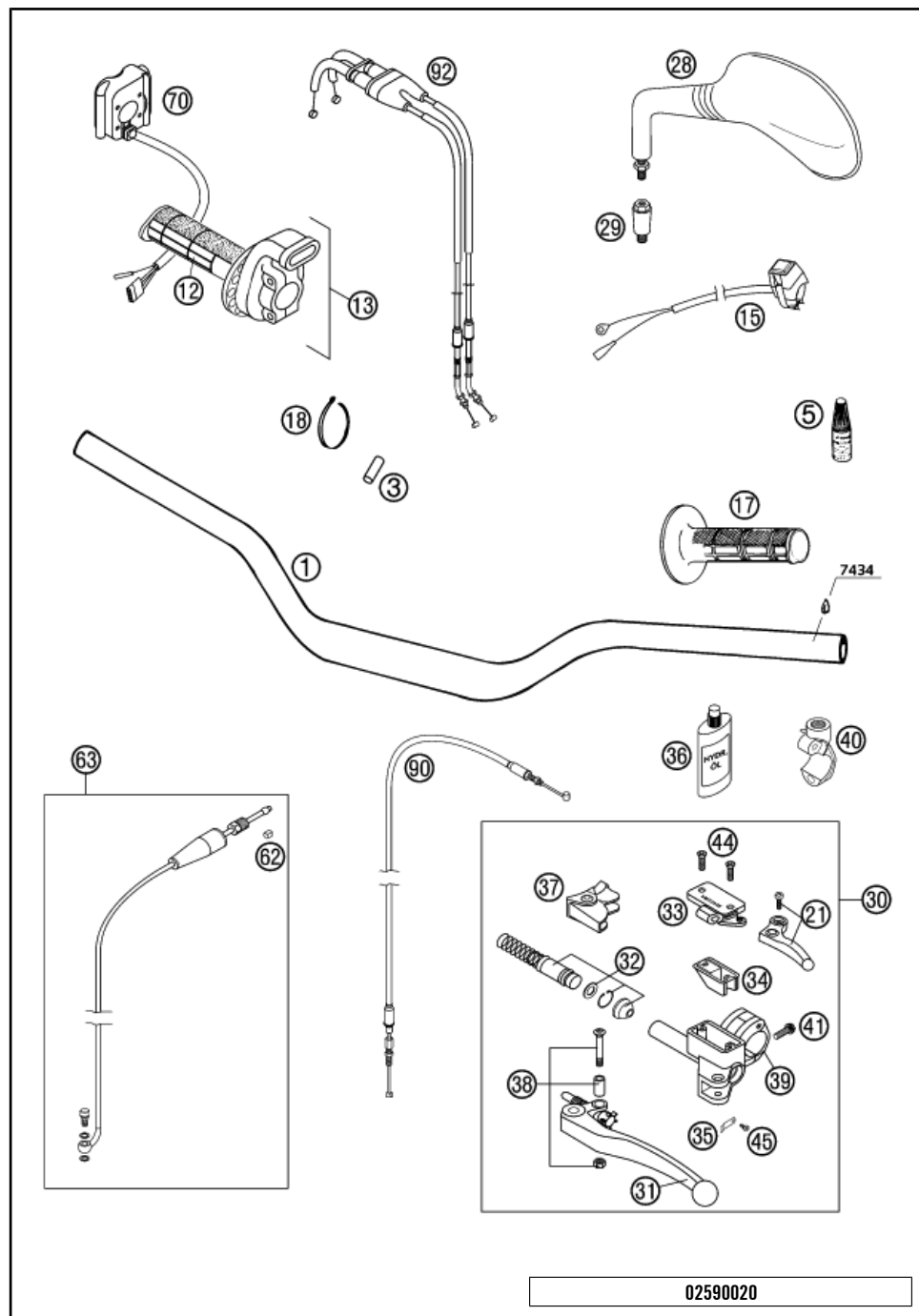
POS	PARTNUMBER	PARTNAME	PIECE
70	40541408	SHIM 6X8,0X0,30	X
71	48600047	PISTON COMPRESSION D=27,9	2
72	46811499	O-RING NBR 21X2	2
73	35480320	O-RING NBR 24X2	2
74	48600152	TAP COMPRESSION	2
75	48600153	NEEDLE COMPRESSION M10X1	2
76	48600049	O-RING NBR 8X2	2
79	48600051	LOCK WASHER RB12	2
80	48600034	COMPRESSION ADJ. SCREW	2
81	48600004	COPPER WASHER 29,5X33,5X1	2
82	48600141	RUBBER CAP D=35MM	2
83	40540882	FORKOIL REZ 71 SAE 5	1

02590012

608

* NEW PART

X ON DEMAND



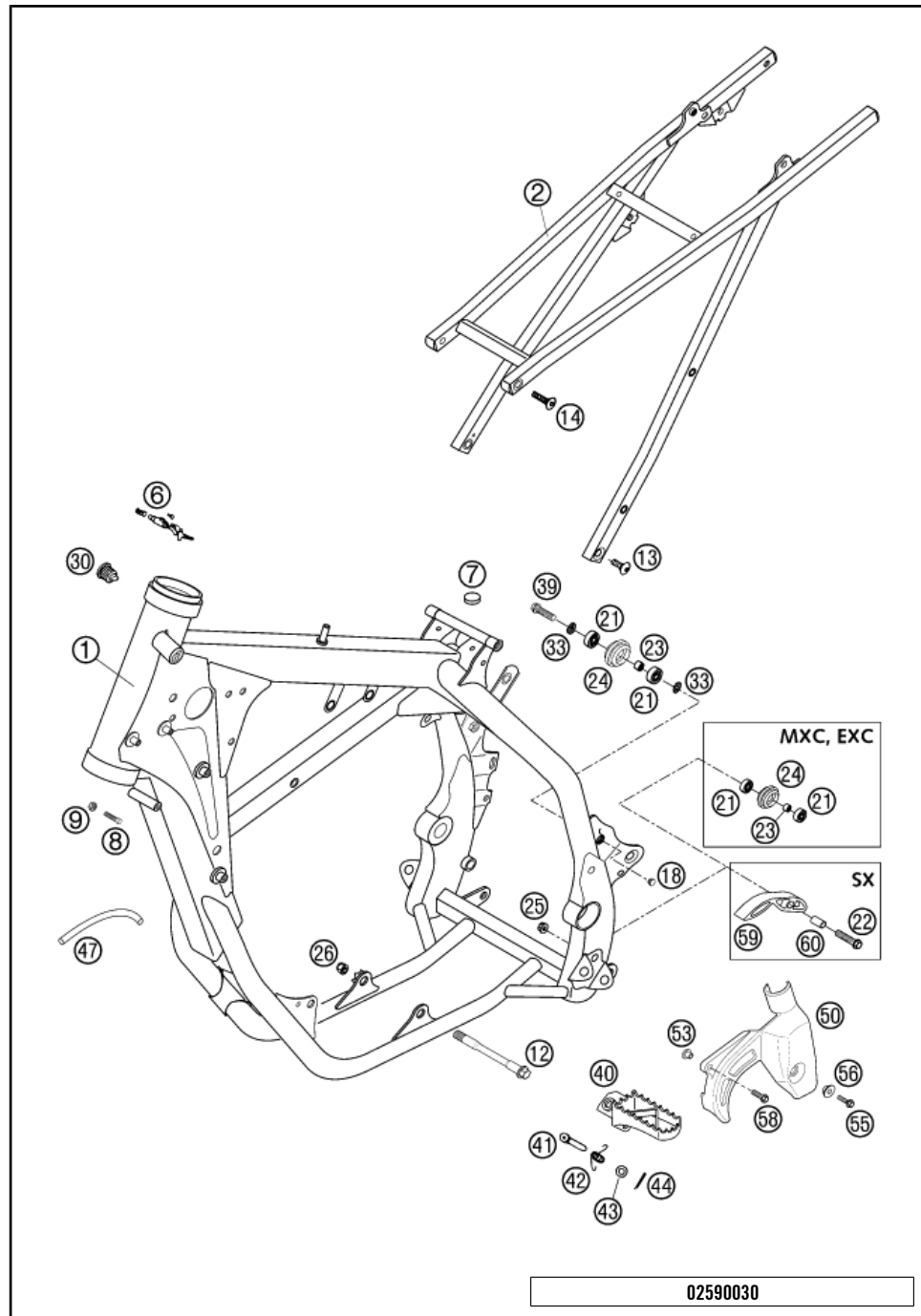
POS	PARTNUMBER	PARTNAME	PIECE
0	58412041000	MIRROR R/S '98	1
1	59002001000	HANDLEBAR 28MM HIGH 2000	1
3	58007016001	FUEL HOSE VITON 7X2MM	0
5	6899792	GRIP GLUE	1
12	50202003000	TWIST GRIP COVER DOMINO BLACK	1
13	59002010200	THROTTLE GRIP CPL.RACING2000	1
15	50311089200	SHORT CIRCUIT BUTTON 02 SX RACING	1
17	50202052000	FIXED GRIP DOMINO BLACK '95	1
18	44011076200	CABLE TIE 200/3,6MM BLACK	x
18	44011076100	CABLE TIE 100/2,5MM BLACK	x
21	59002047000	LEVER CPL. RACING 2000	1
28	58412040000	MIRROR L/S '98	1
29	58412040050	SUPPORT FOR MIRROR LC4 '98	2
30	59002030000	MASTERCYLINDER CPL.RACING '00	1
31	50302031000	CLUTCH LEVER CPL. 125-200 '98	1
31	50302031100	CLU.LEVER SHORT CPL. 2T 2000	x
32	59002032000	REP.KIT PISTON 9,5MM RAC. 2000	1
33	59002033000	COVER HYD.CLUTCH RACING 2000	1
34	50302034000	RUBBER FOR RESERVOIR '98	1
35	50302035000	SPRING PLATE FOR LEVER '98	1
36	50302036000	OIL FOR HYD.CLUTCH 50ML	1
37	50302037000	PROTECT.CAP FOR LEVER PERCH'98	1
38	50302038000	LEVER SCREW CPL. 125-200 '98	1
39	50302030150	CLAMP WITH PIN 2000	1
40	59002044000	CLAMP MIRROR WITH PIN	x
41	0015060203	HH COLLAR SCREW M 6X20 WS=8	1
44	0965040123	FLAT HEAD SCREW DIN0965-M 4X12	2
45	0984030063	AH SCREW DIN7984-M 3X 6	1
62	50332063050	SELF CUTTING RING HYDR.PIPE	x
63	59032063000	PIPE KIT CPL. RACING 2000	1
70	59011074000	START-STOP TIP SWITCH CPL MXC, EXC RACING USA	1
70	59011074200	START-STOP TIP SWITCH 2001 EXC RACING EU, AUS	1
90	59002094000	DECOMPR. CABLE RACING 2000	1
92	59002091200	THR.CABLE"OPEN-CLOSE" RAC.20	1

02590020

609

* NEW PART

X ON DEMAND



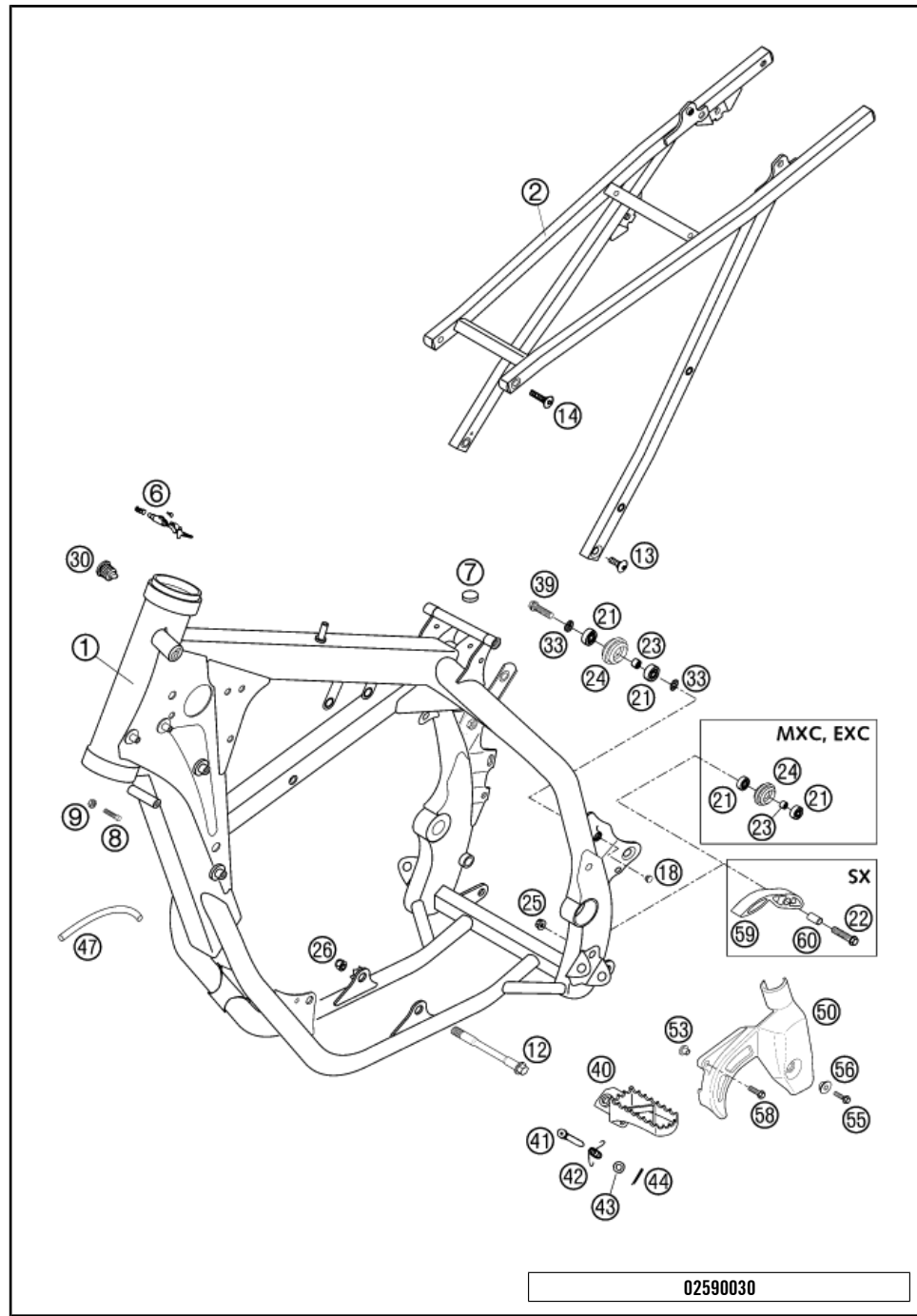
POS	PARTNUMBER	PARTNAME	PIECE
0	59003041050	FOOT PED R/S EXC SILVER 2000 MXC, EXC RACING	1
0	59003041250	FOOT PEG R/S SILVER 02 SX RACING	1
1	59003001000	FRAME RACING SX (RO) 2000 FOR SX RACING, SILVER	1
1	59003001400	%FRAME 400/520 EXC RACING2001 WITH LOCK BODY, SILVER	1
2	59003002044	SUB FRAME CPL. ALU RACING 2000	1
6	71003007000	STEERING HEAD LOCK CPL. ZADI	x
7	50307020000	RUBBER BUFFER FOR TANK '98	2
8	59001037000	SPECIAL SCREW M8X26 WS=10	2
9	0934080003	HEXAGON NUT DIN0934-M 8	2
12	59003013000	ENGINEBRAC.SCREW M10X123 WS=13 QUALITY 10.9	2
13	54610052000	SPROCKET SCREW-AH M8X20 WS=6	2
14	54510052100	SPROCKET SCREW-AH M8X26 WS=6	2
18	54403135000	PLASTIC CAP SFL10	1
21	0625006087	GROOVED BALL BEAR. 608 2RS C3	x
22	0015080353	HH COLLAR SCREW M 8X35 WS=10	1
23	74003021000	BUSHING 8.2 X 12 X 6	x
24	52303053000	CHAIN ROLL D=30MM 125-380 '99	x
25	54310086200	SELF LOCKING NUT M8 10.9	1
26	54310086100	SELF LOCKING NUT M10 CU WS=14	1
30	42007049000	PLASTIC CAP	x
33	36003014000	LOCK WASHER 8MM	2
39	0015080303	HH COLLAR SCREW M 8X30 WS=10	1
40	59003040050	FOOT PED L/S EXC SILVER 00 MXC, EXC RACING	1
40	59003040250	FOOT PEG L/S SILVER 02 SX RACING	1
41	54603044000	BOLT FOR FOOTREST 9,8 X 50	2
42	54603041000	FOOTREST SPRING L/S & R/S	2
43	0125100003	WASHER DIN0125-A10,5	2
44	0094032253	PIN DIN0094-3,2X25 STEEL	2
47	55007016001	PVC-HOSE 7X10 PER METER	0
50	59030060100	SPROCKET COVER RACING 2002	1
53	59030060050	BUSHING F. SPROCKET COVER RAC.	1

02590030

610

* NEW PART

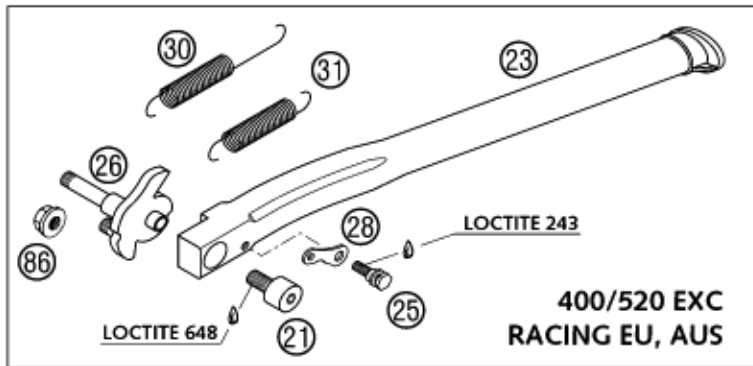
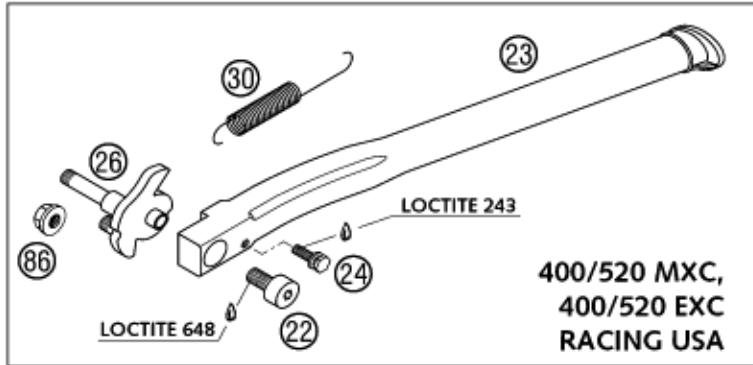
X ON DEMAND



POS	PARTNUMBER	PARTNAME	PIECE
55	0015060203	HH COLLAR SCREW M 6X20 WS=8	1
56	50308053000	BUSH FOR SPOILER 6X11X16X7,5	1
58	0015060403	HH COLLAR SCREW M 6X40 WS=8	1
59	51103053000	CHAIN SLIDING PIECE BELOW '97	1
60	51103053051	BUSHING 8,2X10X20	1

610

* NEW PART X ON DEMAND



POS	PARTNUMBER	PARTNAME	PIECE
21	50303023260	SIDE STAND SCREW EXC EU 20	1
22	50303023360	SIDE STAND SCREW EXC MXC 20	1
23	50303023000	SIDE STAND L=377MM '98	1
24	50303023052	BOLT SIDE ST.SPRING M5 EXC'98	1
25	50303023152	BOLT SIDE ST.SPRING M5 EGS'98	1
26	50303026100	SIDE STAND BRACKET CPL. 2002	1
28	50303023054	BRACKET FOR SPRING EGS '98	1
29	50303025000	RUBBER FOR SIDE STAND '98	1
30	50303024000	SIDESTAND SPRING 125-380EXC'98	1
31	10003021000	STAND SPRING SHORT	1
59	58429059000	LOCTITE 648 GREEN 24ML	1
60	6899785	LOCTITE 243 BLUE 5 ML	1
86	54310086200	SELF LOCKING NUT M8 10.9	1

02590031

611

* NEW PART

X ON DEMAND



10

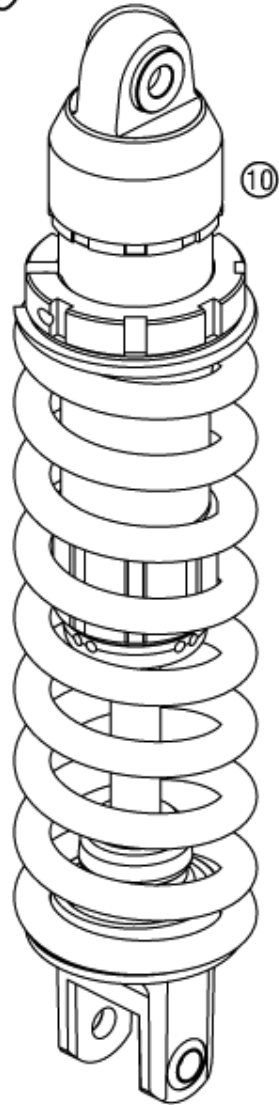
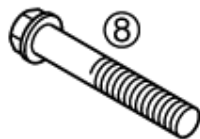
FEDER / SPRING

weich / soft



- PDS0 PDS5
- PDS1 PDS6
- PDS2 PDS7
- PDS3 PDS8
- PDS4

hart / hard



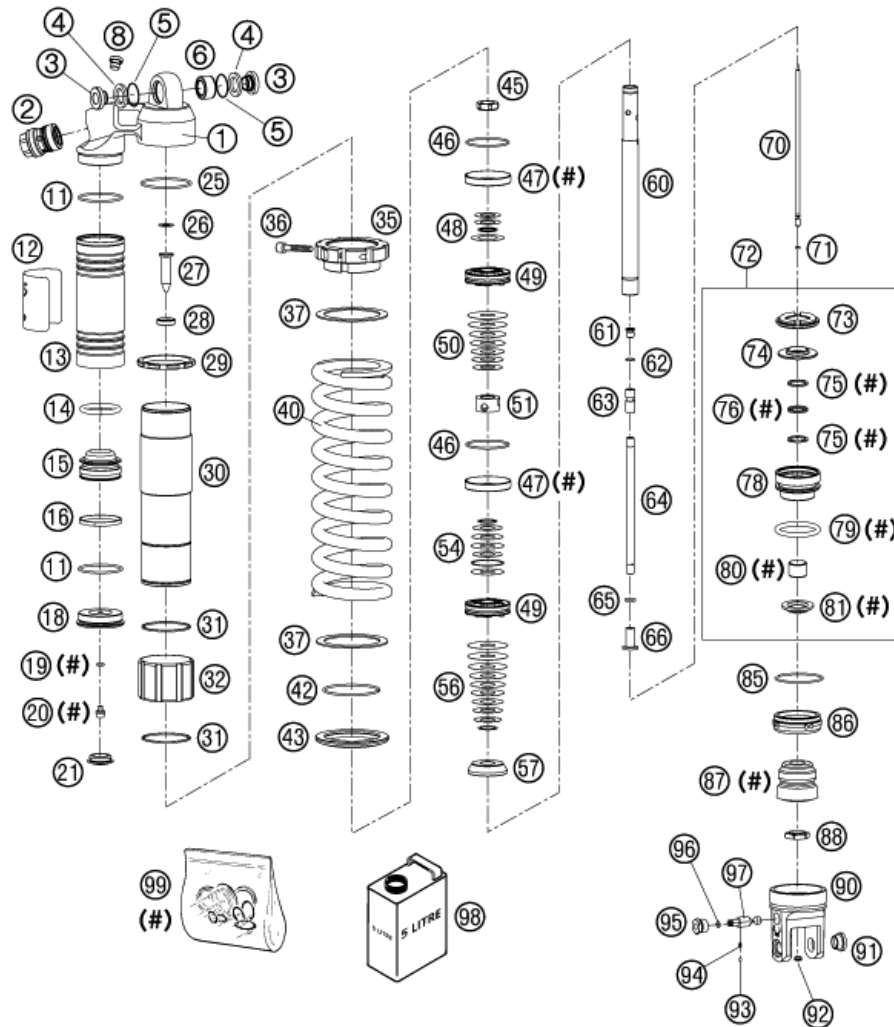
POS	PARTNUMBER	PARTNAME	PIECE
8	0015120556	HH COLLAR SCREW M12X55 WS=13	2
10	1218W738	SHOCK ABSORBER PDS SX 2002 SX RACING	1
10	1218W739	SHOCK ABSORBER PDS MXC, EXC 02 MXC, EXC RACING	1

02590041

614

* NEW PART

X ON DEMAND



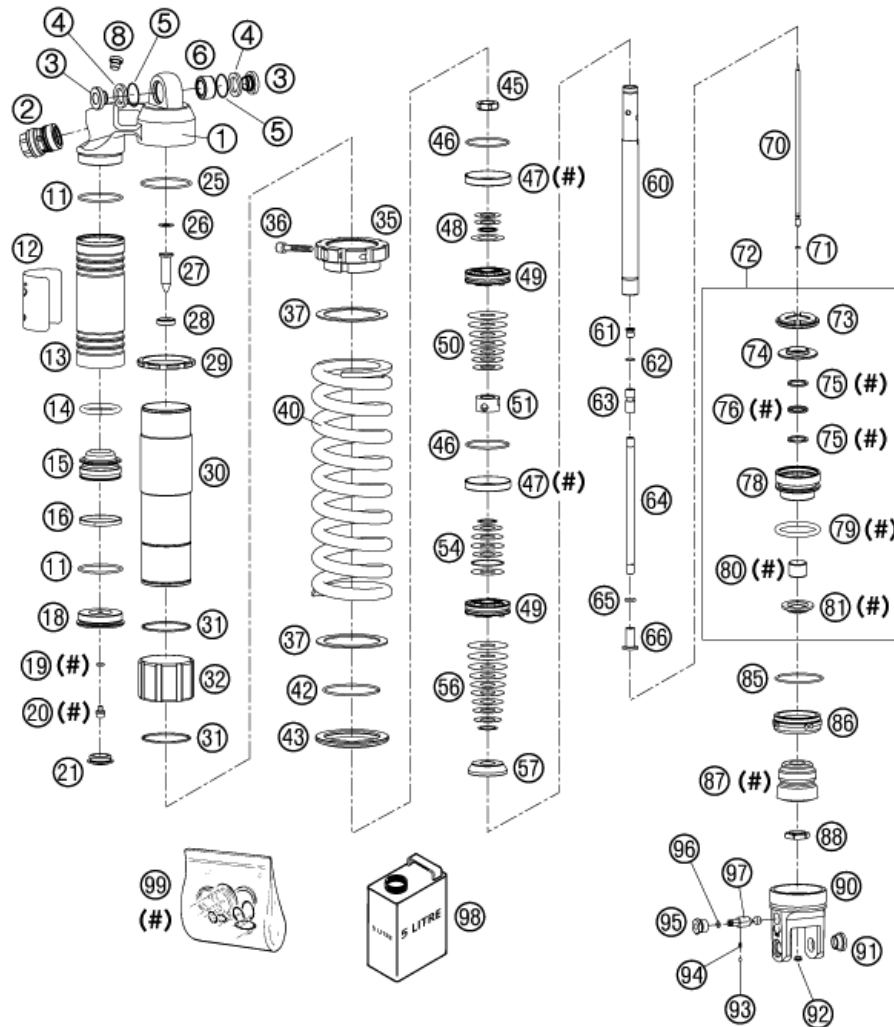
POS	PARTNUMBER	PARTNAME	PIECE
1	50180268	SHOCK ABSORBER CASE TOP WP-PDS	1
2	50180301S1	MCC-COMPR.DAMPING CONTROL CPL. MXC, EXC RACING	1
2	50180213S1	DCC-COMPR.DAMPING CONTROL CPL. SX RACING	1
3	46180007	ADAPTOR BUSH KGW 12X24	2
4	46180003	OIL SEAL KGW D=25	2
5	50180168	WASHER KGW D=25	2
6	50180005	BUSHING KGW 1525 HD	1
8	50180095	BLEED PLUG R 1/8	1
11	46810340	O-RING NBR 45X2	2
12	52000041	WP CAUTION (PDS KTM) 58X83	1
13	50180096	RESERVOIR SCREW L140 GREY	1
14	46811043	O-RING VITON 35X5	1
15	50180108	SEPARATION PISTON D=46, H=29	1
16	46810324	PISTON RING 3,9X1,5X138	1
18	46811209	RESERVOIR CAP D=46	1
19	46810893	O-RING NBR 5,28X1,78	1
20	36120151	SCREW PLUG M5X6	1
21	46811208	RUBBER CAP "DO NOT OPEN"	1
25	50180097	O-RING 52X2	1
26	50180177	WASHER 16X8,2X0,6	1
27	50180296	NEEDLE D=10, L=33	1
28	50180271	SCREW CAP M20x1, D=11	1
29	50180270	LOCK WASHER	1
30	50180295	TUBE PDS L=196	1
31	50180133	CIRCLIP 50X1,5	2
32	50180081	SPRING GUIDANCE L=40	1
35	50180186	SPRINGRETAINER PDS M6 '00	1
36	0912060353	AH SCREW DIN0912-M 6X35	1
37	50180114	SPACER RING FOR SPRING	2
40	91210013	SPRING PDS0-250 65-83N/MM	x
40	91210009	SPRING PDS1-250 70-90N/MM	x
40	91210010	SPRING PDS2-250 75-96N/MM	x
40	91210011	SPRING PDS3-250 80-103N/MM	x
40	91210012	SPRING PDS4-250 85-111N/MM	x
40	91210014	SPRING PDS5-260 66-86N/MM	x
40	91210015	SPRING PDS6-260 71,5-90,5N/MM MXC, EXC RACING	1

02590042

616

* NEW PART

X ON DEMAND



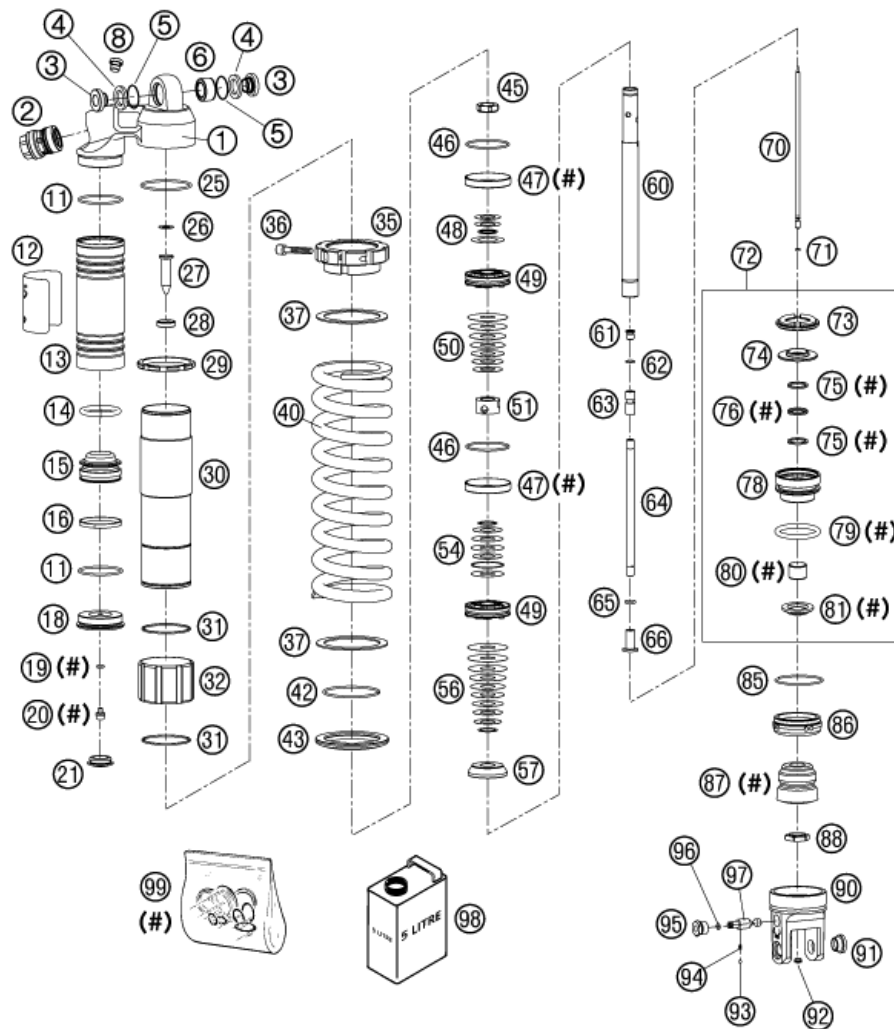
POS	PARTNUMBER	PARTNAME	PIECE
40	91210016	SPRING PDS7-260 76-95N/MM SX RACING	1
40	91210017	SPRING PDS8-260 81-99,5N/MM	x
42	50180273	CIRCLIP 58,2X2	1
43	50180272	SPRING RETAINER D=80	1
45	50180141	PISTON ROD NUT M16X1	1
46	50180099	O-RING VITON 44,17X1,78	2
47	50180135	PISTON RING 50-8	2
48	50180072	SHIM 16X28X0,30	2
48	50180209	WASHER 21X36X0,25	1
48	50180210	WASHER 16X21X1	1
49	50180197	PISTON 6+6X7/4,5	2
50	50180074	SHIM 16X32X0,30	1
50	50180075	SHIM 16X34X0,30	1
50	50180076	SHIM 16X36X0,30	1
50	50180077	SHIM 16X38X0,30	1
50	50180078	SHIM 16X40X0,30	1
50	50180070	SHIM 16X42X0,25	1
50	50180071	SHIM 16X44X0,25	1
51	50180269	SANDWICH BUSH D25XD16X14,5/D	1
54	50180035	BACKPLATE 16X21X0,30	1
54	50180047	SHIM 16X32X0,15 MXC, EXC RACING	1
54	50180065	SHIM 16X32X0,25 SX RACING	1
54	50180057	SHIM 16X34X0,20	1
54	50180058	SHIM 16X36X0,20	2
54	46811637	PRESSURE RING 36X32,25	1
54	50180056	SHIM 16X32X0,20	1
56	50180035	BACKPLATE 16X21X0,30	1
56	50180055	SHIM 16X30X0,20 MXC, EXC RACING	1
56	50180056	SHIM 16X32X0,20 MXC, EXC RACING	1
56	50180064	SHIM 16X30X0,25 SX RACING	1
56	50180065	SHIM 16X32X0,25 SX RACING	1
56	50180057	SHIM 16X34X0,20	1

02590042

616

* NEW PART

X ON DEMAND



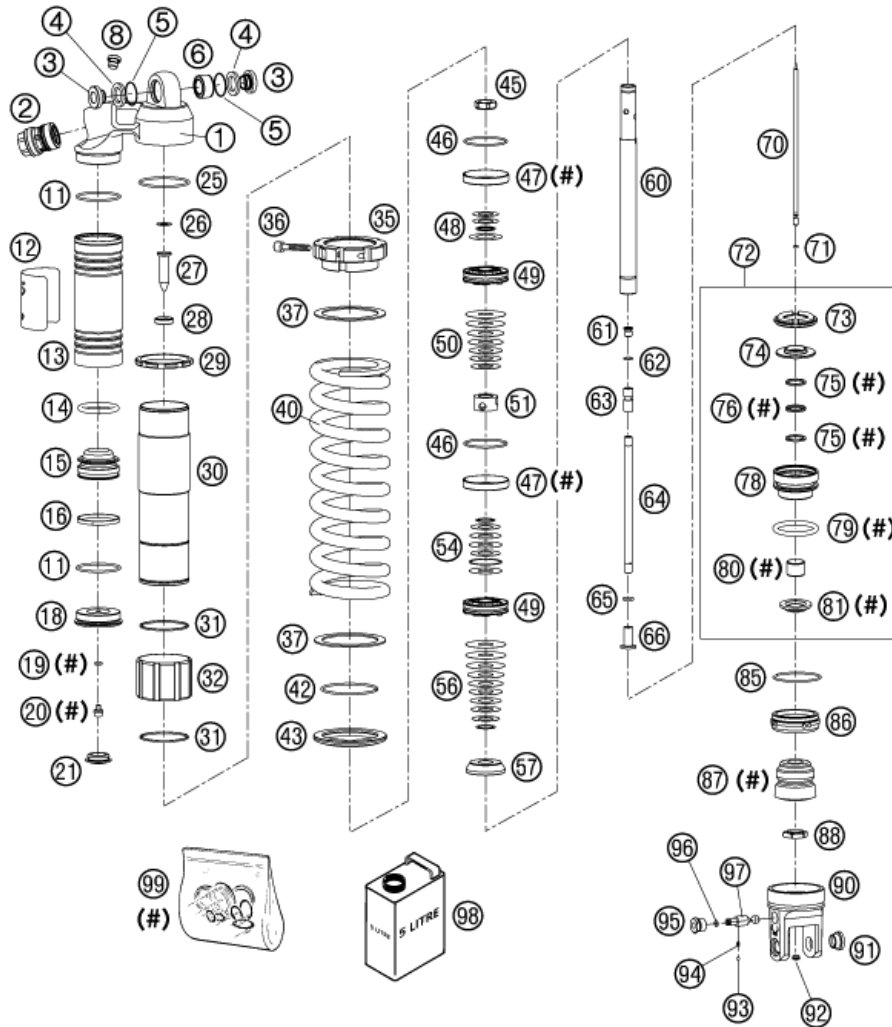
POS	PARTNUMBER	PARTNAME	PIECE
56	50180058	SHIM 16X36X0,20	1
56	50180059	SHIM 16X38X0,20	1
56	50180060	SHIM 16X40X0,20	1
56	50180070	SHIM 16X42X0,25	1
		MXC, EXC RACING	
56	50180061	SHIM 16X42X0,20	1
		SX RACING	
56	50180071	SHIM 16X44X0,25	2
57	50180196	REBOUND DISC D=34, H=8	1
60	50180294	SPINDEL D=18, L=153, M16x1	1
61	50180200	BUSH M8X1	1
62	50180157	O-RING VITON 7X1,5	1
63	50180201	NEEDLE SEAT M8X1	1
64	50180264	TUBE M18X1 L=151,5	1
65	48600049	O-RING NBR 8X2	1
66	50180279	TUBE ADAPTOR M8X1 L=23	1
70	50180261	NEEDLE L=175	1
71	46811265	O-RING VITON 2,2X1,6	1
72	50180118S2	ADAPTOR CPL. D=50, H=28,5	1
73	50180107	REBOUND RUBBER	1
74	50180304	STEEL DISC 18,5X43,7X6	1
75	50180102	BACKUPRING 22,55X1,5	2
76	50180101	QUAD RING 18X2,62	1
78	50180118	ADAPTOR D=50, H=28,5	1
79	50180103	O-RING 41X5	1
80	50180104	DU-BUSH 18X20X15	1
81	50180082	DUST SEAL 1835	1
85	50180126	CIRCLIP 53X1,75	1
86	50180165	COVER D=50	1
87	50180276	BUMP RUBBER WP60 D=18-26	1
88	50180283	CONTRA NUT M18X1 H=5	1
90	50180293	FORK PART L=55,5, B=32,5	1
91	50180105	THREADED BUSH M12 PDS	1
92	50180297	RUBBER PLUG D=8	1
93	40540603	STEEL BALL D=3MM	1
94	40540602	SPRING D=2,9, L=6,2	1
95	50180281	RESERVOIR CAP M14X1	1
96	50180222	O-RING NBR 4X1,5	1
97	50180280	ADJUSTING SCREW 80 DEG., L=39	1

02590042

616

* NEW PART

X ON DEMAND



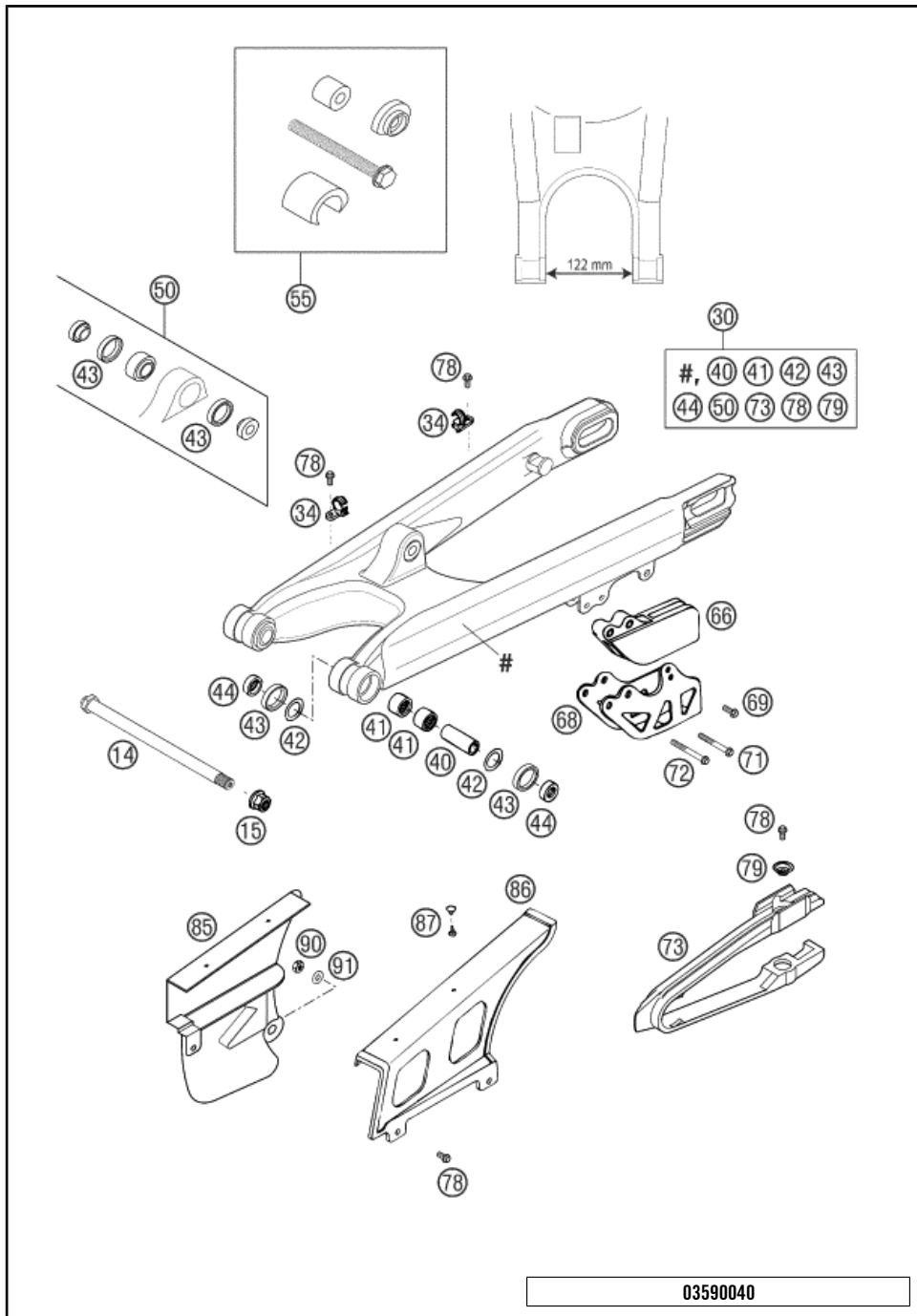
POS	PARTNUMBER	PARTNAME	PIECE
98	4681020851	SHOCK ABSORBER FLUID 5 LT.	1
99	R12005	REP.KIT GASKET SEAL PDS 2002	1

02590042

616

* NEW PART

X ON DEMAND



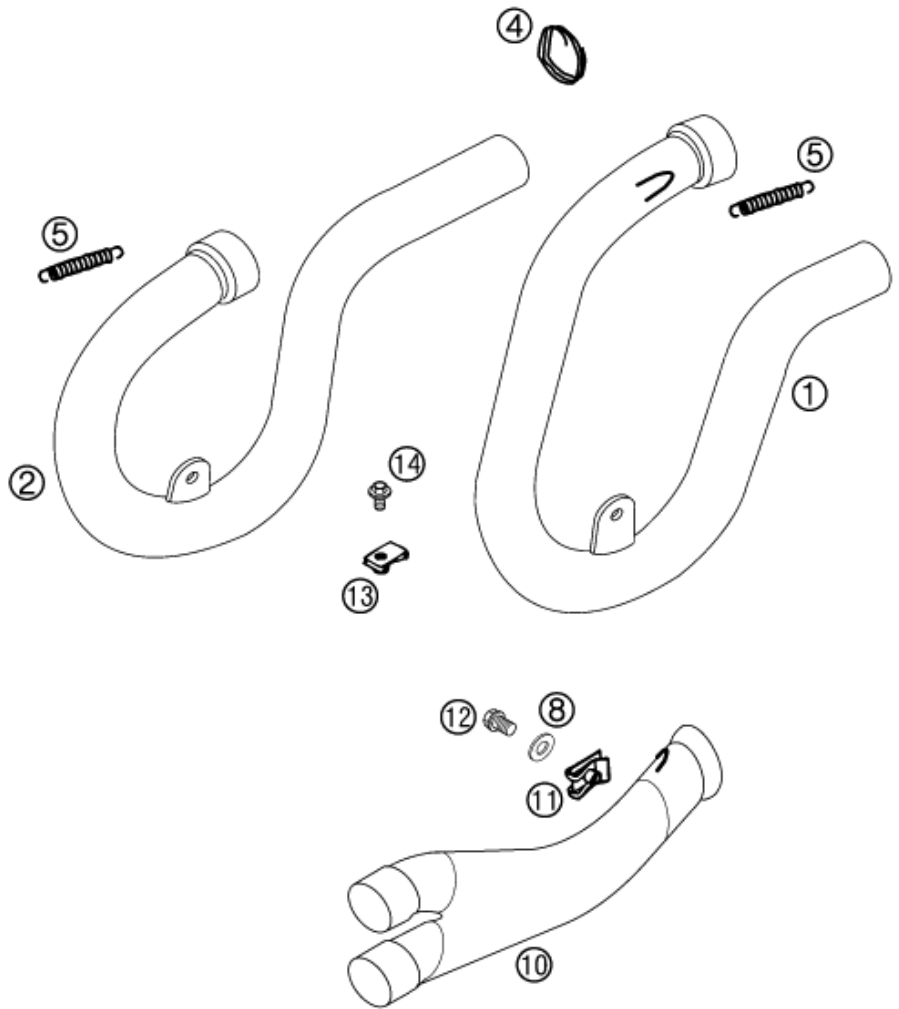
POS	PARTNUMBER	PARTNAME	PIECE
14	50303014000	SWINGARM BOLT 14X252 WS=22	1
15	54603015000	SELF LOCKING NUT M14X1,5 WS=19	1
30	59004030244	SWINGARM CPL. 540 SXS 2000	1
34	54611076100	RETAIN.CLAMP FOR BRAKE HOSE'96	2
40	50203081700	BUSHING SLEEVE 15X20X38,75	2
41	59004031000	NEEDLE BUSH HK2012V	4
42	59004033000	STOP DISK 22,2X31,7X0,8 2000	2
43	0760253270	SHAFT SEAL RING 25X32X7	6
44	54603090000	BUCKET F.SHAFTSEALRING 15X25X9	4
50	50304090044	PIVOT BEARING+BUSH. PDS '99	1
55	50329000044	TOOL BEARING MOUNTING PDS	1
66	54607066100	CHAIN GUIDE REAR '94	1
68	54607070144	RETAINING PLATE CPL.	1
69	0015060163	HH COLLAR SCREW M 6X16 WS=8	1
71	0015060503	HH COLLAR SCREW M 6X50 WS=8	x
72	0015060553	HH COLLAR SCREW M 6X55 WS=8	1
73	50304066000	CHAIN GUARD '97	1
78	0009050103	SPECIAL SCREW M 5,0X10	6
79	72210079000	BUCKET	2
85	50304060100	CHAIN GUARD SMALL EXC 2000	1
86	54607460000	CHAIN GUARD LARGE EGS	1
87	20012062055	HOLLOW RIVET TWO PARTS	2
90	0985060003	SELF LOCK. NUT DIN0985-M 6	1
91	0021060003	WASHER DIN9021-A 6,4	1

03590040

1284

* NEW PART

X ON DEMAND



POS	PARTNUMBER	PARTNAME	PIECE
1	59005007000	EXHAUST PIPE L/S RACING 2000	1
2	59005008000	EXHAUST PIPE R/S RACING 2000	1
4	58305053001	CERAMIC LINE 1 METER	1
5	50305016000	TEN.SPRING L=62MM EY.MOVEABLE	4
8	0125080003	WASHER DIN0125-A 8,4	1
10	59005060000	EXHAUST-INTERMEDIARE TUBE 2000	1
11	54603048000	RANGE CHANGE METAL NUT M8	1
12	0015080123	HH COLLAR SCREW M 8X12 WS=10	1
13	54603048100	RANGE CHANGE METAL NUT M6	1
14	0014060103	HH COLLAR SCREW M 6X10 WS=8	1

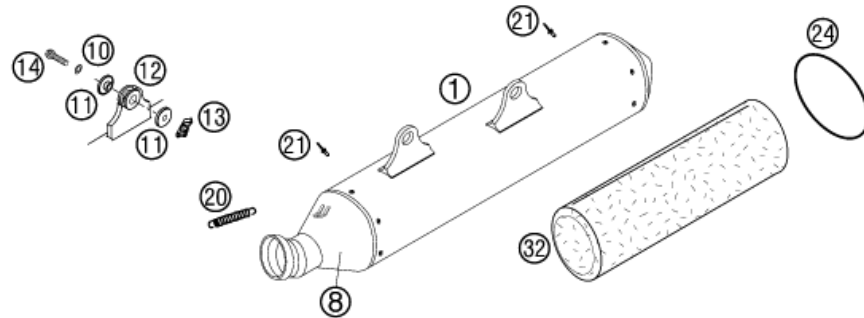
02590050

617

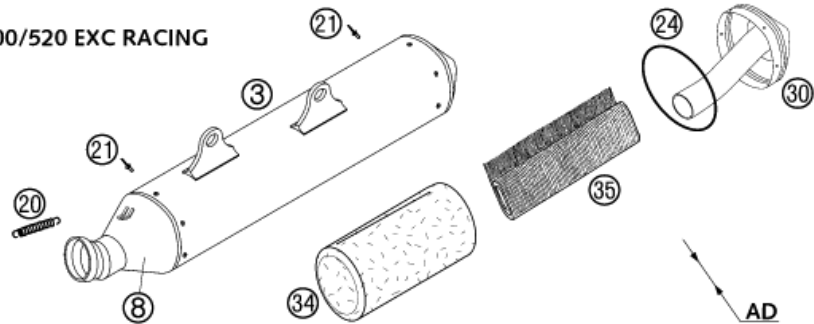
* NEW PART

X ON DEMAND

400/520 SX RACING

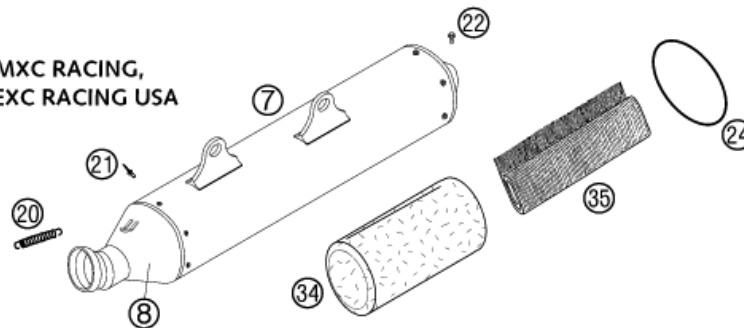


400/520 EXC RACING



AD.....Aussendurchmesser (Rohr) in mm
Outer diameter (tube) in mm

400/520 MXC RACING,
400/520 EXC RACING USA



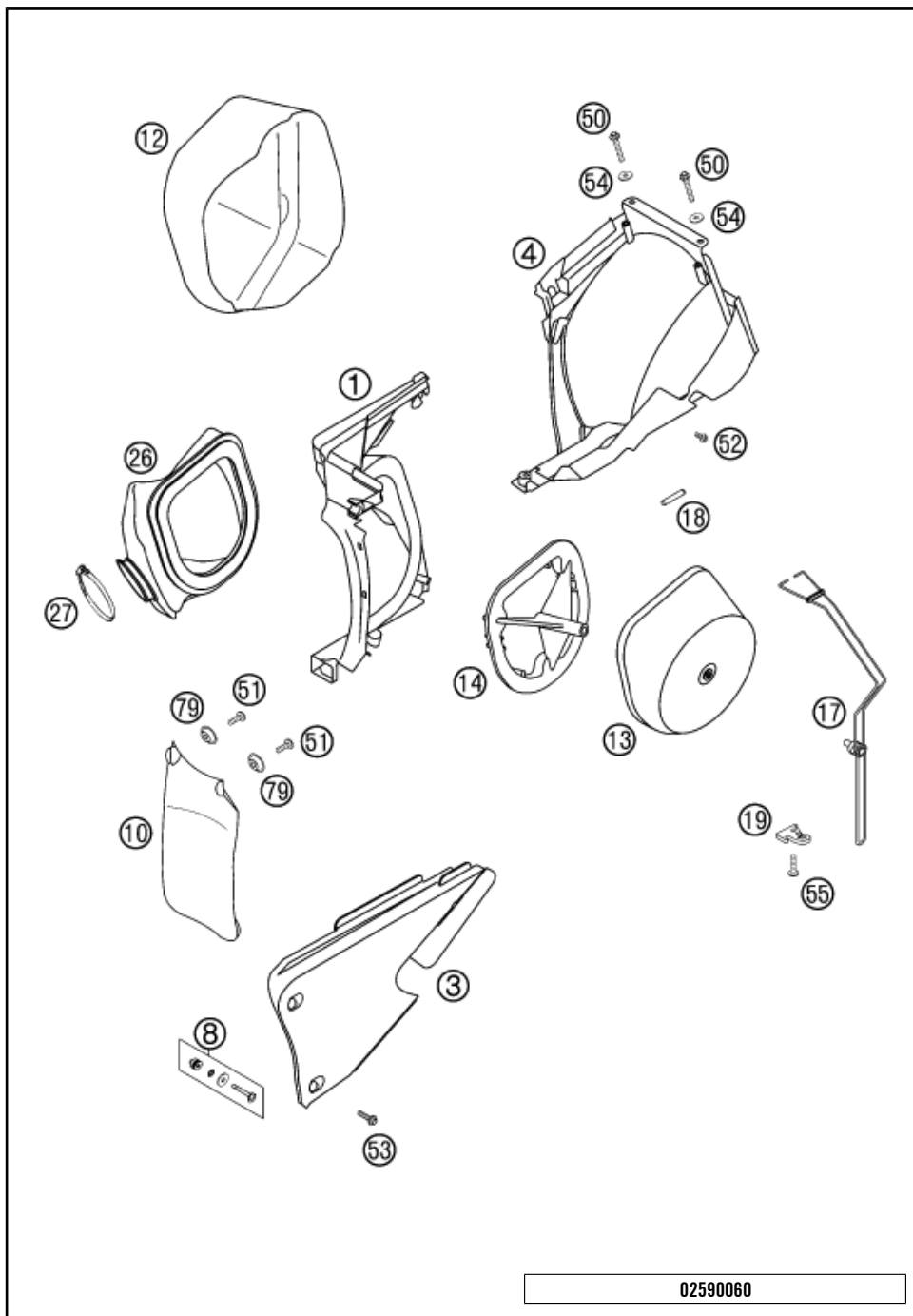
02590051

POS	PARTNUMBER	PARTNAME	PIECE
1	59005079200	SILENCER 400/520 SX 2002 SX RACING	1
3	59505081100	SILENCER 400 EXC UNTHROT. 02 400 EXC RACING	x
3	59005081300	SILENCER 250/520 EXC UNTHRO.02 520 EXC RACING	x
3	59505081000	SILENCER 400 EXC THROTTLED 02 400 EXC RACING	1
3	59005081400	SILENCER 250/520 EXC THROT. 02 520 EXC RACING	1
7	59005082200	SILENCER 250-520 SPARKY 02 MXC, EXC RACING USA	1
8	59005081052	SILENC.CONNECTING CAP CPL.2000	1
10	0137060003	SPRING WASHER DIN0137-B 6	2
11	54605069000	BUSHING 7,5X12X28X7,8 '96	4
12	54605068000	EXHAUST BRACKET RUBBER BLACK	2
13	54603048100	RANGE CHANGE METAL NUT M6	2
14	0015060303	HH COLLAR SCREW M 6X30 SW=8	2
20	50305016000	TEN.SPRING L=62MM EY.MOVEABLE	2
21	0011481002	DUMMY RIVET 4,8X10,0 NIRO	x
22	0009050103	SPECIAL SCREW M 5,0X10	6
24	0770223601	O-RING 82,14X3,53 SILICONE	2
30	59505081150	ENDCAP 400 EXC UNTHROT. 02 400 EXC RACING; AD=30	x
30	59005081053	ENDCAP UNTHROTTLED RACING 2000 520 EXC RACING; AD=32	x
30	59505081050	ENDCAP 400 EXC THROTTLED 02 400 EXC RACING; AD=30	1
30	59005081150	ENDCAP THROTTLED RACING 2000 520 EXC RACING; AD=32	1
32	59005078550	STUFF.YARN 550GRAM L=550MM SX	1
34	58705078350	STUFFINGYARN 350 GRAMM '99	1
35	58305078002	STUFFING YARN REAR 90 GRAMM'98	1

618

* NEW PART

X ON DEMAND

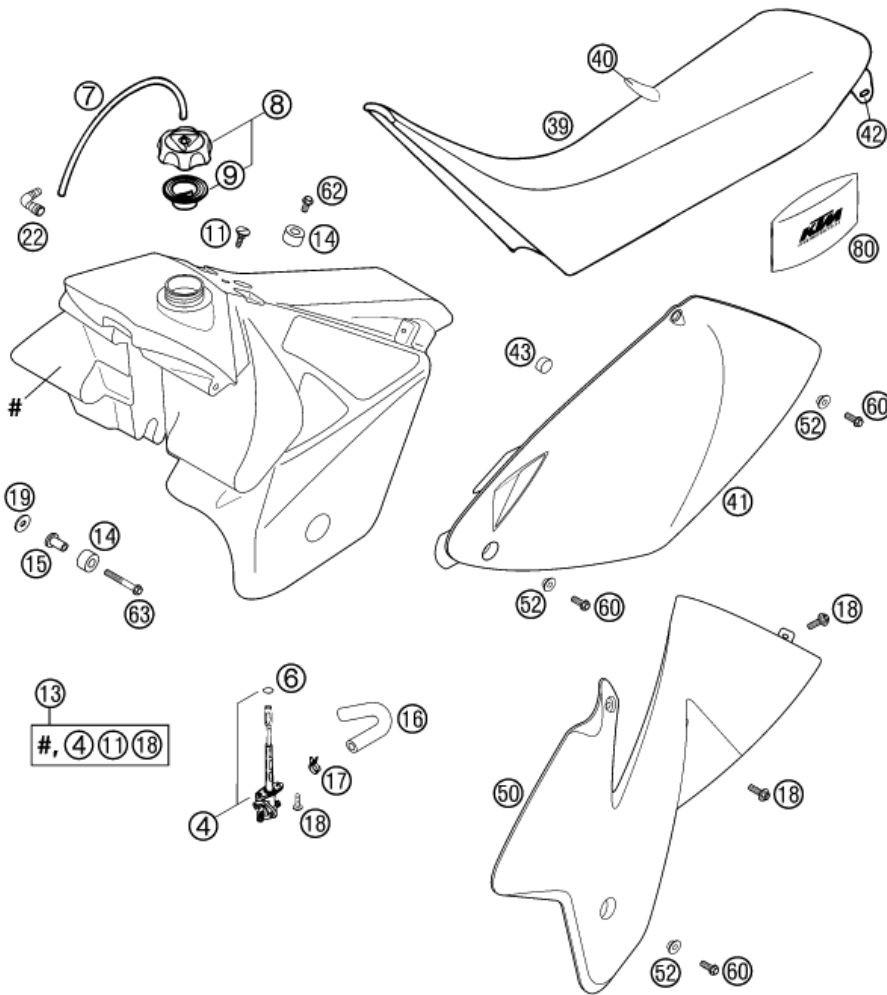


POS	PARTNUMBER	PARTNAME	PIECE
1	50306001051	* FILTER WALL CPL. 125-380 '98	1
3	50306003044	FILTER BOX COVER CPL. 2-ST '98 WITH QUICK RELEASE	1
4	50306001052	FILTER BOX PART REAR '98	1
8	50306008044	QUICK RELEASE CPL. '98	2
10	50306010000	FENDER FOR FILTER BOX '98	1
12	50306012000	THROTTLE CAP 125-380EGS CPL'98	x
13	59006015000	AIR FILTER RACING 2001	1
14	59006016000	FILTER CARRIER RAC. 2001	1
17	50306017000	FILTER SUPPORT CPL.2-STROKE'98	1
18	50306018000	FILTER SUPPORT BUSH 125-380'98	1
19	50306019000	FASTEN. DEVICE FILTER SUPPORT	1
26	59006026000	CABURETOR CONNECTING BOOT 2000	1
27	51006027000	HOSE CLAMP 50-70MM	1
50	0017060403	SPECIAL SCREW T60 6X40 WS=6	2
51	0017060203	EJOT PT SCREW K60X20 WS=6	2
52	0009050103	SPECIAL SCREW M 5,0X10	1
53	0016070253	PLASTIC SCREW K7X25 PT1447	2
54	0125060003	WASHER DIN0125-A 6,4	2
55	0017060303	SPECIAL SCREW T60 6X30 WS=6	1
79	72210079000	BUCKET	2

02590060

619

* NEW PART X ON DEMAND



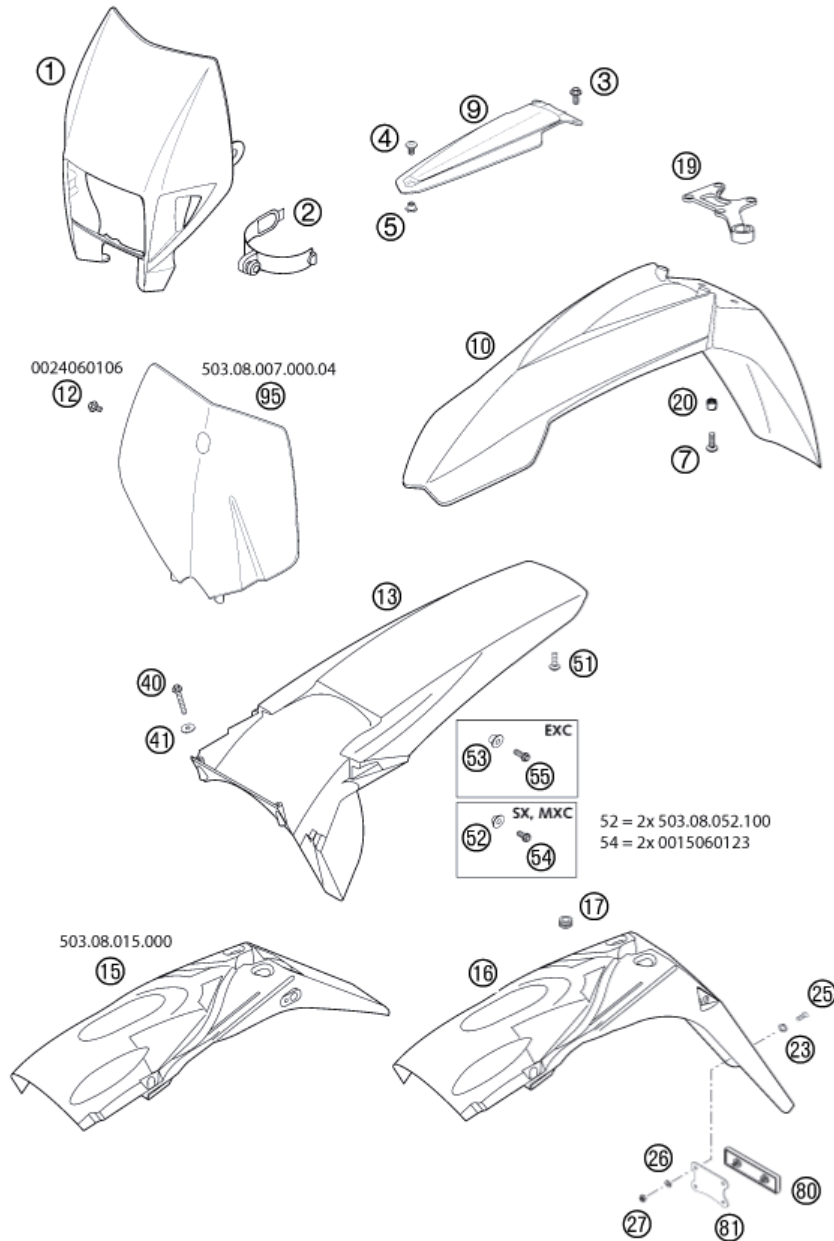
POS	PARTNUMBER	PARTNAME	PIECE
0	5030804200030	SIDE COVER R/S BLACK '99	1
0	5030805110004	% SPOILER R/S ORANGE EXC 01	1
4	58307105200	FUEL COCK CPL. OFF-ON-RES	1
6	55007006200	O-RING 11X1,8 NBR 70	1
7	31007107001	PVC-HOSE 6X9 MM PER METER	0
8	59007008044	FILLER CAP CPL. WITH VALVE	1
9	59007009000	GASKET FOR FILLER CAP HIGH	1
11	50307011000	SCREW SEAT FASTENING D=6X23/18	1
13	59007013200	% FUEL TANK CPL. 13L. NAT.2001 MXC RACING	1
13	59007013300	FUEL TANK CPL. 9L. NAT. 2001 EXC RACING	1
14	50307014000	TANK ROLLER 12X26X12 '98	3
15	59003001055	SUPORT BUSHING TANKROLLER	2
16	59007016000	FUEL HOSE 7,5X13MM	1
17	58031005000	CLAMP YDNAC 10128 12MM	2
18	0017060203	EJOT PT SCREW K60X20 WS=6	8
19	50232050000	WASHER 6,2X18X2	2
22	51030022000	ANGLE PIECE 90 DEGREE M10X1	1
39	50307040400	SEAT EXC 2001 EXC RACING	1
39	50307040500	SEAT MXC 2001 MXC RACING	1
40	50307040450	SEAT COVER EXC 2001 EXC RACING	1
40	50307040550	SEAT COVER MXC 2001 MXC RACING	1
41	5030804100030	SIDE COVER L/S BLACK '99	1
42	50307041000	SEAT BRACKET L/S-R/S '98	2
43	50308042055	RUBBER FOR SIDE COVER '98	2
50	5030805010004	SPOILER L/S ORANGE EXC 01	1
52	50308052000	BUSH FOR SPOILER 6X11X16X5 MM	6
60	0015060163	HH COLLAR SCREW M 6X16 WS=8	6
62	0015060123	HH COLLAR SCREW M 6X12 WS=8	1
63	0015060453	HH COLLAR SCREW M 6X45 WS=8	2
80	59029099000	ORIGINAL EQUIPMENT TOOL KIT	1

02590070

621

* NEW PART

X ON DEMAND



POS	PARTNUMBER	PARTNAME	PIECE
1	5030800100004	HEADLIGHT MASK EXC/EGS'99	1
2	50211086000	MASK RUBBER UFO WP '95	2
3	0014060153	HH COLLAR SCREW M 6X15 WS=8	2
4	50308009050	SCREW FEND.BRACE M8X9 WS=17	1
5	50308009051	NUT FENDER BRACE M8 WS=17	1
7	0014060203	HH COLLAR SCREW M 6X20 WS=8	4
9	50308009100	FENDER BRACE BLACK '99	1
10	5030801010004	FENDER FRONT ORANGE '99	1
12	0014060103	HH COLLAR SCREW M 6X10 WS=8	1
13	5030801300030	% FENDER REAR SX BLACK 02 SX, MXC RACING	1
13	5030801310030	FENDER REAR EXC BLACK 02 EXC RACING	1
15	50308015000	NUMBER PLATE CARRIER EXC '98 EXC RACING USA	1
16	50308015100	NUMBER PLATE CARRIER EGS '98 EXC RACING	1
17	31008060000	RUBBER SLEEVE D=8MM OPEN	1
19	59008019000	BRAKE HOSE GUIDE 2000	1
20	50208020000	SPACER BUSHING 7X10X7,5	4
23	40006006000	WASHER 6MM	2
25	0966050163	OVAL HEAD SCREW DIN0966-M 5X16	2
26	0125050003	WASHER DIN0125-A 5,3	2
27	0985050003	SELF LOCKING NUT DIN0985-M 5	2
40	0017060403	SPECIAL SCREW T60 6X40 WS=6	2
41	0125060003	WASHER DIN0125-A 6,4	2
51	0017060203	EJOT PT SCREW K60X20 WS=6	2
52	50308052100	BUSH FOR FENDER 6X11X20X5 MM	2
53	50308053100	BUSH F.NUM.PL.CAR. 6X11X22X9,5	2
54	0015060123	HH COLLAR SCREW M 6X12 WS=8	2
55	0015060163	HH COLLAR SCREW M 6X16 WS=8	2
80	58412080000	REFLECTOR RED	1
81	58412080050	BRACKET FOR REFLECTOR	1
95	5030800700004	NUMBER PLATE ORANGE SX, MXC	1

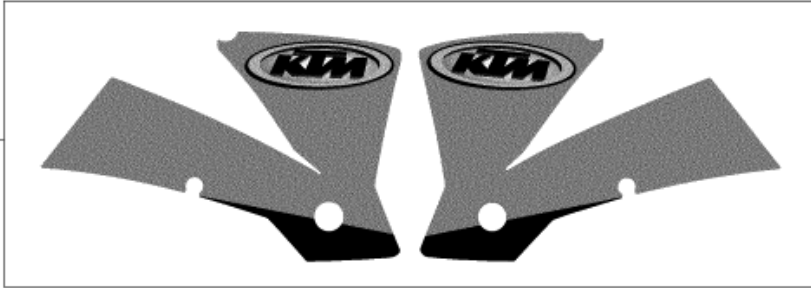
02590080

623

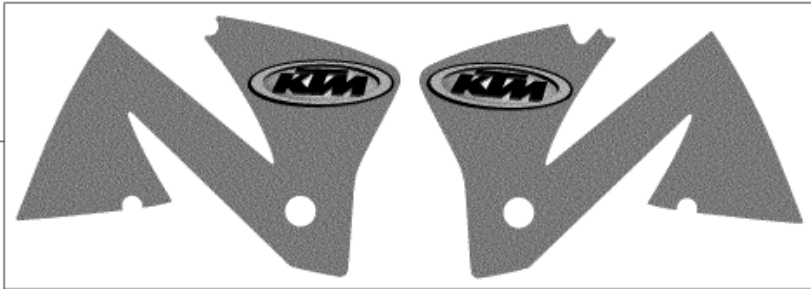
* NEW PART

X ON DEMAND

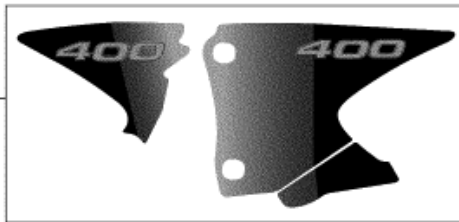
①



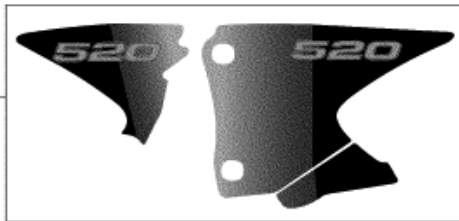
②



③



④



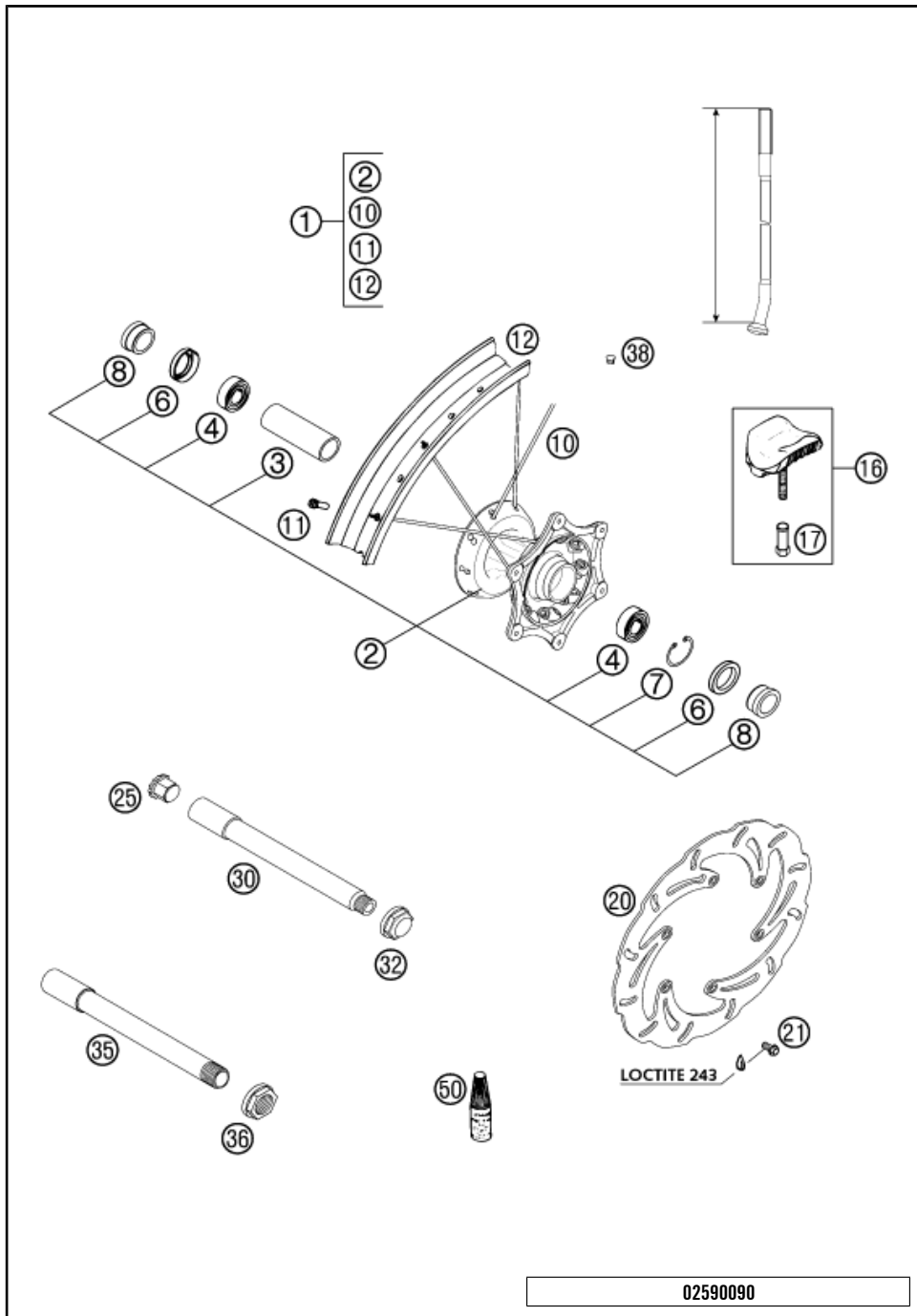
POS	PARTNUMBER	PARTNAME	PIECE
1	50308099100	SPOILER DECAL L/S+R/S SX 02	1
2	50308099200	SPOILER DECAL L/S+R/S EXC 02	1
3	59008092300	DECAL SET 400 RACING 02	1
4	59008092400	DECAL SET 520 RACING 02	1

02590081

624

* NEW PART

X ON DEMAND

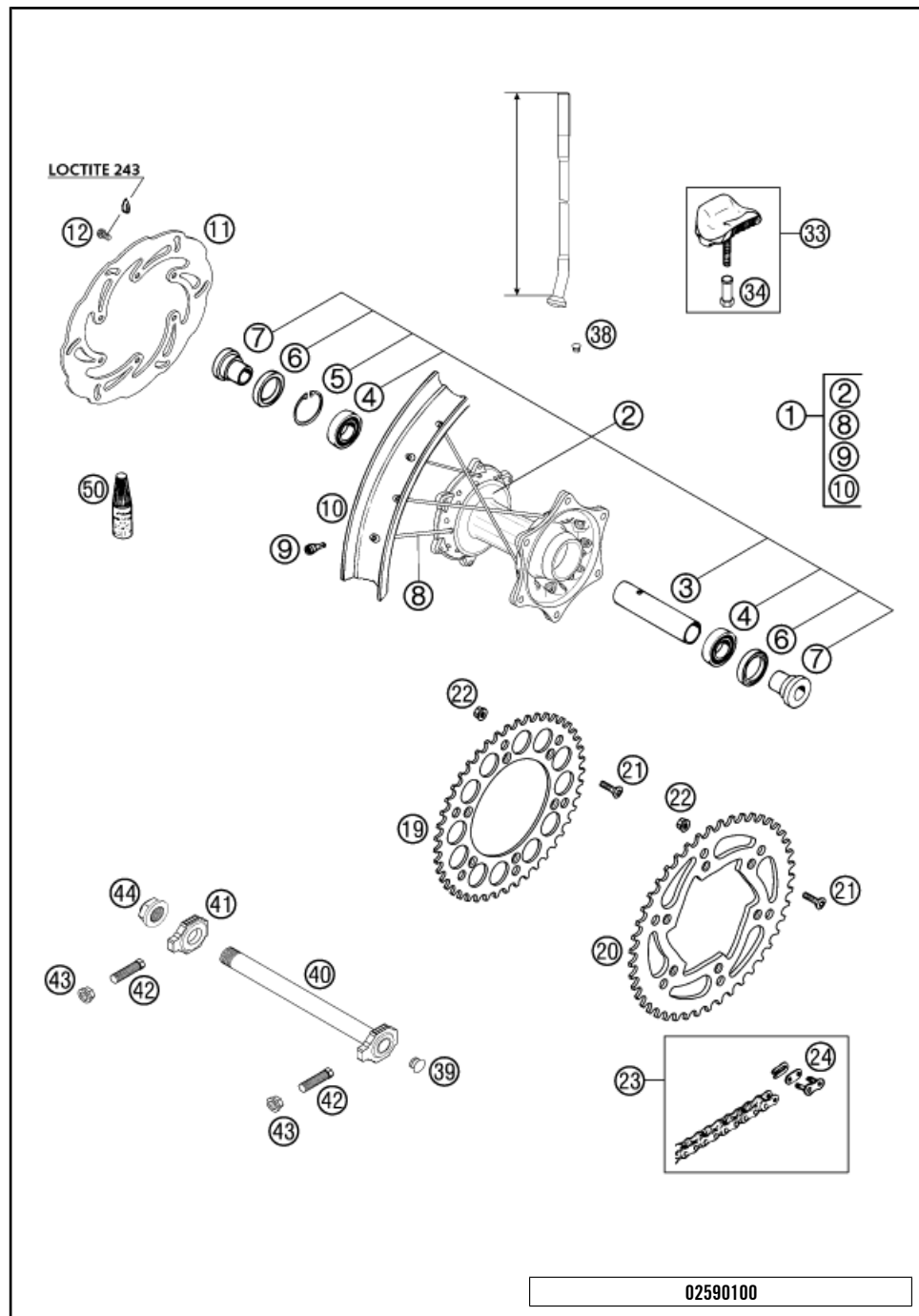


POS	PARTNUMBER	PARTNAME	PIECE
1	50309001044	FRT WHEEL 1,6X21"EXCEL SX 00 SX RACING	1
1	50309001144	FRT WHEEL 1,6X21" DID EXC 00 EXC RACING EU	1
2	50309010044	FRONT HUB CPL. SX 2000	1
3	50309011000	BEAR. SPACERTUBE 20,5X25X80,3	1
4	0625069047	GR.BALL BEAR.6904 DDU2CG23S6NM	2
6	0760263770	SHAFT SEAL RING 26X37X7 ASL	2
7	0472037154	LOCK RING DIN0472-37X1,5	1
8	50309012000	SPACER BUSHING 20X26X27,8 2000	2
10	50309071230	SPOKE M4,5X230-15G 21" DDE	36
11	50309072000	SPOKE NIPPLE M4,5X0,75 8X21	36
12	54609070100	FRONT RIM 1,6X21" EXCEL AL4 SX RACING	1
12	54609070200	FRONT RIM 1,6X21" DID EXC RACING EU	1
16	51009100100	RIM LOCK VM1 (1,60")	1
17	50310090050	NUT FOR WHEEL HOLDER '96	1
20	50309060000	BRAKE DISC FRONT D=260MM 2000	1
21	59009062013	SPECIAL SCREW M6X13 WS=8 10.9	6
25	50309081150	HANDLE FOR FRONT AXLE WS=21 EXC RACING EU	1
30	50309081200	WHEEL SP. FRO.USD43 185MM 2001 EXC RACING EU	1
32	50309082100	AXLE NUT FRONT M16X1,5/WS=27 EXC RACING EU	1
35	50309081300	WHEEL SPIN.FRO.USD48 D=20 2002 SX RACING	1
36	59030029000	HH NUT M20X1,5 WS=27 RIGHT SX RACING	1
38	55003135000	PLUG FOR RIM	x
50	6899785	LOCTITE 243 BLUE 5 ML	1

02590090

625

* NEW PART X ON DEMAND



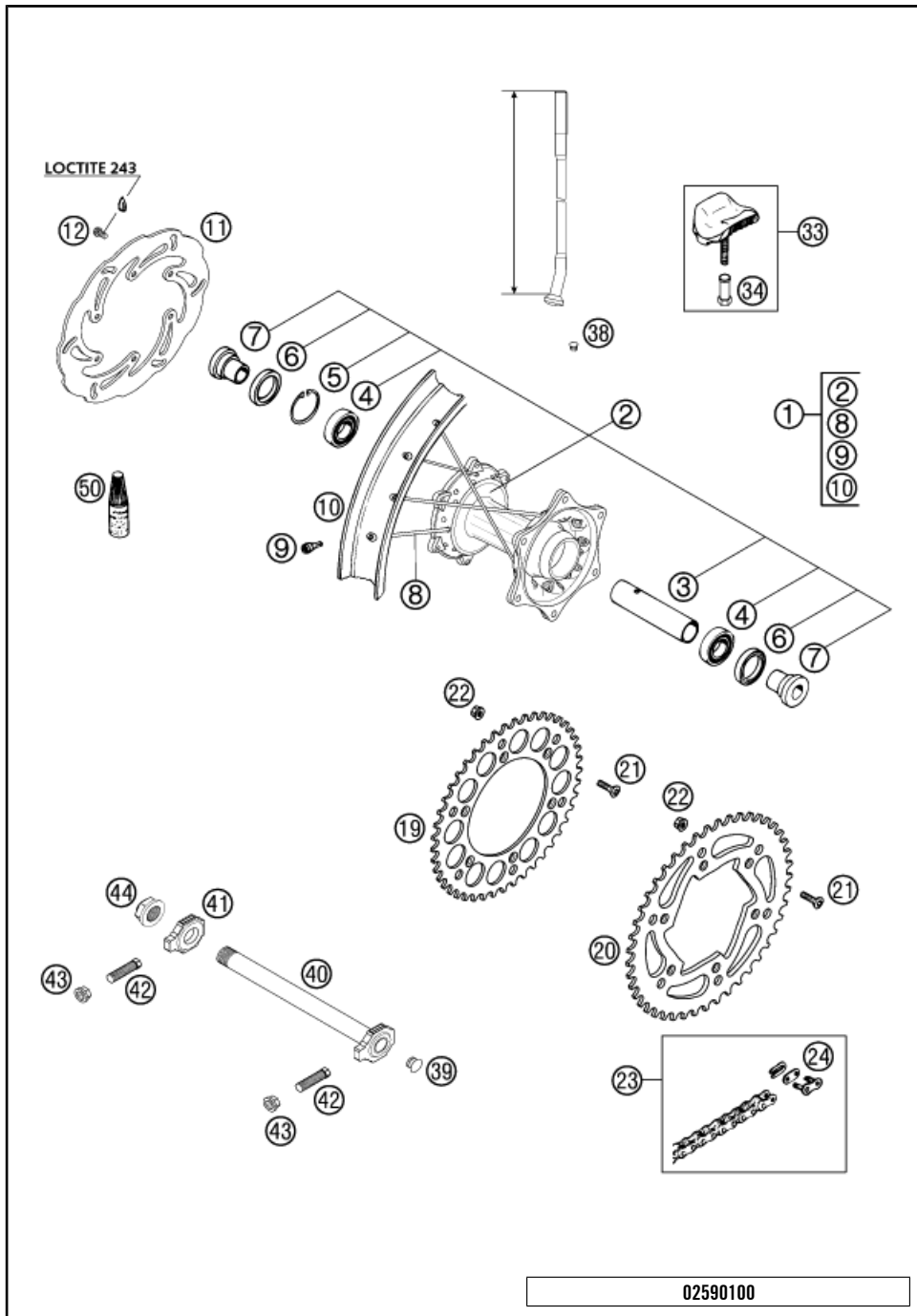
02590100

POS	PARTNUMBER	PARTNAME	PIECE
1	50310001144	R.WHEEL CPL.2.15X19"EXCEL '00 SX RACING	1
1	50310001244	REARWHEEL CPL.2.15X18"DID 200 MXC, EXC RACING	1
2	50310010044	REARWHEEL HUB CPL.125-380 '00	1
3	59010011000	BUSH. SPACER TUBE 121,5MM 01	1
4	0625060058	GR.BALL BEAR.6005 DDU2CG23S6NM	2
5	0472047175	CIRCLIP DIN0472-47X1,75	1
6	0760324771	SHAFT SEAL RING 32X47X7 BSL	2
7	54610016000	BUSHING FOR HUB	2
8	50310071207	SPOKE M5X207-10G 19" DDE	36
8	50310071197	SPOKE M5X197-10G 18" DDE	36
9	58309072000	SPOKE NIPPLE M5-TA (8X21MM)	36
10	54610070100	REAR RIM 2,15X19" EXCEL AL4	1
10	54610070300	REAR RIM 2,15X18" DID	1
11	50310060000	BRAKE DISC REAR D=220MM 2000	1
12	59009062013	SPECIAL SCREW M6X13 WS=8 10.9	6
19	58310051038	REAR SPROCKET 38-T	x
19	58310151040	REAR SPROCKET 40-T	x
19	58310051042	REAR SPROCKET 42-T	x
19	58310151045	REAR SPROCKET 45-T	x
20	58310151048	REAR SPROCKET 48-T	1
20	58310151050	REAR SPROCKET 50-T	1
20	58310151052	REAR SPROCKET 52-T	1
21	54510052100	SPROCKET SCREW-AH M8X26 WS=6	6
22	54310086200	SELF LOCKING NUT M8 10.9	6
23	50010065100	X-RING KETTE 5/8X1/4" DID 118 ROLLS	1
23	50010065101	X-R.CHAIN 5/8X1/4"/M W.LINK	x
24	50010066100	MASTER LINK 5/8X1/4" X-RING	1
33	54010100100	RIM LOCK VM3 (2.15")	x
34	50310090050	NUT FOR WHEEL HOLDER '96	x
38	55003135000	PLUG FOR RIM	x
39	50210086000	COVERING CAP SFL16	1
40	50310085044	WH. SPINDLE RE. CPL.265MM 00	1
41	50310084000	CHAIN TENSIONER R/S 2000	1
42	50304040000	SPEC. SCREW M10X1,25X40 WS=10	2

627

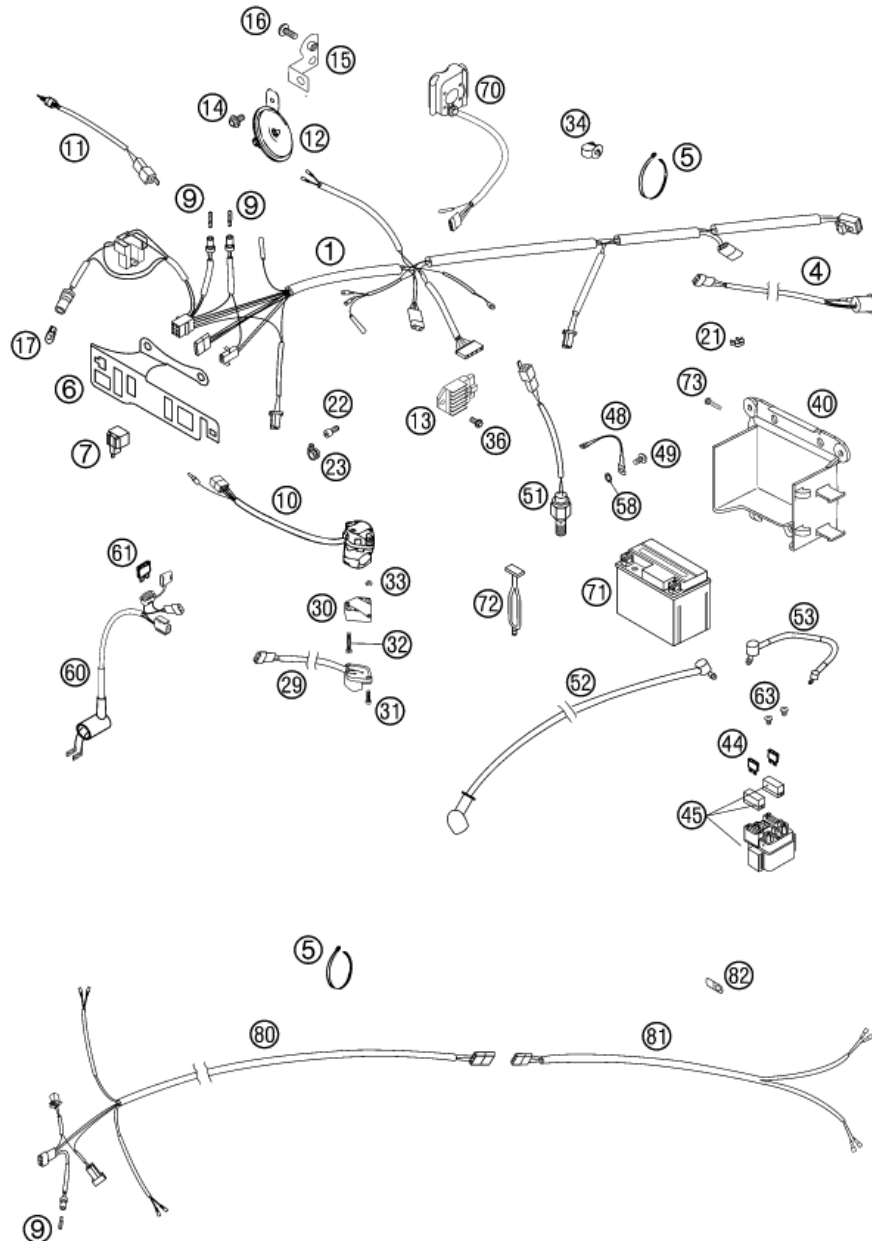
* NEW PART

X ON DEMAND



POS	PARTNUMBER	PARTNAME	PIECE
43	58414030000	HH COLLAR NUT M10X1,25 WS=13	2
44	50310099000	HEXAGON NUT M20X1,5 '98	1
50	6899785	LOCTITE 243 BLUE 5 ML	1

627 * NEW PART X ON DEMAND



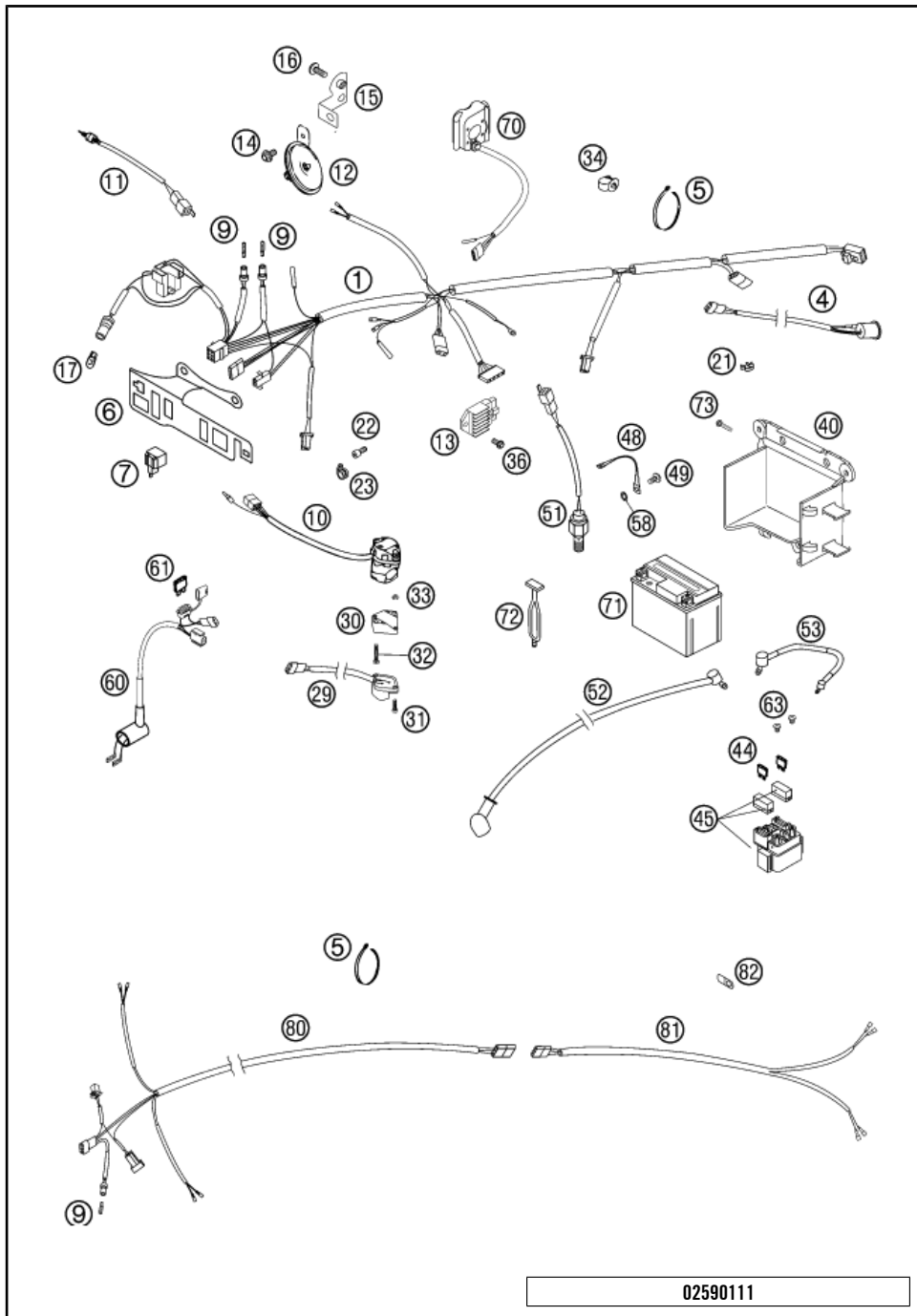
POS	PARTNUMBER	PARTNAME	PIECE
1	59011075400	WIRING HARN. FRONT EXC EU 2001	1
4	50311076000	WIRING HARNESS REAR 125-380'98	1
5	44011076200	CABLE TIE 200/3,6MM BLACK	x
5	44011076305	CABLE TIE 300/4,8MM BLACK	x
6	59011083000	SUPPORT BRACKET BLACK 2001	1
7	44611207200	FLASHER UNIT 97	1
9	49111425000	BULB 12V 1,2W (W2X4,6D)	3
10	50311070000	H.LIGHT SWITCH CEV 2/4TAKT '98 EXC RACING EU, SYMBOLS WHITE	1
10	50311070100	H.LIGHT SWITCH CEV EGS AUS.'98 EXC RACING AUS,SYMBOLS YELLOW	1
11	50311050000	BRAKE LIGHT SWITCH FRONT 2000	1
12	50311060000	DC HORN 12V K80/L LEB	1
13	50311034000	VOLTAGE REGULA. 12V 125-200'98	1
14	0014060103	HH COLLAR SCREW M 6X10 WS=8	1
15	59011061000	BRACKET 2001	1
16	0014060153	HH COLLAR SCREW M 6X15 WS=8	1
17	49011435000	BULB 12V 5W (W2,1X9,5D)	1
21	57013072000	WIRING HOLDER 12MM	x
21	57013072100	WIRING HOLDER 16MM	x
22	0912050083	AH SCREW DIN 912 M 5X8	1
23	57013070100	PVC-CLAMP 7,9 MM HEYCO 3355	1
29	50311029000	FLASHER SWITCH CEV '98	1
30	13011070060	ADAPTER FOR FLASHER SWITCH '98	1
31	0985040163	FLAT HEAD SCREW DIN7985-M 4X16	2
32	0084040223	CYL.HEAD SCREW DIN0084-M 4X22A	2
33	0934040003	HEXAGON NUT DIN0934-M 4	2
34	58111076000	CABLE SUPPORT KHS NR.150-47610	2
36	0015060123	HH COLLAR SCREW M 6X12 WS=8	1
40	59011055000	BATTERY CARRIER PLASTIC BLACK	1
44	58011109110	FUSE 10 A 2000	2
45	58211058000	STARTER RELAY 12V '99	1
48	58411097100	GROUND CABLE D=6MM L=140MM '97	1
49	0014060103	HH COLLAR SCREW M 6X10 WS=8	1
51	50311051100	BRAKE LIGHT SWITCH REAR '98	1
52	58411059100	STARTERCABLE 700 MM '97	1
53	58711086000	WIRING HARNESS BATTERY DUKE'99	1
58	58411098100	CONTACT WASHER M6 VSV-K6	1
60	59011079000	FAN WIRING HARNESS 2001	x

02590111

629

* NEW PART

X ON DEMAND

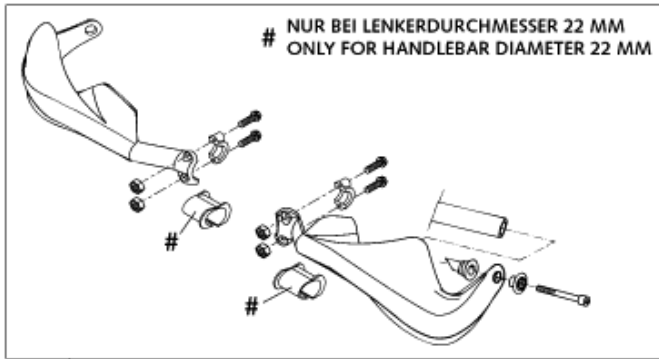


POS	PARTNUMBER	PARTNAME	PIECE
61	58011109005	FUSE 5 A	X
63	0902060083	AH OVAL SCREW ISO 7380 M 6X8	2
70	59011074200	START-STOP TIP SWITCH 2001 EXC RACING EU, AUS.	1
71	58511053000	BATTERY 12V 4AH YTX5L-BS	1
72	50303018000	RUBBER L=145MM	2
73	0017060203	EJOT PT SCREW K60X20 WS=6	3
80	59011080000	FLASH.WIRINGHARNESS FRONT 2001	1
81	59011081000	FLASH.WIRINGHARNESS REAR 2001	1
82	50031003000	RETAINING PLATE	2

02590111

629

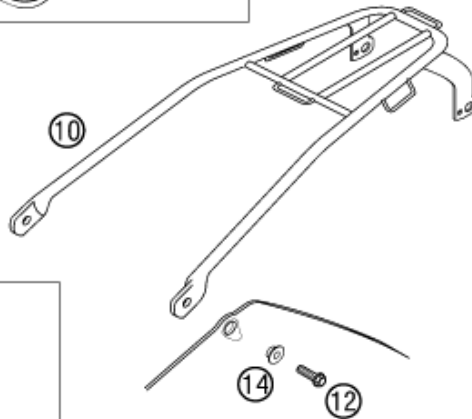
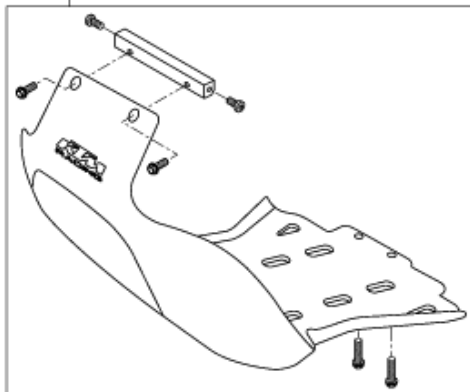
* NEW PART X ON DEMAND



25

10

60



14

12

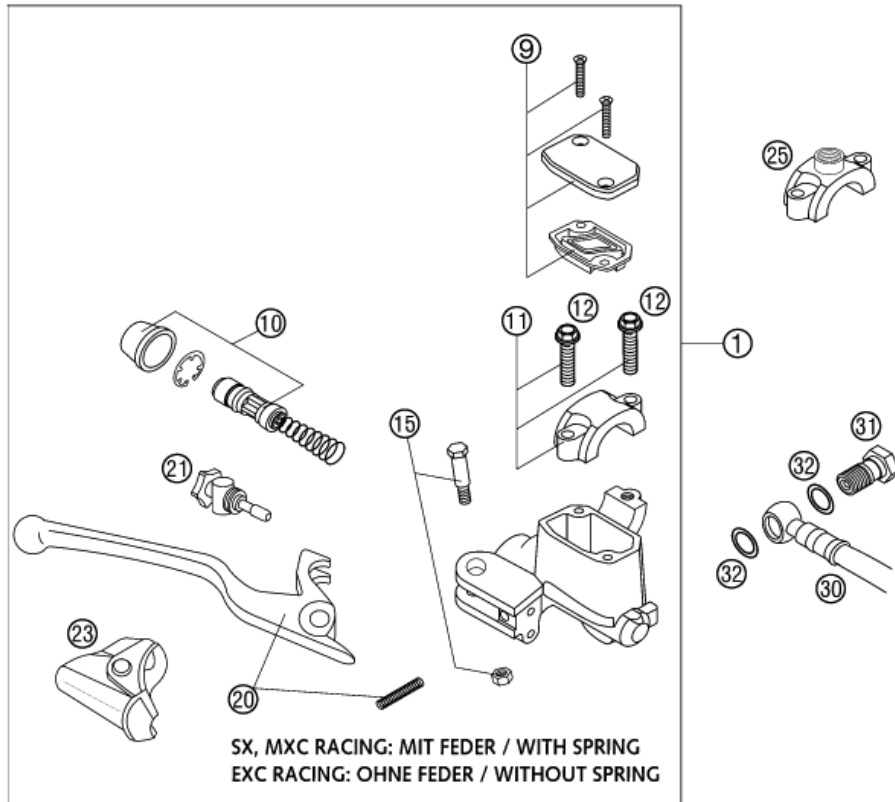
POS	PARTNUMBER	PARTNAME	PIECE
10	51212010000	*BAGGAGE CAR.SILV. 125 EXE2000	1
12	0015060203	HH COLLAR SCREW M 6X20 WS=8	2
14	50308052000	BUSH FOR SPOILER 6X11X16X5 MM	2
25	6000207900030	% HAND GUARD L/S+R/S CPL. BLAC	1
60	59003090200	% ENGINE PROTECTION PLASTIC CP	1

02590120

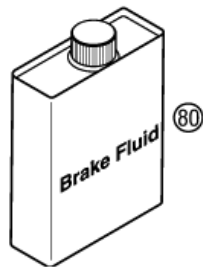
630

* NEW PART

X ON DEMAND



POS	PARTNUMBER	PARTNAME	PIECE
1	50313001100	HANDBRAKE CYL. NAT. SMALL 2001	1
9	50313003000	HANDBRAKE CYL. COVER CPL. NATURE	1
10	50313008200	REP. SET PISTON D=11 SX 2001	1
10	50313008300	REP. SET PISTON D=11 EXC 2001	1
11	50313005000	CLAMP CPL. NATURE	1
12	0015060253	HH COLLAR SCREW M 6X25 WS=8	2
15	50313006100	LEVER SCREW CPL. 2001	1
20	50313002100	HANDBRAKE LEVER SHORT 2001	1
21	50313007000	ADJUSTING SCREW CPL. SX 2000	1
21	50313007100	ADJUSTING SCREW CPL. EXC 2000	1
23	50313004000	PROTECTION CAP HAND BRAKE CYL.	1
25	58012040150	CLAMP FOR MIRROR '94	x
30	59013010000	BRAKEHO. FRONT 1235MM 2000 SX RACING	1
30	59013011000	BRAKEHO. FRONT 1300MM 2000 MXC, EXC RACING	1
31	50213025000	HOLLOW SCREW M10X1X19	1
32	42013226000	CU-SEAL RING DIN7603-10X16X1	2
80	306054	BRAKE FLUID DOT 4.0 1/4 LITRE	1

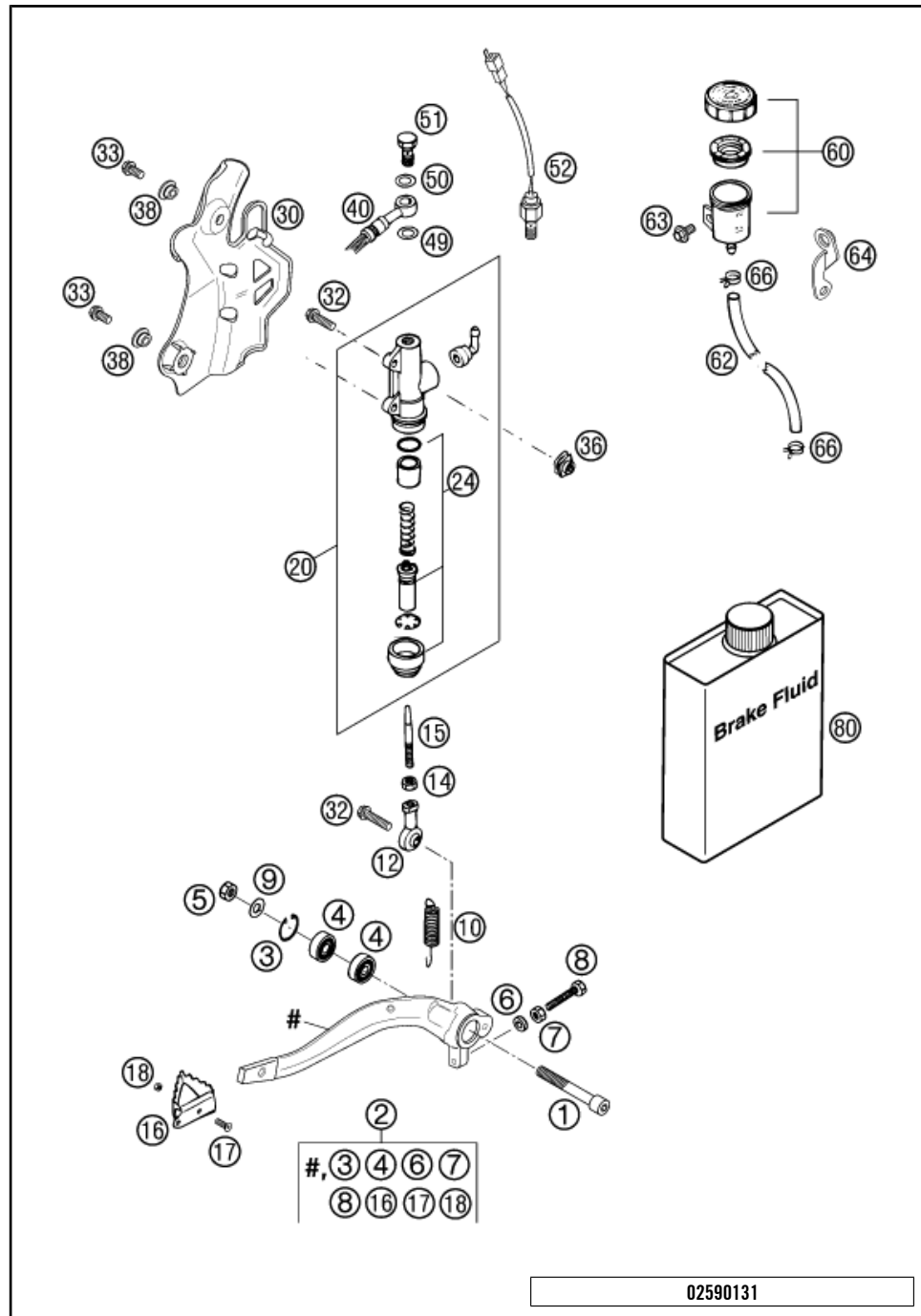


02590133

633

* NEW PART

X ON DEMAND



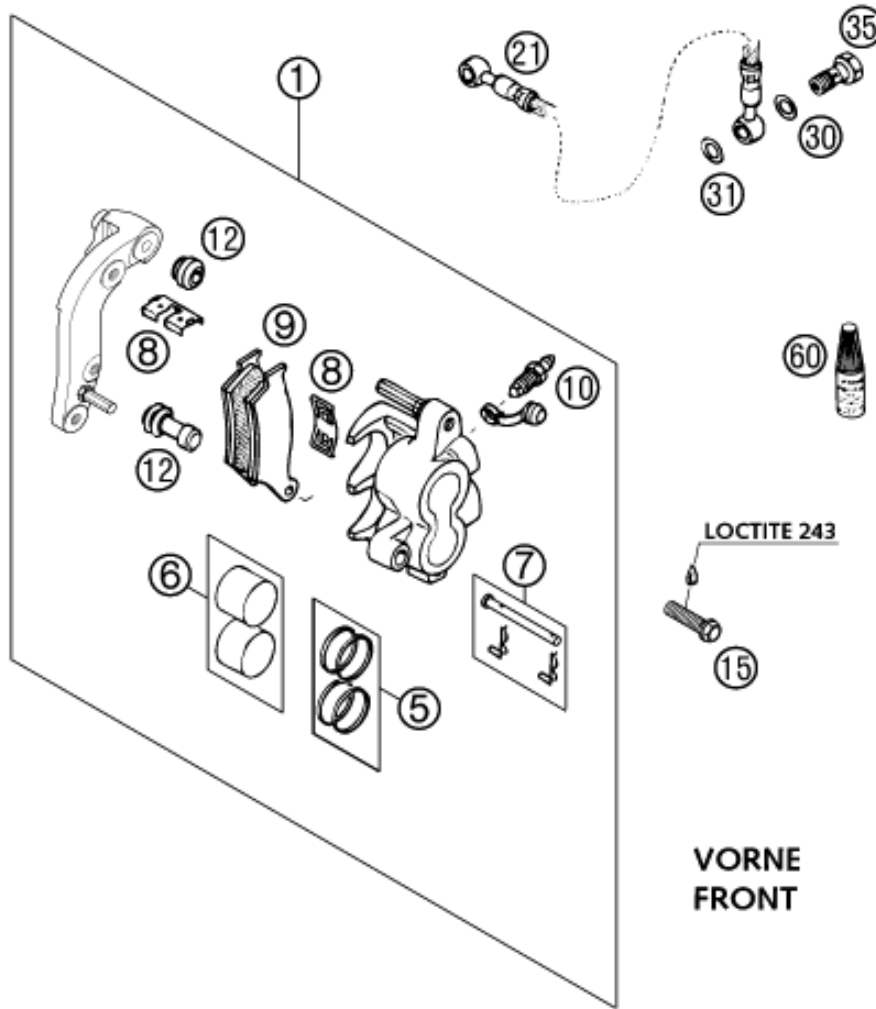
POS	PARTNUMBER	PARTNAME	PIECE
1	0912080603	AH SCREW DIN0912-M 8X60	1
2	59003060044	REAR FOOT BRAKE LEVER CPL.2000	1
3	0472022100	CIRCLIP DIN0472-22X1	1
4	0625006087	GROOVED BALL BEAR. 608 2RS C3	2
5	0985080003	SELF LOCKING NUT DIN0985-M 8	1
6	12011016000	WASHER 6 X 12 X 3	1
7	0934060003	HEXAGON NUT DIN0934-M 6	1
8	0933060353	HH SCREW DIN0933-M 6X35	1
9	0125080003	WASHER DIN0125-A 8,4	1
10	54603062000	RETURN SPRING FOR BRAKELEVER	1
12	54603069000	SWIVEL HEAD M6 FOOT BRAKE LEV.	1
14	0934060003	HEXAGON NUT DIN0934-M 6	1
15	54603068000	PRESSURE ROD ALU 250 '90	1
16	54603060150	STEP PLATE FOR BRAKE LEVER	1
17	0966050203	OVAL HEAD SCREW DIN0966-M 5X20	1
18	0985050003	SELF LOCKING NUT DIN0985-M 5	1
20	50313060100	FOOTBRAKECYL. 13MM NATURE 2001	1
24	54513150000	REPAIR KIT PISTON 13MM	1
30	59003093000	BRAKECYL.PROTECTOR RACING 2000	1
32	0015060203	HH COLLAR SCREW M 6X20 WS=8	3
33	0015060123	HH COLLAR SCREW M 6X12 WS=8	2
36	50235033300	SNAP-NUT HOLDER M6 KP142	2
38	50308052000	BUSH FOR SPOILER 6X11X16X5 MM	2
40	50313070000	BRAKE HOSE RE.590MM 125-380'98	1
49	42013026000	CU-SEAL RING DIN7603-10X16X1,5	1
50	42013226000	CU-SEAL RING DIN7603-10X16X1	1
51	50213025000	HOLLOW SCREW M10X1X19	1
52	50311051100	BRAKE LIGHT SWITCH REAR '98	1
60	54513030044	BRAKE FLUID RESERVOIR '89	1
62	58007016101	HOSE FOR RESERVOIR 6X1,5	0
63	0014060103	HH COLLAR SCREW M 6X10 WS=8	1
64	59013068000	BRACKET BRAKE FLUID RESERVOIR	1
66	58007017000	YDNAC CLAMP 10101 (10,4MM)	2
80	306054	BRAKE FLUID DOT 4.0 1/4 LITRE	1

02590131

631

* NEW PART

X ON DEMAND



POS	PARTNUMBER	PARTNAME	PIECE
1	59013015144	BRAKECALIPER FRONT BREMBO 00	1
5	54613205000	REPAIR KIT 28MM	1
6	54613206000	REPAIR KIT PISTON 28MM	1
7	54613210100	BOLT CPL. 6X56	1
8	54613212000	RETAINING PLATE SET BREMBO	1
9	50313030000	BRAKE PAD SET FR. TOSHIBA H38	x
9	54613209044	BRAKE PAD SET FR. FERODID450	x
9	50313030100	BRKP.SET FR.TOSHIBATT2701HHB	1
10	54513214000	BLEEDER SCREW M10X1	1
12	54613218000	CUP SET SHORT	1
15	0015080350	HH COLLAR SCR. M8X35 WS10	2
21	59013010000	BRAKEHO. FRONT 1235MM 2000 SX RACING	1
21	59013011000	BRAKEHO. FRONT 1300MM 2000 MXC, EXC RACING	1
30	42013226000	CU-SEAL RING DIN7603-10X16X1	2
31	42013026000	CU-SEAL RING DIN7603-10X16X1,5	2
35	50213025000	HOLLOW SCREW M10X1X19	1
60	6899785	LOCTITE 243 BLUE 5 ML	1

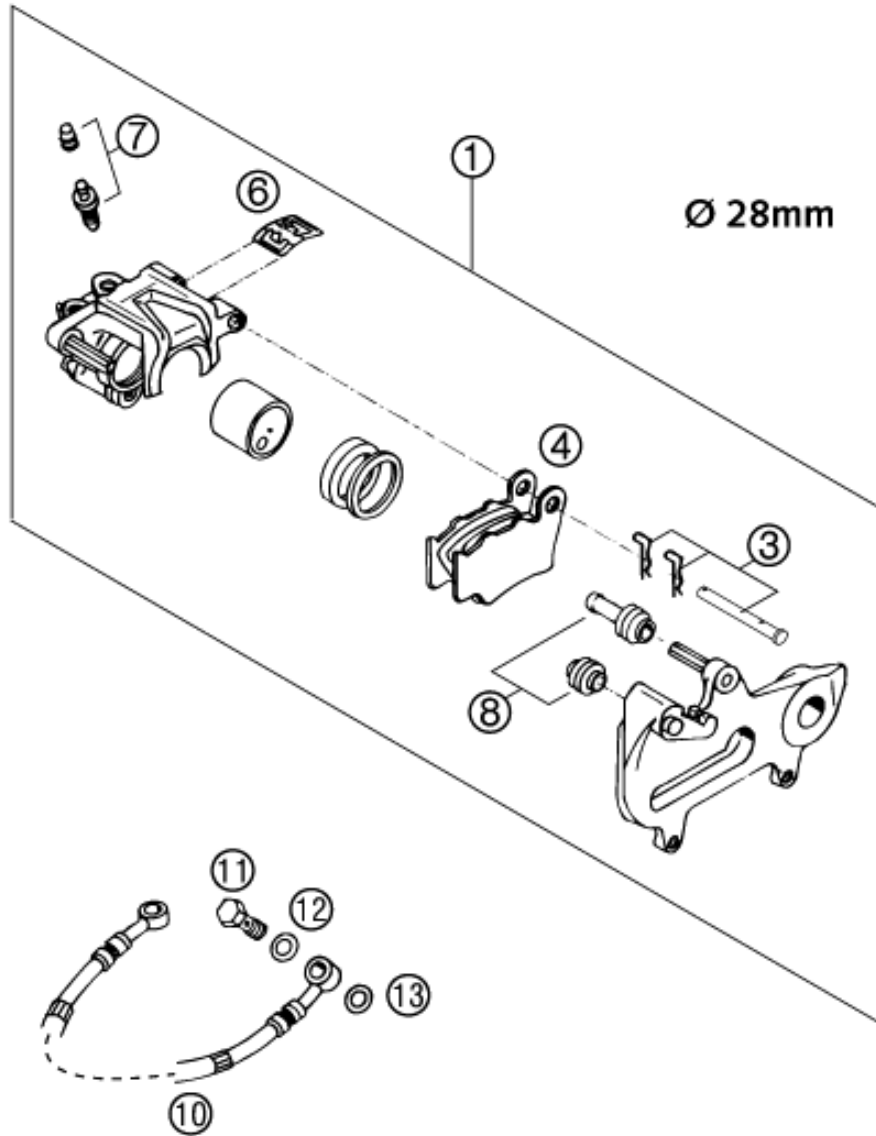
**VORNE
FRONT**

02590134

634

* NEW PART

X ON DEMAND



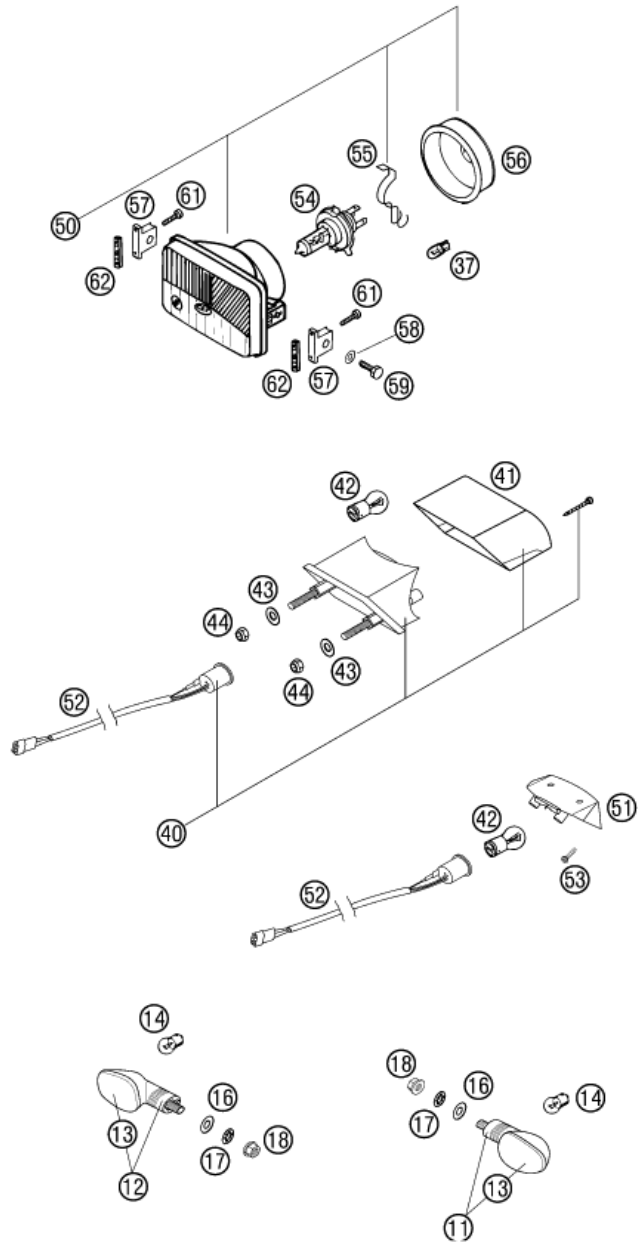
POS	PARTNUMBER	PARTNAME	PIECE
1	50313080144	BRAKE CALIPER REAR CPL.28MM 01	1
3	50313082000	BOLT SET F. BRAKE CALIPER	1
4	54613309200	BRAKE PAD SET FERIT ID450FF	x
4	54613309300	BRAKE PAD SET REAR SINTER	x
4	54613309400	BRAKE PAD SET RR FERRIT222	x
4	50313090000	BRAKE PAD REAR TOSHIBA TTH38GF	1
6	54613311200	RETAINING SPRING SET	1
7	50313020000	BLEEDER SCREW M10X1 2001	1
8	54613218000	CUP SET SHORT	1
10	50313070000	BRAKE HOSE RE.590MM 125-380'98	1
11	50213025000	HOLLOW SCREW M10X1X19	1
12	42013226000	CU-SEAL RING DIN7603-10X16X1	1
13	42013026000	CU-SEAL RING DIN7603-10X16X1,5	1

02590132

632

* NEW PART

X ON DEMAND

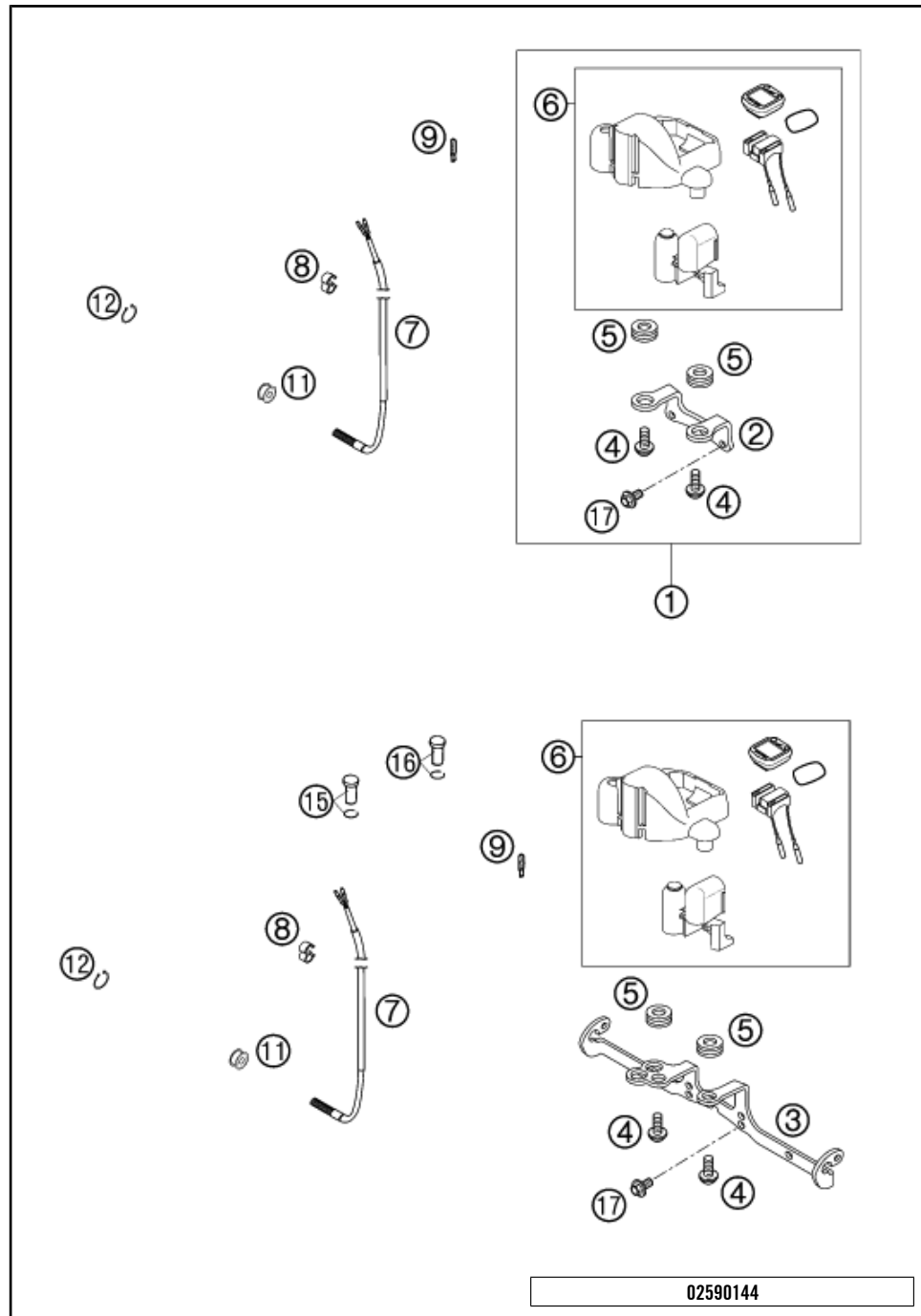


02590140

POS	PARTNUMBER	PARTNAME	PIECE
11	5841402500030	FLASHER CPL.FRONT L/S REAR R/S BLACK	2
12	5841402600030	FLASHER CPL.FRONT R/S REAR L/S BLACK	2
13	58414028000	FLASHER LENS L/S & R/S '98	4
14	44111015100	BULB 12V 10W (BA15S)	4
16	0125100003	WASHER DIN0125-A10,5	4
17	0797100003	LOCK WASHER DIN6797-J10,5 ZI	4
18	58414030000	HH COLLAR NUT M10X1,25 WS=13	4
37	49011435000	BULB 12V 5W (W2,1X9,5D)	1
40	50314040100	RR LIGHT CPL.125-380 EGS '98	1
41	50314041100	REAR LIGHT LENS 125-380 EGS'98	1
42	58414042000	BULB 12V 21/5W (BAY15S)REINFO.	1
43	0021060003	WASHER DIN9021-A 6,4	2
44	0985060003	SELF LOCK. NUT DIN0985-M 6	2
50	59014002000	HEAD LIGHT 186(RI)''1003202 R' RIGHT TRAFFIC	1
50	59014002100	HEAD LIGHT 186(LE)''1003203 L' LEFT TRAFFIC	1
51	50314041000	REAR LIGHT LENS 125-380 EXC'98	1
52	50311076000	WIRING HARNESS REAR 125-380'98	1
53	0017060203	EJOT PT SCREW K60X20 WS=6	2
54	54611038012	BULB HS1 12V 35/35W WHITE	1
55	49011436100	BULB HOLDER	1
56	50211537000	RUBBER CAP	1
57	58414010100	HEAD LIGHT SUPPORT 2001	2
58	0125060003	WASHER DIN0125-A 6,4	2
59	0933060203	HH SCREW DIN0933-M 6X20	2
61	0016040183	SCREW FOR PLASTIC D=4X18	4
62	50211410050	HEADLIGHT BRACKET '93	2

635

* NEW PART X ON DEMAND



POS	PARTNUMBER	PARTNAME	PIECE
1	50314065244	SPEEDOMETER CASE CPL. EXC '99	1
2	50314060000	SPEEDOMET.BRACKET EXC BLACK'99	1
3	50314061100	SPEEDOMET.BRACKET EGS '99	1
4	0016050121	SCREW FOR PLASTIC 50X12 BLACK	2
5	31008060000	RUBBER SLEEVE D=8MM OPEN	2
6	50314069044	SPEEDO.SIGMASPORT 500 CPL.'99	1
7	58314069151	CABLE FOR SIGMA 500 '98	1
8	55011022100	CLAMP D=6/8MM, BLACK	3
9	49111425000	BULB 12V 1,2W (W2X4,6D)	2
11	50314069050	MAGNET FOR DIGITALSPEEDOM.2000	1
12	0471009104	CIRCLIP DIN0471- 9X1 INOX	1
15	58011021300	H.BEAM INDICATOR LIGHT BLUE'98	1
16	58011024300	FLASHER INDICAT.LIGHT GREEN'98	1
17	0014060103	HH COLLAR SCREW M 6X10 WS=8	2

638

* NEW PART X ON DEMAND

A large, empty rectangular box with a thin black border, occupying the majority of the page. It is intended for handwritten notes related to the document's title.

WWW.KTM.COM



KTM Sportmotorcycle GmbH
5230 Mattighofen, Austria
www.ktm.com



KTM_POWERPARTS

KTM_POWERWEAR

KTM_ORIGINAL SPARE PARTS



3CF850323EN

Art. Nr.: 3CF850323EN 11. Jan 2017