


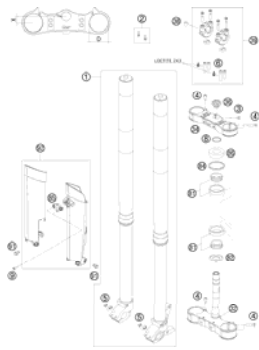
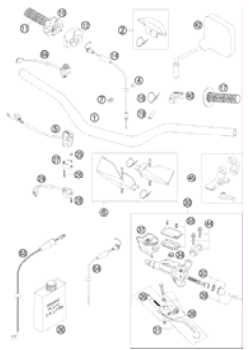
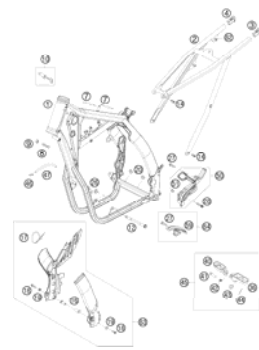
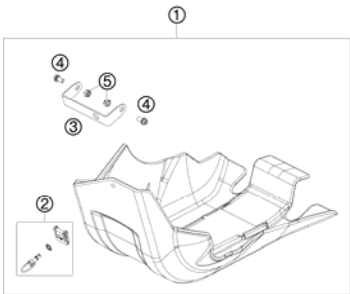
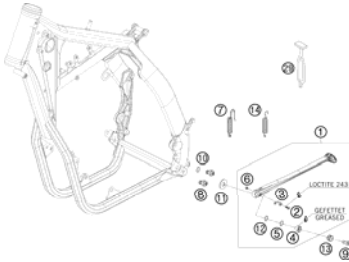
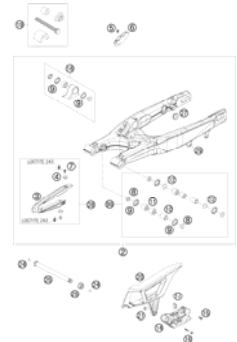
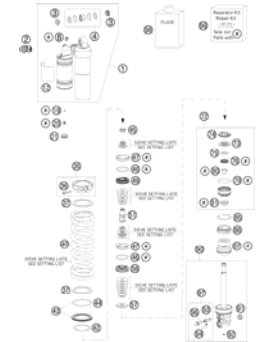
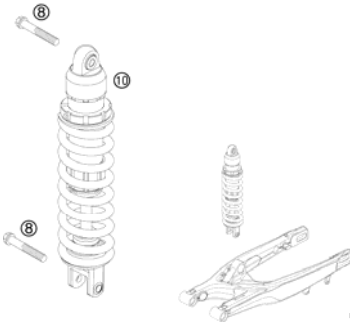
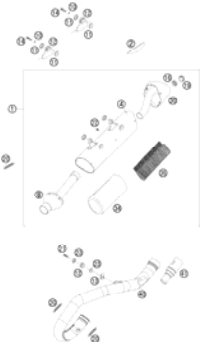
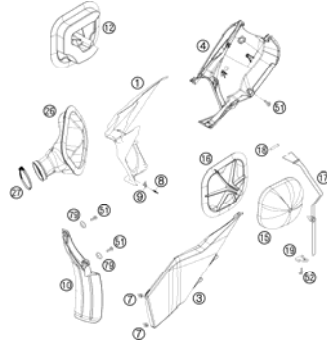
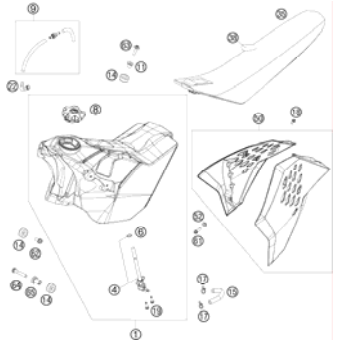
530 EXC SIX DAYS EU 2009

SPARE PARTS MANUAL: CHASSIS

ART.NO.: 3CF8503I2EN

ENGLISH



| | | | |
|---|--|---|--|
| <p>FRONT FORK DISASSEMBLED</p>  <p>4</p> | <p>FRONT FORK, TRIPLE CLAMP</p>  <p>6</p> | <p>HANDLEBAR, CONTROLS</p>  <p>7</p> | <p>FRAME</p>  <p>8</p> |
| <p>ENGINE GUARD</p>  <p>9</p> | <p>SIDE / CENTER STAND</p>  <p>10</p> | <p>SWING ARM</p>  <p>11</p> | <p>SHOCK ABSORBER DISASSEMBLED</p>  <p>12</p> |
| <p>SHOCK ABSORBER</p>  <p>14</p> | <p>EXHAUST SYSTEM</p>  <p>15</p> | <p>AIR FILTER</p>  <p>16</p> | <p>TANK, SEAT, COVER</p>  <p>17</p> |

MASK, FENDERS

18

DECAL

19

FRONT WHEEL

20

REAR WHEEL

21

WIRING HARNESS

23

HAND BRAKE CYLINDER

24

BRAKE CALIPER FRONT

25

BRAKE CALIPER REAR

26

REAR BRAKE CONTROL

27

LIGHTING SYSTEM

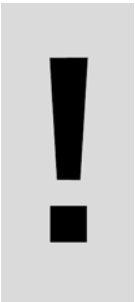
28

INSTRUMENTS / LOCK SYSTEM

29

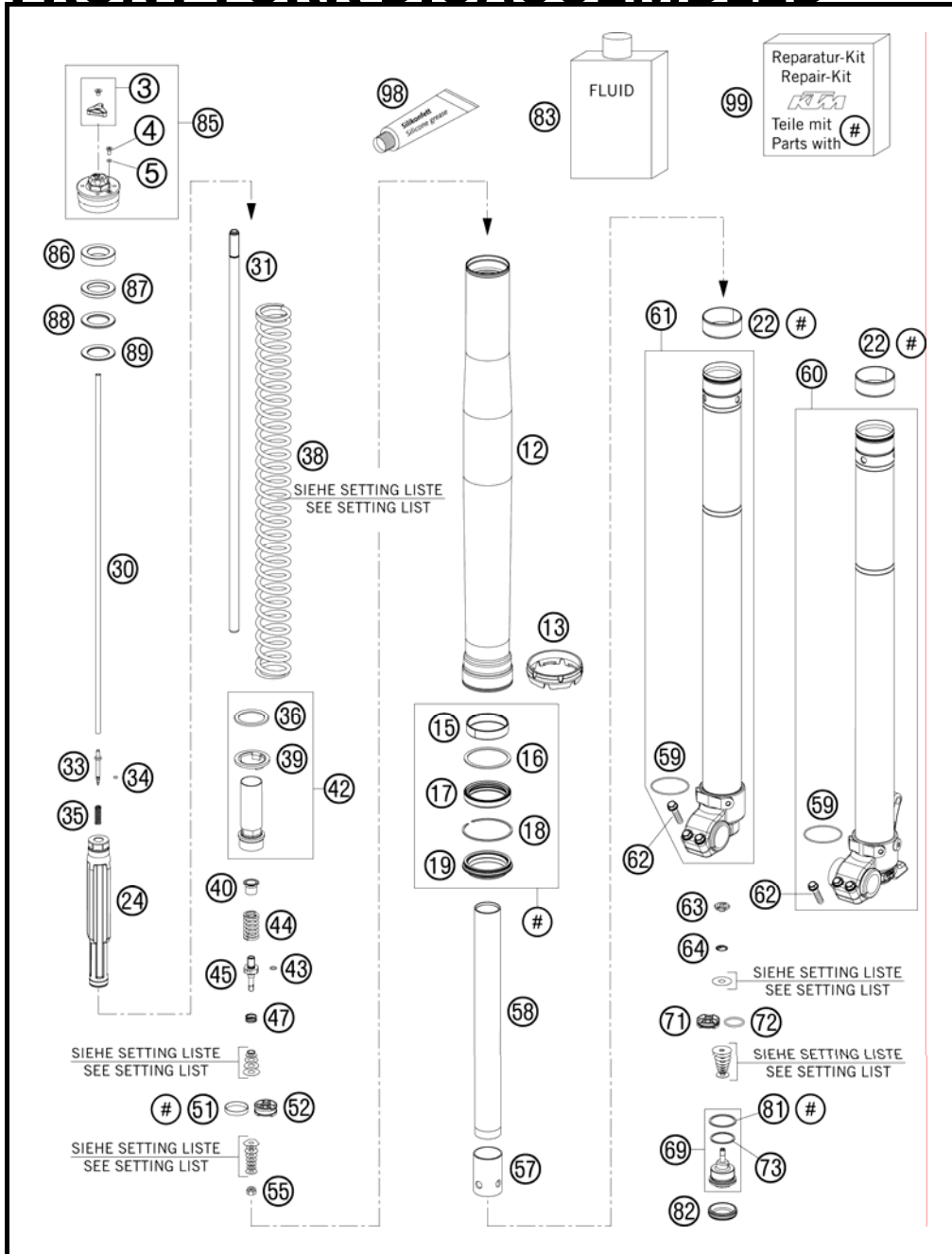
ACCESSORIES KIT

30

| | | | |
|--|---|--|--|
| | | | |
| | | | |
| |  | <p>All information contained is without obligation. KTM-Sportmotorcycle AG particularly reserves the right to modify any equipment, technical specifications, prices, colors, shapes, materials, services, service work, constructions, equipment and the like so as to adapt them to local conditions or to cancel any of the above items, all without previous announcement and without giving reasons. KTM may stop manufacturing certain models without previous notice. KTM shall not be held liable for any deviations of availability and/or ability to deliver, illustrations, descriptions, printing and/or other errors. The illustrated models partly contain extra equipment, which is not applied to standard models. © by KTM-SPORTMOTORCYCLE AG, Mattighofen AUSTRIA; All rights reserved; Reprint, also in extracts, with written allowance of KTM-SPORTMOTORCYCLE AG, Mattighofen only.</p> | |

FRONT FORK DISASSEMBLED

530 EXC SIX DAYS EU 2009



| FIG | PART NUMBER | DESCRIPTION | QTY |
|-----|-------------|--------------------------------|-----|
| 3* | 48600812S | ADJUSTING KNOB + SCREW | 2 |
| 4 | 48600481 | VENT SCREW M4X8 | 2 |
| 5 | 48600009 | O-RING NBR 3,7X1,6 | 2 |
| 12* | 48600736 | OUTER TUBE L577 D54/60MM 2L | 2 |
| 13 | 48600698 | FORK PROTECTION RING 08 | 2 |
| 15 | 48600429 | DU-BUSH D48XD52X12DDL02 | 2 |
| 16 | 48600013 | SUPPORT RING 50 X 57,6 X 1,5 | 2 |
| 17 | 48600347 | OIL SEAL RING 48X57,8X9,5 03 | 2 |
| 18 | 48600070 | LOCK WASHER SB58 | 2 |
| 19 | 48600400 | DUST CAP D=48 58,4X11,8 | 2 |
| 22 | 48600428 | DU-BUSH D47XD49X20DDL02 | 2 |
| 24 | 48600557S | HYDR.STOP L=200 D=31,9 CPL. 07 | 2 |
| 30 | 48600559 | ADJUSTING TUBE L=520 07 | 2 |
| 31 | 48600568 | PISTON ROD D=12 L=554 ALU | 2 |
| 33 | 48600277 | ADJUSTER NEEDLE 07 | 2 |
| 34 | 48600298 | O-RING 2X1,5 NBR | 2 |
| 35 | 48600444 | REBOUND SPRING C=4N/MM | 2 |
| 36 | 48600113 | WASHER 32X42X2,5 | 2 |
| 38 | 91410012S | SPRING 3,8N/MM SET D=4,9MM | x |
| 38 | 91410013S | SPRING 4,0N/MM SET D=5,0MM | x |
| 38 | 91410014S | SPRING 4,2N/MM SET D=5,0MM | x |
| 38 | 91410015S | SPRING 4,4N/MM SET D=5,1MM | x |
| 38 | 91410016S | SPRING 4,6N/MM SET | x |
| 38 | 91410017S | SPRING 4,8N/MM SET | x |
| 39 | 48600021 | INTERM. RING 26,2 X 43 X 3 | 2 |
| 40 | 48600525 | GUIDING BUSH REBOUND SPRING | 2 |
| 42* | 48600762S | SCREW SLEEVE M27X,08 L=100 KPL | 2 |
| 43 | 48600299 | O-RING 6X1,2 NBR | 2 |
| 44 | 48600511 | REBOUND SPRING L=32 C=17 | 2 |
| 45* | 48600576 | PISTON ROD REBOUND | 2 |
| 47 | 48600382 | SHUTTLE VALVE SPRING C=0,4 | 2 |
| 51* | 48600455 | PISTON RING 5X1X68 | 2 |
| 52* | 48600575 | PISTON REBOUND SX 2007 | 2 |
| 55 | 40540486 | NUT M6X0,5 REBOUND | 2 |
| 57* | 48600764 | ADAPTER SLEEVE D23/D28 | 2 |
| 58* | 48600763 | PIPE D23/L350 09 | 2 |

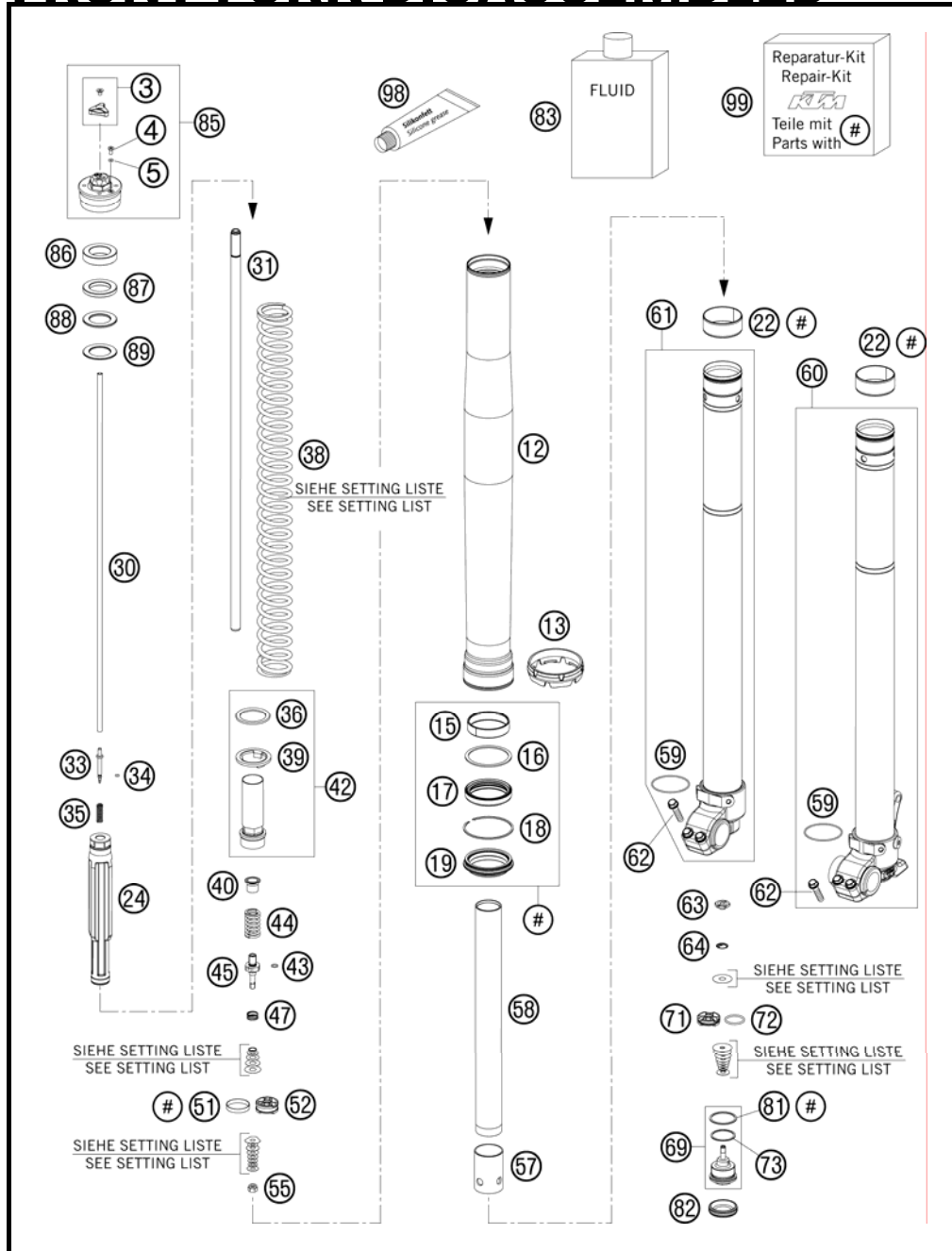
095030130 / C095030130

* NEW PART

X AS REQUIRED

FRONT FORK DISASSEMBLED

530 EXC SIX DAYS EU 2009



| FIG | PART NUMBER | DESCRIPTION | QTY |
|-----|-------------|--------------------------------|-----|
| 59 | 48600048 | O-RING NBR 46 X 2 | 2 |
| 60* | 48600237S3 | AXLE CLAMP L/S + TUBE CPL. 09 | 1 |
| 61* | 48600238S4 | AXLE CLAMP R/S + TUBE CPL. 09 | 1 |
| 62 | 0025080256 | HH COLLAR SCREW M8X25 TX40 | 4 |
| 63 | 48600163 | CHECK VALVE NUT M6X0,5 D=2 | 2 |
| 64 | 48600202 | SPRING CHECK VALVE D=0,7 | 2 |
| 69 | 48600586S | TAP COMPRESSION CPL. 07 | 2 |
| 71 | 48600047 | PISTON COMPRESSION D=27,9 | 2 |
| 72 | 46811499 | O-RING NBR 21X2 | 2 |
| 73 | 35480320 | O-RING NBR 24X2 | 2 |
| 81 | 48600004 | COPPER WASHER 29,5X33,5X1 | 2 |
| 82 | 48600141 | RUBBER CAP D=35MM | 2 |
| 83 | 48600401S1 | FORK OIL SAE5 5L 2005 | 1 |
| 85* | 48600431S2 | PRE-LOAD ADJ. M51X1,5 09 | 2 |
| 86 | 48600038 | SPACER 42X26,5X10 | 2 |
| 87 | 48600037 | SPACER 42X26,5X5 | 2 |
| 88 | 48600036 | SPACER 42X26,5X2,5 | 2 |
| 89 | 48600053 | SPACER 42X26,5X1,5 | 2 |
| 98 | T511 | SILICONE GREASE F. DUST STRI | 1 |
| 99* | R14016 | REPAIR-KIT EXC FRONT FORK 2009 | 1 |

095030130 / C095030130

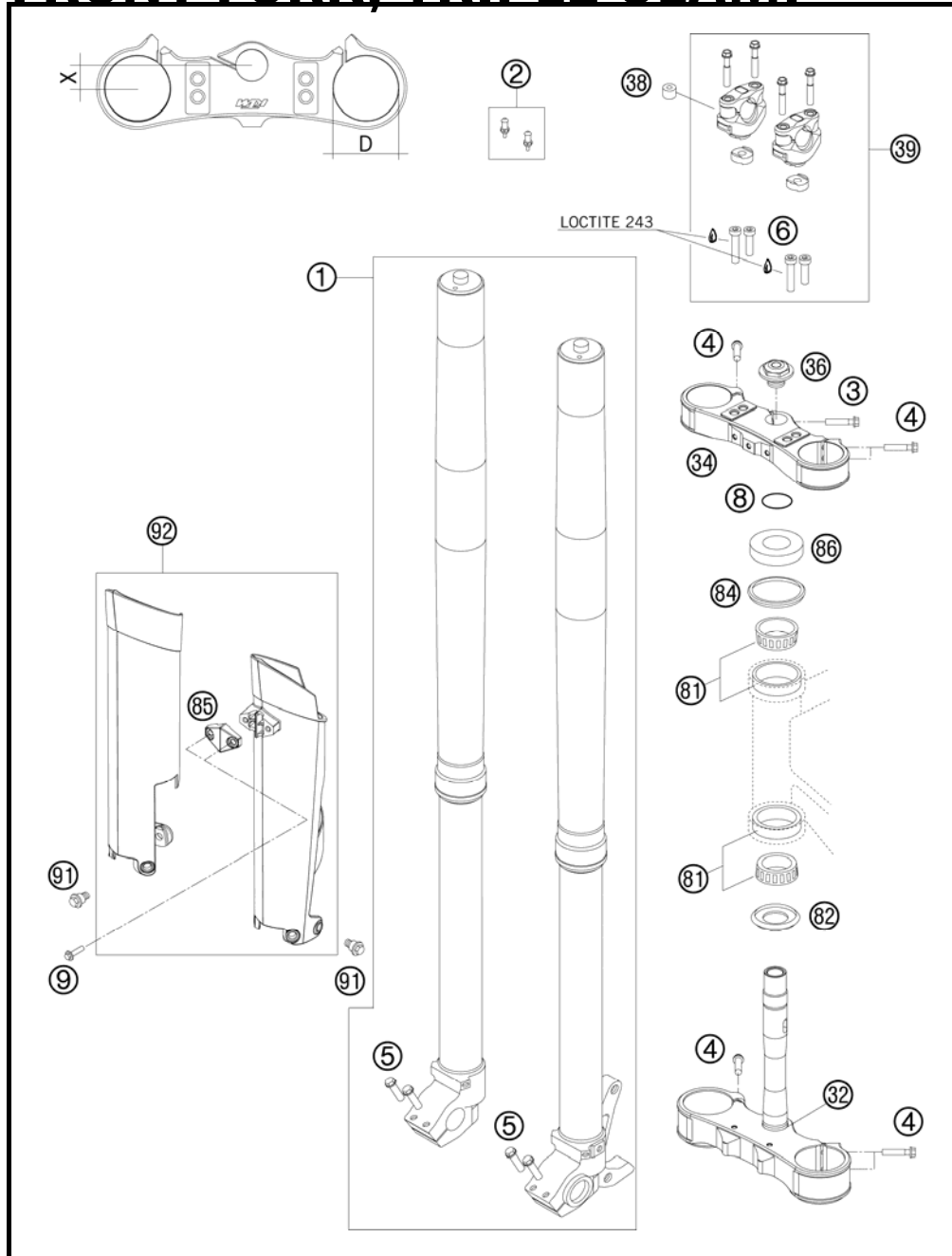
* NEW PART

X AS REQUIRED



FRONT FORK, TRIPLE CLAMP

530 EXC SIX DAYS EU 2009



| FIG | PART NUMBER | DESCRIPTION | QTY |
|-----|---------------|--------------------------------|-----|
| 1* | 14187E0601 | FORK KTM 450/530EXC/XC-W 2009 | 1 |
| 2* | SXS08125610 | BLEEDER VALVE SET | 1 |
| 3 | 0025080256S | HH COLLAR SCREW M8X25 TX40 | 1 |
| 4 | 0025080356 | HH COLLAR SCREW M8X35 TX40 | 8 |
| 5 | 0025080256 | HH COLLAR SCREW M8X25 TX40 | 4 |
| 6 | 0912100250 | AH SCREW DIN6912-M10X25,10.9,L | x |
| 6 | 0912100356 | AH SCREW DIN6912-M10X35 10.9 | 2 |
| 8 | 0770025035 | O-RING 25X3,55 NBR70 05 | 1 |
| 9 | 0017060204 | EJOT PT SCREW K60X20 ALU WS=6 | 2 |
| 32* | 7800103211930 | BOT. TR. CLAMP CPL. X=19MM 09 | 1 |
| 34* | 5940103401930 | TOP TRIPLE CLAMP D=54MM 09 | x |
| 36 | 54801036000 | STEER.HEAD SCREW M20X1,5 WS=27 | 1 |
| 38 | SXS05125203 | ELASTOMER GREEN/SOFT | 4 |
| 38 | SXS05125204 | ELASTOMER YELLOW/MEDIUM | 4 |
| 38 | SXS05125205 | ELASTOMER RED/HARD | 4 |
| 39 | SXS07125200 | HANDLEB.SUPP. PHDS | 1 |
| 81 | 54201081100 | TAPERED ROLLER BEARING CPL. 06 | 2 |
| 82* | 54601084200 | O-RING SUPPORT W. SEALING LIP | 1 |
| 84 | 54601184000 | STEERING HEAD GASKET TOP | 1 |
| 85 | 7800108500004 | CLAMP FOR SPEED CABLE D=6MM 08 | 1 |
| 86 | 54201086000 | STEERING HEAD COVER | 1 |
| 91 | 59001092050 | SPECIAL SCREW M6X12,5 WS=8 | 6 |
| 92 | 7800109400004 | FORK PROTECTOR LE+RI ORANGE 08 | 1 |

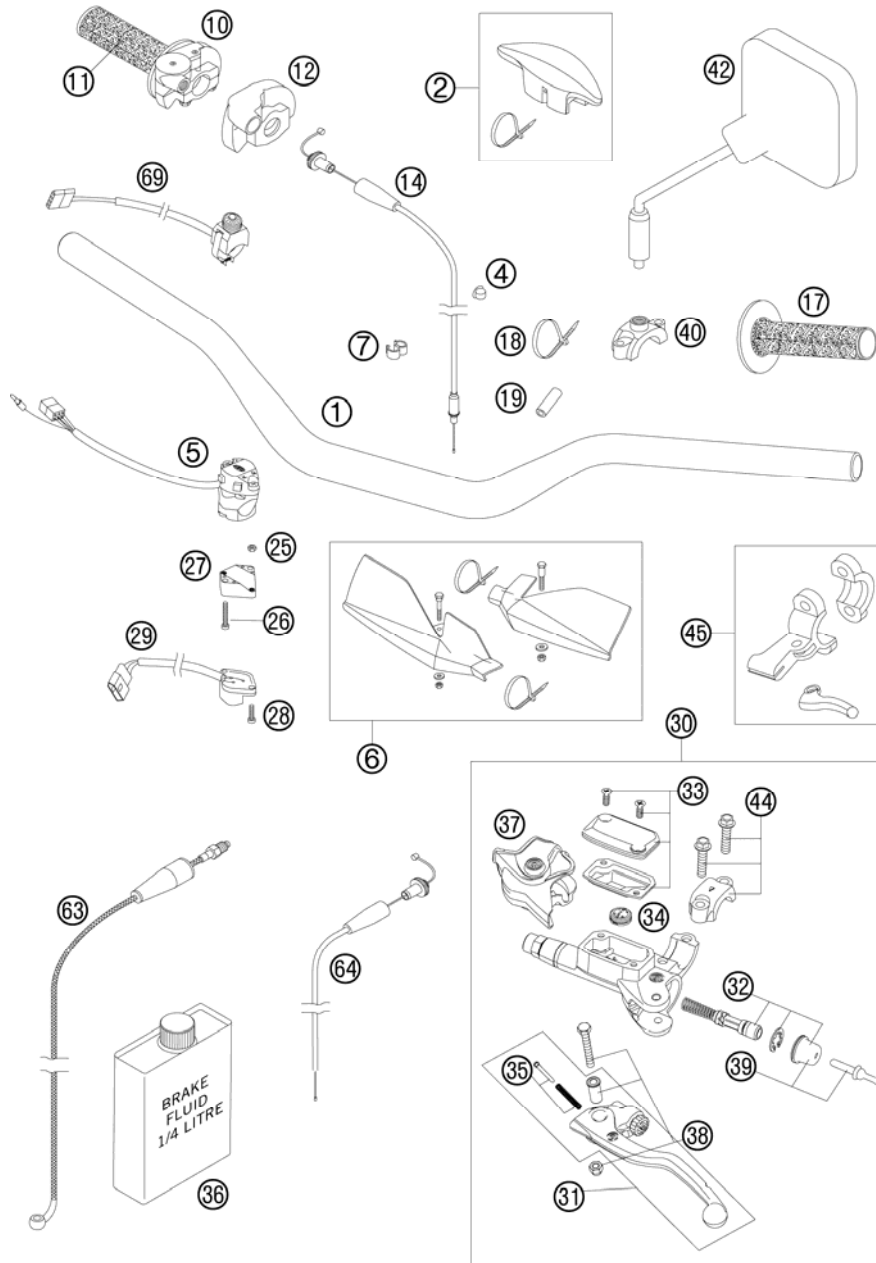
095510110 / C097800113

* NEW PART

X AS REQUIRED

HANDLEBAR, CONTROLS

530 EXC SIX DAYS EU 2009

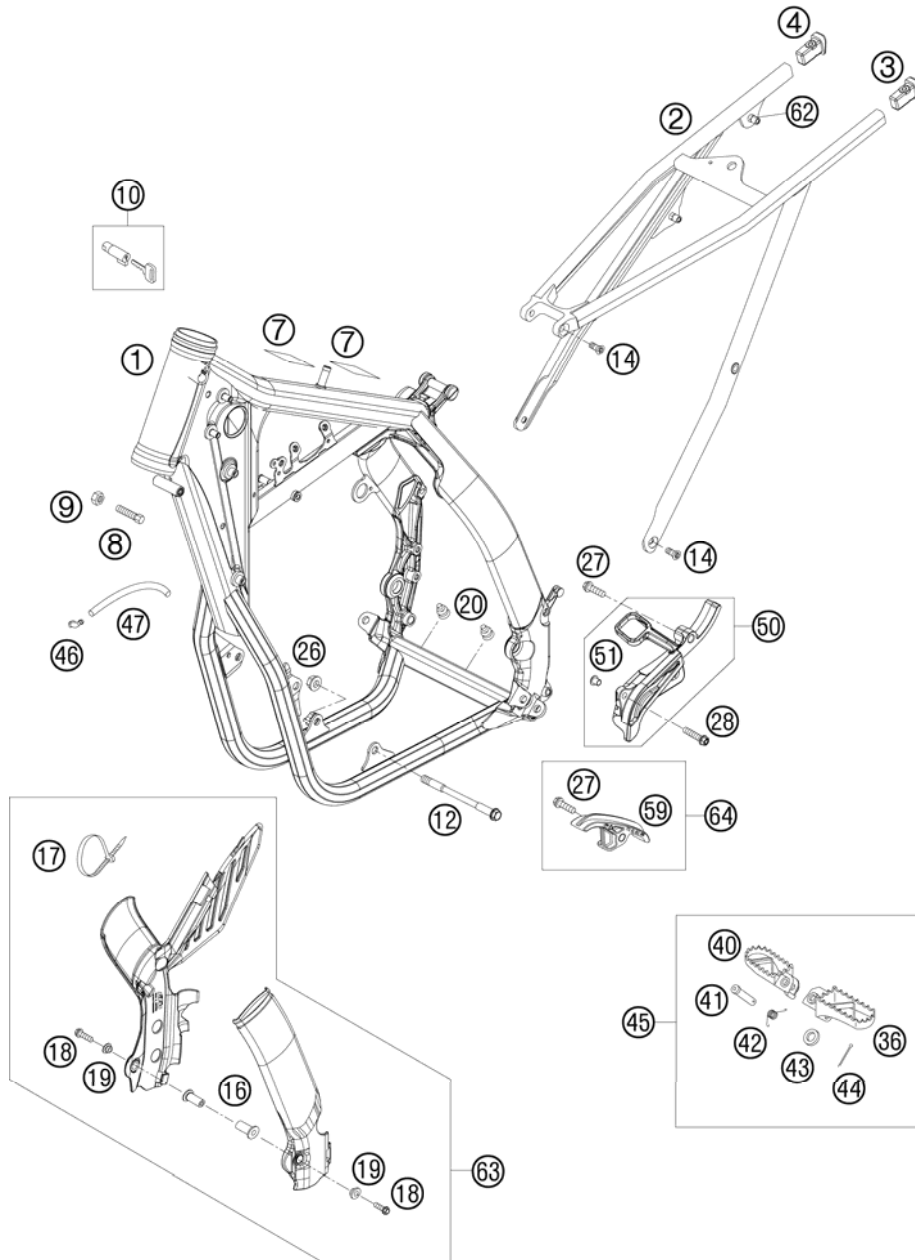


| FIG | PART NUMBER | DESCRIPTION | QTY |
|-----|---------------|--------------------------------|-----|
| 1 | 5480200130017 | HANDLEBAR NEKEN D=28MM EXC 07 | 1 |
| 2 | 59002002000 | HANDLEBAR PAD 05 | 1 |
| 5 | 50311070000 | H.LIGHT SWITCH CEV 2/4TAKT '98 | 1 |
| 6 | 7700207900004 | HAND GUARDS CPL.L/S+R/S OR. 06 | 2 |
| 10 | 59402010000 | THROTTLE GRIP CPL. RACING 2004 | 1 |
| 11 | 54802013000 | TWIST GRIP COVER RENTHAL 04 | 1 |
| 14 | 77002091000 | THROTTLE CABLE 250 SXF 2005 | 1 |
| 17 | 54802039000 | FIXED GRIP RENTHAL 04 | 1 |
| 18 | 44011076200 | CABLE TIE 200/3,6MM BLACK | 1 |
| 19 | 78011016015 | HOSE 7X11,5X15 | x |
| 25* | 0934040003 | HEXAGON NUT DIN0934-M 4 | 2 |
| 26* | 0084040223 | CYL.HEAD SCREW DIN0084-M 4X22A | 2 |
| 27* | 13011070060 | ADAPTER FOR FLASHER SWITCH '98 | 1 |
| 28* | 0985040203 | FLAT HEAD SCREW DIN7985-M 4X20 | 2 |
| 29* | 50311029000 | FLASHER SWITCH CEV '98 | 1 |
| 30 | 54802030044 | MASTER CYLINDER CPL. 06 | 1 |
| 31 | 54802031000 | CLUTCH LEVER CPL. BREMBO 06 | 1 |
| 32 | 54802032000 | REP. KIT PISTON 06 | 1 |
| 33 | 54802003000 | COVER HYD. CLUTCH CPL. | 1 |
| 34 | 54802051000 | VALVE | 1 |
| 35 | 54802052000 | BOLT KPL. | 1 |
| 36 | 00062030000 | BRAKE FLUID DOT5.1 0,25L | 1 |
| 37 | 54802037000 | PROTECTION CAP 06 | 1 |
| 38 | 54802038100 | LEVER SCREW CPL. 06 | 1 |
| 39 | 54802046000 | PUSH ROD CPL. | 1 |
| 40* | 58012040150 | CLAMP FOR MIRROR '94 | 2 |
| 42* | 58412040000 | MIRROR L/S 98 | 1 |
| 42* | 58412041000 | MIRROR R/S 98 | 1 |
| 43* | 58412040050 | SUPPORT FOR MIRROR LC4 '98 | 1 |
| 44 | 54802005100 | CLAMP CPL. 06 | 1 |
| 45* | 78002050000 | LEVER F. COLD START ACT. 08 | 1 |
| 63 | 54832063000 | CLUTCH PIPE 06 | 1 |
| 64* | 78031078000 | CABLE F. COLD START ACT. 08 | 1 |
| 69 | 59411074000 | STARTER CONTROL 04 | 1 |

095510212 / C097860210

* NEW PART

X AS REQUIRED

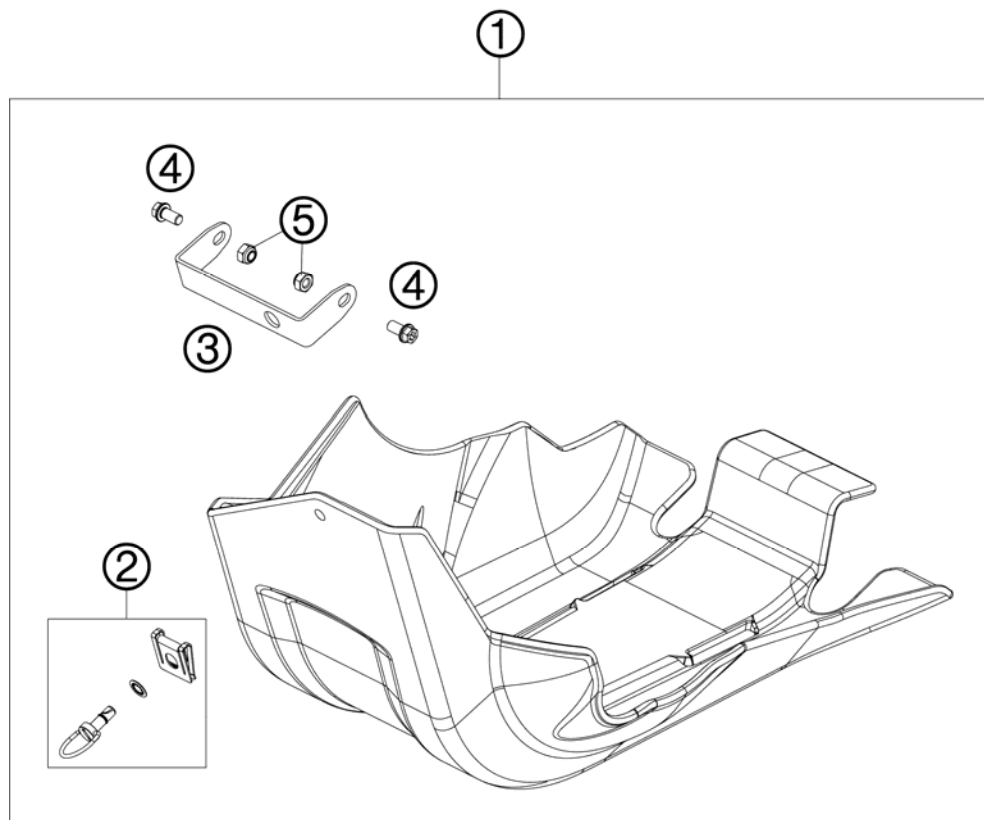


| FIG | PART NUMBER | DESCRIPTION | QTY |
|-----|---------------|--------------------------------|-----|
| 1* | 7800300130030 | FRAME EXC "DC09" 09 | 1 |
| 2 | 77303002000 | SUB FRAME SX "Q7" 07 | 1 |
| 3 | 78003002010 | SUB FRAME APPLICATION LEFT 08 | 1 |
| 4 | 78003002020 | SUB FRAME APPLICATION RIGHT 08 | 1 |
| 7 | 50307012000 | ADH. FOIL TRANSP. 80X80 MM 04 | 2 |
| 8 | 59001037000 | SPECIAL SCREW M8X26 WS=10 | 2 |
| 9 | 0934080003 | HEXAGON NUT DIN0934-M 8 | 2 |
| 10 | 78003035000 | STEERING HEAD LOCK 08 | 1 |
| 12 | 59003013000 | ENGINEBRAC.SCREW M10X123 WS=13 | 2 |
| 14 | 0019080206S | FLAT HEAD SCREW M. ISA45 M8X20 | 4 |
| 16* | 54803092050 | BLIND PLUG-IN NUT M5 WN 22A 03 | 2 |
| 17* | 44011076305 | CABLE TIE 300/4,8MM BLACK | 3 |
| 18* | 0738050250 | COU.SUNK SCR. AH ISO7380 M5X25 | 2 |
| 19* | 54803092050 | BLIND PLUG-IN NUT M5 WN 22A 03 | 2 |
| 20 | 54403135000 | PLASTIC CAP SFL10 | 2 |
| 26 | 54310086100 | SELF LOCKING NUT M10 CU WS=14 | 2 |
| 27 | 0025080306 | HH COLLAR SCREW M8X30 TX40 | 2 |
| 28 | 0025060356 | HH COLLAR SCREW M6X35 TX30 | 1 |
| 36 | 59003040250 | FOOT PED L/S SILVER 02 | 1 |
| 40 | 59003041250 | FOOT PED R/S SILVER 02 | 1 |
| 41 | 54803044000 | BOLT FOR FOOT PED 03 | 2 |
| 42 | 54603041000 | FOOTREST SPRING L/S & R/S | 2 |
| 43 | 0125100003 | WASHER DIN0125-A10,5 | 2 |
| 44 | 0094032253 | PIN DIN0094-3,2X25 STEEL | 2 |
| 45 | 5030314013390 | FOOTREST L.+R. CPL. 03 | 1 |
| 46 | 50303089000 | ANGEL PIECE '97 | 2 |
| 47 | 78015019000 | HOSE EPA D=6/10 L=2000MM | x |
| 50 | 78003096000 | CHAIN SPR. COV. 450/525 EXC-F | 1 |
| 51 | 58314060050 | SPACER BUSH. F. SPEEDOMET.BRA. | 1 |
| 59 | 77303053000 | CHAIN SLIDING PIECE BELOW 07 | 1 |
| 62 | 77303139000 | BLIND RIVET NUT EM6-60LF/HX | x |
| 63* | 77303094100 | PLASTIC FRAME PROTECTION SET | 1 |
| 64 | 77303053010 | CHAIN SLIDING P. BELOW CPL. 07 | 1 |

097800311 / C097800313

* NEW PART

X AS REQUIRED



| FIG | PART NUMBER | DESCRIPTION | QTY |
|-----|-------------|----------------------------|-----|
| 1* | 78003190000 | SKID PLATE PLASTIC | 1 |
| 2* | 59003090350 | QUICK RELEASE 03 | 1 |
| 3* | 78003190010 | BRACKET | 1 |
| 4* | 0025060126 | HH COLLAR SCREW M6X12 TX30 | 2 |
| 5* | 0985060003 | SELF LOCK. NUT DIN0985-M 6 | 2 |

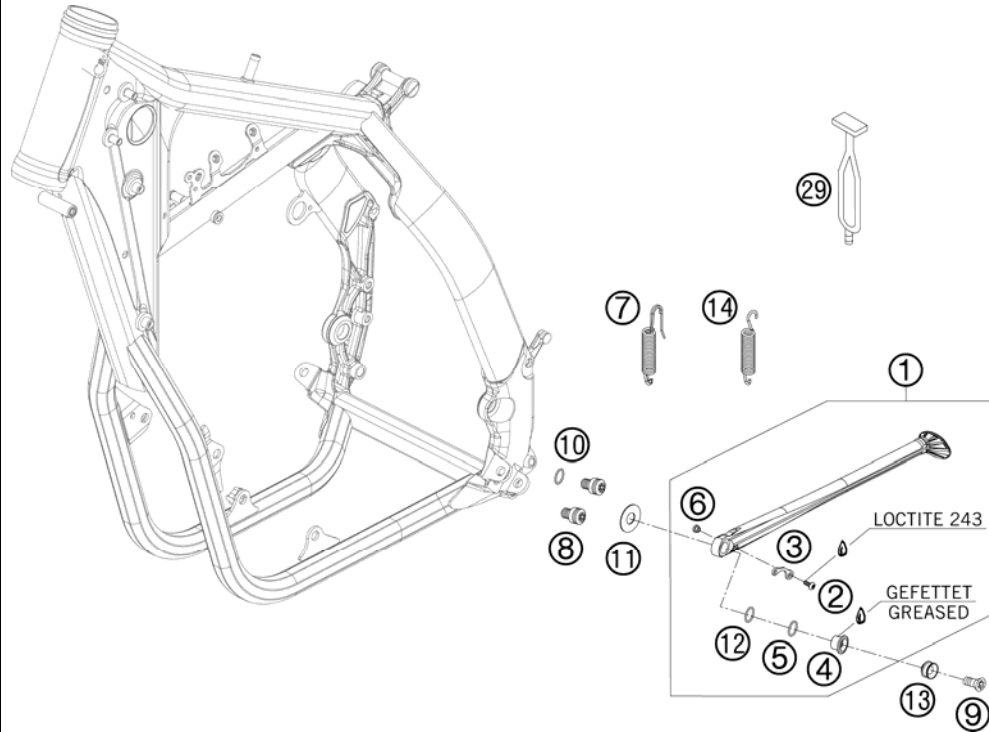
097800330 / C097800330

* NEW PART

X AS REQUIRED

SIDE / CENTER STAND

530 EXC SIX DAYS EU 2009

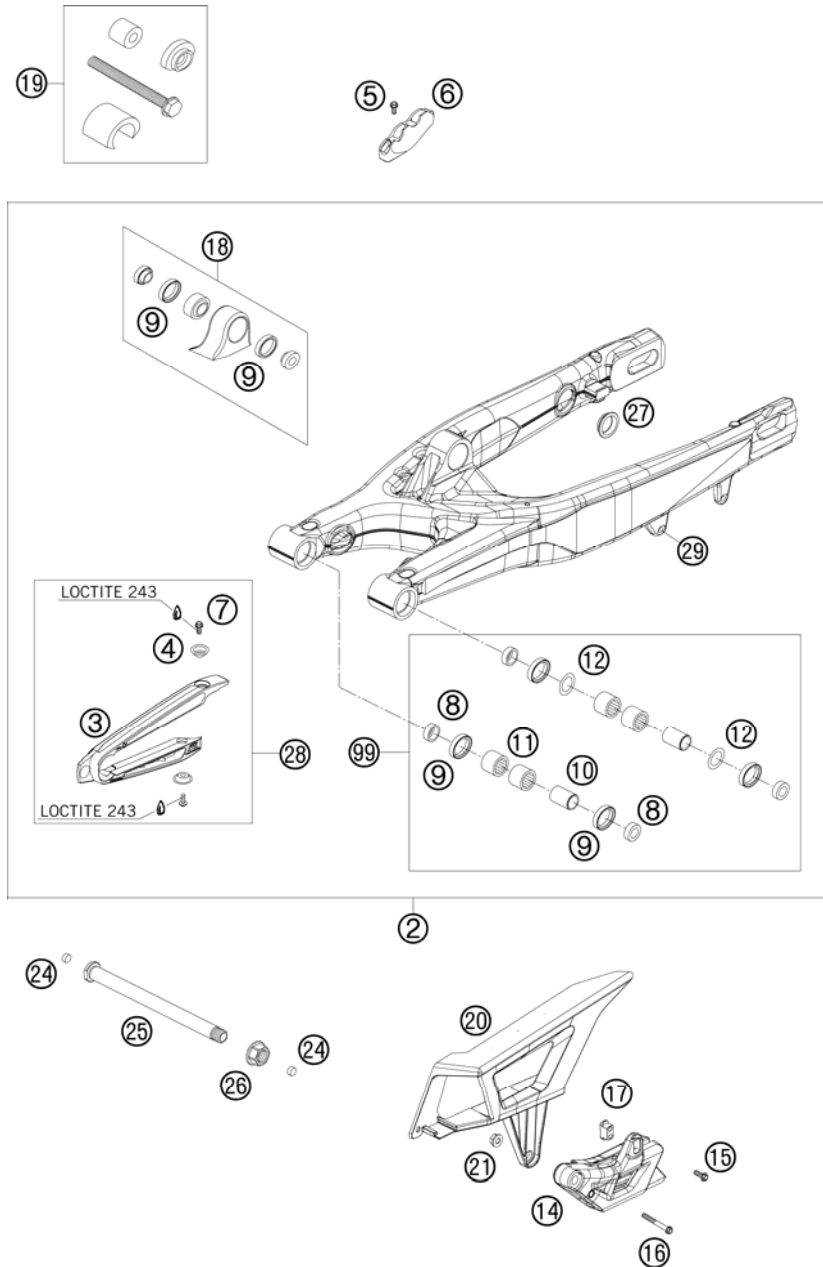


| FIG | PART NUMBER | DESCRIPTION | QTY |
|-----|-------------|---|-----|
| 1 | 78003023044 | SIDE STAND CPL. 08 | 1 |
| 2 | 58605083014 | SCREW M5X14 TORX 25 07 | 1 |
| 3 | 78003023090 | SPRING BRACKET F. SIDE ST. 08 | 1 |
| 4 | 78003023080 | SIDE STAND BUSHING EXC USA 08 | 1 |
| 5 | 0770180020 | O-RING 18,00X2,00 NBR 70 | 1 |
| 6 | 78003023070 | SPACER BUSH. SPRING BRACKET | 1 |
| 7 | 78003024000 | SIDE STAND SPRING EXC 08 ONLY FOR EXC | 1 |
| 8 | 78003023182 | SIDE STAND STOP SCREW M10X12 | 2 |
| 9 | 0019080266S | COUNTER-SUNK SCREW ISA45 M8X26 | 1 |
| 9 | 0025080306 | HH COLLAR SCREW M8X30 TX40 ONLY FOR EU | 1 |
| 10 | 0770120020 | O-RING 12,00X2,00 NBR 70 | 1 |
| 11 | 78003023083 | WASHER F. SIDE STAND 12,2X29,5 | 1 |
| 12 | 0770125015 | O-RING 12,5X1,5 NBR | 1 |
| 13 | 78003023081 | SIDE STAND BUSHING EXC-EU 08 ONLY FOR EU | 1 |
| 14 | 78003024100 | SIDE STAND SPRING 08 ONLY FOR XC | 1 |
| 29 | 50303018000 | RUBBER L=145MM | 1 |

097800360 / C097800360

* NEW PART

X AS REQUIRED



| FIG | PART NUMBER | DESCRIPTION | QTY |
|-----|-------------|--------------------------------|-----|
| 2 | 78004030144 | SWING ARM CPL. 08 | 1 |
| 3 | 77304066000 | CHAIN SLIDING PROTECTION | 1 |
| 4 | 77304066050 | BUSHING F. CHAIN SLIDING PR.07 | 2 |
| 5 | 0009050103 | SPECIAL SCREW M 5,0X10 | 2 |
| 6 | 77313047000 | BRAKE HOSE GUIDE LOWER | 1 |
| 7 | 59009062013 | SPECIAL SCREW M6X13 WS=8 10.9 | 2 |
| 8 | 54804034000 | BUCKET F. SHAFT SEAL RING 03 | 4 |
| 9 | 0760253270 | SHAFT SEAL RING 25X32X7 | 6 |
| 10 | 59404032000 | BEARING SLEEVE 17X22X38,7 03 | 2 |
| 11 | 59004031100 | NEEDLE BEARING HK2212V | 4 |
| 12 | 54603036000 | STOP DISK 22,2X31,7X1 | 2 |
| 14 | 77304070000 | CHAIN GUIDE REAR CPL. 07 | 1 |
| 15 | 59009062019 | SPECIAL SCREW M6X19 WS=8 10.9 | 1 |
| 16 | 0025060506 | HH COLLAR SCREW M6X50 TX30 | 1 |
| 17 | 77304070030 | INSERTION NUT F. CHAIN GUIDE | 1 |
| 18 | 50304090044 | PIVOT BEARING+BUSHES PDS '99 | 1 |
| 19 | 50329000044 | TOOL BEARING MOUNTING PDS | 1 |
| 20 | 78004060000 | CHAIN GUARD 08 | 1 |
| 21 | 56509064100 | SELF LOCKING NUT M6 10.9 | 1 |
| 24 | 55009086000 | PLUG SFL13 | 2 |
| 25 | 77304037000 | SWINGARM BOLT M16X1,5 07 | 1 |
| 26 | 54804038000 | SELF LOCK.NUT M16X1,5 WS=19 03 | 1 |
| 27 | 58404041100 | CLOSING COVER ROUND 03 | 4 |
| 28 | 77304066010 | CHAIN GUARD CPL. 06 | 1 |
| 29 | 54603055051 | PRESS IN NUT M6 STEEL ZINC | 1 |
| 99 | 59404230110 | SWINGARM-REPAIR KIT 05-07 | 1 |

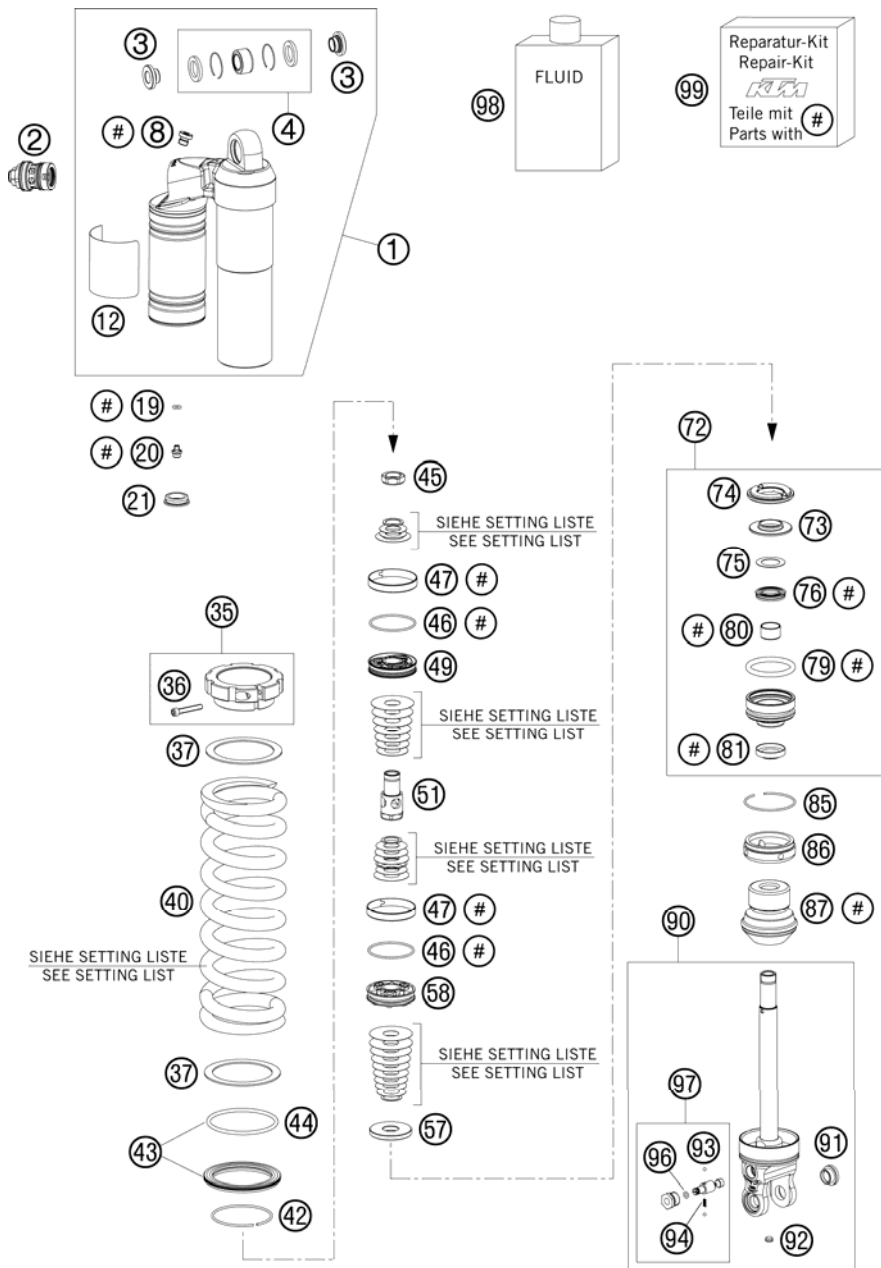
087800490 / C087800490

* NEW PART

X AS REQUIRED

SHOCK ABSORBER DISASSEMBLED

530 EXC SIX DAYS EU 2009



| FIG | PART NUMBER | DESCRIPTION | QTY |
|-----|-------------|--------------------------------|-----|
| 1* | 50180733S4 | TOP PART CPL. M57,5X1 H30,5 09 | 1 |
| 2 | 50180213S10 | DCC-COMPR.DAMP.CONTROL CPL. 07 | 1 |
| 3 | 46180007 | ADAPTOR BUSH KGW 12X24 | 2 |
| 4 | R12012 | REP. KIT BEAR./SEAL UP. 07 | 1 |
| 8 | 50180095 | BLEED PLUG R 1/8 | 1 |
| 12 | 52000041 | WP CAUTION (PDS KTM) 58X83 | 1 |
| 19 | 46810893 | O-RING NBR 5,28X1,78 | 1 |
| 20 | 36120151 | SCREW PLUG M5X6 | 1 |
| 21 | 46811208 | RUBBER CAP "DO NOT OPEN" | 1 |
| 35 | 50180520S | SPRING RETAINER M57,5X1 +SCREW | 1 |
| 36 | 50180327 | AH SCREW M5X30 DIN912 | 1 |
| 37 | 50180114 | INTERM.RING SCREW SPRING RET. | 2 |
| 40 | 91210053S | SPRING 250 63N/MM ORANGE | x |
| 40 | 91210054S | SPRING 250 66N/MM ORANGE | x |
| 40 | 91210068S | SPRING 250 69N/MM ORANGE | x |
| 40 | 91210069S | SPRING 250 72N/MM ORANGE | x |
| 40 | 91210070S | SPRING 250 76N/MM | x |
| 42 | 50180273 | CIRCLIP 58,2X2 | 1 |
| 43 | 50180463S | SPRING RET. D=80 W. O-RING 05 | 1 |
| 44 | 50180352 | O-RING VITON 66,27X3,53 | 1 |
| 45* | 50180627 | PISTON ROD NUT M20X1 | 1 |
| 46 | 50180099 | O-RING VITON 44,17X1,78 | 2 |
| 47 | 50180135 | PISTON RING 50-8 | 2 |
| 49* | 50180675 | PISTON D=20 | 1 |
| 51* | 50180764 | TAP D20 M20X1 L45,3 09 | 1 |
| 57* | 50180631 | REBOUND DISC D43 H0 T4 | 1 |
| 58 | 50180197 | PISTON 6+6X7/4,5 | 1 |
| 72 | 50180603S | ADAPTOR CPL. D=50 H=28 08 | 1 |
| 73 | 50180113 | STEEL DISC 18X,5X43,7X6 | 1 |
| 74 | 50180107 | REBOUND RUBBER | 1 |
| 75 | 50180604 | SHIM D29,75 X D19 X T0,4 08 | 1 |
| 76 | 50180605S | SEAL D18X30X5 08 | 1 |
| 79 | 50180103 | O-RING 41X5 | 1 |
| 80 | 46180119 | DU-BUSH 18X20X12 | 1 |
| 81 | 50180606 | DUST SEAL 1828 08 | 1 |
| 85 | 50180126 | CIRCLIP 53X1,75 | 1 |

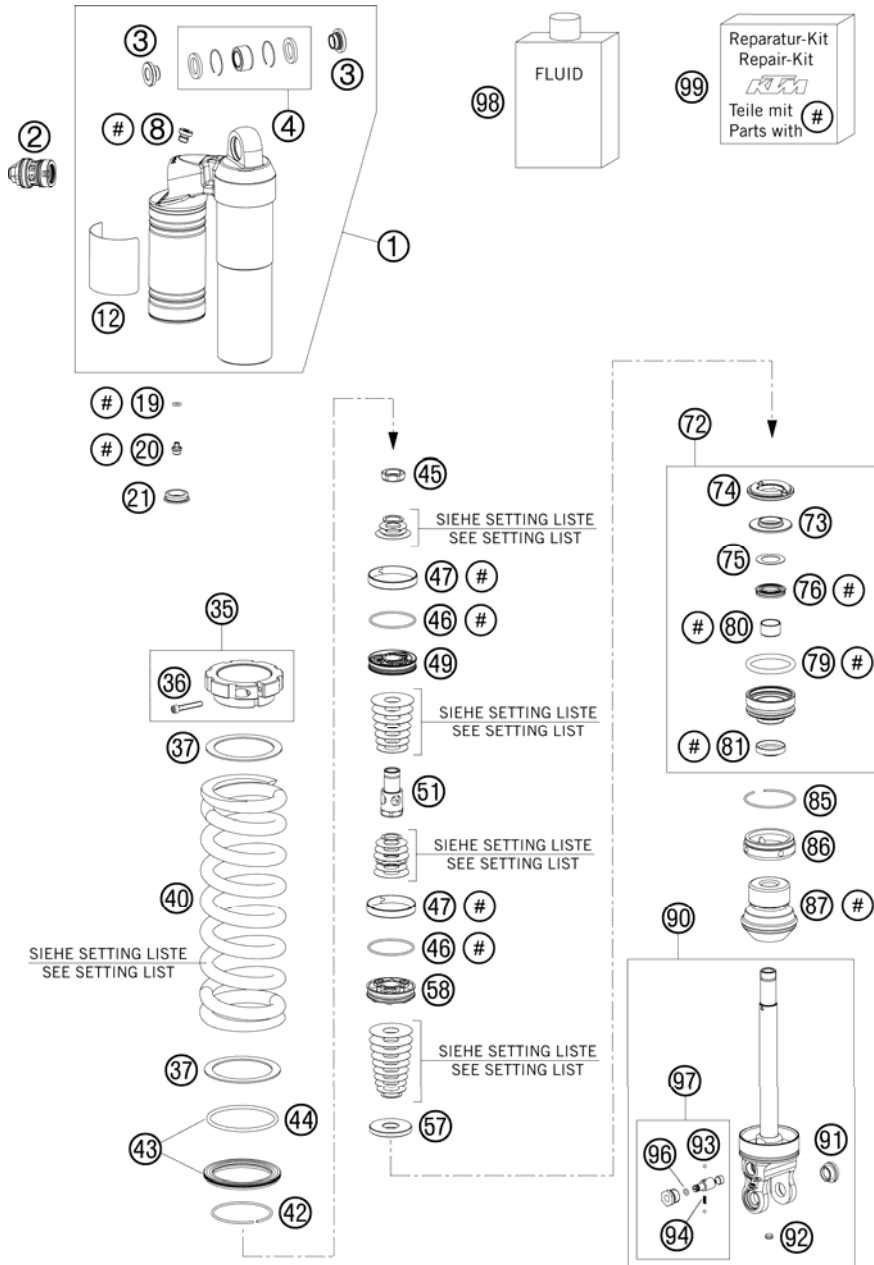
095030430 / C095030430

* NEW PART

X AS REQUIRED

SHOCK ABSORBER DISASSEMBLED

530 EXC SIX DAYS EU 2009



| FIG | PART NUMBER | DESCRIPTION | QTY |
|-----|-------------|--------------------------------|-----|
| 86* | 50180626 | RESERVOIR CAP D=50 H=10 09 | 1 |
| 87 | 50180600 | BUMP RUBBER D58 D17 H59 2008 | 1 |
| 90* | 50180512S3 | SHOCK ABS. LOWER PART CPL. 09 | 1 |
| 91 | 50180105 | THREADED BUSH M12 PDS | 1 |
| 92 | 50180297 | RUBBER PLUG D=8 | 1 |
| 93 | 40540603 | STEEL BALL D=3MM | 2 |
| 94 | 48600028 | SPRING D=2,9 L=7,9 | 1 |
| 96 | 50180222 | O-RING NBR 4X1,5 | 1 |
| 97 | 50180434S | ADJUSTING SCREW REBOUND TRAVEL | 1 |
| 98 | 50180342S1 | SHOCK ABSORBER FLUID 5 LT '03 | 1 |
| 99 | R12014 | REPAIR KIT 5018 PDS 06 | 1 |

095030430 / C095030430

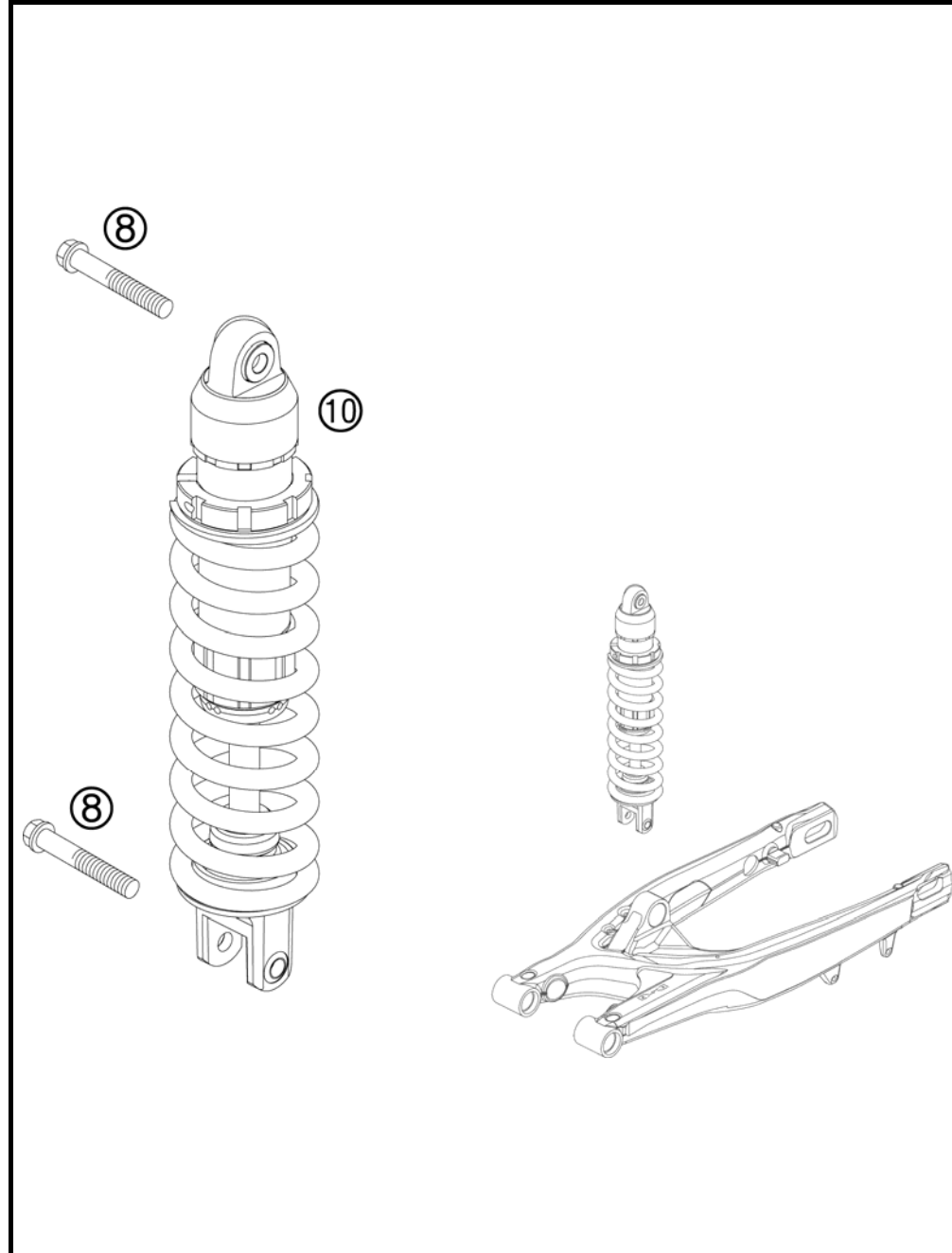
* NEW PART

X AS REQUIRED



SHOCK ABSORBER

530 EXC SIX DAYS EU 2009

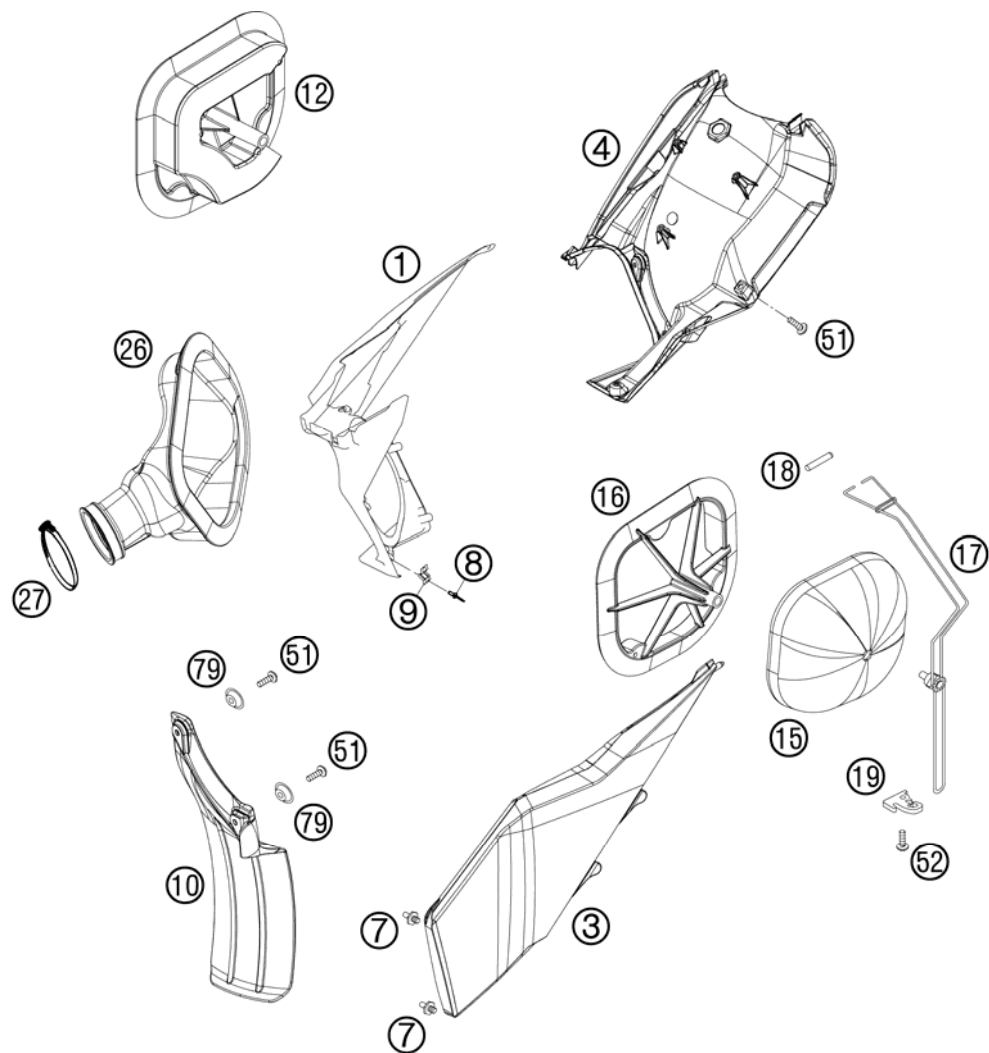


| FIG | PART NUMBER | DESCRIPTION | QTY |
|-----|-------------|--------------------------------|-----|
| 8 | 0025120506S | HH COLLAR SCREW M12X50 TX45 | 2 |
| 10* | 12187E06 | MONOSH.PDS B07MA450/530EXC-F09 | 1 |

085030410 / C097800411

* NEW PART

X AS REQUIRED



| FIG | PART NUMBER | DESCRIPTION | QTY |
|-----|---------------|--------------------------------|-----|
| 1 | 7730600101030 | FILTER WALL SX BLACK 07 | 1 |
| 3 | 7730600300030 | FILTER BOX COVER SX BLACK 07 | 1 |
| 4 | 77306001020 | REAR PART FILTER BOX 07 | 1 |
| 7 | 54806008051 | QUICK RELEASE-NIPPLE 03 | 2 |
| 8 | 54806108052 | BLIND RIVET 3,3X9,7 GROOVED 04 | 4 |
| 9 | 54806008050 | QUICK RELEASE-SPRING HANGER | 2 |
| 10 | 77306010000 | FENDER FOR FILTER BOX | 1 |
| 12 | 78006012000 | THROTTLE CAP CPL. EXC 08 | 1 |
| 15 | 77306015000 | AIR FILTER 07 | 1 |
| 16 | 77306016000 | FILTER CARRIER 4S SX 07 | 1 |
| 17 | 77306017000 | FILTER SUPPORT CPL. 07 | 1 |
| 18 | 77306018000 | FILTER SUPPORT BUSH 07 | 1 |
| 19 | 77306019000 | FASTEN. DEVICE FILTER S. SX 07 | 1 |
| 26 | 78006026000 | CARBURETOR CONNECTING 08 | 1 |
| 27 | 78006027000 | HOSE CLAMP 45-65MM | 1 |
| 51 | 0017060204 | EJOT PT SCREW K60X20 ALU WS=6 | x |
| 52 | 0017060203 | EJOT PT SCREW K60X20 WS=6 | 1 |
| 79 | 77304066050 | BUSHING F. CHAIN SLIDING PR.07 | 2 |

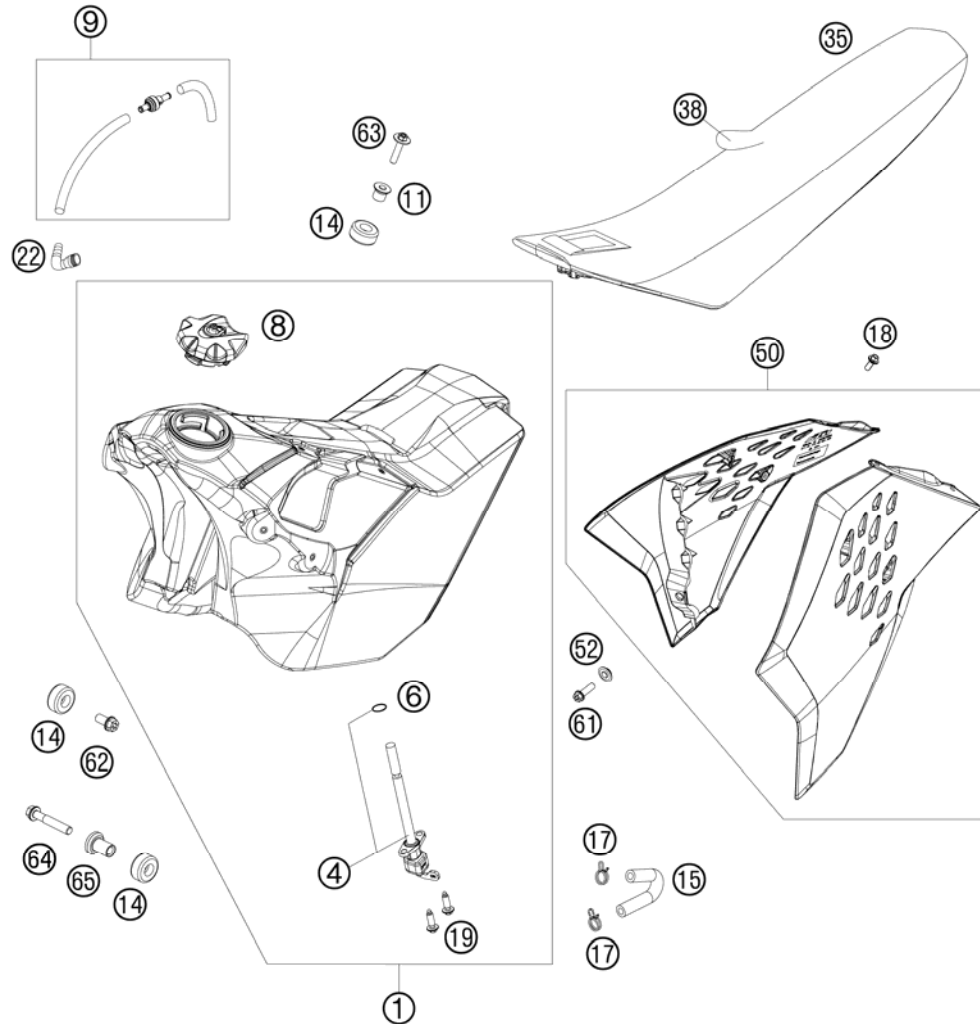
087800611 / C087800612

* NEW PART

X AS REQUIRED

TANK, SEAT, COVER

530 EXC SIX DAYS EU 2009



| FIG | PART NUMBER | DESCRIPTION | QTY |
|-----|----------------|---------------------------------------|-----|
| 1* | 7800701306699 | FUEL TANK CPL. 9,5L EXC SD 09 | 1 |
| 4 | 78007004000 | GAS COCK ON/OFF/RES 08 | 1 |
| 6 | 0770110021 | O-RING 11X2 VITON | 1 |
| 8 | 7800700804404 | TANK PLUG ORANGE/BLACK | 1 |
| 9* | 78007029000 | TANK BREATHER HOSE + VALVE | 1 |
| 11 | 77307026000 | TANK BUSHING 07 | 1 |
| 14 | 50307014000 | TANK ROLLER 12X26X12 '98 | 3 |
| 15 | 59007016000 | FUEL HOSE 7,5X13MM | 1 |
| 17 | 58031005000 | CLAMP YDNAC 10128 12MM | 2 |
| 18 | 0017060204 | EJOT PT SCREW K60X20 ALU WS=6 | 8 |
| 19 | 0017060203 | EJOT PT SCREW K60X20 WS=6 | 2 |
| 22 | 51030022000 | ANGLE PIECE 90 DEGREE M10X1 | 1 |
| 35* | 78007040000 | SEAT SIX-DAYS 08 | 1 |
| 38* | 78007040050 | SEAT COVER SIX-DAYS 08 | 1 |
| 50* | 7730805410030G | SPOILER KIT BLACK SD 09 WITH DECAL | 1 |
| 52 | 50308052000 | BUSH FOR SPOILER 6X11X16X5 MM | 2 |
| 61 | 0025060206 | HH COLLAR SCREW M6X20 TX30 | 2 |
| 62 | 0025060126 | HH COLLAR SCREW M6X12 TX30 | 1 |
| 63 | 0024060273 | COLLAR SCREW M6X27 TX | 1 |
| 64* | 0025060356 | HH COLLAR SCREW M6X35 TX30 | 1 |
| 65* | 78003001055 | SUPPORT BUSH. TANK ROLL450/530 | 1 |

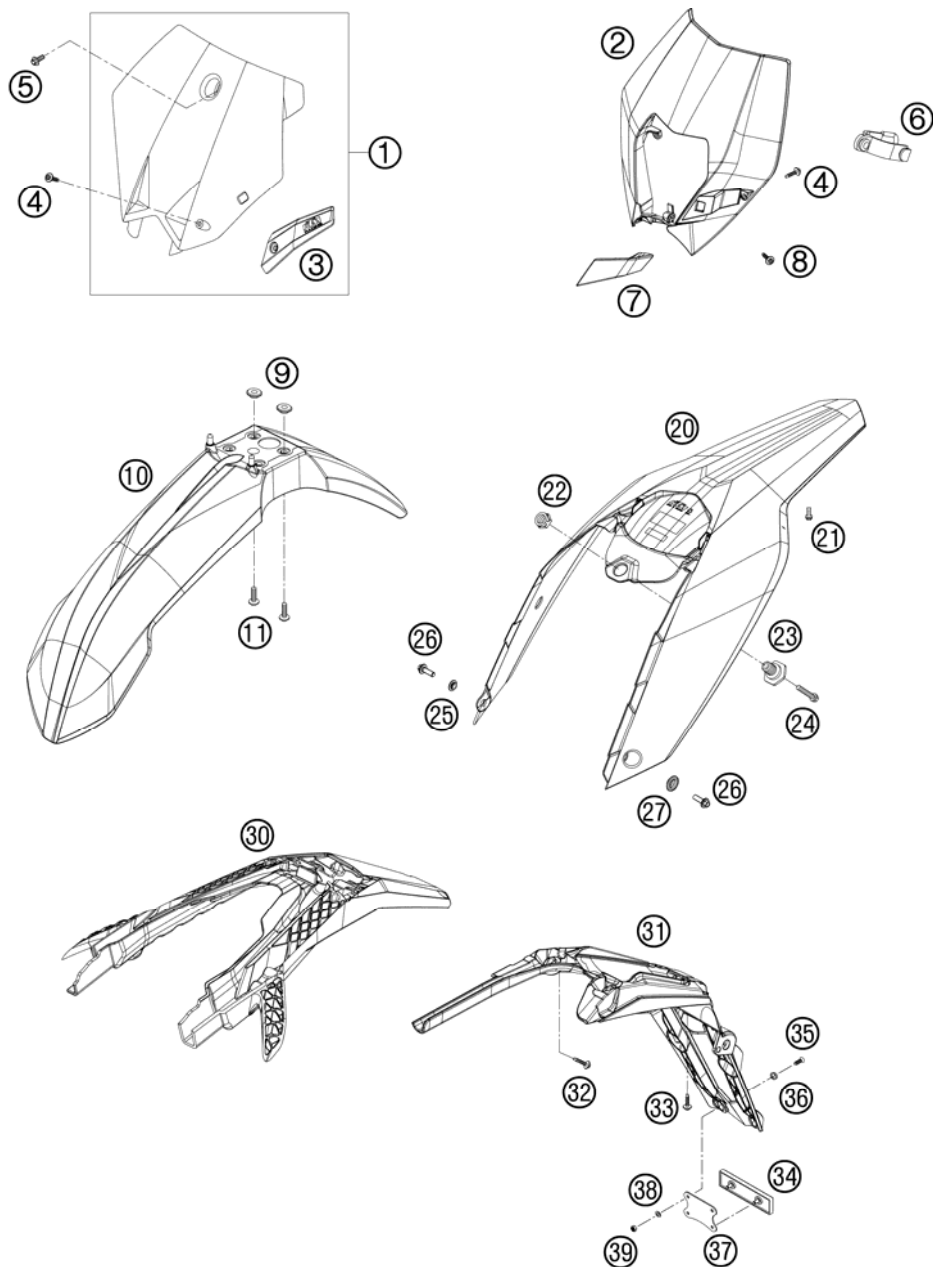
097860710 / C097860711

* NEW PART

X AS REQUIRED

MASK, FENDERS

530 EXC SIX DAYS EU 2009

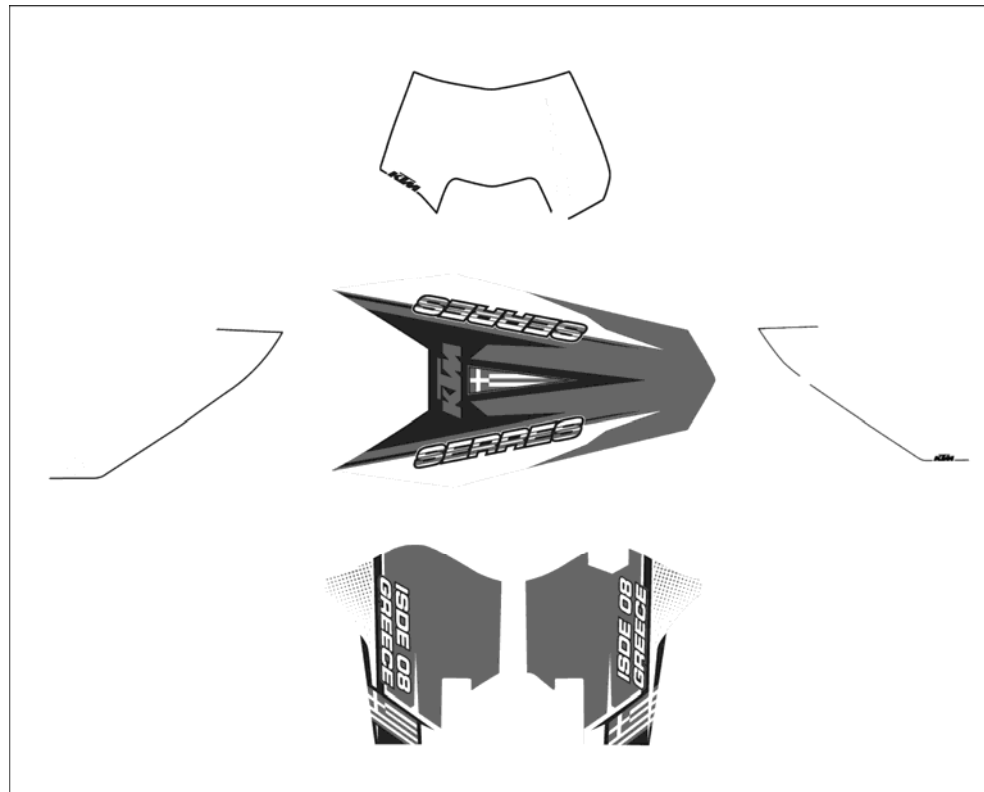


| FIG | PART NUMBER | DESCRIPTION | QTY |
|-----|---------------|--------------------------------|-----|
| 1 | 7730800704404 | NUMBER PLATE CPL. ORANGE 07 | 1 |
| 2 | 7800800100004 | HEAD LIGHT MASK ORANGE 08 | 1 |
| 3 | 7730802200004 | BRAKE HOSE GUIDE ORANGE 07 | 1 |
| 4 | 0017060204 | EJOT PT SCREW K60X20 ALU WS=6 | 2 |
| 5 | 0024060106 | HH COLLAR SCREW M6X10 TX30 | 1 |
| 6 | 50211086000 | MASK RUBBER UFO WP '95 | 2 |
| 7 | 7800802200004 | BRAKE HOSE GUIDE ORANGE 08 | 1 |
| 8 | 0081500181 | SCREW FOR PLASTIC D=5X18 | 3 |
| 9 | 54808020000 | SPACER BUSHING 03 | 4 |
| 10 | 7730801000004 | FRONT FENDER 07 | 1 |
| 11 | 0024060206 | HH COLLAR SCREW M6X20 TX30 | 4 |
| 20 | 7800801300004 | REAR PART EXC ORANGE 08 | 1 |
| 21 | 0025050206 | HH COLLAR SCREW M5X20 TX30 | 2 |
| 22 | 50314057050 | COLLAR NUT M12X1/WS17 H=5MM | 1 |
| 23 | 54807048000 | BUSHING FOR SEAT FASTENING 03 | 1 |
| 24 | 0025060256 | HH COLLAR SCREW M6X25 TX30 | 1 |
| 25 | 50308052000 | BUSH FOR SPOILER 6X11X16X5 MM | 1 |
| 26 | 0025060206 | HH COLLAR SCREW M6X20 TX30 | 2 |
| 27 | 77306001030 | COLLAR BUSHING 4,5/12,6/23 | 1 |
| 30 | 78008016000 | NUMBER PL. CARRIER TOP PART 08 | 1 |
| 31 | 78008016050 | NUMBER PL. CARRIER LOW PART 08 | 1 |
| 32 | 0017060303 | SPECIAL SCREW T60 6X30 WS=6 | 2 |
| 33 | 0017060203 | EJOT PT SCREW K60X20 WS=6 | 2 |
| 34 | 58412080000 | REFLECTOR RED LC4 '98 | 1 |
| 35 | 0966050163 | OVAL HEAD SCREW DIN0966-M 5X16 | 2 |
| 36 | 40006006000 | WASHER 6MM | 2 |
| 37 | 58412080050 | BRACKET FOR REFLECTOR | 1 |
| 38 | 0125050003 | WASHER DIN0125-A 5,3 | 2 |
| 39 | 0985050003 | SELF LOCKING NUT DIN0985-M 5 | 2 |

095030810 / C095030811

* NEW PART

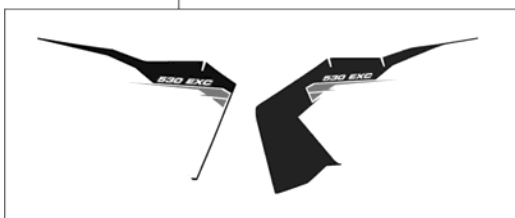
X AS REQUIRED



②

①

③



| FIG | PART NUMBER | DESCRIPTION | QTY |
|-----|-------------|--------------------------------|-----|
| 1* | 78008199300 | DECAL KIT KPL. SD GREECE 09 | 1 |
| 2* | 78008191500 | DISPLACEMENT STICKER 530EXC 09 | 1 |
| 3* | 52000026 | STICKER FR.FORK-SET WP TRANSP. | 1 |

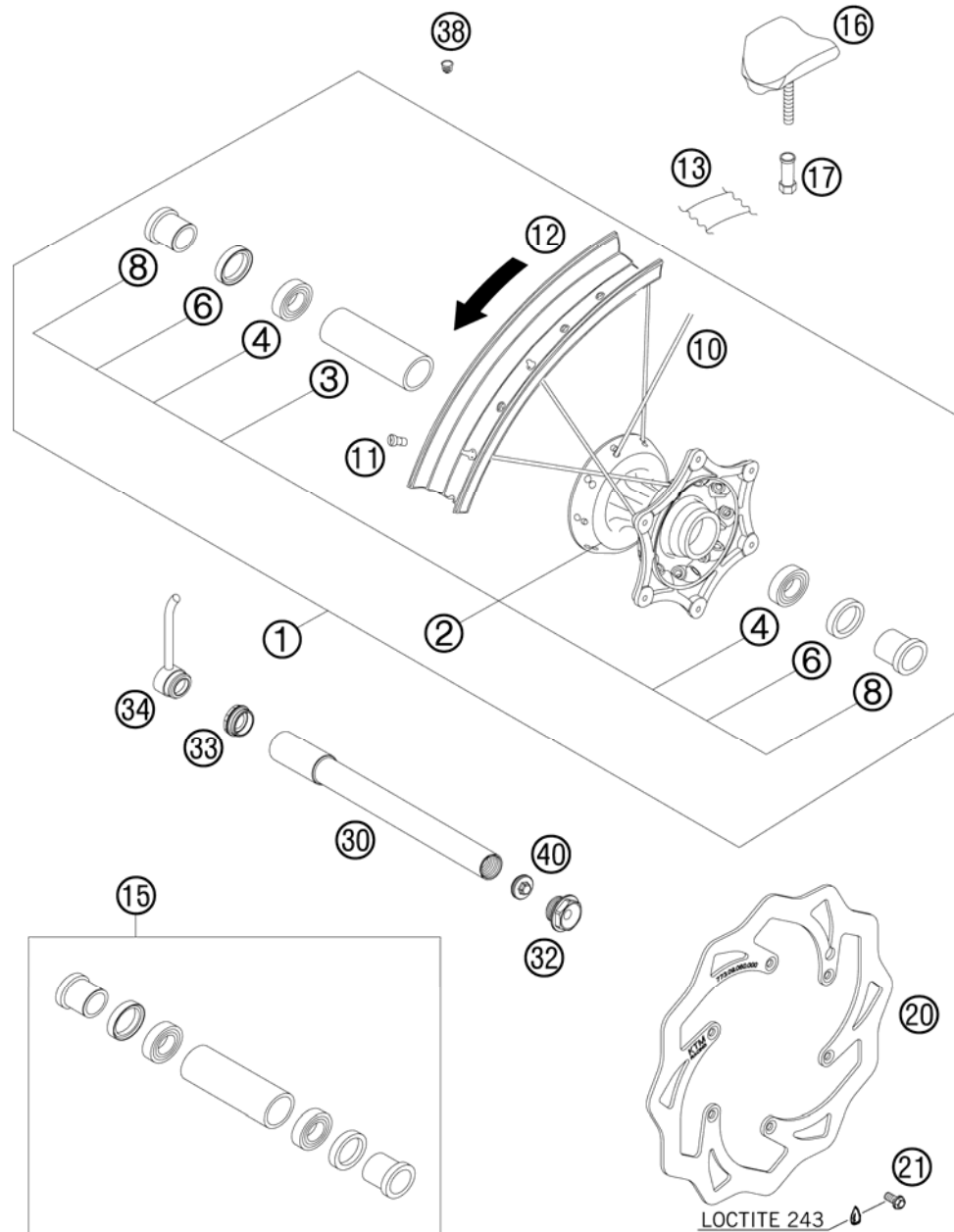
097860832 / C097860832

* NEW PART

X AS REQUIRED

FRONT WHEEL

530 EXC SIX DAYS EU 2009



| FIG | PART NUMBER | DESCRIPTION | QTY |
|-----|---------------|--------------------------------|-----|
| 1* | 7800900114430 | FRONT WHEEL CPL.1,6X21"EXC. 09 | 1 |
| 2 | 78009010044 | FRONT WHEEL HUB CPL. 08 | 1 |
| 3 | 54809011000 | BEA.SPACERTUBE 35X2 L=79,4 03 | 1 |
| 4 | 0625069068 | GR.BALL BEAR.6906 DDU2CG23S6NM | 2 |
| 6 | 0760354771 | SHAFT SEAL RING 35X47X7 TC | 2 |
| 8 | 78009012000 | SPACER BUSHING F. FR. WHEEL 08 | 2 |
| 10 | 78009174226 | SPOKE M4,5x226-21" 08 | 36 |
| 11 | 50309072100 | SPOKE NIPPLE M4,5X0,75 8X21 | 36 |
| 12* | 7800907000030 | RIM FRONT 1,6X21" EXCEL AL7 | 1 |
| 13 | 50309073000 | RIM BAND 21" | 1 |
| 15 | 78009015000 | FRONT WHEEL REP. KIT | x |
| 16 | 51009100100 | RIM LOCK VM1 (1,60") | 1 |
| 17 | 50310090050 | NUT FOR WHEEL HOLDER '96 | 1 |
| 20 | 77309060000 | BRAKE DISC FRONT 260 | 1 |
| 21 | 59009062013 | SPECIAL SCREW M6X13 WS=8 10.9 | 6 |
| 30 | 77309081000 | WHEEL SPIN.FR. D=26 M24x1,5 07 | 1 |
| 32 | 54809082000 | SPINDLE SCREW M24X1,5 WS=27 03 | 1 |
| 33 | 54809081050 | PLUG BUSHING WS=27 03 | 1 |
| 34 | 54809081060 | WHEEL SPINDLE-INSET 26MM 04 | 1 |
| 38 | 55003135000 | PLUG FOR RIM | x |
| 40 | 54809081070 | AUXILIARY SCREW FRONT 06 | 1 |

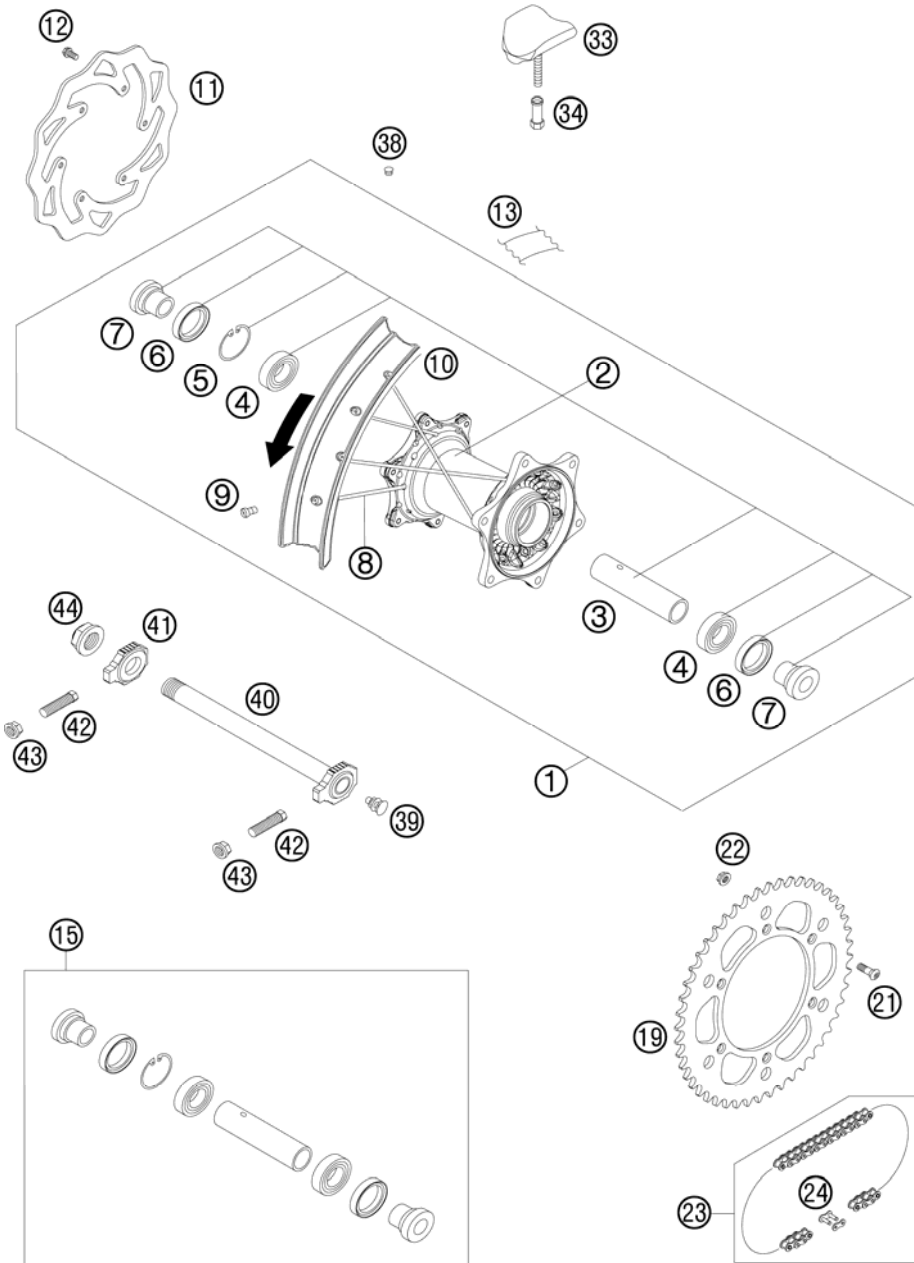
085030911 / C095510910

* NEW PART

X AS REQUIRED

REAR WHEEL

530 EXC SIX DAYS EU 2009



| FIG | PART NUMBER | DESCRIPTION | QTY |
|-----|---------------|--------------------------------|-----|
| 1* | 7801000114430 | REAR WHEEL CPL. 2,15X18"EXC.09 | 1 |
| 2 | 78010010044 | REAR HUB CPL. 08 | 1 |
| 3 | 59010011000 | BUSHING SPACER TUBE 121,5MM 01 | 1 |
| 4 | 0625060058 | GR.BALL BEAR.6005 DDU2CG23S6NM | 2 |
| 5 | 0472047175 | CIRCLIP DIN0472-47X1,75 | 1 |
| 6 | 0760324771 | SHAFT SEAL RING 32X47X7 BSL | 2 |
| 7 | 78010016000 | BUSHING FOR HUB 08 | 2 |
| 8 | 78010174193 | SPOKE M5X193- 18" | 36 |
| 9 | 58309072100 | SPOKE NIPPLE M5-TA 8X21MM | 36 |
| 10* | 7801007000030 | RIM 2,15X18" EXCEL AL7 BLACK | 1 |
| 11 | 77310060000 | BRAKE DISC REAR 220 | 1 |
| 12 | 59009062013 | SPECIAL SCREW M6X13 WS=8 10.9 | 6 |
| 13 | 50310073200 | RIM BAND 18" AND 19" | 1 |
| 15* | 78010015000 | REAR WHEEL REP. KIT | x |
| 19 | 5841005103804 | SPROCKET STEALTH 38-T | x |
| 19 | 5841005104004 | SPROCKET STEALTH 40-T | x |
| 19 | 5841005104204 | SPROCKET STEALTH 42-T | x |
| 19 | 5841005104404 | SPROCKET STEALTH 44-T | x |
| 19 | 5841005104804 | SPROCKET STEALTH 48-T | x |
| 19 | 5841005104904 | SPROCKET STEALTH 49-T | x |
| 19 | 5841005105004 | SPROCKET STEALTH 50-T | x |
| 19 | 5841005105104 | SPROCKET STEALTH 51-T | x |
| 19 | 5841005105204 | SPROCKET STEALTH 52-T | x |
| 21* | 0019080266S | COUNTER-SUNK SCREW ISA45 M8X26 | 6 |
| 22 | 54310086200 | SELF LOCKING NUT M8 10.9 | 6 |
| 23* | 50310600118 | CHAIN 520MX 118R | 1 |
| 23* | 78010065118 | CHAIN X -RING 118 R. ZRA 09 | x |
| 24* | 50310466000 | CONNECTING LINK F. 50310466000 | 1 |
| 24* | 78010066000 | CONNECTING LINK F. 78010065118 | x |
| 33 | 54010100100 | RIM LOCK VM3 (2.15") | 2 |
| 34 | 50310090050 | NUT FOR WHEEL HOLDER '96 | 2 |
| 38 | 55003135000 | PLUG FOR RIM | x |
| 39 | 50210086000 | COVERING CAP SFL16 | 1 |
| 40 | 77310085044 | WHEEL SPINDLE RE. CPL.265MM 07 | 1 |
| 41 | 50310084000 | CHAIN TENSIONER R/S 2000 | 1 |
| 42 | 50304040100 | SCREW M10X1,25X50 WS=10 | 2 |

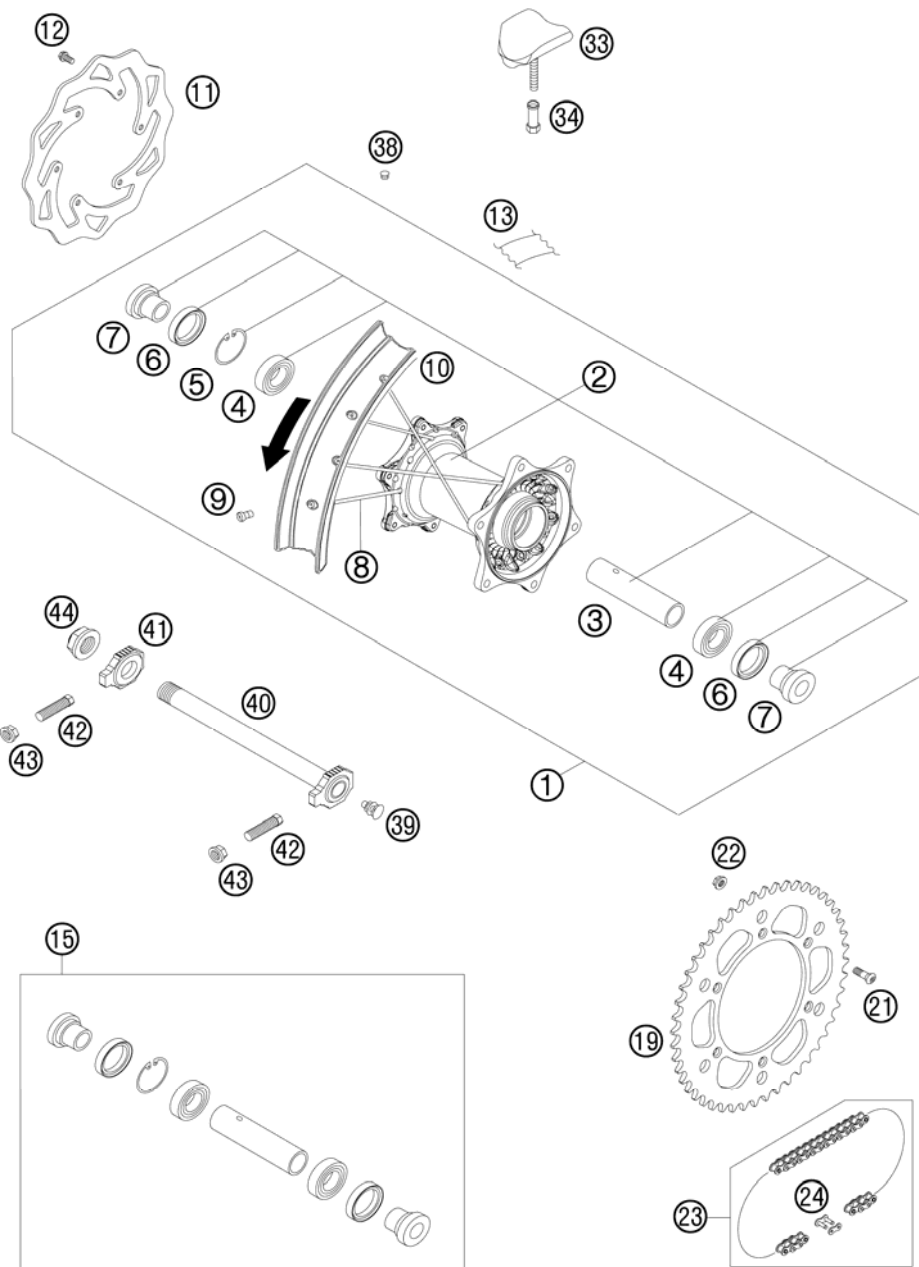
085481010 / C095511010

* NEW PART

X AS REQUIRED

REAR WHEEL

530 EXC SIX DAYS EU 2009



| FIG | PART NUMBER | DESCRIPTION | QTY |
|-----|-------------|------------------------------|-----|
| 43 | 58414030000 | HH COLLAR NUT M10X1,25 WS=13 | 2 |
| 44 | 50310099000 | HEXAGON NUT M20X1,5 '98 | 1 |

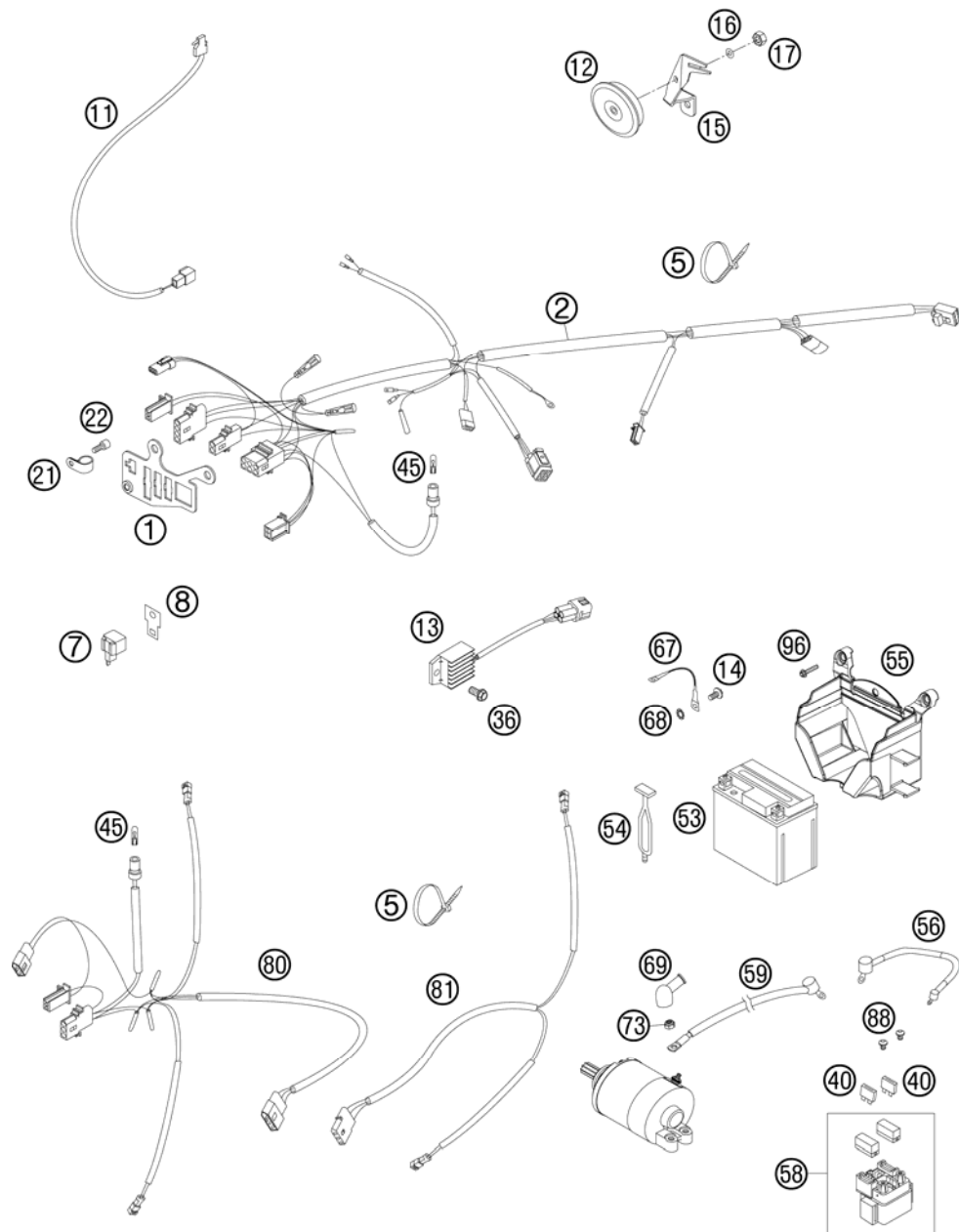
085481010 / C095511010

* NEW PART

X AS REQUIRED

WIRING HARNESS

530 EXC SIX DAYS EU 2009



| FIG | PART NUMBER | DESCRIPTION | QTY |
|-----|-------------|--------------------------------|-----|
| 1 | 54811083100 | SUPPORT BRACKET EXC 2005 | 1 |
| 2 | 59411075150 | WIRING HARNESS 250-525EXC EU06 | 1 |
| 5 | 44011076100 | CABLE TIE 100/2,5MM BLACK | x |
| 5 | 44011076200 | CABLE TIE 200/3,6MM BLACK | x |
| 5 | 44011076305 | CABLE TIE 300/4,8MM BLACK | x |
| 7 | 44611207200 | FLASHER UNIT 97 | 1 |
| 8 | 58211031100 | BRACKET FOR FLASHER RELAISE | 1 |
| 11 | 50311050100 | BRAKE LIGHT SWITCH FRONT 2002 | 1 |
| 12 | 50311060200 | DC HORN 12V 07 | 1 |
| 13 | 80011034000 | VOLTAGE REGULATOR 04 | 1 |
| 14 | 0009050103 | SPECIAL SCREW M 5,0X10 | 1 |
| 15 | 78011061000 | HORN BRACKET EXC 08 | 1 |
| 16 | 0125050003 | WASHER DIN0125-A 5,3 | 1 |
| 17 | 0934050003 | HEXAGON NUT DIN0934-M 5 | 1 |
| 21 | 57013070000 | PVC-CLAMP 7/16" HEYCO 3377 | 1 |
| 22 | 09120500083 | AH SCREW DIN 912 M 5X8 | 1 |
| 36 | 0025060126 | HH COLLAR SCREW M6X12 TX30 | 1 |
| 40 | 58011109110 | FUSE 10 A 2000 | 2 |
| 45 | 49111425000 | BULB 12V 1,2W (W2X4,6D) | 2 |
| 53 | 58511053000 | BATTERY 12V 4AH YTX5L-BS | 1 |
| 54 | 50303018000 | RUBBER L=145MM | 2 |
| 55 | 78011055000 | BARRERY CASING | 1 |
| 56 | 58711086000 | WIRING HARNESS BATTERY DUKE'99 | 1 |
| 58 | 58211058000 | STARTER RELAY 12V '99 | 1 |
| 59 | 58411059100 | STARTERCABLE 700 MM '97 | 1 |
| 67 | 58411097100 | GROUND CABLE D=6MM L=140MM '97 | 1 |
| 68 | 58411098100 | CONTACT WASHER M6 VSV-K6 | 1 |
| 69 | 58440099000 | PROTECTION CAP F. STARTER ENG. | 1 |
| 73 | 0985060003 | SELF LOCK. NUT DIN0985-M 6 | 1 |
| 80 | 59011080100 | FLASH. WIRINGHARNES FRONT 06 | 1 |
| 81 | 59011081100 | FLASH. WIRINGHARNES REAR 06 | 1 |
| 88 | 09020600083 | AH OVAL SCREW ISO 7380 M 6X8 | 2 |
| 96 | 0017060203 | EJOT PT SCREW K60X20 WS=6 | 3 |

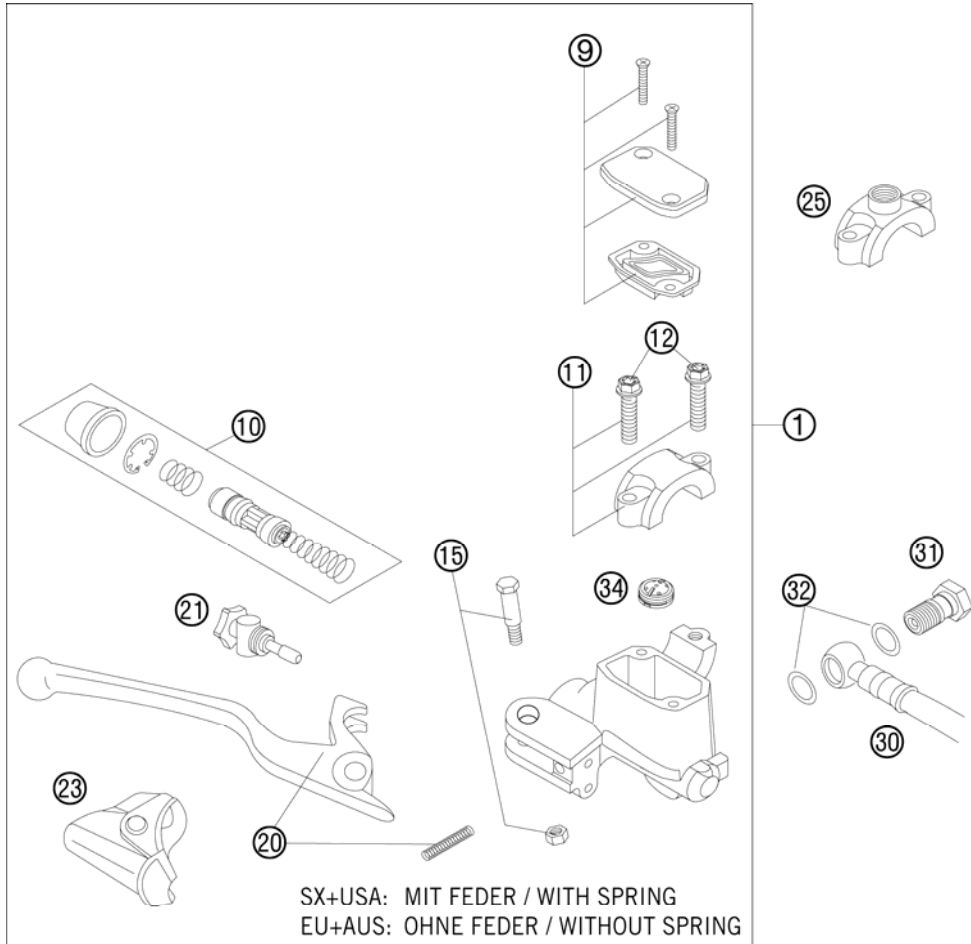
087801112 / C087801112

* NEW PART

X AS REQUIRED

HAND BRAKE CYLINDER

530 EXC SIX DAYS EU 2009



| FIG | PART NUMBER | DESCRIPTION | QTY |
|-----|-------------|--------------------------------|-----|
| 1* | 77013001144 | HAND BRAKE CYLINDER CPL.EXC 09 | 1 |
| 9 | 50313003000 | HANDBRAKE CYL.COVER CPL.NATURE | 1 |
| 10* | 54813008300 | REP.SET PISTON D=12MM 2009 | 1 |
| 11 | 50313005000 | CLAMP CPL. NATURE | 1 |
| 12 | 0025060256 | HH COLLAR SCREW M6X25 TX30 | 2 |
| 15 | 50313006100 | LEVER SCREW CPL. 2001 | 1 |
| 20* | 54813002200 | HAND BRAKE LEVER + SPRING 2009 | 1 |
| 21* | 54813007300 | ADJUSTING SCREW CPL. SX 2009 | 1 |
| 23 | 50313004000 | PROTECTION CAP HAND BRAKE CYL. | 1 |
| 25 | 58012040150 | CLAMP FOR MIRROR '94 | 1 |
| 30 | 59013011000 | BRAKEHO. FRONT 1300MM 2000 | 1 |
| 31* | 54813020200 | BANJO SCREW 08 | 1 |
| 32 | 0603100141 | COPPER GASKET DIN7603-10X14X1 | 2 |
| 34 | 54802051000 | VALVE | 1 |
| 80 | 00062030000 | BRAKE FLUID DOT5.1 0,25L | 1 |

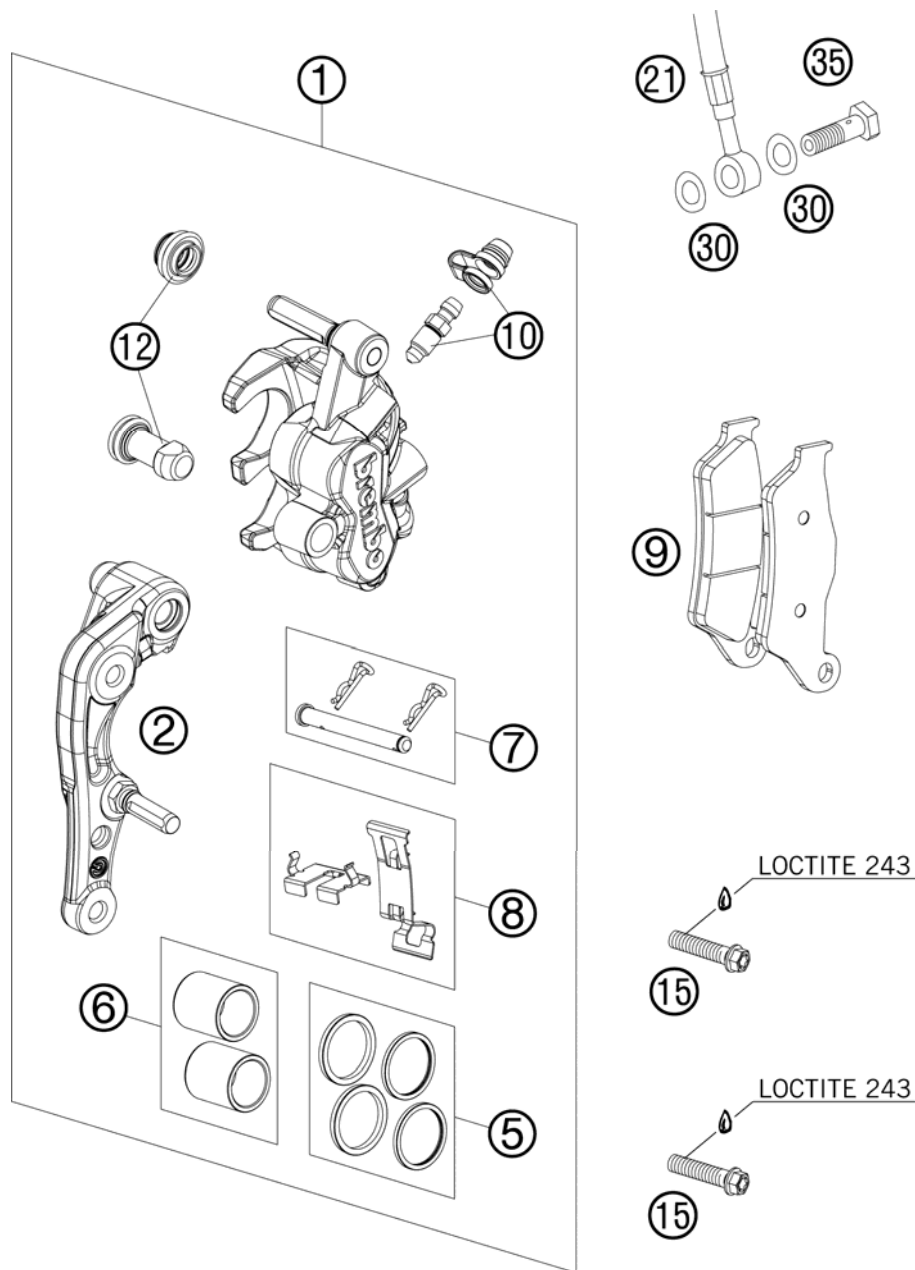
095511310 / C095511310

* NEW PART

X AS REQUIRED

BRAKE CALIPER FRONT

530 EXC SIX DAYS EU 2009



| FIG | PART NUMBER | DESCRIPTION | QTY |
|-----|---------------|--------------------------------|-----|
| 1* | 7701301500101 | CALIPER NAT. WITHOUT PADS | 1 |
| 2* | 77013014000 | BRAKE CALIPER SUPPORT FRONT 09 | 1 |
| 5* | 77013021000 | REP. KIT SEALS 24MM | 1 |
| 6* | 77013019000 | REP. KIT PISTON 24MM | 1 |
| 7* | 77013017000 | BOLT CPL. 09 | 1 |
| 8* | 77013018000 | RETAINING PLATE SET BREMBO | 1 |
| 9 | 50313030200 | BRAKEP.SET FR.TOSHIBA TT2701HH | 1 |
| 10* | 61013020100 | BLEEDER SCREW WITH CAP | 1 |
| 12 | 54613218000 | CUP SET SHORT | 1 |
| 15 | 0025080356S | HH COLLAR SCREW M8X35 TX40 | 2 |
| 21 | 59013011000 | BRAKEHO. FRONT 1300MM 2000 | 1 |
| 30 | 0603100141 | COPPER GASKET DIN7603-10X14X1 | 2 |
| 35 | 50213025000 | HOLLOW SCREW M10X1X19 | 1 |

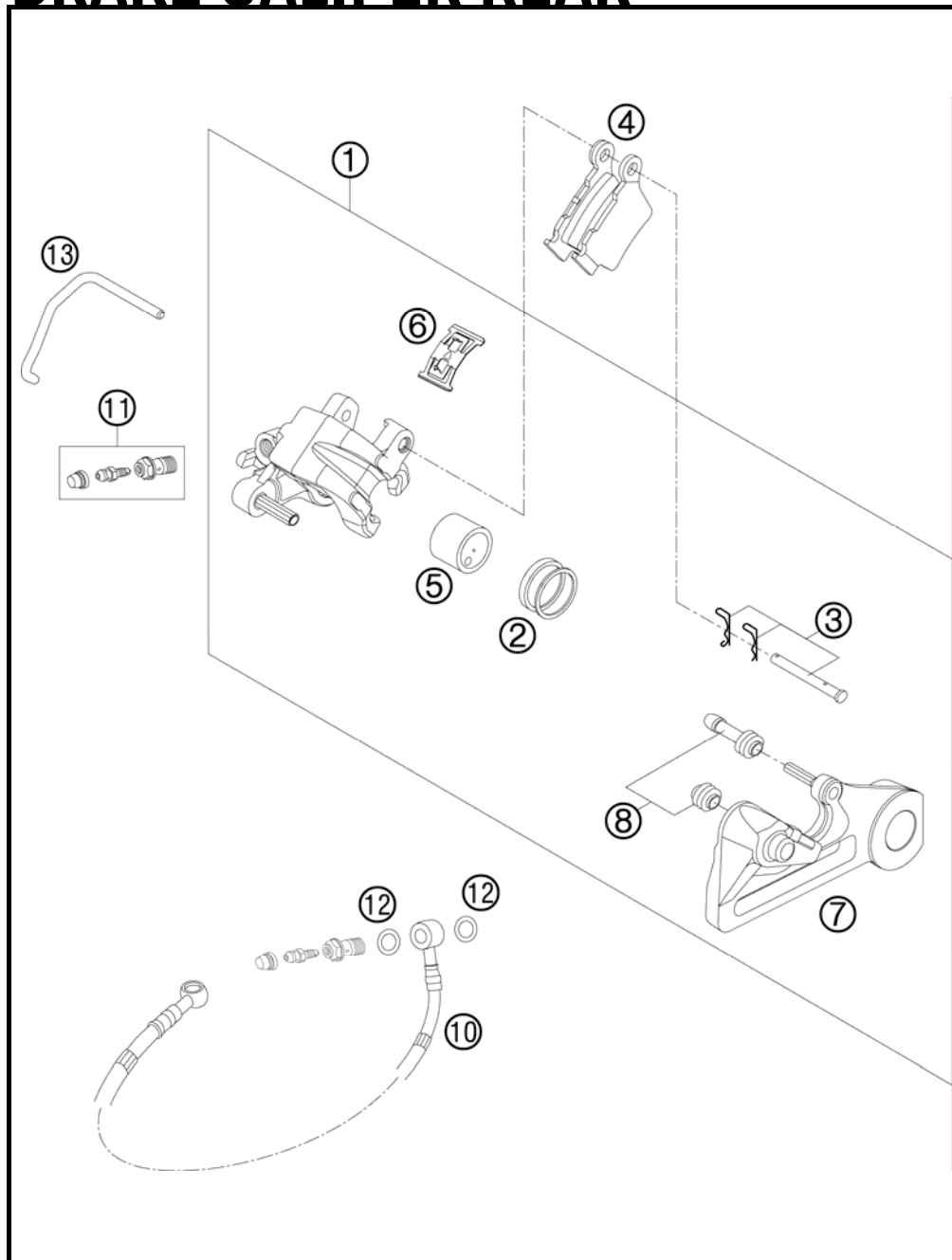
097701361 / C095511360

* NEW PART

X AS REQUIRED

BRAKE CALIPER REAR

530 EXC SIX DAYS EU 2009



| FIG | PART NUMBER | DESCRIPTION | QTY |
|-----|-------------|-------------------------------|-----|
| 1* | 54813080101 | BRAKE CAL. RE. - WITHOUT PADS | 1 |
| 2 | 50313081200 | REPAIR KIT SEALING RINGS 26MM | 1 |
| 3 | 54813082000 | BOLT SET FOR BRAKE CALIPER 03 | 1 |
| 4 | 54813090300 | BRAKE PAD SET REAR TOYO | 1 |
| 5 | 54813083000 | BRAKE PISTON 26MM 2003 | 1 |
| 6 | 54813018000 | RETAINING SPRING SET 2003 | 1 |
| 7 | 54813075000 | BRAKE CALIPER SUPPORT REAR | 1 |
| 8 | 54613218000 | CUP SET SHORT | 1 |
| 10 | 54813070000 | BRAKE HOSE REAR 655MM 03 | 1 |
| 11 | 62513020000 | BLEEDER SCREW CPL. 05 | 1 |
| 12 | 0603100141 | COPPER GASKET DIN7603-10X14X1 | 2 |
| 13 | 50313082200 | BRAKE LINING SUPP. BOLT | 1 |

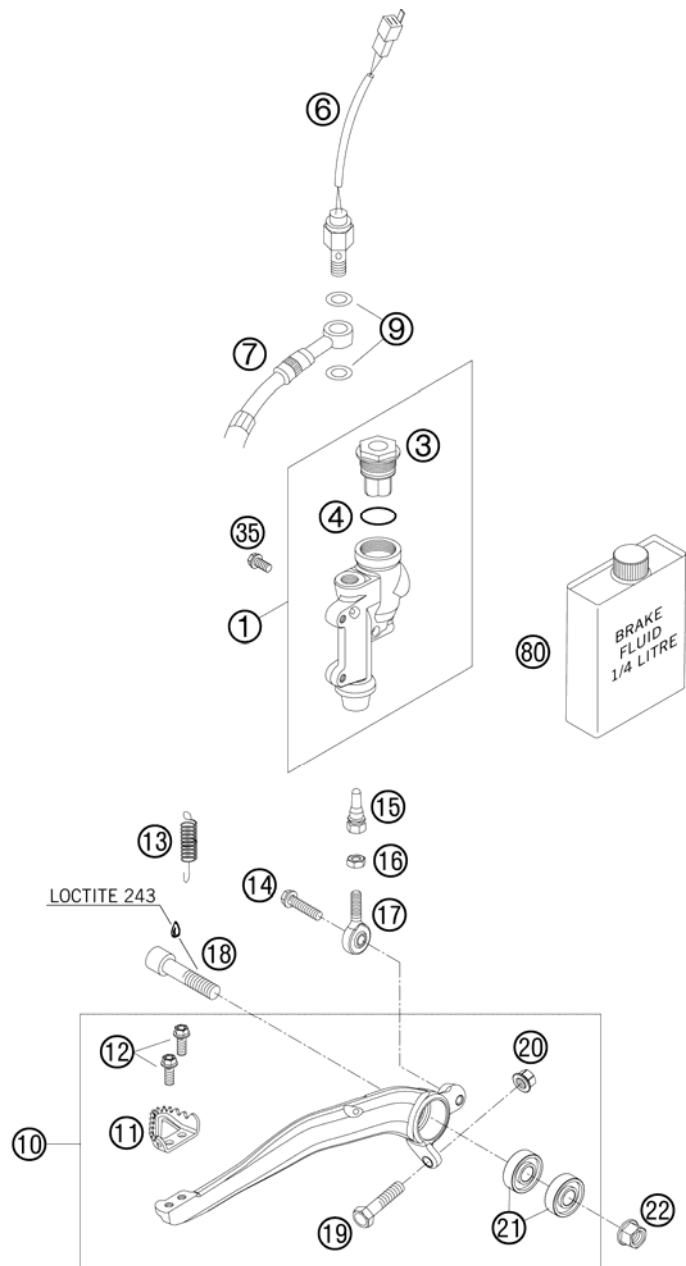
095511390 / C095511390

* NEW PART

X AS REQUIRED

REAR BRAKE CONTROL

530 EXC SIX DAYS EU 2009



| FIG | PART NUMBER | DESCRIPTION | QTY |
|-----|-------------|-------------------------------|-----|
| 1* | 77013060044 | REAR BRAKE CYLINDER CPL.SX 09 | 1 |
| 3 | 54813062100 | REAR BRAKE CYL. COVER CPL. 04 | 1 |
| 4 | 54813063000 | FOOT-BRAKE CYL. GASKET SX 03 | 1 |
| 6* | 50311051100 | BRAKE LIGHT SWITCH REAR '98 | 1 |
| 7 | 54813070000 | BRAKE HOSE REAR 655MM 03 | 1 |
| 9 | 0603100141 | COPPER GASKET DIN7603-10X14X1 | 2 |
| 10 | 78013050044 | FOOT BRAKE LEVER CPL. | 1 |
| 11 | 54813051000 | STEP PLATE FOR BRAKE LEVER | 1 |
| 12 | 0025050126 | HH COLLAR SCREW M5x12 TX30 | 2 |
| 13 | 54603062000 | RETURN SPRING FOR BRAKE LEVER | 1 |
| 14 | 0025060206 | HH COLLAR SCREW M6X20 TX30 | 1 |
| 15 | 54813056000 | PUSH ROD L=28MM 03 | 1 |
| 16 | 0934060003 | HEXAGON NUT DIN0934-M 6 | 1 |
| 17 | 54813055000 | SWIVEL HEAD KA6 03 | 1 |
| 18 | 0912100406 | AH SCREW DIN6912 M10X40 10.9 | 1 |
| 19 | 59001037000 | SPECIAL SCREW M8X26 WS=10 | 1 |
| 20 | 46030045000 | COLLAR NUT M8 WS=10 | 1 |
| 21 | 0625060002 | BALL BEARING SKF 6000-2RS1 | 2 |
| 22 | 54630044000 | COLLAR NUT M10 WS=13 | 1 |
| 35 | 0025060126 | HH COLLAR SCREW M6X12 TX30 | 2 |
| 80 | 00062030000 | BRAKE FLUID DOT5.1 0,25L | 1 |

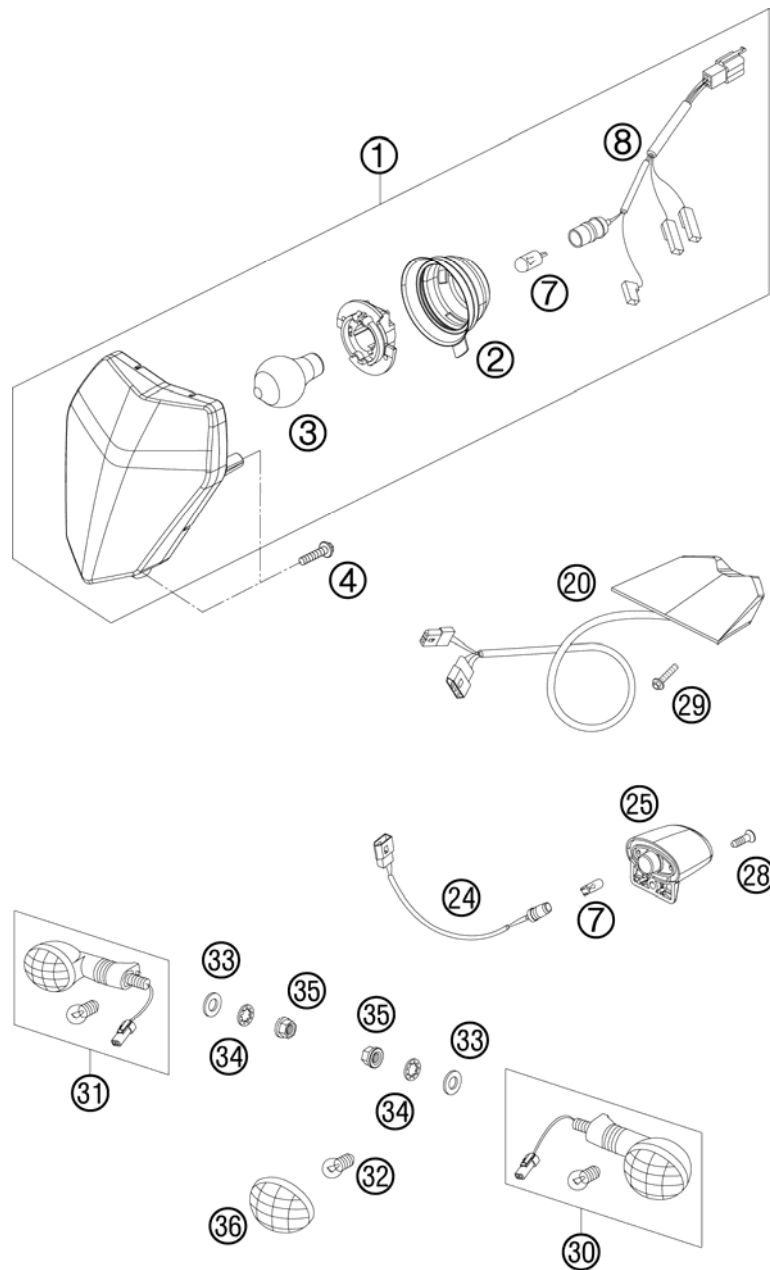
097801330 / C097801333

* NEW PART

X AS REQUIRED

LIGHTING SYSTEM

530 EXC SIX DAYS EU 2009

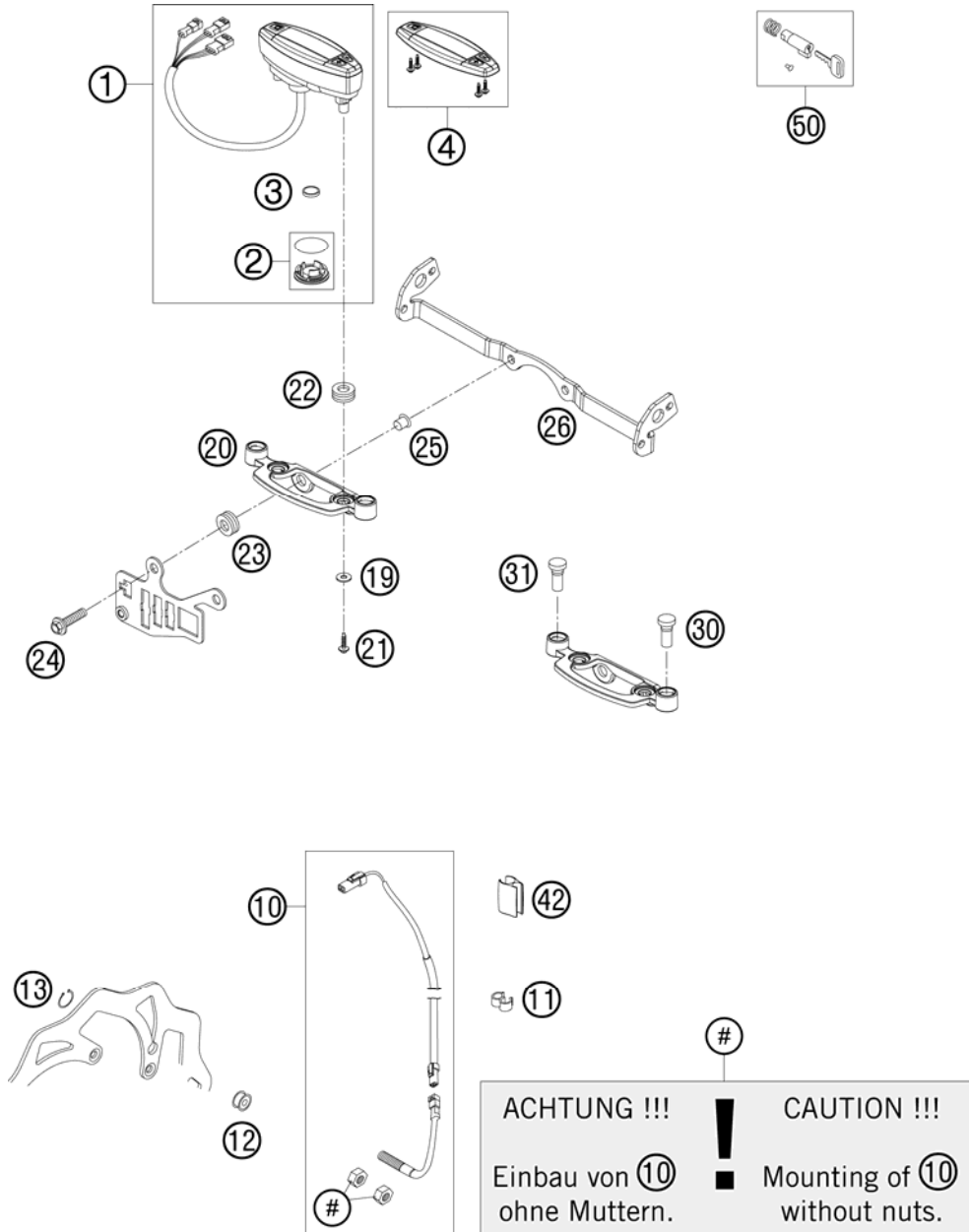


| FIG | PART NUMBER | DESCRIPTION | QTY |
|-----|-------------|---------------------------------|-----|
| 1 | 78014001000 | HEAD LIGHT CPL. EXC-EU 08 | 1 |
| 2 | 54814001050 | RUBBER CAP FOR HEAD LIGHT 05 | 1 |
| 3 | 44111038000 | BILUX-BULB 12V 35/35W BA20D | 1 |
| 4 | 0081500181 | SCREW FOR PLASTIC D=5X18 | 3 |
| 7 | 49011435100 | BULB 12V 5W (W2,1X9,5D) PHIL. | 2 |
| 8 | 54811001050 | CABLE FOR HEAD LIGHT 2005 | 1 |
| 20 | 78014040000 | REAR LIGHT EXC-EU 2008 | 1 |
| 24 | 78011093000 | WIRING H. LICENSE PL. ILLUM.08 | 1 |
| 25 | 75014047000 | LICENSE PLATE ILLUMINATION 07 | 1 |
| 28 | 0081250181 | SCREW FOR PLASTIC 50X18 T20 | 1 |
| 29 | 0017060203 | EJOT PT SCREW K60X20 WS=6 | 2 |
| 30 | 54814025100 | FLASHER CPL.FRONT L/S REAR R/S | 2 |
| 31 | 54814026100 | FLASHER CPL. FRONT R/S REAR L/S | 2 |
| 32 | 44111015100 | BULB 12V 10W (BA15S) | 4 |
| 33 | 0125100003 | WASHER DIN0125-A10,5 | 4 |
| 34 | 0797100003 | LOCK WASHER DIN6797-J10,5 ZI | 4 |
| 35 | 58414030000 | HH COLLAR NUT M10X1,25 WS=13 | 4 |
| 36 | 54814028000 | FLASHER LENS L/S R/S 05 | 4 |

085031410 / C087801410

* NEW PART

X AS REQUIRED



| FIG | PART NUMBER | DESCRIPTION | QTY |
|-----|-------------|--|-----|
| 1 | 54814069000 | SPEEDOMETER KM/H F. 21" 2005 REPROGRAMMABLE: KM/H - MPH | 1 |
| 2 | 54814069010 | BATTERY COVER F. SPEEDOM. 2005 | 1 |
| 3 | 58314068000 | BATTERY F. SPEEDOM. M.A.E. 02 | 1 |
| 4 | 54814069020 | SPEEDOMETER TOP PART 05 | 1 |
| 10 | 54814068100 | CABLE FOR DIGITAL SPEEDOM. 06 | 1 |
| 11 | 55011022100 | CLAMP D=6/8MM, BLACK | 3 |
| 12 | 54814069050 | MAGNET FOR DIGITAL SPEEDOM. 03 | 1 |
| 13 | 0471009104 | CIRCLIP DIN0471- 9X1 INOX | 1 |
| 19 | 0021050003 | WASHER DIN9021-A 5,3 | 2 |
| 20 | 54814060000 | SPEEDOMETER BRACKET 05 | 1 |
| 21 | 0081050121 | SCREW FOR PLASTIC K50X12 T20 | 2 |
| 22 | 58214069051 | RUBBER GROMMET 16X10,8X3 02 | 2 |
| 23 | 31008060000 | RUBBER SLEEVE D=8MM OPEN | 2 |
| 24 | 0024060256 | HH COLLAR SCREW M6X25 TX30 | 2 |
| 25 | 58314060050 | SPACER BUSH. F. SPEEDOMET.BRA. | 2 |
| 26 | 78014033000 | FLASHER BRACKET EXC 08 | 1 |
| 30 | 58011021300 | H.BEAM INDICATOR LIGHT BLUE'98 | 1 |
| 31 | 58011024300 | FLASHER INDICAT.LIGHT GREEN'98 | 1 |
| 42 | 54813026000 | CABLE SUPPORT 10/6MM 06 | 2 |
| 50 | 78003035000 | STEERING HEAD LOCK 08 | 1 |

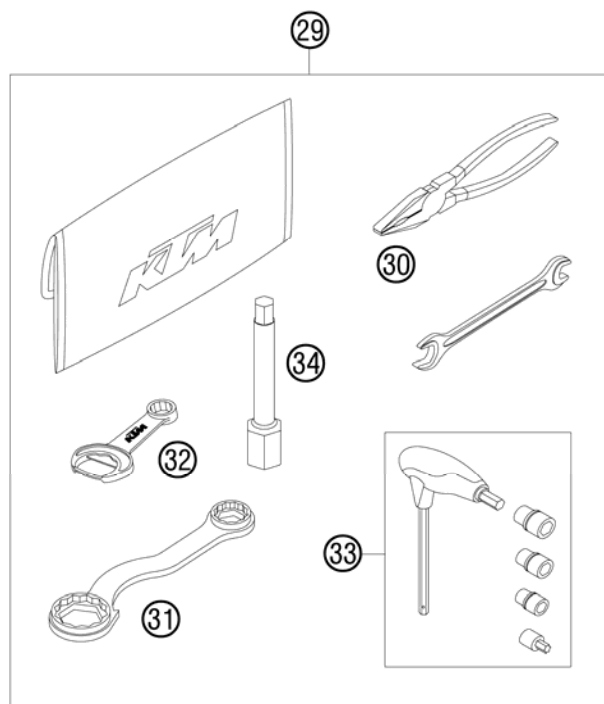
095031430 / C095031430

* NEW PART

X AS REQUIRED

①
OHNE ABBILDUNG
WITHOUT ILLUSTRATION

①
TECHNISCHE DOKUMENTATION
TECHNICAL DOCUMENTATION
DOCUMENTACION TECNICA
DOCUMENTATION TECHNIQUE
NOTE TECNICHE



| FIG | PART NUMBER | DESCRIPTION | QTY |
|-----|---------------|--------------------------------|-----|
| 0 | 0019080206S | FLAT HEAD SCREW M. ISA45 M8X20 | 1 |
| 0 | 0019080266S | COUNTER-SUNK SCREW ISA45 M8X26 | 6 |
| 0 | 0125050003 | WASHER DIN0125-A 5,3 | 2 |
| 0 | 0966050163 | OVAL HEAD SCREW DIN0966-M 5X16 | 2 |
| 0 | 0985050003 | SELF LOCKING NUT DIN0985-M 5 | 2 |
| 0 | 312305 | DOCUMENTS BAG 2006 | 1 |
| 0 | 312313 | KTM BALLPOINT ORANGE | 1 |
| 0 | 3210039 | CUSTOMER WELCOME LETTER | 1 |
| 0 | 40006006000 | WASHER 6MM | 2 |
| 0 | 50033029013 | SPROCKET 13-T | x |
| 0 | 5030314013390 | FOOTREST L.+R. CPL. 03 | 1 |
| 0 | 50313082200 | BRAKE LINING SUPP. BOLT | 1 |
| 0 | 52000026 | STICKER FR.FORK-SET WP TRANSP. | 1 |
| 0 | 54310086200 | SELF LOCKING NUT M8 10.9 | 6 |
| 0 | 54809081060 | WHEEL SPINDLE-INSET 26MM 04 | 1 |
| 0 | 58012040150 | CLAMP FOR MIRROR '94 | 2 |
| 0 | 5841005105004 | SPROCKET STEALTH 50-T | 1 |
| 0 | 58412040000 | MIRROR L/S 98 | 1 |
| 0 | 58412040050 | SUPPORT FOR MIRROR LC4 '98 | 2 |
| 0 | 58412041000 | MIRROR R/S 98 | 1 |
| 0 | 58412080000 | REFLECTOR RED LC4 '98 | 1 |
| 0 | 58412080050 | BRACKET FOR REFLECTOR | 1 |
| 0 | 58511053000 | BATTERY 12V 4AH YTX5L-BS | 1 |
| 0 | 59002002000 | HANDLEBAR PAD 05 | 1 |
| 0 | 7700207900004 | HAND GUARDS CPL.L/S+R/S OR. 06 | 1 |
| 0 | 77303094100 | PLASTIC FRAME PROTECTION SET | 1 |
| 0 | 77306016000 | FILTER CARRIER 4S SX 07 | 1 |
| 0 | 78003190000 | SKID PLATE PLASTIC | 1 |
| 0 | 78010065116 | CHAIN X -RING 116 R. ZRA 09 | 1 |
| 0 | SXS08125610 | BLEEDER VALVE SET | 1 |
| 1 | 3211355EN | OWN.MAN.400-530 EXC/XC-W/SD 09 | 1 |
| 1 | 3CF8503I2EN | SPM CHASSIS 530EXC SIX-DAYS 09 | 1 |
| 1 | 3CM089620IEN | SPC ENGINE 530 EXC 2009 | 1 |
| 29 | 78029099000 | % TOOL SET 08 | 1 |
| 30 | 53012028200 | GRIP ORANGE B&F | 1 |
| 31 | 50329080100 | WRENCH SW=17/21/27/32 B&F | 1 |

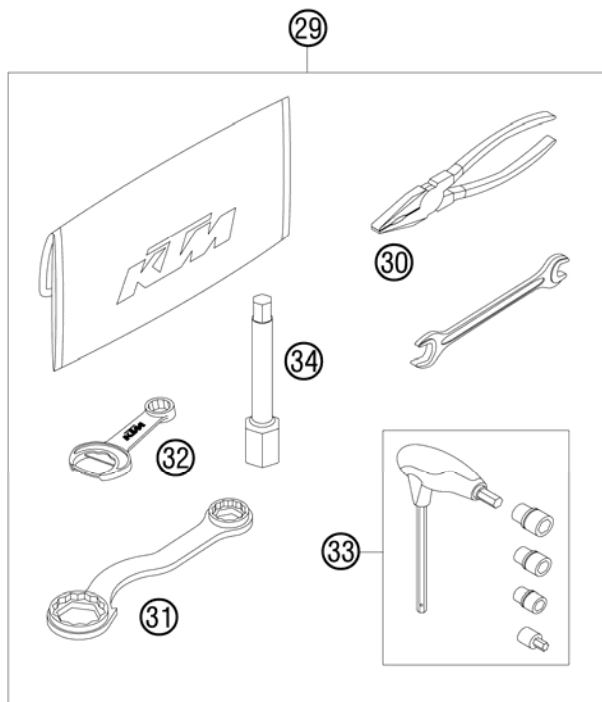
087802001 / C097862006

* NEW PART

X AS REQUIRED

①
OHNE ABBILDUNG
WITHOUT ILLUSTRATION

①
TECHNISCHE DOKUMENTATION
TECHNICAL DOCUMENTATION
DOCUMENTACION TECNICA
DOCUMENTATION TECHNIQUE
NOTE TECNICHE



| FIG | PART NUMBER | DESCRIPTION | QTY |
|-----|-------------|------------------------------|-----|
| 32 | 50329071100 | WRENCH 13/17 B&F | 1 |
| 33 | 60029070200 | T-WRENCH WS=6/8/10 TX=45 B&F | 1 |
| 34 | 78029072000 | SPARK PLUG SOCKET | 1 |

087802001 / C097862006

* NEW PART

X AS REQUIRED





KTM-Sportmotorcycle AG
A-5230 Mattighofen
www.ktm.at

KTM Group Partner



3CF85031ZEN



Art.Nr.: 3CF85031ZEN 7/2008