



LC4-Rally 2003-05

wiring diagram


front - 585.11.075.500  
 rear - 585.11.076.100

1/4

ignition switch

	ye-re	ye-bu
ON 		
OFF		








brake switch

cable harness	gn-wh	ye-bu
cable switch	bl	bl
pushed		
unpushed		



### color coding

black - bl  
 yellow - ye  
 blue - bu  
 green - gn  
 red - re  
 white - wh  
 brown - br  
 orange - or  
 pink - pi  
 grey - gr  
 purple - pu



light switch  
 high/low beam switch

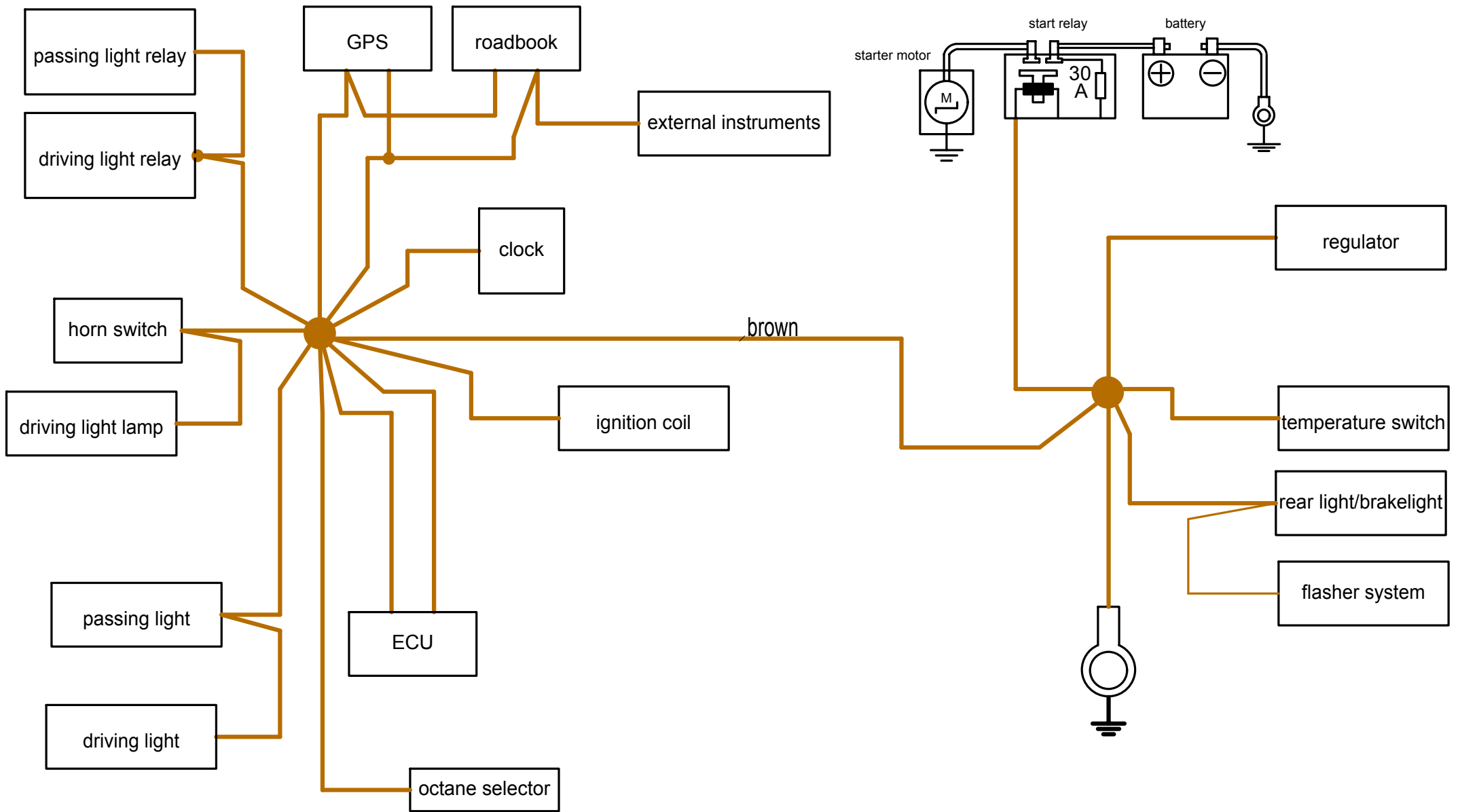
cable color	bu	ye	gn	wh
LIGHT OFF				
P.LIGHT  LO 				
HI  P.LIGHT 				

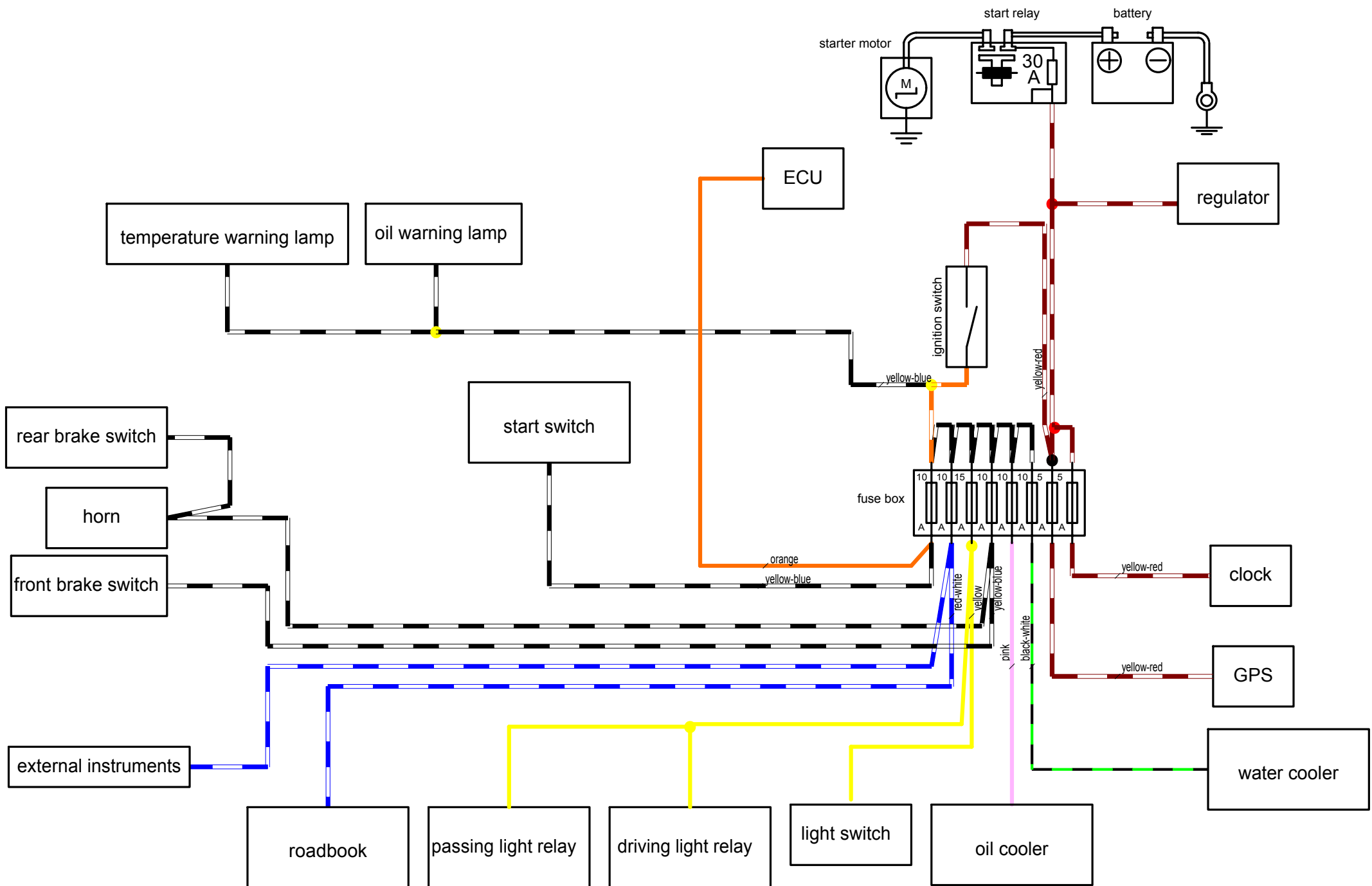
horn switch

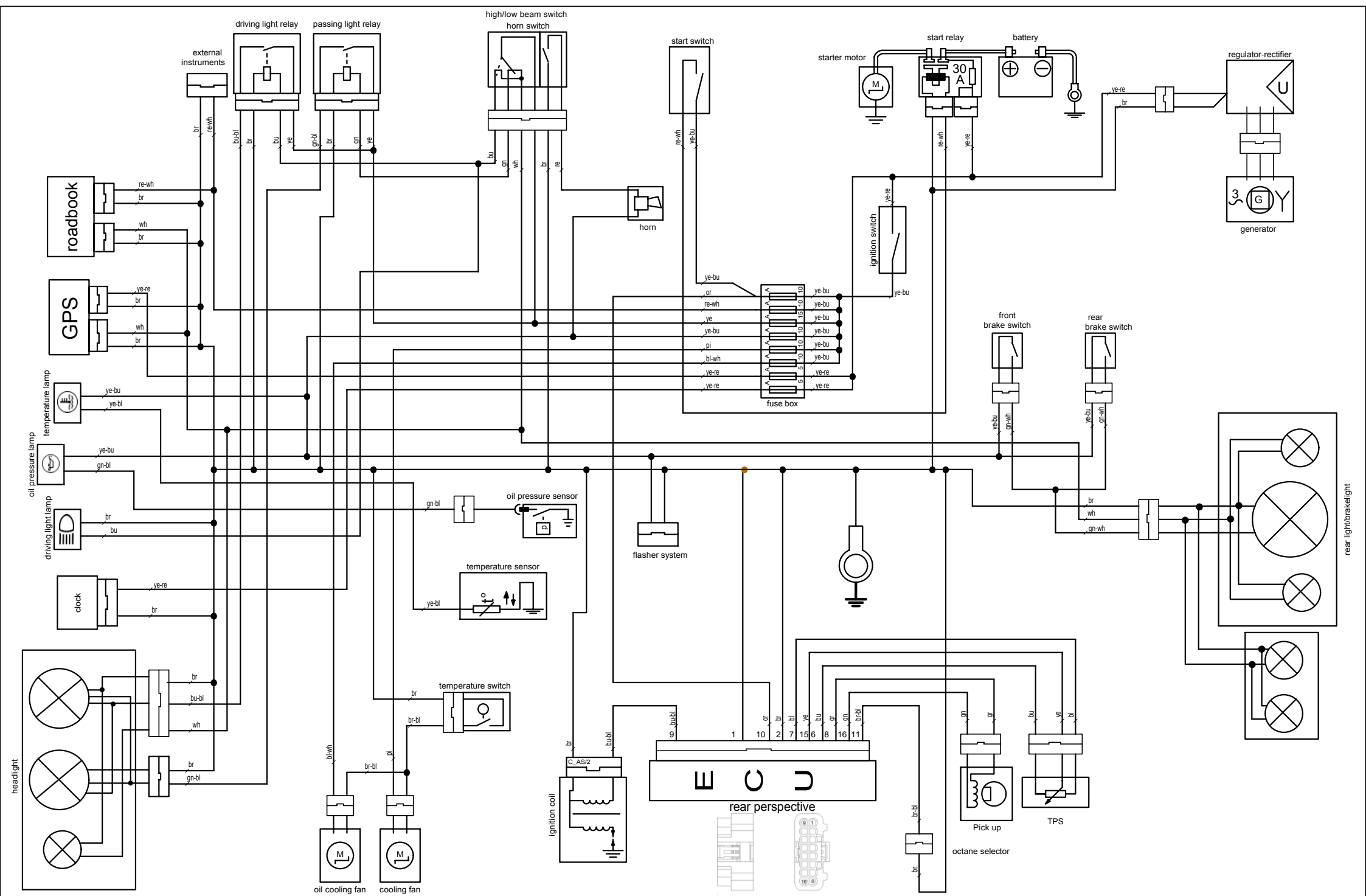
cable color	re	br
HORN 		
OFF		

start switch

cable switch	re-wh	ye-bu
START 		
unpushed		







LC4-Rally 2003-05

positive connection

front - 585.11.075.500  
 rear - 585.11.076.100

