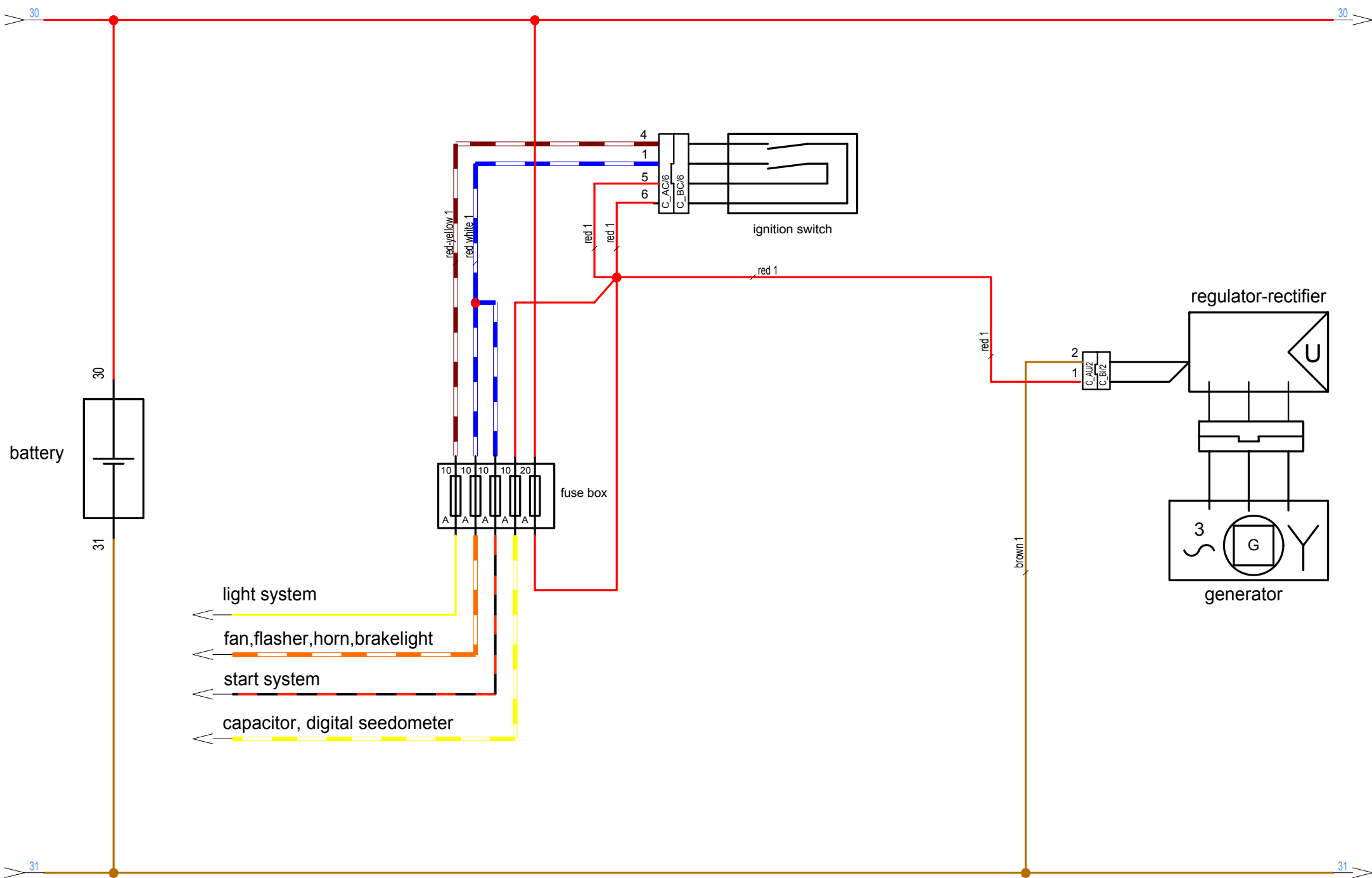
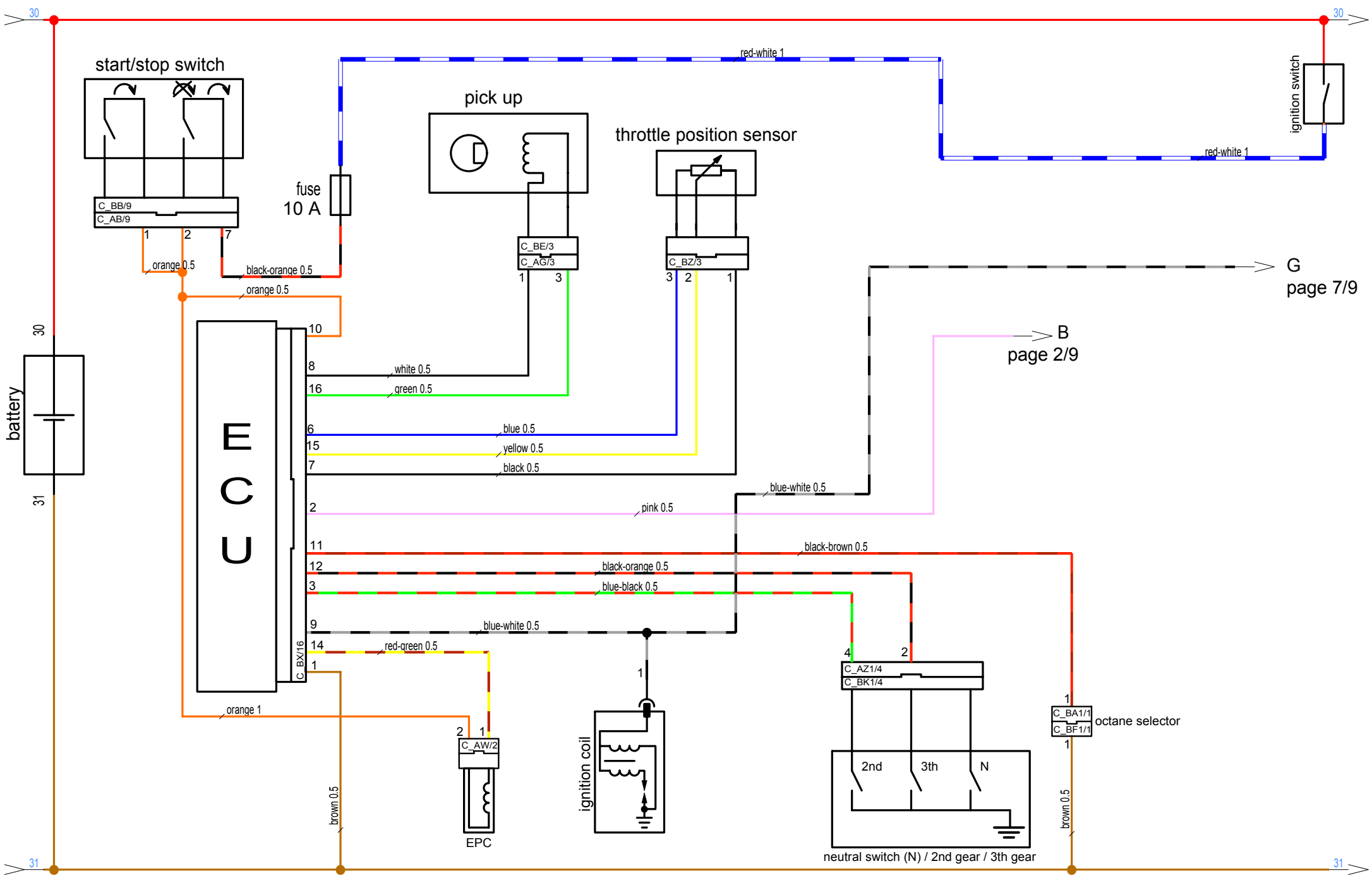


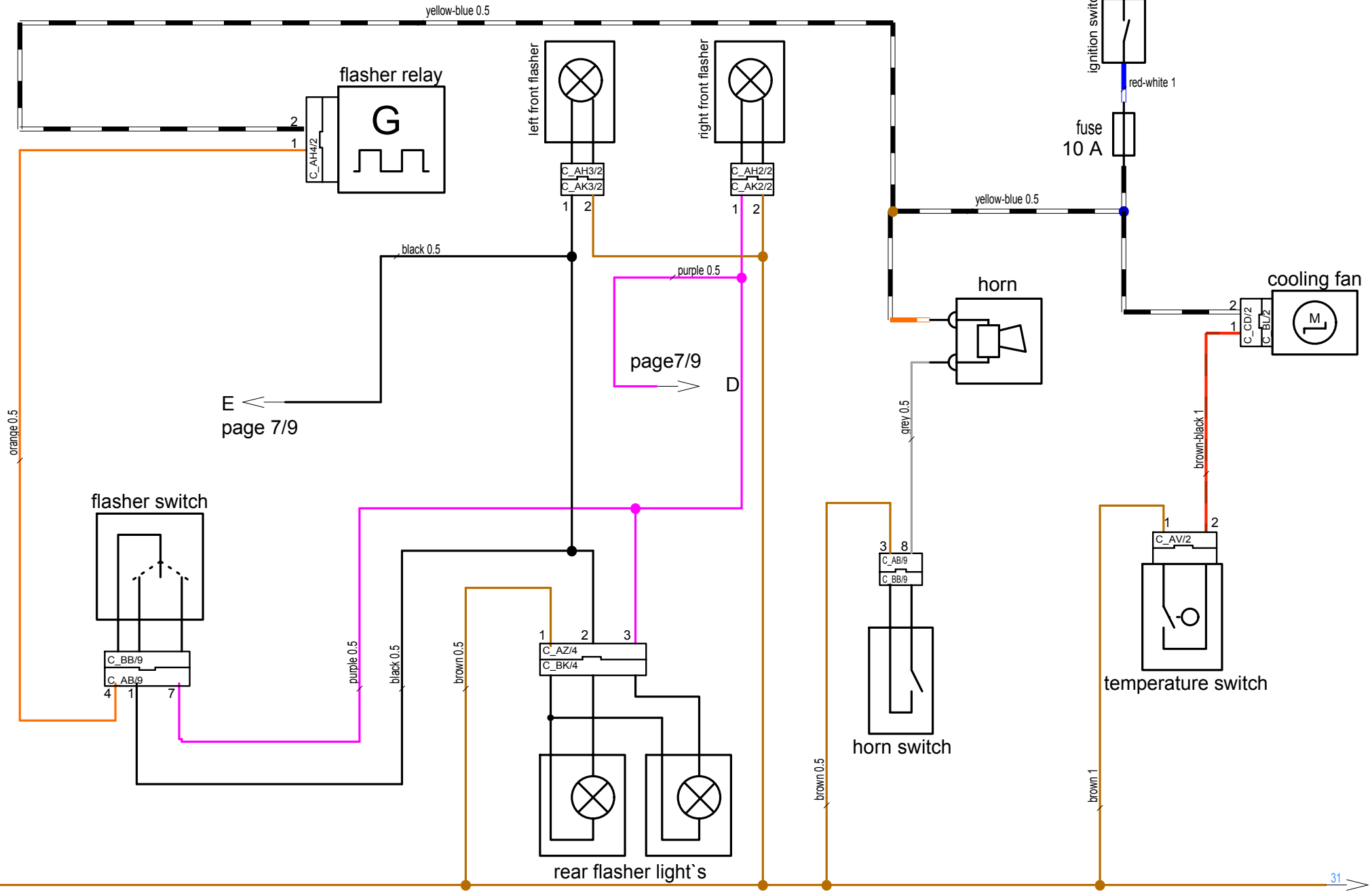
A < page 7/9

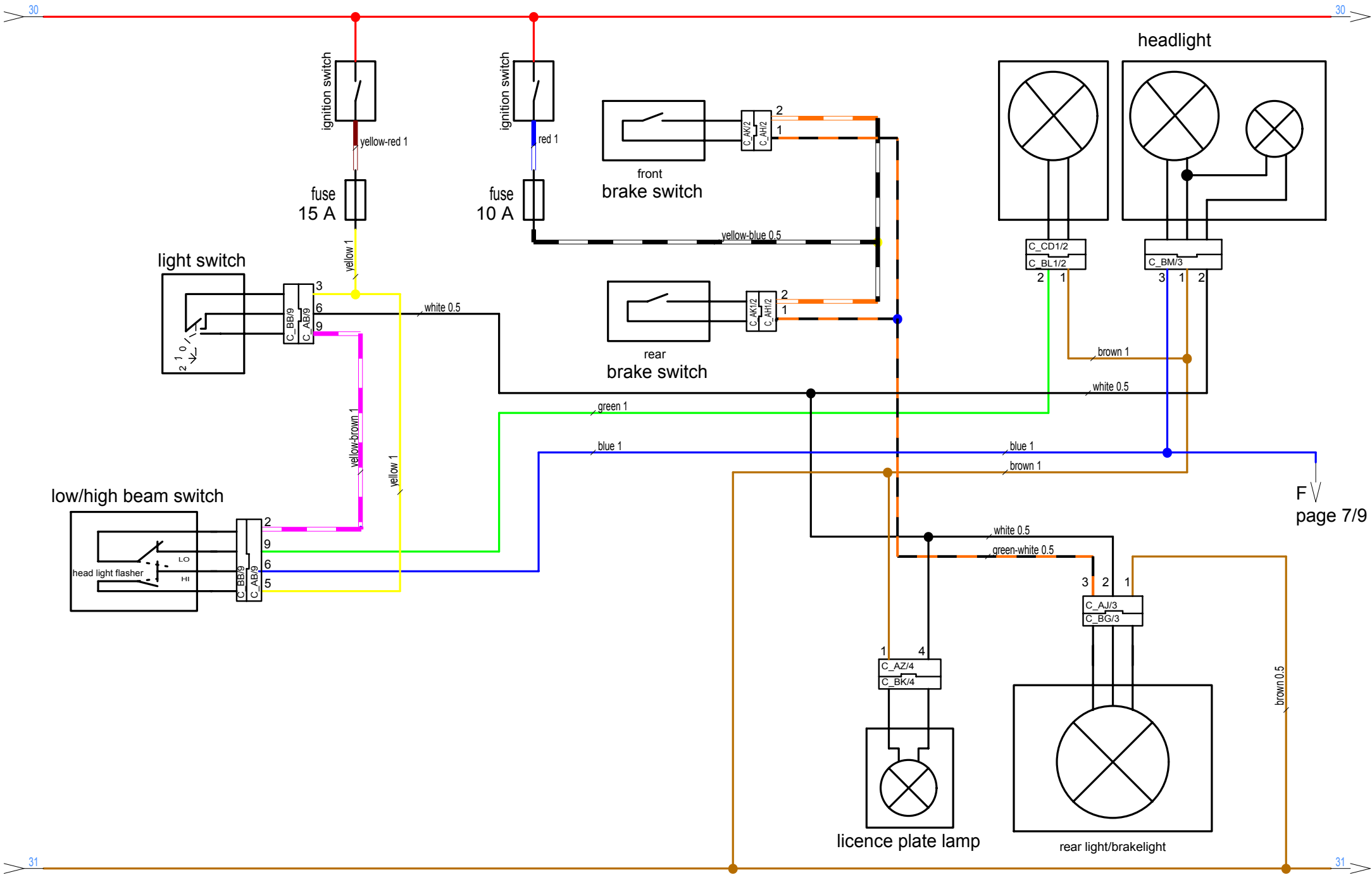
B > page 4/9



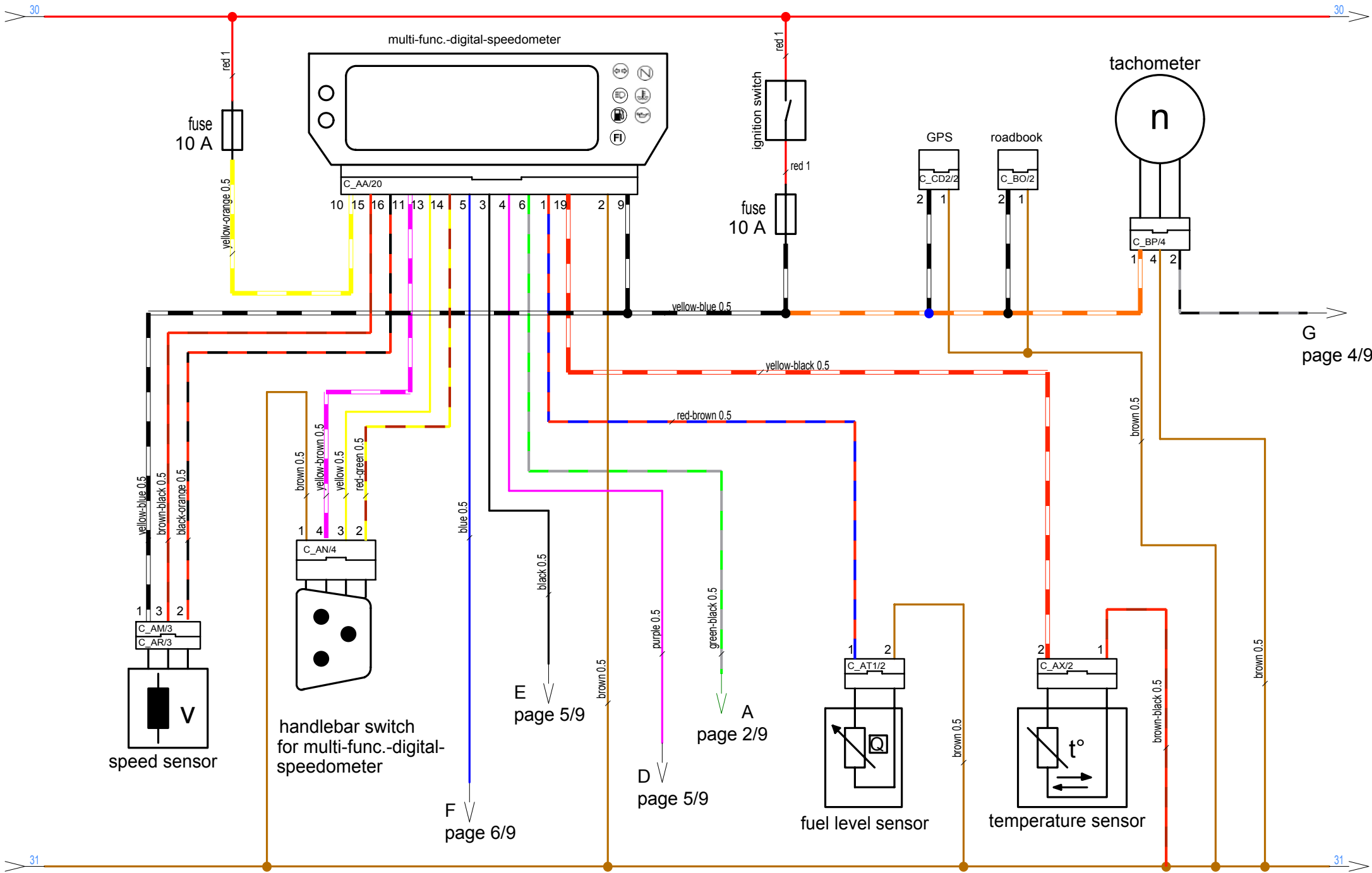









F V  
page 7/9





	r-w	r-w	r-w	o	y-r	r-w
ON 		●	●	●	●	●
OFF						
LOCKED						

	gn-wh	ye-bu
cable harness		
cable switch	bl	bl
pushed	●	●
unpushed		

	br	pi
cable harness		
cable switch	bl	bl
folded up	●	●
folded down		


### high/low beam switch

	bu	gn	ye-br
cable harness			
cable switch	wh	ye	gn-re
LO 		●	●
HI 	●	●	●

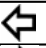

### clutch switch

	ye	br
switch position		
pulled	●	●
unpulled		


### horn switch

	gr	br
cable harness		
cable switch	pi	br-pi
HORN 	●	●
OFF		

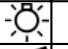

### flasher switch

	or	pu	bl	gr	br
cable harness					
cable switch	gn-br	bu-re	bu-bl	pi	br-pi
TURN L 	●	●			
TURN R 	●	●	●		
OFF					

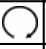
### passing light

	ye	bu
cable harness		
cable switch	gn-bl	wh
P. HORN 	●	●
OFF		


### light switch

	ye-br	wh	ye
cable harness			
cable switch	ye-wh	wh	re-ye
LIGHT OFF			
P. LIGHT 		●	●
LIGHT 	●	●	●

### kill switch

	re	or
cable harness		
cable switch	or	bl-wh
RUN 	●	●
STOP		

### start switch

	or	bl-or
cable harness		
cable switch	bl-bu	bl
START 	●	●
unpushed		



