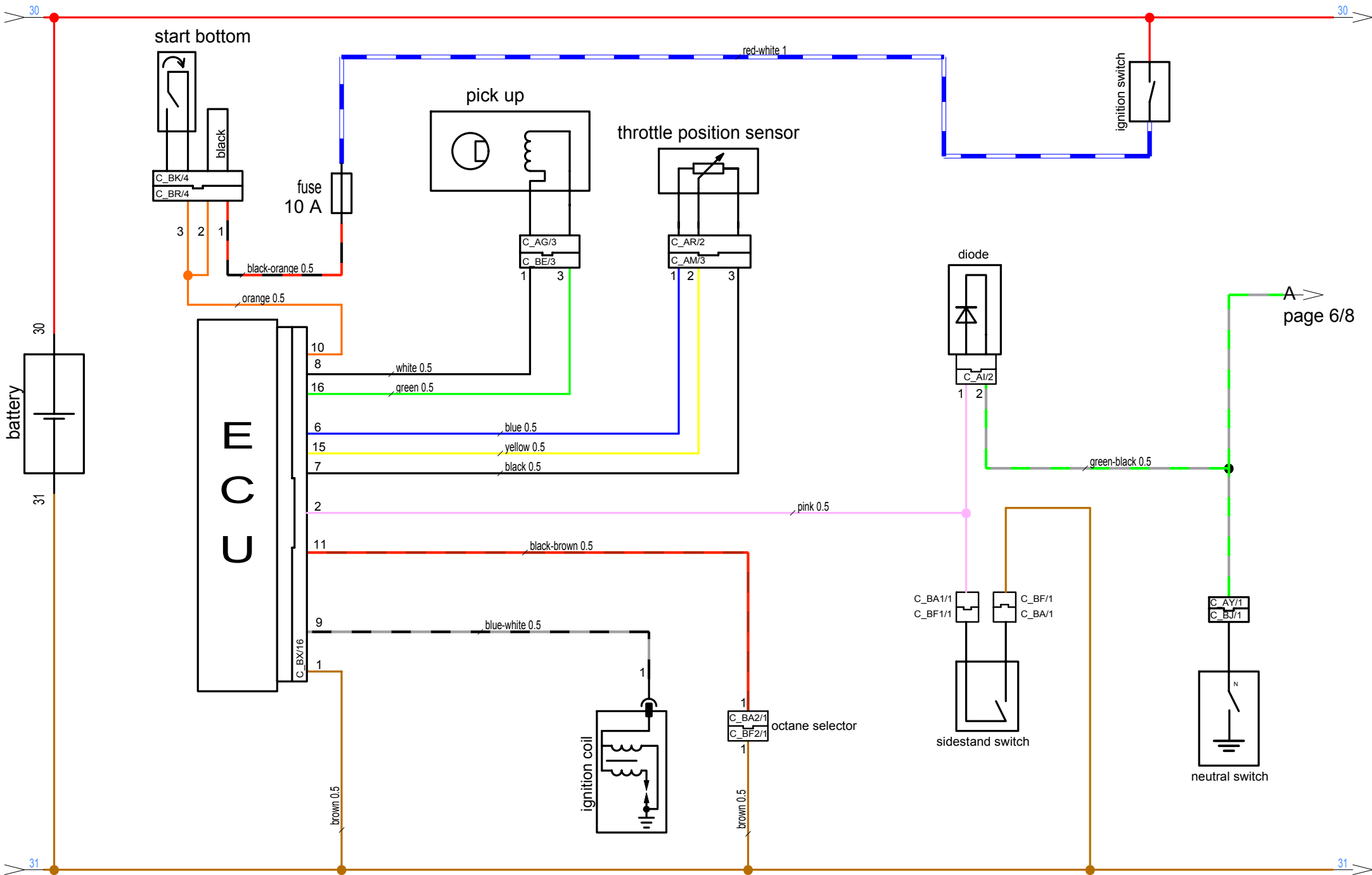


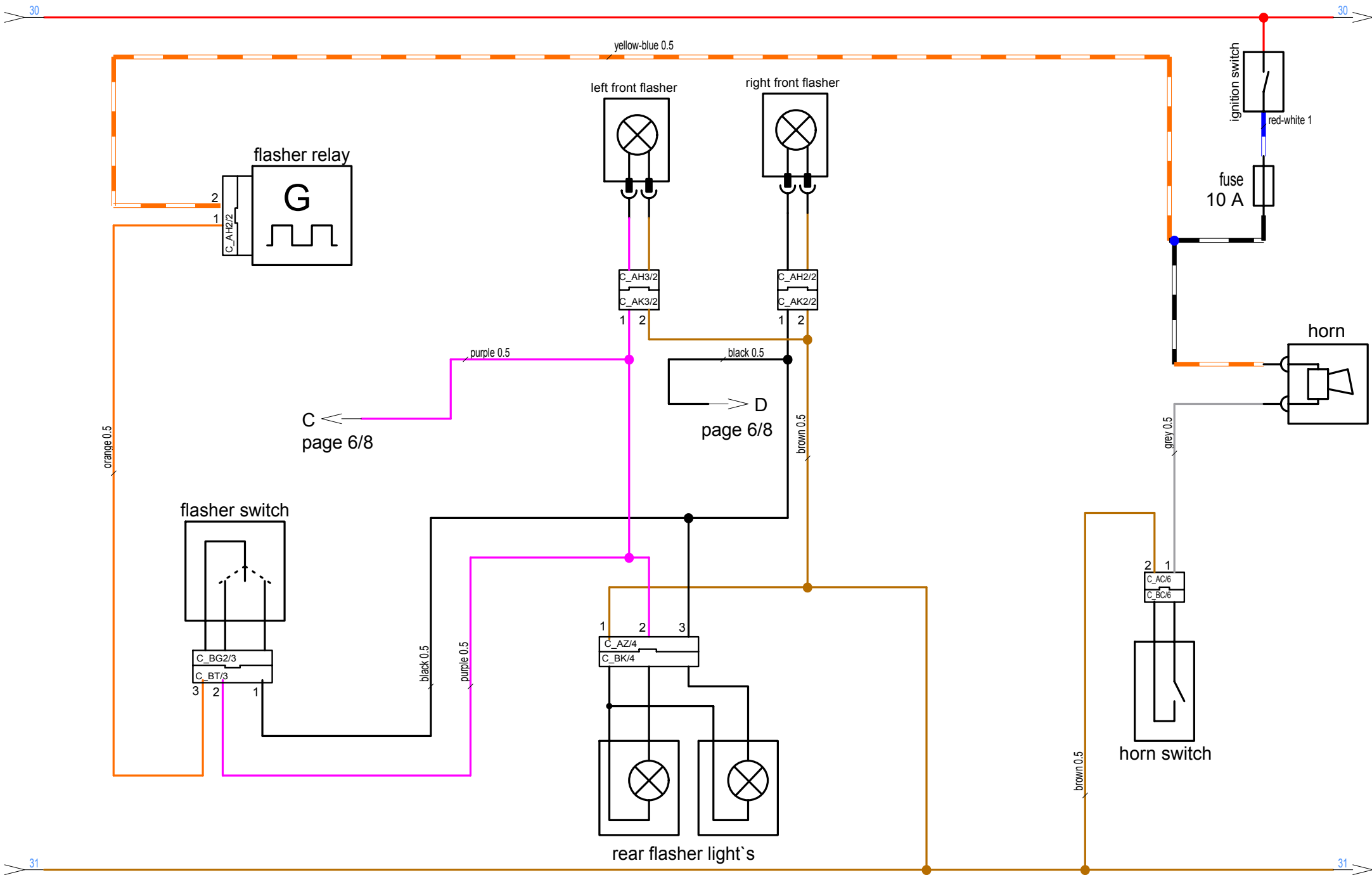
625 SMC 05

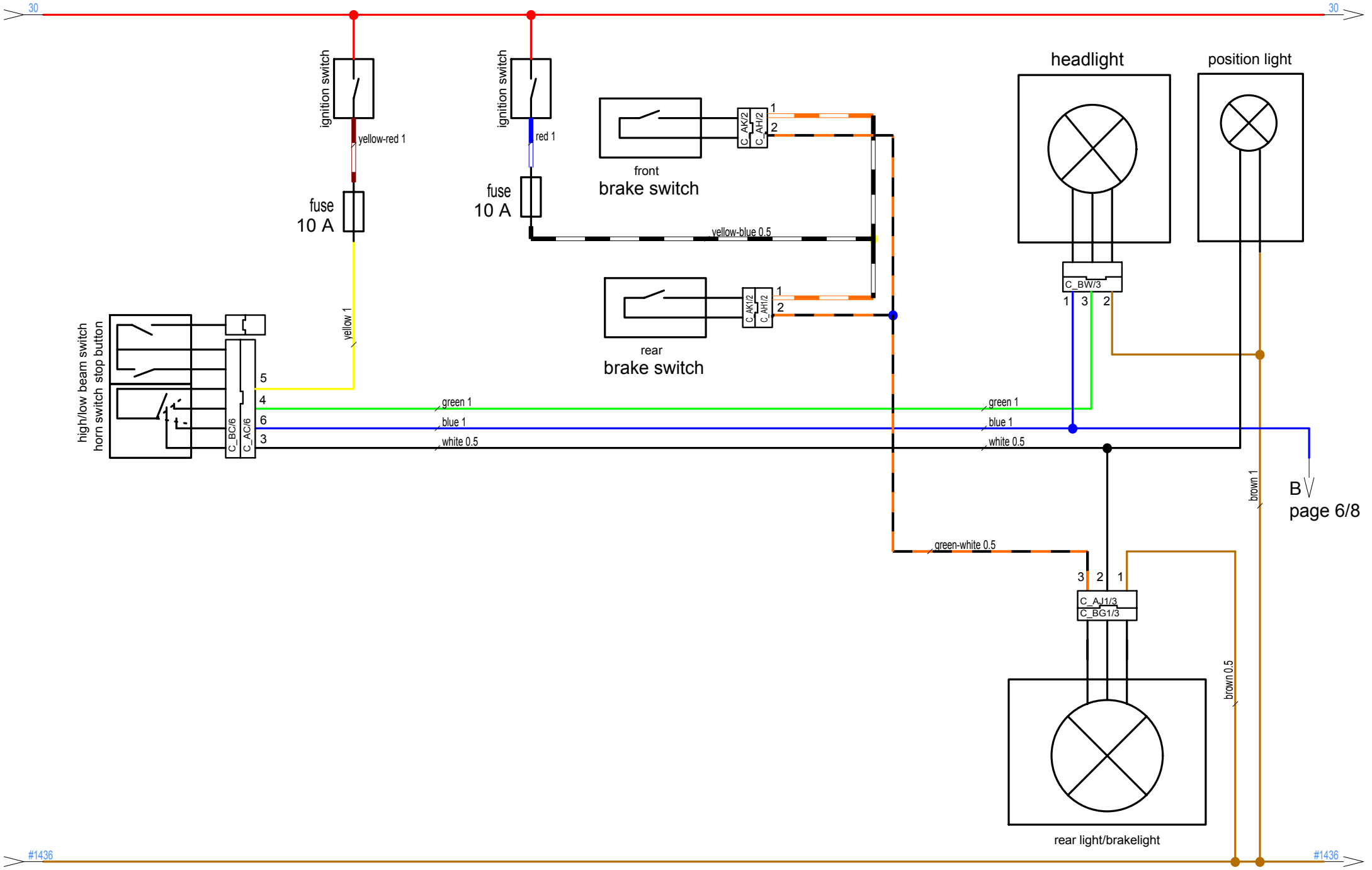
wiring diagram

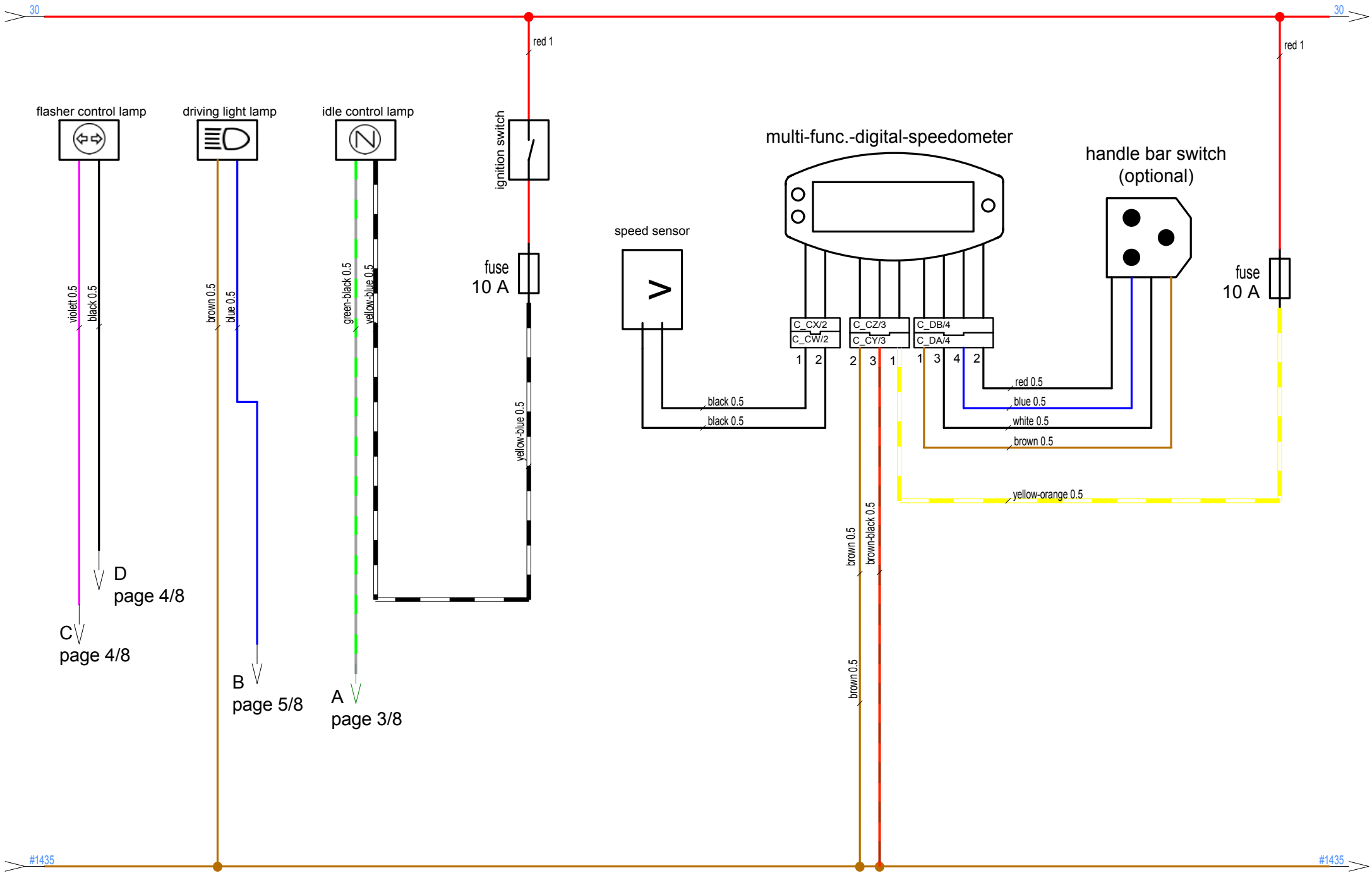
main harness - 586.11.075.100

1/8























ignition switch

cable switch	gn	or	bu	re-wh
cable harness	re	ye-re	re	re-wh
ON 				
light 				
OFF				



light switch high/low beam switch

cable color	bu	ye	gn	wh
LIGHT OFF				
P.LIGHT-  LO 				
HI  P.LIGHT- 				


start switch

cable harness	or	bl-or
cable switch	bl-bu	bl
START 		
unpushed		





horn switch

cable color	re	br
HORN 		
OFF		


kill switch

cable color	ye-bl	br
pushed		
unpushed		


flasher switch

cable harness	or	pu	bl
TURN L 			
TURN R 			
OFF			

brake switch

cable harness	gn-wh	ye-bu
cable switch	bl	bl
pushed		
unpushed		

sidestand switch

cable harness	br	pi
cable switch	bl	bl
folded up		
folded down		

