

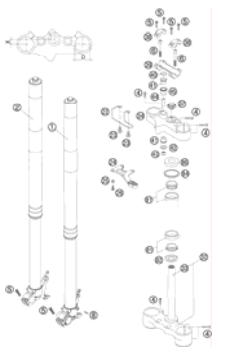
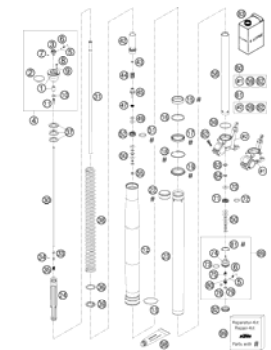
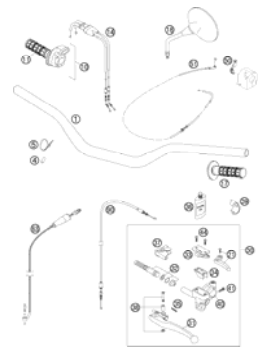
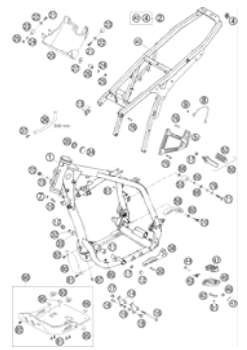
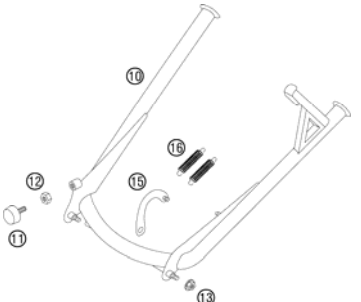
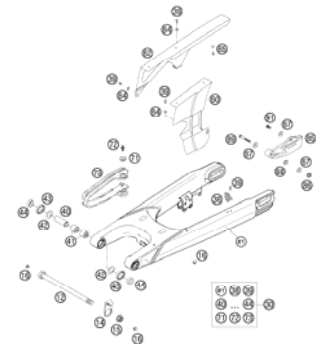
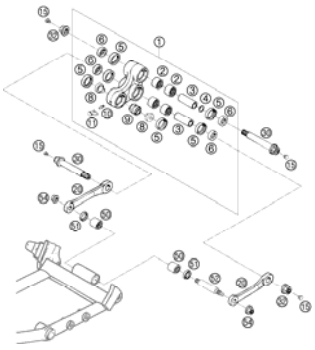
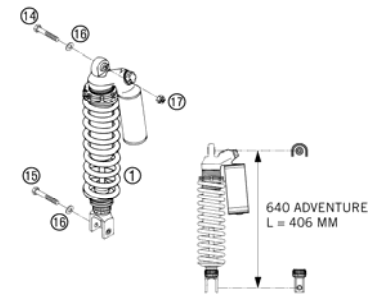
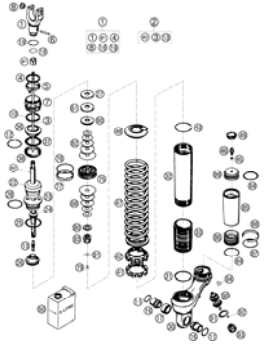
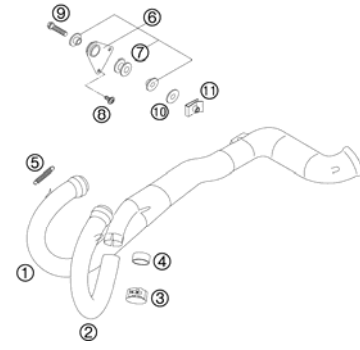
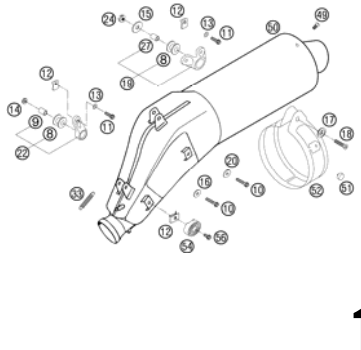
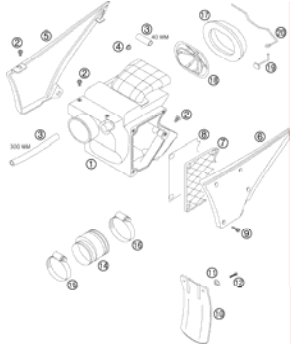
640 LC4 ADVENTURE EU 2006

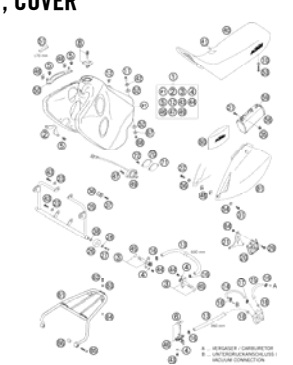
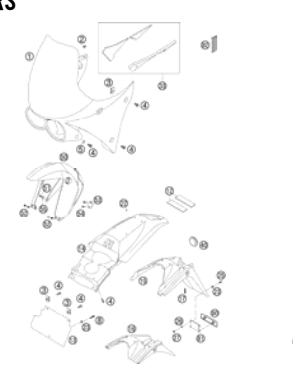

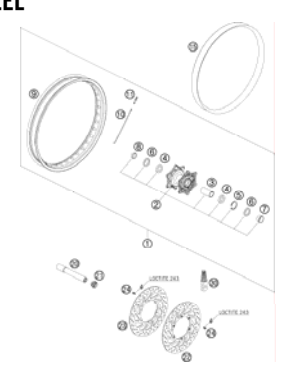
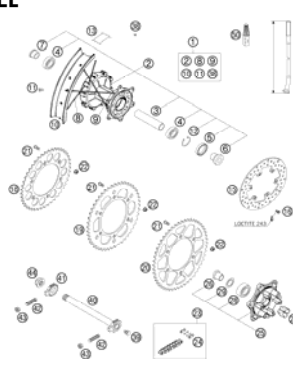
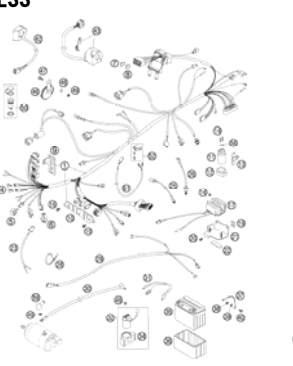
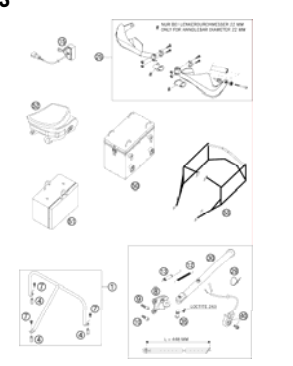
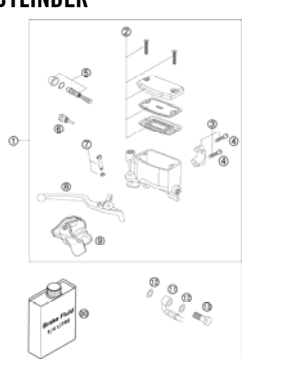
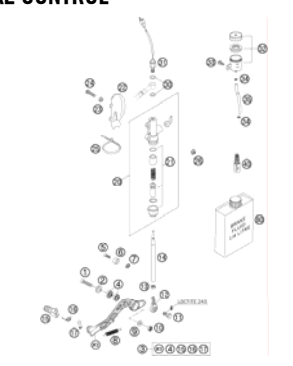
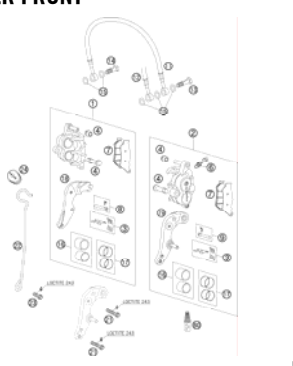
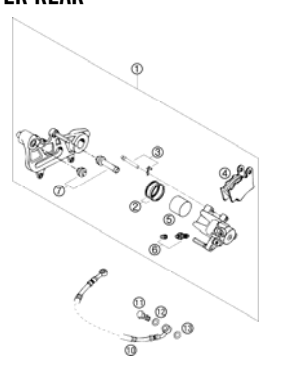
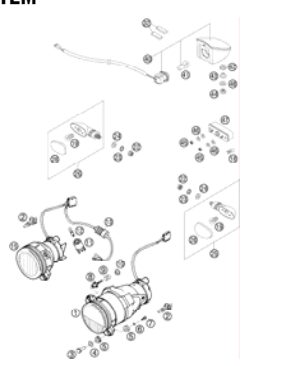
SPARE PARTS MANUAL: CHASSIS

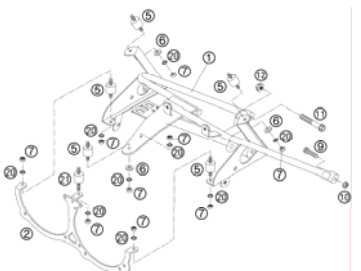
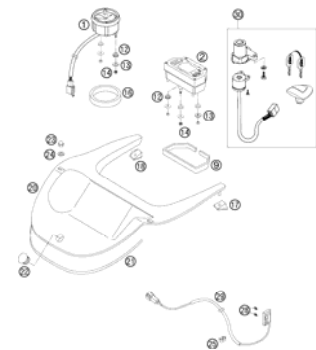
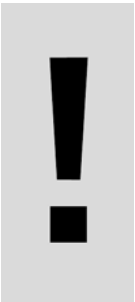
ART.NO.: 3CF9703F1EN

ENGLISH



<p>TELESCOPIC FORK</p>  <p>4</p>	<p>FORK LEGS</p>  <p>5</p>	<p>HANDLEBAR, CONTROLS</p>  <p>8</p>	<p>FRAME, SUB FRAME</p>  <p>9</p>
<p>CENTER STAND</p>  <p>11</p>	<p>SWING ARM</p>  <p>12</p>	<p>PRO LEVER SYSTEM</p>  <p>13</p>	<p>SHOCK ABSORBER</p>  <p>640 ADVENTURE L = 406 MM</p> <p>14</p>
<p>SHOCK ABSORBER DISASSEMBLED</p>  <p>15</p>	<p>MAINFOLD</p>  <p>18</p>	<p>MAINFOLD, SILENCER</p>  <p>19</p>	<p>AIR FILTER BOX</p>  <p>20</p>

<p>TANK, SEAT, COVER</p>  <p>21</p>	<p>MASK, FENDERS</p>  <p>23</p>	<p>DECAL</p>  <p>24</p>	<p>FRONT WHEEL</p>  <p>25</p>
<p>REAR WHEEL</p>  <p>26</p>	<p>WIRING HARNESS</p>  <p>28</p>	<p>ACCESSORIES</p>  <p>30</p>	<p>HAND BRAKE CYLINDER</p>  <p>31</p>
<p>REAR BRAKE CONTROL</p>  <p>32</p>	<p>BRAKE CALIPER FRONT</p>  <p>33</p>	<p>BRAKE CALIPER REAR</p>  <p>34</p>	<p>LIGHTING SYSTEM</p>  <p>35</p>

<p>COCKPIT CARRIER</p>  <p>36</p>	<p>SPEEDOMETER</p>  <p>37</p>		
	 <p>All information contained is without obligation. KTM-Sportmotorcycle AG particularly reserves the right to modify any equipment, technical specifications, prices, colors, shapes, materials, services, service work, constructions, equipment and the like so as to adapt them to local conditions or to cancel any of the above items, all without previous announcement and without giving reasons. KTM may stop manufacturing certain models without previous notice. KTM shall not be held liable for any deviations of availability and/or ability to deliver, illustrations, descriptions, printing and/or other errors. The illustrated models partly contain extra equipment, which is not applied to standard models. © 2004 by KTM-SPORTMOTORCYCLE AG, Mattighofen AUSTRIA; All rights reserved; Reprint, also in extracts, with written allowance of KTM-SPORTMOTORCYCLE AG, Mattighofen only.</p>		

TELESCOPIC FORK

640 LC4 ADVENTURE EU 2006

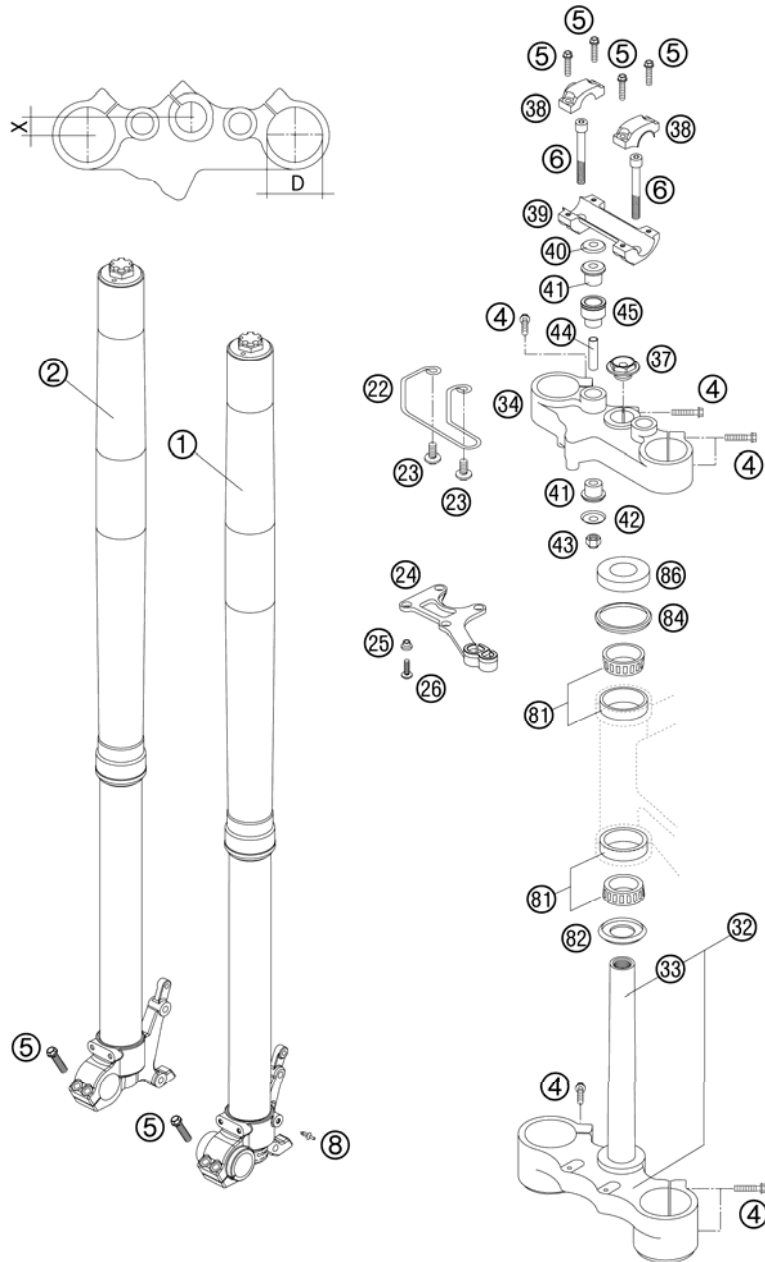


FIG	PART NUMBER	DESCRIPTION	QTY
1*	14187B26LS	FORK LEG L/S WP48 640 ADV. 06	1
2*	14187B26RS	FORK LEG R/S WP48 640 ADV. 06	1
4	0015080353	HH COLLAR SCREW M 8X35 WS=10	9
5	0015080303	HH COLLAR SCREW M 8X30 WS=10	8
6	0984100856	AH SCREW DIN6912-M10X85	2
8	60003088000	PLASTIC CAP FOR M6 03	2
22	58213010150	BRAKE HOSE GUIDE 2001	1
23	0014060103	HH COLLAR SCREW M 6X10 WS=8	2
24	60008019000	BRAKE HOSE GUIDE LOWER 03	1
25	50308052000	BUSH FOR SPOILER 6X11X16X5 MM	4
26	0015060163	HH COLLAR SCREW M 6X16 WS=8	4
32	58201032118	BOT.TRIPLE CLAMP X=18MM/D=60MM	1
33	50101033100	FORK TUBE L=244 '91	1
34	58401034318	TOP TRIPLE CLAMP X=18MM/D=54MM	1
37	50301036000	STEER.HEAD SCREW M20X1,5 WS=27	1
38	59001038200	HANDLEBAR CLAMP D=28MM 2000	2
39	59001039100	HANDLEBAR SUPPORT 28MM SC'99	1
40	56401042000	WASHER 10,5X32X2	2
41	56401040000	RUBBER BUSHING	4
42	56401142000	WASHER 10,5X31	2
43	0982100003	SELF LOCK.NUT DIN0982-M10 HIGH	2
44	58201041000	SPACER TUBE 10,2X12X62 04	2
45	59001043000	HANDLEBAR RISER 04	2
481*	54201081100	TAPERED ROLLER BEARING CPL. 06	2
82	54601084100	O-RING SUPPORT W. SEALING LIP	1
84	54601184000	STEERING HEAD GASKET TOP	1
86	54201086000	STEERING HEAD COVER	1

05582010 / C065820100

* NEW PART

X AS REQUIRED

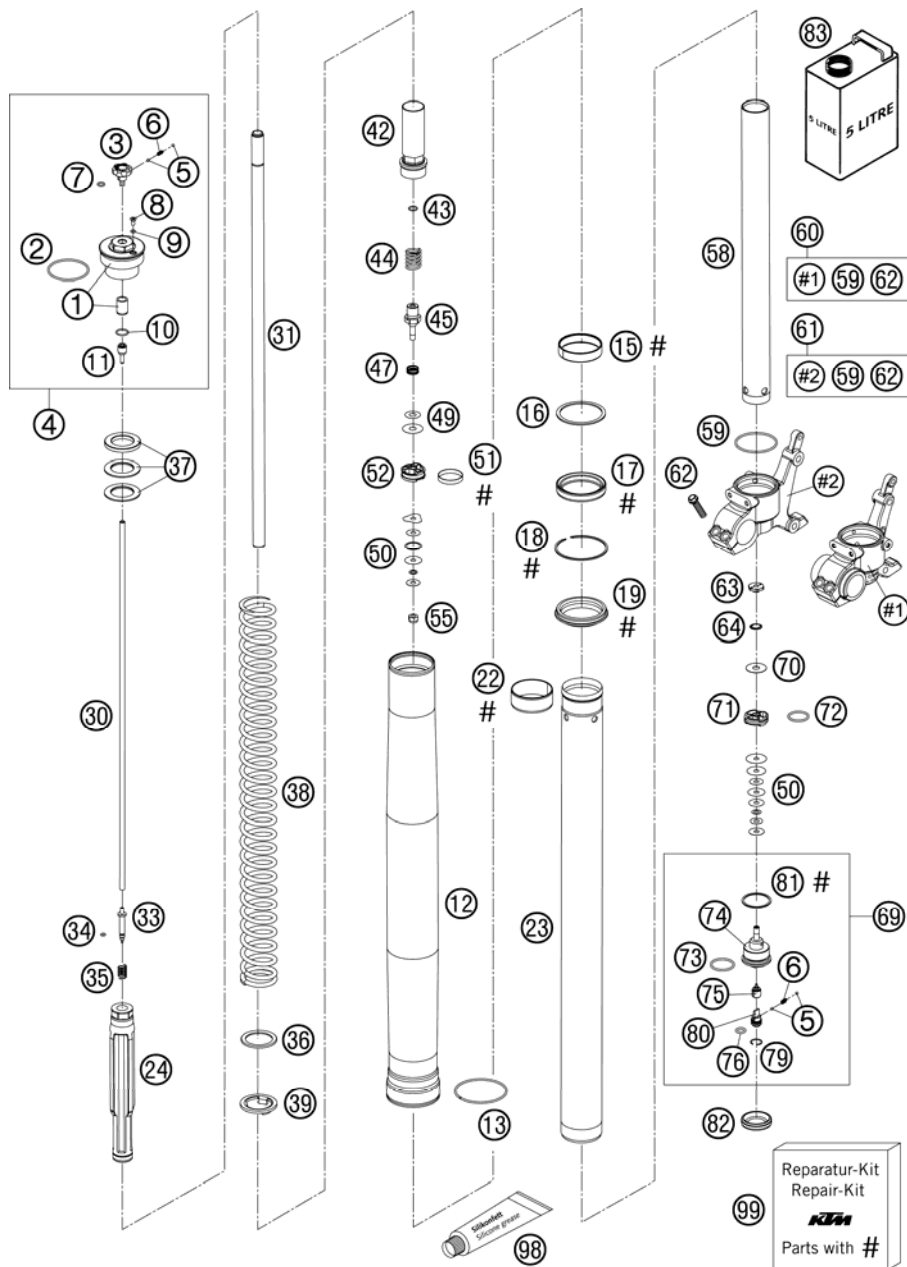


FIG	PART NUMBER	DESCRIPTION	QTY
1*	48600020S1	SCREW CAP M51X1,5 CPL.	2
2	46810340	O-RING NBR 45X2	2
3	48600018	KNOB REBOUNG ADJUSTER	2
4	48600020S1	SCREW CAP M51X1,5 CPL.	2
5	40540603	STEEL BALL D=3MM	8
6	48600028	SPRING D=2,9 L=7,9	4
7	48600044	O-RING NBR 6X1,5	2
8	48600058	VENT SCREW M4X6	2
9	48600009	O-RING NBR 3,7X1,6	2
10	48600043	O-RING NBR 12X1,5	2
11	48600019	HOLDER F.ADJUSTMENT TUBE D=4MM	2
12*	48600421E	OUTER T. L=577 D=54/60 2L ANTR	2
13	48600016	GUIDING RING D=58MM	2
15*	48600429	DU-BUSH D48XD52X12DDL02	2
16	48600013	SUPPORT RING 50 X 57,6 X 1,5	2
17*	48600399	OIL SEAL RING 48X57,8X9,5	2
18	48600070	LOCK WASHER SB58	2
19*	48600400	DUST STRIPPER D=48 58,4X11,8	2
22*	48600428	DU-BUSH D47XD49X20DDL02	2
23	48600417	INNER TUBE D=48 L=595 2005	2
24*	48600380S1	HYDR.STOP L=200MM D=31,9 CPL.	2
30	48600094	ADJUSTMENT TUBE L=492MM	2
31	48600412	PISTON ROD 14X11X1 L=526	2
33	48600189	NEEDLE REBOUNG 2003	2
34	48600046	O-RING NBR 3X1,5	2
35	48600033	SPRING REBOUNG NEEDLE C=4N/MM	2
36	48600113	WASHER 32X42X2,5	2
37	48600036	SPACER 42X26,5X2,5	2
37	48600037	SPACER 42X26,5X5	2
37	48600053	SPACER 42X26,5X1,5	2
38	91410006S	SPRING 4,4N/MM SET D=5,1MM	x
38	91410019S	SPRING 4,6N/MM SET D=5,1MM	1
39	48600021	INTERM. RING 26,2 X 43 X 3	2
42	48600383S	SCREW SLEEVE M29,3X1 L=90 CPL.	2
43	48600239	O-RING NBR 8X1,25	2
44	48600403	REBOUNG SPRING D=15MM L=34,5MM	2

05582011 / C065820101

* NEW PART

X AS REQUIRED

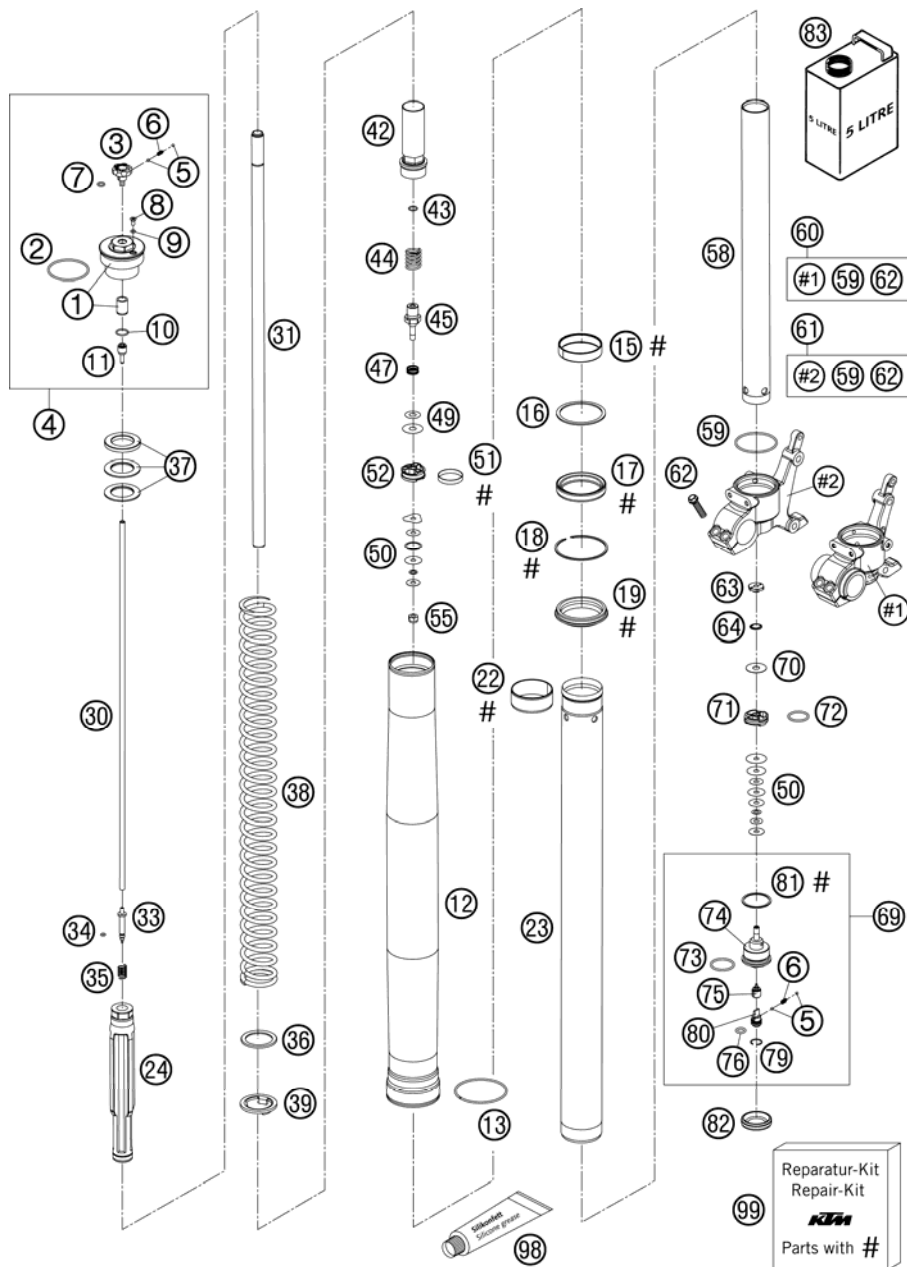


FIG	PART NUMBER	DESCRIPTION	QTY
45	48600203	TAB REBOUND D=3	2
47	35480377	SPRING CHECK VALVE D=0,5	2
49	48600062	CHECK VALVE 8X24X0,1	8
49	48600068	CHECK VALVE 8X18X0,1	2
49	48600215	CHECK VALVE 8X20X0,1	2
49	48600216	CHECK VALVE 8X22X0,1	2
50	40540401	SHIM 6X14X0,1	x
50	40540402	SHIM 6X16X0,1	x
50	40540403	SHIM 6X18X0,1	x
50	40540405	SHIM 6X14X0,15	x
50	40540406	SHIM 6X16X0,15	x
50	40540414	SHIM 6X16X0,25	x
50	40540415	SHIM 6X18X0,25	x
50	40540447	SHIM 6X10X0,3	x
50	40541391	SHIM 6X11X0,3	x
50	48600063	SHIM 6X24X0,1	x
50	48600065	SHIM 6X20X0,1	x
50	48600116	SHIM 6X24X0,1 DELTA	x
51	48600060	PISTON RING 5X1X84	2
52	48600042	PISTON REBOUND D=27,7	2
55	40540486	NUT M6X0,5 REBOUND	2
58	48600140	TUBE 29,3X1X385 ALU	2
59	48600048	O-RING NBR 46 X 2	2
60*	48600433	AXLE CLAMP L/S CPL. D=30 06	1
61*	48600434	AXLE CLAMP R/S CPL. D=30 06	1
62	0015080303	HH COLLAR SCREW M 8X30 WS=10	4
63	48600163	CHECK VALVE NUT M6X0,5 D=2	2
64	48600202	SPRING CHECK VALVE D=0,7	2
69	48600152S1	TAP COMPRESSION CPL. 03	2
70	48600061	CHECK VALVE 8X24X0,4	2
71	48600047	PISTON COMPRESSION D=27,9	2
72	46811499	O-RING NBR 21X2	2
73	35480320	O-RING NBR 24X2	2
74	48600152	TAP COMPRESSION	2
75	48600190	NEEDLE COMPRESSION 2003	2
76	48600049	O-RING NBR 8X2	2

05582011 / C065820101

* NEW PART

X AS REQUIRED

FORK LEGS

640 LC4 ADVENTURE EU 2006

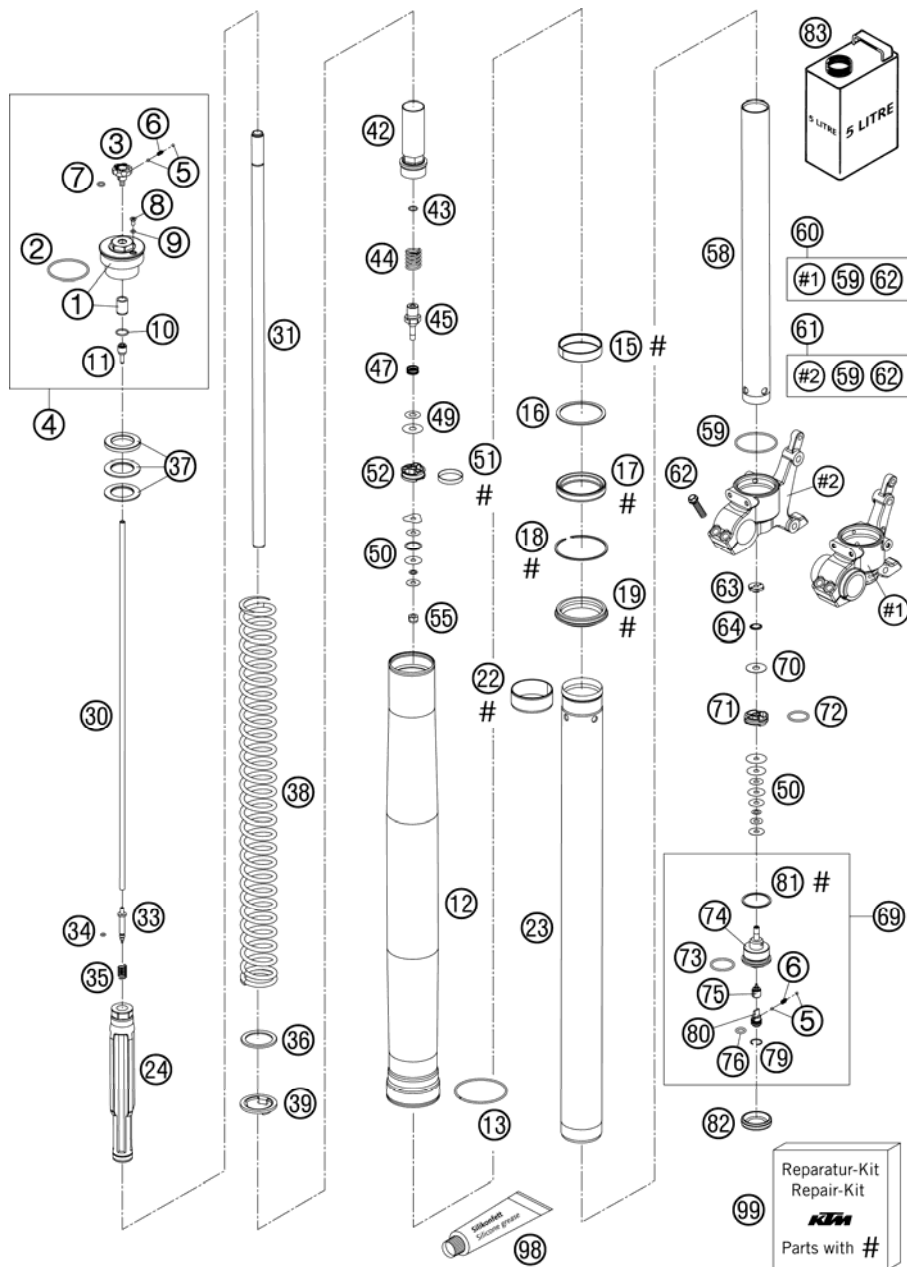


FIG	PART NUMBER	DESCRIPTION	QTY
79	48600051	LOCK WASHER RB12	2
80	48600034	COMPRESSION ADJ. SCREW	2
81	48600004	COPPER WASHER 29,5X33,5X1	2
82	48600141	RUBBER CAP D=35MM	2
83	48600401S1	FORK OIL SAE 5 2005	1
98	T511	SILICONE GREASE F. DUST STRI	1
99*	R14013	REPAIR-KIT GASKET 4860 MXMA 06	1

05582011 / C065820101

* NEW PART

X AS REQUIRED

HANDLEBAR, CONTROLS

640 LC4 ADVENTURE EU 2006

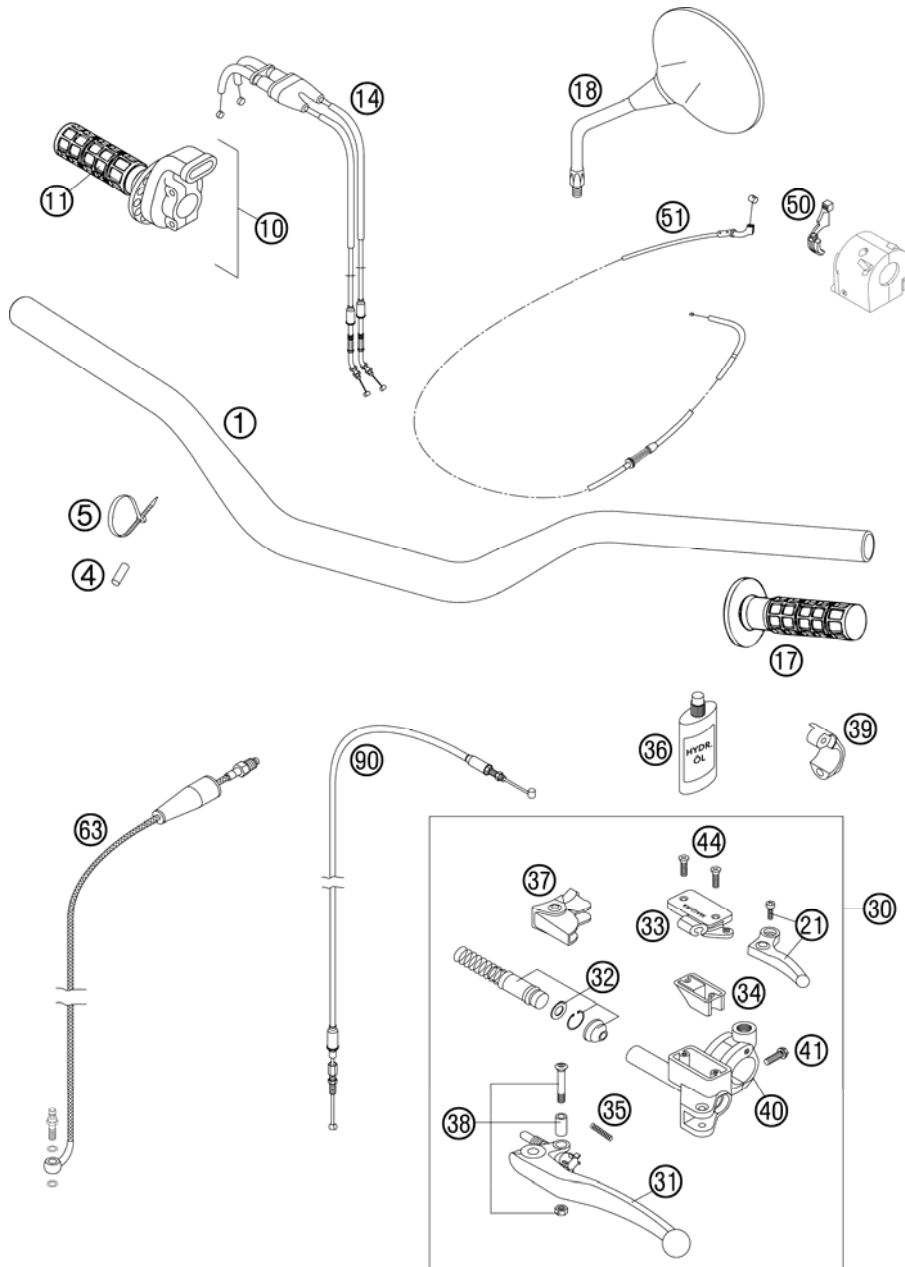


FIG	PART NUMBER	DESCRIPTION	QTY
1	58402001000	HANDLEBAR ALU LC4, ADVENTURE02	1
4	58007016001	FUEL HOSE VITON 7X2MM	x
5	44011076200	CABLE TIE 200/3,6MM BLACK	1
10	58702010000	THROTTLE GRIP CPL. DUKE 2000	1
11	58302003100	TWIST GRIP COVER PERFORATED	1
14	58402091600	THROTT.CABLE "OPEN-CLOSE" 2000	1
17	58302052100	FIXED GRIP L/S PERFORATED	1
18	58412040100	REAR MIRROR L/S+R/S LC4 2001	2
21	59002047000	DECO.LEVER CPL. RACING 2000	1
30	58402030000	MASTER CYLINDER CPL. LC4 03	1
31	60002031000	CLUTCH LEVER LONG CPL. 2003	1
32	50302032000	REP.SET PISTON CLUT.HYDR. '98	1
33	59002033000	COVER HYD.CLUTCH RACING 2000	1
34	50302034000	RUBBER FOR RESERVOIR '98	1
35	59002035000	SPRING FOR CLUTCH LEVER 03	1
36*	50302036200	OIL FOR HYD. CLUTCH 75ML	1
37	50302037000	PROTECT.CAP FOR LEVER PERCH'98	1
38	50302038000	LEVER SCREW CPL. 125-200 '98	1
39	50302030150	CLAMP WITH PIN 2000	x
40	59002044000	CLAMP MIRROR WITH PIN	1
41	0015060203	HH COLLAR SCREW M 6X20 WS=8	1
44	0965040123	FLAT HEAD SCREW DIN0965-M 4X12	2
50	58402050000	CHOKE LEVER LC4 2002	1
51	58402095100	CHOKE CABLE F. MIKUNI LC4 02	1
63	58432063000	CLUTCH PIPE LC4/SXC/SM 03	1
90	58402094000	DECOMPR. CABLE LC4 03	1

05584020 / C065820200

* NEW PART

X AS REQUIRED

FRAME, SUB FRAME

640 LC4 ADVENTURE EU 2006

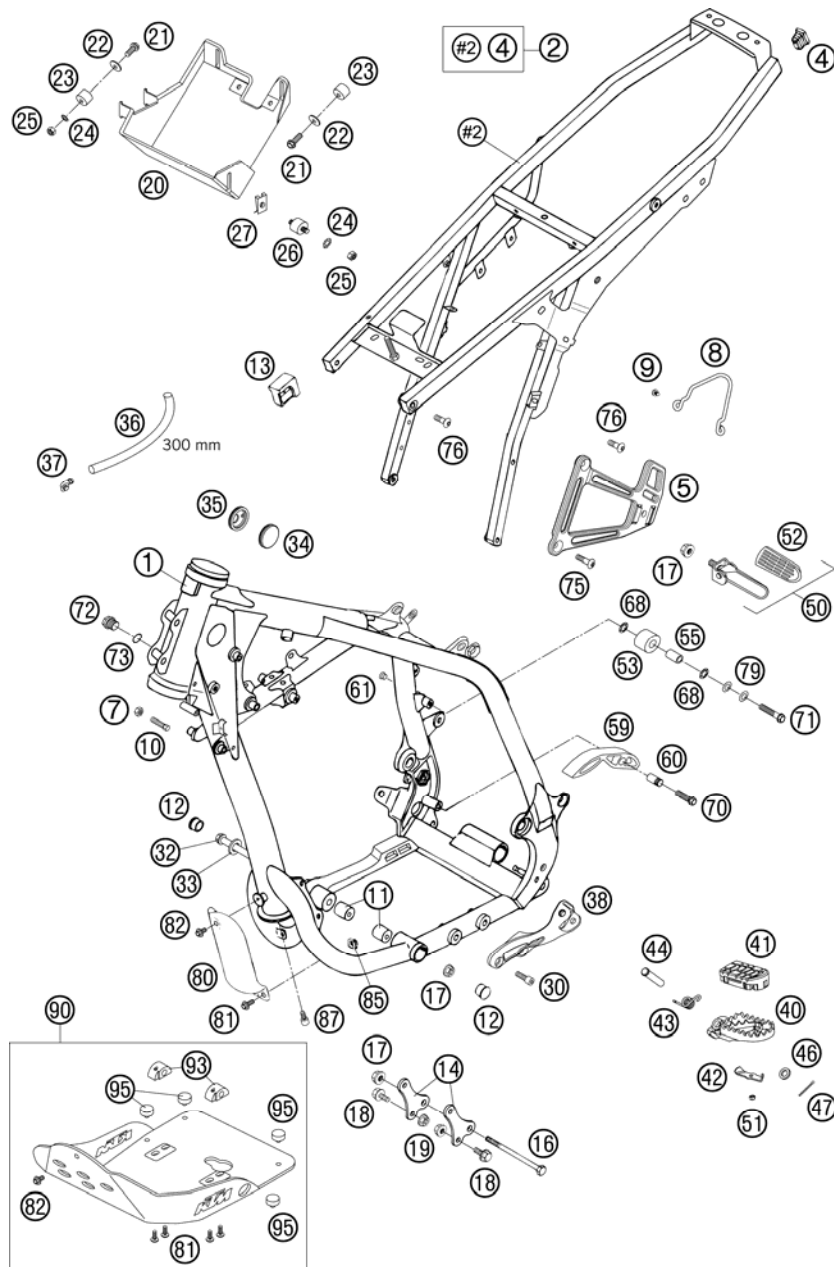


FIG	PART NUMBER	DESCRIPTION	QTY
1*	5820300174430	FRAME CPL. "EC05" 640	1
2*	5840300234430	SUB FRAME CPL. "I3" BLACK 06	1
4	58303002090	PLUG 12 X 17 MM	2
5*	5810300420030	FOOTREST BRACKET R/S BLACK	1
5*	5840304800030	FOOTRESTBRACK. REAR L/S 06	1
7	0934080003	HEXAGON NUT DIN0934-M 8	2
8	58403056000	THERMAL PROTECTION BOW 04	1
9	0985050103	OVAL HEAD SCR. DIN7985-M 5X10	2
10	59001037000	SPECIAL SCREW M8X26 WS=10	2
11	58003012000	SPACER ROLLER 10,3X20X22	2
12	71001012100	PVC CAP D=22MM	2
13	58307015000	TANK SUPPORT '93	2
14	58303055000	ENGINE SUPPORT AGW '94	2
16	58403013000	ENGINE BRAC.SCREW M10X110 WS13	1
17	54630044000	COLLAR NUT M10 WS=13	4
18	49109481052	HH COLLAR SCREW M 8X16 WS=13	4
19	54310086200	SELF LOCKING NUT M8 10.9	4
20	58403002370	BATTERY BOX 03	1
21	0015060103	HH COLLAR SCREW M 6X10 WS=8	3
22	0021060003	WASHER DIN9021-A 6,4	3
23	43205062100	RUBBER GROMMET 20X15-M6X10 (1)	3
24	0797060003	TOOTH LOCK WASH. DIN6797-A 6,4	2
25	0934060003	HEXAGON NUT DIN0934-M 6	2
26	58403002010	RUBBER GROMMET 20X15-M6X8-(2)	1
27	54603048100	RANGE CHANGE METAL NUT M6	1
30	0912100250	AH SCREW DIN6912-M10X25,10.9,L	2
32	58403014000	ENGINE BRAC.SCREW M10X160 WS13	1
33	31004001100	WASHER 10,5 X 21 X 3	1
34	54606004000	PLUG 37MM	1
35	54606004100	PLUG 37MM PERFORATED 04	1
36	55007016001	PVC-HOSE 7X10 PER METER	x
37	50303089000	ANGEL PIECE '97	1
38*	58403038100	FOOTREST BRACKET LEFT ALU 05	1
40	59003040250	FOOT PED L/S SILVER 02	1
40	59003041250	FOOT PED R/S SILVER 02	1
41	60003040010	FOOTREST RUBBER FRONT L/S 03	1

05582030 / C065820300

* NEW PART

X AS REQUIRED

FRAME, SUB FRAME

640 LC4 ADVENTURE EU 2006

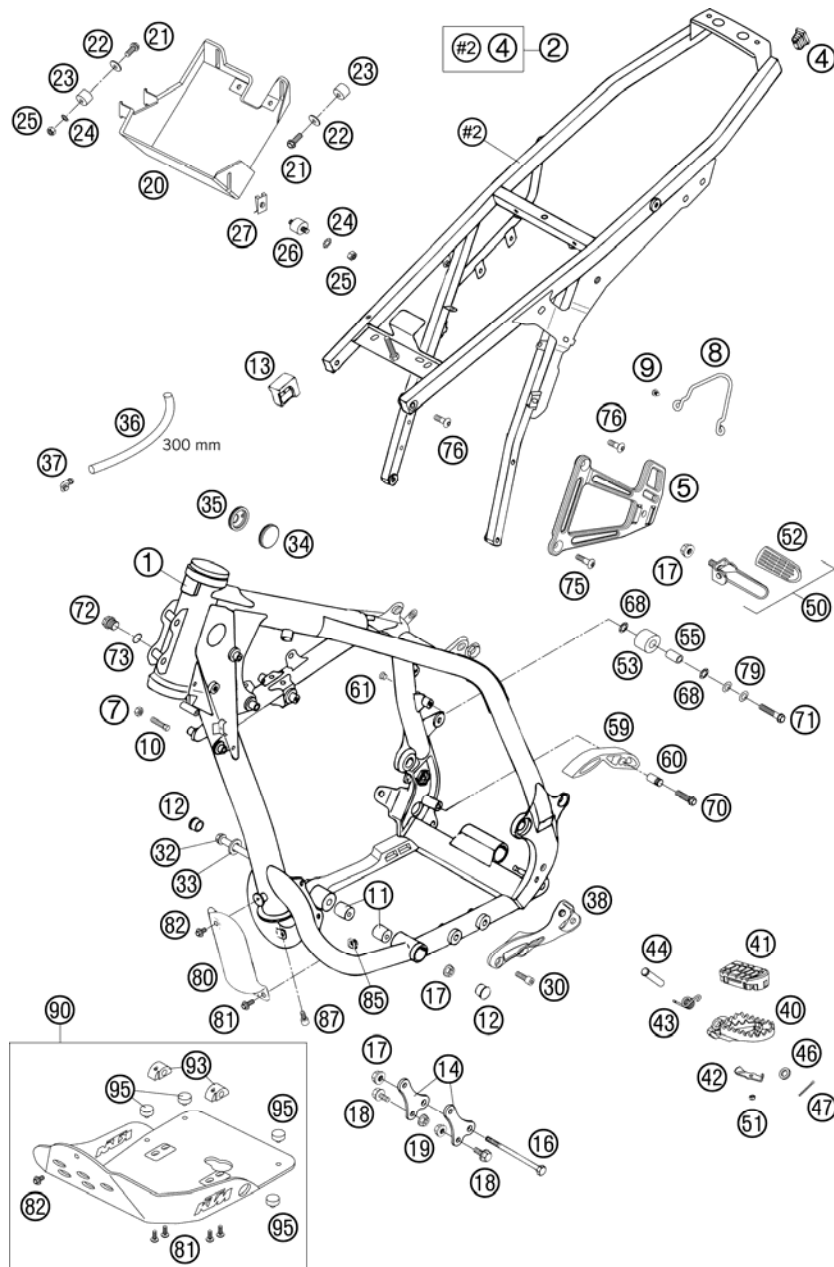


FIG	PART NUMBER	DESCRIPTION	QTY
41	60003041010	FOOTREST RUBBER FRONT R/S '03	1
42	60003044010	CLOSING PANEL FRONT L/S R/S '03	2
43	54603041000	FOOTREST SPRING L/S & R/S	2
44	54803044000	BOLT FOR FOOT PED '03	2
46	0125100003	WASHER DIN0125-A10,5	2
47	0094032253	PIN DIN0094-3,2X25 STEEL	2
50	58303050044	FOOTREST REAR L/S CPL. '95	1
50	58303150044	FOOT REST REAR R/S CPL. '95	1
51	0985050003	SELF LOCKING NUT DIN0985-M 5	2
52	58303051000	FOOTREST RUBBER L/S&R/S DUKE95	2
53	58403060000	CHAIN ROLL 12X29X22,5 '98	1
55	58403060065	BUSH CHAIN ROLL 8X12X23 '98	1
59	51103053000	CHAIN SLIDING PIECE BELOW '97	1
60	51103053051	BUSHING 8,2X10X20	1
61	54403135000	PLASTIC CAP SFL10	1
68	36003014000	LOCK WASHER 8MM	2
70	0015080303	HH COLLAR SCREW M 8X30 WS=10	1
71	0015080453	HH COLLAR SCREW M 8X45 WS=10	1
72	0910160153	PLUG DIN0910-M16X1,5	1
73	0603162220	CU-SEAL RING 16X22X2	1
75	54510052200	AH SCREW 8X29 FL.HEAD '04	2
76	54510052100	SPROCKET SCREW-AH M8X26 WS=6	4
79	0125080003	WASHER DIN0125-A 8,4	2
80	58303010000	COVER OIL FILTER '94	x
81	0014060153	HH COLLAR SCREW M 6X15 WS=8	x
82	0014060103	HH COLLAR SCREW M 6X10 WS=8	1
85	50235033300	SNAP-NUT HOLDER M6 KP142	x
87	0984060103	AH SCREW DIN7984-M 6X10	1
90	58412099044	SKID PLATE LIMITED CPL. '97	1
93	58003012200	ENGINE PROTECTOR BRACKET '97	2
95	54308042000	RUBBER BUFFER	4

05582030 / C065820300

* NEW PART

X AS REQUIRED

CENTER STAND

640 LC4 ADVENTURE EU 2006

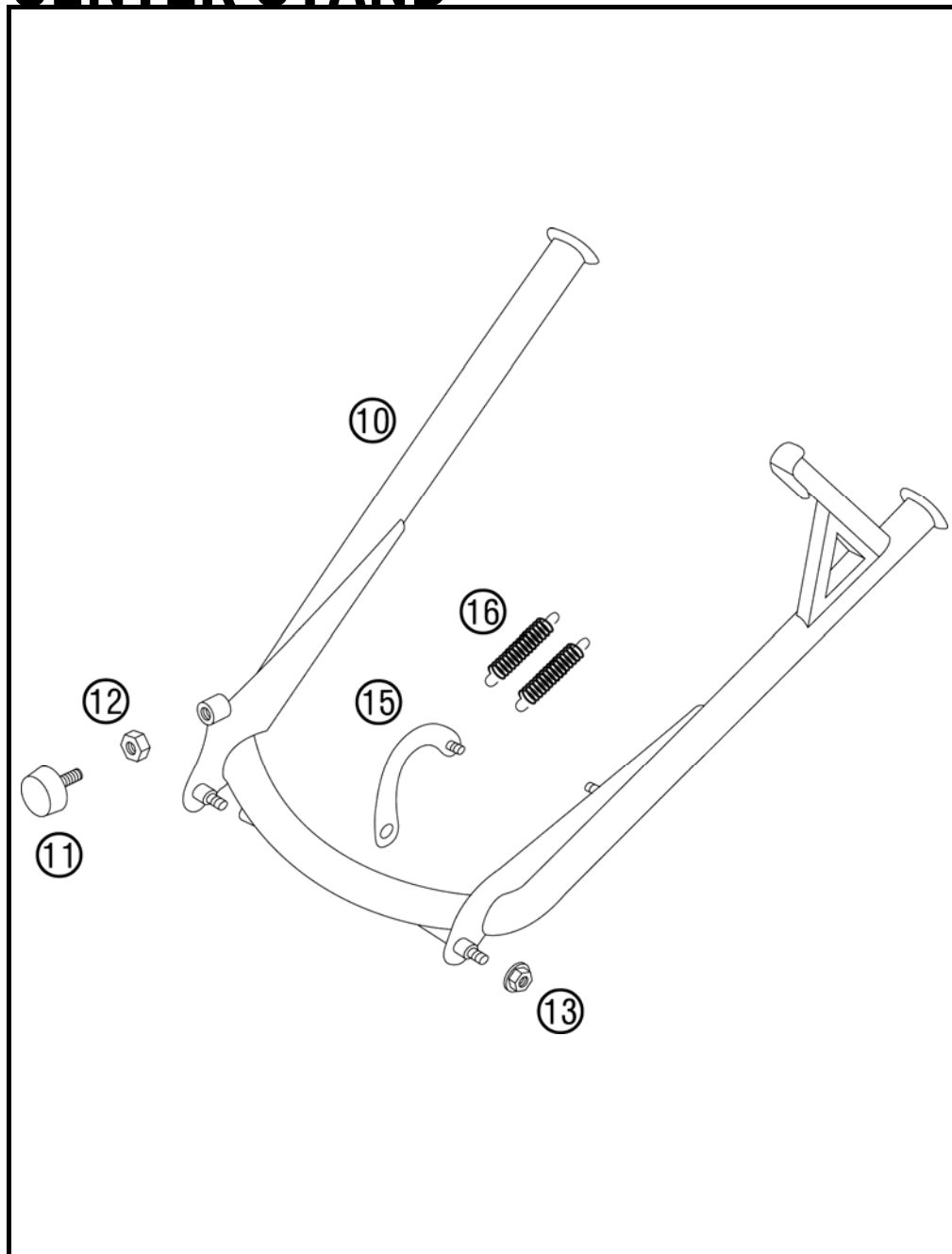


FIG	PART NUMBER	DESCRIPTION	QTY
10*	5750302210030	CENTER STAND 378MM BLACK 06	1
11	58303070000	STOP RUBBER M8	1
12	0934080003	HEXAGON NUT DIN0934-M 8	1
13	54310086200	SELF LOCKING NUT M8 10.9	2
15*	5830302700030	SPRINGBOW BLACK '93	1
16	10003021000	STAND SPRING SHORT	2

05582031 / C065820301

* NEW PART

X AS REQUIRED

SWING ARM

640 LC4 ADVENTURE EU 2006

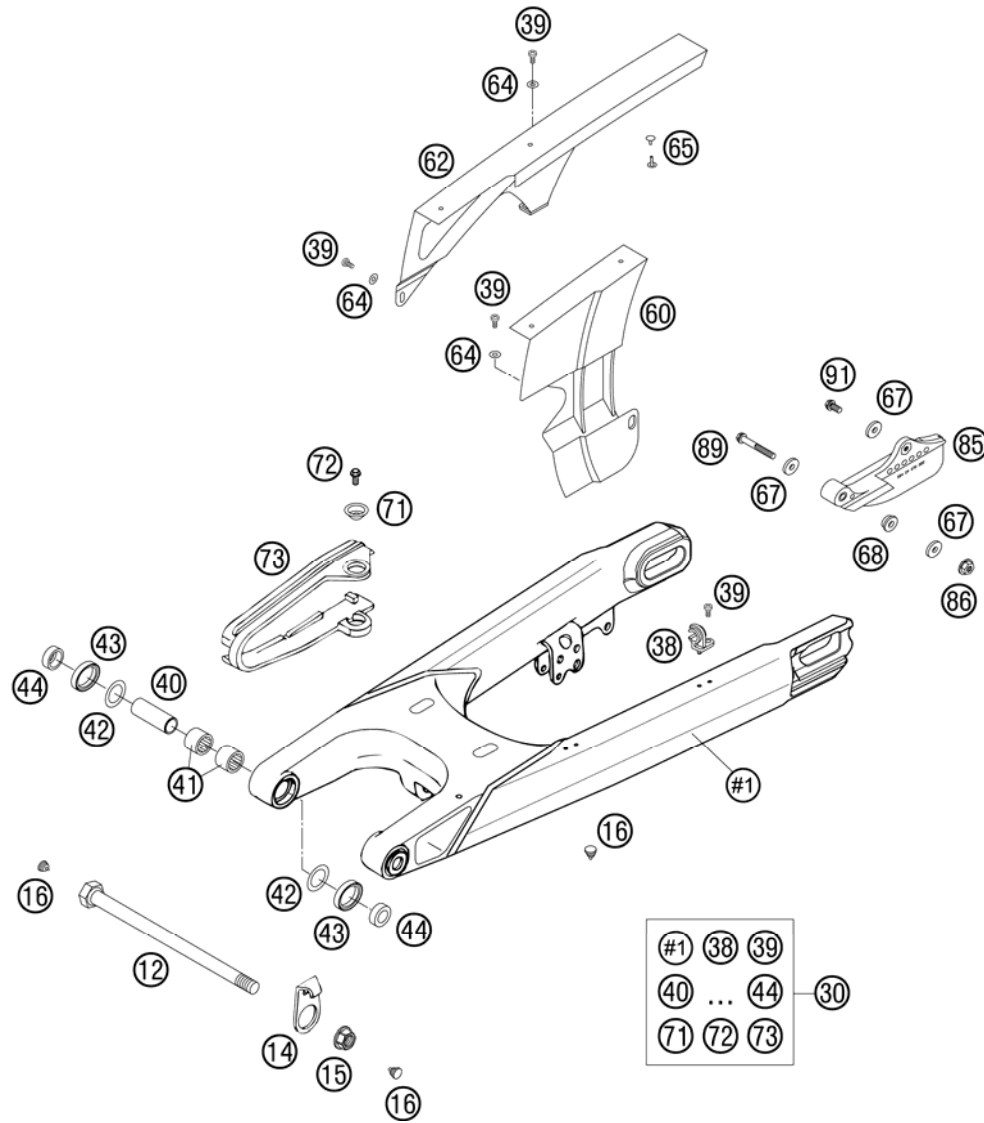


FIG	PART NUMBER	DESCRIPTION	QTY
12	54603014100	SWINGARM BOLT KPL. L=253	1
14	50230211000	BRAKE HOSE GUIDE '89	1
15	54603015000	SELF LOCKING NUT M14X1,5 WS=19	1
16	54403135000	PLASTIC CAP SFL10	x
30	58404030344	SWINGARM CPL. LC4 03	1
38	54611076100	RETAIN.CLAMP FOR BRAKE HOSE'96	2
39*	0009050103	SPECIAL SCREW M 5,0X10	5
40	50203081700	BUSHING SLEEVE 15X20X38,75	2
41	59004031000	NEEDLE BUSH HK2012V	4
42	59004033100	WASHER 20X32X0,8	2
43	0760253270	SHAFT SEAL RING 25X32X7	4
44	54603090000	BUCKET F.SHAFTSEALRING 15X25X9	4
60	58307060000	CHAINGUARD SMALL '96	1
62	58307060250	CHAINGUARD LARGE 03	1
64	0021050003	WASHER DIN9021-A 5,3	3
65	20012062055	HOLLOW RIVET TWO PARTS	2
67	50232050003	STEEL WASHER 6,2X18X2 DACROMET	3
68	58404060150	COLLARED BUSH 6,2X10X20X6 03	1
71	72210079000	BUCKET	2
72	0015060103	HH COLLAR SCREW M 6X10 WS=8	2
73	58307073000	CHAIN SLIDING GUARD DUKE'94	1
85	58404070000	CHAIN GUIDE CPL. REAR LC4 '98	1
86	56509064100	SELF LOCKING NUT M6 10.9	1
89	0015060553	HH COLLAR SCREW M 6X55 WS=8	1
91	0015060163	HH COLLAR SCREW M 6X16 WS=8	1

05583041 / C065820400

* NEW PART

X AS REQUIRED

PRO LEVER SYSTEM

640 LC4 ADVENTURE EU 2006

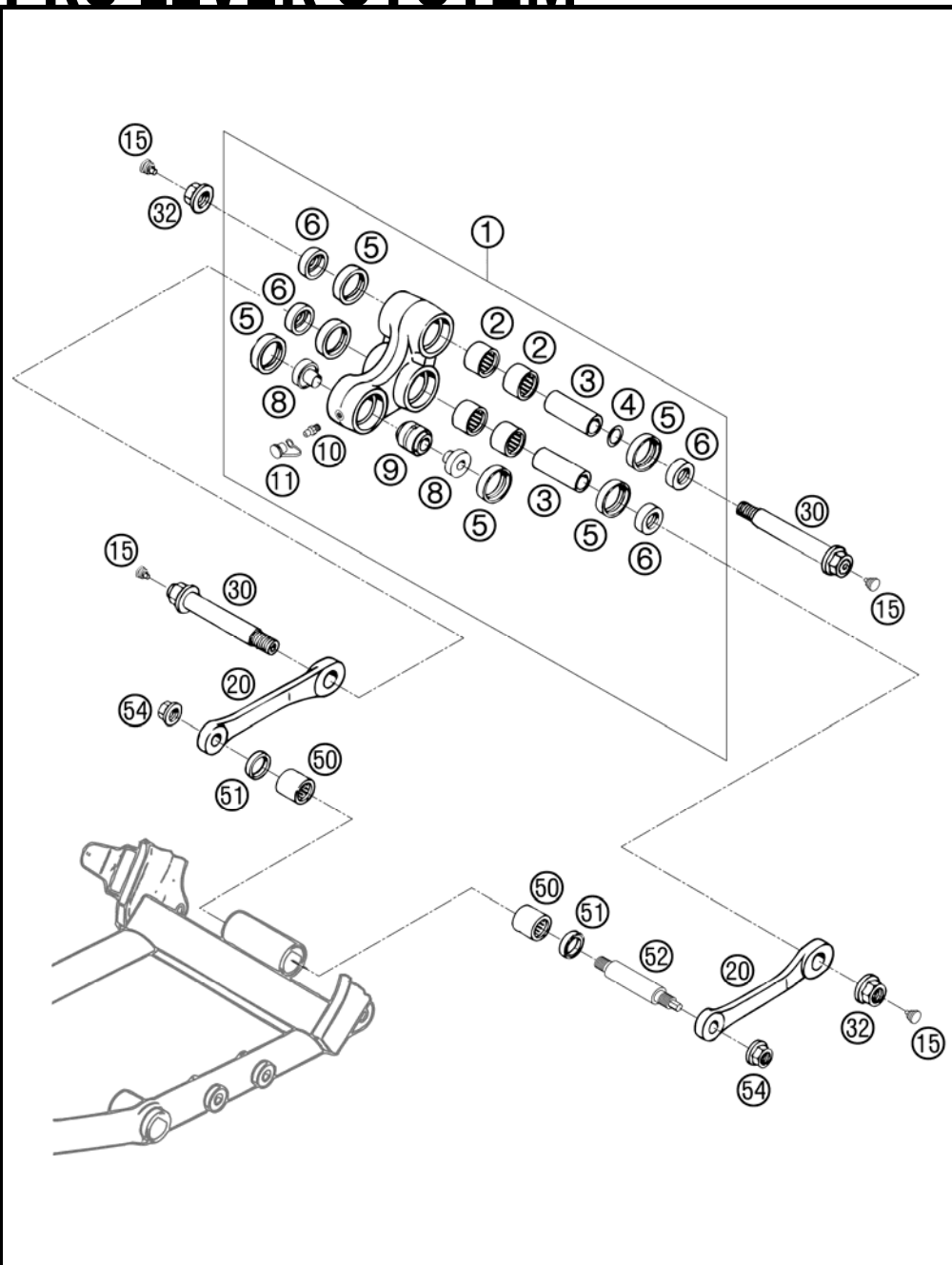


FIG	PART NUMBER	DESCRIPTION	QTY
1	58303080244	ROCKER ARM CPL. FORGED LC4 '99	1
2	54603097000	NEEDLE BUSH HK 2016	4
3	54603081000	BUSHING SLEEVE 15 X 20 X 48	2
4	54603090010	STEEL WASHER 15,2X19X0,1	x
4	54603090020	STEEL WASHER 15,2X19X0,2	x
4	54603090030	STEEL WASHER 15,2X19X0,3	x
5	0760253270	SHAFT SEAL RING 25X32X7	6
5	58303090000	SPAC.F.SHAFT SEALRING 15X25X11	4
8	58303085100	BUSHING FOR BEARING LINK '95	2
9	54203083050	LINK BEARING 12X25X22(16-1061)	1
10	72003035000	GREASE FITTING M6 STRAIGHT	1
11	53003099000	CAP WITH LOOP RED	1
15	54403135000	PLASTIC CAP SFL10	4
20	58303083000	LINKAGE ARM L=127MM '93	2
30	54603182044	BOLT CPL. 15X98MM / M14X1,5	2
32	54603015000	SELF LOCKING NUT M14X1,5 WS=19	2
50	56503195100	NEEDLE BEARING HK 1816	2
51	0760182442	SHAFT SEAL RING 18X24X4	2
52	58303084100	BUSHING BOLT CONNECTING BAR'96	1
54	49103415000	SELF LOCK. NUT M12X1,75 WS=19	2

05583040 / C065820401

* NEW PART

X AS REQUIRED

SHOCK ABSORBER

640 LC4 ADVENTURE EU 2006

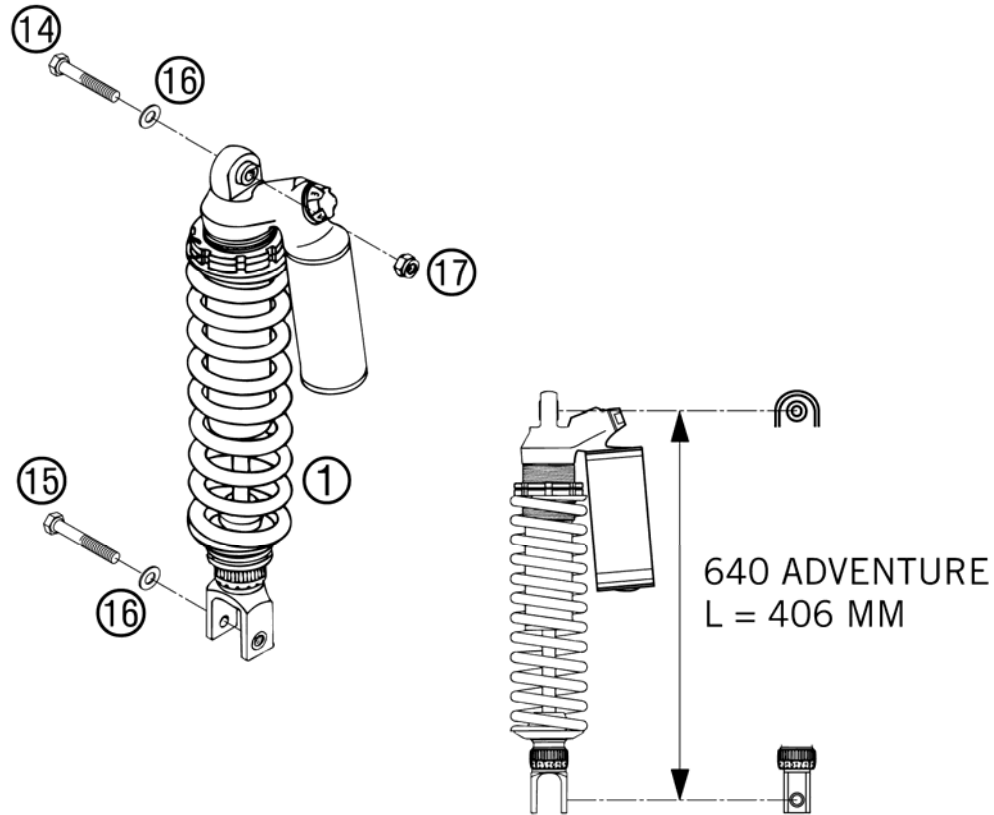


FIG	PART NUMBER	DESCRIPTION	QTY
1*	01187B04	MONOSHOCK 4681 BAVP ADVENT. 06	1
14	56503086000	SPECIAL SCREW M10X47 WS=17	1
15	56503093000	SPECIAL SCREW M10X55 WS=17	1
16	0125100003	WASHER DIN0125-A10,5	2
17	54310086100	SELF LOCKING NUT M10 CU WS=14	1

05582040 / C065820402

* NEW PART

X AS REQUIRED

SHOCK ABSORBER DISASSEMBLED

640 LC4 ADVENTURE EU 2006

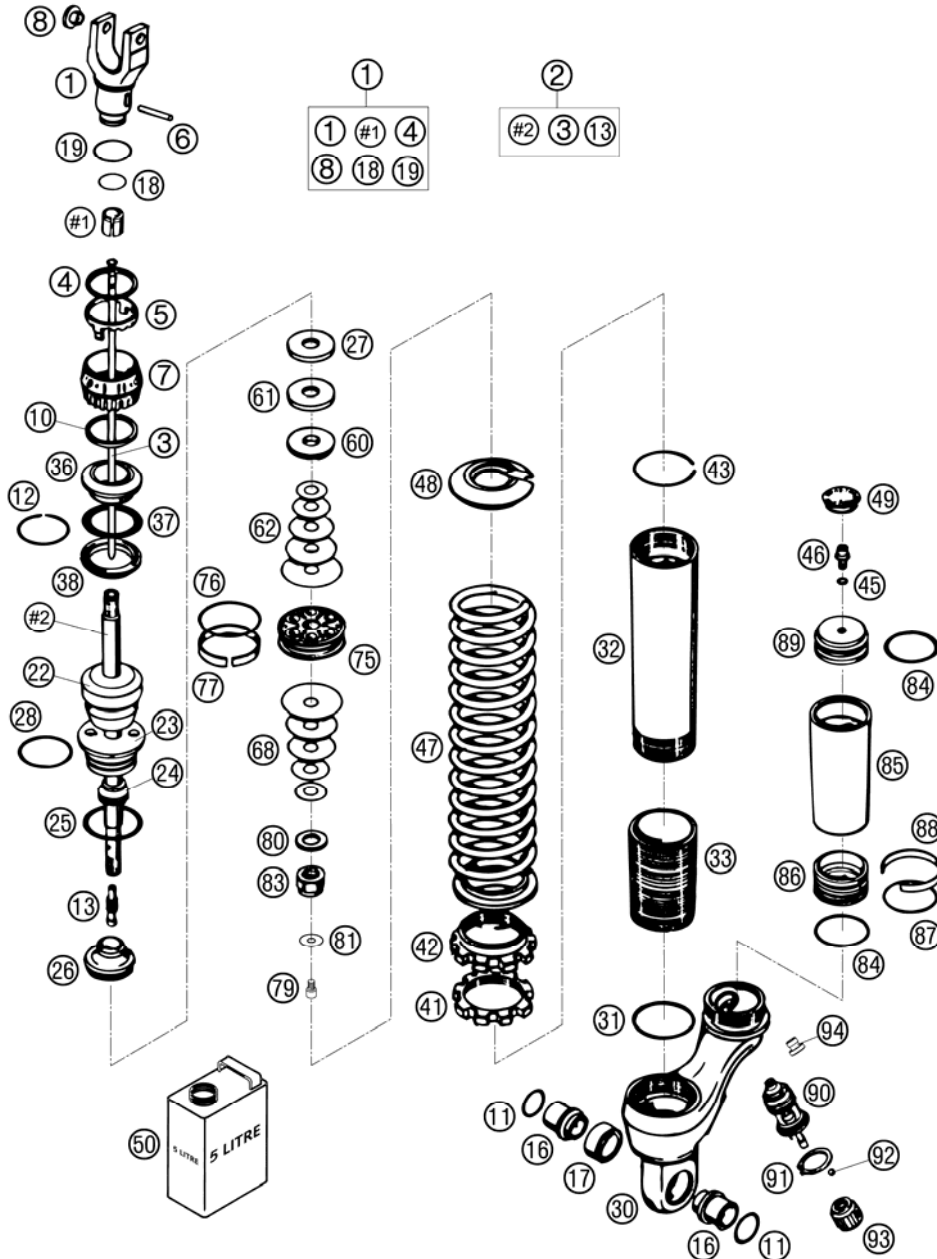


FIG	PART NUMBER	DESCRIPTION	QTY
1*	46811558S	SHOCK ABS. BOTTOM-FORK L75B	1
2*	46811560S2	PISTON ROD D=14 BA M14X1	1
3	46811545S	NEEDLE CPL. D=4 BA, L=183	1
4	46811222	O-RING 36X0,5	1
5	46811263	WASHER	1
6	46811261	PIN 4X35	1
7	46811262	ADJ. KNOB D=41	1
8	46811205	ADAPTOR-BUSH M10x1,50, D=15	1
10	46811221	O-RING 35X3	1
11	46811050	SEAL KGW	2
12	46811268	CIRCLIP 22X1,2	1
13	46811259	NEEDLE SEAT 5X17,25	1
16	46811078	ADAPTOR KGW 10X24	2
17	46811027	BUSHING KGW 1525	1
18	46811499	O-RING NBR 21X2	1
19	46811500	O-RING NBR 32X1,5	1
22	46810365	BUMP RUBBER WP55 WHITE	1
23	46811045	SCREW CAP M47,4, H=22,5	1
24	46811044	DUST SEAL 1424	1
25	46810325	O-RING 35X5	1
26	46811540S1	ADAPTER CPL. D=46, H=23 BA	1
27	46811002	SPACER 35X14X2	1
28	46811042	O-RING 40,00X2,00 WP	1
30	46811481	SHOCK ABSORB. TOP H-35/79 84	1
31	46810016	O-RING NBR 48X2	1
32	46810093	TUBE L=180	1
33	46810346	THREADED BUSH L=60 BLACK	1
36	46811561	BUSHING RING D=55X19	1
37	46811512	O-RING NBR 32X8	1
38	46811511	SUPPORT RING D=55X7,5	1
41	46810109	COUNTERNUT	1
42	46810108	ADJUSTING NUT	1
43	46810010	CIRCLIP 49X1,5	1
45	46810893	O-RING NBR 5,28X1,78	1
46	36120151	SCREW PLUG M5X6	1
47	91010253	SPRING 66-260 59	x

065820403 / C065820403

* NEW PART

X AS REQUIRED

SHOCK ABSORBER DISASSEMBLED

640 LC4 ADVENTURE EU 2006

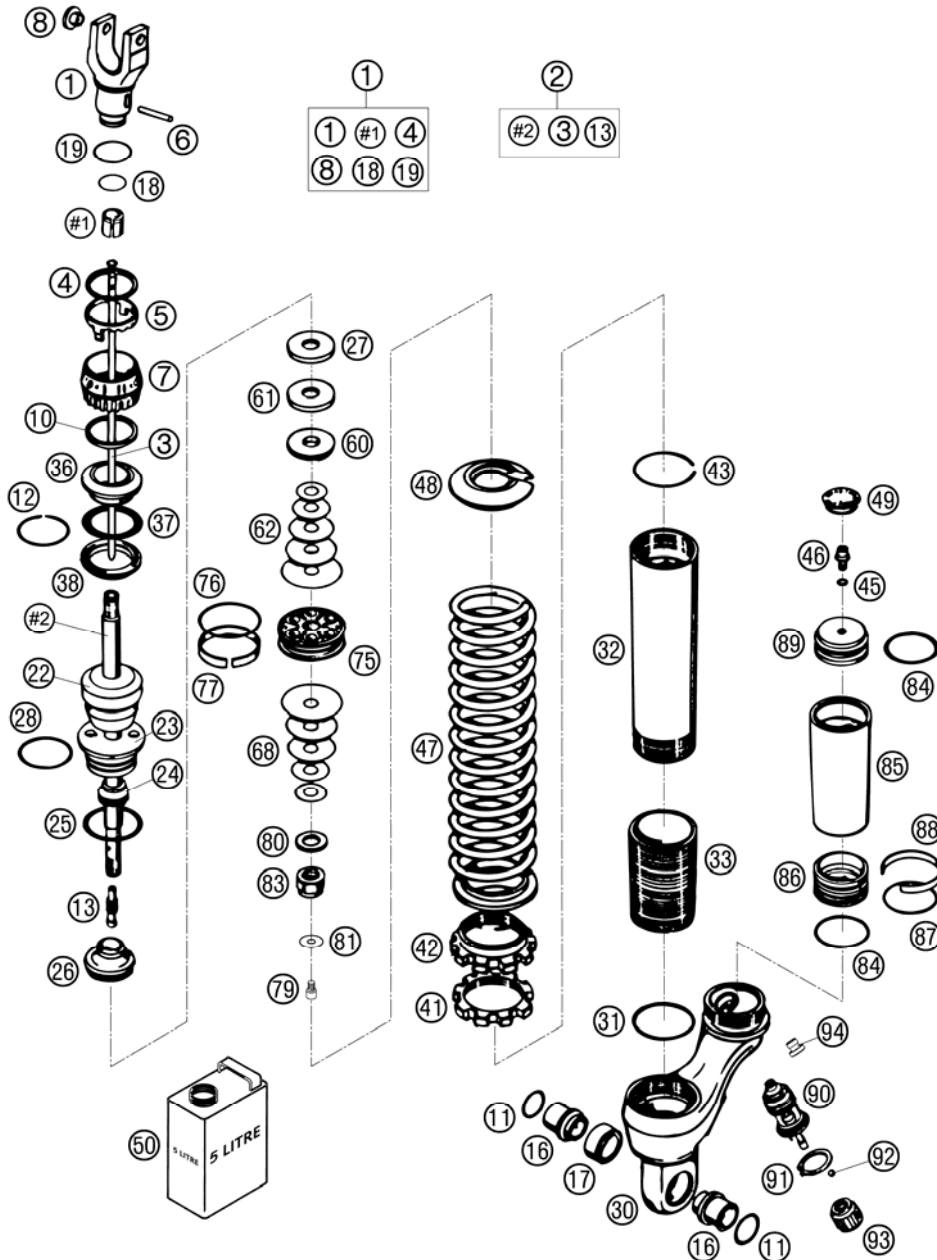


FIG	PART NUMBER	DESCRIPTION	QTY
47	91010110	SPRING 70-260 (59), D=12	1
47	91010111	SPRING 75-260 (59)	x
48	46810063	SPRING RETAINER D=58,H=13,L=15	1
49	46811208	RUBBER CAP "DO NOT OPEN"	1
50*	50180466S1	SHOCK ABSORBER FLUID 5 LT 05 0,33 L	1
60	46811216	REBOUND BUSH PLANE H=6,5	1
61	46811005	SPACER 35X14X10	1
62	46810491	SHIM 12X26X0,20	1
62	46810492	SHIM 12X28X0,20	1
62	46810493	SHIM 12X30X0,20	1
62	46810498	SHIM 12X40X0,20	2
62	46810507	SHIM 12X40X0,25	1
62	46810521	SHIM 12X32X0,15	1
62	46810522	SHIM 12X34X0,15	1
62	46810523	SHIM 12X36X0,15	1
62	46810524	SHIM 12X38X0,15	1
62	46810606	SHIM 12X22X0,10	1
62	46810610	SHIM 12X27X0,15	1
68	46810491	SHIM 12X26X0,20	1
68	46810492	SHIM 12X28X0,20	1
68	46810493	SHIM 12X30X0,20	1
68	46810520	SHIM 12X30X0,15	2
68	46810521	SHIM 12X32X0,15	2
68	46810607	SHIM 12X23X0,10	1
68	46810641	BACKPLATE 12X21X0,30	1
75	46811218	PISTON 6+6XD=7 BA	1
76	46810035	O-RING VITON 37,82X1,78	1
77	46811206	PISTON RING 8X46	1
79	46180056	BLEED SCREW M6	1
80	46811258	RING 12X24X2,5	1
81	40540403	SHIM 6X18X0,1	4
83	46180060	PISTON ROD NUT CPL. M12X1	1
84	46810340	O-RING NBR 45X2	2
85	46811453	RESERVOIR SCREW L=123 GREY	1
86	46810322	SEPARATION PISTON D=46	1

065820403 / C065820403

* NEW PART

X AS REQUIRED

SHOCK ABSORBER DISASSEMBLED

640 LC4 ADVENTURE EU 2006

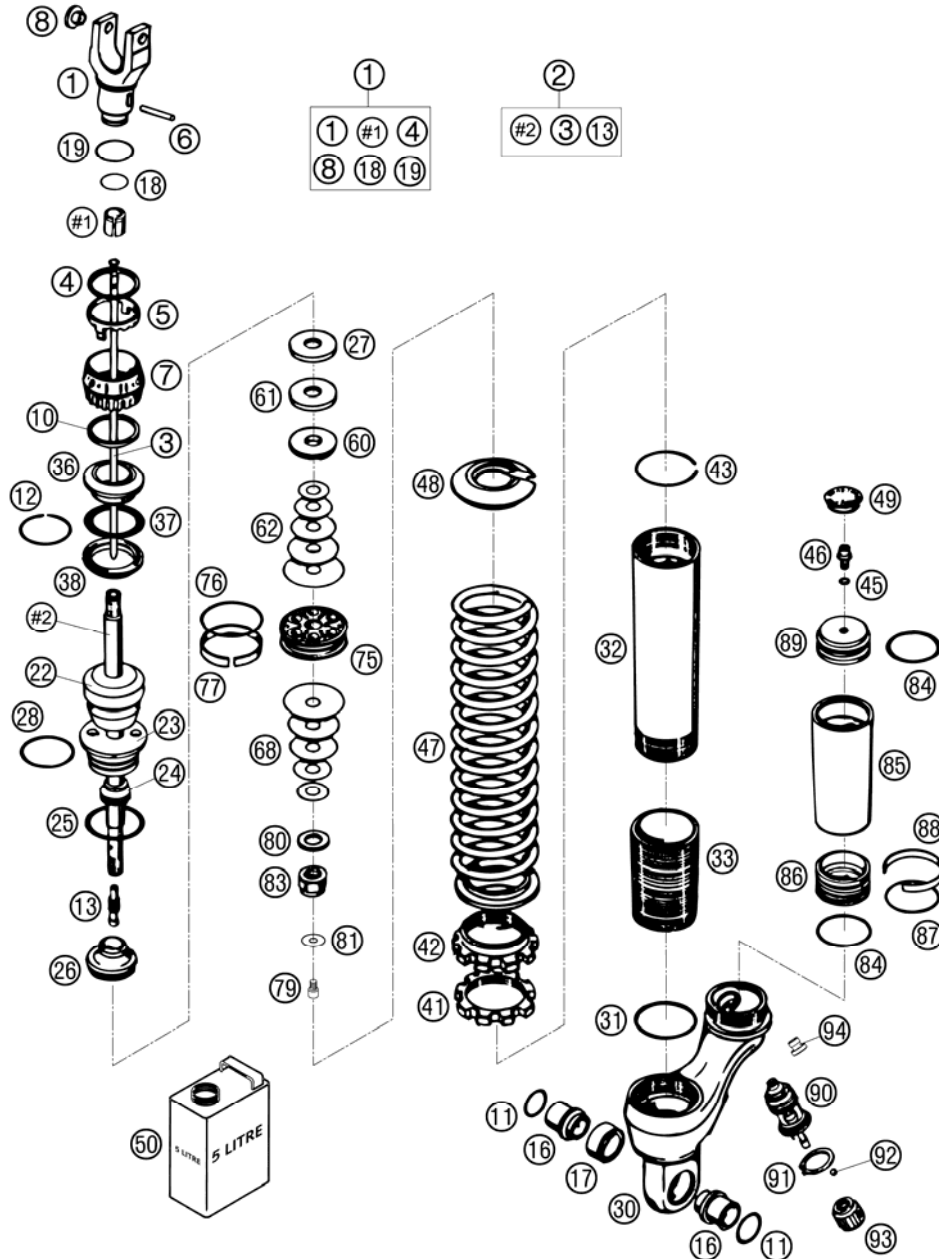


FIG	PART NUMBER	DESCRIPTION	QTY
87	46811043	O-RING VITON 35X5	1
88	46810324	PISTON RING 3,9X1,5X138	1
89	46811209	RESERVOIR CAP D=46	1
90	46811539S	CC-COMPRE.DAMPING CONTROL CPL.	1
91	46810334	LOCK WASHER JV24	1
92	46810333	STEEL-BALL D=4,75	1
93	46811272S	ADJUSTING KNOB CC-MECH. CPL.	1
94	50180095	BLEED PLUG R 1/8	1

065820403 / C065820403

* NEW PART

X AS REQUIRED

MAINFOLD

640 LC4 ADVENTURE EU 2006

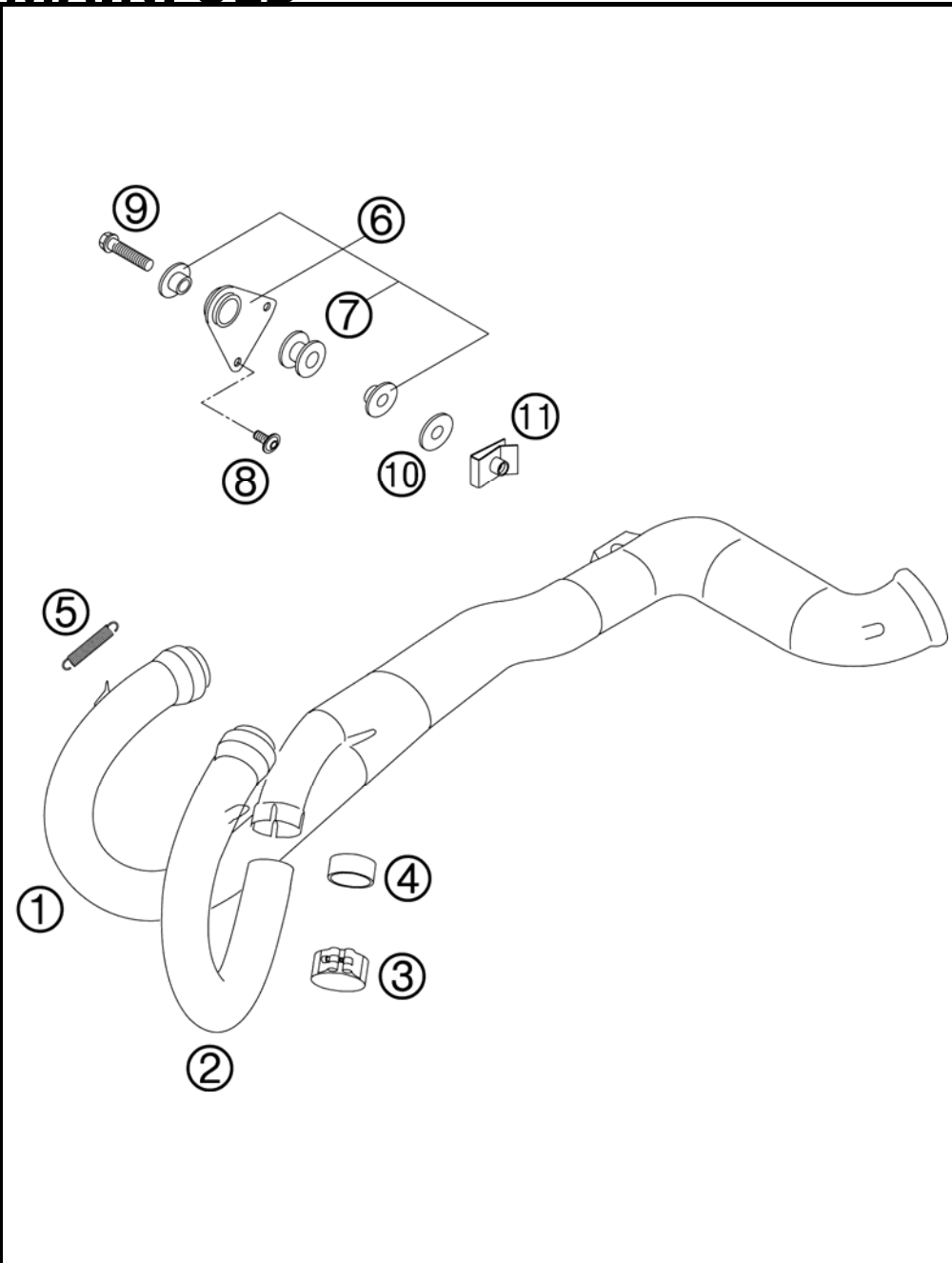


FIG	PART NUMBER	DESCRIPTION	QTY
1	58405008500	EXHAUST PIPE R/S 03	1
2	58405007400	EXHAUST PIPE L/S 03	1
3	58405058100	COLLECTOR CLAMP D=41MM 03	1
4	58405005100	GRAPHIT RING 34X39X20MM 03	1
5	50305016000	TEN.SPRING L=62MM EY.MOVEABLE	4
6*	5830506504430	BRACKET-PRE SILENCER CPL.BLACK	1
7	54305068100	DAMP. COMPONENT SILICONE GREY	1
8	0738060181	COU.SUNK SCR. AH ISO7380 M6X18	2
9	0015080353	HH COLLAR SCREW M 8X35 WS=10	1
10	51005067000	INSOLATE WASHER 8,5X28X3	1
11	54603048000	RANGE CHANGE METAL NUT M8	1

05583050 / C065820500

* NEW PART

X AS REQUIRED

MAINFOLD, SILENCER

640 LC4 ADVENTURE EU 2006

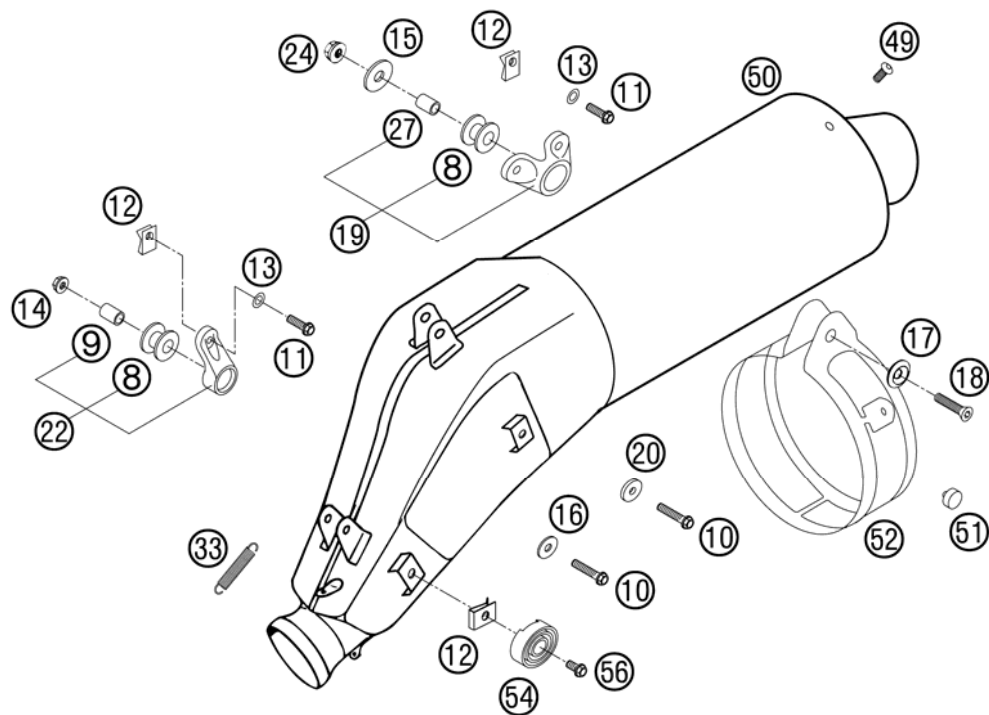


FIG	PART NUMBER	DESCRIPTION	QTY
8	54305068100	DAMP. COMPONENT SILICONE GREY	3
9	54305069000	BUSHING 7X12X15,4	2
10	0015060303	HH COLLAR SCREW M 6X30 WS=8	2
11	0015060203	HH COLLAR SCREW M 6X20 WS=8	4
12	54603048100	RANGE CHANGE METAL NUT M6	6
13	0137060003	SPRING WASHER DIN0137-B 6	4
14	56509064100	SELF LOCKING NUT M6 10.9	2
15	0021080003	WASHER DIN9021-A 8,4	1
16	0021060003	WASHER DIN9021-A 6,4	1
17	58303061000	SPECIAL WASHER ALU 8 X 24 MM	1
18	0991080353	FLAT HEAD SCREW DIN7991-M 8X35	1
19	58405085044	SILENCER BRACKET CPL. 2001	1
20	50232050001	STEEL WASHER 6,4X17X3	1
22	58305165244	SILENCER BRACKET CPL. SHORT'96	2
24	54310086200	SELF LOCKING NUT M8 10.9	1
27	56505069000	SPACER BUSHING 8,4X12X16	1
33	50305016000	TEN.SPRING L=62MM EY.MOVEABLE	2
49	0902060083	AH OVAL SCREW ISO 7380 M 6X8	3
50	58405083300	SILENCER HGS-4 04	1
51	54308042000	RUBBER BUFFER	1
52	58405161100	RETAIN CLAMP F.HGS4-SILENC. 04	1
54	58405098100	RUBBERBUFFER F. SILENCER 2000	2
56	0015060123	HH COLLAR SCREW M 6X12 WS=8	2

05584051 / C065820501

* NEW PART

X AS REQUIRED

AIR FILTER BOX

640 LC4 ADVENTURE EU 2006

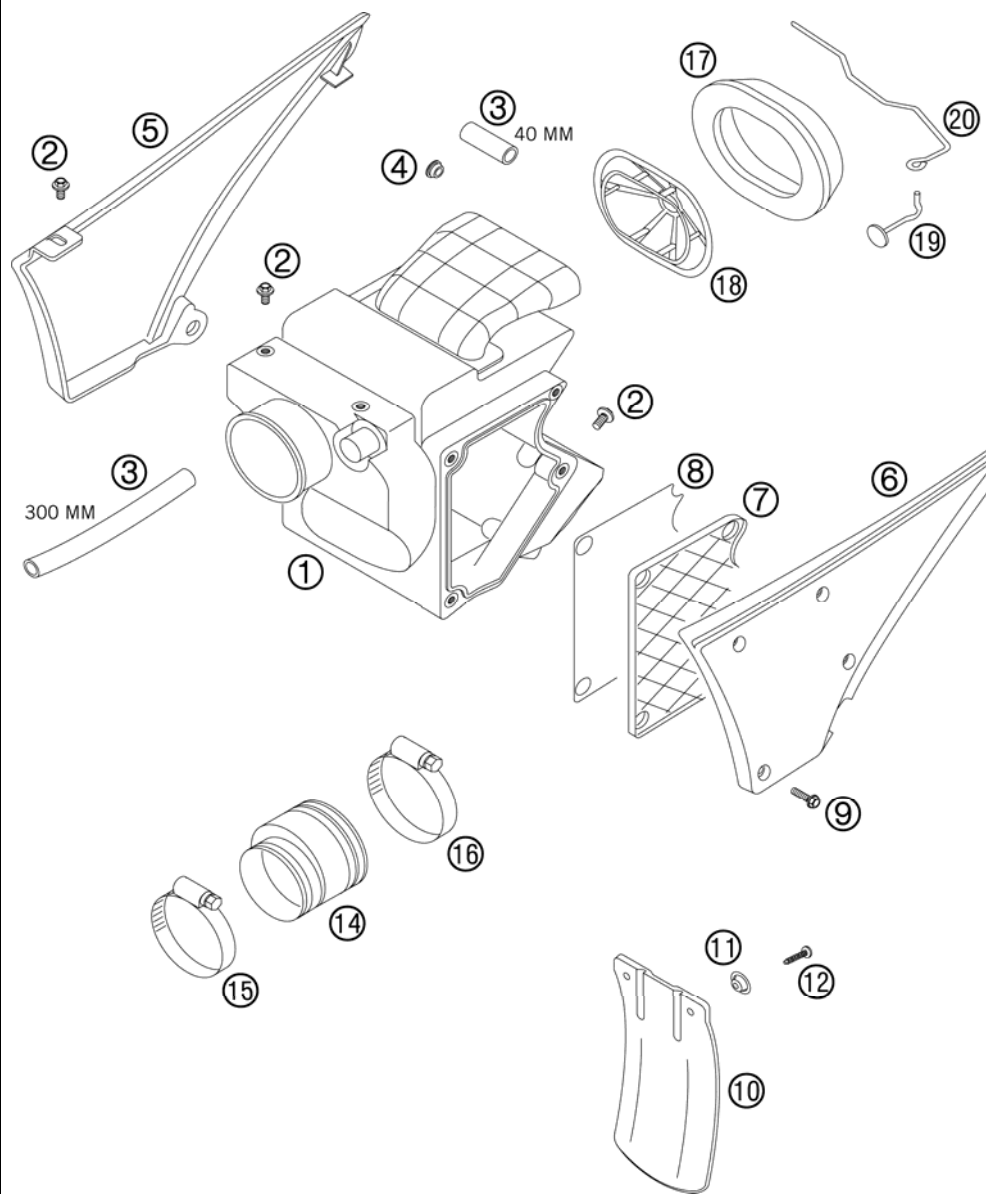


FIG	PART NUMBER	DESCRIPTION	QTY
1	58406001200	FILTER BOX E-START 03	1
2	0014060103	HH COLLAR SCREW M 6X10 WS=8	5
3	57005020001	HOSE 10X14 PER METER	x
4	36111021000	PLUG	1
5	58406004000	FILTER BOX COVER R/S LC4'98	1
6	58406003100	FILTER BOX COVER L/S LC4'98	1
7	58406003150	CARRIER FILTER BOX GASKET '98	1
8	58406090100	GASKET FILTER BOX COVER LC4'98	1
9	0015050203	HH COLLAR SCREW M 5X20 WS=8	4
10	54606010000	SPLASH PROTECT.FOR FILTER BOX	1
11	72210079000	BUCKET	2
12	0017060203	EJOT PT SCREW K60X20 WS=6	2
14	58406026000	AIR FILTER BOOT 400/640 LC4'97	1
15	51006027000	HOSE CLAMP 50-70MM	1
16	55006028000	HOSE CLAMP 60-80MM	1
17	58406015100	AIRFILTER	1
18	58406016000	FILTER CARRIER '97	1
19	58406017050	HOOK F.HOLDING HANG.FILTER '97	1
20	58406017100	HOLDING HANGER FOR FILTER '98	1

05584060 / C065820600

* NEW PART

X AS REQUIRED

TANK, SEAT, COVER

640 LC4 ADVENTURE EU 2006

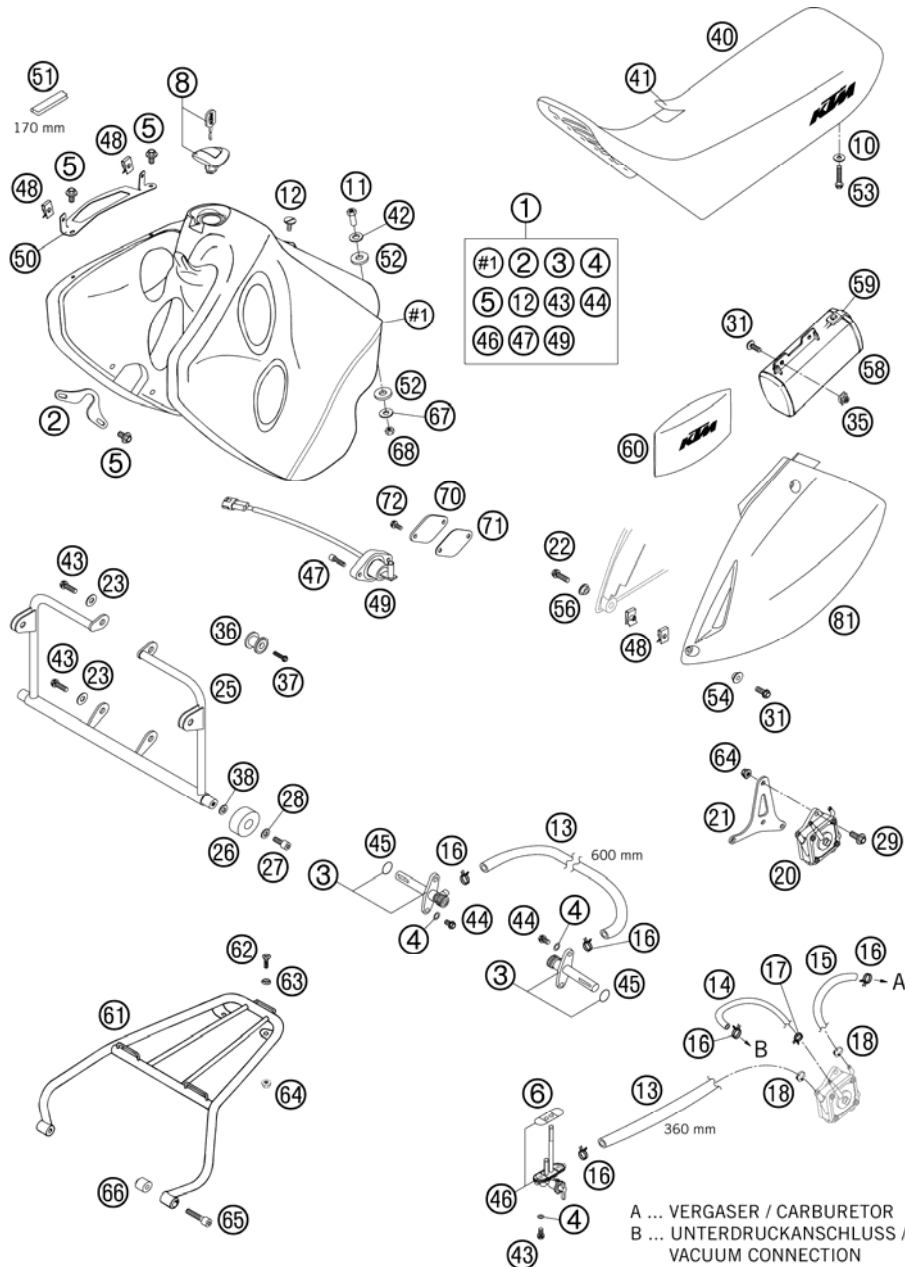


FIG	PART NUMBER	DESCRIPTION	QTY
1*	5820701333370B	FUEL TANK LC4-ADV. CPL. 06 DECAL TAKE IN	1
2	58507023000	BRACKET FOR 30 LITER TANK	2
3	58507003000	FUEL COCK CPL. SMALL RALLYE'96	2
4	0603061001	CU-SEAL RING DIN7603-6X10X1	6
5	0014060103	HH COLLAR SCREW M 6X10 WS=8	8
6	58307106100	GASKET FUEL COCK MIKUNI	1
8	58407008100	TANK PLUG LC4 USA '99	1
10	50232050003	STEEL WASHER 6,2X18X2 DACROMET	1
11	58307014000	SPECIAL NUT M8	1
12	58007044000	OVAL HEAD SCREW M6X15	1
13	54435024001	HOSE ID 7,5 PER METER	1
14	58205035001	HOSE 6X10 PER METER	x
15	58507116100	HOSE OG.ECO 1TBSE 7X13MM	x
16	58007117000	YDNAC-CLAMP 10107 10MM	5
17	58007017000	YDNAC CLAMP 10101 (9MM)	1
18	58007117200	OETIKER HOSE CLAMP 13,3MM	2
20	58512087000	FUEL PUMP MIKUNI DF52-601 01	1
21	58212071300	BRACKET FOR FUEL PUMP 2003	1
22	0015060203	HH COLLAR SCREW M 6X20 WS=8	1
23	0021060003	WASHER DIN9021-A 6,4	4
25*	5851209200030	BRACKET 30LT TANK BLACK 06	1
26	50107015000	TANKROLL 13X36X16	2
27	0912060163	AH SCREW DIN0912-M 6X16	2
28	0125060003	WASHER DIN0125-A 6,4	2
29	0014060153	HH COLLAR SCREW M 6X15 WS=8	2
31	0015060163	HH COLLAR SCREW M 6X16 WS=8	3
35	50235033300	SNAP-NUT HOLDER M6 KP142	2
36	58307113250	TANK BUSHING CPL. 12 X 34 X 25	2
37	0015060253	HH COLLAR SCREW M 6X25 WS=8	2
38	12011016000	WASHER 6 X 12 X 3	2
40	58207040500	SEAT ADVENTURE 2003	1
41	58207040550	SEAT COVER ADVENTURE 2003	1
42	58307019000	WASHER 10,5 X 25 X 1,5	1
43	0015060163	HH COLLAR SCREW M 6X16 WS=8	6
44	0015060103	HH COLLAR SCREW M 6X10 WS=8	4

05582070 / C065820700

* NEW PART

X AS REQUIRED

TANK, SEAT, COVER

640 LC4 ADVENTURE EU 2006

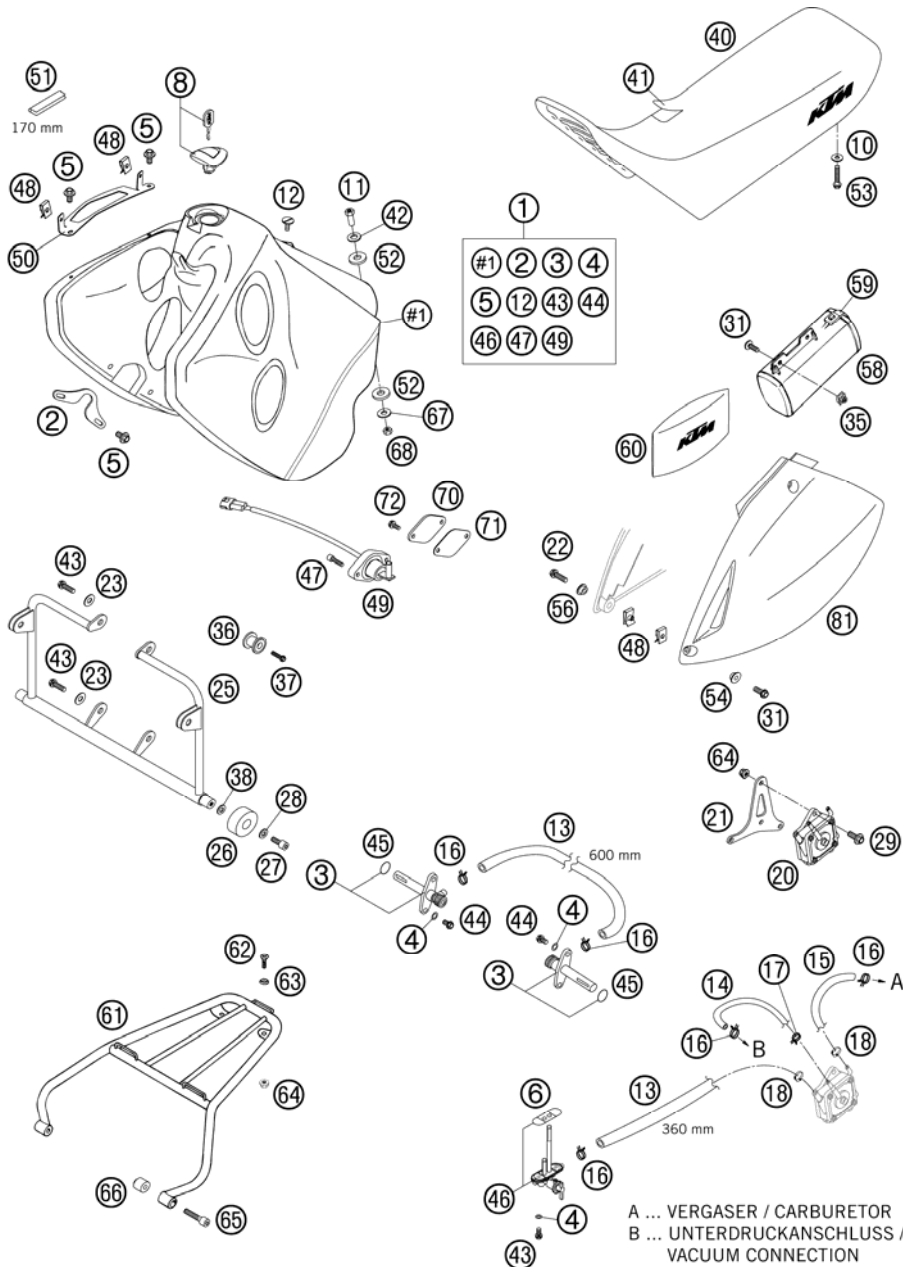


FIG	PART NUMBER	DESCRIPTION	QTY
45	55007006200	O-RING 11X1,8 NBR 70	2
46	51107004000	FUEL COCK CPL.MIKUNI CK-69 '96 ONE CONNECTION	1
47	0912050163	AH SCREW DIN0912-M 5X16	2
48	54603048100	RANGE CHANGE METAL NUT M6	6
49	58207080000	GAS-LEVEL SENSOR ADV. 2002	1
50	58211001160	MASK BRACKET L/S ADV. 01	1
50	58211001161	MASK BRACKET R/S ADV. 01	1
51	58312085100	EDGE PROTECTOR PER METER	1
52	51005067100	INSULATE WASHER 12X28X3	2
53	0015060353	HH COLLAR SCREW M 6X35 WS=8	1
54	50308052000	BUSH FOR SPOILER 6X11X16X5 MM	1
56	50308053000	BUSH FOR SPOILER 6X11X16X7,5	1
58	58012058000	TOOL BOX CPL. '92	1
59	58012058050	RUBBER FOR TOOL BOX '92	1
60	58329099000	ORIGINAL EQUIPMENT TOOL KIT	1
61	5841201020030	BAGGAGE CARRIER BLACK MIL LC4	1
62	0991060203	FLAT H.SCREW DIN7991-M6X20 8.8	2
63	40006006000	WASHER 6MM	2
64	56509064100	SELF LOCKING NUT M6 10.9	4
65	0015060253	HH COLLAR SCREW M 6X25 WS=8	2
66	58412011100	BUSH FOR BAGGAGE CARRIER 2000	2
67	0021080003	WASHER DIN9021-A 8.4	1
68	0934080003	HEXAGON NUT DIN0934-M 8	1
70	58207081000	COVER FOR GAS-LEVEL SENSOR	x
71	58207081050	GASKET FOR COVER	x
72	0015050123	HH COLLAR SCREW M 5X12 WS=8	x
81	5840804100070	SIDE COVER L/S ORANGE 04	1
81	5840804210070	SIDE COVER R/S ORANGE 04	1

05582070 / C065820700

* NEW PART

X AS REQUIRED

MASK, FENDERS

640 LC4 ADVENTURE EU 2006

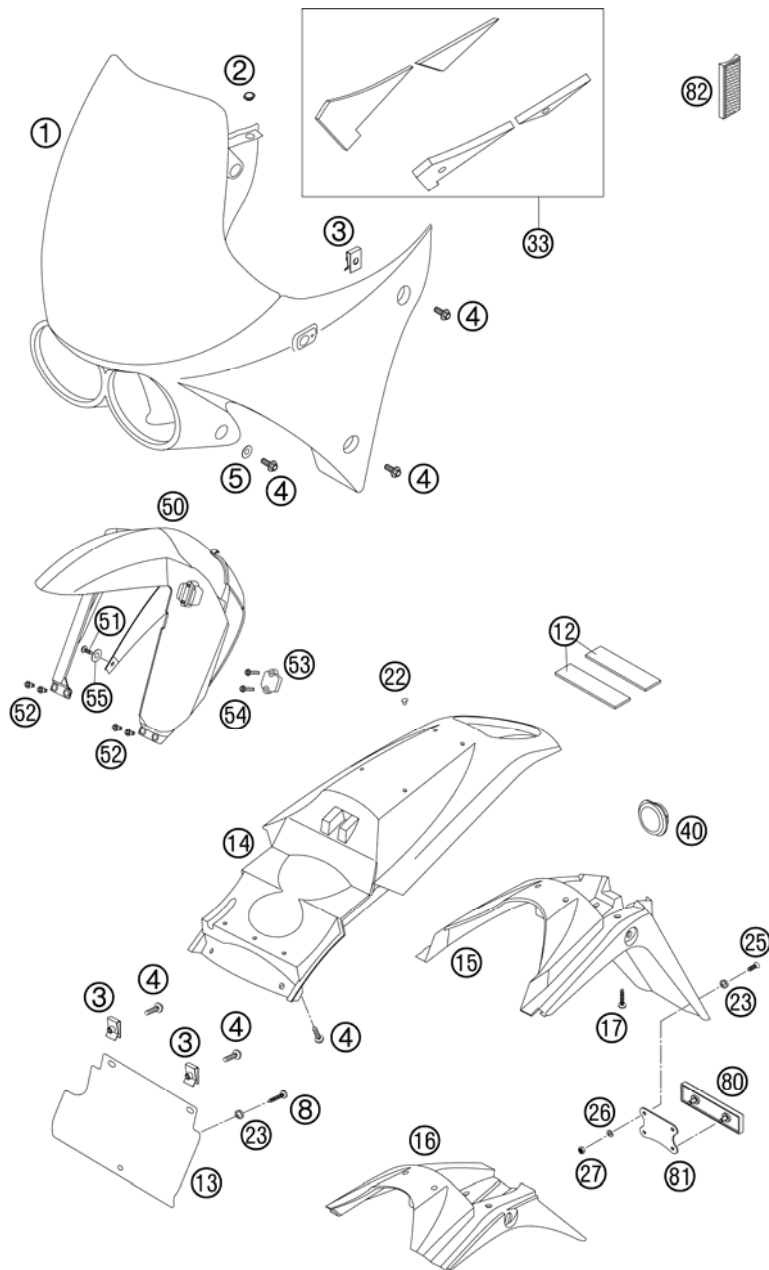


FIG	PART NUMBER	DESCRIPTION	QTY
1	5821100120070	HEAD LIGHT MASK ORANGE 04	1
2	54208042000	RUBBER SLEEVE	4
3	54603048100	RANGE CHANGE METAL NUT M6	8
4	0014060153	HH COLLAR SCREW M 6X15 WS=8	10
5	60007020040	PLASTIC WASHER 03	2
8	0017050181	SCREW FOR PLASTIC D=5X18	1
12	54601097000	RUBBER STRIP 85X25X3 MM	2
13	58308013250	FENDER EXTENSION LC4-E '97	1
14	5840801410070	REAR FENDER ORANGE 04	1
15	58408015000	NUMB.PLATE CARRIER BLACK LC4	1
16	58308015100	NUMB.PLATE CARRIER BLACK SC'99	x
17	0017060203	EJOT PT SCREW K60X20 WS=6	2
22	5840801200004	PLUG REAR FENDER ORANGE 01	x
23	40006006000	WASHER 6MM	3
25	0966050163	OVAL HEAD SCREW DIN0966-M 5X16	2
26	0125050003	WASHER DIN0125-A 5,3	2
27	0985050003	SELF LOCKING NUT DIN0985-M 5	2
33	58211002100	VIEW PROTECTION-SET F. MASK 01	1
40	58414040050	RUBBER FOR FENDER REAR	1
50	6000801000070A	FENDER FRONT ORANGE 05	1
51	0014060133	HH COLLAR SCREW M 6X13 WS=8	2
52	59001092050	SPECIAL SCREW M6X12,5 WS=8	4
53	6000802500070A	CLAMP F.SPEED CABLE ORANGE 05	1
54	0081500181	SCREW FOR PLASTIC D=5X18	2
55*	60007020040	PLASTIC WASHER 03	2
80	58412080000	REFLECTOR RED LC4 '98	1
81	58412080050	BRACKET FOR REFLECTOR	1
82*	60012080000	SIDE REFLECTOR YELLOW 03 ONLY FOR AUS	2

065820800 / C065820800

* NEW PART

X AS REQUIRED

FIG	PART NUMBER	DESCRIPTION	QTY
1*	58207198500	STICKER FILTER BOX ADV. 06	1



065820801 / C065820801

* NEW PART

X AS REQUIRED

FRONT WHEEL

640 LC4 ADVENTURE EU 2006

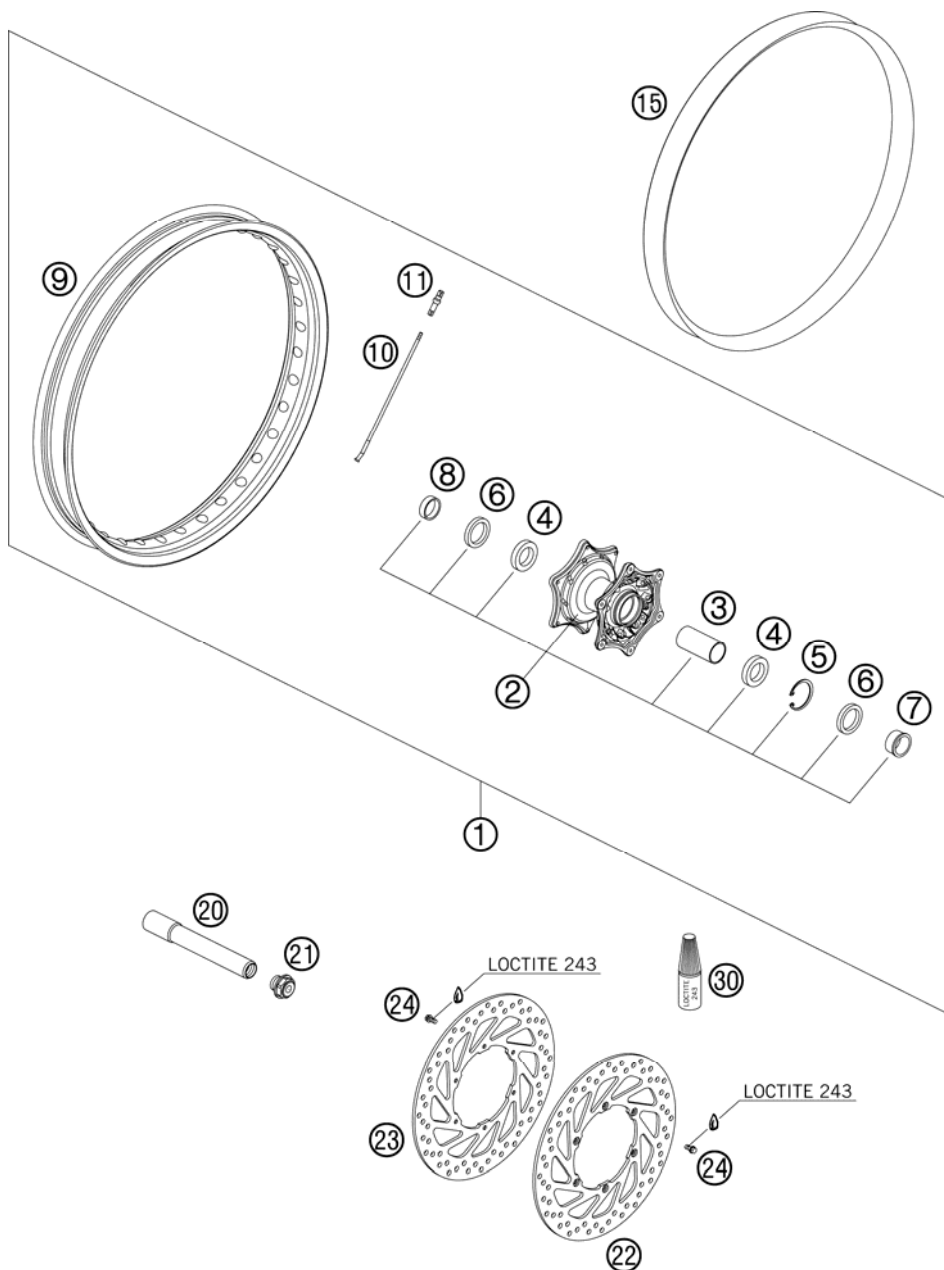


FIG	PART NUMBER	DESCRIPTION	QTY
1	6000900104430	FRONT WHEEL CPL. 2,15X21"BL.03	1
2	60009010044	FRONT HUB CPL. 03	1
3	60009014000	BEAR. SPACERTUBE FRONT 03	1
4	0625069068	GR.BALL BEAR.6906 DDU2CG23S6NM	2
5	0472047175	CIRCLIP DIN0472-47X1,75	1
6	0760354771	SHAFT SEAL RING 35X47X7 TC	2
7	60009012000	SPACER BUSH. FR. WHEEL L/S 03	1
8	60009013000	SPACER BUSH. FR. WHEEL R/S 03	1
9	6000907000030	FRONT RIM 2,15X21 BLACK 03	1
10	60009071000	SPOKE M5X230,5 13,5 DEG	36
11	58309072000	SPOKE NIPPLE M5-TA (8X21MM)	36
15	60009073000	RIM TAPE 21" 28/ 2MM 03	1
20	60009081000	WHEEL SPINDEL FRONT 03	1
21	60009082000	COLLAR SCREW FRONT AXLE 03	1
22	60009060000	BRAKE DISK FR. L/S D=300MM 03	1
23	60009065000	BRAKE DISK FR. R/S D=300MM 03	1
24	59009062013	SPECIAL SCREW M6X13 WS=8 10.9	12
30	6899785	LOCTITE 243 BLUE 6CCM	1

05582090 / C065820900

* NEW PART

X AS REQUIRED

REAR WHEEL

640 LC4 ADVENTURE EU 2006

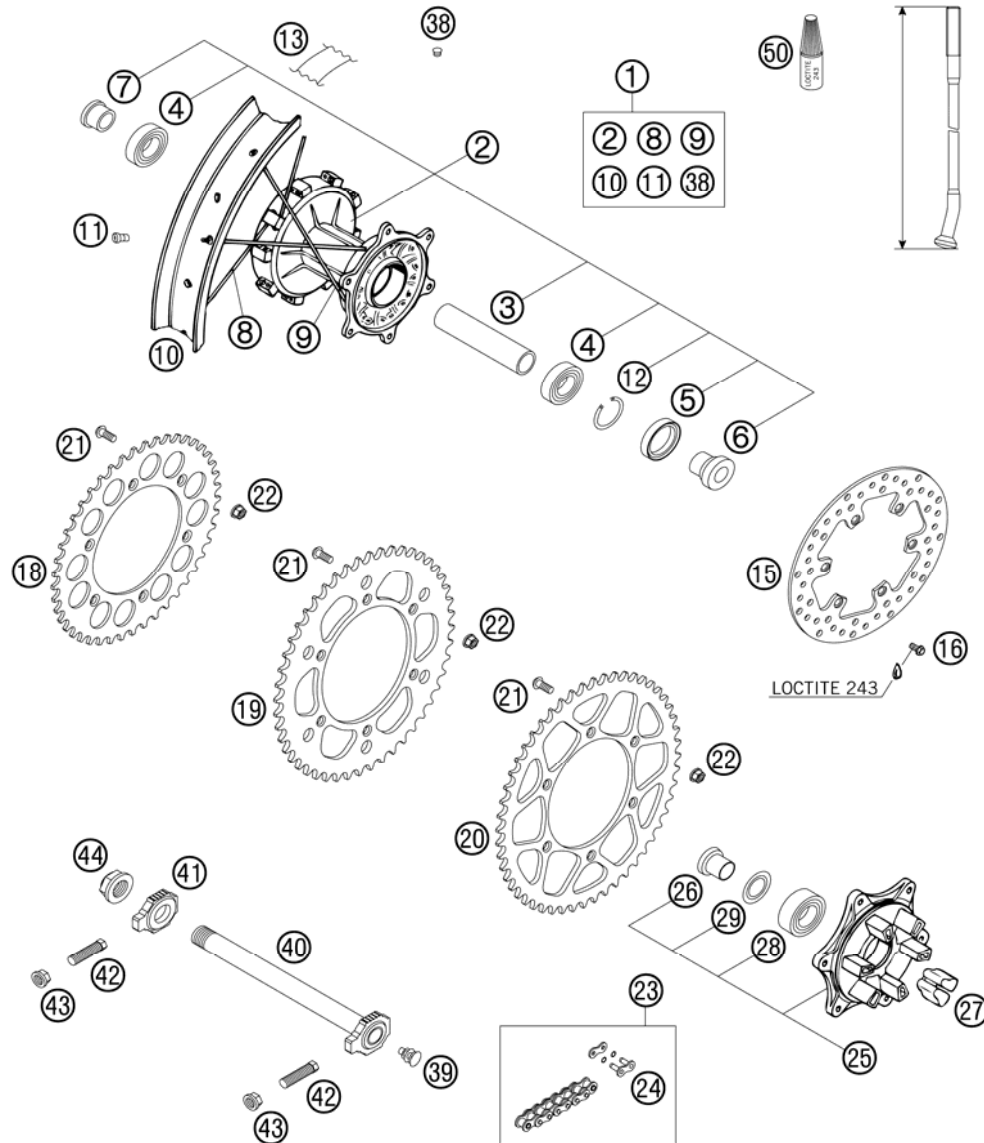


FIG	PART NUMBER	DESCRIPTION	QTY
1*	5821000114430	REAR WHEEL CPL. BLACK 06	1
2*	5841001034491	REAR WHEEL HUB DAMPED CPL. 06	1
3	58410011000	BUSHING SPACER TUBE L=98,3MM	1
4	0625062052	GR.BALL BEAR. 6205-2RSHC3HMTF7	2
5	0760325272	SHAFT SEAL RING 32X52X7 B	1
6	58410016000	BUSHING FOR HUB	1
7	54610416300	BUSHING FOR REAR DAMPED HUB	1
8	54610471000	SPOKE M5X223-10G 18"	18
9	50310071197	SPOKE M5X197-10G 18" DDE	18
10	58210070000	REAR RIM 2,50X18" BLACK 04	1
11	58309072000	SPOKE NIPPLE M5-TA (8X21MM)	36
12	0472052200	CIRCLIP DIN0472-52X2	1
13	58410073200	RIM BAND REAR 2MM 2003	1
15	58710060000	BRAKE DISC REAR D=220MM 03	1
16	59009062013	SPECIAL SCREW M6X13 WS=8 10.9	6
18	58310051038	REAR SPROCKET 38-T	x
18	58310051042	REAR SPROCKET 42-T	1
18	58310151040	REAR SPROCKET 40-T	x
18	58310151045	REAR SPROCKET 45-T	x
19	58310151048	REAR SPROCKET 48-T	x
20	58310151050	REAR SPROCKET 50-T	x
20	58310151052	REAR SPROCKET 52-T	x
21	54510052100	SPROCKET SCREW-AH M8X26 WS=6	6
22	54310086200	SELF LOCKING NUT M8 10.9	6
23	50310800118	CHAIN Z-RING 118 ROLLS 05 REGINA	1
24	50310366000	MASTER LINK FOR 50310800118 REGINA	1
25*	58310050344	SPROCKET SUPPORT CPL. 06	1
26	54610417300	BUSH. F.SPROCKETSUPPORT L=25MM	1
27	54610459000	DAMPING RUBBER '91	6
28	0625032057	GR. BALL BEARING 3205B-2RSRTNG	1
29	54610018000	SEAL WASHER 3205 AV	1
38	55003135000	PLUG FOR RIM	x
39	50210086000	COVERING CAP SFL16	2
40	50310085044	WHEEL SPINDLE RE. CPL.265MM 00	1

05582100 / C065821000

* NEW PART

X AS REQUIRED

REAR WHEEL

640 LC4 ADVENTURE EU 2006

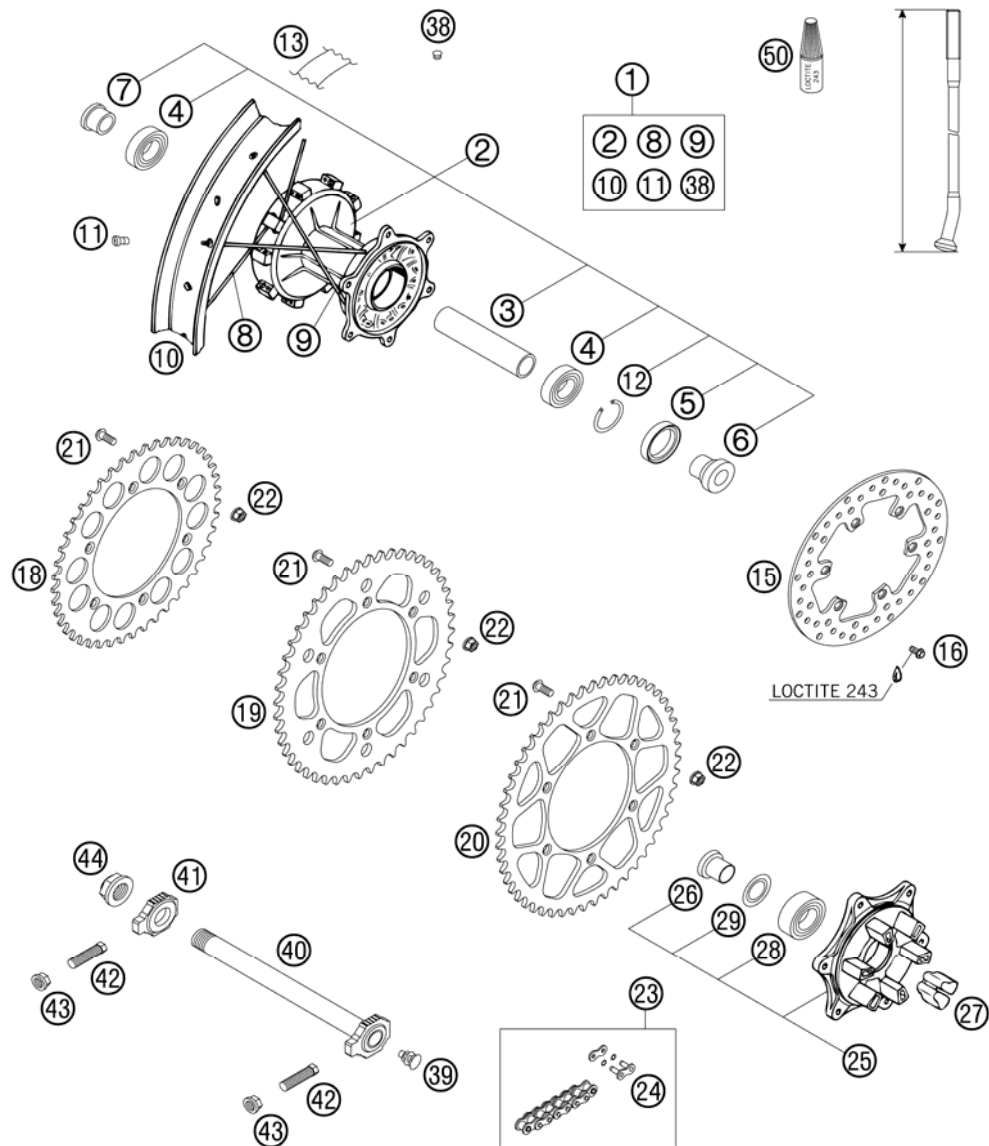


FIG	PART NUMBER	DESCRIPTION	QTY
41	50310084000	CHAIN TENSIONER R/S 2000	1
42*	50304040100	SCREW M10X1,25X50 WS=10	2
43	58414030000	HH COLLAR NUT M10X1,25 WS=13	2
44	50310099000	HEXAGON NUT M20X1,5 '98	1
50	6899785	LOCTITE 243 BLUE 6CCM	1

05582100 / C065821000

* NEW PART

X AS REQUIRED

WIRING HARNESS

640 LC4 ADVENTURE EU 2006

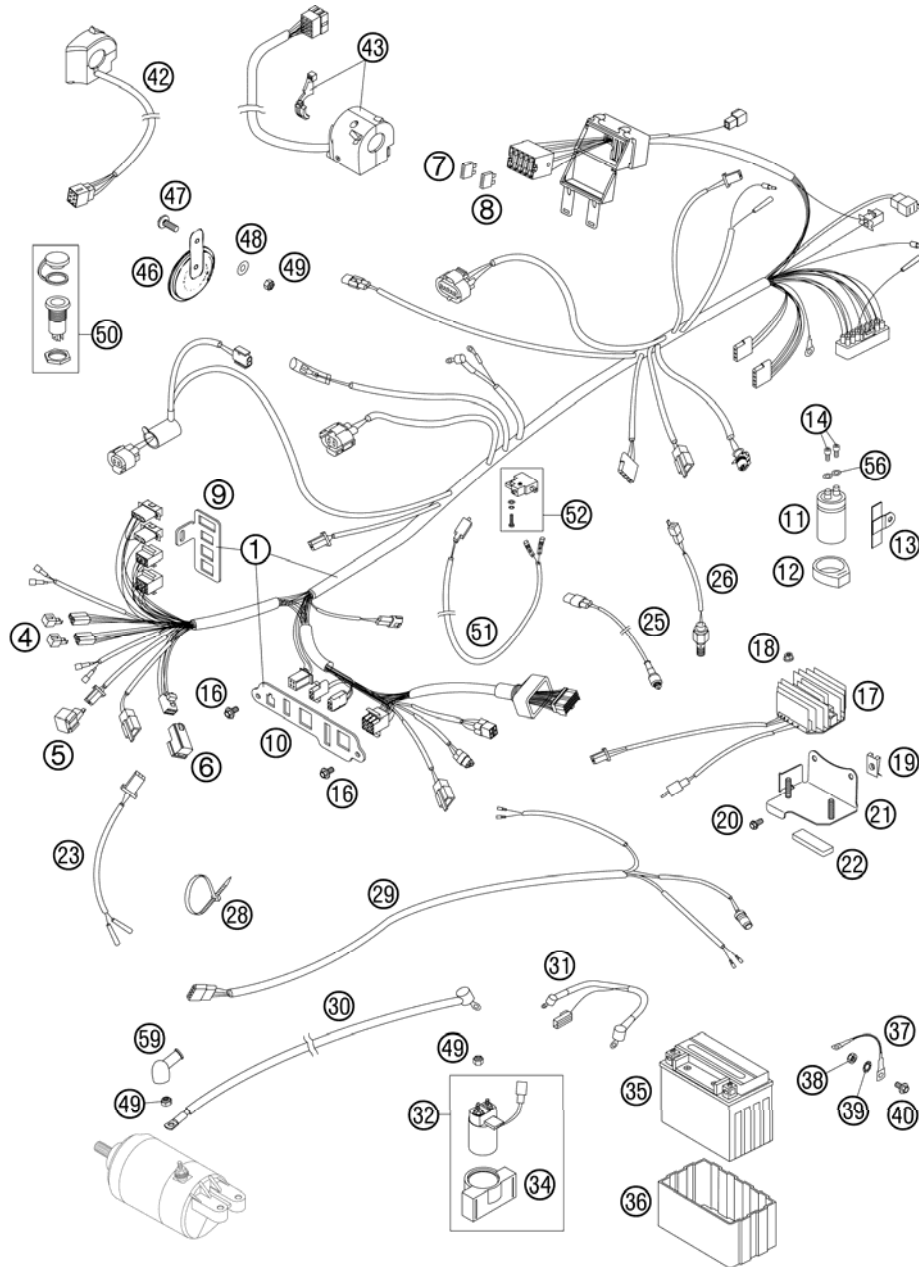


FIG	PART NUMBER	DESCRIPTION	QTY
1	58211075500	MAIN WIRING HARNESS ADV. 03	1
4	58411096100	DIODE S3H-15 97	2
5	44611207200	FLASHER UNIT 97	1
6	58411057000	STARTER RELAY '96	1
7	58011109110	FUSE 10 A 2000	x
8	58011109120	FUSE 20 A 2000	x
9	58211083300	BRACKET FOR PLUGS SHORT ADV.03	1
10	58211083100	BRACKET FOR PLUGS LONG ADV. 02	1
11	49111435100	CONDENSATOR 25V, 10.000 MF	1
12	54511048000	CAPACITOR BRACKET	2
13	54611448000	BRACKET FOR CAPACITOR	1
14	0912050083	AH SCREW DIN 912 M 5X8	2
16	0014060103	HH COLLAR SCREW M 6X10 WS=8	2
17	58411034100	VOLT.REGULATOR-RECTIFIER 12V	1
18	56509064100	SELF LOCKING NUT M6 10.9	2
19	54603048100	RANGE CHANGE METAL NUT M6	2
20	0015060103	HH COLLAR SCREW M 6X10 WS=8	2
21	58411055200	BATTERY BRACKET 03	1
22	58414040051	METAMOLL FOR REARLIGHT 99	1
23	60011025000	FLASHER CABLE FRONT 03	2
25	58411049100	CLUTCH SWITCH 03	1
26	50311051100	BRAKE LIGHT SWITCH REAR '98	1
28	44011076100	CABLE TIE 100/2,5MM BLACK	x
28	44011076200	CABLE TIE 200/3,6MM BLACK	x
28	44011076305	CABLE TIE 300/4,8MM BLACK	x
29	58411176300	WIRING HARNESS REAR 03	1
30	58411059100	STARTERCABLE 700 MM '97	1
31	58411059350	BATTERY CABLE L= 200 MM 03	1
32	58411058000	STARTER RELAY WITH HOLD.RUBBER	1
34	58411058050	HOLD. RUBBER FOR STARTRELAY	1
35	58411053100	BATTERY 12V 8,6AH 03	1
36	58411053050	BATTERY COVER 96	1
37	58411097100	GROUND CABLE D=6MM L=140MM '97	1
38	56509064100	SELF LOCKING NUT M6 10.9	1
39	58411098100	CONTACT WASHER M6 VSV-K6	1
40	0014060153	HH COLLAR SCREW M 6X15 WS=8	1

05582110 / C065821100

* NEW PART

X AS REQUIRED

WIRING HARNESS

640 LC4 ADVENTURE EU 2006

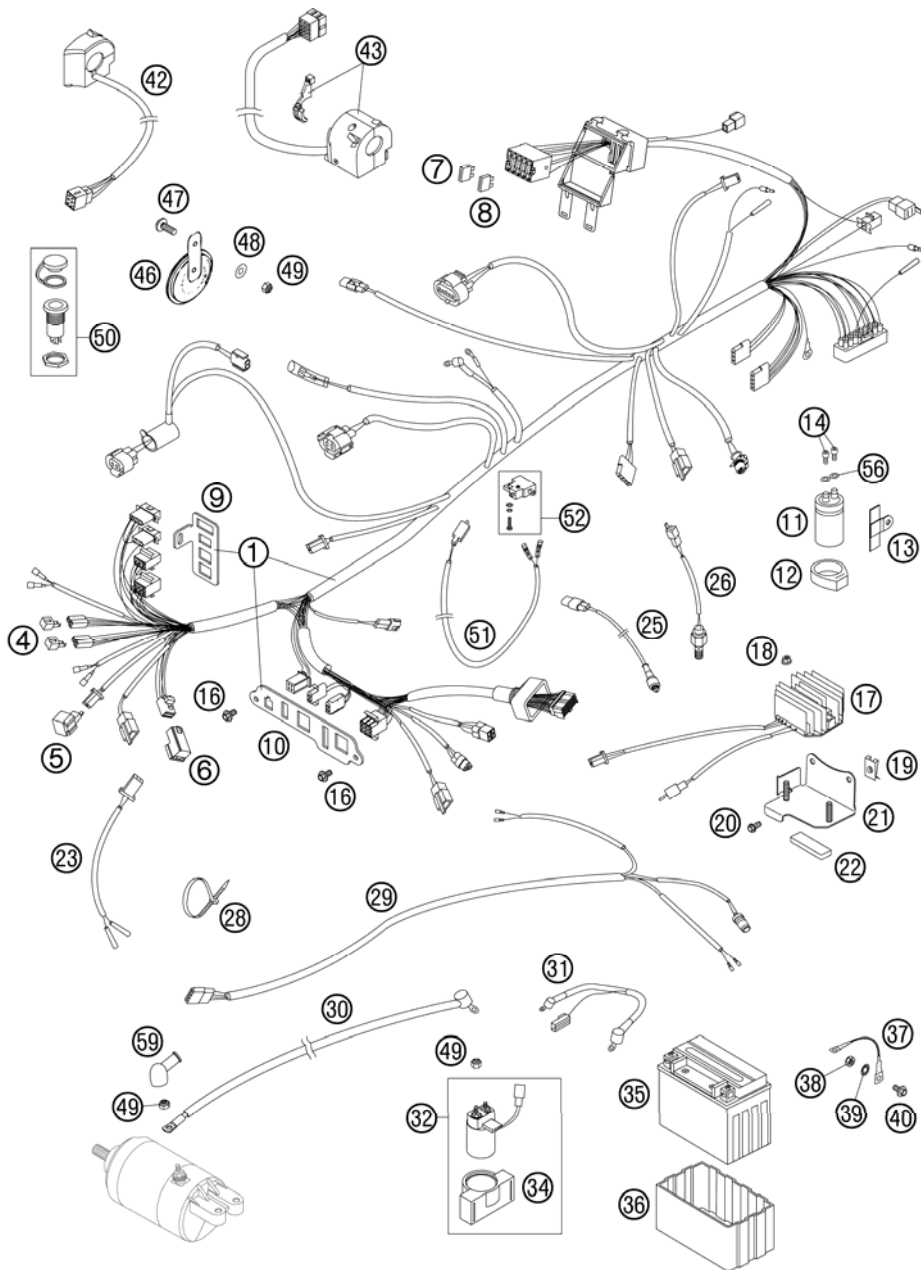


FIG	PART NUMBER	DESCRIPTION	QTY
42	60011074000	START-STOP SWITCH/LIGHT SW. 03	1
43	58211070100	LIGHT SWITCH AD ADVENTURE 02	1
46	50311060000	DC HORN 12V K80/L LEB	1
47	0014060153	HH COLLAR SCREW M 6X15 WS=8	1
48	0125060003	WASHER DIN0125-A 6,4	1
49	0985060003	SELF LOCK. NUT DIN0985-M 6	4
50	58211042000	CONNECTOR BLACK 03	1
51	58211050050	CABLE BRAKE LIGHT SWITCH 04	1
52	60011050000	BRAKE LIGHT SW. FRONT CPL. 03	1
56	0797050003	TOOTH LOCK WASH. DIN6797-J 5,3	2
59	58440099000	PROTECTION CAP F. STARTER ENG.	1

05582110 / C065821100

* NEW PART

X AS REQUIRED

HAND BRAKE CYLINDER

640 LC4 ADVENTURE EU 2006

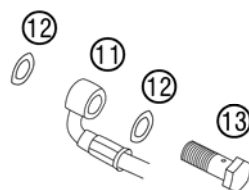
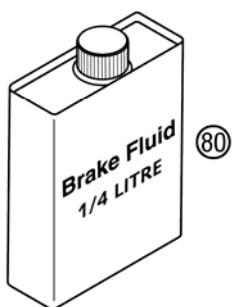
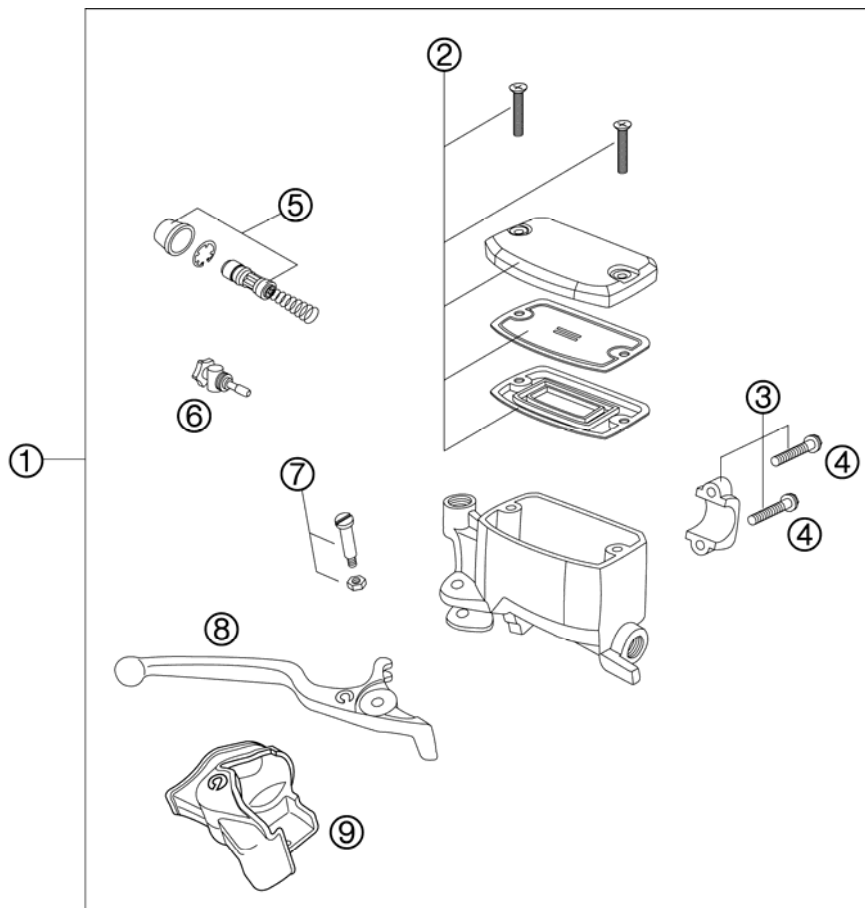


FIG	PART NUMBER	DESCRIPTION	QTY
1	60013001000	HAND BRAKE CYLINDER 03	1
2	60013003000	HAND BRAKE CYL. COVER CPL. 03	1
3	60013005000	CLAMP CPL. 03	1
4	0015060253	HH COLLAR SCREW M 6X25 WS=8	2
5	60013008000	REP.SET PISTON LC8 ADV 03	1
6	60013007000	ADJUSTING SCREW CPL. LC8 ADV	1
7	60013006000	LEVER SCREW CPL. 2003	1
8	60013002000	HAND BRAKE LEVER 2003	1
9	60013004000	PROTECTION CAP HAND BRAKE CYL.	1
11	60013012000	BRAKE HOSE FRONT ADV.S 03 L=1284 MM	1
12	42013226000	CU-SEAL RING DIN7603-10X16X1	2
13	50213025000	HOLLOW SCREW M10X1X19	1
80	306054	* BRAKE FLUID DOT 5.1	1

03600130 / C065821300

* NEW PART

X AS REQUIRED

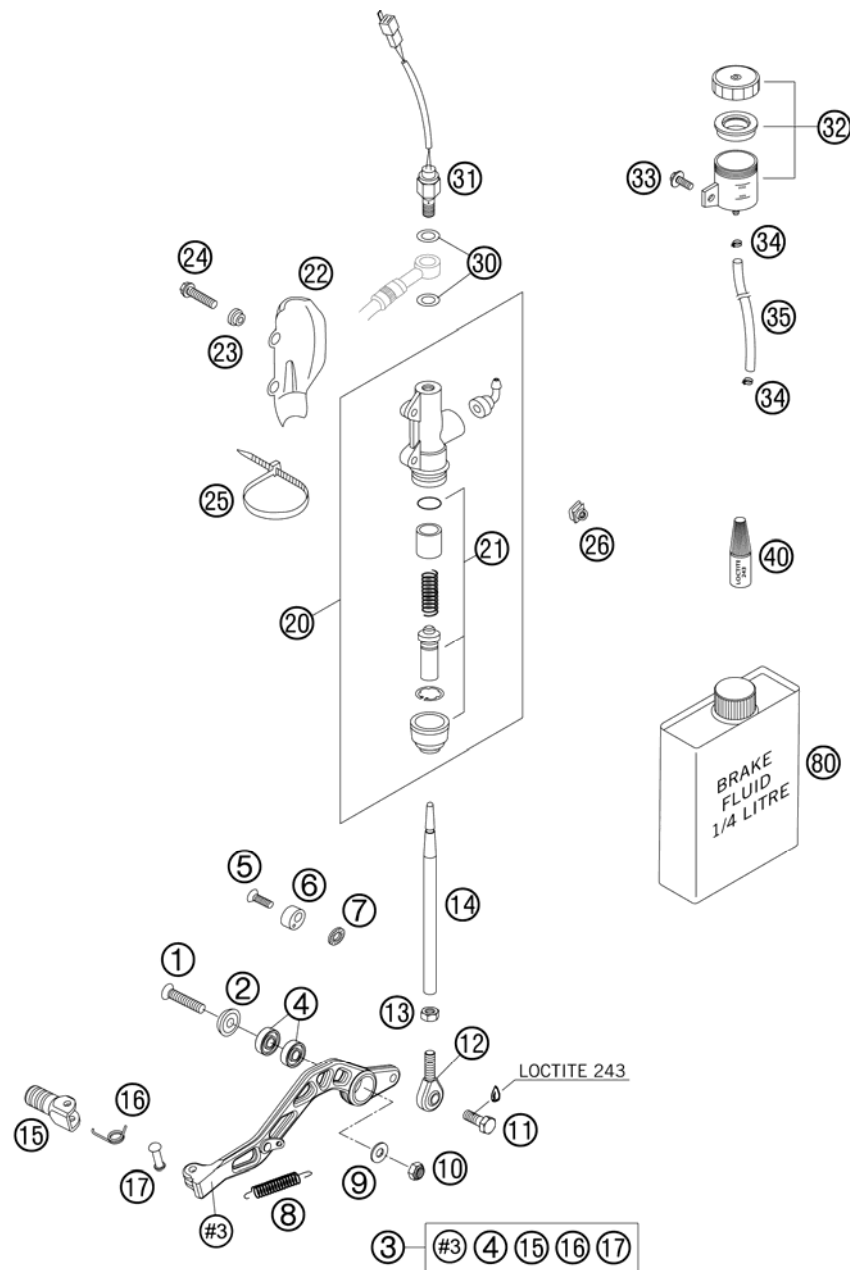


FIG	PART NUMBER	DESCRIPTION	QTY
1	0991080353	FLAT HEAD SCREW DIN7991-M 8X35	1
2	58303061000	SPECIAL WASHER ALU 8 X 24 MM	1
3	58403070244	FOOT BRAKE LEV. FOLDING CPL.04	1
4	0625006087	GROOVED BALL BEAR. 608 2RS C3	2
5	0991060203	FLAT H.SCREW DIN7991-M6X20 8.8	1
6	58413048000	BRAKE LEVER STOP LC4 03	1
7	0797060003	TOOTH LOCK WASH. DIN6797-A 6,4	1
8	13003062000	RETURN SPRING	1
9	0125080003	WASHER DIN0125-A 8,4	1
10	0985080003	SELF LOCKING NUT DIN0985-M 8	1
11	0933080223	HH SCREW DIN0933-M 8X22 8.8	1
12	58303062000	HEIM JOINT M8 W=12MM '93	1
13	0934080003	HEXAGON NUT DIN0934-M 8	1
14	58303068100	PUSH ROD ALU L=178MM '93	1
15	54634131000	STEP PLATE FOR SHIFT LEVER 250	1
16	54634032100	SHIFTING LEVER SPRING 250	1
17	54634031050	BOLT 6X25 FOR SHIFT LEVER	1
20	54513101044	MAIN BRAKE CYLINDER '89	1
21	54513150000	REPAIR KIT PISTON 13MM	1
22	54513038000	BRAKE CYL. PROTECTOR "BREMBO"	1
23	50213161000	COLLAR BUSHING	2
24	0015060253	HH COLLAR SCREW M 6X25 WS=8	2
25	44011076200	CABLE TIE 200/3,6MM BLACK	1
26	50235033300	SNAP-NUT HOLDER M6 KP142	2
30	42013226000	CU-SEAL RING DIN7603-10X16X1	2
31	50311051100	BRAKE LIGHT SWITCH REAR '98	1
32	54513030044	BRAKE FLUID RESERVOIR '89	1
33	0014060103	HH COLLAR SCREW M 6X10 WS=8	1
34	58007017000	YDNAC CLAMP 10101 (9MM)	2
35	58007016101	HOSE FOR RESERVOIR 6X1,5	x
40	6899785	LOCTITE 243 BLUE 6CCM	1
80	306054	* BRAKE FLUID DOT 5.1	1

05583131 / C065821301

* NEW PART

X AS REQUIRED

BRAKE CALIPER FRONT

640 LC4 ADVENTURE EU 2006

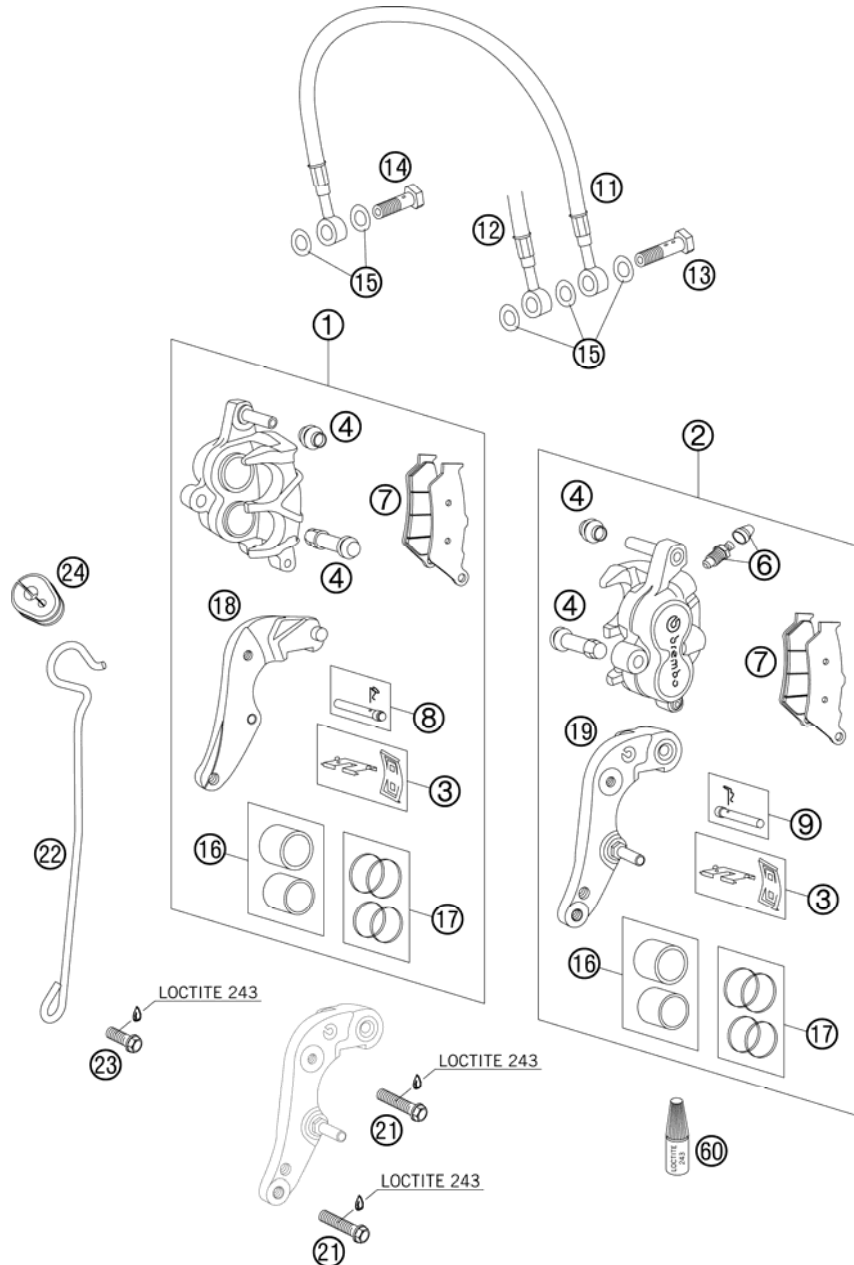


FIG	PART NUMBER	DESCRIPTION	QTY
1	60013016000	BRAKE CALIPER FRONT R/S 03 WITH BRAKE CALIPER SUPPORT	1
2	60013015000	BRAKE CALIPER FRONT L/S 03 WITH BRAKE CALIPER SUPPORT	1
3	54613212000	RETAINING PLATE SET BREMBO	2
4	54613218000	CUP SET SHORT	2
6	60013020000	BLEEDER SCREW WITH CAP	2
7	60013030000	BRAKE PAD SET FRONT 2003	2
8	60013017100	BOLT SET R/S	1
9	60013017000	BOLT SET L/S	1
11	60013013000	CONNECTING PIPE FRONT	1
12	60013012000	BRAKE HOSE FRONT ADV.S 03 L=1284 MM	1
13	60013092000	HOLLOW SCREW M10X1X30 03	1
14	50213025000	HOLLOW SCREW M10X1X19	1
15	42013226000	CU-SEAL RING DIN7603-10X16X1	5
16	60013083000	BRAKE PISTONS	2
17	60013019000	REP.KIT SEALING RINGS 30/32MM	2
18	60013049000	BRAKE CALIPER SUPPORT FR. R/S WITH RETAINING PLATE	1
19	60013049100	BRAKE CALIPER SUPPORT FR. L/S WITH RETAINING PLATE	1
21	0015080353	HH COLLAR SCREW M 8X35 WS=10	4
22	60013025000	BRAKE HOSE GUIDE FRONT 03	1
23	0015080163	HH COLLAR SCREW M 8X16 WS=10	1
24	60013025050	RUBBER FOR BRAKE HOSE GUIDE 03	1
60	6899785	LOCTITE 243 BLUE 6CCM	1

03600132 / C065821302

* NEW PART

X AS REQUIRED

BRAKE CALIPER REAR

640 LC4 ADVENTURE EU 2006

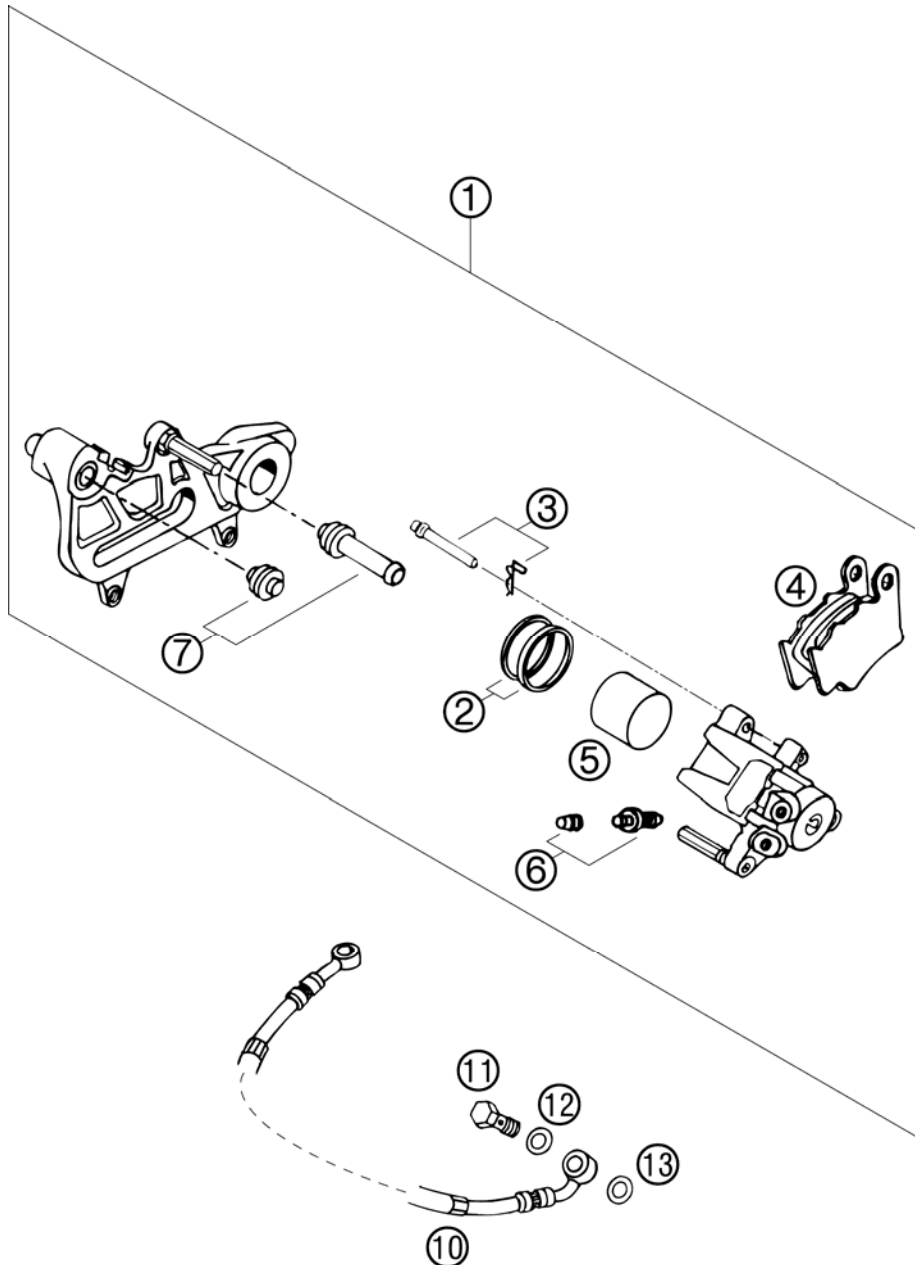


FIG	PART NUMBER	DESCRIPTION	QTY
1	58213080044	BRAKE CALIPER CPL. REAR L/S 05	1
2	54613318200	REPAIR KIT SEALING RINGS 34MM	1
3	54613310200	BOLT SET	1
4	50313090000	BRAKE PAD REAR TOSHIBA TTH38GF	x
4	54613309200	BRAKE PAD SET REAR ID450	x
4	54613309500	BRAKE PAD SET REAR TT2161FF	1
4	59013090100	BRAKE PAD SET REAR ORGANIC	x
5	54613305200	BRAKE PISTON 34MM	1
6	60013020000	BLEEDER SCREW WITH CAP	1
7	54613218000	CUP SET SHORT	1
10	58313070000	BRAKE HOSE REAR 790MM '97	1
11	50213025000	HOLLOW SCREW M10X1X19	1
12	42013226000	CU-SEAL RING DIN7603-10X16X1	1
13	42013026000	CU-SEAL RING DIN7603-10X16X1,5	1

02584132 / C065821303

* NEW PART

X AS REQUIRED



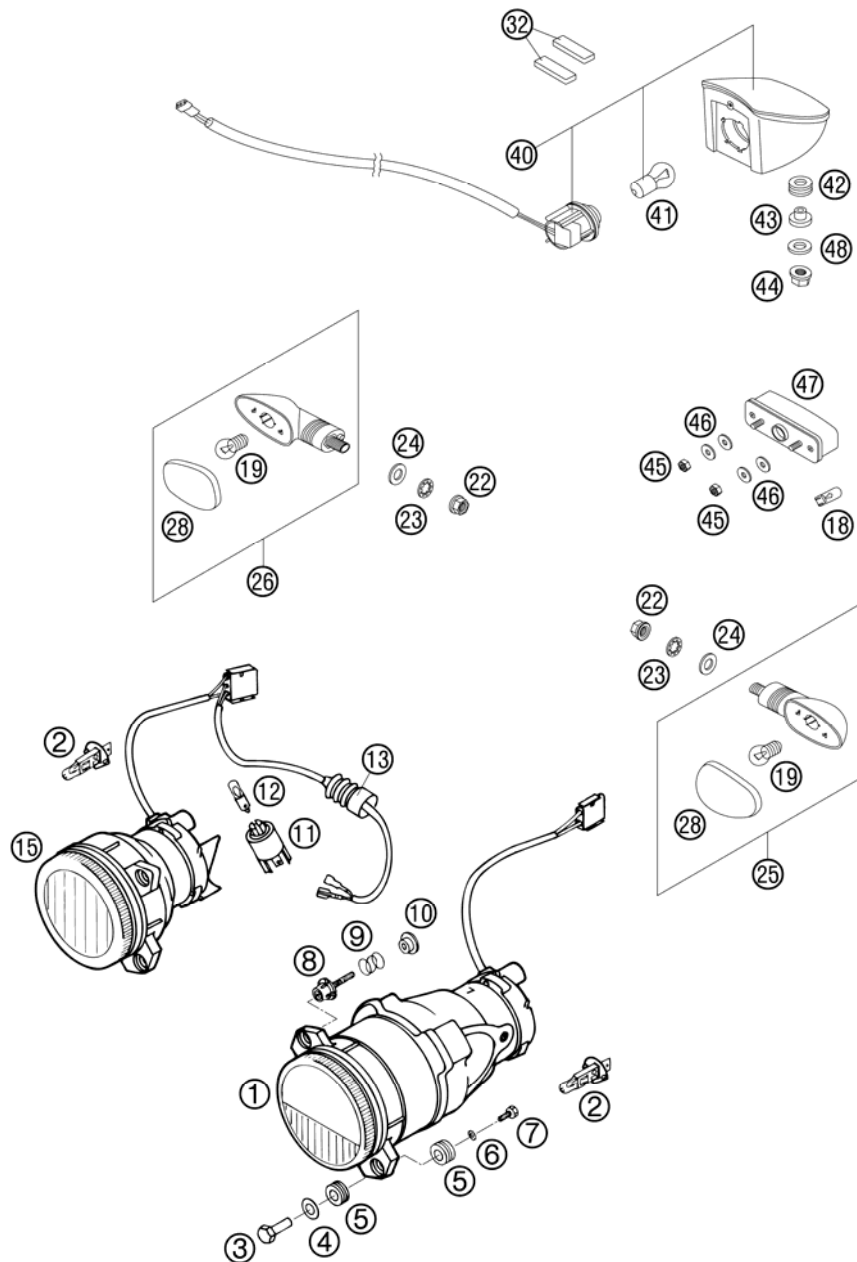


FIG	PART NUMBER	DESCRIPTION	QTY
1	58311010000	HEADLIGHT LOW BEAM DUKE'94 RHT	1
2	58311038000	BULB H1 12V 55W WHITE BASE P14,5S	2
3	58311044000	SPECIAL NUT M5X25 WS=10	4
4	0125080003	WASHER DIN0125-A 8,4	4
5	31008060000	RUBBER SLEEVE D=8MM OPEN	8
6	0797050003	TOOTH LOCK WASH. DIN6797-J 5,3	4
7	0933050123	HH SCREW DIN0933-M 5X12	4
8	58311011000	ADJUSTING SCREW M5X30 CPL.	2
9	12003007052	SPRING L=16MM	2
10	54603073000	COLLAR BUSHING 5 X 10 X 6 ALU	2
11	58311039000	BULB SOCKET BA9S	1
12	44111005100	BULB 12V 2W BA9S	1
13	58302126000	CLUTCH LEVER BOOT '95	1
15	58311110000	HEADLIGHT HIGHBEAM DUKE '94	1
18*	49011435100	BULB 12V 5W (W2,1X9,5D) PHIL.	1
19	44111015100	BULB 12V 10W (BA15S)	4
22	58414030000	HH COLLAR NUT M10X1,25 WS=13	4
23	0797100003	LOCK WASHER DIN6797-J10,5 ZI	4
24	0125100003	WASHER DIN0125-A10,5	4
25	5841402500030	FLASHER CPL.FRONT L/S REAR R/S	2
26	5841402600030	FLASHER CPL.FRONT R/S REAR L/S	2
28	58414028000	FLASHER LENS L/S & R/S '98 ORANGE	4
32	58414040051	METAMOLL FOR REARLIGHT 99 15MM X 50MM X 5MM	1
40	58414040100	REAR LIGHT CPL. LC4 2001	1
41	58414042000	BULB 12V 21/5W (BAY15S)REINFO.	1
42	41001052000	RUBBER SLEEVE D=12MM	3
43	58714048000	REAR LIGHT BUSHING	3
44	56509064100	SELF LOCKING NUT M6 10.9	3
45	0985050003	SELF LOCKING NUT DIN0985-M 5	2
46	0021050003	WASHER DIN9021-A 5,3	4
47	58414047000	LICENSE-PLATE ILLUMINATION '98	1
48	0021060003	WASHER DIN9021-A 6,4	3

05582140 / C065821400

* NEW PART

X AS REQUIRED

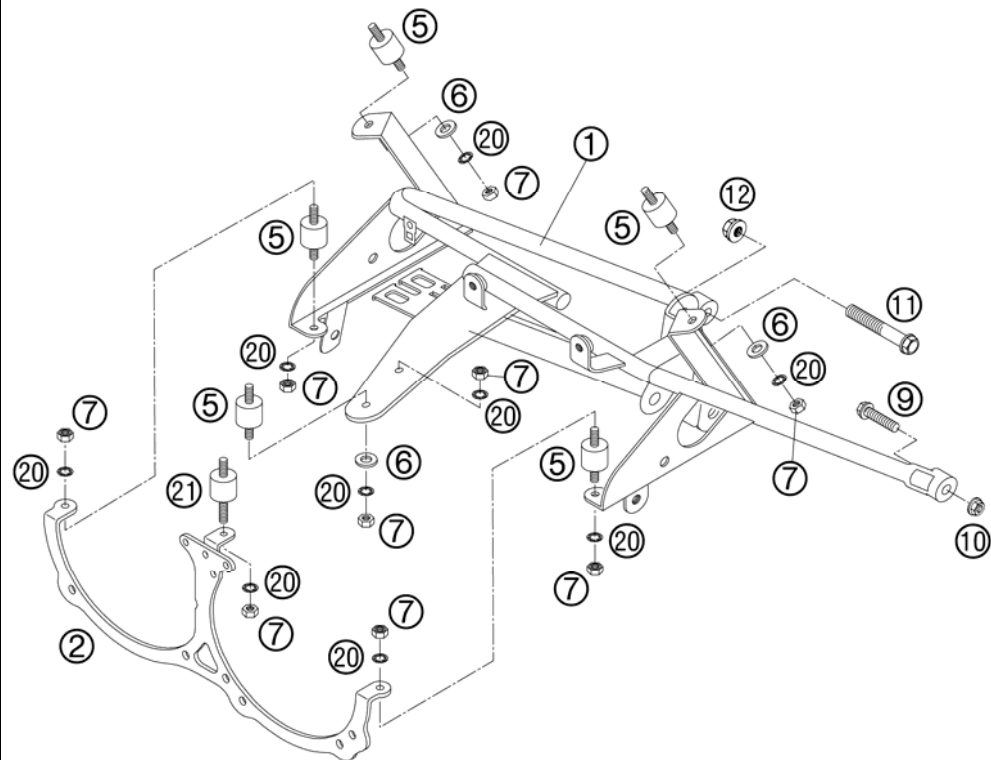


FIG	PART NUMBER	DESCRIPTION	QTY
1*	5821401010030	HEAD LIGHT CARRIER TRIOM ADV.	1
2	58211045000	SUPPORT F. HEAD LIGHT ADV. '97	1
5	54335031000	RUBBER GROMMET 20X15-M6X10 (2)	5
6	0125060003	WASHER DIN0125-A 6,4	3
7	0934060003	HEXAGON NUT DIN0934-M 6	9
9	0015060253	HH COLLAR SCREW M 6X25 WS=8	2
10	56509064100	SELF LOCKING NUT M6 10.9	2
11	0015080503	HH COLLAR SCREW M 8X50 WS=10	2
12	54310086200	SELF LOCKING NUT M8 10.9	2
20	0797060003	TOOTH LOCK WASH. DIN6797-A 6,4	9
21	58214012000	RUBBER GROMM.20/15 M6X16+M6X10	1

02582144 / C065821401

* NEW PART

X AS REQUIRED

SPEEDOMETER

640 LC4 ADVENTURE EU 2006

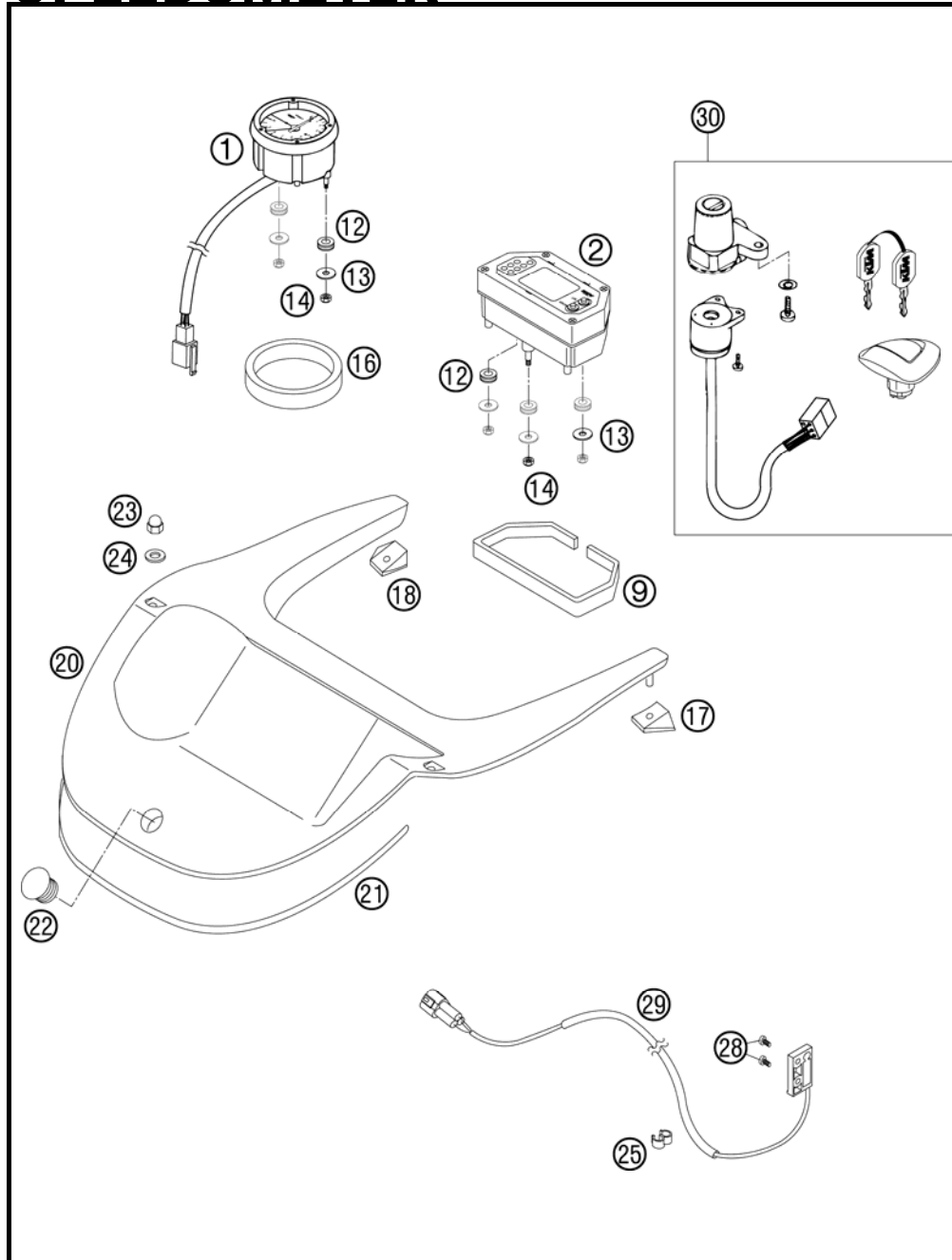


FIG	PART NUMBER	DESCRIPTION	QTY
1	58214075100	TACHOMETER ADVENTURE 2002	1
2*	61014069000	DIGITAL SPEEDOMETER 05	1
9	58211001065	FOAM 3X8MM PER METER	x
12	58214069051	RUBBER GROMMET 16X10,8X3	02
13	0021050003	WASHER DIN9021-A 5,3	5
14	0985050003	SELF LOCKING NUT DIN0985-M 5	5
16	58214067000	VIEW PROTECTION TACHOM. ADV.02	1
17	58214070151	VIEW PROTECTION L/S ADV. 2001	1
18	58214070152	VIEW PROTECTION R/S ADV. 2001	1
20	58214070300	COCKPIT COVER ADVENTURE 03 WITH BORE FOR CONNECTOR	1
21	58214070150	BORDER PROTEC. ADVENTURE 2002	1
22	71001012100	PVC CAP D=22MM	1
23	0587060001	HH CAP NUT DIN1587-M 6 BLACK	3
24	56032005100	WASHER 6X17X1,5 BLACK	3
25	55011022100	CLAMP D=6/8MM, BLACK	2
28	0084040083	CYL.HEAD SCREW DIN0084-M 4X8 A	2
29*	60014069150	SPEEDOMETER SENSOR 06	1
30	58411066244	IGNITION LOCK+TANK PLUG S/A98	1

05582141 / C065821402

* NEW PART

X AS REQUIRED











KTM-Sportmotorcycle AG
A-5230 Mattighofen
www.ktm.at

KTM Group Partner



3CF9703F1EN



Art.Nr.: 3CF9703F1EN 9/2005