

# 625 SXC 2007

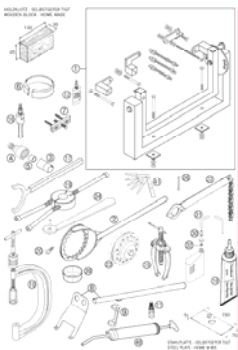
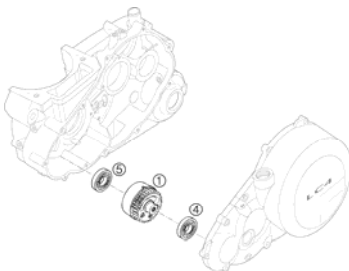
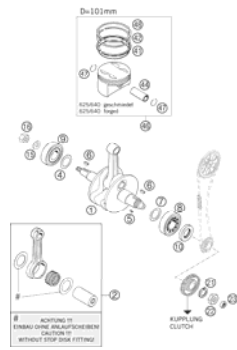
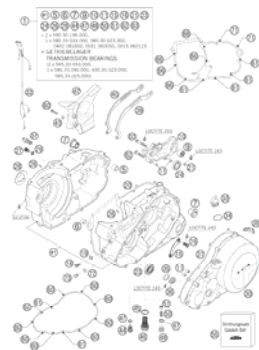
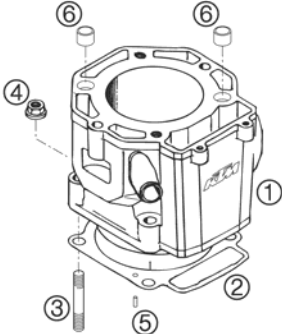

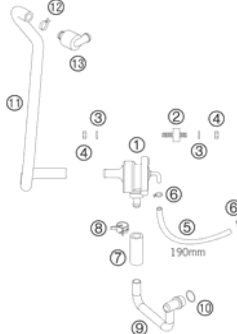
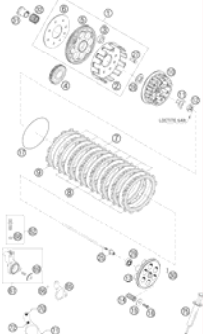
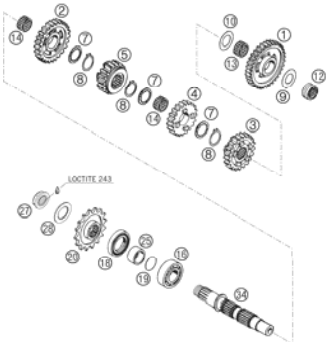
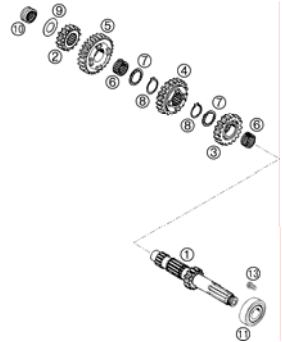
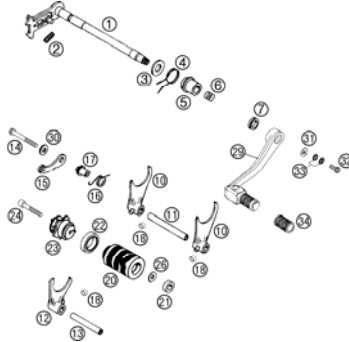
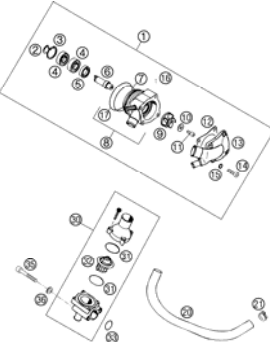
**SPARE PARTS MANUAL: ENGINE**

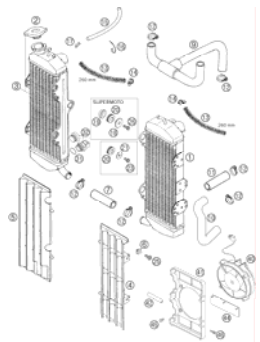
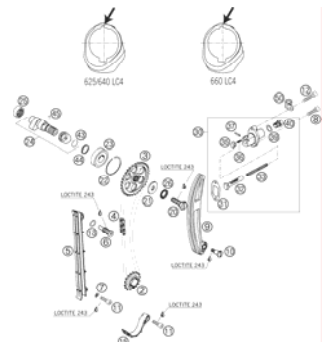
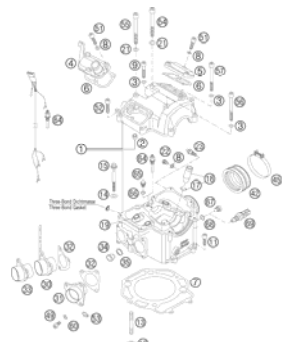

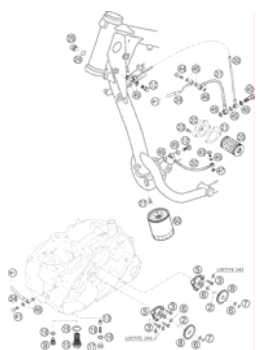
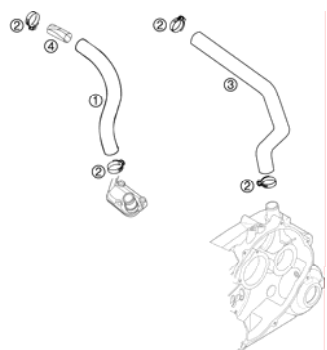
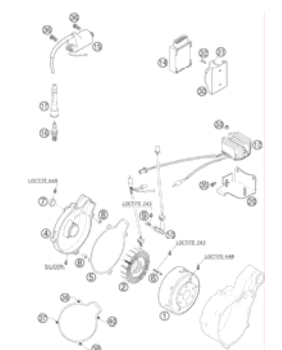
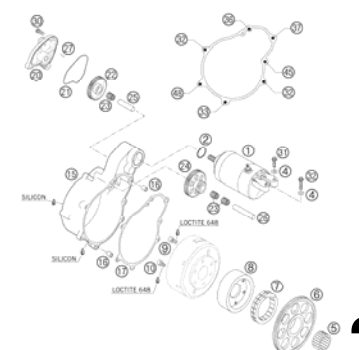
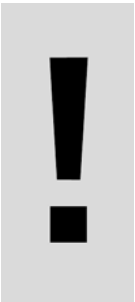
**ART.NO.: 3CM088248GEN**

**ENGLISH**

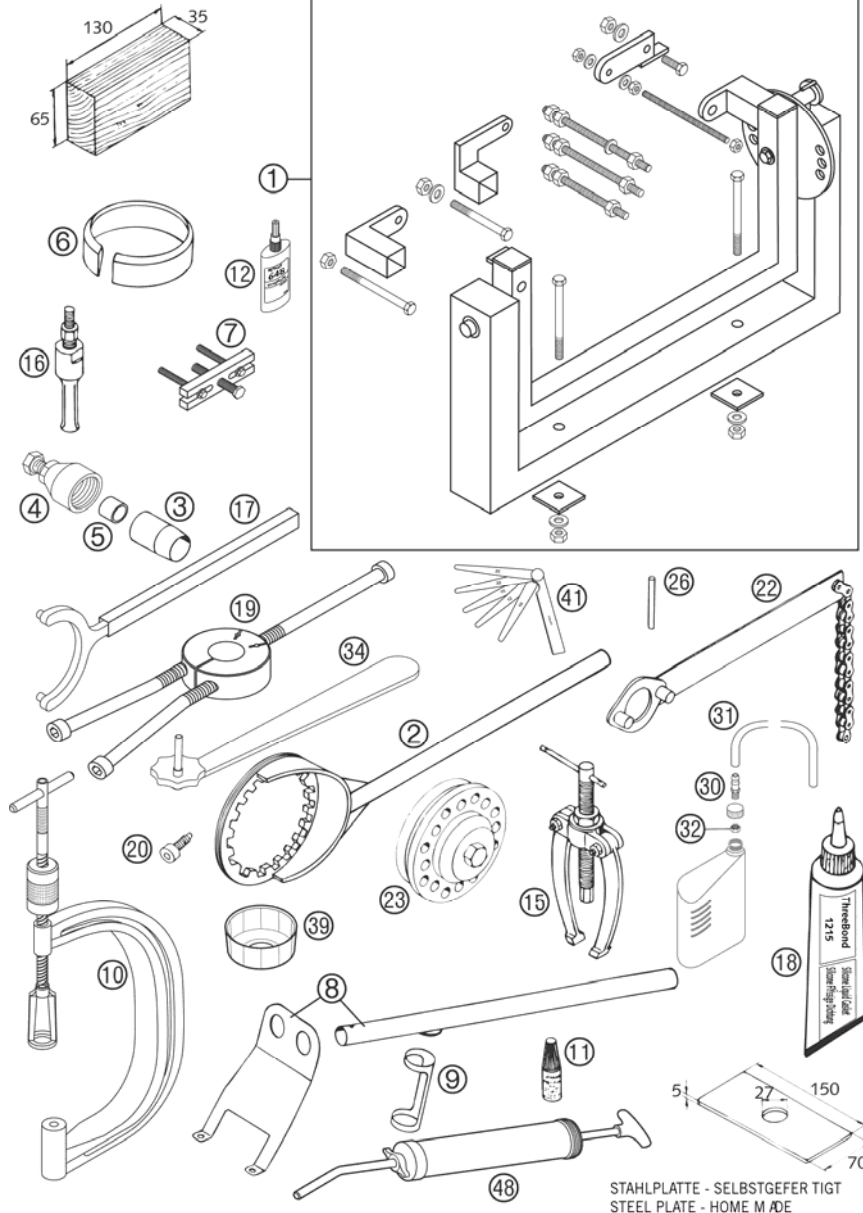
The KTM logo is located in the bottom right corner of the page. It consists of the letters 'KTM' in a bold, italicized, sans-serif font. The 'K' and 'T' are connected, and the 'M' is slightly separated. The logo is black and set against a light gray background.



<b>SPECIAL TOOLS</b>  <b>3</b>	<b>BALANCER SHAFT</b>  <b>5</b>	<b>CRANKSHAFT, PISTON</b>  <b>6</b>	<b>ENGINE CASE</b>  <b>7</b>
<b>CYLINDER</b>  <b>9</b>	<b>CARBURETOR</b>  <b>10</b>	<b>SECONDARY AIR SYSTEM</b>  <b>12</b>	<b>CLUTCH</b>  <b>13</b>
<b>TRANSMISSION II</b>  <b>14</b>	<b>TRANSMISSION I</b>  <b>15</b>	<b>SHIFTING MECHANISM</b>  <b>16</b>	<b>WATER PUMP</b>  <b>17</b>

<p><b>COOLING SYSTEM</b></p>  <p style="text-align: right;"><b>18</b></p>	<p><b>TIMING VALVE</b></p>  <p style="text-align: right;"><b>20</b></p>	<p><b>CYLINDER HEAD</b></p>  <p style="text-align: right;"><b>21</b></p>	<p><b>VALVE DRIVE</b></p>  <p style="text-align: right;"><b>23</b></p>
<p><b>LUBRICATING SYSTEM</b></p>  <p style="text-align: right;"><b>24</b></p>	<p><b>ENGINE EXHAUST</b></p>  <p style="text-align: right;"><b>26</b></p>	<p><b>IGNITION SYSTEM</b></p>  <p style="text-align: right;"><b>27</b></p>	<p><b>ELECTRIC STARTER</b></p>  <p style="text-align: right;"><b>28</b></p>
<div style="display: flex; align-items: center;"> <div style="flex: 1; text-align: center;">  </div> <div style="flex: 3; padding-left: 20px;"> <p>All information contained is without obligation. KTM-Sportmotorcycle AG particularly reserves the right to modify any equipment, technical specifications, prices, colors, shapes, materials, services, service work, constructions, equipment and the like so as to adapt them to local conditions or to cancel any of the above items, all without previous announcement and without giving reasons. KTM may stop manufacturing certain models without previous notice. KTM shall not be held liable for any deviations of availability and/or ability to deliver, illustrations, descriptions, printing and/or other errors. The illustrated models partly contain extra equipment, which is not applied to standard models. © by KTM-SPORTMOTORCYCLE AG, Mattighofen AUSTRIA; All rights reserved; Reprint, also in extracts, with written allowance of KTM-SPORTMOTORCYCLE AG, Mattighofen only.</p> </div> </div>			

HOLZKLOTZ - SELBSTGEFER TIGT  
WOODEN BLOCK - HOME MADE



STAHLPLATTE - SELBSTGEFER TIGT  
STEEL PLATE - HOME MADE

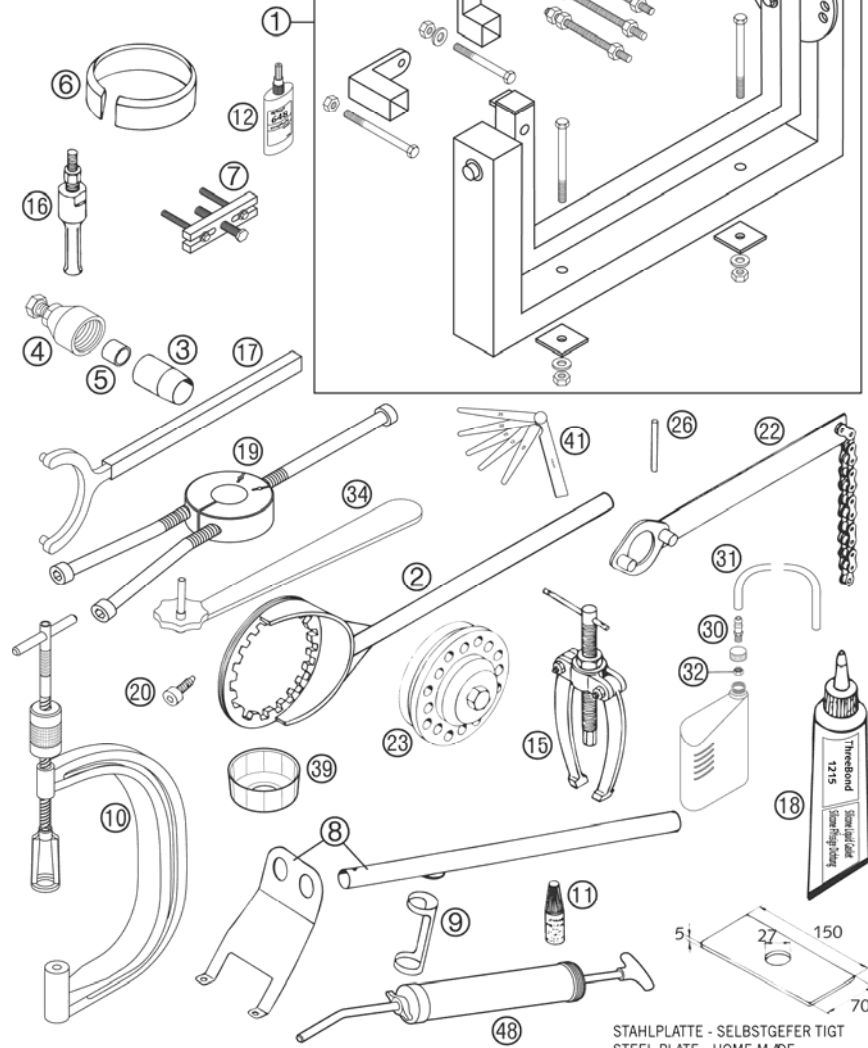
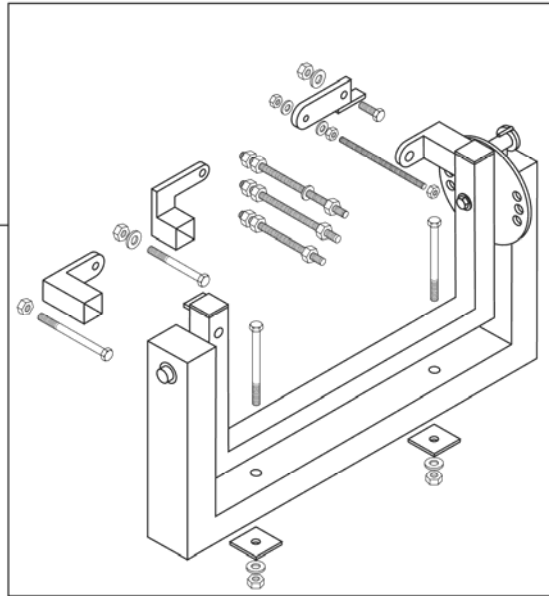
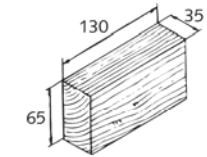
FIG	PART NUMBER	DESCRIPTION	QTY
1	56012001044	UNIVERSAL MOUNTING RACK CPL.	1
2	58329003000	CLUTCH HOLDER D=160MM LC4'94	1
3	58012005025	MOUNTING SLEEVE D=25MM FOR CRANKSHAFT SEAL L/S	1
4	58012009000	FLYWHEEL EXTRACTOR 660 SMS	1
4	58429009000	MAGNETO EXTRACTOR	1
5	51012016000	PROTECTION CAP CRANKSHAFT M12	1
5	58429031000	PROTECTOR CAP F.CRANKSHAFT M16	1
6	58012015101	PISTON RING COMPRESSOR D=101MM 625/640	1
6	58529015102	PISTON RING COMPRESSOR D=102MM 660	1
7	59029021044	EXTRACTOR PRIM. GEAR CPL. WITH M4, M5, M6 SCREWS	1
8	58012019000	VALVE INSTALLATION KIT	1
9	6276470	PUSH INSERT	1
10	59029019000	VALVE SPRING LEVER	1
11	6899785	LOCTITE 243 BLUE 6CCM	x
12	58429059000	LOCTITE 648 GREEN 24ML	x
15	15112017000	BUSHING EXTRACTOR	1
16	15112018000	INTERN.BEAR.PULLER 12-16 MM	1
16	15112018100	INTERN.BEAR.PULLER 18-23 MM	1
17	58429012000	HOLDING WRENCH FOR WHEEL	1
18	309098	* SILICON GASKET THREE-BOND	1
19	58429037040	MOUNTING TOOL F.BEARING NJ 306	1
19	58429037043	MOUNTING TOOL F.BEARING NJ 207	1
20	58030080000	LOCATING SCREW M8 L=23	1
22	51012012000	HOLDING SPANNER FOR SPROCKET	1
23	54629027000	RIVETTING TOOL FOR CLUTCH	1
26	58029026007	LIMIT PLUG GAUGE F.VALVE GUIDE D=7,05 MM	1
30	59030022000	BLEEDER FLANGE M8 WS=10 '99	1
31	31007107001	PVC-HOSE 6X9 MM PER METER	x
32	0934080003	HEXAGON NUT DIN0934-M 8	1
34	59029034000	WRENCH F.MIXTURE CONTROL SCREW 660	1

05584290 / C065842900

\* NEW PART

X AS REQUIRED

HOLZKLOTZ - SELBSTGEFER TIGT  
WOODEN BLOCK - HOME MADE



STAHLPLATTE - SELBSTGEFER TIGT  
STEEL PLATE - HOME M/DE

FIG	PART NUMBER	DESCRIPTION	QTY
39	58329039000	WRENCH SCREW FILTER	1
41	59029041000	FEEL. GAUGE SET 10,12,15,20,25	1
48	58429048000	INJEKTION FOR FRONT PIPE '99 DEAERATE FOR FRONT PIPE	1

05584290 / C065842900

\* NEW PART

X AS REQUIRED

# BALANCER SHAFT

625 SXC 2007

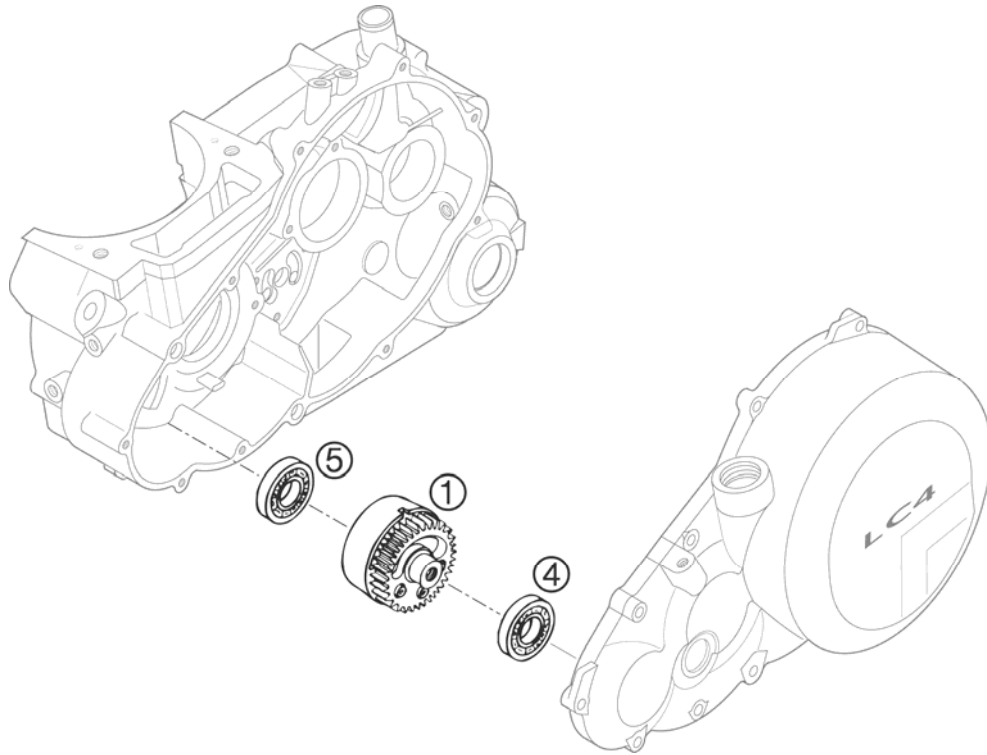


FIG	PART NUMBER	DESCRIPTION	QTY
1	57330057044	BALANCER SHAFT CPL. STEEL	1
4	0625160040	GROOVED BALL BEAR. TM 16004 C3	1
5	0412174012	CYLIND.ROLL.NJ 203 ECP/C3 2001	1

05584304 / C065833004

\* NEW PART

X AS REQUIRED

# CRANKSHAFT, PISTON

625 SXC 2007

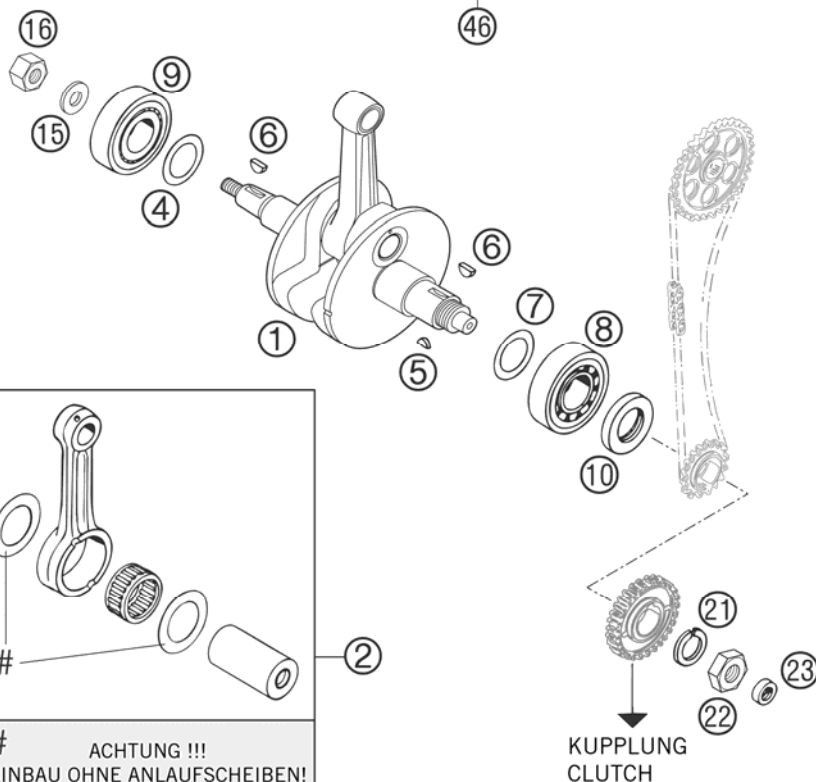
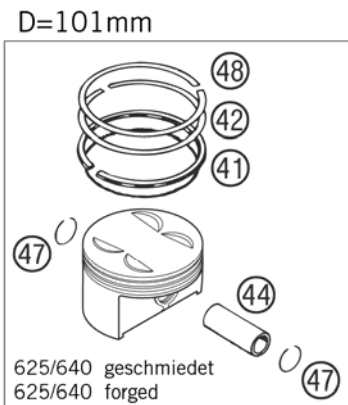


FIG	PART NUMBER	DESCRIPTION	QTY
1	58430018300	CRANKSHAFT CPL. LC4 05 STROKE 78MM	1
2	58430015044	CON.ROD REPAIR KIT 620/625/640 CCM L=141,5MM	1
4	56530081000	SHIM WASHER 36X48X0,10	x
4	56530081100	SHIM WASHER 36X48X0,15	x
4	56530081300	SHIM WASHER 36X48X0,30	x
5	0888030050	WOODRUFF KEY DIN6888-3X5X13	1
6	6946005	WOODRUFF KEY 5X6,5 HARDED	2
7	56030081000	THRUST WASHER 30,5X45X0,10	x
7	56030081100	THRUST WASHER 30,7X47X0,15	x
7	56030081200	THRUST WASHER 30,5X45X0,30	x
8	58030082000	CYL.ROLLER BEARING NJ 306 C3	1
9	56530123000	CYL.ROLLER BEAR. NJ 207 ECP C3	1
10	0760304772	SH.SEAL RING 30X47X7 BSL VITON	1
15	58330095000	STEEL WASHER 16 X 30 X 3	1
16	58430028000	HEX NUT M16x1,25 L/S	1
21	58030019000	LOCKING RING VSK 20	1
22	0936200155	HEXAGON NUT DIN0936-M20X1,5	1
23	0760122270	SHAFT SEAL RING 12 X 22 X 7 B	1
41	58330031300	OIL SCRAPER RING 101x2,5	1
42	58330932100	TAP.COMPR.PISTON RING 101X1,25	1
44	58330833000	PISTON PIN 22 X 13 X 60	1
46	58430007100 I	PISTON I CPL. D=101 ELKO 03	1
46	58430007100 II	PISTON II CPL. D=101 ELKO 03	1
47	58430074000	CIRCLIP 22 X 1,6	2
48	58430032000	L-RING 101X93,5X1,5 2000	1

05584302 / C065843002

\* NEW PART

X AS REQUIRED



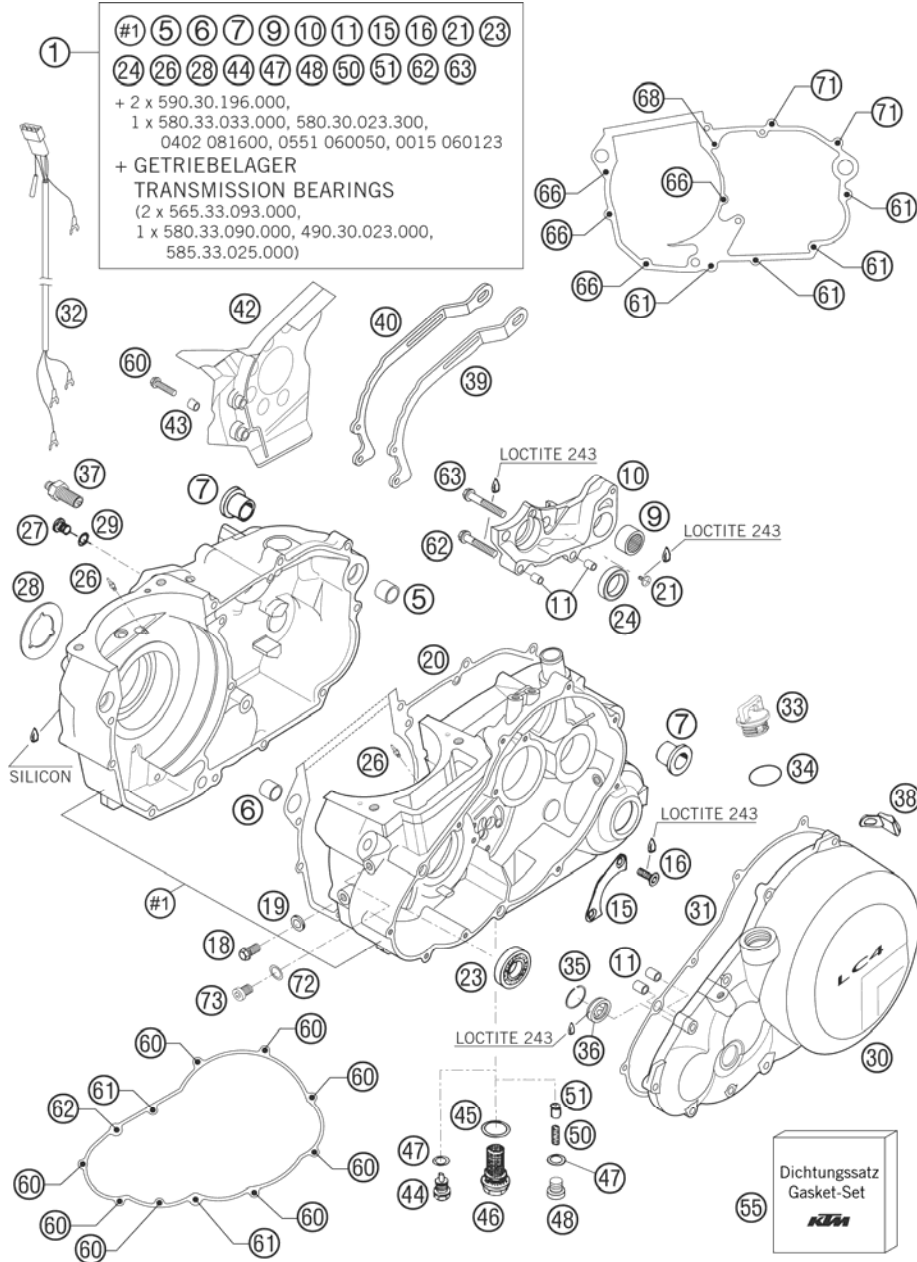


FIG	PART NUMBER	DESCRIPTION	QTY
1	584300034423	ENGINE CASE CPL.W.BEAR. LC4 05 GREY	1
5	50130027000	DOWEL 19 X15,1X12	1
6	51030026100	DOWEL 17 X 13 X 12	1
7	50130010000	CRANK CASE BUSH	2
9	58033097000	NEEDLE BEARING HK 2216	1
10	58330011000	SHIFT MECHANISM SUPPORT LC4'94	1
11	49030090000	DOWEL 9,8 X 7 X 10	4
15	56530017000	RETAINING PLATE	1
16	0991060166	FL.HEAD SCR.DIN7991-M6X16 10.9	2
18	0015080163	HH COLLAR SCREW M 8X16 WS=10	1
19	0603082121	SEAL RING CU DIN7603- 8X12X1	1
20	58530039400	ENGINE CASE SIL C4302 0,5	1
21	0985050103	OVAL HEAD SCR. DIN7985-M 5X10	1
23	0412174012	CYLIND.ROLL.NJ 203 ECP/C3 2001	1
24	0625618050	BALL BEARING 61805 C3	1
26	60030064070	OIL JET 70 M6X0,75 WS8 03	2
27	49030029000	OIL DRAIN PLUG M10X1,5 AH-WS=6 ONLY FOR USA	2
28	58440091000	STOP DISK 33 X 58 X 1,5	1
29	0603100141	COPPER GASKET DIN7603-10X14X1 ONLY FOR USA	2
30	5833010124423	CLUTCH COVER CPL. GREY 03 WITH OIL INSPECTION GLASS	1
31	58530025000	CLUTCH COVER GASKET 2001	1
32	58411085000	WIRING HARN. EPC F. ENGINE LC4	1
33	58030020100	PLUG CPL. M24X3	1
34	0770191015	O-RING 19,00X3,00 NBR	1
35	61030019050	CIRCLIP OIL LEVEL GLASS 03	1
36	59030019000	OIL LEVEL GLASS G 1777 Y	1
37	58011081100	CONTACT SCREW M10 STEEL '98	x
38	58333041000	BUMP RUBBER	1
39	58430047200	CHA.DAMPERSHEET 15/16T 92MM 03	1
40	58730047100	CHAIN DAMPERSHEET 17T 92MM 03	1
42	58430060100	SPROCKET COVER 05	1
43	54613038150	BUSHING 6,5X8X11	2

065843000 / C075843000

\* NEW PART

X AS REQUIRED

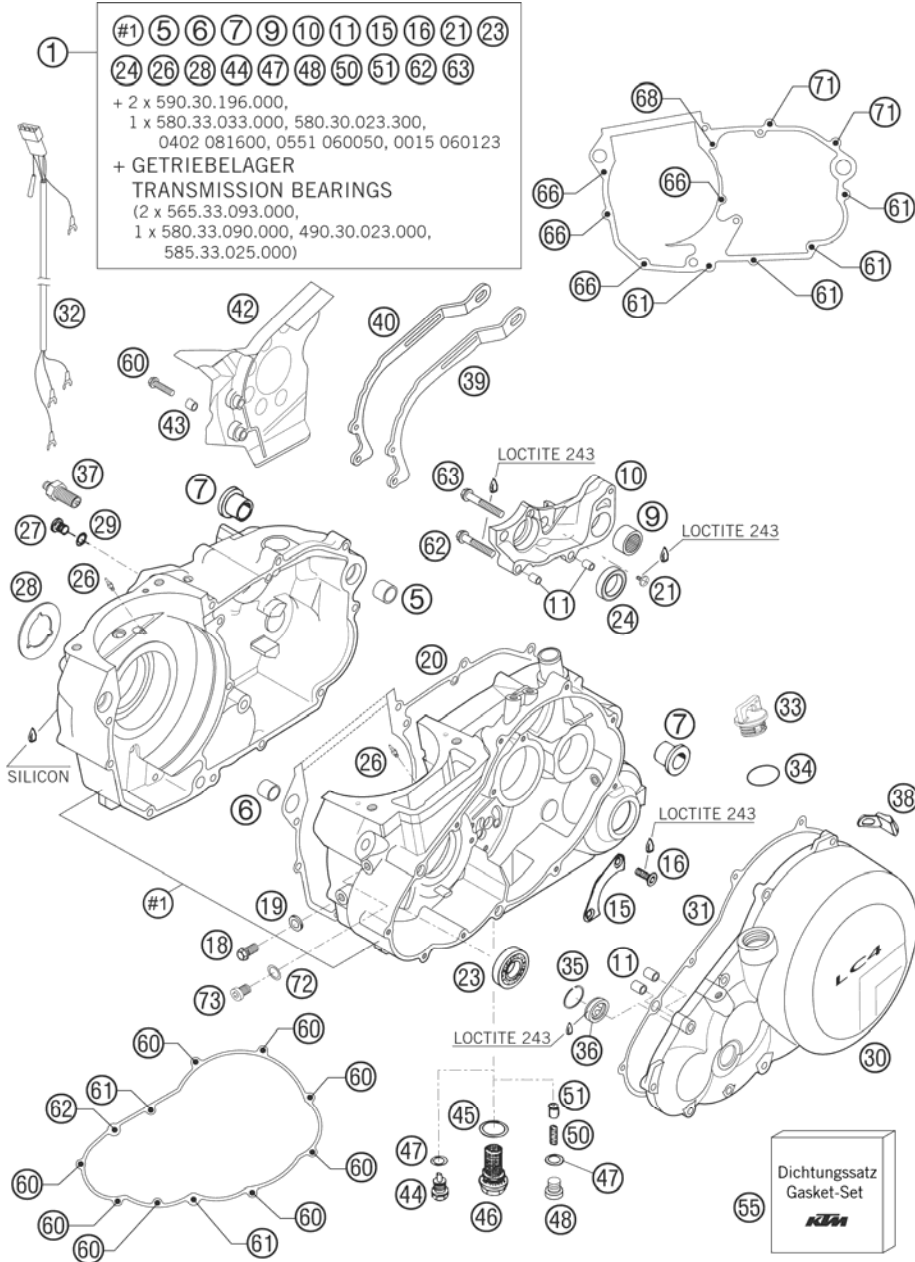


FIG	PART NUMBER	DESCRIPTION	QTY
44	58030021000	OILDRAIN PLUG W.MAG. M 12X1,5	1
45	58038017100	CU-SEAL RING DIN7603-22X27X2	1
46	58038019100	OIL DRAIN PLUG M22X1,5	1
47	58038022000	CU-SEAL RING DIN7603-12X18X1,5	2
48	0908120153	PLUG DIN0908-M12X1,5	1
50	58038023300	PRESSURE SPRING L=25MM D=1MM	1
51	58038028000	VALVE PISTON D=10MM	1
55	58430099200	GASKET SET LC4 2003	1
60	0015060253	HH COLLAR SCREW M 6X25 WS=8	10
61	0015060303	HH COLLAR SCREW M 6X30 WS=8	6
62	0015060353	HH COLLAR SCREW M 6X35 WS=8	2
63	0015060403	HH COLLAR SCREW M 6X40 WS=8	1
66	0015060553	HH COLLAR SCREW M 6X55 WS=8	4
68	0015060653	HH COLLAR SCREW M 6X65 WS=8	1
71	0015060303	HH COLLAR SCREW M 6X30 WS=8	2
71	0015060353	HH COLLAR SCREW M 6X35 WS=8	2
72	0603082131	COPPER GASK.DIN7603- 8,2X13X1	1
73	0908080013	PLUG M8X1 DIN 908	1

065843000 / C075843000

\* NEW PART

X AS REQUIRED

# CYLINDER

625 SXC 2007

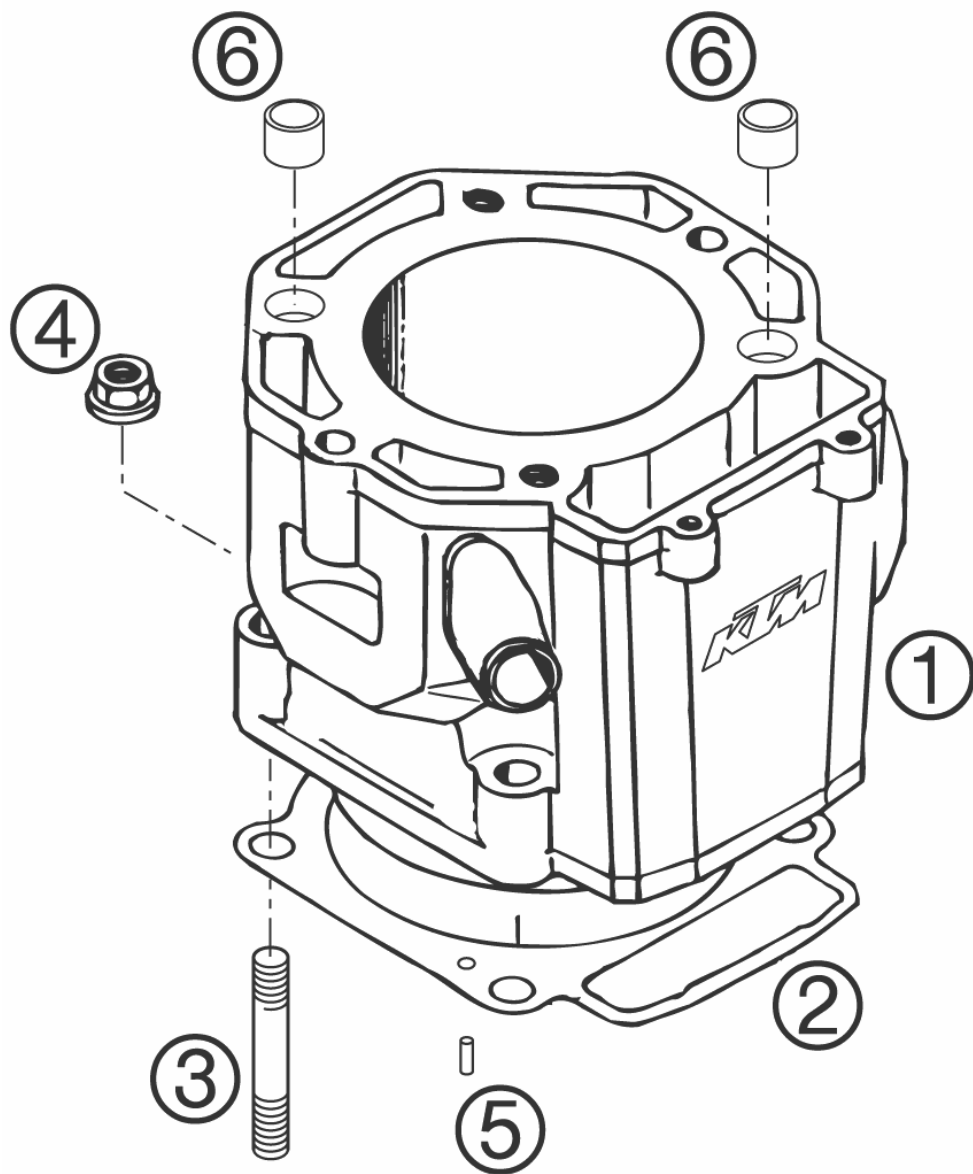


FIG	PART NUMBER	DESCRIPTION	QTY
1	5843000510023	CYLINDER D=101 DIECASTING 03	1
2*	58630035200	CYL. BASE GASKET 0,5MM M.SICKE	1
3	0835100456	STUD DIN0835-M10X45 ZINC COATED	4
4	0331100003	COLLAR NUT DIN6923-M10 WS=15	4
5	0402040980	NEEDLE ROL.DIN5402 NRB 4X9,8	2
6	58330023000	DOWEL 17 X 14 X 9,5	2

05584305 / C075843005

\* NEW PART

X AS REQUIRED

**ACHTUNG !!!**  
Vor dem Einbau des Vergasers,  
Bedüsung kontrollieren.

**CAUTION !!!**  
Before mounting the carburetor,  
check the jetting.

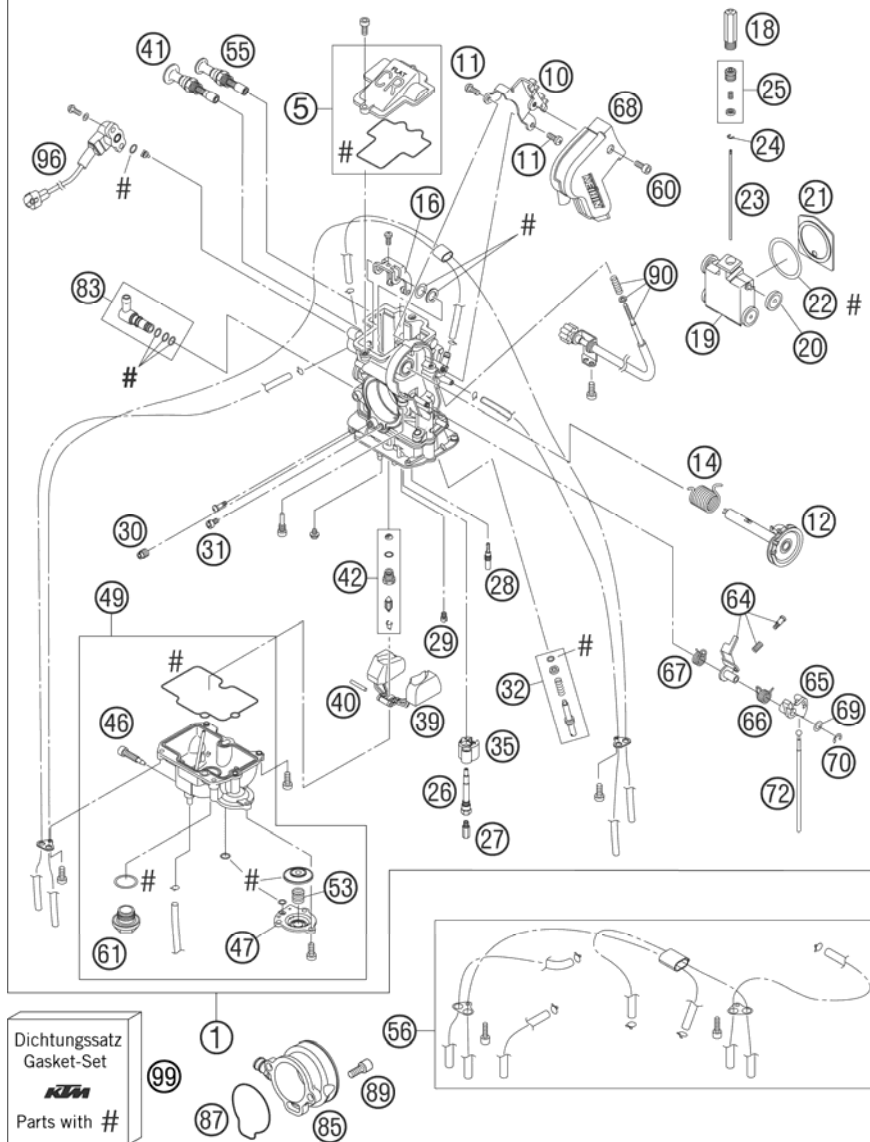


FIG	PART NUMBER	DESCRIPTION	QTY
1	58331001100	CARBURETOR KEIHIN FCR-41 MX 03	1
5*	57331027044	CARBURETOR COVER WITH GASKET	1
10	57331080000	BRACKET PLATE FOR THR. CABLE	1
11	57331055000	SCREW M 5 X 8	2
12	57331046000	THROTTLE SHAFT CPL.	1
14	57331046050	COIL SPRING THROTTLE SHAFT	1
16	57331035051	LINK ARM THROTTLE VALVE CPL.	1
18	58331029014	SLIDE STOP L=34,5MM 03	1
19	57331035000	THROTTLE VALVE CPL.	1
20	59031035050	BUSHING THROTTLE VALVE	4
21	57331035153	GASKET PLATE THROTTLE VALVE 04	1
22	59031035052	GASKET WASHER THROTTLE VALVE	1
23	57331034100	JET NEEDLE KEIHIN OBEKP	x
23	57331034200	JET NEEDLE KEIHIN OBEKQ	x
23	57331034300	JET NEEDLE KEIHIN OBEKR	x
23	57331034400	JET NEEDLE KEIHIN OBEKS	x
23	57331034500	JET NEEDLE KEIHIN OBEKT	x
23	59031023200	JET NEEDLE KEIHIN OBDVT	1
24	59031029000	BAR CLIP	1
25	57331032000	NEEDLE SET SCREW CPL.	1
26	59031121000	NEEDLE JET FCR-MX	1
27	54531623160	MAIN JET 160 KEIHIN	x
27	54531623162	MAIN JET 162 KEIHIN	x
27	54531623165	MAIN JET 165 KEIHIN	1
27	54531623168	MAIN JET 168 KEIHIN	x
27	54531623170	MAIN JET 170 KEIHIN	x
27	54531623172	MAIN JET 172 KEIHIN	x
27	54531623175	MAIN JET 175 KEIHIN	x
27	54531623178	MAIN JET 178 KEIHIN	x
27	54531623180	MAIN JET 180 KEIHIN	x
27	54531623182	MAIN JET 182 KEIHIN	x
27	54531623185	MAIN JET 185 KEIHIN	x
27	54531623188	MAIN JET 188 KEIHIN	x
27	54531623190	MAIN JET 190 KEIHIN	x
28	54531607040	IDLE JET 40 KEIHIN	x
28	54531607042	IDLE JET 42 KEIHIN	1

065833100 / C075833100

\* NEW PART

X AS REQUIRED

**ACHTUNG !!!**  
Vor dem Einbau des Vergasers,  
Bedüsung kontrollieren.

**CAUTION !!!**  
Before mounting the carburetor,  
check the jetting.

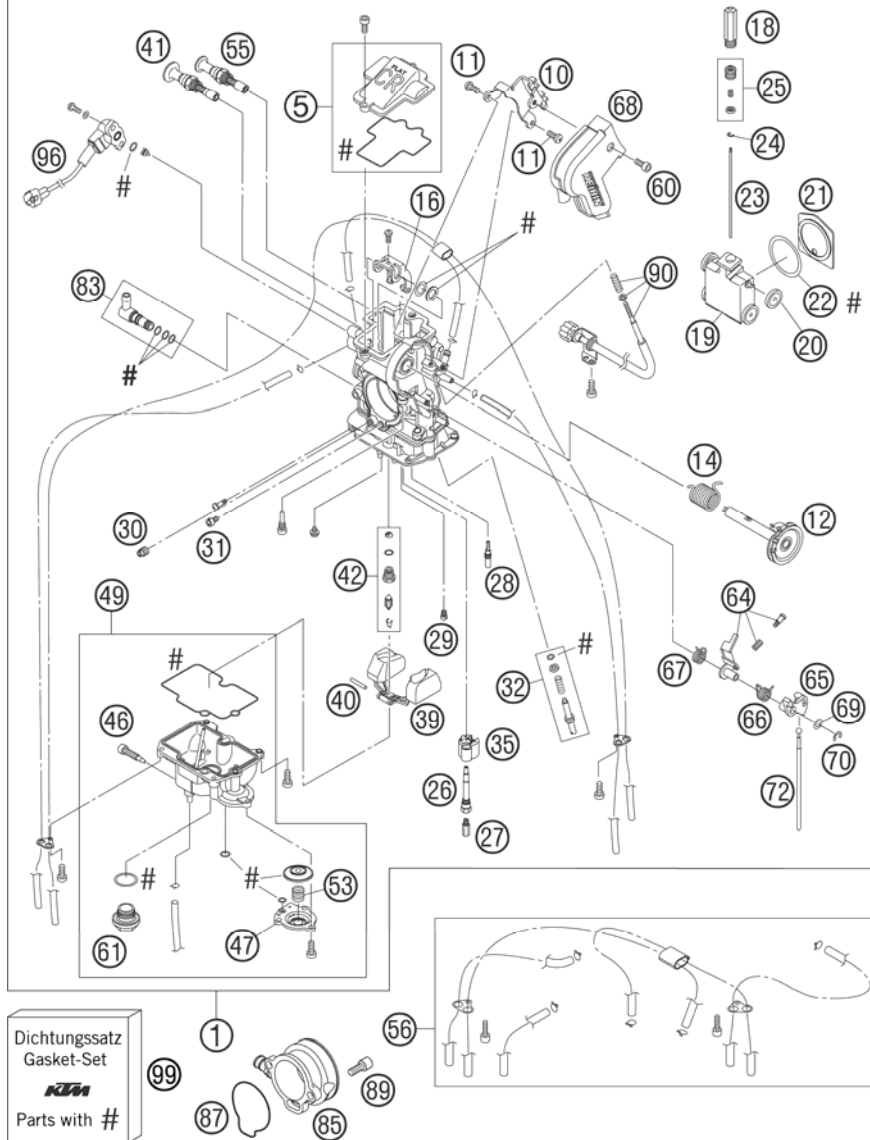


FIG	PART NUMBER	DESCRIPTION	QTY
28	54531607045	IDLE JET 45 KEIHIN	x
29	59031051085	STARTER JET 85	1
30	57331007100	IDLE AIR JET 100 KEIHIN	1
31	57331037200	MAIN AIR JET 200 KEIHIN	1
32	59031017100	ADJUST SCREW CPL. FCR-MX	1
35	57331085000	BUFFER PLATE	1
39	57331009000	FLOAT CPL.	1
40	57331008000	ARM PIN FLOAT	1
41	57331075000	HOT-STARTER VALVE CPL.	1
42	57331020000	NEEDLE VALVE CPL.	1
46	57331155000	DRAIN SCREW FLOAT CHAMBER	1
47	57331060000	COVER ACCELERATOR PUMP	1
49	57331011000	FLOAT CHAMBER CPL. SET	1
53	59031059000	COIL SPRING	1
55	57331048000	STARTER VALVE CPL.	1
56	57331098000	BREATH.HOSE FCR-MX KEIHIN CPL.	1
60	57331038100	SCREW F. COVER KEIHIN	1
61	54531699000	PLUG M 18X1	1
64	57331062000	INTERMEDIATE LEVER CPL.	1
65	57331056000	LINK LEVER	1
66	57331059000	SPRING LINK LEVER	1
67	57331159000	SPRING INTERMEDIATE LEVER	1
68	57331038000	CARBURETOR COVER	1
69	57331087000	WASHER LINK LEVER	1
70	57331084000	E-CLIP	1
72	57331061000	ROD ACCELERATOR PUMP	1
83	59031013044	HOSE CONNECTOR CPL.	1
85	59031040200	INTAKE FUNNEL FCR/FCR-MX 02 SIDEWARDS CLOSED	1
87	59031040010	O-RING FOR INTAKE FUNNEL	1
89	0912050123	AH SCREW DIN0912-M 5X12	2
90	57331025000	STOP SCREW CPL. FCR-MX	1
96	58331077000	TPS-SENSOR FCRMX 220MM 03-05	1
99	57331099000	GASKET SET FCR-MX KEIHIN	1

065833100 / C075833100

\* NEW PART

X AS REQUIRED

# SECONDARY AIR SYSTEM

625 SXC 2007

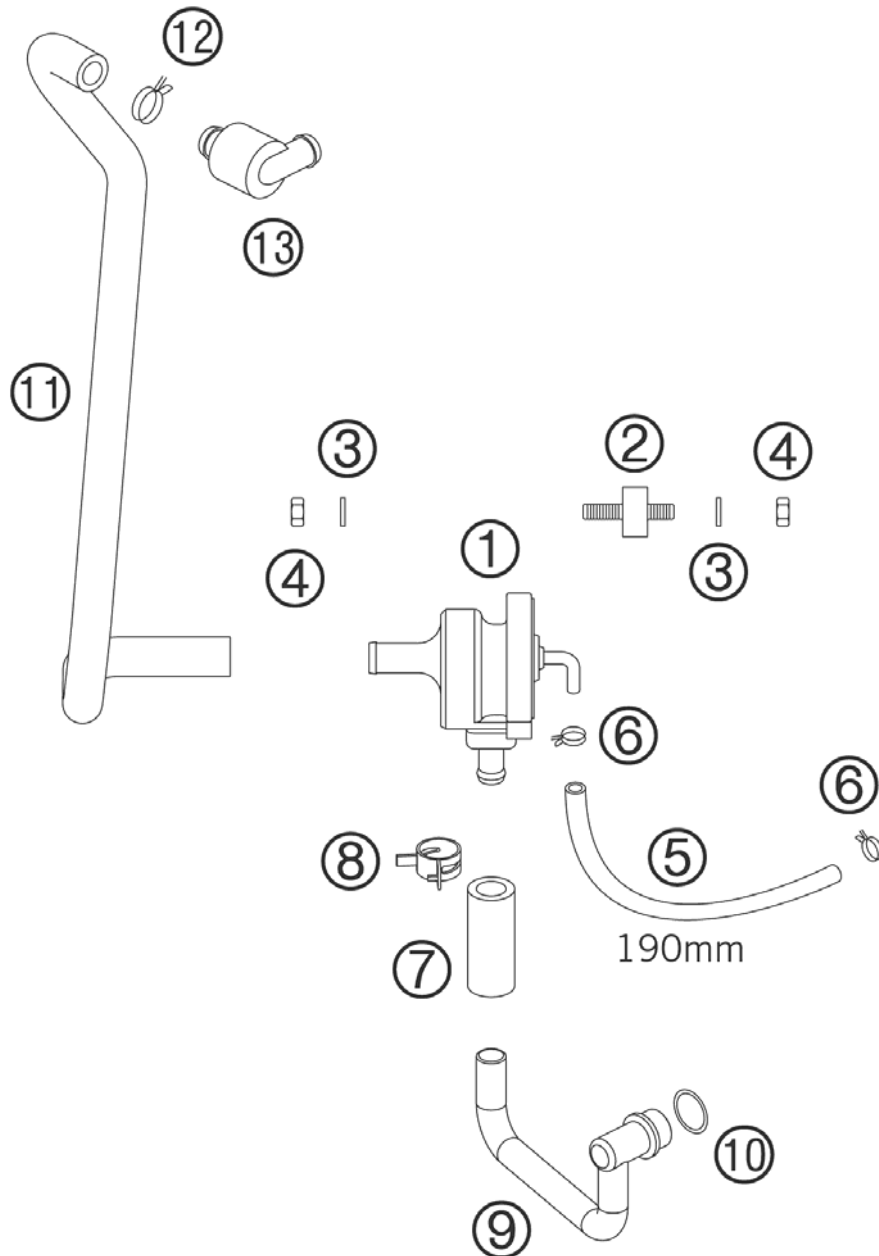


FIG	PART NUMBER	DESCRIPTION	QTY
1	58405026100	SAS-VALVE 04	1
2	58405021000	SILENTBLOCK 20X10 M6X10/M6X16	2
3	0797060003	TOOTH LOCK WASH. DIN6797-A 6,4	4
4	0934060003	HEXAGON NUT DIN0934-M 6	4
5	58405029001	ND-HOSE 4X9 PER METER	1
6	45031005000	YDNAC-CLAMP FUEL HOSE (8MM)	2
7	58405019000	HOSE SAS-VALVE - CONNECT. TUBE	1
8	00049170121	CLAMP STD DN17	2
9	58405027100	CONNECTING TUBE SAS 04	1
10	58436054000	CU-SEAL RING 12 X 16 X 2	1
11	58405020000	PREFORMED HOSE SAS 04	1
12	58431082100	YDNAC-CLAMP 10173 (16MM) '98	1
13	58431070100	AIR FILTER LC4 FOR EPC 2005	1

065843102 / C075843102

\* NEW PART

X AS REQUIRED

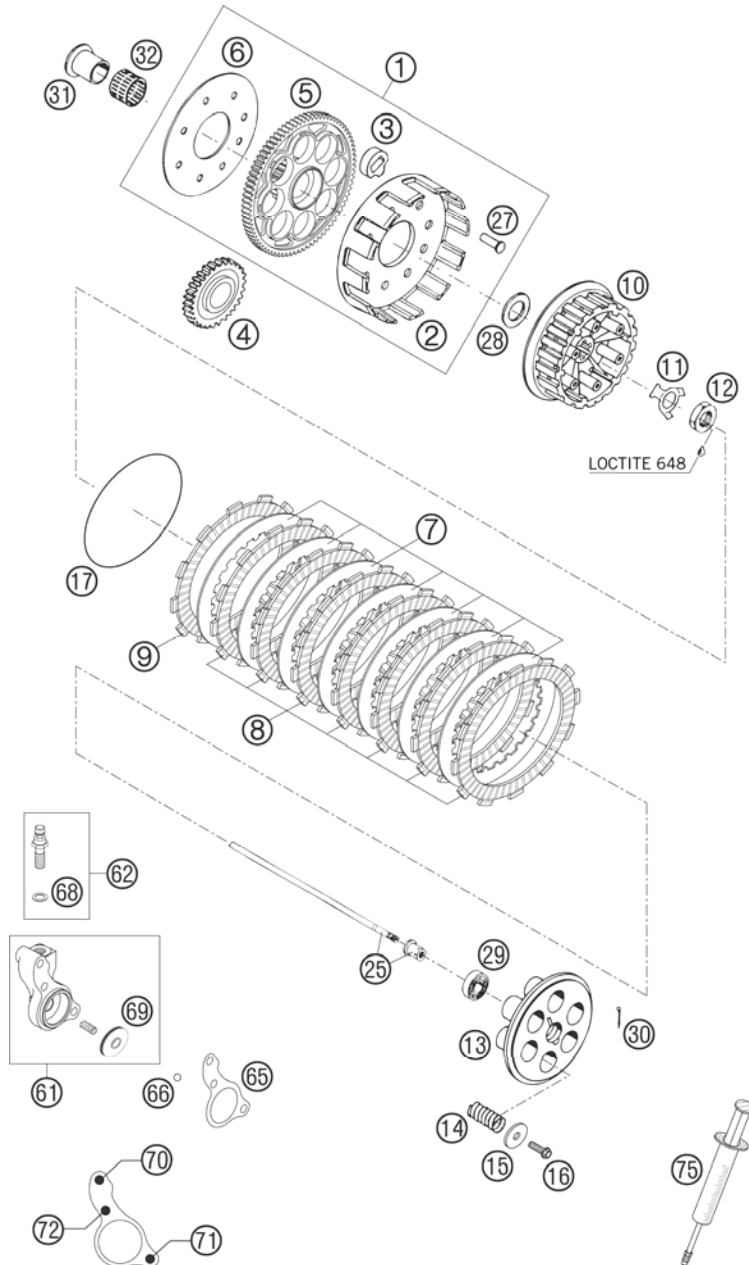


FIG	PART NUMBER	DESCRIPTION	QTY
1	58432001144	OUT.CLUTCH HUB CPL.79-T LC4 04	1
2	58432001000	OUTER CLUTCH HUB LOOSE LC4 03	1
3	58332026000	DAMPING ELEMENT '94	8
4	58532000131	PRIMARY GEAR WHEEL 31-T 2001	1
5	58532000079	CLUTCH WHEEL 79-T 2001	1
6	58332028000	BRACKET 57 x 132 x 1,5 '94	1
7	58332112000	STEEL DISK 1,5 MM LC4'94	7
8	58332011300	LINING DISK 2,7MM FCC 02	7
9	58332111300	LINING DISK TURN OUT FCC 02	1
10	58332002300	INNER CLUTCH HUB LC4/LC4-E 04	1
11	58332018000	LOCK WASHER '94	1
12	0936181505	HEXAGON NUT DIN0936-M18X1,5 R.	1
13	58332003300	PRESSURE CAP LC4/LC4-E 04	1
14	58332080000	CLUTCH SPRING 2,8 X 37	6
15	58432081000	WASHER 6,5 X 20 X 2	6
16	0015060203	HH COLLAR SCREW M 6X20 WS=8	6
17	0770116030	O-RING 116,00X3,00 HNBR 70	1
25	57332017044	PUSH ROD L=215MM CPL. 03 WITH PRESSURE BOLT	1
27	58332007000	RIVET 6 X 23 X 11,2	8
28	57532013000	SUPPORTWASHER 22,2X35X3 HARDE.	1
29	0625060016	GROOV.BALL BEAR. 6001.2RSR C3	1
30	0094020163	PIN DIN0094-2,0X16	1
31	50332070000	INNER RING WITH COLLAR	1
32	56532095000	NEEDLE BEARING K26X30X22ZW.KSE	1
61	50332061044	CYLINDER CPL. 125/200'98	1
62	50332062000	HOLLOW SCREW CPL. M 10X1 '98	1
65	58632065000	CLUTCH RELEASE GASKET	1
66	0401070003	BALL DIN5401-7	1
68	42013226000	CU-SEAL RING DIN7603-10X16X1	1
69	50332066000	PISTON W. O-RING 125/200 2000	1
70	0912060303	AH SCREW DIN0912-M 6X30	1
71	0984060163	AH SCREW DIN6912-M 6X16 WITH LOW HEAD	1
72	0912060253	AH SCREW DIN0912-M 6X25	1
75	50329050000	VENT INJEKTION HYDR. CLUTCH	1

05584320 / C065843200

\* NEW PART

X AS REQUIRED

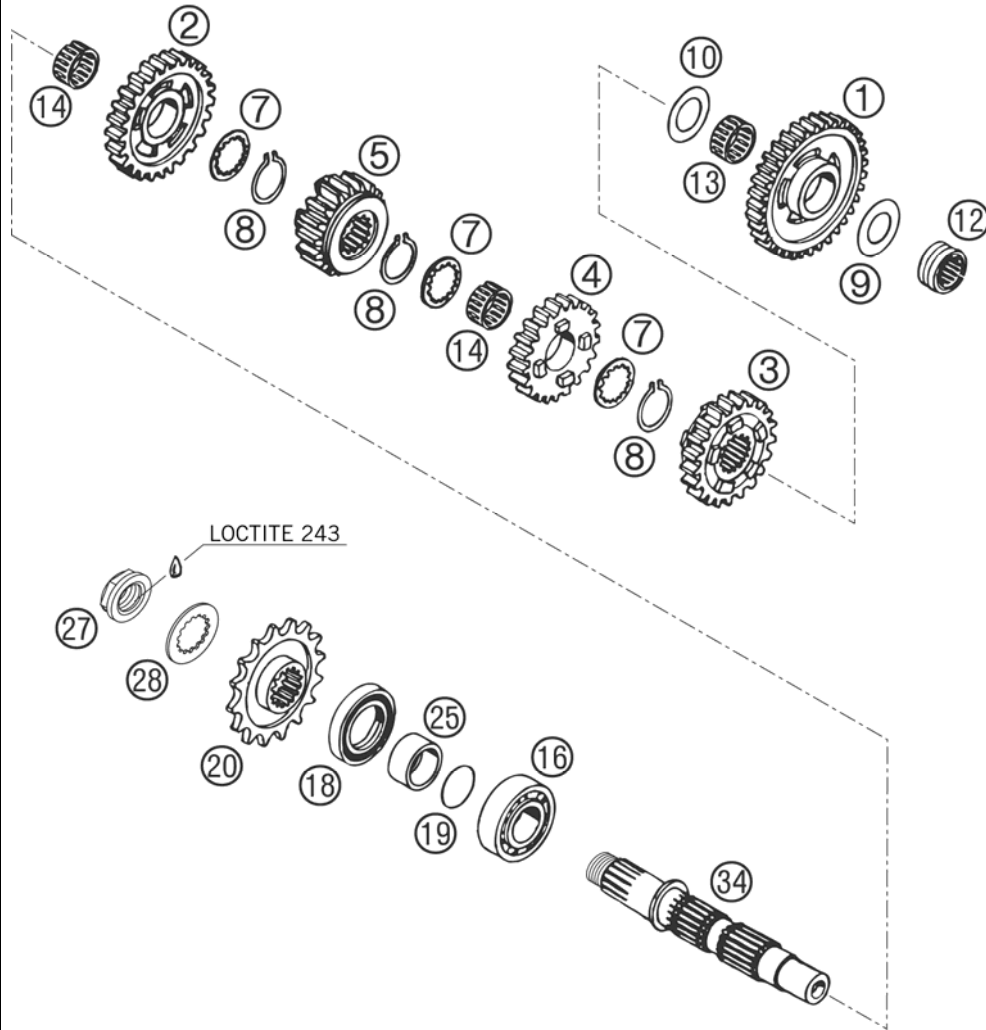


FIG	PART NUMBER	DESCRIPTION	QTY
1	56533005300	IDLER GEAR 1.G 35-T (1M3)	1
2	58333113010	IDLER GEAR 2.G 24-T "10"	1
3	58333007003	SLIDING GEAR 3.G 21-T "03"	1
4	58333009005	IDLER GEAR 4.G 19-T "05"	1
5	58333011009	SLIDING GEAR 5.G 18-T "09"	1
7	56533016300	STOP DISK 22,7 X 32 X 1,5	3
8	52033096000	LOCK RING DINO471-25X1,64SD	3
9	56533015000	STOP DISK 20,2 X 35 X 1	1
10	56533018300	STOP DISK 22,2 X 35 X 1,5	1
12	56533093000	NEEDLE BEARING RNA 4902 KSE	1
13	56533098000	NEEDLE BEARING K22X26X13H	1
14	0405222613	NEEDLE BEAR. K 22X26X13 TN	2
16	49030023000	CYL.ROLL BEARING NJ205	1
18	0760324771	SHAFT SEAL RING 32X47X7 BSL	1
19	0770250021	O-RING 25,00X2,00 SILICONE	1
20	58033029014	ENGINE SPROCKET 14 T	x
20	58033029015	ENGINE SPROCKET 15 T	x
20	58033029016	ENGINE SPROCKET 16 T	x
20	58033029017	ENGINE SPROCKET 17 T	x
25	54633014100	SPACER BUSHING 12MM	1
27	58033032200	SPROCKET NUT LC4	03
28	51033031000	LOCK WASHER	1
34	58333003100	COUNTERSHAFT	03

05584331 / C065843301

\* NEW PART

X AS REQUIRED



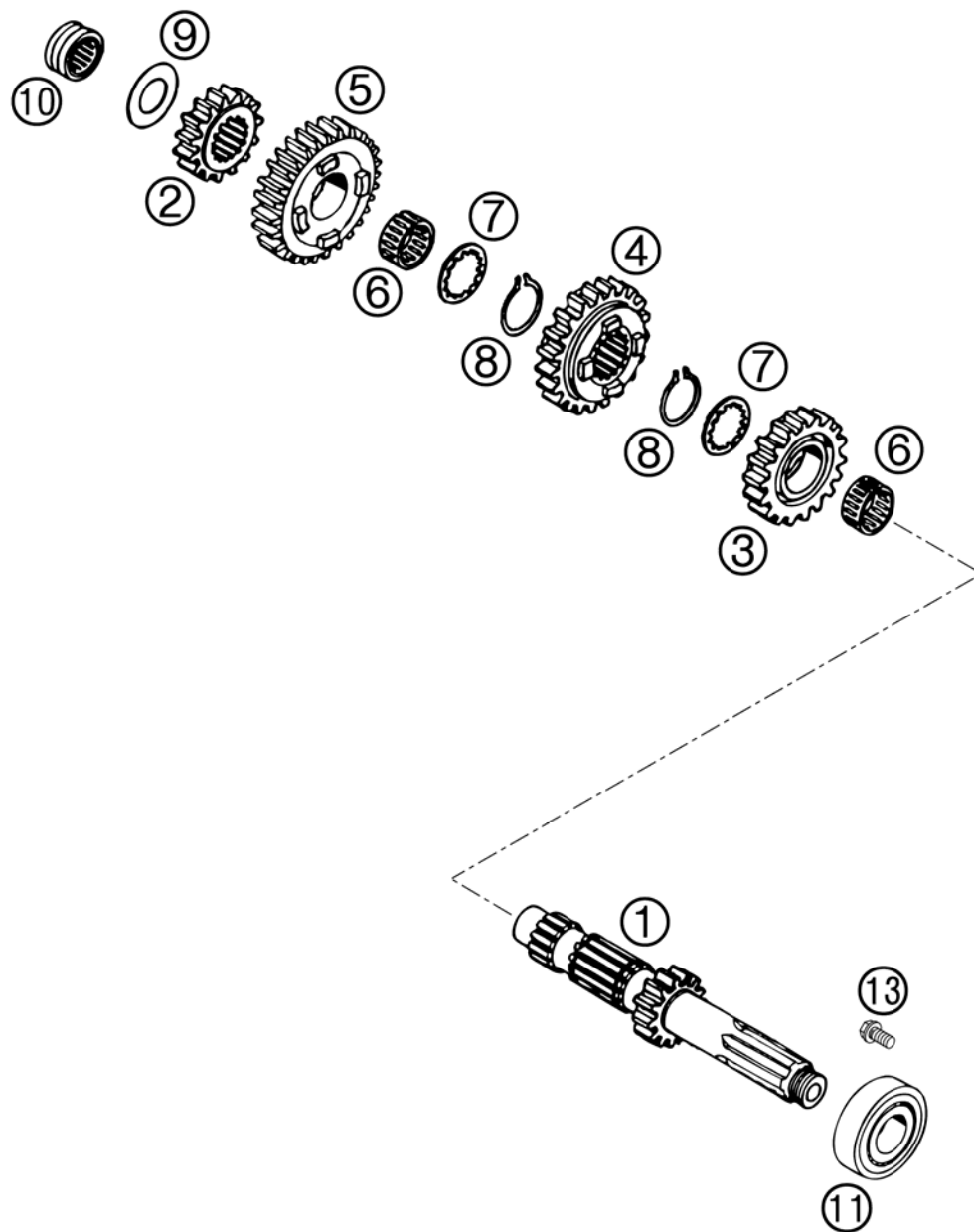


FIG	PART NUMBER	DESCRIPTION	QTY
1	58333002100	MAIN SHAFT 14-T '96	1
2	56533010300	SOLID GEAR 2.G 15-T (2G3)	1
3	58333004002	IDLER GEAR 3.G 18-T "02"	1
4	58333006004	SLIDING GEAR 4.G 20-T "04"	1
5	58333008008	IDLER GEAR 5.G 22-T "08"	1
6	0405222613	NEEDLE BEAR. K 22X26X13 TN	2
7	56533016300	STOP DISK 22,7 X 32 X 1,5	2
8	52033096000	LOCK RING DINO471-25X1,64SD	2
9	56533015000	STOP DISK 20,2 X 35 X 1	1
10	56533093000	NEEDLE BEARING RNA 4902 KSE	1
11	58533025000	CYL.ROLL BEARING BC1-0076A	1
13*	0014060153	HH COLLAR SCREW M 6X15 WS=8	1

03583330 / C075843300

\* NEW PART

X AS REQUIRED

# SHIFTING MECHANISM

625 SXC 2007

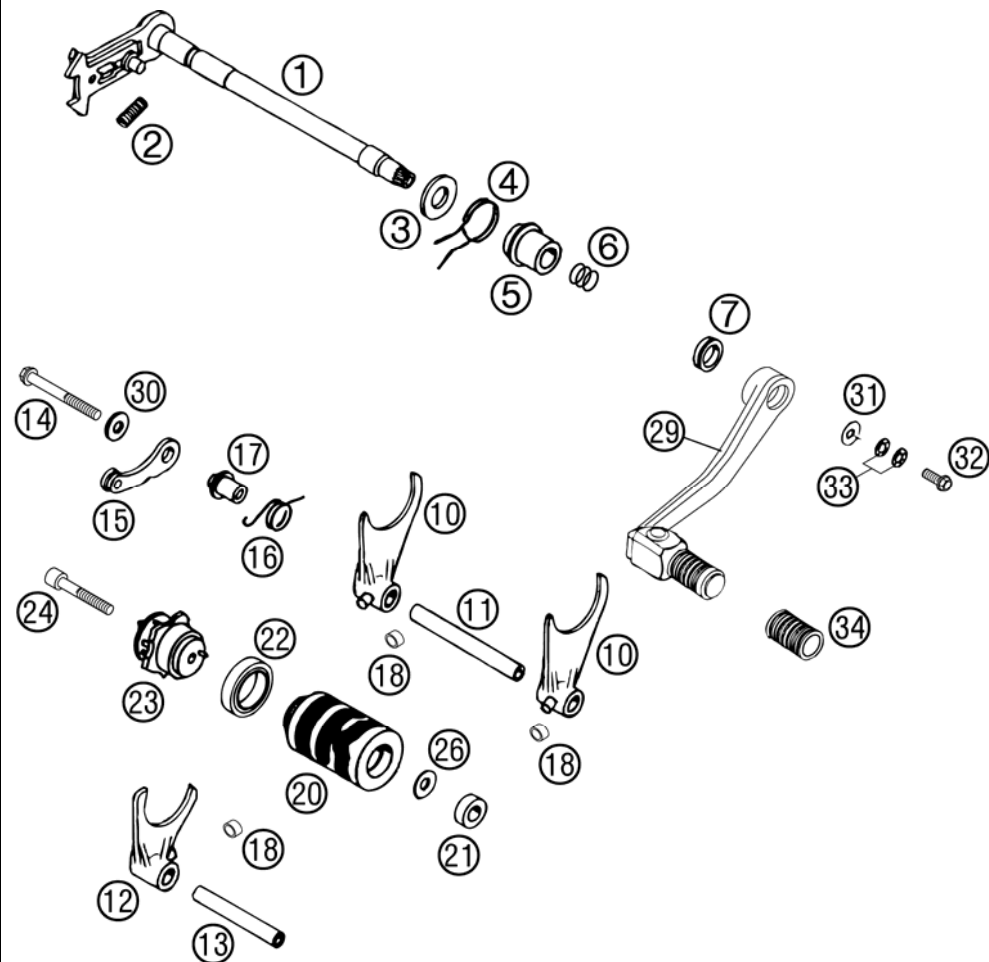


FIG	PART NUMBER	DESCRIPTION	QTY
1	58334005044	SHIFT SHAFT CPL. LC4'94	1
2	56534013100	TENSIONING SPRING 0,8MM	1
3	58034010000	STEEL WASHER 14 X 28 X 2	1
4	58034014000	RETURN SPRING	1
5	58334020000	SPRING SLEEVE	1
6	0770125020	O-RING 12,50X2,00 NBR 70	2
7	58033027000	V-SEAL RING V-14-A	1
10	58034002300	SHIFT FORK 1ST/4TH+2ND GEAR'98	2
11	58034004000	SHIFT RAIL 1ST/4TH + 2ND GEAR	1
12	58034001300	SHIFT FORK 3RD/5TH GEAR '98	1
13	58034003000	SHIFT RAIL 3RD/5TH GEAR	1
14	0015060653	HH COLLAR SCREW M 6X65 WS=8	1
15	58334024044	LOCKING LEVER CPL. '94	1
16	58034023500	SPRING	1
17	58334017000	SPRING SLEEVE	1
18	50334018100	SHIFTING ROLLER 6X8X5,2	3
20	58334012000	SHIFT ROLLER STEEL	1
21	0625006087	GROOVED BALL BEAR. 608 2RS C3	1
22	0625618050	BALL BEARING 61805 C3	1
23	58434015044	SHIFT LOCATING DRUM CPL. '98	1
24	0912060404	AH SCREW DIN0912-M 6X40 A2	1
26	51006097000	WASHER 6,2X22X1,ST30,W.GALV.	1
29	58434031144	SHIFT LEVER CPL. LC4,COMP. '98	1
30	50232050000	WASHER 6,2X18X2	1
31	50232050001	STEEL WASHER 6,4X17X3	1
32	0015060163	HH COLLAR SCREW M 6X16 WS=8	1
33	50233041000	PAIR OF WASHERS M 6 NORDLOCK	1
34	36205018000	RUBBER	1

03583340 / C065833400

\* NEW PART

X AS REQUIRED

# WATER PUMP

625 SXC 2007

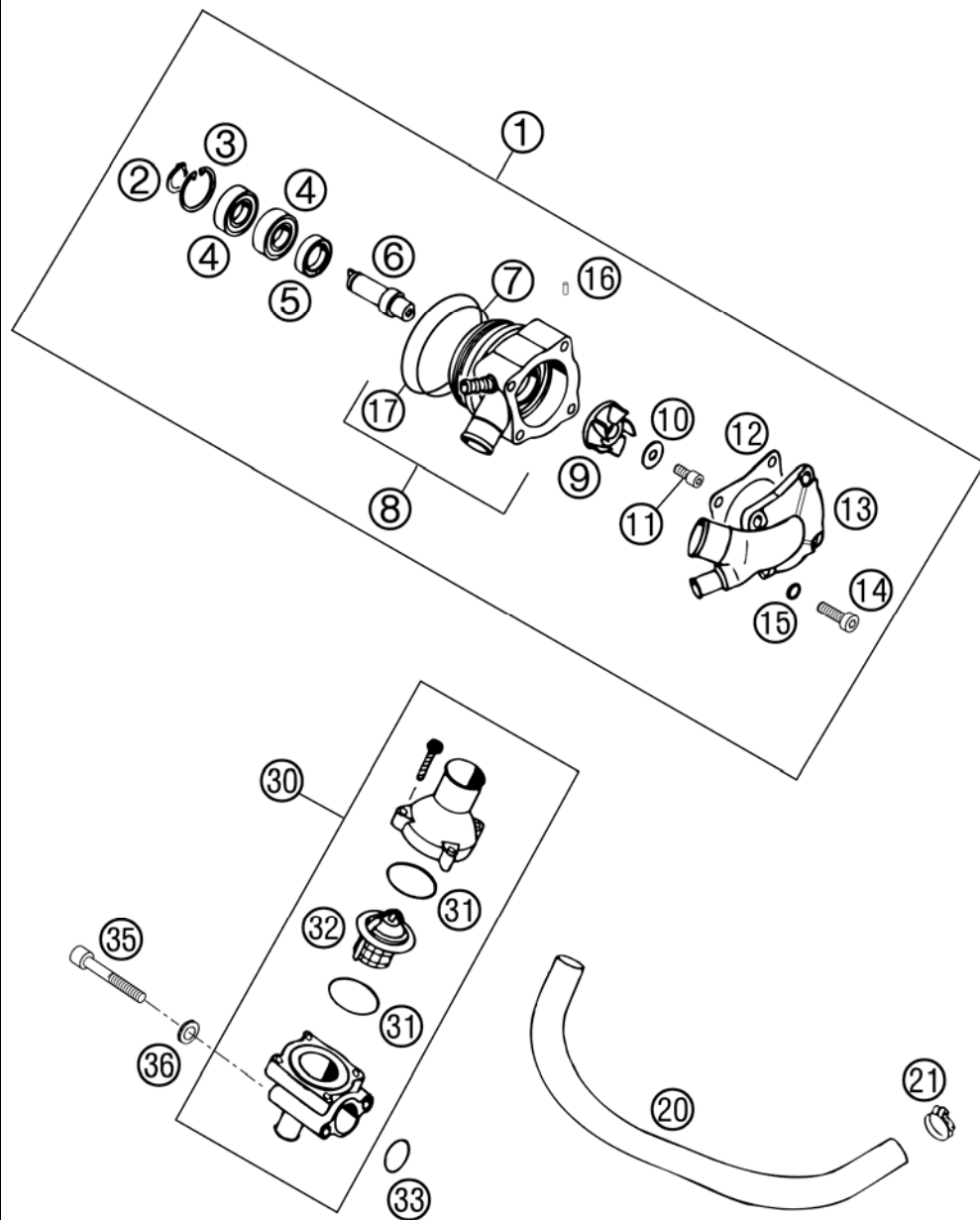


FIG	PART NUMBER	DESCRIPTION	QTY
1	58335050044	WATER PUMP MECHANIC CPL.'94	1
2	0471120010	CIRCLIP DIN0471-12X1	1
3	0472280120	CIRCLIP DIN0472-28X1,2	1
4	0625060016	GROOV.BALL BEAR. 6001.2RSR C3	2
5	0760152472	SHAFT SEAL RING 15X24X7 A-DUO	1
6	54435010000	WATER PUMP SHAFT	1
7	0770047015	O-RING 47,00X1,50 NBR 70	1
8	58035002644	WATER PUMP CASE CPL. 4T '00	1
9	56535005300	WATER PUMP WHEEL	1
10	0021050003	WASHER DIN9021-A 5,3	1
11	0912050123	AH SCREW DIN0912-M 5X12	1
12	56535003300	WATER PUMP COVER GASKET	1
13	58335001244	WATER PUMP COVER LC4 '99	1
14	0984060203	AH SCREW DIN6912-M 6X20 8.8	4
15	0603061001	CU-SEAL RING DIN7603-6X10X1	4
16	0402025580	NEEDLEROLL.DIN5402 NRB 2,5X5,8	x
17	0770049025	O-RING 49,00X2,50 NBR	1
20	58335025350	RADIATOR HOSE 12X3 04	x
21	58335099000	HOSE CLAMP GEMI 10-16	2
30	58335013044	THERMOSTAT CPL. 70 DG LC4'94	1
31	0770320020	O-RING 32,00X2,00	2
32	58335017000	THERMOSTAT 70 DEGREES '94	1
33	0770021020	O-RING 21,00X2,00 NBR70	1
35	0912060453	AH SCREW DIN0912-M 6X45	2
36	0125060003	WASHER DIN0125-A 6,4	2

03583352 / C065833502

\* NEW PART

X AS REQUIRED

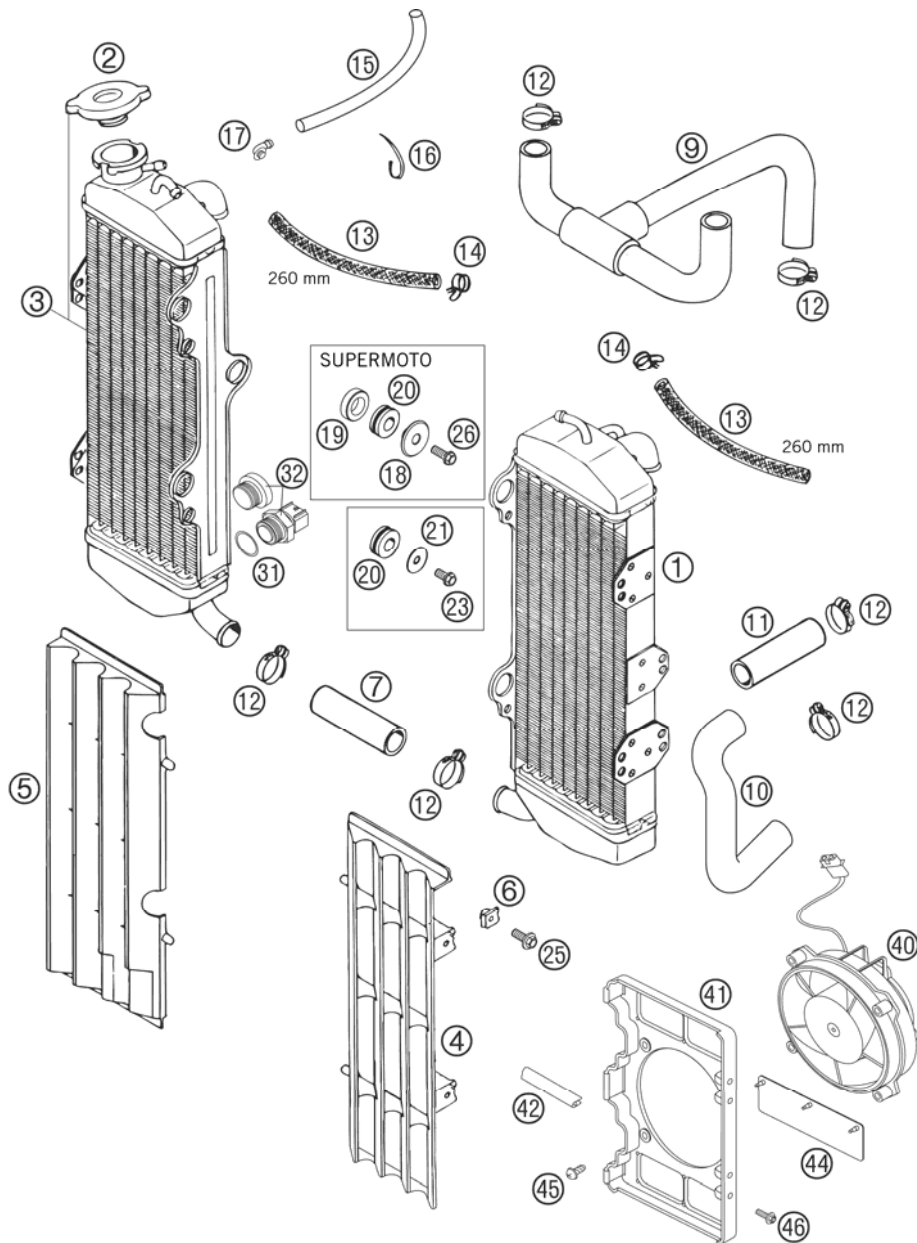


FIG	PART NUMBER	DESCRIPTION	QTY
1	58335008000	RADIATOR L/S (45246) LC4'94 BLACK	1
2	58035016000	RADIATOR CAP SMALL 20,3 PSI	1
3	58335008200	RADIATOR R/S (45.403) SXC 03 BLACK; WITHOUT FAN SWITCH	1
4	58035034000	RADIATOR PROTECTOR L/S BLACK	1
4	58035034100	RADIATOR PROTECT. L/S WHITE'96	x
5	58035134000	RADIATOR PROTECTOR R/S BLACK	1
5	58035134100	RADIATOR PROTECT. R/S WHITE'96	x
6	50235033300	SNAP-NUT HOLDER M6 KP142	4
7	56535025001	RADIATOR HOSE 18X25 PER METRE	x
9	58335026000	PREFORMED HOSE LC4'94	1
10	58435025800	PREFORMED HOSE	1
11	58335024001	RADIATOR HOSE 20X26	x
12	10001020000	HOSE CLAMP GEMI 16-27	9
13	54435024001	HOSE ID 7,5 PER METER	1
14	58031005000	CLAMP YDNAC 10128 12MM	4
15	55007016001	PVC-HOSE 7X10 PER METER	x
16	44011076200	CABLE TIE 200/3,6MM BLACK	x
17	50303089000	ANGEL PIECE '97	1
18	58435002000	BUSHING F. RADIATOR SUPPORT 03	6
19	58435003000	BUSHING F.RADIATOR DISTANCE 03	6
20	41001052000	RUBBER SLEEVE D=12MM	6
21	0021060003	WASHER DIN9021-A 6,4	6
23	0015060123	HH COLLAR SCREW M 6X12 WS=8	6
25	0014060153	HH COLLAR SCREW M 6X15 WS=8	4
26	0015060163	HH COLLAR SCREW M 6X16 WS=8	6
31	0770017015	O-RING 17X1,5 NB75	1
32	0908180153	PLUG DIN0908-M18X1,5 625 SXC	1
32	58435045098	THERMOSWITCH 98 °C FOR FAN 03 625/660 SMC, 640 LC4, ADV.	1
40	58435041000	FAN CPL. 12V LC4 2000	1
41	58435044000	FAN CAP LC4 2000	1
42	58312085100	EDGE PROTECTOR PER METER	x
44	58435044050	FAN FLAP RUBBER LC4 2000	2

05584350 / C065843500

\* NEW PART

X AS REQUIRED

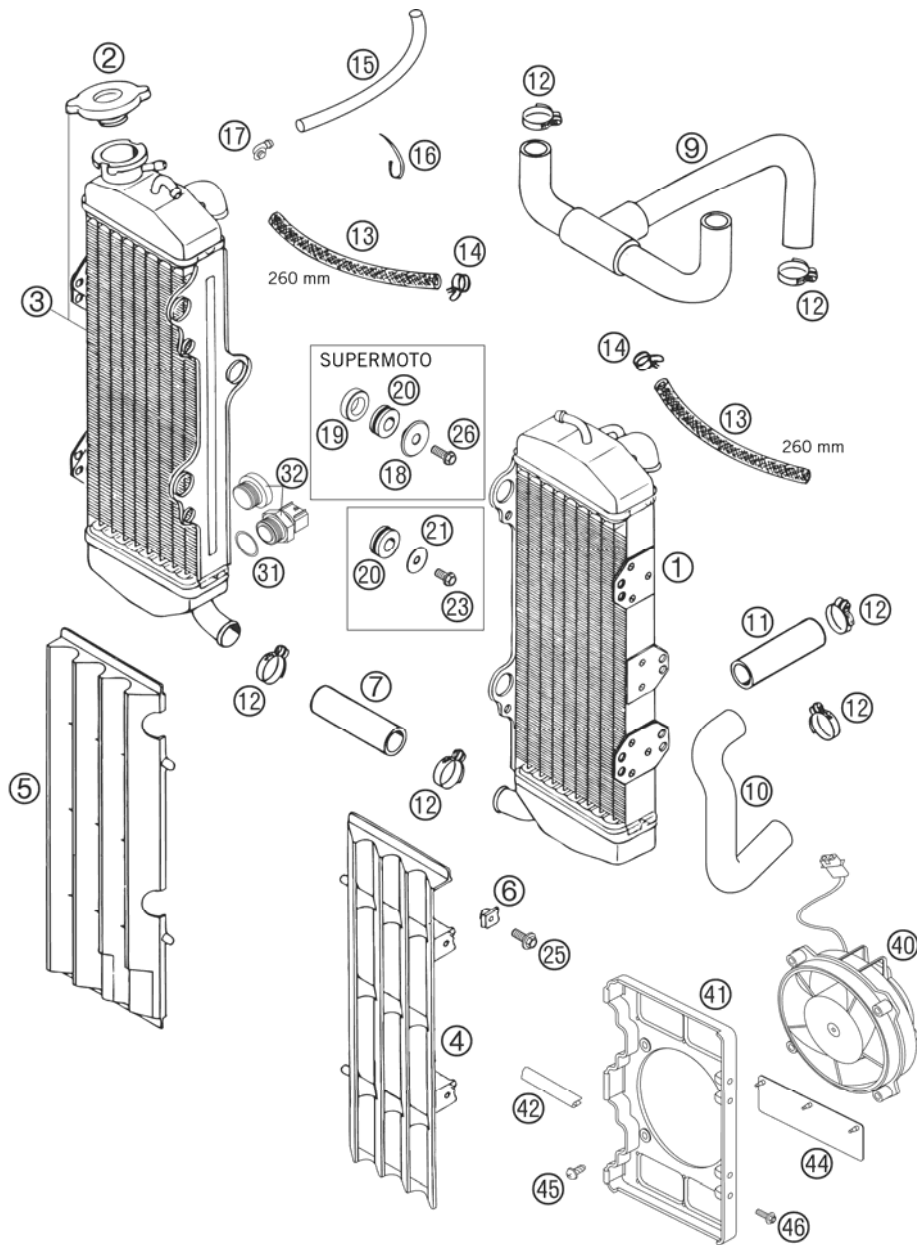


FIG	PART NUMBER	DESCRIPTION	QTY
45	0081500181	SCREW FOR PLASTIC D=5X18	4
46	0017060203	EJOT PT SCREW K60X20 WS=6	2

05584350 / C065843500

\* NEW PART

X AS REQUIRED

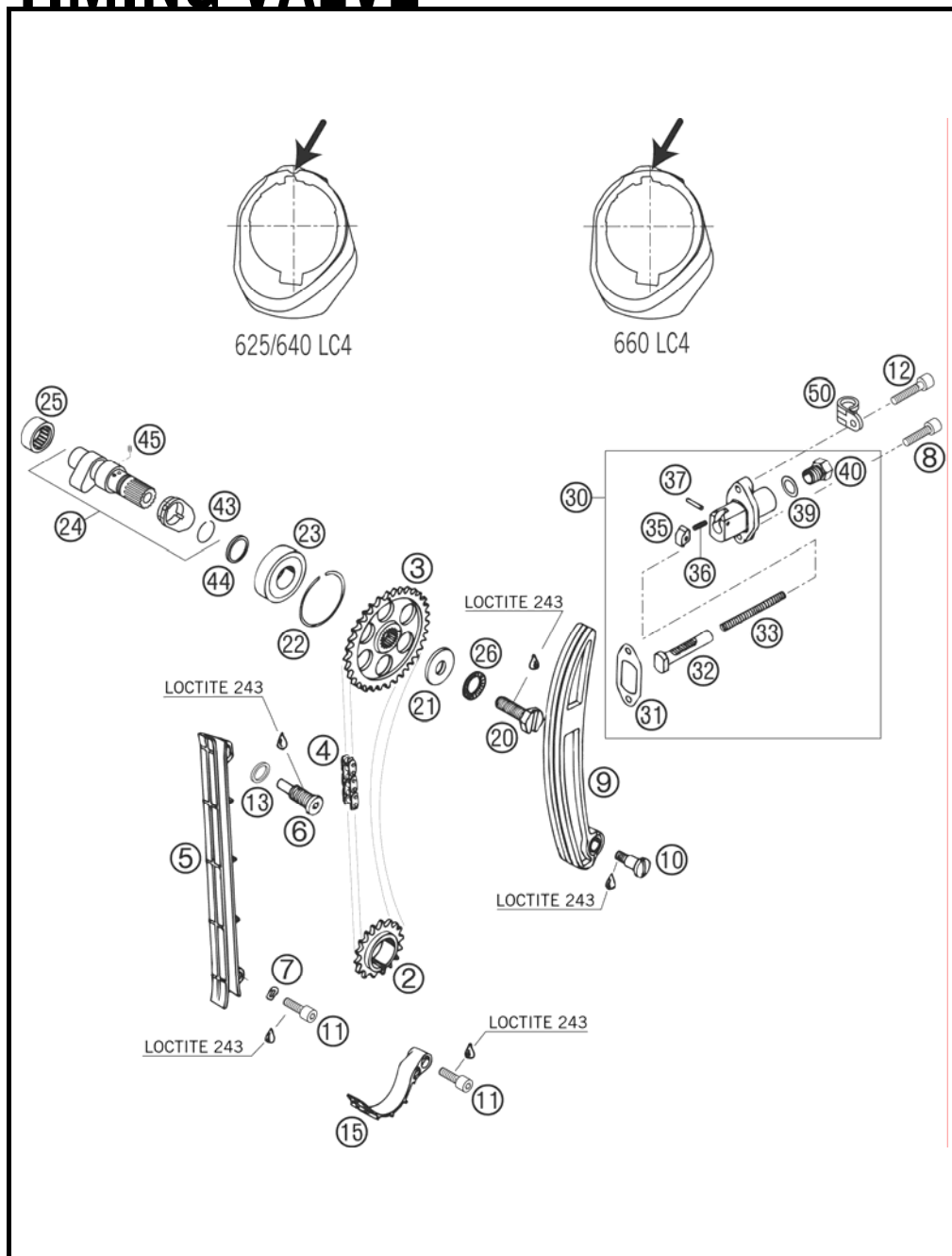


FIG	PART NUMBER	DESCRIPTION	QTY
2	58036014000	TIMING GEAR 17-T	1
3	58336011001	CAMSHAFT GEAR 34-T "01" '94	1
4	58036013000	TIMING CHAIN C107C / 100 LINKS	1
5	58036001000	TIMING CHAIN GUIDE	1
6	58036009000	CHAIN GUIDE SCREW	1
7	0137060003	SPRING WASHER DIN0137-B 6	1
8	0912060253	AH SCREW DIN0912-M 6X25	1
9	58036002000	TIMING CHAIN TENSIONER	1
10	0923080120	FLAT HEAD SCR. M 8X12	1
11	0912060208	AH SCREW DIN0912-M 6X20 SS	2
12	0912060303	AH SCREW DIN0912-M 6X30	1
13	58038022100	CU-SEAL RING 12 X 16 X 2	1
15	58336018000	SECURING GUIDE	1
20	58336112000	DRIVING SCREW M10X25	1
21	58036012000	STEEL WASHER 10 X 28 X 3	1
22	58036096000	CIRCLIP SB 42	1
23	0625060040	GROOVED BALL BEARING TMB004	1
24	58336110044	CAMSHAFT CPL. 249/1 LC4-E	1
25	58036097000	NEEDLE BEARING BK 2012	1
26	36003014200	LOCKING WASHER 10MM	1
30	58036003144	AUTOM.TENSIONER CPL. '88	1
31	58036005100	TENSIONER GASKET 1,5 MM	1
32	58036004100	PRESSURE BOLT	1
33	58036006100	PRESSURE SPRING 0,9MM	1
35	58036007100	RATCHETING PAWL	1
36	58036007050	PRES.SPRING F.RATCHETING PAWL	1
37	0402031780	NEEDLE ROL.DIN5402 NRB 3X17,8	1
39	58038022000	CU-SEAL RING DIN7603-12X18X1,5	1
40	58036008100	PLUG M12X1,5	1
43	0417200120	CIRCLIP WS20	1
44	58336015000	STEPPED RING	1
45	58336016052	SPRING FOR AUTO-DECOMPR. '95	1
50	54211052000	CLAMP RSGU 24/15	1

05584361 / C065843601

\* NEW PART

X AS REQUIRED

# CYLINDER HEAD

625 SXC 2007

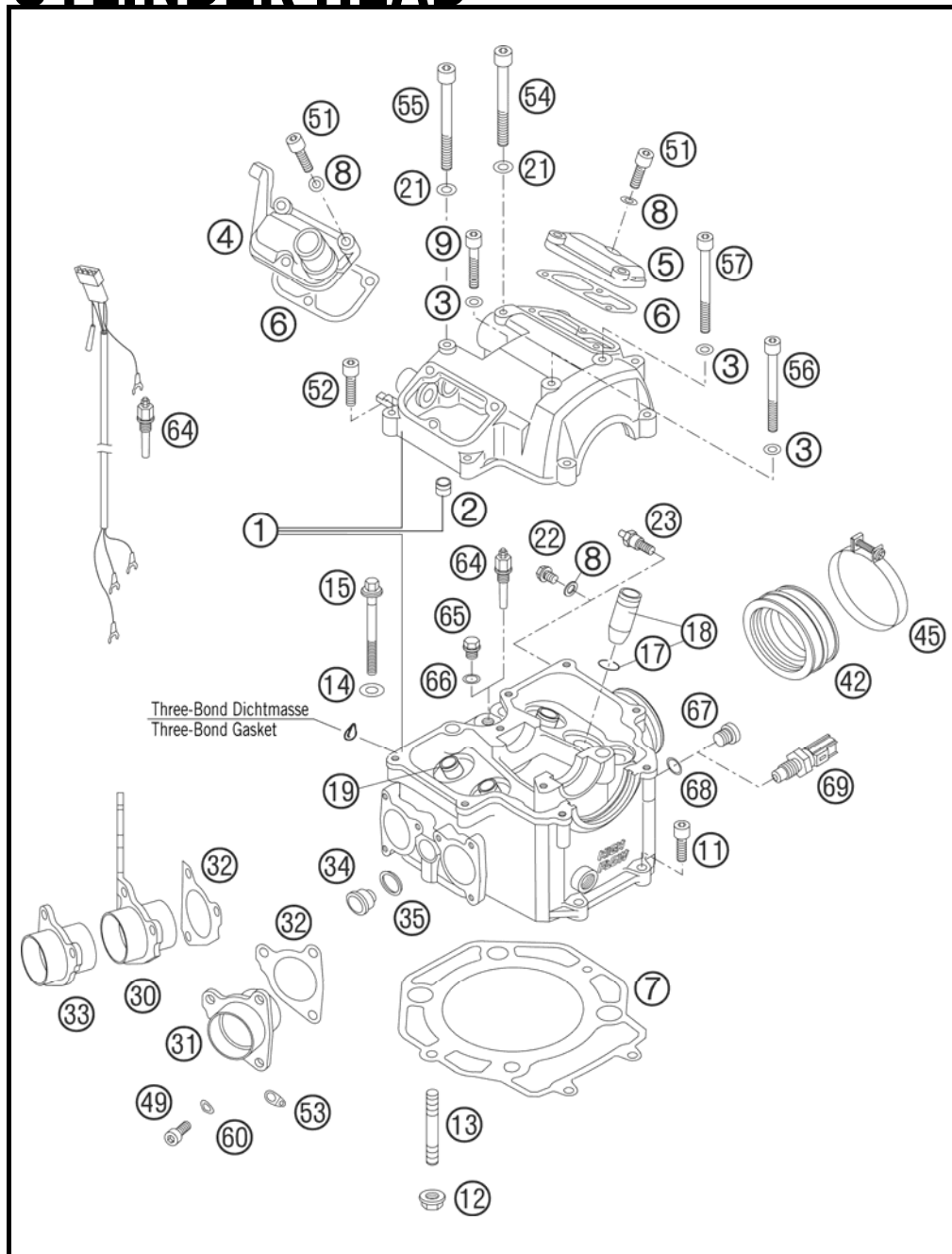


FIG	PART NUMBER	DESCRIPTION	QTY
1	5843602020023	CYL. HEAD CPL. LC4/SXC SAS 04	1
2	58530090000	DOWEL BUSHING 9,8X7,2X10	1
3	58036065100	CU-SEAL RING 6 X 10 X 2	3
4	58036152600	VALVE COVER FRONT '99	1
5	58036052200	VALVE COVER REAR	1
6	58036053000	VALVE COVER GASKET	2
7	58330036000	CYLINDER HEAD GASKET 101,3 MM	1
8	0603061001	CU-SEAL RING DIN7603-6X10X1	7
9	0912060353	AH SCREW DIN0912-M 6X35	1
11	0912060253	AH SCREW DIN0912-M 6X25	2
12	49030028000	COLLAR NUT M8	2
13	54330043000	STUD DIN0835-M 8X40	2
14	0125100003	WASHER DIN0125-A10,5	4
15	58036099100	COLLAR SCREW M10X80 WS=13 10.9	4
17	0993012000	CIRCLIP DIN7993-RW12	4
18	58036026644	VALVE GUIDE INTAKE CPL.	2
19	58036126644	VALVE GUIDE EXHAUST CPL.	2
21	0603070122	CU-SEAL RING DIN7603- 7X12X2	2
22	0015060083	HH COLLAR SCREW M 6X8 WS=8	1
23	58336020190	VACUUM CONECTION M6/3MM '97 SECONDARY AIR SYSTEM	1
30	58436039100	EXHAUST FLANGE CPL. R/S SAS 04 WITH SAS	1
31	58036140100	EXHAUST FLANGE L/S	1
32	58036041000	EXHAUST FLANGE GASKET	2
33	58036040100	EXHAUST FLANGE R/S 04 WITHOUT SAS	1
34	58336024000	PLUG SAS BORE	1
35	58436054000	CU-SEAL RING 12 X 16 X 2	1
42	58436044000	INTAKE BOOT FOR MIKUNI CARBU. 640 ENDURO, SM, DUKE, ADV.	1
42	58536044000	INTAKE BOOT RALLYE 2001 625 SXC, 625 SMC	1
45	56530061000	CLAMP SM12/A60 640 ENDURO, SM, DUKE, ADV.	2
45	59030061000	CLAMP D=56MM B=9MM M4X25 625 SXC, 625 SMC	1

065843602 / C065843602

\* NEW PART

X AS REQUIRED

# CYLINDER HEAD

625 SXC 2007

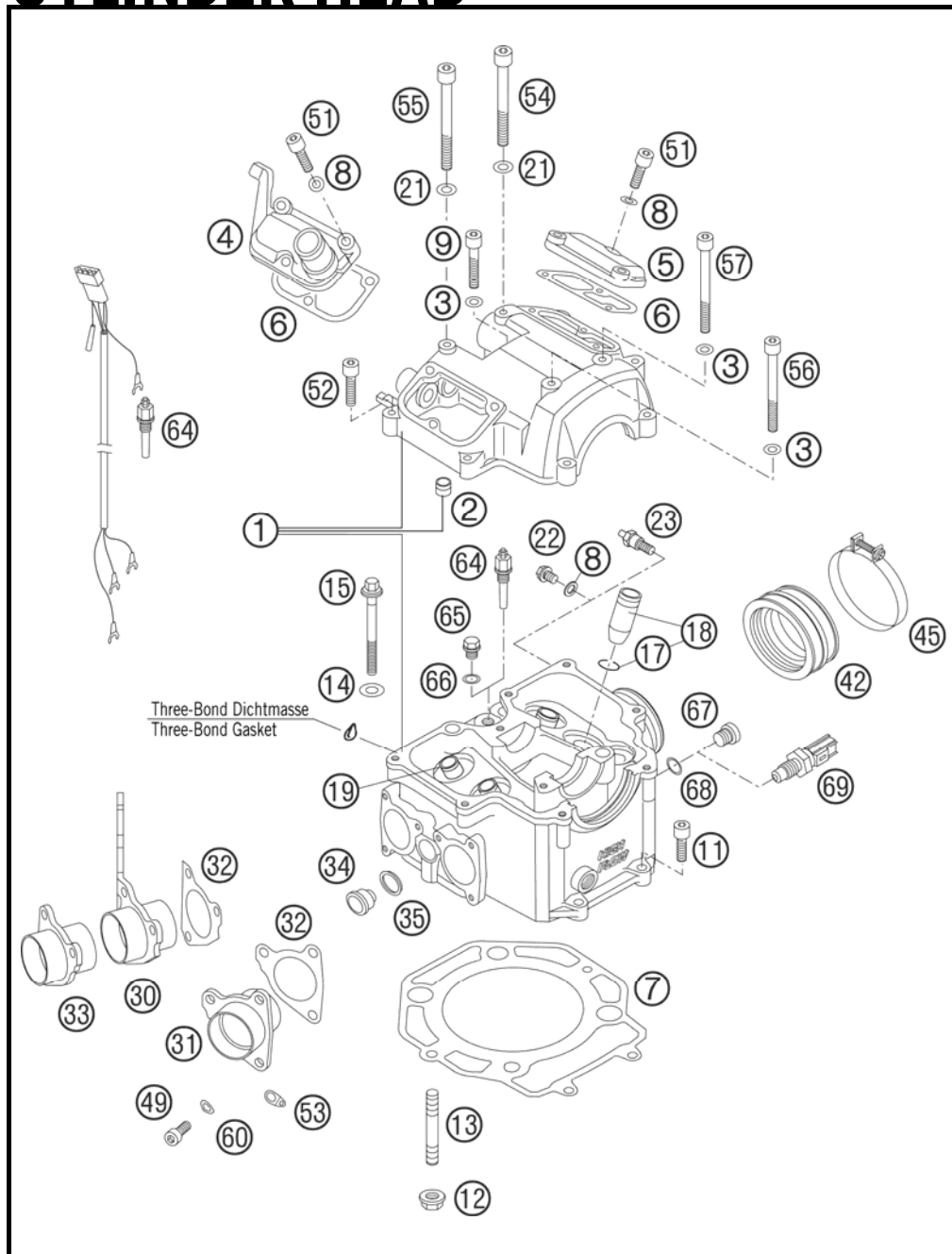


FIG	PART NUMBER	DESCRIPTION	QTY
49	0912060163	AH SCREW DIN0912-M 6X16	6
51	0912060203	AH SCREW DIN0912-M 6X20	6
52	0912060253	AH SCREW DIN0912-M 6X25	5
53	51005074000	RETAINING PLATE	4
54	0912070553	AH SCREW DIN0912-M 7X55 12.9	1
55	0912070603	AH SCREW DIN0912-M 7X60 12.9	1
56	0912060653	AH SCREW DIN0912-M 6X65	1
57	0912060703	AH SCREW DIN0912-M 6X70	1
60	0137060003	SPRING WASHER DIN0137-B 6	6
64	42011252000	TEMPERATURE SWITCH VDO 640 DUKE	1
65	0910100003	PLUG DIN0910-M 10X1 640 ENDURO, SM, ADVENTURE	1
66	0603100141	COPPER GASKET DIN7603-10X14X1	1
67	0908120153	PLUG DIN0908-M12X1,5 640 DUKE, 625 SXC, 625 SMC	1
68	0770100020	O-RING 10,00X2,00 SILCONE	1
69	60011252000	TEMPERAT.-SENSOR WATER LC8 02 640 ENDURO, SM, ADVENTURE	1

065843602 / C065843602

\* NEW PART

X AS REQUIRED



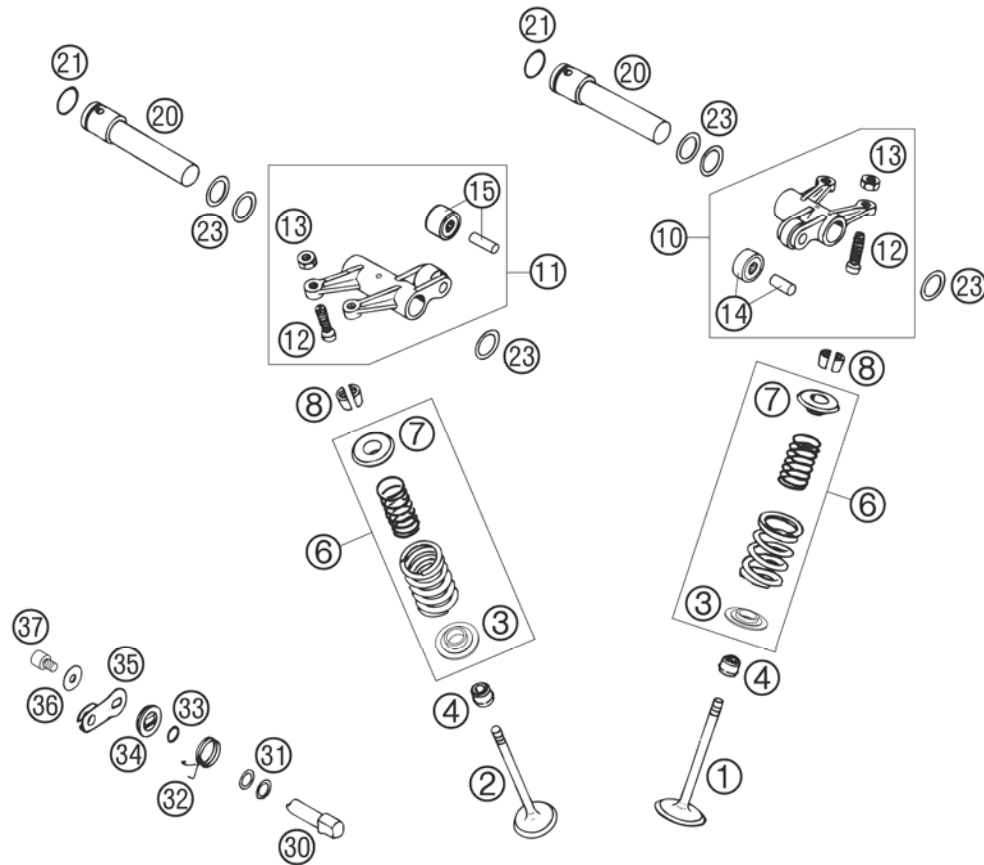


FIG	PART NUMBER	DESCRIPTION	QTY
1	58036030000	INTAKE VALVE D=36 MM	2
2	58536031000	EXHAUST VALVE D=32 MM 2001	2
3	57336036000	VALVE SPRING HOLDER GRADED	4
4	58036028000	VALVE-STEAM SEALING	4
6	58536029044	VALVE SPRING KIT RALLYE 2001	4
7	58036032700	VALVE-SPRING RETAINER ALU '95	4
8	58036033000	VALVE COLLET MK7	8
10	58536060144	ROCKER ARM INTAKE CPL. 2005	1
11	58536061144	ROCKER ARM EXHAUST CPL. 2005	1
12	58036062600	ADJUSTMENT SCREW CPL. M 7X0,75	4
13	0934070756	HEXAGON NUT DIN0934-M 7X0,75	4
14	58036061090	ROCKER ARM ROLLER CPL. INTAKE	1
15	58336061090	ROCKER ARM ROLLER CPL. EXHAUST	1
20	58536056100	ROCKER ARM SHAFT L=96MM 7,2MM	2
21	58036095000	O-RING 15,08 X 2,62 NBR 70	2
23	0988162202	THRUST WASH.DIN0988-16X22X0,20	x
23	0988162205	THRUST WASH. DIN0988-16X22X0,5	x
23	0988162210	THRUST WASHER DIN0988-16X22X1	x
30	58036050100	DECOMPRESSION SHAFT	1
31	54334015000	WASHER 10X14X0,5 STEEL	x
31	54334015100	WASHER 10X14X0,3 STEEL	x
31	54334015200	WASHER 10X14X0,15 STEEL	x
32	58036059200	DECOMP.LEVER SPRING	1
33	0770100221	O-RING 10,00X2,20 SILICONE	1
34	58036048000	COVER DISK	1
35	58036049500	DECOMPRESSION LEVER	1
36	0021060003	WASHER DIN9021-A 6,4	1
37	0912060103	AH SCREW DIN0912-M 6X10	1

05584363 / C065843603

\* NEW PART

X AS REQUIRED

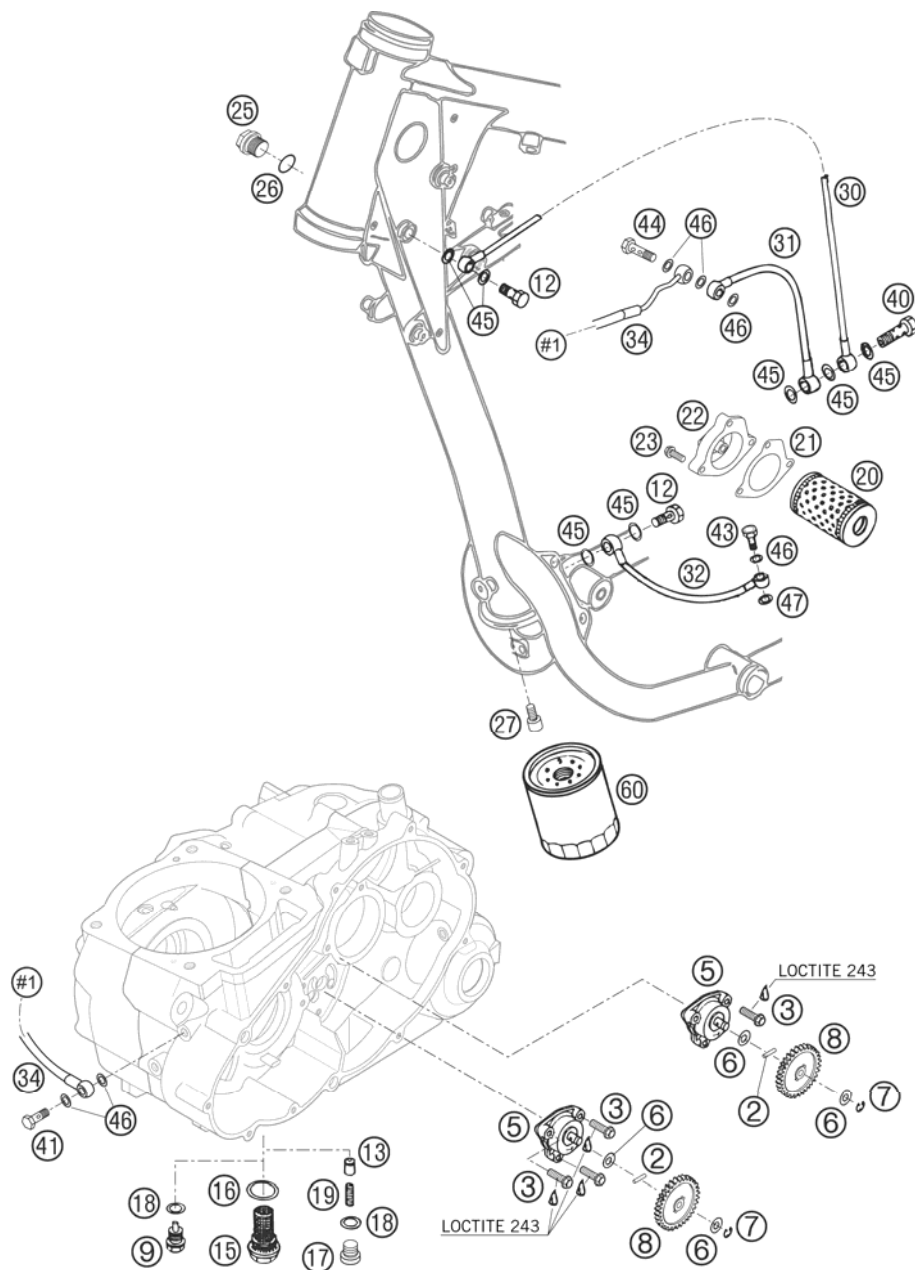


FIG	PART NUMBER	DESCRIPTION	QTY
2	0402251980	NEEDLEROL.DIN5402 NRA 2,5X19,8	2
3	0015060203	HH COLLAR SCREW M 6X20 WS=8	6
5	58038007700	OIL PUMP MIKUNI G-73-10	2
6	58038007755	STOP DISK 8,1 X 15 X 0,5	4
7	0799060000	TAB WASHER DIN6799-RS 6,0	2
8	58438001000	OIL PUMP GEAR 26-T	2
9	58030021000	OILDRAIN PLUG W.MAG. M 12X1,5	1
12	54313025000	HOLLOW SCREW M10 X 1	2
13	58038028000	VALVE PISTON D=10MM	1
15	58038019100	OIL DRAIN PLUG M22X1,5	1
16	58038017100	CU-SEAL RING DIN7603-22X27X2	1
17	0908120153	PLUG DIN0908-M12X1,5	1
18	58038022000	CU-SEAL RING DIN7603-12X18X1,5	2
19	58038023300	PRESSURE SPRING L=25MM D=1MM	1
20	58038005100	OIL FILTER LONG	1
21	58530041000	OIL FILTER COVER GASKET 2001	1
22	58030008700	OIL FILTER COVER 2001	1
23	0015060253	HH COLLAR SCREW M 6X25 WS=8	3
25	0910160153	PLUG DIN0910-M16X1,5	1
26	0603162220	CU-SEAL RING 16X22X2	1
27	0984060103	AH SCREW DIN7984-M 6X10	1
30	58038234700	OIL LINE FILTER-FRAME TUBE R10/R10 - 865MM	1
31	58338034000	OIL LINE CLUTCH COVER-FRAME R10/R8 - 206MM	1
32	58338034100	OIL LINE CLUTCH COVER-FRAME R10/R8 - 240MM	1
34	58438034000	OIL LINE 8/8 BENT 05 R8/R8 - 265MM	1
40	58038033200	DUAL BANJO BOLT M10X1	1
41	58038029000	BANJO BOLT M8X1	1
43	58038130000	JET SCREW M 8 X 1 "150"	1
44	58038033000	DUAL BANJO BOLT M8X1	1
45	0603100141	COPPER GASKET DIN7603-10X14X1	7
46	0603082121	SEAL RING CU DIN7603- 8X12X1	3
47	58038032300	CU-SEAL RING 8 X 12 X 1,5	1

065843800 / C065843800

\* NEW PART

X AS REQUIRED

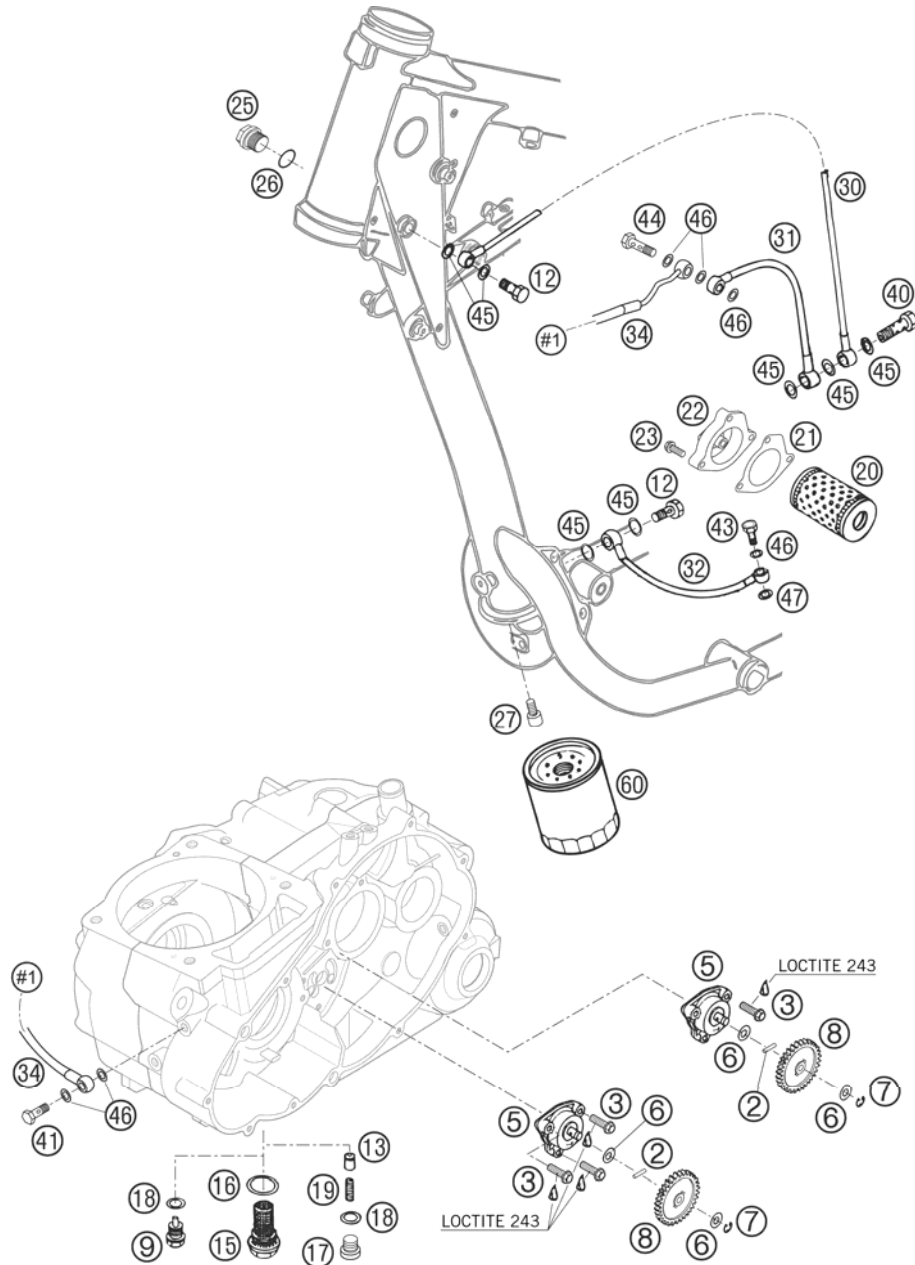


FIG	PART NUMBER	DESCRIPTION	QTY
60	58338045100	SCREW TYPE FILTER	1

065843800 / C065843800

\* NEW PART

X AS REQUIRED

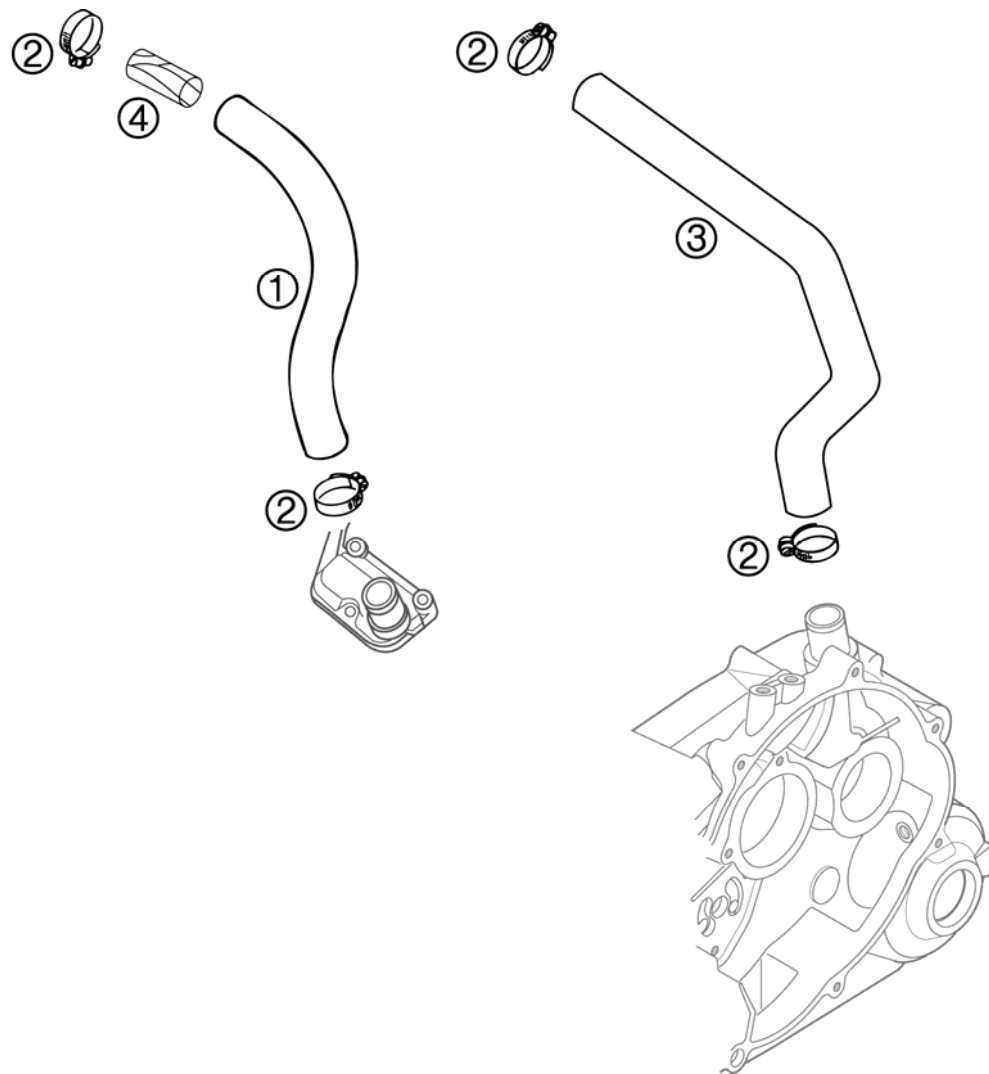


FIG	PART NUMBER	DESCRIPTION	QTY
1	58430087000	ENGINE BREATHER TUBE TOP	1
2	42013037200	HOSE CLAMP GEMI 12/22	4
3	57530090000	BREATHER TUBE ENGINE '93	1
4	58430089000	FILTER BREATHER SYSTEM '98	1

02584388 / C065843808

\* NEW PART

X AS REQUIRED

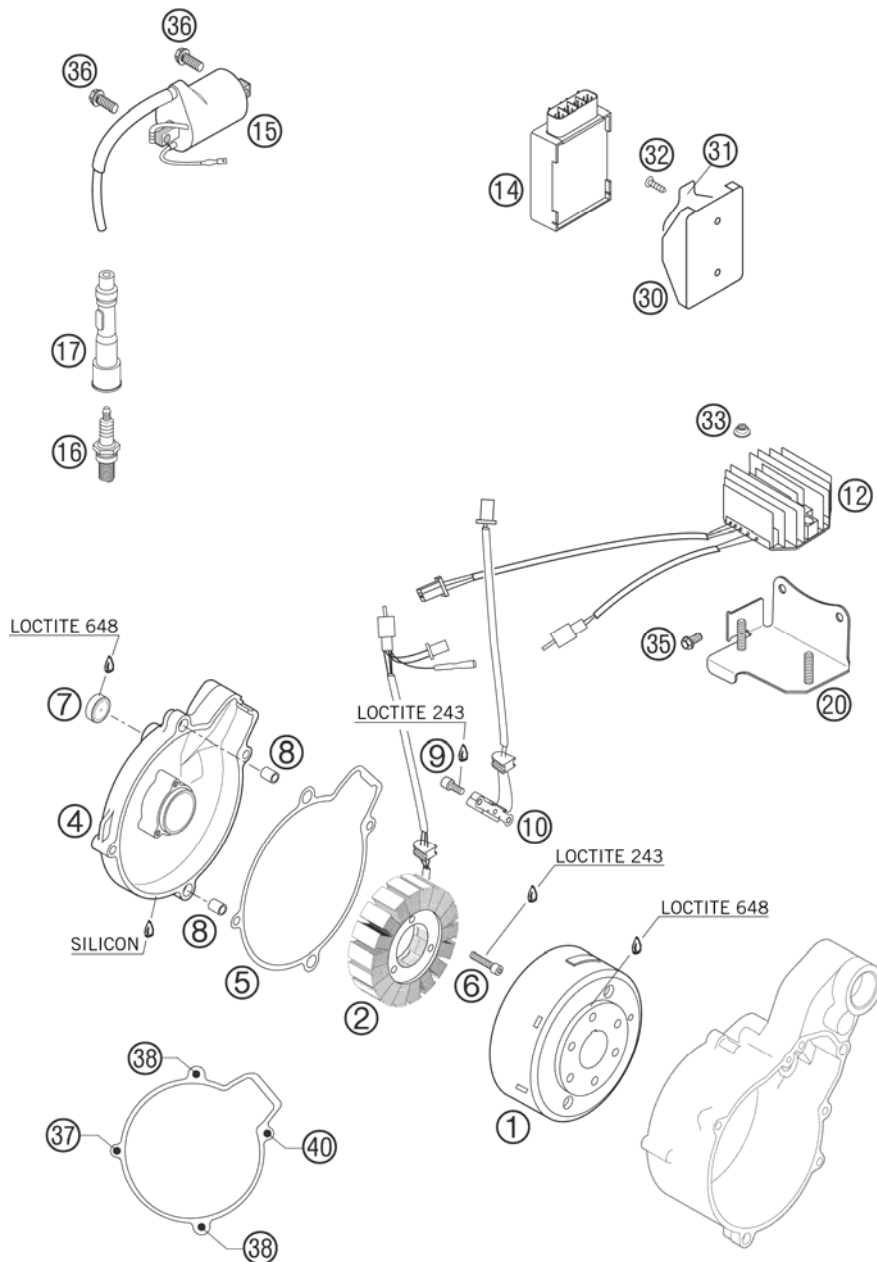


FIG	PART NUMBER	DESCRIPTION	QTY
1	58439005100	FLYWHEEL KOKUSAN GP9128 '97	1
2	58439004000	STATOR KOKUSAN LOOSE '96	1
4	5843000214423	IGNITION COVER CPL. GREY 03 WITH OIL INSPECTION GLASS	1
5	58430040000	IGNITION COVER GASKET '96	1
6	0912050253	AH SCREW DIN0912-M 5X25	3
7	58430095000	INSPECTION GLASS GW 20-7	1
8	49030090000	DOWEL 9,8 X 7 X 10	2
9	0912050083	AH SCREW DIN 912 M 5X8	2
10	58439034000	PULSER COIL	1
12	58411034100	VOLT.REGULATOR-RECTIFIER 12V	1
14*	58639031300	CDI 625 SXC 06	1
15	58439006000	IGNITIONCOIL IG3826 KOKUSAN'96	1
16	59039093100	SPARK PLUG NGK DCPR8E 03	1
17	58439090000	SPARK PLUG CONNECT. SD05EG 03	1
20	58411055200	BATTERY BRACKET 03	1
30	58439030200	RUBBER BRACKET FOR DIGI-BOX 03	1
31	58439030250	SUPPORT FOR RUBBER BRACKET 03	1
32	0017050181	SCREW FOR PLASTIC D=5X18	2
33	56509064100	SELF LOCKING NUT M6 10.9	2
35	0015060103	HH COLLAR SCREW M 6X10 WS=8	2
36	0015060163	HH COLLAR SCREW M 6X16 WS=8	2
37	0015060253	HH COLLAR SCREW M 6X25 WS=8	1
38	0015060303	HH COLLAR SCREW M 6X30 WS=8	2
40	0015060803	HH COLLAR SCREW M 6X80 WS=8	1

05584390 / C075843900

\* NEW PART

X AS REQUIRED

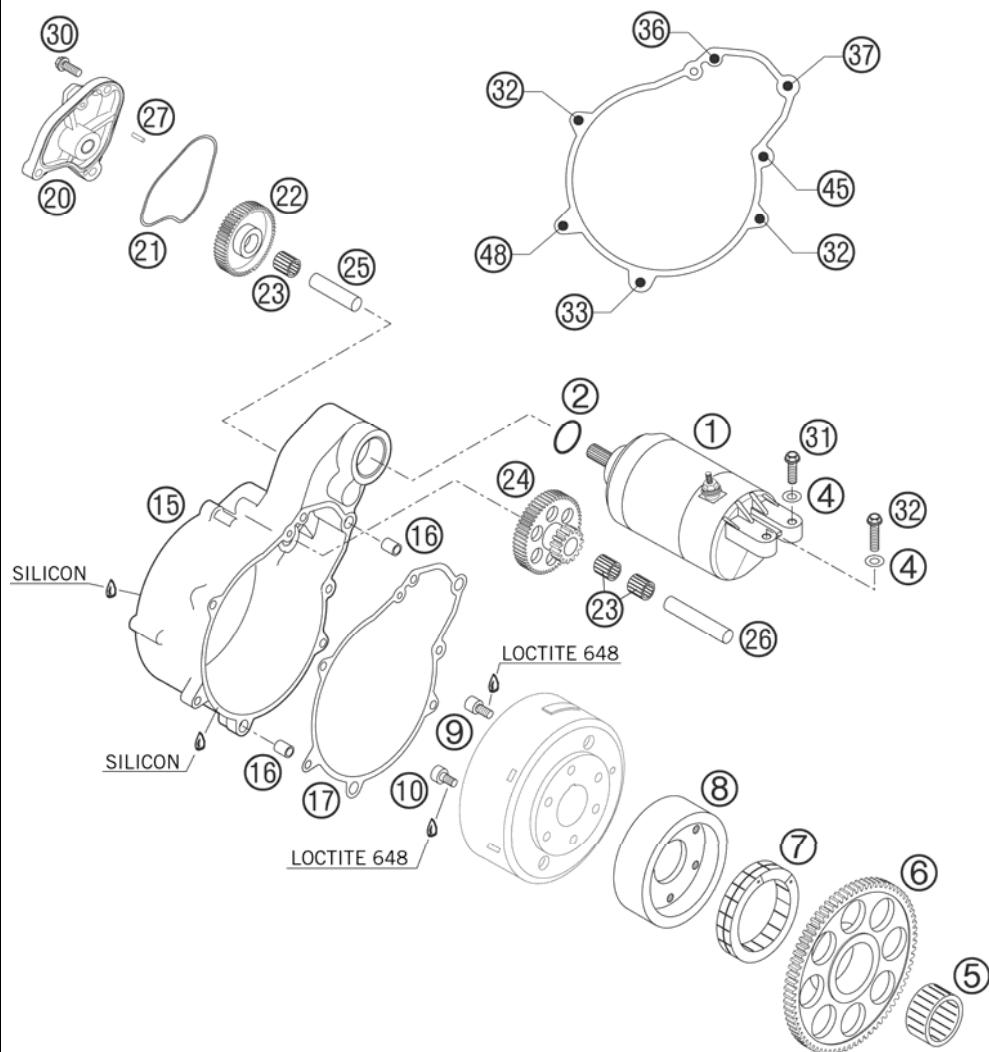


FIG	PART NUMBER	DESCRIPTION	QTY
1	58440001000	E-STARTER ENGINE CPL. LC4-E	1
2	0770250030	O-RING 25,00X3,00 NBR 70	1
4	0125060003	WASHER DIN0125-A 6,4	2
5	58440090100	NEEDLE BEARING K30 X 37 X 18 A	1
6	58440020079	FREE-WHEEL-GEAR 79-T	1
7	58440026000	FREE-WHEEL FWD 332008 BLS	1
8	58440025000	FREEWHEEL HUB	1
9	0912060121	AH SCREW DIN0912-M 6X12 12.9	4
10	58440098000	AH CENTERING SCREW M6X12,5	2
15	5844001010023	STARTER FLANGE GREY 03	1
16	49030090000	DOWEL 9,8 X 7 X 10	2
17	58540042000	STARTER FLAN.GASKET 0,5MM 2001	1
20	5844001110023	STARTER COVER GREY 03	1
21	58440011050	FORM RING F.STARTERCOVER NBR70	1
22	58440022000	INTERMEDIATE GEAR 52-T	1
23	58440090000	NEEDLE BEARING K10 X 13 X 13TN	3
24	58440021018	REDUCTION GEAR 55-T/18-Z	1
25	58440028000	BEARING BOLT 10 X 38,4	1
26	58440029000	BEARING BOLT 10 X 54	1
27	0402040780	NEEDLEROLL. DIN5402 NRB 4X 7,8	2
30	0015060163	HH COLLAR SCREW M 6X16 WS=8	1
31	0015060203	HH COLLAR SCREW M 6X20 WS=8	1
32	0015060253	HH COLLAR SCREW M 6X25 WS=8	3
33	0015060303	HH COLLAR SCREW M 6X30 WS=8	1
36	0015060453	HH COLLAR SCREW M 6X45 WS=8	1
37	0015060503	HH COLLAR SCREW M 6X50 WS=8	1
45	0015060803	HH COLLAR SCREW M 6X80 WS=8	1
48	0015060953	HH COLLAR SCREW M 6X95 WS=8	1

05584400 / C065834000

\* NEW PART

X AS REQUIRED





KTM-Sportmotorcycle AG  
A-5230 Mattighofen  
[www.ktm.at](http://www.ktm.at)

KTM Group Partner



3CM088248GEN



Art.Nr.: 3CM088248GEN 7/2006