

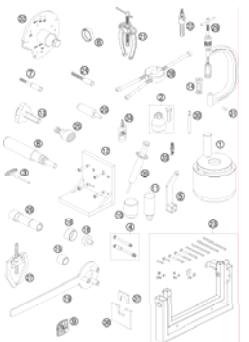
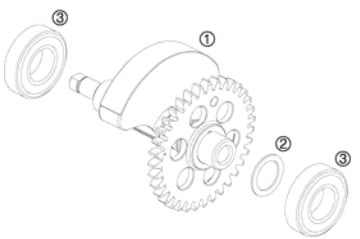
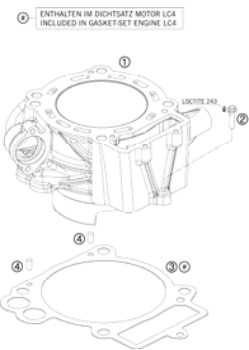
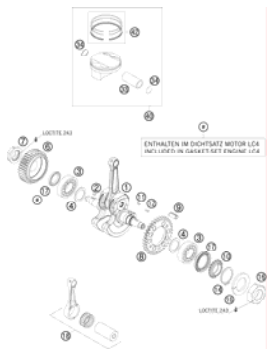
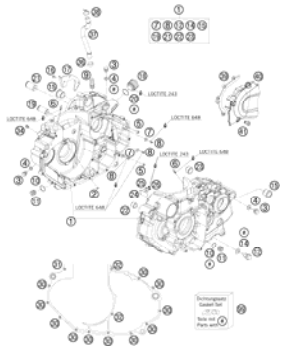
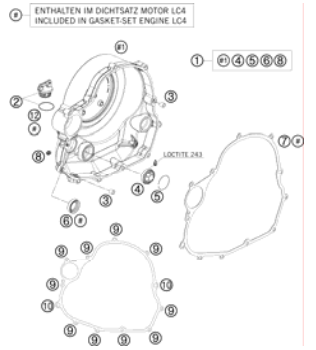
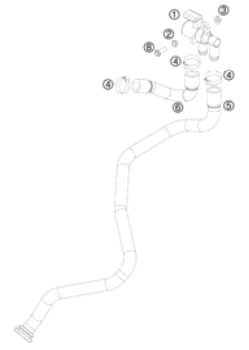
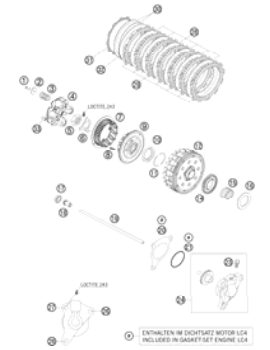
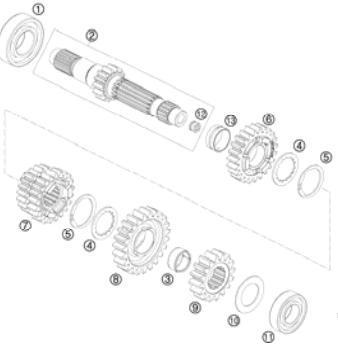
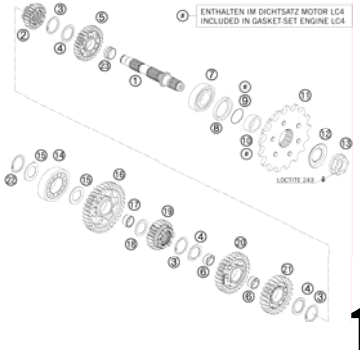

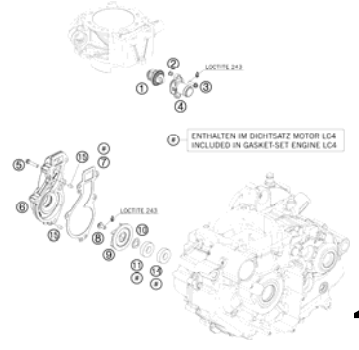
690 LC4 DUKE 2009

SPARE PARTS MANUAL: ENGINE

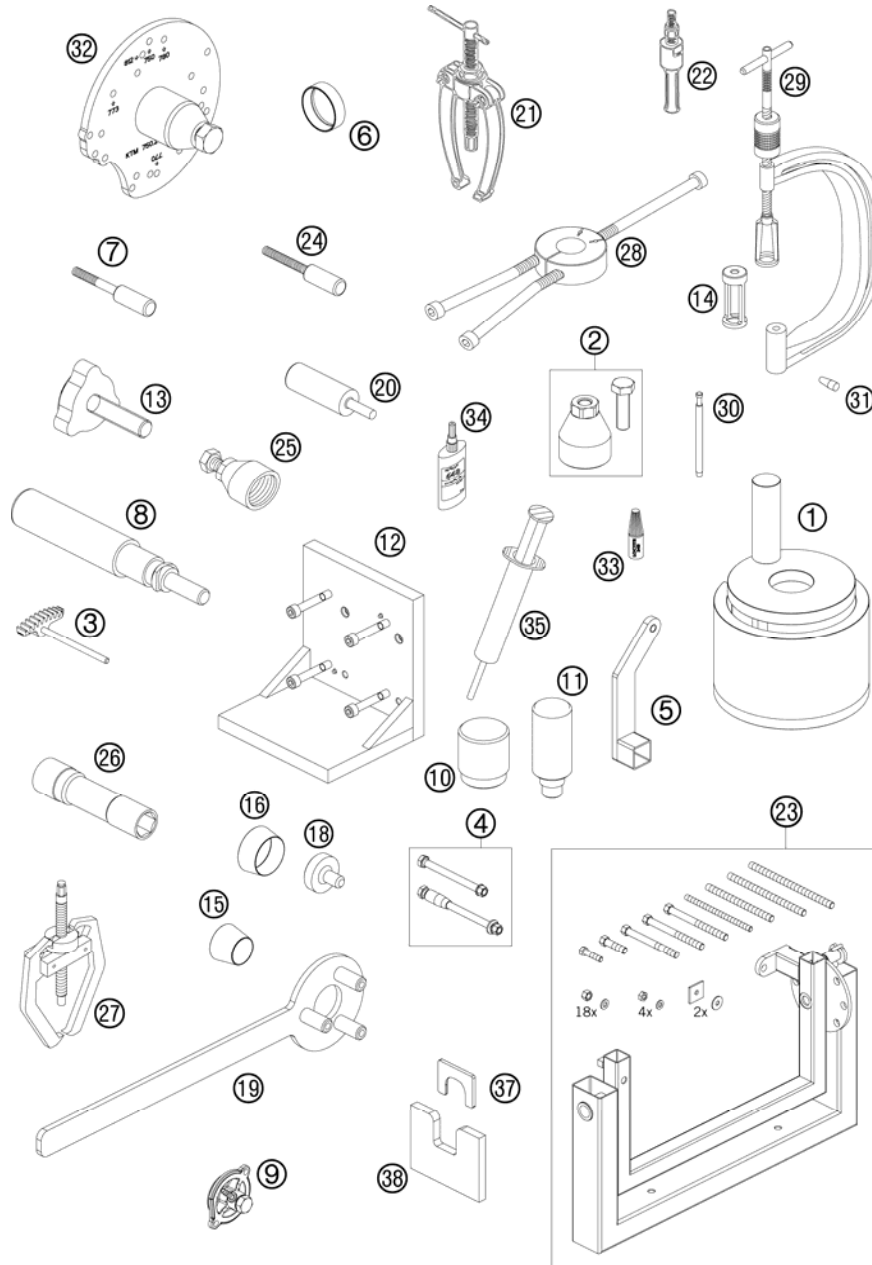
ART.NO.: 3CM088515IEN

ENGLISH



| | | | |
|------------------------------------------------------------------------------------------------------------------------------------------------|----------------------------------------------------------------------------------------------------------------------------------------------------|--------------------------------------------------------------------------------------------------------------------------------------------|--------------------------------------------------------------------------------------------------------------------------------------|
| <p>SPECIAL TOOLS</p>  <p>3</p> | <p>BALANCER SHAFT</p>  <p>4</p> | <p>CYLINDER</p>  <p>5</p> | <p>CRANKSHAFT, PISTON</p>  <p>6</p> |
| <p>ENGINE CASE</p>  <p>7</p> | <p>CLUTCH COVER</p>  <p>8</p> | <p>SECONDARY AIR SYSTEM SAS</p>  <p>9</p> | <p>CLUTCH</p>  <p>10</p> |
| <p>TRANSMISSION I - MAIN SHAFT</p>  <p>11</p> | <p>TRANSMISSION II - COUNTERSHAFT</p>  <p>12</p> | <p>SHIFTING MECHANISM</p>  <p>13</p> | <p>WATER PUMP</p>  <p>14</p> |

| | | | |
|---------------------------------------------------------------------------------------------------------------------------------------------------------------------------------------------------------------------------------------------------------------------------------------------------------------------------------------------------------------------------------------------------------------------------------------------------------------------------------------------------------------------------------------------------------------------------------------------------------------------------------------------------------------------------------------------------------------------------------------------------------------------------------------------------------------------------------------------------------------------------------------------------------------------------------------------------------------------------------------------------------------------------------------------------------------------------|------------------------------------------------|-------------------------------------------------|----------------------------------------------|
| <p>COOLING SYSTEM</p> <p>15</p> | <p>VALVE DRIVE</p> <p>16</p> | <p>TIMING DRIVE</p> <p>18</p> | <p>CYLINDER HEAD</p> <p>19</p> |
| <p>LUBRICATING SYSTEM</p> <p>20</p> | <p>IGNITION SYSTEM</p> <p>21</p> | <p>ELECTRIC STARTER</p> <p>22</p> | <p>THROTTLE BODY</p> <p>23</p> |
| <div style="display: flex; align-items: center;"> <div style="flex: 1; text-align: center;"> </div> <div style="flex: 3; padding-left: 20px;"> <p>All information contained is without obligation. KTM-Sportmotorcycle AG particularly reserves the right to modify any equipment, technical specifications, prices, colors, shapes, materials, services, service work, constructions, equipment and the like so as to adapt them to local conditions or to cancel any of the above items, all without previous announcement and without giving reasons. KTM may stop manufacturing certain models without previous notice. KTM shall not be held liable for any deviations of availability and/or ability to deliver, illustrations, descriptions, printing and/or other errors. The illustrated models partly contain extra equipment, which is not applied to standard models. © by KTM-SPORTMOTORCYCLE AG, Mattighofen AUSTRIA; All rights reserved; Reprint, also in extracts, with written allowance of KTM-SPORTMOTORCYCLE AG, Mattighofen only.</p> </div> </div> | | | |



| FIG | PART NUMBER | DESCRIPTION | QTY |
|-----|-------------|--------------------------------|-----|
| 1 | 75029047000 | PRESS. TOOL F. CRANKS. CPL. | 1 |
| 2 | 75029021000 | EXTRACTOR PRIM. CPL. | 1 |
| 3 | 75029081000 | GEAR SEGMENT CPL. | 1 |
| 4 | 75012001060 | SUPPORT CPL. | 1 |
| 5 | 75012001070 | RETAIN. ARM F. ENG.WORK STAND | 1 |
| 6 | 75029015102 | PISTON R. COMPRESSOR DM=102 | 1 |
| 7 | 75029033000 | MOUNTING SCREW | 4 |
| 8 | 75029035000 | PLUG IN FUSE PISTON PIN | 1 |
| 9 | 75029094000 | OIL PRESSURE ADAPTER | 1 |
| 10 | 75029044010 | PRESS PUNCH CAMSH. BEAR. LARGE | 1 |
| 11 | 75029044020 | PRESS PUNCH CAMSHAF BEAR. SM. | 1 |
| 12 | 75029050000 | ON TENSIONER PL. CYLINDER HEAD | 1 |
| 13 | 75029051000 | PRESS OUT PUNCH CPL. | 1 |
| 14 | 77329060000 | INSERT FOR VALVE SPRING LEVER | 1 |
| 15 | 75029080000 | MOUNT.SLEEVE F. SH.S.RING MS | 1 |
| 16 | 75029080050 | MOUNT.SLEEVE F. SH.S.RING KS | 1 |
| 18 | 75029090000 | PROTECTOR CAP F.CRANKSHAFT 07 | 1 |
| 19 | 75029091000 | HOLDING SPANNER FOR FLYWHEEL | 1 |
| 20 | 77329051000 | UNLOCK CHAIN TENSIONER | 1 |
| 21 | 15112017000 | BUSHING EXTRACTOR | 1 |
| 22 | 15112018100 | INTERN.BEAR.PULLER 18-23 MM | 1 |
| 23 | 56012001000 | ASSY SUPPORT (WITHOUT HOLDER) | 1 |
| 24 | 77329010000 | LOCATING SCREW | 1 |
| 25 | 58429009000 | MAGNETO EXTRACTOR | 1 |
| 26 | 75029172000 | SPARK PLUG WRENCH | 1 |
| 27 | 59029033000 | EXTRACTOR FOR TIMING GEAR | 1 |
| 28 | 58429037043 | MOUNTING TOOL F.BEARING NJ 207 | 1 |
| 29 | 59029019000 | VALVE SPRING LEVER | 1 |
| 30 | 59029026006 | LIMIT PLUG GAUGE F.VALVE GUIDE | 1 |
| 31 | 58529005000 | MOUNT.SLEEVE F. SH.S.RING WAPU | 1 |
| 32* | 75029048100 | HOUSING SEPARATING TOOL | 1 |
| 33 | 6899785 | LOCTITE 243 BLUE 6CCM | 1 |
| 34 | 58429059000 | LOCTITE 648 GREEN 24ML | 1 |
| 35 | 58429059200 | LOCTITE 5910 50ML | 1 |
| 37 | 75029047050 | PRESS OUT PLATE TOP PART | 1 |
| 38 | 75029047051 | PRESS OUT PLATE BOTTOM PART | 1 |

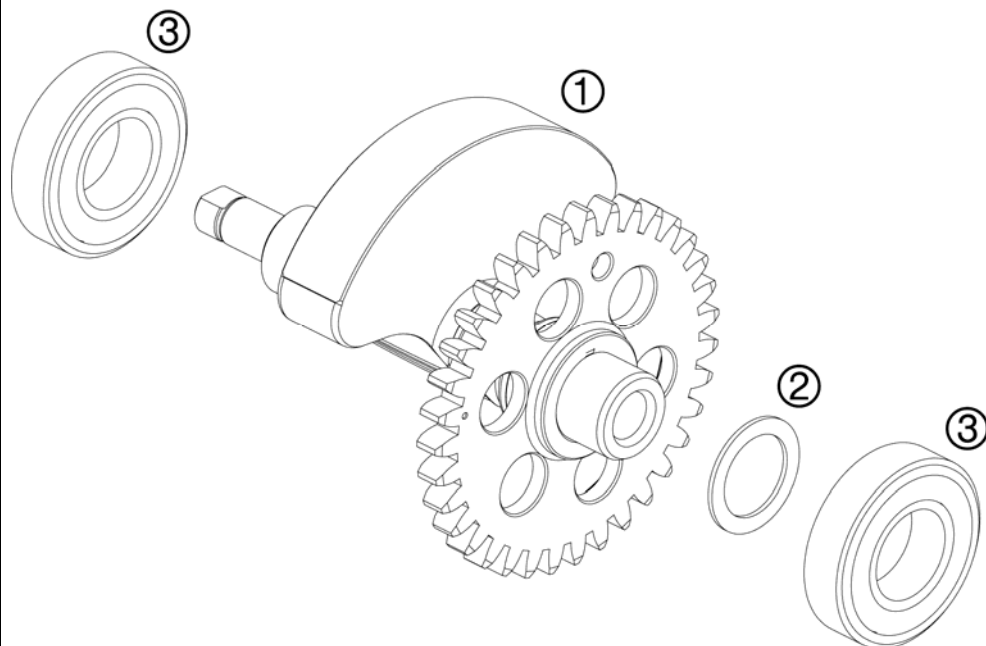
097502910 / C097502910

* NEW PART

X AS REQUIRED

BALANCER SHAFT

690 LC4 DUKE 2009



| FIG | PART NUMBER | DESCRIPTION | QTY |
|-----|-------------|--------------------------------|-----|
| 1 | 75030057044 | BALANCER SHAFT CPL. 07 | 1 |
| 2 | 0988223201 | THRUST WASHER DIN0988-22X32X,1 | x |
| 2 | 09882232015 | THRUST WASHERDIN0988-22X32X,15 | x |
| 2 | 0988223202 | THRUST WASHER DIN0988-22X32X,2 | x |
| 2 | 0988223203 | THRUST WASHER DIN0988-22X32X,3 | x |
| 3 | 0625062221 | BALL BEARING 62/22 C4 | 2 |

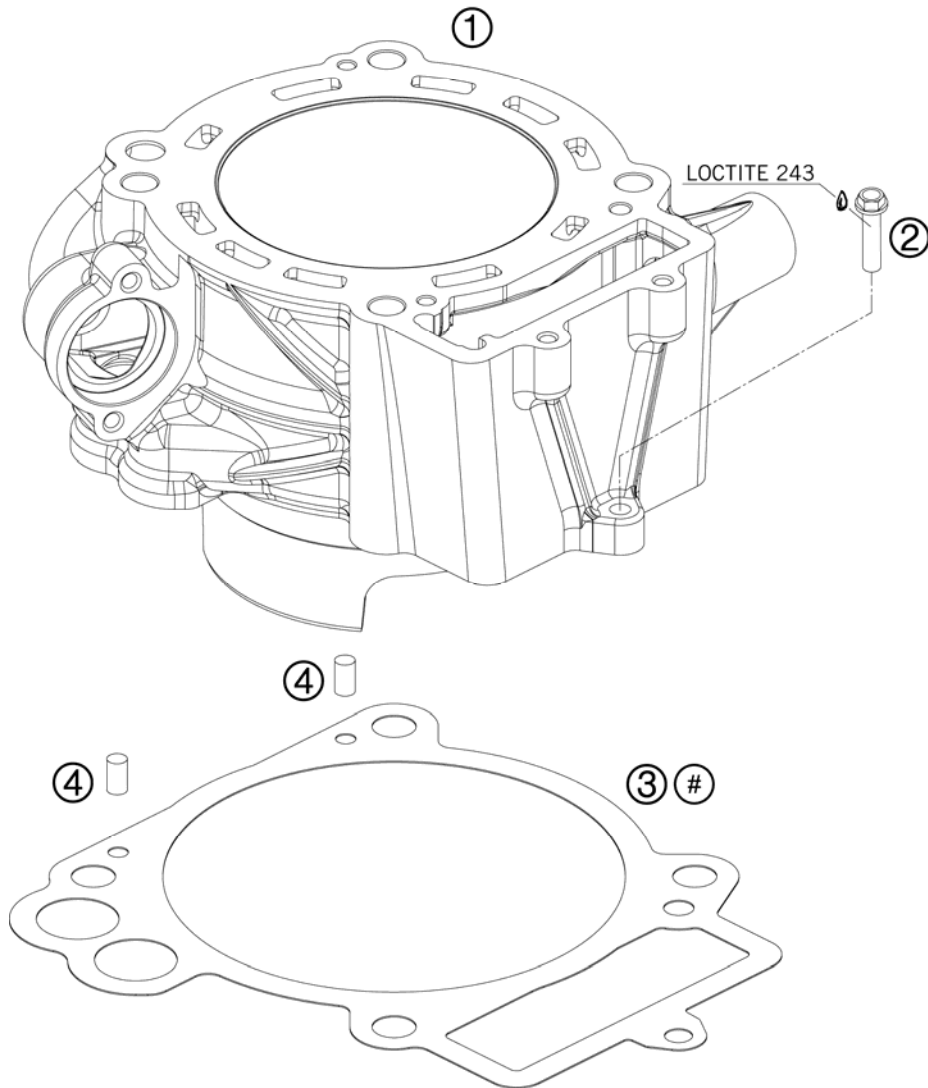
087503030 / C087503030

* NEW PART

X AS REQUIRED

ENTHALTEN IM DICHTSATZ MOTOR LC4
INCLUDED IN GASKET-SET ENGINE LC4

| FIG | PART NUMBER | DESCRIPTION | QTY |
|-----|-------------|----------------------------|-----|
| 1 | 75030005000 | CYLINDER 07 | 1 |
| 2 | 0025060256 | HH COLLAR SCREW M6X25 TX30 | 1 |
| 3 | 75030035000 | CYLINDER BASE GASKET 07 | 1 |
| 4 | 0474050100 | GROOVED PIN DIN1474 5X10 | 2 |



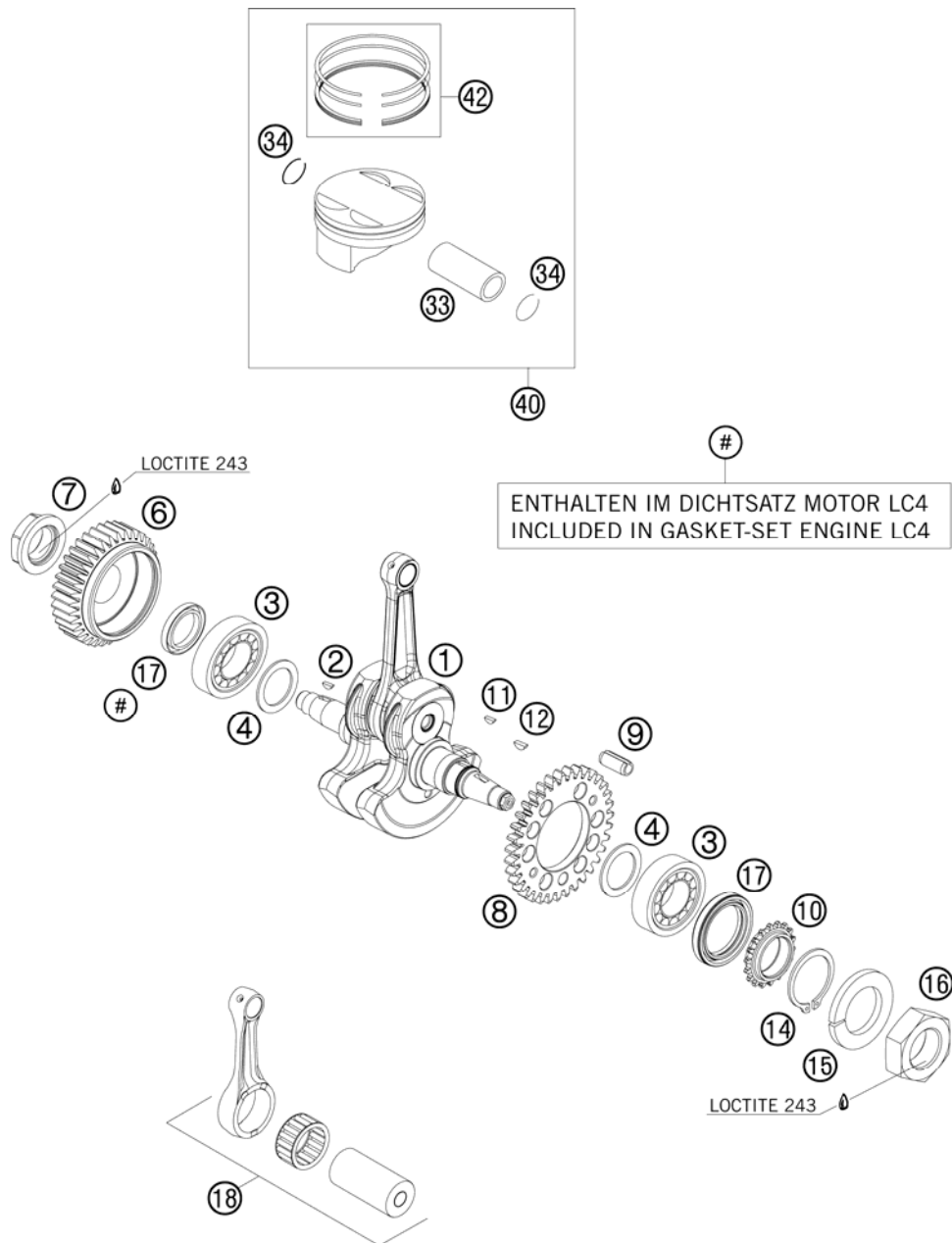
097503040 / C097503040

* NEW PART

X AS REQUIRED

CRANKSHAFT, PISTON

690 LC4 DUKE 2009



| FIG | PART NUMBER | DESCRIPTION | QTY |
|-----|----------------|--------------------------------|-----|
| 1 | 75030018100 | CRANKSHAFT CPL | 1 |
| 2 | 0888040050 | WOODRUFF KEY DIN6888 4X5X13 | 1 |
| 3 | 75030018150 | CYL.ROLLER BEARING NJ207 ECPC4 | 2 |
| 4 | 56530081000 | SHIM WASHER 36X48X0,10 | x |
| 4 | 56530081100 | SHIM WASHER 36X48X0,15 | x |
| 4 | 56530081200 | SHIM WASHER 36X48X0,20 STEEL | x |
| 4 | 56530081300 | SHIM WASHER 36X48X0,30 | x |
| 6 | 75032000002 | PRIMARY GEAR 36 T 07 | 1 |
| 7 | 75030029100 | NUT FOR PRIMARY GEAR | 1 |
| 8 | 75030055000 | DRIVE WHEEL BALANCER SHAFT 07 | 1 |
| 9 | 0749080300 | TENSION PIN ISO13337 8X30 | 1 |
| 10 | 75036014000 | TIMING PULLEY 07 | 1 |
| 11 | 0888030050 | WOODRUFF KEY DIN6888-3X5X13 | 1 |
| 12 | 6946005 | WOODRUFF KEY 5X6,5 HARDED | 1 |
| 14 | 0471300151 | CIRCLIP DIN0471-30X1,5 NIRO | 1 |
| 15 | 58132072000 | LOCK WASHER VSK 18 | 1 |
| 16 | 0936181505 | HEXAGON NUT DIN0936-M18X1,5 R. | 1 |
| 17 | 0760355070 | SHAFT SEAL R.35X50X7B VITON | 2 |
| 18 | 75030015144 | CONNECT. ROD REPAIR SET LC4 08 | 1 |
| 33 | 75030833000 | PISTON PIN LC4 07 | 1 |
| 34 | 75030074000 | CIRCLIP LC4 07 | 2 |
| 40 | 75030007200 I | PISTON CPL. I 08 | x |
| 40 | 75030007200 II | PISTON CPL. II 08 | x |
| 42 | 75030031044 | PISTONRING SET LC4 07 | 1 |

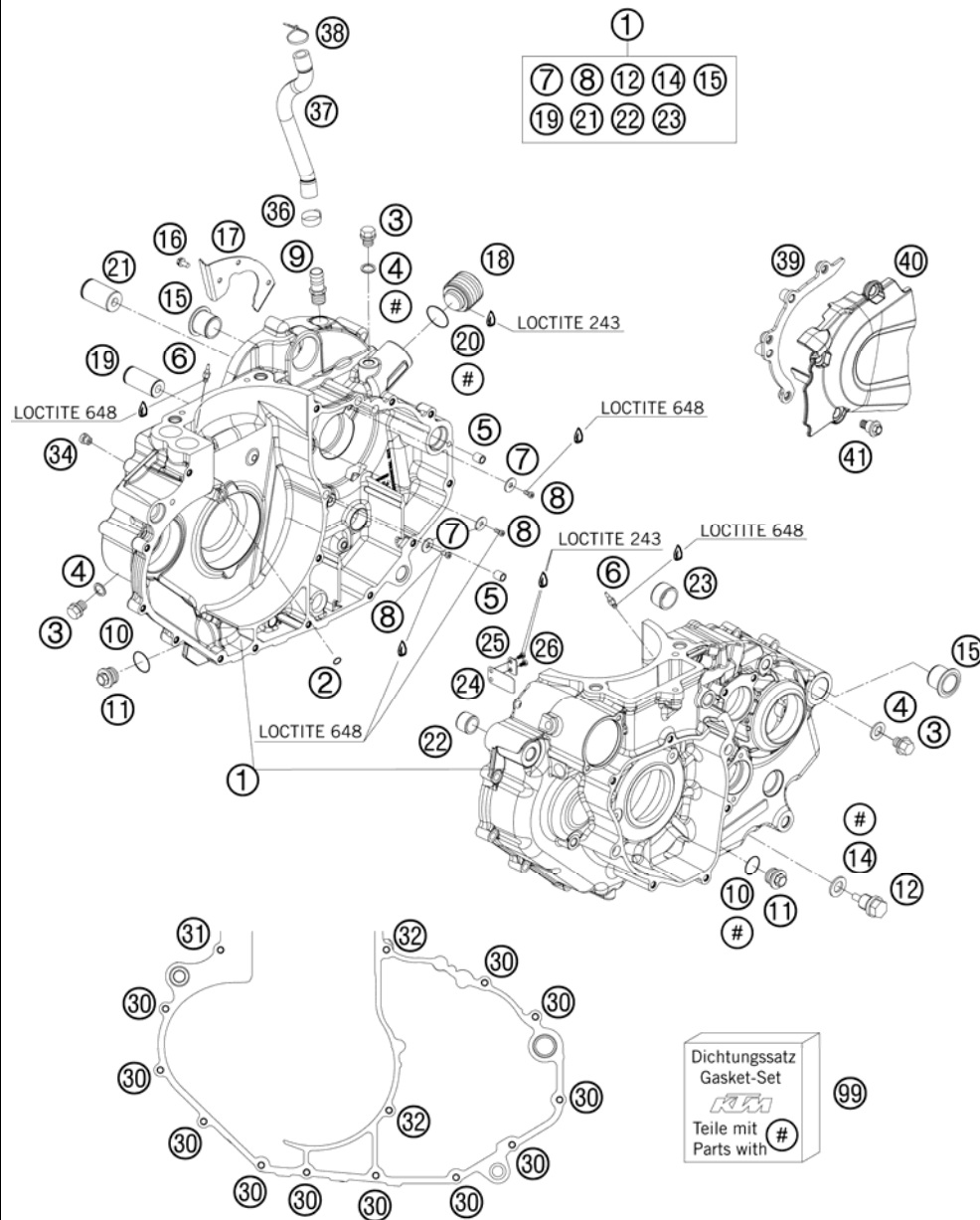
097503060 / C097503060

* NEW PART

X AS REQUIRED

ENGINE CASE

690 LC4 DUKE 2009



| FIG | PART NUMBER | DESCRIPTION | QTY |
|-----|--------------|--------------------------------|-----|
| 1 | 75030000133 | ENGINE CASE CPL.W.BEAR. LC4 07 | 1 |
| 2 | 0770060018 | O-RING 6,00X1,78 | 1 |
| 3 | 0910100003 | PLUG DIN0910-M 10X1 | 3 |
| 4 | 0603100141 | COPPER GASKET DIN7603-10X14X1 | 3 |
| 5 | 59030023000 | DOWEL 6X8X11,5 | 2 |
| 6 | 60030064050 | OIL JET 50 M6X0,75 WS8 05 | 2 |
| 7 | 0021050003 | WASHER DIN9021-A 5,3 | 3 |
| 8 | 073800501001 | FLAT HEAD SCREW ISO 7380 M5X10 | 3 |
| 9 | 60030022000 | VENTILATION CONNECTOR M16X1,5 | 1 |
| 10 | 0770020170 | O-RING 17,17X1,78 GLO | 2 |
| 11 | 59038017000 | PLUG M20X1,5 WS=13 | 2 |
| 12 | 58030021000 | OILDRAIN PLUG W.MAG. M 12X1,5 | 1 |
| 14 | 58038022000 | CU-SEAL RING DIN7603-12X18X1,5 | 1 |
| 15 | 75030010000 | CASE BUSH | 2 |
| 16 | 07984050100 | AH SCREW DIN7984 M5X10 A2 | 3 |
| 17 | 75030042000 | COVER | 1 |
| 18 | 75038048100 | LOCK PIECE | 1 |
| 19 | 54633018400 | BUSHING PIN | 1 |
| 20 | 0770180020 | O-RING 18,00X2,00 NBR 70 | 1 |
| 21 | 59040028000 | BUSHING PIN | 1 |
| 22 | 51030026100 | DOWEL 17 X 13 X 12 | 1 |
| 23 | 54830027000 | DOWEL 21X12 03 | 1 |
| 24 | 75030003051 | MEMBRANE 07 | 1 |
| 25 | 75030003050 | STOP SHEET MEMBRANE 07 | 1 |
| 26 | 0458030080 | CYLIND.SCREW M3X8 ISO 14580 SS | 2 |
| 30 | 0025060306 | HH COLLAR SCREW M6X30 TX30 | 11 |
| 31 | 0025060256 | HH COLLAR SCREW M6X25 TX30 | 1 |
| 32 | 0025060706 | HH COLLAR SCREW M6X70 TX30 | 2 |
| 34 | 75030058000 | JET 125 | 1 |
| 36 | 00049220121 | CLAMP STD DN22 | 1 |
| 37 | 75030086000 | HOSE BREATHER SYSTEM 07 | 1 |
| 38 | 44011076200 | CABLE TIE 200/3,6MM BLACK | 1 |
| 39 | 75030047000 | SECURING GUIDE 07 | 1 |
| 40 | 75030060000 | CHAIN GUARD 07 | 1 |
| 41 | 59001092050 | SPECIAL SCREW M6X12,5 WS=8 | 3 |
| 99 | 75030099000 | GASKET SET LC4 2007 | 1 |

097563010 / C097563010

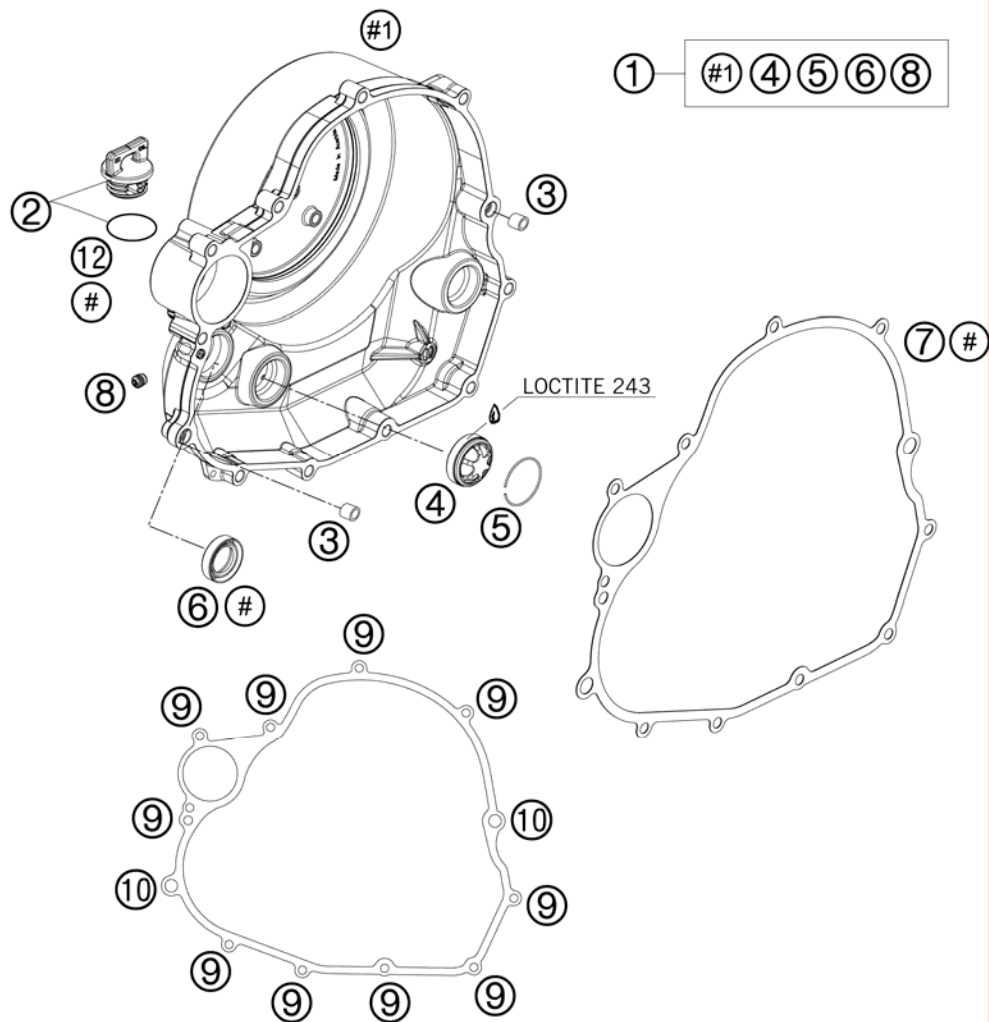
* NEW PART

X AS REQUIRED

CLUTCH COVER

690 LC4 DUKE 2009

ENTHALTEN IM DICHTSATZ MOTOR LC4
INCLUDED IN GASKET-SET ENGINE LC4



| FIG | PART NUMBER | DESCRIPTION | QTY |
|-----|-------------|--------------------------------|-----|
| 1 | 75030001044 | CLUTCH COVER CPL. 07 | 1 |
| 2 | 58030020100 | PLUG CPL. M24X3 | 1 |
| 3 | 49030090000 | DOWEL 9,8 X 7 X 10 | 2 |
| 4 | 59030019000 | OIL LEVEL GLASS G 1777 Y | 1 |
| 5 | 61030019050 | CIRCLIP OIL LEVEL GLASS 03 | 1 |
| 6 | 0760172871 | SHAFT SEAL RING 17X28X7B VITON | 1 |
| 7 | 75030025000 | CLUTCH CASE GASKET 07 | 1 |
| 8 | 59030296000 | SCREW PLUG | 1 |
| 9 | 0025060256 | HH COLLAR SCREW M6X25 TX30 | 9 |
| 10 | 0025060306 | HH COLLAR SCREW M6X30 TX30 | 2 |
| 12 | 0770191015 | O-RING 19,00X3,00 NBR | 1 |

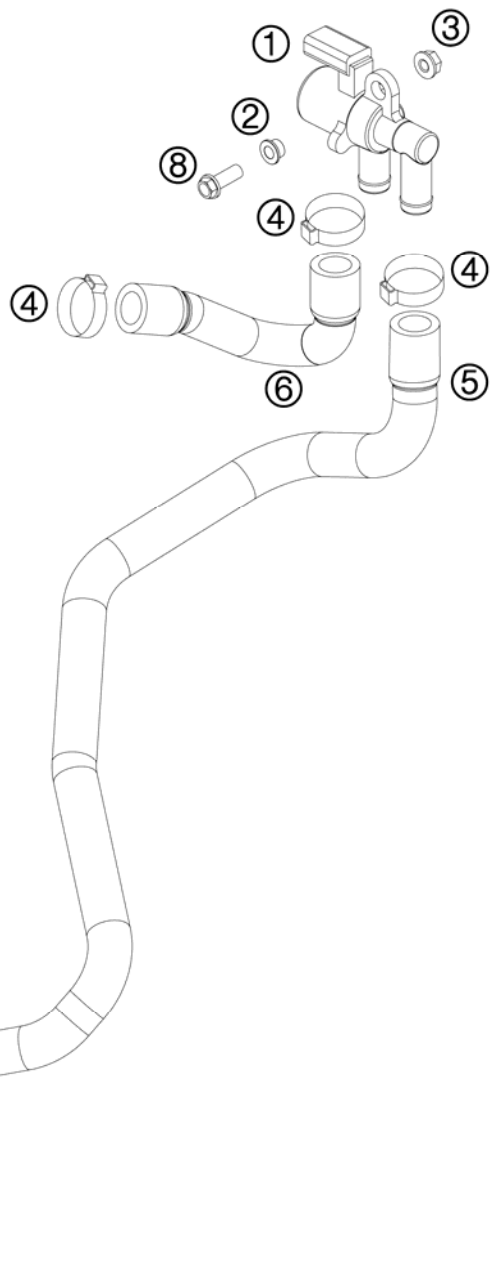
097563020 / C097563020

* NEW PART

X AS REQUIRED

SECONDARY AIR SYSTEM SAS

690 LC4 DUKE 2009

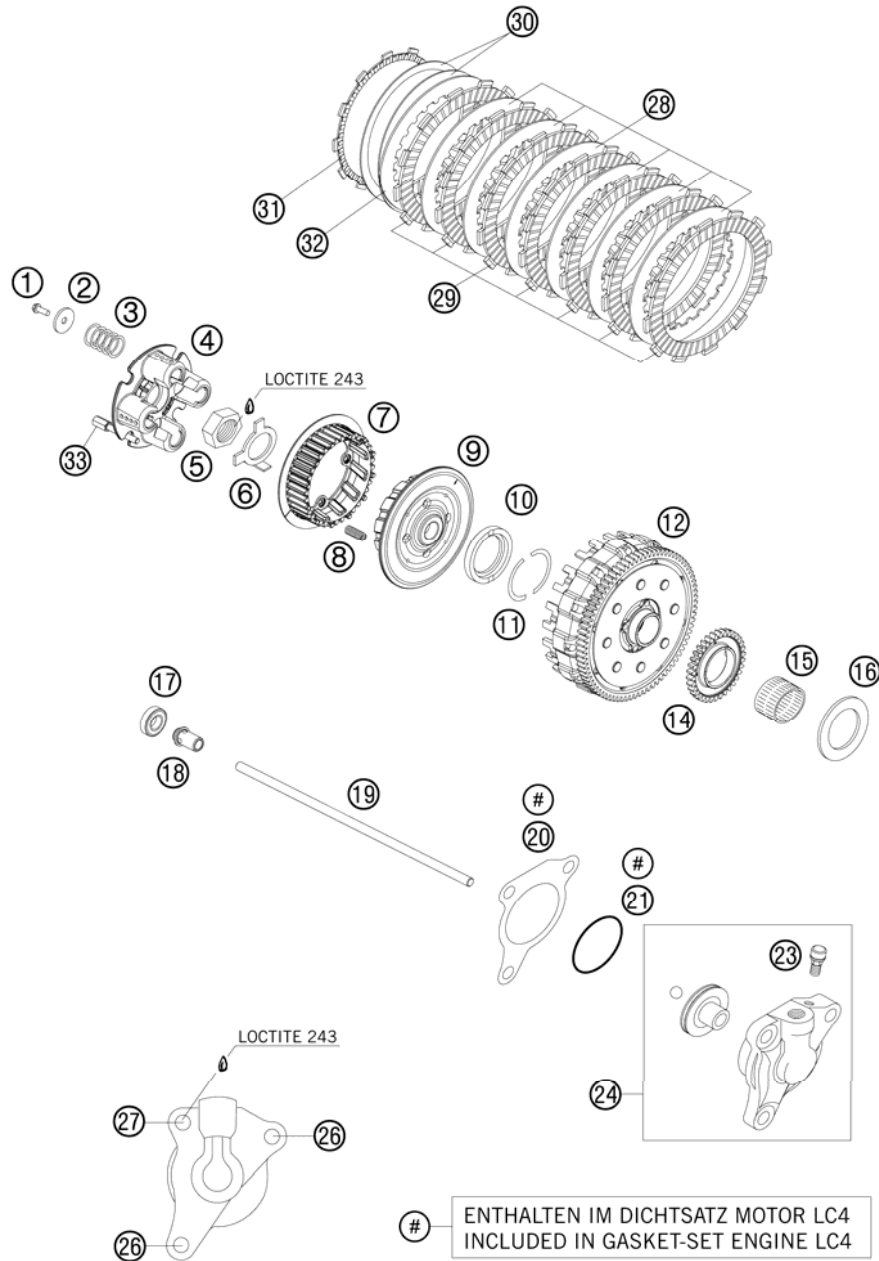


| FIG | PART NUMBER | DESCRIPTION | QTY |
|-----|-------------|----------------------------|-----|
| 1 | 75005026000 | SLS-VALVE 07 | 1 |
| 2* | 75005033000 | COLLAR BUSH SAS-VALVE | 1 |
| 3 | 56509064100 | SELF LOCKING NUT M6 10.9 | 1 |
| 4 | 00049200121 | CLAMP STD DN20 | 3 |
| 5 | 75005032000 | HOSE SLS AIRFILTERBOX 07 | 1 |
| 6 | 75005031000 | HOSE SLS CYLINDER 07 | 1 |
| 8* | 0025060166 | HH COLLAR SCREW M6X16 TX30 | 1 |

097563130 / C097563130

* NEW PART

X AS REQUIRED



| FIG | PART NUMBER | DESCRIPTION | QTY |
|-----|-------------|--------------------------------|-----|
| 1 | 0025050256 | HH COLLAR SCREW M5X25 ISA30 | 4 |
| 2 | 59032006100 | WASHER 5,5X20X1,5 | 4 |
| 3 | 58532080000 | CLUTCHSPRING 3,0X33,5 | 4 |
| 4 | 75032003000 | PRESSURE CAP | 1 |
| 5 | 60036073050 | HEXAGON NUT M20X1,5 7MM | 1 |
| 6 | 75032018000 | LOCK WASHER 07 | 1 |
| 7 | 75032002002 | INNER CLUTCH HUB MOVABLE | 1 |
| 8 | 75032033000 | CLUTCH RELEASE SPRING | 4 |
| 9 | 75032002001 | INNER CLUTCH HUB FIXED | 1 |
| 10 | 75032009000 | STEPPED WASHER 07 | 1 |
| 11 | 75032007000 | HALF-WASHER 07 | 2 |
| 12 | 75032001044 | OUTER CLUTCH HUB CPL. | 1 |
| 14 | 75032050001 | OIL PUMP DRIVE WHEEL 07 | 1 |
| 15 | 56532095000 | NEEDLE BEARING K26X30X22ZW.KSE | 1 |
| 16 | 75032017000 | WASHER 26X40X2 07 | 1 |
| 17 | 0625060016 | GROOV.BALL BEAR. 6001.2RSR C3 | 1 |
| 18* | 75032055100 | PRESSURE BOLT 08 | 1 |
| 19* | 75032054200 | PUSH ROD 08 | 1 |
| 20 | 59032065000 | GASKET FOR SLAVE CYLINDER | 1 |
| 21 | 0770300015 | O-RING 30,00X1,50 NBR 70 | 1 |
| 23 | 54732064000 | BLEEDER SCREW WITH CAP | 1 |
| 24* | 75032061044 | OUTPUT CYL. WITH BLEEDER SCREW | 1 |
| 26 | 0025060356 | HH COLLAR SCREW M6X35 TX30 | 2 |
| 27 | 0025060206 | HH COLLAR SCREW M6X20 TX30 | 1 |
| 28 | 75032112000 | STEEL DISK 1,5 MM LC4 '07 | 6 |
| 29 | 58332011300 | LINING DISK 2,7MM FCC 02 | 7 |
| 30 | 58632016000 | RONDELLA ANTIVIBRAZIONE SET | 1 |
| 31 | 75032111100 | LINING DISC CUT OUT | 1 |
| 32 | 75032112100 | STEEL DISK 1,5MM NITRIDED | 1 |
| 33 | 75032032000 | HOLDING SCREW GMB-M5X35 | 4 |

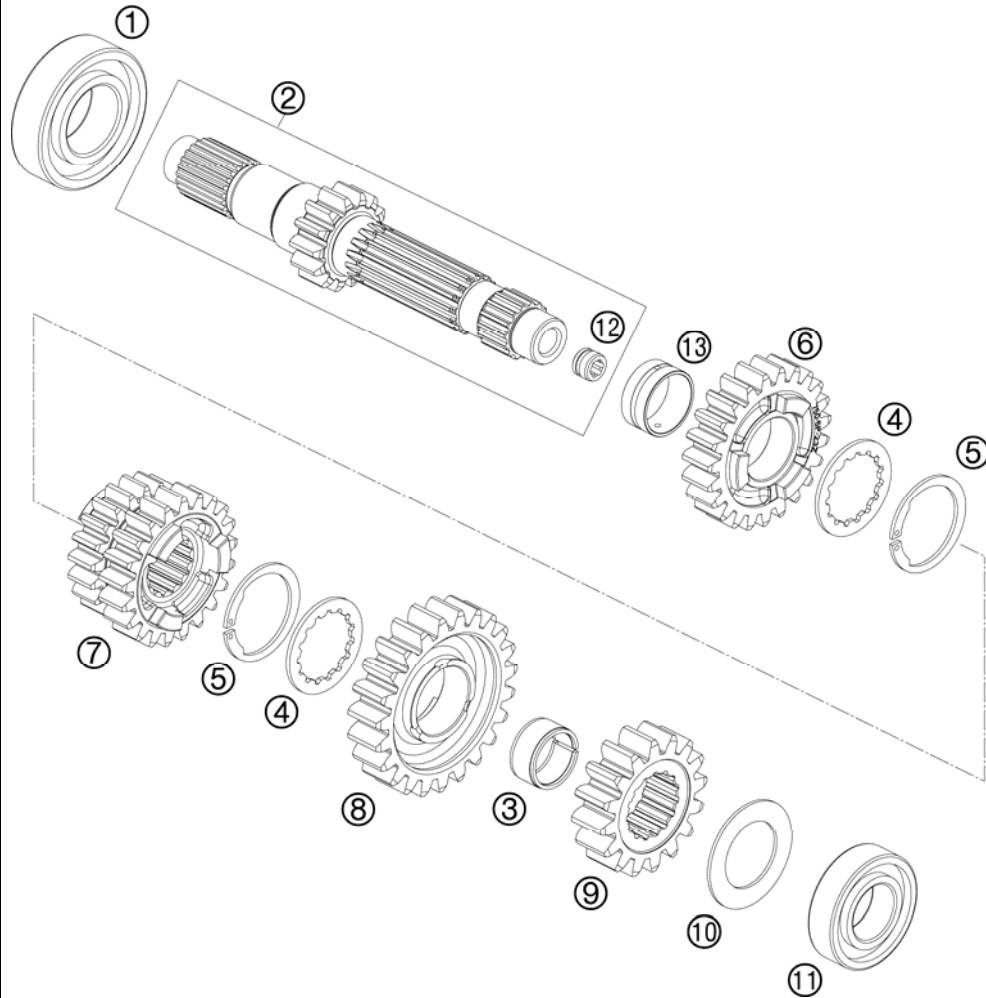
097563210 / C097563210

* NEW PART

X AS REQUIRED

TRANSMISSION I - MAIN SHAFT

690 LC4 DUKE 2009



| FIG | PART NUMBER | DESCRIPTION | QTY |
|-----|-------------|----------------------------|-----|
| 1 | 06252858161 | BALL BEARING 58/28 C4 N | 1 |
| 2* | 76233001000 | MAIN SHAFT | 1 |
| 3 | 0405222613 | NEEDLE BEAR. K 22X26X13 TN | 1 |
| 4 | 56533016300 | STOP DISK 22,7 X 32 X 1,5 | 2 |
| 5 | 75033041000 | STOP-V-RING AV25 | 2 |
| 6* | 75033105000 | IDLER GEAR 5.G. | 1 |
| 7 | 75033003000 | 3/4TH GEAR MAINSHAFT 07 | 1 |
| 8 | 75033006000 | IDLER 6. GEAR 07 | 1 |
| 9 | 75033002000 | SOLID GEAR 2.G. 07 | 1 |
| 10 | 59033080000 | SHIM 20X32X1 | 1 |
| 11 | 0625060041 | BALL BEARING 6004 TNH C3 | 1 |
| 12 | 77333001160 | GUIDE BUSHING | 1 |
| 13* | 76233022100 | BEARING BUSH | 1 |

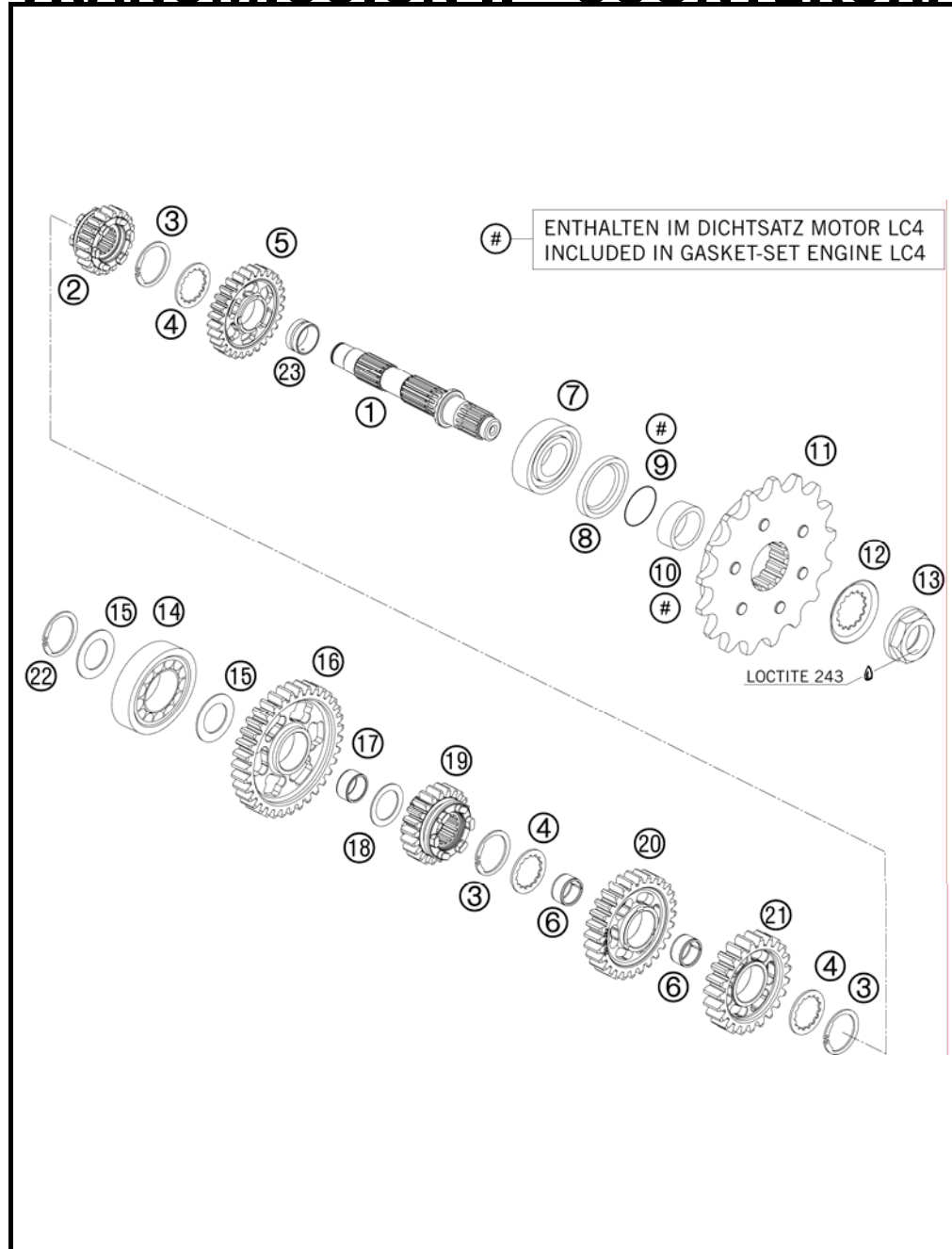
097503330 / C097503331

* NEW PART

X AS REQUIRED

TRANSMISSION II - COUNTERSHAFT

690 LC4 DUKE 2009



| FIG | PART NUMBER | DESCRIPTION | QTY |
|-----|-------------|--------------------------------|-----|
| 1* | 76233010000 | COUNTER SHAFT 07 | 1 |
| 2 | 75033016000 | SLIDING GEAR 6TH G. 07 | 1 |
| 3 | 0417025000 | CIRCLIP SW25 | 3 |
| 4 | 56533016300 | STOP DISK 22,7 X 32 X 1,5 | 3 |
| 5* | 76233012100 | IDLER 2. GEAR | 1 |
| 6 | 0405222613 | NEEDLE BEAR. K 22X26X13 TN | 2 |
| 7 | 49030023100 | CYL.ROLLER BEARING NJ205 C4 | 1 |
| 8 | 0760324773 | SHAFT SEAL R. 32X47X7BSL VITON | 1 |
| 9 | 0770020220 | O-RING 25,12X1,78 NBR70 | 1 |
| 10 | 54633014100 | SPACER BUSHING 12MM | 1 |
| 11 | 58033029115 | ENGINE SPROCKET 15 T DAMPED | x |
| 11 | 58033029116 | ENGINE SPROCKET 16 T DAMPED | x |
| 11 | 58033029117 | ENGINE SPROCKET 17 T DAMPED | x |
| 12 | 51033031000 | LOCK WASHER | 1 |
| 13 | 58033032200 | SPROCKET NUT LC4 03 | 1 |
| 14 | 0625204213 | BALL BEARING 6004 C4 N | 1 |
| 15 | 59033080000 | SHIM 20X32X1 | 2 |
| 16 | 75033011000 | IDLER GEAR 1ST GEAR 07 | 1 |
| 17 | 56533098000 | NEEDLE BEARING K22X26X13H | 1 |
| 18 | 54603036000 | STOP DISK 22,2X31,7X1 | 1 |
| 19 | 75033015000 | 5TH GEAR COUNTERSHAFT 07 | 1 |
| 20 | 75033013000 | IDLER GEAR 3.G 07 | 1 |
| 21 | 75033014000 | IDLER GEAR 4.G 07 | 1 |
| 22 | 0471200120 | CIRCLIP DIN471 20X1,2 | 1 |
| 23* | 76233022100 | BEARING BUSH | 1 |

097503360 / C097503361

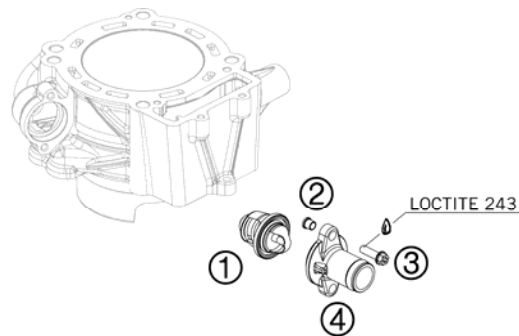
* NEW PART

X AS REQUIRED

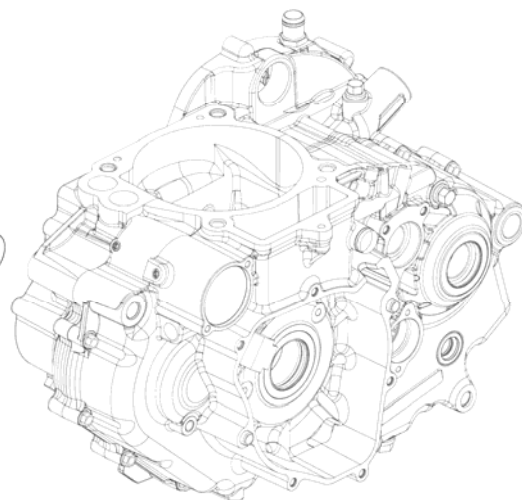
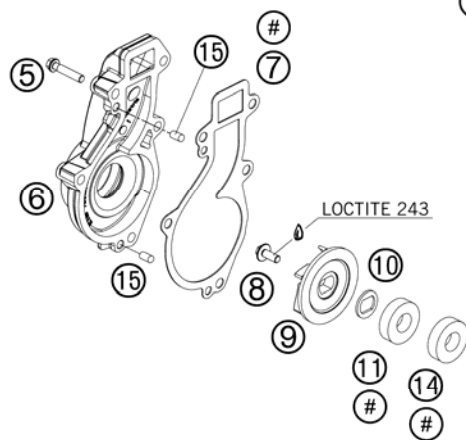


WATER PUMP

690 LC4 DUKE 2009



ENTHALTEN IM DICHTSATZ MOTOR LC4
INCLUDED IN GASKET-SET ENGINE LC4



| FIG | PART NUMBER | DESCRIPTION | QTY |
|-----|-------------|--------------------------------|-----|
| 1 | 75035017000 | THERMOSTAT 07 | 1 |
| 2 | 60040027050 | SUPPORTING SLEEVE 03 | 2 |
| 3 | 0025060206 | HH COLLAR SCREW M6X20 TX30 | 2 |
| 4 | 75035016000 | THERMOSTATCOVER 07 | 1 |
| 5 | 0025060306 | HH COLLAR SCREW M6X30 TX30 | 5 |
| 6 | 75035052100 | WATERPUMP COVER 07 | 1 |
| 7 | 75035053000 | WATER PUMP COVER GASKET 07 | 1 |
| 8 | 0024060156 | HH COLLAR SCREW M6X15 TX30 | 1 |
| 9 | 75035055000 | WATER PUMP ROTOR 07 | 1 |
| 10 | 60035055150 | FORM WASHER 16X1 NIRO 03 | 1 |
| 11 | 0760123071 | SHAFT SEAL RING. 12X30X7 VITON | 1 |
| 14 | 0760123073 | SHAFT SEAL RING 12X30X7 PTFE | 1 |
| 15 | 0474050100 | GROOVED PIN DIN1474 5X10 | 2 |

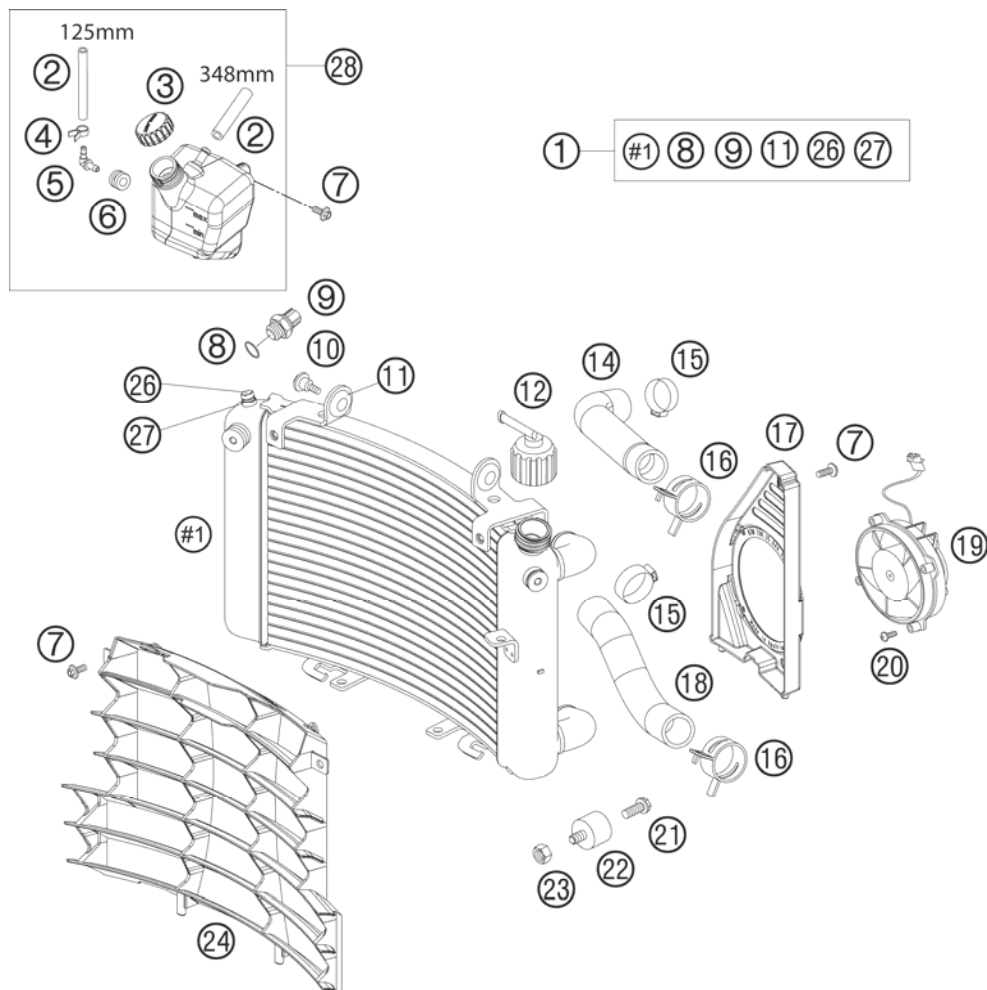
097503510 / C097503510

* NEW PART

X AS REQUIRED

COOLING SYSTEM

690 LC4 DUKE 2009

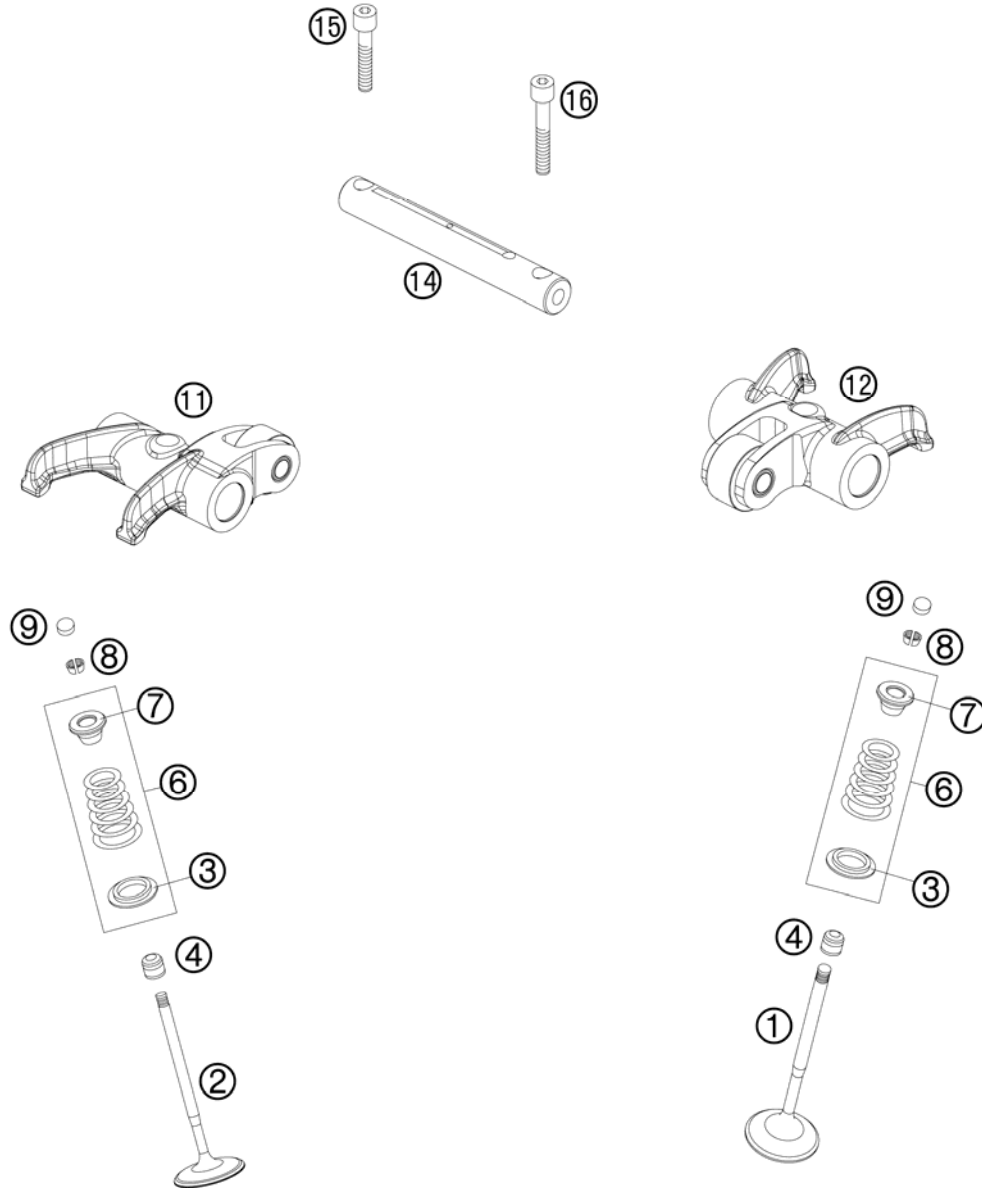


| FIG | PART NUMBER | DESCRIPTION | QTY |
|-----|-------------|--------------------------------|------|
| 1 | 75035010000 | RADIATOR "45529" | 07 |
| 2 | 60035067001 | HOSE 6X10 EPDM | 03 |
| 3 | 60035066000 | PLUG F. EXPANSION TANK | 1 |
| 4 | 58007117000 | YDNAC-CLAMP 10107 10MM | x |
| 5 | 60035068000 | ANGLE CONNECTION EXPANS. TANK | 1 |
| 6 | 60035069000 | RUBBER GROMMET 6X9X13MM | 04 |
| 7 | 0024060106 | HH COLLAR SCREW M6X10 TX30 | 4 |
| 8 | 0770017015 | O-RING 17X1,5 NB75 | 1 |
| 9 | 60035045000 | THERMOSWITCH LC8 102DG '03 | 1 |
| 10 | 60035001000 | SPECIAL SCREW M6X21 WS=8 | 2 |
| 11 | 41001052000 | RUBBER SLEEVE D=12MM | 2 |
| 12 | 62535009000 | RADIATOR CAP 1,4 BAR | 1 |
| 14 | 75035027000 | RADIATOR HOSE | 07 |
| 15 | 00050331706 | VARIABLE ONE-EAR CLAMP 33,1MM | 2 |
| 16 | 00049320121 | CLAMP STD DN32 | 2 |
| 17 | 75035044000 | FAN COWL | 07 |
| 18 | 75035026000 | RADIATOR HOSE | 07 |
| 19 | 58435041000 | FAN CPL. 12V LC4 | 2000 |
| 20 | 0020050163 | EJOT SCREW K50X16 1451 | 4 |
| 21 | 0025060106 | HH COLLAR SCREW M6X10 TX30 | 2 |
| 22 | 43205062100 | RUBBER GROMMET 20X15-M6X10 (1) | 2 |
| 23 | 0985060003 | SELF LOCK. NUT DIN0985-M 6 | 2 |
| 24 | 75035040000 | RADIATOR PROTECTOR | 07 |
| 26 | 0025060106 | HH COLLAR SCREW M6X10 TX30 | 1 |
| 27 | 60035048000 | ALU-GASKET 6X10X1.5 | 1 |
| 28 | 75035065000 | EXPANSION TANK CPL. | 07 |

087503530 / C097503531

* NEW PART

X AS REQUIRED

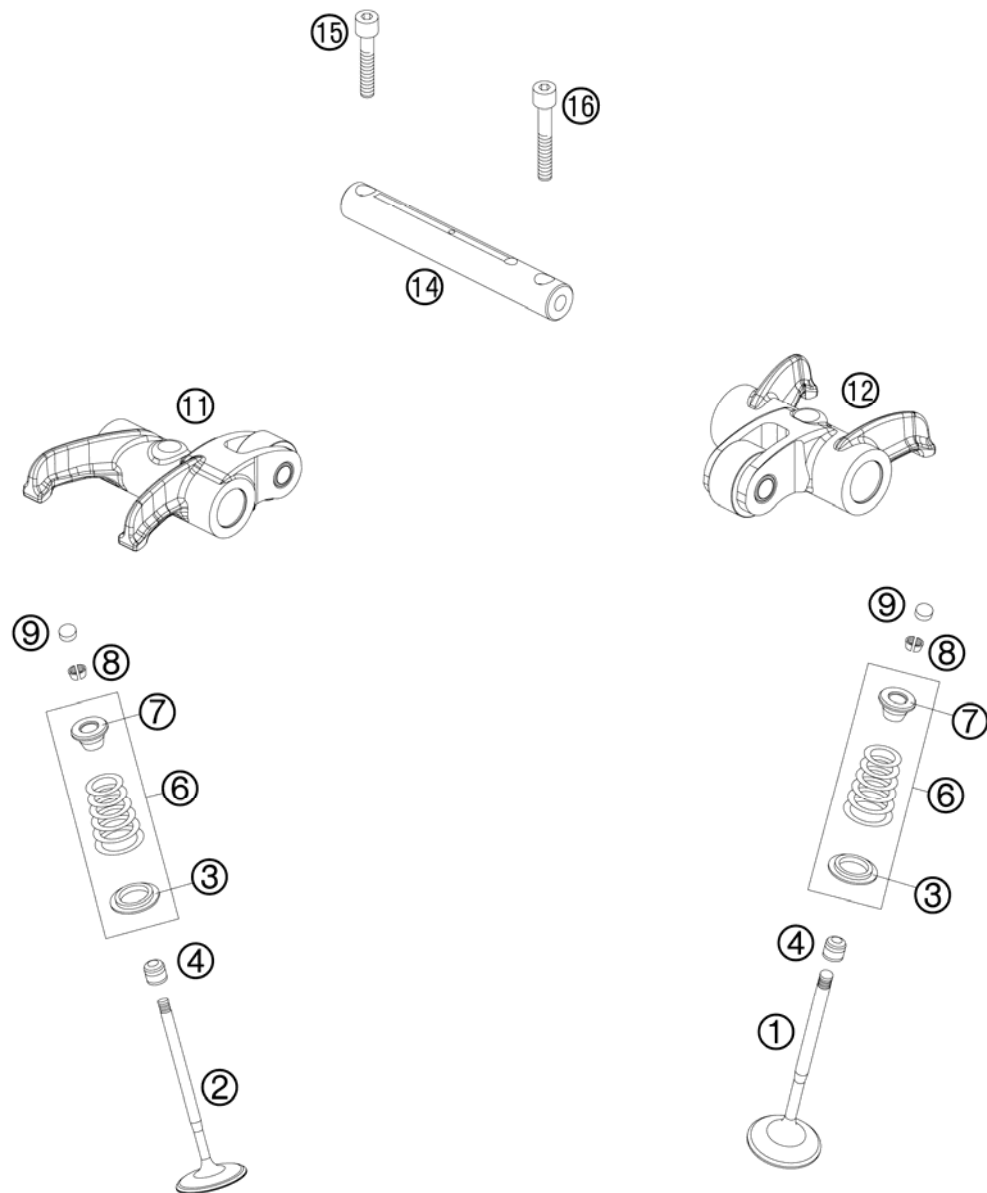


| FIG | PART NUMBER | DESCRIPTION | QTY |
|-----|-------------|----------------------------|-----|
| 1 | 75036030000 | INTAKE VALVE 07 | 2 |
| 2 | 75036031000 | EXHAUST VALVE 07 | 2 |
| 3 | 75036036000 | VALVE SPRING HOLDER 07 | 4 |
| 4 | 59036027000 | VALVE-STEM SEALING RACING | 4 |
| 6 | 75036028044 | VALVE SPRING KIT 07 | 4 |
| 7 | 75036032000 | VALVE SPRING RETAINER 07 | 4 |
| 8 | 60036033000 | VALVE COLLET MK6 03 | 8 |
| 9 | 60036035185 | SHIM D=10/1,85 03 | x |
| 9 | 60036035190 | SHIM D=10/1,90 03 | x |
| 9 | 60036035195 | SHIM D=10/1,95 03 | x |
| 9 | 60036035200 | SHIM D=10/2,00 03 | x |
| 9 | 60036035205 | SHIM D=10/2,05 03 | x |
| 9 | 60036035210 | SHIM D=10/2,10 03 | x |
| 9 | 60036035215 | SHIM D=10/2,15 03 | x |
| 9 | 60036035220 | SHIM D=10/2,20 03 | x |
| 9 | 60036035225 | SHIM D=10/2,25 03 | x |
| 9 | 60036035230 | SHIM D=10/2,30 03 | x |
| 9 | 60036035235 | SHIM D=10/2,35 03 | x |
| 9 | 60036035240 | SHIM D=10/2,40 03 | x |
| 9 | 60036035245 | SHIM D=10/2,45 03 | x |
| 9 | 60036035250 | SHIM D=10/2,50 03 | x |
| 9 | 60036035255 | SHIM D=10/2,55 03 | x |
| 9 | 60036035260 | SHIM D=10/2,60 03 | x |
| 9 | 60036035265 | SHIM D=10/2,65 03 | x |
| 9 | 60036035270 | SHIM D=10/2,70 03 | x |
| 9 | 60036035275 | SHIM D=10/2,75 03 | x |
| 9 | 60036035280 | SHIM D=10/2,80 03 | x |
| 9 | 60036035285 | SHIM D=10/2,85 03 | x |
| 9 | 60036035290 | SHIM D=10/2,90 03 | x |
| 9 | 60036035295 | SHIM D=10/2,95 03 | x |
| 9 | 60036035300 | SHIM D=10/3,00 03 | x |
| 9 | 60036035305 | SHIM D=10/3,05 03 | x |
| 9 | 60036035310 | SHIM D=10/3,10 03 | x |
| 9 | 60036035315 | SHIM D=10/3,15 03 | x |
| 9 | 60036035320 | SHIM D=10/3,20 03 | x |
| 11 | 75036061044 | ROCKER ARM EXHAUST CPL. 07 | 1 |

087503610 / C087503610

* NEW PART

X AS REQUIRED



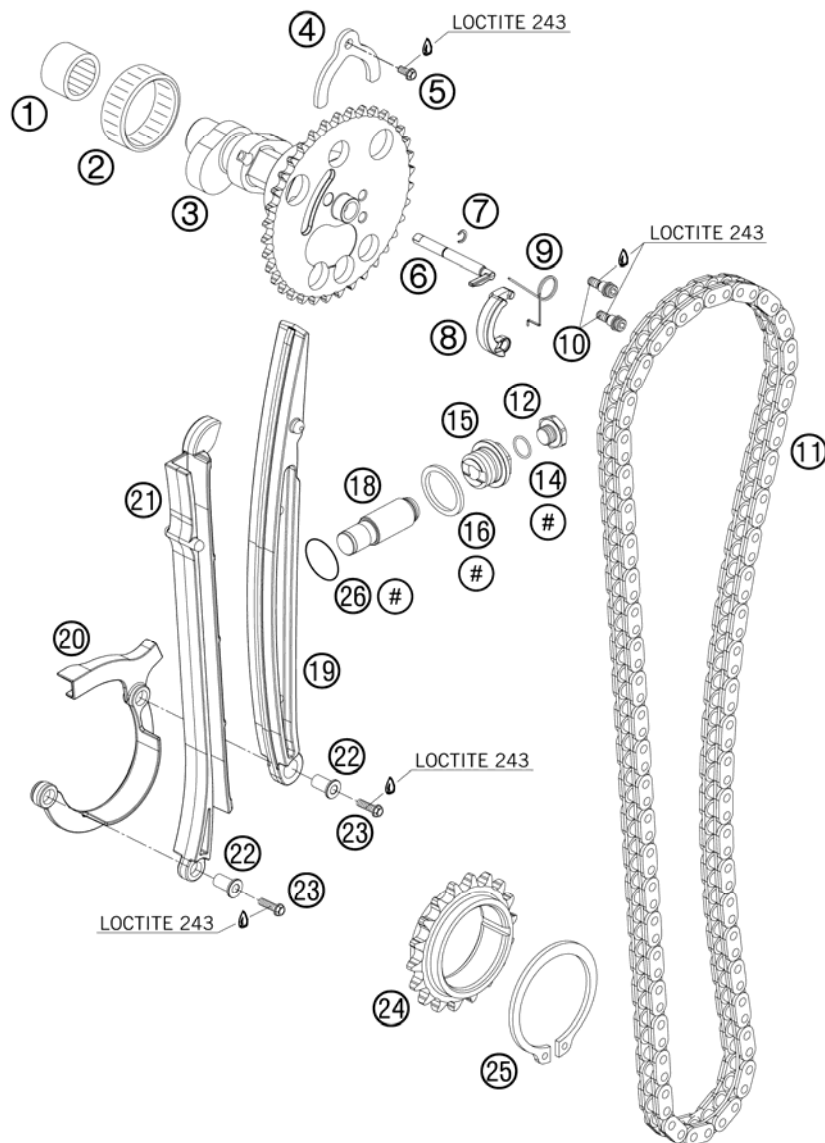
| FIG | PART NUMBER | DESCRIPTION | QTY |
|-----|-------------|---------------------------|-----|
| 12 | 75036060044 | ROCKER ARM INTAKE CPL. 07 | 1 |
| 14 | 75036056000 | ROCKER ARM SHAFT 07 | 2 |
| 15 | 0912060306 | AH SCREW DIN912 M6x30 | 2 |
| 16 | 0912060406 | AH SCREW DIN0912 M 6X40 | 2 |

087503610 / C087503610

* NEW PART

X AS REQUIRED

ENTHALTEN IM DICHTSATZ MOTOR LC4
INCLUDED IN GASKET-SET ENGINE LC4



| FIG | PART NUMBER | DESCRIPTION | QTY |
|-----|-------------|--------------------------------|-----|
| 1 | 0618182414 | NEEDLE SLEEVE HK1814RS18/24/14 | 1 |
| 2 | 0618404712 | NEEDLE SLEEVE HK4012B40X47X12 | 1 |
| 3 | 75036010000 | CAMSHAFT 07 | 1 |
| 4 | 75036010050 | CAMSHAFT HOLDER 07 | 1 |
| 5 | 0025060126 | HH COLLAR SCREW M6X12 TX30 | 1 |
| 6 | 75036016000 | AUTO DECOMPRESSION 07 | 1 |
| 7 | 75036016050 | HALF MOON RING H6-BLS 07 | 1 |
| 8 | 75036015000 | AUTO DECO WEIGHT 07 | 1 |
| 9 | 75036017000 | SPRING FOR AUTO DECOMPR. 07 | 1 |
| 10 | 75036019000 | DECO SCREW 07 | 2 |
| 11 | 75036013000 | TIMING CHAIN 104 LINKS 07 | 1 |
| 12 | 77336008010 | HOLDING BOLT | 1 |
| 14 | 0770010010 | O-RING 10,00X1,00 NBR 70 SH | 1 |
| 15 | 75036008000 | SCREW PLUG CHAIN ADJ. 07 | 1 |
| 16 | 0603202702 | CU SEAL-RING 20X27X1 | 1 |
| 18 | 77036003000 | CHAIN ADJUSTER HYD. 05 | 1 |
| 19 | 75036002000 | TENSIONER RAIL 07 | 1 |
| 20 | 75036018000 | SECURING GUIDE 07 | 1 |
| 21 | 75036001000 | GUIDE RAIL 07 | 1 |
| 22 | 75036018050 | SUPPORTING SLEEVE 07 | 2 |
| 23 | 0025060306S | HH COLLAR SCREW M6X30 TX30 | 2 |
| 24 | 75036014000 | TIMING PULLEY 07 | 1 |
| 25 | 0471300151 | CIRCLIP DIN0471-30X1,5 NIRO | 1 |
| 26 | 0770180020 | O-RING 18,00X2,00 NBR 70 | 1 |

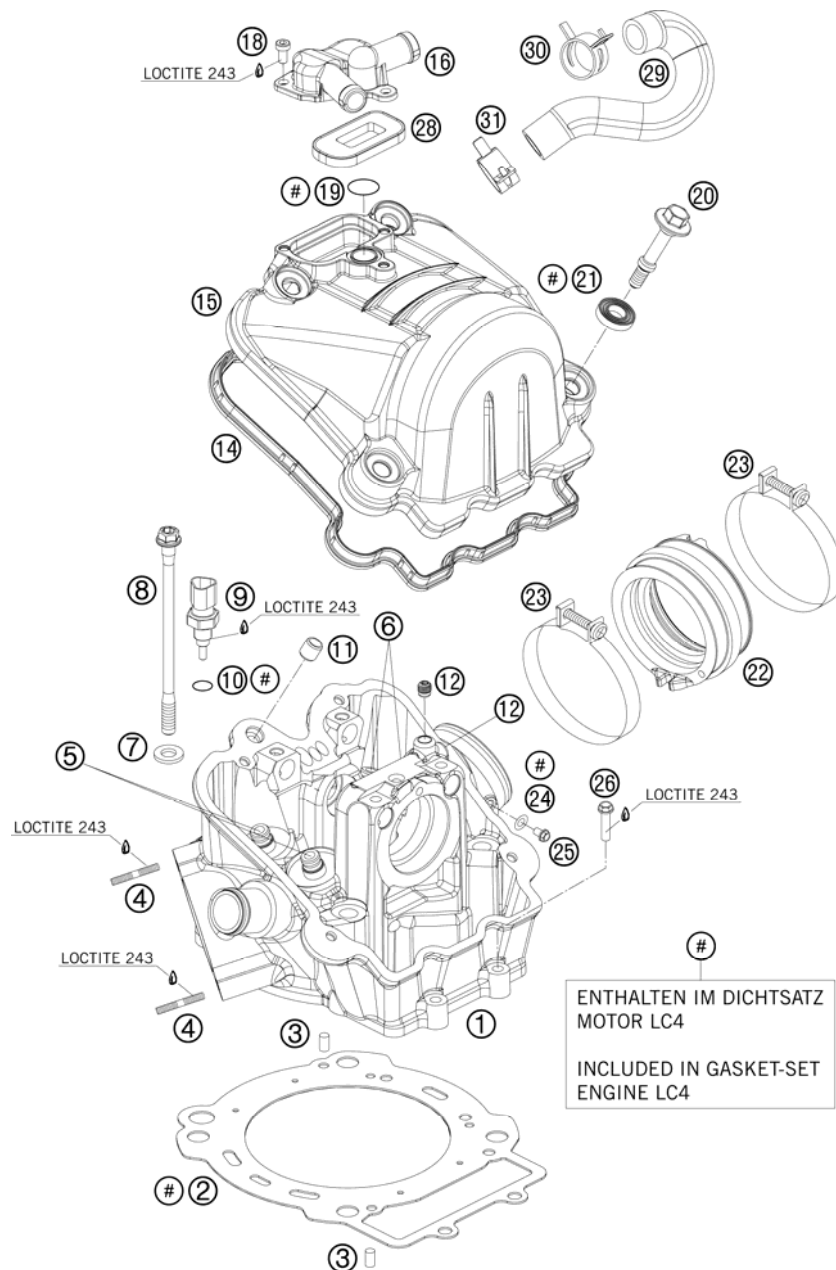
097503620 / C097503620

* NEW PART

X AS REQUIRED

CYLINDER HEAD

690 LC4 DUKE 2009

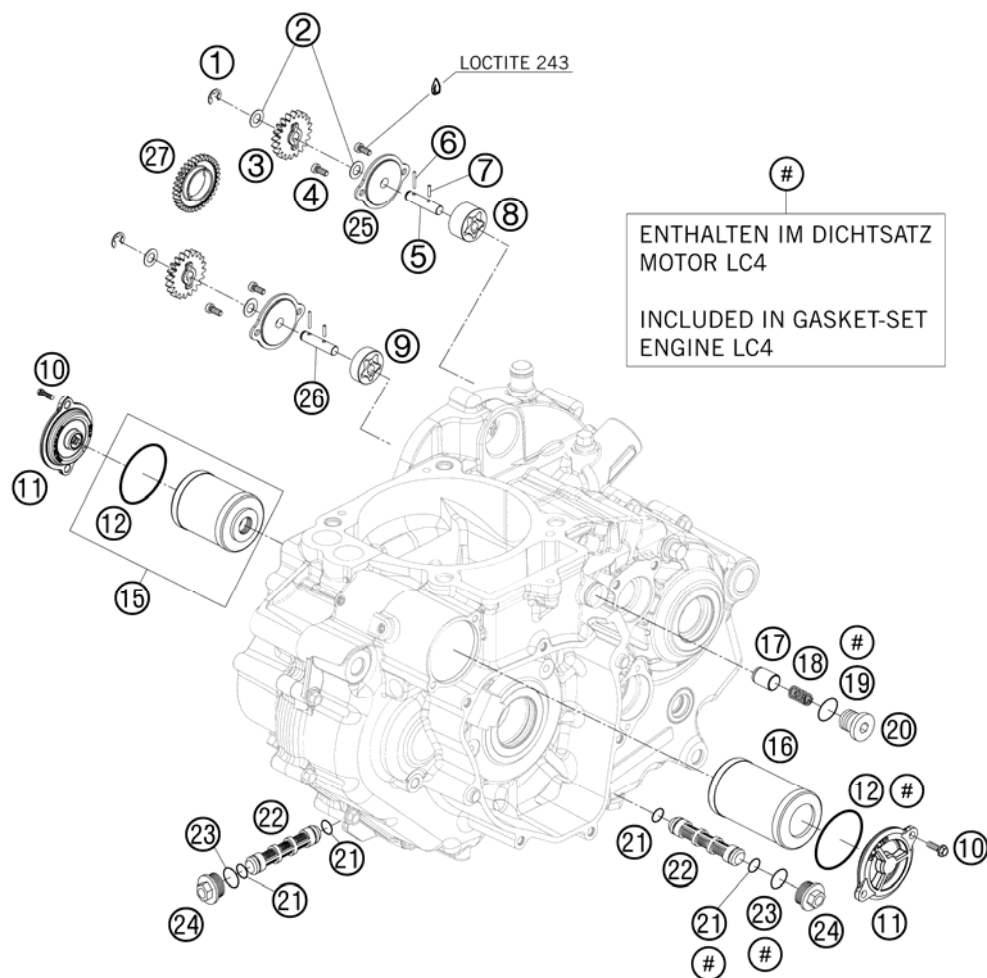


| FIG | PART NUMBER | DESCRIPTION | QTY |
|-----|-------------|--------------------------------|-----|
| 1 | 75036020100 | CYLINDER HEAD CPL. 05 | 1 |
| 2 | 75030036000 | CYLINDER HEAD GASKET 07 | 1 |
| 3 | 0474050100 | GROOVED PIN DIN1474 5X10 | 2 |
| 4 | 0835080256 | STUD DIN0835-M 8X25 10.9 | 2 |
| 5 | 60036026100 | VALVE GUIDE OUTLET '05 | 2 |
| 6 | 60036025100 | VALVE GUIDE INDUCTION '05 | 2 |
| 7 | 60036078050 | SHIM 10,2X19X1,5MM 05 | 4 |
| 8 | 75036079000 | CYLINDERHEAD SCREW M10X168WS14 | 4 |
| 9 | 75035047000 | TEMPERATURE SENSOR WATER 07 | 1 |
| 10 | 0770100020 | O-RING 10,00X2,00 SILCONE | 1 |
| 11 | 49030090000 | DOWEL 9,8 X 7 X 10 | 1 |
| 12 | 59030296000 | SCREW PLUG | 4 |
| 14 | 75036053000 | VALVE COVER GASKET 07 | 1 |
| 15 | 75036052000 | VALVE COVER 07 | 1 |
| 16 | 75036052050 | BREATHER COVER 07 | 1 |
| 18 | 07984050100 | AH SCREW DIN7984 M5X10 A2 | 3 |
| 19 | 0770150151 | O-RING 15,00X1,50 VITON | 1 |
| 20 | 75036055000 | VALVE COVER SCREW 05 | 4 |
| 21 | 75036052010 | DECOUPLING ELEMENT 07 | 4 |
| 22 | 75036044000 | INTAKE BOOT 07 | 1 |
| 23 | 75036047000 | HOSE CLAMP GEMI 70MM | 2 |
| 24 | 0603061001 | CU-SEAL RING DIN7603-6X10X1 | 1 |
| 25 | 0025060086 | HH COLLAR SCREW M6X8 TX30 | 1 |
| 26 | 0025060256 | HH COLLAR SCREW M6X25 TX30 | 2 |
| 28 | 60005026000 | SLS-VALVE 03 | 1 |
| 29 | 75030084000 | BREATHER SYSTEM CYL. BOX 07 | 1 |
| 30 | 00049200121 | CLAMP STD DN20 | 1 |
| 31 | 00049210121 | CLAMP 21X12 STD-DES | 1 |

097563630 / C097563630

* NEW PART

X AS REQUIRED



| FIG | PART NUMBER | DESCRIPTION | QTY |
|-----|-------------|--------------------------------|-----|
| 1 | 0799060000 | TAB WASHER DIN6799-RS 6,0 | 2 |
| 2 | 58038007755 | STOP DISK 8,1 X 15 X 0,5 | 4 |
| 3 | 75038001020 | OIL PUMP GEAR 20-T | 2 |
| 4 | 07984050100 | AH SCREW DIN7984 M5X10 A2 | 4 |
| 5 | 75038002000 | OIL PUMP SHAFT 07 | 1 |
| 6 | 0402251980 | NEEDLEROL.DIN5402 NRA 2,5X19,8 | 2 |
| 7 | 0402251180 | NEEDLE ROLLER DIN5402 2,5X11,8 | 2 |
| 8 | 77038011000 | OILPUMP ROTOR 15MM G-164 | 1 |
| 9 | 59038011010 | OILPUMP ROTOR CPL. 10MM G-73R | 1 |
| 10 | 0025050166 | HH COLLAR SCREW M5X16 TX30 | 4 |
| 11 | 75038041200 | OILFILTER CAP | 2 |
| 12 | 0770039026 | O-RING 39,34X2,62 NBR 70 SH | 2 |
| 15 | 59038046144 | OIL FILTER SHORT WITH GASKET | 1 |
| 16 | 58038005100 | OIL FILTER LONG | 1 |
| 17 | 58038028000 | VALVE PISTON D=10MM | 1 |
| 18 | 58538023000 | OIL PRES.SPRING 5 BAR RED 2001 | 1 |
| 19 | 58038022000 | CU-SEAL RING DIN7603-12X18X1,5 | 1 |
| 20 | 0908120153 | PLUG DIN0908-M12X1,5 | 1 |
| 21 | 07701250151 | O-RING 12,5X1,5 VITON V75 | 4 |
| 22 | 59038016000 | OIL SCREEN 15X83MM | 2 |
| 23 | 0770020170 | O-RING 17,17X1,78 GLO | 2 |
| 24 | 59038017000 | PLUG M20X1,5 WS=13 | 2 |
| 25 | 75038003000 | OIL PUMP COVER 07 | 2 |
| 26 | 75038004000 | OIL PUMP SHAFT 07 | 1 |
| 27 | 75032050001 | OIL PUMP DRIVE WHEEL 07 | 1 |

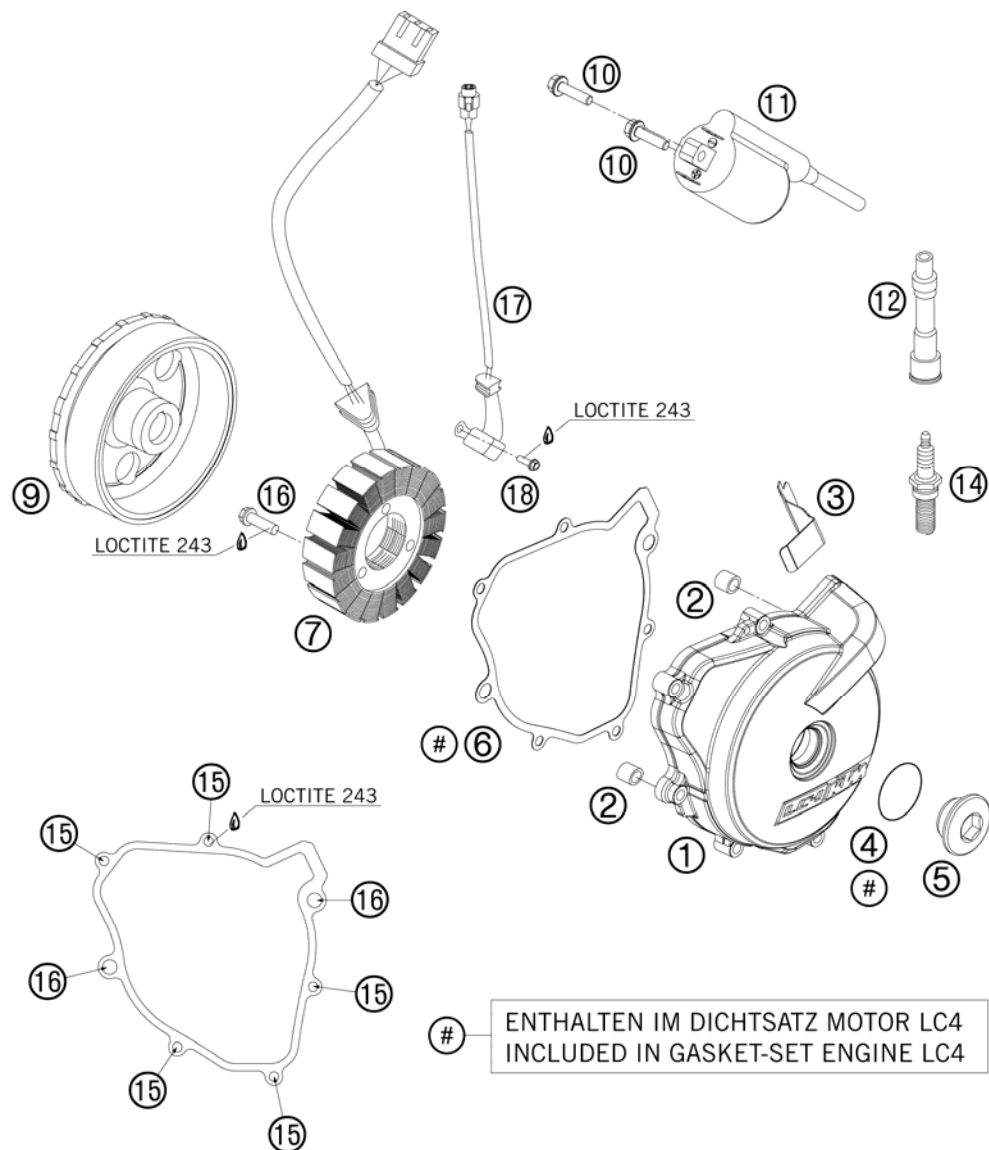
097503810 / C097503810

* NEW PART

X AS REQUIRED

IGNITION SYSTEM

690 LC4 DUKE 2009



| FIG | PART NUMBER | DESCRIPTION | QTY |
|-----|---------------|-------------------------------|-----|
| 1 | 75030002000 | IGNITION COVER 07 | 1 |
| 2 | 49030090000 | DOWEL 9,8 X 7 X 10 | 2 |
| 3 | 60039040020 | CABLE SUPPORT GENERATOR 03 | 1 |
| 4 | 07700240251 | O-RING 24X2,5 VITON | 1 |
| 5 | 6003009400030 | SCREW PLUG M24X1,5 PA 6.6 | 1 |
| 6 | 75030040000 | IGNITI.COVER GASKET 07 | 1 |
| 7 | 75039004000 | STATOR | 1 |
| 9 | 75039005000 | FLYWHEEL | 1 |
| 10 | 0025050166 | HH COLLAR SCREW M5X16 TX30 | 2 |
| 11 | 75039006000 | IGNITIONCOIL 07 | 1 |
| 12 | 75039090000 | SPARK PLUG CONNECT. | 1 |
| 14 | 75039093000 | SPARK PLUG M12X1,25 LKAR8AI-9 | 1 |
| 15 | 0025060256 | HH COLLAR SCREW M6X25 TX30 | 5 |
| 16 | 0025060306 | HH COLLAR SCREW M6X30 TX30 | 5 |
| 17 | 75039034000 | PULSER COIL | 1 |
| 18 | 0025060166 | HH COLLAR SCREW M6X16 TX30 | 2 |

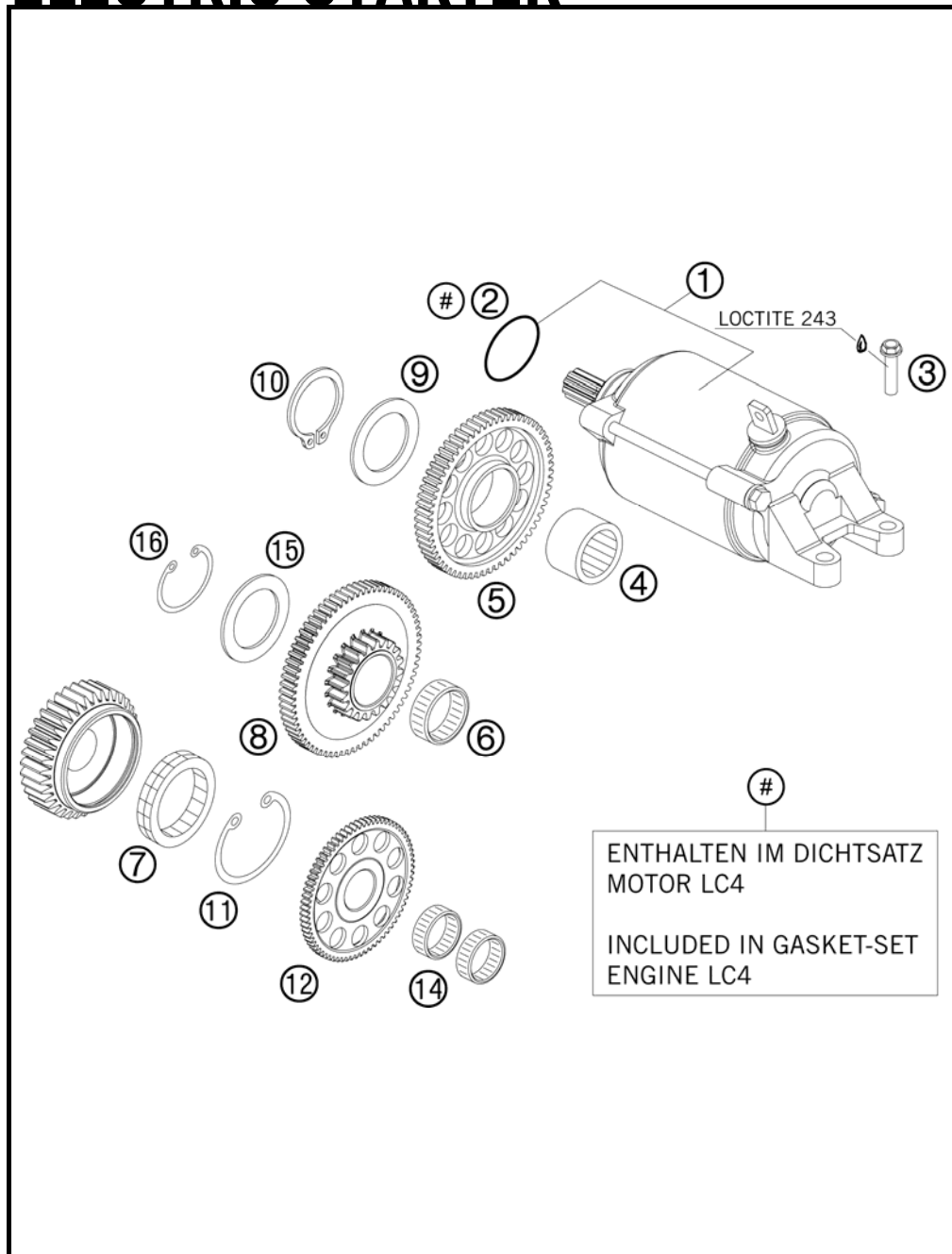
097503910 / C097503910

* NEW PART

X AS REQUIRED

ELECTRIC STARTER

690 LC4 DUKE 2009



| FIG | PART NUMBER | DESCRIPTION | QTY |
|-----|-------------|--------------------------------|-----|
| 1 | 75040001000 | E-STARTER ENGINE CPL. 07 | 1 |
| 2 | 0770335030 | O-RING 33,5X3 VITON | 1 |
| 3 | 0025060206 | HH COLLAR SCREW M6X20 TX30 | 2 |
| 4 | 0618172312 | NEEDLE SLEEVE HK 1712 17X23X12 | 1 |
| 5 | 75040022000 | INTERMEDIATE GEAR | 1 |
| 6 | 0405172117 | NEEDLE BEARING K17X21X17 | 1 |
| 7 | 75040026000 | FREE WHEEL | 1 |
| 8 | 75040015000 | TORQUE LIMITER 07 | 1 |
| 9 | 54633090000 | STOP DISK 17,2X25X1 | 1 |
| 10 | 0471170010 | CIRCLIP DIN0471-17X1 | 1 |
| 11 | 0472056200 | CIRCLIP DIN0472 J56 | 1 |
| 12 | 75040020000 | FREEWHEEL GEAR 07 | 1 |
| 14 | 0405263013 | NEEDLE BEAR. K 26X30X13 | 2 |
| 15 | 75040015007 | STOP DISK 17,2X22X1 | 1 |
| 16 | 0471170100 | CIRCLIP DIN 0471-17X1 | 1 |

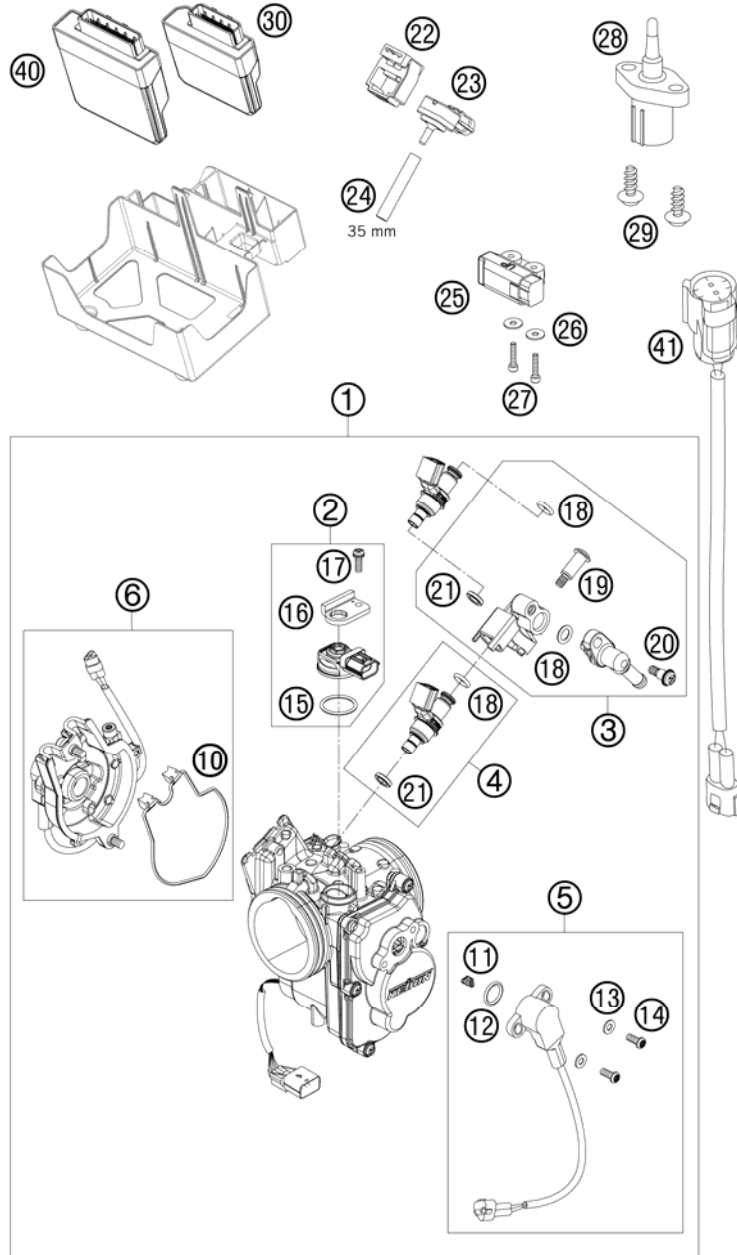
097504010 / C097504010

* NEW PART

X AS REQUIRED

THROTTLE BODY

690 LC4 DUKE 2009



| FIG | PART NUMBER | DESCRIPTION | QTY |
|-----|-------------|--------------------------------|-----|
| 1 | 75041001000 | THROTTLE BODY | 1 |
| 2 | 75041085044 | MAP SENSOR CPL. | 07 |
| 3 | 75041013044 | FUEL RAIL ASSY SET | 07 |
| 4 | 75041023044 | FUEL INJECTOR ASSY SET | 07 |
| 5 | 75041077044 | TPS CPL. | 07 |
| 6 | 75041001044 | APS CPL. | 07 |
| 10 | 75041001060 | PACKING | 1 |
| 11 | 75041077020 | CONNECTOR JOINT | 1 |
| 12 | 75041077010 | O-RING | 1 |
| 13 | 75041077040 | WASHER | 2 |
| 14 | 75041077030 | SCREW TORX | 2 |
| 15 | 75041085010 | O-RING | 1 |
| 16 | 75041085020 | PLATE, STAY | 1 |
| 17 | 75041085030 | SCREW WASHER | 1 |
| 18 | 75041023020 | O-RING | 2 |
| 19 | 75041013060 | SCREW SHOULDER | 1 |
| 20 | 75041013010 | SCREW SHOULDER | 1 |
| 21 | 75041023010 | SEAL RING | 1 |
| 22 | 61041085150 | RUBBER SUPP. PRESSURE SENS. 06 | 1 |
| 23 | 61041085100 | PRESSURE SENSOR | 06 |
| 24 | 60031098001 | HOSE 3,2X8,5 PER METER | x |
| 25 | 61041088000 | ROLLOVER SENSOR | 05 |
| 26 | 61041088050 | SHIM 4,3X15X1,25MM GALVANIZED | 2 |
| 27 | 0912040203 | AH SCREW DIN 912-M 4X20 | 2 |
| 28 | 61041080000 | AMBIENT-AIR TEMPERATURE SENSOR | 1 |
| 29 | 0016050121 | SCREW FOR PLASTIC 50X12 | 2 |
| 30 | 75041032000 | TIMING CHARGER EPT | 07 |
| 40 | 75041031000 | TIMING CHARGER EFI | 07 |
| 41 | 75011047000 | AMBIENT-AIR TEMP. SENSOR CABLE | 1 |

097504110 / C087504111

* NEW PART

X AS REQUIRED





KTM-Sportmotorcycle AG
A-5230 Mattighofen
www.ktm.at

KTM Group Partner



3CM088515IEN



Art.Nr.: 3CM088515IEN 10/2008