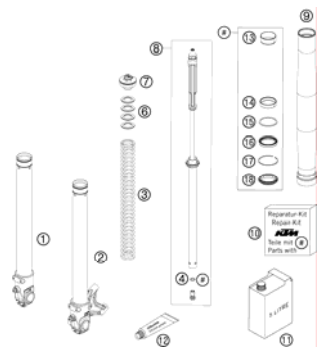
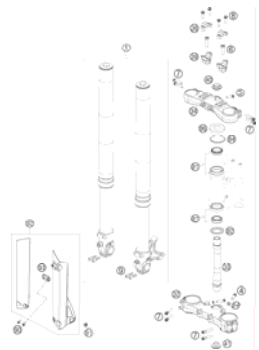
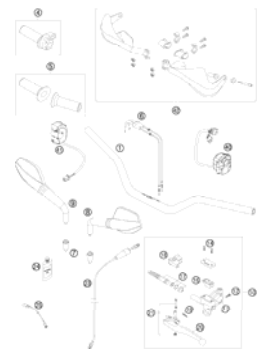
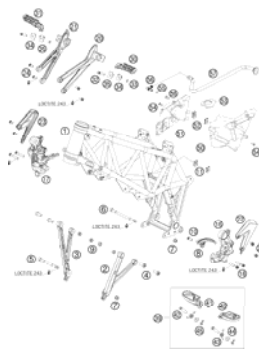
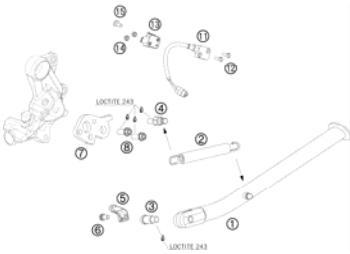
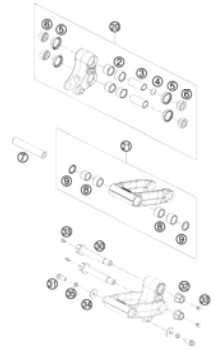
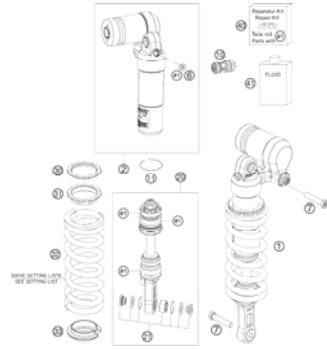

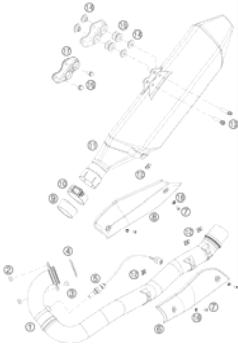
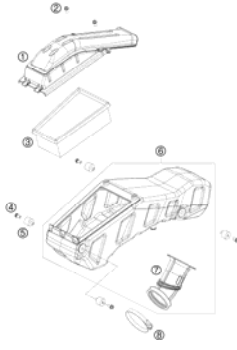
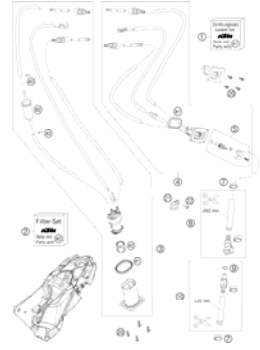
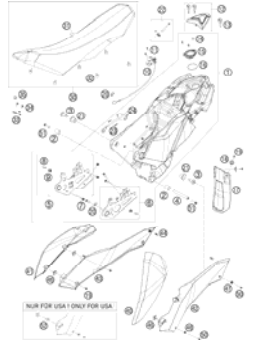


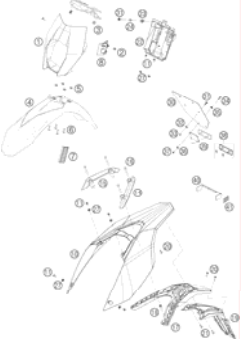

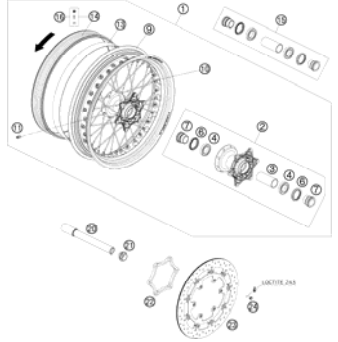
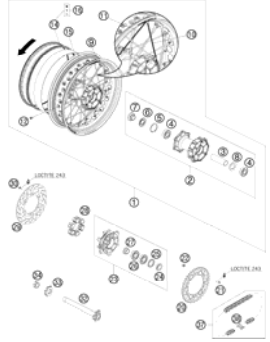
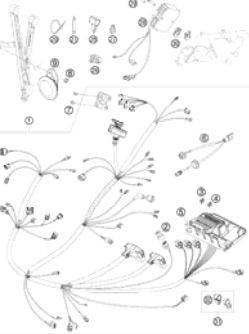
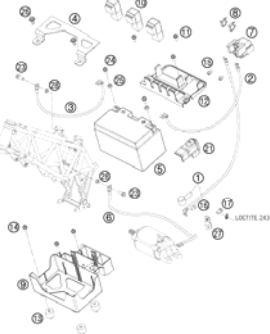

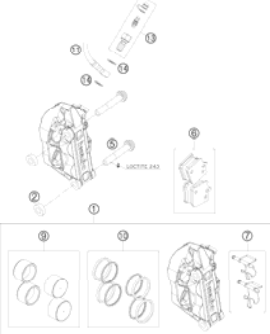




SPARE PARTS MANUAL: CHASSIS


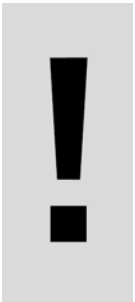
ART.NO.: 3CF9703J9EN

ENGLISH



<p>FRONT FORK DISASSEMBLED</p>  <p>4</p>	<p>FRONT FORK, TRIPLE CLAMP</p>  <p>5</p>	<p>HANDLEBAR, CONTROLS</p>  <p>6</p>	<p>FRAME</p>  <p>7</p>
<p>SIDE / CENTER STAND</p>  <p>9</p>	<p>PRO LEVER LINKING</p>  <p>10</p>	<p>SHOCK ABSORBER</p>  <p>11</p>	<p>SWING ARM</p>  <p>12</p>
<p>EXHAUST SYSTEM</p>  <p>13</p>	<p>AIR FILTER</p>  <p>14</p>	<p>FUEL PUMP</p>  <p>15</p>	<p>TANK, SEAT, COVER</p>  <p>16</p>

MASK, FENDERS  18	DECAL  20	FRONT WHEEL  21	REAR WHEEL  22
WIRING HARNESS  23	BATTERY  24	HAND BRAKE CYLINDER  25	BRAKE CALIPER FRONT  26
BRAKE CALIPER REAR  27	REAR BRAKE CONTROL  28	LIGHTING SYSTEM  29	INSTRUMENTS / LOCK SYSTEM  30

<p>ACCESSORIES KIT</p>  <p style="text-align: right;">31</p>			
	<div style="display: flex; align-items: center;">  <p>All information contained is without obligation. KTM-Sportmotorcycle AG particularly reserves the right to modify any equipment, technical specifications, prices, colors, shapes, materials, services, service work, constructions, equipment and the like so as to adapt them to local conditions or to cancel any of the above items, all without previous announcement and without giving reasons. KTM may stop manufacturing certain models without previous notice. KTM shall not be held liable for any deviations of availability and/or ability to deliver, illustrations, descriptions, printing and/or other errors. The illustrated models partly contain extra equipment, which is not applied to standard models. © by KTM-SPORTMOTORCYCLE AG, Mattighofen AUSTRIA; All rights reserved; Reprint, also in extracts, with written allowance of KTM-SPORTMOTORCYCLE AG, Mattighofen only.</p> </div>		

FRONT FORK DISASSEMBLED

690 SMC EU 2010

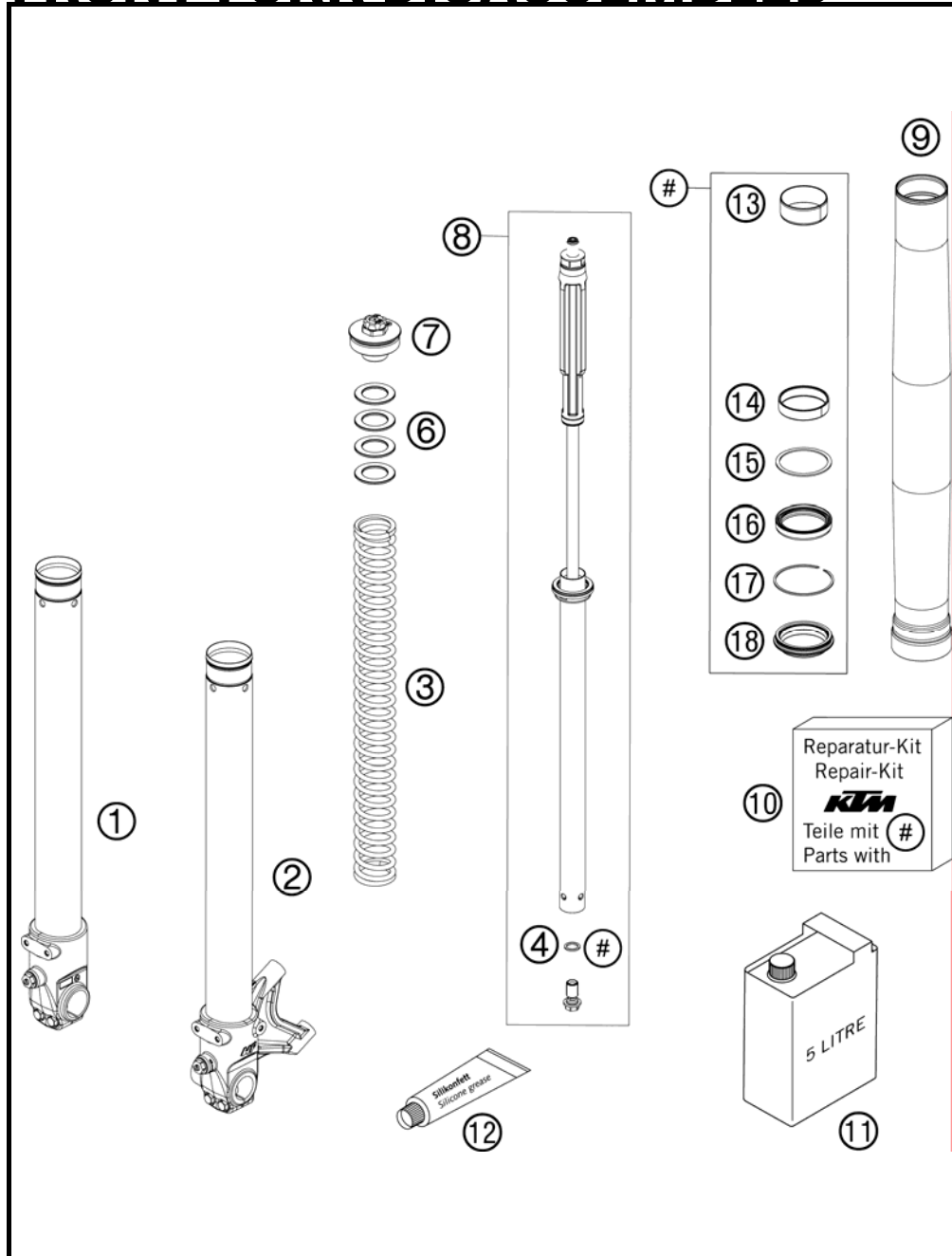


FIG	PART NUMBER	DESCRIPTION	QTY
1	48600536S3	AXLE CLAMP R/S CPL. 09	1
2	48600535S3	AXLE CLAMP L/S CPL. 09	1
3	91410058S	SPRING D43.2 L465 5N/MM SET	x
3	91410064S	SPRING D43.2L465 5.2N/MM D5.25	x
3	91410065S	SPRING D43.2L465 5.4N/MM D5.25	x
4	48600704	SEALING RING COPPER 12X18X1,5	2
6	48600036	SPACER 42X26,5X2,5	2
6	48600037	SPACER 42X26,5X5	2
6	48600038	SPACER 42X26,5X10	2
6	48600053	SPACER 42X26,5X1,5	2
7	48600558S	SCREW CAP M51X1,5 CPL. 07	2
8	48600705S1	CARTRIDGE CPL. 08	2
9	48600814	OUTER TUBE	2
10	R14017	REPAIR-KIT GASKET 09	1
11	48600765S1	FORK OIL SAE5 5L 2008	1
12	T511	SILICONE GREASE F. DUST STRI	1
13	48600428	DU-BUSH D47XD49X20DDL02	2
14	48600429	DU-BUSH D48XD52X12DDL02	2
15	48600013	SUPPORT RING 50 X 57,6 X 1,5	2
16	48600347	OIL SEAL RING 48X57,8X9,5 03	2
17	48600070	LOCK WASHER SB58	2
18	48600400	DUST CAP D=48 58,4X11,8	2

087500131 / C097650132

* NEW PART

X AS REQUIRED

FRONT FORK, TRIPLE CLAMP

690 SMC EU 2010

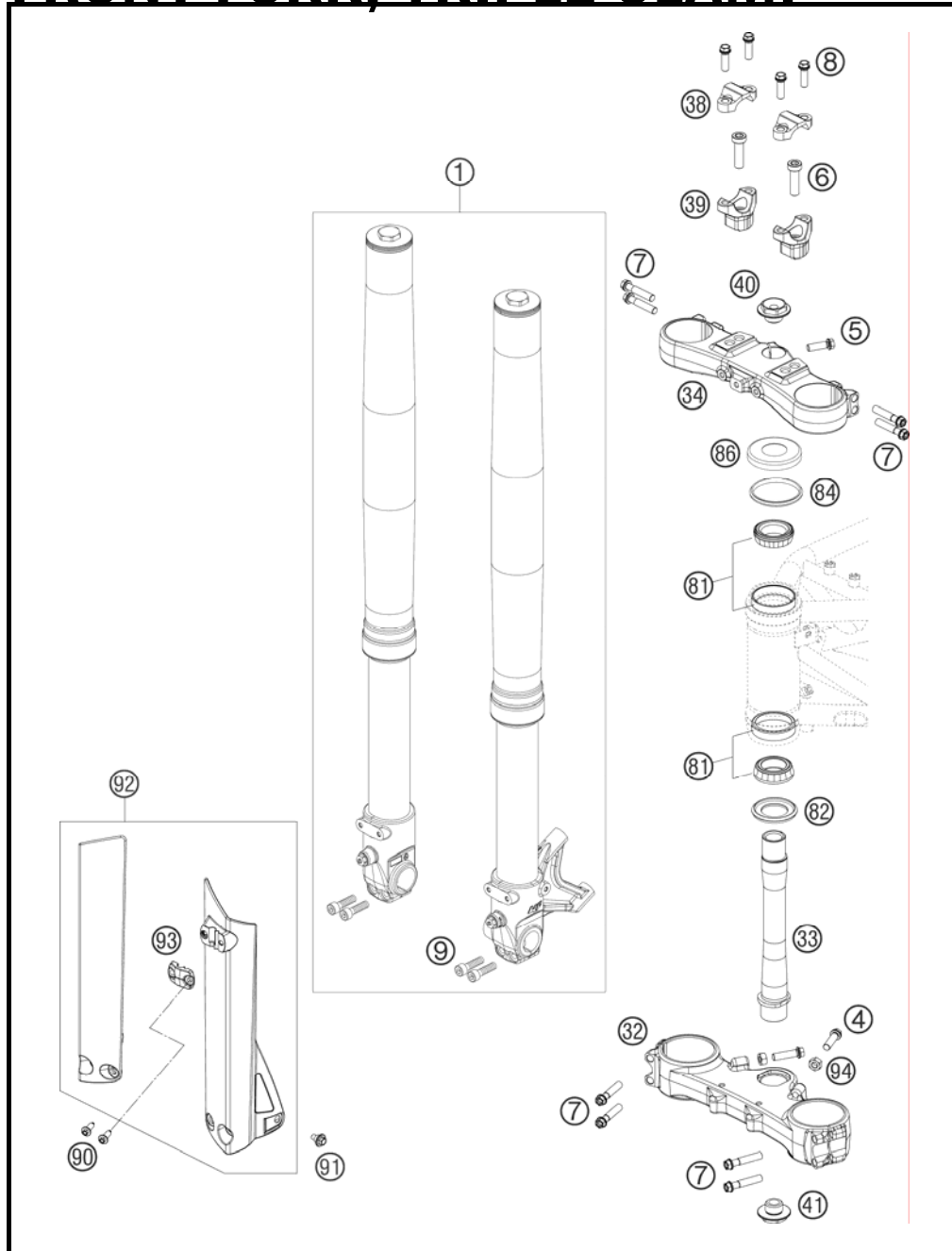


FIG	PART NUMBER	DESCRIPTION	QTY
1	14187E1201	FORK 690 SMC 2009	1
4	0933080253	HH SCREW DIN0933-M 8X25	2
5	0025080306	HH COLLAR SCREW M8X30 TX40	1
6	0912100356	AH SCREW DIN6912-M10X35 10.9	2
7	0025080406	HH COLLAR SCREW M8X40 TX40	8
8	0025080256	HH COLLAR SCREW M8X25 TX40	4
9	0912080303	AH SCREW DIN0912-M 8X30	4
32	7650113103301S	BOT.TRIPLE CLAMP 32-34 OFFSET	1
33	76501033000	FORK TUBE L=237MM 08	1
34	7650113403301	TRIPLE CLAMP TOP 32-34 ADJUST.	1
38	59401038000	HANDLEBAR CLAMP 28MM 05	2
39	59401039042	HANDLEB.SUPP. D=28MM H=42MM 05	2
40	54801036000	STEER.HEAD SCREW M20X1,5 WS=27	1
41	54801036100	STE.HEAD SCR. M20X1,5 WS=27 SL	1
81	54201081100	TAPERED ROLLER BEARING CPL. 06	2
82	54601084100	O-RING SUPPORT W. SEALING LIP	1
84	54601184000	STEERING HEAD GASKET TOP	1
86	54201086000	STEERING HEAD COVER	1
90	0017060204	EJOT PT SCREW K60X20 ALU WS=6	2
91	59001092050	SPECIAL SCREW M6X12,5 WS=8	6
92	7650109400030	FORK PROTECT. L/S+R/S BLACK 08	1
93	7650109201030	FORK PROTECTOR CLAMP	1
94	0934080003	HEXAGON NUT DIN0934-M 8	2

087650111 / C107650112

* NEW PART

X AS REQUIRED



HANDLEBAR, CONTROLS

690 SMC EU 2010

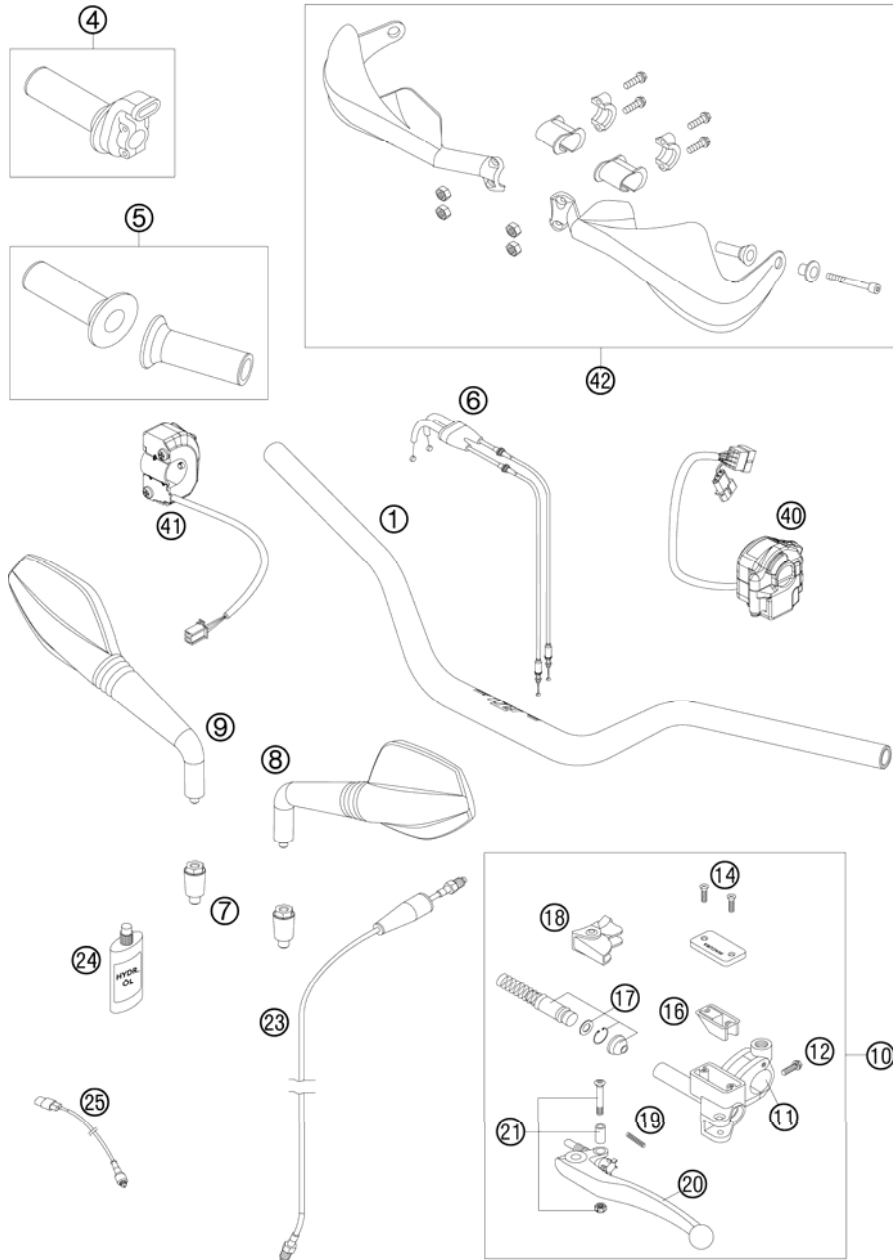


FIG	PART NUMBER	DESCRIPTION	QTY
1	5480200120017	HANDLEBAR D=28 MM RENTHAL 796	1
4	76502010000	THROTTLE GRIP CPL. 08	1
5	63002021200	GRIPP SET DUAL COMPOUND	1
6	75002091000	THROTTLE CABLE 07	1
7	58412040050	SUPPORT FOR MIRROR LC4 '98	2
8	61112040000	REVIEW MIRROR L/S 07	1
9	61112041000	REVIEW MIRROR R/S 07	1
10	60002130000	MASTER CYLINDER MAGURA D=10.5	1
11	60002044000	CLAMP MIRROR WITH CLAMP	1
12	0025060206	HH COLLAR SCREW M6X20 TX30	1
14	0965040123	FLAT HEAD SCREW DIN0965-M 4X12	2
16	50302034000	RUBBER FOR RESERVOIR '98	1
17	50302032000	REP.SET PISTON MAGURA D=10.5	1
18	50302037000	PROTECT.CAP FOR LEVER PERCH'98	1
19	59002035000	SPRING FOR CLUTCH LEVER 03	1
20	60002031000	CLUTCH LEVER LONG CPL. 2003	1
21	50302038000	LEVER SCREW CPL. 125-200 '98	1
23	75032063000	CLUTCH PIPE SM 07	1
24	50302036200	OIL FOR HYD. CLUTCH 75ML	1
25	58411049100	CLUTCH SWITCH 03	1
40	76511070000	LIGHT SWITCH L/S 08	1
41	76511074000	START-EMERGENCY STOP SWITCH 08	1
42	6000207910030	HANDGUARD L/S+R/S CPL.BLACK 04	1

087650211 / C087650211

* NEW PART

X AS REQUIRED

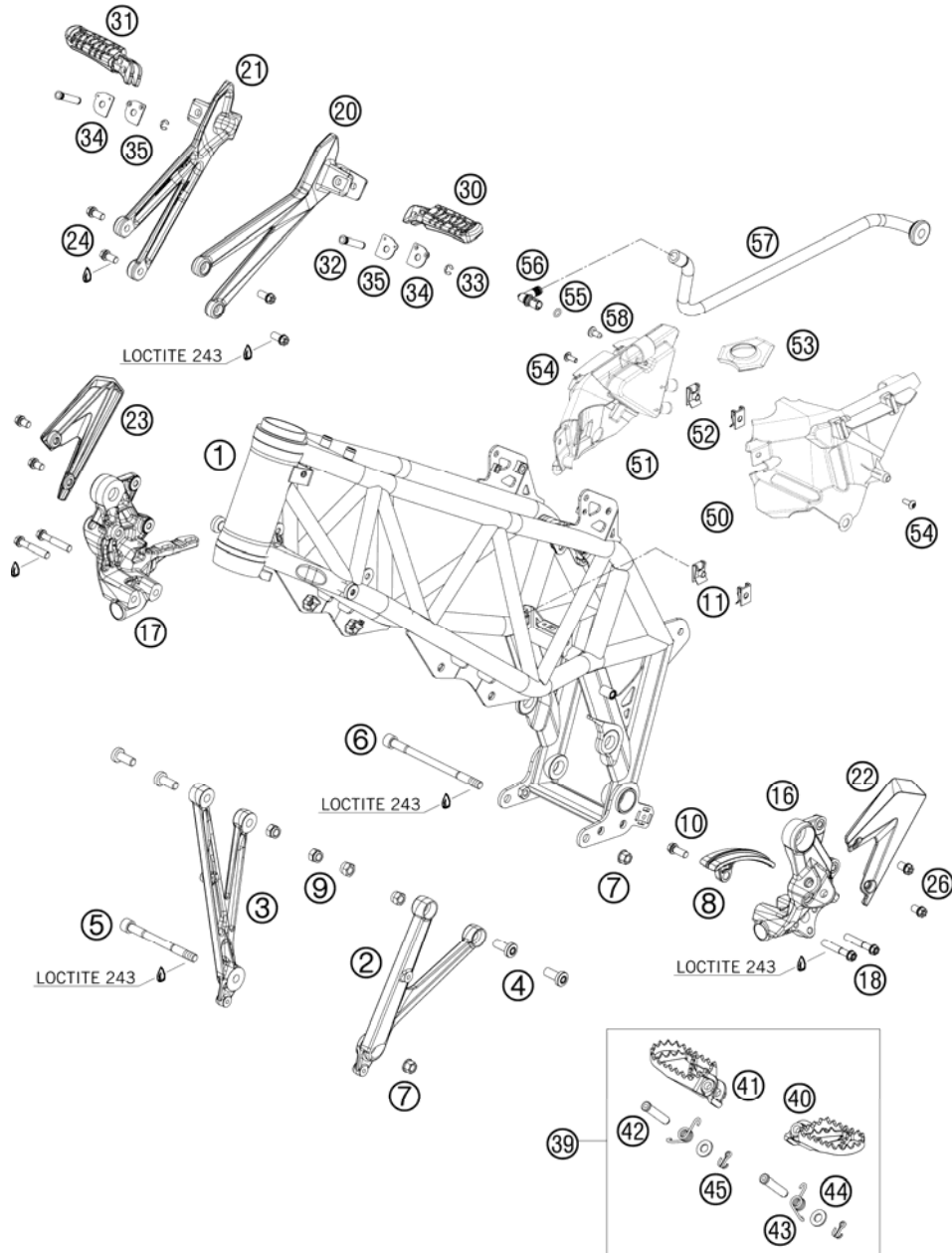


FIG	PART NUMBER	DESCRIPTION	QTY
1	7650300100033	FRAME "EC08" BLACK MATT 08	1
2	7650300500001S	ENGINE SUPPORT LEFT SIDE 08	1
3	7650300600001S	ENGINE SUPPORT RIGHT SIDE 08	1
4	0035100249	AH-COLLAR SCREW M10X24 ISA45	4
5	75003015000	SPECIAL SCREW M10X115 ISK8 07	1
6	75003014000	SCREW	1
7	54630044000	COLLAR NUT M10 WS=13	2
8	76504067000	CHAIN SLID. GUARD 08	1
9	54310086100	SELF LOCKING NUT M10 CU WS=14	4
10	0025080206	HH COLLAR SCREW M8X20 TX40	1
11	54603048500	RANGE CHANGE METAL NUT M4	1
16	7650303804401S	FOOTREST BRACKET L/S 08	1
17	7650303904401S	FOOTREST BRACKE R/S 08	1
18	0025080456	HH COLLAR SCREW M8X45 TX40	4
20	7650304800001S	FOOT REST BRACKET REAR L/S	1
21	7650304900001S	FOOT REST BRACKET REAR R/S	1
22	76503038150	HEEL PROTECTOR LS 09	1
23	76503039050	HEEL PROTECTOR RS 08	1
24	0025080166	HH COLLAR SCREW M8X16 TX40	4
26	0025080126	HH COLLAR SCREW M8X12 TX40	4
30	60003050000	FOOTREST CPL. L/S REAR 03	1
31	60003051000	FOOTREST CPL. R/S REAR 03	1
32	60003044000	BOLT FOR FOOTREST REAR 03	2
33	0799060003	TAB WASHER DIN6799-RS 6,0	2
34	60003052000	ENGAGE PANEL FOOTREST R/S 03	2
35	60003152000	ENGAGE PANEL FOOTREST L/S 03	2
39	76503040033	FOOTREST L/S+R/S CPL. 08	1
40	59003040250	FOOT PEG L/S SILVER 02	1
41	59003041250	FOOT PEG R/S SILVER 02	1
42	76503044000	BOLT FOR FOOT PED 08	2
43	54603041000	FOOTREST SPRING L/S & R/S	2
44	0125100003	WASHER DIN0125-A10,5	2
45	0094032253	PIN DIN0094-3,2X25 STEEL	2
50*	76503083100	COVER FRAME L/S	1
51*	76503084100	COVER FRAME R/S	1

107650310 / C107650310

* NEW PART

X AS REQUIRED

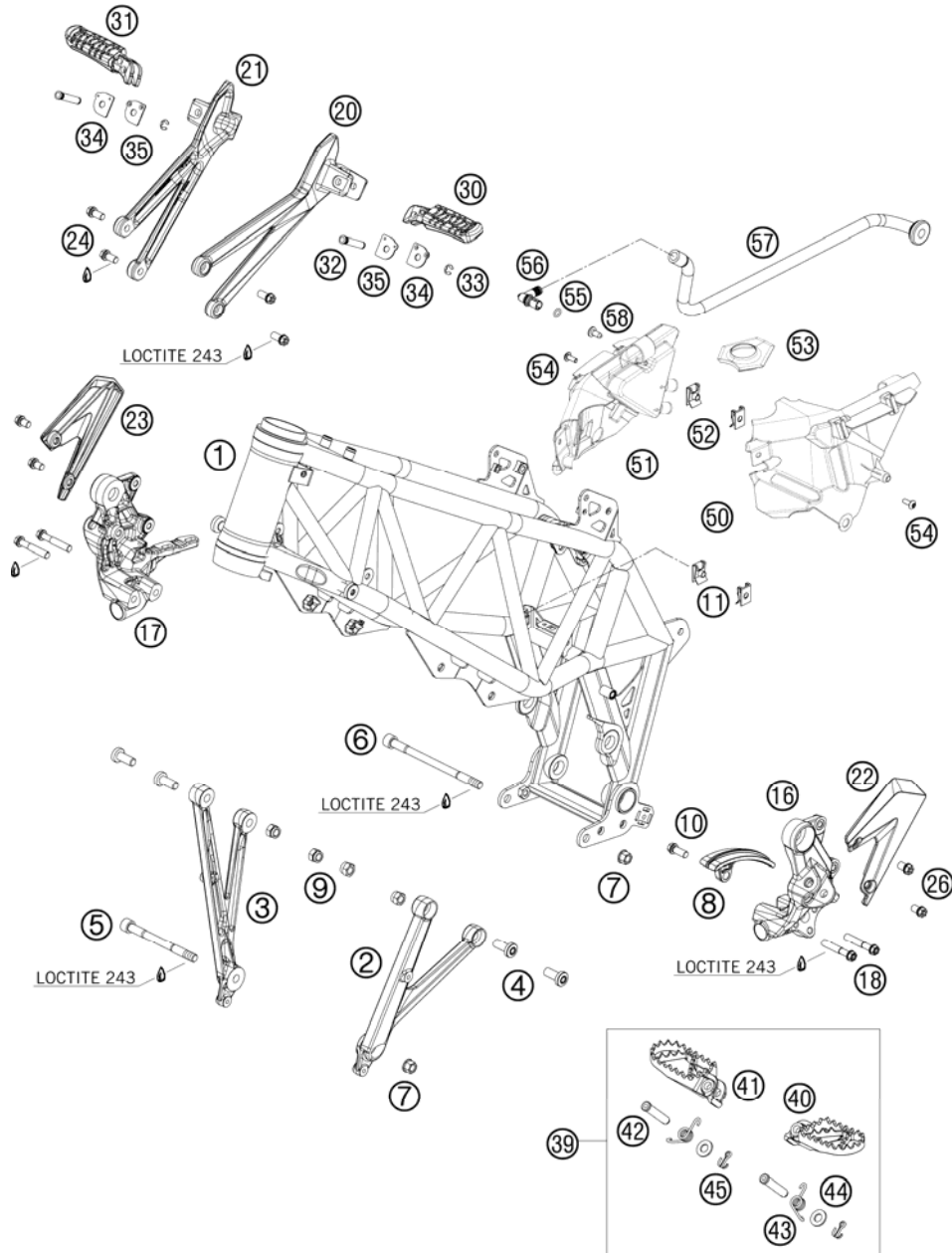


FIG	PART NUMBER	DESCRIPTION	QTY
52	69008021080	RANGE CHANGE METAL NUT M5	2
53*	76503085000	COVER FOR IGNITION LOCK	1
54	58605083014	SCREW M5X14 TORX 25	2
55	0770080020	O-RING 8X2 SILICONE	1
56	60038082000	ANGLE CONNECTOR LC8	03
57	76530087000	VENTILATION OIL SEPARATOR FOAM	1
58	0081050181	SCREW FOR PLASTIC K50X18 T20	2

107650310 / C107650310

* NEW PART

X AS REQUIRED

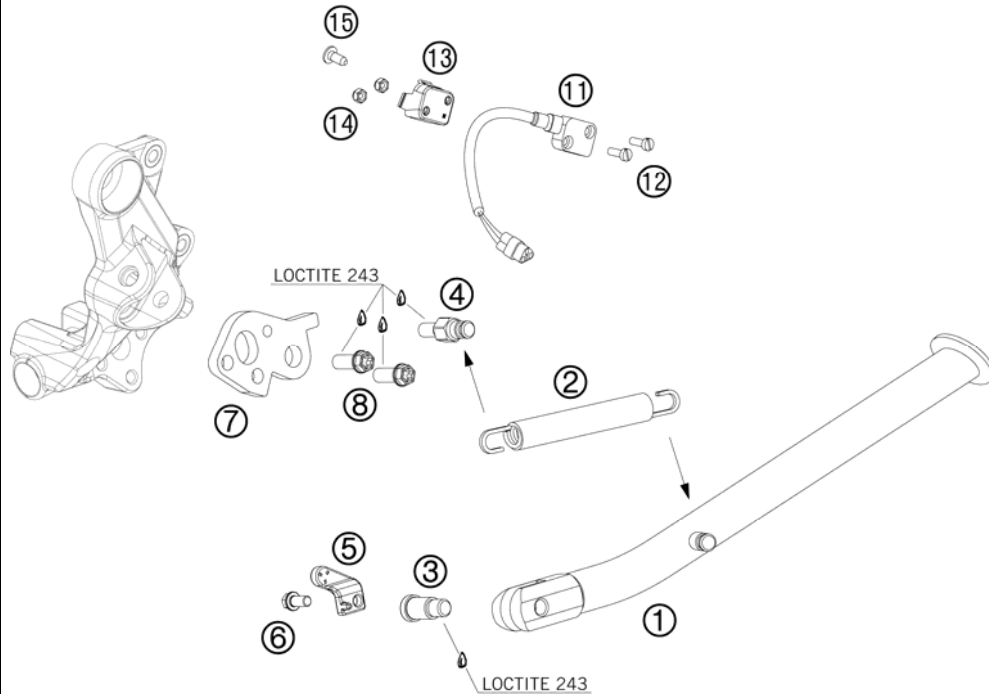


FIG	PART NUMBER	DESCRIPTION	QTY
1	7650302300033	SIDE STAND L=275MM SMC 08	1
2	61003024000	SPRING L=116 MM 05	1
3*	62503027200	SCREW FOR SIDE STAND M10X31,2	1
4	76503028001	SPECIAL SCR. SIDE STAND SPRING	1
5	76503029000	MAGNET HOLDER	1
6	0025060126	HH COLLAR SCREW M6X12 TX30	1
7	76503026000	SIDE STAND BRACKET 08	1
8	0025080206	HH COLLAR SCREW M8X20 TX40	2
11	61011045000	SIDE STAND SENSOR 05	1
12	0084040123	CYL.HEAD SCREW DIN84A M4x12	2
13	76511045050	HOLDER FOR SIDESTAND SWITCH 08	1
14	0985040003	SELF LOCKING NUT DIN0985-M 4	2
15	0081050121	SCREW FOR PLASTIC K50X12 T20	1

087650360 / C107650360

* NEW PART

X AS REQUIRED

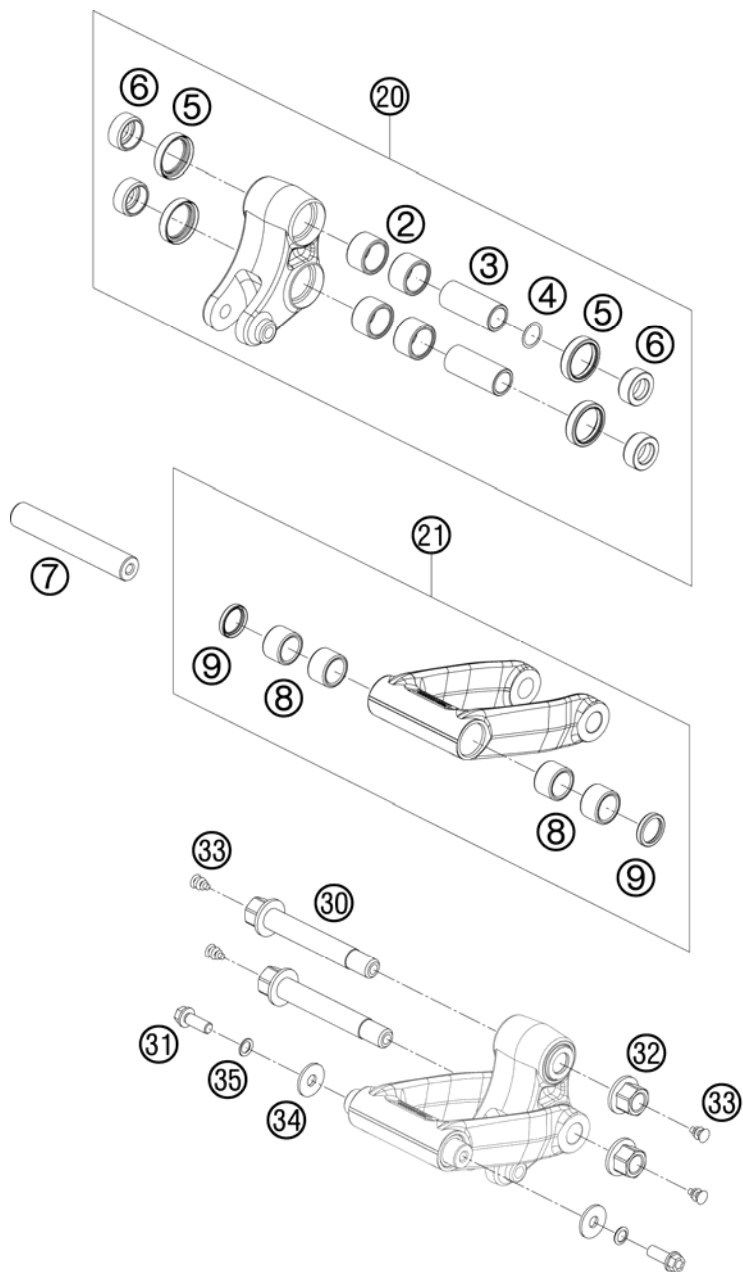


FIG	PART NUMBER	DESCRIPTION	QTY
2	54603097000	NEEDLE BUSH HK 2016	4
3	54603081000	BUSHING SLEEVE 15 X 20 X 48	2
4	54603090010	STEEL WASHER 15,2X19X0,1	x
4	54603090020	STEEL WASHER 15,2X19X0,2	x
4	54603090030	STEEL WASHER 15,2X19X0,3	x
5	0760253270	SHAFT SEAL RING 25X32X7	4
6	76504089000	BUCKET FOR SHAFT SEAL RING	4
7	76504084000	PULL ROD ANCHOR BOLT	1
8	56503195100	NEEDLE BEARING HK 1816	4
9	0760182442	SHAFT SEAL RING 18X24X4	2
20	7650408104401	CANTILEVER CPL. 07	1
21	7650408304401	PULL ROD CPL. 08	1
30	76504082044	BOLT CPL. M14X1,5	2
31	0025080166S	HH COLLAR SCREW M8X16 TX40	2
32	54603015000	SELF LOCKING NUT M14X1,5 WS=19	2
33	54403135000	PLASTIC CAP SFL10	4
34	0021080003	WASHER DIN9021-A 8,4	2
35	36003014000	LOCK WASHER 8MM	2

087650460 / C087650460

* NEW PART

X AS REQUIRED

SHOCK ABSORBER

690 SMC EU 2010

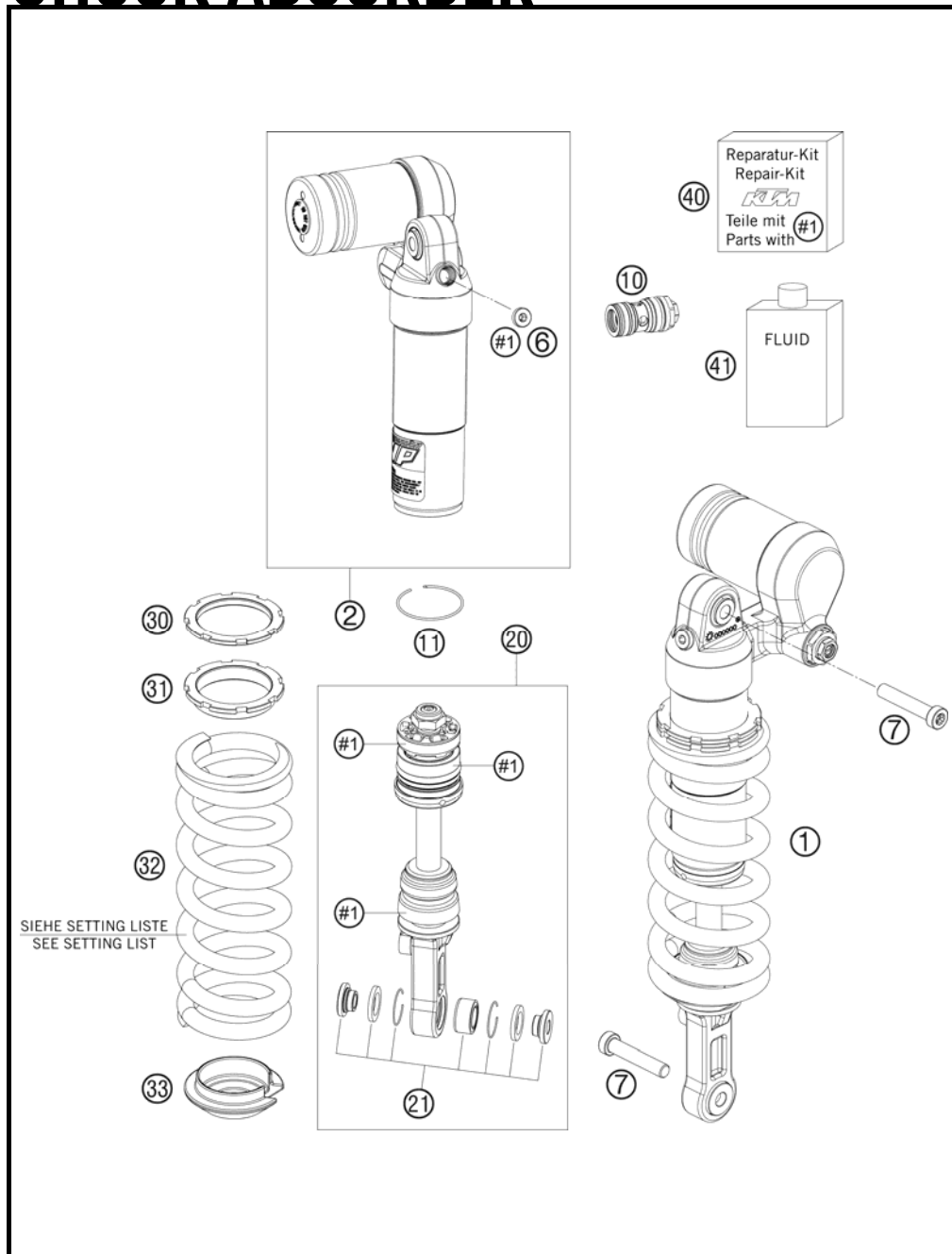


FIG	PART NUMBER	DESCRIPTION	QTY
1	15187E12	MONOSHOCK 690 SMC 09	1
2	46180776S1	SHOCK ABS. UPPER CPL. 09	1
6	50180095	BLEED PLUG R 1/8	1
7	76504016000	CYL. SCREW M10X1,25 L=53	2
10	46180533S1	DCC-COMPR.DAMP.CONTROL HS95	1
11	46810010	CIRCLIP 49X1,5	1
20	46180654S1	SHOCK ABS BOTTOM CPL. ENDURO	1
21	R15006	REPAIR KIT BEARINGS 07	1
30	46180766	COUNTERNUT	1
31	46180855	ADJUSTING NUT	1
32	91110003S	SPRING 220MM 75N/MM (61)	x
32	91110004S	SPRING 220MM 80N/MM (61)	x
32	91110005S	SPRING 220MM 85N/MM (61)	x
33	46180396	SPRING RETAINER H=15 D=28	1
40	R15004	REPAIR KIT GASKET 05	1
41	50180342S1	SHOCK ABSORBER FLUID 5 LT '03	1

097650410 / C107650412

* NEW PART

X AS REQUIRED



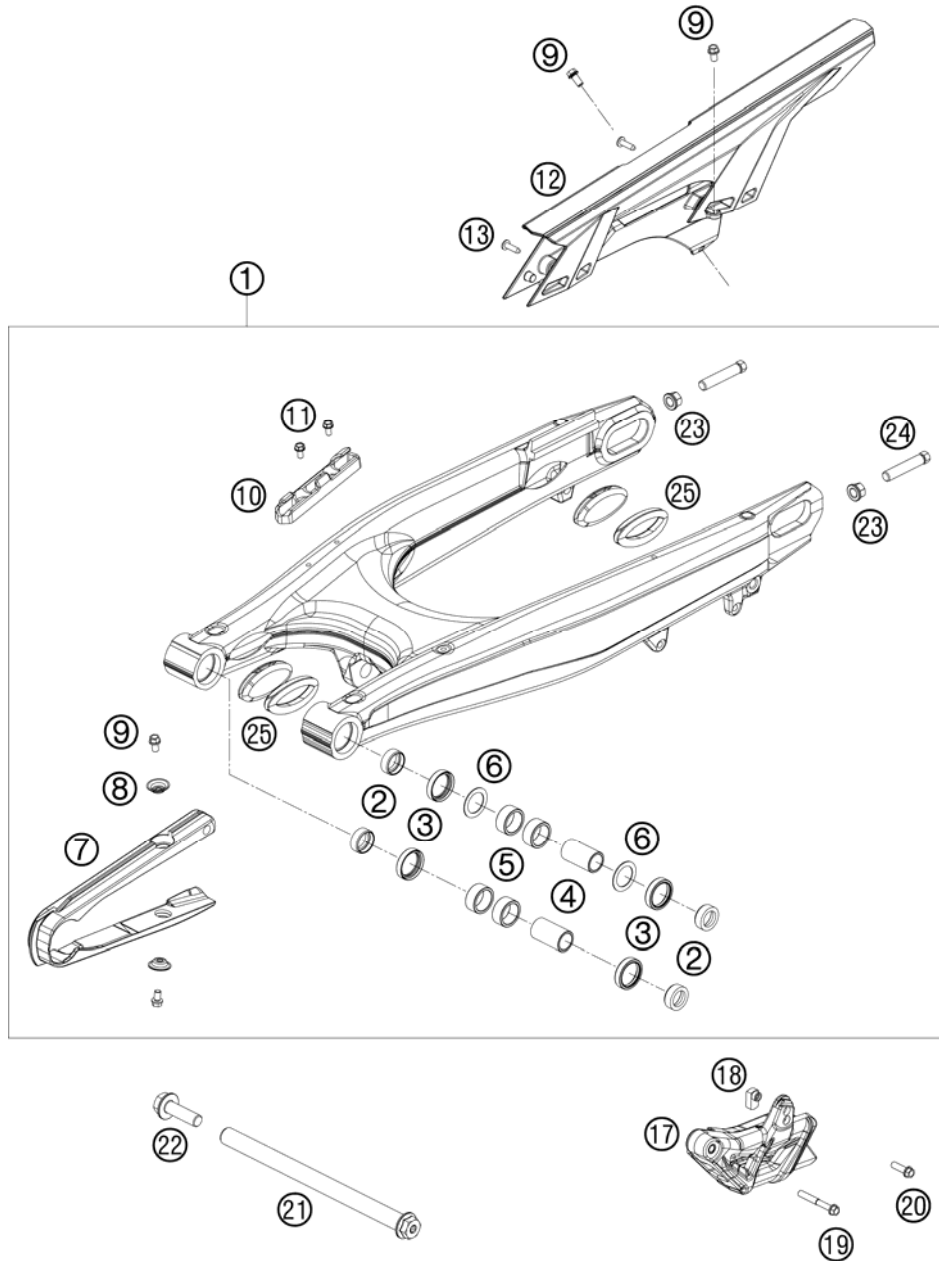


FIG	PART NUMBER	DESCRIPTION	QTY
1	76504030144	SWING ARM CPL.	1
2	76504034000	BUCKET FOR SHAFT SEAL RING	4
3	0760253270	SHAFT SEAL RING 25X32X7	4
4	59404032000	BEARING SLEEVE 17X22X38,7 03	2
5	59004031200	NEEDLE BUSH HK2212V	4
6	54603036000	STOP DISK 22,2X31,7X1	2
7	76504066000	CHAIN SLIDING GUARD 07	1
8	77304066050	BUSHING F. CHAIN SLIDING PR.07	2
9	59009062013	SPECIAL SCREW M6X13 WS=8 10.9	4
10	76504042000	BRAKE LINE GUIDE 08	1
11	0009050103	SPECIAL SCREW M 5,0X10	2
12	76504060000	CHAIN GUARD 08	1
13	0081500181	SCREW FOR PLASTIC D=5X18	2
17	78004070100	CHAIN GUIDE CPL.	1
18	77304070030	INSERTION NUT F. CHAIN GUIDE	1
19	0025060456	HH COLLAR SCREW M6X45 TX30	1
20	0025060206	HH COLLAR SCREW M6X20 TX30	1
21	75304037044	SWINGARM BOLT L=246 M12X1,5	1
22	76504038000	SPECIAL SCREW M12X40 SW19	2
23	58414030000	HH COLLAR NUT M10X1,25 WS=13	2
24	50304040100	SCREW M10X1,25X50 WS=10	2
25	58404041000	CLOSING COVER SWINGARM SM 03	4

087650490 / C107650490

* NEW PART

X AS REQUIRED

EXHAUST SYSTEM

690 SMC EU 2010

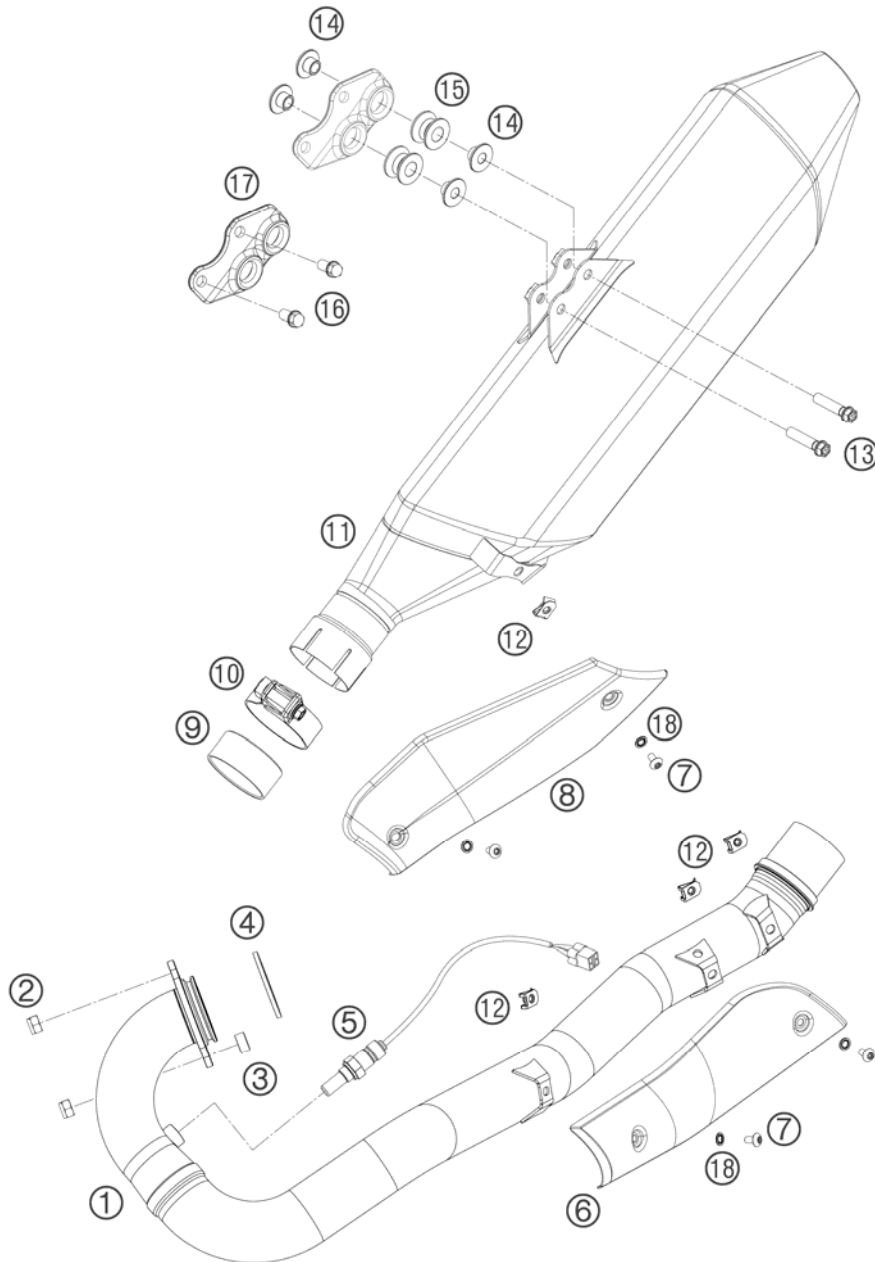


FIG	PART NUMBER	DESCRIPTION	QTY
1	76505107000	EXHAUST MANIFOLD SMC	08 1
2	51010086100	SELF LOCKING NUT M 8 CU	2
3	61005009000	SPACER BUSH. 8,5X15X7,5	05 1
4	61005005000	EXHAUST GASKET	05 1
5	75041090000	LAMBDA SENSOR	07 1
6	76505090010	HEAT SHIELD EXHAUST MANIFOLD	1
7	58605083010	SCREW TORX M5X10	05 4
8	76505090020	HEAT SHIELD SILENCER	1
9	58605005000	GRAPHIT RING 55X50X25	05 1
10	76505051000	CLAMP FOR SILENCER 57,4MM	08 1
11	76505183000	SILENCER SMC	08 1
12	69008021080	RANGE CHANGE METAL NUT M5	4
13	0025080356	HH COLLAR SCREW M8X35 TX40	2
14	58405050065	COLLAR BUSH 8,5X12X23,5X10	4
15	54305068100	DAMP. COMPONENT SILICONE GREY	2
16	49109481052	HH COLLAR SCREW M 8X16 WS=13	2
17	76505084000	HOLDER SILENCER	1
18	0797050000	TOOTH LOCK WASHER DIN6797-J	4

087650512 / C087650512

* NEW PART

X AS REQUIRED

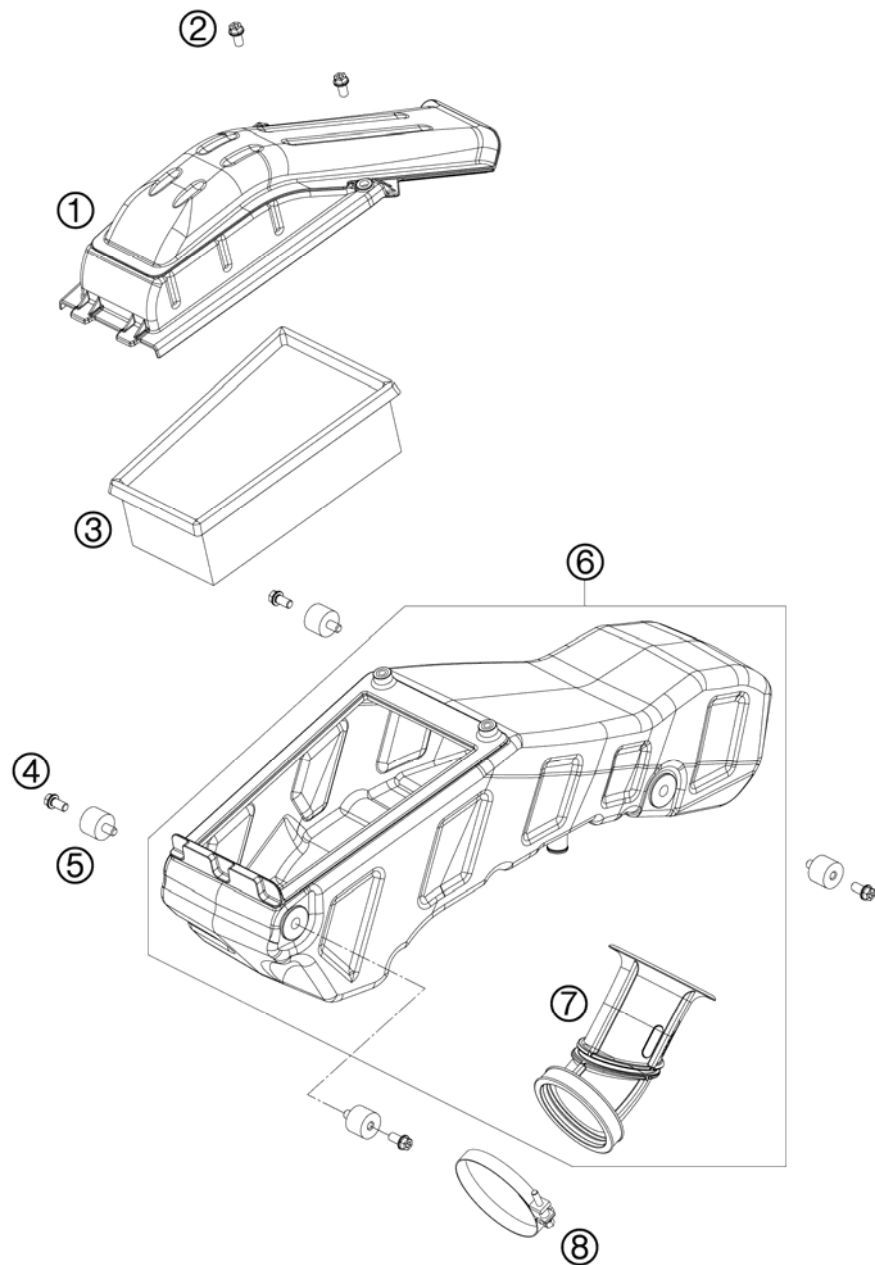


FIG	PART NUMBER	DESCRIPTION	QTY
1	76506002000	FILTER BOX-TOP PART 08	1
2	0025060126	HH COLLAR SCREW M6X12 TX30	2
3	76506015000	AIRFILTER PAPER 200X120	1
4	0025060086	HH COLLAR SCREW M6X8 TX30	4
5	43205062100	RUBBER GROMMET 20X15-M6X10 (1)	4
6	76506003044	FILTER BOX WITH INTAKE FLANGE	1
7	76506026000	INTAKE FLANGE 08	1
8	51006027000	HOSE CLAMP 50-70MM	1

087650610 / C107650610

* NEW PART

X AS REQUIRED

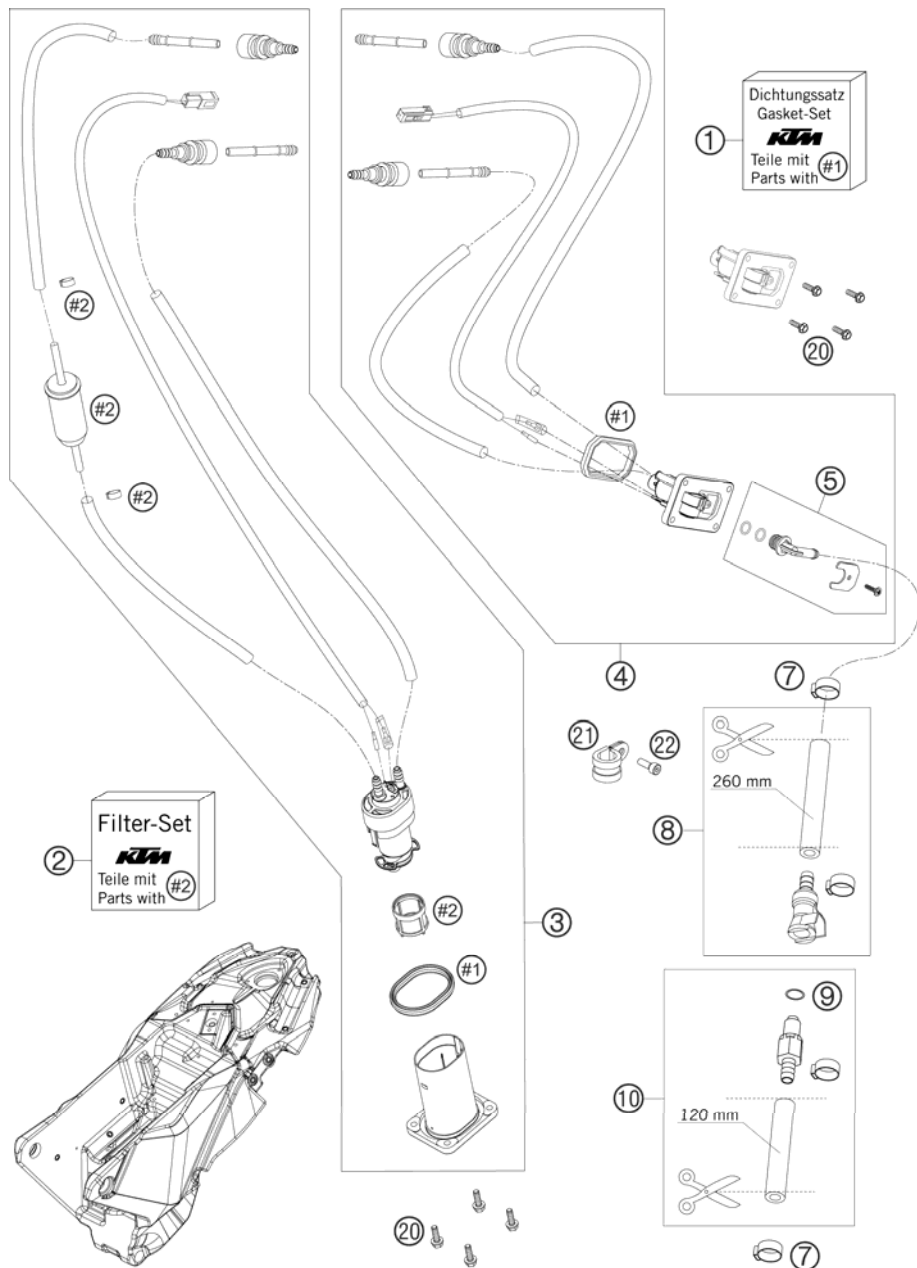


FIG	PART NUMBER	DESCRIPTION	QTY
1	75007089000	SEALINGS KIT	1
2	75007090000	FILTER KIT	1
3	75007088011	FUEL PUMP WITH FLANGE CPL.	1
4	75007088012	PRESSURE REGULATOR CPL. 07	1
5	75007092000	HYDRAULIC CONNECTOR CPL.	1
7	00050153706	VARIABLE ONE-EAR CLAMP 15,3MM	2
8	75007116060	FUEL HOSE WITH CLUTCH	1
9	58507012000	O-RING VITON F. PLUG CPC 05	1
10	75007016050	FUEL HOSE WITH CLUTCH	1
20	0025050166	HH COLLAR SCREW M5X16 TX30	8
21	49007439000	CLAMP RSGU 15/12	1
22	0912040123	AH SCREW DIN0912-M 4X12	1

087650730 / C087650730

* NEW PART

X AS REQUIRED

TANK, SEAT, COVER

690 SMC EU 2010

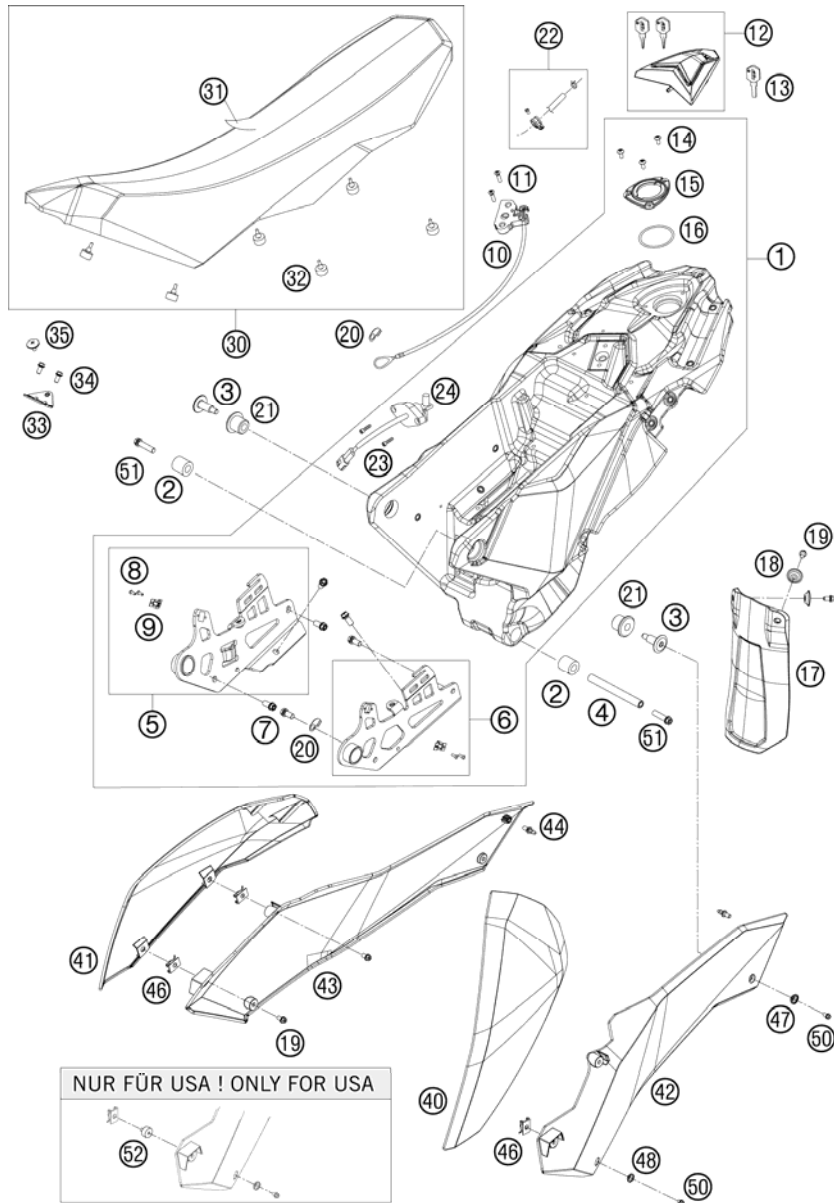


FIG	PART NUMBER	DESCRIPTION	QTY
1	7650701304433A	FUEL TANK BLACK MATT	1
2	76507065000	RUBBER BEAR. BOX 12X24 L=24,5	2
3	76507060000	BEARING BUSHING UP	2
4	76507061000	BEARING BUSHING DOWN	1
5	76507028000	TANK-RETAINING PLATE R/S 08	1
6	76507027000	TANK-RETAINING PLATE L/S 08	1
7	0025080166	HH COLLAR SCREW M8X16 TX40	6
8	54806108052	BLIND RIVET 3,3X9,7 GROOVED 04	4
9	54806008050	QUICK RELEASE-SPRING HANGER	2
10	76507050000	SEAT LOCK	1
11	0738060181	COU.SUNK SCR. AH ISO7380 M6X18	2
12	76507008000	TANK PLUG 08	1
13	40011166100	KEY BLANK LC4/DUKE/LC8	x
13	40011166150	KEY MILLED	x
14	58605083012	SCREW M5X12 TORX 25 05	3
15	76507008050	CLOSURE FLANGE	1
16	0770050030	O-RING 50,00X3,00 VITON	1
17	76506010000	SPLASHBACK 08	1
18	72210079000	BUCKET	2
19	0025060106	HH COLLAR SCREW M6X10 TX30	6
20	76507053000	CLAMP F. CABLE SEAT LOCK	1
21	76507066000	RUBB.BEAR.BOX 12x24x35 L=24,5	2
22	76507031044	TANK BREAT. - MODIFICATION KIT	1
23	0912050163	AH SCREW DIN0912-M 5X16	2
24	58207080100	GAS-LEVEL SENSOR ADV. 2006	1
30	76507040000	SEAT 08	1
31	76507040050	SEAT COVER 08	1
32	75007046010	SEAT RUBBER 10 MM	6
33	76507048000	BRACKET F. SEAT	1
34	0023060123	COLLAR SCREW M6X12 TX	2
35	58407011100	SCREW FOR SEAT M6X11,5/8	1
40*	7650805000030	SPOILER LEFT BLACK	1
41*	7650805100030	SPOILER RIGHT BLACK	1
42*	7650804100028	SIDE COVER L/S WHITE 09	1
43*	7650804200028	SIDE COVER R/S WHITE 09	1

097650710 / C107650713

* NEW PART

X AS REQUIRED

TANK, SEAT, COVER

690 SMC EU 2010

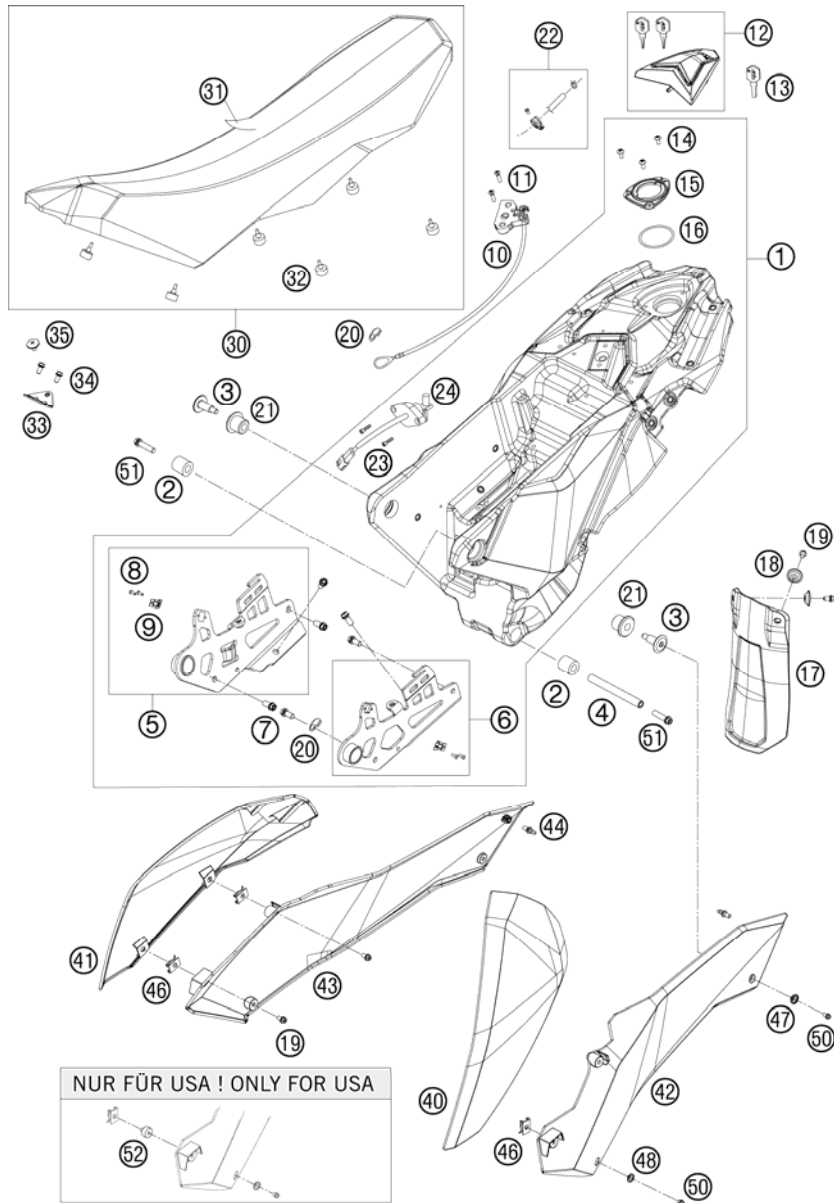


FIG	PART NUMBER	DESCRIPTION	QTY
44	54806008051	QUICK RELEASE-NIPPLE 03	2
46	54603048100	RANGE CHANGE METAL NUT M6	4
47	76508043150	COLLAR BUSHING	2
48	76508043050	COLLAR BUSHING	2
50	0025060126	HH COLLAR SCREW M6X12 TX30	4
51	0025080306	HH COLLAR SCREW M8X30 TX40	2
52	43205062100	RUBBER GROMMET 20X15-M6X10 (1) ONLY FOR USA	2

097650710 / C107650713

* NEW PART

X AS REQUIRED

MASK, FENDERS

690 SMC EU 2010

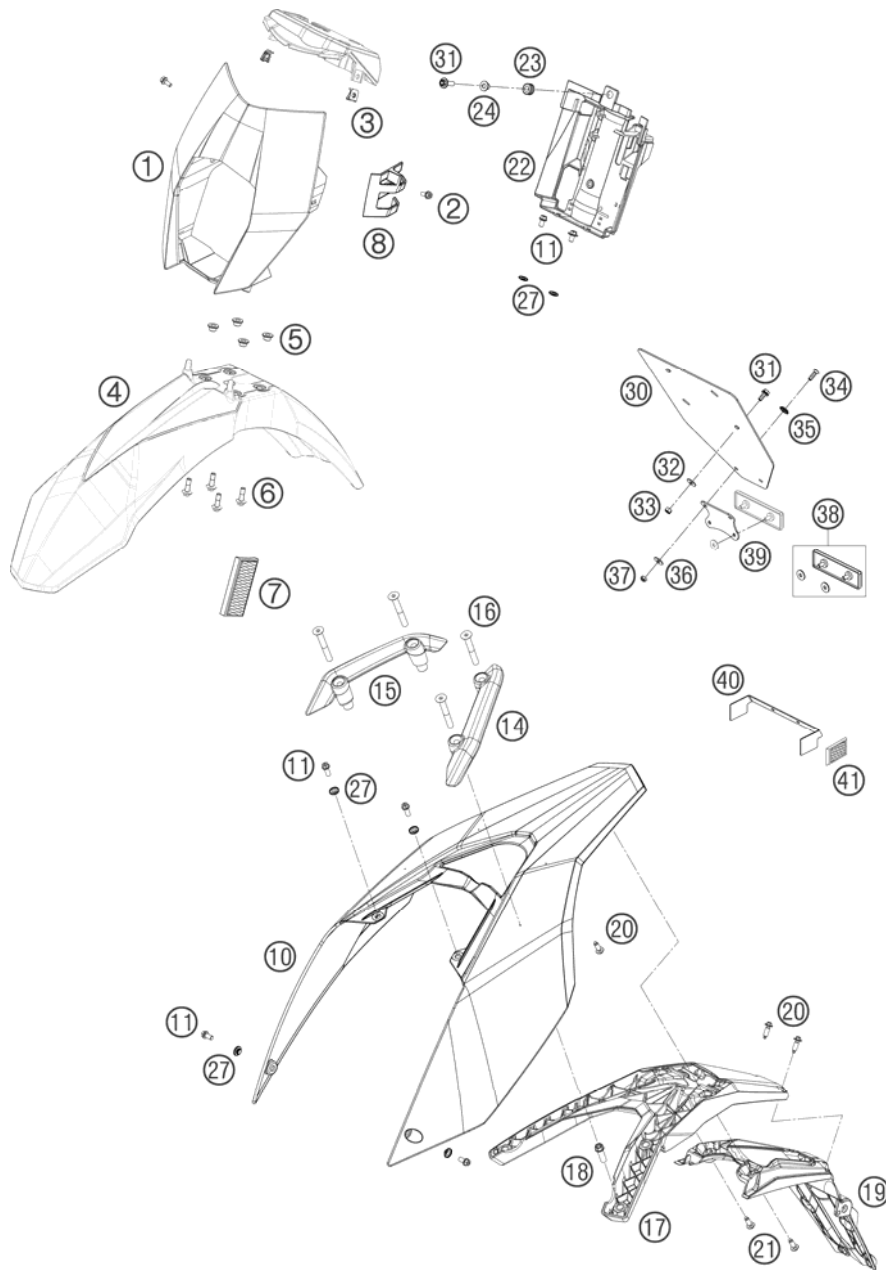


FIG	PART NUMBER	DESCRIPTION	QTY
1*	7650800100030	HEAD LIGHT MASK	1
2	0025050206	HH COLLAR SCREW M5X20 TX30	2
3	54603048200	RANGE CHANGE METAL NUT M5	2
4*	7730821000028	FRONT FENDER WHITE	1
5	54808020000	SPACER BUSHING 03	4
6	0024060206	HH COLLAR SCREW M6X20 TX30	4
7*	58412080100	REFLECTOR YELLOW '99 ONLY FOR USA+AUS/UK	2
8	76513025000	BRAKE HOSE GUIDE	1
10*	7650801300028	REAR PART WHITE	1
11	0025060166	HH COLLAR SCREW M6X16 TX30	6
14	76512008000	HAND GRIP L/S	1
15	76512009000	HAND GRIP R/S	1
16	0019080756	COUNTERSUNK SCREW ISA45 M8X75	4
17	76508016000	NUMBER PLATE CARRIER TOP 08	1
18	0025080256	HH COLLAR SCREW M8X25 TX40	4
19	76508016050	NUMBER PLATE LO. PART 08	1
20	0017060203	EJOT PT SCREW K6X20 WS=6	3
21	0017060303	SPECIAL SCREW T60 6X30 WS=6	2
22	76514064000	COVER 08	1
23	58214069051	RUBBER GROMMET 16X10,8X3 02	1
24	75014010050	COLLAR BUSHING 6,1X8,1X14X8 07	1
27	76508043050	COLLAR BUSHING	6
30	60012081200	LICENCE FITTING 06	1
31	0024060156	HH COLLAR SCREW M6X15 TX30	5
32	0021060003	WASHER DIN9021-A 6,4	4
33	0985060003	SELF LOCK. NUT DIN0985-M 6	4
34	0966050163	OVAL HEAD SCREW DIN0966-M 5X16	2
35	40006006000	WASHER 6MM	2
36	0125050003	WASHER DIN0125-A 5,3	2
37	0985050003	SELF LOCKING NUT DIN0985-M 5	2
38	58412080000	REFLECTOR RED LC4 '98	1
39	58412080050	BRACKET FOR REFLECTOR	1
40	62512081000	BRACKET SIDE REFLECTOR 06 ONLY FOR USA	1

087650812 / C107650812

* NEW PART

X AS REQUIRED

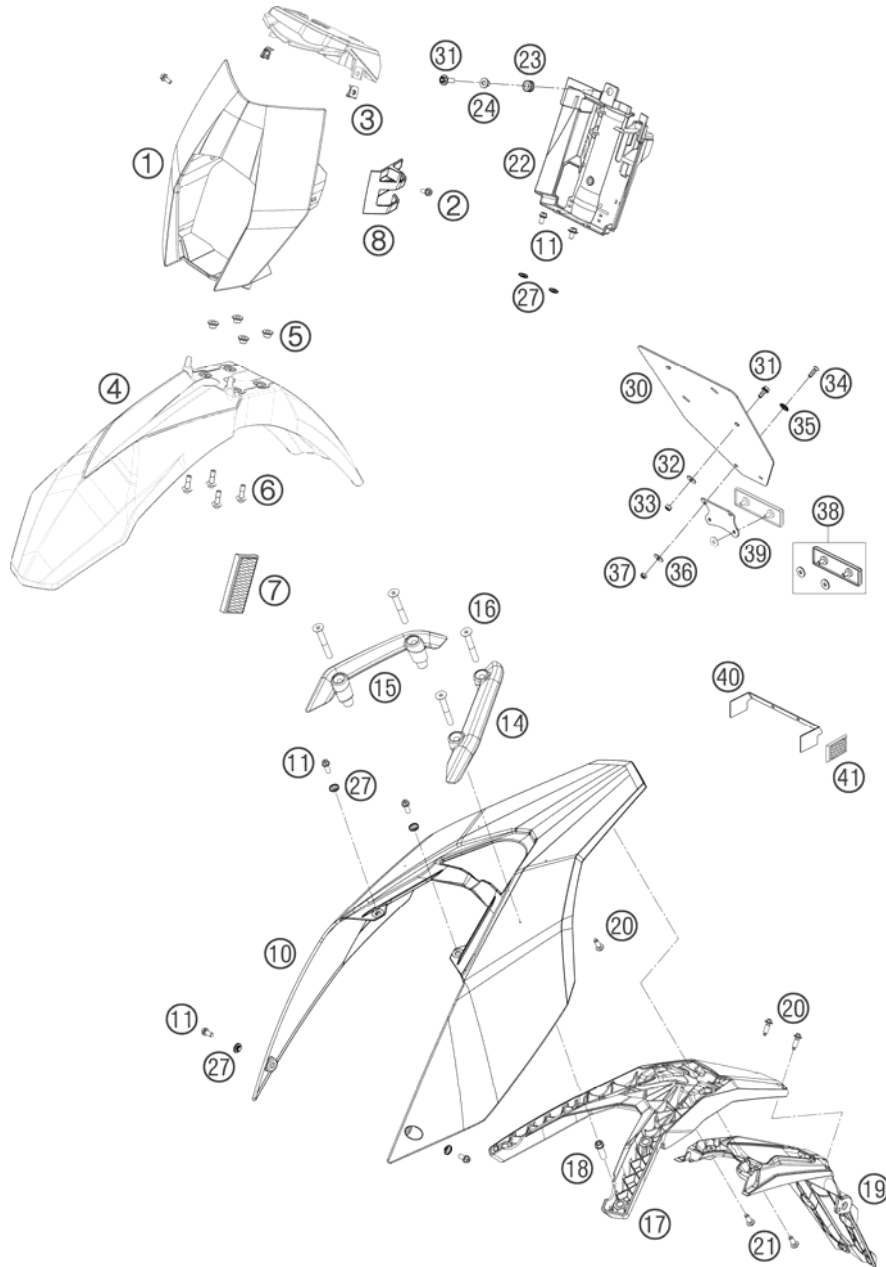


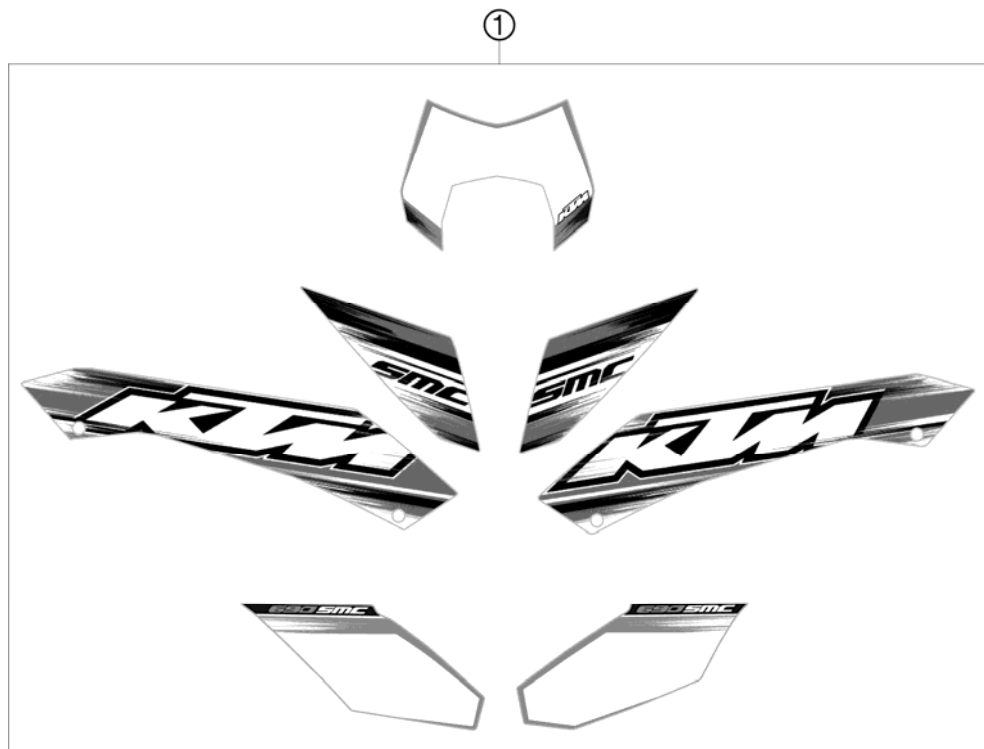
FIG	PART NUMBER	DESCRIPTION	QTY
41	16512180100	SIDE REFLECTOR RED REAR ONLY FOR USA	2

087650812 / C107650812

* NEW PART

X AS REQUIRED

FIG	PART NUMBER	DESCRIPTION	QTY
1*	76508099300	DECAL KIT 690 SMC 2010	1



107650831 / C107650832

* NEW PART

X AS REQUIRED

FRONT WHEEL

690 SMC EU 2010

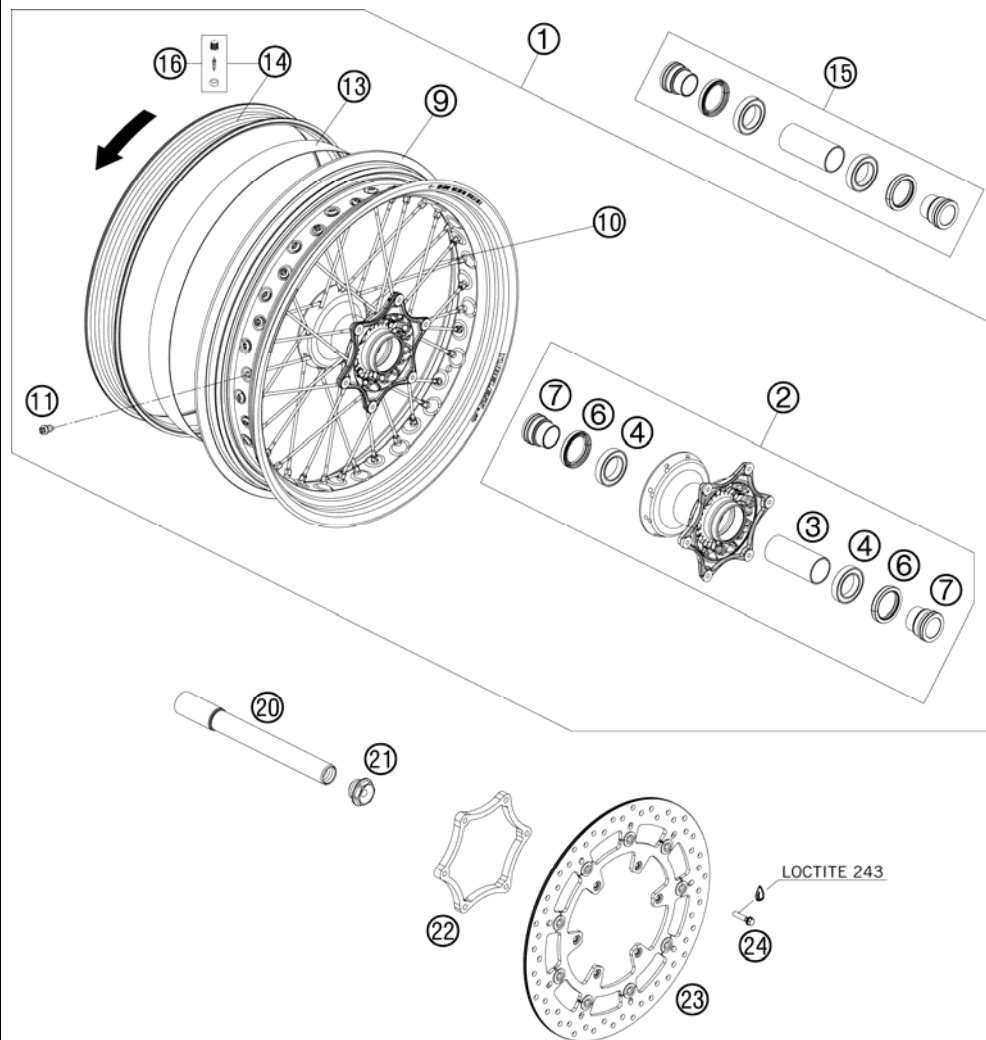


FIG	PART NUMBER	DESCRIPTION	QTY
1*	7500910104430	FR. WHEEL CPL.3,5X17 TUBELESS	1
2	75009010044	FRONT HUB CPL. 07	1
3	54809011000	BEA.SPACERTUBE 35X2 L=79,4 03	1
4	0625069068	GR.BALL BEAR.6906 DDU2CG23S6NM	2
6	0760354771	SHAFT SEAL RING 35X47X7 TC	2
7	75009012000	SPACER BUSHING FRONT WHEEL 07	2
9*	7500917000030	TL RIM 3,5X17"	1
10*	75009073170	SPOKE M4.5X170-9G 17" INOX	36
11*	81210072000	SPOKE NIPPLE QUADRAX M4,5	36
13*	81209073000	RIM TAPE 17"X3,5"	1
14*	75009177044	GASKET RUBBER 17" CPL. W.VALVE	1
15*	75009015000	FRONT WHEEL REP. KIT	1
16*	81210076000	VALVE CPL.	1
20	75009081000	WHEEL SPINDLE FRONT D=26MM 07	1
21	54809082000	SPINDLE SCREW M24X1,5 WS=27 03	1
22	75009061000	BRAKE DISC ADAPTOR 07	1
23	75009060000	BRAKE DISC FRONT 320MM 07	1
24	59009062023	SPECIAL SCREW M6X23 WS=8 10.9	6

107650910 / C107650911

* NEW PART

X AS REQUIRED

REAR WHEEL

690 SMC EU 2010

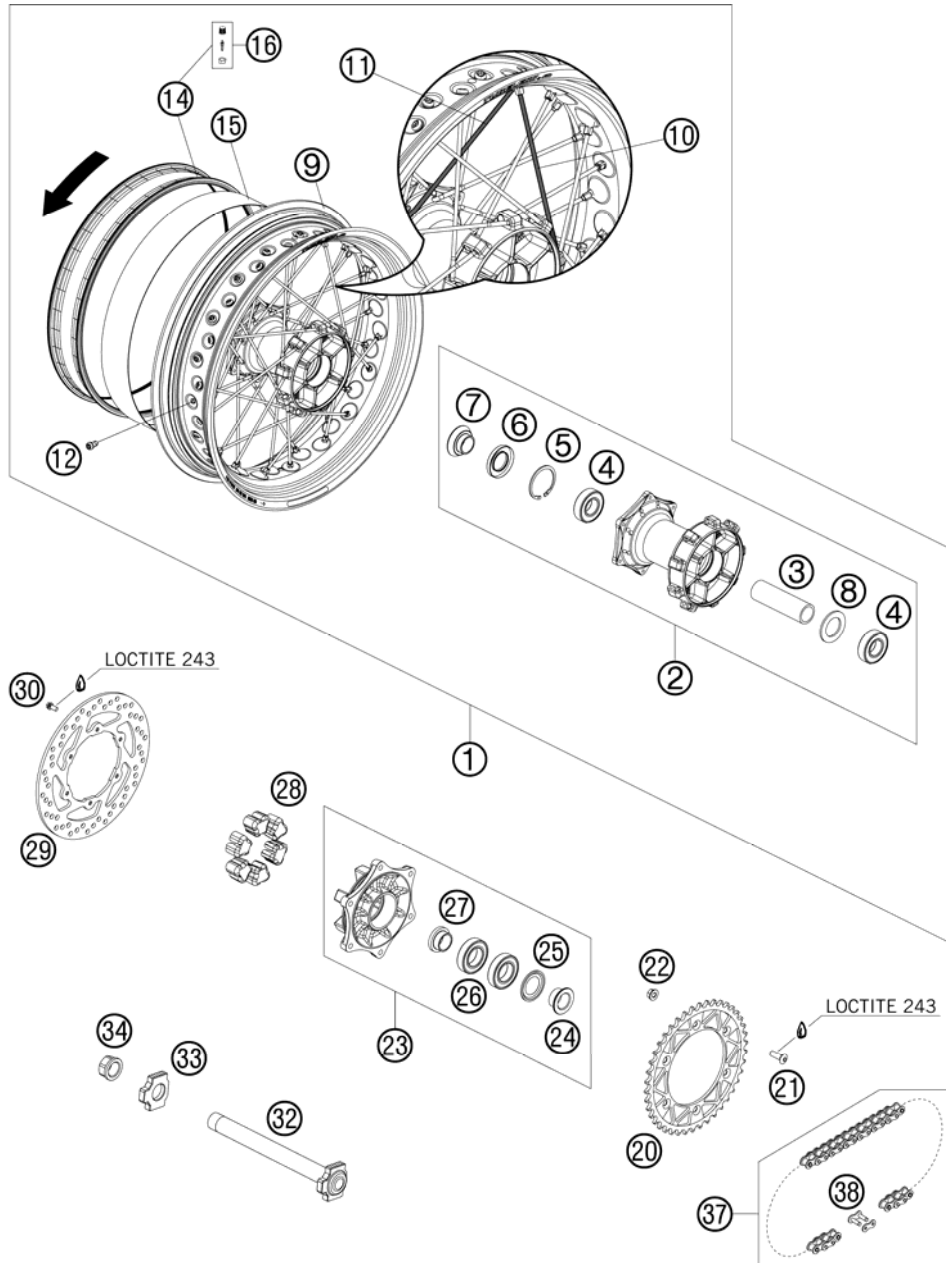


FIG	PART NUMBER	DESCRIPTION	QTY
1*	7501010104430	RE. WHEEL CPL. 5X17" TUBELESS	1
2	75310010044	REAR HUB CPL. 07	1
3	75310011000	BEARING SPACER TUBE L=106MM 07	1
4	0625062052	GR.BALL BEAR. 6205-2RSHC3HMTF7	2
5	0472052200	CIRCLIP DIN0472-52X2	1
6	0760305271	SHAFT SEAL RING 30X52X7	1
7	60110013000	SPACER BUSH. REAR WHEEL R/S 06	1
8	60010015000	SPACER RING 03	1
9*	7501017000030	TL RIM 5X17"	1
10*	75010073196	SPOKE M4,5X196-16G 17" INOX	18
11*	81210171181	SPOKE M4,5X0,75X181	18
12*	81210072000	SPOKE NIPPLE QUADRAX M4,5	36
14*	75010177044	GASKET RUB. 17X5" CPL.W. VALVE	1
15*	81210073000	RIM TAPE 17"X4,50/5,00"	1
16*	81210076000	VALVE CPL.	1
20	75010051040	SPROCKET STEALTH 40T 07	x
20	75010051042	SPROCKET STEALTH 42T 07	x
21	0019080266S	COUNTER-SUNK SCREW ISA45 M8X26	6
22	54310086200	SELF LOCKING NUT M8 10.9	6
23*	7501005004491	SPROCKET SUPPORT CPL. SILVER	1
24	60110012000	SPACER BUSH. SPROCKET SUPP. 06	1
25	60110016000	NILOS RING 6006AV	1
26	0625060060	BALL BEARING 6006 DDU2CG23S6NM	2
27	60110014000	SPACER BUSH. SPR. SUPP. IN. 06	1
28	54610459000	RUBBER DAMPING BLOCK '91	6
29	60010060000	REAR BRAKE DISK D=240MM 03	1
30	59009062013	SPECIAL SCREW M6X13 WS=8 10.9	6
32	75310085144	WHEEL SPINDLE CPL.	1
33	60010084000	CHAIN TENSIONER R/S LC8 03	1
34	60010086000	COLLAR NUT WH. SPINDLE REAR 03	1
37	76510065116	CHAIN X-RING 116 + RIVET LINK	1
38	76510066000	RIVET LINK FOR 76510065116	1

107651011 / C107651011

* NEW PART

X AS REQUIRED

WIRING HARNESS

690 SMC EU 2010

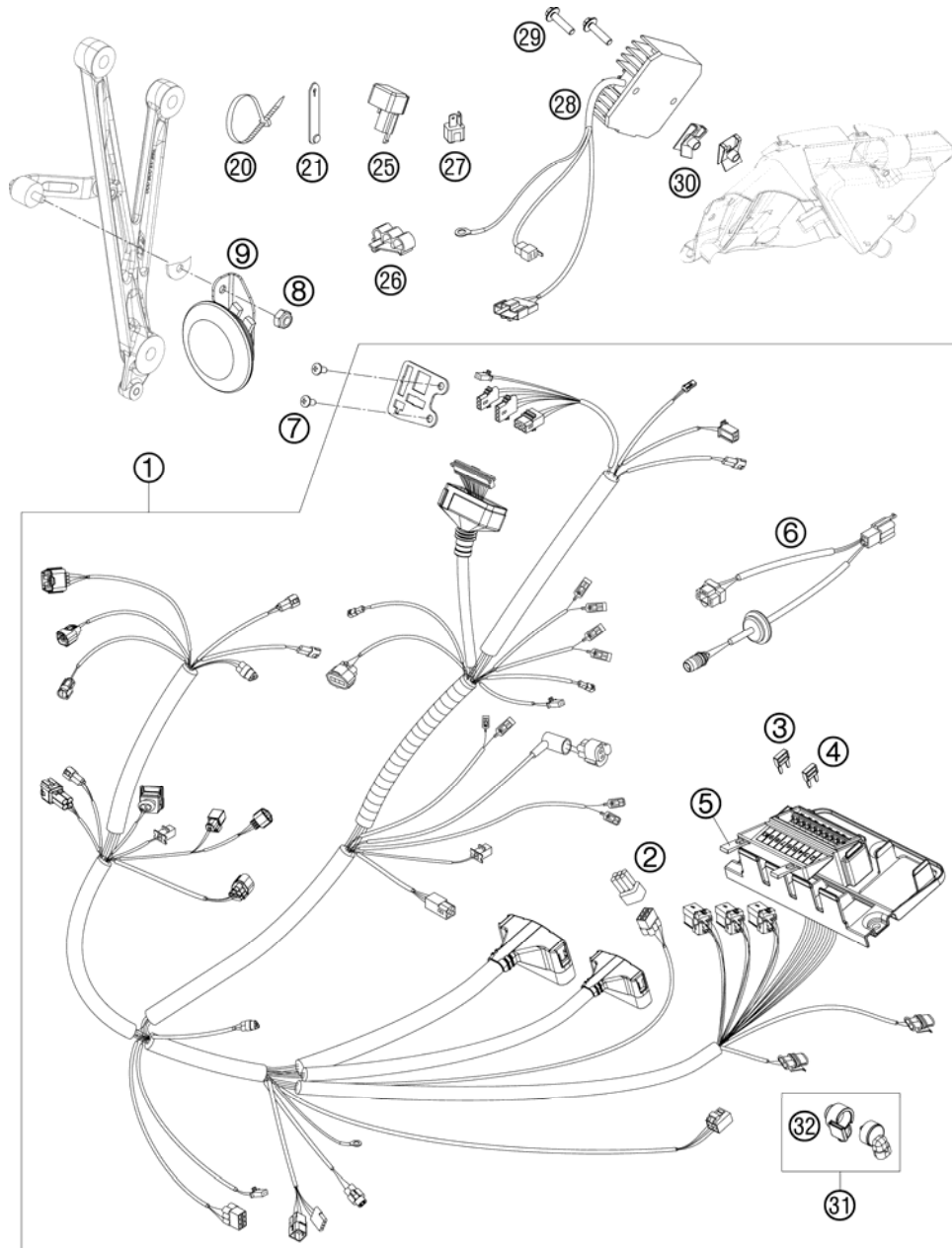


FIG	PART NUMBER	DESCRIPTION	QTY
1	76511075000	MAIN WIRING HARNESS 08	1
2	000700000BH	SPARE CONNECTOR BH 6-PINS	1
3	75011088010	FUSE 10A 07	x
4	75011088015	FUSE 15A 07	x
5	75011087050	RUBBER CASING FOR FUSE BOX	1
6	76511079000	WIRING HARNESS HEAD LIGHT	1
7	0081050121	SCREW FOR PLASTIC K50X12 T20	2
8	0985060003	SELF LOCK. NUT DIN0985-M 6	1
9	76511060000	DC HORN CPL.	1
20	44011076140	CABLE TIE 14072,5MM BLACK	x
20	44011076200	CABLE TIE 200/3,6MM BLACK	x
20	44011076305	CABLE TIE 300/4,8MM BLACK	x
21	60011093045	RUBBER CABLE TIE 45MM 03	x
25	44611207200	FLASHER UNIT 97	1
26	61011093000	WIRING HOLDER 05	1
27	58411096100	DIODE S3H-15 97	3
28	62511034100	VOLTAGE REGULATOR	1
29	0024060256	HH COLLAR SCREW M6X25 TX30	2
30	54603048100	RANGE CHANGE METAL NUT M6	2
31	76511010000	MAP-SELECT-SWITCH	1
32	76511010050	RUBBER HOLDER F. MAP-SEL-SWIT.	1

107651110 / C107651110

* NEW PART

X AS REQUIRED

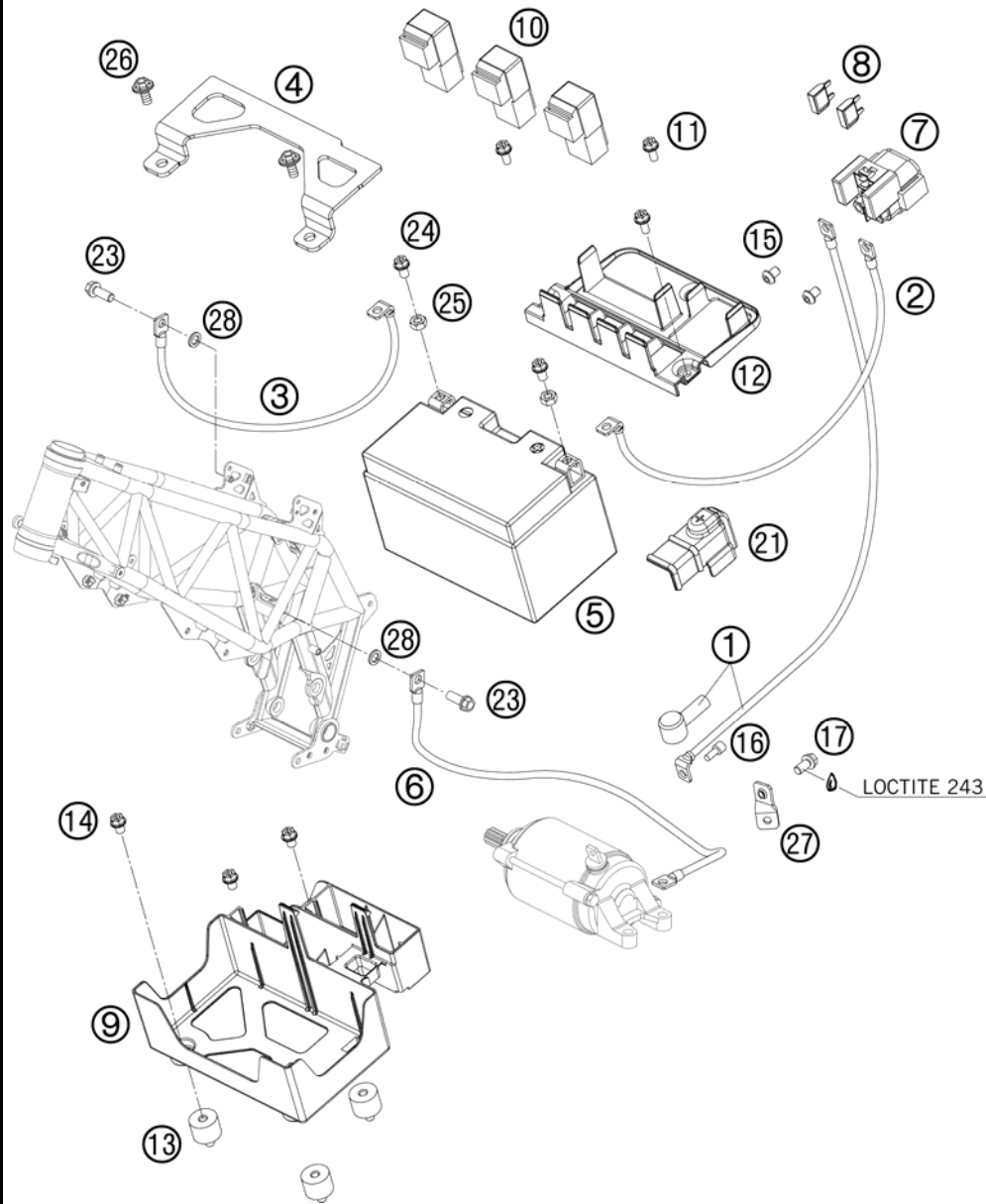


FIG	PART NUMBER	DESCRIPTION	QTY
1	76511059000	STARTER-CABLE L=570MM 08	1
2	75011059150	BATTERY-CABLE L=170MM	1
3	76511097000	GROUND CABLE L=420MM 08	1
4	76511056000	RETAINING PLATE BATTERY 08	1
5	58411053100	BATTERY 12V 8,6AH 03	1
6	58411097100	GROUND CABLE D=6MM L=140MM '97	1
7	58211058000	STARTER RELAY 12V '99	1
8	58011109130	FUSE 30 A	2
9	76511054000	BATTERY BRACKET 08	1
10	61111057000	RELAY CM1A-R-12V-H80 07	3
11	0025050126	HH COLLAR SCREW M5X12 TX30	3
12	76511055000	HOLDER F.ELECTRIC 08	1
13	43205062100	RUBBER GROMMET 20X15-M6X10 (1)	3
14	0024060106	HH COLLAR SCREW M6X10 TX30	3
15	0902060083	AH OVAL SCREW ISO 7380 M 6X8	2
16	0912050083	AH SCREW DIN 912 M 5X8	1
17	0025060086	HH COLLAR SCREW M6X8 TX30	1
21	75011059060	POSITIVE POLE COVER 07	1
23	0025060126	HH COLLAR SCREW M6X12 TX30	2
24	0025060106	HH COLLAR SCREW M6X10 TX30	2
25	0934060003	HEXAGON NUT DIN0934-M 6	2
26	0024060136	HH COLLAR SCREW M6X13 TX30	2
27	76511059061	RETAINING PLATE STARTER CABLE	1
28	58411098100	CONTACT WASHER M6 VSV-K6	2

087651130 / C107651130

* NEW PART

X AS REQUIRED

HAND BRAKE CYLINDER

690 SMC EU 2010

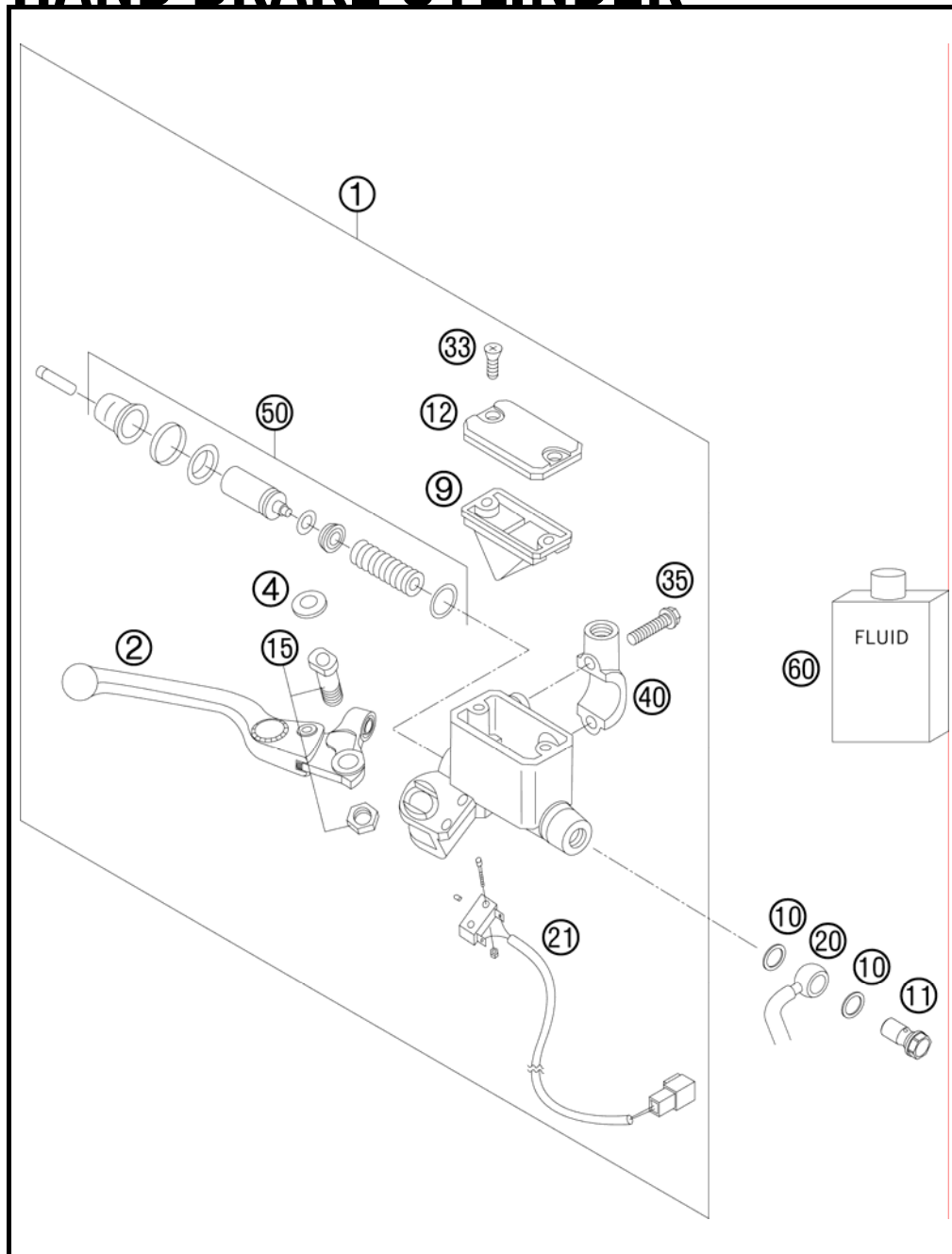


FIG	PART NUMBER	DESCRIPTION	QTY
1	58713001100	HANDBRAKE CYL.DUKE ADJUST.2003	1
2	58713002100	HAND BRAKE LEVER LOOSE ADJ. 03	1
4	58713004000	COVERING CAP FOR LEVER SCREW	1
9	58313009000	RUBBER BOOT DUKE	1
10	0603100141	COPPER GASKET DIN7603-10X14X1	2
11	54813020100	HOLLOW SCREW BLACK M10X1X19	1
12	58313012000	COVER BREMBO DUKE '94	1
15	54413015000	LEVER SCREW CPL.	1
20	76513112000	BRAKE HOSE FRONT 1255MM	1
21	58411050000	BRAKE LIGHT SWITCH FRONT SM 03	1
33	0965050163	FLAT HEAD SCREW DIN0965-M 5X16	2
35	0015060203	HH COLLAR SCREW M 6X20 WS=8	2
40	58012040050	CLAMP MIRROW M10X1,25	1
50	58313050100	REPAIR KIT CPL. D=13MM	1
60	00062030000	BRAKE FLUID DOT5.1 0,25L	1

087651311 / C087651311

* NEW PART

X AS REQUIRED

BRAKE CALIPER FRONT

690 SMC EU 2010

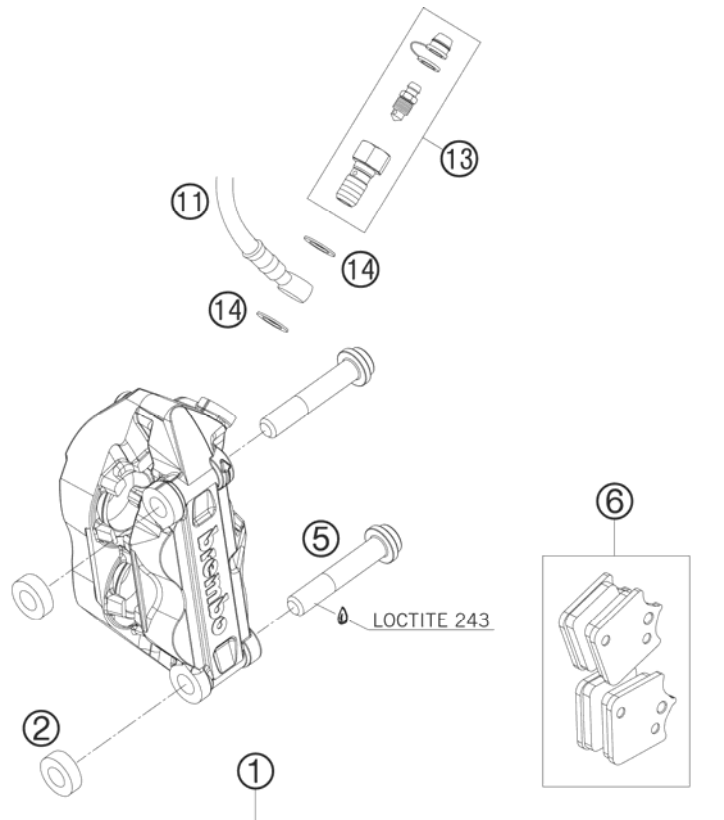
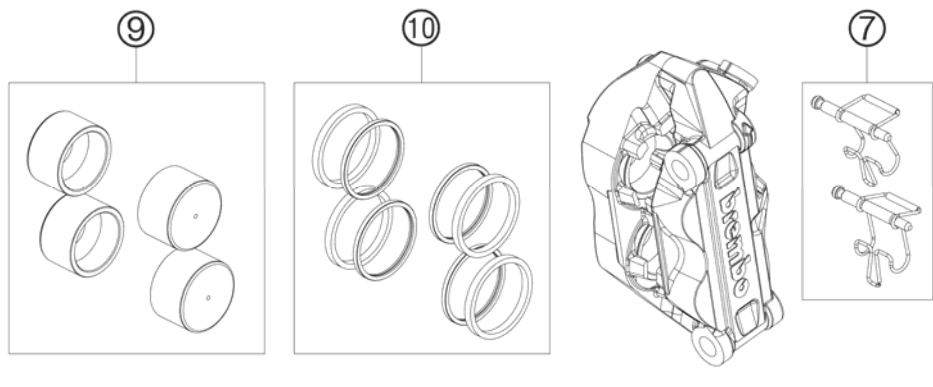


FIG	PART NUMBER	DESCRIPTION	QTY
1	6251301500101	CALIPER L/S NAT. WITHOUT PADS	1
2	6111302200001	SPACER BUSH 10,1X20X7,5 07	2
5	0035100659	AH-COLLAR SCREW M10X1,25X65	2
6	76513030000	BRAKE PAD FR. TOSHIBA TT2182FF	1
7	61013018000	PINS + SPRINGS F. BRAKECALIPER	2
9	61013019000	BRAKE PISTONS 4X	1
10	61013019100	REP.KIT SEALING RINGS 4X	1
11	76513112000	BRAKE HOSE FRONT 1255MM	1
13	62513020000	BLEEDER SCREW CPL. 05	1
14	0603100141	COPPER GASKET DIN7603-10X14X1	2



087651361 / C087651361

* NEW PART

X AS REQUIRED

BRAKE CALIPER REAR

690 SMC EU 2010

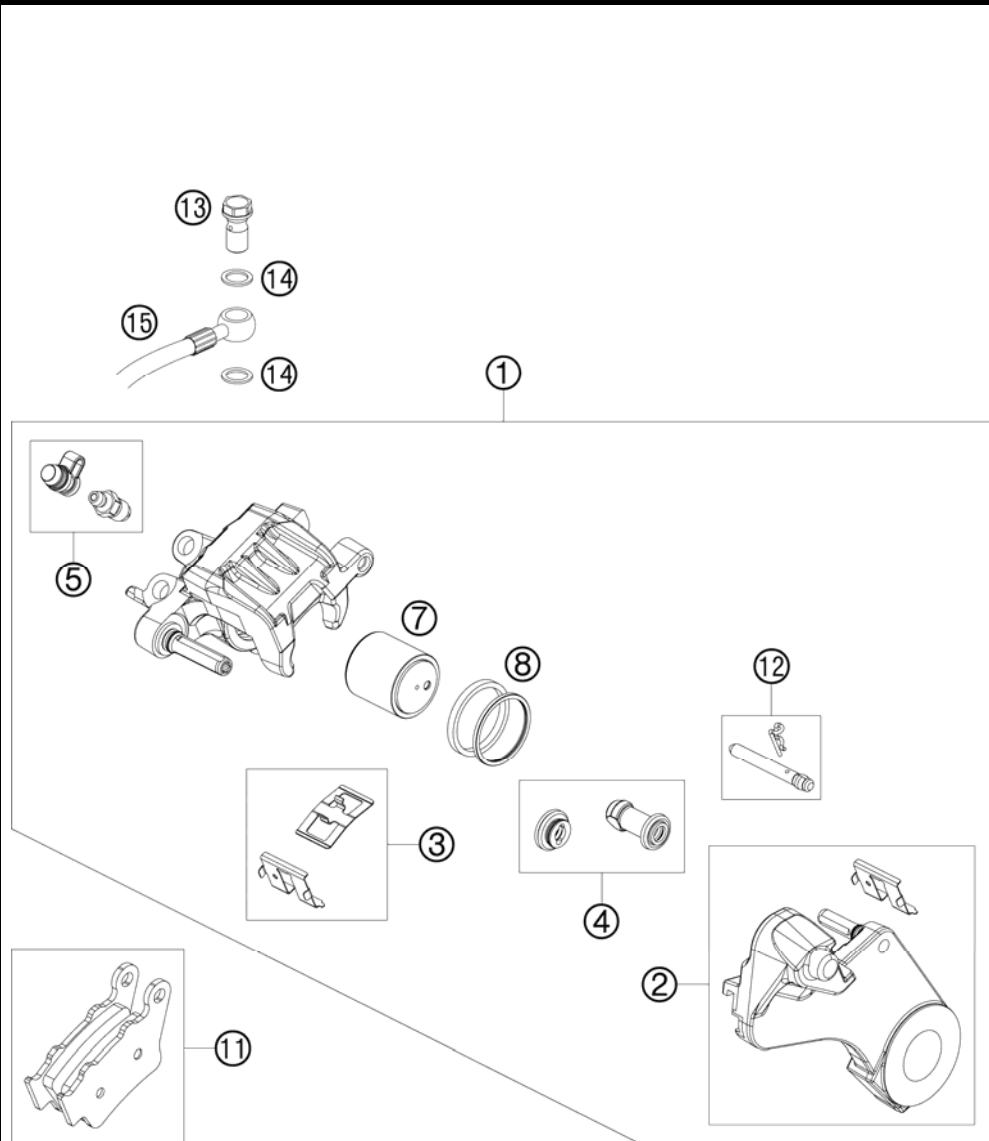


FIG	PART NUMBER	DESCRIPTION	QTY
1	7651308000101	BRAKE CALIPER - WITHOUT PADS	1
2	76513075000	BRAKE CALIPER SUPPORT REAR 08	1
3	54613311200	RETAINING SPRING SET	1
4	54613218000	CUP SET SHORT	1
5	61013020200	BLEEDER SCREW WITH CAP	1
7	50313083000	BRAKE PISTON 32MM	1
8	50313081000	REPAIR KIT SEALING RINGS 32MM	1
11	75013090000	BRAKE PAD SET REAR SBS-S-40GF	1
12	61013082000	BOLT SET 05	1
13	54813020100	HOLLOW SCREW BLACK M10X1X19	1
14	0603100141	COPPER GASKET DIN7603-10X14X1	2
15	76513072000	BRAKE HOSE REAR 805MM	1

087651390 / C087651390

* NEW PART

X AS REQUIRED

REAR BRAKE CONTROL

690 SMC EU 2010

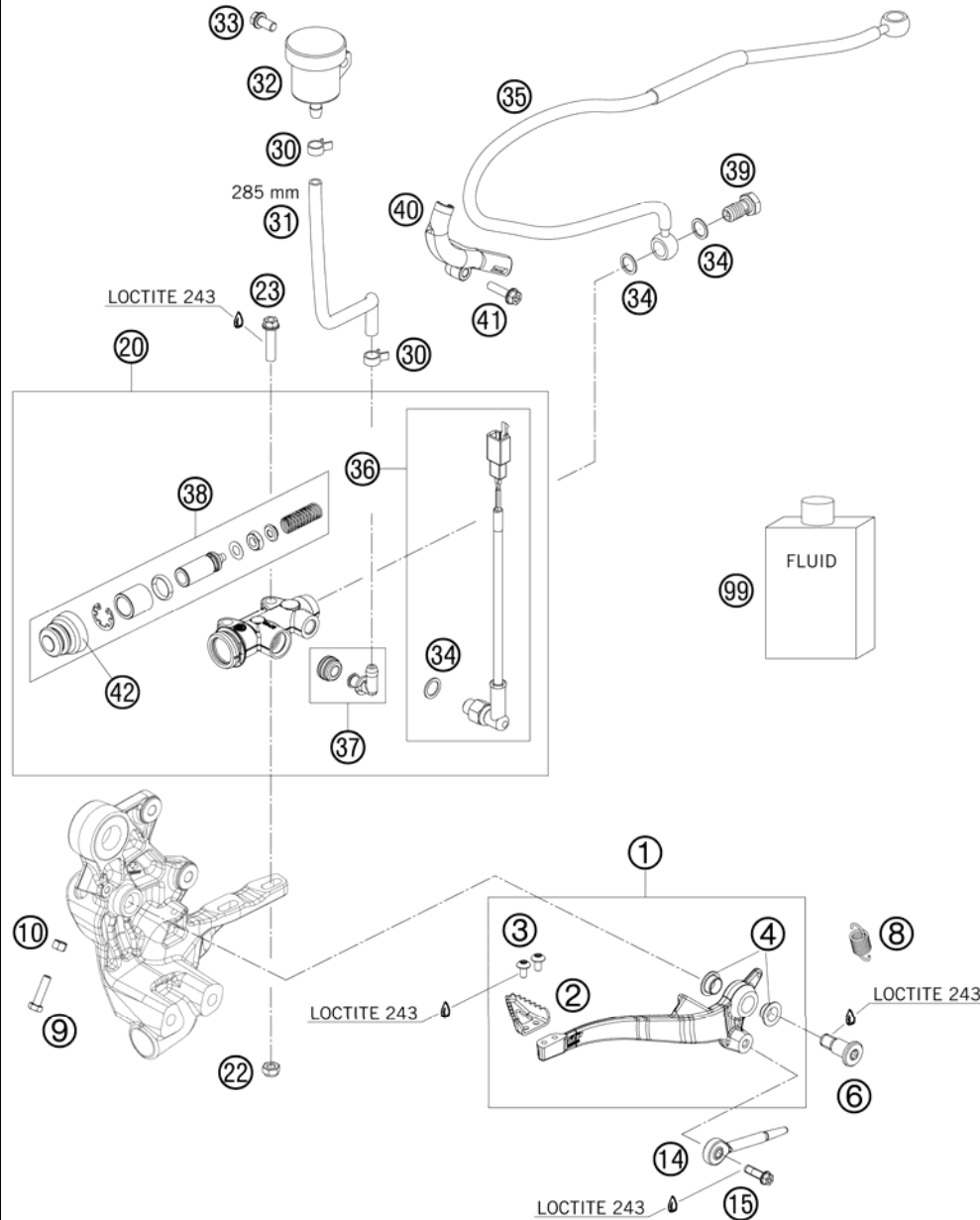


FIG	PART NUMBER	DESCRIPTION	QTY
1	7651305014401S	FOOT BR. LEVER + STEP PLATE 09	1
2	60013051000	STEP PLATE FOOT BRAKE LEVER 03	1
3	58605083010	SCREW TORX M5X10 05	2
4	76513053000	SLIDE BEARING FOOT BRAKE LEVER	2
6	76513057100	SPECIAL SCREW M10 LH PRECOTE	1
8	54603062000	RETURN SPRING FOR BRAKE LEVER	1
9	0933050203	HH SCREW DIN933 M5x20	1
10	0934050003	HEXAGON NUT DIN0934-M 5	1
14	76513056000	PUSH ROD	1
15	0025060206S	HH COLLAR SCREW M6X20 TX30	1
20	76513060000	FOOT BRAKE CYLINDER 13MM	1
22	0926060000	STOP NUT M6 DIN6926 A2-70	2
23	0025060256	HH COLLAR SCREW M6X25 TX30	2
30	58007017000	YDNAC CLAMP 10101 (9MM)	2
31	58007016101	HOSE FOR RESERVOIR 6X1,5	x
32	54513030044	BRAKE FLUID RESERVOIR '89	1
33	0024060123	COLLAR SCREW M6X12 TX	1
34	0603100141	COPPER GASKET DIN7603-10X14X1	3
35	76513072000	BRAKE HOSE REAR 805MM	1
36	76511051000	BRAKE LIGHT SWITCH REAR	1
37	54513155000	ANGLE PIECE	1
38	76513061000	REPAIR KIT PISTON 13MM	1
39	54813020100	HOLLOW SCREW BLACK M10X1X19	1
40	76513047000	BRACKET FOR BRAKE HOSE 08	1
41	0025050206	HH COLLAR SCREW M5X20 TX30	1
42	54513151000	RUBBER SLEEVE	1
99	00062030000	BRAKE FLUID DOT5.1 0,25L	1

097651330 / C107651330

* NEW PART

X AS REQUIRED

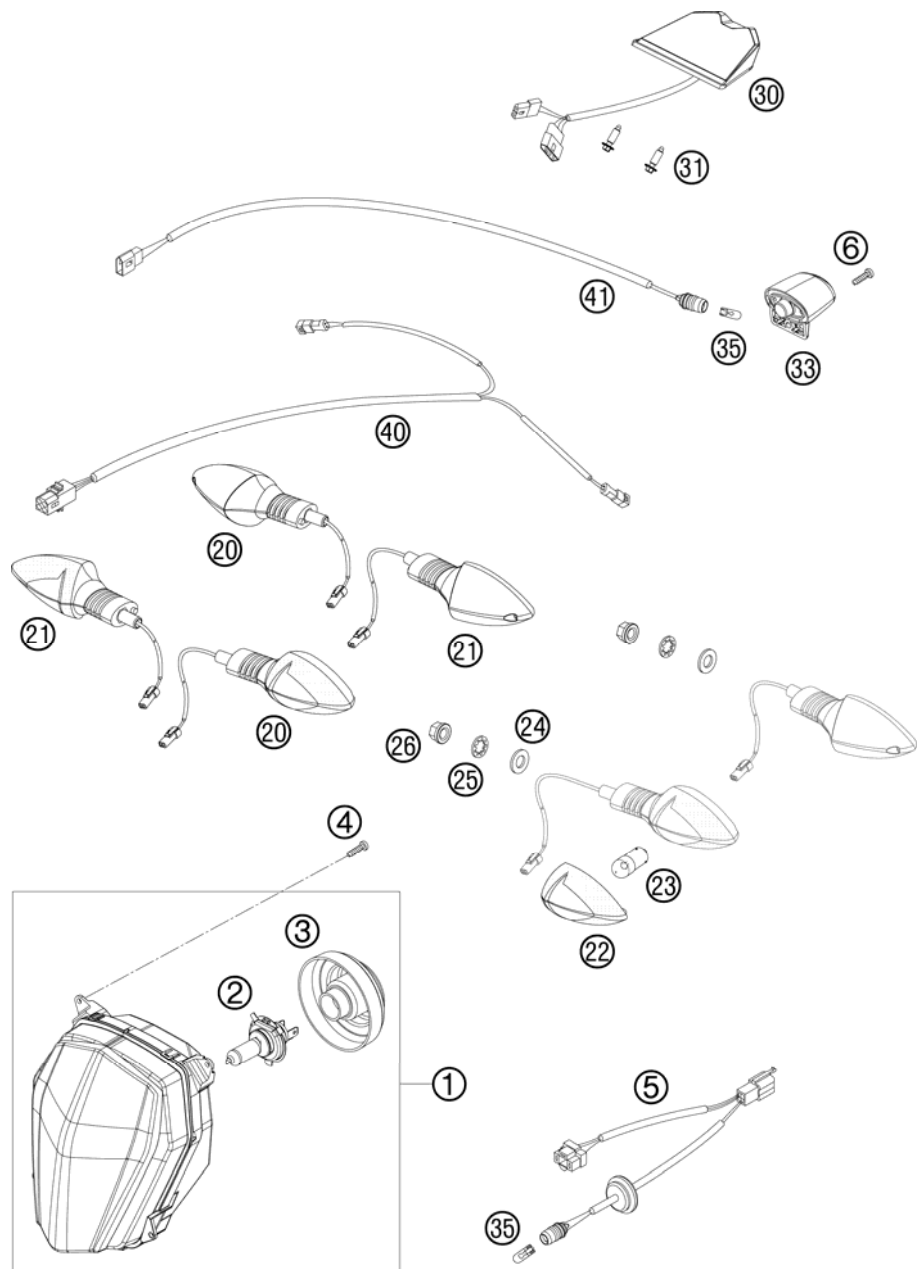


FIG	PART NUMBER	DESCRIPTION	QTY
1	76514001000	HEAD LIGHT	1
2	57111038000	BULB H4 12V 60/55W (P43T)	1
3	76514001050	RUBBER CAP FOR HEAD LIGHT	1
4	0081050121	SCREW FOR PLASTIC K50X12 T20	4
5	76511079000	WIRING HARNESS HEAD LIGHT	1
6	0081250181	SCREW FOR PLASTIC 50X18 T20	1
20	60114025000	FLASHER CPL.FRONT L/S REAR R/S	2
21	60114026000	FLASHER CPL.FRONT R/S REAR L/S	2
22	60114028000	FLASHER LENS L/S R/S TRANSP.06	4
23	60114027000	BULB 12V ORANGE (RY10W)	4
24	0433100003	WASHER 18x10,5x1,6	4
25	0797100003	LOCK WASHER DIN6797-J10,5 ZI	4
26	58414030000	HH COLLAR NUT M10X1,25 WS=13	4
30	76514040000	REAR LIGHT	1
31	0017060203	EJOT PT SCREW K60X20 WS=6	2
33	75014047000	LICENSE PLATE ILLUMINATION 07	1
35	49011435100	BULB 12V 5W (W2,1X9,5D) PHIL.	2
40	76511076000	WIRING HARNESS FLASHER REAR 08	1
41	76511078000	WIRING HARN. LIC. PLATE ILLUM.	1

087651410 / C087651410

* NEW PART

X AS REQUIRED

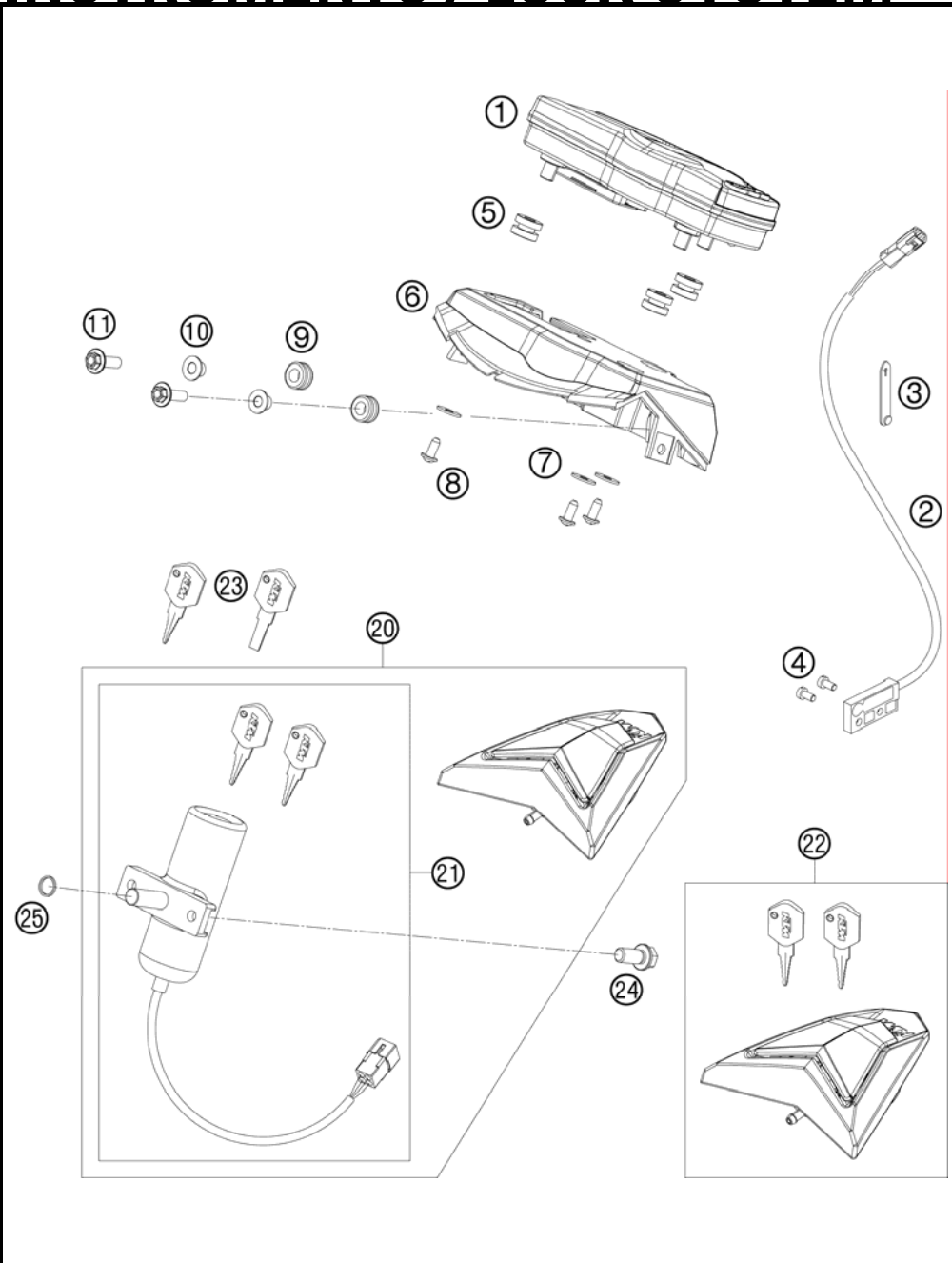


FIG	PART NUMBER	DESCRIPTION	QTY
1*	75014069100	SPEEDOMETER KM/H 17" 10 REPROGRAMMABLE KM/H - MPH	1
2	76514068000	SPEEDOMETER SENSOR	1
3	60011093045	RUBBER CABLE TIE 45MM 03	2
4	0084040083	CYL.HEAD SCREW DIN0084-M 4X8 A	2
5	58214069051	RUBBER GROMMET 16X10,8X3 02	3
6	76514060000	SPEEDOMETER BRACKET	1
7	0021050003	WASHER DIN9021-A 5,3	3
8	0081050121	SCREW FOR PLASTIC K50X12 T20	3
9	31008060000	RUBBER SLEEVE D=8MM OPEN	2
10	75014010050	COLLAR BUSHING 6,1X8,1X14X8 07	2
11	0024060156	HH COLLAR SCREW M6X15 TX30	2
20	76511066044	LOCK SET 08	1
21	76511066000	IGNITION LOCK 08	1
22	76507008000	TANK PLUG 08	1
23	40011166100	KEY BLANK LC4/DUKE/LC8	x
23	40011166150	KEY MILLED	x
24	59009062013	SPECIAL SCREW M6X13 WS=8 10.9	2
25	0770100020	O-RING 10,00X2,00 SILCONE	1

087651430 / C107651432

* NEW PART

X AS REQUIRED



0
OHNE ABBILDUNG
WITHOUT ILLUSTRATION

1
TECHNISCHE DOKUMENTATION
TECHNICAL DOCUMENTATION
DOCUMENTACION TECNICA
DOCUMENTATION TECHNIQUE
NOTE TECNICHE

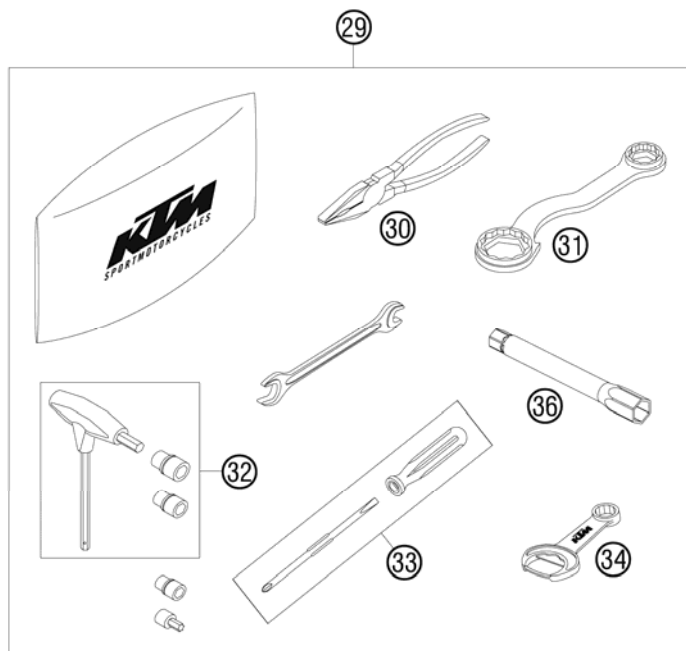


FIG	PART NUMBER	DESCRIPTION	QTY
0	00063099111	BAG FOR INSTRUCTION MANUAL	1
0	0019080756	COUNTERSUNK SCREW ISA45 M8X75	4
0	0024060206	HH COLLAR SCREW M6X20 TX30	4
0	0025080126	HH COLLAR SCREW M8X12 TX40	4
0	0025080166	HH COLLAR SCREW M8X16 TX40	4
0	0125050003	WASHER DIN0125-A 5,3	2
0	0125060003	WASHER DIN0125-A 6,4	4
0	0966050163	OVAL HEAD SCREW DIN0966-M 5X16	2
0	0985050003	SELF LOCKING NUT DIN0985-M 5	2
0	0985060003	SELF LOCK. NUT DIN0985-M 6	4
0	312305	DOCUMENTS BAG 2006	1
0	312313	KTM BALLPOINT PEN ORANGE	1
0	3210039	CUSTOMER WELCOME LETTER	1
0	40006006000	WASHER 6MM	2
0	58412040050	SUPPORT FOR MIRROR LC4 '98	2
0	58412080000	REFLECTOR RED LC4 '98	1
0	58412080050	BRACKET FOR REFLECTOR	1
0	60012081200	LICENCE FITTING 06	1
0	61112040000	REVIEW MIRROR L/S 07	1
0	61112041000	REVIEW MIRROR R/S 07	1
0	76503038150	HEEL PROTECTOR LS 09	1
0	76503039050	HEEL PROTECTOR RS 08	1
0	76503040033	FOOTREST L/S+R/S CPL. 08	1
0	7650304803301S	FOOT REST SUPPORT REAR L/S	1
0	7650304903301S	FOOT REST SUPPORT REAR R/S	1
0	76512008000	HAND GRIP L/S	1
0	76512009000	HAND GRIP R/S	1
1*	3211517EN	OWN. MANUAL 690 SMC 2010	1
29	75029099100	TOOL SET 08	1
30	53012028200	GRIP ORANGE B&F	1
31	50329080100	WRENCH SW=17/21/27/32 B&F	1
32	60029070200	T-WRENCH WS=6/8/10 TX=45 B&F	1
33	53012024100	SCREW DRIVER L=105MM	1
34	50329071100	WRENCH WS=13 B&F + OPENER	1
36	75029072000	SPARK PLUG WRENCH	1

087562000 / C107652004

* NEW PART

X AS REQUIRED





KTM-Sportmotorcycle AG
A-5230 Mattighofen
www.ktm.at

KTM Group Partner



3CF9703J9EN



Art.Nr.: 3CF9703J9EN 11/2009