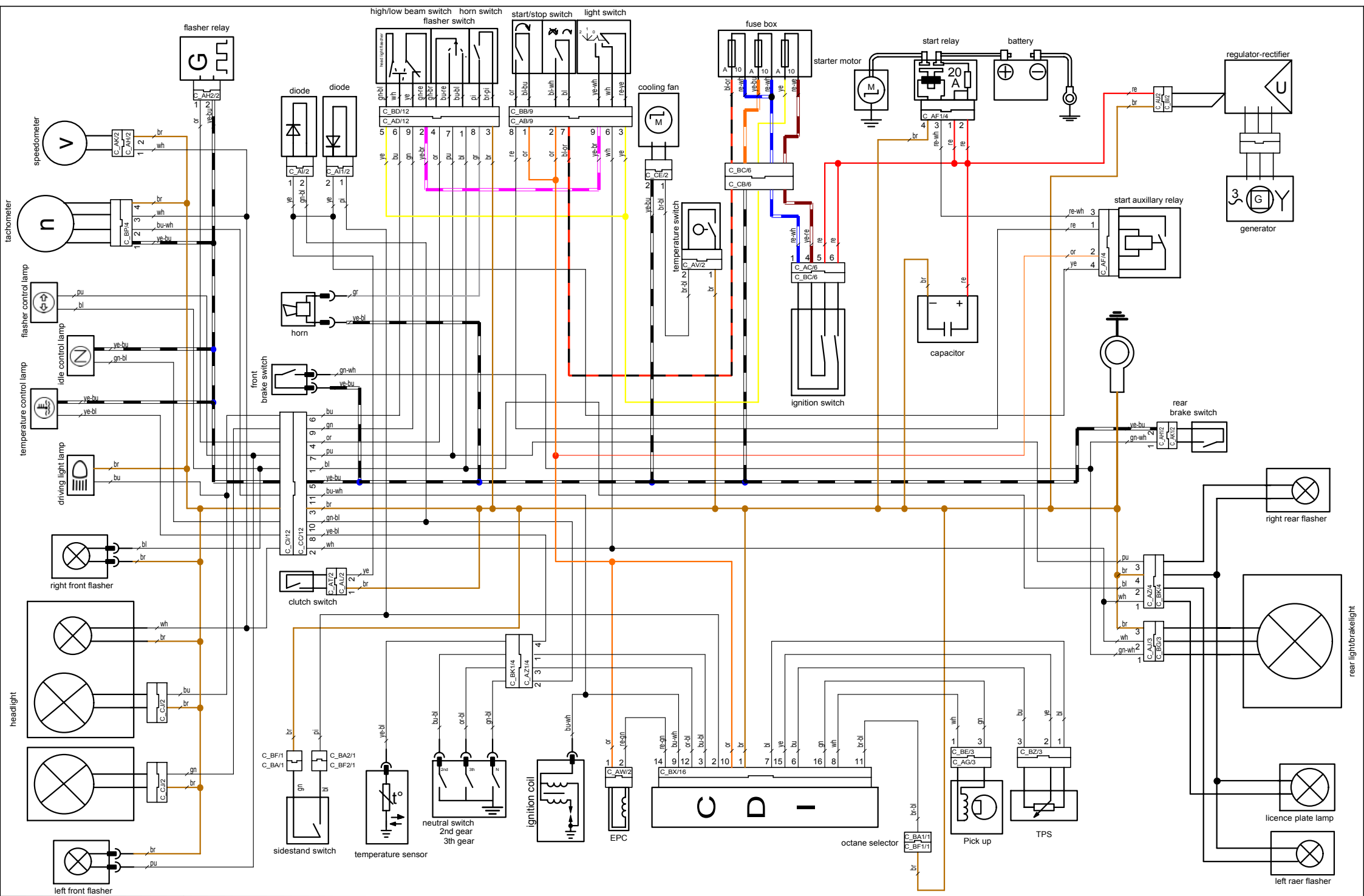


640-Duke 03-05

wiring diagram

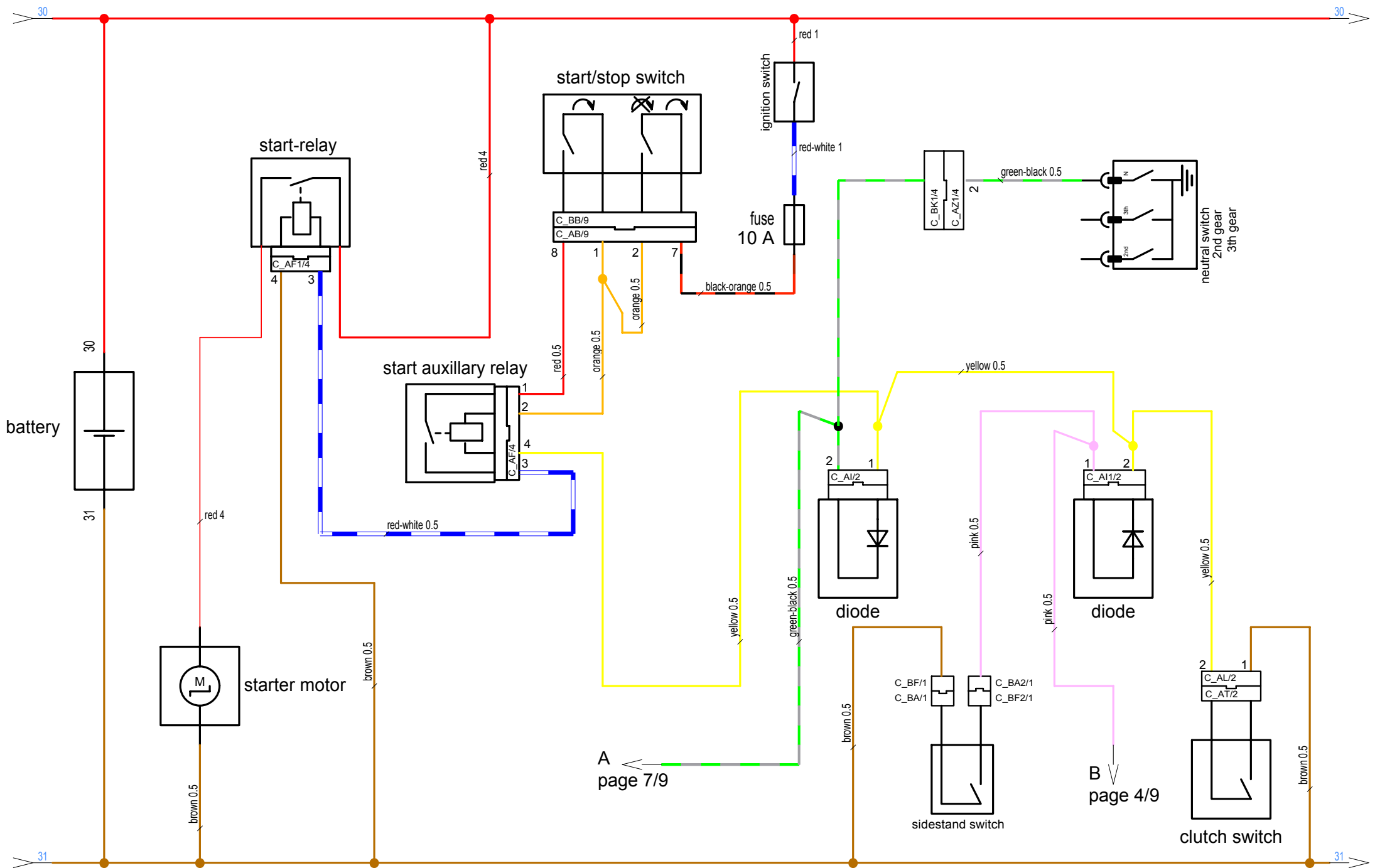
main harness - 587.11.075.100
 cockpit - 587.11.082.000 fuse box -
 rear - 587.11.076.200 587.11.087.000

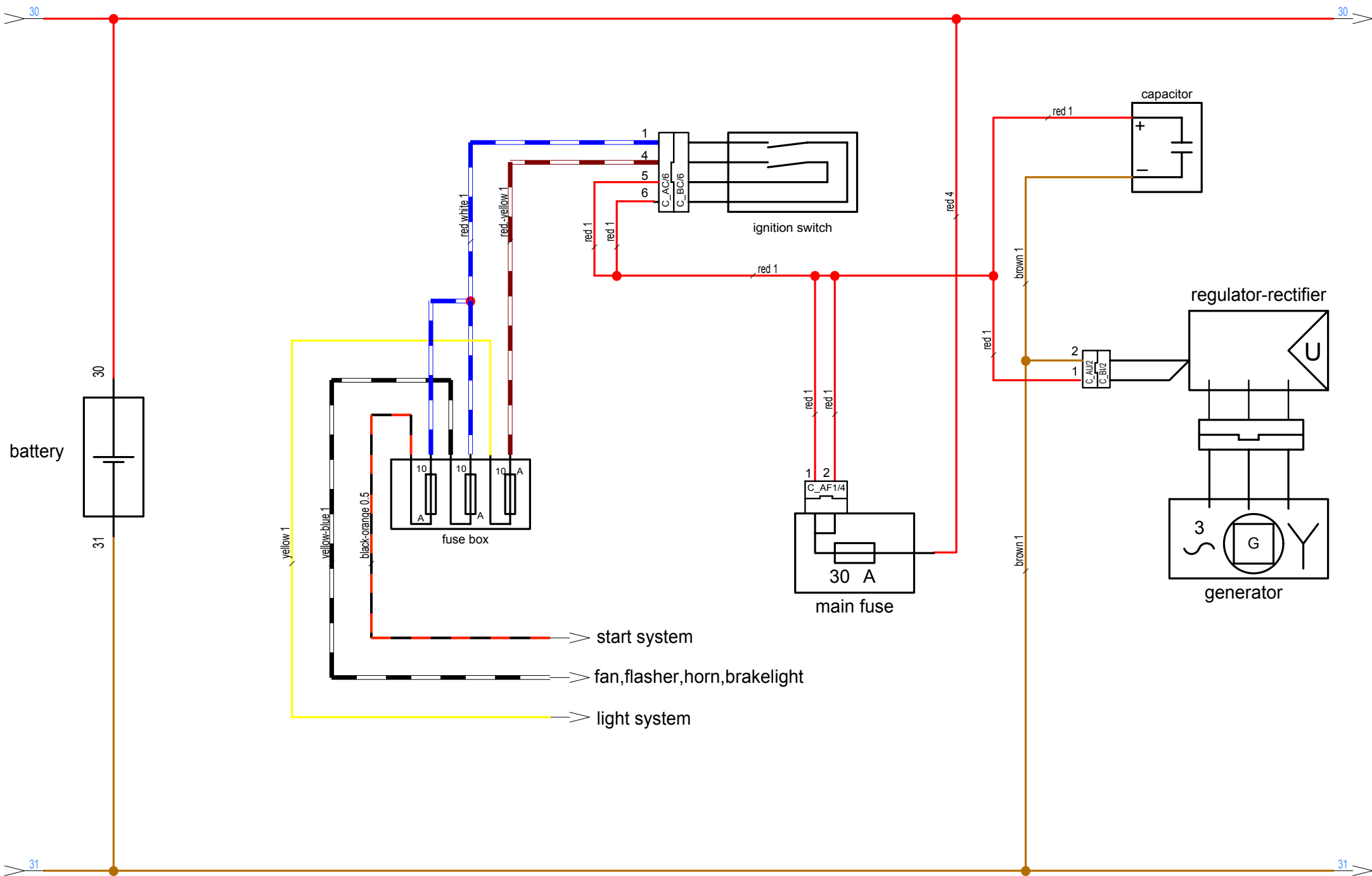


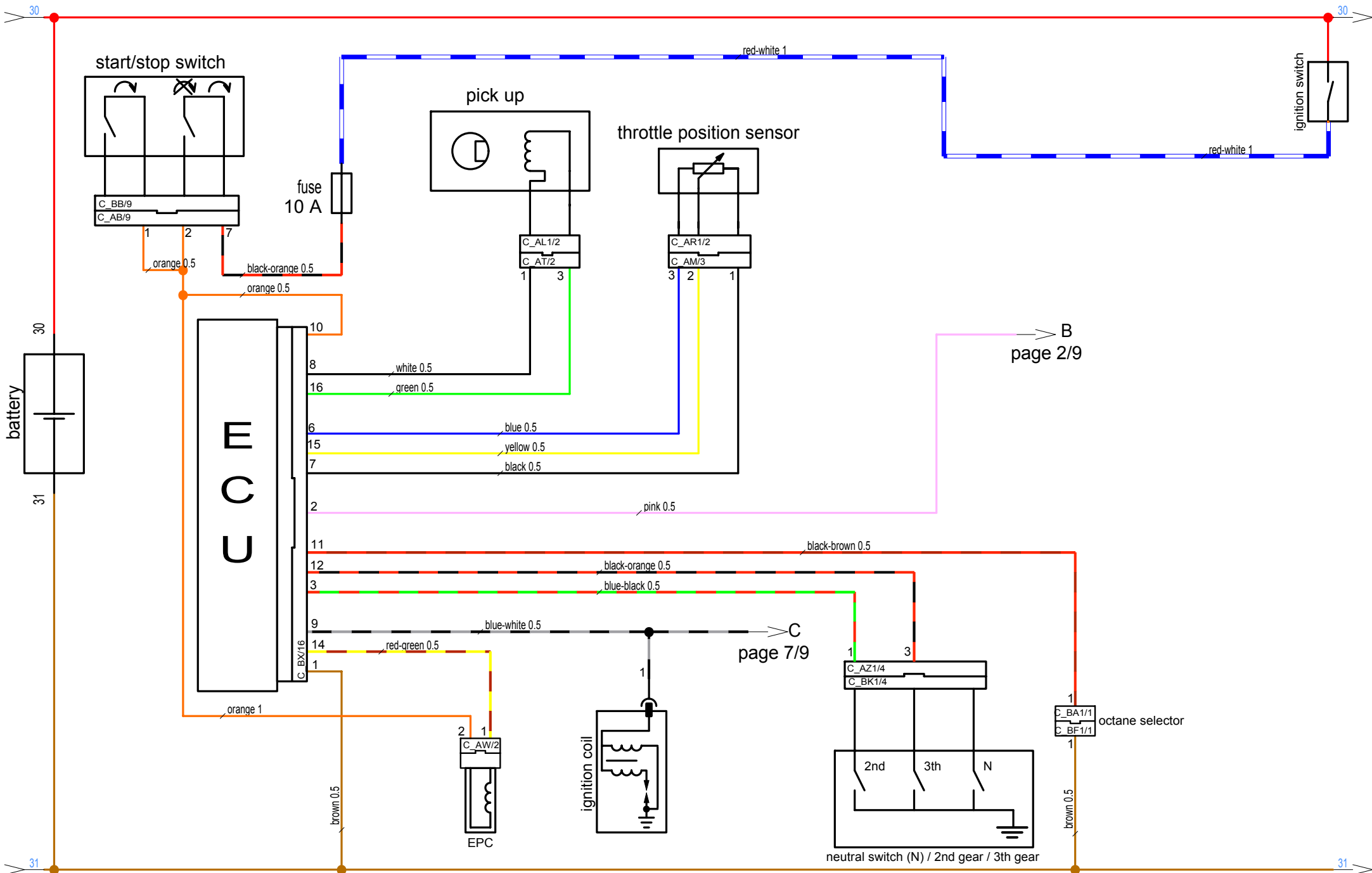
640-Duke 03-05

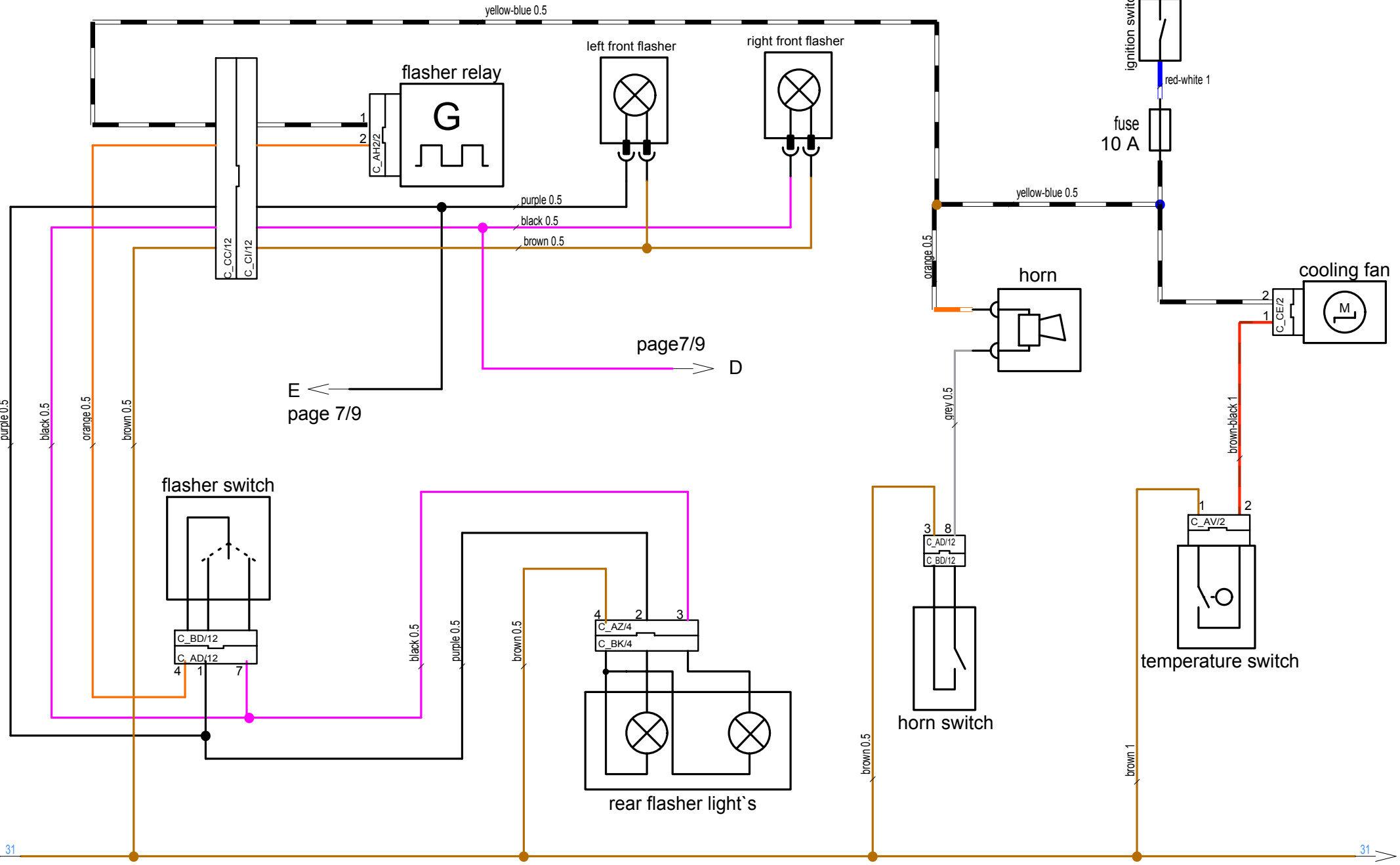
wiring diagram

main harness - 587.11.075.100
 cockpit - 587.11.082.000
 rear - 587.11.076.200
 fuse box - 587.11.087.000









E < page 7/9

page 7/9 > D

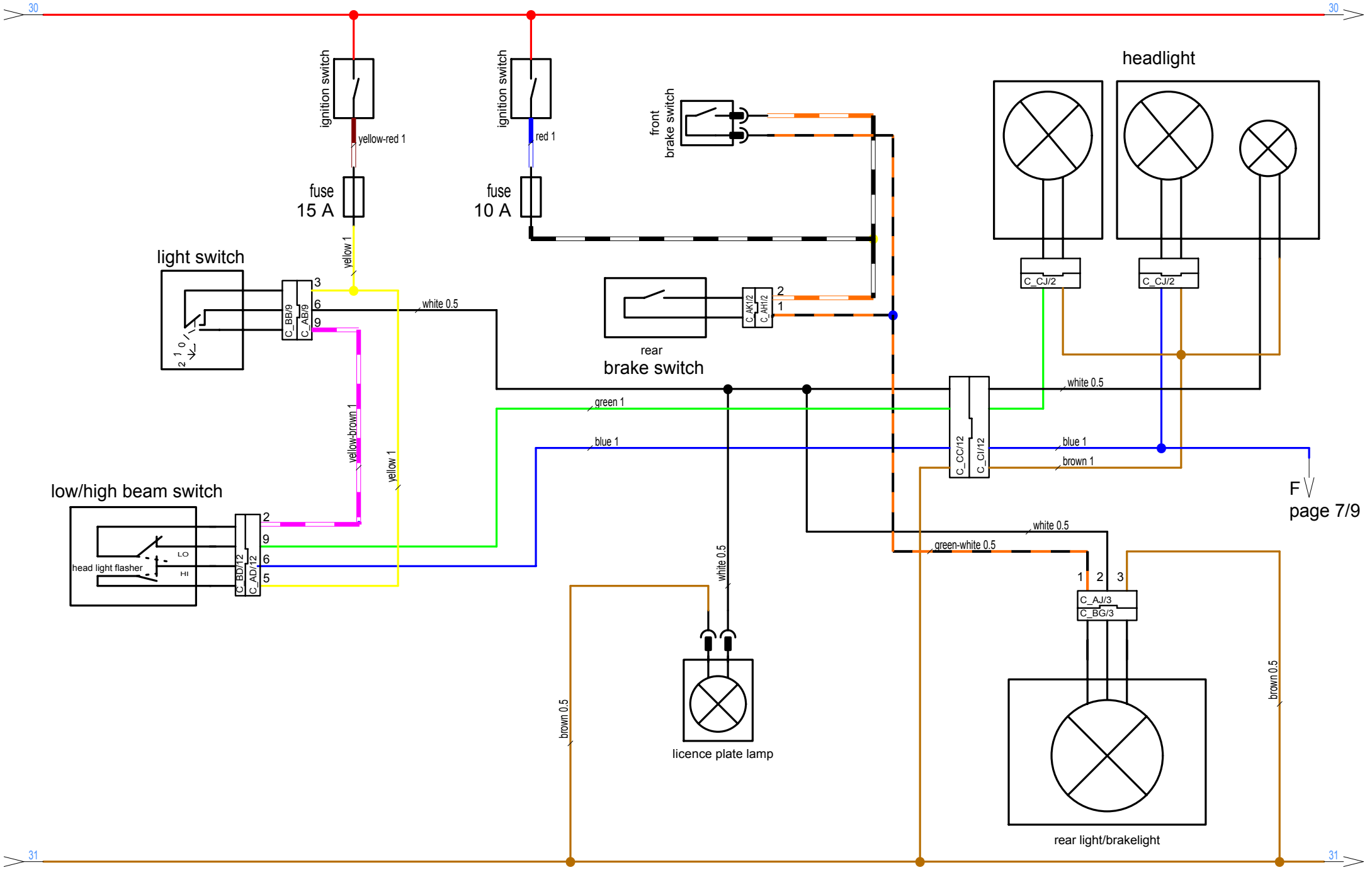
purple 0.5
black 0.5
orange 0.5
brown 0.5

black 0.5
purple 0.5

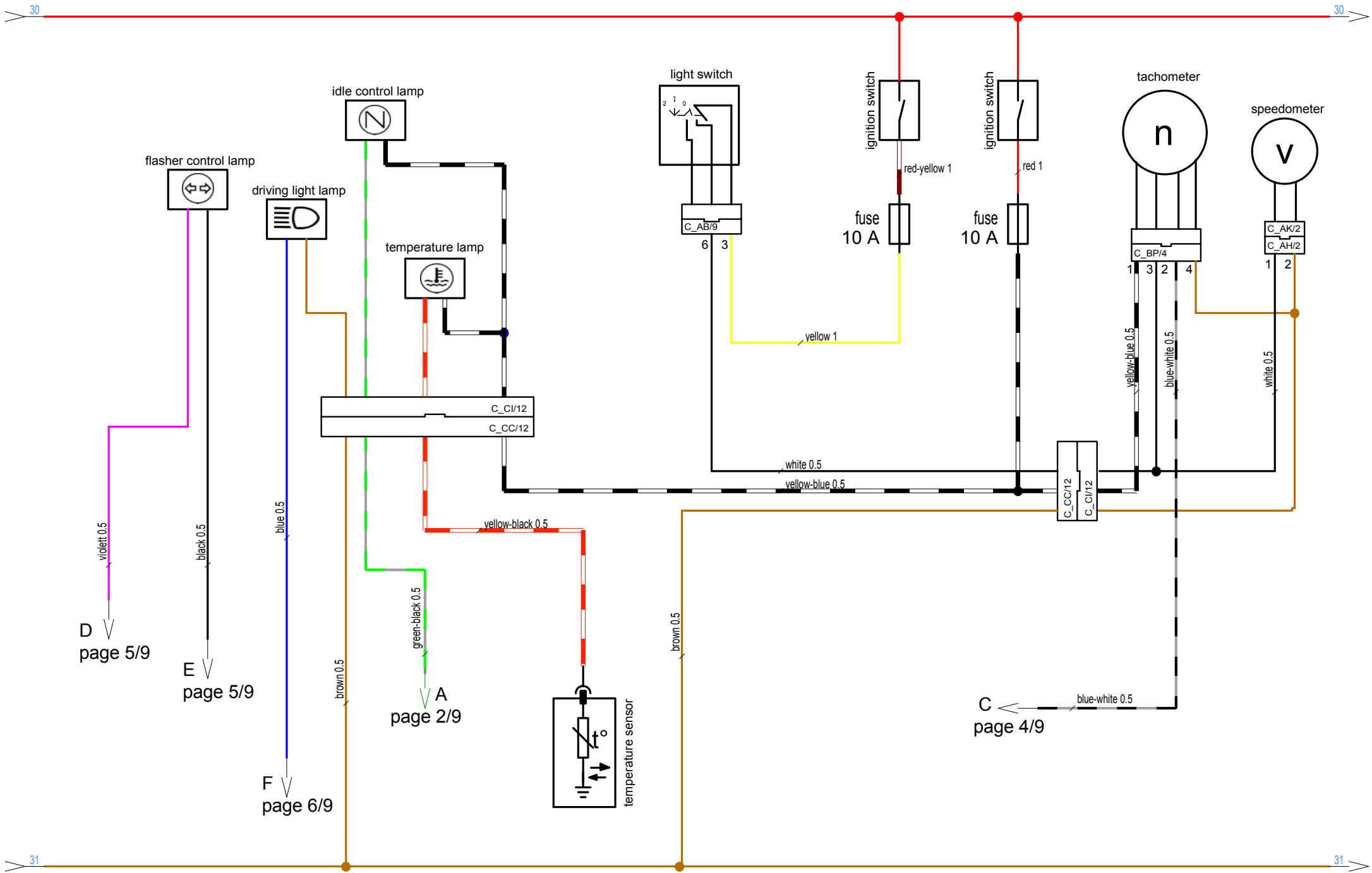
brown 0.5

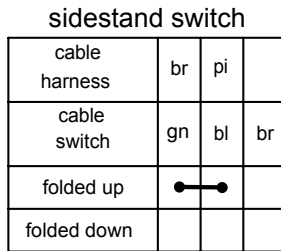
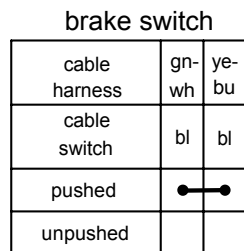
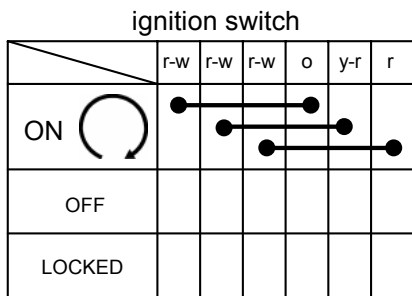
brown 0.5

brown 1

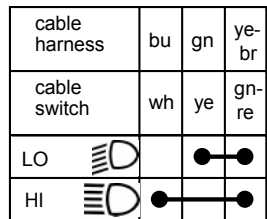


F
page 7/9

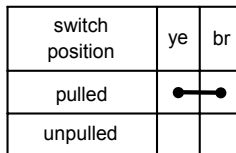




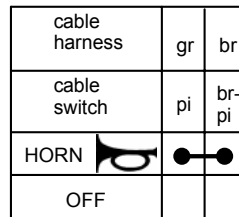
high/low beam switch



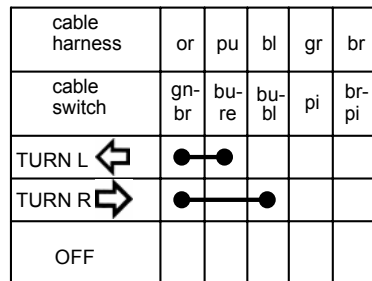
clutch switch



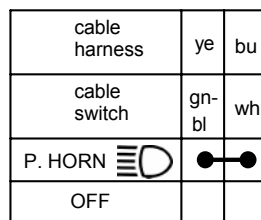
horn switch



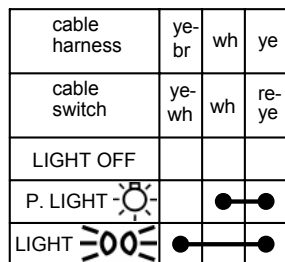
flasher switch



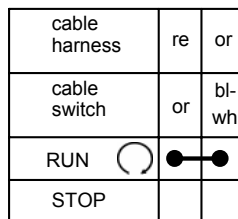
passing light



light switch



kill switch



start switch

