

# 640 LC4 SUPERMOTO PRESTIG EU 2006



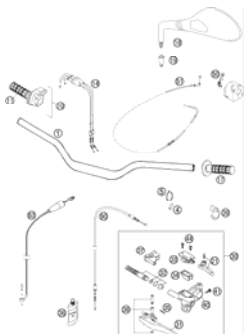
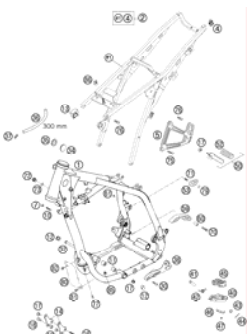
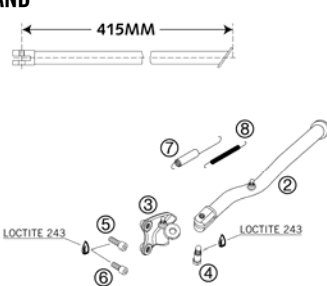
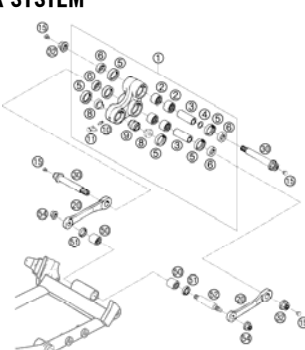
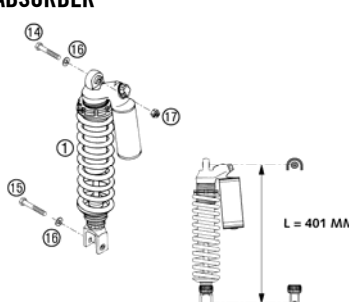
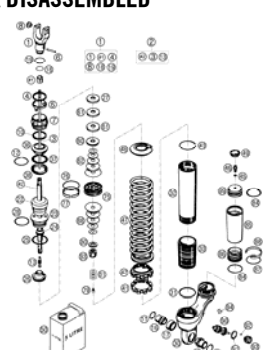
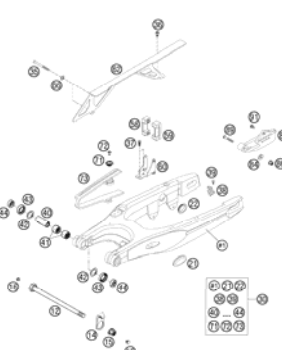
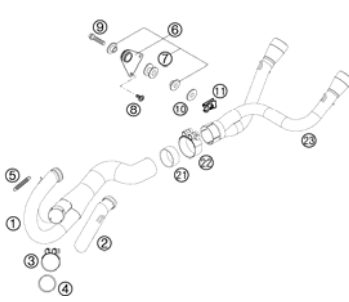
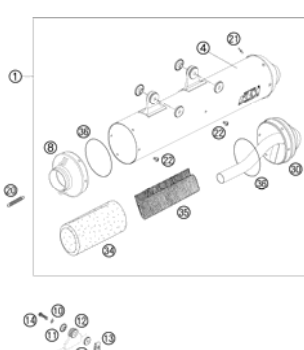
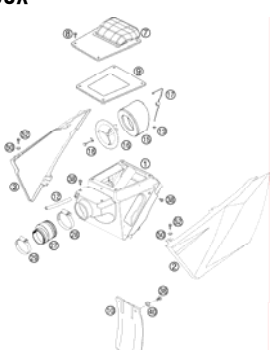
SPARE PARTS MANUAL: CHASSIS

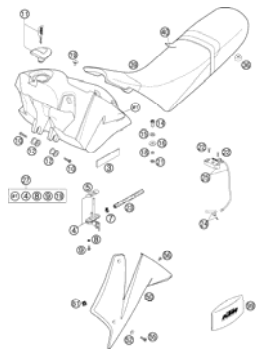
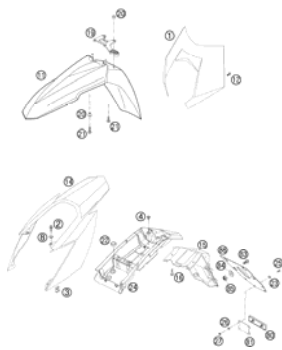

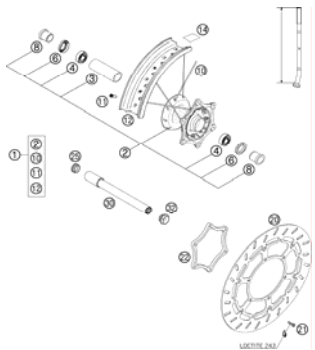
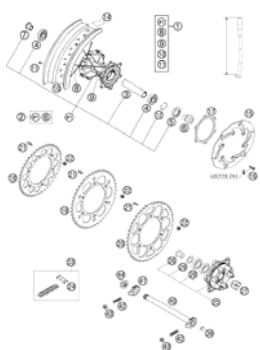
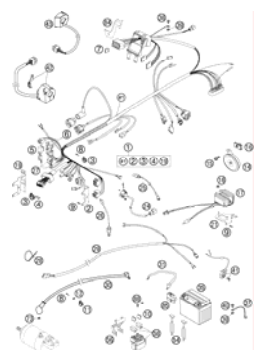
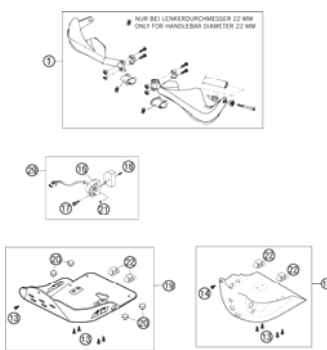
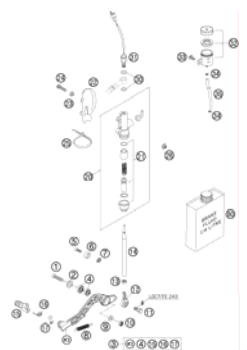
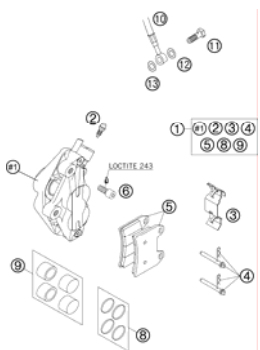
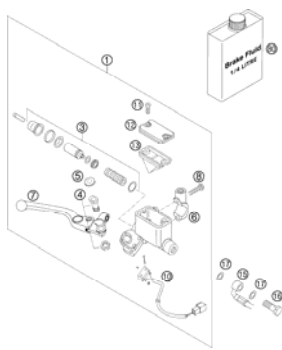
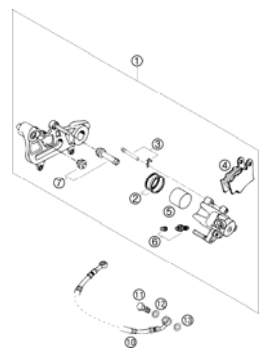
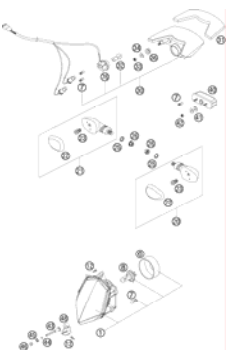
ART.NO.: 3CF9726F1EN

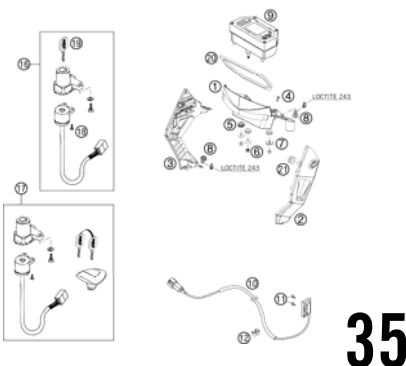
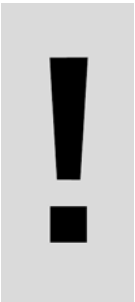
ENGLISH





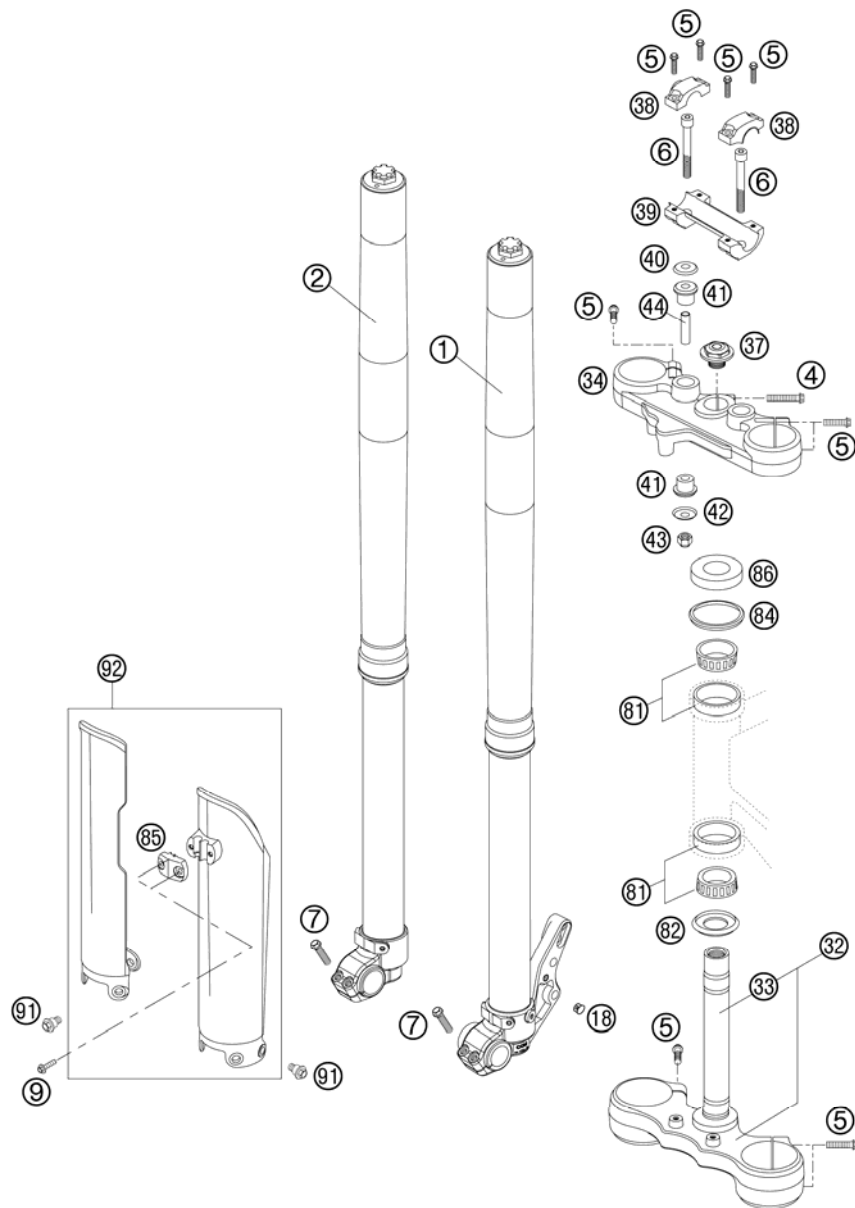
|   |  |   |   |
|---|--|---|---|
| <p><b>FRONT FORK</b></p>  <p><b>4</b></p>  | <p><b>FORK LEGS</b></p>  <p><b>5</b></p>          | <p><b>HANDLEBAR, CONTROLS</b></p>  <p><b>8</b></p> | <p><b>FRAME, SUB FRAME</b></p>  <p><b>9</b></p>        |
| <p><b>SIDE STAND</b></p>  <p><b>11</b></p> | <p><b>PRO LEVER SYSTEM</b></p>  <p><b>12</b></p> | <p><b>SHOCK ABSORBER</b></p>  <p><b>13</b></p>     | <p><b>MONOSHOCK DISASSEMBLED</b></p>  <p><b>14</b></p> |
| <p><b>SWINGARM</b></p>  <p><b>17</b></p> | <p><b>PIPES</b></p>  <p><b>18</b></p>          | <p><b>SILENCER</b></p>  <p><b>19</b></p>         | <p><b>AIR FILTER BOX</b></p>  <p><b>20</b></p>       |

|  |  |   |   |
|--|--|---|---|
| <p><b>TANK, SEAT, COVER</b></p>  <p><b>21</b></p>     | <p><b>MASK, FENDERS</b></p>  <p><b>22</b></p>         | <p><b>DECAL</b></p>  <p><b>23</b></p>                | <p><b>FRONT WHEEL</b></p>  <p><b>24</b></p>        |
| <p><b>REAR WHEEL</b></p>  <p><b>25</b></p>            | <p><b>WIRING HARNESS</b></p>  <p><b>27</b></p>        | <p><b>ATTACHMENT PARTS</b></p>  <p><b>29</b></p>     | <p><b>REAR BRAKE CONTROL</b></p>  <p><b>30</b></p> |
| <p><b>BRAKE CALIPER FRONT</b></p>  <p><b>31</b></p> | <p><b>HAND BRAKE CYLINDER</b></p>  <p><b>32</b></p> | <p><b>BRAKE CALIPER REAR</b></p>  <p><b>33</b></p> | <p><b>LIGHTING SYSTEM</b></p>  <p><b>34</b></p>  |

|  |   |  |  |
|--|---|--|--|
| <p><b>SPEEDOMETER</b></p>  <p><b>35</b></p> |   |  |  |
|  |   |  |  |
|  |  <p>All information contained is without obligation. KTM-Sportmotorcycle AG particularly reserves the right to modify any equipment, technical specifications, prices, colors, shapes, materials, services, service work, constructions, equipment and the like so as to adapt them to local conditions or to cancel any of the above items, all without previous announcement and without giving reasons. KTM may stop manufacturing certain models without previous notice. KTM shall not be held liable for any deviations of availability and/or ability to deliver, illustrations, descriptions, printing and/or other errors. The illustrated models partly contain extra equipment, which is not applied to standard models. © 2004 by KTM-SPORTMOTORCYCLE AG, Mattighofen AUSTRIA; All rights reserved; Reprint, also in extracts, with written allowance of KTM-SPORTMOTORCYCLE AG, Mattighofen only.</p> |  |  |

# FRONT FORK

# 640 LC4 SUPERMOTO PRESTIG EU 2006



| FIG | PART NUMBER   | DESCRIPTION                    | QTY |
|-----|---------------|--------------------------------|-----|
| 1*  | 14187B07LS    | FORK LEG L/S                   | 1   |
| 2*  | 14187B07RS    | FORK LEG R/S                   | 1   |
| 4   | 0015080353    | HH COLLAR SCREW M 8X35 WS=10   | 1   |
| 5   | 0015080303    | HH COLLAR SCREW M 8X30 WS=10   | 12  |
| 6   | 0984100706    | AH SCREW DIN6912-M10X70 10.9   | 2   |
| 7   | 0015080253    | HH COLLAR SCREW M 8X25 WS=10   | 4   |
| 9   | 0017060203    | EJOT PT SCREW K60X20 WS=6      | 2   |
| 18  | 58301098000   | PLASTIC CAP 3/8" 2663          | 1   |
| 32* | 58401132100   | BOT.TRIPLE CLAMP CPL. SM 03    | 1   |
| 33  | 50101033100   | FORK TUBE L=244 '91            | 1   |
| 34  | 58401134000   | TOP TRIPLE CLAMP LC4 SM 03     | 1   |
| 37  | 50301036000   | STEER.HEAD SCREW M20X1,5 WS=27 | 1   |
| 38  | 59001038200   | HANDLEBAR CLAMP D=28MM 2000    | 2   |
| 39  | 59001039100   | HANDLEBAR SUPPORT 28MM SC'99   | 1   |
| 40  | 56401042000   | WASHER 10,5X32X2               | 2   |
| 41  | 56401040000   | RUBBER BUSHING                 | 4   |
| 42  | 56401142000   | WASHER 10,5X31                 | 2   |
| 43  | 0982100003    | SELF LOCK.NUT DIN0982-M10 HIGH | 2   |
| 44  | 56401041100   | SPACER TUBE 10,2X12X44         | 2   |
| 81* | 54201081100   | TAPERED ROLLER BEARING CPL. 06 | 2   |
| 82  | 54601084100   | O-RING SUPPORT W. SEALING LIP  | 1   |
| 84  | 54601184000   | STEERING HEAD GASKET TOP       | 1   |
| 85  | 58201085000   | CLAMP F.SPEED CABLE D=8MM 2001 | 1   |
| 86  | 54201086000   | STEERING HEAD COVER            | 1   |
| 91  | 59001092050   | SPECIAL SCREW M6X12,5 WS=8     | 6   |
| 92  | 5900109400030 | FORK PROTECT. L/S+R/S BLACK 02 | 1   |

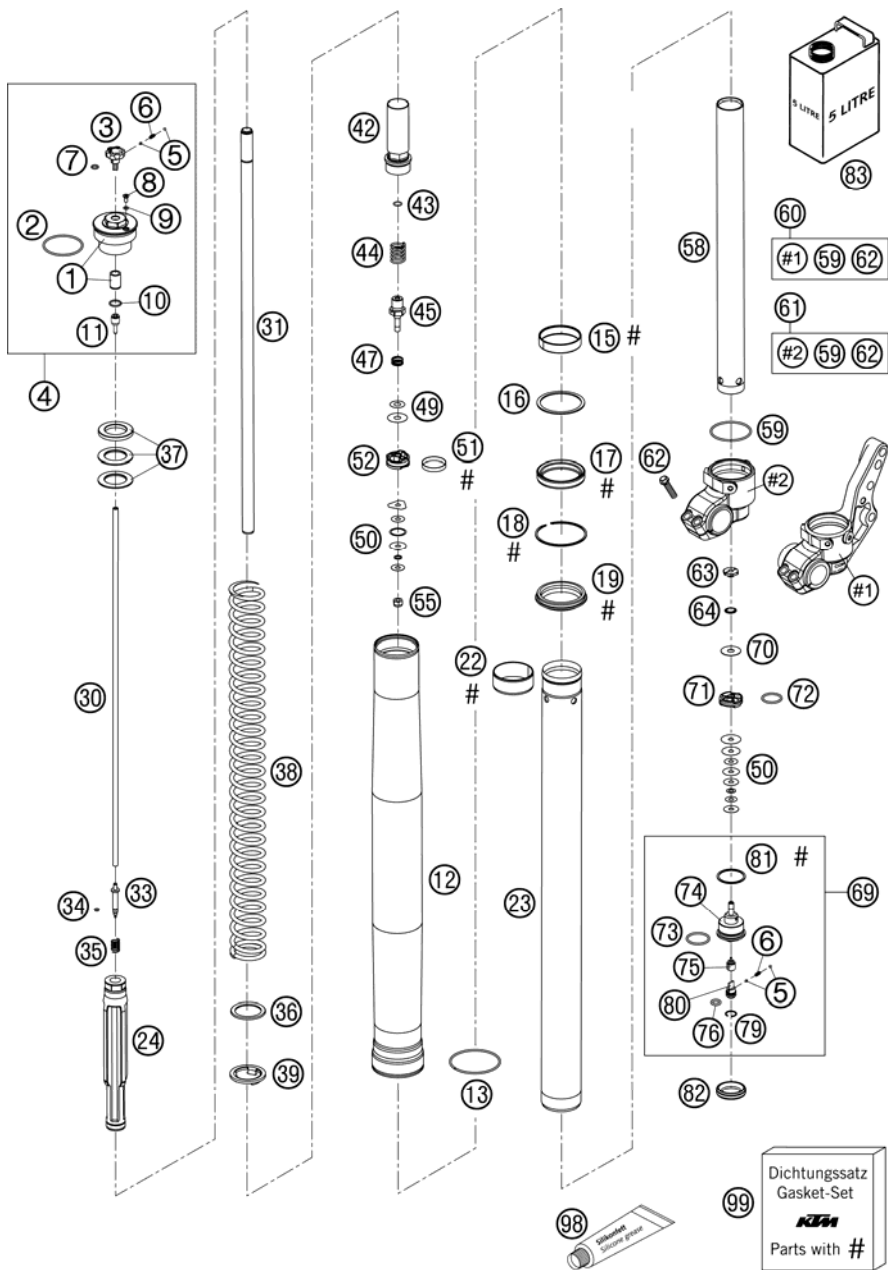
05584015 / C065840105

\* NEW PART

X AS REQUIRED

# FORK LEGS

# 640 LC4 SUPERMOTO PRESTIG EU 2006



| FIG | PART NUMBER | DESCRIPTION                    | QTY |
|-----|-------------|--------------------------------|-----|
| 1   | 48600020S1  | SCREW CAP M51X1,5 CPL.         | 2   |
| 2   | 46810340    | O-RING NBR 45X2                | 2   |
| 3   | 48600018    | KNOB REBOUNG ADJUSTER          | 2   |
| 4   | 48600020S1  | SCREW CAP M51X1,5 CPL.         | 2   |
| 5   | 40540603    | STEEL BALL D=3MM               | 8   |
| 6   | 48600028    | SPRING D=2,9 L=7,9             | 4   |
| 7   | 48600044    | O-RING NBR 6X1,5               | 2   |
| 8   | 48600058    | VENT SCREW M4X6                | 2   |
| 9   | 48600009    | O-RING NBR 3,7X1,6             | 2   |
| 10  | 48600043    | O-RING NBR 12X1,5              | 2   |
| 11  | 48600019    | HOLDER F.ADJUSTMENT TUBE D=4MM | 2   |
| 12* | 48600421E   | OUTER T. L=577 D=54/60 2L ANTR | 2   |
| 13  | 48600016    | GUIDING RING D=58MM            | 2   |
| 15* | 48600429    | DU-BUSH D48XD52X12DDL02        | 2   |
| 16  | 48600013    | SUPPORT RING 50 X 57,6 X 1,5   | 2   |
| 17  | 48600399    | OIL SEAL RING 48X57,8X9,5      | 2   |
| 18  | 48600070    | LOCK WASHER SB58               | 2   |
| 19  | 48600400    | DUST CAP D=48 58,4X11,8        | 2   |
| 22* | 48600428    | DU-BUSH D47XD49X20DDL02        | 2   |
| 23* | 48600417    | INNER TUBE D=48 L=595 2005     | 2   |
| 24* | 48600380S1  | HYDR.STOP L=200MM D=31,9 CPL.  | 2   |
| 30  | 48600094    | ADJUSTMENT TUBE L=492MM        | 2   |
| 31  | 48600412    | PISTON ROD 14X11X1 L=526       | 2   |
| 33  | 48600189    | NEEDLE REBOUNG 2003            | 2   |
| 34  | 48600046    | O-RING NBR 3X1,5               | 2   |
| 35  | 48600033    | SPRING REBOUNG NEEDLE C=4N/MM  | 2   |
| 36  | 48600113    | WASHER 32X42X2,5               | 2   |
| 37  | 48600036    | SPACER 42X26,5X2,5             | 2   |
| 37  | 48600037    | SPACER 42X26,5X5               | 2   |
| 37  | 48600038    | SPACER 42X26,5X10              | 1   |
| 37  | 48600053    | SPACER 42X26,5X1,5             | 2   |
| 38  | 91410013S   | SPRING 4,0N/MM SET D=5,0MM     | x   |
| 38  | 91410014S   | SPRING 4,2N/MM SET D=5,0MM     | x   |
| 38  | 91410015S   | SPRING 4,4N/MM SET D=5,1MM     | x   |
| 38  | 91410016S   | SPRING 4,6N/MM SET             | 1   |
| 38  | 91410017S   | SPRING 4,8N/MM SET             | x   |

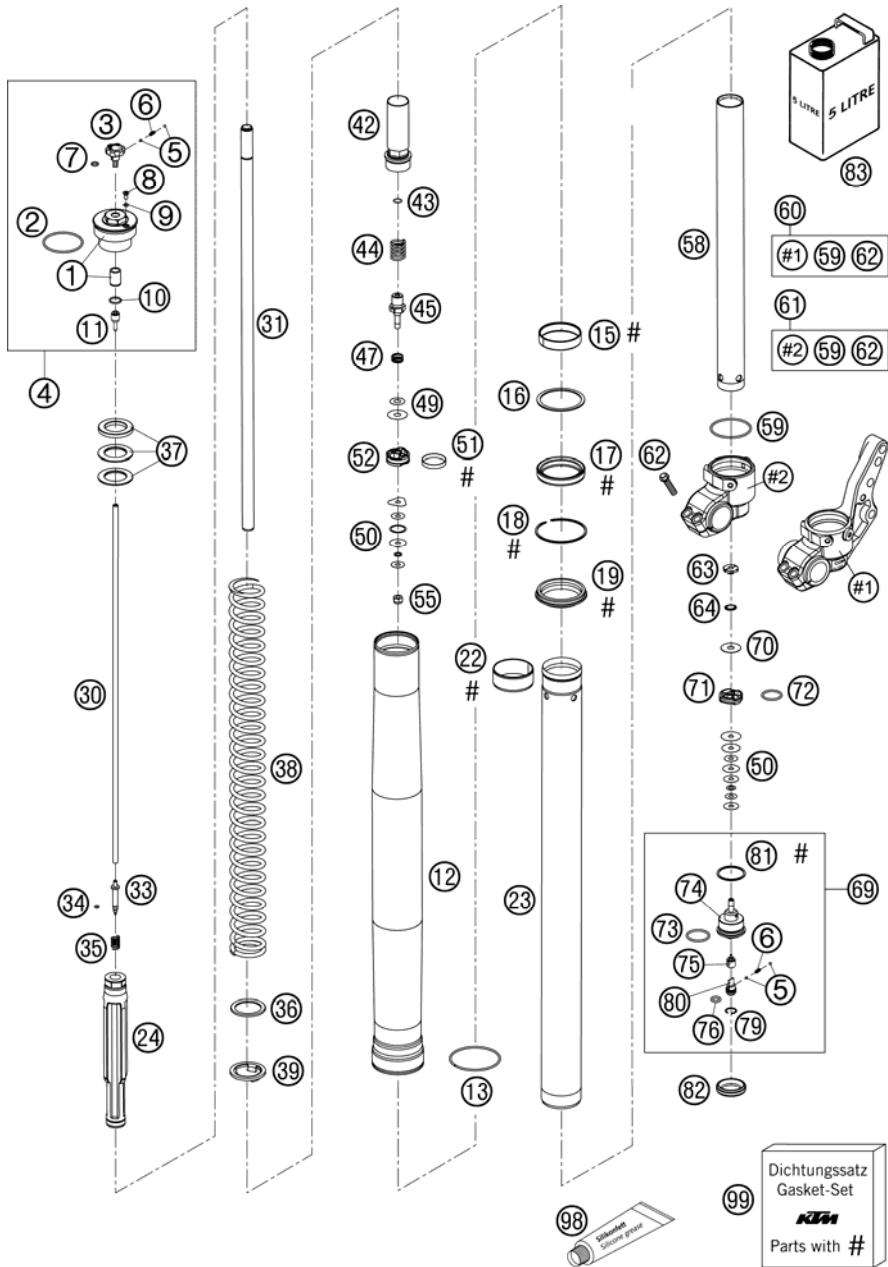
05584016 / C065840106

\* NEW PART

X AS REQUIRED

# FORK LEGS

# 640 LC4 SUPERMOTO PRESTIG EU 2006



| FIG | PART NUMBER | DESCRIPTION                    | QTY |
|-----|-------------|--------------------------------|-----|
| 39  | 48600021    | INTERM. RING 26,2 X 43 X 3     | 2   |
| 42  | 48600383S   | SCREW SLEEVE M29,3X1 L=90 CPL. | 2   |
| 43  | 48600239    | O-RING NBR 8X1,25              | 2   |
| 44  | 48600403    | REBOUND SPRING D=15MM L=34,5MM | 2   |
| 45  | 48600203    | TAB REBOUND D=3 03             | 2   |
| 47  | 35480377    | SPRING CHECK VALVE D=0,5       | 2   |
| 49  | 43570120    | SHIM 8X18X0,10                 | 2   |
| 49  | 48600062    | CHECK VALVE 8X24X0,1           | 8   |
| 49  | 48600215    | CHECK VALVE 8X20X0,1           | 2   |
| 49  | 48600216    | CHECK VALVE 8X22X0,1           | 2   |
| 50  | 40540401    | SHIM 6X14X0,1                  | x   |
| 50  | 40540402    | SHIM 6X16X0,1                  | x   |
| 50  | 40540403    | SHIM 6X18X0,1                  | x   |
| 50  | 40540414    | SHIM 6X16X0,25                 | x   |
| 50  | 40540415    | SHIM 6X18X0,25                 | x   |
| 50  | 40540447    | SHIM 6X10X0,3                  | x   |
| 50  | 48600063    | SHIM 6X24X0,1                  | x   |
| 50  | 48600064    | SHIM 6X22X0,1                  | x   |
| 50  | 48600065    | SHIM 6X20X0,1                  | x   |
| 50  | 48600069    | SHIM 6X20X0,15                 | x   |
| 50  | 48600116    | SHIM 6X24X0,1 DELTA            | x   |
| 50  | 48600212    | PRESSURE-RING 20X16,25X0,20    | x   |
| 51  | 48600060    | PISTON RING 5X1X84             | 2   |
| 52  | 48600042    | PISTON REBOUND D=27,7          | 2   |
| 55  | 40540486    | NUT M6X0,5 REBOUND             | 2   |
| 58  | 48600140    | TUBE 29,3X1X385 ALU            | 2   |
| 59  | 48600048    | O-RING NBR 46 X 2              | 2   |
| 60  | 48600257S   | AXLE CLAMP L/S SM CPL. 04      | 1   |
| 61  | 48600238S   | AXLE CLAMP R/S CPL. USD48 04   | 1   |
| 62  | 0015080253  | HH COLLAR SCREW M 8X25 WS=10   | 4   |
| 63  | 48600163    | CHECK VALVE NUT M6X0,5 D=2     | 2   |
| 64  | 48600202    | SPRING CHECK VALVE D=0,7       | 2   |
| 69  | 48600152S1  | TAP COMPRESSION CPL. 03        | 2   |
| 70  | 48600061    | CHECK VALVE 8X24X0,4           | 2   |
| 71  | 48600047    | PISTON COMPRESSION D=27,9      | 2   |
| 72  | 46811499    | O-RING NBR 21X2                | 2   |

05584016 / C065840106

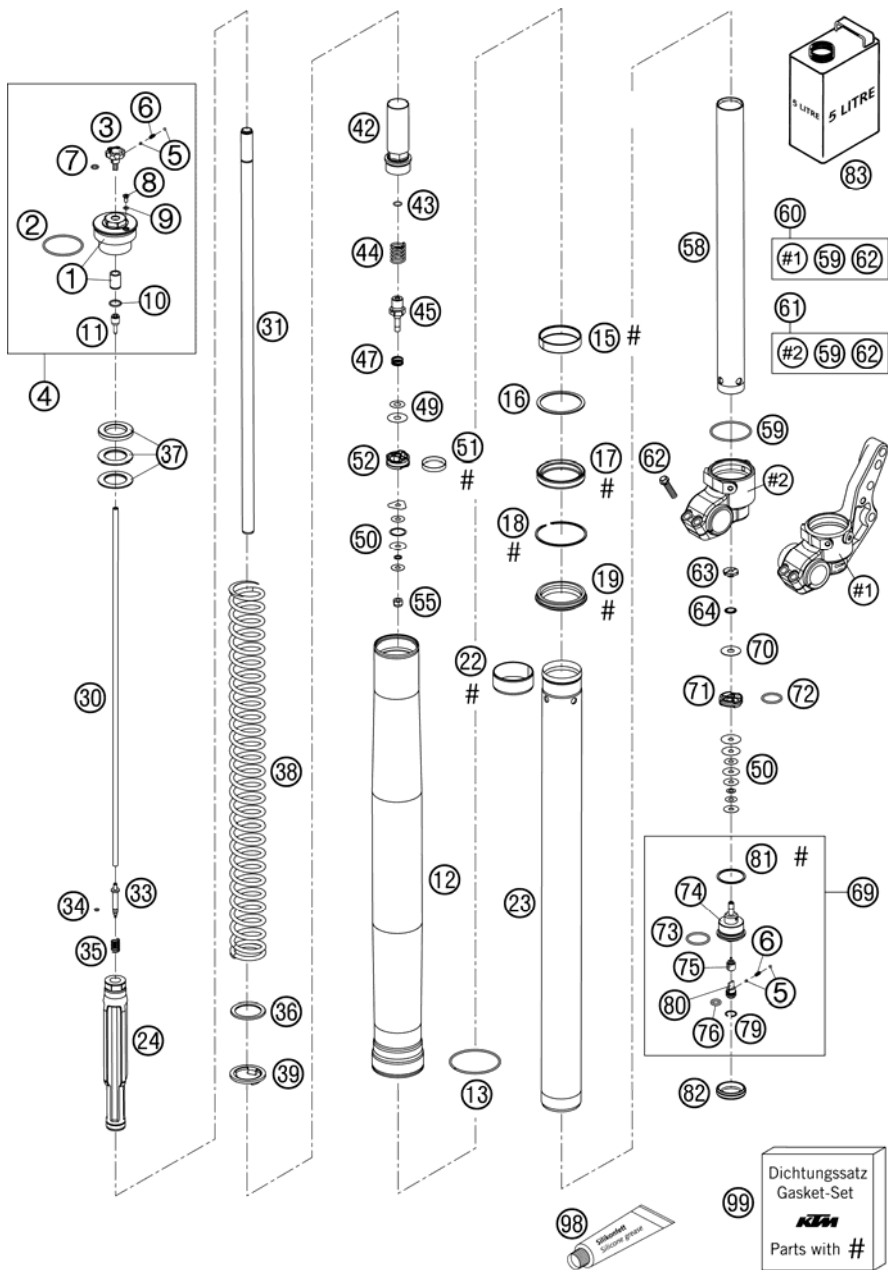
\* NEW PART

X AS REQUIRED



# FORK LEGS

# 640 LC4 SUPERMOTO PRESTIG EU 2006



| FIG | PART NUMBER | DESCRIPTION                    | QTY |
|-----|-------------|--------------------------------|-----|
| 73  | 35480320    | O-RING NBR 24X2                | 2   |
| 74  | 48600152    | TAP COMPRESSION                | 2   |
| 75  | 48600190    | NEEDLE COMPRESSION 2003        | 2   |
| 76  | 48600049    | O-RING NBR 8X2                 | 2   |
| 79  | 48600051    | LOCK WASHER RB12               | 2   |
| 80  | 48600034    | COMPRESSION ADJ. SCREW         | 2   |
| 81  | 48600004    | COPPER WASHER 29,5X33,5X1      | 2   |
| 82  | 48600141    | RUBBER CAP D=35MM              | 2   |
| 83  | 48600401S1  | FORK OIL SAE 5 2005            | 1   |
| 98  | T511        | SILICONE GREASE F. DUST STRI   | 1   |
| 99* | R14013      | REPAIR-KIT GASKET 4860 MXMA 06 | 1   |

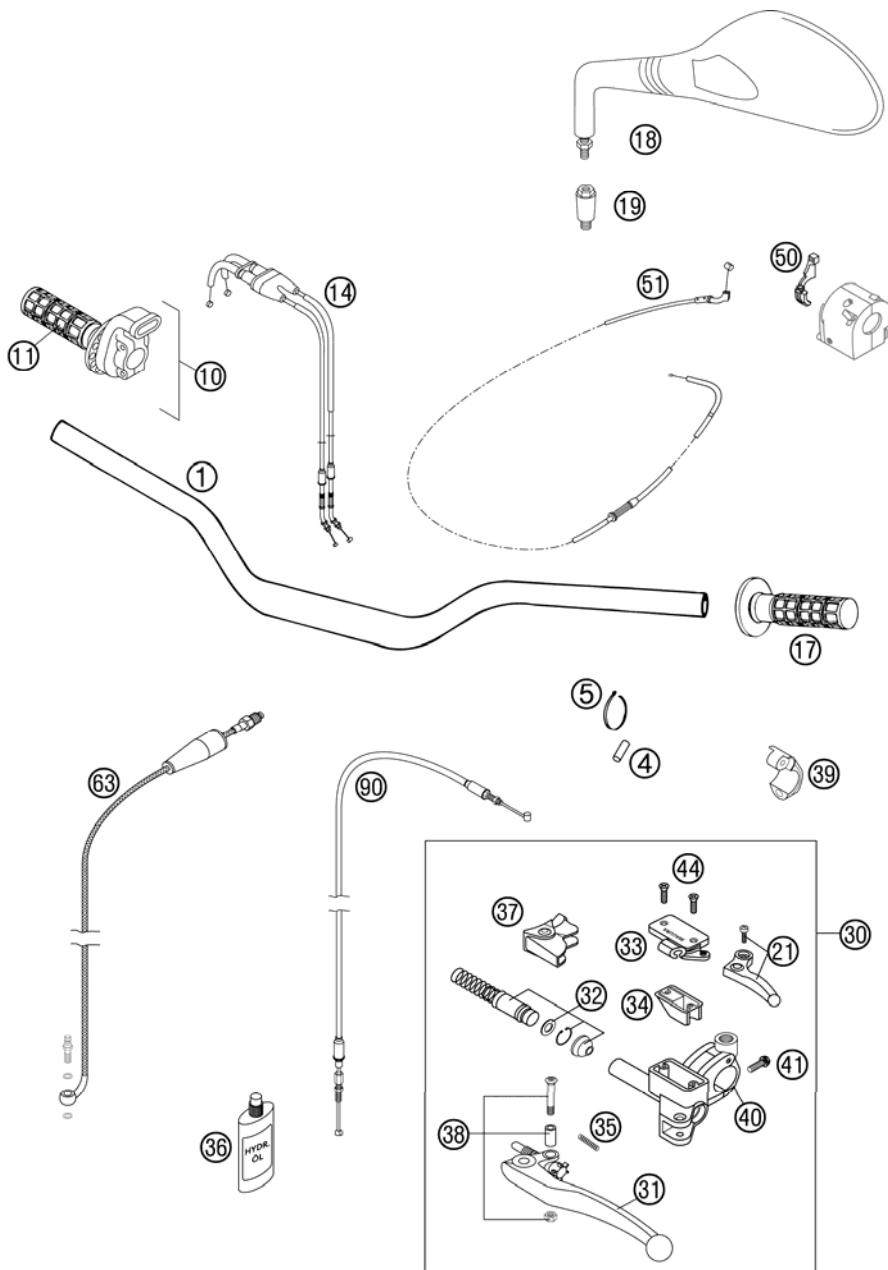
05584016 / C065840106

\* NEW PART

X AS REQUIRED

# HANDLEBAR, CONTROLS

# 640 LC4 SUPERMOTO PRESTIG EU 2006



| FIG | PART NUMBER | DESCRIPTION                    | QTY |
|-----|-------------|--------------------------------|-----|
| 1   | 58402001000 | HANDLEBAR ALU LC4, ADVENTURE02 | 1   |
| 4*  | 58007016300 | HOSE 7x11x30MM                 | 1   |
| 5   | 44011076200 | CABLE TIE 200/3,6MM BLACK      | 1   |
| 10  | 58702010000 | THROTTLE GRIP CPL. DUKE 2000   | 1   |
| 11  | 58302003100 | TWIST GRIP COVER PERFORATED    | 1   |
| 14  | 58402091600 | THROTT.CABLE "OPEN-CLOSE" 2000 | 1   |
| 17  | 58302052100 | FIXED GRIP L/S PERFORATED      | 1   |
| 18  | 58712040100 | REAR MIRROR L/S 05             | 1   |
| 18  | 58712041100 | REAR MIRROR R/S 05             | 1   |
| 19  | 58412040050 | SUPPORT FOR MIRROR LC4 '98     | 1   |
| 21  | 59002047000 | DECO.LEVER CPL. RACING 2000    | 1   |
| 30  | 58402030000 | MASTER CYLINDER CPL. LC4 03    | 1   |
| 31  | 60002031000 | CLUTCH LEVER LONG CPL. 2003    | 1   |
| 32  | 50302032000 | REP.SET PISTON CLUT.HYDR. '98  | 1   |
| 33  | 59002033000 | COVER HYD.CLUTCH RACING 2000   | 1   |
| 34  | 50302034000 | RUBBER FOR RESERVOIR '98       | 1   |
| 35  | 59002035000 | SPRING FOR CLUTCH LEVER 03     | 1   |
| 36  | 50302036200 | OIL FOR HYD. CLUTCH 75ML       | 1   |
| 37  | 50302037000 | PROTECT.CAP FOR LEVER PERCH'98 | 1   |
| 38  | 50302038000 | LEVER SCREW CPL. 125-200 '98   | 1   |
| 39  | 50302030150 | CLAMP WITH PIN 2000            | x   |
| 40  | 59002044000 | CLAMP MIRROR WITH PIN          | 1   |
| 41  | 0015060203  | HH COLLAR SCREW M 6X20 WS=8    | 1   |
| 44  | 0965040123  | FLAT HEAD SCREW DIN0965-M 4X12 | 2   |
| 50  | 58402050000 | CHOKE LEVER LC4 2002           | 1   |
| 51  | 58402095100 | CHOKE CABLE F. MIKUNI LC4 02   | 1   |
| 63  | 58432063000 | CLUTCH PIPE LC4/SXC/SM 03      | 1   |
| 90  | 58402094000 | DECOMPR. CABLE LC4 03          | 1   |

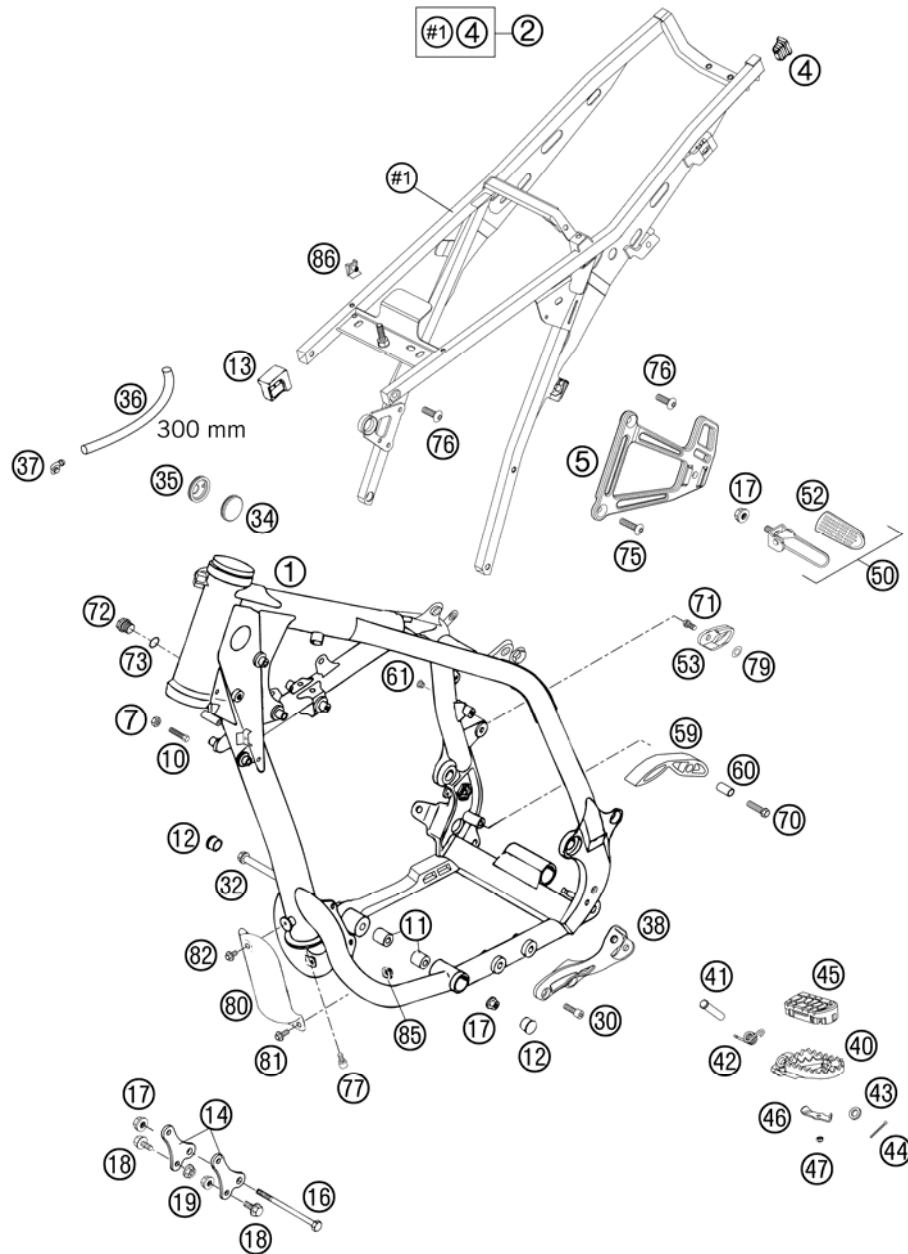
065840206 / C065840206

\* NEW PART

X AS REQUIRED

# FRAME, SUB FRAME

# 640 LC4 SUPERMOTO PRESTIG EU 2006



| FIG | PART NUMBER   | DESCRIPTION                    | QTY |
|-----|---------------|--------------------------------|-----|
| 1   | 5840310104430 | FRAME CPL. "EE05" 640 SM 05    | 1   |
| 2   | 5860300204430 | SUBFRAME CPL. "P5" 05          | 1   |
| 4   | 58303002090   | PLUG 12 X 17 MM                | 2   |
| 5   | 5810300420030 | FOOTREST BRACKET R/S BLACK     | 1   |
| 5   | 5870304800030 | FOOTREST BRACKET RE.L/S BLA.04 | 1   |
| 7   | 0934080003    | HEXAGON NUT DIN0934-M 8        | 2   |
| 10  | 59001037000   | SPECIAL SCREW M8X26 WS=10      | 2   |
| 11  | 58003012000   | SPACER ROLLER 10,3X20X22       | 2   |
| 12  | 71001012100   | PVC CAP D=22MM                 | 2   |
| 13  | 58307015000   | TANK SUPPORT '93               | 2   |
| 14  | 58303055000   | ENGINE SUPPORT AGW '94         | 2   |
| 16  | 58403013000   | ENGINE BRAC.SCREW M10X110 WS13 | 1   |
| 17  | 54630044000   | COLLAR NUT M10 WS=13           | 4   |
| 18  | 49109481052   | HH COLLAR SCREW M 8X16 WS=13   | 4   |
| 19  | 54310086200   | SELF LOCKING NUT M8 10.9       | 4   |
| 30  | 0912100250    | AH SCREW DIN6912-M10X25,10.9,L | 2   |
| 32  | 58403014000   | ENGINE BRAC.SCREW M10X160 WS13 | 1   |
| 34  | 54606004000   | PLUG 37MM                      | 1   |
| 35  | 54606004100   | PLUG 37MM PERFORATED 04        | 1   |
| 36  | 55007016001   | PVC-HOSE 7X10 PER METER        | 1   |
| 37  | 50303089000   | ANGEL PIECE '97                | 1   |
| 38* | 58403038100   | FOOTREST BRACKET LEFT ALU 05   | 1   |
| 40  | 59003040250   | FOOT PED L/S SILVER 02         | 1   |
| 40  | 59003041250   | FOOT PED R/S SILVER 02         | 1   |
| 41  | 54803044000   | BOLT FOR FOOT PED 03           | 1   |
| 42  | 54603041000   | FOOTREST SPRING L/S & R/S      | 2   |
| 43  | 0125100003    | WASHER DIN0125-A10,5           | 2   |
| 44  | 0094032253    | PIN DIN0094-3,2X25 STEEL       | 2   |
| 45  | 60003040010   | FOOTREST RUBBER FRONT L/S 03   | 1   |
| 45  | 60003041010   | FOOTREST RUBBER FRONT R/S 03   | 1   |
| 46  | 60003044010   | CLOSING PANEL FRONT L/S R/S 03 | 2   |
| 47  | 0985050003    | SELF LOCKING NUT DIN0985-M 5   | 2   |
| 50  | 58303050044   | FOOTREST REAR L/S CPL. '95     | 1   |
| 50  | 58303150044   | FOOT REST REAR R/S CPL. '95    | 1   |
| 52  | 58303051000   | FOOTREST RUBBER L/S&R/S DUKE95 | 2   |
| 53  | 58604069000   | CHAIN SLIDING PIECE 05         | 1   |

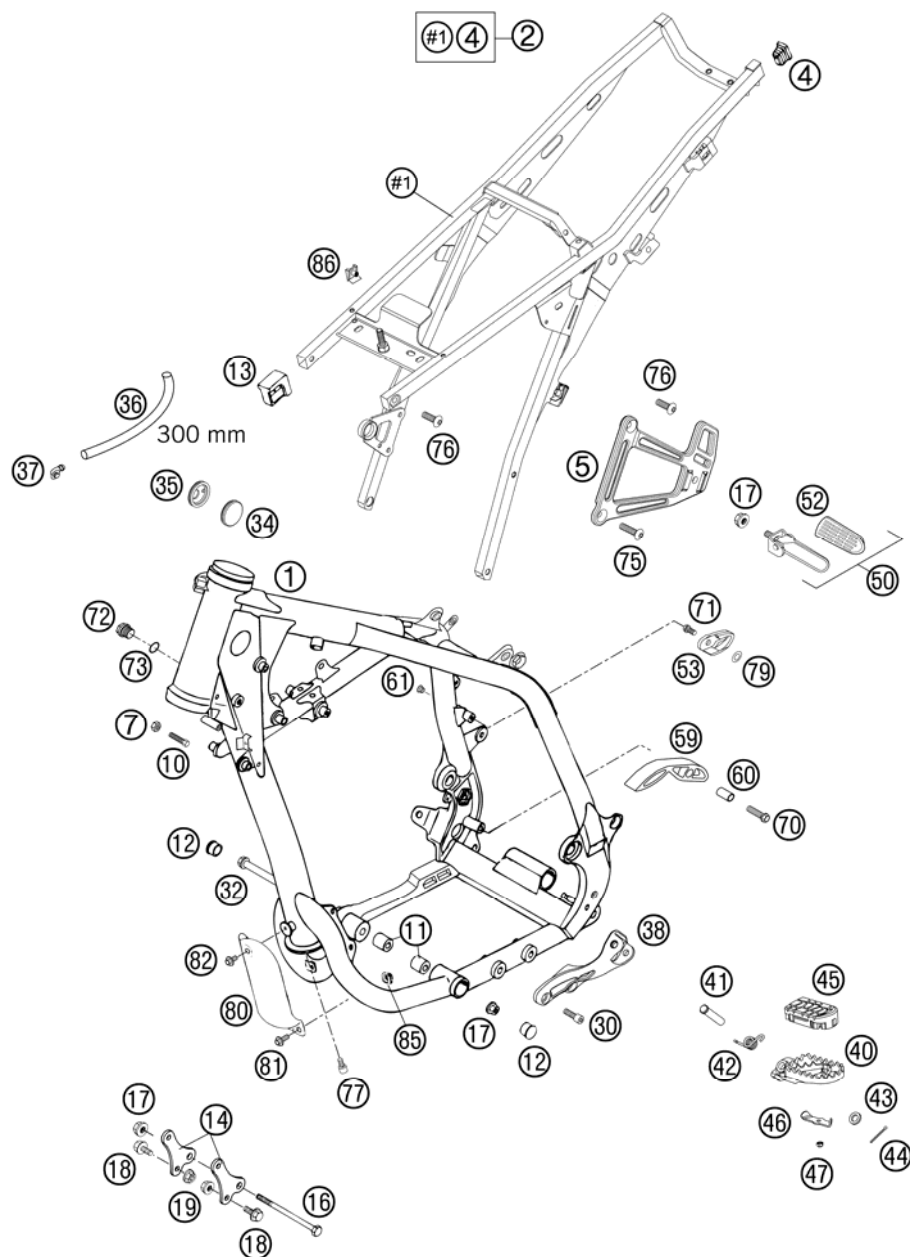
05584035 / C065840305

\* NEW PART

X AS REQUIRED

# FRAME, SUB FRAME

# 640 LC4 SUPERMOTO PRESTIG EU 2006



| FIG | PART NUMBER | DESCRIPTION | QTY                           |   |
|-----|-------------|-------------|-------------------------------|---|
|     | 59          | 51103053000 | CHAIN SLIDING PIECE BELOW '97 | 1 |
|     | 60          | 51103053051 | BUSHING 8,2X10X20             | 1 |
|     | 61          | 54403135000 | PLASTIC CAP SFL10             | 1 |
|     | 70          | 0015080303  | HH COLLAR SCREW M 8X30 WS=10  | 1 |
|     | 71          | 0015080163  | HH COLLAR SCREW M 8X16 WS=10  | 1 |
|     | 72          | 0910160153  | PLUG DIN0910-M16X1,5          | 1 |
|     | 73          | 0603162220  | CU-SEAL RING 16X22X2          | 1 |
|     | 75          | 54510052200 | AH SCREW 8X29 FL.HEAD 04      | 2 |
|     | 76          | 54510052100 | SPROCKET SCREW-AH M8X26 WS=6  | 4 |
|     | 77          | 0984060103  | AH SCREW DIN7984-M 6X10       | 1 |
|     | 79          | 0125080003  | WASHER DIN0125-A 8,4          | 1 |
|     | 80          | 58303010000 | COVER OIL FILTER '94          | 1 |
|     | 81          | 0014060153  | HH COLLAR SCREW M 6X15 WS=8   | 2 |
|     | 82          | 0014060103  | HH COLLAR SCREW M 6X10 WS=8   | 1 |
|     | 85          | 50235033300 | SNAP-NUT HOLDER M6 KP142      | 2 |
|     | 86          | 54603048100 | RANGE CHANGE METAL NUT M6     | 4 |

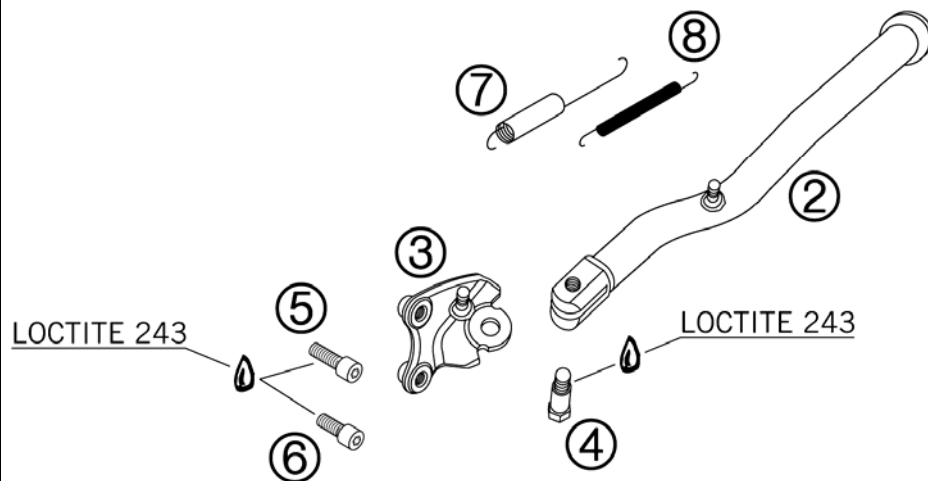
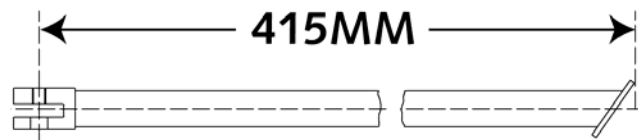
05584035 / C065840305

\* NEW PART

X AS REQUIRED

# SIDE STAND

640 LC4 SUPERMOTO PRESTIG EU 2006

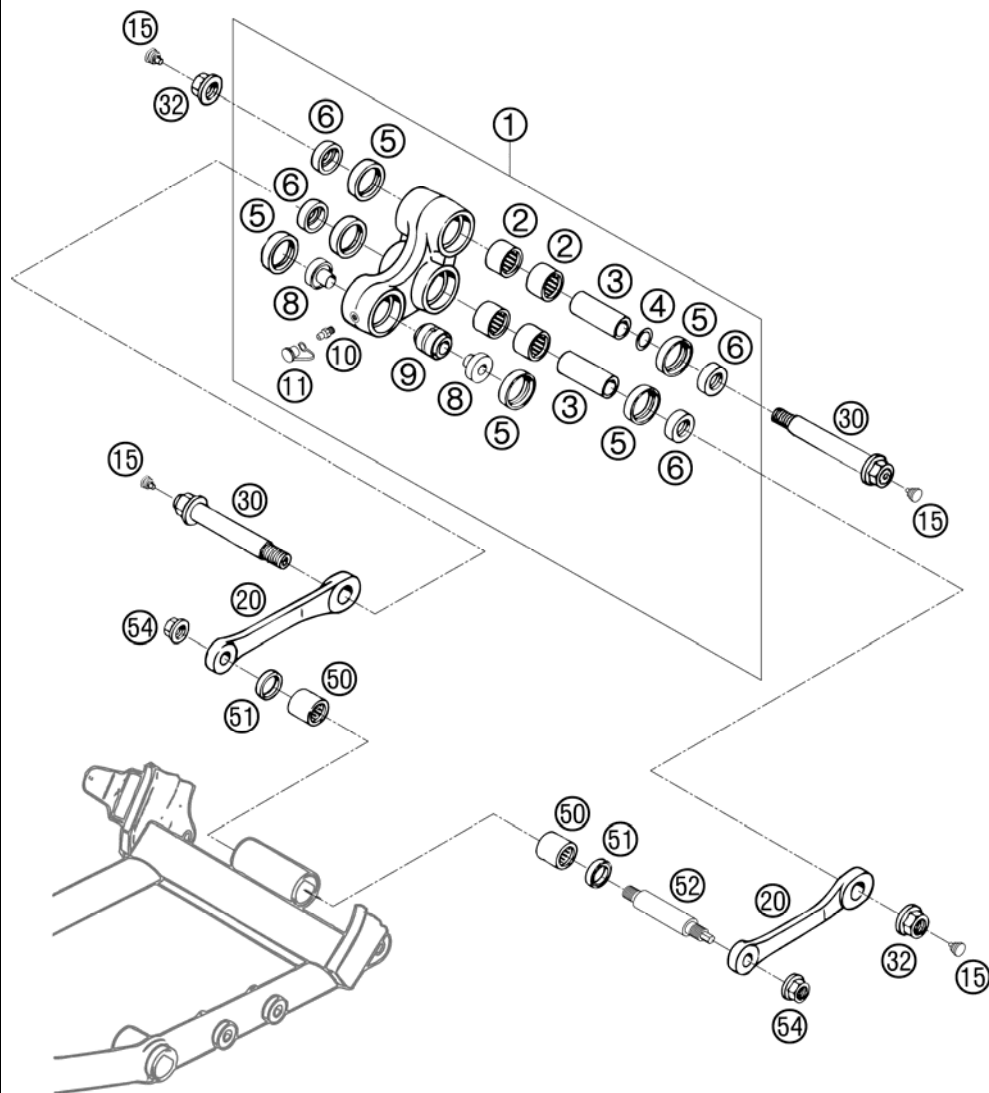


| FIG | PART NUMBER   | DESCRIPTION                    | QTY |
|-----|---------------|--------------------------------|-----|
| 2   | 5840302380030 | SIDE STAND SM BLACK 05         | 1   |
| 3   | 58403026600   | SIDESTAND BRACKET CPL. 03      | 1   |
| 4   | 58203027200   | SCREW FOR SIDE STAND M10X26,7  | 1   |
| 5   | 0912100303    | AH SCREW DIN0912-M10X30        | 1   |
| 6   | 0912100256    | AH SCREW DIN0912-M10X25 10.9   | 1   |
| 7   | 58403030100   | SIDE ST.SPRING LO. W.RUBBER 03 | 1   |
| 8   | 58403030000   | SIDE STAND SPRING D=7,7MM '97  | 1   |

065840306 / C065840306

\* NEW PART

X AS REQUIRED



| FIG | PART NUMBER | DESCRIPTION                    | QTY |
|-----|-------------|--------------------------------|-----|
| 1   | 58303080244 | ROCKER ARM CPL. FORGED LC4 '99 | 1   |
| 2   | 54603097000 | NEEDLE BUSH HK 2016            | 4   |
| 3   | 54603081000 | BUSHING SLEEVE 15 X 20 X 48    | 2   |
| 4   | 54603090010 | STEEL WASHER 15,2X19X0,1       | x   |
| 4   | 54603090020 | STEEL WASHER 15,2X19X0,2       | x   |
| 4   | 54603090030 | STEEL WASHER 15,2X19X0,3       | x   |
| 5   | 0760253270  | SHAFT SEAL RING 25X32X7        | 6   |
| 6   | 58303090000 | SPAC.F.SHAFT SEALRING 15X25X11 | 4   |
| 8   | 58303085100 | BUSHING FOR BEARING LINK '95   | 2   |
| 9   | 54203083050 | LINK BEARING 12X25X22(16-1061) | 1   |
| 10  | 72003035000 | GREASE FITTING M6 STRAIGHT     | 1   |
| 11  | 53003099000 | CAP WITH LOOP RED              | 1   |
| 15  | 54403135000 | PLASTIC CAP SFL10              | 4   |
| 20  | 58303083000 | LINKAGE ARM L=127MM '93        | 2   |
| 30  | 54603182044 | BOLT CPL.<br>15X98MM / M14X1,5 | 2   |
| 32  | 54603015000 | SELF LOCKING NUT M14X1,5 WS=19 | 2   |
| 50  | 56503195100 | NEEDLE BEARING HK 1816         | 2   |
| 51  | 0760182442  | SHAFT SEAL RING 18X24X4        | 2   |
| 52  | 58303084100 | BUSHING BOLT CONNECTING BAR'96 | 1   |
| 54  | 49103415000 | SELF LOCK. NUT M12X1,75 WS=19  | 2   |

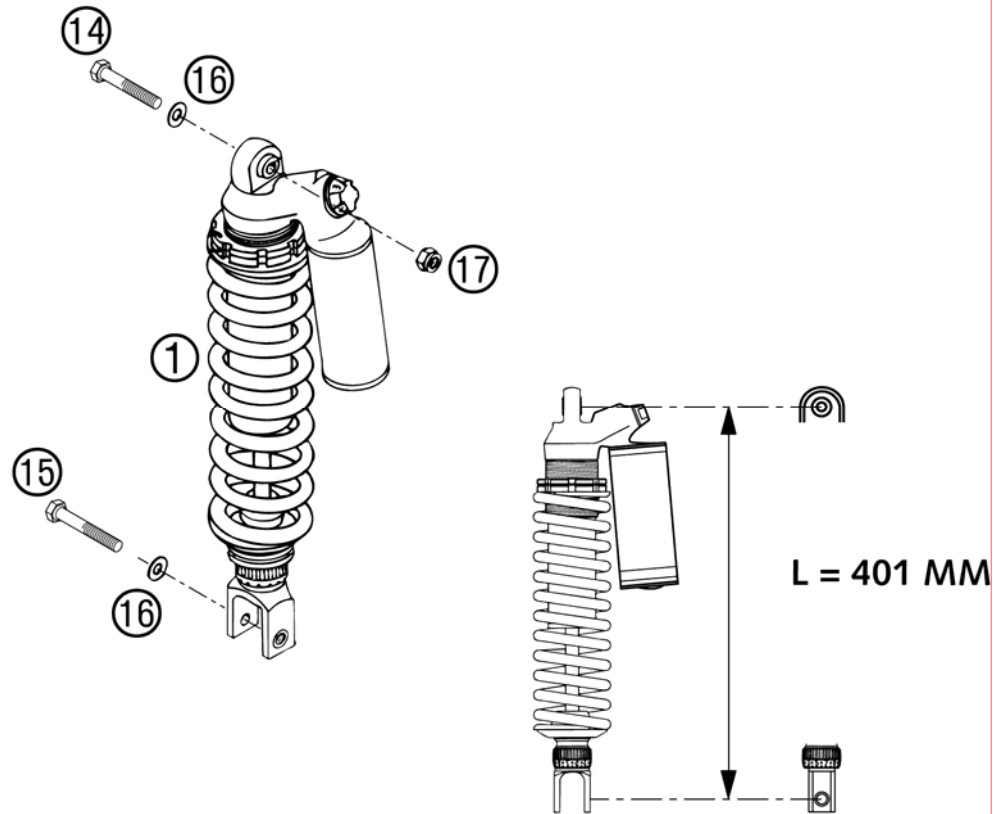
05583040 / C065840401

\* NEW PART

X AS REQUIRED

# SHOCK ABSORBER

640 LC4 SUPERMOTO PRESTIG EU 2006



| FIG | PART NUMBER | DESCRIPTION                   | QTY |
|-----|-------------|-------------------------------|-----|
| 1*  | 01187B02    | MONOSHOCK 4681 BAVP SM/SMC 06 | 1   |
| 14  | 56503086000 | SPECIAL SCREW M10X47 WS=17    | 1   |
| 15  | 56503093000 | SPECIAL SCREW M10X55 WS=17    | 1   |
| 16  | 0125100003  | WASHER DIN0125-A10,5          | 2   |
| 17  | 54310086100 | SELF LOCKING NUT M10 CU WS=14 | 1   |

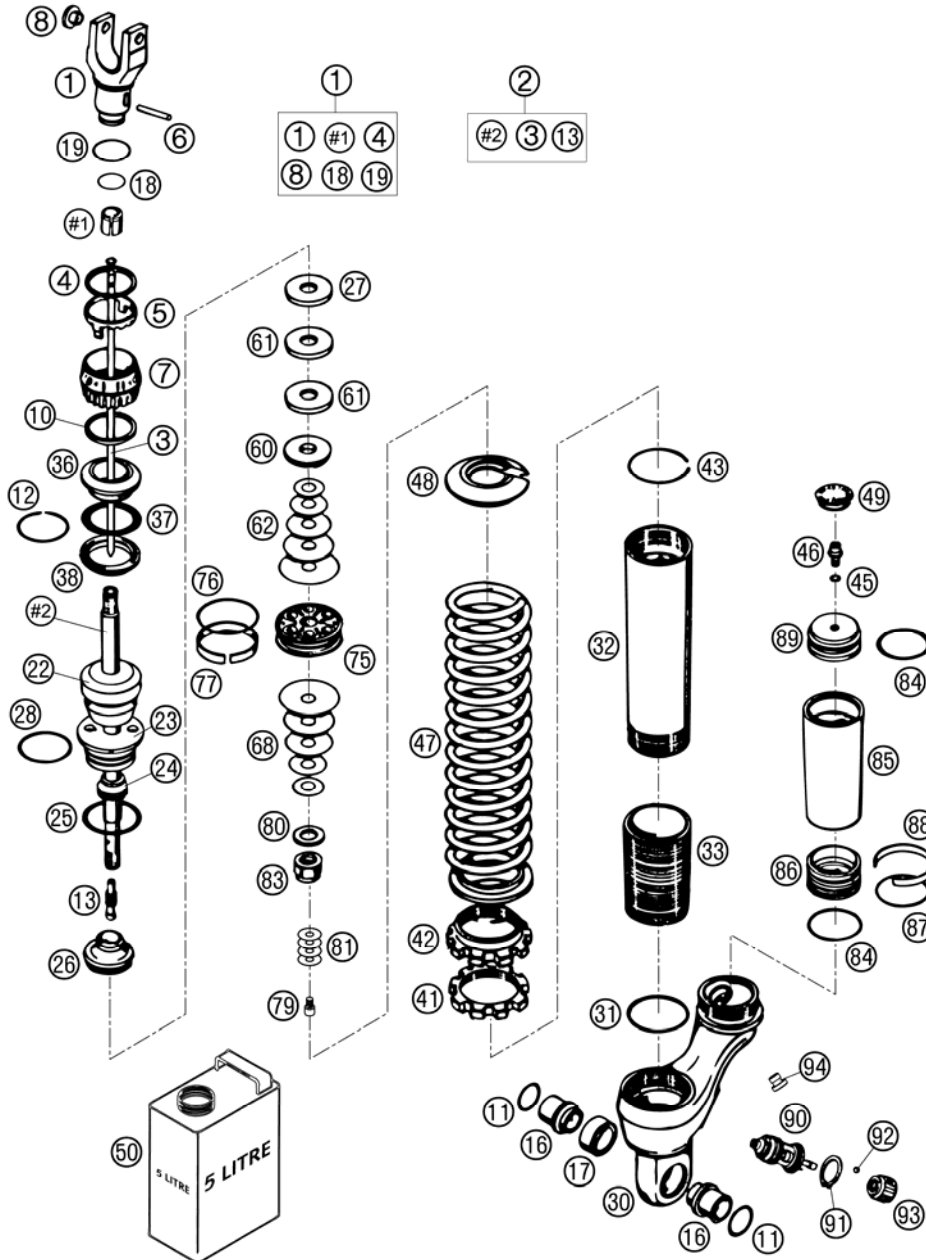
05584045 / C065840405

\* NEW PART

X AS REQUIRED

# MONOSHOCK DISASSEMBLED

# 640 LC4 SUPERMOTO PRESTIG EU 2006



| FIG | PART NUMBER | DESCRIPTION                  | QTY |
|-----|-------------|------------------------------|-----|
| 1*  | 46811558S   | SHOCK ABS. BOTTOM-FORK L75B  | 1   |
| 2*  | 46811560S2  | PISTON ROD D=14 BA M14X1     | 1   |
| 3   | 46811545S   | NEEDLE CPL. D=4 BA, L=183    | 1   |
| 4   | 46811222    | O-RING 36X0,5                | 1   |
| 5   | 46811263    | WASHER                       | 1   |
| 6   | 46811261    | PIN 4X35                     | 1   |
| 7   | 46811262    | ADJ. KNOB D=41               | 1   |
| 8   | 46811205    | ADAPTOR-BUSH M10x1,50, D=15  | 1   |
| 10  | 46811221    | O-RING 35X3                  | 1   |
| 11  | 46811050    | SEAL KGW                     | 2   |
| 12  | 46811268    | CIRCLIP 22X1,2               | 1   |
| 13  | 46811259    | NEEDLE SEAT 5X17,25          | 1   |
| 16  | 46811078    | ADAPTOR KGW 10X24            | 2   |
| 17  | 46811027    | BUSHING KGW 1525             | 1   |
| 18  | 46811499    | O-RING NBR 21X2              | 1   |
| 19  | 46811500    | O-RING NBR 32X1,5            | 1   |
| 22  | 46810365    | BUMP RUBBER WP55 WHITE       | 1   |
| 23  | 46811045    | SCREW CAP M47,4, H=22,5      | 1   |
| 24  | 46811044    | DUST SEAL 1424               | 1   |
| 25  | 46810325    | O-RING 35X5                  | 1   |
| 26  | 46811540S1  | ADAPTER CPL. D=46, H=23 BA   | 1   |
| 27  | 46811002    | SPACER 35X14X2               | 1   |
| 28  | 46811042    | O-RING 40,00X2,00 WP         | 1   |
| 30  | 46811481    | SHOCK ABSORB. TOP H-35/79 84 | 1   |
| 31  | 46810016    | O-RING NBR 48X2              | 1   |
| 32  | 46810094    | TUBE L=185                   | 1   |
| 33  | 46810346    | THREADED BUSH L=60 BLACK     | 1   |
| 36  | 46811561    | BUSHING RING D=55X19         | 1   |
| 37  | 46811512    | O-RING NBR 32X8              | 1   |
| 38  | 46811511    | SUPPORT RING D=55X7,5        | 1   |
| 41  | 46810109    | COUNTERNUT                   | 1   |
| 42  | 46810108    | ADJUSTING NUT                | 1   |
| 43  | 46810010    | CIRCLIP 49X1,5               | 1   |
| 45  | 46810893    | O-RING NBR 5,28X1,78         | 1   |
| 46  | 36120151    | SCREW PLUG M5X6              | 1   |
| 47  | 91010110    | SPRING 70-260 (59), D=12     | 1   |

065840406 / C065840406

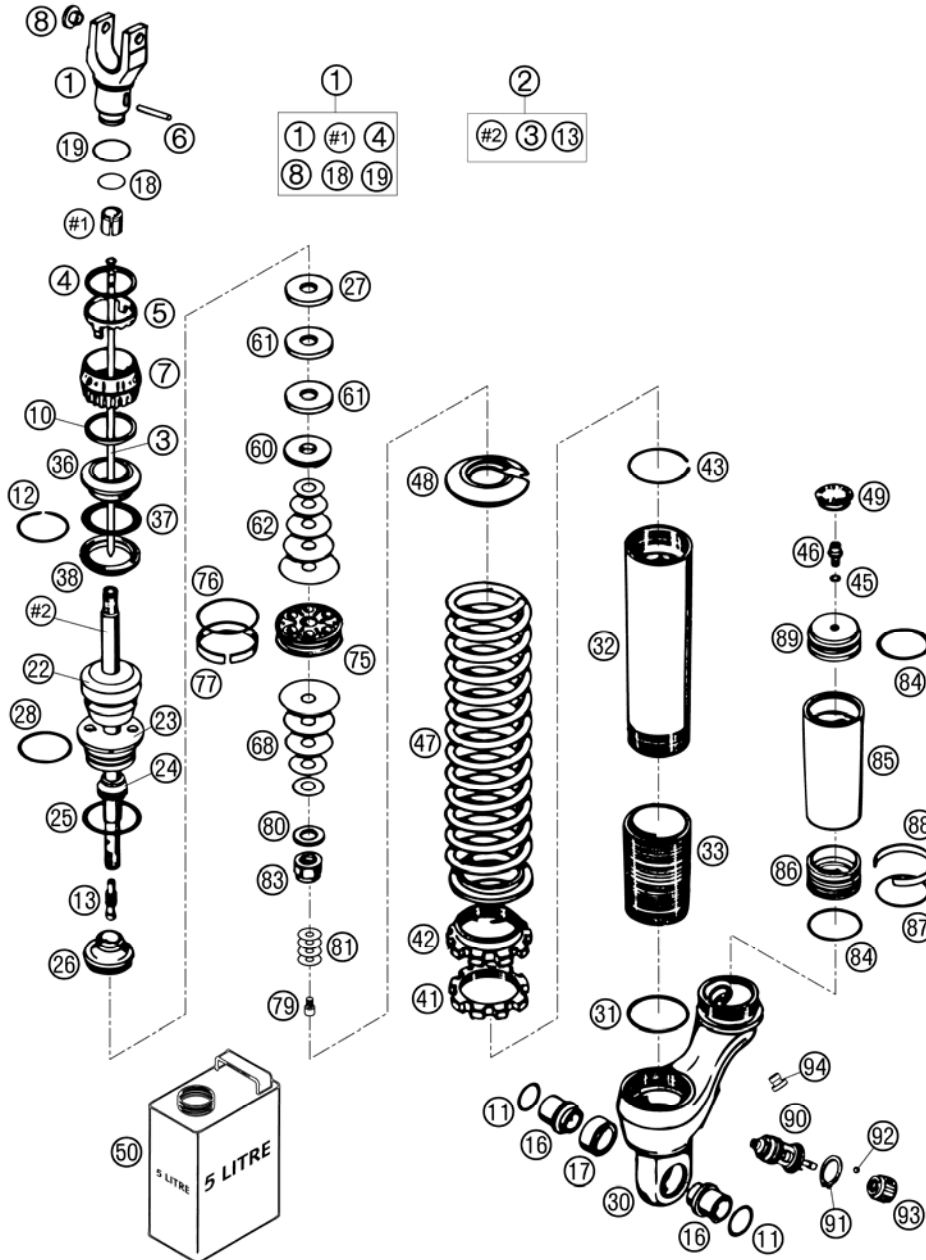
\* NEW PART

X AS REQUIRED



# MONOSHOCK DISASSEMBLED

# 640 LC4 SUPERMOTO PRESTIG EU 2006



| FIG | PART NUMBER | DESCRIPTION                            | QTY |
|-----|-------------|--|-----|
| 47  | 91010111    | SPRING 75-260 (59)                     | x   |
| 47  | 91010154    | SPRING WP 80-260                       | x   |
| 48  | 46810063    | SPRING RETAINER D=58,H=13,L=15         | 1   |
| 49  | 46811208    | RUBBER CAP "DO NOT OPEN"               | 1   |
| 50* | 50180466S1  | SHOCK ABSORBER FLUID 5 LT 05<br>0,33 L | 1   |
| 60  | 46811216    | REBOUND BUSH PLANE H=6,5               | 1   |
| 61  | 46811005    | SPACER 35X14X10                        | 2   |
| 62  | 46810491    | SHIM 12X26X0,20                        | 1   |
| 62  | 46810492    | SHIM 12X28X0,20                        | 1   |
| 62  | 46810493    | SHIM 12X30X0,20                        | 1   |
| 62  | 46810498    | SHIM 12X40X0,20                        | 1   |
| 62  | 46810507    | SHIM 12X40X0,25                        | 2   |
| 62  | 46810521    | SHIM 12X32X0,15                        | 1   |
| 62  | 46810522    | SHIM 12X34X0,15                        | 1   |
| 62  | 46810523    | SHIM 12X36X0,15                        | 1   |
| 62  | 46810524    | SHIM 12X38X0,15                        | 1   |
| 62  | 46810636    | BACKPLATE 12X16X0,30                   | 1   |
| 68  | 46810490    | SHIM 12X24X0,20                        | 1   |
| 68  | 46810492    | SHIM 12X28X0,20                        | 1   |
| 68  | 46810519    | SHIM 12X28X0,15                        | 1   |
| 68  | 46810521    | SHIM 12X32X0,15                        | 4   |
| 68  | 46810638    | BACKPLATE 12X18X0,30                   | 1   |
| 68  | 46811636    | PRESSURE RING 32X28,25X0,30            | 1   |
| 75  | 46811218    | PISTON 6+6XD=7 BA                      | 1   |
| 76  | 46810035    | O-RING VITON 37,82X1,78                | 1   |
| 77  | 46811206    | PISTON RING 8X46                       | 1   |
| 79  | 46180052    | BLEED SCREW M6X0,5                     | 1   |
| 80  | 46811258    | RING 12X24X2,5                         | 1   |
| 81  | 40540401    | SHIM 6X14X0,1                          | 1   |
| 81  | 40540402    | SHIM 6X16X0,1                          | 1   |
| 81  | 40540403    | SHIM 6X18X0,1                          | 4   |
| 81  | 40540448    | BACKPLATE 6X8,5X0,30                   | 1   |
| 83  | 46180060    | PISTON ROD NUT CPL. M12X1              | 1   |
| 84  | 46810340    | O-RING NBR 45X2                        | 2   |
| 85  | 46811453    | RESERVOIR SCREW L=123 GREY             | 1   |

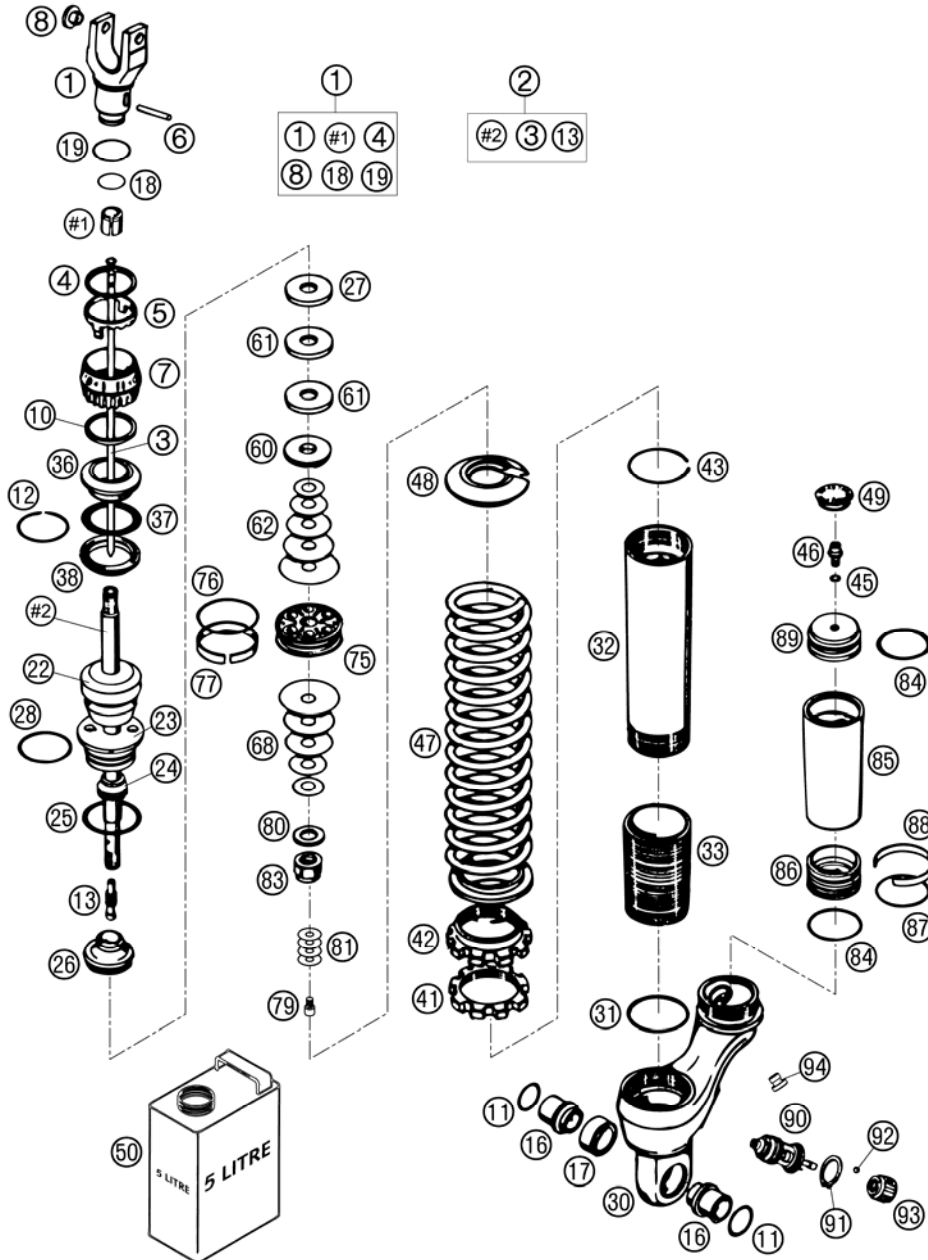
065840406 / C065840406

\* NEW PART

X AS REQUIRED

# MONOSHOCK DISASSEMBLED

640 LC4 SUPERMOTO PRESTIG EU 2006



| FIG | PART NUMBER | DESCRIPTION                    | QTY |
|-----|-------------|--------------------------------|-----|
| 86  | 46810322    | SEPARATION PISTON D=46         | 1   |
| 87  | 46811043    | O-RING VITON 35X5              | 1   |
| 88  | 46810324    | PISTON RING 3,9X1,5X138        | 1   |
| 89  | 46811209    | RESERVOIR CAP D=46             | 1   |
| 90  | 46811539S   | CC-COMPRE.DAMPING CONTROL CPL. | 1   |
| 91  | 46810334    | LOCK WASHER JV24               | 1   |
| 92  | 46810333    | STEEL-BALL D=4,75              | 1   |
| 93  | 46811272S   | ADJUSTING KNOB CC-MECH. CPL.   | 1   |
| 94  | 50180095    | BLEED PLUG R 1/8               | 1   |

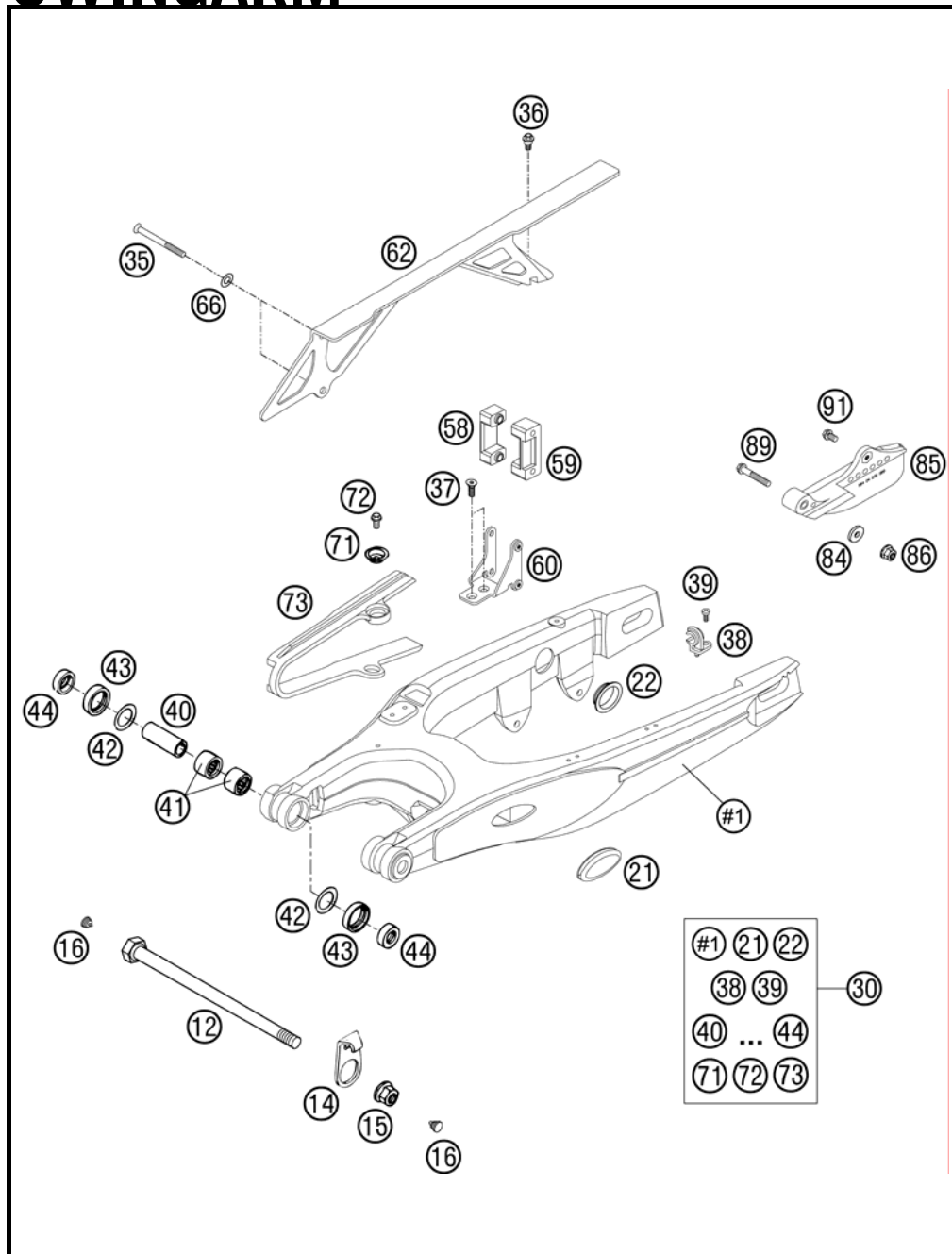
065840406 / C065840406

\* NEW PART

X AS REQUIRED

# SWINGARM

# 640 LC4 SUPERMOTO PRESTIG EU 2006

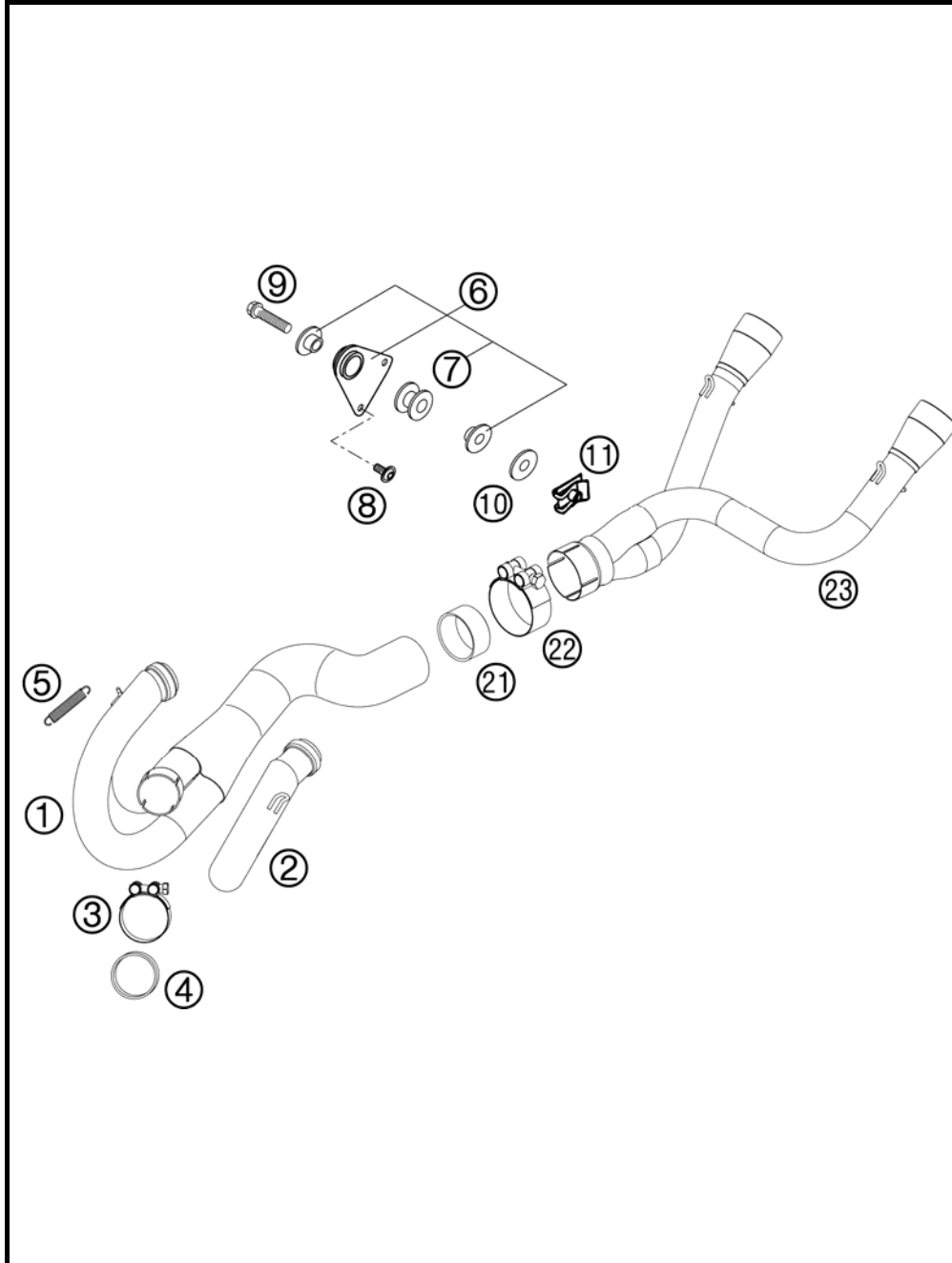


| FIG | PART NUMBER   | DESCRIPTION                    | QTY |
|-----|---------------|--------------------------------|-----|
| 12  | 54603014100   | SWINGARM BOLT KPL. L=253       | 1   |
| 14  | 50230211000   | BRAKE HOSE GUIDE '89           | 1   |
| 15  | 54603015000   | SELF LOCKING NUT M14X1,5 WS=19 | 1   |
| 16  | 54403135000   | PLASTIC CAP SFL10              | x   |
| 21  | 58404041000   | CLOSING COVER SWINGARM SM 03   | 2   |
| 22  | 58404041100   | CLOSING COVER ROUND 03         | 2   |
| 30* | 58404130144   | SWINGARM CPL. SM 05            | 1   |
| 35  | 0991060553    | FLAT HEAD SCREW DIN7991 M6X55  | 2   |
| 36  | 59001092050   | SPECIAL SCREW M6X12,5 WS=8     | 1   |
| 37  | 0991060163    | FLAT HEAD SCR. DIN7991-M 6X16  | 2   |
| 38  | 5461107610030 | RET. CLAMP F. BRAKE HOSE BLACK | 2   |
| 39  | 0009050103    | SPECIAL SCREW M 5,0X10         | 2   |
| 40  | 50203081700   | BUSHING SLEEVE 15X20X38,75     | 2   |
| 41  | 59004031000   | NEEDLE BUSH HK2012V            | 4   |
| 42  | 59004033100   | WASHER 20X32X0,8               | 2   |
| 43  | 0760253270    | SHAFT SEAL RING 25X32X7        | 4   |
| 44  | 54603090000   | BUCKET F.SHAFTSEALRING 15X25X9 | 4   |
| 58  | 58604067000   | CHAIN GUIDE INSIDE 05          | 1   |
| 59  | 58604068000   | CHAIN GUIDE OUTSIDE 05         | 1   |
| 60  | 58307068300   | SUPPORT F. CHAIN GUIDE 03      | 1   |
| 62  | 58404060000   | CHAINGUARD SM, DUKE 2002       | 1   |
| 66  | 58404060051   | WASHER F. CHAINGUARD SM 02     | 2   |
| 71  | 72210079000   | BUCKET                         | 2   |
| 72  | 0015060103    | HH COLLAR SCREW M 6X10 WS=8    | 2   |
| 73  | 58404066000   | CHAIN SLIDING GUARD SM 03      | 1   |
| 84  | 50232050001   | STEEL WASHER 6,4X17X3          | 1   |
| 85  | 58404070000   | CHAIN GUIDE CPL. REAR LC4 '98  | 1   |
| 86  | 56509064100   | SELF LOCKING NUT M6 10.9       | 1   |
| 89  | 0015060353    | HH COLLAR SCREW M 6X35 WS=8    | 1   |
| 91  | 0015060123    | HH COLLAR SCREW M 6X12 WS=8    | 1   |

05584047 / C065840407

\* NEW PART

X AS REQUIRED



| FIG | PART NUMBER   | DESCRIPTION                    | QTY |
|-----|---------------|--------------------------------|-----|
| 1   | 58605008000   | EXHAUST PIPE R/S 05            | 1   |
| 2   | 58405007400   | EXHAUST PIPE L/S 03            | 1   |
| 3   | 58405058100   | COLLECTOR CLAMP D=41MM 03      | 1   |
| 4   | 58405005100   | GRAPHIT RING 34X39X20MM 03     | 1   |
| 5   | 50305016000   | TEN.SPRING L=62MM EY.MOVEABLE  | 4   |
| 6   | 5830506504430 | BRACKET-PRE SILENCER CPL.BLACK | 1   |
| 7   | 54305068100   | DAMP. COMPONENT SILICONE GREY  | 1   |
| 8   | 0738060181    | COU.SUNK SCR. AH ISO7380 M6X18 | 2   |
| 9   | 0015080353    | HH COLLAR SCREW M 8X35 WS=10   | 1   |
| 10  | 51005067000   | INSOLATE WASHER 8,5X28X3       | 1   |
| 11  | 54603048000   | RANGE CHANGE METAL NUT M8      | 1   |
| 21  | 58605005000   | GRAPHIT RING 55X50X25 05       | 1   |
| 22  | 58605051000   | EXHAUST CLAMP D=57,5 MM 05     | 1   |
| 23  | 58605048000   | DISTRIBUTOR TUBE 05            | 1   |

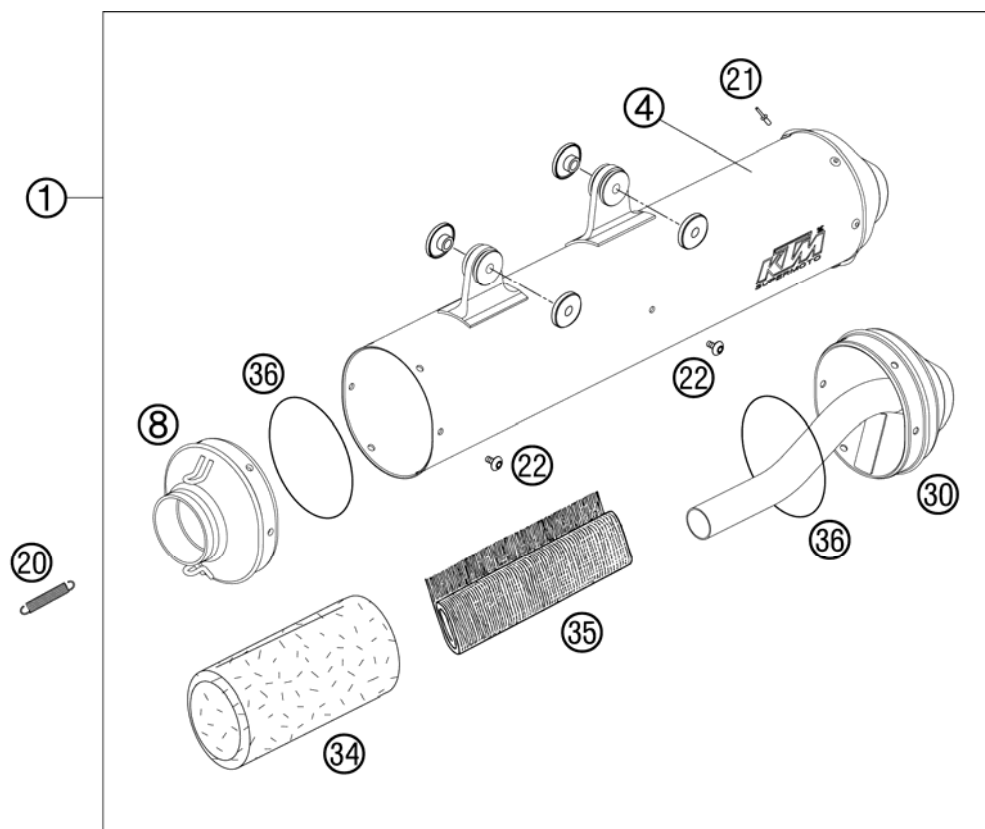
05584055 / C065840505

\* NEW PART

X AS REQUIRED

# SILENCER

## 640 LC4 SUPERMOTO PRESTIG EU 2006



| FIG | PART NUMBER | DESCRIPTION                    | QTY |
|-----|-------------|--------------------------------|-----|
| 1   | 58605083000 | SILENCER SM R/S 05             | 1   |
| 1   | 58605083100 | SILENCER SM L/S 05             | 1   |
| 4   | 58605083050 | SILENCER HOUSING CPL. R/S 05   | 1   |
| 4   | 58605083150 | SILENCER HOUSING CPL. L/S 05   | 1   |
| 8   | 58605083070 | SILENCER CONNECT. CAP CPL.SM05 | 1   |
| 10  | 0137060003  | SPRING WASHER DIN0137-B 6      | 4   |
| 11  | 54605069000 | BUSHING 7,5X12X28X7,8 '96      | 4   |
| 12  | 54605068000 | EXHAUST BRACKET RUBBER BLACK   | 2   |
| 13  | 54603048100 | RANGE CHANGE METAL NUT M6      | 4   |
| 14  | 0015060303  | HH COLLAR SCREW M 6X30 WS=8    | 4   |
| 20  | 50305016000 | TEN.SPRING L=62MM EY.MOVEABLE  | 4   |
| 21* | 0011480800  | DUMMY RIVET 4,8X 8 NIRO        | 6   |
| 22  | 58605083010 | SCREW TORX M5X10 05            | 8   |
| 30  | 58605083060 | SILENCER ENDCAP SM 05          | 1   |
| 34  | 58705078350 | STUFFINGYARN 350 GRAMM '99     | 1   |
| 35  | 59005078076 | STUFFING YARN 560X340X76G 04   | 1   |
| 36  | 0770740015  | O-RING 74,00X1,50 FKM 75SH     | 2   |

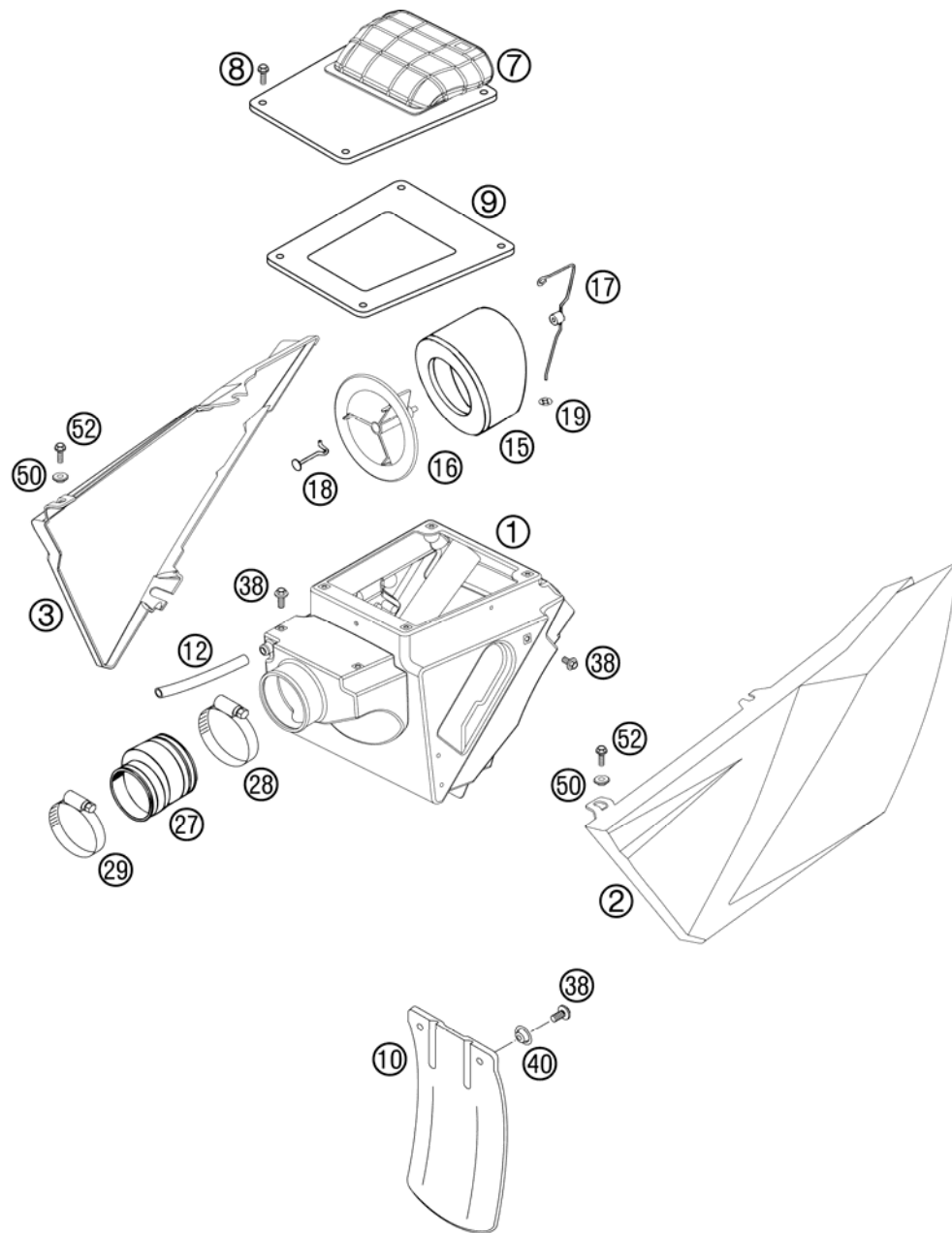
05584056 / C065840506

\* NEW PART

X AS REQUIRED

# AIR FILTER BOX

# 640 LC4 SUPERMOTO PRESTIG EU 2006



| FIG | PART NUMBER | DESCRIPTION                    | QTY |
|-----|-------------|--------------------------------|-----|
| 1   | 58306001500 | FILTER BOX 05                  | 1   |
| 2   | 58606003000 | FILTER BOX COVER L/S 05        | 1   |
| 3   | 58606004000 | FILTER BOX COVER R/S 05        | 1   |
| 7   | 58606002044 | FILTER BOX COVER CPL. 05       | 1   |
| 8   | 0015050123  | HH COLLAR SCREW M 5X12 WS=8    | 4   |
| 9   | 58606090000 | GASKET FILTER BOX COVER 05     | 1   |
| 10  | 54606010000 | SPLASH PROTECT.FOR FILTER BOX  | 1   |
| 12  | 57005020001 | HOSE 10X14 PER METER           | x   |
| 15  | 56506015100 | AIRFILTER                      | 1   |
| 16  | 58606016000 | FILTER CARRIER 05              | 1   |
| 17  | 58706017000 | HOLDING HANGER FILTER DUKE '99 | 1   |
| 18  | 58306017050 | HOOK FOR FILTER BRACKET        | 1   |
| 19  | 54606019004 | CLAMPING DISK KS4              | 1   |
| 27  | 58406026000 | AIR FILTER BOOT 400/640 LC4'97 | 1   |
| 28  | 55006028000 | HOSE CLAMP 60-80MM             | 1   |
| 29  | 51006027000 | HOSE CLAMP 50-70MM             | 1   |
| 38  | 0014060103  | HH COLLAR SCREW M 6X10 WS=8    | 6   |
| 40  | 72210079000 | BUCKET                         | 2   |
| 50  | 50308052000 | BUSH FOR SPOILER 6X11X16X5 MM  | 2   |
| 52  | 0015060163  | HH COLLAR SCREW M 6X16 WS=8    | 2   |

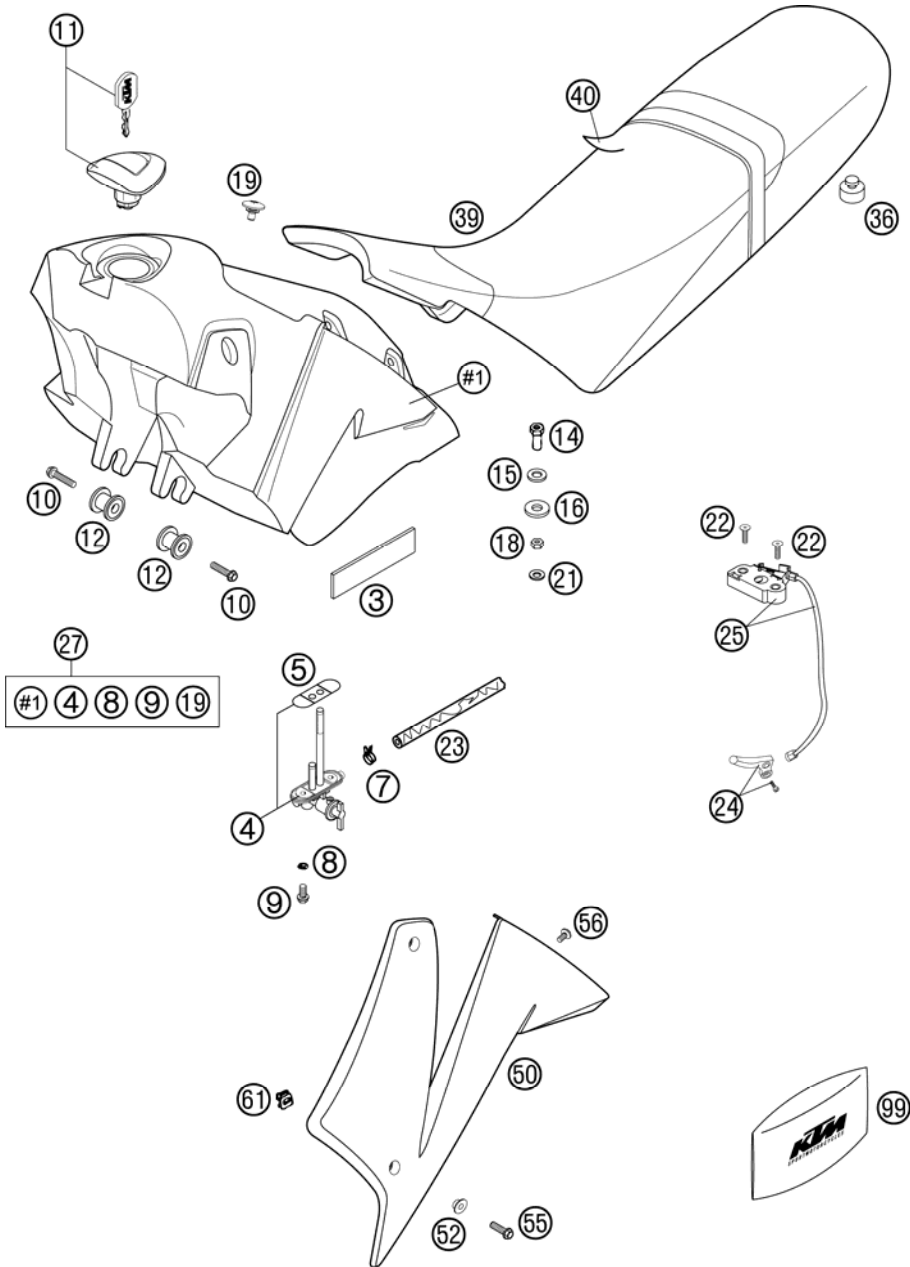
05584065 / C065840605

\* NEW PART

X AS REQUIRED

# TANK, SEAT, COVER

# 640 LC4 SUPERMOTO PRESTIG EU 2006



| FIG | PART NUMBER    | DESCRIPTION                    | QTY |
|-----|----------------|--------------------------------|-----|
| 3   | 54601097000    | RUBBER STRIP 85X25X3 MM        | 4   |
| 4   | 51107004000    | FUEL COCK CPL.MIKUNI CK-69 '96 | 1   |
| 5   | 58307106100    | GASKET FUEL COCK MIKUNI        | 1   |
| 7   | 58031005000    | CLAMP YDNAC 10128 12MM         | 2   |
| 8   | 0603061001     | CU-SEAL RING DIN7603-6X10X1    | 2   |
| 9   | 0015060163     | HH COLLAR SCREW M 6X16 WS=8    | 2   |
| 10  | 0015060253     | HH COLLAR SCREW M 6X25 WS=8    | 2   |
| 11  | 58407008100    | TANK PLUG LC4 USA '99          | 1   |
| 12  | 58307113250    | TANK BUSHING CPL. 12 X 34 X 25 | 2   |
| 14  | 58307014000    | SPECIAL NUT M8                 | 1   |
| 15  | 31004001100    | WASHER 10,5 X 21 X 3           | 1   |
| 16  | 51005067100    | INSULATE WASHER 12X28X3        | 1   |
| 18  | 0934080003     | HEXAGON NUT DIN0934-M 8        | 1   |
| 19  | 58407011100    | SCREW FOR SEAT M6X11,5/8       | 1   |
| 21  | 0125080003     | WASHER DIN0125-A 8,4           | 1   |
| 22  | 0991050253     | FLAT HEAD SCREW DIN7991-M 5X25 | 2   |
| 23  | 54435024001    | HOSE ID 7,5 PER METER          | x   |
| 24  | 58607051000    | SEAT LOCK LEVER CPL. 05        | 1   |
| 25  | 58607050044    | SEAT LOCK CPL. 05              | 1   |
| 27  | 58407013300    | FUEL TANK 11LI.CPL.LC4 BLACK   | 1   |
| 36  | 58407040060    | PLUG FOR SEAT                  | 2   |
| 39  | 58607040000    | SEAT SM 05                     | 1   |
| 40  | 58607040050    | SEAT COVER SM 05               | 1   |
| 50  | 5840805000030B | SPOILER L/S SM PRESTIGE 05     | 1   |
| 50  | 5840805100030B | SPOILER R/S SM PRESTIGE 05     | 1   |
| 52  | 50308052000    | BUSH FOR SPOILER 6X11X16X5 MM  | 3   |
| 55  | 0015060203     | HH COLLAR SCREW M 6X20 WS=8    | 3   |
| 56  | 0014060133     | HH COLLAR SCREW M 6X13 WS=8    | 6   |
| 61  | 50235033300    | SNAP-NUT HOLDER M6 KP142       | 2   |
| 99  | 58329099000    | ORIGINAL EQUIPMENT TOOL KIT    | 1   |

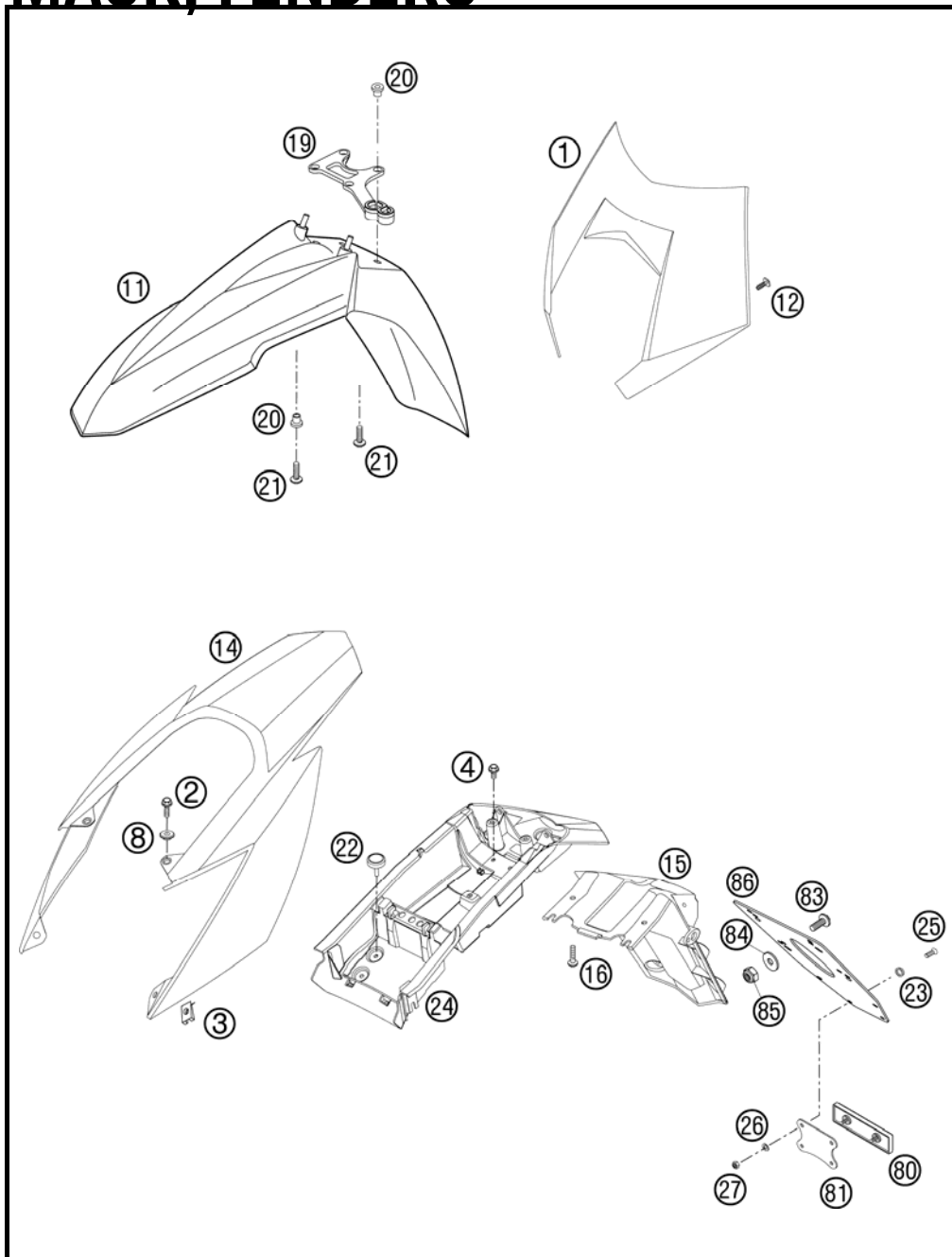
05584075 / C065840707

\* NEW PART

X AS REQUIRED

# MASK, FENDERS

## 640 LC4 SUPERMOTO PRESTIG EU 2006



| FIG | PART NUMBER    | DESCRIPTION                    | QTY |
|-----|----------------|--------------------------------|-----|
| 1   | 5860800100030A | HEAD LIGHT MASK BLACK 05       | 1   |
| 2   | 0015060163     | HH COLLAR SCREW M 6X16 WS=8    | 4   |
| 3   | 54603048100    | RANGE CHANGE METAL NUT M6      | 2   |
| 4   | 0015060103     | HH COLLAR SCREW M 6X10 WS=8    | 4   |
| 8   | 50308053000    | BUSH FOR SPOILER 6X11X16X7,5   | 4   |
| 11  | 5030801040030  | FENDER FR. SM BLACK PAINT. 03  | 1   |
| 12  | 0016050121     | SCREW FOR PLASTIC 50X12        | 4   |
| 14  | 5860801400030B | FENDER REAR BLACK              | 1   |
| 15  | 58608015000    | NUMBER PLATE CARRIER 05        | 1   |
| 16  | 0017060203     | EJOT PT SCREW K60X20 WS=6      | 6   |
| 19  | 60008019000    | BRAKE HOSE GUIDE LOWER 03      | 1   |
| 20  | 58408009050    | SPACER BUSHING FRONT FENDER    | 4   |
| 21  | 0014060203     | HH COLLAR SCREW M 6X20 WS=8    | 4   |
| 22  | 60006001021    | DISTANCE RUBBER AIRBOX 03      | 5   |
| 23  | 40006006000    | WASHER 6MM                     | 3   |
| 24  | 58608019000    | REAR BASE 05                   | 1   |
| 25  | 0966050163     | OVAL HEAD SCREW DIN0966-M 5X16 | 2   |
| 26  | 0125050003     | WASHER DIN0125-A 5,3           | 2   |
| 27  | 0985050003     | SELF LOCKING NUT DIN0985-M 5   | 2   |
| 80  | 58412080000    | REFLECTOR RED LC4 '98          | 1   |
| 81  | 58412080050    | BRACKET FOR REFLECTOR          | 1   |
| 83  | 0014060153     | HH COLLAR SCREW M 6X15 WS=8    | 4   |
| 84  | 0021060003     | WASHER DIN9021-A 6,4           | 4   |
| 85  | 0985060003     | SELF LOCK. NUT DIN0985-M 6     | 4   |
| 86  | 60012081100    | LICENCE NUMBER SUPPORT 05      | 1   |

065840806 / C065840809

\* NEW PART

X AS REQUIRED



# DECAL

## 640 LC4 SUPERMOTO PRESTIG EU 2006

| FIG | PART NUMBER | DESCRIPTION                                     | QTY |
|-----|-------------|---|-----|
| 2*  | 58408499300 | STICKER "640LC4" 05<br>LC4, LC4 SUPERMOTO BLACK | 1   |

②

**640LC4**

**640LC4**

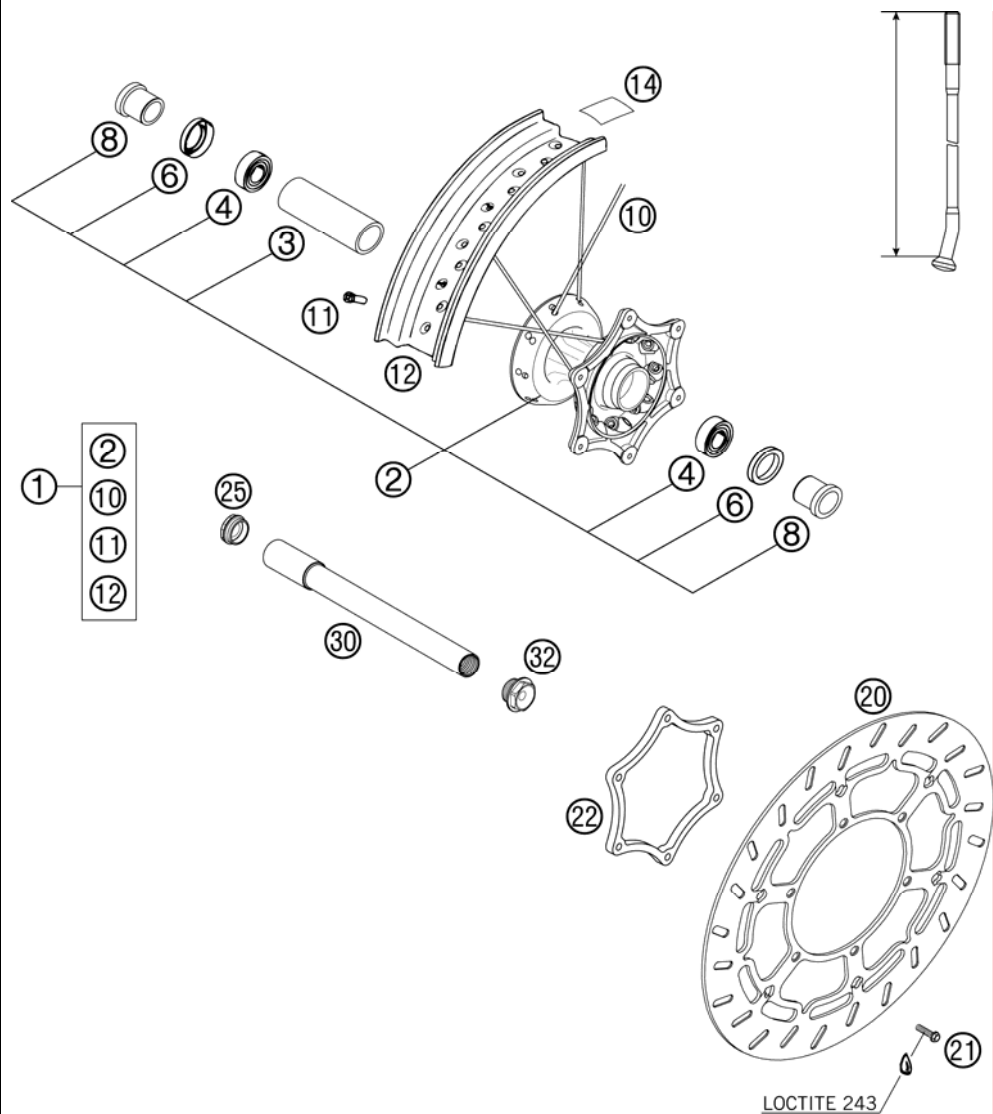
065840807 / C065840811

\* NEW PART

X AS REQUIRED

# FRONT WHEEL

# 640 LC4 SUPERMOTO PRESTIG EU 2006



| FIG | PART NUMBER   | DESCRIPTION                    | QTY |
|-----|---------------|--------------------------------|-----|
| 1   | 5840900164430 | FRONT WHEEL SP 3,5X17" BLA. 03 | 1   |
| 2   | 5480901004491 | FRONT HUB CPL. SX SILVER 03    | 1   |
| 3   | 54809011000   | BEA.SPACERTUBE 35X2 L=79,4 03  | 1   |
| 4   | 0625069068    | GR.BALL BEAR.6906 DDU2CG23S6NM | 2   |
| 6   | 0760354771    | SHAFT SEAL RING 35X47X7 TC     | 2   |
| 8   | 54809012000   | SPACER BUSHING F. FR. WHEEL 03 | 2   |
| 10  | 50309071175   | SPOKE M4,5X175-15G 17" DDE     | 36  |
| 11  | 50309072000   | SPOKE NIPPLE M4,5X0,75 8X21    | 36  |
| 12  | 5840907000030 | RIM FRONT 3,50X17" BLACK ANOD. | 1   |
| 14  | 58309073000   | RIM BAND 17"                   | 1   |
| 20  | 58209060000   | BRAKE DISK FRONT D=320MM 2002  | 1   |
| 21  | 59009062023   | SPECIAL SCREW M6X23 WS=8 10.9  | 6   |
| 22  | 58409161000   | BRAKE DISC SUPPORT SM 03       | 1   |
| 25  | 54809081050   | PLUG BUSHING WS=27 03          | 1   |
| 30  | 58409081000   | WHEEL SPINDEL FRO.D=26MM SM 03 | 1   |
| 32  | 54809082000   | SPINDLE SCREW M24X1,5 WS=27 03 | 1   |

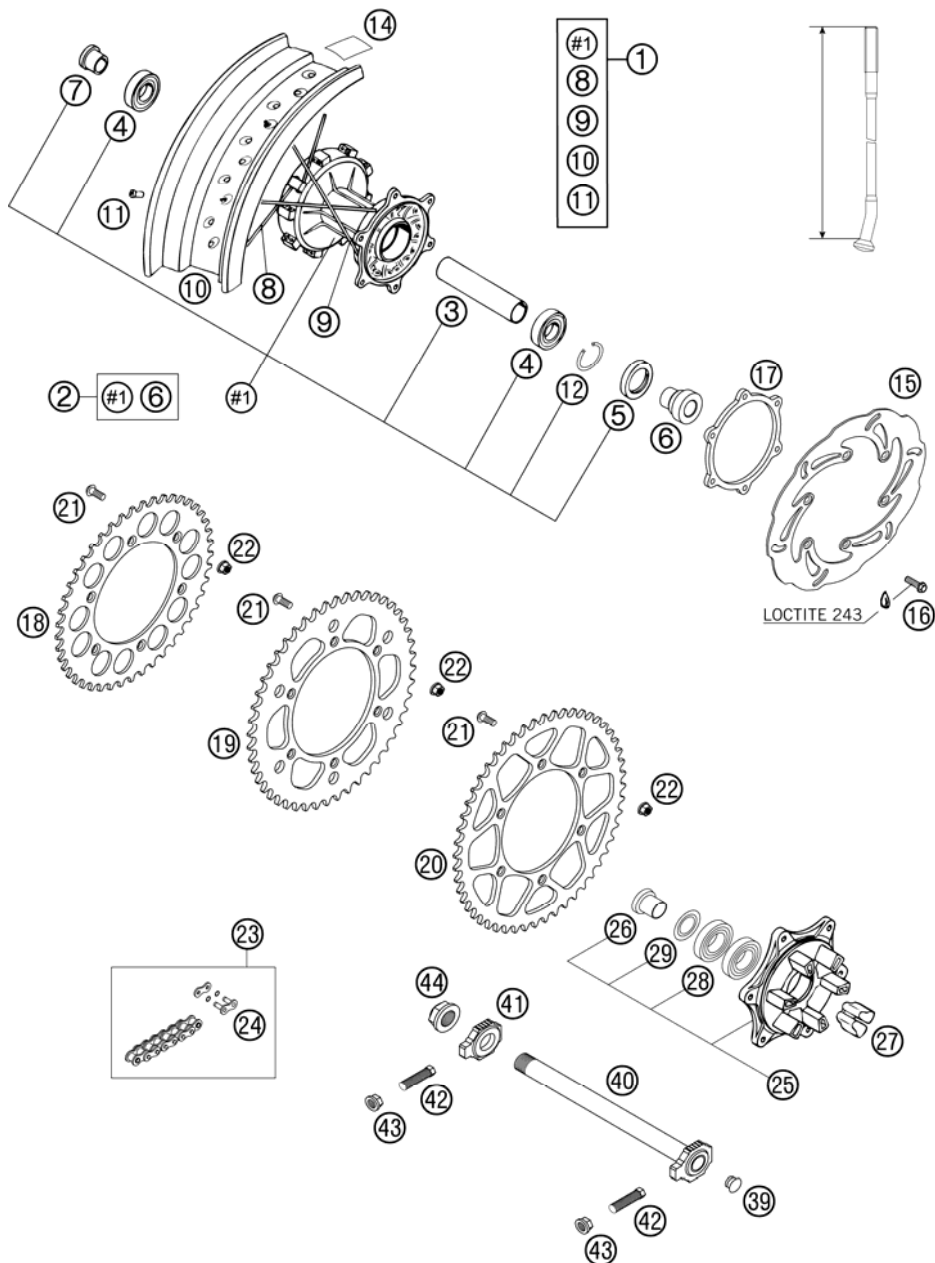
055840906 / C065840906

\* NEW PART

X AS REQUIRED

# REAR WHEEL

# 640 LC4 SUPERMOTO PRESTIG EU 2006



| FIG | PART NUMBER   | DESCRIPTION                        | QTY |
|-----|---------------|------------------------------------|-----|
| 1*  | 5841000194430 | REAR WHEEL-SP 5X17" BLACK 06       | 1   |
| 2*  | 5841001034491 | REAR WHEEL HUB DAMPED CPL. 06      | 1   |
| 3   | 58410011000   | BUSHING SPACER TUBE L=98,3MM       | 1   |
| 4   | 0625062052    | GR.BALL BEAR. 6205-2RSHC3HMTF7     | 2   |
| 5   | 0760325272    | SHAFT SEAL RING 32X52X7 B          | 1   |
| 6   | 58410017000   | BUSHING FOR REAR WHEEL SM 03       | 1   |
| 7*  | 54610416500   | BUSHING FOR REAR DAMPED HUB 06     | 1   |
| 8*  | 58310171100   | SPOKE M5X199-16G 17"               | 18  |
| 9*  | 58310071100   | SPOKE M5X186-26G 17"               | 18  |
| 10  | 5841007010030 | REAR RIM 5,00X17" BLACK ANOD.      | 1   |
| 11  | 58309072000   | SPOKE NIPPLE M5-TA (8X21MM)        | 36  |
| 12  | 0472052200    | CIRCLIP DIN0472-52X2               | 1   |
| 14  | 58309073000   | RIM BAND 17"                       | 1   |
| 15  | 58310060100   | BRAKE DISC REAR D=220MM 2000       | 1   |
| 16  | 59009062019   | SPECIAL SCREW M6X19 WS=8 10.9      | 6   |
| 17  | 58410061000   | DISTANCE RING F. BRAKE DISC 03     | 1   |
| 18  | 58310051038   | REAR SPROCKET 38-T                 | x   |
| 18  | 58310051042   | REAR SPROCKET 42-T                 | 1   |
| 18  | 58310151040   | REAR SPROCKET 40-T                 | x   |
| 18  | 58310151045   | REAR SPROCKET 45-T                 | x   |
| 19  | 58310151048   | REAR SPROCKET 48-T                 | x   |
| 20  | 58310151050   | REAR SPROCKET 50-T                 | x   |
| 20  | 58310151052   | REAR SPROCKET 52-T                 | x   |
| 21  | 54510052100   | SPROCKET SCREW-AH M8X26 WS=6       | 6   |
| 22  | 54310086200   | SELF LOCKING NUT M8 10.9           | 6   |
| 23* | 50310800118   | CHAIN Z-RING 118 ROLLS 05 REGINA   | 1   |
| 24* | 50310366000   | MASTER LINK FOR 50310800118 REGINA | 1   |
| 25* | 58310050244   | SPROCKET SUPPORT CPL. 05           | 1   |
| 26* | 58310417200   | BUSH. F.SPROCKETSUPPORT 06         | 1   |
| 27  | 54610459000   | DAMPING RUBBER '91                 | 6   |
| 28* | 0625060058    | GR.BALL BEAR.6005 DDU2CG23S6NM     | 2   |
| 29* | 58310018000   | SEAL WASHER 6005AV 06              | 1   |
| 39  | 50210086000   | COVERING CAP SFL16                 | 2   |
| 40  | 58410085044   | WHEEL SPINDLE RE.CPL.L=270M 03     | 1   |

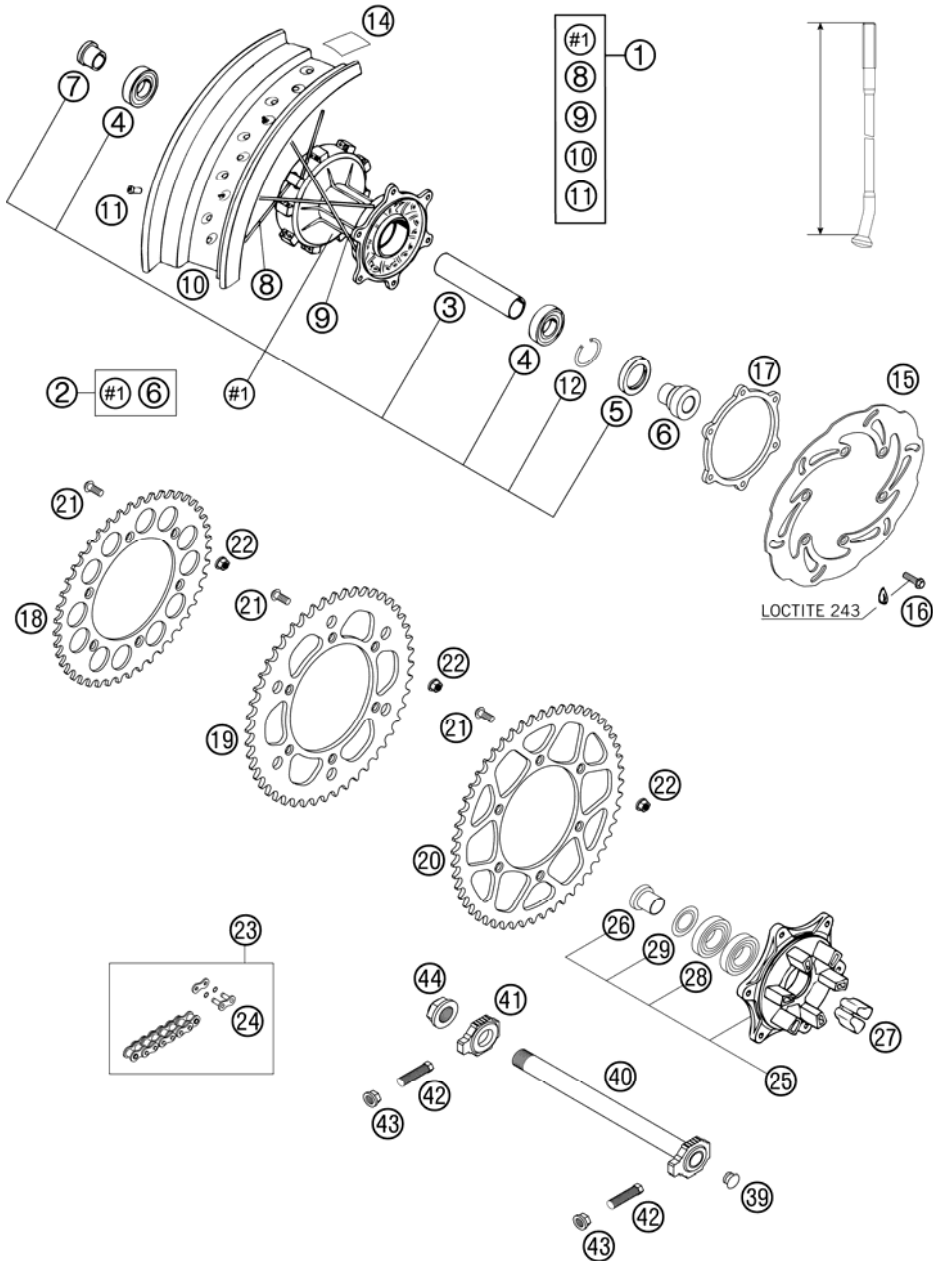
065841005 / C065841006

\* NEW PART

X AS REQUIRED

# REAR WHEEL

# 640 LC4 SUPERMOTO PRESTIG EU 2006



| FIG | PART NUMBER | DESCRIPTION                  | QTY |
|-----|-------------|------------------------------|-----|
| 41  | 50310084000 | CHAIN TENSIONER R/S 2000     | 1   |
| 42* | 50304040100 | SCREW M10X1,25X50 WS=10      | 2   |
| 43  | 58414030000 | HH COLLAR NUT M10X1,25 WS=13 | 2   |
| 44  | 50310099000 | HEXAGON NUT M20X1,5 '98      | 1   |

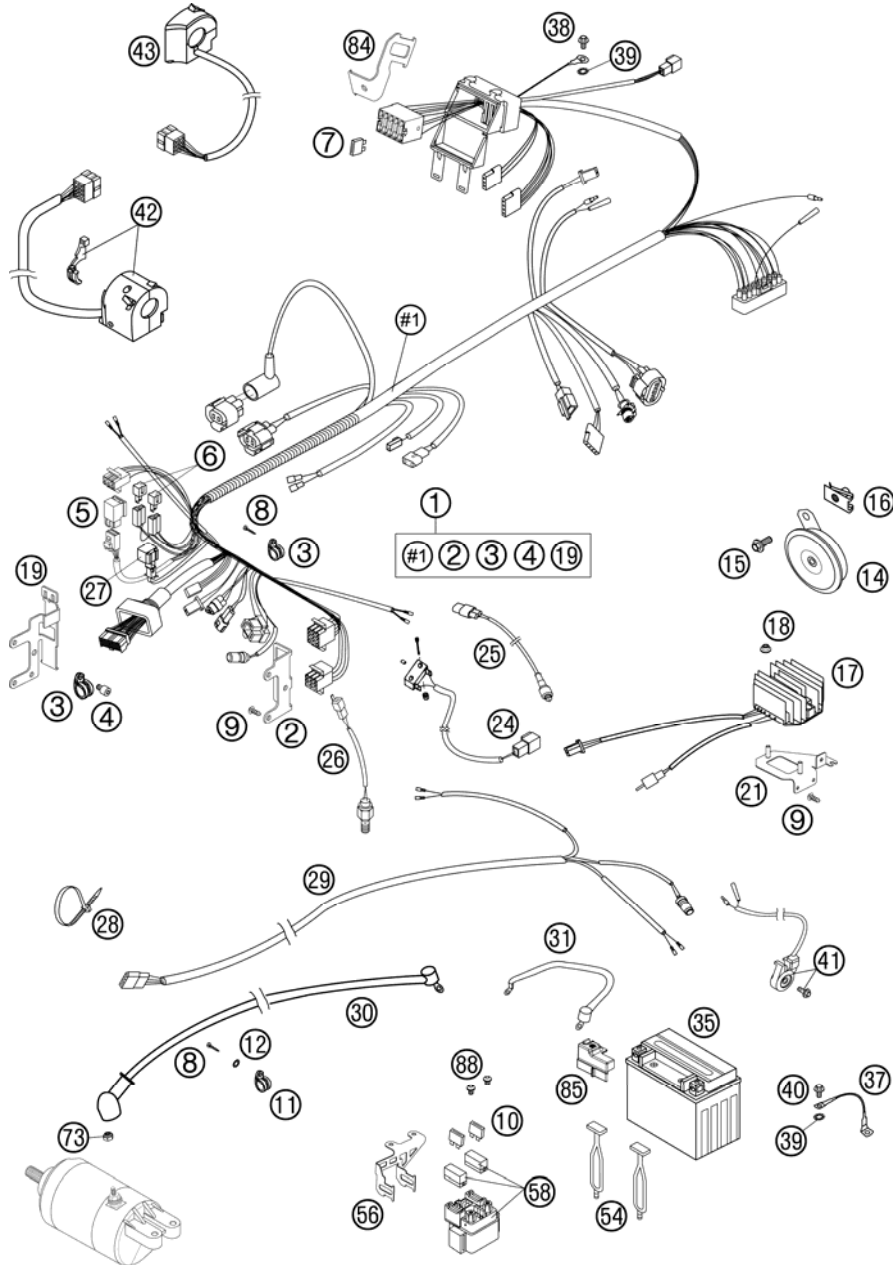
065841005 / C065841006

\* NEW PART

X AS REQUIRED

# WIRING HARNESS

# 640 LC4 SUPERMOTO PRESTIG EU 2006



| FIG | PART NUMBER | DESCRIPTION                    | QTY  |
|-----|-------------|--------------------------------|------|
| 1   | 58611075000 | WIRING HARNESS 640 SM          | 05   |
| 2   | 58611083000 | SUPPORT BRACKET L/S            | 05   |
| 3   | 49007439000 | CLAMP RSGU 15/12               | 2    |
| 4   | 0912050083  | AH SCREW DIN 912 M 5X8         | 1    |
| 5   | 58411057000 | STARTER RELAY '96              | 1    |
| 6   | 58411096100 | DIODE S3H-15                   | 97   |
| 7   | 58011109110 | FUSE 10 A                      | 2000 |
| 8   | 0981480133  | SHEET MET.SCR.DIN7981- 4,8X13  | x    |
| 9   | 0016050121  | SCREW FOR PLASTIC 50X12        | 2    |
| 10  | 58011109120 | FUSE 20 A                      | x    |
| 11  | 45001070000 | BRAKE CABLE CLAMP RSGU 9/12    | 1    |
| 12  | 0797050003  | TOOTH LOCK WASH. DIN6797-J 5,3 | 1    |
| 14  | 50311060100 | DC HORN L.E.B.                 | 03   |
| 15  | 0014060153  | HH COLLAR SCREW M 6X15 WS=8    | 1    |
| 16  | 54603048100 | RANGE CHANGE METAL NUT M6      | 3    |
| 17  | 58411034100 | VOLT.REGULATOR-RECTIFIER 12V   | 1    |
| 18  | 56509064100 | SELF LOCKING NUT M6            | 10.9 |
| 19  | 58611183000 | SUPPORT BRACKET R/S            | 05   |
| 21  | 58611055200 | BRACKET REGULATOR 06           | 1    |
| 24  | 58411050000 | BRAKE LIGHT SWITCH FRONT SM 03 | 1    |
| 25  | 58411049100 | CLUTCH SWITCH                  | 03   |
| 26  | 50311051100 | BRAKE LIGHT SWITCH REAR '98    | 1    |
| 27  | 44611207200 | FLASHER UNIT                   | 97   |
| 28  | 44011076100 | CABLE TIE 100/2,5MM BLACK      | x    |
| 28  | 44011076200 | CABLE TIE 200/3,6MM BLACK      | x    |
| 28  | 44011076305 | CABLE TIE 300/4,8MM BLACK      | x    |
| 29  | 58611076000 | WIRING HARNESS REAR            | 05   |
| 30  | 58611059000 | STARTERCABLE L=810MM           | 05   |
| 31  | 58611059050 | BATTERY CABLE L=140MM          | 05   |
| 35  | 58411053100 | BATTERY 12V 8,6AH              | 03   |
| 37  | 58611097000 | GROUND CABLE L=80MM            | 05   |
| 38  | 0015060103  | HH COLLAR SCREW M 6X10 WS=8    | 1    |
| 39  | 58411098100 | CONTACT WASHER M6 VSV-K6       | 2    |
| 40  | 0015060123  | HH COLLAR SCREW M 6X12 WS=8    | 1    |
| 41  | 58411045000 | SIDE STAND SWITCH CPL. '97     | 1    |
| 42  | 58411070100 | HEAD LIGHT SWITCH AD LC4       | 02   |

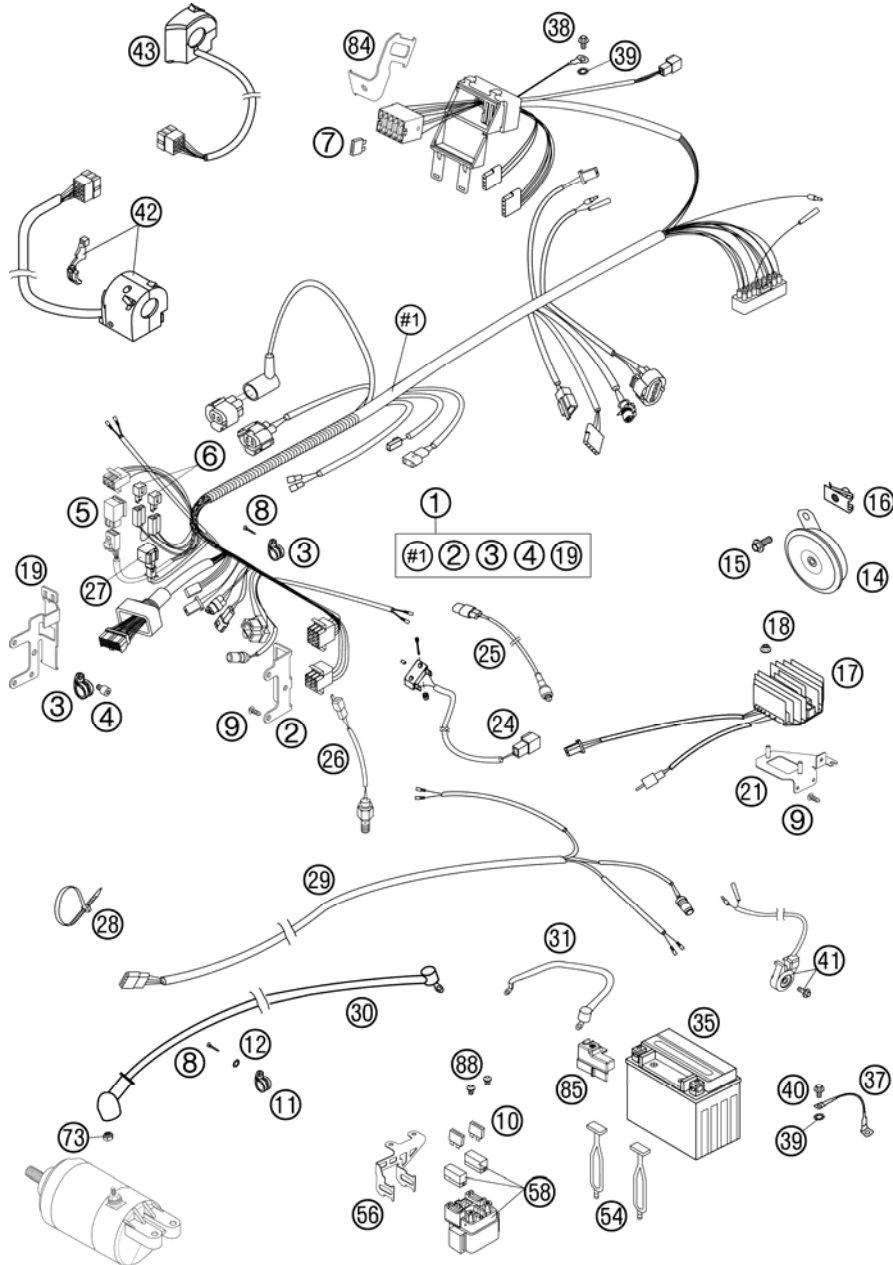
05584115 / C065841105

\* NEW PART

X AS REQUIRED

# WIRING HARNESS

# 640 LC4 SUPERMOTO PRESTIG EU 2006

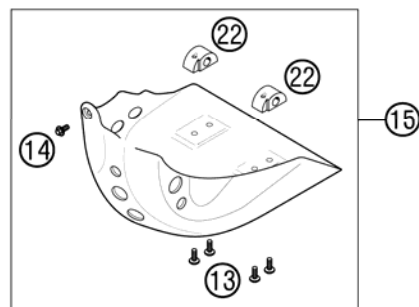
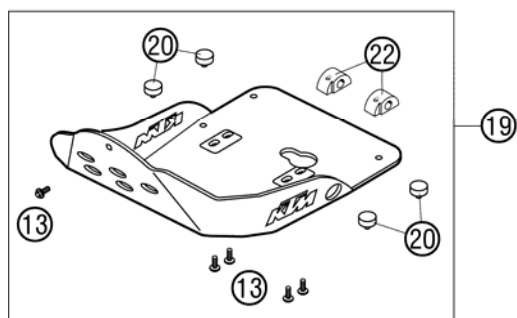
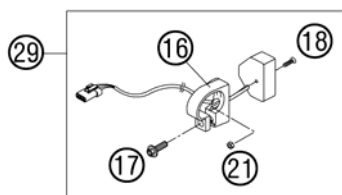
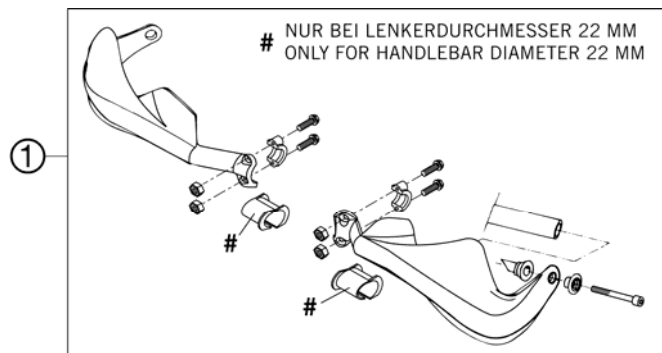


| FIG | PART NUMBER | DESCRIPTION                  | QTY |
|-----|-------------|------------------------------|-----|
| 43  | 58411074200 | START-STOP SWITCH AD 03      | 1   |
| 54  | 50303018000 | RUBBER L=145MM               | 2   |
| 56  | 58611058050 | BRACKET STARTER RELAY 05     | 1   |
| 58  | 58211058000 | STARTER RELAY 12V '99        | 1   |
| 73  | 0985060003  | SELF LOCK. NUT DIN0985-M 6   | 1   |
| 84  | 58611087050 | BRACKET FUSE BOX 05          | 1   |
| 85  | 58611059060 | TERMINAL POST COVER 05       | 1   |
| 88  | 0902060083  | AH OVAL SCREW ISO 7380 M 6X8 | 2   |

05584115 / C065841105

\* NEW PART

X AS REQUIRED



| FIG | PART NUMBER   | DESCRIPTION                          | QTY |
|-----|---------------|--------------------------------------|-----|
| 1   | 6000207910004 | HANDGUARD L/S+R/S CPL.ORANGE04       | 1   |
| 1   | 6000207910030 | HANDGUARD L/S+R/S CPL.BLACK 04       | 1   |
| 13  | 0014060153    | HH COLLAR SCREW M 6X15 WS=8          | x   |
| 14  | 0014060103    | HH COLLAR SCREW M 6X10 WS=8          | 1   |
| 15  | 58303005244   | SKID PLATE PLASTIC PLASTIC           | 1   |
| 16  | 50314068050   | CLAMP FOR TRIPMASTER-SWITCH 03       | 1   |
| 17  | 0017060203    | EJOT PT SCREW K60X20 WS=6            | 1   |
| 18  | 0965040125    | FLAT HEAD SCREW DIN0966-M 4X20       | 1   |
| 19  | 58412099044   | SKID PLATE LIMITED CPL. 97 ALUMINIUM | 1   |
| 20  | 54308042000   | RUBBER BUFFER                        | 4   |
| 21  | 0934040003    | HEXAGON NUT DIN0934-M 4              | 1   |
| 22  | 58003012200   | ENGINE PROTECTOR BRACKET '97         | 2   |
| 29  | 54814073000   | TRIPMASTER-SWITCH 05                 | 1   |

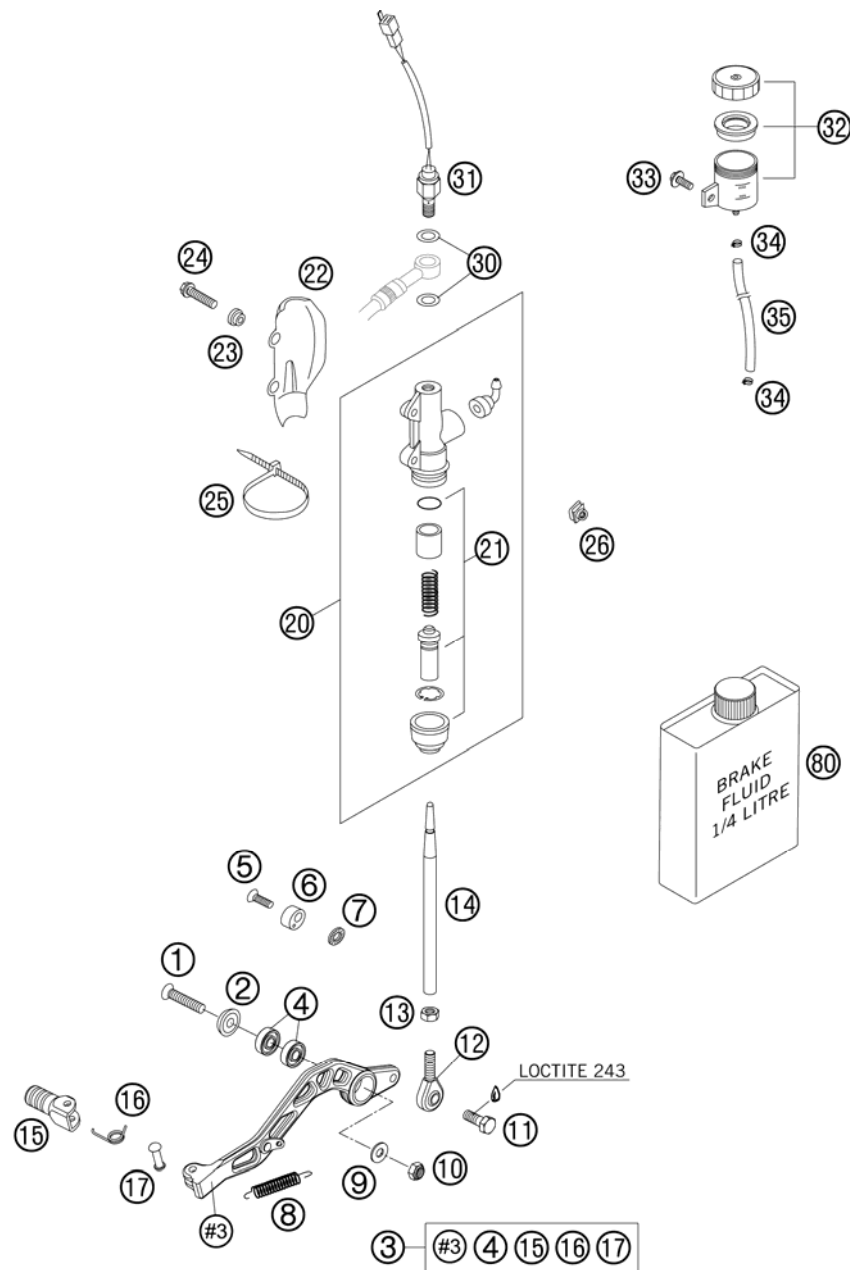
05584125 / C065841205

\* NEW PART

X AS REQUIRED

# REAR BRAKE CONTROL

# 640 LC4 SUPERMOTO PRESTIG EU 2006



| FIG | PART NUMBER | DESCRIPTION                      | QTY |
|-----|-------------|----------------------------------|-----|
| 1   | 0991080353  | FLAT HEAD SCREW DIN7991-M 8X35   | 1   |
| 2   | 58303061000 | SPECIAL WASHER ALU 8 X 24 MM     | 1   |
| 3   | 58403070244 | FOOT BRAKE LEV. FOLDING CPL.04   | 1   |
| 4   | 0625006087  | GROOVED BALL BEAR. 608 2RS C3    | 2   |
| 5   | 0991060203  | FLAT H.SCREW DIN7991-M6X20 8.8   | 1   |
| 6   | 58413048000 | BRAKE LEVER STOP LC4 03          | 1   |
| 7   | 0797060003  | TOOTH LOCK WASH. DIN6797-A 6,4   | 1   |
| 8   | 13003062000 | RETURN SPRING                    | 1   |
| 9   | 0125080003  | WASHER DIN0125-A 8,4             | 1   |
| 10  | 0985080003  | SELF LOCKING NUT DIN0985-M 8     | 1   |
| 11  | 0933080223  | HH SCREW DIN0933-M 8X22 8.8      | 1   |
| 12  | 58303062000 | HEIM JOINT M8 W=12MM '93         | 1   |
| 13  | 0934080003  | HEXAGON NUT DIN0934-M 8          | 1   |
| 14  | 58303068100 | PUSH ROD ALU L=178MM '93         | 1   |
| 15  | 54634131000 | STEP PLATE FOR SHIFT LEVER 250   | 1   |
| 16  | 54634032100 | SHIFTING LEVER SPRING 250        | 1   |
| 17  | 54634031050 | BOLT 6X25 FOR SHIFT LEVER        | 1   |
| 20  | 54513101044 | MAIN BRAKE CYLINDER '89          | 1   |
| 21  | 54513150000 | REPAIR KIT PISTON 13MM           | 1   |
| 22  | 54513038000 | BRAKE CYL. PROTECTOR "BREMBO"    | 1   |
| 23  | 50213161000 | COLLAR BUSHING                   | 2   |
| 24  | 0015060253  | HH COLLAR SCREW M 6X25 WS=8      | 2   |
| 25  | 44011076200 | CABLE TIE 200/3,6MM BLACK        | 1   |
| 26  | 50235033300 | SNAP-NUT HOLDER M6 KP142         | 2   |
| 30  | 42013226000 | CU-SEAL RING DIN7603-10X16X1     | 2   |
| 31  | 50311051100 | BRAKE LIGHT SWITCH REAR '98      | 1   |
| 32  | 54513030044 | BRAKE FLUID RESERVOIR '89        | 1   |
| 33  | 0014060103  | HH COLLAR SCREW M 6X10 WS=8      | 1   |
| 34  | 58007017000 | YDNAC CLAMP 10101 (9MM)          | 2   |
| 35  | 58007016101 | HOSE FOR RESERVOIR 6X1,5         | 1   |
| 80  | 306054      | BRAKE FLUID DOT 5.1<br>1/4 LITRE | 1   |

065831301 / C065841306

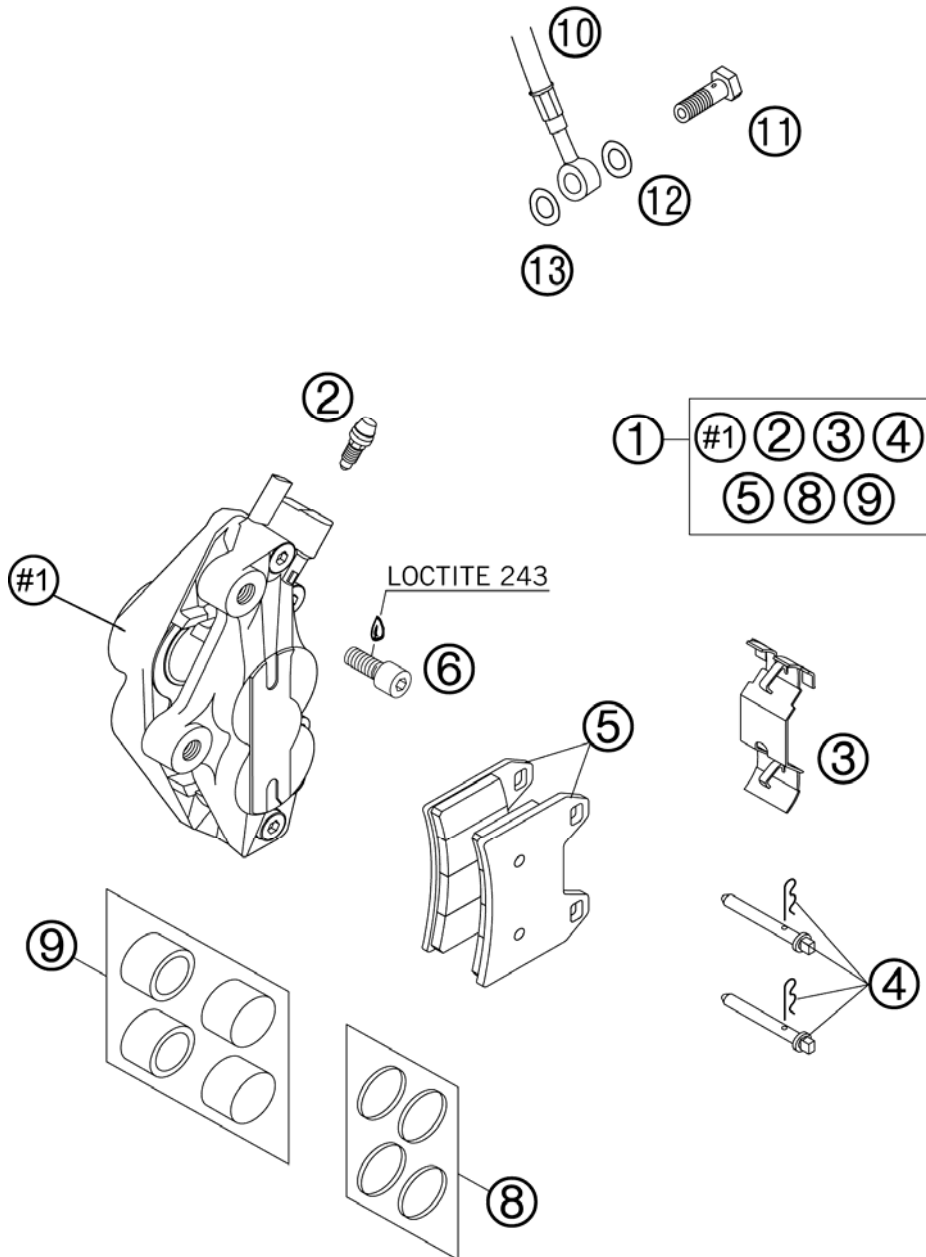
\* NEW PART

X AS REQUIRED



# BRAKE CALIPER FRONT

# 640 LC4 SUPERMOTO PRESTIG EU 2006



| FIG | PART NUMBER | DESCRIPTION                    | QTY |
|-----|-------------|--------------------------------|-----|
| 1   | 58713015000 | BRAKE CALIPER FR. GOLD DUKE'99 | 1   |
| 2   | 58713020000 | BLEEDER SCREW M10X1 '99        | 1   |
| 3   | 58713018000 | RETAINING SPRING BREMBO '99    | 1   |
| 4   | 58713017000 | BOLT WITH CLIP '99             | 2   |
| 5   | 58713030000 | BRAKE PAD SET FR.FERIT ID405FF | 1   |
| 6   | 0912100309  | AH SCREW DIN912 M10X30 10.9    | 2   |
| 8   | 58713021000 | REPAIR KIT SEAL.-RINGS DUKE 02 | 1   |
| 9   | 58713019000 | BRAKE PISTON DUKE 2002         | 1   |
| 10  | 58413011500 | BRAKE HOSE FRONT SM 2004       | 1   |
| 11  | 50213025000 | HOLLOW SCREW M10X1X19          | 1   |
| 12  | 42013226000 | CU-SEAL RING DIN7603-10X16X1   | 1   |
| 13  | 42013026000 | CU-SEAL RING DIN7603-10X16X1,5 | 1   |

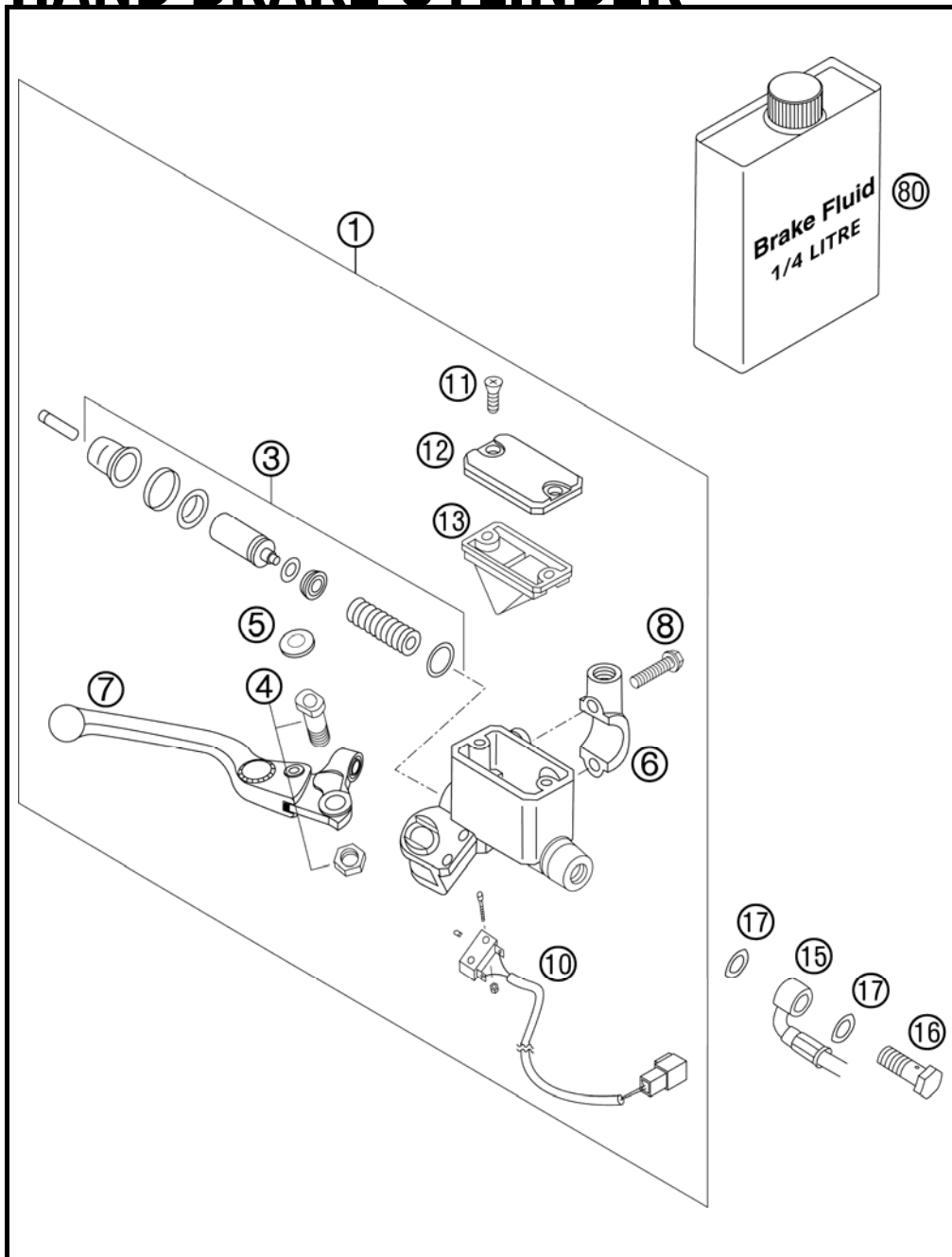
065841307 / C065841307

\* NEW PART

X AS REQUIRED

# HAND BRAKE CYLINDER

640 LC4 SUPERMOTO PRESTIG EU 2006



| FIG | PART NUMBER | DESCRIPTION                    | QTY |
|-----|-------------|--------------------------------|-----|
| 1   | 58713001100 | HANDBRAKE CYL.DUKE ADJUST.2003 | 1   |
| 3   | 58313050100 | REPAIR KIT CPL. D=13MM         | 1   |
| 4   | 54413015000 | LEVER SCREW CPL.               | 1   |
| 5   | 58713004000 | COVERING CAP FOR LEVER SCREW   | 1   |
| 6   | 58012040050 | CLAMP MIRROW M10X1,25          | 1   |
| 7   | 58713002100 | HAND BRAKE LEVER LOOSE ADJ. 03 | 1   |
| 8   | 0015060203  | HH COLLAR SCREW M 6X20 WS=8    | 2   |
| 10  | 58411050000 | BRAKE LIGHT SWITCH FRONT SM 03 | 1   |
| 11  | 0965050163  | FLAT HEAD SCREW DIN0965-M 5X16 | 2   |
| 12  | 58313012000 | COVER BREMBO DUKE '94          | 1   |
| 13  | 58313009000 | RUBBER BOOT DUKE               | 1   |
| 15  | 58413011500 | BRAKE HOSE FRONT SM 2004       | 1   |
| 16  | 50213025000 | HOLLOW SCREW M10X1X19          | 1   |
| 17  | 42013226000 | CU-SEAL RING DIN7603-10X16X1   | 2   |
| 80  | 306054      | BRAKE FLUID DOT 5.1            | 1   |

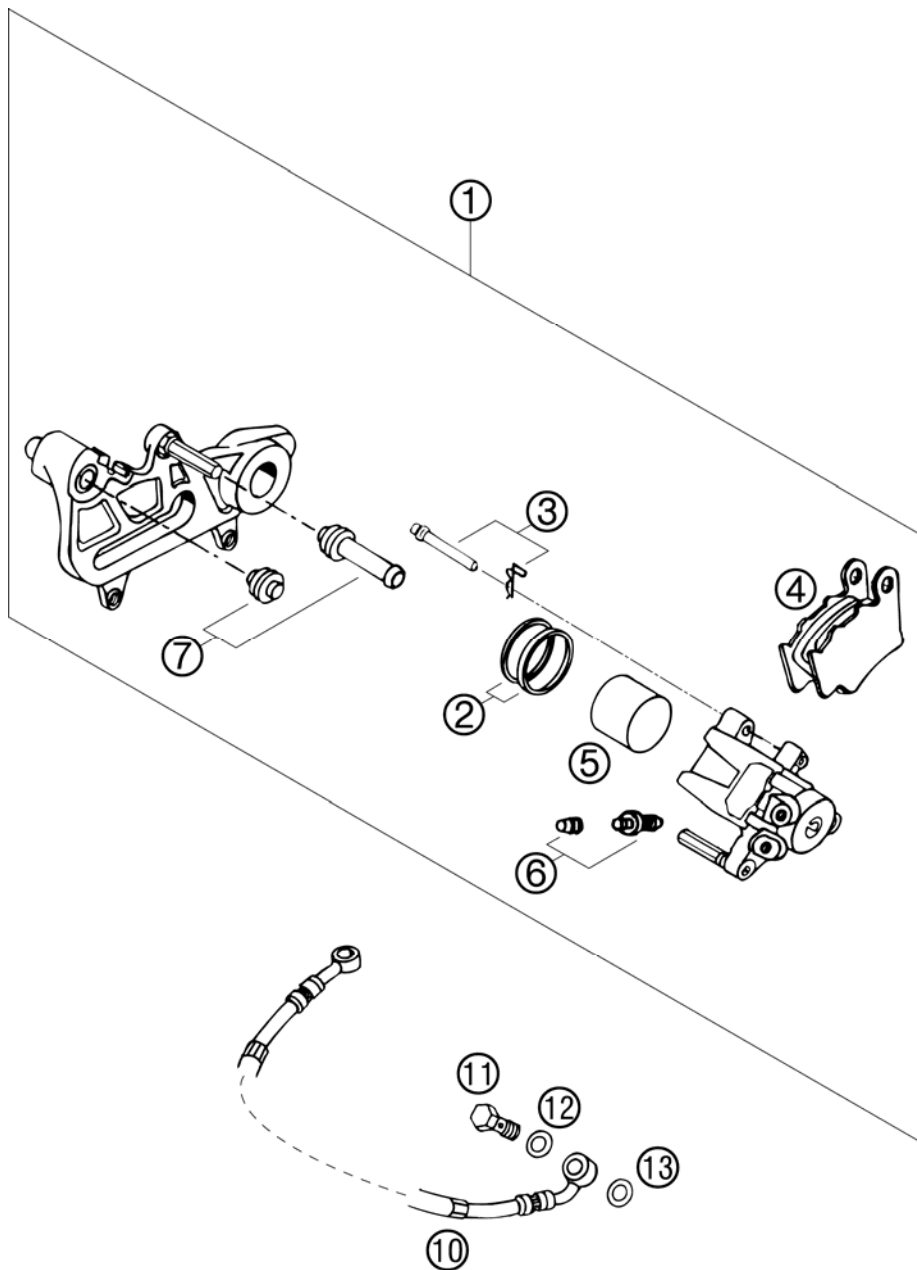
04586130 / C065861303

\* NEW PART

X AS REQUIRED

# BRAKE CALIPER REAR

640 LC4 SUPERMOTO PRESTIG EU 2006



| FIG | PART NUMBER | DESCRIPTION                    | QTY |
|-----|-------------|--------------------------------|-----|
| 1   | 58413080044 | BRAKE CALIPER REAR CPL.GOLD 03 | 1   |
| 2   | 54613318200 | REPAIR KIT SEALING RINGS 34MM  | 1   |
| 3   | 54613310200 | BOLT SET                       | 1   |
| 4   | 54613309200 | BRAKE PAD SET REAR ID450       | 1   |
| 5   | 54613305200 | BRAKE PISTON 34MM              | 1   |
| 6*  | 60013020000 | BLEEDER SCREW WITH CAP         | 1   |
| 7   | 54613218000 | CUP SET SHORT                  | 1   |
| 10  | 58313070000 | BRAKE HOSE REAR 790MM '97      | 1   |
| 11  | 50213025000 | HOLLOW SCREW M10X1X19          | 1   |
| 12  | 42013226000 | CU-SEAL RING DIN7603-10X16X1   | 1   |
| 13  | 42013026000 | CU-SEAL RING DIN7603-10X16X1,5 | 1   |

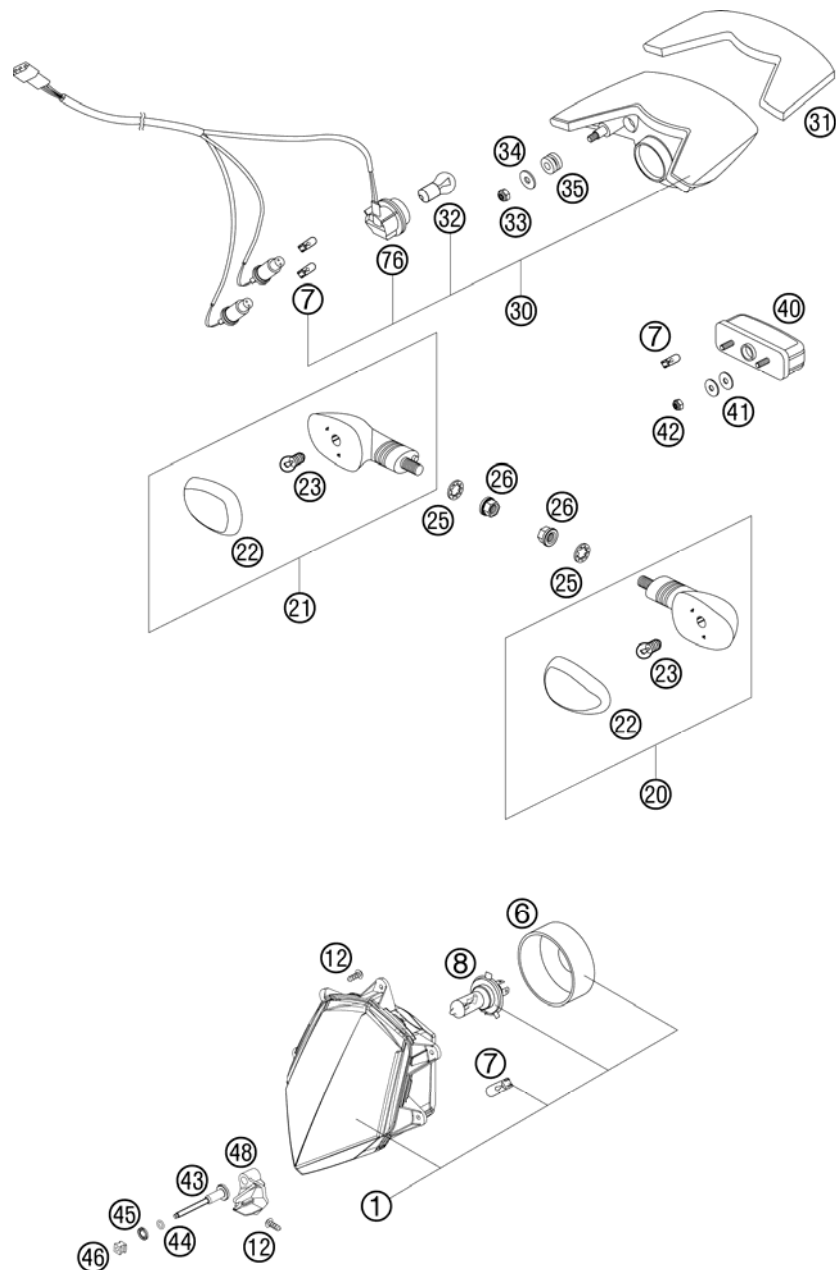
02584132 / C065861307

\* NEW PART

X AS REQUIRED

# LIGHTING SYSTEM

## 640 LC4 SUPERMOTO PRESTIG EU 2006



| FIG | PART NUMBER   | DESCRIPTION                     | QTY |
|-----|---------------|---------------------------------|-----|
| 1   | 58614001000   | HEAD LIGHT RIGHT TR. 05         | 1   |
| 6   | 58614001050   | RUBBER CAP FOR HEAD LIGHT 05    | 1   |
| 7*  | 49011435100   | BULB 12V 5W (W2,1X9,5D) PHIL.   | 4   |
| 8   | 57111038000   | BULB H4 12V 60/55W (P43T)       | 1   |
| 12  | 0016050121    | SCREW FOR PLASTIC 50X12         | 6   |
| 20  | 5841402500030 | FLASHER CPL.FRONT L/S REAR R/S  | 2   |
| 21  | 5841402600030 | FLASHER CPL.FRONT R/S REAR L/S  | 2   |
| 22  | 58414028000   | FLASHER LENS L/S & R/S '98      | 4   |
| 23  | 44111015100   | BULB 12V 10W (BA15S)            | 4   |
| 25  | 0797100003    | LOCK WASHER DIN6797-J10,5 ZI    | 2   |
| 26  | 58414030000   | HH COLLAR NUT M10X1,25 WS=13    | 4   |
| 30  | 58614040044   | REAR LIGHT CPL. 05              | 1   |
| 31  | 58614040050   | METAMOLL FOR HEAD LIGHT 05      | 1   |
| 32  | 60014048000   | BULB 12V 21W                    | 1   |
| 33  | 0985060003    | SELF LOCK. NUT DIN0985-M 6      | 2   |
| 34  | 0021060003    | WASHER DIN9021-A 6,4            | 2   |
| 35  | 58214069051   | RUBBER GROMMET 16X10,8X3 02     | 4   |
| 40  | 58414047000   | LICENSE-PLATE ILLUMINATION '98  | 1   |
| 41  | 0021050003    | WASHER DIN9021-A 5,3            | 4   |
| 42  | 0985050003    | SELF LOCKING NUT DIN0985-M 5    | 2   |
| 43  | 58614021000   | ADJ. SCREW HEAD LIGHT 05        | 1   |
| 44  | 0770080020    | O-RING 8X2 SILICONE             | 1   |
| 45  | 58614024000   | CLAMP RING F. HEAD LIGHT ADJ.   | 1   |
| 46  | 58614018000   | ADJUSTING NUT F. HEAD L. ADJ.05 | 1   |
| 48  | 58614063050   | TAB HEAD LIGHT ADJ. 05          | 1   |
| 76  | 58611076100   | CABLE HARNESS REAR PART 05      | 1   |

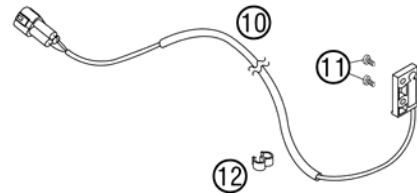
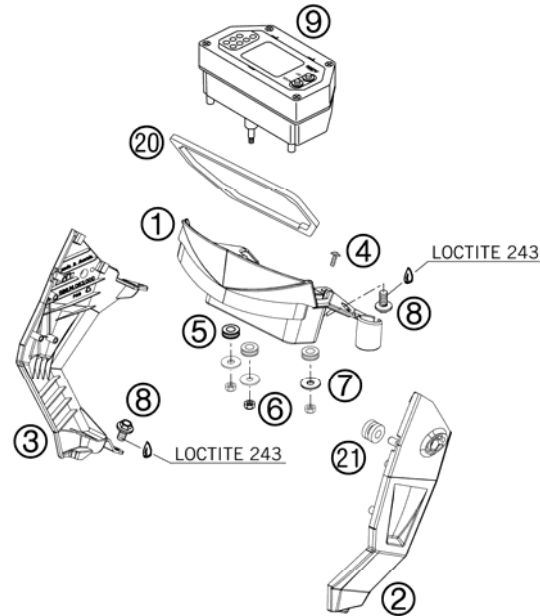
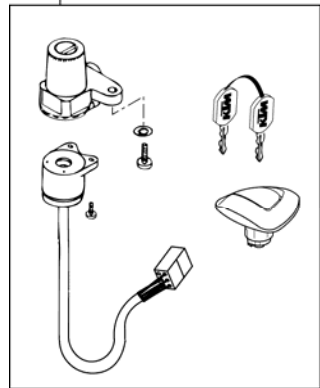
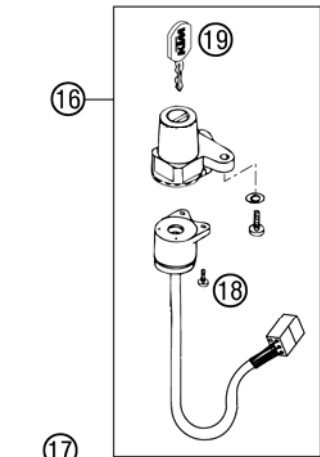
05584145 / C065841405

\* NEW PART

X AS REQUIRED

# SPEEDOMETER

# 640 LC4 SUPERMOTO PRESTIG EU 2006



| FIG | PART NUMBER | DESCRIPTION                    | QTY |
|-----|-------------|--------------------------------|-----|
| 1   | 58614061000 | SPEEDOMETER BRACKET MIDDLE 05  | 1   |
| 2   | 58614062000 | SPEEDOMETER BRACKET L/S LC4 05 | 1   |
| 3   | 58614063000 | SPEEDOMETER BRACKET R/S LC4 05 | 1   |
| 4   | 0016050121  | SCREW FOR PLASTIC 50X12        | 4   |
| 5   | 58214069051 | RUBBER GROMMET 16X10,8X3 02    | 3   |
| 6   | 0021050003  | WASHER DIN9021-A 5,3           | 3   |
| 7   | 0985050003  | SELF LOCKING NUT DIN0985-M 5   | 3   |
| 8   | 0014060103  | HH COLLAR SCREW M 6X10 WS=8    | 4   |
| 9   | 61014069000 | DIGITAL SPEEDOMETER 05         | 1   |
| 10* | 58214068000 | SPEEDOMETER SENSOR 06          | 1   |
| 11  | 0084040083  | CYL.HEAD SCREW DIN0084-M 4X8 A | 2   |
| 12  | 55011022100 | CLAMP D=6/8MM, BLACK           | 2   |
| 16  | 58411066100 | IGNITION LOCK 99               | 1   |
| 17  | 58411066244 | IGNITION LOCK+TANK PLUG S/A98  | 1   |
| 18  | 0985040123  | FLAT HEAD SCREW DIN7985-M 4X12 | 2   |
| 19  | 40011166100 | KEY BLANK LC4/DUKE/LC8         | 1   |
| 20  | 60014068000 | DAMPING RING TACHOMETER 03     | 1   |
| 21  | 31008060000 | RUBBER SLEEVE D=8MM OPEN       | 2   |

05584146 / C065841406

\* NEW PART

X AS REQUIRED







KTM-Sportmotorcycle AG  
A-5230 Mattighofen  
[www.ktm.at](http://www.ktm.at)

KTM Group Partner



3CF9726F1EN



Art.Nr.: 3CF9726F1EN 1/2006