

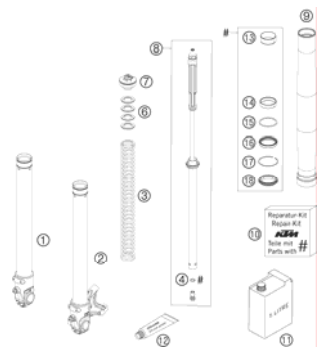
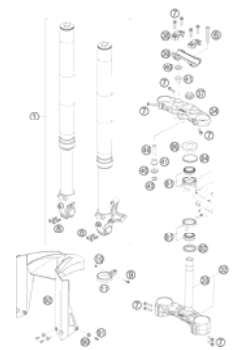

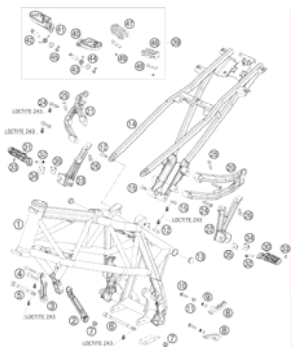
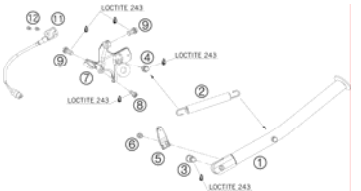
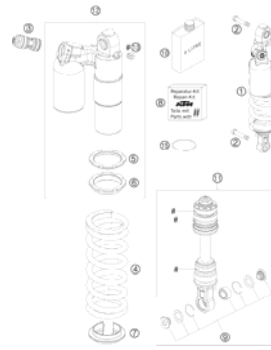
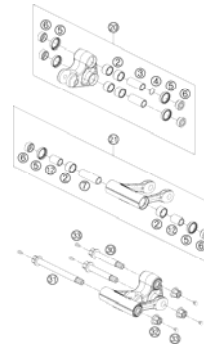
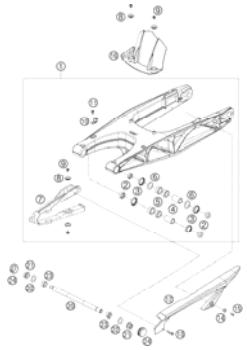

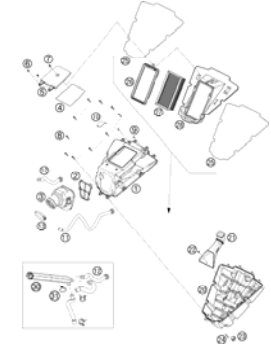

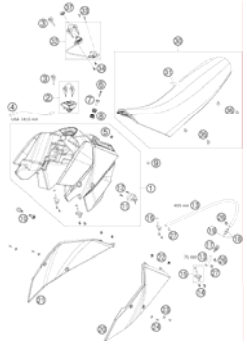
690 SUPERMOTO PRESTIGE EU 2007


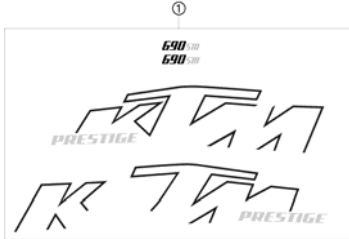
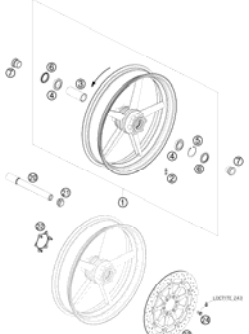
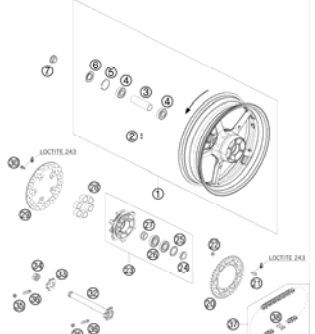

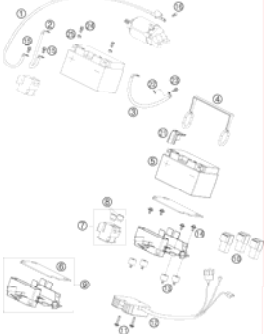
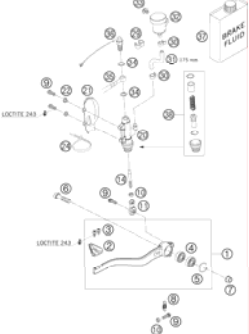
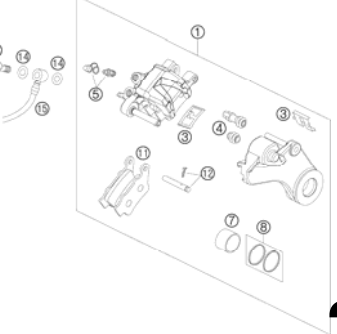

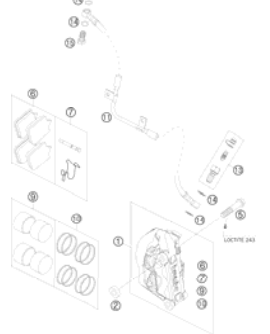
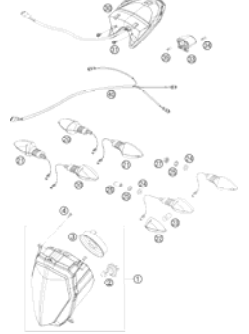

SPARE PARTS MANUAL: CHASSIS

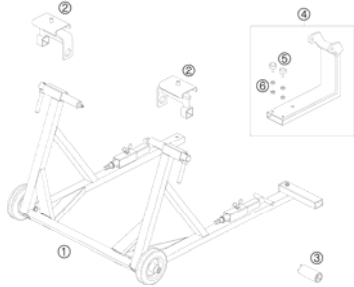
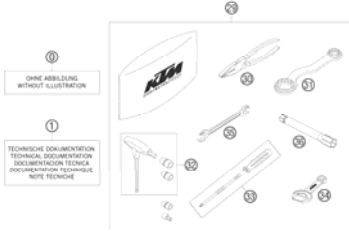
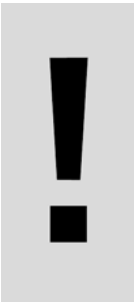
ART.NO.: 3CF9726G5EN

ENGLISH



<p>FRONT FORK DISASSEMBLED</p>  <p>4</p>	<p>FRONT FORK, TRIPLE CLAMP</p>  <p>5</p>	<p>HANDLEBAR, CONTROLS</p>  <p>6</p>	<p>FRAME</p>  <p>7</p>
<p>SIDE / CENTER STAND</p>  <p>9</p>	<p>MONOSHOCK</p>  <p>10</p>	<p>PRO LEVER LINKING</p>  <p>11</p>	<p>SWING ARM</p>  <p>12</p>
<p>EXHAUST SYSTEM</p>  <p>13</p>	<p>AIR FILTER</p>  <p>14</p>	<p>FUEL PUMP</p>  <p>15</p>	<p>TANK, SEAT, COVER</p>  <p>16</p>

<p>MASK, FENDERS</p>  <p>17</p>	<p>DECAL</p>  <p>19</p>	<p>FRONT WHEEL</p>  <p>20</p>	<p>REAR WHEEL</p>  <p>21</p>
<p>WIRING HARNESS</p>  <p>22</p>	<p>BATTERY</p>  <p>23</p>	<p>REAR BRAKE CONTROL</p>  <p>24</p>	<p>BRAKE CALIPER REAR</p>  <p>25</p>
<p>HAND BRAKE CYLINDER</p>  <p>26</p>	<p>BRAKE CALIPER FRONT</p>  <p>27</p>	<p>LIGHTING SYSTEM</p>  <p>28</p>	<p>INSTRUMENTS, LOCK SYSTEM</p>  <p>29</p>

<p>SPECIAL TOOLS</p>  <p style="text-align: right;">30</p>	<p>ACCESSORIES KIT</p>  <p style="text-align: right;">31</p>		
	<div style="display: flex; align-items: center;">  <p>All information contained is without obligation. KTM-Sportmotorcycle AG particularly reserves the right to modify any equipment, technical specifications, prices, colors, shapes, materials, services, service work, constructions, equipment and the like so as to adapt them to local conditions or to cancel any of the above items, all without previous announcement and without giving reasons. KTM may stop manufacturing certain models without previous notice. KTM shall not be held liable for any deviations of availability and/or ability to deliver, illustrations, descriptions, printing and/or other errors. The illustrated models partly contain extra equipment, which is not applied to standard models. © by KTM-SPORTMOTORCYCLE AG, Mattighofen AUSTRIA; All rights reserved; Reprint, also in extracts, with written allowance of KTM-SPORTMOTORCYCLE AG, Mattighofen only.</p> </div>		

FRONT FORK DISSASSEMBLED

690 SUPERMOTO PRESTIGE EU 2007

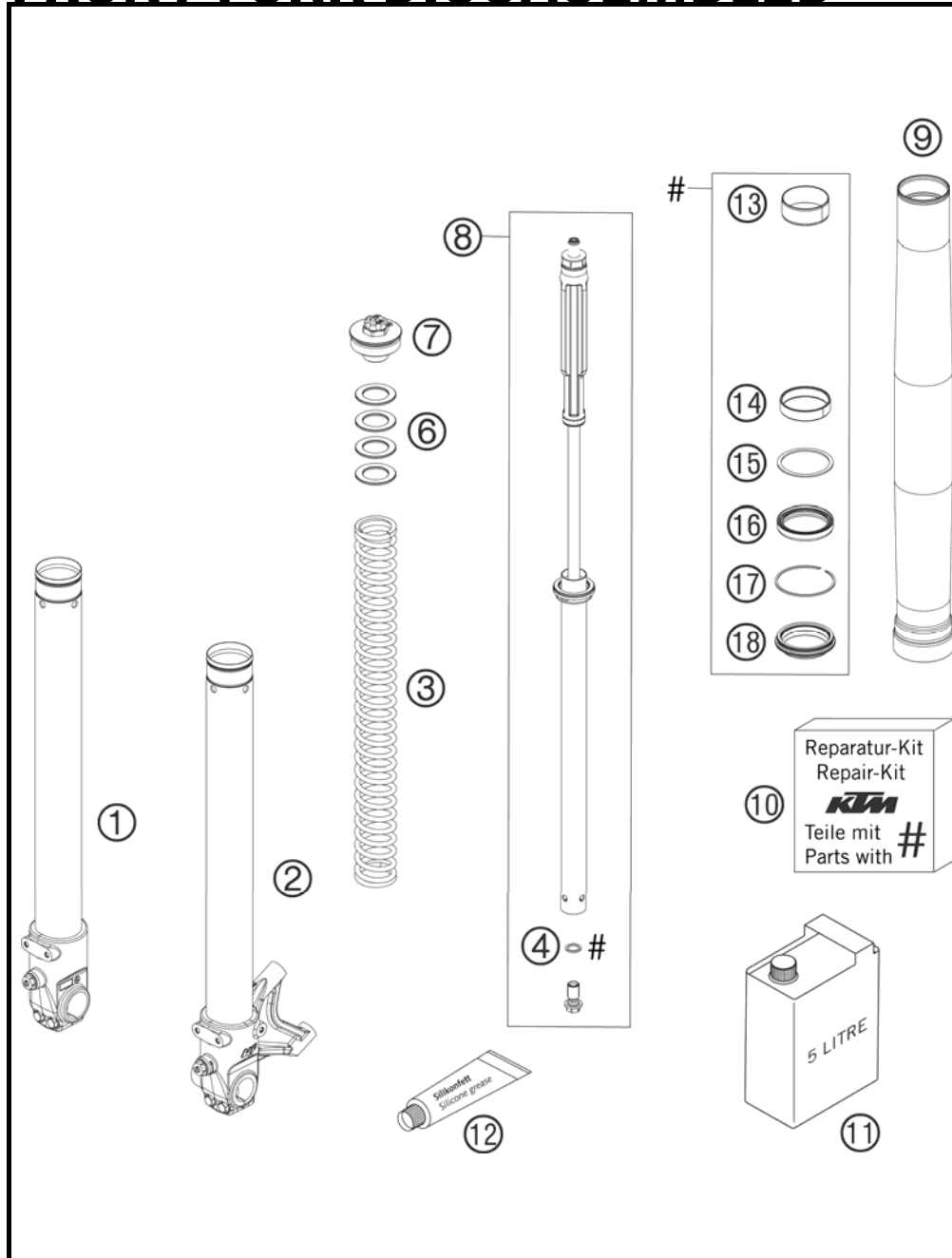


FIG	PART NUMBER	DESCRIPTION	QTY
1	48600536S1	AXLE CLAMP R/S CPL. 07	1
2	48600535S1	AXLE CLAMP L/S CPL. 07	1
3	91410057S	SPRING 5,2N/MM L=415 D=5,1	2
4	46810146	COPPER WASHER 12X16X1,5	2
6	48600036	SPACER 42X26,5X2,5	2
6	48600037	SPACER 42X26,5X5	2
6	48600038	SPACER 42X26,5X10	2
6	48600053	SPACER 42X26,5X1,5	2
7	48600558S	SCREW CAP M51X1,5 CPL. 07	2
8	48600583S1	CARTRIDGE CPL. 07	2
9	48600484	OUTER TUBE L=500MM D=54/60	2
10	R14011	REPAIR-KIT GASKET 05	1
11	48600401S1	FORK OIL SAE 5 2005	1
12	T511	SILICONE GREASE F. DUST STRI	1
13	48600428	DU-BUSH D47XD49X20DDL02	2
14	48600429	DU-BUSH D48XD52X12DDL02	2
15	48600013	SUPPORT RING 50 X 57,6 X 1,5	2
16	48600347	OIL SEAL RING 48X57,8X9,5 03	2
17	48600070	LOCK WASHER SB58	2
18	48600400	DUST CAP D=48 58,4X11,8	2

077500130 / C077500130

* NEW PART

X AS REQUIRED

FRONT FORK, TRIPLE CLAMP

690 SUPERMOTO PRESTIGE EU 2007

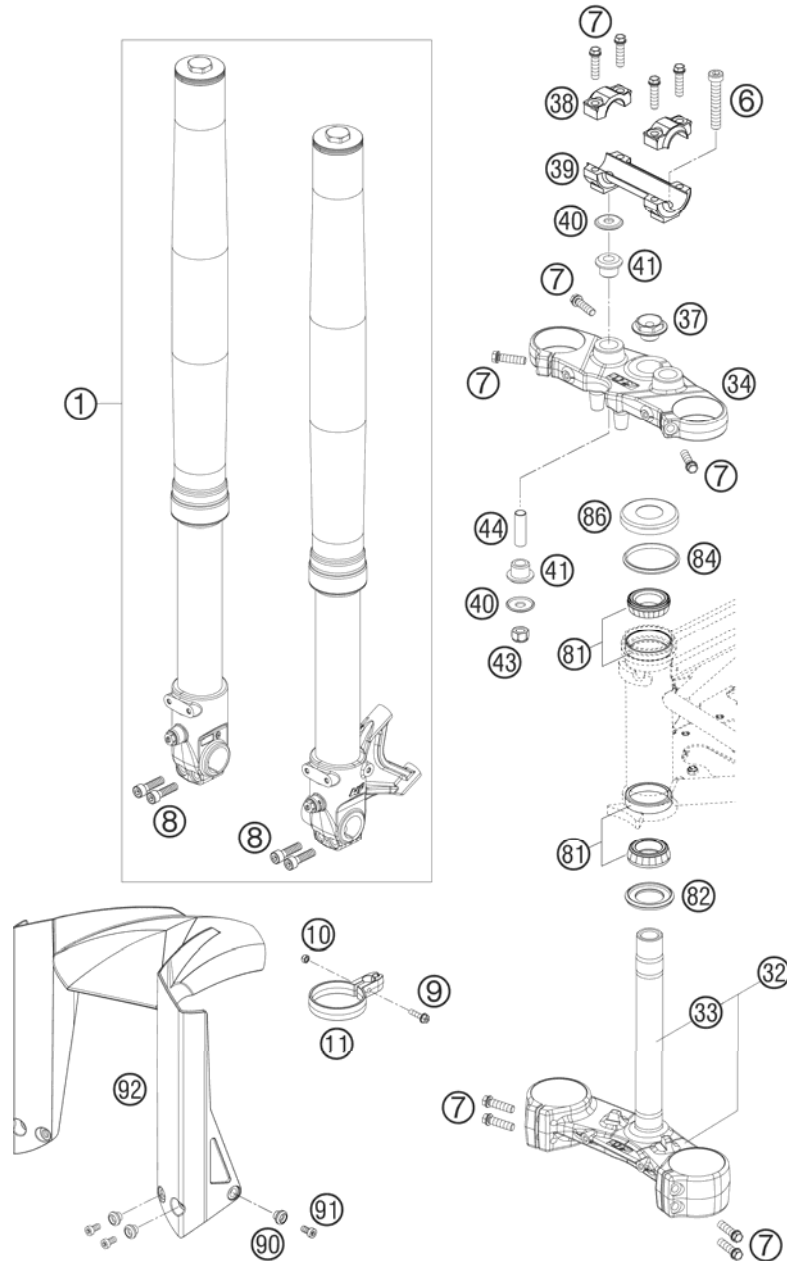


FIG	PART NUMBER	DESCRIPTION	QTY
1	14187C08	FORK WP USD 48MM SM PREST. 07	1
6	0012100603	AH SCREW DIN6912-M10X60	2
7	0015080303	HH COLLAR SCREW M 8X30 WS=10	11
8	0912080303	AH SCREW DIN0912-M 8X30	4
9	0015050203	HH COLLAR SCREW M 5X20 WS=8	1
10	0985050003	SELF LOCKING NUT DIN0985-M 5	1
11	75001070000	CLAMP BRAKE HOSE 07	1
32	7500103203201S	BOTTOM TRIPLE CLAMP CPL. 07	1
33	60001033000	FORK TUBE LC8 ADV 03	1
34	7500103403201S	TOP TRIPLE CLAMP 54MM 07	1
37	54801036000	STEER.HEAD SCREW M20X1,5 WS=27	1
38	5900103830001S	HANDLEBAR CLAMP 28MM 07	2
39	5900103920001S	HANDLEBAR SUPPORT 28MM 07	1
40	56401042000	WASHER 10,5X32X2	4
41	56401040000	RUBBER BUSHING	4
43	0982100003	SELF LOCK.NUT DIN0982-M10 HIGH	2
44	61001041000	SPACER TUBE 10,2X12X38 05	2
81	54201081100	TAPERED ROLLER BEARING CPL. 06	2
82	54601084100	O-RING SUPPORT W. SEALING LIP	1
84	54601184000	STEERING HEAD GASKET TOP	1
86	61001086000	STEERING HEAD COVER 05	1
90	75001094010	BUSHING MUD FLAP 07	6
91	0012060123	AH SCREW DIN6912 M6X12	6
92	7500109400033	SPLASH PROTECTOR BLACK MATT 07	1

077560110 / C077560110

* NEW PART

X AS REQUIRED

HANDLEBAR, CONTROLS

690 SUPERMOTO PRESTIGE EU 2007

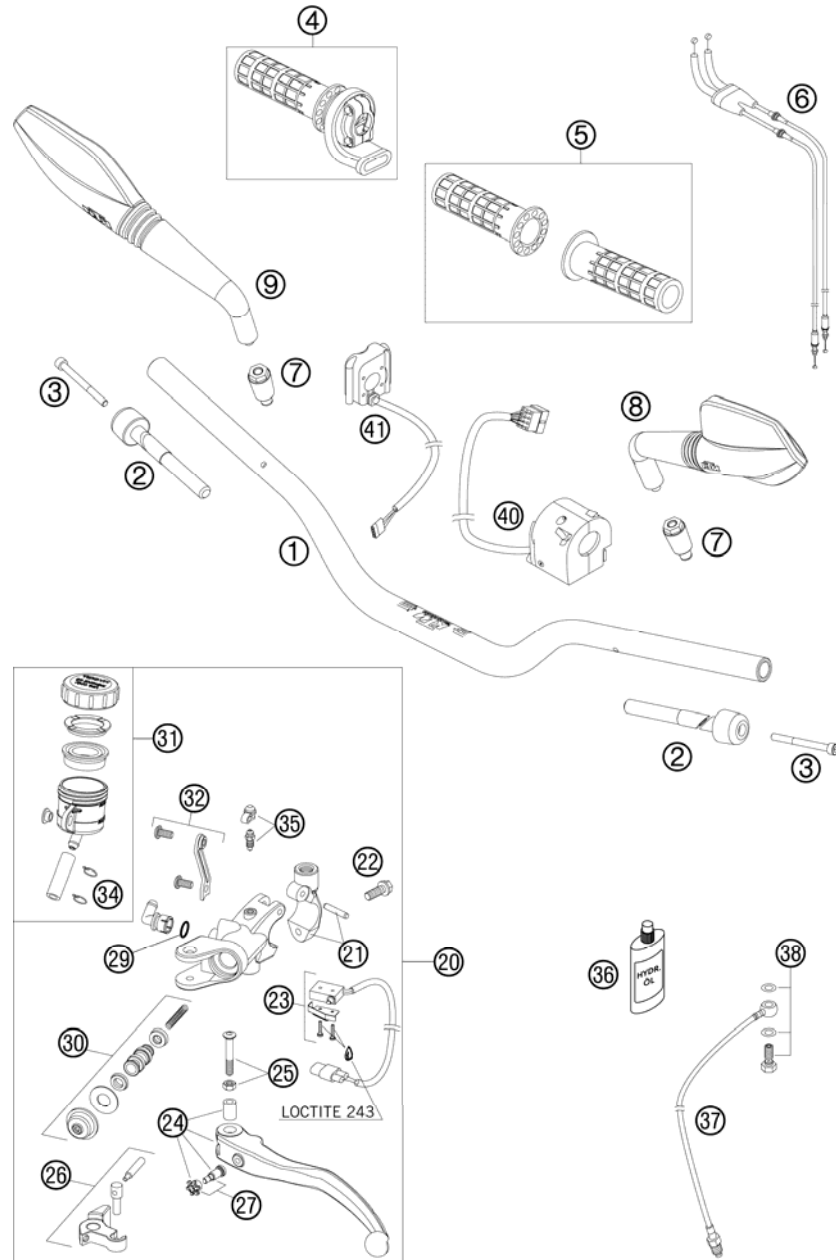


FIG	PART NUMBER	DESCRIPTION	QTY
1	75002001000	HANDLEBAR D=28MM	07
2	61002004000	VIBRATIONS ABSORBER	05
3	0912060653	AH SCREW DIN0912-M 6X65	2
4	75002010044	THROTTLE GRIP CPL.	07
5	58302021100	GRIPP SET	1
6	75002091000	THROTTLE CABLE	07
7	58412040050	SUPPORT FOR MIRROR LC4 '98	2
8	61112040000	REVIEW MIRROR L/S	07
9	61112041000	REVIEW MIRROR R/S	07
20	61002030000	MASTER CYLINDER CPL.	05
21	61002044000	CLAMP MIRROR WITH PIN	1
22	0015060163	HH COLLAR SCREW M 6X16 WS=8	1
23	61011049000	CLUTCH SWITCH	05
24	61002031000	CLUTCH LEVER CPL.	05
25	61002038000	LEVER SCREW CPL.	05
26	61002056000	ROCKER CPL.	05
27	61002043000	ADJUSTING SCREW CPL.	1
29	61002051000	O-RING ANGLE PIECE	1
30	61002032000	REP.SET PISTON D=13	05
31	61002055000	RESERVOIR CPL.	05
32	61002055050	BRACKET AND SCREWS F. RESERV.	1
34	58007117000	YDNAC-CLAMP 10107 10MM	2
35	61002054000	BLEEDER SCREW WITH CAP	1
36	50302036200	OIL FOR HYD. CLUTCH 75ML	1
37	75603206300	CLUTCH PIPE	07
38	59032062000	HOLLOW SCREW HYDR. CLUTCH CPL.	1
40	61011070000	LIGHT SWITCH	05
41	58411074100	START-STOP SWITCH AD LC4 02	1

077560210 / C077560210

* NEW PART

X AS REQUIRED

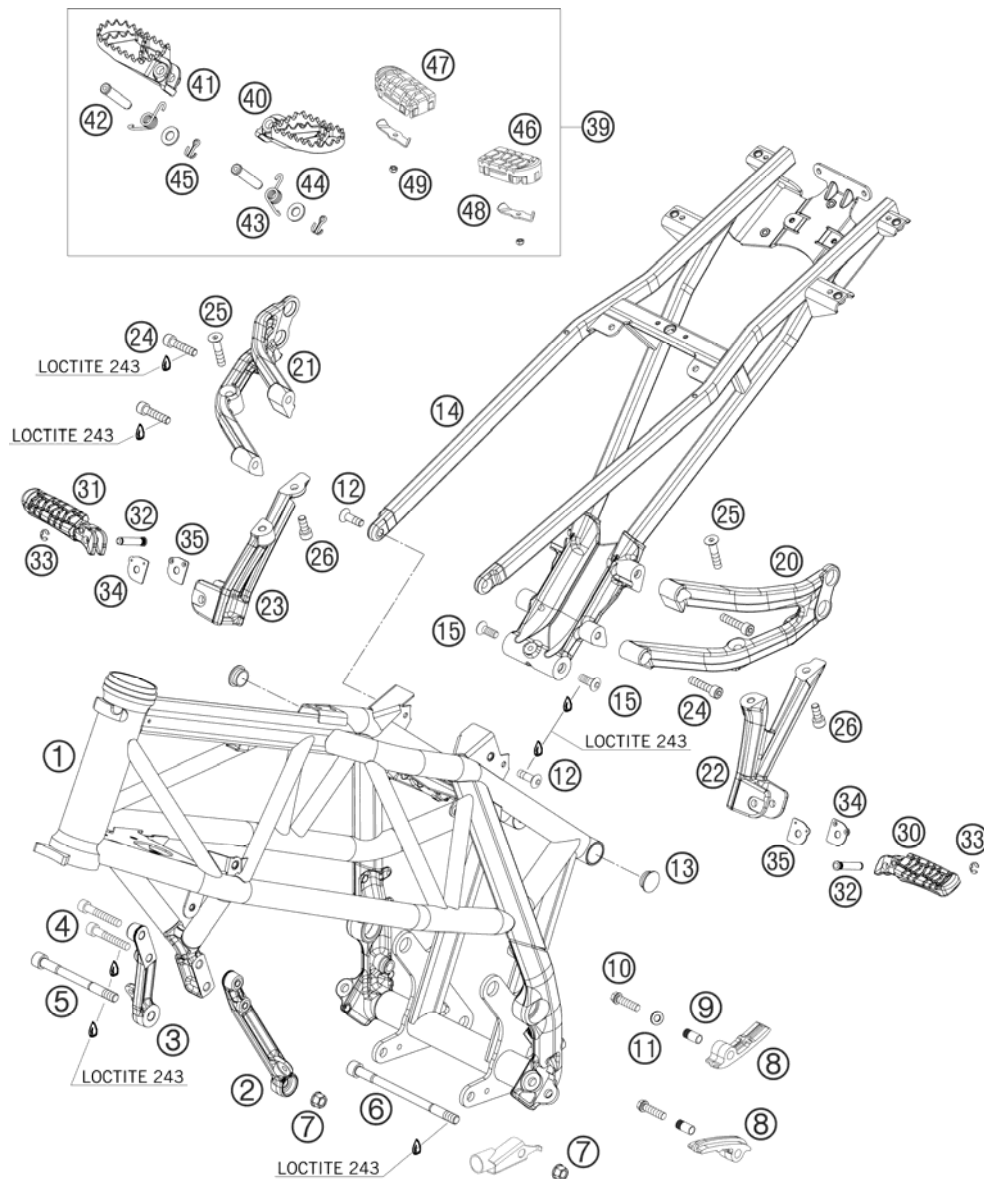


FIG	PART NUMBER	DESCRIPTION	QTY
1	7500300100033	FRAME "EE07" BLACK MATT 07	1
2	7500300104901	CONNECTION BRACKET ENG. L/S 07	1
3	7500310104901	CONNECTION BRACKET ENG. R/S 07	1
4	0912080503	AH SCREW DIN912 M8X50	2
5	75003015000	SPECIAL SCREW M10X115 ISK8 07	1
6	75003014000	SCREW	1
7	54630044000	COLLAR NUT M10 WS=13	2
8	54804067000	CHAIN SLIDING PIECE 03	2
9	51103053051	BUSHING 8,2X10X20	2
10	0015080303	HH COLLAR SCREW M 8X30 WS=10	2
11	0125080003	WASHER DIN0125-A 8,4	1
12	0019080206S	FLAT HEAD SCREW M. ISA45 M8X20	2
13	61003088000	PLUG SFL28 05	2
14	7500300200092	SUB FRAME PLATINUM 07	1
15	60003004027	FL.HEAD SCREW M10X1,25 L=27 03	2
20	7500304800001S	FOOTREST BRACKET REAR L/S 07	1
21	7500304900001S	FOOTREST BRACKET REAR R/S 07	1
22	7500305800001S	FOOTREST CARRIER L/S 07	1
23	7500305900001S	FOOTREST CARRIER R/S 07	1
24	0912080353	AH SCREW DIN0912-M 8X35	4
25	0991080403	FLAT HEAD SCREW DIN7991-M 8X40	2
26	0912080203	AH SCREW DIN912 M8x20	2
30	60003050000	FOOTREST CPL. L/S REAR 03	1
31	60003051000	FOOTREST CPL. R/S REAR 03	1
32	60003044000	BOLT FOR FOOTREST REAR 03	2
33	0799060003	TAB WASHER DIN6799-RS 6,0	2
34	60003052000	ENGAGE PANEL FOOTREST R/S 03	2
35	60003152000	ENGAGE PANEL FOOTREST L/S 03	2
39	60003040033	FOOTREST L/S+R/S CPL. 03	1
40	59003040250	FOOT PED L/S SILVER 02	1
41	59003041250	FOOT PED R/S SILVER 02	1
42	54803044000	BOLT FOR FOOT PED 03	2
43	54603041000	FOOTREST SPRING L/S & R/S	2
44	0125100003	WASHER DIN0125-A10,5	2
45	0094032253	PIN DIN0094-3,2X25 STEEL	2
46	60003040010	FOOTREST RUBBER FRONT L/S 03	1

077500310 / C077500310

* NEW PART

X AS REQUIRED

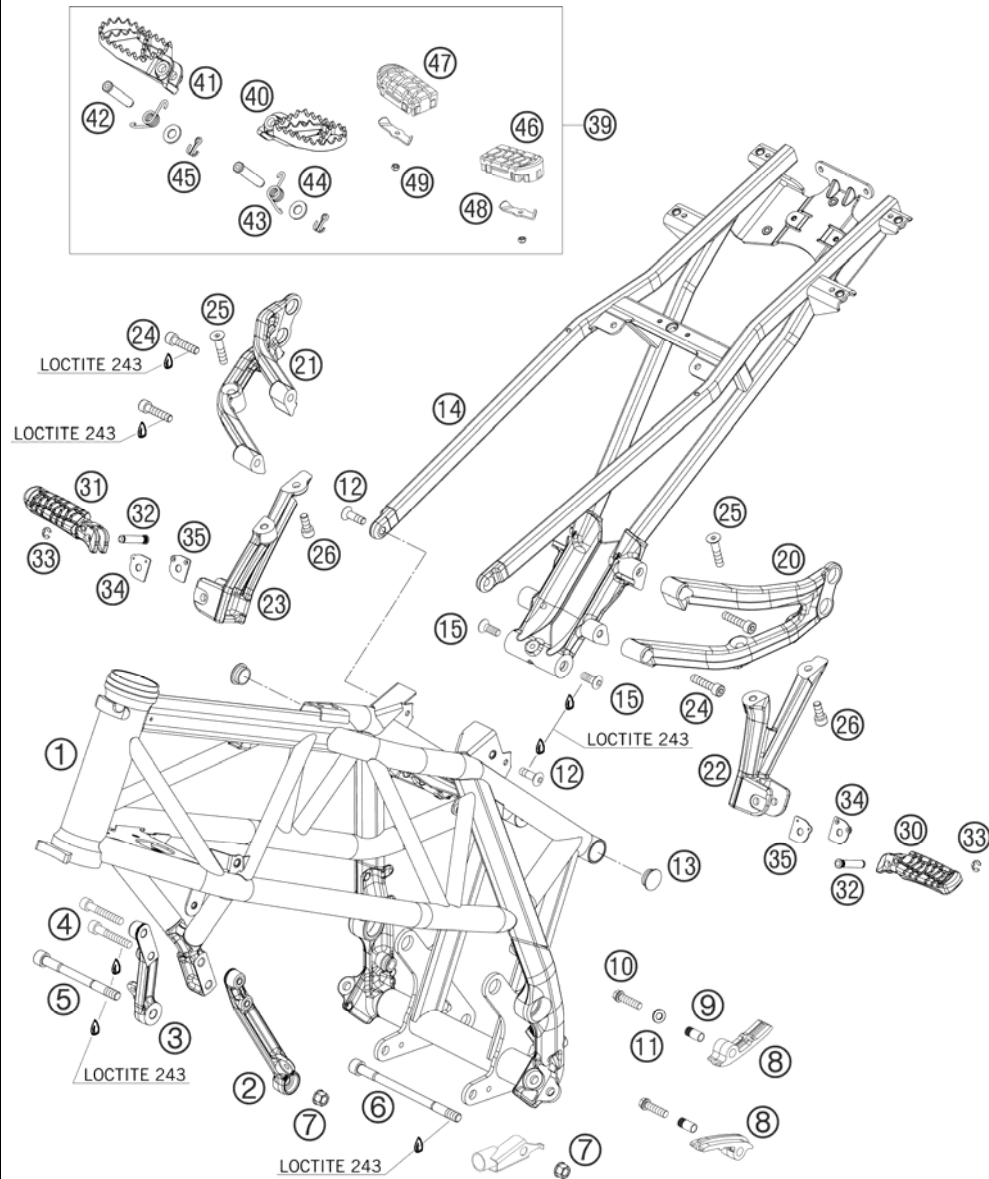


FIG	PART NUMBER	DESCRIPTION	QTY
47	60003041010	FOOTREST RUBBER FRONT R/S 03	1
48	60003044010	CLOSING PANEL FRONT L/S R/S 03	2
49	0985050003	SELF LOCKING NUT DIN0985-M 5	2

077500310 / C077500310

* NEW PART

X AS REQUIRED

SIDE / CENTER STAND

690 SUPERMOTO PRESTIGE EU 2007

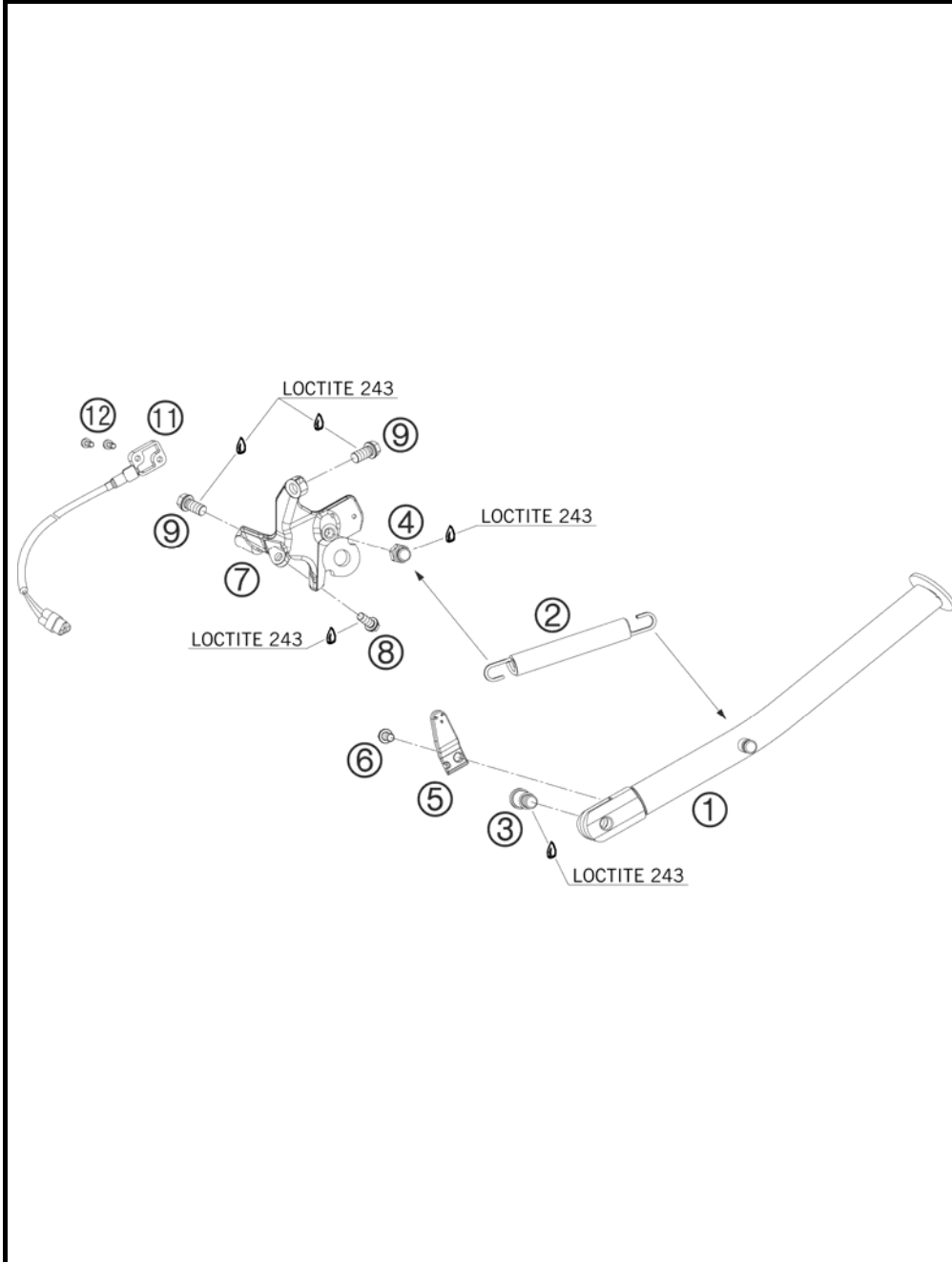


FIG	PART NUMBER	DESCRIPTION	QTY
1	7500302300033	SIDE STAND L=293MM 07	1
2	61003024000	SPRING L=116 MM 05	1
3	62503027100	SCREW F. SIDE STAND M10X31,2	1
4	75003028001	SPE. SCREW SIDE STAND SPRING	1
5	62503029050	MAGNET HOLDER 05	1
6	0015060123	HH COLLAR SCREW M 6X12 WS=8	1
7	75003023053	SIDESTAND BRACKET FORGING	1
8	59009062016	SPECIAL SCREW M6X16 WS=8 10.9	1
9	0015080163	HH COLLAR SCREW M 8X16 WS=10	2
11	61011045000	SIDE STAND SENSOR 05	1
12	0084040083	CYL.HEAD SCREW DIN0084-M 4X8 A	2

077500360 / C077500360

* NEW PART

X AS REQUIRED

MONOSHOCK

690 SUPERMOTO PRESTIGE EU 2007

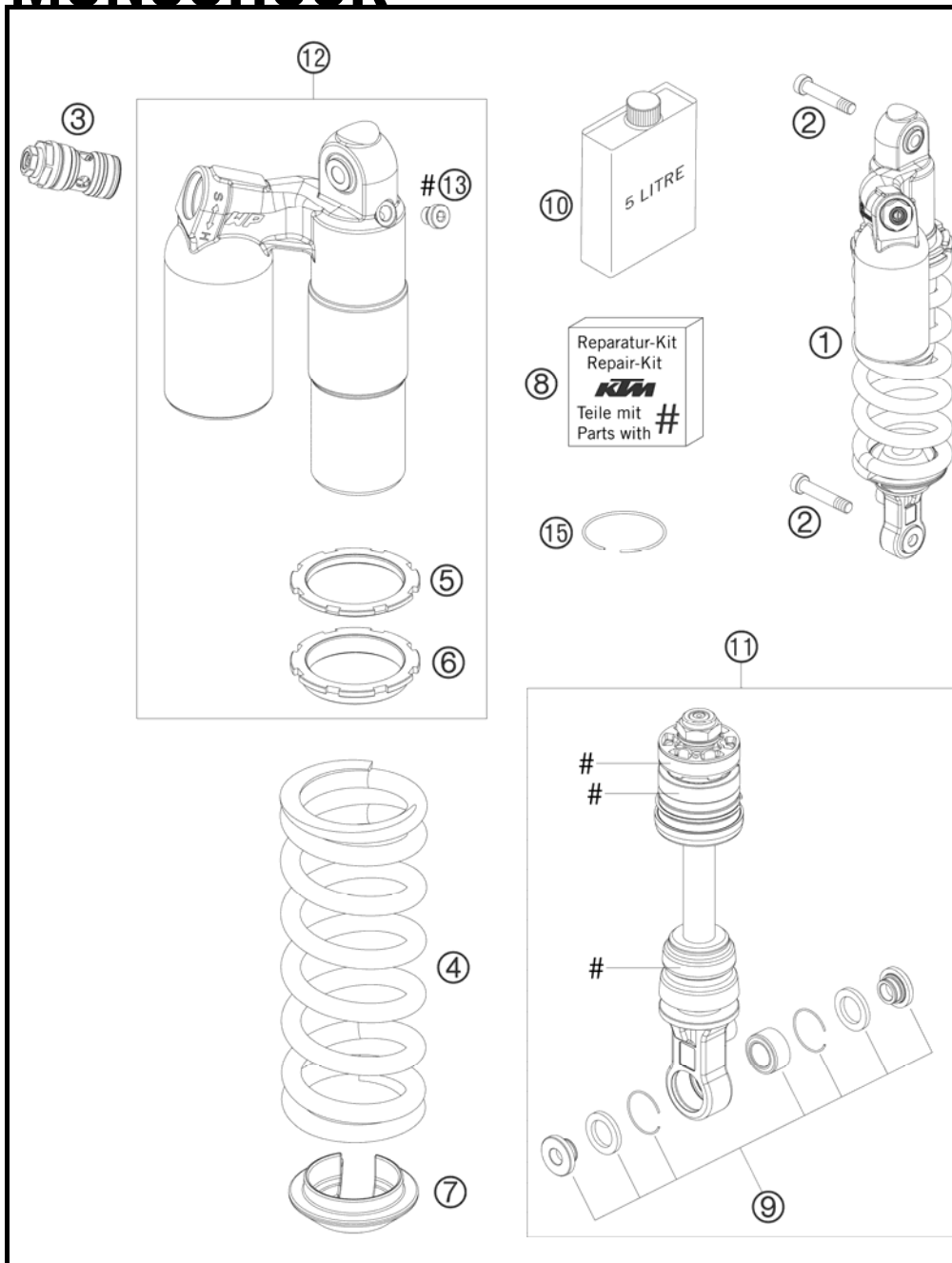


FIG	PART NUMBER	DESCRIPTION	QTY
1	15187C08	MONOSHOCK SM PRESTIGE 07	1
2	75004016000	SCREW M 10 L=53MM 07	2
3	46180533S	DCC-COMPR.DAMP.CONTROL CPL. 07	1
4	91110001S	SPRING 65-230 (61) D=11,0	1
5	46180445	COUNTERNUT	1
6	46180444	ADJUSTING NUT	1
7	46180396	SPRING RETAINER H=15 D=28	1
8	R15004	REPAIR KIT GASKET 05	1
9	R15006	REPAIR KIT BEARINGS 07	1
10	50180342S1	SHOCK ABSORBER FLUID 5 LT '03	1
11	46180520S1	MOUNT EYE CPL. 07	1
12	46180442S1	SHOCK ABS. CASE TOP 07	1
13	50180095	BLEED PLUG R 1/8	1
15	46810010	CIRCLIP 49X1,5	1

077500411 / C077500411

* NEW PART

X AS REQUIRED

PRO LEVER LINKING

690 SUPERMOTO PRESTIGE EU 2007

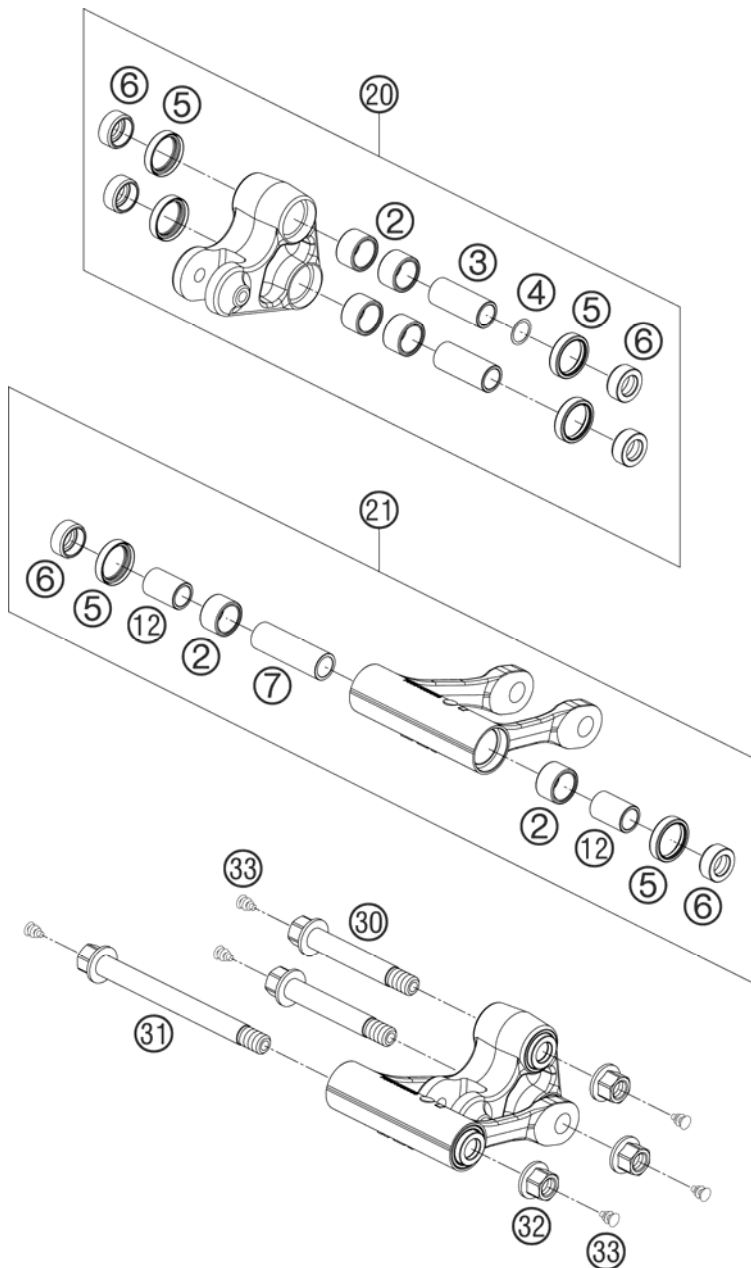


FIG	PART NUMBER	DESCRIPTION	QTY
2	54603097000	NEEDLE BUSH HK 2016	6
3	54603081000	BUSHING SLEEVE 15 X 20 X 48	2
4	54603090020	STEEL WASHER 15,2X19X0,2	1
5	0760253270	SHAFT SEAL RING 25X32X7	6
6	58303090000	SPAC.F.SHAFT SEALRING 15X25X11	6
7	75004084000	SPACER SLEEVE 15X20X63 07	1
12	50203081800	BEARING BUSHING	2
20	7500408004401	SETTING LEVER CPL. 07	1
21	7500408304401	INTERMEDIATE LEVER CPL. 07	1
30	54603182044	BOLT CPL.	2
31	75004085044	BOLT KPL	1
32	54603015000	SELF LOCKING NUT M14X1,5 WS=19	3
33	54403135000	PLASTIC CAP SFL10	6

077500460 / C077500460

* NEW PART

X AS REQUIRED

SWING ARM

690 SUPERMOTO PRESTIGE EU 2007

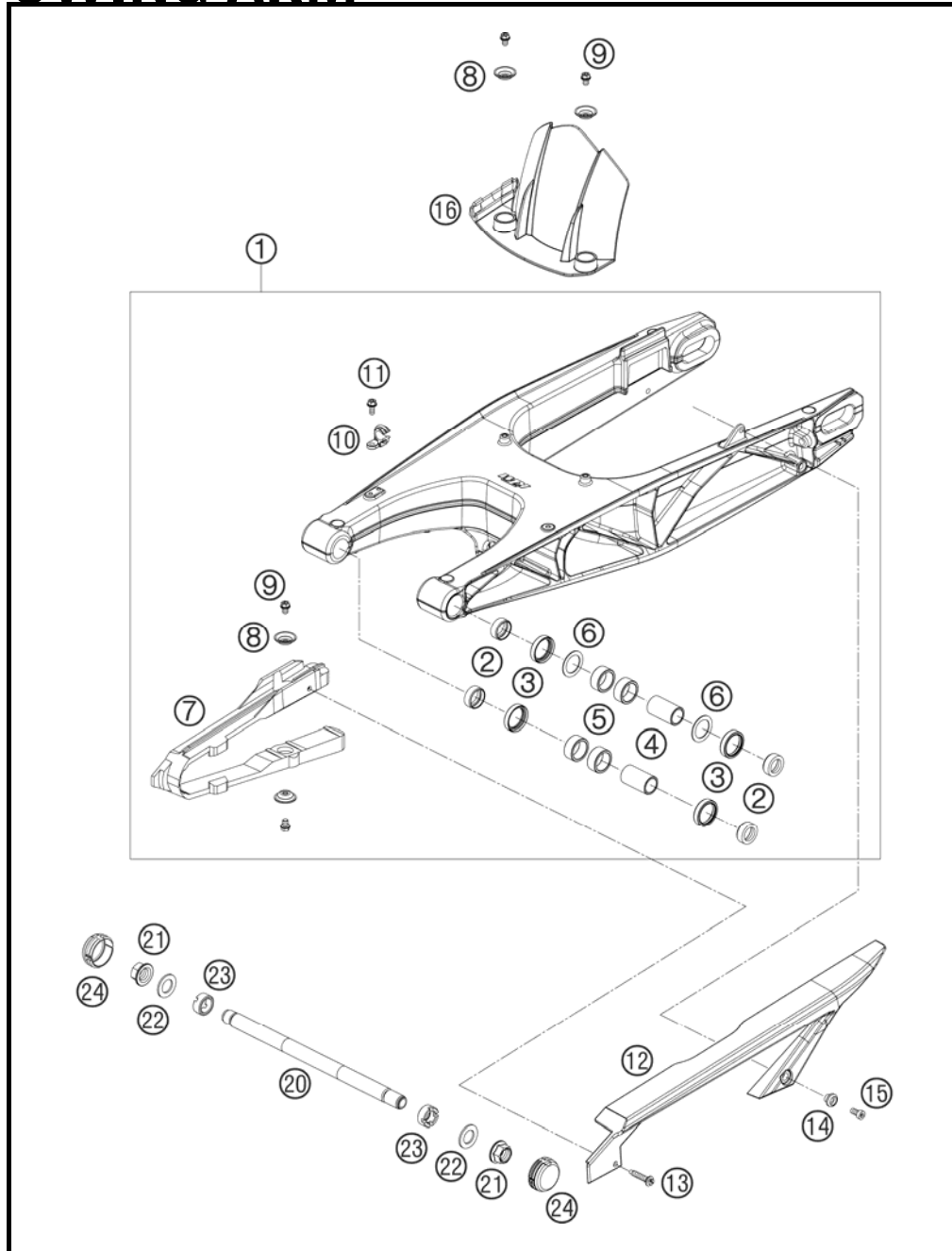


FIG	PART NUMBER	DESCRIPTION	QTY
1	7500403004433	SWING SM CPL. 07	1
2	54804034000	BUCKET F. SHAFT SEAL RING 03	4
3	0760253270	SHAFT SEAL RING 25X32X7	4
4	59404032000	BEARING SLEEVE 17X22X38,7 03	2
5	59004031100	NEEDLE BEARING HK2212V	4
6	54603036000	STOP DISK 22,2X31,7X1	2
7	75004066000	CHAIN SLIDING PROTECTION 07	1
8	72210079000	BUCKET	4
9	0015060083	HH COLLAR SCREW M 6X8 WS=8	4
10	5461107610030	RET. CLAMP F. BRAKE HOSE BLACK	1
11	0015050123	HH COLLAR SCREW M 5X12 WS=8	1
12	75004060000	CHAIN GUARD	1
13	0017060303	SPECIAL SCREW T60 6X30 WS=6	1
14	75001094010	BUSHING MUD FLAP 07	1
15	0012060123	AH SCREW DIN6912 M6X12	1
16	75004050000	MUD FLAP 07	1
20	75004037000	SWING ARM BOLT L=272MM 07	1
21	54804038000	SELF LOCK.NUT M16X1,5 WS=19 03	2
22	75004042000	WASHER 07	2
23	75004046000	ADJUSTING RING M24X1,5 07	2
24	75003088000	PLASTIC CAP 07	2

077500490 / C077500490

* NEW PART

X AS REQUIRED

EXHAUST SYSTEM

690 SUPERMOTO PRESTIGE EU 2007

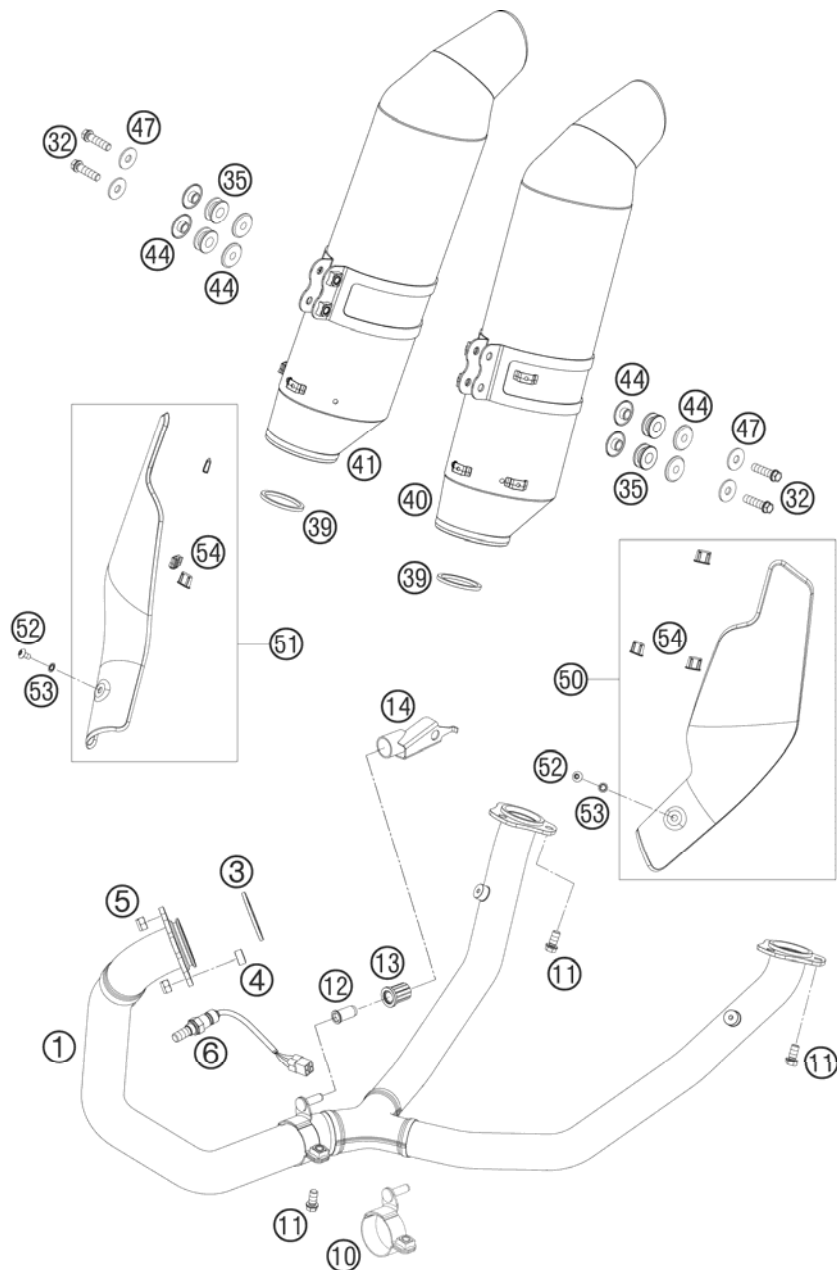


FIG	PART NUMBER	DESCRIPTION	QTY
1	75005007000	EXHAUST MANIFOLD 07	1
3	61005005000	EXHAUST GASKET 05	1
4	61005009000	SPACER BUSH. 8,5X15X7,5 05	1
5	51010086100	SELF LOCKING NUT M 8 CU	2
6	75041090000	LAMBDA SENSOR 07	1
10	75005007020	BRACKET CPL. 07	1
11	0015080163	HH COLLAR SCREW M 8X16 WS=10	7
12	61005014000	SLEEVE SILENCER SUPPORT 05	1
13	61005013000	RUBBER SILENCER SUPPORT 05	1
14	75005014000	BRACKET FOR SILENCER 07	1
32	0015080303	HH COLLAR SCREW M 8X30 WS=10	4
35	54605068000	EXHAUST BRACKET RUBBER BLACK	4
39	60005005002	EXHAUST GASKET 03	2
40	75005083100	SILENCER L/S LC-4 07	1
41	75005083000	SILENCER R/S LC-4 07	1
44	54605069100	BUSHING 8MM F. EXHAUST SUPPORT	8
47	0021080003	WASHER DIN9021-A 8,4	4
50	75005111000	THERMAL SHIELD L/S 07	1
51	75005011000	THERMAL SHIELD R/S 07	1
52	58605083010	SCREW TORX M5X10 05	2
53	0797050000	TOOTH LOCK WASHER DIN6797-J	2
54	61005091000	DAMP. COMPON. SILICONE GREY 05	3

077500510 / C077500510

* NEW PART

X AS REQUIRED

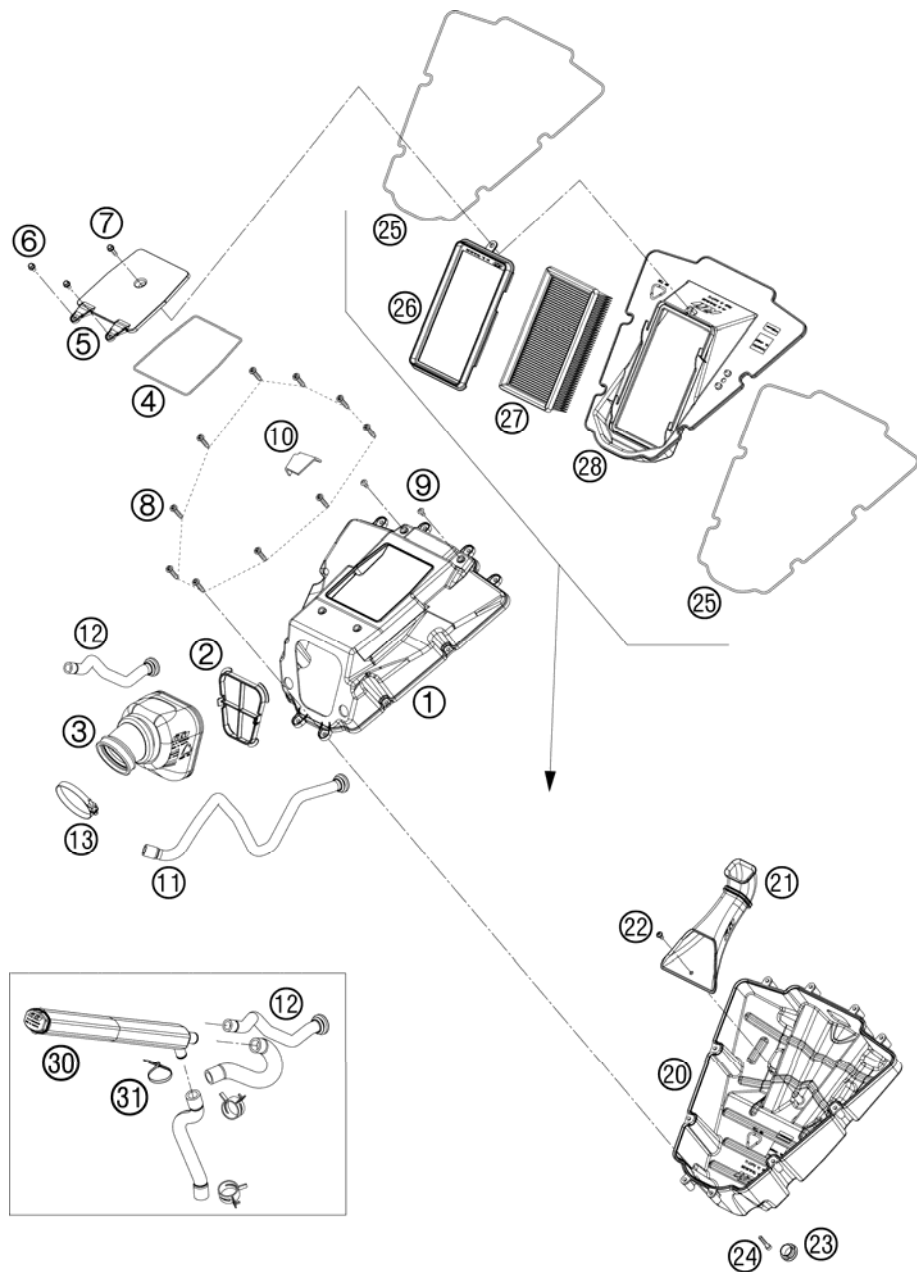


FIG	PART NUMBER	DESCRIPTION	QTY
1	75006001010	AIRBOX UPPER-PART	1
2	75006001040	FILTERBOX SUPPORT CROSS	1
3	75006026000	INTAKE TRUMPET	1
4	75006091000	GASKET FILTER BOX COVER 07	1
5	75006002000	FILTER BOX COVER 07	1
6	0015050103	HH COLLAR SCREW M 5X10 WS=8	2
7	0015050203	HH COLLAR SCREW M 5X20 WS=8	1
8	0017060303	SPECIAL SCREW T60 6X30 WS=6	10
9	58605083010	SCREW TORX M5X10 05	2
10	75006001015	METAMOL FOR AIR FILTER BOX 07	1
11	75005032000	HOSE SLS AIRFILTERBOX 07	1
12	75030088000	HOSE OIL SEPARATOR - BREATH.07	1
13	51006027000	HOSE CLAMP 50-70MM	1
20	75006001020	AIRBOX LOWER-PART 07	1
21	75006040000	INTAKE SNORKEL 07	1
22	0016050121	SCREW FOR PLASTIC 50X12	1
23	61003088000	PLUG SFL28 05	1
24	0912050303	AH SCREW DIN0912-M 5X30	1
25	75006090000	GASKET FILTER BOX 07	2
26	75006001050	FILTER FRAME 07	1
27	75006015000	AIRFILTER	1
28	75006001030	AIRBOX MIDDLE-PART 07	1
30	75030087000	OIL SEPARATOR FOAM 07	1
31	44011076200	CABLE TIE 200/3,6MM BLACK	3

077500610 / C077500610

* NEW PART

X AS REQUIRED

FUEL PUMP

690 SUPERMOTO PRESTIGE EU 2007

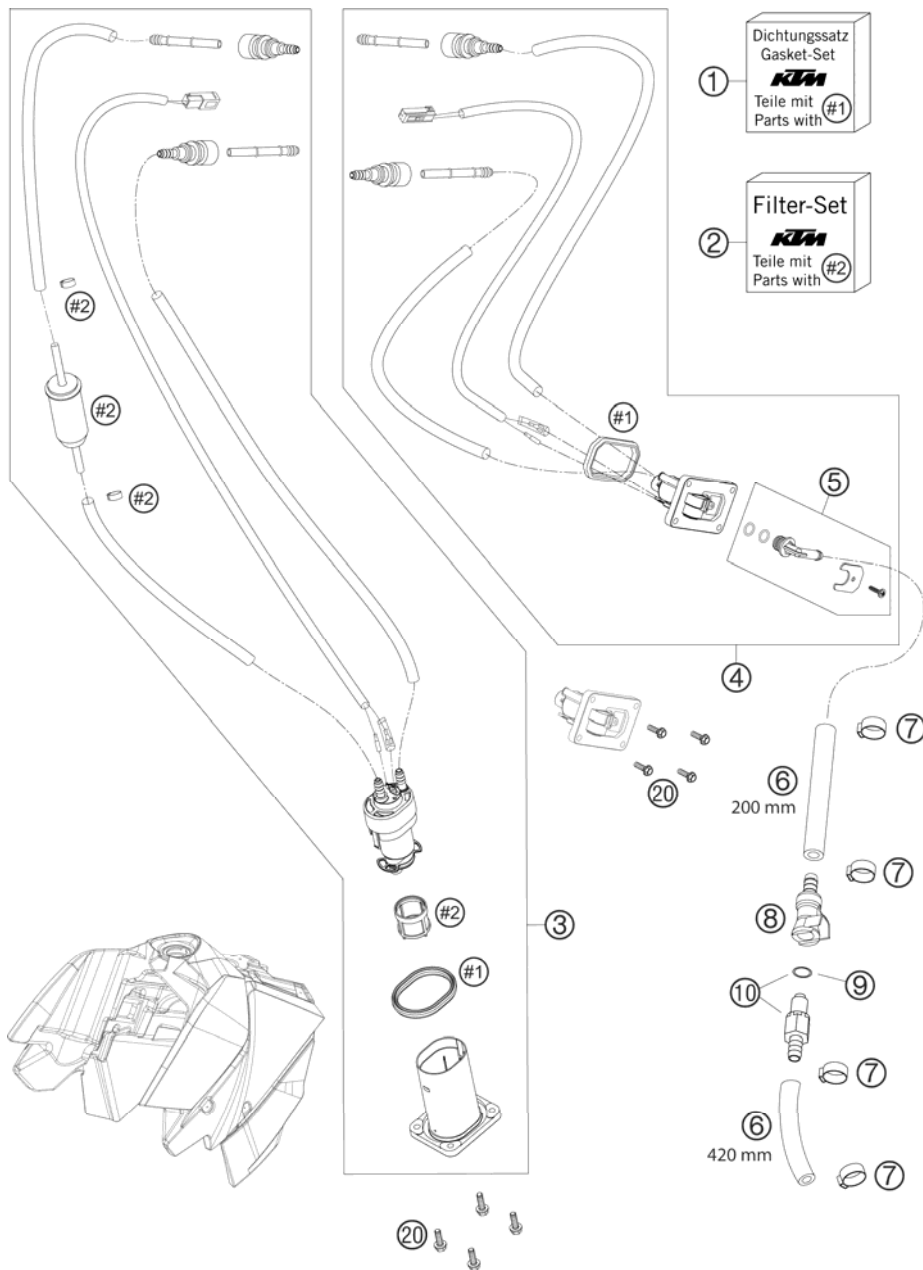


FIG	PART NUMBER	DESCRIPTION	QTY
1	75007089000	SEALINGS KIT	1
2	75007090000	FILTER KIT	1
3	75007088011	FUEL PUMP WITH FLANGE CPL.	1
4	75007088012	PRESSURE REGULATOR CPL. 07	1
5	75007092000	HYDRAULIC CONNECTOR CPL.	1
6	60007016001	HOSE 7,5X13,5 PER METER	x
7	00050153706	VARIABLE ONE-EAR CLAMP 15,3MM	4
8	5850701050030	CLUTCH CPC BLACK 05	1
9	58507012000	O-RING VITON F. PLUG CPC 05	1
10	5850701030030	PLUG CPC BLACK 05	1
20	0015050163	HH COLLAR SCREW M 5X16 WS=8	8

077500730 / C077500730

* NEW PART

X AS REQUIRED

TANK, SEAT, COVER

690 SUPERMOTO PRESTIGE EU 2007

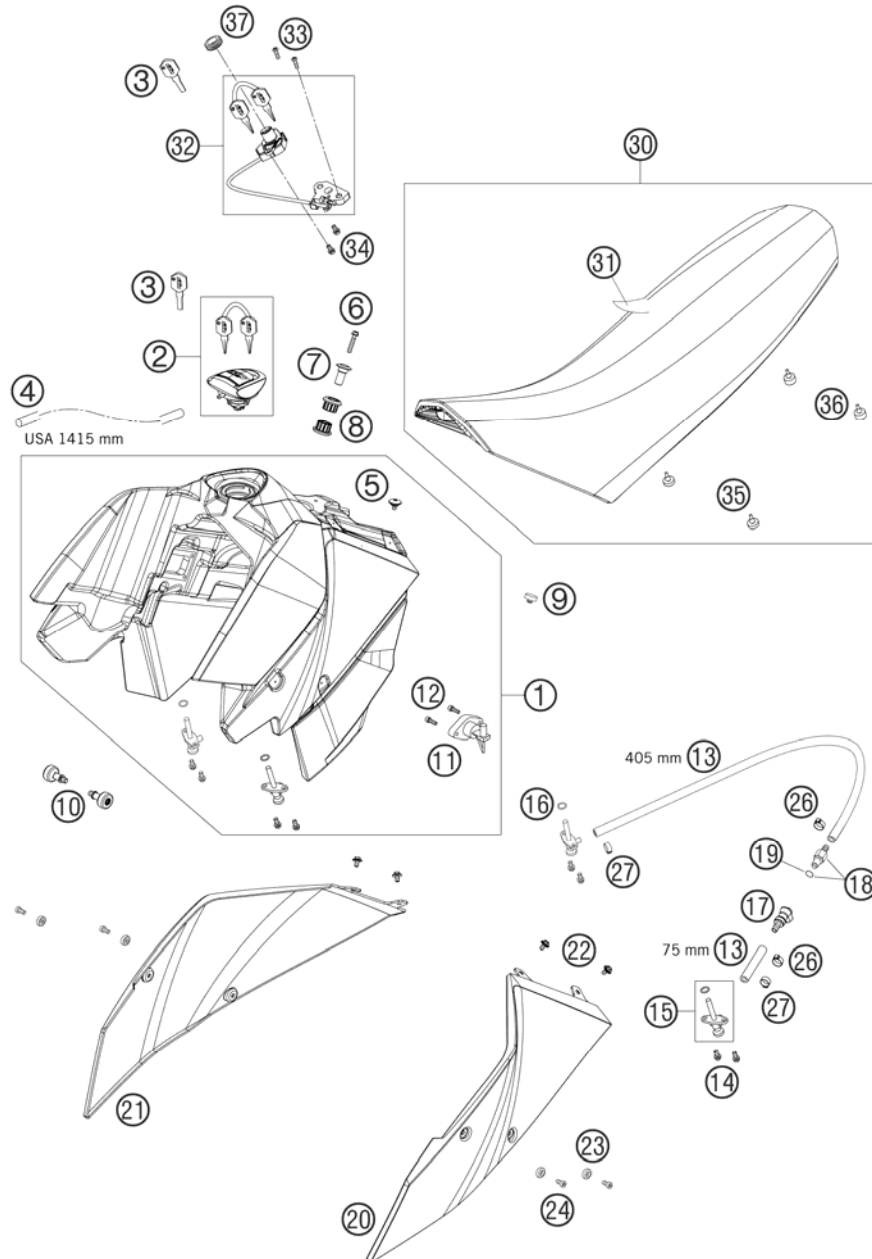


FIG	PART NUMBER	DESCRIPTION	QTY
1	7500701304433A	FUEL TANK BLACK CPL. 07	1
2	58407008200	TANK PLUG 06	1
3	40011166100	KEY BLANK LC4/DUKE/LC8	1
4	60007026001	HOSE NBR 5,4X9,4 PER METER	x
5	58407011100	SCREW FOR SEAT M6X11,5/8	1
6	0912080303	AH SCREW DIN0912-M 8X30	1
7	60007060000	BEARING BUSHING OUTSIDE 03	1
8	60007065000	TANK RUBBER BUSHING 03	2
9	54308042000	RUBBER BUFFER	1
10	62507026100	SPECIAL SCREW M8 06	2
11	58207080100	GAS-LEVEL SENSOR ADV. 2006	1
12	0912050163	AH SCREW DIN0912-M 5X16	2
13	60007016001	HOSE 7,5X13,5 PER METER	x
14	0015060123	HH COLLAR SCREW M 6X12 WS=8	4
15	58507003000	FUEL COCK CPL. SMALL RALLYE'96	2
16	55007006200	O-RING 11X1,8 NBR 70	2
17	5850701050030	CLUTCH CPC BLACK 05	1
18	5850701030030	PLUG CPC BLACK 05	1
19	58507012000	O-RING VITON F. PLUG CPC 05	1
20	7500805000059A	SPOILER L/S+DECAL TITANIUM 07	1
21	7500805100059A	SPOILER R/S+DECAL TITAN. 07	1
22	0014060103	HH COLLAR SCREW M 6X10 WS=8	4
23	60008045000	SPECIAL WASHER D=16,5MM 03	4
24	0012060123	AH SCREW DIN6912 M6X12	4
26	00050153706	VARIABLE ONE-EAR CLAMP 15,3MM	2
27	00050142706	VARIABLE ONE-EAR CLAMP 14,2 MM	2
30	75007040000	SEAT BLACK 07	1
31	75007040080	SEAT COVER LOW	1
32	62507050000	SEAT LOCK 05	1
33	0966050203	OVAL HEAD SCREW DIN0966-M 5X20	2
34	0015050123	HH COLLAR SCREW M 5X12 WS=8	2
35	75007046020	SEAT RUBBER 6 MM	2
36	75007046010	SEAT RUBBER 10 MM	2
37	58707050050	RUBBER SLEEVE F.SEAT LOCK '99	1

077500710 / C077560710

* NEW PART

X AS REQUIRED

MASK, FENDERS

690 SUPERMOTO PRESTIGE EU 2007

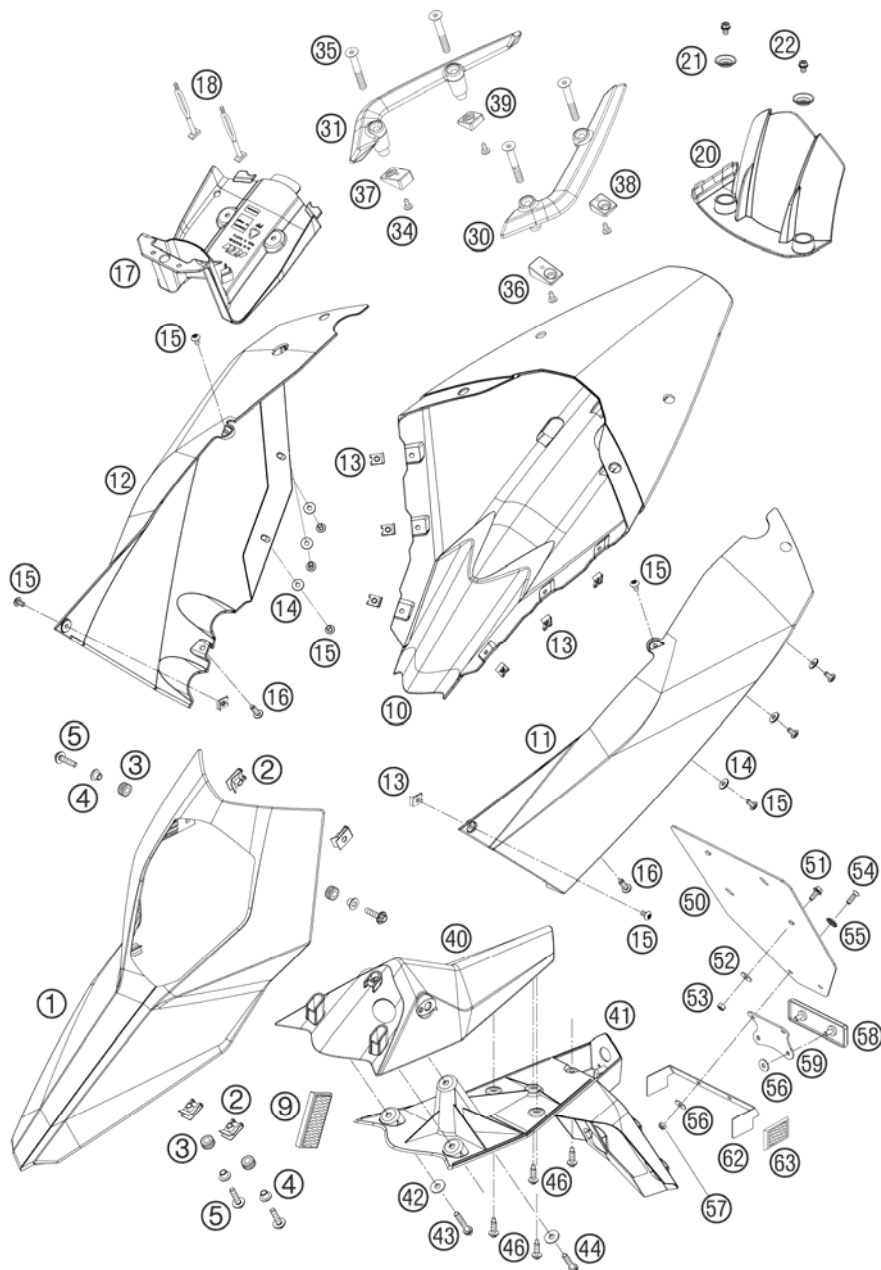


FIG	PART NUMBER	DESCRIPTION	QTY
1	7500800100059A	HEAD LIGHT TITANIUM 07	1
2	54603048100	RANGE CHANGE METAL NUT M6	4
3	31008060000	RUBBER SLEEVE D=8MM OPEN	4
4	75014010050	COLLAR BUSHING 6,1X8,1X14X8 07	4
5	0014060253	HH COLLAR SCREW M 6X25 WS=8	4
9	60012080000	SIDE REFLECTOR YELLOW 03	2
10	7500801300033	REAR FENDER BLACK MATT 07	1
11	7500804100059A	SIDE COVER L/S+DECAL TITAN. 07	1
12	7500804200059A	SIDE COVER R/S+DECAL TITAN. 07	1
13	54603048200	RANGE CHANGE METAL NUT M5	8
14	75008023000	WASHER REAR-UT D=14MM	6
15	58605083014	SCREW M5X14 TORX 25 07	10
16	0017060203	EJOT PT SCREW K60X20 WS=6	2
17	75003075000	STORAGE COMPARTMENT	1
18	50303018000	RUBBER L=145MM	2
20	75004050000	MUD FLAP 07	1
21	72210079000	BUCKET	2
22	0015060083	HH COLLAR SCREW M 6X8 WS=8	2
30	75012008000	HAND GRIP L/S 07	1
31	75012009000	HAND GRIP R/S 07	1
34	0016050121	SCREW FOR PLASTIC 50X12	4
35	0991080603	FLAT HEAD SCREW ISO10642 M8X60	4
36	75003065000	SPACER SUB FRAME FRONT L/S	1
37	75003066000	SPACER SUB FRAME FRONT R/S	1
38	75003067000	SPACER SUB FRAME REAR L/S	1
39	75003068000	SPACER SUB FRAME REAR R/S	1
40	75008015010	NUMBER PLATE CARRIER TOP 07	1
41	75008015000	NUMBER PLATE CARRIER 07	1
42	0021060003	WASHER DIN9021-A 6,4	3
43	0015060353	HH COLLAR SCREW M 6X35 WS=8	2
44	0015060203	HH COLLAR SCREW M 6X20 WS=8	1
45	0017060303	SPECIAL SCREW T60 6X30 WS=6	2
46	0017060203	EJOT PT SCREW K60X20 WS=6	2
50	60012081200	LICENCE FITTING 06	1
51	0014060153	HH COLLAR SCREW M 6X15 WS=8	4
52	0021060003	WASHER DIN9021-A 6,4	4

077500810 / C077560810

* NEW PART

X AS REQUIRED

MASK, FENDERS

690 SUPERMOTO PRESTIGE EU 2007

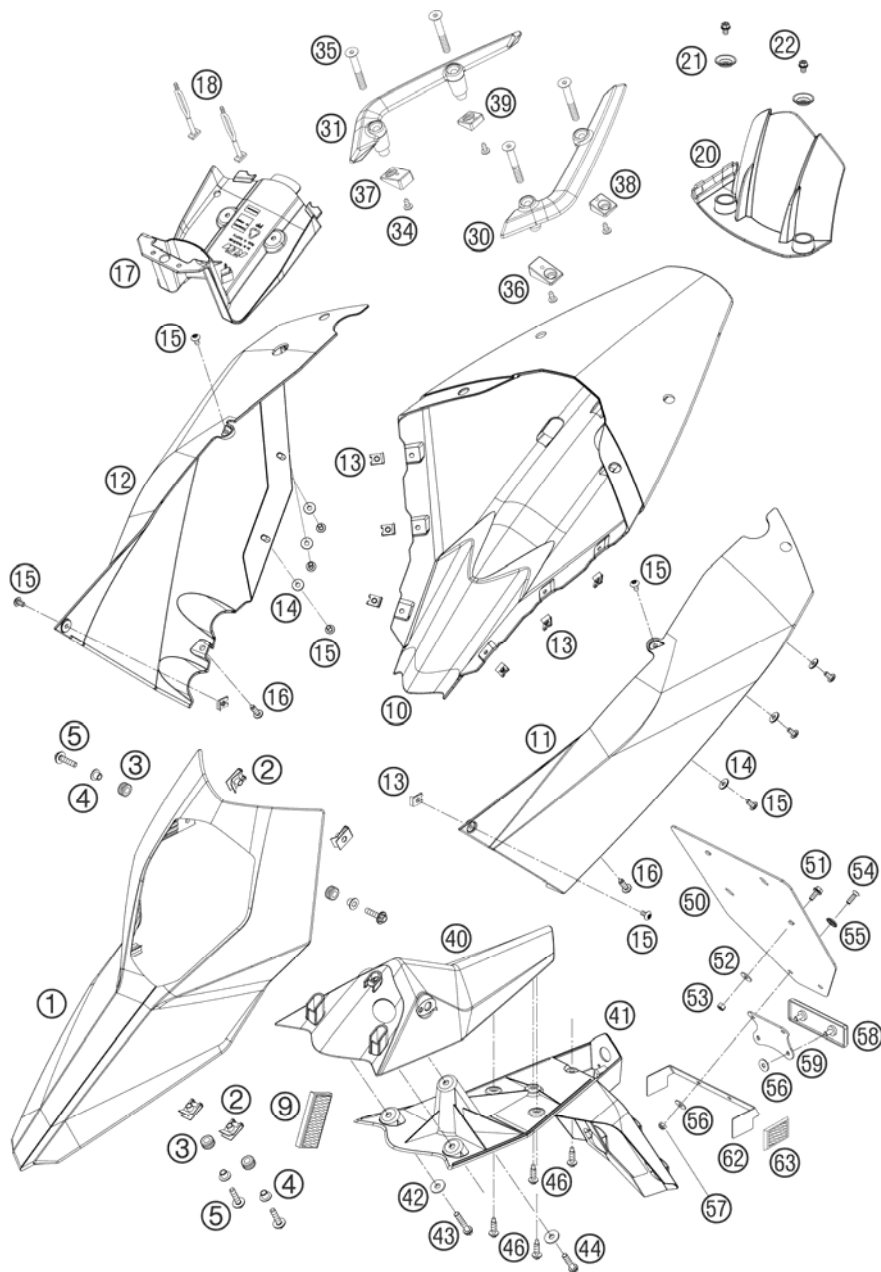


FIG	PART NUMBER	DESCRIPTION	QTY
53	0985060003	SELF LOCK. NUT DIN0985-M 6	4
54	0966050163	OVAL HEAD SCREW DIN0966-M 5X16	2
55	40006006000	WASHER 6MM	2
56	0125050003	WASHER DIN0125-A 5,3	4
57	0985050003	SELF LOCKING NUT DIN0985-M 5	4
58	58412080000	REFLECTOR RED LC4 '98	1
59	58412080050	BRACKET FOR REFLECTOR	1
62	62512081000	BRACKET SIDE REFLECTOR	06
63	16512180100	SIDE REFLECTOR RED REAR ONLY FOR USA	1

077500810 / C077560810

* NEW PART

X AS REQUIRED

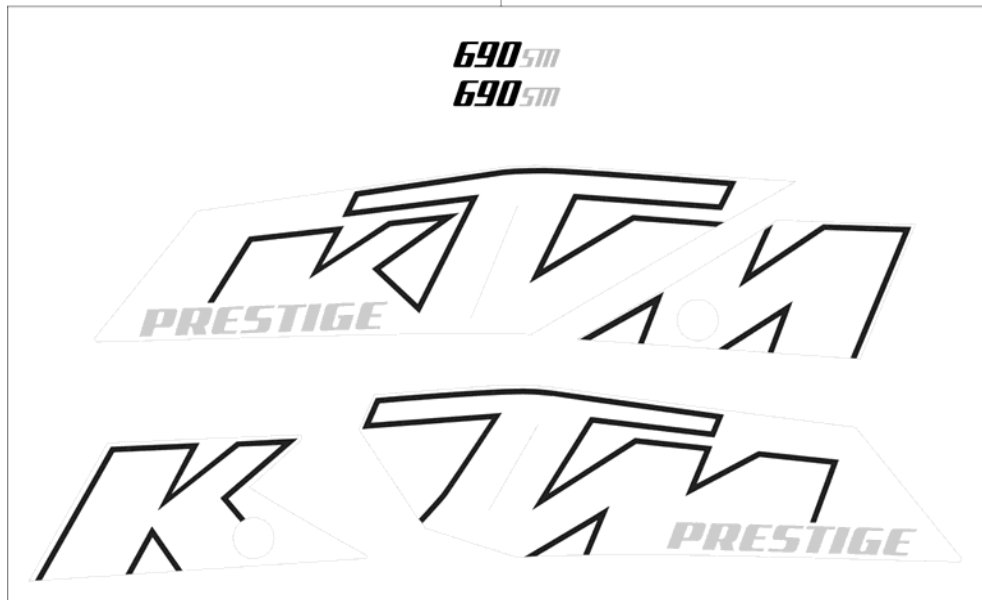
DECAL

690 SUPERMOTO PRESTIGE EU 2007

FIG	PART NUMBER	DESCRIPTION	QTY
1	75608099000	DECAL SET 690 SM PRESTIGE 07	1

①

690sm
690sm



077560830 / C077560830

* NEW PART

X AS REQUIRED

FRONT WHEEL

690 SUPERMOTO PRESTIGE EU 2007

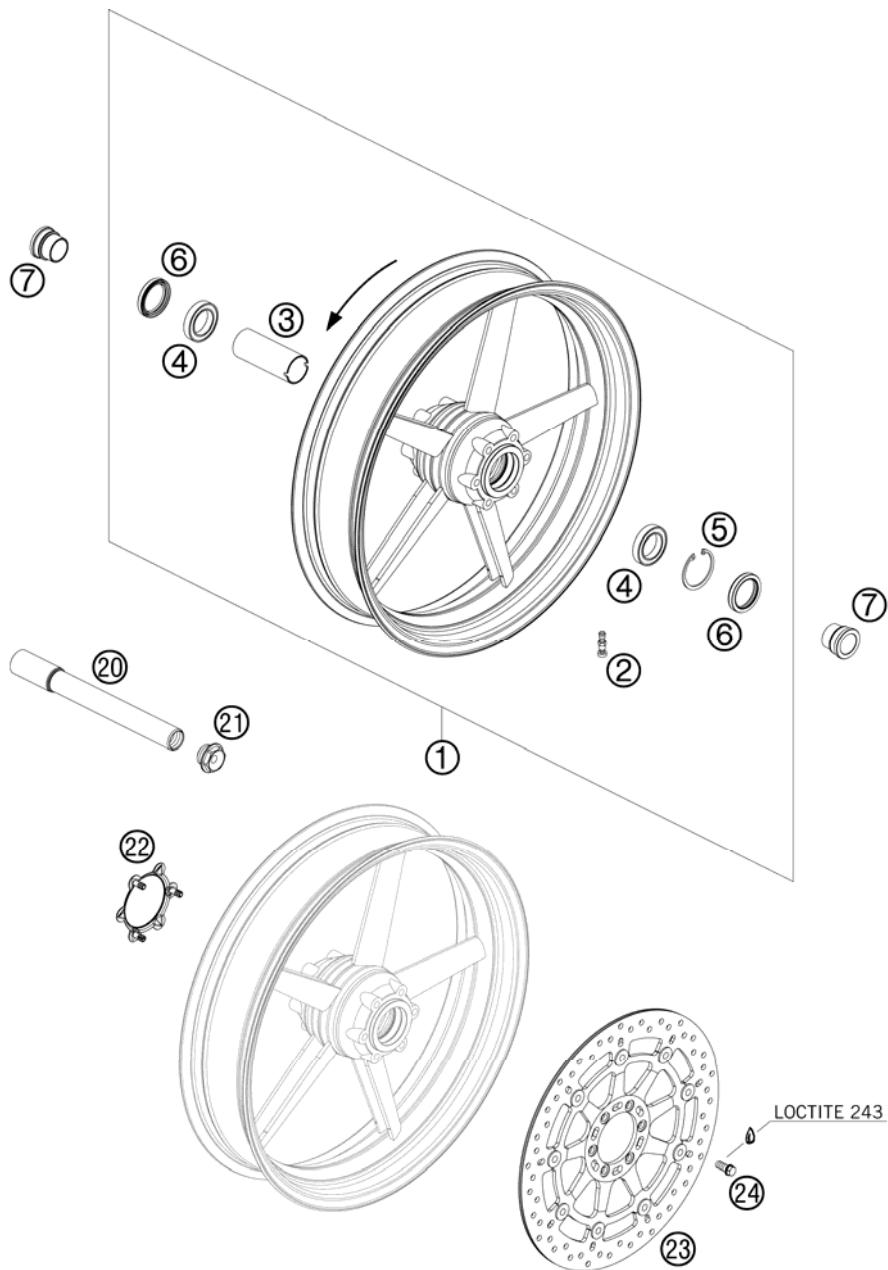


FIG	PART NUMBER	DESCRIPTION	QTY
1	7560900104433	FRONT WHEEL CPL. 3,5X17" 07	1
2	58709076000	VALVE CPL. BREMBO DUKE 2003	1
3	61009011000	BEARING SPACER TUBE FRONT 05	1
4	0625069068	GR.BALL BEAR.6906 DDU2CG23S6NM	2
5	0472048175	LOCK RING DIN0472-48X1,75	1
6	0760354771	SHAFT SEAL RING 35X47X7 TC	2
7	54809012000	SPACER BUSHING F. FR. WHEEL 03	2
20	75009081000	WHEEL SPINDLE FRONT D=26MM 07	1
21	54809082000	SPINDLE SCREW M24X1,5 WS=27 03	1
22	75009001010	COVER BRAKEDISCSEAT 07	1
23	75609060000	BRAKE DISC D=320MM 07	1
24	61009062018	SPECIAL SCREW M8X18 05	6

077560910 / C077560910

* NEW PART

X AS REQUIRED

REAR WHEEL

690 SUPERMOTO PRESTIGE EU 2007

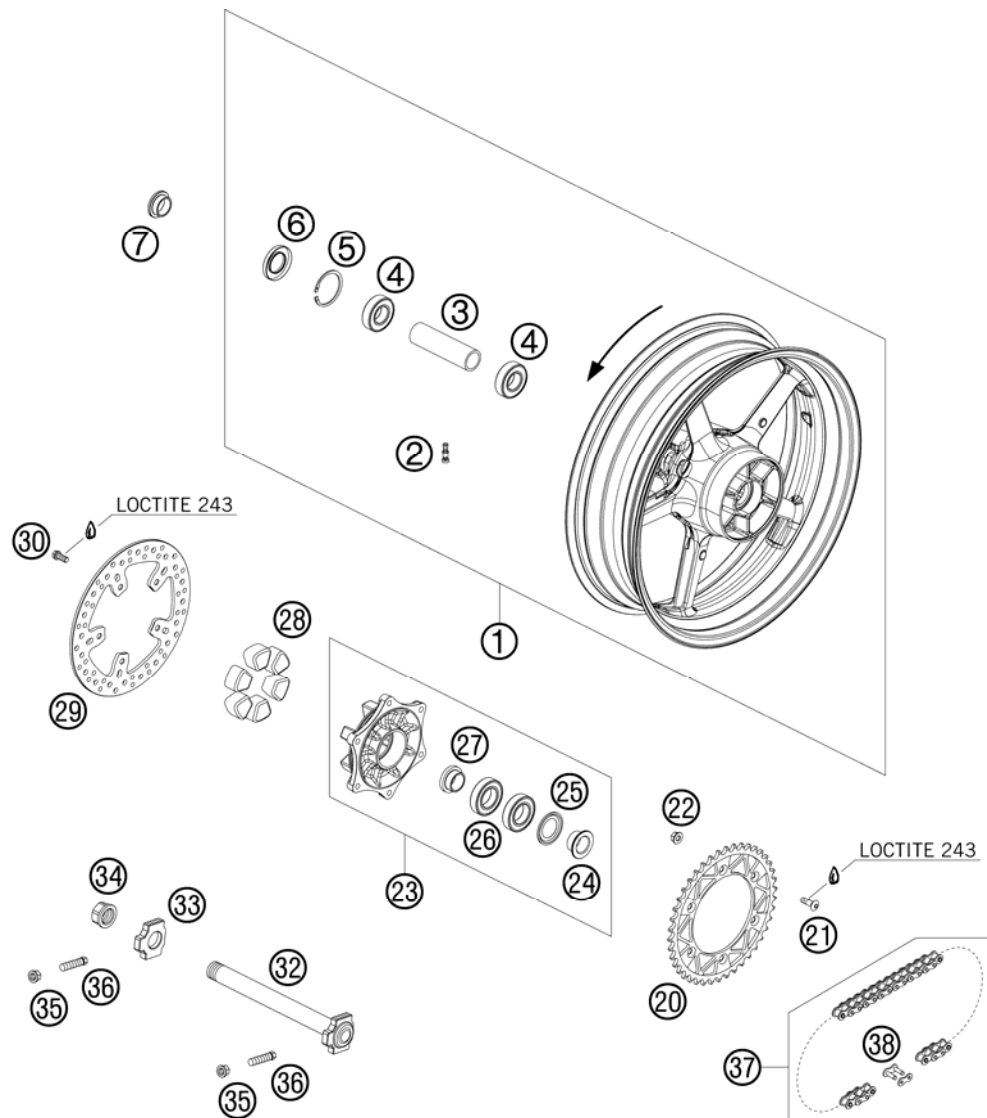


FIG	PART NUMBER	DESCRIPTION	QTY
1	7561000104433	REAR WHEEL CPL. 5X17" 07	1
2	58709076000	VALVE CPL. BREMBO DUKE 2003	1
3	75610011000	BEARING SPACER TUBE REAR 07	1
4	0625062052	GR.BALL BEAR. 6205-2RSHC3HMTF7	2
5	0472052200	CIRCLIP DIN0472-52X2	1
6	0760305271	SHAFT SEAL RING 30X52X7	1
7	60010013000	SPACER BUSH. REAR WHEEL R/S 03	1
20	75010051040	SPROCKET STEALTH 40T 07	x
20	75010051042	PSROCKET STEALTH 42T 07	x
21	0019080266S	COUNTER-SUNK SCREW ISA45 M8X26	6
22	54310086200	SELF LOCKING NUT M8 10.9	6
23	75010050044	SPROCKET SUPPORT CPL. 07	1
24	60110012000	SPACER BUSH. SPROCKET SUPP. 06	1
25	60110016000	NILOS RING 6006AV	1
26	0625060060	BALL BEARING 6006 DDU2CG23S6NM	2
27	60110014000	SPACER BUSH. SPR. SUPP. IN. 06	1
28	54610459000	DAMPING RUBBER '91	6
29	61010060000	BRAKE DISK REAR D=240MM 05	1
30	61009062018	SPECIAL SCREW M8X18 05	6
32	75010085044	WHEEL SPINDLE REAR L=279MM 07	1
33	60010084000	CHAIN TENSIONER R/S LC8 03	1
34	60010086000	COLLAR NUT WH. SPINDLE REAR 03	1
35	58414030000	HH COLLAR NUT M10X1,25 WS=13	2
36	50304040100	SCREW M10X1,25X50 WS=10	2
37	50310800118	CHAIN Z-RING 5/8X1/4"	1
38	50310866000	MASTER LINK FOR 50310800118	1

077561010 / C077561010

* NEW PART

X AS REQUIRED

WIRING HARNESS

690 SUPERMOTO PRESTIGE EU 2007

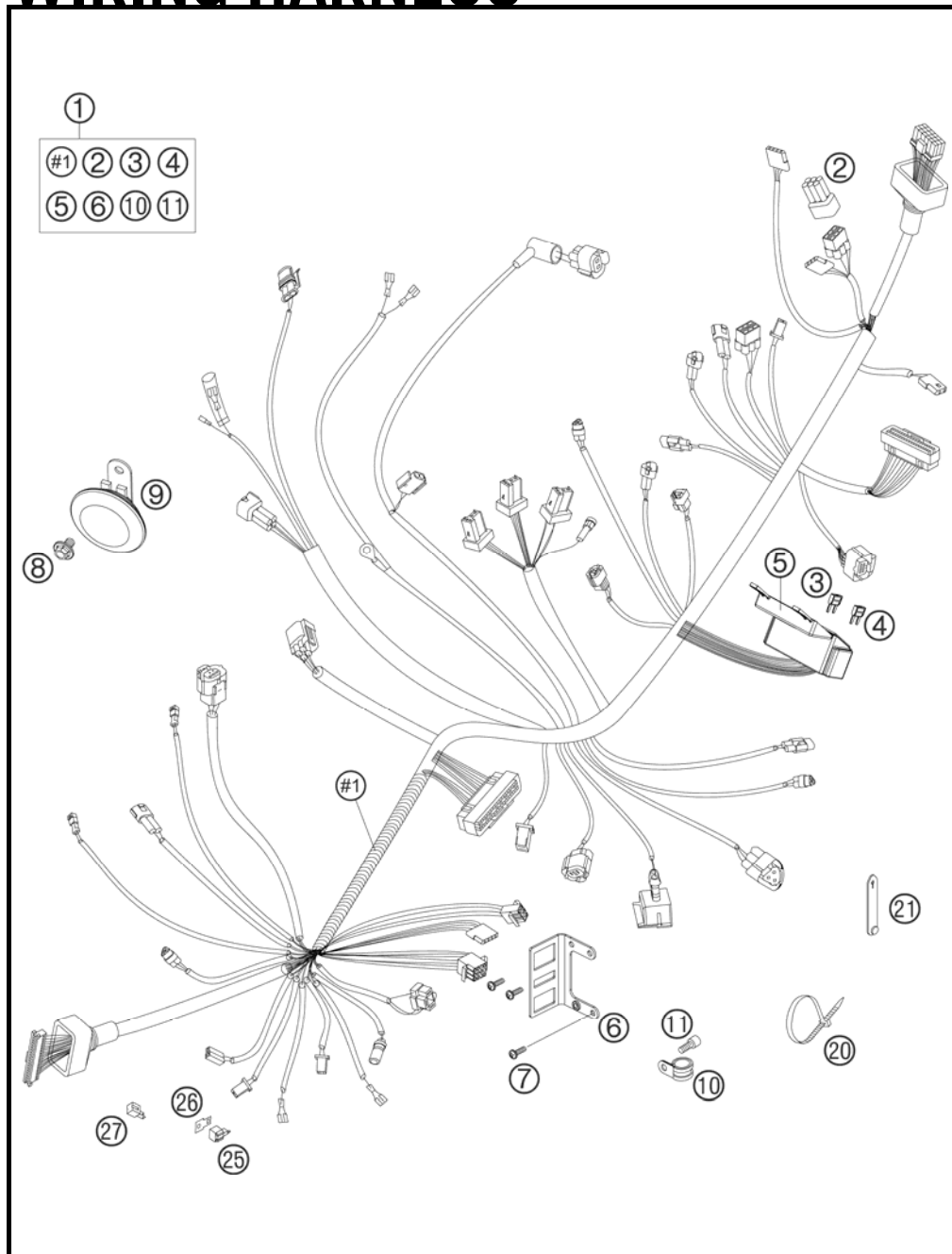


FIG	PART NUMBER	DESCRIPTION	QTY
1	75011075000	WIRING HARNESS 07	1
2	000700000BH	SPARE CONNECTOR BH	1
3	75011088010	FUSE 10A 07	x
4	75011088015	FUSE 15A 07	x
5	75011087050	RUBBER CASING FOR FUSE BOX	1
6	75011083000	BRACKET FOR PLUGS 07	1
7	0016050121	SCREW FOR PLASTIC 50X12	3
8	0014060103	HH COLLAR SCREW M 6X10 WS=8	1
9	62511060000	DC HORN 05	1
10	49007439000	CLAMP RSGU 15/12	1
11	0912050103	AH SCREW DIN0912-M 5X10	1
20	44011076100	CABLE TIE 100/2,5MM BLACK	x
20	44011076200	CABLE TIE 200/3,6MM BLACK	x
20	44011076305	CABLE TIE 300/4,8MM BLACK	x
21	60011093075	RUBBER CABLE TIE 75MM 03	x
25	44611207200	FLASHER UNIT 97	1
26	58211031100	BRACKET FOR FLASHER RELAISE	1
27	58411096100	DIODE S3H-15 97	1

077501110 / C077501110

* NEW PART

X AS REQUIRED

BATTERY

690 SUPERMOTO PRESTIGE EU 2007

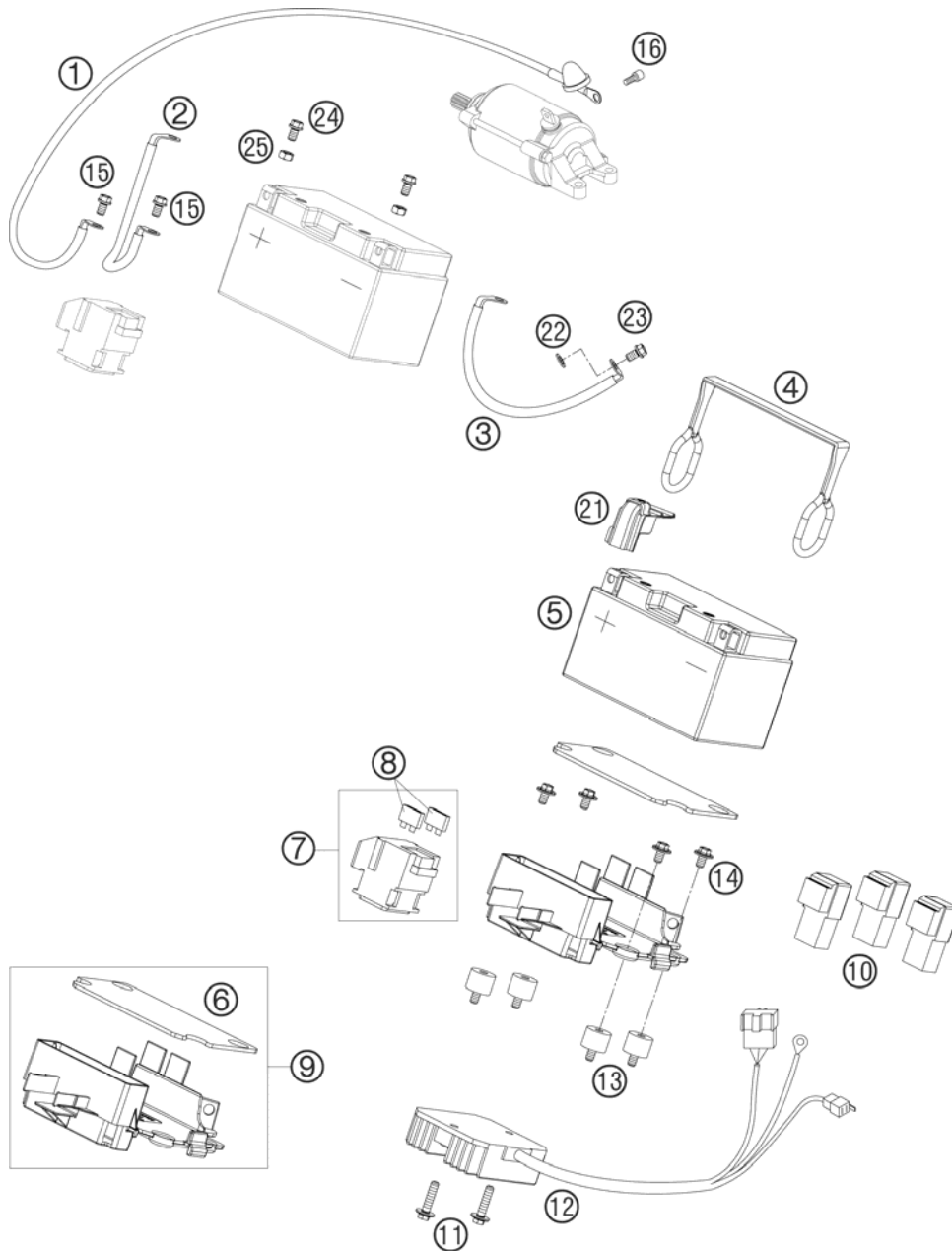


FIG	PART NUMBER	DESCRIPTION	QTY
1	75011059000	STARTER CABLE 07	1
2	75011059050	BATTERY CABLE 07	1
3	75011097000	GROUND CABLE 07	1
4	75011056000	BRACKET RUBBER FOR BATTERY 07	1
5	58411053100	BATTERY 12V 8,6AH 03	1
6	75011054015	METAMOL FOR BATTERY BRACKET	1
7	60011058000	STARTER RELAY 03	1
8	58011109130	FUSE 30 A	2
9	75011054033	BATTERY BRACKET CPL. 07	1
10	61111057000	RELAY CM1A-R-12V-H80 07	3
11	0024060273	COLLAR SCREW M6X27 ISA	2
12	60011034000	VOLTAGE REGULATOR LC8 03	1
13	43205062100	RUBBER GROMMET 20X15-M6X10 (1)	4
14	0014060103	HH COLLAR SCREW M 6X10 WS=8	4
15	0902060083	AH OVAL SCREW ISO 7380 M 6X8	2
16	0912050083	AH SCREW DIN 912 M 5X8	1
21	75011059060	POSITIVE POLE COVER 07	1
22	58411098100	CONTACT WASHER M6 VSV-K6	1
23	0015060163	HH COLLAR SCREW M 6X16 WS=8	1
24	0015060103	HH COLLAR SCREW M 6X10 WS=8	2
25	0934060003	HEXAGON NUT DIN0934-M 6	2

077501130 / C077501130

* NEW PART

X AS REQUIRED

REAR BRAKE CONTROL

690 SUPERMOTO PRESTIGE EU 2007

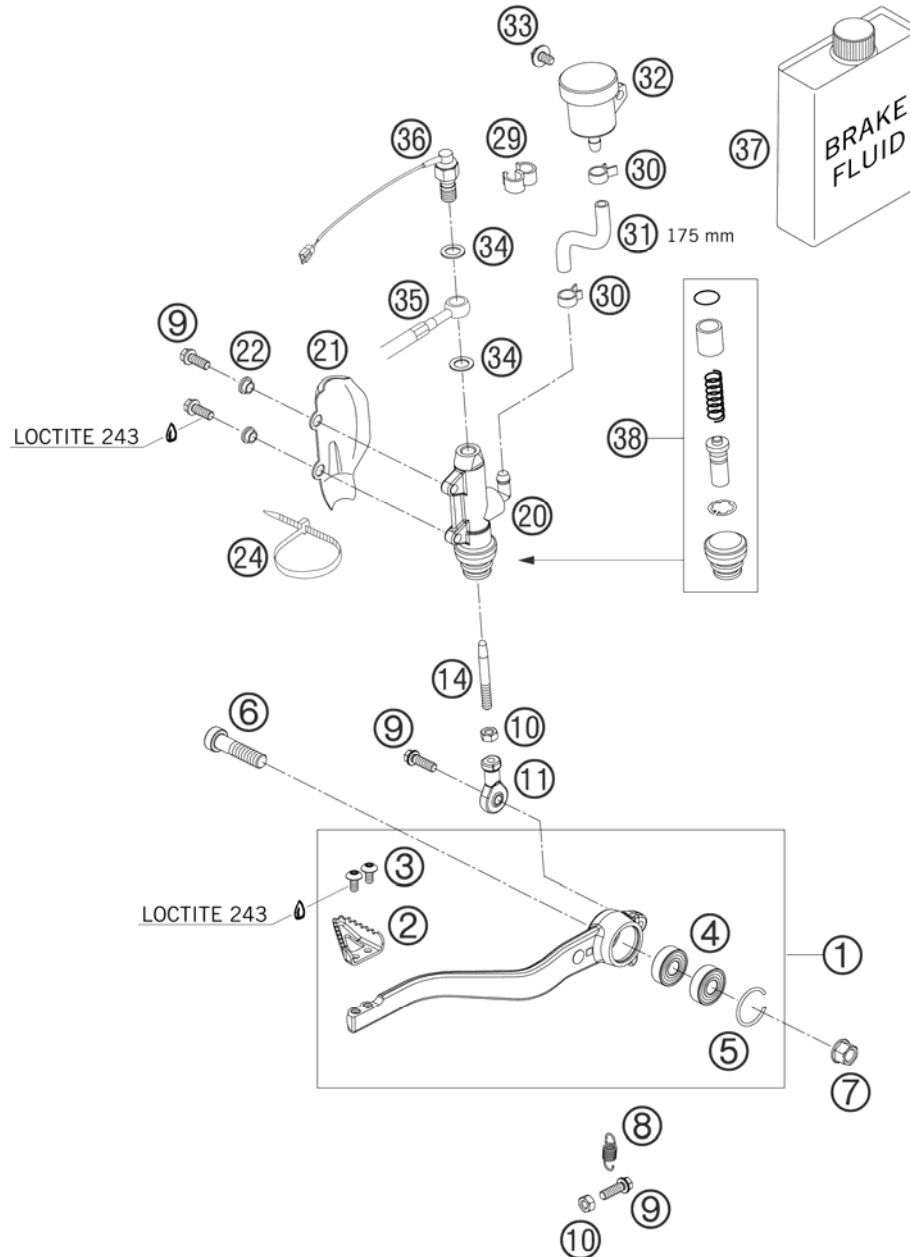


FIG	PART NUMBER	DESCRIPTION	QTY
1	7501305004401	FOOT BRAKE LEVER CPL. 07	1
2	60013051000	STEP PLATE FOOT BRAKE LEVER 03	1
3	58605083010	SCREW TORX M5X10 05	2
4	0625060002	BALL BEARING SKF 6000-2RS1	2
5	0993026500	LOCK RING DIN7993-B26	1
6	0912100406	AH SCREW DIN6912 M10X40 10.9	1
7	54630044000	COLLAR NUT M10 WS=13	1
8	61013052000	SPRING FOOT BRAKE LEVER 05	1
9	59009062019	SPECIAL SCREW M6X19 WS=8 10.9	4
10	0934060003	HEXAGON NUT DIN0934-M 6	2
11	54603069000	SWIVEL HEAD M6 FOOT BRAKE LEV.	1
14	54603068000	PRESSURE ROD ALU 250 '90	1
20	54513101044	MAIN BRAKE CYLINDER '89	1
21	54513038000	BRAKE CYL. PROTECTOR "BREMBO"	1
22	50213161000	COLLAR BUSHING	2
24	44011076200	CABLE TIE 200/3,6MM BLACK	1
29	55011022100	CLAMP D=6/8MM, BLACK	1
30	58007017000	YDNAC CLAMP 10101 (9MM)	2
31	58007016101	HOSE FOR RESERVOIR 6X1,5	x
32	54513030044	BRAKE FLUID RESERVOIR '89	1
33	0014060103	HH COLLAR SCREW M 6X10 WS=8	1
34	42013226000	CU-SEAL RING DIN7603-10X16X1	2
35	75013072000	BRAKE HOSE REAR 2007	1
36	50311051100	BRAKE LIGHT SWITCH REAR '98	1
37	00062030000	BRAKE FLUID DOT 5.1	1
38	54513150000	REPAIR KIT PISTON 13MM	1

077501330 / C077501330

* NEW PART

X AS REQUIRED

BRAKE CALIPER REAR

690 SUPERMOTO PRESTIGE EU 2007

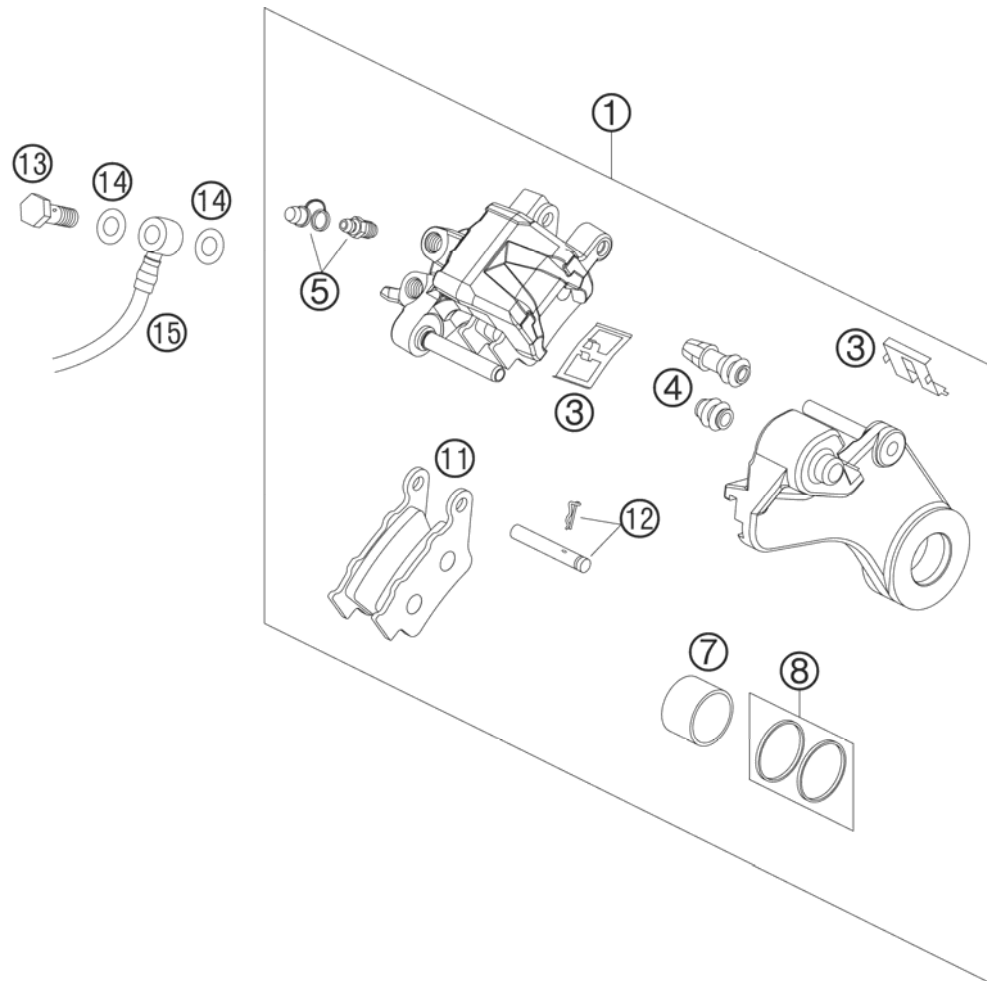


FIG	PART NUMBER	DESCRIPTION	QTY
1	7501308000	BRAKE CALIPER REAR 07	1
3	54613311200	RETAINING SPRING SET	1
4	54613218000	CUP SET SHORT	1
5	61013020200	BLEEDER SCREW WITH CAP	1
7	50313083000	BRAKE PISTON 32MM	1
8	50313081000	REPAIR KIT SEALING RINGS 32MM	1
11	54613309500	BRAKE PAD SET REAR TT2161FF	1
12	61013082000	BOLT SET 05	1
13	54813020100	HOLLOW SCREW BLACK M10X1X19	1
14	42013226000	CU-SEAL RING DIN7603-10X16X1	2
15	75013072000	BRAKE HOSE REAR 2007	1

05610133 / C077501390

* NEW PART

X AS REQUIRED

HAND BRAKE CYLINDER

690 SUPERMOTO PRESTIGE EU 2007

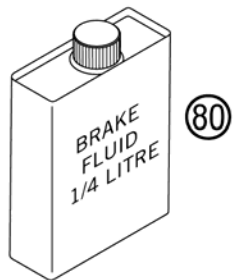
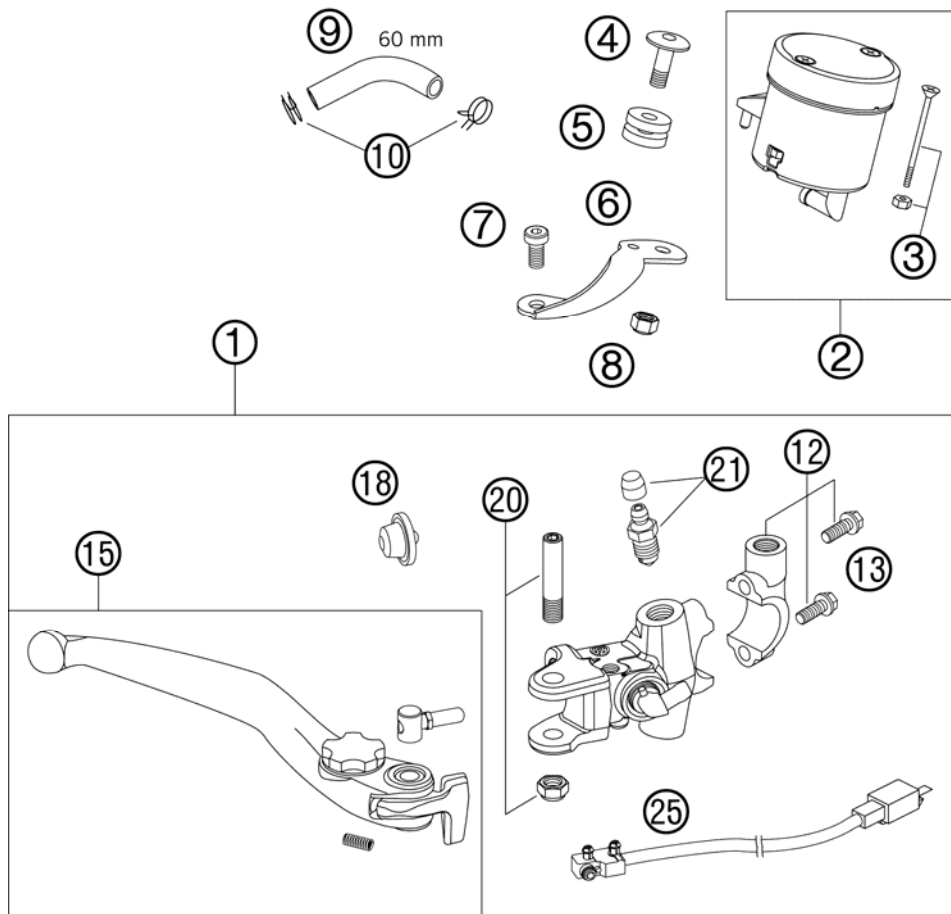


FIG	PART NUMBER	DESCRIPTION	QTY
1	75613001000	HAND BRAKE CYLINDER 07	1
2	61013009002	BRAKE FLUID RESERVOIR CPL.	1
3	61013009003	SCREW + NUT FOR RESERVOIR	2
4	61013013050	SCREW RET.PANEL-RESERVOIR	1
5	61013013000	RUBBER BUSH 05	1
6	61013009001	RET.PANEL FLUID RES. FRONT 05	1
7	61013021000	SCREW RET.PANEL-BRAKE CYLINDER	1
8	61013009004	NUT FOR RESERVOIR	1
9	58007016101	HOSE FOR RESERVOIR 6X1,5	1
10	58007017000	YDNAC CLAMP 10101 (9MM)	2
12	61013005000	CLAMP CPL. 05	1
13	0015060253	HH COLLAR SCREW M 6X25 WS=8	2
15	62513002044	HAND BRAKE LEVER CPL. 05	1
18	61013008000	RUBBER CUP 05	1
20	61013006000	LEVER SCREW CPL. 05	1
21	60013020000	BLEEDER SCREW WITH CAP	1
25	61011050000	BRAKE LIGHT SWITCH FRONT 05	1
80	00062030000	BRAKE FLUID DOT 5.1	1

077561310 / C077561310

* NEW PART

X AS REQUIRED

BRAKE CALIPER FRONT

690 SUPERMOTO PRESTIGE EU 2007

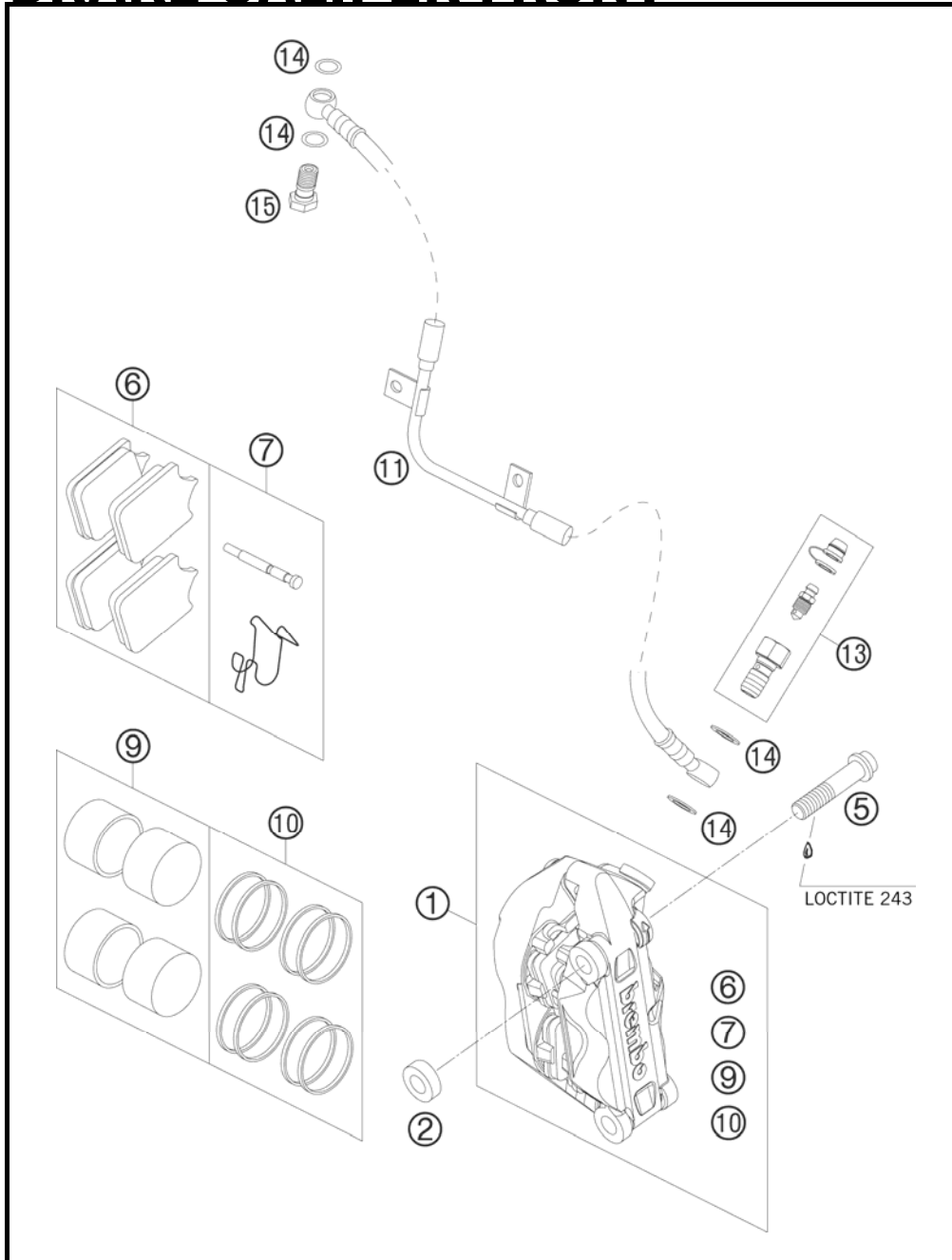


FIG	PART NUMBER	DESCRIPTION	QTY
1	62513115000	BRAKE CALIPER RADIAL L/S 07	1
2	6111302200001	SPACER BUSH 10,1X20X7,5 07	2
5	0035100659	AH-COLLAR SCREW M10X1,25X65	2
6	61013030100	BRAKE PAD FR. HAWK 7342-49	1
7	61013018000	BOLT AND SPRING F. BR.CALIPER	2
9	61013019000	BRAKE PISTONS 4X	1
10	61013019100	REP.KIT SEALING RINGS 4X	1
11	75613012000	BRAKE PIPE FRONT CPL. 07	1
13	62513020000	BLEEDER SCREW CPL. 05	1
14	42013226000	CU-SEAL RING DIN7603-10X16X1	4
15	54813020100	HOLLOW SCREW BLACK M10X1X19	1

077561360 / C077561360

* NEW PART

X AS REQUIRED

LIGHTING SYSTEM

690 SUPERMOTO PRESTIGE EU 2007

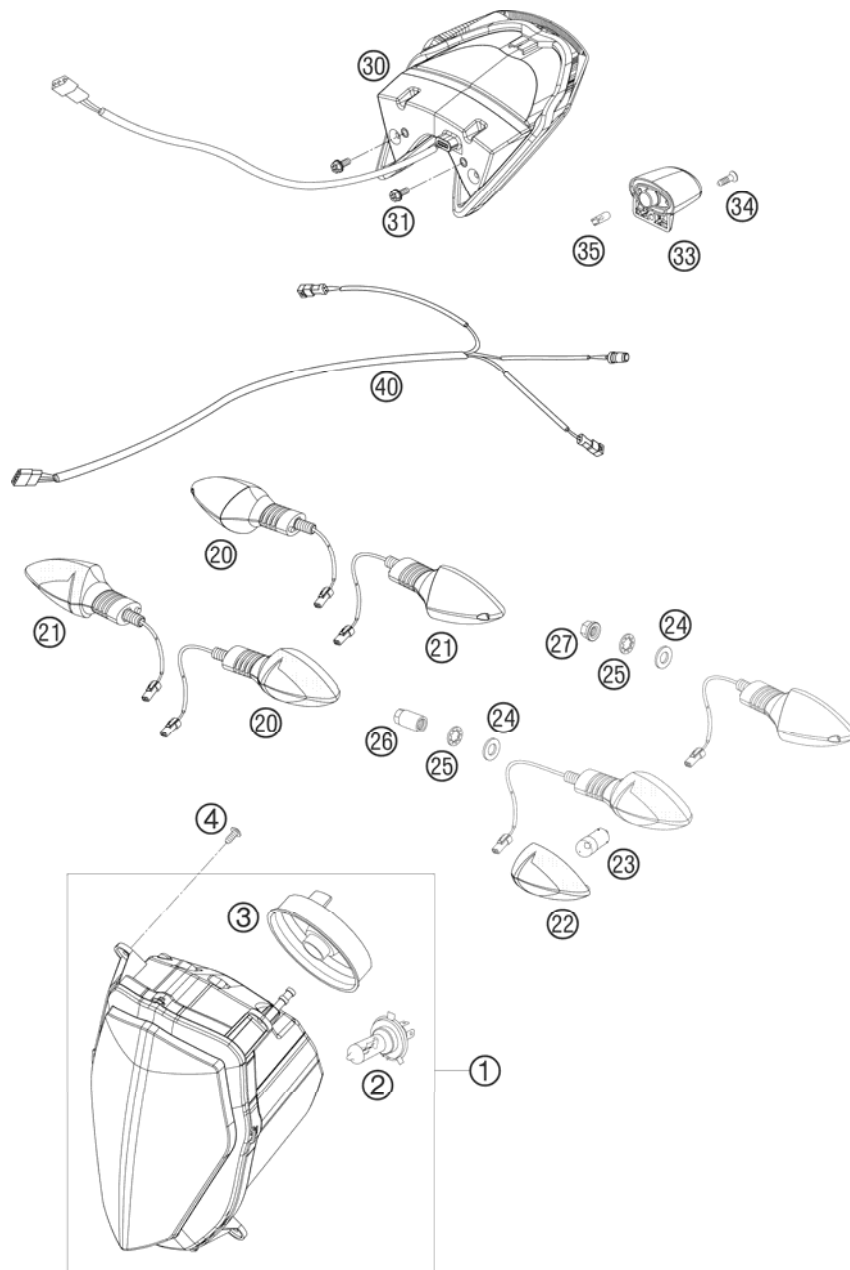


FIG	PART NUMBER	DESCRIPTION	QTY
1	75014001000	HEAD LIGHT LC4 07	1
2	57111038000	BULB H4 12V 60/55W (P43T)	1
3	75014001050	RUBBER CAP FOR HEAD LIGHT 07	1
4	0016050121	SCREW FOR PLASTIC 50X12	4
20	60114025000	FLASHER CPL.FRONT L/S REAR R/S	2
21	60114026000	FLASHER CPL.FRONT R/S REAR L/S	2
22	60114028000	FLASHER LENS L/S R/S TRANSP.06	4
23	60114027000	BULB 12V ORANGE (RY10W)	4
24	0433100003	WASHER 18x10,5x1,6	4
25	0797100003	LOCK WASHER DIN6797-J10,5 ZI	4
26	75014030000	FLASHER NUT M10X1,25 WS12	2
27	58414030000	HH COLLAR NUT M10X1,25 WS=13	2
30	75014040000	REAR LIGHT LED 07	1
31	0015050123	HH COLLAR SCREW M 5X12 WS=8	2
33	75014047000	LICENSE PLATE ILLUMINATION 07	1
34	0017050181	SCREW FOR PLASTIC D=5X18	1
35	49011435100	BULB 12V 5W (W2,1X9,5D) PHIL.	1
40	75011076000	WIRING HARNESS REAR 07	1

077501410 / C077501410

* NEW PART

X AS REQUIRED

INSTRUMENTS, LOCK SYSTEM

690 SUPERMOTO PRESTIGE EU 2007

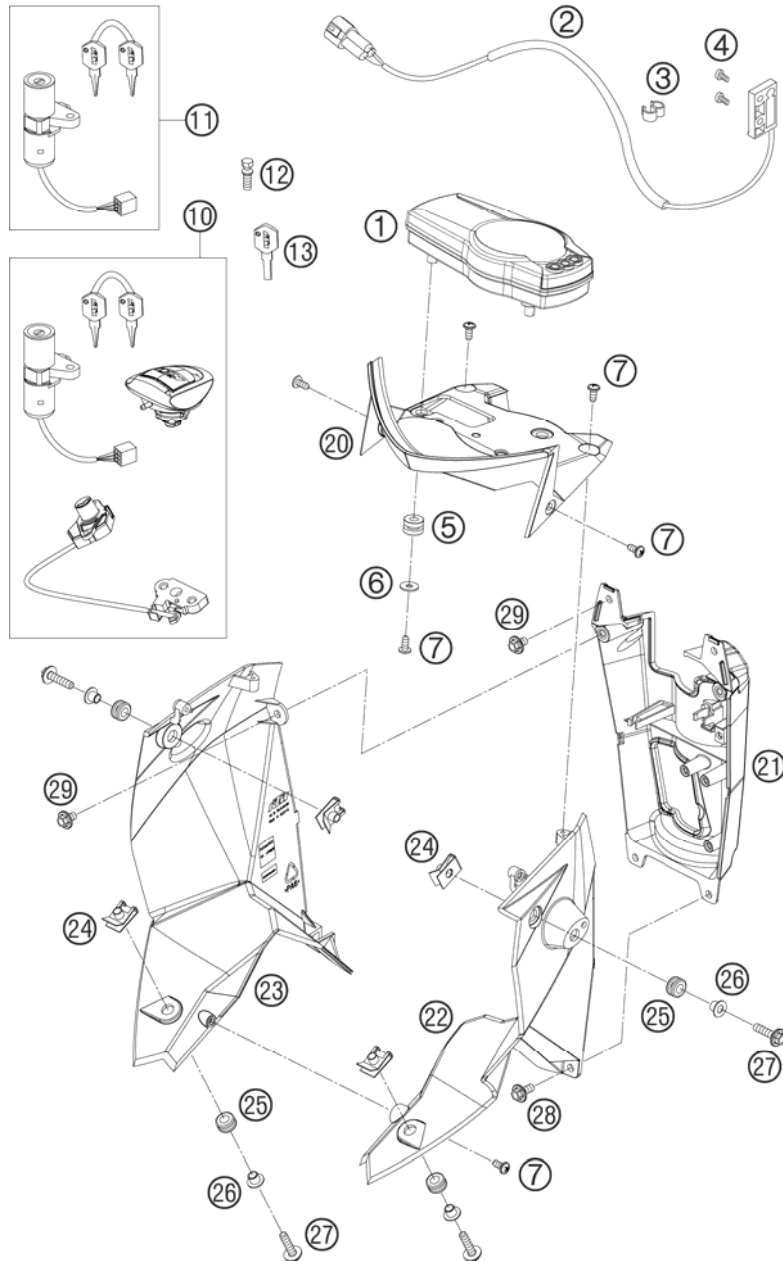


FIG	PART NUMBER	DESCRIPTION	QTY
1	75014069000	SPEEDOMETER 07 REPROGRAMMABLE KM/H - MPH	1
2	62514068100	SPEEDOMETER SENSOR 06	1
3	60111094000	CLAMP 5/7 MM 06	2
4	0084040083	CYL.HEAD SCREW DIN0084-M 4X8 A	2
5	58214069051	RUBBER GROMMET 16X10,8X3 02	2
6	0021050003	WASHER DIN9021-A 5,3	2
7	0016050121	SCREW FOR PLASTIC 50X12	8
10	75011066044	LOCK SYSTEM 07	1
11	58411066100	IGNITION LOCK 99	1
12	60011064000	TAMPERPROOF SCREW F. IGN. LOCK	1
13	40011166100	KEY BLANK LC4/DUKE/LC8	1
20	75014060000	SPEEDOMETER BRACKET 07	1
21	75014064000	COVER 07	1
22	75014062000	MASK BRACKET L/S 07	1
23	75014063000	MASK BRACKET R/S 07	1
24	54603048100	RANGE CHANGE METAL NUT M6	4
25	31008060000	RUBBER SLEEVE D=8MM OPEN	4
26	75014010050	COLLAR BUSHING 6,1X8,1X14X8 07	4
27	0014060203	HH COLLAR SCREW M 6X20 WS=8	4
28	0014060153	HH COLLAR SCREW M 6X15 WS=8	2
29	0014060103	HH COLLAR SCREW M 6X10 WS=8	4

077501430 / C077501430

* NEW PART

X AS REQUIRED

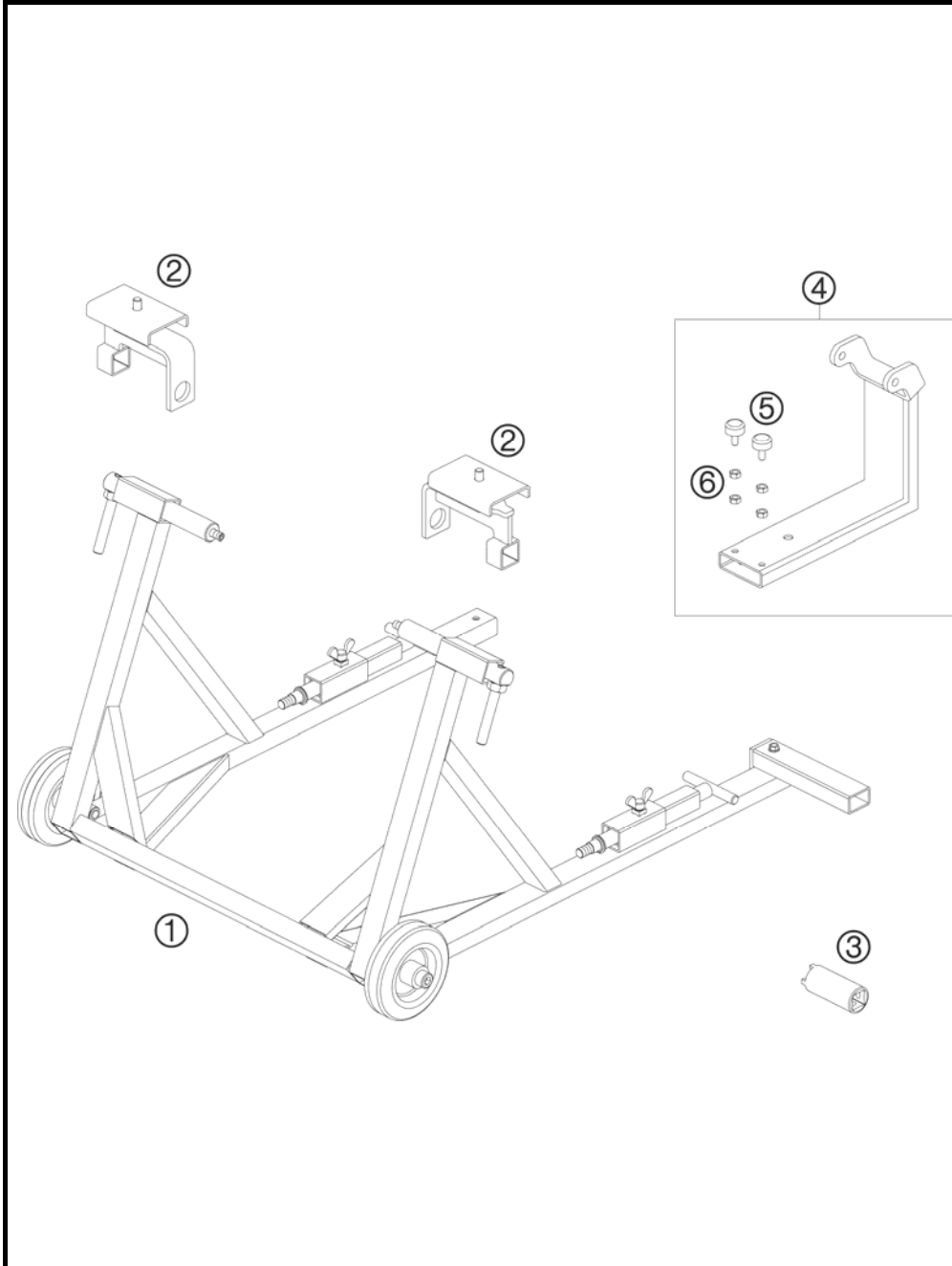


FIG	PART NUMBER	DESCRIPTION	QTY
1	62529055000	VEHICLE STAND 05	1
2	75029036000	BRACKET FOR ASSEMBLING RACK	2
3	75029034000	SP. BROCKET SW.ARM BEARING ADJ	1
4	75029055000	ATTACHMENT SHUNTING JACK CPL.	1
5	58303070000	STOP RUBBER M8	2
6	0934080003	HEXAGON NUT DIN0934-M 8	4

077501910 / C077501910

* NEW PART

X AS REQUIRED

ACCESSORIES KIT

690 SUPERMOTO PRESTIGE EU 2007

0
OHNE ABBILDUNG
WITHOUT ILLUSTRATION

1
TECHNISCHE DOKUMENTATION
TECHNICAL DOCUMENTATION
DOCUMENTACION TECNICA
DOCUMENTATION TECHNIQUE
NOTE TECNICHE

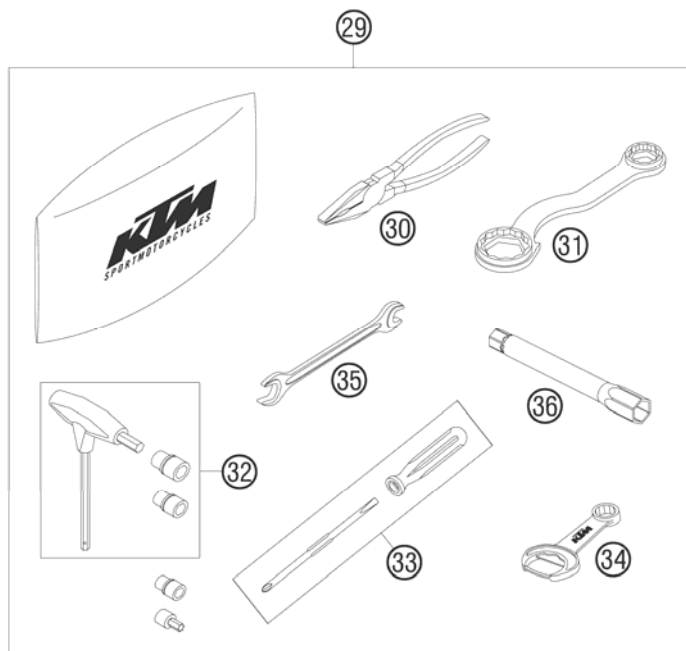


FIG	PART NUMBER	DESCRIPTION	QTY
0	0014060153	HH COLLAR SCREW M 6X15 WS=8	4
0	0021060003	WASHER DIN9021-A 6,4	4
0	0125050003	WASHER DIN0125-A 5,3	2
0	0966050163	OVAL HEAD SCREW DIN0966-M 5X16	2
0	0985050003	SELF LOCKING NUT DIN0985-M 5	2
0	0985060003	SELF LOCK. NUT DIN0985-M 6	4
0	312305	DOCUMENTS BAG 2006	1
0	312313	KTM BALLPOINT ORANGE	1
0	3210039	CUSTOMER WELCOME LETTER	1
0	40006006000	WASHER 6MM	2
0	58412040050	SUPPORT FOR MIRROR LC4 '98	2
0	58412080000	REFLECTOR RED LC4 '98	1
0	58412080050	BRACKET FOR REFLECTOR	1
0	60003040033	FOOTREST L/S+R/S CPL. 03	1
0	60012081200	LICENCE FITTING 06	1
0	61112040000	REVIEW MIRROR L/S 07	1
0	61112041000	REVIEW MIRROR R/S 07	1
1	3211147	OWNERS MANUAL 690 LC4 SM 07	1
29	75029099000	TOOL SET 07	1
30	53012028100	COMBINATION PLIERS UNIOR BLUE	1
31	50329080000	WRENCH WS=17/21/27/32	1
32	50329070000	T-WRENCH WS=6/8/10 '97	1
33	53012024100	SCREW DRIVER L=105MM	1
34	50329071000	WRENCH WS=13/17	1
35	51012023100	WRENCH WS=10/13	1
36	75029072000	SPARK PLUG WRENCH	1

077502001 / C077562001

* NEW PART

X AS REQUIRED





KTM-Sportmotorcycle AG
A-5230 Mattighofen
www.ktm.at

KTM Group Partner



3CF9726G5EN



Art.Nr.: 3CF9726G5EN 2/2007