

690 Supermoto 2008

## Components:

A1	Plug-in connector for alarm system (optional) <b>E1-4</b>
G1	Battery <b>A7</b>
G2	Generator <b>B-C8</b>
K1	Starter relay with main fuse <b>A6</b>
K2	Start auxiliary relay <b>E7</b>
K3	Light relay <b>E5</b>
K4	Power relay <b>E6</b>
M1	Starter motor <b>A-B6</b>
N1	Voltage regulator / rectifier <b>B8</b>
S1	Emergency OFF switch <b>A3</b>
S2	Ignition/steering lock <b>A2</b>
S20	Seat monitoring switch (optional) <b>E3-4</b>

## Cable colors:

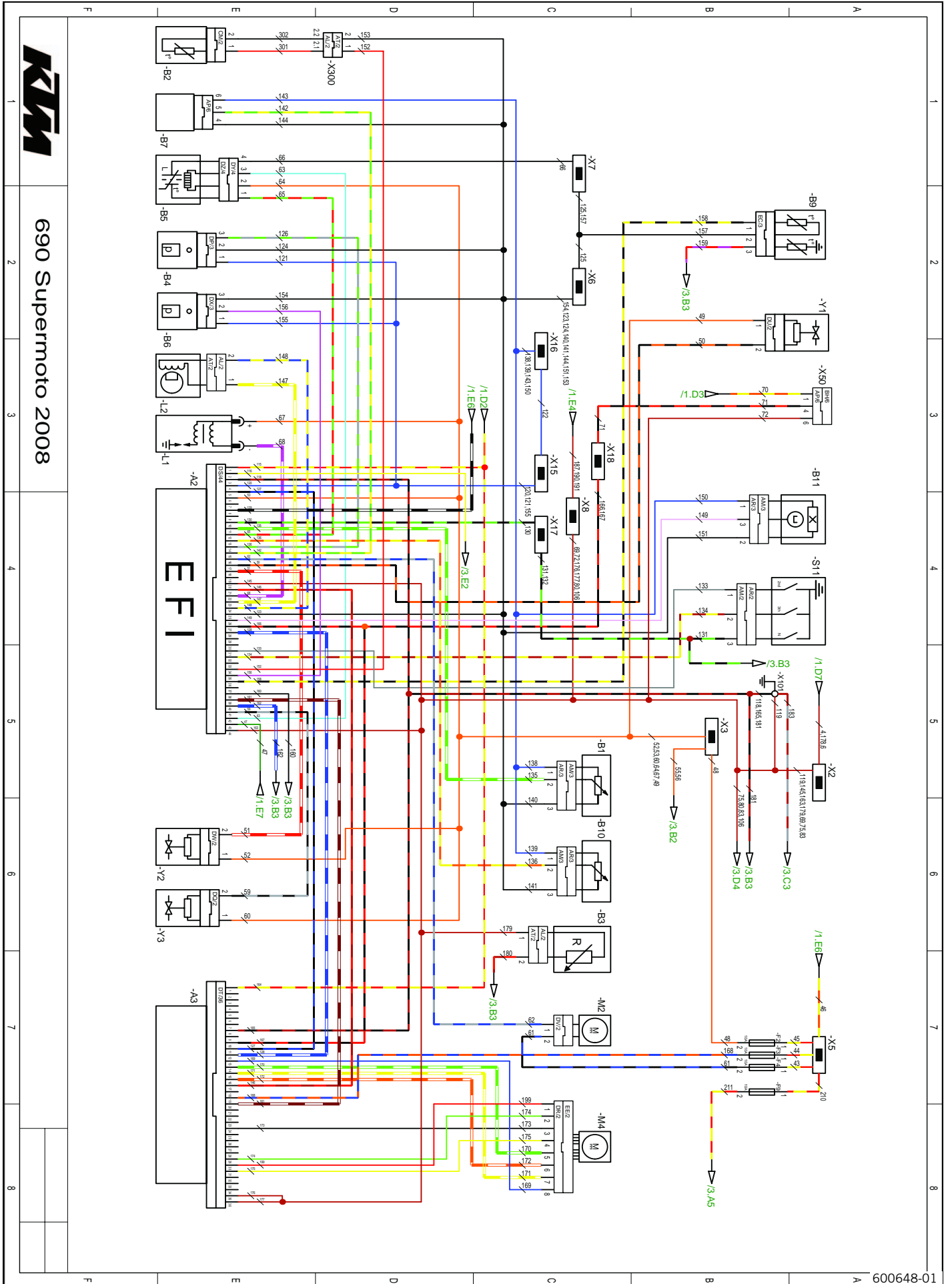
gn	green
re-wh	red-white
1	white-red
2	white-red
4	brown-brown
5	blue-red
6	brown
7	black-red
8	black-red
9	black-red
10	yellow-orange
11	yellow-orange
12	red
13	red
31	white-red
32	white-red
34	white-red
35	white-red
36	white-red
37	white-red
38	white-red
39	green
46	yellow-red
47	green
54	white-red
70	yellow-orange
85	yellow-blue
95	black
100	violet
115	yellow-red
129	white-black
164	yellow-red
178	brown
184	blue-red
185	black
186	black
187	brown
188	black

---

189	violet
190	brown
191	brown

---





690 Supermoto 2008

**Components:**

A2	EFI control unit <b>E4-5</b>
A3	EPT control unit <b>E7-8</b>
B1	Throttle twist grip sensor <b>C5-6</b>
B2	Intake air temperature sensor <b>E1</b>
B3	Fuel level indicator <b>C6-7</b>
B4	Ambient air pressure sensor <b>E2</b>
B5	Lambda probe <b>E1-2</b>
B6	Manifold absolute pressure sensor <b>E2</b>
B7	Roll over sensor <b>E1</b>
B9	Coolant liquid temperature sensor <b>A-B2</b>
B10	Throttle position sensor <b>C6</b>
B11	Sidestand switch <b>A-B4</b>
L1	Ignition coil <b>E3</b>
L2	Ignition pulse generator <b>E3</b>
M2	Fuel pump <b>C7</b>
M4	Throttle stepper motor <b>C8</b>
S11	Gear position sensor <b>A-B4</b>
X50	Diagnostics connector <b>A3</b>
Y1	Fuel evaporation valve (USA version only) <b>A2-3</b>
Y2	Secondary air valve <b>E6</b>
Y3	Injection valve <b>E6</b>

**Cable colors:**

4	brown
6	brown
43	yellow-red
44	yellow-red
45	yellow-red
46	yellow-red
47	green
48	orange
49	orange
50	black-red
51	white-red
52	orange
53	orange
54	orange
55	orange
56	orange
59	black-gray
60	orange
61	black-blue
62	blue-gray
63	light blue
64	orange
65	green-red
66	black
67	orange
68	white-violet
69	brown
70	yellow-orange
71	black-red

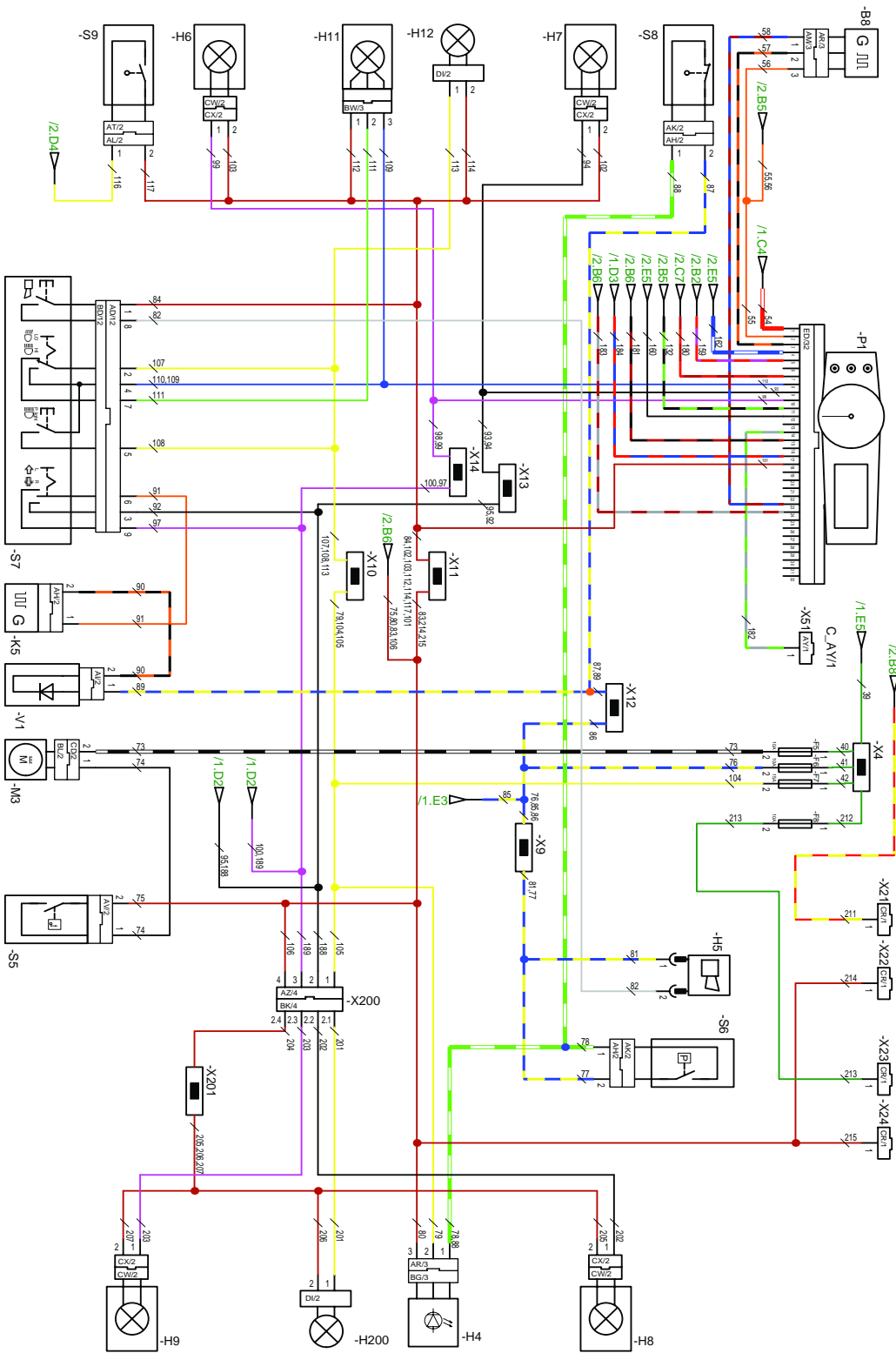
72	brown
75	brown
80	brown
83	brown
106	brown
115	yellow-red
116	yellow
118	black-brown
119	brown
120	blue
121	blue
122	blue
123	black
124	black
125	black
126	green-gray
127	black-blue
128	white-blue
129	white-black
130	black-green
131	black
132	black-green
133	gray
134	yellow-brown
135	white-green
138	blue
139	blue
140	black
141	black
142	yellow-green
143	blue
144	black
145	brown
146	brown-red
147	white-yellow
148	yellow-blue
149	pink
150	blue
151	black
152	red
153	black
154	black
155	blue
156	violet
157	black
158	black-yellow
159	red-violet
160	white
161	white-brown
162	white-blue
163	brown
164	yellow-red

165	black-brown
166	black-red
167	black-red
168	black
169	blue
170	white-green
171	white-yellow
172	white-red
173	black
174	green
175	yellow
176	brown
177	brown
178	brown
179	brown
180	brown-red
181	black-brown
183	brown-gray
187	brown
190	brown
191	brown
199	red
210	yellow-red
211	yellow-red
301	red
302	black





690 Supermoto 2008



**Components:**

B8	Wheel speed sensor <b>A1-2</b>
H4	Brake / tail light <b>C-D8</b>
H5	Horn <b>B6</b>
H6	Flasher, front left <b>E-D/1-2</b>
H7	Flasher, front right <b>C1-2</b>
H8	Flasher, rear right <b>B-C8</b>
H9	Flasher, rear left <b>E8</b>
H11	Low beam/high beam <b>D1-2</b>
H12	Parking light <b>C1-2</b>
H200	License plate lamp <b>D8</b>
K5	Flasher relay <b>E4</b>
M3	Radiator fan <b>E5</b>
P1	Combination instrument <b>A-B/3-4</b>
S5	Thermoswitch <b>E6</b>
S6	Brake light switch, rear <b>B6-7</b>
S7	Horn button, light switch, headlight flasher switch, indicator switch <b>E3-4</b>
S8	Brake light switch, front <b>B1-2</b>
S9	Clutch switch <b>E1-2</b>
V1	Diode <b>E5</b>
X21	Plug-in connector for accessories (clamp 30) <b>A6</b>
X22	Plug-in connector for accessories (clamp 31) <b>A6</b>
X23	Plug-in connector for accessories (clamp 15) <b>A7</b>
X24	Plug-in connector for accessories (clamp 31) <b>A7</b>

**Cable colors:**

5	blue-red
39	green
40	green
41	green
42	green
54	white-red
55	orange
56	orange
57	black-orange
58	blue
73	white-black
74	black
75	brown
76	yellow-blue
77	yellow-blue
78	white-green
79	yellow
80	brown
81	yellow-blue
82	gray
83	brown
84	brown
85	yellow-blue
86	yellow-blue
87	yellow-blue
88	white-green
89	yellow-blue

90	black-orange
91	orange
92	black
93	black
94	black
95	black
97	violet
98	violet
99	violet
100	violet
101	brown
102	brown
103	brown
104	yellow
105	yellow
106	brown
107	yellow
108	yellow
109	brown
110	blue
111	green
112	brown
113	yellow
114	brown
115	yellow
116	yellow
117	brown
132	black-green
159	red-violet
160	white
162	white-blue
180	brown
181	black-brown
182	green-gray
183	brown-gray
184	blue-red
188	black
189	violet
201	yellow
202	black
203	violet
204	brown
205	brown
206	brown
207	brown
211	yellow-red
212	green
213	green
214	brown
215	brown