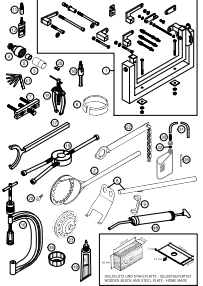
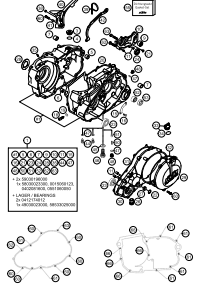
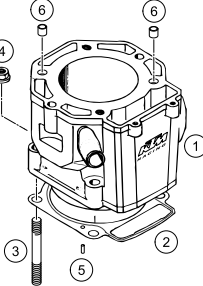
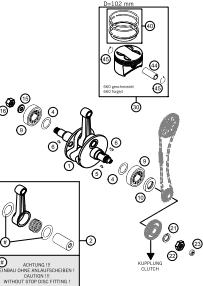
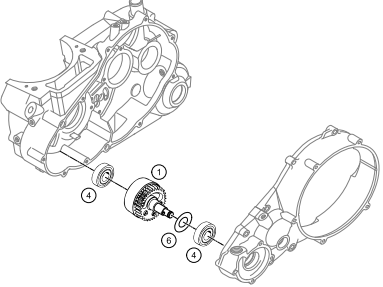
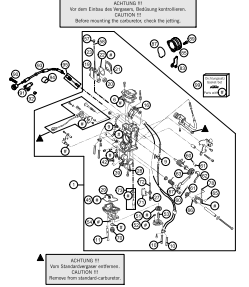
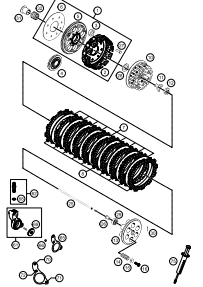
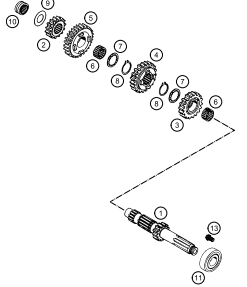
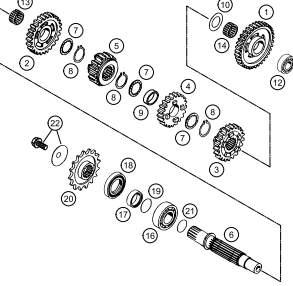
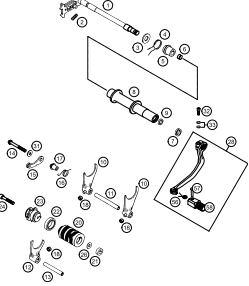
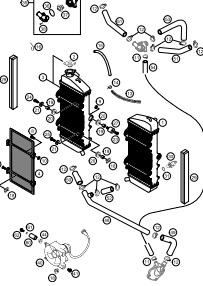
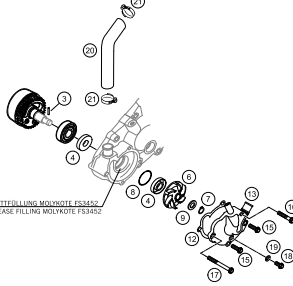
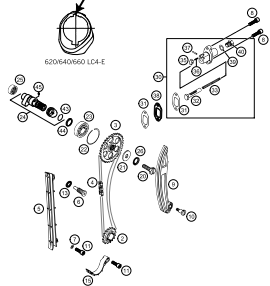
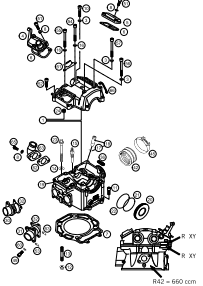
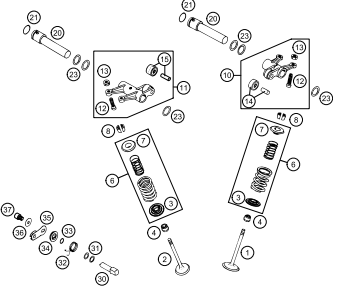
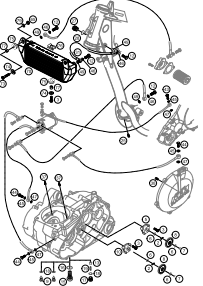
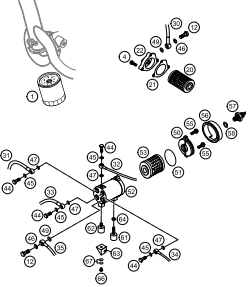
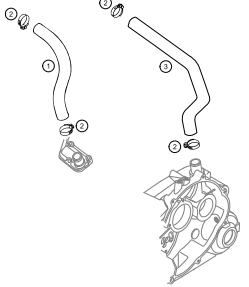
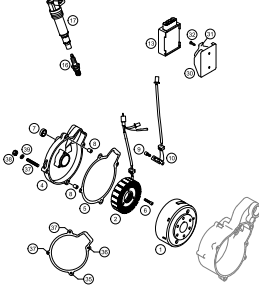
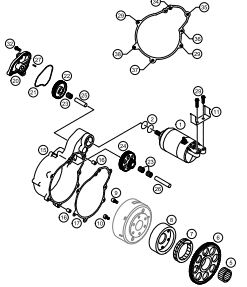


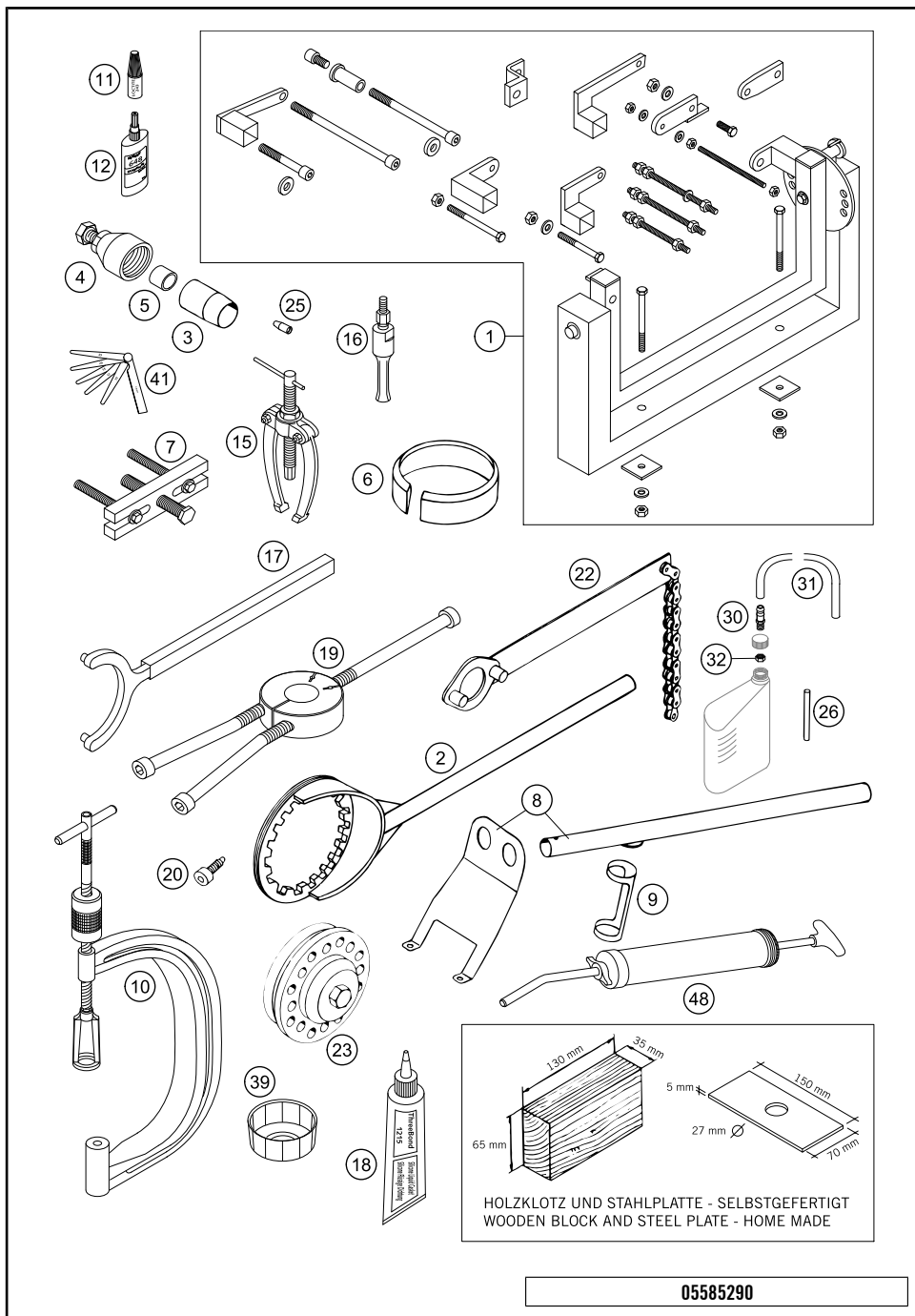
660 RALLY 2005

ART.-NR.: 3CM088240EN



<p>SPECIAL TOOLS 660 RALLY</p>  <p>3</p>	<p>ENGINE CASE 660 RALLY</p>  <p>4</p>	<p>CYLINDER 660 RALLY</p>  <p>6</p>	<p>CRANKSHAFT, PISTON 660 RALLY</p>  <p>7</p>
<p>BALANCER SHAFT 660 RALLYE</p>  <p>8</p>	<p>CARBURETOR KEIHIN FCR39</p>  <p>9</p>	<p>CLUTCH 660 RALLY</p>  <p>11</p>	<p>TRANSMISSION I 660 RALLYE</p>  <p>12</p>
<p>TRANSMISSION II 660 RALLY</p>  <p>13</p>	<p>SHIFTING MECHANISM 660 RALLY</p>  <p>14</p>	<p>COOLING SYSTEM 660 RALLY</p>  <p>15</p>	<p>WATER PUMP 660 RALLYE</p>  <p>17</p>

<p>TIMING DRIVE</p>  <p>18</p>	<p>CYLINDER HEAD 660 RALLY</p>  <p>19</p>	<p>VALVE DRIVE</p>  <p>21</p>	<p>LUBRICATING SYSTEM 660 RALLYE</p>  <p>22</p>
<p>OIL FILTER 660 RALLY</p>  <p>23</p>	<p>VENT 660 RALLYE</p>  <p>24</p>	<p>IGNITION SYSTEM 660 RALLY</p>  <p>25</p>	<p>ELECTRIC STARTER 660 RALLYE</p>  <p>26</p>
<div style="display: flex; align-items: center;"> <div style="background-color: #cccccc; width: 50px; height: 100px; display: flex; align-items: center; justify-content: center; margin-right: 20px;"> ! </div> <div> <p>All information contained is without obligation. KTM Sportmotorcycle GmbH particularly reserves the right to modify any equipment, technical specifications, prices, colors, shapes, materials, services, service work, constructions, equipment and the like so as to adapt them to local conditions or to cancel any of the above items, all without previous announcement and without giving reasons. KTM may stop manufacturing certain models without previous notice. KTM shall not be held liable for any deviations of availability and/or ability to deliver, illustrations, descriptions, printing and/or other errors. The illustrated models partly contain extra equipment, which is not applied to standard models.</p> <p>© by KTM Sportmotorcycle GmbH, Mattighofen AUSTRIA; All rights reserved; Reprint, also in extracts, with written allowance of KTM Sportmotorcycle GmbH, Mattighofen only.</p> </div> </div>			

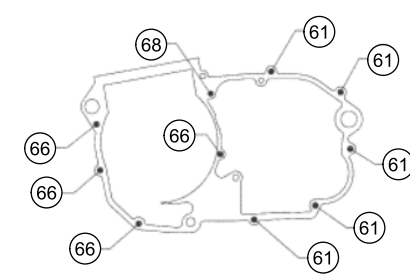
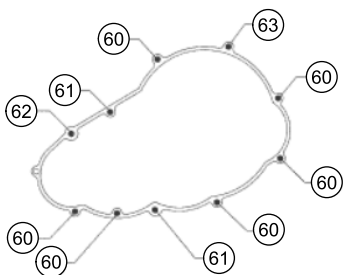
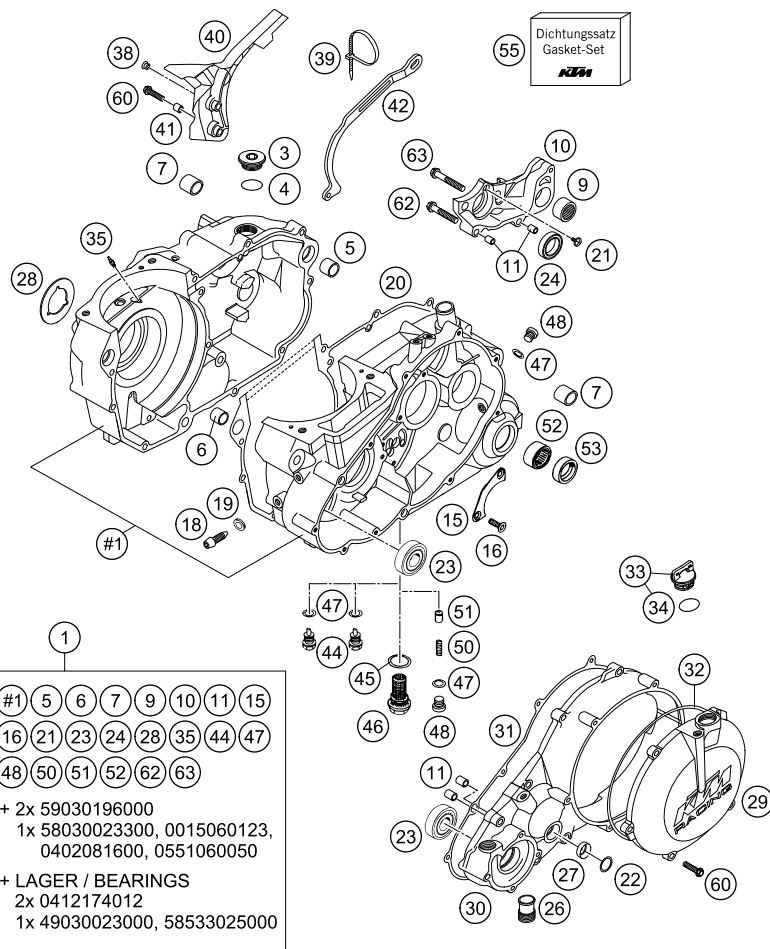


POS	PARTNUMBER	PARTNAME	PIECE
1*	56012001044	ASSY SUPPORT WITH ENGINEHOLDER	1
2	58329003000	CLUTCH HOLDER D=160MM LC4'94	1
3	58012005025	MOUNTING SLEEVE D=25MM FOR CRANKSHAFT SEAL L/S	1
4	58429009000	MAGNETO EXTRACTOR	1
5	58429031000	PROTECTOR CAP F.CRANKSHAFT M16	1
6	58529015102	PISTON RING COMPRESSOR D=102MM 660 LC4	1
7	59029021044	EXTRACTOR PRIM. GEAR CPL. FOR INNER CLUTCH HUB	1
8	58012019000	VALVE INSTALLATION KIT	1
9	6276470	PUSH INSERT	1
10	59029019000	VALVE SPRING LEVER	1
11	6899785	LOCTITE 243 BLUE 6CCM	x
12	58429059000	LOCTITE 648 GREEN 24ML	x
15	15112017000	BUSHING EXTRACTOR	1
16	15112018000	INTERN.BEAR.PULLER 12-16 MM	1
16	15112018100	INTERN.BEAR.PULLER 18-23 MM	1
17	58429012000	HOLDING WRENCH FOR WHEEL	1
18	309098	SILICON GASKET THREE-BOND	1
19	58429037043	MOUNTING TOOL F.BEARING NJ 207	1
19	58429037040	MOUNTING TOOL F.BEARING NJ 306	1
20	58030080000	LOCATING SCREW M8 L=23	1
22	51012012000	HOLDING SPANNER FOR SPROCKET	1
23	54629027000	RIVETTING TOOL FOR CLUTCH	1
25	58529005000	MOUNT.SLEEVE F. SH.S.RING WAPU	1
26	58029026007	LIMIT PLUG GAUGE F.VALVE GUIDE D=7,05 MM	1
30	59030022000	BLEEDER FLANGE M8 WS=10 '99	1
31	31007107001	% PVC-HOSE 6X9 MM PER METER	0
32	0934080003	HEXAGON NUT DIN0934-M 8	1
39	58329039000	WRENCH SCREW FILTER	1
41	59029041000	FEELER GAUGE SET10,12,15,20,25	1
48	58429048000	INJEKTION FOR FRONT PIPE '99 DEAERATE FOR FRONT PIPE	1

05585290

C05585290

* NEW PART X ON DEMAND



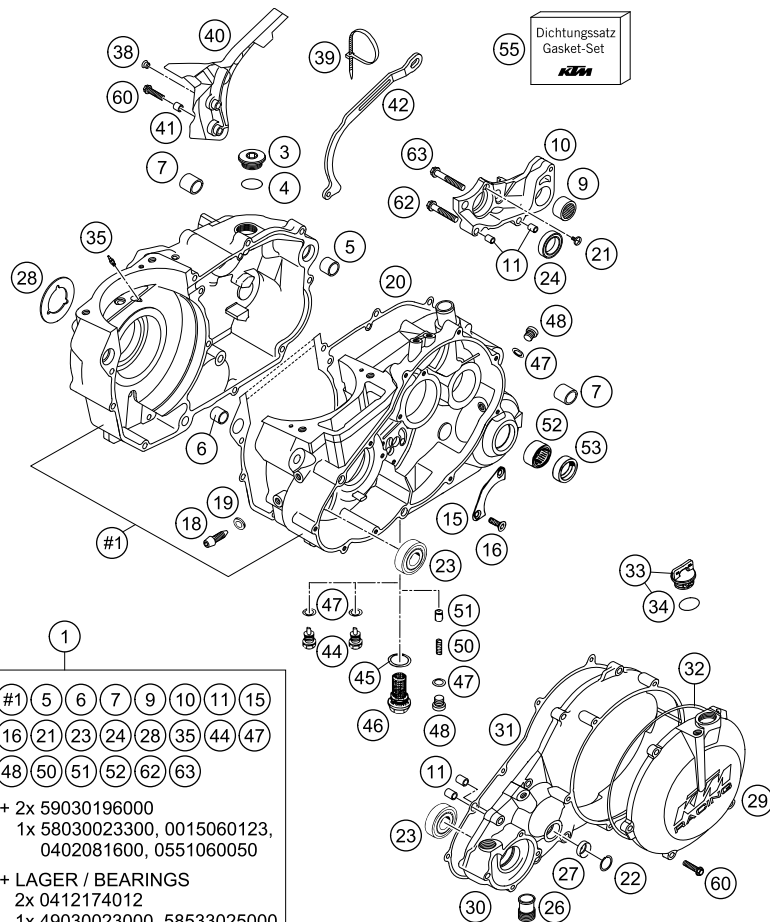
05588300

POS	PARTNUMBER	PARTNAME	PIECE
1	5853000054430	ENGINE CASE CPL.W.TRAN.BEAR.04 BLACK	1
3	58530088000	PLUG VISUAL CHECK TRANSMISSION	1
4	0770020020	O-RING 20X2 VITON	1
5	50130027000	DOWEL 19 X15,1X12	1
6	51030026100	DOWEL 17 X 13 X 12	1
7	58530010000	CRANK SHAFT BUSH RALLYE 2001	2
9	58033097000	NEEDLE BEARING HK 2216	1
10	58330011000	SHIFT MECHANISM SUPPORT LC4'94	1
11	49030090000	DOWEL 9,8 X 7 X 10	4
15	56530017000	RETAINING PLATE	1
16	0991060166	% FL.HEAD SCR.DIN7991-M6X16	2
18	58530080000	LOCATING SCREW	1
19	0603082121	SEAL RING CU DIN7603- 8X12X1	1
20	58530039200	% ENGI.CASE GASKET SIL C-4400	1
21	0985050103	OVAL HEAD SCR. DIN7985-M 5X10	1
22	0472200010	LOCKRING DIN 472 20X1MM	1
23	0412174012	CYLIND.ROLL.NJ 203 ECP/C3 2001	2
24	0625618050	BALL BEARING 61805 C3	1
26*	58030010100	%HOSE CONNECTOR M20X1,5 SPLICE	1
27	58430095100	INSPECT.GLASS GW 20-7 MINERAL	1
28	58440091000	STOP DISK 33 X 58 X 1,5	1
29	5853002600030	CLUTCH COVER OUTS.CPL.BLACK 04	1
30	5853000100030	CLUTCH COVER BLACK 2003	1
31	58530025000	CLUTCH COVER GASKET 2001	1
32	0770165024	O-RING 165X2,4 2001	1
33*	58030020100	PLUG CPL. M24X3	1
34	0770191015	O-RING 19,00X3,00 NBR	1
35	60030064090	OIL JET 90 M6X0,75 WS8 03	2
38	54403135000	PLASTIC CAP SFL10	1
39	44011076305	CABLE TIE 300/4,8MM BLACK	1
40	58530060000	SPROCKET COVER RALLYE 2001	1
41	54613038150	BUSHING 6,5X8X11	1
42	58530047000	CHAIN DAMPERSHEET 16/17T RAL.	1
44	58030021000	OILDRAIN PLUG W.MAG. M 12X1,5	2
45	58038017100	CU-SEAL RING DIN7603-22X27X2	1
46	58038019100	OIL DRAIN PLUG M22X1,5	1
47	58038022000	CU-SEAL RING DIN7603-12X18X1,5	4

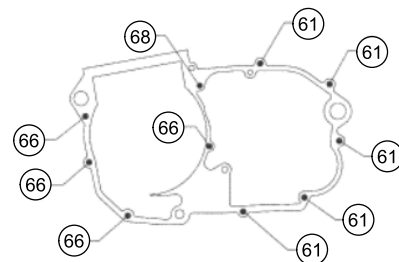
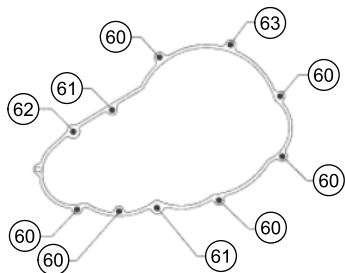
C05585300

* NEW PART

X ON DEMAND



POS	PARTNUMBER	PARTNAME	PIECE
48	0908120153	PLUG DIN0908-M12X1,5	2
50	58538023000	OIL PRES.SPRING 5 BAR RED 2001	1
51	58038028000	VALVE PISTON D=10MM	1
52	58033090000	NEEDLE BEARING RNA 4903	1
53	0760223270	SHAFT SEAL RING 22X32X7 BSL	1
55	58530399100	GASKET SET 660 RALLYE 03	1
60	0015060253	% HH COLLAR SCREW M 6X25 WS=8	12
61	0015060303	HH COLLAR SCREW M 6X30 SW=8	7
62	0015060353	% HH COLLAR SCREW M 6X35 WS=8	2
63	0015060403	% HH COLLAR SCREW M 6X40 WS=8	2
66	0015060553	HH COLLAR SCREW M 6X55 WS=8	4
68	0015060653	HH COLLAR SCREW M 6X65 WS=8	1

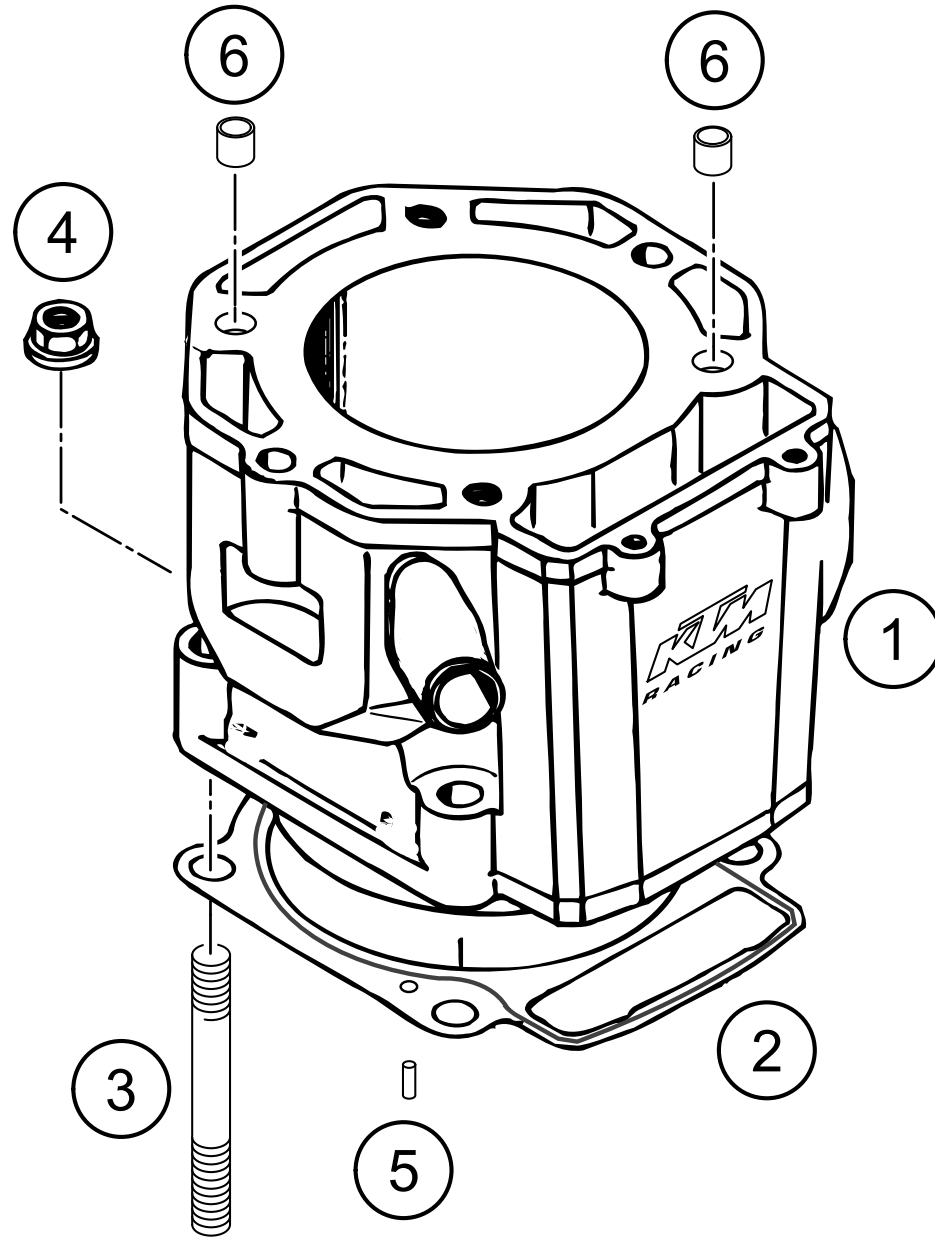


05588300

C05585300

* NEW PART

X ON DEMAND



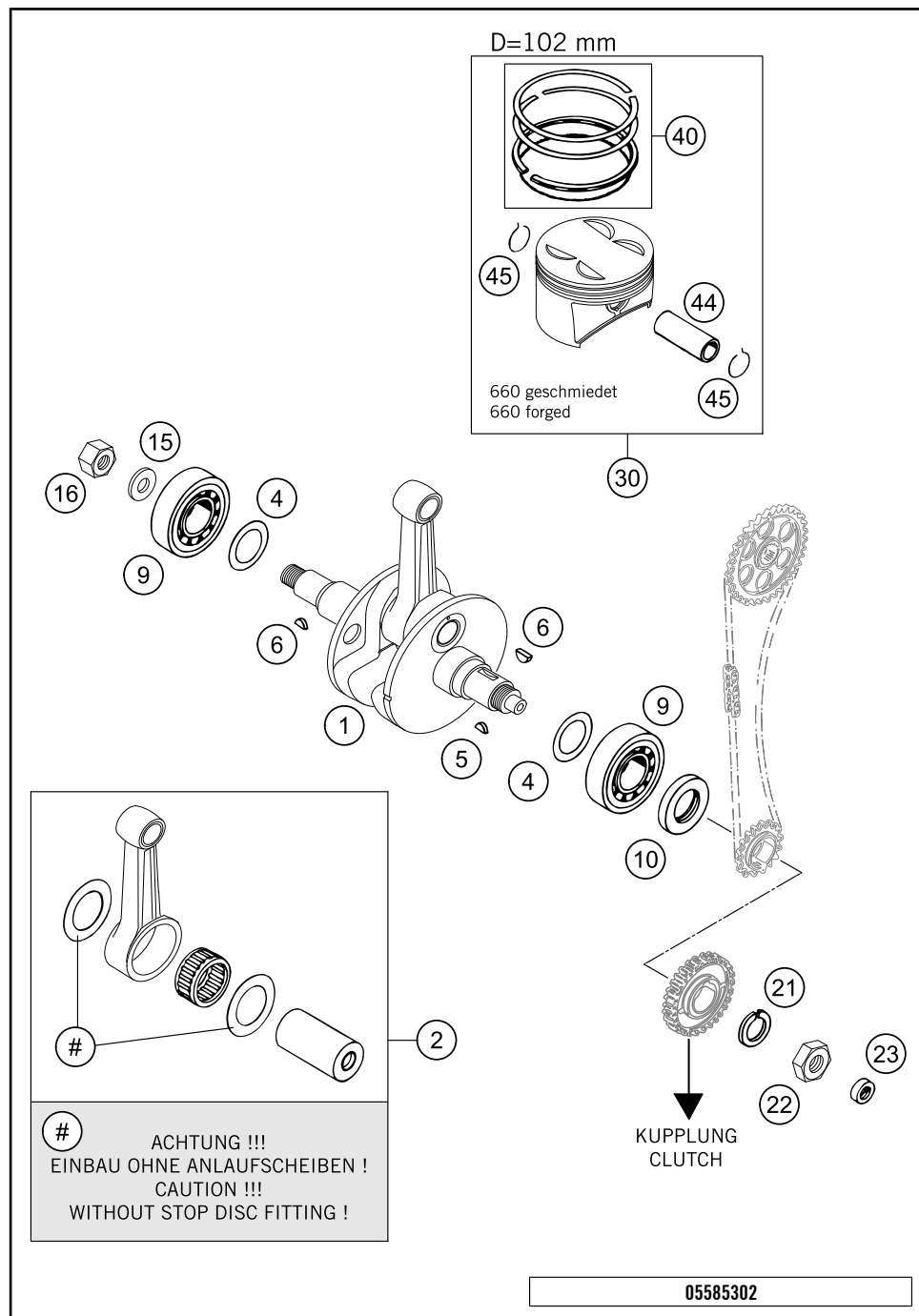
POS	PARTNUMBER	PARTNAME	PIECE
1	5853000530030	CYLINDER 102MM 660 RAL. BLA.04 BLACK	1
2	58530035000	CYL. BASE GASKET 0,33MM 2001	1
3	58530043000	STUD M10X75	4
4	0331100003	COLLAR NUT DIN6923-M10 WS=15	4
5	0402040980	NEEDLE ROL.DIN5402 NRB 4X9,8	2
6	58530014000	% DOWEL 10,2X12,5X10 2001	2

04585304

C05585301

* NEW PART

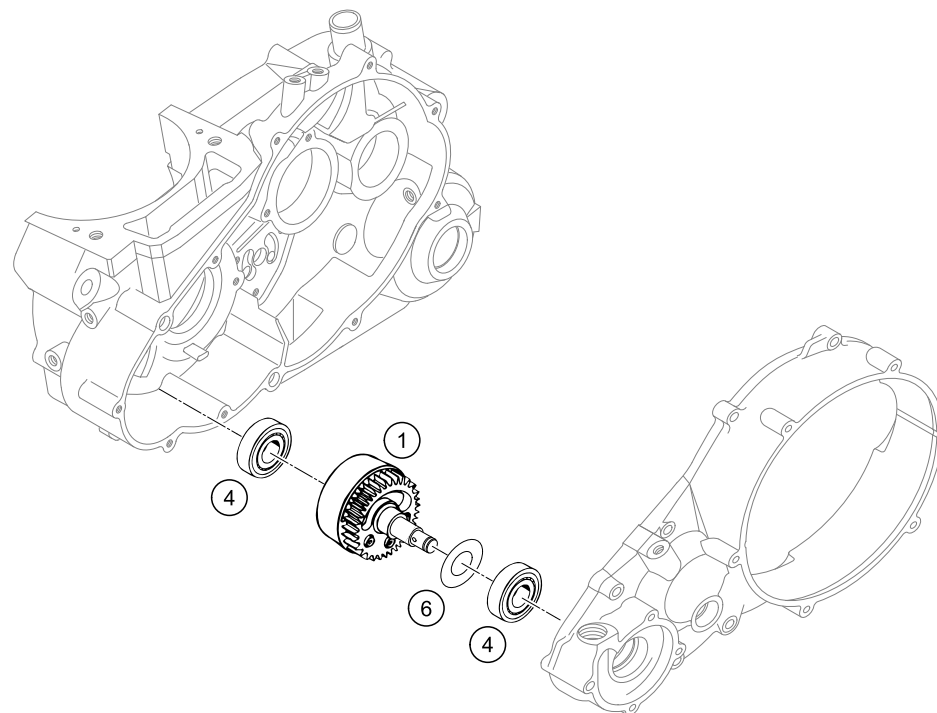
X ON DEMAND



POS	PARTNUMBER	PARTNAME	PIECE
1	58530018300	CRANKSHAFT CPL. RALLYE 2002 HUB 80MM	1
2	58530015044	% CONNECTING ROD REPAIR SET LC 640/660 CCM L=141,5MM	1
4	56530081000	SHIM WASHER 36X48X0,10	x
4	56530081100	SHIM WASHER 36X48X0,15	x
4	56530081300	SHIM WASHER 36X48X0,30	x
5	0888030050	WOODRUFF KEY DIN6888-3X5X13	1
6	6946005	WOODRUFF KEY 5X6,5 HARDED	2
9	56530123000	CYL.ROLLER BEAR. NJ 207 ECP C3	2
10	0760304071	SHAFT SEAL RING 30X40X7 BSL	1
15	58330095000	STEEL WASHER 16 X 30 X 3	1
16	58430028000	HEX NUT M16x1,25 L/S	1
21	58030019000	LOCKING RING VSK 20	1
22	0936200155	HEXAGON NUT DIN0936-M20X1,5	1
23	0760122270	SHAFT SEAL RING 12 X 22 X 7 B	1
30	58530007300 I	PISTON I CPL. D=102MM 03	1
30	58530007300 II	PISTON II CPL. D=102MM 03	1
40	58530031144	PISTONRING SET ELKO 660 RALLYE	1
44	58330833000	PISTON PIN 22 X 13 X 60	1
45	58430074000	CIRCLIP 22 X 1,6	2

C05585302

* NEW PART X ON DEMAND



POS	PARTNUMBER	PARTNAME	PIECE
1	58530057144	BALANCER SHAFT CPL.WAPU RAL.03	1
4	0412174012	CYLIND.ROLL.NJ 203 ECP/C3 2001	2
6	0988172410	SHIM WASHER DIN988-17X24X0,1	2

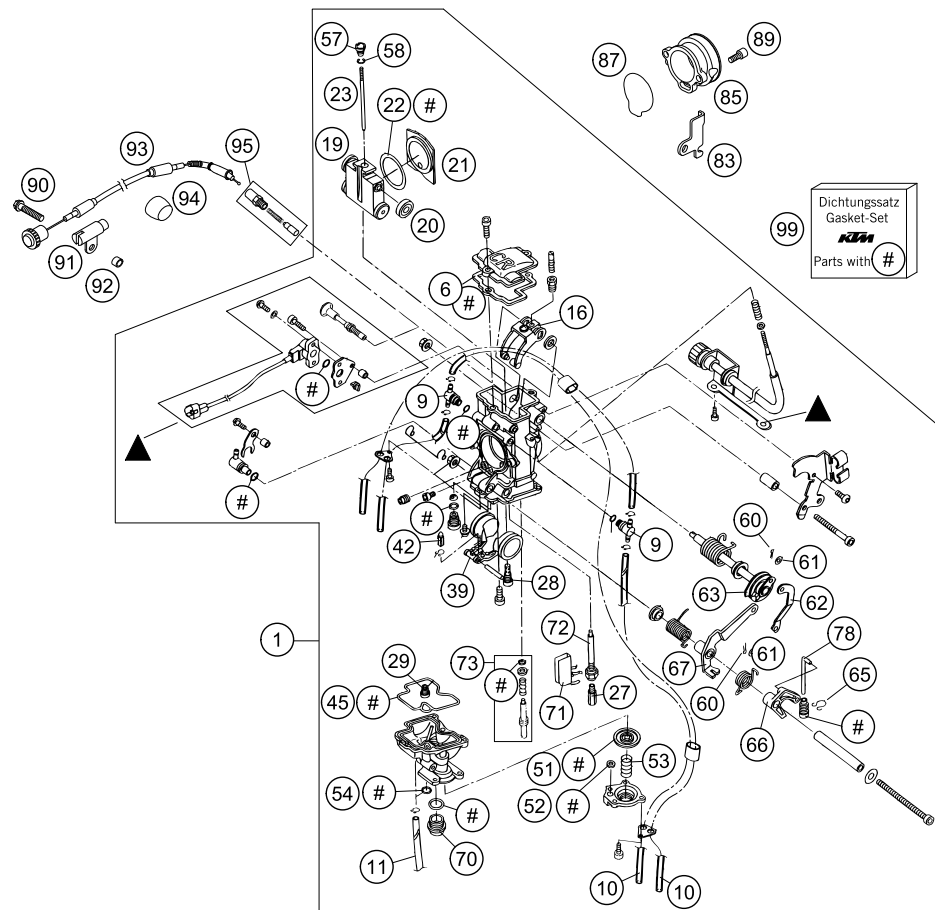
03585304

C04585304

* NEW PART

X ON DEMAND

ACHTUNG !!!
 Vor dem Einbau des Vergasers, Bedüsung kontrollieren.
CAUTION !!!
 Before mounting the carburetor, check the jetting.



ACHTUNG !!!
 Vom Standardvergaser entfernen.
CAUTION !!!
 Remove from standard-carburetor.

05585310

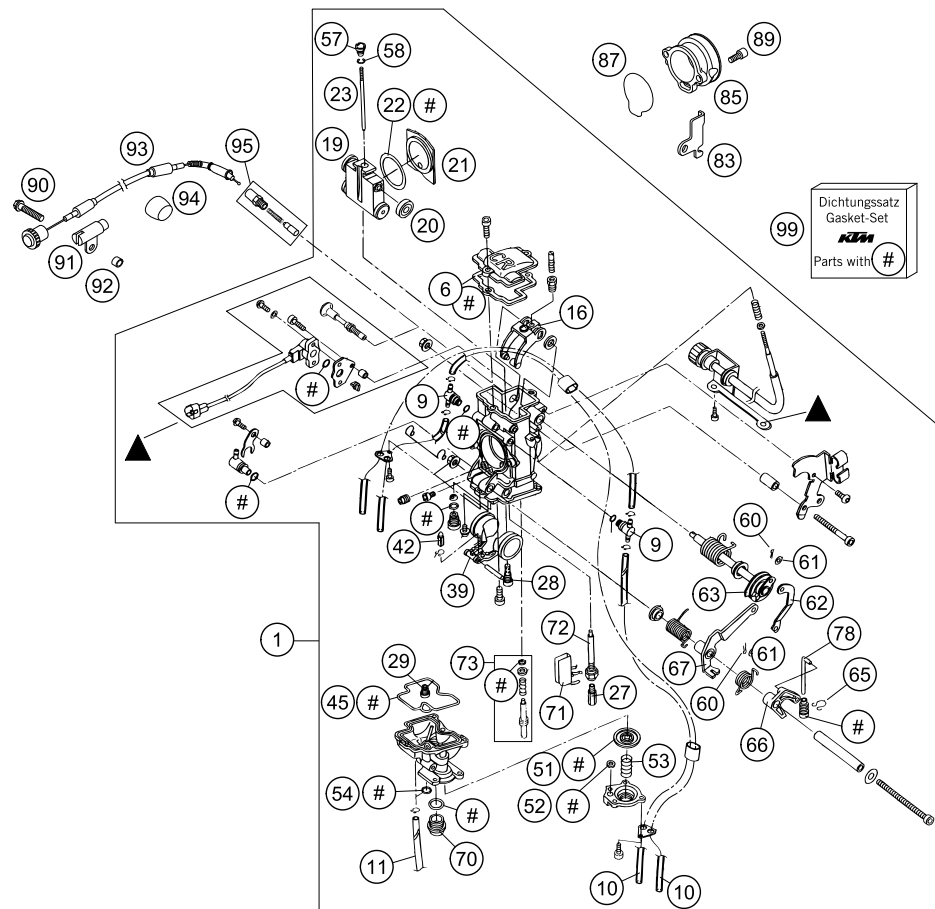
POS	PARTNUMBER	PARTNAME	PIECE
1	59031001000	CARBURETOR KEIH. MX FCR39 2000	1
6	59031028000	GASKET CARBURETOR COVER	1
9	59031083000	T-JOINT BREATHER HOSE	2
10	31007007101	PVC-HOSE 4X6MM	2
11	52031137001	PVC-HOSE 3X5MM	0
16	59031035051	LINK ARM THROTTLE VALVE CPL.	1
19	59031035015	THROTTLE VALVE 15 CPL.	1
20	59031035050	BUSHING THROTTLE VALVE	4
21*	59031035153	GASKET PLATE THROTTLE VALVE 04	1
22	59031035052	GASKET WASHER THROTTLE VALVE	1
23	590310340VR	% JET NEEDLE KEIHIN OBDVR	1
23	590310340TM	% JET NEEDLE KEIHIN OBDTM	x
23	590311340VR	JET NEEDLE OBEVR	x
23	59031023000	JET NEEDLE KEIHIN OBEVP	x
23	59031023100	JET NEEDLE KEIHIN OBDVP	x
23	59031023200	JET NEEDLE KEIHIN OBDVT	x
27	54531623180	MAIN JET 180 KEIHIN	x
27	54531623182	MAIN JET 182 KEIHIN	x
27	54531623185	MAIN JET 185 KEIHIN	x
27	54531623188	MAIN JET 188 KEIHIN	x
27	54531623190	MAIN JET 190 KEIHIN	1
27	54531623192	MAIN JET 192 KEIHIN	x
27	54531623195	MAIN JET 195 KEIHIN	x
27	54531623198	MAIN JET 198 KEIHIN	x
27	54531623200	MAIN JET 200 KEIHIN	x
28	59031607045	IDLE JET 45	x
28	59031607048	IDLE JET 48	x
28	59031607050	IDLE JET 50	x
28	59031607052	IDLE JET 52	1
29	59031051085	STARTER JET 85	1
39	59031009000	FLOAT CPL.	1
42	54631220000	FLOAT NEEDLE	1
45	59031010000	GASKET FLOAT CHAMBER	1
51	59031057000	DIAPHRAGM ACCELERATOR PUMP	1
52	59031058000	U-RING	1
53	59031059000	COIL SPRING	1
54	59031058100	O-RING	1
57	59031032000	NEEDLE SET SCREW	1

C05585310

* NEW PART

X ON DEMAND

ACHTUNG !!!
 Vor dem Einbau des Vergasers, Bedüsung kontrollieren.
CAUTION !!!
 Before mounting the carburetor, check the jetting.



ACHTUNG !!!
 Vom Standardvergaser entfernen.
CAUTION !!!
 Remove from standard-carburetor.

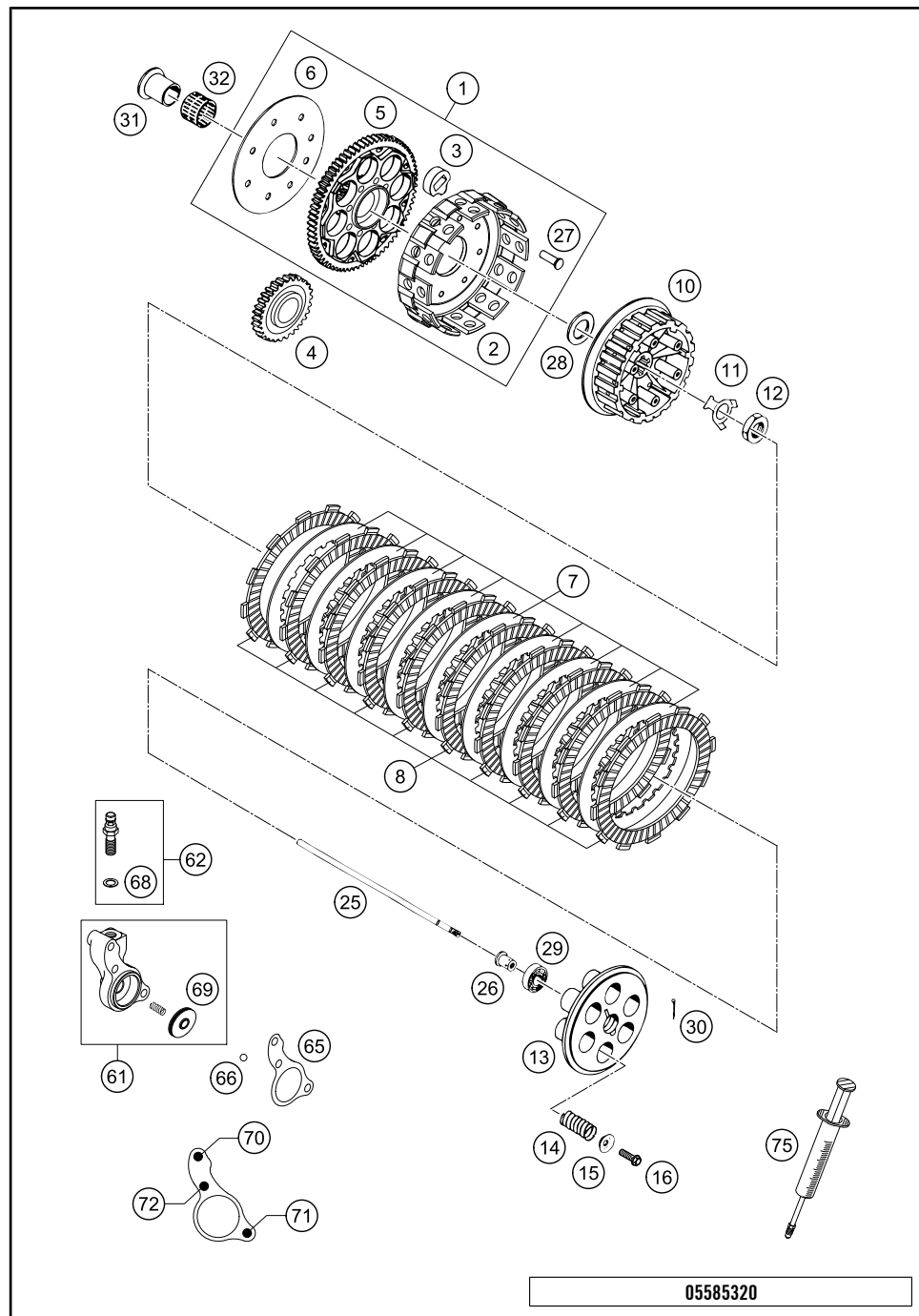
05585310

POS	PARTNUMBER	PARTNAME	PIECE
58	59031029000	BAR CLIP	1
60	0094010103	SPLIT PIN 1,0X10	2
61	59031087000	PVC WASHER 3X8X0,5	2
62	59031063000	LINK ARM CPL.	1
63	59031046000	THROTTLE SHAFT CPL.	1
65	59031084000	TUBE CLIP	1
66	59031056000	LINK LEVER	1
67	59031062000	LINK LEVER CPL.	1
70	59031014000	HOLDING BOLT	1
71	59031085000	BUFFER PLATE	1
72	59031121000	NEEDLE JET FCR-MX	1
73	59031017000	ADJUST SCREW CPL.	1
78	59031061000	ROD ACCELERATOR PUMP	1
83	59031029024	SLIDE STOP 24,5MM	x
85	59031040200	INTAKE FUNNEL FCR/FCR-MX 02	1
87	59031040010	O-RING FOR INTAKE FUNNEL	1
89	0912050123	AH SCREW DIN0912-M 5X12	2
90	0015060403	% HH COLLAR SCREW M 6X40 WS=8	1
91	58302095251	SLEEVE FOR CHOKE CABLE	1
92	50208020000	SPACER BUSHING 7X10X7,5	1
93	58502095200	% CHOKE CABLE RALLYE 2001	1
94	58007012200	PVC CAP FOR FUEL TANK	1
95	58502096000	CONNECTION CHOKE-CABLE 2001	1
99	59031099000	GASKET SET FCR KEIHIN	1

C05585310

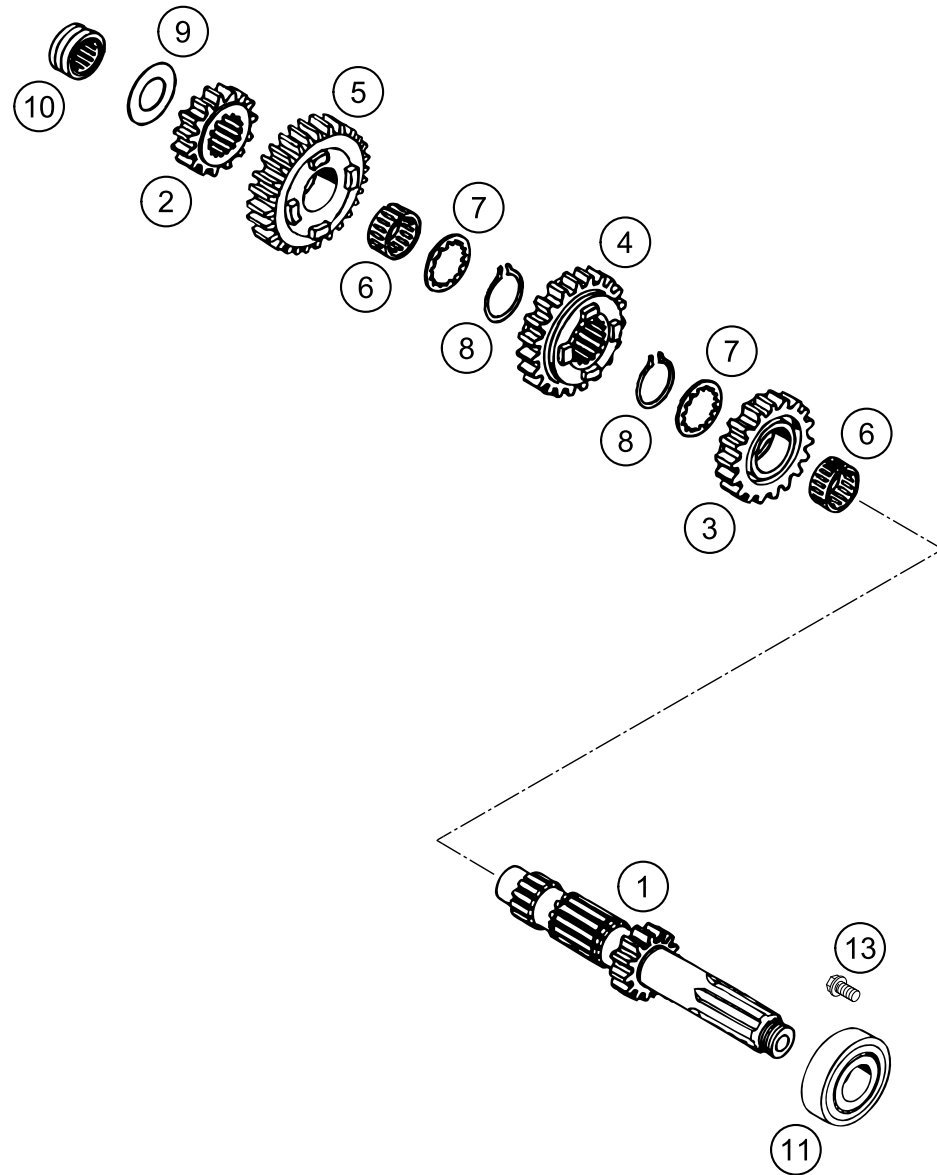
* NEW PART

X ON DEMAND



POS	PARTNUMBER	PARTNAME	PIECE
1	58532001144	OUTER CLUT. HUB CPL. RALLYE 01	1
2	58532001100	OUTER CLUTCH HUB MILLED 2001	1
3	58332026000	DAMPING ELEMENT '94	8
4	58532000131	PRIMARY GEAR WHEEL 31-T 2001	1
5	58532000079	CLUTCH WHEEL 79-T 2001	1
6	58332028000	BRACKET 57 x 132 x 1,5 '94	1
7	58332112000	STEEL DISK 1,5 MM LC4'94	9
8	58332011300	LINING DISK 2,7MM FCC 02	10
10	58532002100	INNER CLUTCH HUB RALLYE 2004	1
11	58332018000	LOCK WASHER '94	1
12	0936181505	HEXAGON NUT DIN0936-M18X1,5 R.	1
13	58332003300	PRESSURE CAP LC4/LC4-E 04	1
14	58332080000	CLUTCH SPRING 2,8 X 37	6
15	58132081000	SPRING RETAINER 6,2 X 20 X 3,2	6
16	0015060203	HH COLLAR SCREW M 6X20 WS=8	6
25	58532017000	PUSH ROD RALLYE 222MM 2001 WITH GROOVE	1
26	58332032000	PRESSURE BOLT LC4'94	1
27	58332007000	RIVET 6 X 23 X 11,2	8
28	57532013000	SUPPORTWASHER 22,2X35X3 HARDE.	1
29	0625060016	GROOV.BALL BEAR. 6001.2RSR C3	1
30	0094020163	PIN DIN0094-2,0X16	1
31	50332070000	INNER RING WITH COLLAR	1
32	56532095000	NEEDLE BEARING K26X30X22ZW.KSE	1
61	58532061044	CYLINDER D=25MM CPL. RALLYE 01	1
62	50332062000	HOLLOW SCREW CPL. M 10X1 '98	1
65*	58632065000	CLUTCH RELEASE GASKET	1
66	0401070003	BALL DIN5401-7	1
68	42013226000	CU-SEAL RING DIN7603-10X16X1	1
69	58532066000	PISTON WITH O-RING D=25MM 2001	1
70	0912060303	AH SCREW DIN0912-M 6X30	1
71	0984060163	AH SCREW DIN6912-M 6X16 WITH LOW HEAD	1
72	0912060253	AH SCREW DIN0912-M 6X25	1
75	50329050000	VENT INJEKTION HYDR. CLUTCH	1

* NEW PART X ON DEMAND



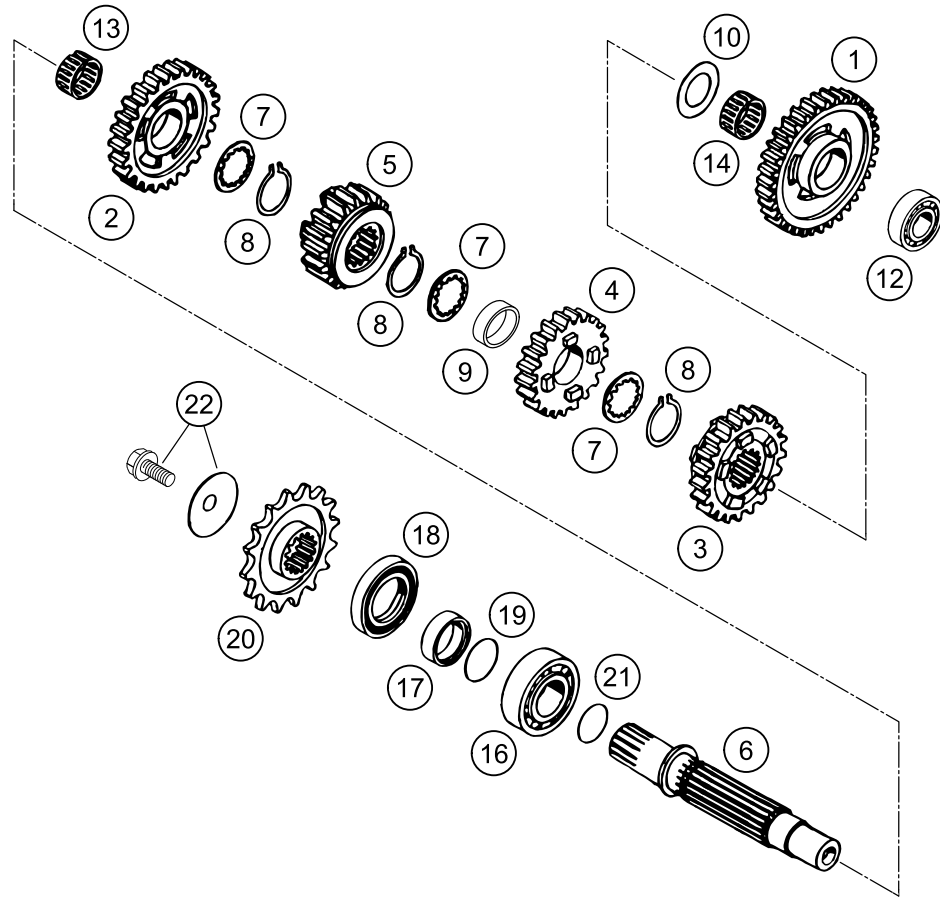
POS	PARTNUMBER	PARTNAME	PIECE
1	58333002000	MAIN SHAFT 15T '94	1
2	56533010300	SOLID GEAR 2.G 15-T (2G3)	1
3	58333004002	IDLER GEAR 3.G 18-T "02"	1
4	58333006004	SLIDING GEAR 4.G 20-T "04"	1
5	58333008008	IDLER GEAR 5.G 22-T "08"	1
6	58533021000	NEEDLE BEAR. K22X26X13 DIVIDED	2
7	56533016300	STOP DISK 22,7 X 32 X 1,5	2
8	52033096000	LOCK RING DIN0471-25X1,64SD	2
9	56533015000	STOP DISK 20,2 X 35 X 1	1
10	56533093000	NEEDLE BEARING RNA 4902 KSE	1
11	58533025000	CYL.ROLL BEARING BC1-0076A	1
13	0015060123	HH COLLAR SCREW M 6X12 WS=8	1

03583330

C04585330

* NEW PART

X ON DEMAND



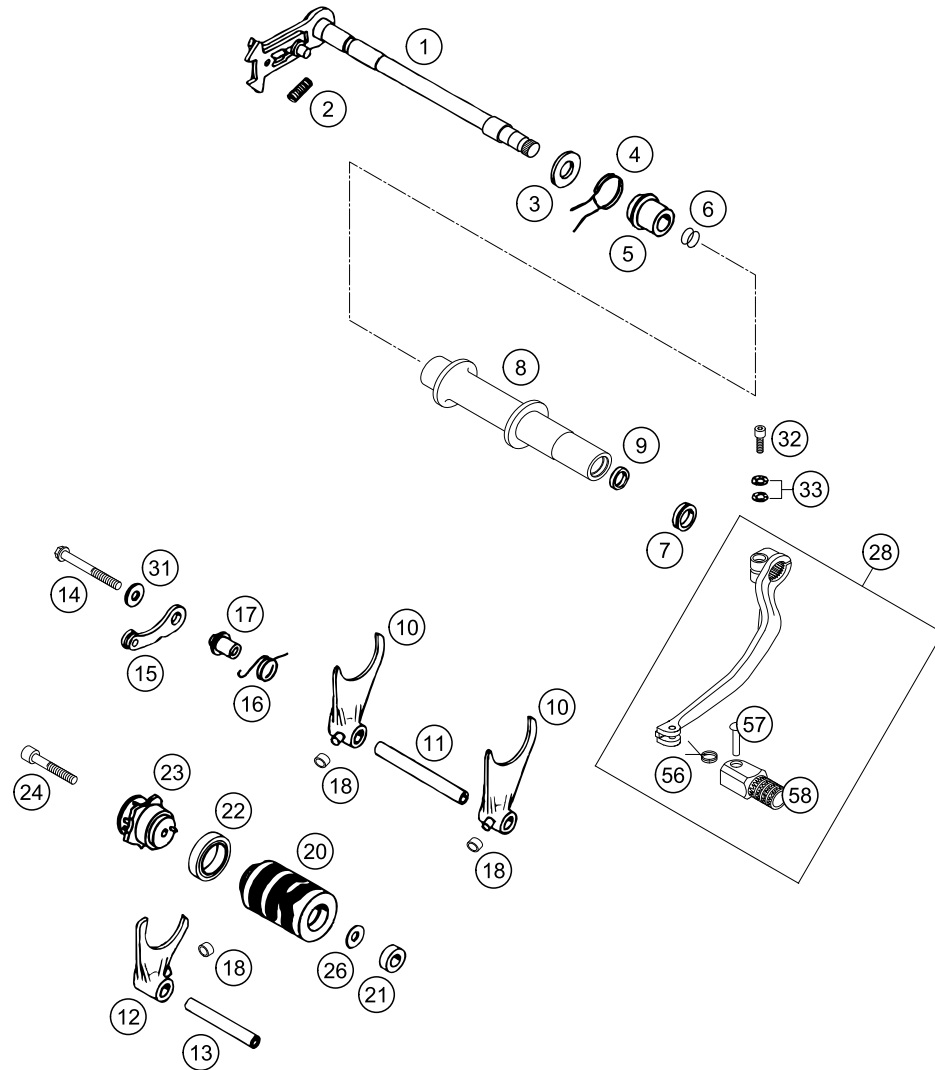
POS	PARTNUMBER	PARTNAME	PIECE
1	57533005000	IDLER GEAR 1ST GEAR 33T(1M4)93	1
2	58333113010	IDLER GEAR 2.G 24-T "10"	1
3	58333007003	SLIDING GEAR 3.G 21-T "03"	1
4	58533009012	IDLER GEAR 4.G 19-T 04	1
5	58333011009	SLIDING GEAR 5.G 18-T "09"	1
6	58533010000	COUNTERSHAFT 15-T 04	1
7	56533016300	STOP DISK 22,7 X 32 X 1,5	3
8	52033096000	LOCK RING DIN0471-25X1,64SD	3
9	58533022000	BUSHING BOX 04	1
10	56533018300	STOP DISK 22,2 X 35 X 1,5	1
12	0412303914	CYL.ROLL BEARING NJ204ECP/C3	1
13	58533021000	NEEDLE BEAR. K22X26X13 DIVIDED	1
14	56533098000	NEEDLE BEARING K22X26X13H	1
16	49030023000	CYL.ROLL BEARING NJ205	1
17	58033017000	SPACER BUSHING	1
18	0760324771	SHAFT SEAL RING 32X47X7 BSL	1
19	0770250021	O-RING 25,00X2,00 SILICONE	1
20	58033029014	ENGINE SPROCKET 14 T	x
20	58033029015	ENGINE SPROCKET 15 T	x
20	58033029016	ENGINE SPROCKET 16 T	1
21	0770220010	O-RING 22,00X1,00 NBR 70	1
22	59033034044	SCREW 10.9+SPRING WASHER	1

05585331

C05585331

* NEW PART

X ON DEMAND



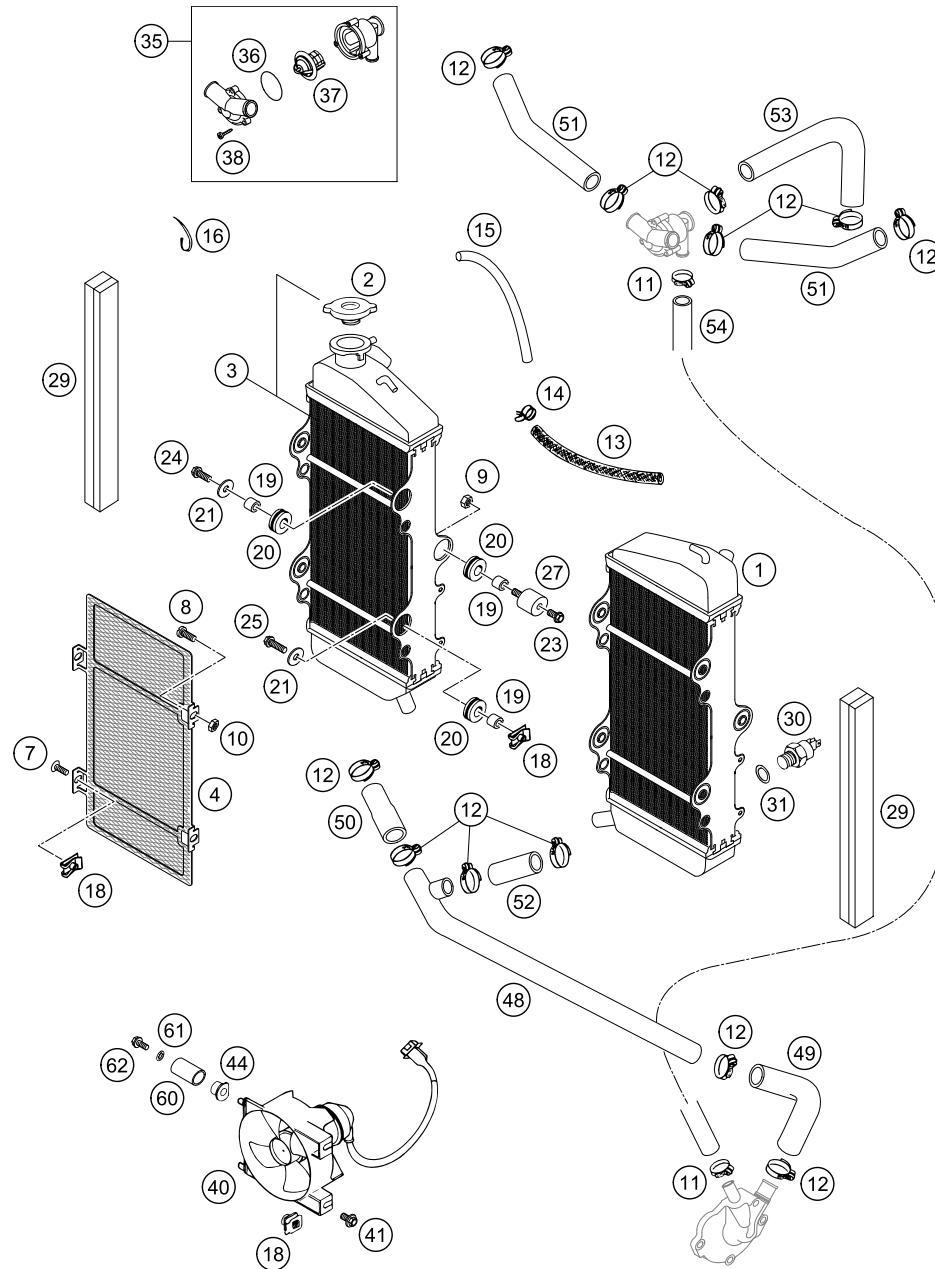
POS	PARTNUMBER	PARTNAME	PIECE
1	58534005044	SHIFT SHAFT WELDED 2001	1
2	56534013100	TENSIONING SPRING 0,8MM	1
3	58034010000	STEEL WASHER 14 X 28 X 2	1
4	58034014000	RETURN SPRING	1
5	58334020000	SPRING SLEEVE	1
6	0770125020	O-RING 12,50X2,00 NBR 70	2
7	58033027000	V-SEAL RING V-14-A	1
8	58534006000	SPACER SHAFT 2001	1
9	54632090000	SEAL RING DH/GR 12X16X3	1
10	58034002300	SHIFT FORK 1ST/4TH+2ND GEAR'98	2
11	58034004000	SHIFT RAIL 1ST/4TH + 2ND GEAR	1
12	58034001300	SHIFT FORK 3RD/5TH GEAR '98	1
13	58034003000	SHIFT RAIL 3RD/5TH GEAR	1
14	0015060653	HH COLLAR SCREW M 6X65 WS=8	1
15	58334024044	LOCKING LEVER CPL. '94	1
16	58034023500	SPRING	1
17	58334017000	SPRING SLEEVE	1
18	50334018100	SHIFTING ROLLER 6X8X5,2	3
20	58334012100	SHIFT ROLLER ALU '98	1
21	0625006087	GROOVED BALL BEAR. 608 2RS C3	1
22	0625618050	BALL BEARING 61805 C3	1
23	58434015044	SHIFT LOCATING DRUM CPL. '98	1
24	0912060404	AH SCREW DIN0912-M 6X40 A2	1
26	51006097000	WASHER 6,2X22X1,ST30,W.GALV.	1
28*	58534031144	SHIFT LEVER CPL. 05	1
31	50232050000	WASHER 6,2X18X2	1
32	0912060203	AH SCREW DIN0912-M 6X20	1
33	50233041000	PAIR OF WASHERS M 6 NORDLOCK	1
56	54634032100	SHIFTING LEVER SPRING 250	1
57	54634031050	BOLT 6X25 FOR SHIFT LEVER	1
58	54634131000	STEP PLATE FOR SHIFT LEVER 250	1

05585340

C05585340

* NEW PART

X ON DEMAND



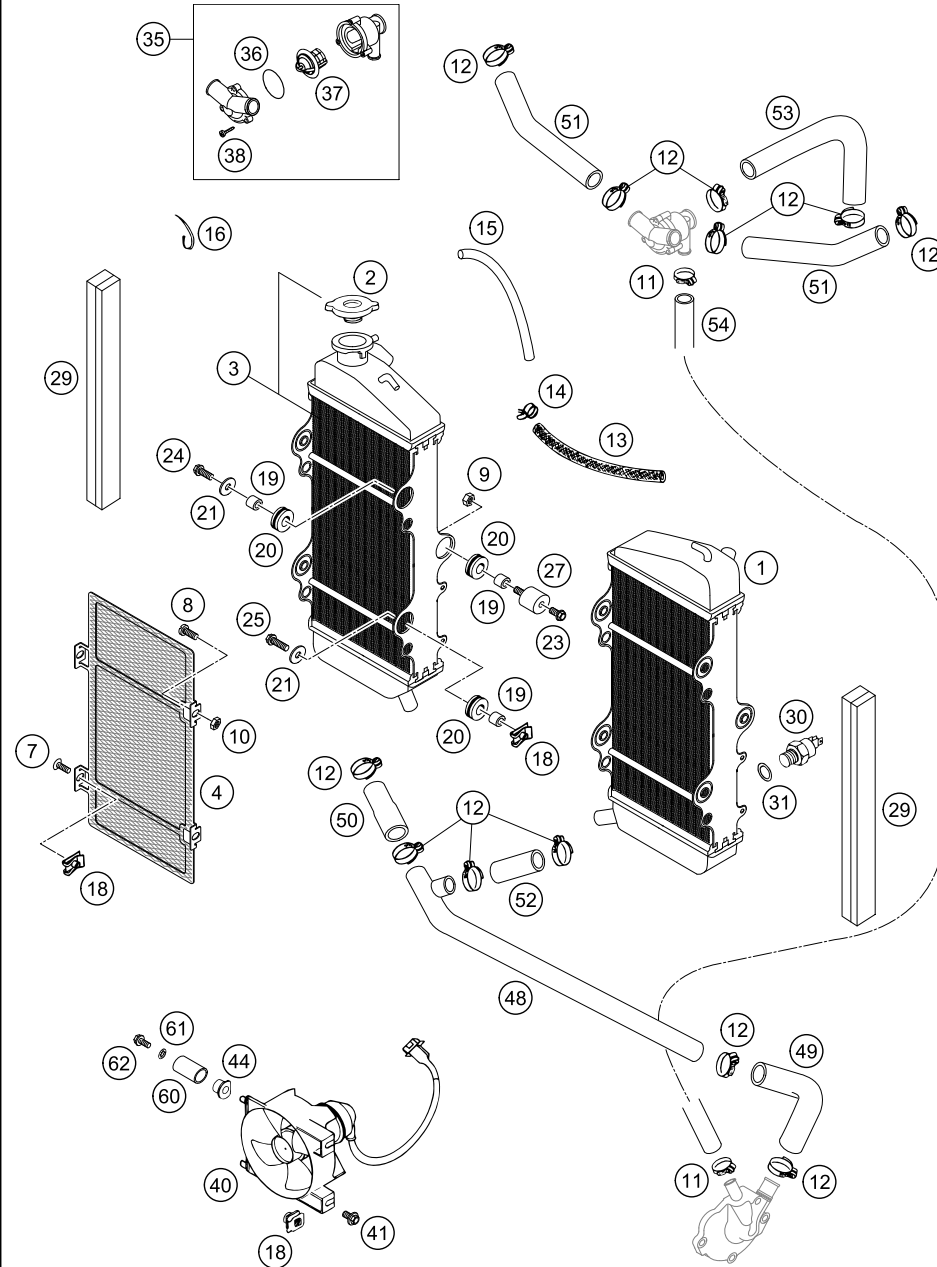
05585350

POS	PARTNUMBER	PARTNAME	PIECE
1	58535007000	RADIATOR L/S RALLYE 2001	1
2	58035016000	RADIATOR CAP SMALL 20,3 PSI	1
3	58535008000	RADIATOR R/S RALLYE 2001	1
4	58503008000	RADIATOR PROTECTOR CPL. R/S 01	1
4	58503007000	RADIATOR PROTECTOR CPL. L/S 01	1
7	0991060163	FLAT HEAD SCR. DIN7991-M 6X16	4
8	0085060160	PLASTIC-SCREW M6X16 MM	4
9	0985060003	SELF LOCK. NUT DIN0985-M 6	2
10	0934060003	HEXAGON NUT DIN0934-M 6	4
11	58335099000	HOSE CLAMP GEMI 10-16	2
12	10001020000	HOSE CLAMP GEMI 18-29	12
13	54435024001	HOSE ID 7,5 PER METER	0
14	58031005000	CLAMP YDNAC 10128 12MM	2
15	55007016001	PVC-HOSE 7X10 PER METER	0
16	44011076200	CABLE TIE 200/3,6MM BLACK	x
18	50235033300	% SNAP-NUT HOLDER M6 KP142	10
19	58011039100	BUSHING 6,5X11,2X10	6
20	41001052000	RUBBER SLEEVE D=12MM	6
21	0021060003	WASHER DIN9021-A 6,4	4
23	0015060123	HH COLLAR SCREW M 6X12 WS=8	2
24	0015060163	HH COLLAR SCREW M 6X16 WS=8	2
25	0015060203	HH COLLAR SCREW M 6X20 WS=8	2
27	43205062100	RUBBER GROMMET 20X15-M6X10 (1)	2
29	58107011000	FOAM RUBBER STRIP	2
30	58035045000	THERMOSWITCH 80-85 DG	1
31	0603142015	ALU SEALRING DIN7603-14X20X1,5	1
35*	58535013044	THERMO.CASE CPL.55 DEGREES 05	1
36	0770320020	O-RING 32,00X2,00	1
37	54635017000	THERMOSTAT 55 DEGREES '94	1
38	0016040183	SCREW FOR PLASTIC D=4X18	3
40*	58535041044	FAN CPL. WITH HOUSING L/S 05	1
40*	58535141044	FAN CPL. WITH HOUSING R/S 05	1
41	0014060103	% HH COLLAR SCREW M 6X10 WS=8	4
44	44106018000	PLASTIC CAP	2
48	58535020008	ALU TUBE 18X22 RADIA.D./WAPU	1
49	58535020007	PREFORMED H.90°CURVE TUBE/WAPU	1
50	58535020005	PREFORMED H. 18X25/21X28 50MM	1
51	58535020004	PREFORMED HOSE 30°CURVE 18X25	2

C05585350

* NEW PART

X ON DEMAND



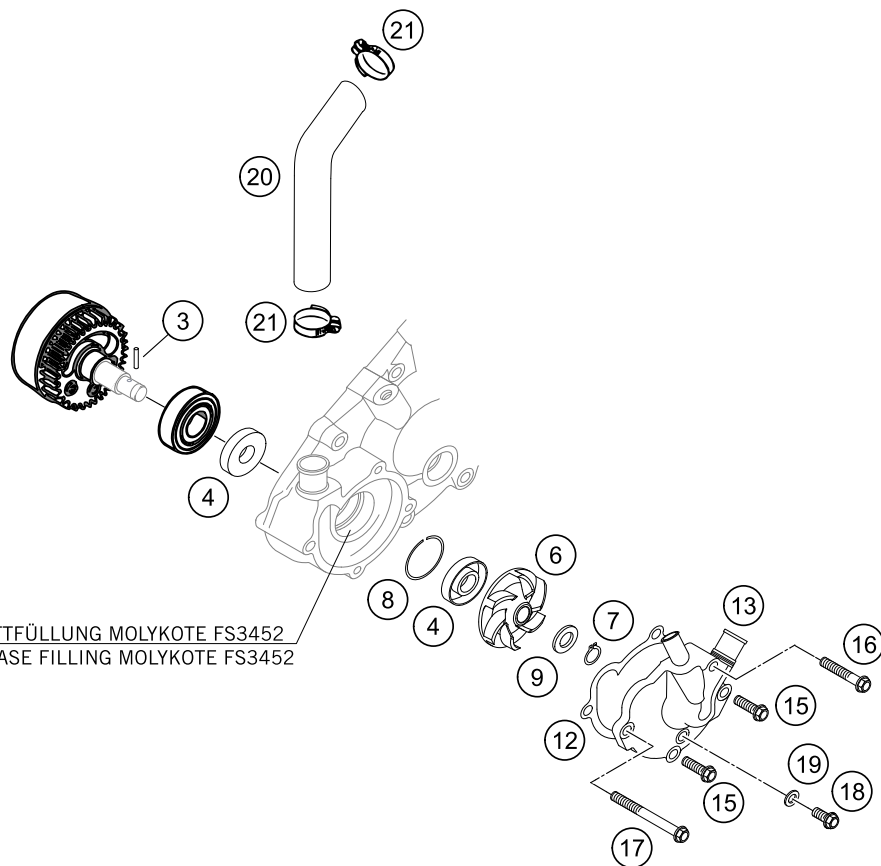
POS	PARTNUMBER	PARTNAME	PIECE
52	58535020006	PREFORMED H.18X25/50 RAD.D-ALU	1
53	58535020002	PREFORMED H. 90°CURVE 18X26 01	1
54	58035024001	RADIATOR HOSE 12 X 3 MM	0
60	58535050000	RADIATOR BUSHING 2001	2
61	0797050003	TOOTH LOCK WASH. DIN6797-J 5,3	2
62	0015050123	HH COLLAR SCREW M 5X12 WS=8	2

05585350

C05585350

* NEW PART

X ON DEMAND



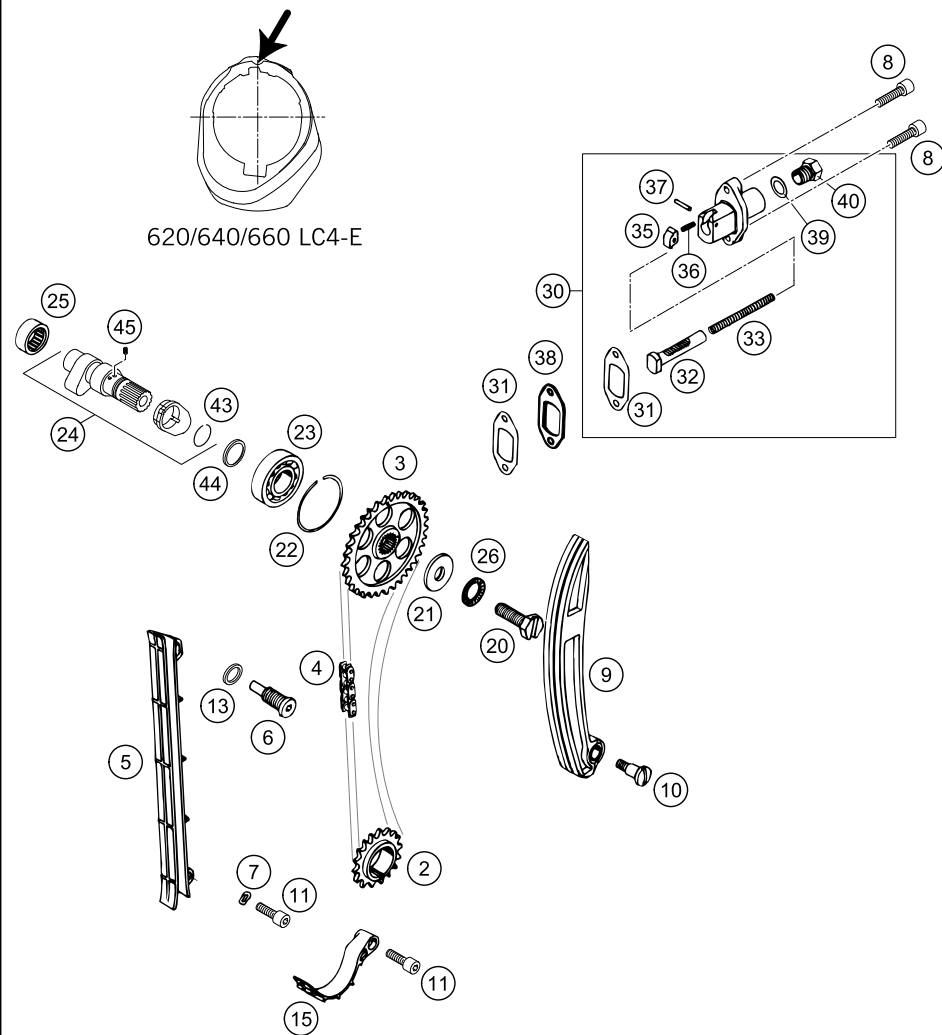
POS	PARTNUMBER	PARTNAME	PIECE
3	0402031780	NEEDLE ROL.DIN5402 NRB 3X17,8	1
4	0760123070	SHAFT SEAL RING 12X30X7 2001	2
6	58535055100	WATER PUMP WHEEL 04	1
7	0471100011	CIRCLIP DIN0471-10X1	1
8	0472030012	CIRCLIP DIN0472-30X1,2	1
9	58535057000	WASHER 10X16X1 A2 (NIRO) 04	1
12	58535053000	WATER PUMP COVER GASKET 2001	1
13	58535052144	WATER PUMP COVER CPL. SP 04	1
15	0015060203	HH COLLAR SCREW M 6X20 WS=8	2
16	0015060353	% HH COLLAR SCREW M 6X35 WS=8	1
17	0015060603	% HH COLLAR SCREW M 6X60 WS=8	1
18	0015060103	% HH COLLAR SCREW M 6X10 WS=8	1
19	58036065100	CU-SEAL RING 6 X 10 X 2	1
20	58535020001	PREFORMED H. 18X25 WAPU-CYL.01	1
21	10001020000	HOSE CLAMP GEMI 18-29	2

05585351

C05585351

* NEW PART

X ON DEMAND



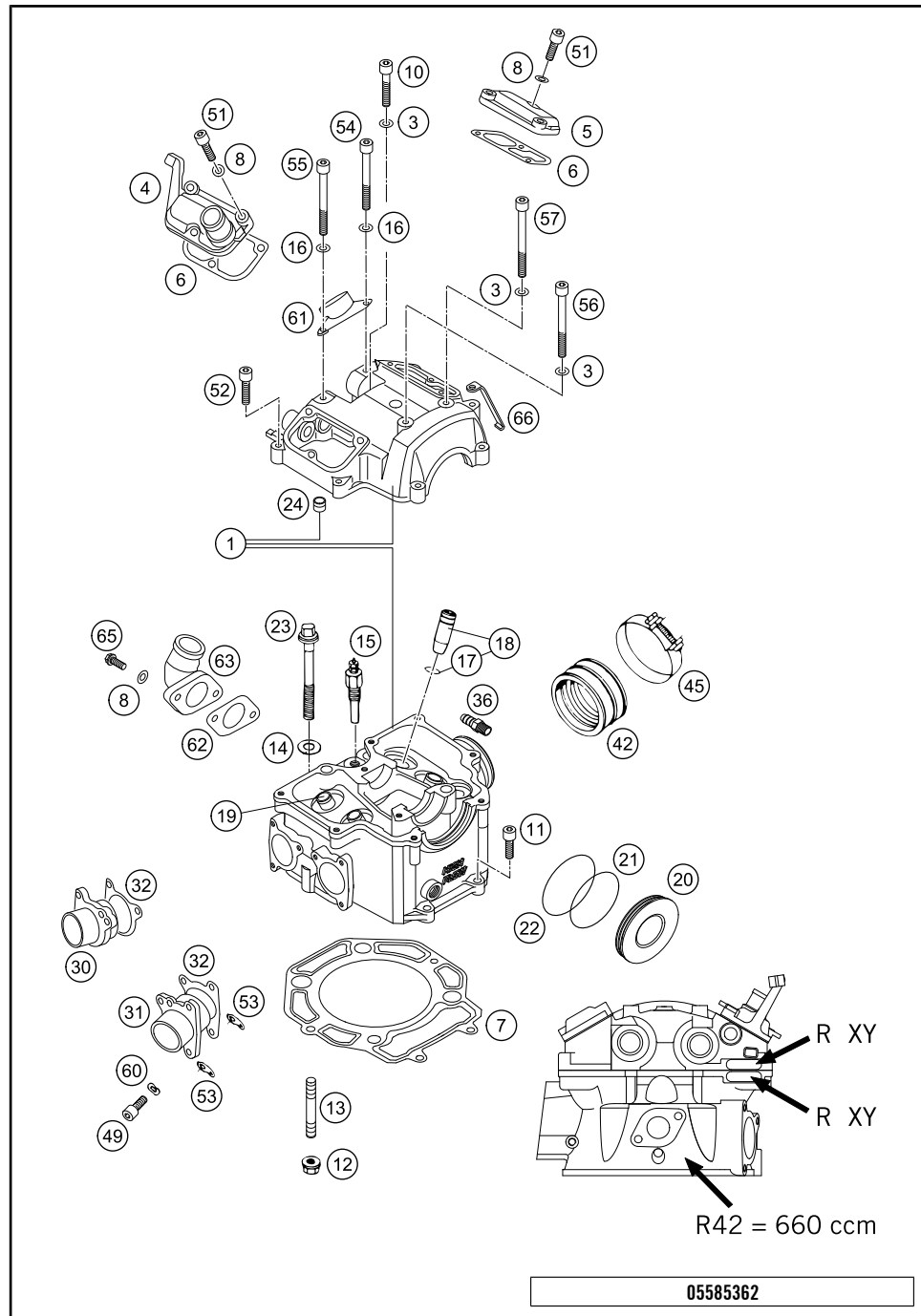
POS	PARTNUMBER	PARTNAME	PIECE
2	58036014000	TIMING GEAR 17-T	1
3	58336011001	CAMSHAFT GEAR 34-T "01" '94	1
4	58036013000	TIMING CHAIN C107C / 100 LINKS	1
5	58036001000	TIMING CHAIN GUIDE	1
6	58036009000	CHAIN GUIDE SCREW	1
7	0137060003	SPRING WASHER DIN0137-B 6	1
8	0912060253	AH SCREW DIN0912-M 6X25	2
9	58536002044	CHAIN TENSIONER RALLYE	1
10	0923080120	FLAT HEAD SCR. M 8X12	1
11	0912060208	AH SCREW DIN0912-M 6X20 SS	2
13	58038022100	CU-SEAL RING 12 X 16 X 2	1
15	58336018000	SECURING GUIDE	1
20	58336112000	DRIVING SCREW M10X25	1
21	58036012000	STEEL WASHER 10 X 28 X 3	1
22	58036096000	CIRCLIP SB 42	1
23	0625060040	GROOVED BALL BEARING TMB004	1
24	58536010044	CAMSHAFT RALLYE CPL. 2001	1
25	58036097000	NEEDLE BEARING BK 2012	1
26	36003014200	LOCKING WASHER 10MM	1
30	58036003144	AUTOM.TENSIONER CPL. '88	1
31	58036005100	TENSIONER GASKET 1,5 MM	2
32	58036004100	PRESSURE BOLT	1
33	58036006100	PRESSURE SPRING 0,9MM	1
35	58036007100	RATCHETING PAWL	1
36	58036007050	PRES.SPRING F.RATCHETING PAWL	1
37	0402031780	NEEDLE ROL.DIN5402 NRB 3X17,8	1
38	58536003050	FLANGEPL. F. AUTOM. TENSIONER	1
39	58038022000	CU-SEAL RING DIN7603-12X18X1,5	1
40	58036008100	PLUG M12X1,5	1
43	0417200120	CIRCLIP WS20	1
44	58336015000	STEPPED RING	1
45	58336016052	SPRING FOR AUTO-DECOMPR. '95	1

05585361

C05585361

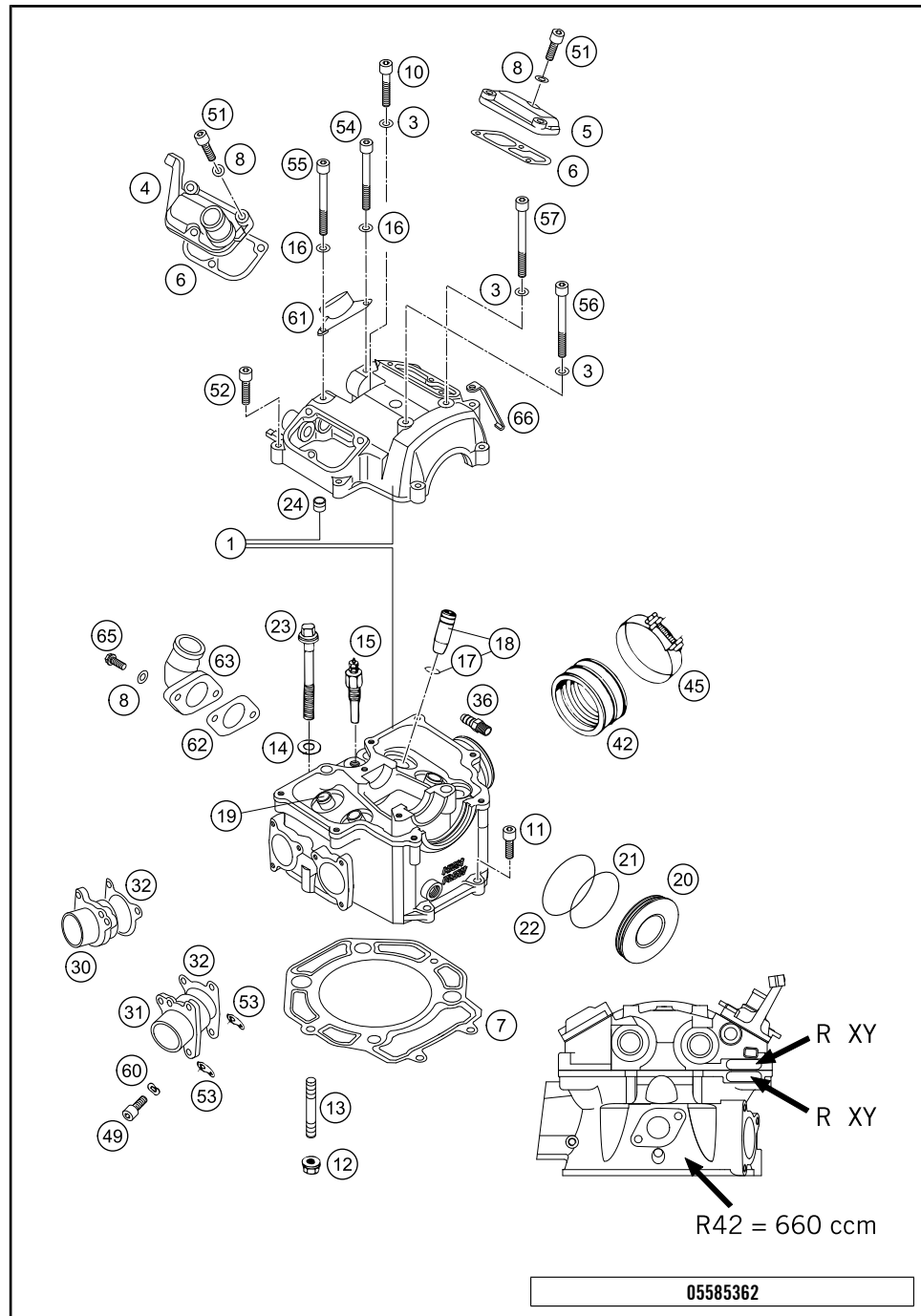
* NEW PART

X ON DEMAND



POS	PARTNUMBER	PARTNAME	PIECE
1	5853602030023	CYLINDERHEAD CPL. GREY 2003	1
3	58036065100	CU-SEAL RING 6 X 10 X 2	3
4	58036152600	VALVE COVER FRONT '99	1
5	58036052000	% VALVE COVER REAR	1
6	58036053000	VALVE COVER GASKET	2
7	58530036100	CYLINDER HEAD GASKET D=102 01	1
8	0603061001	CU-SEAL RING DIN7603-6X10X1	8
10	0912060353	AH SCREW DIN0912-M 6X35	1
11	0912060253	AH SCREW DIN0912-M 6X25	2
12	49030028000	COLLAR NUT M8	2
13	54330043000	STUD DIN0835-M 8X40 600/612/620/640/660 LC4	2
14*	0125100003	WASHER DIN0125-A10,5	4
15	42011252000	TEMPERATURE SWITCH VDO	1
16	0603070122	CU-SEAL RING DIN7603- 7X12X2	2
17	0993012000	CIRCLIP DIN7993-RW12	4
18	58036026644	VALVE GUIDE INTAKE CPL.	2
19	58036126644	VALVE GUIDE EXHAUST CPL.	2
20	58536065000	PLUG COVER 2001	1
21	0770047015	O-RING 47,00X1,50 NBR 70	1
22	0770049025	O-RING 49,00X2,50 NBR	1
23	58036099100	COLLAR SCREW M10X80 WS=13 10.9	4
24	58530090000	DOWEL BUSHING 9,8X7,2X10 NOTCH, MARKING	1
30	58536040000	EXHAUST FLANGE R/S RALLYE 2001	1
31	58536140000	EXHAUST FLANGE L/S RALLYE 2001	1
32	58036041000	EXHAUST FLANGE GASKET	2
36	58336020090	VACUUM CONNECTION M 6X1	1
42	58536044000	INTAKE BOOT RALLYE 2001	1
45	59030061000	CLAMP D=56MM B=9MM M4X25	2
49	0912060163	AH SCREW DIN0912-M 6X16	6
51	0912060203	AH SCREW DIN0912-M 6X20	6
52	0912060253	AH SCREW DIN0912-M 6X25	6
53	51005074000	RETAINING PLATE	4
54	0912070553	AH SCREW DIN0912-M 7X55 12.9	1
55	0912070603	AH SCREW DIN0912-M 7X60 12.9	1
56	0912060653	AH SCREW DIN0912-M 6X65	1
57	0912060703	AH SCREW DIN0912-M 6X70	1
60	0137060003	SPRING WASHER DIN0137-B 6	6

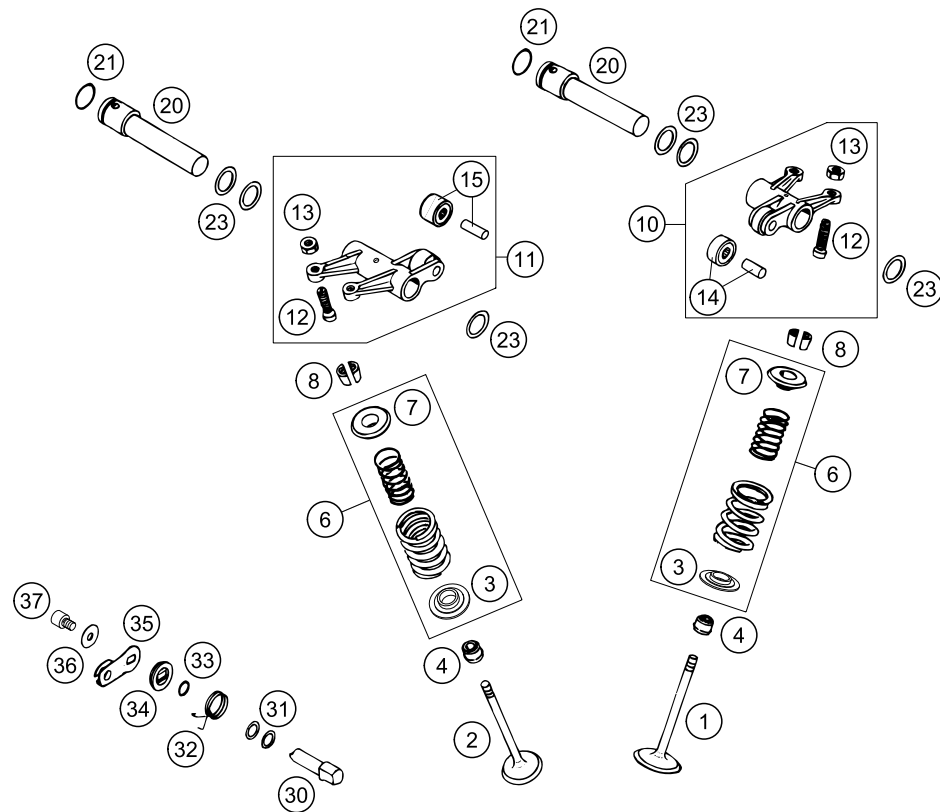
* NEW PART X ON DEMAND



POS	PARTNUMBER	PARTNAME	PIECE
61	5853901000	STICK COIL HOLDER 2001	1
62	5653510600	GASKET FOR CONNECTING ANGLE	1
63	5653500600	CONNECTING ANGLE	1
65	0015060163	HH COLLAR SCREW M 6X16 WS=8	2
66	58530005050	RETAINING PLATE	1

C05585362

* NEW PART X ON DEMAND



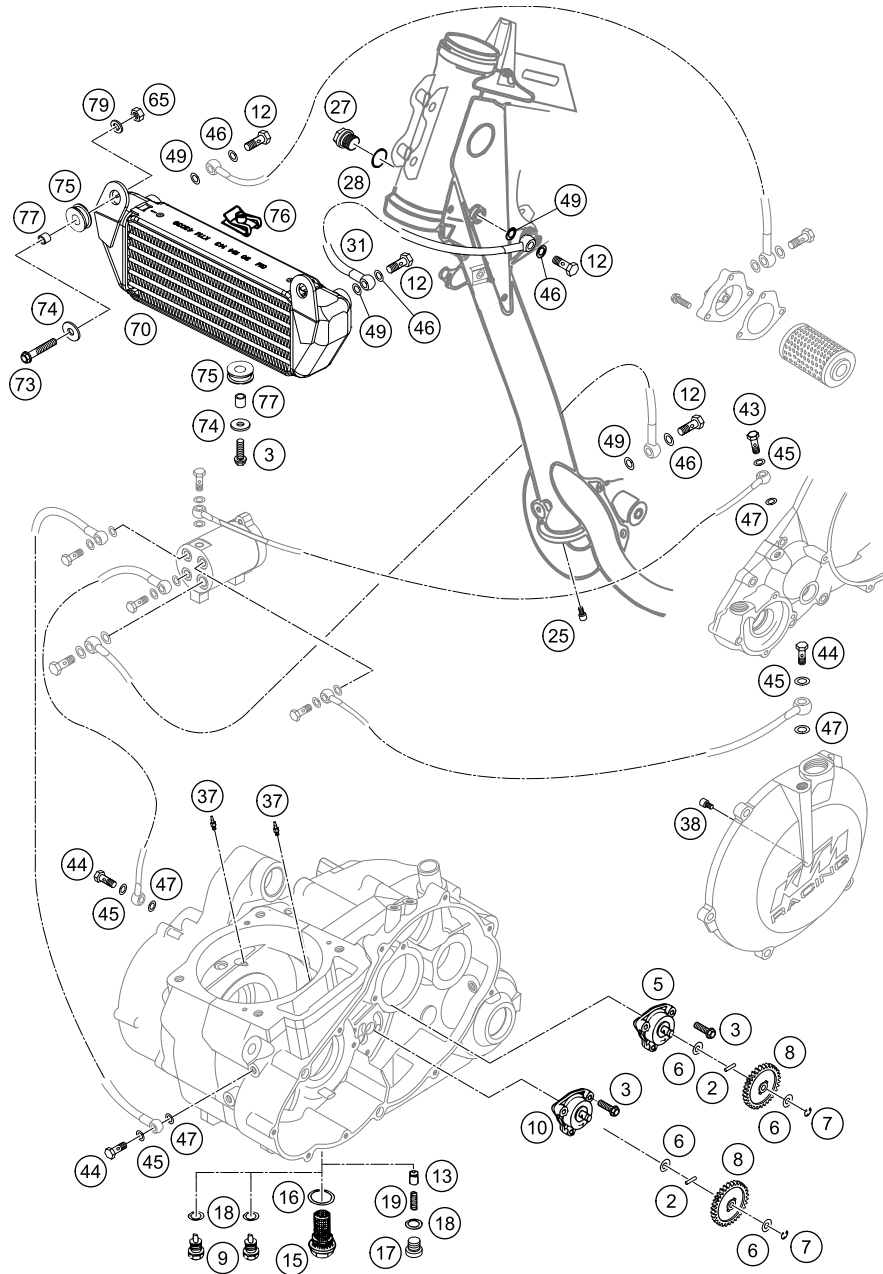
POS	PARTNUMBER	PARTNAME	PIECE
1	58036030000	INTAKE VALVE D=36 MM	2
2	58536031000	EXHAUST VALVE D=32 MM 2001	2
3	57336036000	VALVE SPRING HOLDER GRADED	4
4	58036028000	VALVE-STEAM SEALING	4
6	58536029044	VALVE SPRING KIT RALLYE 2001	4
7	58036032700	VALVE-SPRING RETAINER ALU '95	4
8	58036033000	VALVE COLLET MK7	8
10*	58536060144	ROCKER ARM INTAKE CPL. 2005	1
11*	58536061144	ROCKER ARM EXHAUST CPL. 2005	1
12	58036062600	ADJUSTMENT SCREW CPL. M 7X0,75	4
13	0934070756	HEXAGON NUT DIN0934-M 7X0,75	4
14	58036061090	ROCKER ARM ROLLER CPL. INTAKE	1
15	58336061090	ROCKER ARM ROLLER CPL. EXHAUST	1
20	58536056100	ROCKER ARM SHAFT L=96MM 7,2MM	2
21	58036095000	O-RING 15,08 X 2,62 NBR 70	2
23	0988162202	THRUST WASH. DIN0988-16X22X0,20	x
23	0988162205	THRUST WASH. DIN0988-16X22X0,5	x
23	0988162210	THRUST WASHER DIN0988-16X22X1	x
30	58036050100	DECOMPRESSION SHAFT	1
31	54334015000	WASHER 10X14X0,5 STEEL	x
31	54334015100	WASHER 10X14X0,3 STEEL	x
31	54334015200	WASHER 10X14X0,15 STEEL	x
32	58036059200	DECOMP.LEVER SPRING	1
33	0770100221	O-RING 10,00X2,20 SILICONE	1
34	58036048000	COVER DISK	1
35	58036049500	DECOMPRESSION LEVER	1
36	0021060003	WASHER DIN9021-A 6,4	1
37	0912060103	AH SCREW DIN0912-M 6X10	1

05584363

C05584363

* NEW PART

X ON DEMAND



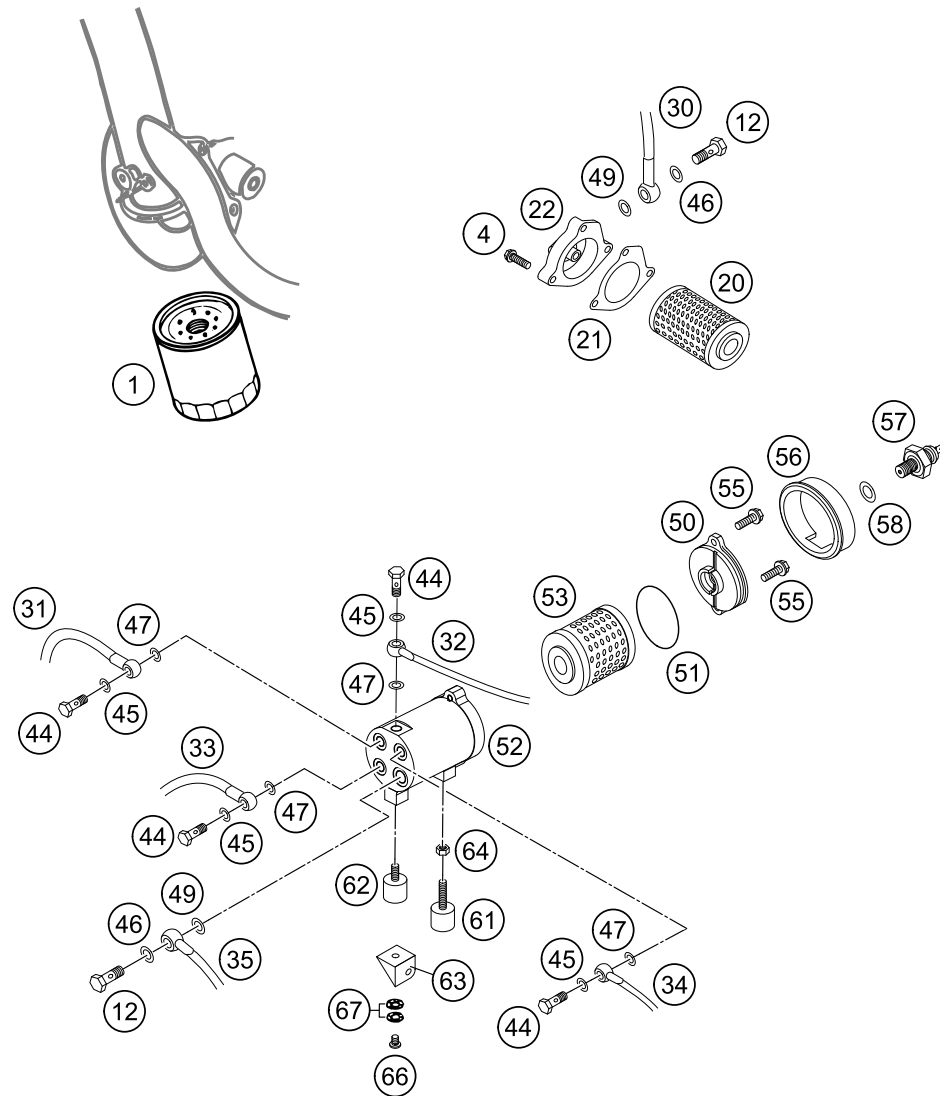
05585380

POS	PARTNUMBER	PARTNAME	PIECE
2	0402251980	NEEDLEROL.DIN5402 NRA 2,5X19,8	2
3	0015060203	HH COLLAR SCREW M 6X20 WS=8	7
5	58038007700	OIL PUMP MIKUNI G-73-10	1
6	58038007755	STOP DISK 8,1 X 15 X 0,5	4
7	0799060000	TAB WASHER DIN6799-RS 6,0	2
8	58438001000	OIL PUMP GEAR 26-T	2
9	58030021000	OILDRAIN PLUG W.MAG. M 12X1,5	2
10	58538007000	OIL PUMP MIKUNI G-185 660 99	1
12	54313025000	HOLLOW SCREW M10 X 1	4
13	58038028000	VALVE PISTON D=10MM	1
15	58038019100	OIL DRAIN PLUG M22X1,5	1
16	58038017100	CU-SEAL RING DIN7603-22X27X2	1
17	0908120153	PLUG DIN0908-M12X1,5	1
18	58038022000	CU-SEAL RING DIN7603-12X18X1,5	3
19	58538023000	OIL PRES.SPRING 5 BAR RED 2001	1
25	0984060103	AH SCREW DIN7984-M 6X10	1
27	0910160153	PLUG DIN0910-M16X1,5	1
28	0603162220	CU-SEAL RING 16X22X2	1
31	58538053044	OIL L. OIL COOLER-FRAME 295MM	1
37	60030064090	OIL JET 90 M6X0,75 WS8 03	2
38	56331145075	STARTING JET	1
43	59038029000	JET SCREW "100" M8X1 WS=12	1
44	58038030000	% BANJO BOLT M8 X 1 DIN7643	3
45	0603082131	COPPER GASK.DIN7603- 8,2X13X1	4
46	0603100141	COPPER GASKET DIN7603-10X14X1	4
47	0603821220	COPPER GASKET 8,2X12X2 MM 2001	4
49	0603101420	COPPER GASKET 10,2X14X2 MM 01	4
65	0985060003	SELF LOCK. NUT DIN0985-M 6	2
70	58538052000	OIL COOLER RALLYE 2001	1
73	0015060353	% HH COLLAR SCREW M 6X35 WS=8	2
74	0021060003	WASHER DIN9021-A 6,4	3
75	31008060000	RUBBER SLEEVE D=8MM OPEN	3
76	50235033300	% SNAP-NUT HOLDER M6 KP142	1
77	54431032050	SPACER BUSHING 6X8X8,5	3
79	0125060003	WASHER DIN0125-A 6,4	2

C04585380

* NEW PART

X ON DEMAND



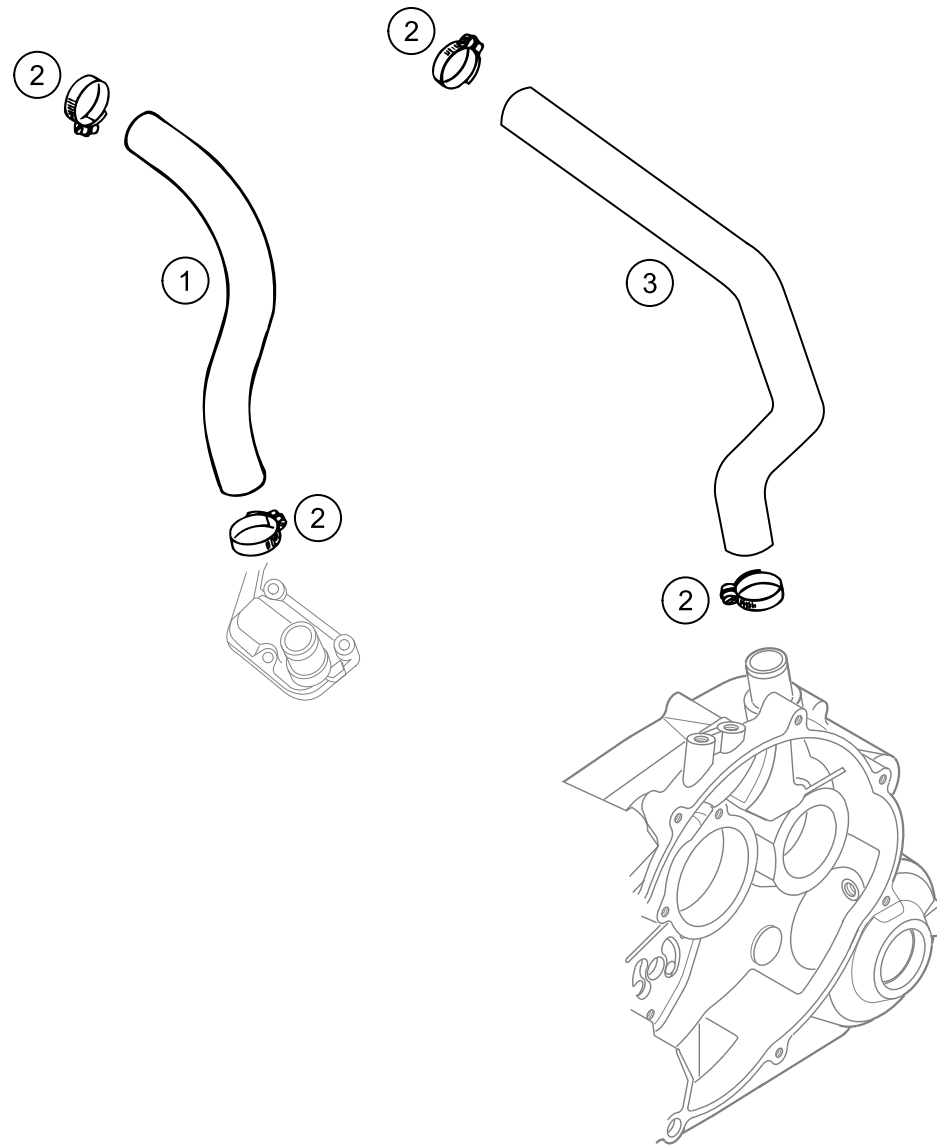
05585381

POS	PARTNUMBER	PARTNAME	PIECE
1	58338045000	% SCREW TYPE FILTER LC4'	1
4	0015060253	% HH COLLAR SCREW M 6X25 WS=8	3
12	54313025000	HOLLOW SCREW M10 X 1	2
20*	58038005100	OIL FILTER LONG	1
21	58530041000	OIL FILTER COVER GASKET 2001	1
22	58030008700	OIL FILTER COVER 2001	1
30	58538052044	OIL L.OIL FIL.-OIL COOL.1110MM	1
31	58538043044	OIL L. JUNC.B.-ENGI.CASE L 04	1
32	58538046044	OIL L. JUNC.B.-CRANK SH. 300MM	1
33	58538044044	OIL L. JUNC.B.-ENGI.CASE 260MM	1
34	58538045044	OIL L. JUNC.B.-CLUTCH C. 465MM	1
35	58538054044	OIL L. FRAME-JUNC.BOX 91MM 01	1
44	58038030000	% BANJO BOLT M8 X 1 DIN7643	4
45	0603082131	COPPER GASK.DIN7603- 8,2X13X1	4
46	0603100141	COPPER GASKET DIN7603-10X14X1	2
47	0603821220	COPPER GASKET 8,2X12X2 MM 2001	4
49	0603101420	COPPER GASKET 10,2X14X2 MM 01	2
50	58538041000	OIL FILT.COVER M10X1 RALLYE 01	1
51	0770400025	O-RING 40,00X2,50 NBR 70	1
52	58538043000	MICRO FILTER HOUSING RALLYE 01	1
53*	59038046100	% OIL FILTER SHORT	1
55	0015050123	HH COLLAR SCREW M 5X12 WS=8	2
56	58538043010	RUBBER RING 45/52/16	1
57	58338091100	OILPRESSURE SWITCH 03	1
58	0603100141	COPPER GASKET DIN7603-10X14X1	1
61	58538010000	RUBBER GROMMET 20X11/M6X18 01	1
62	43205062100	RUBBER GROMMET 20X15-M6X10 (1)	1
63	58538050000	BRACKET FOR MICRO FILTER 2001	1
64	0934060003	HEXAGON NUT DIN0934-M 6	1
66	0902060083	AH OVAL SCREW ISO 7380 M 6X8	1
67	50233041000	PAIR OF WASHERS M 6 NORDLOCK	1

C05585381

* NEW PART

X ON DEMAND



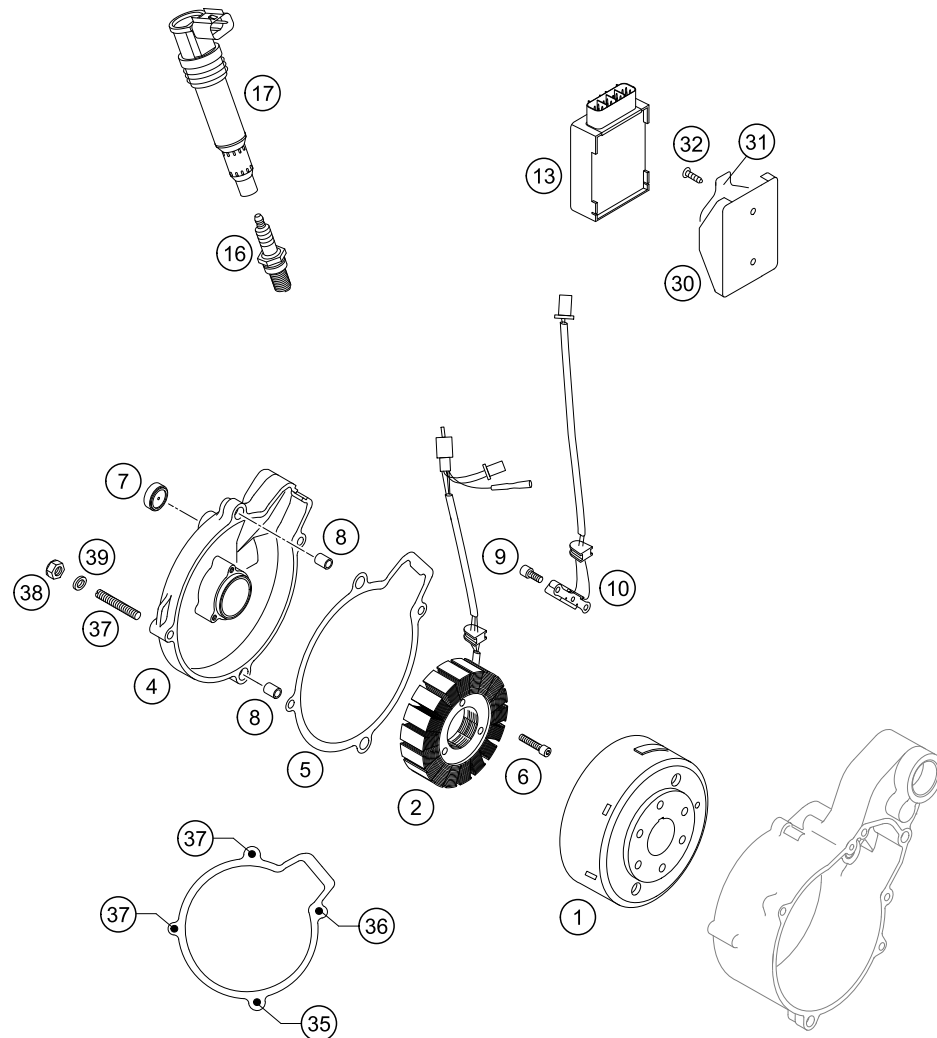
POS	PARTNUMBER	PARTNAME	PIECE
1	58430087000	ENGINE BREATHER TUBE TOP	1
2	42013037200	% HOSE CLAMP GEMI 12/22	4
3	57530090000	BREATHER TUBE ENGINE '93	1

02585388

C04585388

* NEW PART

X ON DEMAND



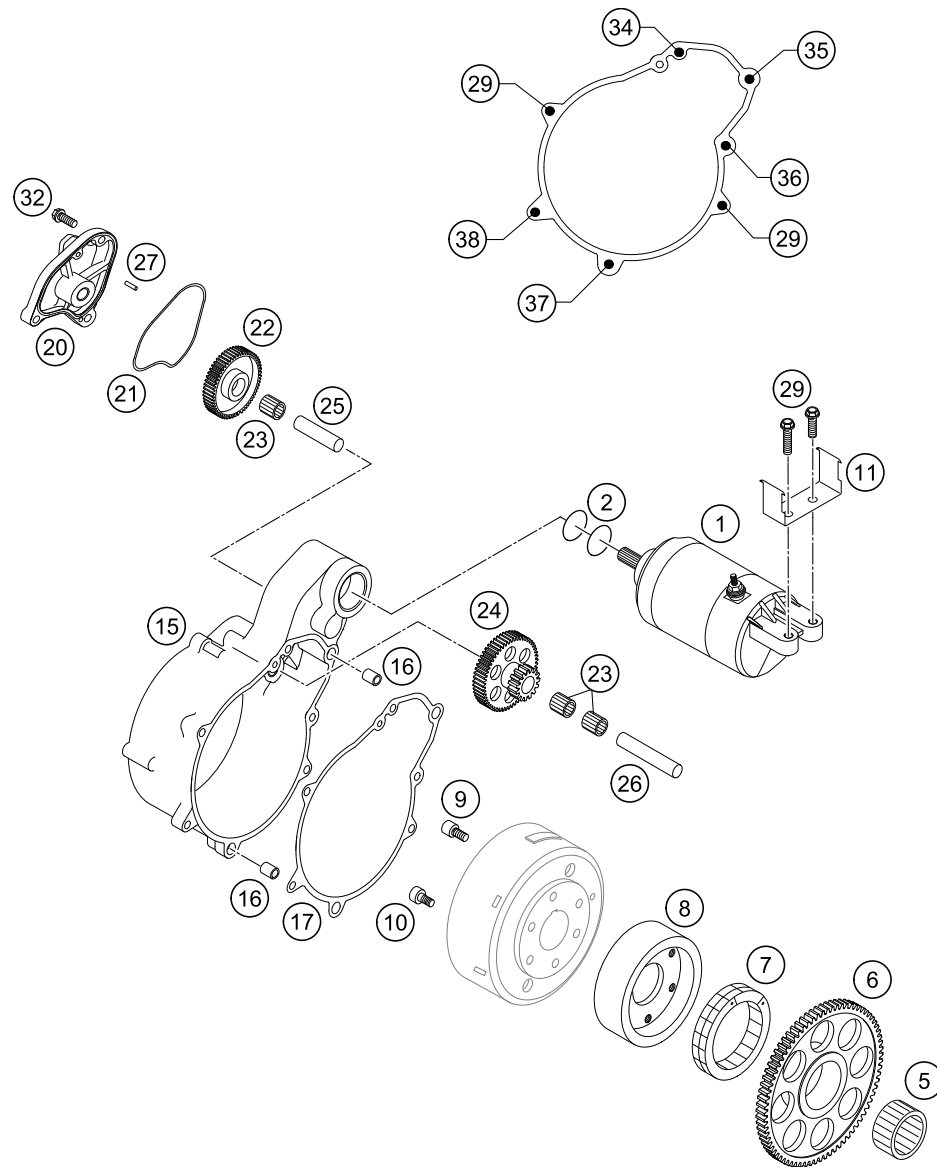
POS	PARTNUMBER	PARTNAME	PIECE
1	58439005100	FLYWHEEL KOKUSAN GP9128 '97	1
2	58439004000	STATOR KOKUSAN LOOSE '96	1
4	5843000214430	IGNITION COVER CPL. BLACK 04	1
5	58530040100	IGNITION COVER GASKET FORMED	1
6	0912050253	AH SCREW DIN0912-M 5X25	3
7	58430095100	INSPECT.GLASS GW 20-7 MINERAL	1
8	49030090000	DOWEL 9,8 X 7 X 10	2
9	0912050083	AH SCREW DIN 912 M 5X8	2
10	58439034000	PULSER COIL	1
13	58539031100	CDI-BOX RALLYE 03	1
16	58539093000	SPARK PLUG NGK DR9EA	1
17	58539006000	STICK COIL (IGN.C./SPA.P.C.)01	1
30	58439030200	RUBBER BRACKET FOR DIGI-BOX 03	1
31	58439030250	SUPPORT FOR RUBBER BRACKET 03	1
32	0991060103	FLAT HEAD SCREW DIN7991 M6X10	2
35	0015060303	HH COLLAR SCREW M 6X30 SW=8	1
36	0015060803	%HH COLLAR SCREW M 6X80 WS=8	1
37	0766060400	THREAD PIN WITH SLOT M6x40	2
38*	0934060003	HEXAGON NUT DIN0934-M 6	2
39*	58036065100	CU-SEAL RING 6 X 10 X 2	2

05585390

C05585390

* NEW PART

X ON DEMAND



POS	PARTNUMBER	PARTNAME	PIECE
1	58440001000	E-STARTER ENGINE CPL. LC4-E	1
2	0770250030	O-RING 25,00X3,00 NBR 70	2
5	58440090100	NEEDLE BEARING K30 X 37 X 18 A	1
6	58440020079	FREE-WHEEL-GEAR 79-T	1
7	58440026000	FREE-WHEEL FWD 332008 BLS	1
8	58440025000	FREEWHEEL HUB	1
9	0912060121	AH SCREW DIN0912-M 6X12 12.9	4
10	58440098000	AH CENTERING SCREW M6X12,5	2
11	58511058050	BRACKET FOR STARTRELAIS '99	1
15	58440010100	STARTER FLANGE BLACK '97	1
16	49030090000	DOWEL 9,8 X 7 X 10	2
17	58540042000	STARTER FLAN.GASKET 0,5MM 2001	1
20	58440011100	STARTER COVER BLACK '97	1
21	58440011050	FORM RING F.STARTERCOVER NBR70	1
22	58440022000	INTERMEDIATE GEAR 52-T	1
23	58440090000	NEEDLE BEARING K10 X 13 X 13TN	3
24	58440021018	REDUCTION GEAR 55-T/18-Z	1
25	58440028000	BEARING BOLT 10 X 38,4	1
26	58440029000	BEARING BOLT 10 X 54	1
27	0402040780	NEEDLEROLL. DIN5402 NRB 4X 7,8	2
29	0015060253	% HH COLLAR SCREW M 6X25 WS=8	4
32	0015060163	HH COLLAR SCREW M 6X16 WS=8	1
34	0015060453	% HH COLLAR SCREW M 6X45 WS=8	1
35	0015060503	% HH COLLAR SCREW M 6X50 WS=8	1
36	0015060803	%HH COLLAR SCREW M 6X80 WS=8	1
37	0015060303	HH COLLAR SCREW M 6X30 SW=8	1
38	0015060953	HH COLLAR SCREW M 6X95 WS=8	1

05585400

C05585400

* NEW PART

X ON DEMAND

A large, empty rectangular box with a thin black border, occupying the majority of the page. It is intended for handwritten notes.

A large, empty rectangular box with a thin black border, occupying the majority of the page. It is intended for handwritten notes.

WWW.KTM.COM

KTM

KTM Sportmotorcycle GmbH
5230 Mattighofen, Austria
www.ktm.com



KTM_POWERPARTS

KTM_POWERWEAR

KTM_ORIGINAL SPARE PARTS



3CM088240EN

Art. Nr.: 3CM088240EN 10. Nov 2015