

	<p>wiring diagram</p>	<p>950-Adventure 05</p>	<p>1/9</p>
---	-----------------------	-------------------------	------------

<p>front rear carb heater</p>	<p>600 11 075 000 600 11 076 000 600 31 005 000</p>
---------------------------------------	---

<p>oil pressure switch oil pressure sensor 600 11 092 000</p>
---

Additional instruments (roadbook;...)	Externe Instrumente
Battery	Batterie
Clutch switch	Kupplungsschalter
Cooling fan	Lüftermotor
Diode	Diode
Flasher relay	Blinkerrelais
Flasher switch	Blinkerschalter
Front brake switch	vorderer Bremslichtschalter
Fuel level sensor	Benzinstandgeber
Fuel pump	Kraftstoffpumpe
Fuel pump relay	Kraftstoffpumpenrelais
Fuse box	Sicherungskasten
Gear sensor	Gangerkennung
Generator	Generator
Handle bar switch for multi-func.-digital-speedometer	Lenkerschalter für Multifunkt.Digitaltacho
Headlight	Scheinwerfer
High / low beam switch	Auf-Abblendschalter
Horn	Hupe
Horn switch	Hornscharter
Ignition coil	Zündspule
Ignition switch	Zündschloss
Left front flasher	linker vorderer Blinker
Left rear flasher	linker hinterer Blinker
Licence plate lamp	Kennzeichenbeleuchtung
Light switch	Lichtschalter
Multi-func.-digital-speedometer	Multifunktionsdigitaltacho
Neutral switch	Leerlaufschalter
Octane selector	Oktanangepassung
Oil pressure sensor	Öldruckschalter
Pick up	Impulsgeber
Rear brake switch	hinterer Bremslichtschalter
Rear light / brakelight	hinteres Begrenzungslicht / Bremslicht
Regulator-rectifier	Regelgleichrichter
Right front flasher	rechter vorderer Blinker
Right rear flasher	Rechter hinterer Blinker
Sidestand switch	Seitenständerschalter
Speed sensor	Geschwindigkeitssensor
Start auxillary relay	Starterhilfsrelais
Start relay	Startrelais
Start/stop switch	Start / stop schalter
Starter motor	Startermotor
Tachometer	Drehzahlmesser
Temperature sensor	Temperatursensor
Temperature switch	Temperaturschalter
Throttle position sensor (TPS)	Vergaserpotentiometer
Carb heater (Carburator heater element)	Vergaserheizelement

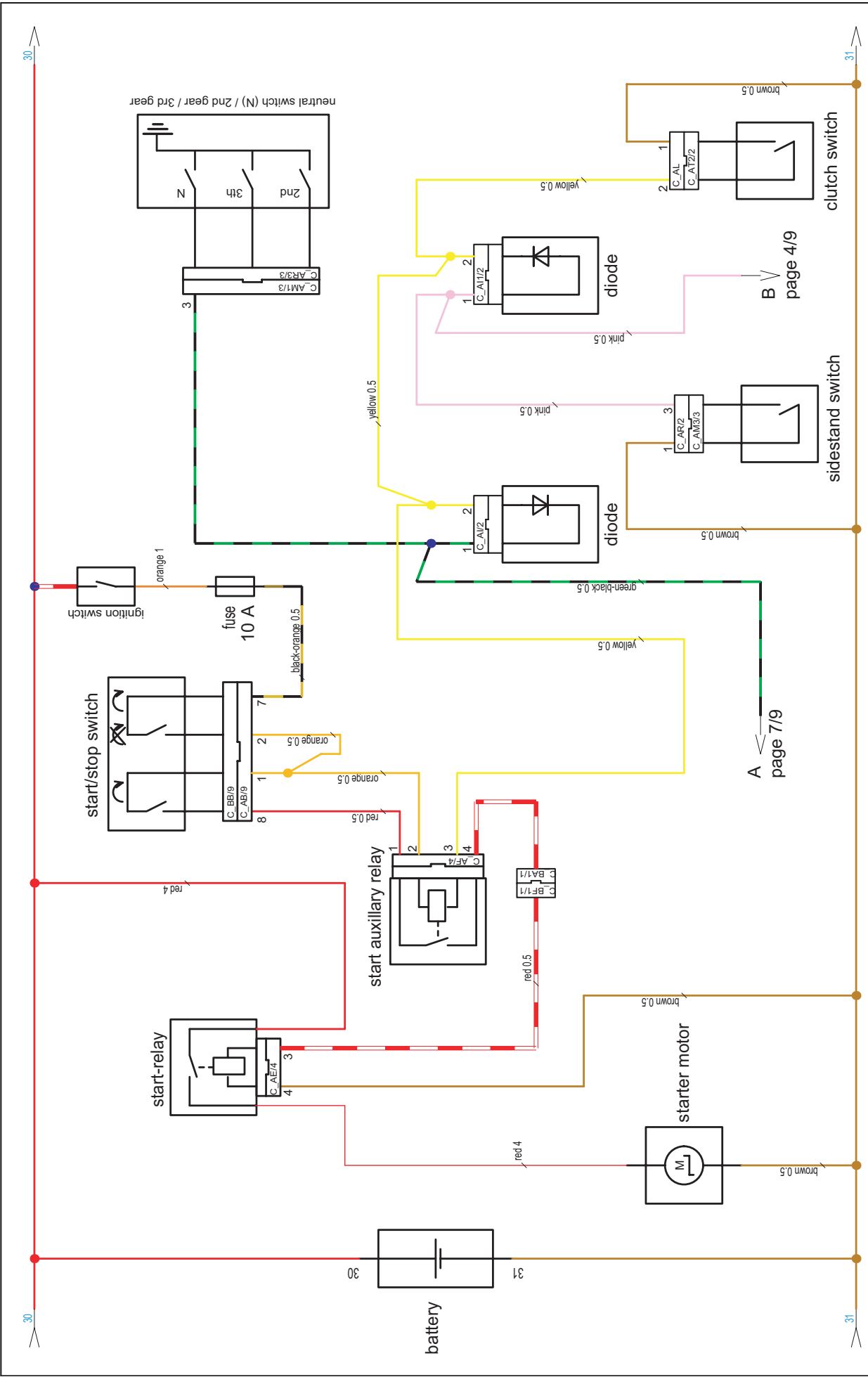
HINWEIS zu den Steckerbezeichnungen:

Die Steckerbezeichnungen setzen sich aus einer Kombination von Buchstaben und Ziffern zusammen - z.B.: **C\_AA1/20**

1. Stelle **C** bedeutet Connector (Stecker).
2. und 3. Stelle **AA** bezeichnet den Steckertyp.
4. Stelle nummeriert gleiche Steckertypen, wenn der Stecker mehrfach verwendet wird.
5. und 6. Stelle **20** gibt die Anzahl der Pins des Steckers an, in diesem Fall 20 polig.  
Bei Steckern mit weniger als 10 Pins wird die 5. Stelle nicht benötigt.

### Kabelfarben


**bl:** schwarz  
**ye:** gelb  
**bu:** blau  
**gn:** grün  
**re:** rot  
**wh:** weiß  
**br:** braun  
**or:** orange  
**pi:** rosa  
**gr:** grau  
**pu:** violett



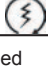
A page 7/9

B page 4/9

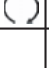
ignition switch

	r-w	r-w	r-w	o	y-r	r
ON 	●	●	●	●	●	●
OFF						
LOCKED						

start switch

cable harness	or	bl-or
cable switch	bl-bu	bl
START 	●	●
unpushed		

kill switch

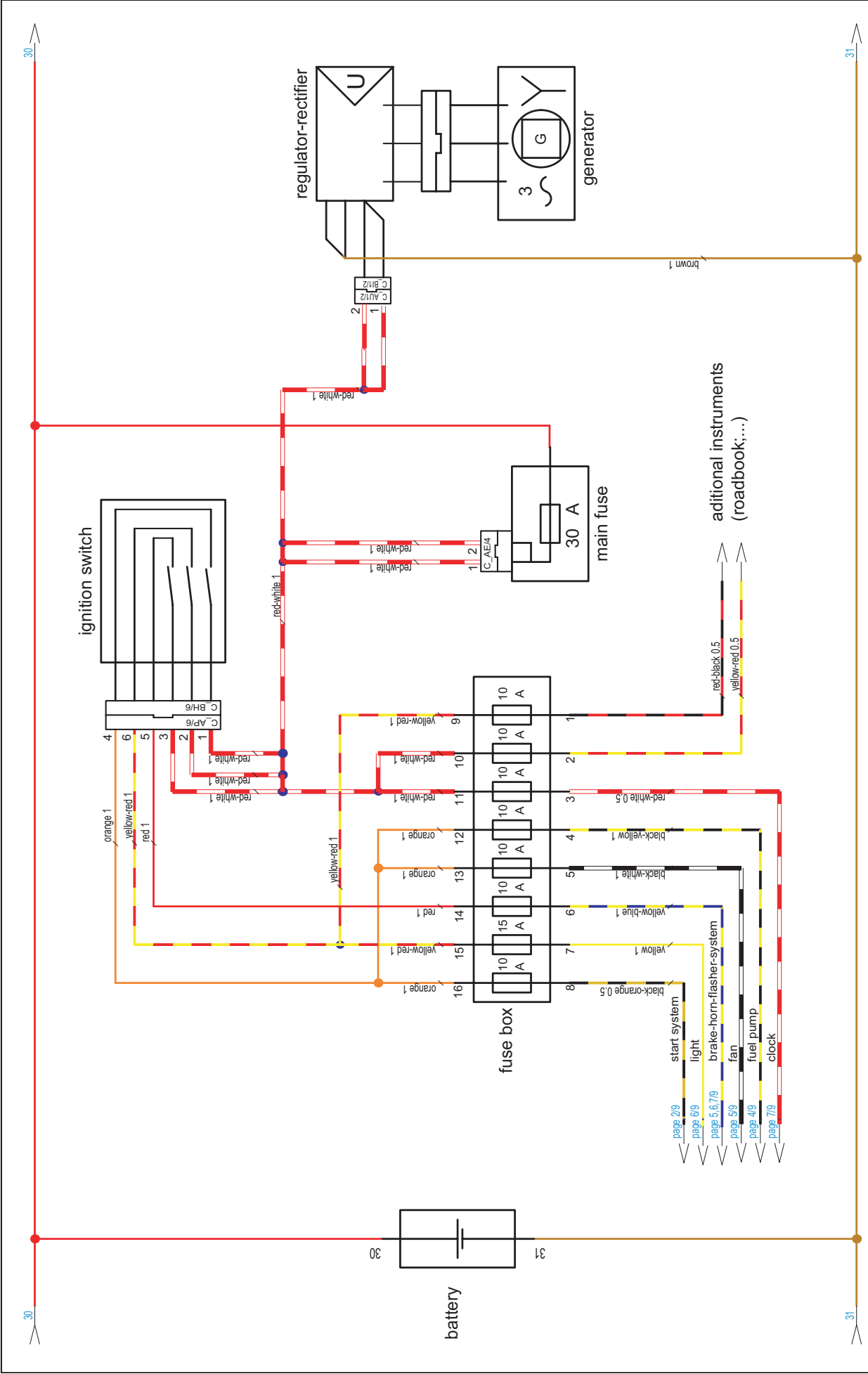
cable harness	re	or
cable switch	or	bl-wh
RUN 	●	●
STOP		

sidestand switch

cable harness	br	pi	
cable switch	gn	bl	br
folded up	●	●	
folded down			

clutch switch

switch position	ye	br
pulled	●	●
unpulled		




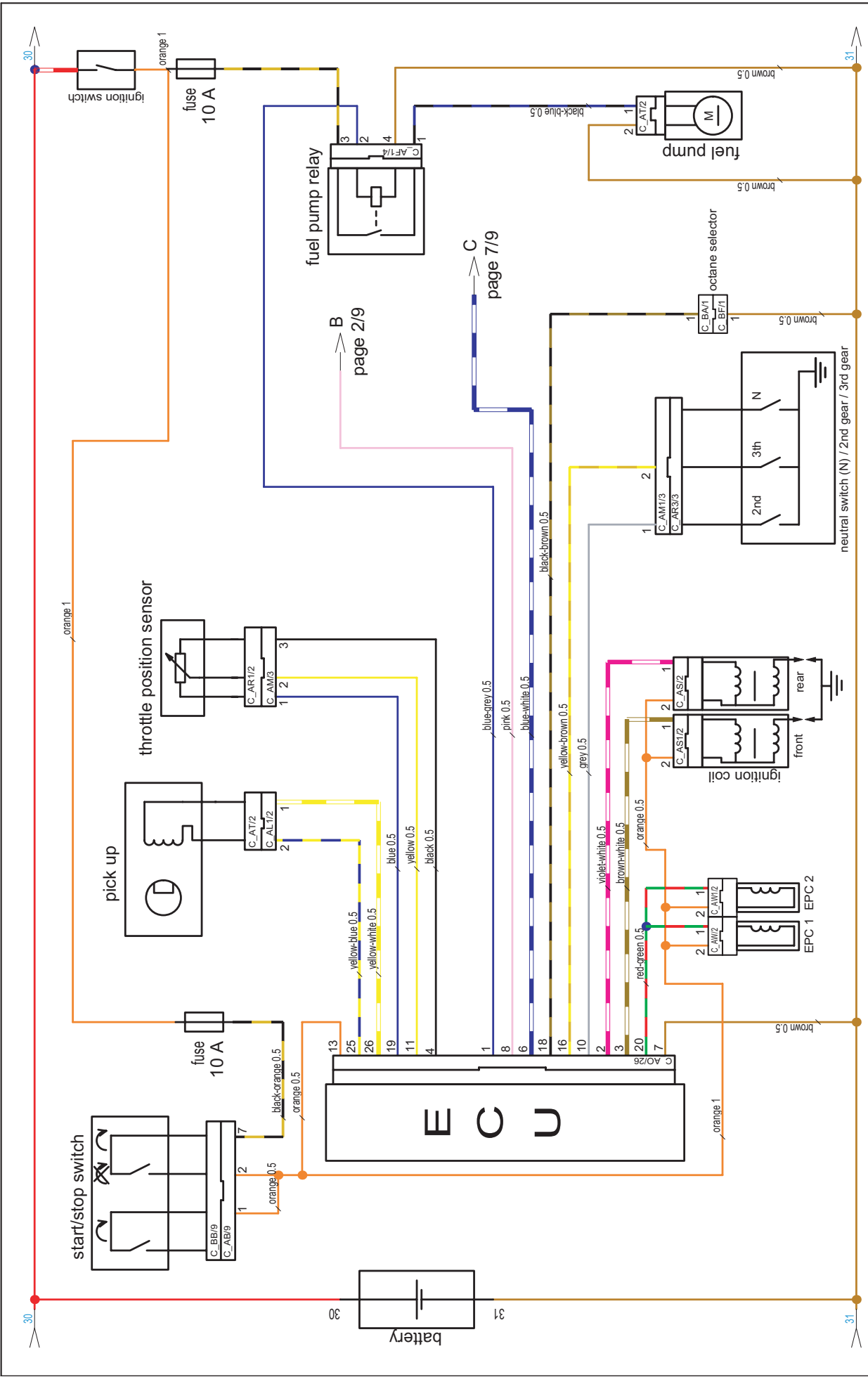
# 950-Adventure

## charging circuit

- page 2/9 start system
- page 6/9 light
- page 5,6,7/9 brake-horn-flasher-system
- page 5/9 fan
- page 4/9 fuel pump
- page 7/9 clock

ignition switch

	r-w	r-w	r-w	o	y-r	r
ON 	●	●	●	●	●	●
OFF						
LOCKED						




ECU


950-Adventure



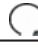
ignition switch

	r-w	r-w	r-w	o	y-r	r
ON 	●	●	●	●	●	●
OFF						
LOCKED						

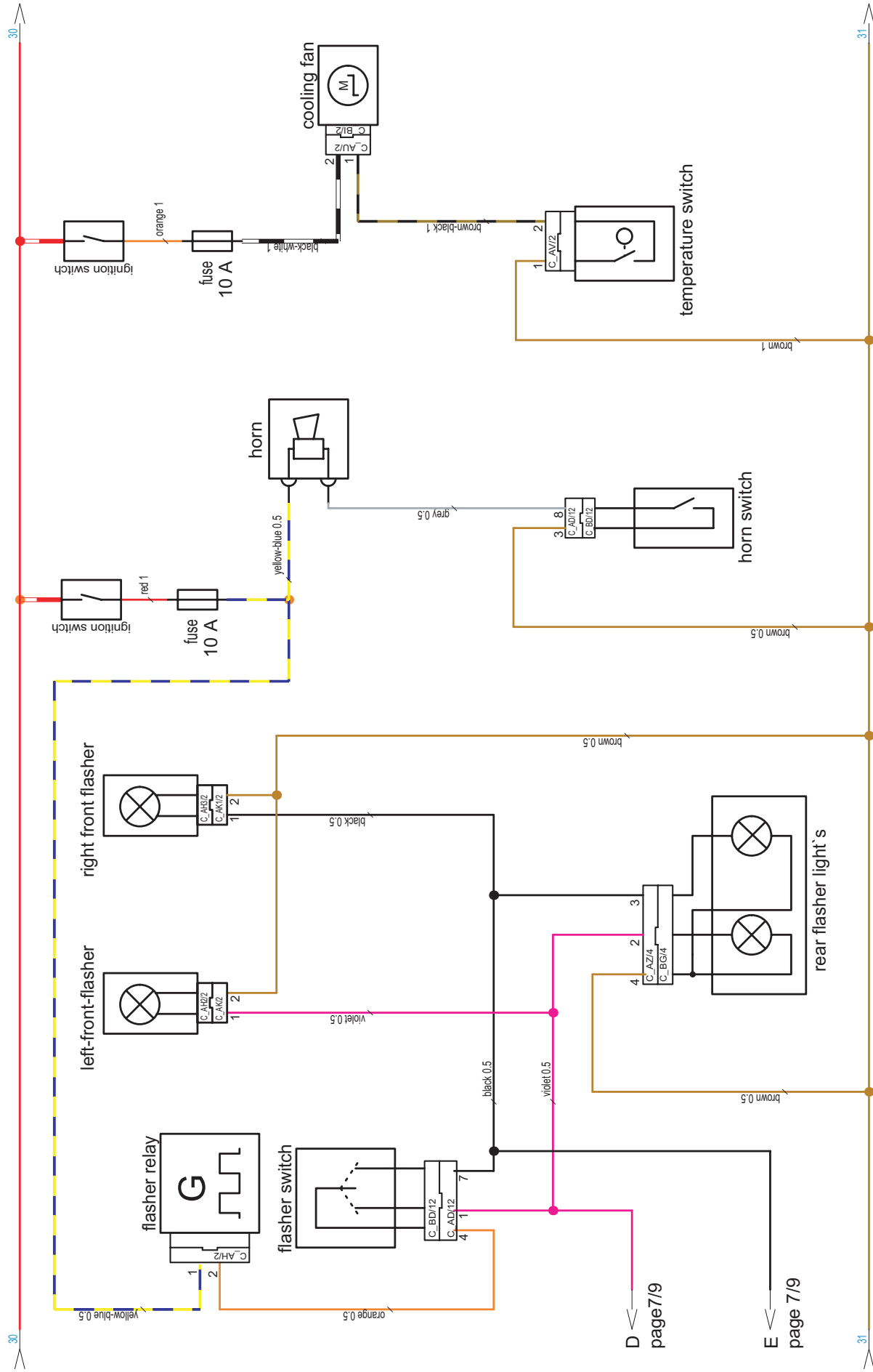
start switch

cable harness	or	bl-or
cable switch	bl-bu	bl
START 	●	●
unpushed		

kill switch

cable harness	re	or
cable switch	or	bl-wh
RUN 	●	●
STOP		





turn indicator system

950-Adventure




D page 7/9

E page 7/9



30

31


ignition switch

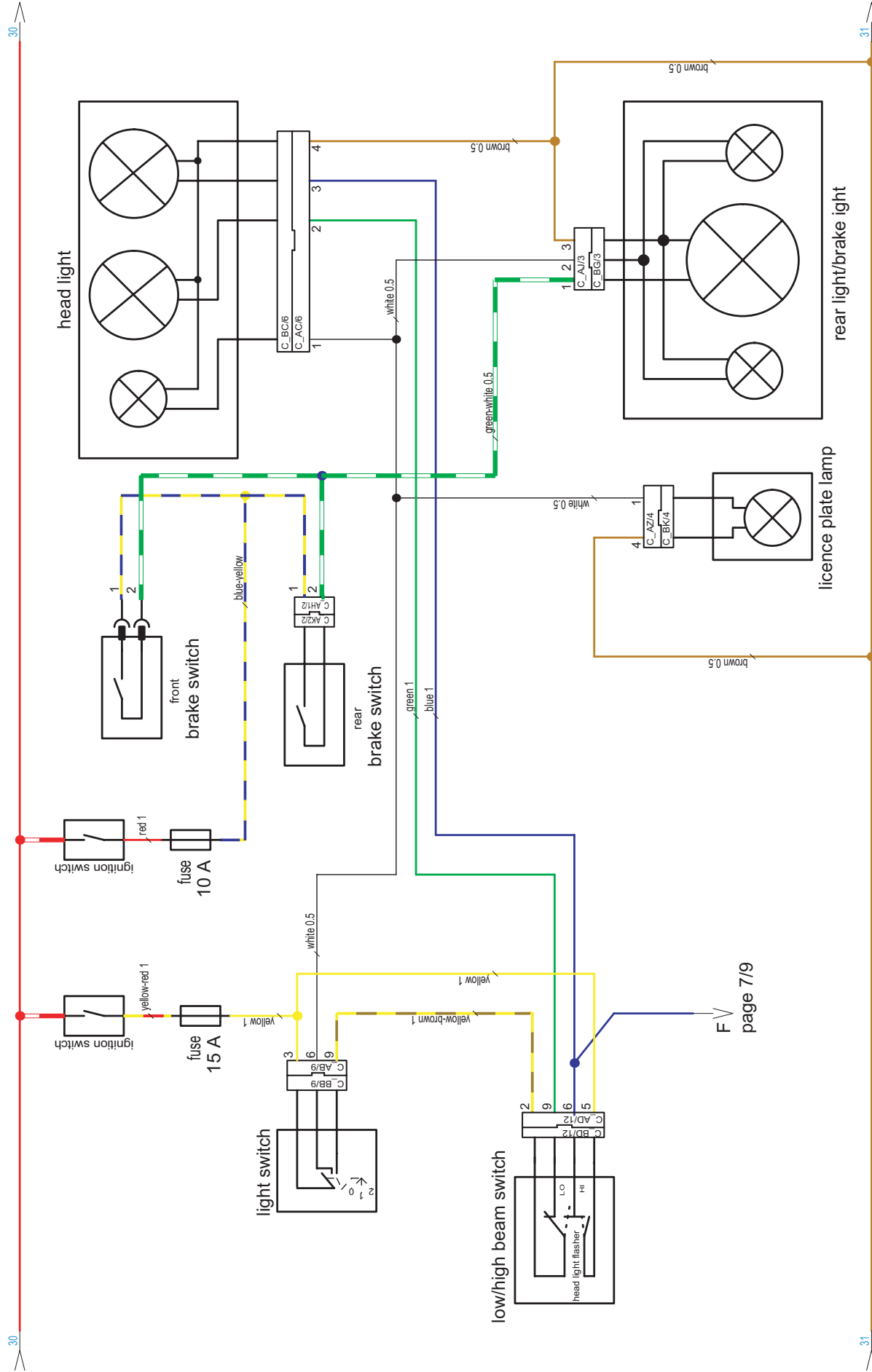
	r-w	r-w	r-w	o	y-f	r
ON 	●	●	●	●	●	●
OFF						
LOCKED						

flasher switch

cable harness	or	pu	bl	gr	br
cable switch	gn-br	bu-re	bu-bl	pi	br-pi
TURN L 	●	●			
TURN R 	●	●	●		
OFF					

horn switch

cable harness	gr	br
cable switch	pi	br-pi
HORN 	●	●
OFF		




F V page 7/9





# 950-Adventure

## light-brake system



ignition switch

	r-w	r-w	r-w	o	y-r	r
ON 	●	●	●	●	●	●
OFF						
LOCKED						

light switch

cable harness	ye-br	wh	ye
cable switch	ye-wh	wh	re-ye
LIGHT OFF			
P. LIGHT 		●	●
LIGHT 	●	●	●


high/low beam switch

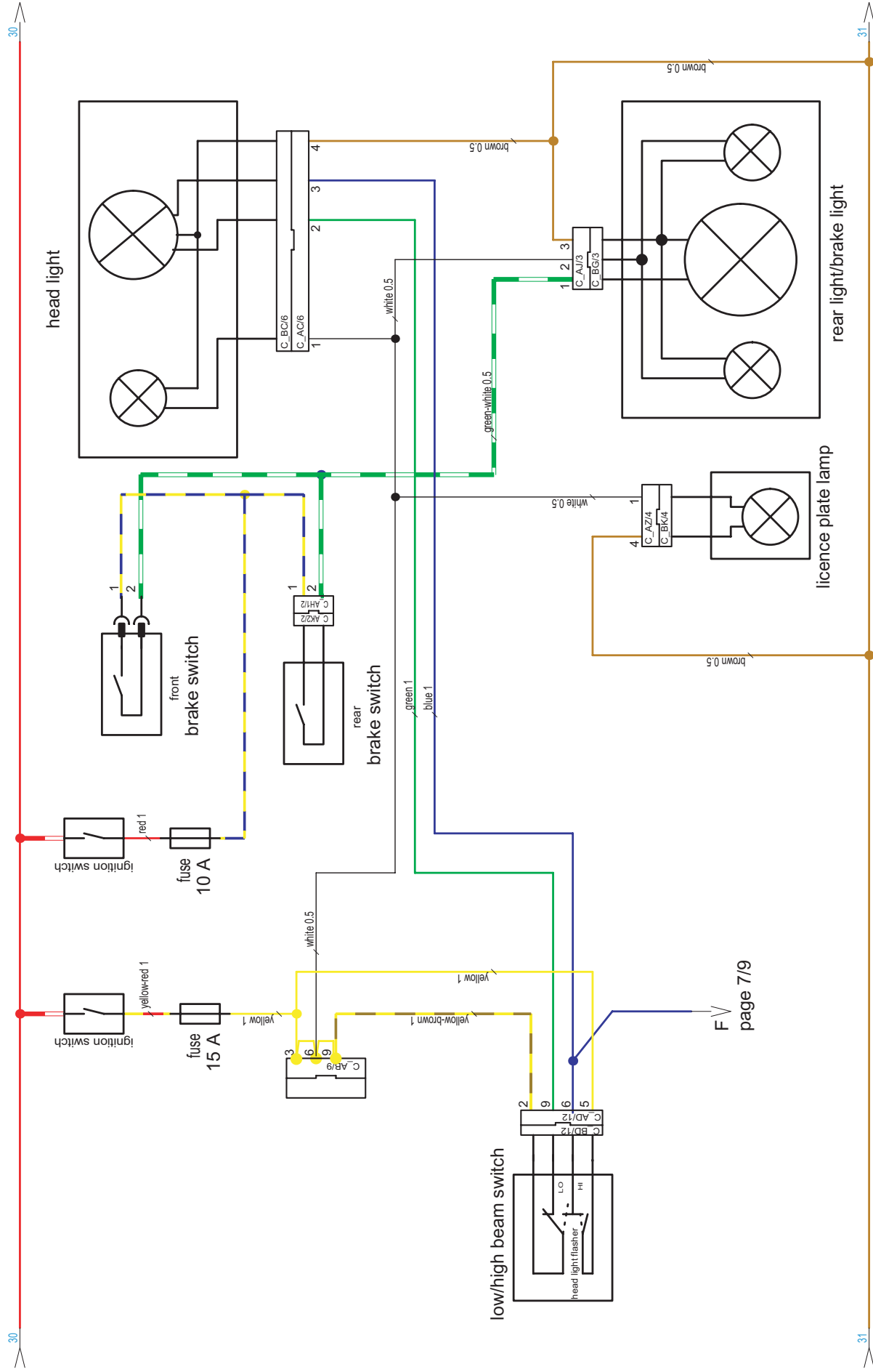
cable harness	bu	gn	ye-br
cable switch	wh	ye	gn-re
LO 		●	●
HI 	●	●	●

brake switch

cable harness	gn-wh	ye-bu
cable switch	bl	bl
pushed	●	●
unpushed		

passing light

cable harness	ye	bu
cable switch	gn-bl	wh
P. HORN 	●	●
OFF		



F V page 7/9



950 Adventure


light system USA

6A/9



30

31



ignition switch

	r-w	r-w	r-w	o	y-r	r
ON 	●	●	●	●	●	●
OFF						
LOCKED						

light switch

cable harness	ye-br	wh	ye
cable switch	ye-wh	wh	re-ye
LIGHT OFF			
P. LIGHT 		●	●
LIGHT 	●	●	●


high/low beam switch

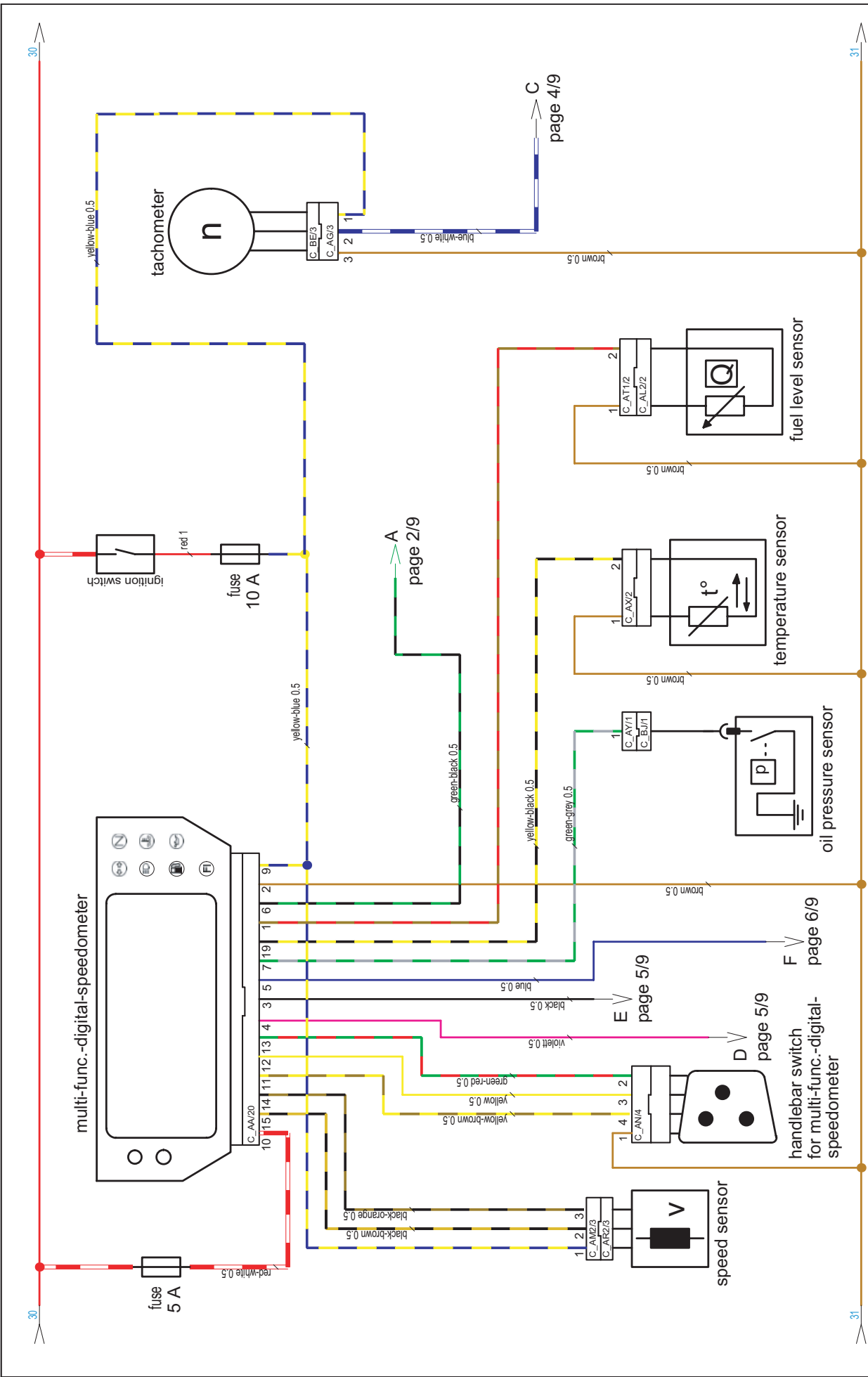
cable harness	bu	gn	ye-br
cable switch	wh	ye	gn-re
LO 		●	●
HI 	●	●	●

brake switch

cable harness	gn-wh	ye-bu
cable switch	bl	bl
pushed	●	●
unpushed		

passing light

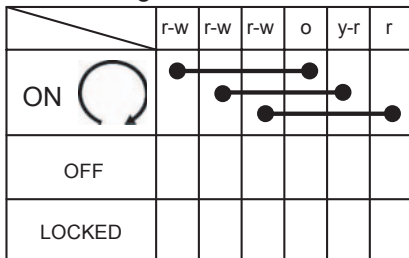
cable harness	ye	bu
cable switch	gn-bl	wh
P. HORN 	●	●
OFF		



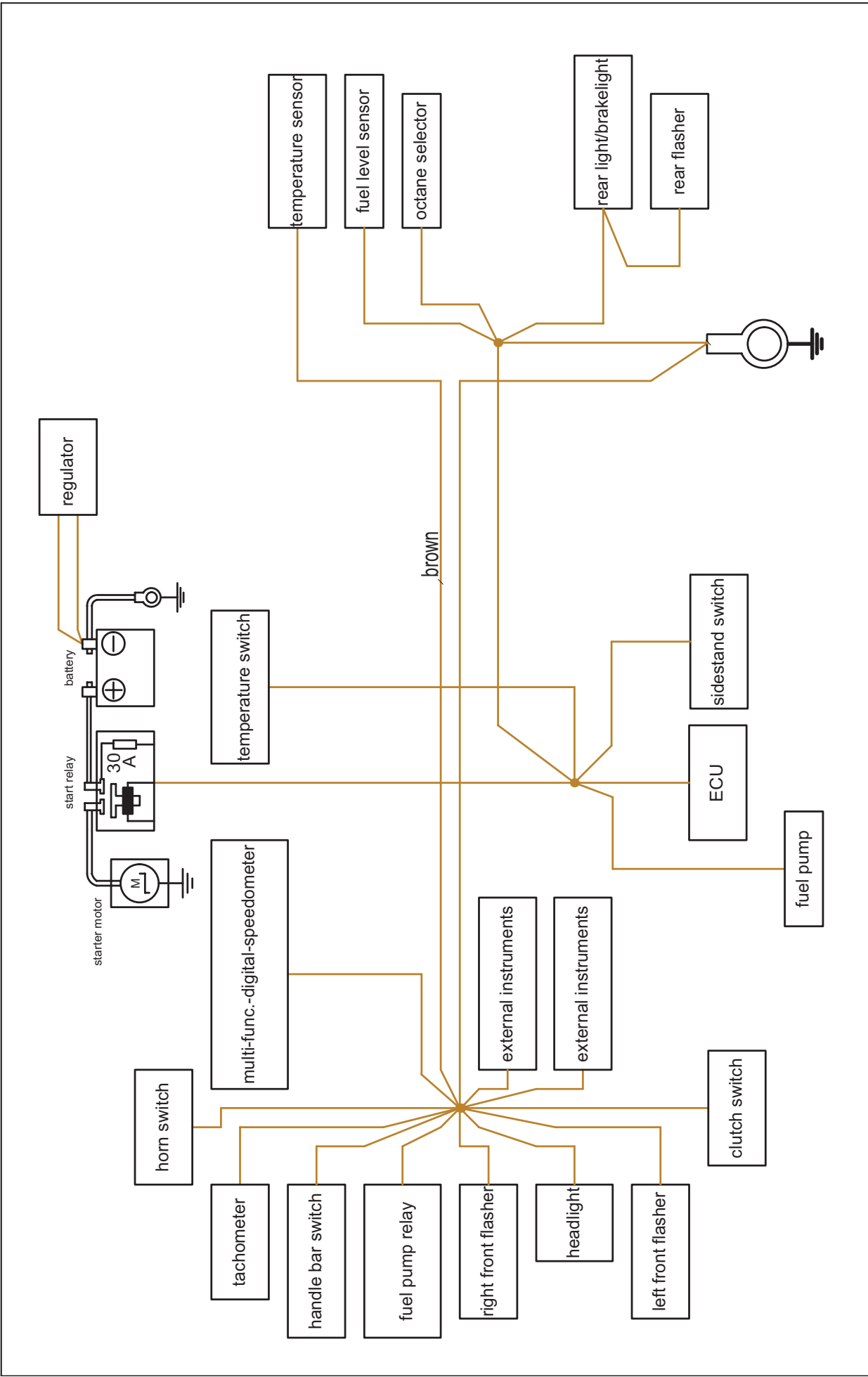
# 950-Adventure

## instruments\_tachometer

ignition switch

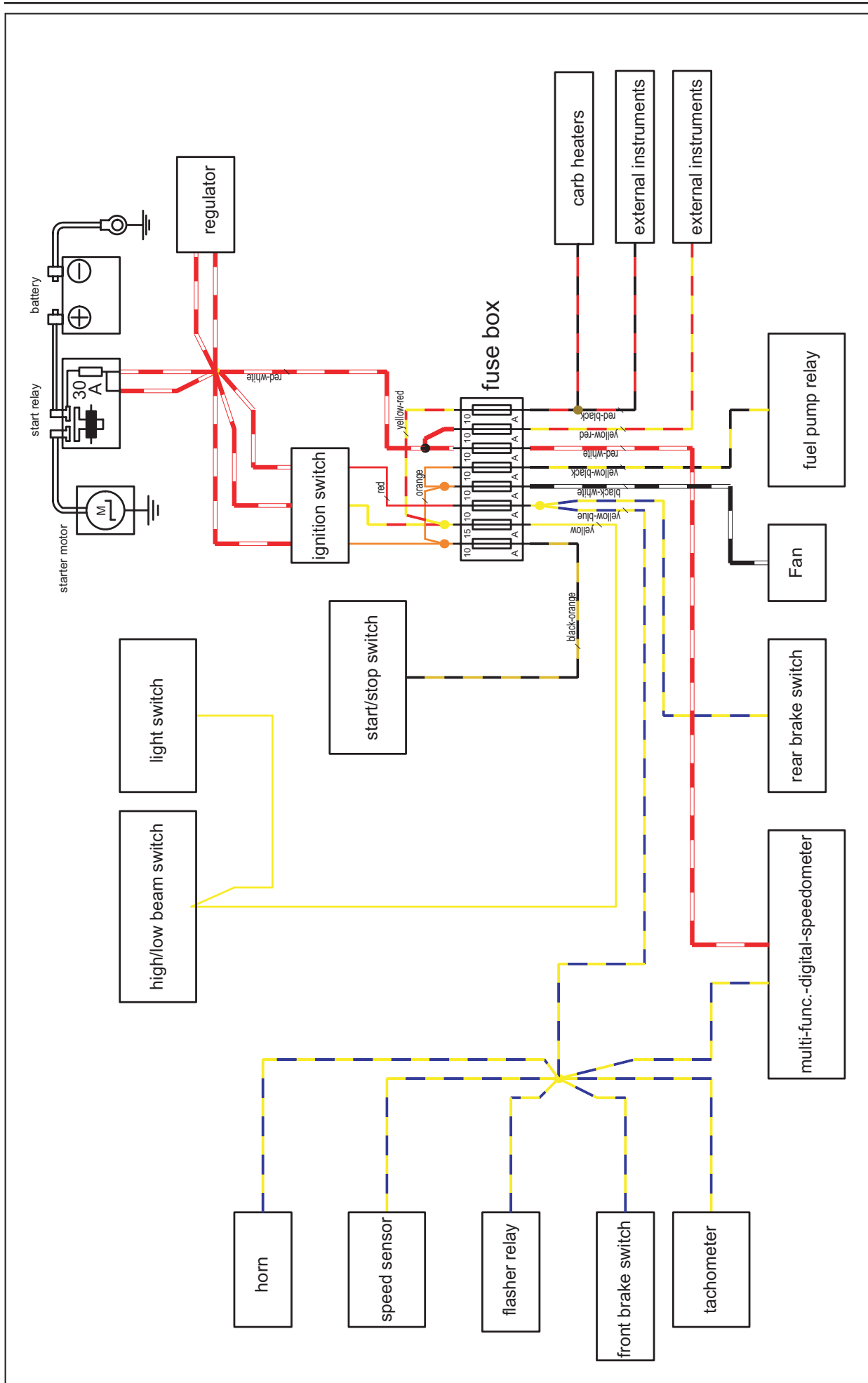






# 950 Adventure

## ground connection



**950 Adventure**

positive connection