

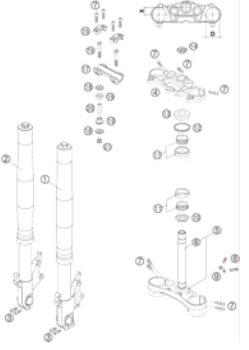
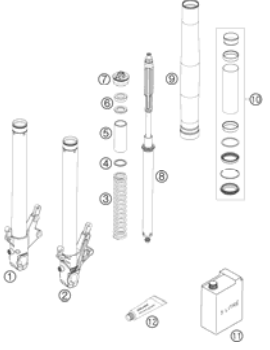


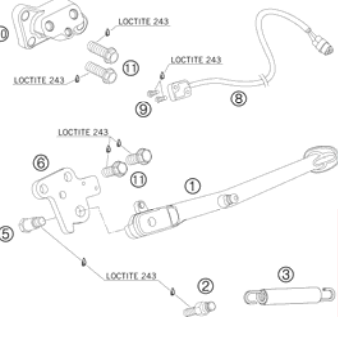
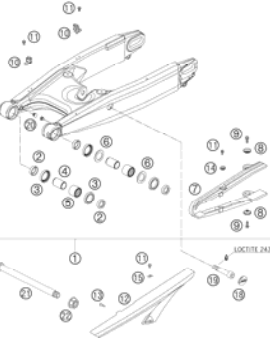
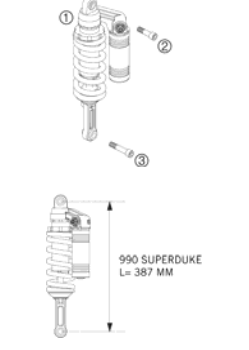
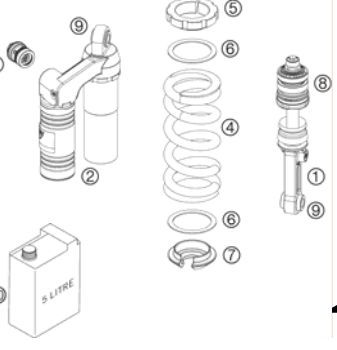


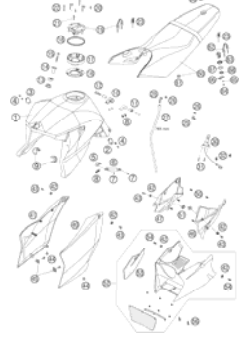

990 SUPERDUKE ORANGE EU 2006

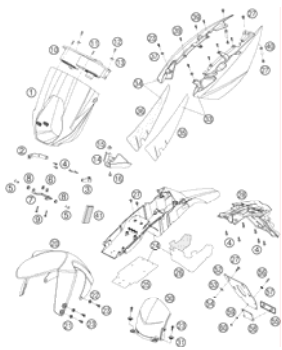
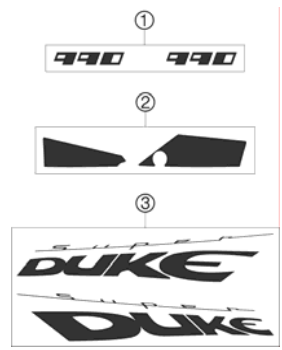
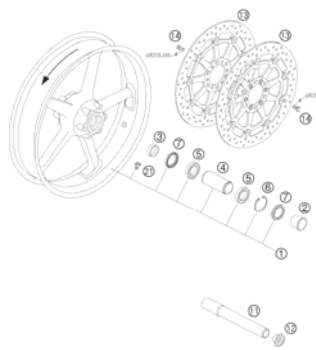
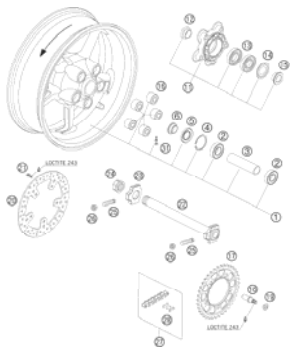
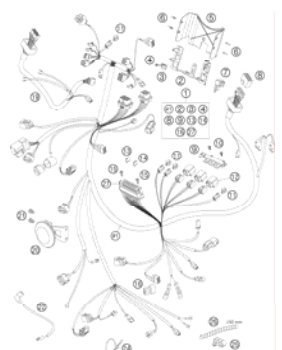
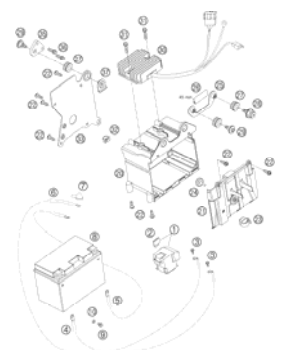

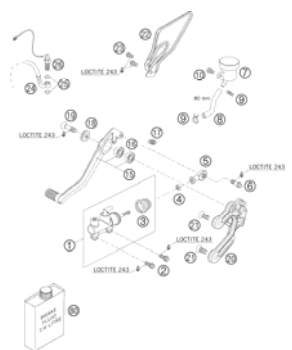
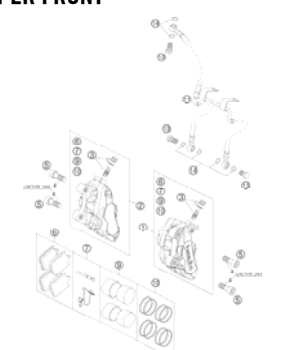
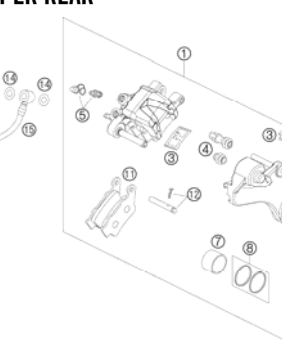
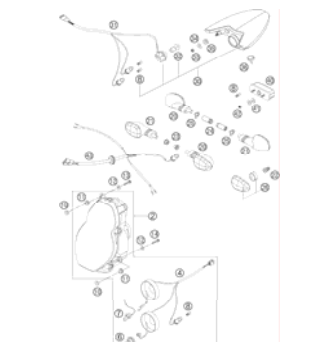
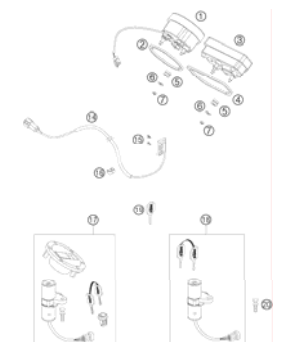
SPARE PARTS MANUAL: CHASSIS

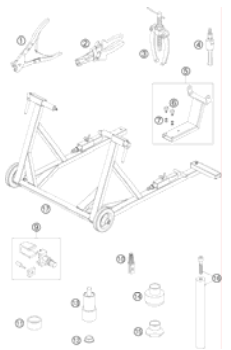
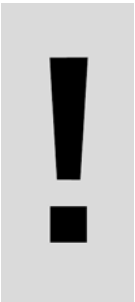
ART.NO.: 3CF9803F4EN

ENGLISH



<p>TELESCOPIC FORK</p>  <p>4</p>	<p>FORK LEGS</p>  <p>5</p>	<p>HANDLEBAR, CONTROLS</p>  <p>6</p>	<p>FRAME, SUB FRAME</p>  <p>7</p>
<p>SIDE STAND</p>  <p>8</p>	<p>SWING ARM</p>  <p>9</p>	<p>SHOCK ABSORBER</p>  <p>10</p>	<p>SHOCK ABSORBER DISASSEMBLED</p>  <p>11</p>
<p>MANIFOLD, SILENCER</p>  <p>12</p>	<p>AIR FILTER BOX</p>  <p>13</p>	<p>TANK, SEAT, COVER</p>  <p>14</p>	<p>FUEL PUMP</p>  <p>16</p>

<p>MASK, FENDERS</p>  <p>17</p>	<p>DECAL</p>  <p>19</p>	<p>FRONT WHEEL</p>  <p>20</p>	<p>REAR WHEEL</p>  <p>21</p>
<p>WIRING HARNESS</p>  <p>22</p>	<p>BATTERY BOX</p>  <p>23</p>	<p>HAND BRAKE CYLINDER</p>  <p>24</p>	<p>REAR BRAKE CONTROL</p>  <p>25</p>
<p>BRAKE CALIPER FRONT</p>  <p>26</p>	<p>BRAKE CALIPER REAR</p>  <p>27</p>	<p>LIGHTING SYSTEM</p>  <p>28</p>	<p>INSTRUMENTS, LOCK SYSTEM</p>  <p>29</p>

<p>SPECIAL TOOLS</p>  <p>30</p>			
	 <p>All information contained is without obligation. KTM-Sportmotorcycle AG particularly reserves the right to modify any equipment, technical specifications, prices, colors, shapes, materials, services, service work, constructions, equipment and the like so as to adapt them to local conditions or to cancel any of the above items, all without previous announcement and without giving reasons. KTM may stop manufacturing certain models without previous notice. KTM shall not be held liable for any deviations of availability and/or ability to deliver, illustrations, descriptions, printing and/or other errors. The illustrated models partly contain extra equipment, which is not applied to standard models. © 2004 by KTM-SPORTMOTORCYCLE AG, Mattighofen AUSTRIA; All rights reserved; Reprint, also in extracts, with written allowance of KTM-SPORTMOTORCYCLE AG, Mattighofen only.</p>		

TELESCOPIC FORK

990 SUPERDUKE ORANGE EU 2006

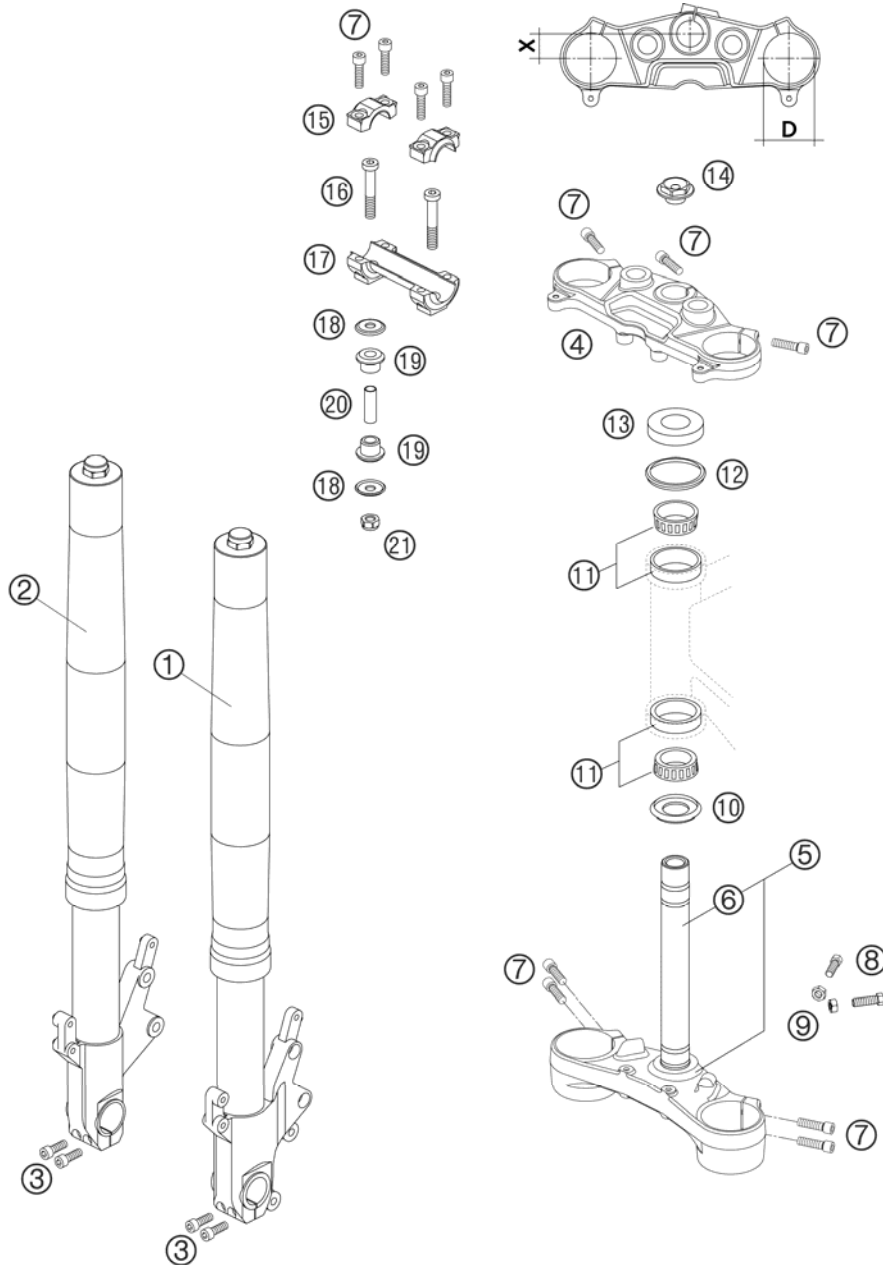


FIG	PART NUMBER	DESCRIPTION	QTY
1*	14187B13LS	FORK LEG L/S WP48 SUPERDUKE 06	1
2*	14187B13RS	FORK LEG R/S WP48 SUPERDUKE 06	1
3	0912080303	AH SCREW DIN0912-M 8X30	4
4	61001034026	TOP TRIPLE CLAMP 210/26 05	1
5	61001032026	BOT.TRIPLE CLAMP CPL. 05	1
6	60001033000	FORK TUBE LC8 ADV 03	1
7*	0012080303	AH SCREW DIN6912-M 8X30	11
8	59001037000	SPECIAL SCREW M8X26 WS=10	2
9	0934080003	HEXAGON NUT DIN0934-M 8	2
10	54601084100	O-RING SUPPORT W. SEALING LIP	1
11*	54201081100	TAPERED ROLLER BEARING CPL. 06	2
12	54601184000	STEERING HEAD GASKET TOP	1
13	61001086000	STEERING HEAD COVER 05	1
14*	54801036200	STEER.HEAD SCREW M20x1,5 SW=27	1
15	59001038300	HANDLEBAR CAMP 28MM ELOX. 05	2
16	0012100603	AH SCREW DIN6912-M10X60	2
17	59001039200	HANDLEBAR SUPPORT 28 MM ELOX.	1
18	56401042000	WASHER 10,5X32X2	4
19	56401040000	RUBBER BUSHING	4
20	61001041000	SPACER TUBE 10,2X12X38 05	2
21	0982100003	SELF LOCK.NUT DIN0982-M10 HIGH	2

066100100 / C066100100

* NEW PART

X AS REQUIRED

FORK LEGS

990 SUPERDUKE ORANGE EU 2006

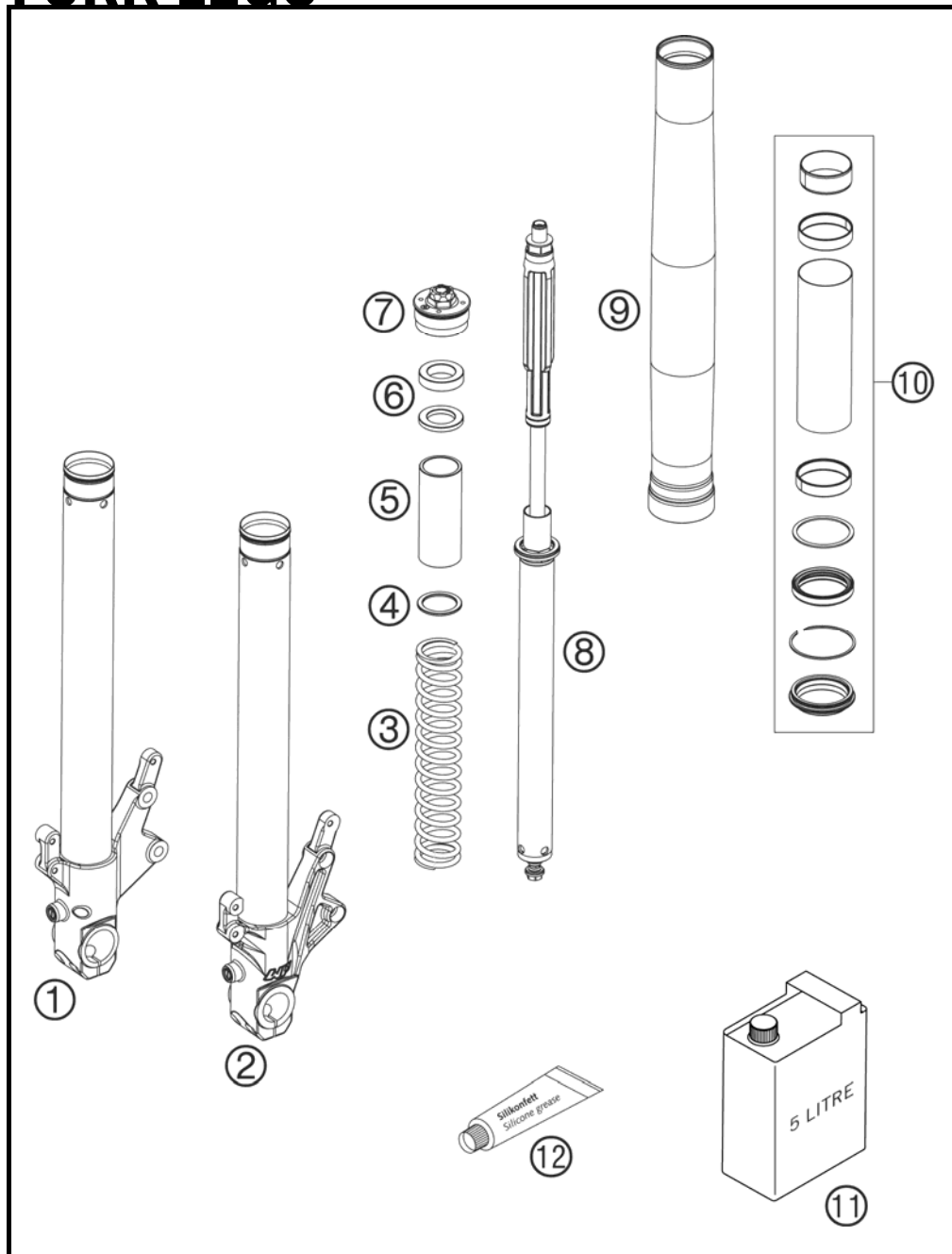


FIG	PART NUMBER	DESCRIPTION	QTY
1	48600259S1	AXLE CLAMP R/S CPL. 05	1
2	48600258S1	AXLE CLAMP L/S CPL. 05	1
3	91410034S	SPRING C=8,5 L=250 D=5,1 05	x
3	91410038S	SPRING C=9 L=250 D=5,1 05	1
3	91410039S	SPRING C=9,5 L=250 D=5,25 05	x
4	48600460	WASHER 32X42X2,5	2
5	48600361	SPACER ALU D40 X 100	2
6	48600036	SPACER 42X26,5X2,5	2
6	48600037	SPACER 42X26,5X5	2
6	48600053	SPACER 42X26,5X1,5	2
7	48600431S	PRE-LOAD ADJ. CPL. M51X1,5 05	2
8	48600358S	CARTRIDGE CPL. 05	2
9	48600362E	OUTER TUBE L=500MM D=54/60 SET	2
10	R14009	REPAIR-KIT GASKET 4860 MXMA 05	1
11	48600401S1	FORK OIL SAE 5 2005	1
12	T511	SILICONE GREASE F. DUST STRI	1

05610012 / C066100102

* NEW PART

X AS REQUIRED

HANDLEBAR, CONTROLS

990 SUPERDUKE ORANGE EU 2006

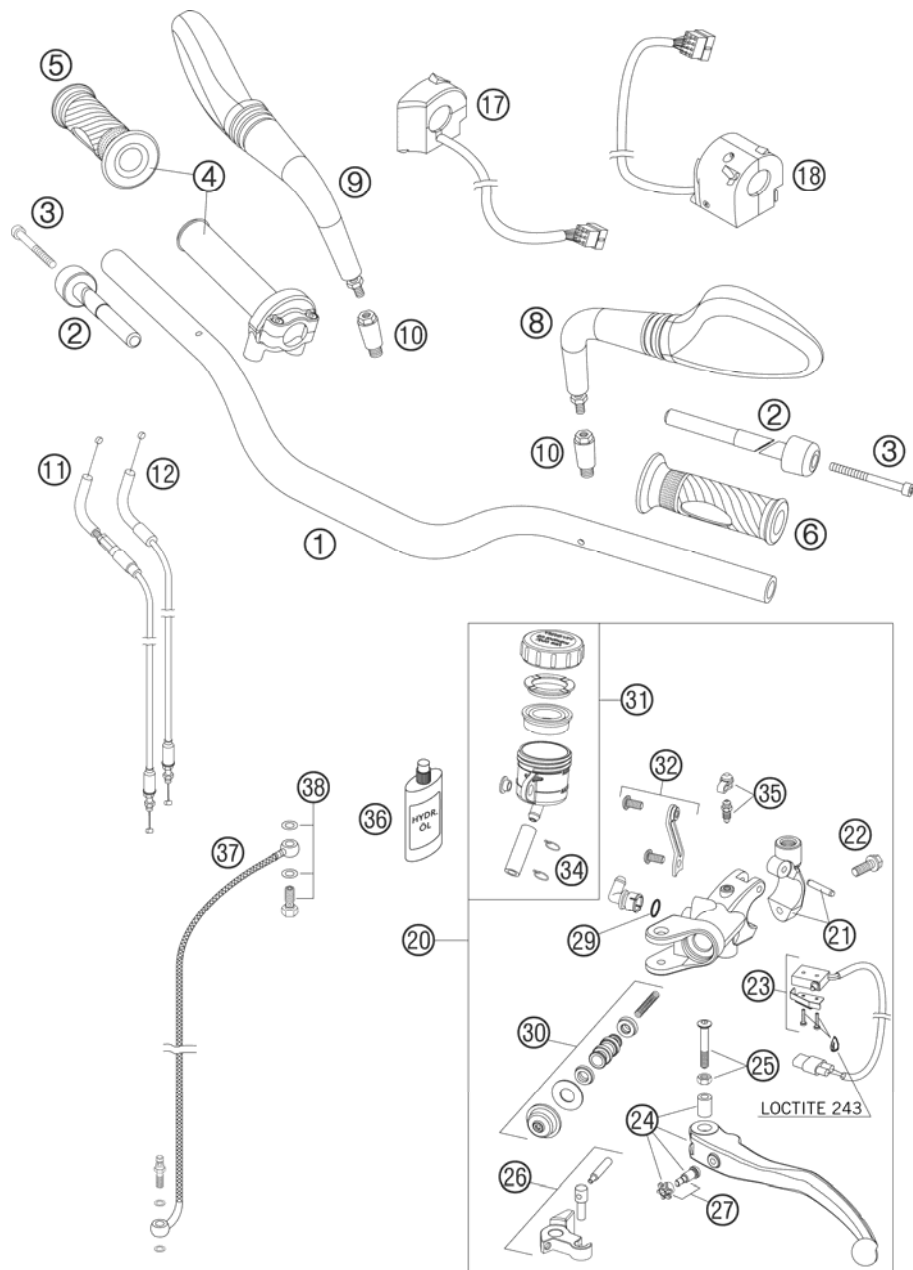


FIG	PART NUMBER	DESCRIPTION	QTY
1*	61002001100	HANDLEBAR 06	1
2	61002004000	VIBRATIONS ABSORBER 05	2
3	0912060653	AH SCREW DIN0912-M 6X65	2
4	61002010000	THROTTLE GRIP 05	1
5	61002013000	TWIST GRIP COVER PERFORATED 05	1
6	61002052000	FIXED GRIP PERFORATED 05	1
8*	58712040100	REAR MIRROR L/S 05	1
9*	58712041100	REAR MIRROR R/S 05	1
10	58412040050	SUPPORT FOR MIRROR LC4 '98	2
11	61002091000	THROTTLE CABLE OPEN 05	1
12	61002092000	THROTTLE CABLE CLOSE 05	1
17	58411074200	START-STOP SWITCH AD 03	1
18	61011070000	LIGHT SWITCH 05	1
20	61002030000	MASTER CYLINDER CPL. 05	1
21	61002044000	CLAMP MIRROR WITH PIN	1
22	0015060163	HH COLLAR SCREW M 6X16 WS=8	1
23	61011049000	CLUTCH SWITCH 05	1
24	61002031000	CLUTCH LEVER CPL. 05	1
25	61002038000	LEVER SCREW CPL. 05	1
26	61002056000	ROCKER CPL. 05	1
27	61002043000	ADJUSTING SCREW CPL.	1
29	61002051000	O-RING ANGLE PIECE	1
30	61002032000	REP.SET PISTON D=13 05	1
31	61002055000	RESERVOIR CPL. 05	1
32	61002055050	BRACKET AND SCREWS F. RESERV.	1
34	58007117000	YDNAC-CLAMP 10107 10MM	2
35	61002054000	BLEEDER SCREW WITH CAP	1
36	50302036200	OIL FOR HYD. CLUTCH 75ML	1
37	61032063000	CLUTCH PIPE 05	1
38	59032062000	HOLLOW SCREW HYDR. CLUTCH CPL.	1

066100200 / C066100200

* NEW PART

X AS REQUIRED

FRAME, SUB FRAME

990 SUPERDUKE ORANGE EU 2006

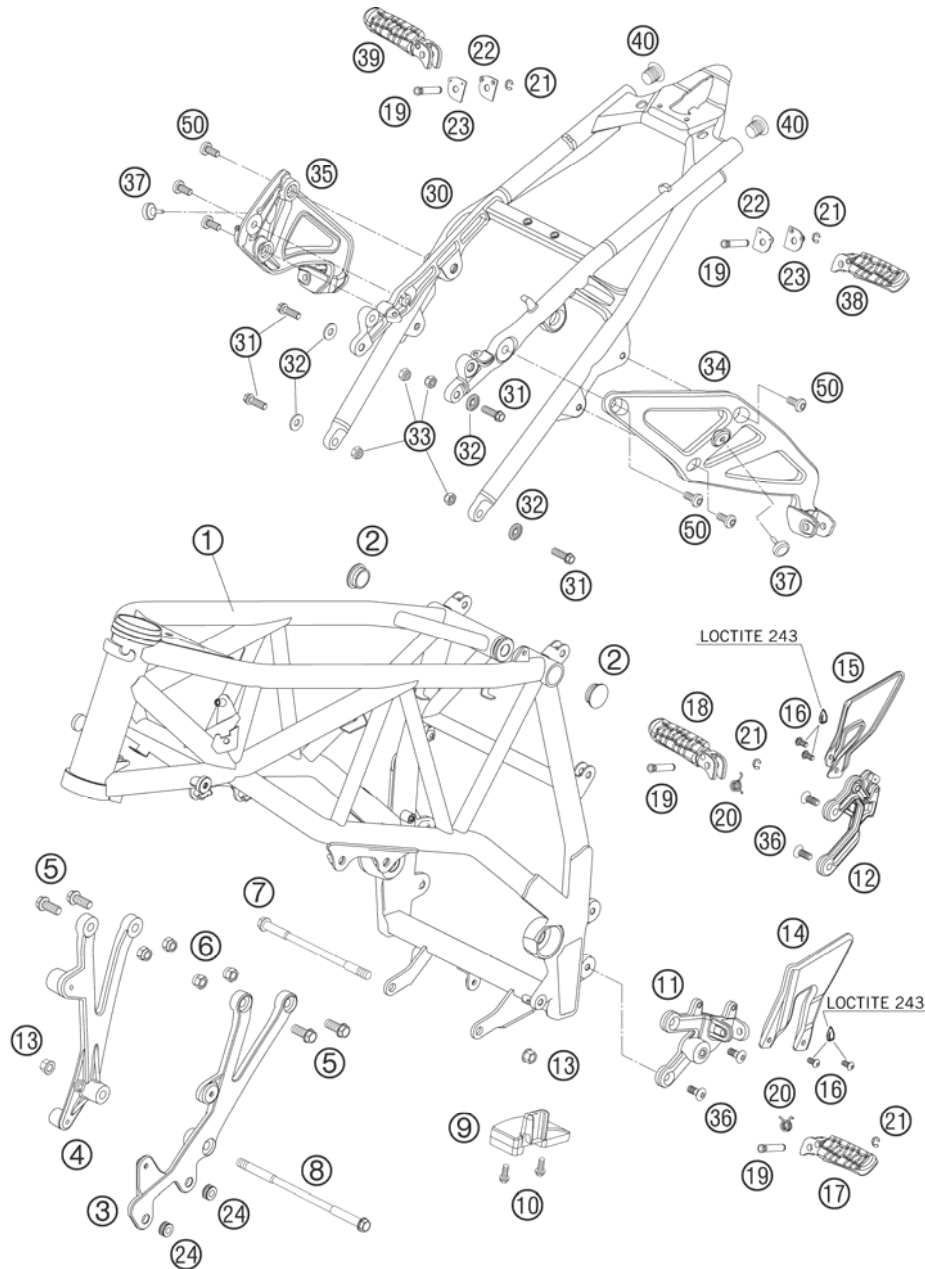


FIG	PART NUMBER	DESCRIPTION	QTY
1	6100300100030	FRAME 990 DUKE 05	1
2	61003088000	PLUG SFL28 05	2
3	61003005000	ENGINE SUPPORT LEFT 05	1
4	61003006000	ENGINE SUPPORT RIGHT 05	1
5	0015100243	HH COLLAR SCREW M10X24 WS=13	4
6	54310086100	SELF LOCKING NUT M10 CU WS=14	4
7	60003013000	ENGINE BRAC. SCREW M10X172 03	1
8	60003014000	ENGINE BRAC. SCREW M10X206 03	1
9	60004076100	CHAIN SLIDING BLOCK 05	1
10	0017060204	EJOT PT SCREW K60X20 ALU WS=6	2
11	61003038000	FOOTREST BRACKET FRONT L/S 05	1
12	61003039000	FOOTREST BRACKET FRONT R/S 05	1
13	54630044000	COLLAR NUT M10 WS=13	2
14	61034032000	COVER PLATE L/S 05	1
15	61013032000	COVER PLATE R/S 05	1
16	0738060101	COU.SUNK SCR. AH ISO7380 M6X10	4
17	61003050000	FOOTREST FRONT L/S CPL. 05	1
18	61003051000	FOOTREST FRONT R/S CPL. 05	1
19	60003044000	BOLT FOR FOOTREST REAR 03	4
20	61003042000	SPRING FOOTREST FRONT 05	2
21	0799060003	TAB WASHER DIN6799-RS 6,0	4
22	60003152000	ENGAGE PANEL FOOTREST L/S 03	2
23	60003052000	ENGAGE PANEL FOOTREST R/S 03	2
24	60003098000	RUBBER SLEEVE 03	2
30	61003002000	SUB FRAME ALUMINIUM 05	1
31	0015080303	HH COLLAR SCREW M 8X30 WS=10	4
32	61003002058	STEPPED WASHER 8,5X20X3,5 05	4
33	0926080003	STOP NUT DIN6926 M8 SS	4
34	61003048000	FOOTREST BRACKET REAR L/S 05	1
35	61003049000	FOOTREST BRACKET REAR R/S 05	1
36	54610052000	SPROCKET SCREW-AH M8X20 WS=6	4
37	60006001021	DISTANCE RUBBER AIRBOX 03	2
38	60003050000	FOOTREST CPL. L/S REAR 03	1
39	60003051000	FOOTREST CPL. R/S REAR 03	1
40	61003089000	PLUG SFL 22X1,8-3,5	2
50	61003052000	SPECIAL SCREW M8X18 06	6

066100300 / C066100300

* NEW PART

X AS REQUIRED

SIDE STAND

990 SUPERDUKE ORANGE EU 2006

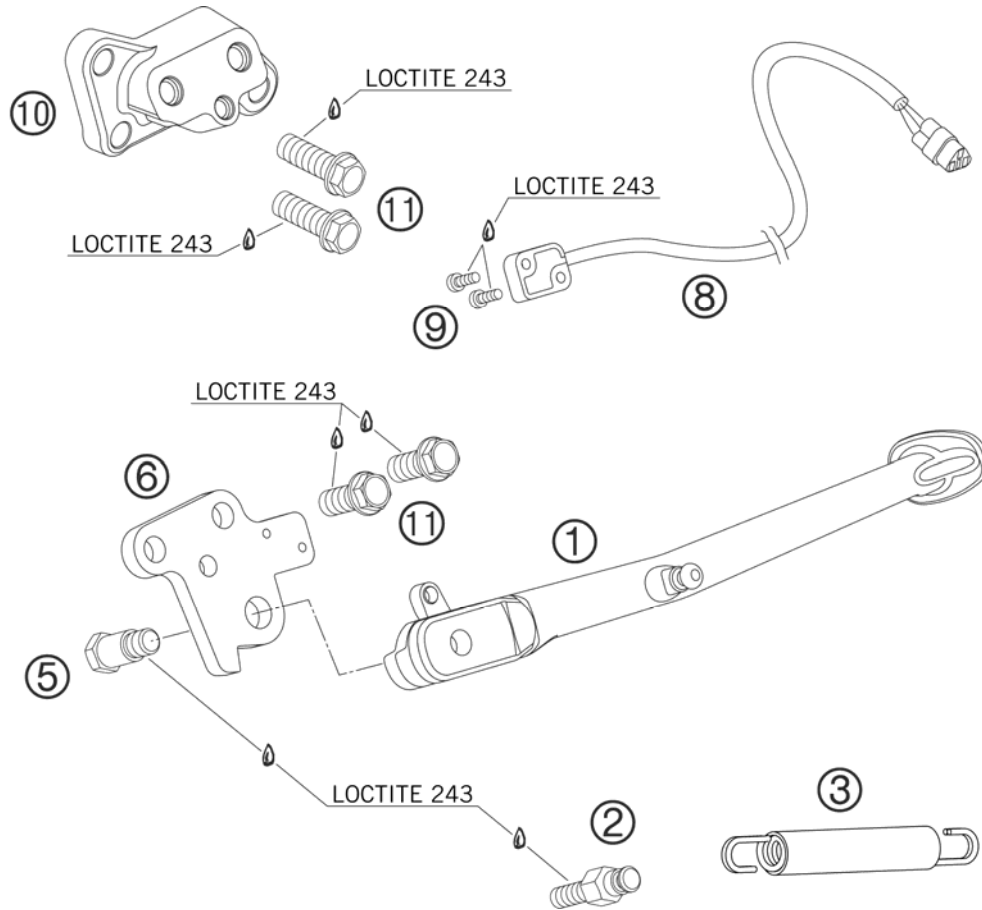


FIG	PART NUMBER	DESCRIPTION	QTY
1	61003023033	SIDE STAND CPL. 05	1
2	61003028001	SCREW SIDE STAND SPRING 05	1
3	61003024000	SPRING L=116 MM 05	1
5	58203027200	SCREW FOR SIDE STAND M10X26,7	1
6	61003028010	SIDE STAND PICKUP 05	1
8	61011045000	SIDE STAND SWITCH 05	1
9	0084040123	CYL.HEAD SCREW DIN84A M4x12	2
10	61003026000	SIDE STAND BRACKET 05	1
11	0015100303	HH COLLAR SCREW M10X30 WS=13	4

066100301 / C066100301

* NEW PART

X AS REQUIRED

SWING ARM

990 SUPERDUKE ORANGE EU 2006

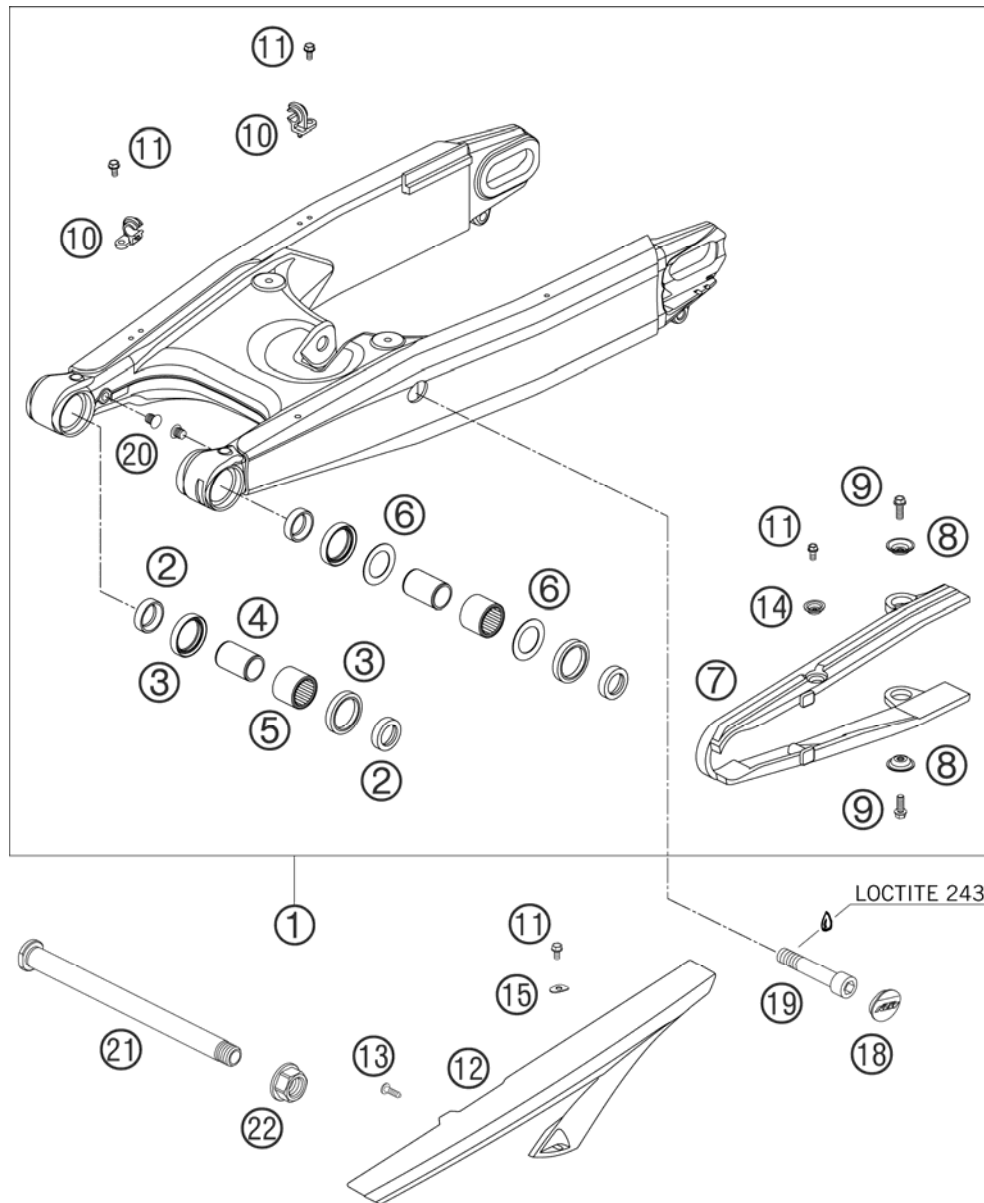


FIG	PART NUMBER	DESCRIPTION	QTY
1	61004030044	SWINGARM CPL. 990 DUKE 05	1
2	60004034000	BUCKET F. SHAFT SEAL RING 03	4
3	0760304073	SHAFT SEAL RING 30X40X7	4
4	60004032000	INNER RING JR20X25X38,5 03	2
5	60004031000	NEEDLE BUSH HK2526B 03	2
6	60004033000	STOP DISK 03	2
7	60004066100	CHAIN SLID. GUARD SWINGARM 05	1
8	72210079000	BUCKET	2
9	0015060163	HH COLLAR SCREW M 6X16 WS=8	2
10	5461107610030	RET. CLAMP F. BRAKE HOSE BLACK	2
11	0009050103	SPECIAL SCREW M 5,0X10	4
12	61004060000	CHAINGUARD 05	1
13	0081500181	SCREW FOR PLASTIC D=5X18	1
14	46104066050	BUSH FOR CHAIN SLIDER GUARD 02	1
15	61004060050	WASHER CHAINGUARD 05	1
18	60004041000	PLUG SWINGARM 03	1
19	60004017000	SCREW M14X1,5 L=73MM 03	1
20	60004042000	PLUG SFL12 GREY 05	2
21	60004037144	SWINGARM BOLT CPL. 05	1
22	60004038000	COLLAR NUT M19X1,5 WS=27MM 03	1

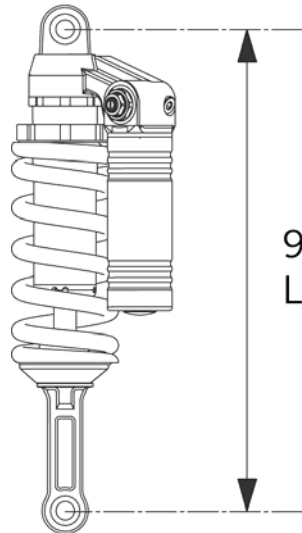
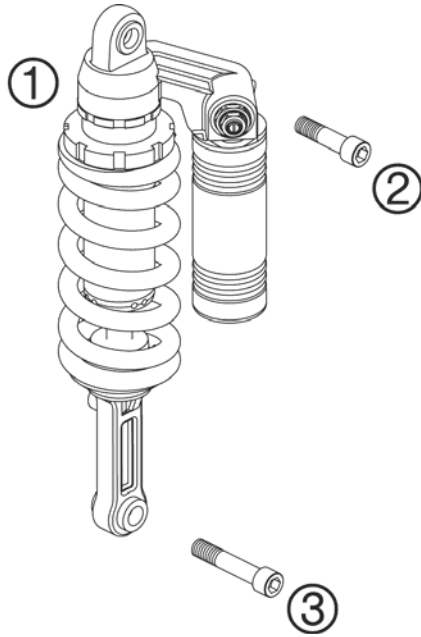
05610040 / C066100400

* NEW PART

X AS REQUIRED

SHOCK ABSORBER

990 SUPERDUKE ORANGE EU 2006



990 SUPERDUKE
L= 387 MM

FIG	PART NUMBER	DESCRIPTION	QTY
1*	15187B01	MONOSHOCK 990 SUPERDUKE 06	1
2	60004016000	SCREW M14X1,5 L=55MM 03	1
3	60004017000	SCREW M14X1,5 L=73MM 03	1

066100401 / C066100401

* NEW PART

X AS REQUIRED

SHOCK ABSORBER DISASSEMBLED

990 SUPERDUKE ORANGE EU 2006

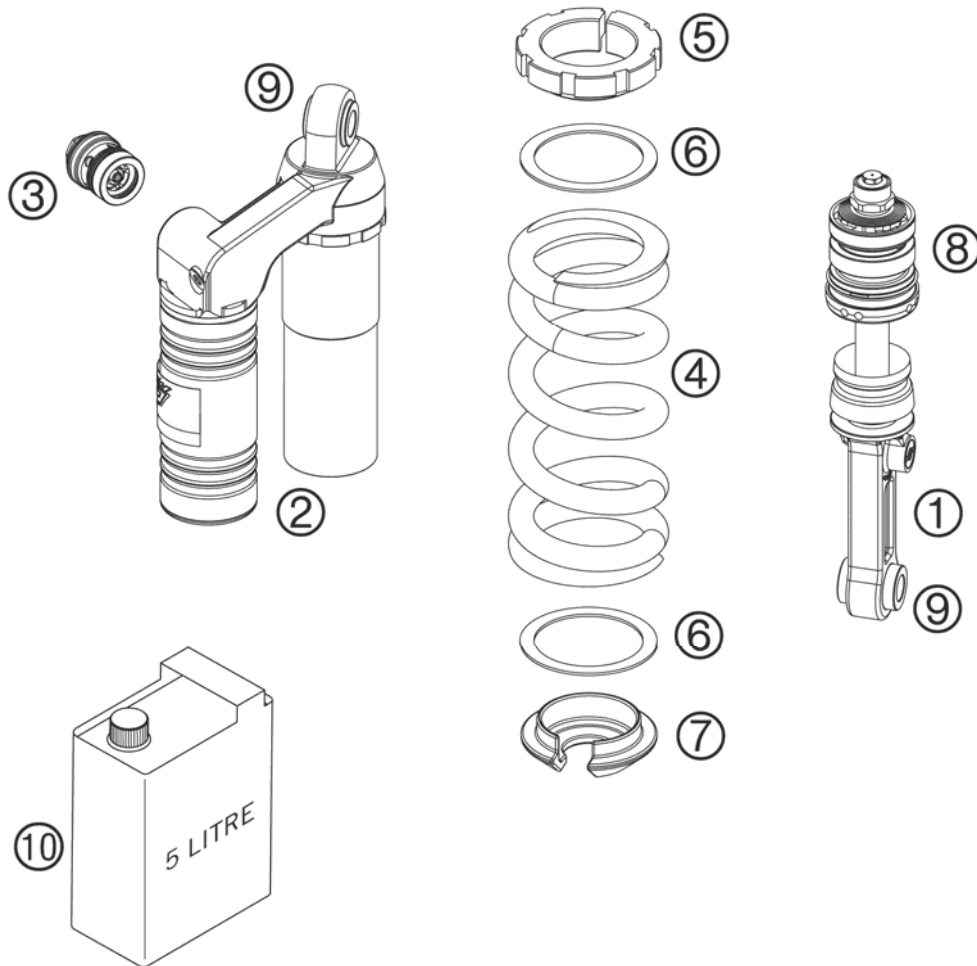


FIG	PART NUMBER	DESCRIPTION	QTY
1	46180364S1	MOUNT EYE CPL. 05	1
2	46180367S1	MONOSHOCK TOP 05	1
3	50180213S9	DCC-COMPR.DAMP.CONTROL CPL. 05	1
4	91010077	SPRING 160-185 (59) D=13,5	1
4	91010078S	SPRING (59) 170-185 D 14 05	x
4	91010235S	SPRING (59) 150- 185 D13,5 05	x
5	46180394S	ADJUSTING NUT M52X1,5	1
6	50180410	INTERM.RING D=58	2
7	46180396	SPRING RETAINER H=15 D=28	1
8	R15002	REPAIR-KIT GASKET 05	1
9	R15003	REPAIR KIT BEARINGS 05	1
10	50180466S1	SHOCK ABSORBER FLUID 5 LT 05	1

05610043 / C066100403

* NEW PART

X AS REQUIRED

MANIFOLD, SILENCER

990 SUPERDUKE ORANGE EU 2006



FIG	PART NUMBER	DESCRIPTION	QTY
1	61005007000	EXHAUST PIPE FRONT 05	1
2	61005008100	EXHAUST PIPE REAR 05	1
3	61005005000	EXHAUST GASKET 05	2
4	61005009000	SPACER BUSH. 8,5X15X7,5 05	2
5	51010086100	SELF LOCKING NUT M 8 CU	5
6	0910100003	PLUG DIN0910-M 10X1	2
7	0603100141	COPPER GASKET DIN7603-10X14X1	2
8	61041090000	LAMBDA SENSOR 05	2
10	61005007049	CLAMP EXHAUST PIPE 05	1
11	0015080403	HH COLLAR SCREW M 8X40 WS=10	1
12	0021080003	WASHER DIN9021-A 8,4	1
13	51005067000	INSULATE WASHER 8,5X28X3	1
14	58405050065	COLLAR BUSH 8,5X12X23,5X10	2
15	61005015050	EXHAUST PIPE BRACKET FRONT 05	1
16	0015080353	HH COLLAR SCREW M 8X35 WS=10	2
17	54305068100	DAMP. COMPONENT SILICONE GREY	3
20	61005051100	CLAMP CPL. D=53,2MM 05	1
21	58405005001	GRAPHITRING 45X50X25	1
30	61005052000	EXHAUST CLAMP CPL. 05	1
31	61005083000	SILENCER 05	1
32	61005090020	THERMAL SHIELD SILENCER L/S 05	1
33	61005090030	THERMAL SHIELD SILENCER R/S 05	1
34	61005090022	THER.PROT.FOIL SILENCER L/S 05	1
35	61005090032	THER.PROT.FOIL SILENCER R/S 05	1
36	61005091000	DAMP. COMPON. SILICONE GREY 05	6
37	54603048100	RANGE CHANGE METAL NUT M6	2
38	0738060101	COU.SUNK SCR. AH ISO7380 M6X10	2
39	61005083011	ANTI-ROTATION ELEMENT CPL. 05	2
40	0015080253	HH COLLAR SCREW M 8X25 WS=10	2
41	61005013000	RUBBER SILENCER SUPPORT 05	2
42	61005014000	SLEEVE SILENCER SUPPORT 05	2

066100500 / C066100500

* NEW PART

X AS REQUIRED

AIR FILTER BOX

990 SUPERDUKE ORANGE EU 2006

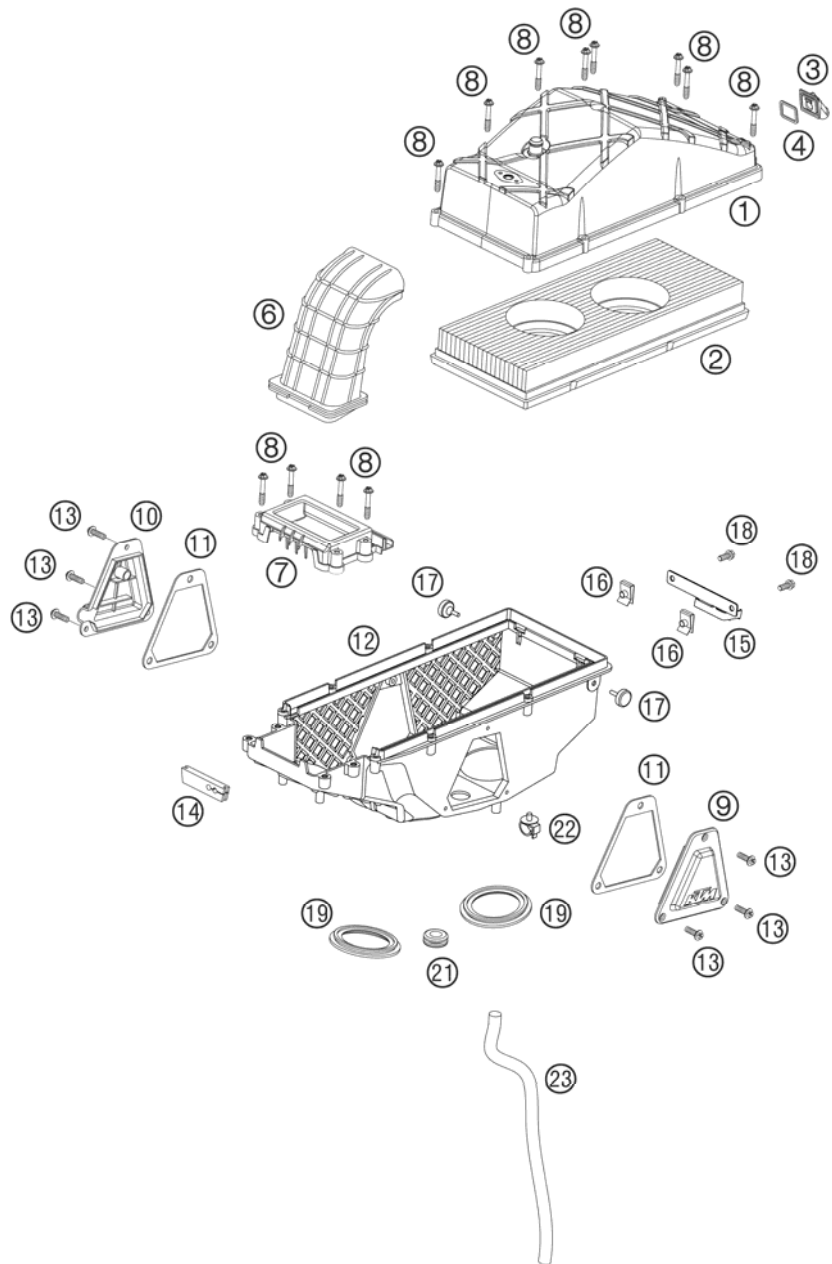


FIG	PART NUMBER	DESCRIPTION	QTY
1	61006002000	AIRBOX COVER 990 DUKE	04
2	61006015000	AIR FILTER EFI	05
3	60006007000	CONNECTOR FOR SAS LC8	03
4	60006007050	GASKET SAS CONNECTOR	03
6	60006040000	INTAKE SNORKEL	03
7	60006004000	AIRBOX FRONT PART LC8	03
8	60006006000	SPECIAL SCREW K60X35/15	03
9	60006003002	AIRBOX COVER L/S R/S	03
10	61006003002	AIRBOX COVER R/S EFI	05
11	60006003050	GASKET F. AIRBOX COVER L/S R/S	2
12	61006001000	FILTER BOX LOWER PART 990	05
13	0017060203	EJOT PT SCREW K60X20 WS=6	6
14	61006001030	RUBBER SLEEVE F. THR. CABLE	05
15	61006001020	SAS-BRACKET PANEL	05
16	54603048100	RANGE CHANGE METAL NUT M6	2
17	60006001021	DISTANCE RUBBER AIRBOX	03
18	0015060163	HH COLLAR SCREW M 6X16 WS=8	2
19	60036045000	RUBBER SLEEVE AIRBOX	03
21	60006001041	RUBBER SLEEVE FUEL HOSE	03
22	58111076000	CABLE SUPPORT KHS NR.150-47610	1
23	57005020001	HOSE 10X14 PER METER	x

05610060 / C066100600

* NEW PART

X AS REQUIRED

TANK, SEAT, COVER

990 SUPERDUKE ORANGE EU 2006

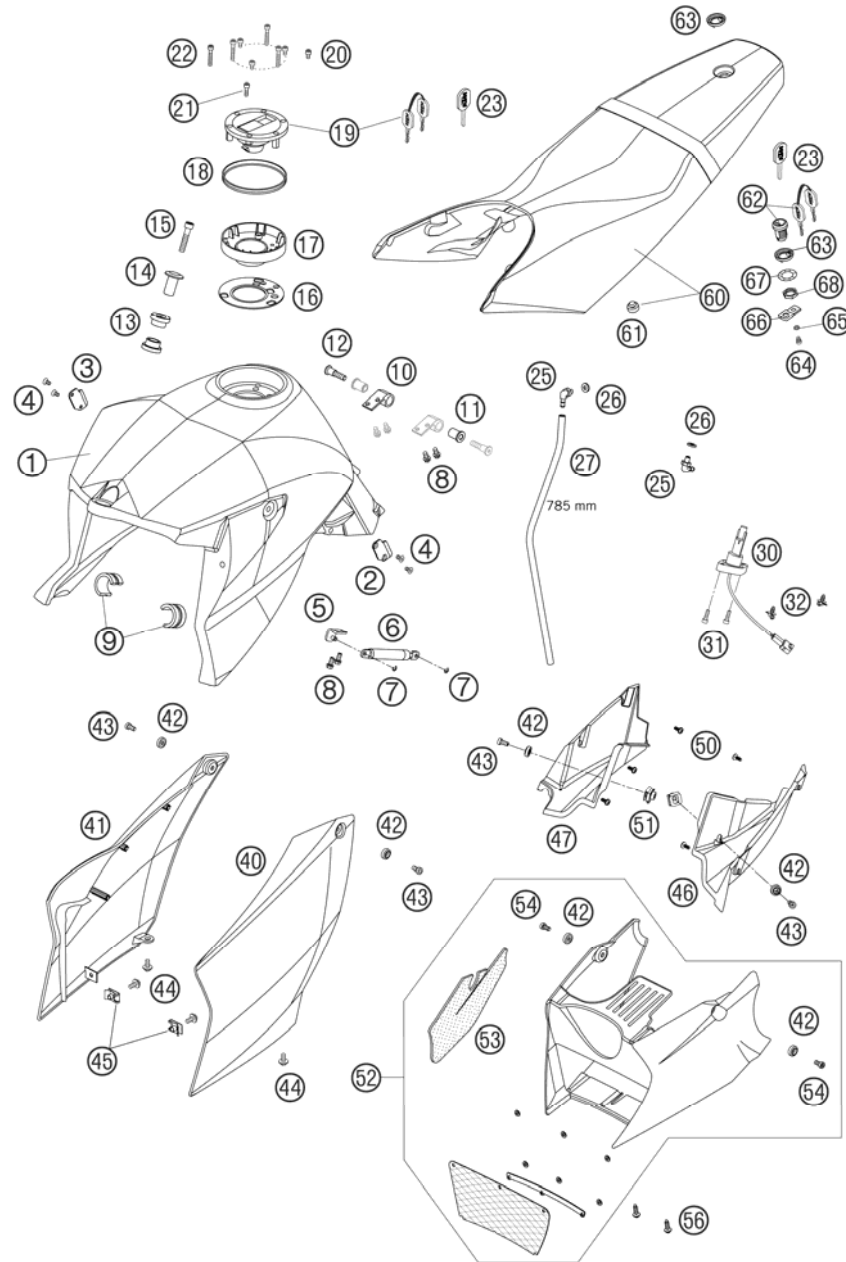


FIG	PART NUMBER	DESCRIPTION	QTY
1*	6100701310070A	FUEL TANK ORANGE 06	1
2	61007041000	BRACKET SEAT L/S 05	1
3	61007042000	BRACKET SEAT R/S 05	1
4	0991050102	FLAT H.SCEW DIN7991-M5X10 10.9	4
5	61007034000	MOUNTING BRACKET CPL. 05	1
6	61007035000	GAS-PRESSURE DAMPER 300N 05	1
7	0799040003	TAB WASHER DIN 6799-RS 4,0 A2	2
8	0015060123	HH COLLAR SCREW M 6X12 WS=8	6
9	61007014000	SPACER FUEL TANK 05	2
10	61007025000	BRACKET FUEL TANK 05	2
11	61007027000	RUBBER BEARING FUEL TANK 05	2
12	61007026000	SPECIAL SCREW M10X36 AH 05	2
13	61007065000	TANK RUBBER BUSHING FRONT 05	2
14	61007060000	BEARING BUSHING OUTSIDE 05	1
15	0912080403	AH SCREW DIN912 M8X40	1
16	60007008051	SEAL. FLANGE F.TANK INSERT 03	1
17	60007008150	TANK INSERT 05	1
18	60007008052	SEAL. RING F. TANK INSERT 03	1
19	61007008000	TANK PLUG CPL. 05	1
20	0912050083	AH SCREW DIN 912 M 5X8	3
21	0912050123	AH SCREW DIN0912-M 5X12	1
22	0912050303	AH SCREW DIN0912-M 5X30	3
23	40011166100	KEY BLANK LC4/DUKE/LC8	x
25	60007024000	CONNECT.PIECE F.OVERFLOW M7 03	2
26	60007024050	GASKET FOR CONNECTING PIECE 03	2
27	60007026001	HOSE NBR 5,4X9,4 PER METER	x
30*	61007080000	GAS-LEVEL SENSOR 06	1
31*	0912050163	AH SCREW DIN0912-M 5X16	2
32*	61011094000	CABLE TIE WITH PLUG M6	2
40	6100805000070A	SPOILER L/S ORANGE 05	1
		WITH DECAL	
41	6100805100070A	SPOILER R/S ORANGE 05	1
		WITH DECAL	
42	60008045000	SPECIAL WASHER D=16,5MM 03	6
43	0012060123	AH SCREW DIN6912 M6X12	4
44	0014060133	HH COLLAR SCREW M 6X13 WS=8	4

066100700 / C066100700

* NEW PART

X AS REQUIRED

TANK, SEAT, COVER

990 SUPERDUKE ORANGE EU 2006

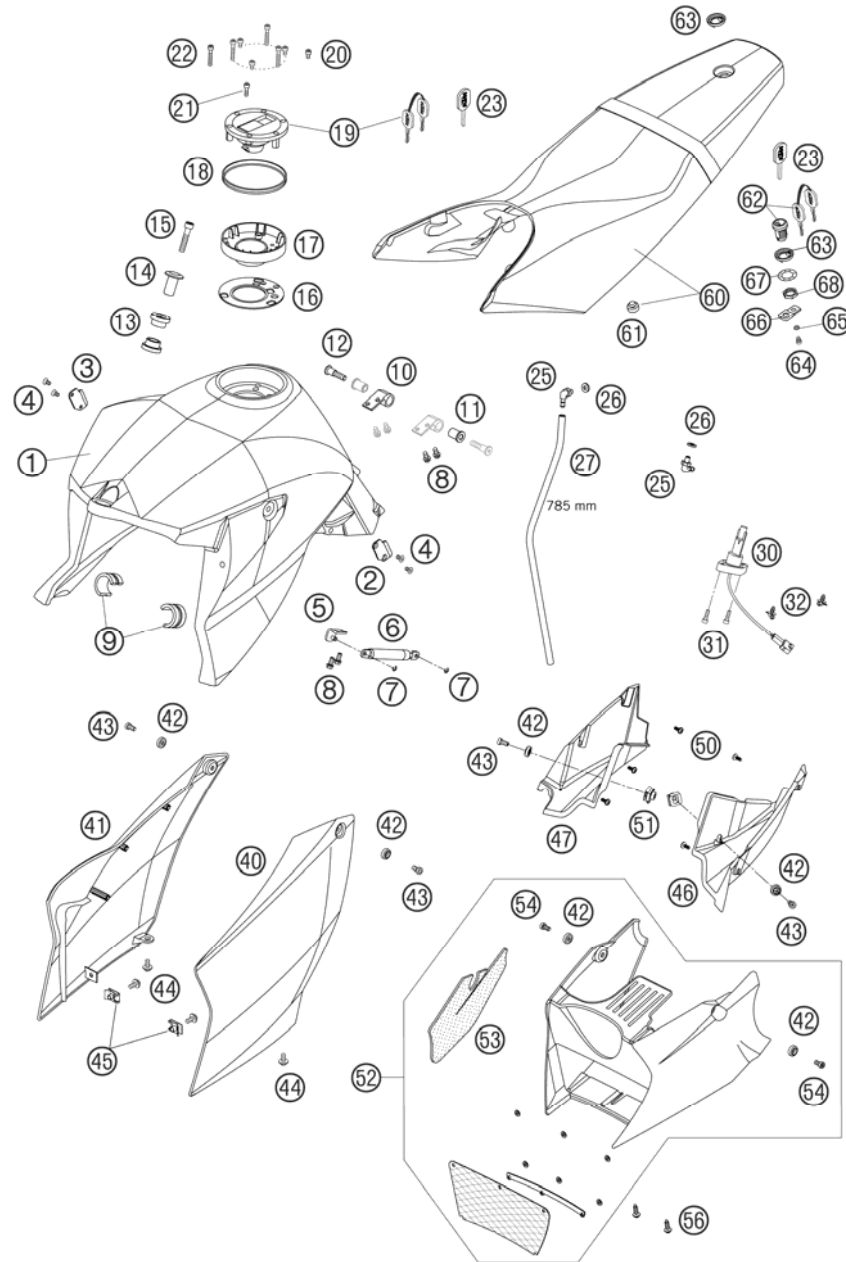


FIG	PART NUMBER	DESCRIPTION	QTY
45	54603048100	RANGE CHANGE METAL NUT M6	2
46	61008050050	AIR INTAKE L/S 05	1
47	61008051050	AIR INTAKE L/S 05	1
50	0016050121	SCREW FOR PLASTIC D=5X12	5
51	50235033300	SNAP-NUT HOLDER M6 KP142	2
52	6100802004470A	FRONT SPOILER CPL. ORANGE 05 WITH DECAL	1
53	61008020050	THERMAL PROTECTION FOIL 05	1
54	0012060164	AH SCREW DIN6912 M6X16 SL	2
56	0017060203	EJOT PT SCREW K60X20 WS=6	2
60	6100704000004	SEAT ORANGE 05	1
61	61007040010	DISTANCE RUBBER SEAT 05	6
62	61007050000	SEAT LOCK 05	1
63	61007052000	SPACER RING SEAT LOCK 05	1
64	61007050020	SCREW M4 AF32 05	1
65	61007050010	WASHER AF150 05	1
66	61007050040	CLOSING PANEL TR248 05	1
67	61007050050	WASHER TR12.01 05	1
68	61007050030	NUT M19 X1 AF36 05	1

066100700 / C066100700

* NEW PART

X AS REQUIRED

FUEL PUMP

990 SUPERDUKE ORANGE EU 2006

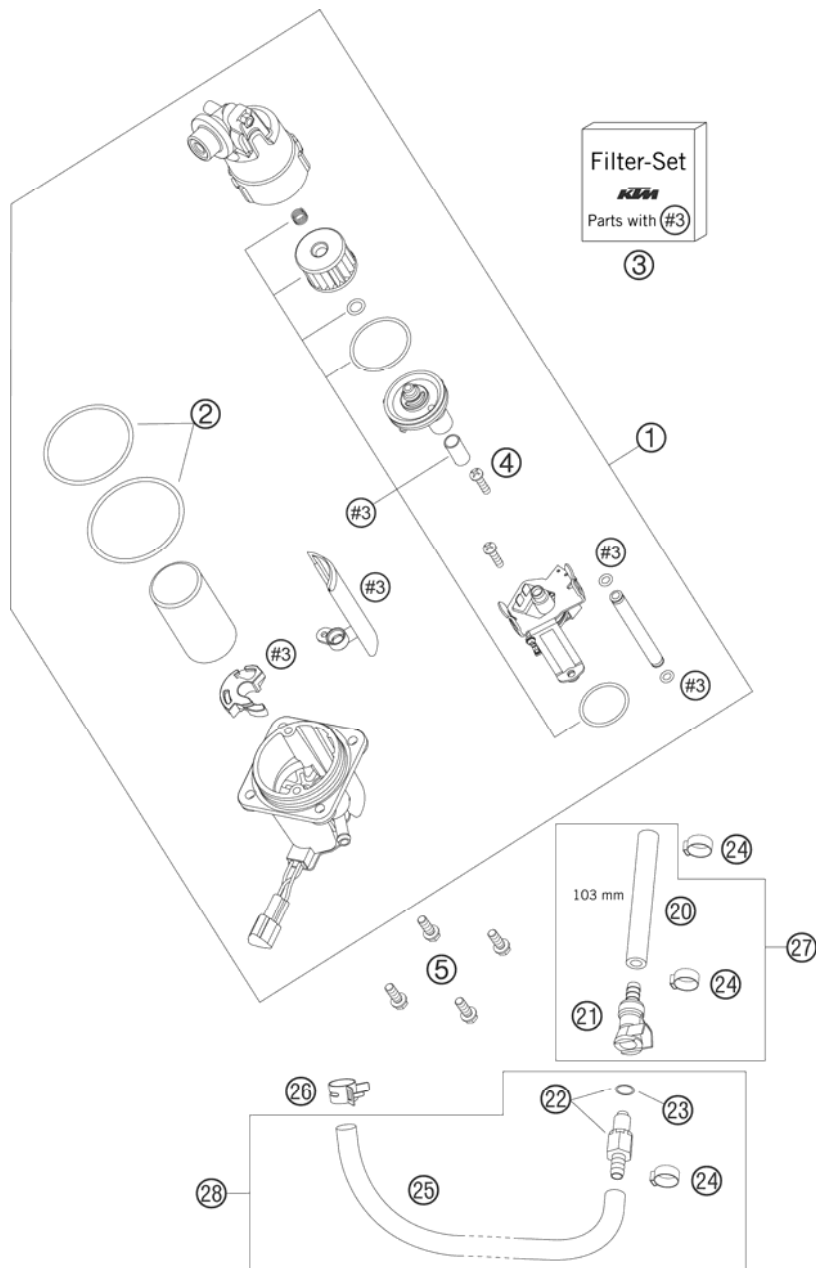


FIG	PART NUMBER	DESCRIPTION	QTY
1*	61007088100	FUEL PUMP 06	1
2	61007089000	O-RING SET FOR FUEL PUMP 05	1
3	61007090000	FILTER-SET FUEL PUMP 05	1
4	61007091000	SCREW FOR FILTER-SET 05	2
5	0015060163	HH COLLAR SCREW M 6X16 WS=8	4
20	60007016001	HOSE 7,5X13,5 PER METER	x
21	5850701050030	CLUTCH CPC BLACK 05	1
22	5850701030030	PLUG CPC BLACK 05	1
23	58507012000	O-RING VITON F. PLUG CPC 05	1
24	00050153706	VARIABLE ONE-EAR CLAMP 15,3MM	3
25	61007016000	FUEL HOSE 05	1
26	00049140121	CLAMP STD DN14	1
27	61007016051	FUEL HOSE 2 CPL. 05	1
28	61007016050	FUEL HOSE 90° 1 CPL. 05	1

066100707 / C066100707

* NEW PART

X AS REQUIRED

MASK, FENDERS

990 SUPERDUKE ORANGE EU 2006

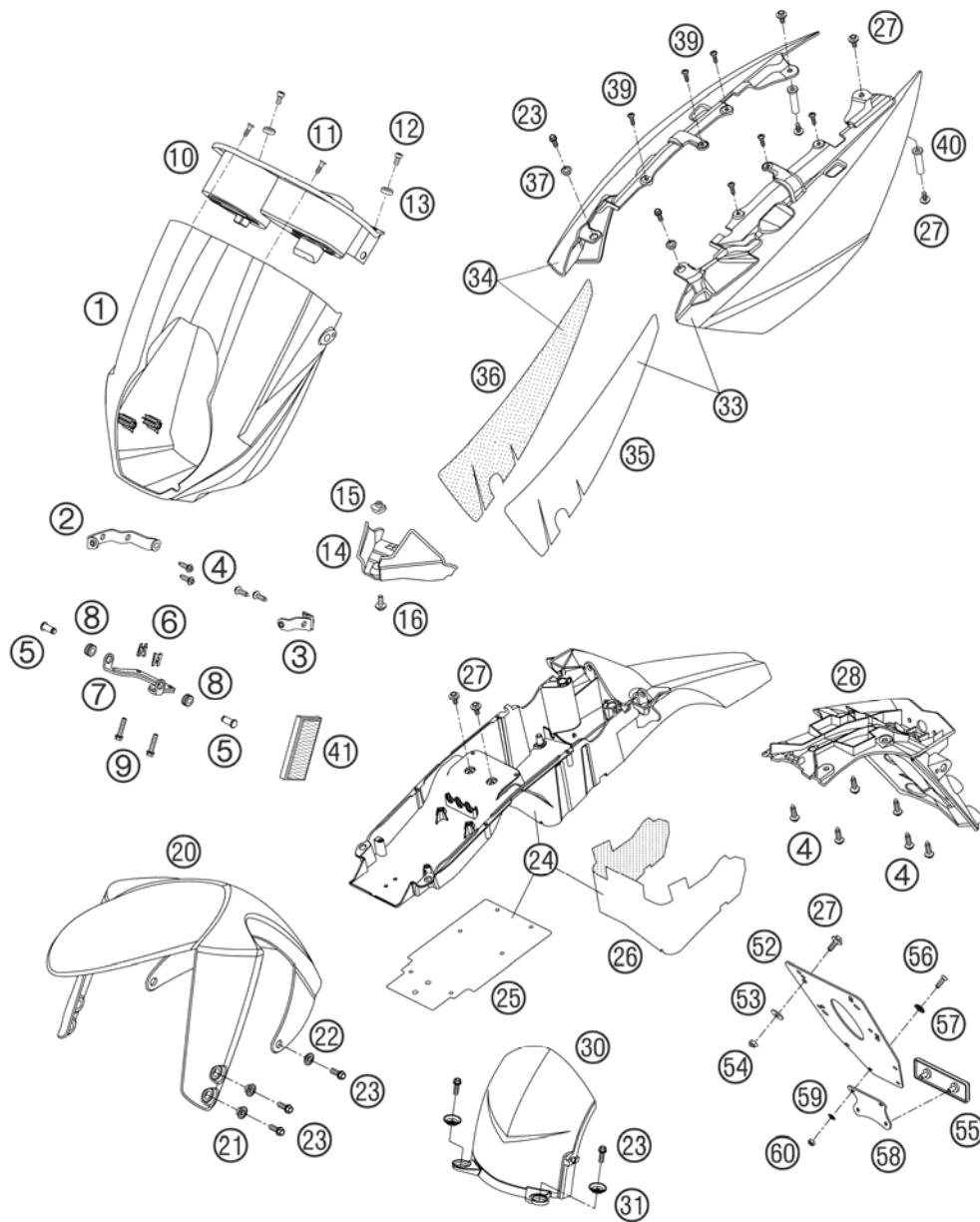


FIG	PART NUMBER	DESCRIPTION	QTY
1*	6100800100070B	HEAD LIGHT MASK ORANGE 06	1
2	61008005000	MASK BRACKET R/S CPL. 05	1
3	61008004000	MASK BRACKET L/S CPL. 05	1
4	0017060203	EJOT PT SCREW K60X20 WS=6	10
5	60013057000	BOLT F. LINK FORK 8X20X16,5	2
6	60013058000	SECURING CLIP D=8MM 03	2
7	58708002000	HINGE JOINT BOTTOM 99	1
8	31008060000	RUBBER SLEEVE D=8MM OPEN	2
9	0015060453	HH COLLAR SCREW M 6X45 WS=8	2
10	61014070000	INSTRUMENT COVER 05	1
11	0017050181	SCREW FOR PLASTIC D=5X18	2
12	0012060123	AH SCREW DIN6912 M6X12	2
13	60008045000	SPECIAL WASHER D=16,5MM 03	2
14	61003094000	SPLASH PROTECT. FRAME HEAD 05	1
15	50235033300	SNAP-NUT HOLDER M6 KP142	1
16	0014060153	HH COLLAR SCREW M 6X15 WS=8	1
20*	5870801000033C	FENDER FRONT BLACK MATT 06	1
21	50308053000	BUSH FOR SPOILER 6X11X16X7,5	4
22	50308052000	BUSH FOR SPOILER 6X11X16X5 MM	2
23	0015060163	HH COLLAR SCREW M 6X16 WS=8	10
24	61008019044	REAR END LOWER PART CPL. 05	1
25	61008021000	THERMAL PROTECTION FOIL 05	1
26	61008021100	THERMAL PROTECTION FOIL 05	1
27	0014060153	HH COLLAR SCREW M 6X15 WS=8	10
28	61008015000	NUMB.PLATE CARRIER 05	1
30	61008014000	SPLASH PROTECT. 05	1
31	72210079000	BUCKET	2
33*	6100804100033B	REAR TOPPART L/S BLACK MAT 06	1
34*	6100804200033B	REAR TOPPART R/S BLACK MAT 06	1
35	61008041050	THERMAL PROTECTION FOIL L/S 05	1
36	61008042050	THERMAL PROTECTION FOIL R/S 05	1
37	50308053000	BUSH FOR SPOILER 6X11X16X7,5	2
39	0081500181	SCREW FOR PLASTIC D=5X18	6
40	61008019050	SPECIAL NUT FOR REAR END 05	2
41	58412080100	REFLECTOR YELLOW '99 ONLY FOR AUS+UK	2

05610080 / C066100800

* NEW PART

X AS REQUIRED

MASK, FENDERS

990 SUPERDUKE ORANGE EU 2006

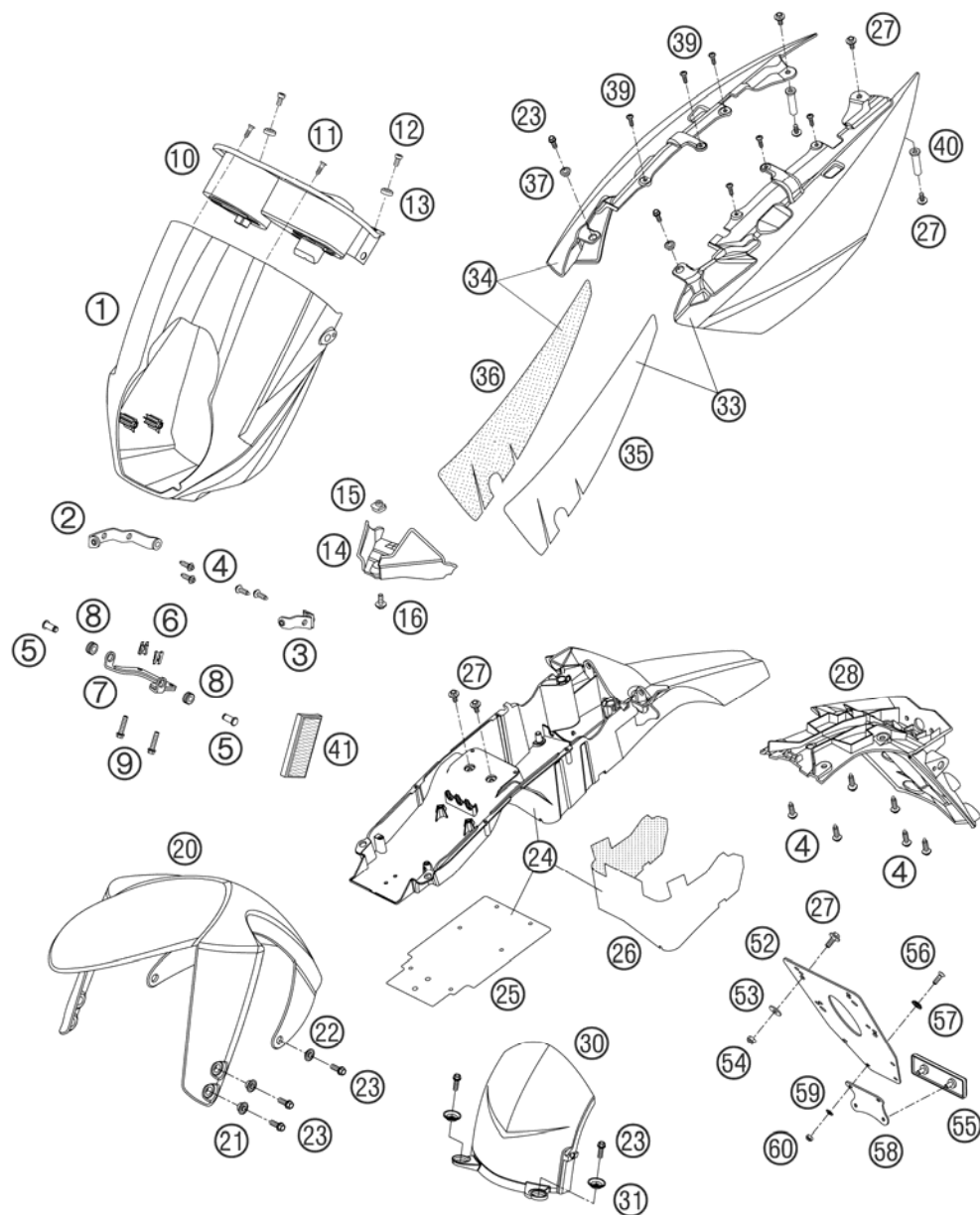


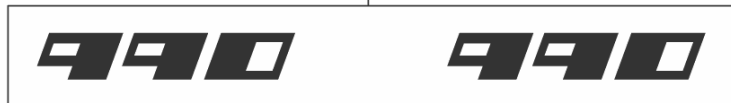
FIG	PART NUMBER	DESCRIPTION	QTY
52	60012081100	LICENCE NUMBER PLATE 05	1
53	0021060003	WASHER DIN9021-A 6,4	4
54	0985060003	SELF LOCK. NUT DIN0985-M 6	4
55	58412080000	REFLECTOR RED LC4 '98	1
56	0966050163	OVAL HEAD SCREW DIN0966-M 5X16	2
57	40006006000	WASHER 6MM	2
58	58412080050	BRACKET FOR REFLECTOR	1
59	0125050003	WASHER DIN0125-A 5,3	2
60	0985050003	SELF LOCKING NUT DIN0985-M 5	2

05610080 / C066100800

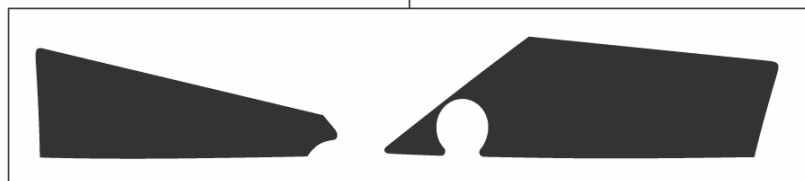
* NEW PART

X AS REQUIRED

①



②



③



FIG	PART NUMBER	DESCRIPTION	QTY
1	61008099000	DISPLACEMENT STICKER BLACK 05	1
2	61008096000	STICKER BUGSPOILER ORANGE 05	1
3	61008098000	STICKER TANKSPOILER ORANGE 05	1

066100807 / C066100807

* NEW PART

X AS REQUIRED

FRONT WHEEL

990 SUPERDUKE ORANGE EU 2006

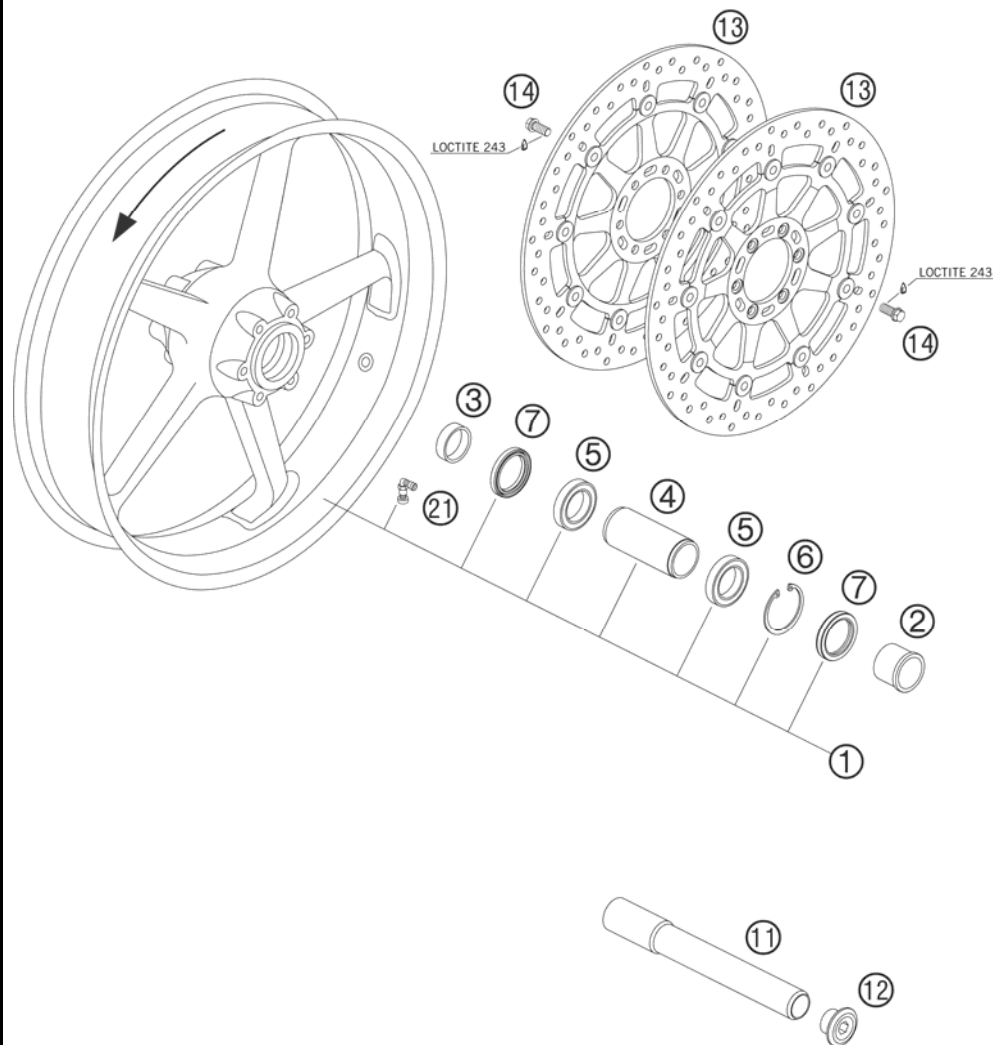


FIG	PART NUMBER	DESCRIPTION	QTY
1	61009001044	FRONT WHEEL CPL. 05	1
2	61009012000	SPACER BUSH. FR. WHEEL L/S 05	1
3	60009013000	SPACER BUSH. FR. WHEEL R/S 03	1
4	61009011000	BEARING SPACER TUBE FRONT 05	1
5	0625069068	GR.BALL BEAR.6906 DDU2CG23S6NM	2
6	0472048175	LOCK RING DINO472-48X1,75	1
7	0760354771	SHAFT SEAL RING 35X47X7 TC	2
11	61009081000	WHEEL SPINDEL FRONT 05	1
12	61009082000	AH SCREW M25X1,5 WS=12 05	1
13	61009060000	BRAKE DISK FRONT 320MM 05	2
14	61009062018	SPECIAL SCREW M8X18 05	12
21	61009076000	VALVE ANGLED 90° 05	1

066100900 / C066100900

* NEW PART

X AS REQUIRED

REAR WHEEL

990 SUPERDUKE ORANGE EU 2006

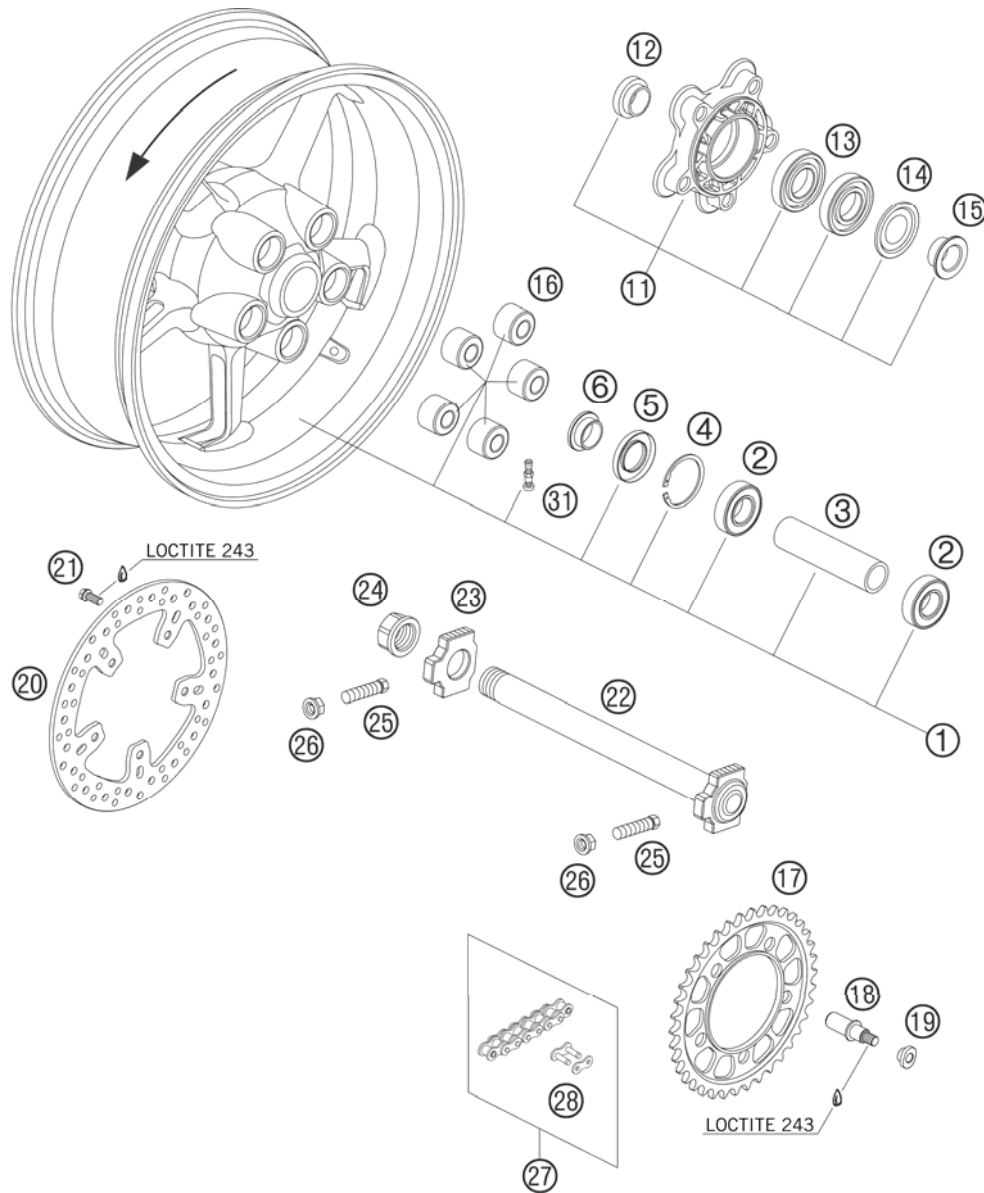


FIG	PART NUMBER	DESCRIPTION	QTY
1	61010001044	REAR WHEEL CPL. 05	1
2	0625062052	GR.BALL BEAR. 6205-2RSHC3HMTF7	2
3	61010011000	BEARING SPACER TUBE REAR 05	1
4	0472052200	CIRCLIP DIN0472-52X2	1
5	0760305271	SHAFT SEAL RING 30X52X7	1
6	60010013000	SPACER BUSH. REAR WHEEL R/S 03	1
11*	61010050144	SPROCKET SUPPORT CPL. 06	1
12*	60110014000	SPACER BUSH. SPR. SUPP. IN. 06	1
13*	0625060060	BALL BEARING 6006 DDU2CG23S6NM	2
14*	60110016000	NILOS RING 6006AV	1
15*	60110012000	SPACER BUSH. SPROCKET SUPP. 06	1
16	61010059000	DAMPING RUBBER 05	5
17	61010051138	REAR SPROCKET 38-T STEEL 05	1
17	61010051139	REAR SPROCKET 39-T STEEL 05	x
17	61010051140	REAR SPROCKET 40-T STEEL 05	x
18	61010056000	BOLT FOR SPROCKET SUPPORT 05	5
19	61010057000	NUT REAR SPROCKET 05	5
20	61010060000	BRAKE DISK REAR D=240MM 05	1
21	61009062018	SPECIAL SCREW M8X18 05	5
22	60010081044	WHEEL SPINDLE REAR CPL. 03	1
23	60010084000	CHAIN TENSIONER R/S LC8 03	1
24	61010086000	COLLAR NUT M25X1,5 WS=32 05	1
25	50304040100	SCREW M10X1,25X50 WS=10	2
26	58414030000	HH COLLAR NUT M10X1,25 WS=13	2
27	60010165118	CHAIN 525 WITH MASTER LINK 03	1
		CUT TO 110 CHAIN LINKS	
28	60010066000	MASTER LINK FOR CHAIN 525 03	x
		NEED RIVET TOOL	
31	58709076000	VALVE CPL. BREMBO DUKE 2003	1

066101001 / C066101000

* NEW PART

X AS REQUIRED

WIRING HARNESS

990 SUPERDUKE ORANGE EU 2006

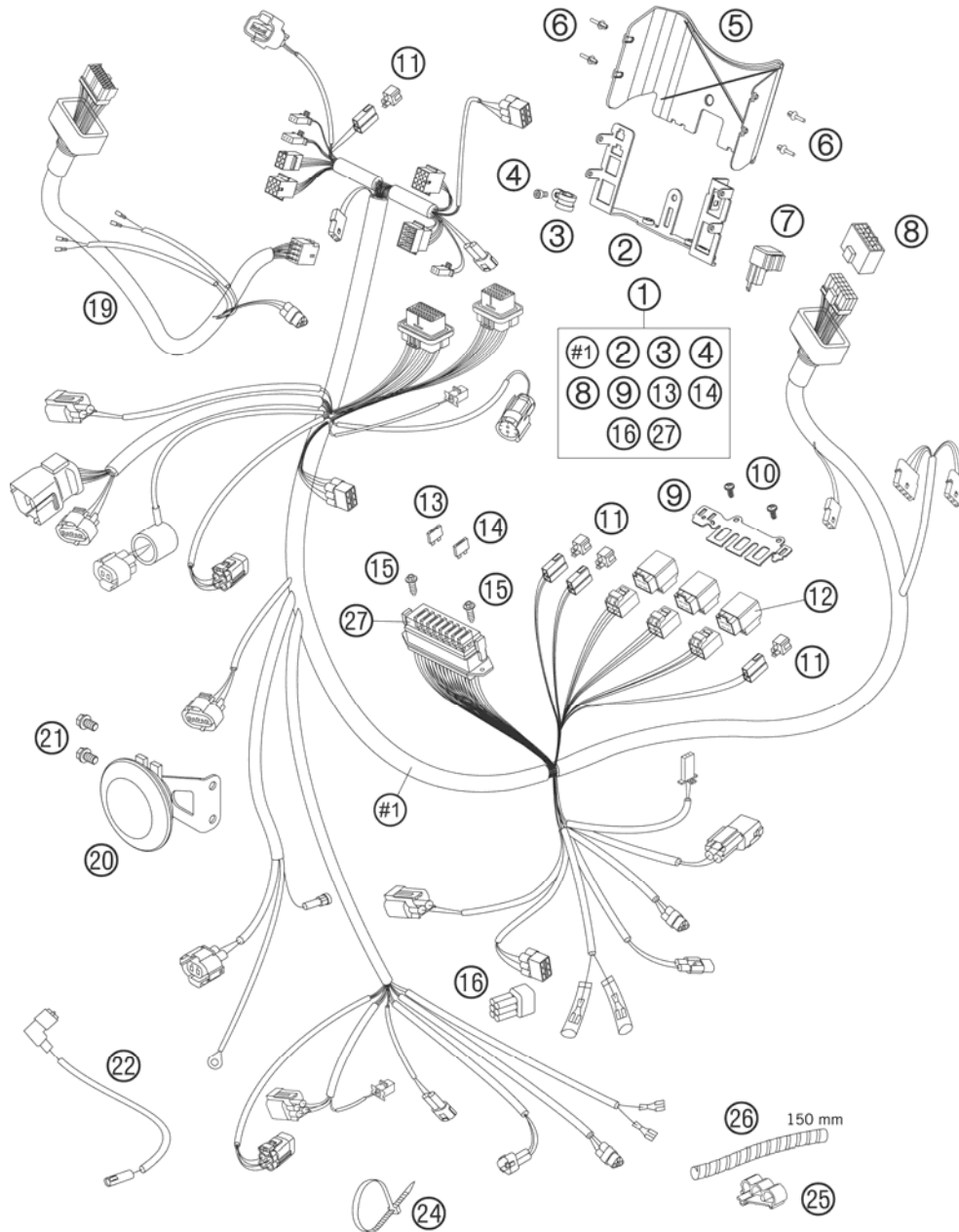


FIG	PART NUMBER	DESCRIPTION	QTY
1*	61011075100	MAIN WIRING HARNESS 06	1
2	61011083000	BRACKET FOR PLUGS CPL. 05	1
3	49007439000	CLAMP RSGU 15/12	1
4	0912050103	AH SCREW DIN0912-M 5X10	1
5	61011083020	BRACKET FOR PLUGS COVER 05	1
6	60003088000	PLASTIC CAP FOR M6 03	4
7	44611207200	FLASHER UNIT 97	1
8	61011075020	DUMMY PLUG ALARM SYSTEM 05	1
9	61011057050	BRACKET RELAY 05	1
10	0016050121	SCREW FOR PLASTIC D=5X12	2
11	58411096100	DIODE S3H-15 97	4
12	58411057000	STARTER RELAY '96	3
13	58011109110	FUSE 10 A 2000	x
14	58011109115	FUSE 15 A 2003	x
15	0017060203	EJOT PT SCREW K6X20 WS=6	2
16	000700000BH	SPARE CONNECTOR BH DIAGNOSTIC PORT	1
19	61011079000	WIRING HARNESS FRONT 05	1
20	61011060000	DC HORN CPL. 05	1
21	0015060103	HH COLLAR SCREW M 6X10 WS=8	2
22	60011092000	OIL-PRESSURE SWITCH CABLE 03	1
24	44011076100	CABLE TIE 100/2,5MM BLACK	x
24	44011076200	CABLE TIE 200/3,6MM BLACK	x
24	44011076305	CABLE TIE 300/4,8MM BLACK	x
25	61011093000	WIRING HOLDER 05	1
26	58513001000	SPIRAL HOSE D=9MM 00	x
27	58511075510	FUSE-BOX COVER	1

066101100 / C066101100

* NEW PART

X AS REQUIRED

BATTERY BOX

990 SUPERDUKE ORANGE EU 2006

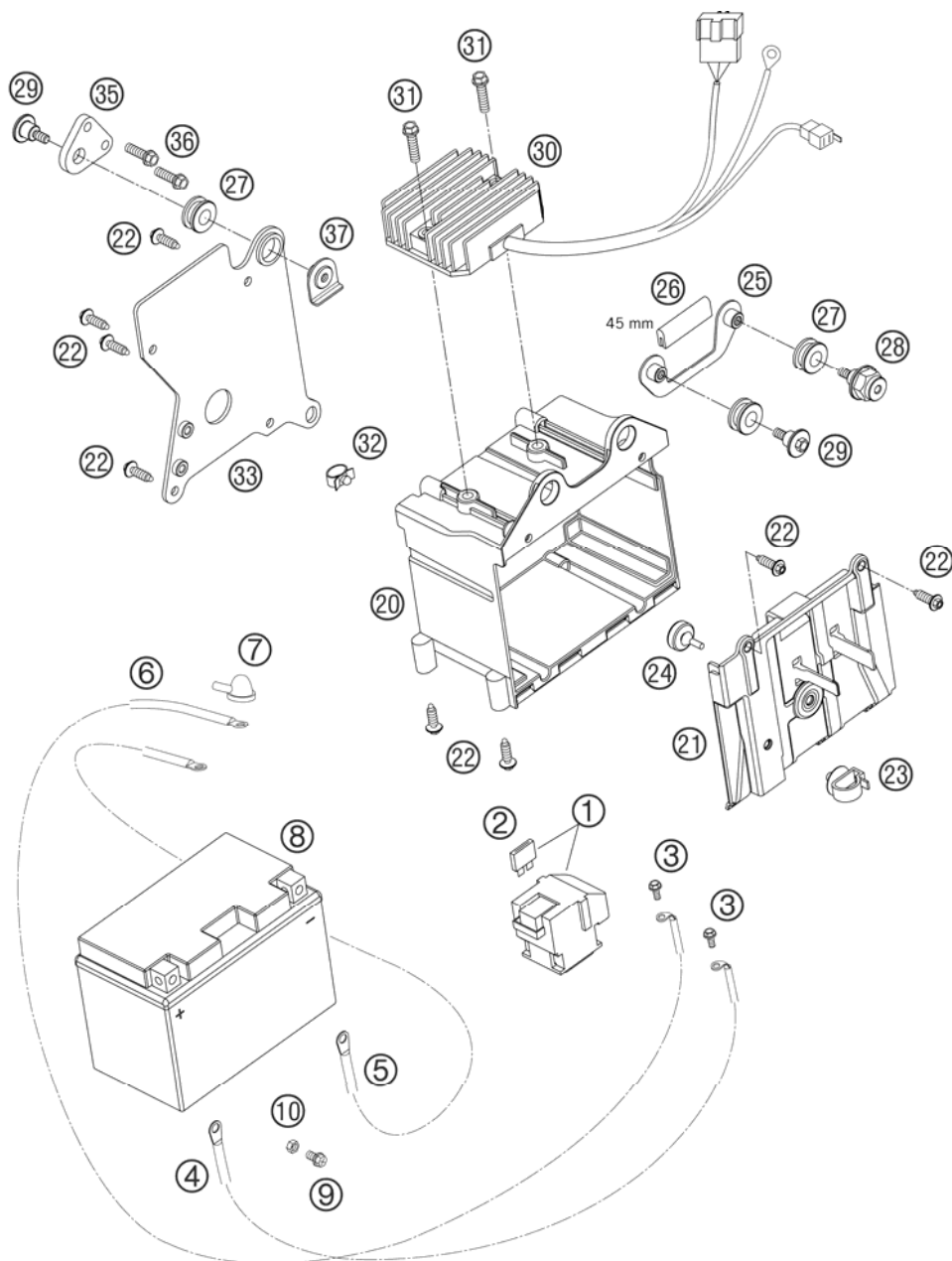


FIG	PART NUMBER	DESCRIPTION	QTY
1	60011058000	STARTER RELAY 03	1
2	58011109030	FUSE 30 A 2002	x
3	0902060083	AH OVAL SCREW ISO 7380 M 6X8	2
4	61011059050	BATTERY CABLE L=230MM 05	1
5	61011097000	GROUND CABLE L=450MM 05	1
6	61011059000	STARTERCABLE L=820 MM	1
7	60040009000	RUBBER CAP STARTER PORT 03	1
8	60011053000	BATTERY 12V/11AH 03	1
9	0014060103	HH COLLAR SCREW M 6X10 WS=8	2
10	0934060003	HEXAGON NUT DIN0934-M 6	2
20	61011054000	BATTERY BOX 05	1
21	61011054006	BATTERY BOX COVER 05	1
22	0017060203	EJOT PT SCREW K6X20 WS=6	8
23	58111076000	CABLE SUPPORT KHS NR.150-47610	1
24	60006001021	DISTANCE RUBBER AIRBOX 03	1
25	61011055033	ANTI-ROT. ELEMENT DUAL CPL. 05	1
26	58312085100	EDGE PROTECTOR PER METER	x
27	60003098000	RUBBER SLEEVE 03	3
28	61011055050	SPECIAL SCREW M6 WS19 05	1
29	60035001000	SCREW RADIATOR BRACKET M6 03	2
30	60011034000	VOLTAGE REGULATOR LC8 03	1
31	0015060303	HH COLLAR SCREW M 6X30 WS=8	2
32	57013072100	WIRING HOLDER 16MM	1
33	61011057033	BATTERY BOX SUPPORT R/S CPL.	1
35	61011056020	BATTERY SUPPORT 05	1
36	0015060203	HH COLLAR SCREW M 6X20 WS=8	2
37	61011056033	ANTI-ROTATION ELEMENT CPL. 05	1

05610111 / C066101101

* NEW PART

X AS REQUIRED

HAND BRAKE CYLINDER

990 SUPERDUKE ORANGE EU 2006

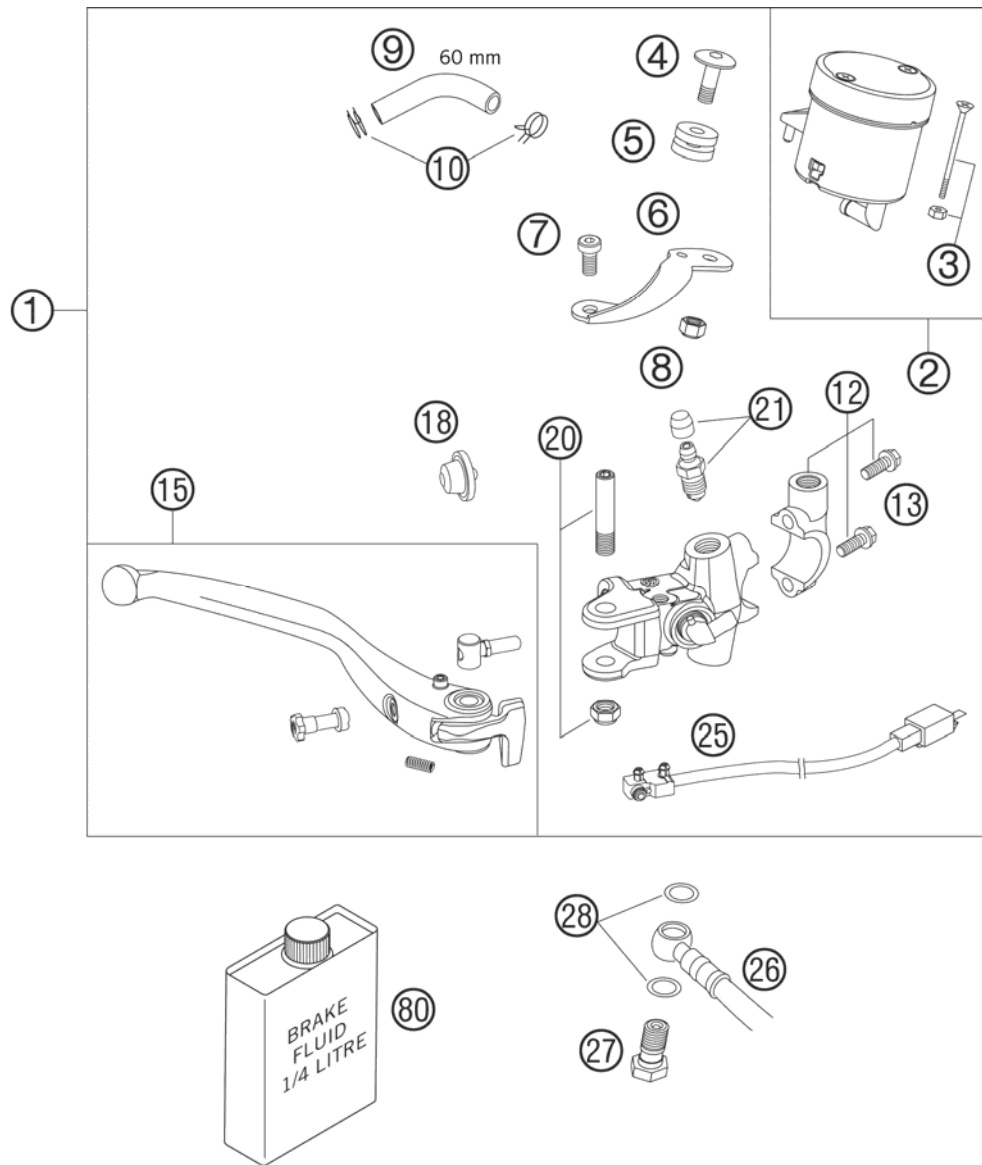


FIG	PART NUMBER	DESCRIPTION	QTY
1	61013001000	HAND BRAKE CYLINDER 05	1
2	61013009002	BRAKE FLUID RESERVOIR CPL.	1
3	61013009003	SCREW + NUT FOR RESERVOIR	2
4	61013013050	SCREW RET.PANEL-RESERVOIR	1
5	61013013000	RUBBER BUSH 05	1
6	61013009001	RET.PANEL FLUID RES. FRONT 05	1
7	61013021000	SCREW RET.PANEL-BRAKE CYLINDER	1
8	61013009004	NUT FOR RESERVOIR	1
9	58007016101	HOSE FOR RESERVOIR 6X1,5	1
10	58007017000	YDNAC CLAMP 10101 (9MM)	2
12	61013005000	CLAMP CPL. 05	1
13	0015060253	HH COLLAR SCREW M 6X25 WS=8	2
15	61013002044	HAND BRAKE LEVER 05	1
18	61013008000	RUBBER CUP 05	1
20	61013006000	LEVER SCREW CPL. 05	1
21	60013020000	BLEEDER SCREW WITH CAP	1
25	61011050000	BRAKE LIGHT SWITCH FRONT 05	1
26	61013012000	BRAKE PIPE FRONT CPL. 05	1
27	50213025000	HOLLOW SCREW M10X1X19	1
28	42013226000	CU-SEAL RING DIN7603-10X16X1	2
80	306054	BRAKE FLUID DOT 5.1	1

05610130 / C066101300

* NEW PART

X AS REQUIRED

REAR BRAKE CONTROL

990 SUPERDUKE ORANGE EU 2006

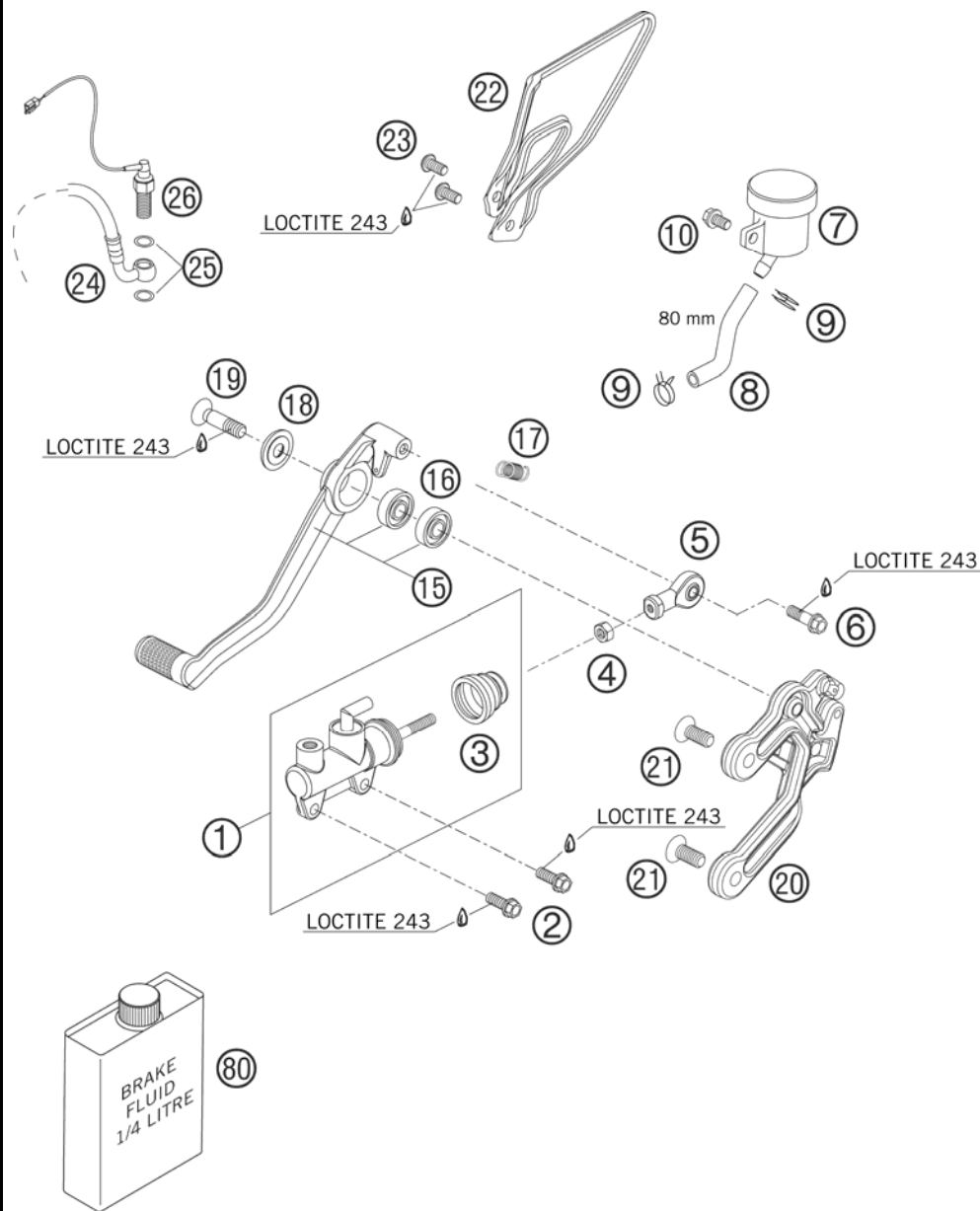


FIG	PART NUMBER	DESCRIPTION	QTY
1	61013060000	MAIN BRAKE CYLINDER 05	1
2	59009062016	SPECIAL SCREW M6X16 WS=8 10.9	2
3	61013064000	CUP FOR MAIN BRAKE CYLINDER	1
4	0934060003	HEXAGON NUT DIN0934-M 6	1
5	54603069000	SWIVEL HEAD M6 FOOT BRAKE LEV.	1
6	59009062019	SPECIAL SCREW M6X19 WS=8 10.9	1
7	61013069000	RESERVOIR REAR CPL. 05	1
8	58007016101	HOSE FOR RESERVOIR 6X1,5	1
9	58007017000	YDNAC CLAMP 10101 (9MM)	2
10	0015060103	HH COLLAR SCREW M 6X10 WS=8	1
15	61013050044	FOOT BRAKE LEVER CPL. 05	1
16	0625006087	GROOVED BALL BEAR. 608 2RS C3	2
17	61013052000	SPRING FOOT BRAKE LEVER 05	1
18*	58303061100	SPECIAL WASHER ALU 8X24 MM ELO	1
19	61013059000	FLAT HEAD SCREW M8X32 SL 05	1
20	61003039000	FOOTREST BRACKET FRONT R/S 05	1
21	54610052000	SPROCKET SCREW-AH M8X20 WS=6	2
22	61013032000	COVER PLATE R/S 05	1
23	0738060101	COU.SUNK SCR. AH ISO7380 M6X10	2
24	61013072000	BRAKE PIPE REAR 05	1
25	42013226000	CU-SEAL RING DIN7603-10X16X1	2
26	61011051000	BRAKE LIGHT SWITCH REAR 05	1
80	306054	BRAKE FLUID DOT 5.1	1

05610131 / C066101301

* NEW PART

X AS REQUIRED

BRAKE CALIPER FRONT

990 SUPERDUKE ORANGE EU 2006

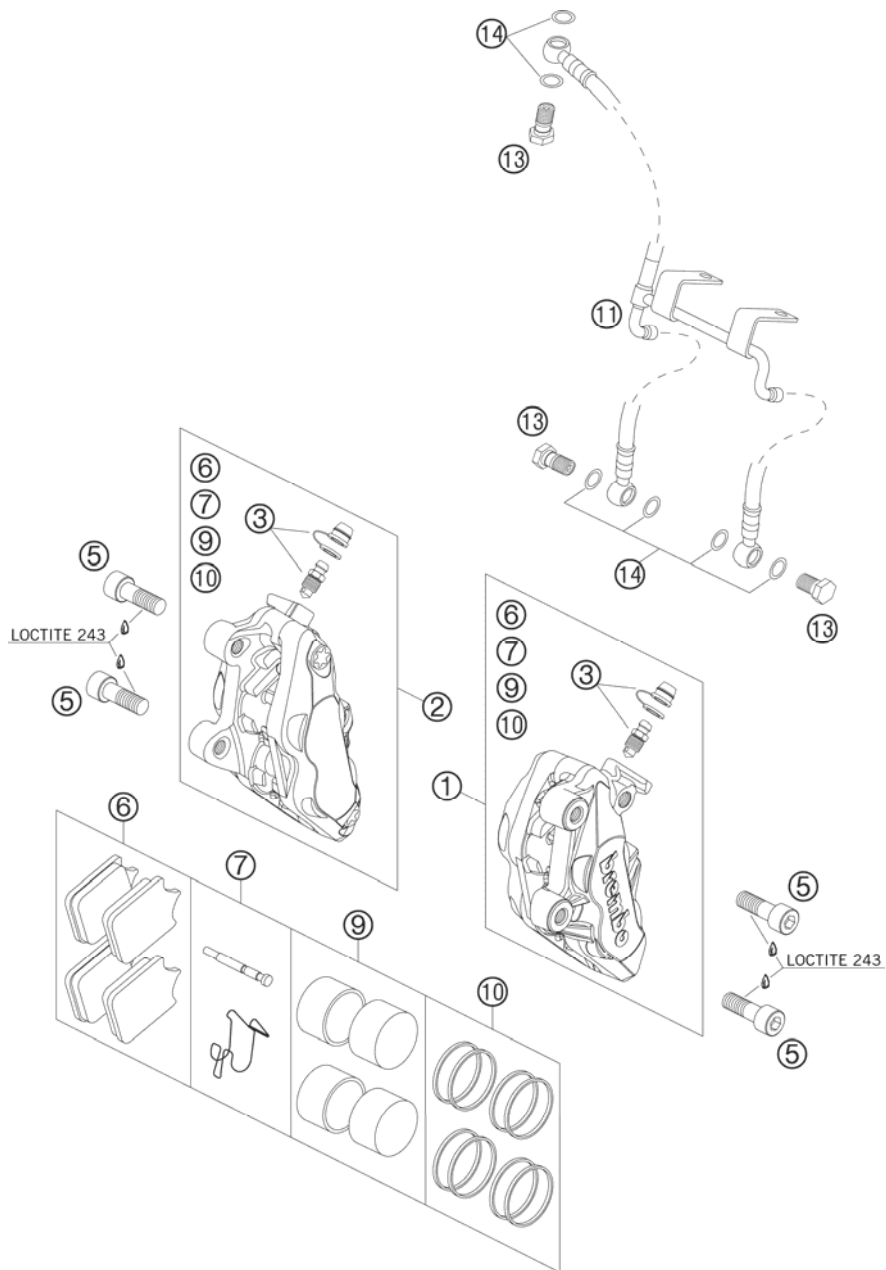


FIG	PART NUMBER	DESCRIPTION	QTY
1*	61013015100	BRAKE CALIPER FRONT L/S 06	1
2*	61013016100	BRAKE CALIPER FRONT R/S 06	1
3	61013020100	BLEEDER SCREW WITH CAP	2
5	0912100309	AH SCREW DIN912 M10X30 10.9	4
6	61013030000	BRAKE PAD FR. TOSHIBA TT2172HH	x
6*	61013030100	BRAKE PAD FR. HAWK 7342-49	2
7	61013018000	BOLT AND SPRING F. BR.CALIPER	2
9	61013019000	BRAKE PISTONS 4X	2
10	61013019100	REP.KIT SEALING RINGS 4X	2
11	61013012000	BRAKE PIPE FRONT CPL. 05	1
13	50213025000	HOLLOW SCREW M10X1X19	3
14	42013226000	CU-SEAL RING DIN7603-10X16X1	6

05610132 / C066101302

* NEW PART

X AS REQUIRED

BRAKE CALIPER REAR

990 SUPERDUKE ORANGE EU 2006

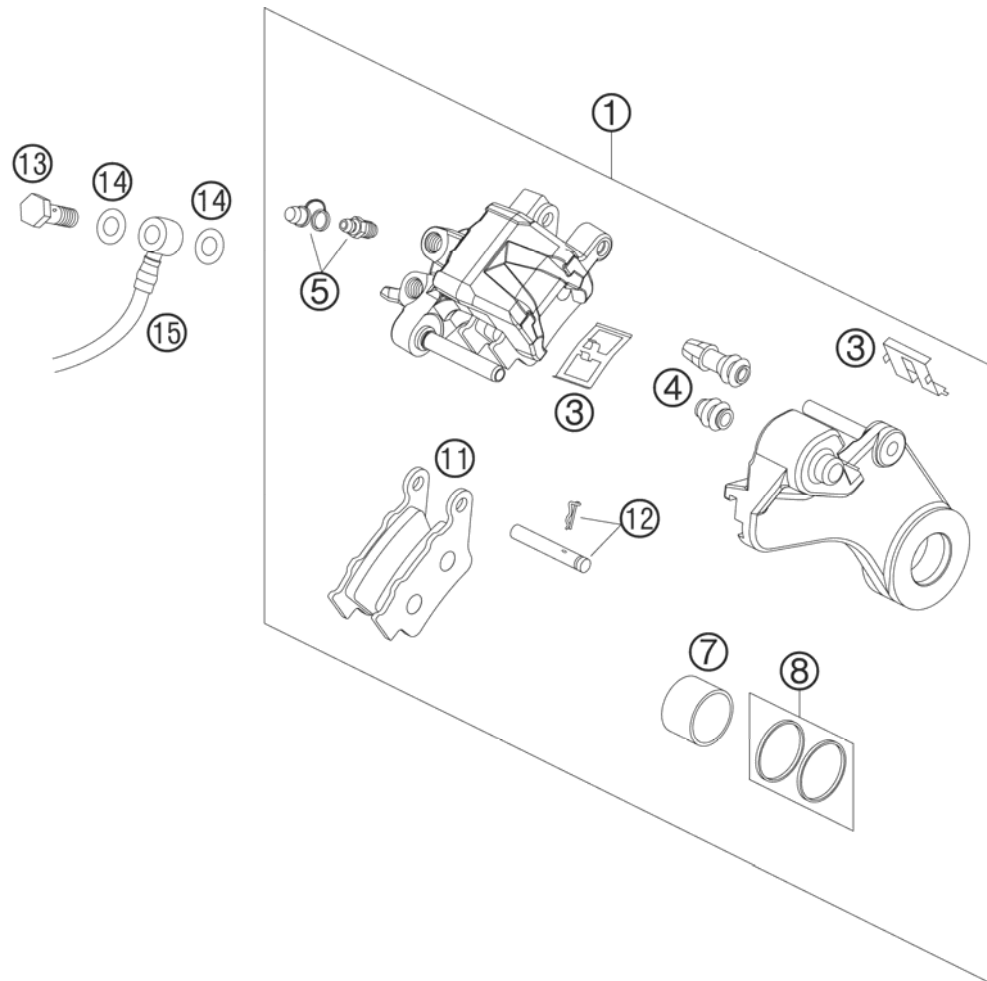


FIG	PART NUMBER	DESCRIPTION	QTY
1	6101308000	BRAKE CALIPER REAR 05	1
3	54613311200	RETAINING SPRING SET	1
4	54613218000	CUP SET SHORT	1
5	61013020200	BLEEDER SCREW WITH CAP	1
7	50313083000	BRAKE PISTON 32MM	1
8	50313081000	REPAIR KIT SEALING RINGS 32MM	1
11	50313090000	BRAKE PAD REAR TOSHIBA TTH38GF	1
12	61013082000	BOLT SET 05	1
13	50213025000	HOLLOW SCREW M10X1X19	1
14	42013226000	CU-SEAL RING DIN7603-10X16X1	2
15	61013072000	BRAKE PIPE REAR 05	1

05610133 / C066101303

* NEW PART

X AS REQUIRED

LIGHTING SYSTEM

990 SUPERDUKE ORANGE EU 2006

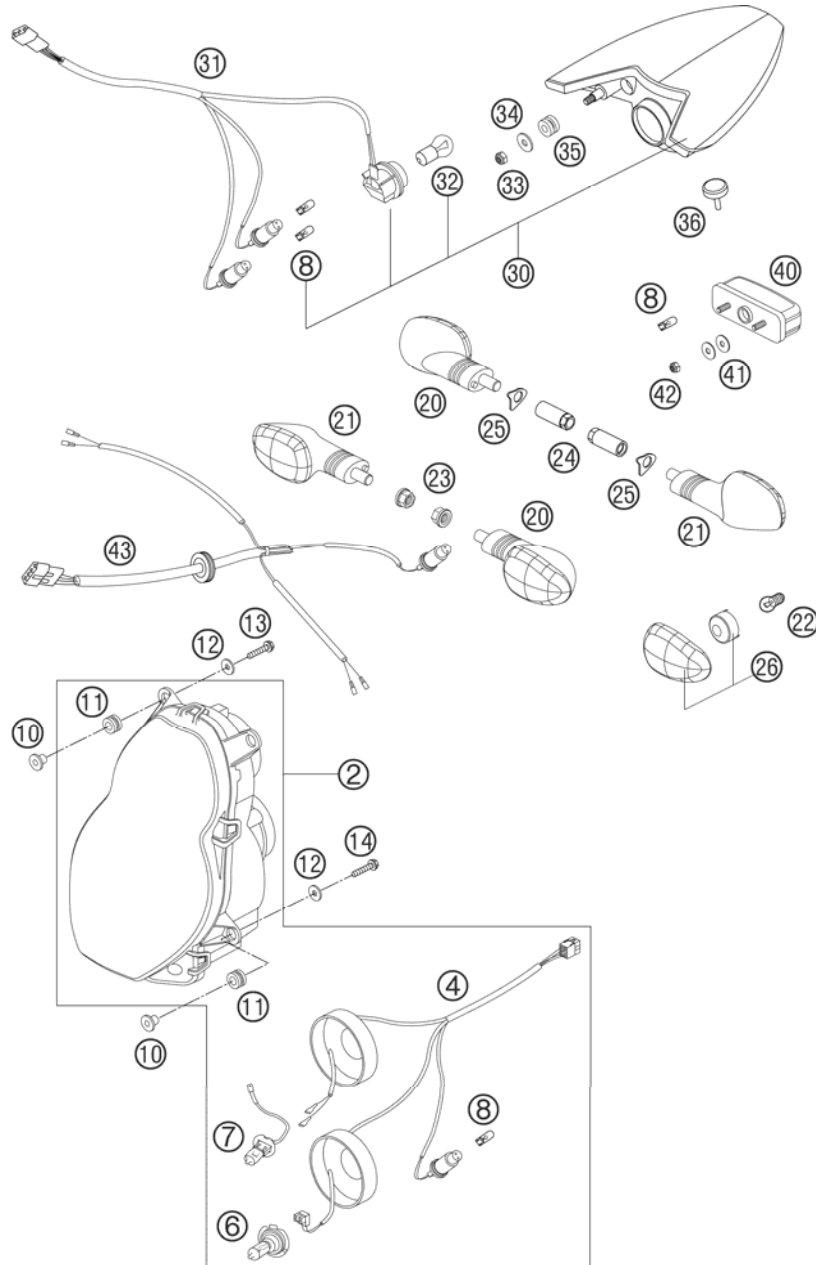


FIG	PART NUMBER	DESCRIPTION	QTY
2	60014001000	HEAD LIGHT RIGHT TR. EU 03	1
4	60014001050	HEAD LIGHT WIRING HAR. EU/GB	1
6	60014003100	BULB H7 12V 55W	1
7	60014003000	BULB H3 12V 55W	1
8	49011435100	BULB 12V 5W (W2,1X9,5D) PHIL.	4
10	60014007000	SPACER BUSHING HEAD LIGHT 03	4
11	31008008000	RUBBER GROMMIT BLACK	4
12	0021050003	WASHER DIN9021-A 5,3	4
13	0016050253	SCREW FOR PLASTIC 03	2
14	0015050203	HH COLLAR SCREW M 5X20 WS=8	2
20	58414025100	FLASHER CPL.FRONT L/S REAR R/S	2
21	58414026100	FLASHER CPL.FRONT R/S REAR L/S	2
22	44111015100	BULB 12V 10W (BA15S)	4
23	58414030000	HH COLLAR NUT M10X1,25 WS=13	2
24	61014030000	FLASHER NUT M10X1,25 WS=12	2
25	61014031000	FLASHER WASHER 05	2
26	58414028100	FLASHER LENS L/S & R/S 02	4
30	61014040000	REAR LIGHT DUKE 05	1
31	58611076100	CABLE HARNESS REAR PART 05	1
32	60014048000	BULB 12V 21W	1
33	0985060003	SELF LOCK. NUT DIN0985-M 6	2
34	0021060003	WASHER DIN9021-A 6,4	2
35	58214069051	RUBBER GROMMET 16X10,8X3 02	2
36	60006001021	DISTANCE RUBBER AIRBOX 03	1
40	58414047000	LICENSE-PLATE ILLUMINATION '98	1
41	0021050003	WASHER DIN9021-A 5,3	4
42	0985050003	SELF LOCKING NUT DIN0985-M 5	2
43	62511076000	WIRING HARNESS REAR 05	1

05610140 / C066101400

* NEW PART

X AS REQUIRED

INSTRUMENTS, LOCK SYSTEM

990 SUPERDUKE ORANGE EU 2006

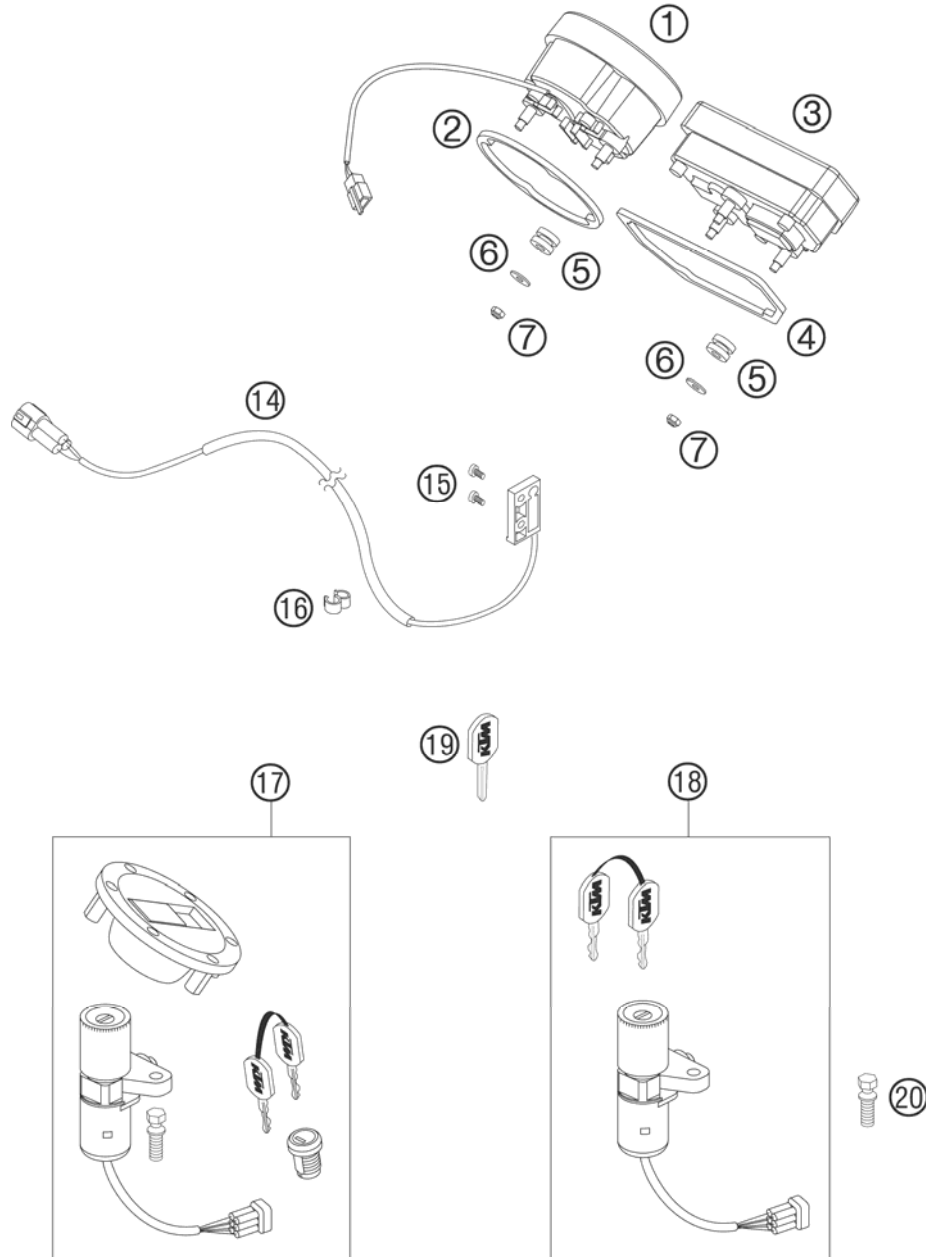


FIG	PART NUMBER	DESCRIPTION	QTY
1	60014075000	REV COUNTER LC8 03	1
2	60014068100	DAMPING RING SPEEDOMETER 03	1
3	61014069000	DIGITAL SPEEDOMETER 05	1
4	60014068000	DAMPING RING TACHOMETER 03	1
5	58214069051	RUBBER GROMMET 16X10,8X3 02	5
6	0021050003	WASHER DIN9021-A 5,3	5
7	0985050003	SELF LOCKING NUT DIN0985-M 5	5
14*	61014068000	SPEEDOMETER SENSOR 06	1
15	0084040083	CYL.HEAD SCREW DIN0084-M 4X8 A	2
16*	60111094000	CLAMP 5/7 MM 06	3
17	61011066044	LOCK SYSTEM 990 DUKE 05	1
18	60011066000	IGNITION LOCK LC8 ADV. 03	1
19	40011166100	KEY BLANK LC4/DUKE/LC8	x
20	60011064000	TAMPERPROOF SCREW F. IGN. LOCK	2

066101403 / C066101403

* NEW PART

X AS REQUIRED

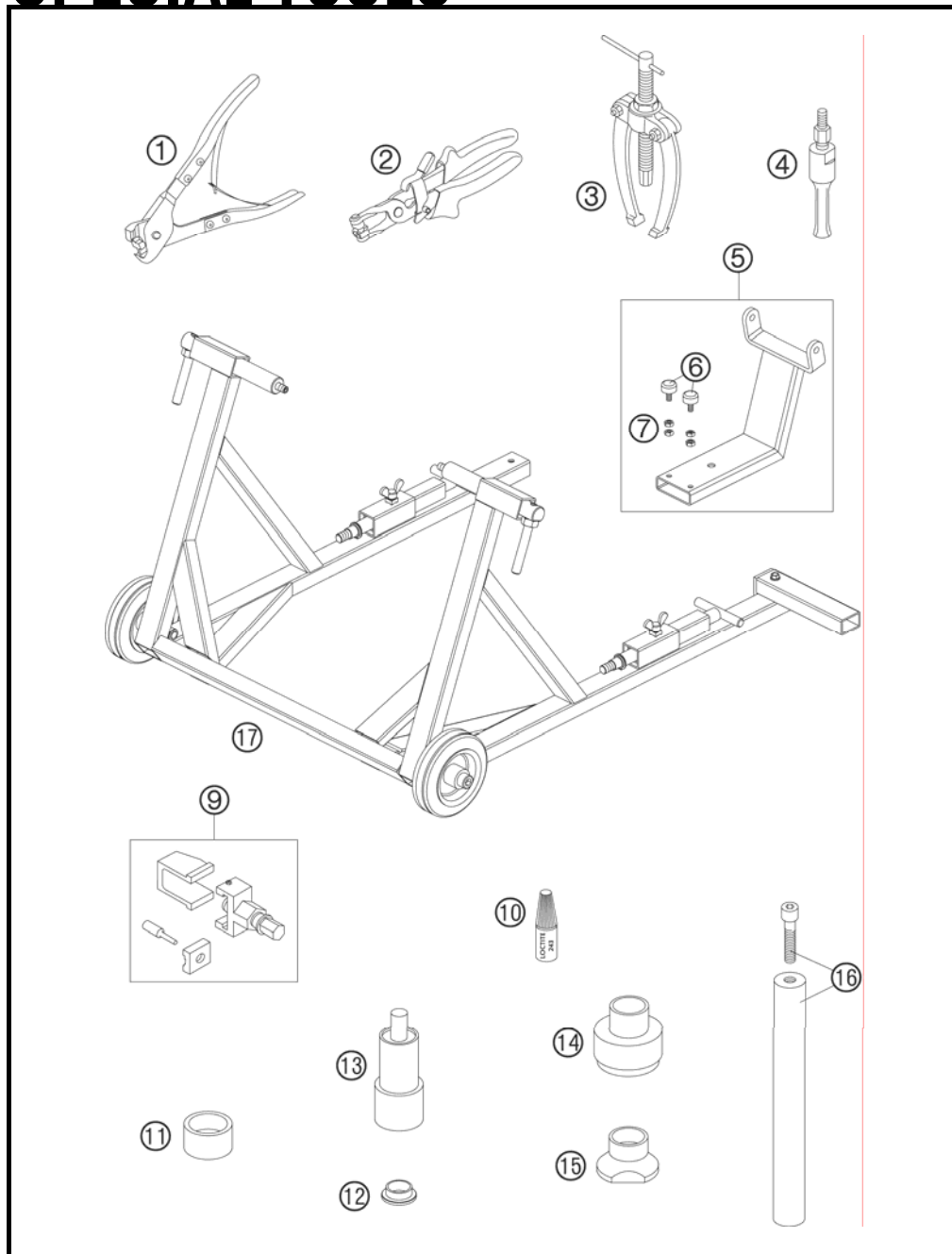


FIG	PART NUMBER	DESCRIPTION	QTY
1	60029057000	PLIERS F. VAR.ONE-EAR CLAMP 03	1
2	60029057100	PLIERS F. CLAMP 03	1
3	15112017000	BUSHING EXTRACTOR	1
4	60029018000	INTERN.BEAR.PULLER 28 MM	1
5	60029055100	ATTACHMENT WHEELED JACK 03	1
6	58303070000	STOP RUBBER M8	2
7	09340800003	HEXAGON NUT DIN0934-M 8	4
9	60029020000	RIVET TOOL 03	1
10	6899785	LOCTITE 243 BLUE 6CCM	1
11	60029056000	ANVIL DOLLY 03	1
12	60010013000	SPACER BUSH. REAR WHEEL R/S 03 FOR SWINGARM BEARING	1
13	58429086000	PRESS. TOOL F. LINK BEAR. LC4	1
14	58429091000	MOUNT.TOOL STEER.HEAD BEAR.LC4	1
15	58429092000	DISMOUNT. TOOL F. BEARINGS LC4	1
16	58429089000	HOLDING TOOL CHASSIS LC4	1
17	62529055000	VEHICLE STAND 05	1

056251900 / C066101900

* NEW PART

X AS REQUIRED







KTM-Sportmotorcycle AG
A-5230 Mattighofen
www.ktm.at

KTM Group Partner



3CF9803F4EN



Art.Nr.: 3CF9803F4EN 11/2005