

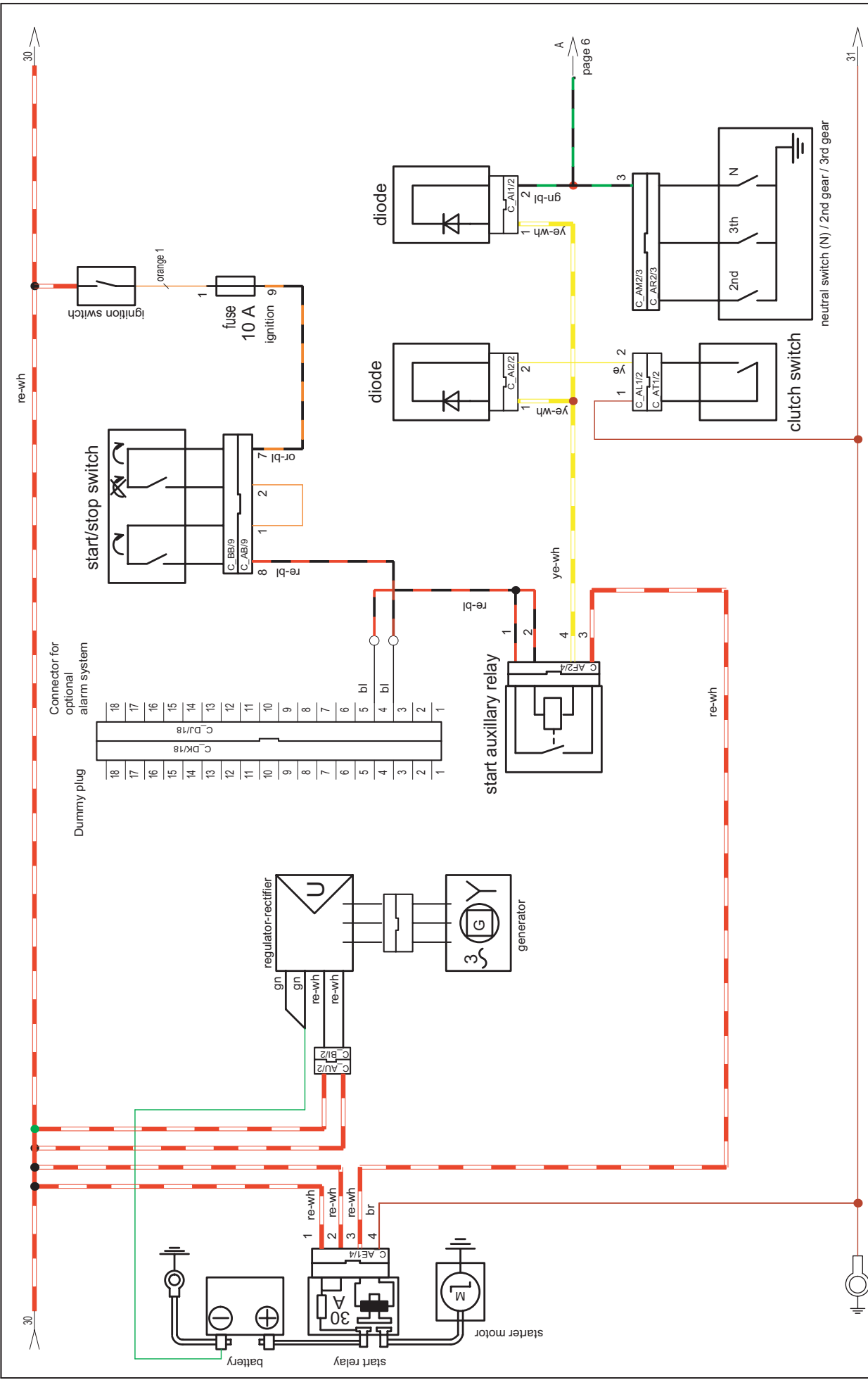
NOTE to the connector designations:

The connector designations are comprised of letters and numbers - e.g.: **C_AA1/20**

- The 1st position **C** stands for connector (connector).
- The 2nd and 3rd positions **AA** stand for the connector type.
- The 4th position numbers the same type of connector if the connector is used for different applications.
- The 5th and 6th positions **20** specify the number of pins in the connector, in this case 20 poles. The 5th position is not required for connectors with less than 10 pins.

Cable colours


bl: black
ye: yellow
bu: blue
gn: green
re: red
wh: white
br: brown
or: orange
pi: pink
gr: grey
pu: purple




990 Super Duke 2006

battery generator starter


ignition switch

	r-w	r-w	r-w	o	y-r	r
ON 	●	●	●	●	●	●
OFF						
LOCKED						

start switch

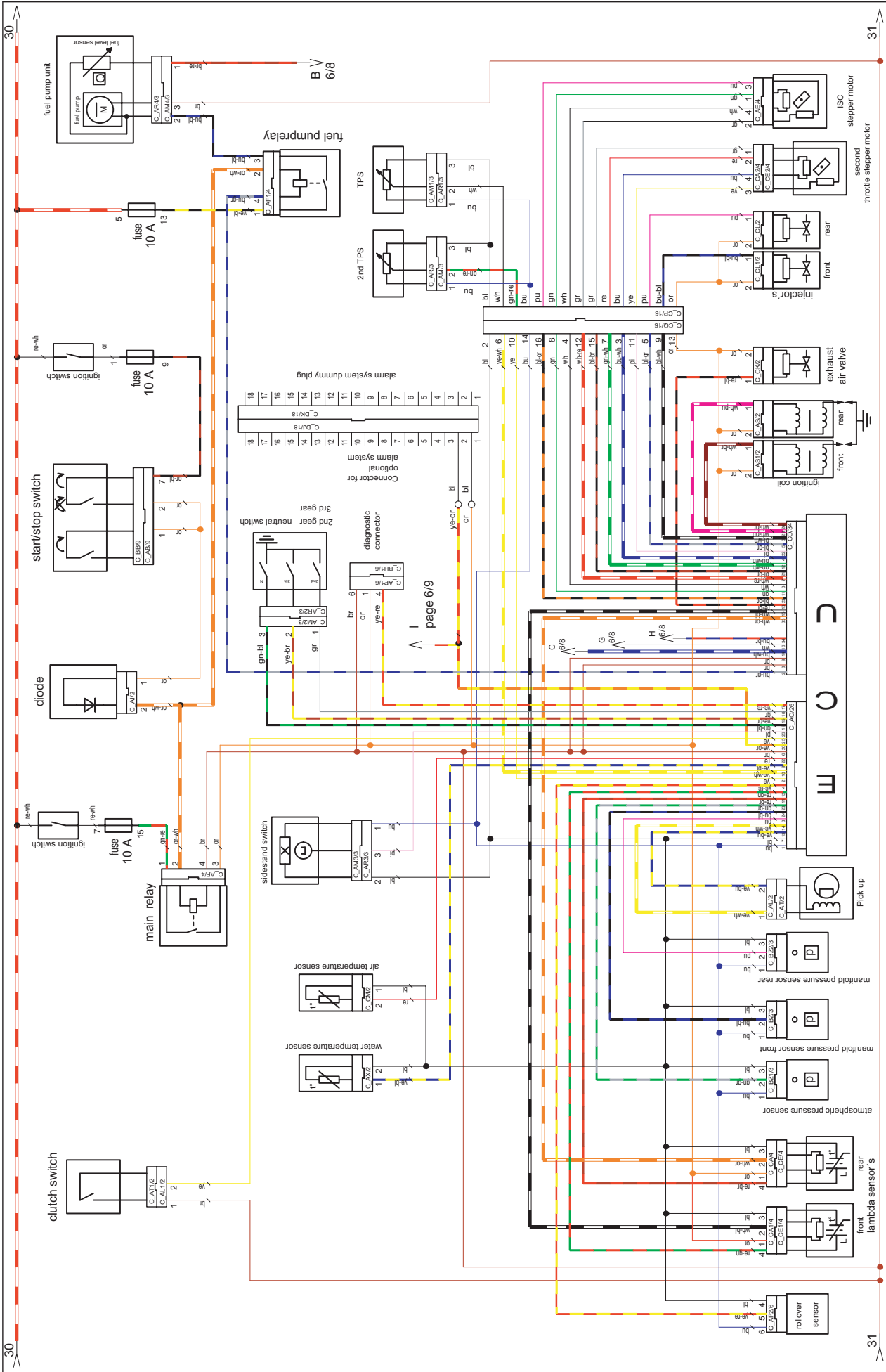
cable harness	or	bl-or
cable switch	bl-bu	bl
START 	●	●
unpushed		

stop switch


cable harness	or -bl	or
cable switch	bl	bl -bu
RUN 	●	●
STOP		

clutch switch


switch position	ye	br
pulled	●	●
unpulled		




ignition switch

	r-w	r-w	r-w	o	y-r	r
ON 	●	●	●	●	●	●
OFF						
LOCKED						

start switch

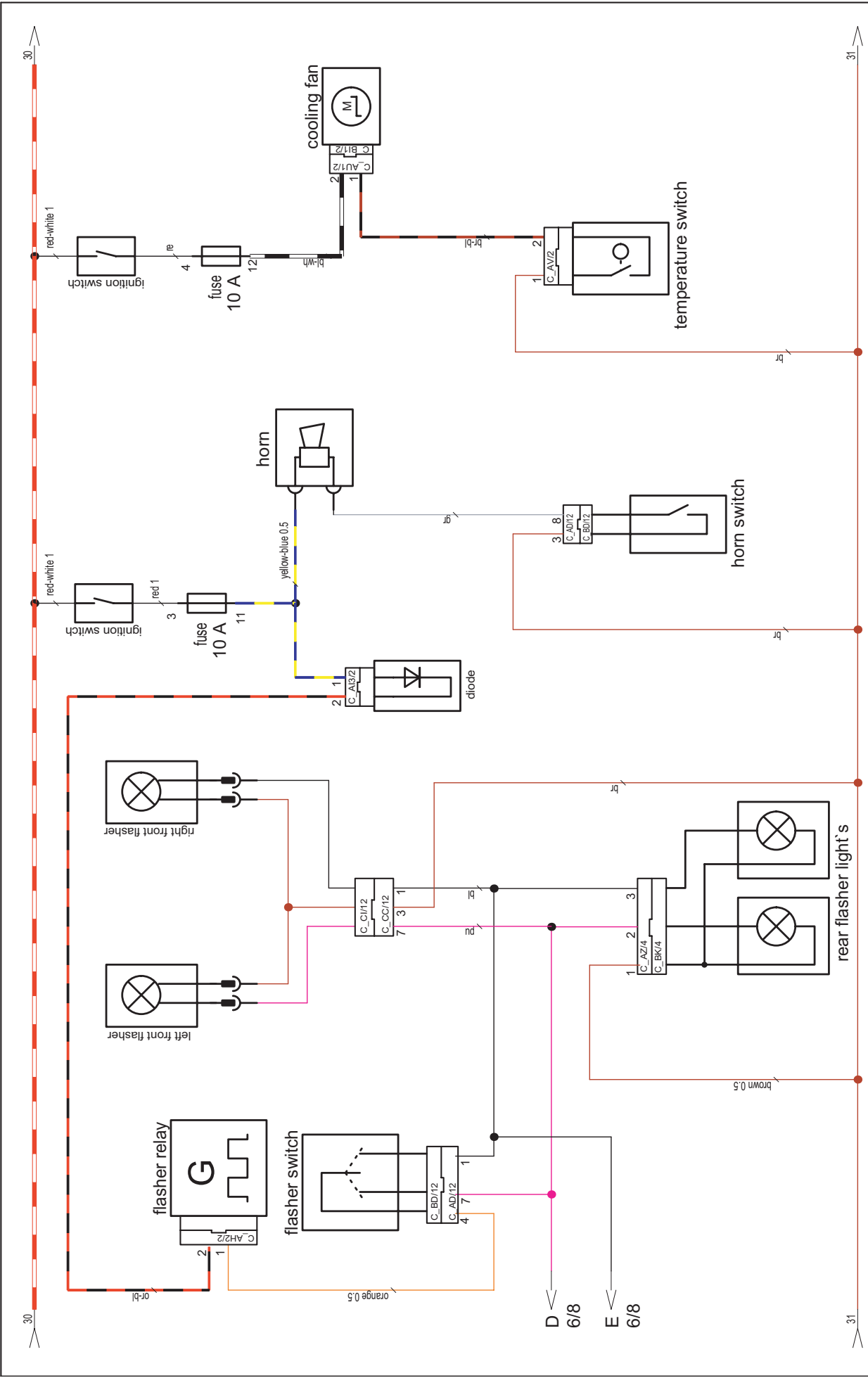
cable harness	or	bl-or
cable switch	bl-bu	bl
START 	●	●
unpushed		

stop switch

cable harness	or -bl	or
cable switch	bl	bl -bu
RUN 	●	●
STOP		

clutch switch


switch position	ye	br
pulled	●	●
unpulled		





990 Super Duke 2006

turn signal , horn , fan


ignition switch

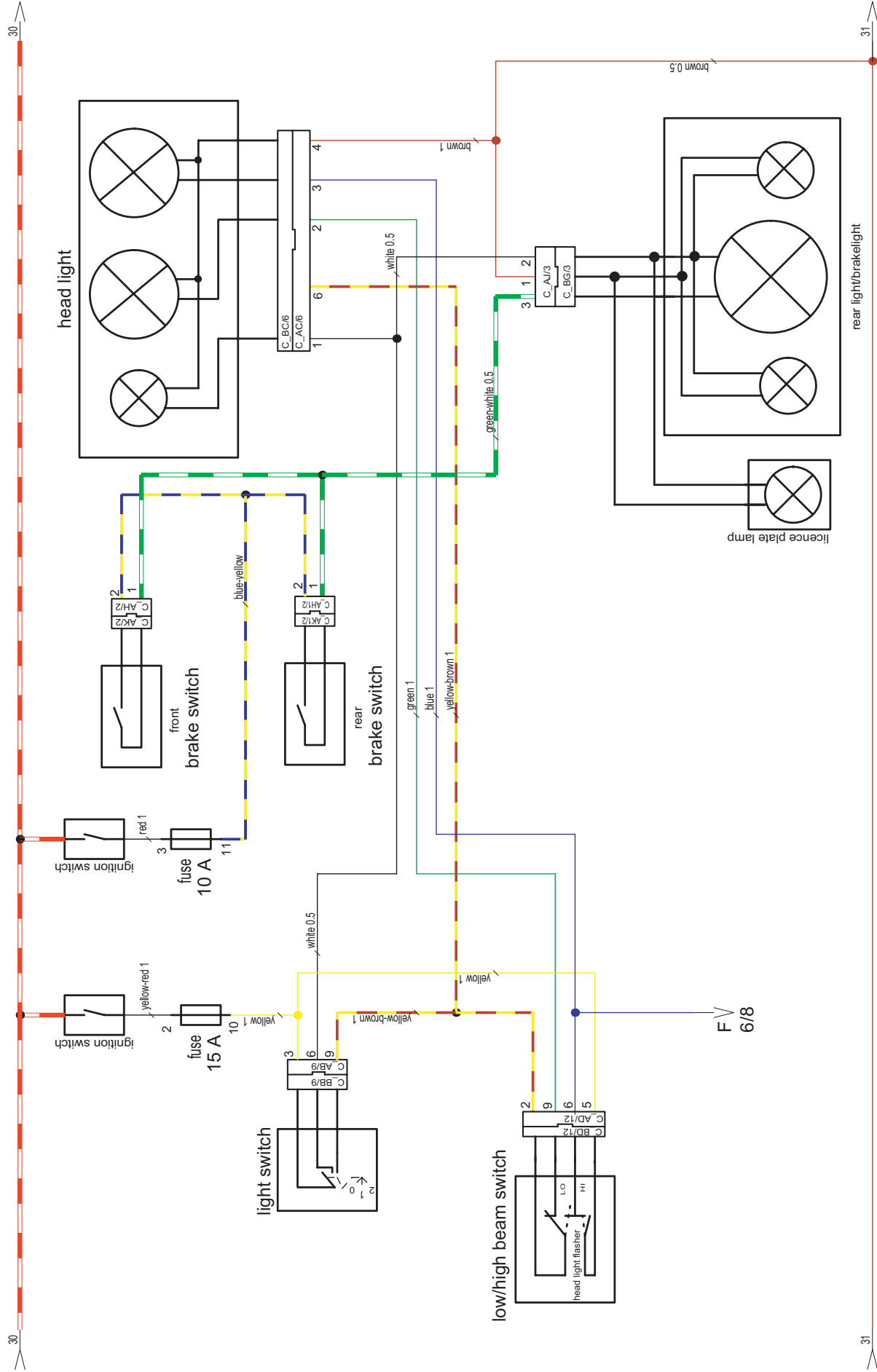
	r-w	r-w	r-w	o	y-f	r
ON 	●	●	●	●	●	●
OFF						
LOCKED						

flasher switch

cable harness	or	pu	bl	gr	br
cable switch	gn-br	bu-re	bu-bl	pi	br-pi
TURN L 	●	●			
TURN R 	●	●			
OFF					

horn switch


cable harness	gr	br
cable switch	pi	br-pi
HORN 	●	●
OFF		




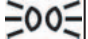
990 Super Duke 2006

light-brake system

ignition switch

	r-w	r-w	r-w	o	y-r	r
ON 	●	●	●	●	●	●
OFF						
LOCKED						



light switch

cable harness	ye-br	wh	ye
cable switch	ye-wh	wh	re-ye
LIGHT OFF			
P. LIGHT 		●	●
LIGHT 	●	●	●


brake switch

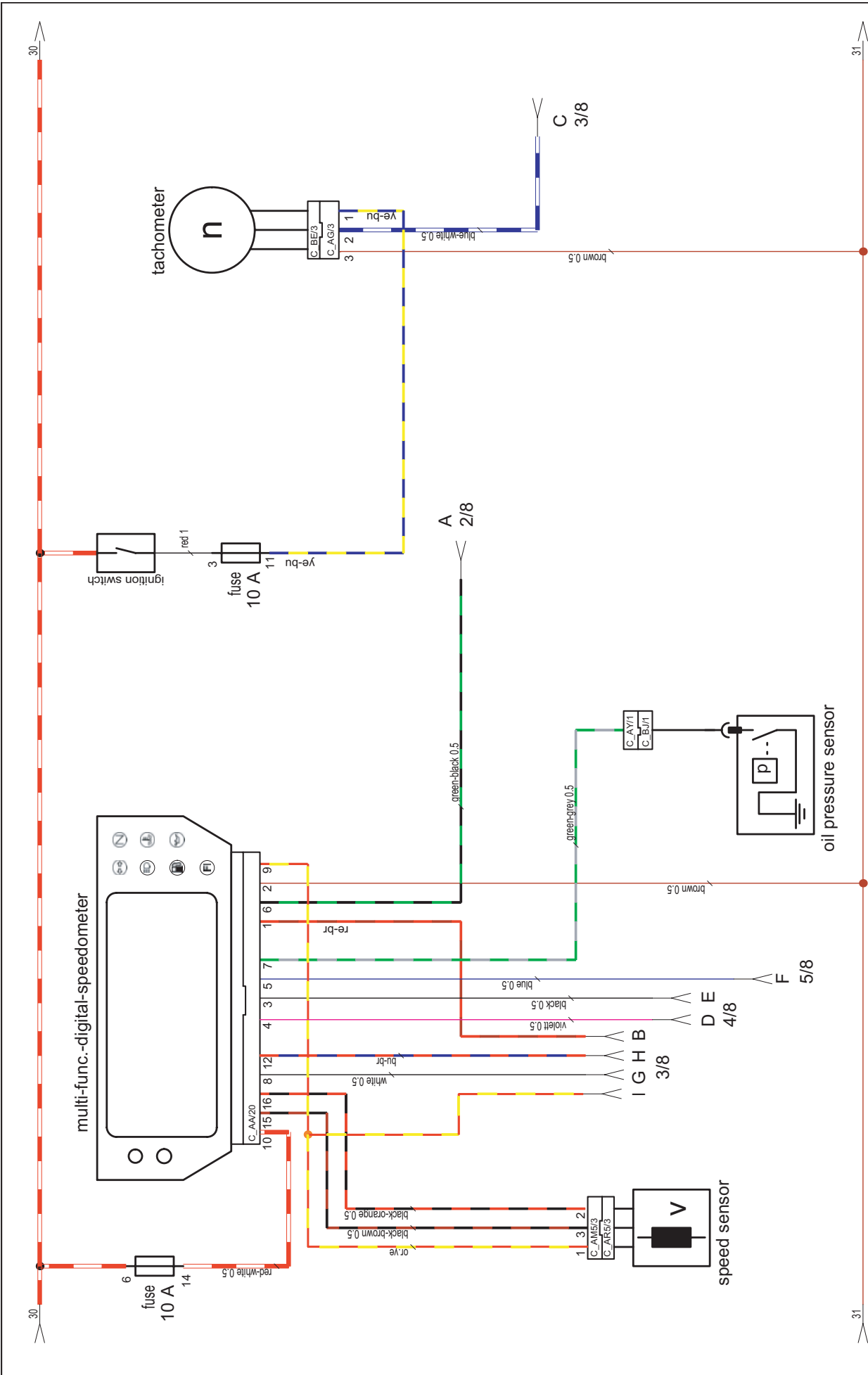
cable harness	gn-wh	ye-bu
cable switch	bl	bl
pushed	●	●
unpushed		

high/low beam switch

cable harness	bu	gn	ye-br
cable switch	wh	ye	gn-re
LO 		●	●
HI 	●	●	●

passing light


cable harness	ye	bu
cable switch	gn-bl	wh
P. HORN 	●	●
OFF		

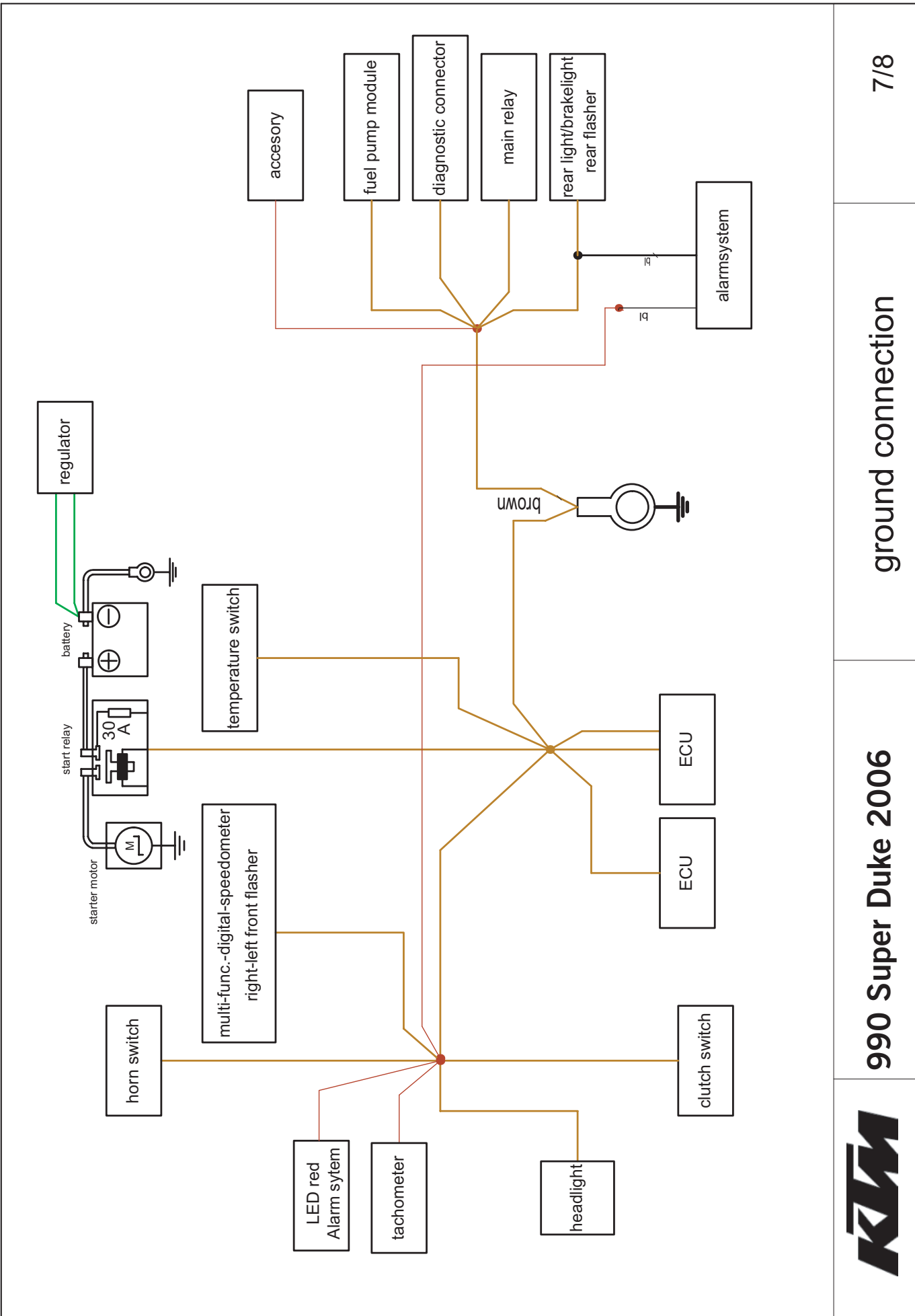


990 Super Duke 2006

instruments-tachometer

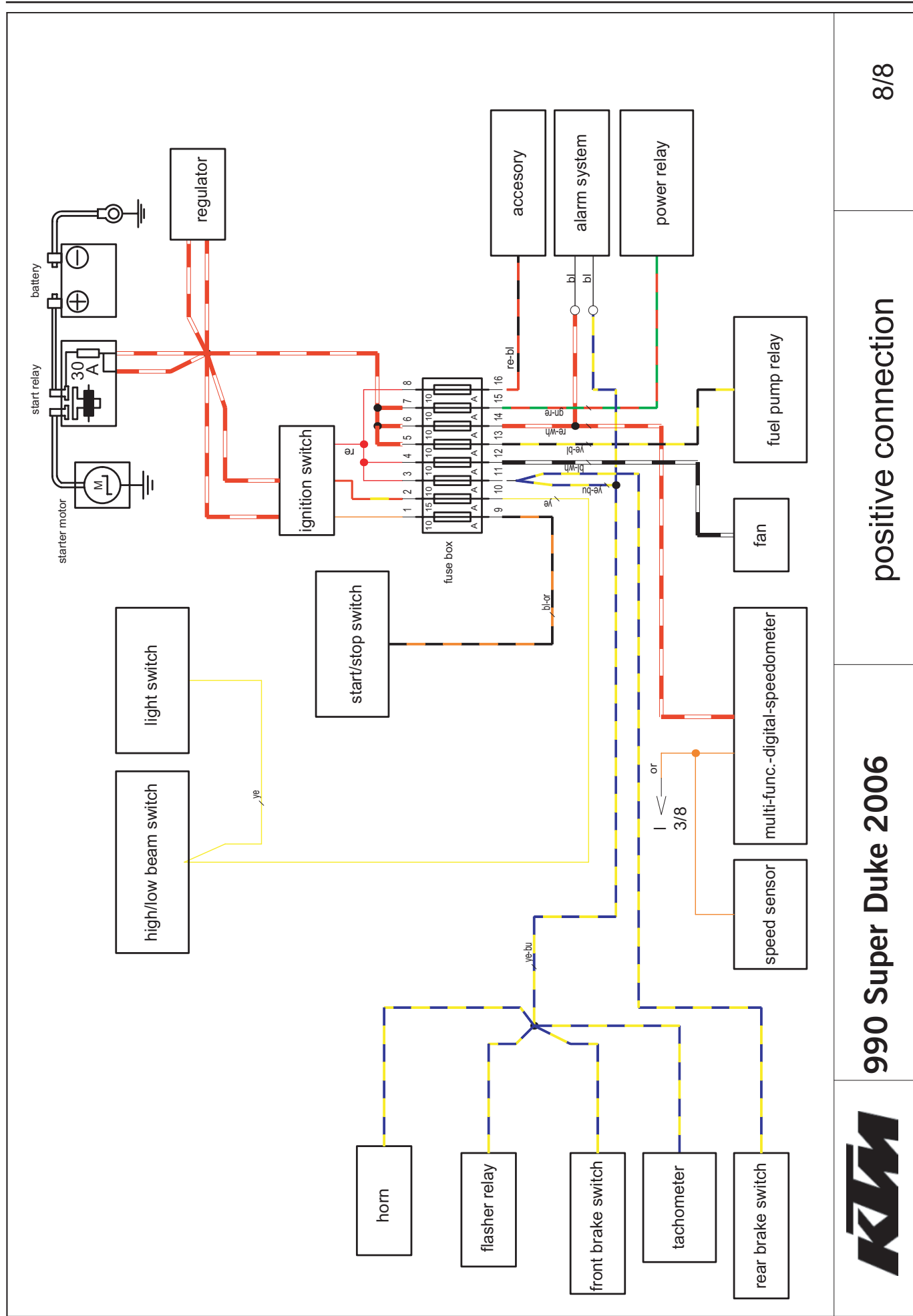
ignition switch

	r-w	r-w	r-w	o	y-r	r
ON 	●	●	●	●	●	●
OFF						
LOCKED						



990 Super Duke 2006

ground connection



990 Super Duke 2006

positive connection