

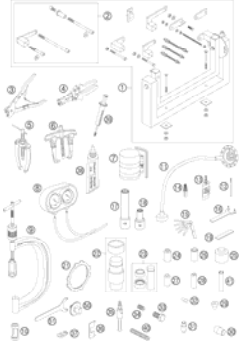
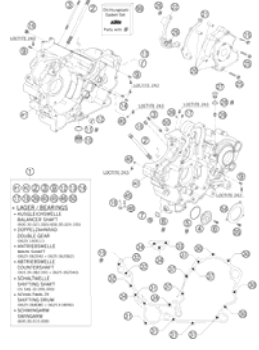
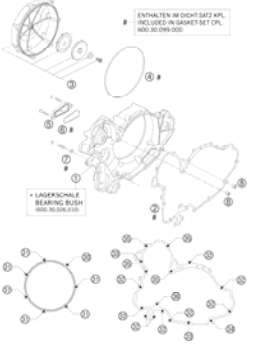

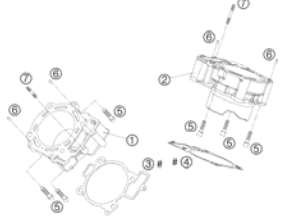
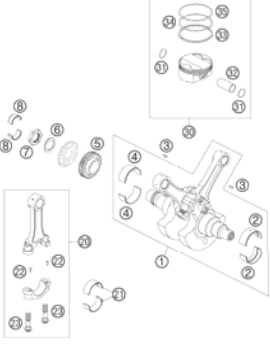



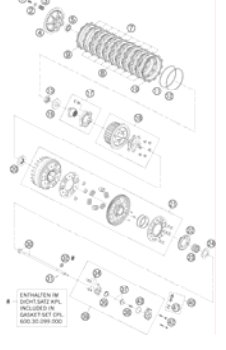


950 SUPERMOTO 2007


SPARE PARTS MANUAL: ENGINE

ART.NO.: 3CM089830GEN

ENGLISH



SPECIAL TOOLS  4	ENGINE CASE  6	CLUTCH COVER  8	BALANCER SHAFT  9
CYLINDER  10	CRANKSHAFT, PISTON  11	SECONDARY AIR SYSTEM  12	CARBURETOR  13
ELECTRONIC POWER CONTROL  15	CLUTCH  16	TRANSMISSION I - MAIN SHAFT  17	TRANSMISSION II - COUNTERSHAFT  18

		<p>All information contained is without obligation. KTM-Sportmotorcycle AG particularly reserves the right to modify any equipment, technical specifications, prices, colors, shapes, materials, services, service work, constructions, equipment and the like so as to adapt them to local conditions or to cancel any of the above items, all without previous announcement and without giving reasons. KTM may stop manufacturing certain models without previous notice. KTM shall not be held liable for any deviations of availability and/or ability to deliver, illustrations, descriptions, printing and/or other errors. The illustrated models partly contain extra equipment, which is not applied to standard models. © by KTM-SPORTMOTORCYCLE AG, Mattighofen AUSTRIA; All rights reserved; Reprint, also in extracts, with written allowance of KTM-SPORTMOTORCYCLE AG, Mattighofen only.</p>	

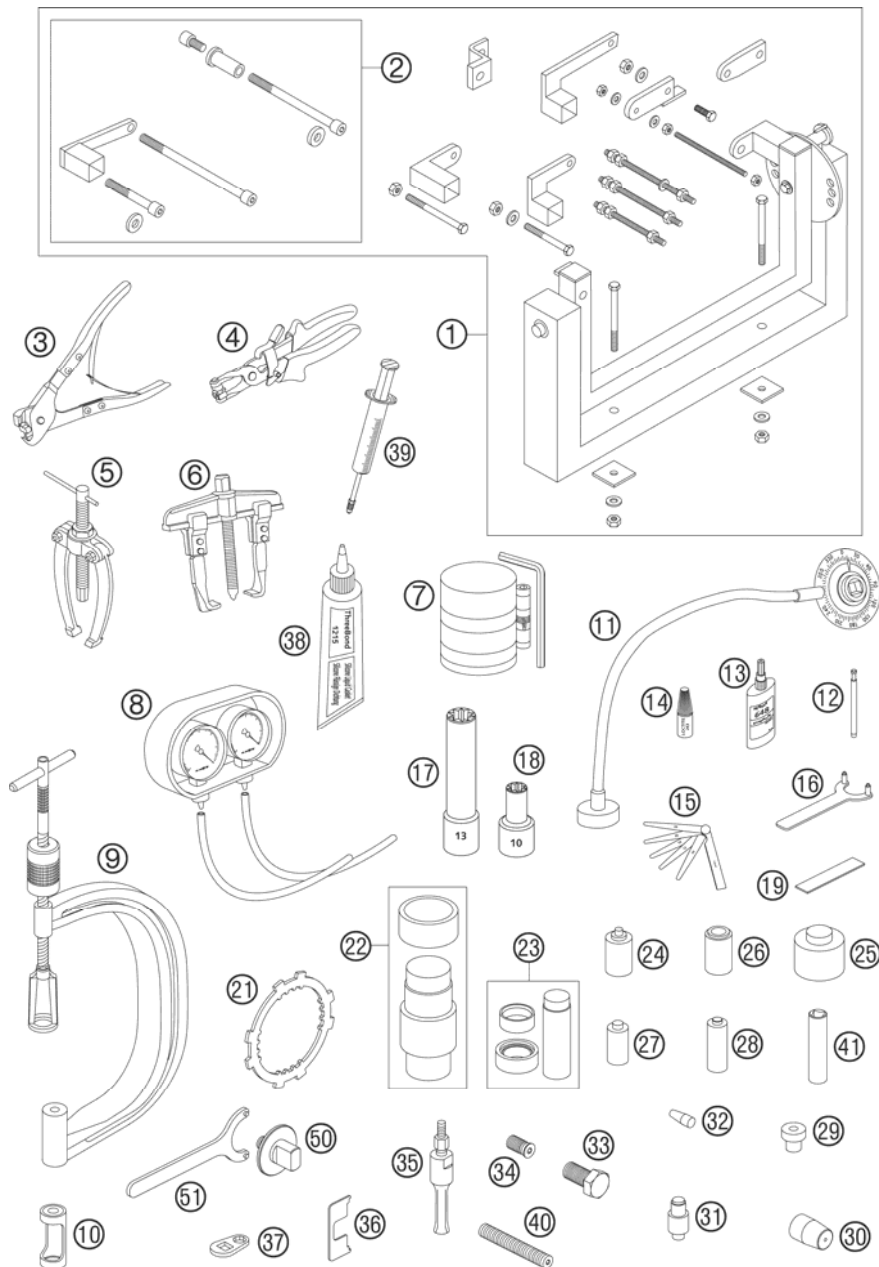


FIG	PART NUMBER	DESCRIPTION	QTY
1	56012001044	UNIVERSAL MOUNTING RACK CPL.	1
2	60029002000	ENGINE BRACKET FOR LC8 03	1
3	60029057000	PLIERS F. VAR.ONE-EAR CLAMP 03	1
4	60029057100	PLIERS F. CLAMP 03	1
5	15112017000	BUSHING EXTRACTOR	1
6	60029033000	EXTRACTOR PRIM. GEAR	1
7	60029015000	PISTON RING COMPRESSOR CPL. 03	1
8	60029011000	SYNCHRONIZER CPL. 2-CYLINDER	1
9	59029019000	VALVE SPRING LEVER	1
10	60029041000	INSERT FOR VALVE SPRING LEVER	1
11	60029010000	DEGREE DISK 360DEG - 1/2 INCH	1
12	59029026006	LIMIT PLUG GAUGE F.VALVE GUIDE	1
13	58429059000	LOCTITE 648 GREEN 24ML	x
14	6899785	LOCTITE 243 BLUE 6CCM	x
15	59029041000	FEEL. GAUGE SET 10,12,15,20,25	1
16	60029082000	HOLDER FOR WATER PUMP WHEEL	1
17	60029083000	SPECIAL SOCKET F. CYLINDER NUT	1
18	60029075000	SPECIAL SOCKET F.CYL.-HEAD NUT	1
19	60029012000	PLASTIGAUGE - MEASURING STRIP	1
21	60029003000	BRACKET FOR CLUTCH	1
22	60029044050	PRESS TOOL FOR MAIN BEARING	1
23	60029046028	PRESS TOOL F. SUPPORT BEARING	1
24	60029043010	SEAL.RING PRESS PUNCH PUSH ROD	1
25	60029043020	SEAL.RING PRESS PUNCH COUNT.SH	1
26	60029043040	SEAL.RING PRESS PUNCH WAT.PUMP	1
27	60029043050	SEAL.RING PRESS PUNCH BA.SHAFT	1
28	60029043060	PRESS PUNCH WAPU-BEARING	1
29	60029031000	PRESSURE PUNCH F. CRANKSHAFT	1
30	60029005000	MOUNT.SLEEVE F. SH. SEAL RING	1
31	60029043030	PRESS PUNCH SEAL.RING/BEARING	1
32	58529005000	MOUNT.SLEEVE F. SH.S.RING WAPU	1
33	60029009000	FLYWHEEL EXTRACTOR	1
34	60029009110	PUSH SCREW F. FLYWH. EXTRACTOR M16X1,5	1
35	60029018000	INTERN.BEAR.PULLER 28 MM	1
36	60029016000	SETTING GAGE F. FLOAT LEVEL	1

05600290 / C056252900

* NEW PART

X AS REQUIRED

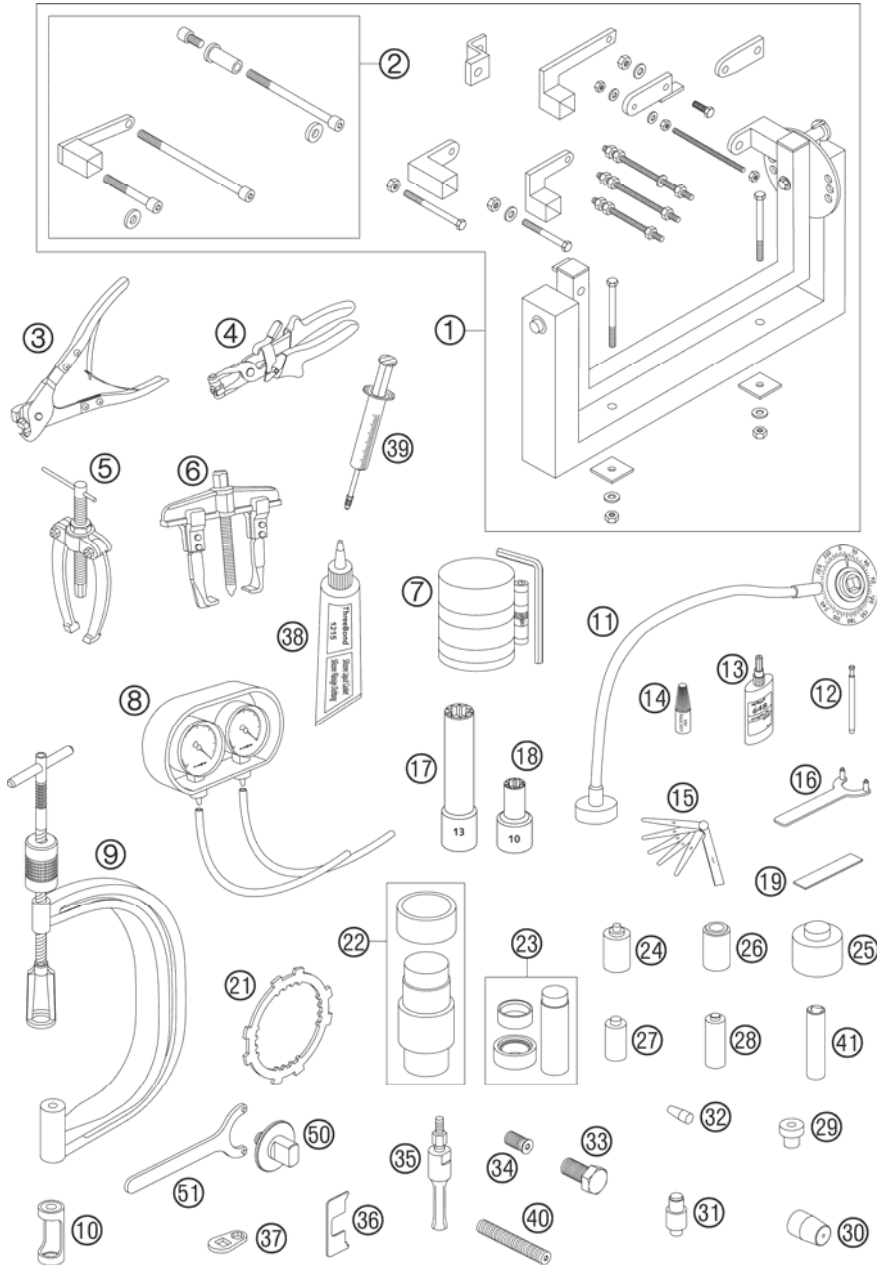


FIG	PART NUMBER	DESCRIPTION	QTY
37	60029081000	WRENCH FOR CYLINDER-HEAD SCREW	1
38	309098	SILICON GASKET THREE-BOND	1
39	50329050000	VENT INJEKTION HYDR. CLUTCH	1
40	0113080802	ENGINE BLOCKING SCREW	1
41	60029073000	SPARK PLUG WRENCH 16MM 1/2INCH	1
50	60029050000	BOTTOM PART PRETENSIONING TOOL	1
51	60029051000	HOOK WRENCH PRETENS.TOOL CPL.	1

05600290 / C056252900

* NEW PART

X AS REQUIRED

ENGINE CASE

950 SUPERMOTO 2007

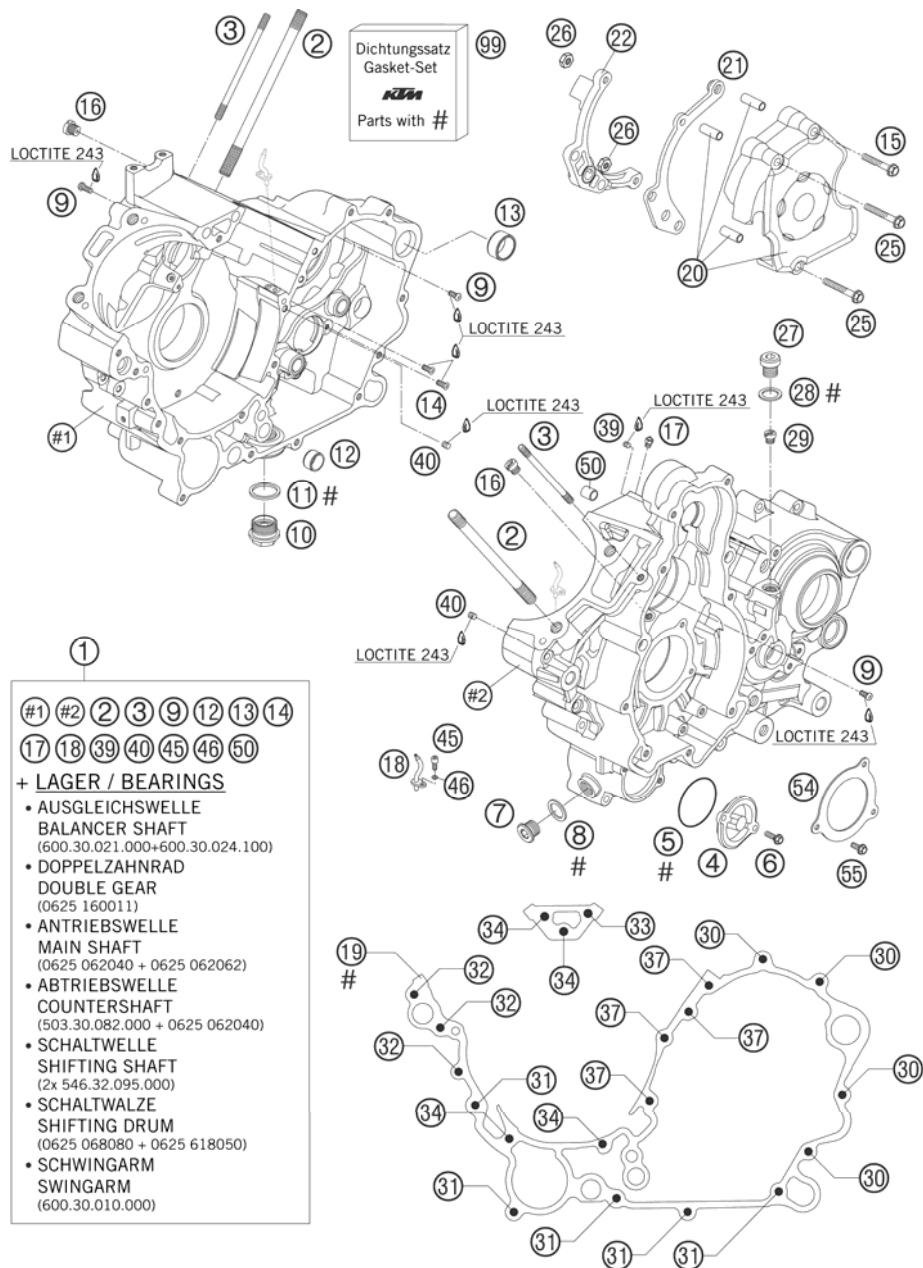


FIG	PART NUMBER	DESCRIPTION	QTY
1	60030000144	ENGINE CASE CPL. W.BEARINGS 05	1
2	60030043100	STUD M10X161 06	8
3	60030043010	STUD M 6X101 10.9 03	2
4	59038041000	OIL FILTER COVER RACING	1
5	0770400025	O-RING 40,00X2,50 NBR 70	1
6	0015050163	HH COLLAR SCREW M 5X16 WS=8	2
7	60038033050	PLUG SCREW M14X1,5 ALU AH	1
8	0603142016	CU-SEAL RING 14X20X1,5 LC8 02	1
9	0018050103	INT. TORX OVAL HEAD M 5X10 8.8	3
10	58038019050	DRAIN PLUG W. MAGNET	1
11	58038017100	CU-SEAL RING DIN7603-22X27X2	1
12	58330023000	DOWEL 17 X 14 X 9,5	1
13	60030023000	DOWEL 20,1X24X12 03	1
14	0019050103	INT. TORX FLAT HEAD M 5X10 8.8	2
15	0015060303	HH COLLAR SCREW M 6X30 WS=8	1
16	59030054000	JET 60 DELLORTO M6X0,75	2
17	60030063070	OIL JET 70 M5	2
18	60030064000	OIL INJECT.TUBE CURVED "70" 05	2
19	60030039100	ENGINE CASE GASKET 0,5MM 05	1
20	60030060044	CHAIN SPROCKET COVER CPL. 03	1
21	61030047000	CHAIN SECURING GUIDE KPL. 05	1
22	60032063000	ADAPTER F. HYDR. CLUTCH 03	1
25	0015060353	HH COLLAR SCREW M 6X35 WS=8	2
26	0985060003	SELF LOCK. NUT DIN0985-M 6	2
27	49030029000	OIL DRAIN PLUG M10X1,5 AH-WS=6	1
28	0603100141	COPPER GASKET DIN7603-10X14X1	1
29	60038029000	REDUCING JET "30" M6X0,75	1
30	0015060403	HH COLLAR SCREW M 6X40 WS=8	4
31	0015060603	HH COLLAR SCREW M 6X60 WS=8	5
32	0015060653	HH COLLAR SCREW M 6X65 WS=8	3
33	0015060703	HH COLLAR SCREW M 6X70 WS=8	1
34	0015060753	HH COLLAR SCREW M 6X75 WS=8	4
37	0015060903	HH COLLAR SCREW M 6X90 WS=8	4
39	0916050042	THREAD PIN DIN916 M5X4-45H	2
40	0551060050	THREAD PIN DIN0551-M 6X 5	2
45	0912040103	AH.SCREW DIN0912-M 4X10	2

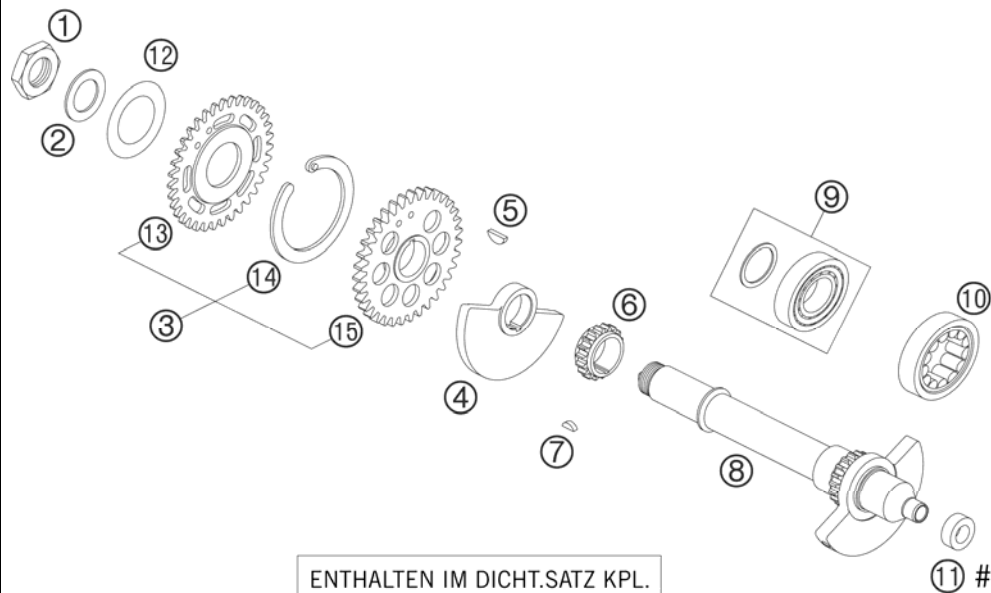
056253000 / C056253000

* NEW PART

X AS REQUIRED

BALANCER SHAFT

950 SUPERMOTO 2007



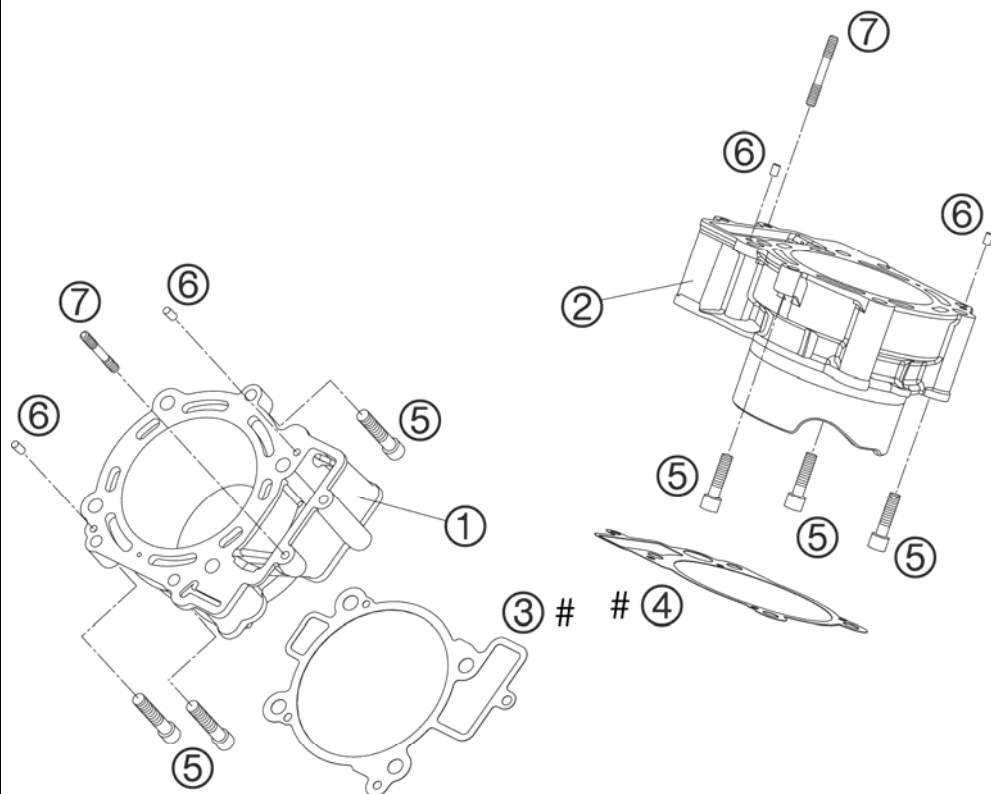
ENTHALTEN IM DICHT.SATZ KPL.
INCLUDED IN GASKET-SET CPL.
600.30.099.000

FIG	PART NUMBER	DESCRIPTION	QTY
1	60036073150	HEXAGON NUT M20X1,5 H=6MM 05	1
2	60033043000	STOP DISK 20,2 X 34 X 1	1
3	60036081000	SPREAD TRANSMISSION 05	1
4	60036074150	BALANCER WEIGHT R/S 05	1
5	0888040050	WOODRUFF KEY DIN6888 4X5X13	1
6	60036014018	TIMING GEAR 18-T 03	1
7	0888030037	WOODRUFF KEY DIN6888-3X3,7	1
8	60036073100	TIMING VALVE JACKSHAFT CPL.	1
9	60030024100	CYL. ROLLER BEAR. NUP 204E	1
10	60030021000	CYL.ROLLER BEARING 26,5X47X14	1
11	0760122050	SHAFT SEAL RING 12X20X5 B	1
12	0093463006	SPRING WASH. 30,5X46,5X0,6-1,5	1
13	60036083035	CLAMPING WHEEL 35-Z 05	1
14	60036081050	TENSION SPRING 05	1
15	60036082035	DRIVE WHEEL 35-T 05	1

056253003 / C056253003

* NEW PART

X AS REQUIRED



— ENTHALTEN IM DICHTUNGSSATZ KPL.
 INCLUDED IN GASKET-SET CPL.
 600.30.099.000

ENTHALTEN IM DICHT.SATZ ZYL.KOPF
 INCLUDED IN GASKET-SET CYL. HEAD
 600.30.097.000

FIG	PART NUMBER	DESCRIPTION	QTY
1	60030005200	CYLINDER FRONT D=100 05	1
2	60030105200	CYLINDER REAR D=100 05	1
3	60030035000	CYLINDER-BASE GASKET FR 0,35MM	1
4	60030135000	CYLINDER-BASE GASKET RR 0,35MM	1
5	0912080353	AH SCREW DIN0912-M 8X35	6
6	0474050100	GROOVED PIN DIN1474 5X10	4
7	60030043020	STUD M6X47 03	2

05600303 / C056253004

* NEW PART

X AS REQUIRED

CRANKSHAFT, PISTON

950 SUPERMOTO 2007

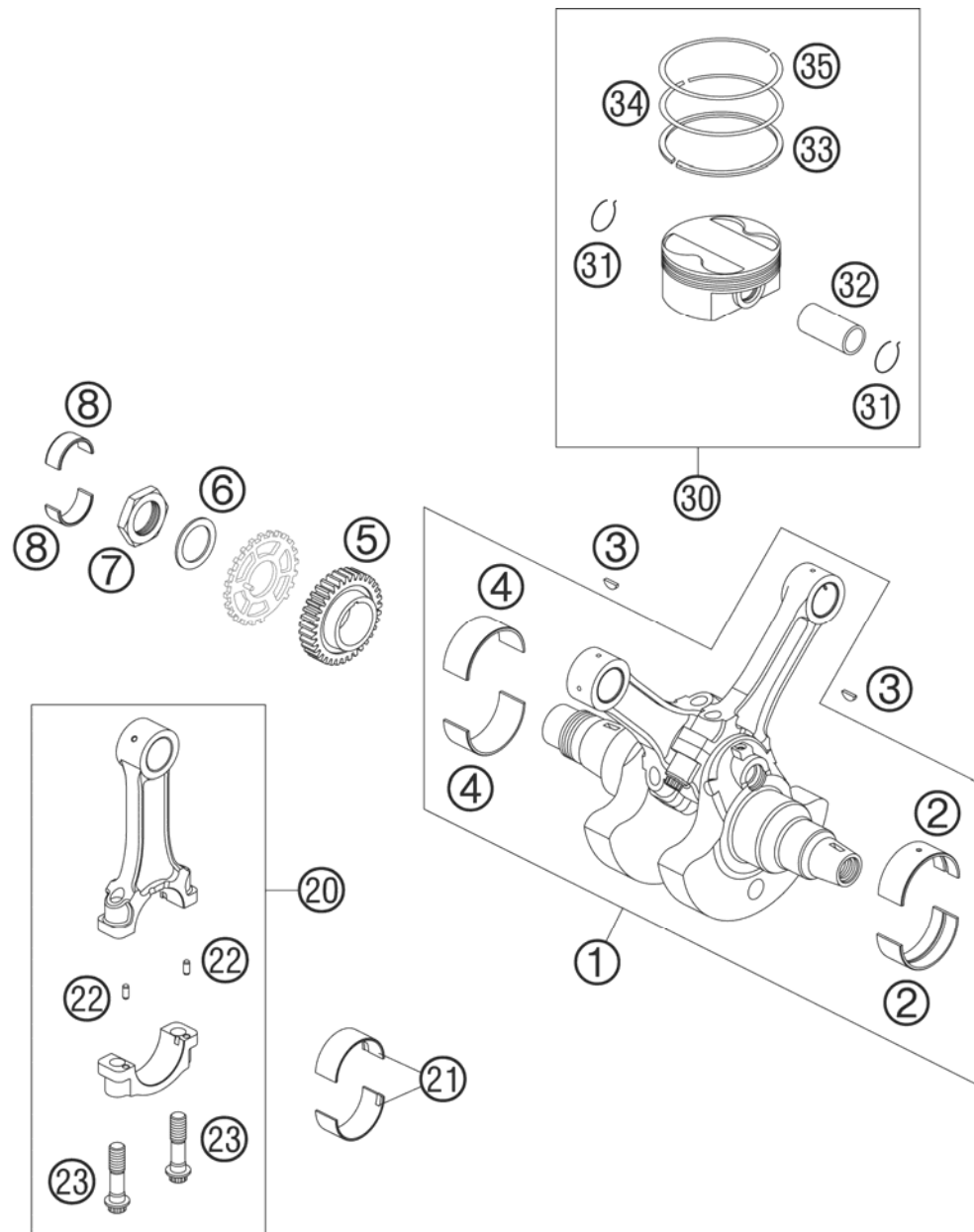


FIG	PART NUMBER	DESCRIPTION	QTY
1	60030018300	CRANKSHAFT CPL. 600-3 06	1
2	60030082000 1	SPLIT BEAR.BUSH SIZE 1 RED 03	x
2	60030082000 2	SPLIT BEAR.BUSH SIZE 2 BLUE 03	x
2	60030082000 3	SPLIT BEAR.BUSH SIZE 3 YELL.03	x
3	0888040050	WOODRUFF KEY DIN6888 4X5X13	2
4	60030182000 1	SPLIT BEAR.BUSH SIZE 1 RED 03	x
4	60030182000 2	SPLIT BEAR.BUSH SIZE 2 BLUE 03	x
4	60030182000 3	SPLIT BEAR.BUSH SIZE 3 YELL.03	x
5	60032023035	PRIMARY PINION 35 T 03	1
6	60032009040	WASHER 33,2X46X2 03	1
7	60032009050	HH-NUT M33X1,5 L/S WS46 03	1
8	60030026010	BUSHING BOWL 28X32X13 03	2
20	60030013244	CONNECTING ROD CPL. 06	2
21	60030013051	BUSH.BOWL PACK. SIZE 1 RED 03	x
21	60030013052	BUSH.BOWL PACK. SIZE 2 BLUE 03	x
21	60030013053	BUSH.BOWL PACK. SIZE 3 YELL.03	x
22	60030015061	CYLINDER PIN 03	4
23	60030015260	CONNECTING-ROD BOLT MJ10X1 06	4
30	60030007000 I	PISTON D=100 03	x
30	60030007000 II	PISTON D=100 03	x
31	58430074000	CIRCLIP 22 X 1,6	4
32	58330833000	PISTON PIN 22 X 13 X 60	2
33	60030032000	OIL SCRAPER RING D=100MM 03	2
34	60030031000	PISTON RING MIDDLE D=100MM 03	2
35	60030030000	L-PISTON RING D=100MM 1,3MM	2

05600301 / C066253003

* NEW PART

X AS REQUIRED

SECONDARY AIR SYSTEM

950 SUPERMOTO 2007

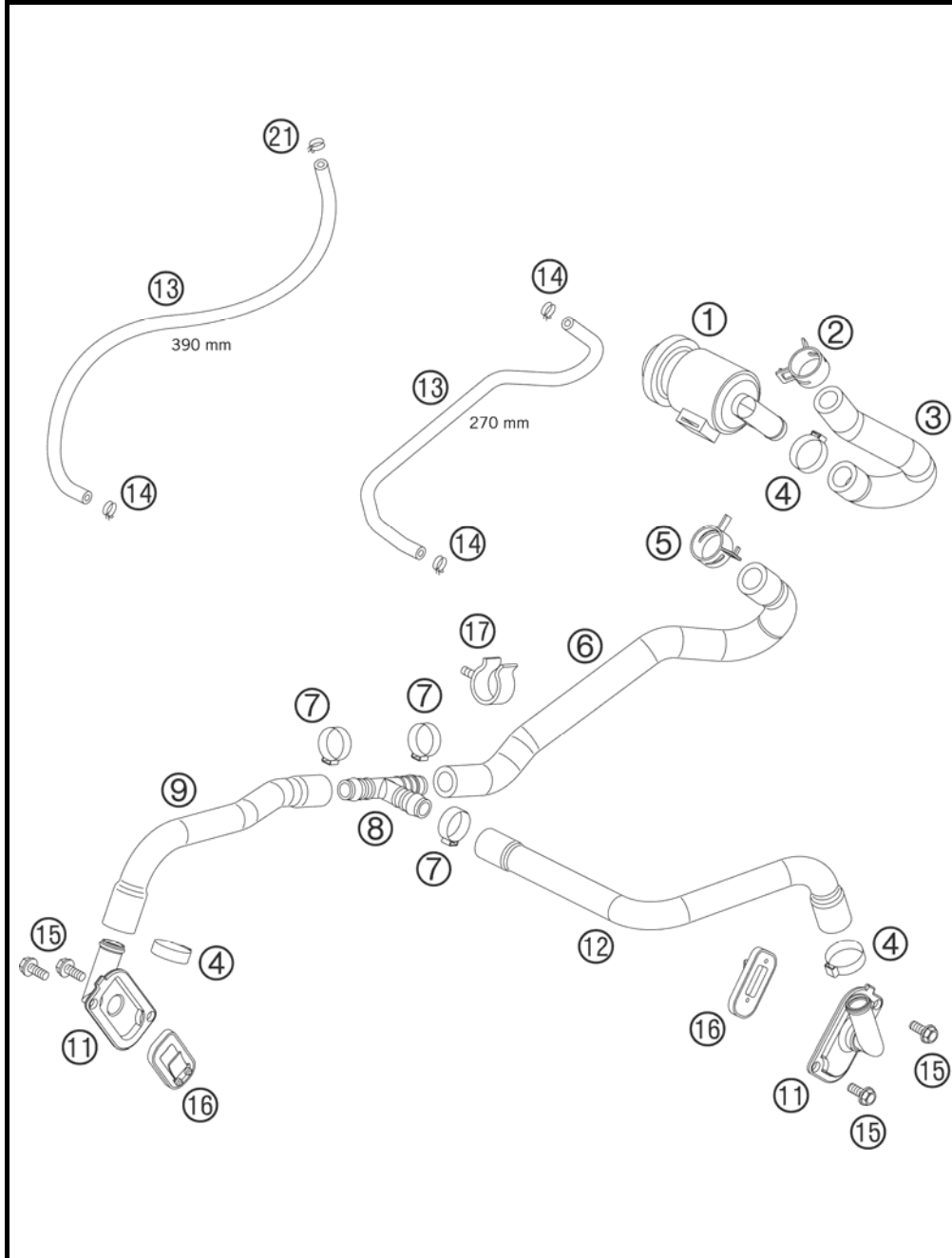


FIG	PART NUMBER	DESCRIPTION	QTY
1	60005024000	CONTROL VALVE SAS	03
2	00049190121	CLAMP STD DN19	1
3	60005035024	HOSE FOR SAS	03
4	00050210706	VARIABLE ONE-EAR CLAMP 21,0MM	3
5	00049200121	CLAMP STD DN20	1
6	60005035021	HOSE FOR SAS REAR	03
7	00050198706	VARIABLE ONE-EAR CLAMP 19,8MM	3
8	58431072000	T-CONNECTION 12MM LC4 '98	1
9	60005035022	HOSE FOR SAS FRONT	03
11	60005022000	SAS FLANGE	03
12	60005035023	HOSE FOR SAS LEFT	03
13	60031098001	HOSE 3,2X8,5 PER METER	1
14	58007017000	YDNAC CLAMP 10101 (9MM)	3
15	0015060123	HH COLLAR SCREW M 6X12 WS=8	4
16	60005026000	SLS-VALVE	03
17	60005045000	CLAMP FOR SAS HOSE	03
21	45031005000	YDNAC-CLAMP FUEL HOSE (8MM)	1

05600312 / C056253100

* NEW PART

X AS REQUIRED

CARBURETOR

950 SUPERMOTO 2007

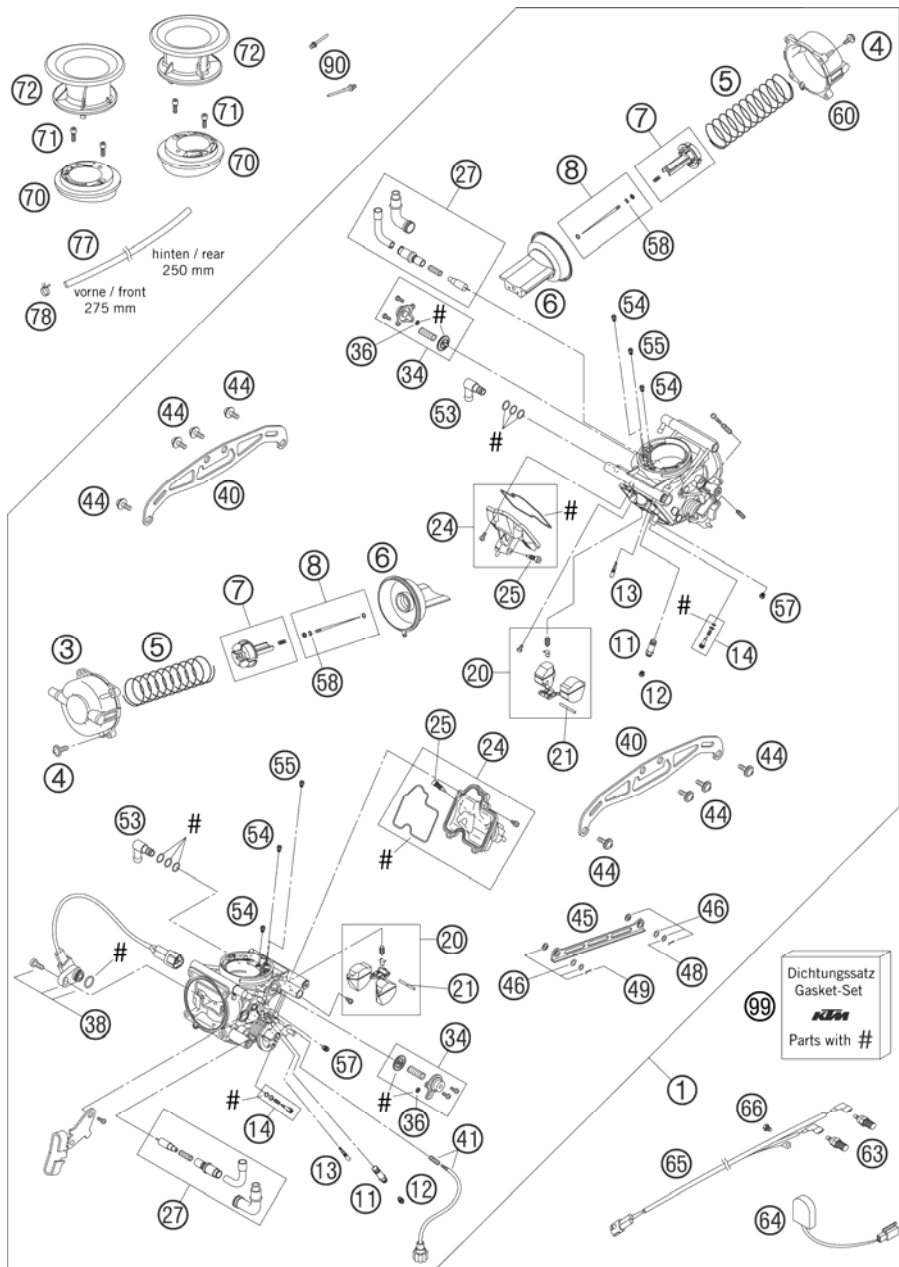


FIG	PART NUMBER	DESCRIPTION	QTY
1	60031001000	CARBURETOR CPL. LC8 CVRD 43 03	1
3	60031027000	DIAPHRAGM COV. KEIHIN FRONT 03	1
4	60031028000	SCREW KEIHIN 03	8
5	60031030000	SPRING KEIHIN LC8	2
6	60031035000	VACUUM PISTON CPL.	2
7	60031032000	JED NEEDLE HOLDER CPL.	2
8	60031034000	JET NEEDLE KEIHIN CPL. NDFB	2
11	60031083000	JET HOLDER	2
12	60031023150	MAIN JET 150 KEIHIN	x
12	60031023155	MAIN JET 155 KEIHIN	1
12	60031023160	MAIN JET 160 KEIHIN	1
12	60031023165	MAIN JET 165 KEIHIN	x
12	60031023170	MAIN JET 170 KEIHIN	x
13	60031007042	IDLE JET 42 KEIHIN	2
14	60031017000	ADJUST SCREW CPL.	2
20	60031009000	FLOAT CPL.	2
21	57331008000	ARM PIN FLOAT	2
24	60031011044	FLOAT CHAMBER CPL.	2
25	57331155000	DRAIN SCREW FLOAT CHAMBER	2
27	60031048000	CHOKE CPL.	2
34	60031090000	AIR CUT VALVE	2
36	59031058000	U-RING	2
38	60031077000	TPS-SENSOR CVRD43 440MM 02-05	1
40	60031091000	CARBURETOR CONNECTING PLATE 03	2
41	60031025000	STOP SCREW CPL.	1
44	60031094000	SCREW KEIHIN 2003	8
45	60031056000	LINK LEVER	1
46	60031087000	LINK LEVER FIXING	2
48	57331087000	WASHER LINK LEVER	2
49	0094010103	SPLIT PIN 1,0X10	2
53	60031013000	HOSE CONNECTOR	2
54	60031037040	AIR JET 40 KEIHIN	2
54	60031037070	AIR JET 70 KEIHIN	x
54	60031037080	AIR JET 80 KEIHIN	2
54	60031037090	AIR JET 90 KEIHIN	x
54	60031037100	AIR JET 100 KEIHIN	x

056253103 / C066253103

* NEW PART

X AS REQUIRED

CARBURETOR

950 SUPERMOTO 2007

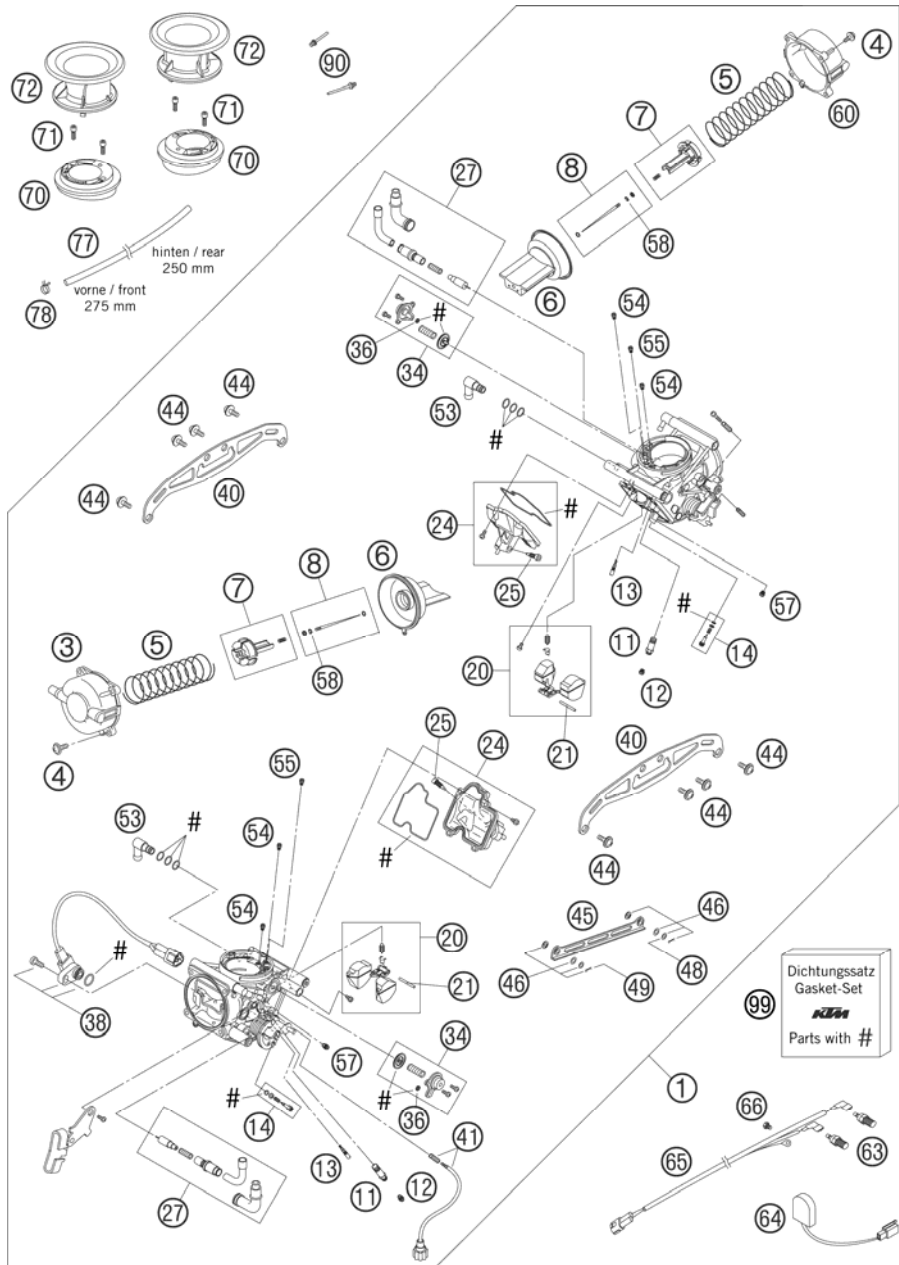


FIG	PART NUMBER	DESCRIPTION	QTY
55	60031047050	AIR JET 50 KEIHIN	2
57	60031051068	STARTER JET 68 KEIHIN	2
58	54531629000	CLIP FOR JET NEEDLE	2
60	60031027100	DIAPHRAGM COV. KEIHIN REAR 03	1
63	60031003000	HEATING ELEMENT CARB. HEAT. 05	2
64	60031004000	TEMPERATURE SENSOR 05	1
65	62511052000	WIRING HARNESS CARB. HEAT. 05	1
66	0933040063	HH SCREW DIN933 M4X6	1
70	60031041000	CARBURETOR TRUMPET SUPPORT 03	2
71	0912040163	AH SCREW DIN0912-M 4X16	4
72	60031040000	CARBURETOR TRUMPET 03	2
77	60007116001	HOSE 6X12 PER METER BREATHING HOSE	1
78	58031005000	CLAMP YDNAC 10128 12MM	2
90	62531029344	SLIDE STOP LC8 SM 25KW	2
99	60031099000	GASKET SET KEIHIN 03	1

056253103 / C066253103

* NEW PART

X AS REQUIRED

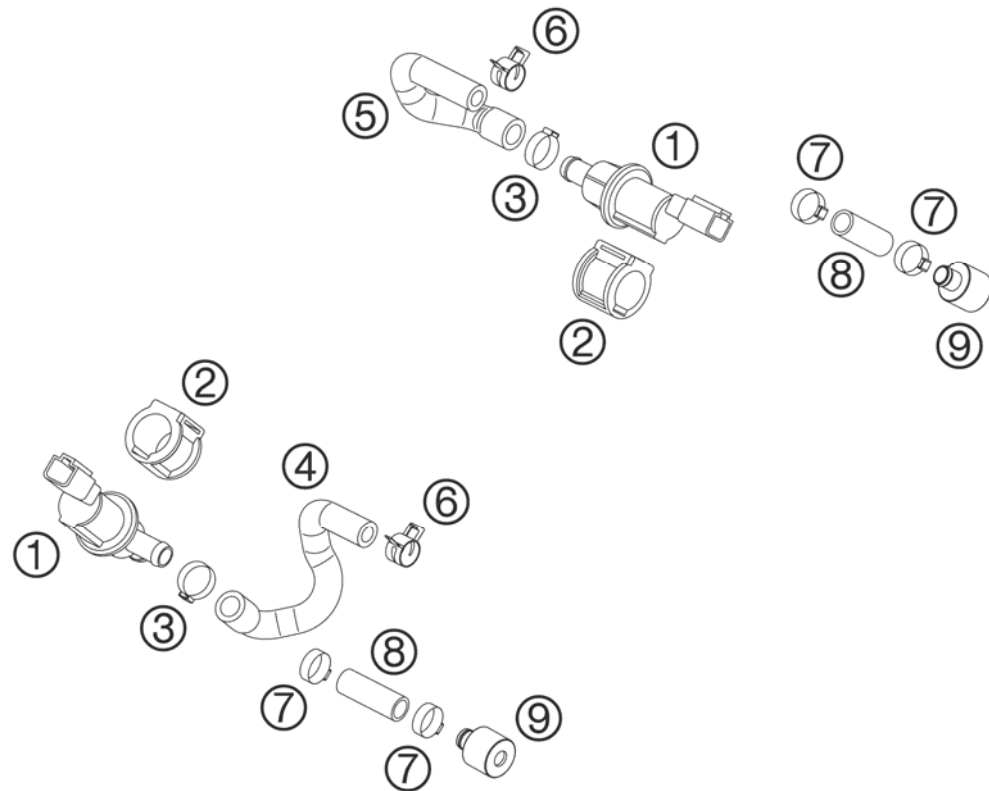


FIG	PART NUMBER	DESCRIPTION	QTY
1	58431067000	MAGNETIC VALVE PIRBURG EPC '98	2
2	60031068000	RUBBER SUPPORT F. MAG.VALVE 03	2
3	00050210706	VARIABLE ONE-EAR CLAMP 21,0MM	2
4	60031071022	HOSE 2 FOR EPC 03	1
5	60031071021	HOSE 1 FOR EPC 03	1
6	00049160121	CLAMP STD DN16	2
7	00050198706	VARIABLE ONE-EAR CLAMP 19,8MM	4
8	60031071023	HOSE 3 FOR EPC 03	2
9	58431070100	AIR FILTER LC4 FOR EPC 2005	2

056253102 / C076253102

* NEW PART

X AS REQUIRED

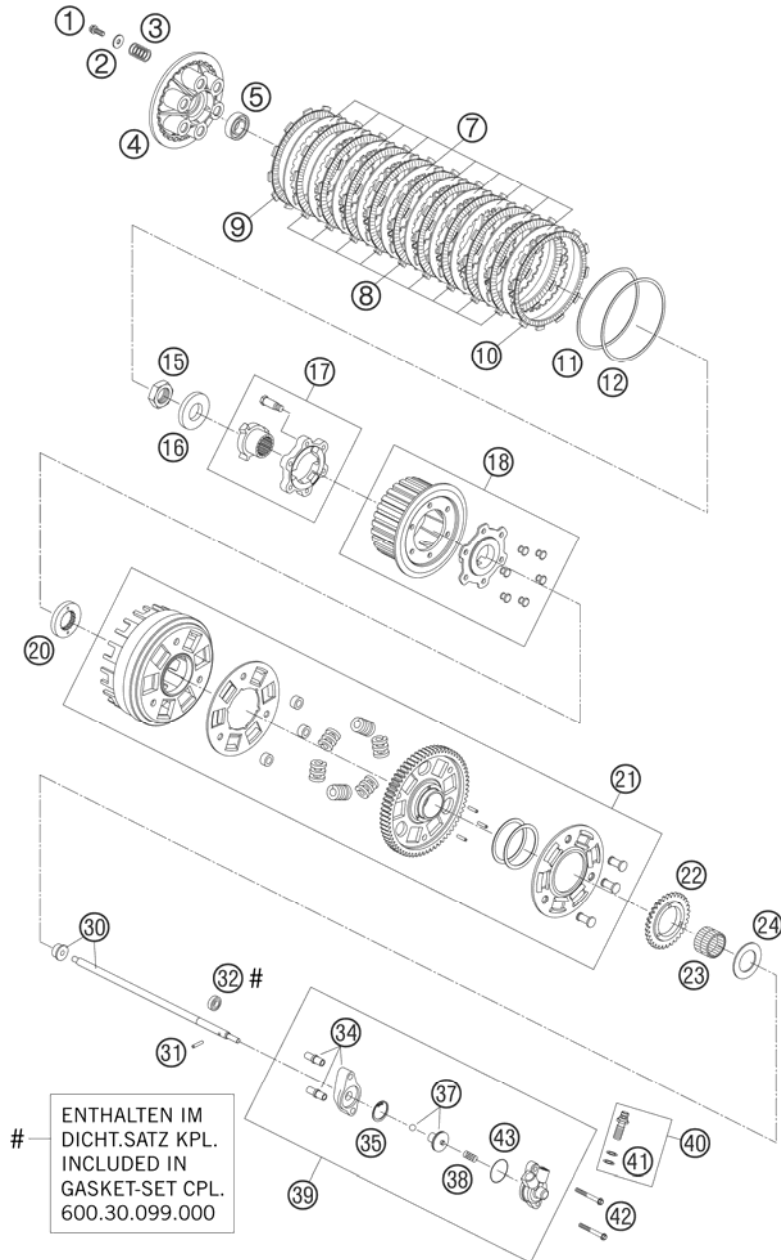


FIG	PART NUMBER	DESCRIPTION	QTY
1	0015060163	HH COLLAR SCREW M 6X16 WS=8	6
2	0021060003	WASHER DIN9021-A 6,4	6
3	60032005000	CLUTCH SPRING LC8 2003	6
4	60032003000	PRESSURE CAP LC8 2003	1
5	0625060032	BALL BEARING 6003 JR2 C4	1
7	60032010000	STEEL DISK 2MM 03	10
8	60032011000	LINING DISK 2,8MM 03	9
9	60032111000	LINING DISK OUTSIDE 2,8MM 03	1
10	60032012000	LINING DISK TURN OUT 2,8MM 03	1
11	60032034000	BELLEVILLE SPRING 2003	1
12	60032035000	THRUST WASHER 2003	1
15	0936220155	HEXAGON NUT DIN0936-M22X1,5 R.	1
16	0126220373	WASHER DIN0126 22X37X3 MM	1
17	60032080000	CLUTCH BOOSTER UNIT CPL. 03	1
18	60032002000	INNER CLUTCH HUB CPL. 03	1
20	60032021000	SECTION WASHER 03	1
21	60032001144	OUT.CLUTCH HUB CPL. 67-T 2004	1
22	60038001032	OIL PUMP GEAR WHEEL 32-T 03	1
23	0618303526	NEEDLE BUSH HK 30X35X26	1
24	60032020000	STOP DISK 30,2/50/2	1
30	60032054400	PUSH ROD CPL.	1
31	0402031780	NEEDLE ROL.DIN5402 NRB 3X17,8	1
32	0760091862	SHAFT SEAL RING 9X18X06 B-NBR	1
34	60032061050	DISTANCE CLUTCH CONTR. CPL.	1
35	0472270120	CIRCLIP DIN0472	1
37*	60032066100	PISTON WITH O-RING+BALL	1
38	60032069000	COMPRESSION SPRING 8X20,75	1
39*	60032061144	CYLINDER CPL. LC8 07	1
40	50332062000	HOLLOW SCREW CPL. M 10X1 '98	1
41	0603100141	COPPER GASKET DIN7603-10X14X1	2
42	0015060503	HH COLLAR SCREW M 6X50 WS=8	2
43	60032065000	O-RING GASKET 03	1

05600320 / C076253201

* NEW PART

X AS REQUIRED

TRANSMISSION I - MAIN SHAFT

950 SUPERMOTO 2007

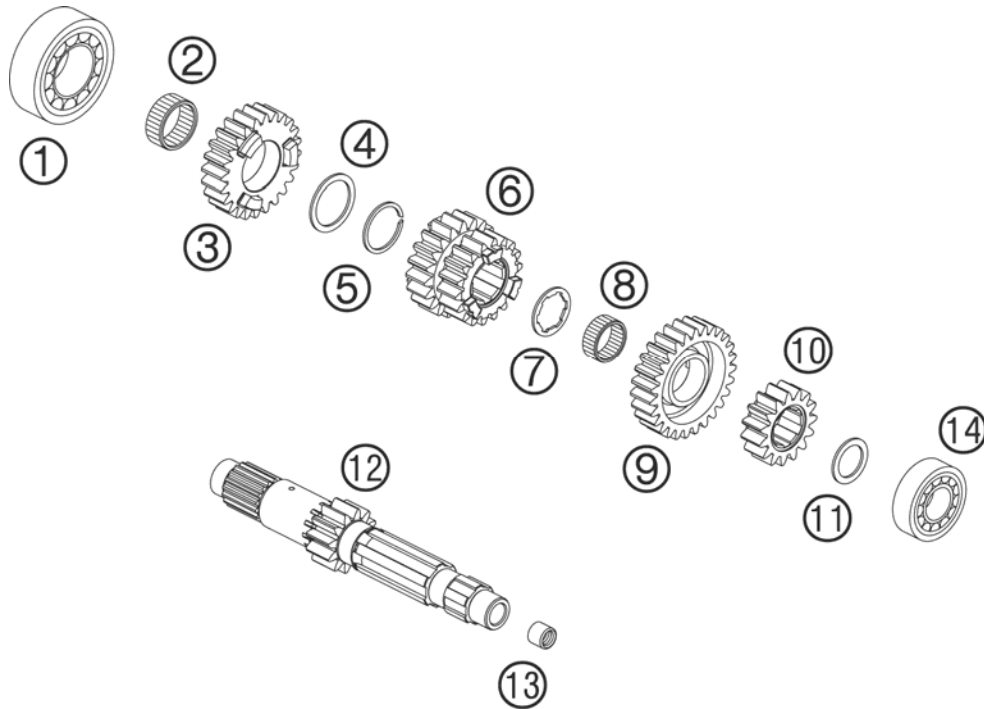


FIG	PART NUMBER	DESCRIPTION	QTY
1	0625062062	BALL BEARING 6206 C3 J1 NSK	1
2	0405263113	NEEDLE BEAR. K 26-31-13	1
3	60033005000	IDLER GEAR 5.G "600 5P24"	1
4	60033042000	STOP DISK 28,3/35,75/1,5	1
5	0417280150	LOCK RING DIN5417-WS28	1
6	60033003000	SLIDING G 3/4.G "600 34P18/20"	1
7	60033041000	STOP DISK 22,2/30,2/1,5	1
8	0405222613	NEEDLE BEAR. K 22X26X13 TN	1
9	60033006000	IDLER GEAR 6.G "600 6P27"	1
10	60033002100	SOLID GEAR 2.G. "600 2P15-1"	1
11	60033040015	STOP DISK 20,2/28/1,5	1
11	60033040016	STOP DISK 20,2/28/1,6	1
11	60033040017	STOP DISK 20,2/28/1,7	1
11	60033040018	STOP DISK 20,2/28/1,8	1
11	60033040019	STOP DISK 20,2/28/1,9	1
11	60033040020	STOP DISK 20,2/28/2,0	1
11	60033040021	STOP DISK 20,2/28/2,1	1
11	60033040022	STOP DISK 20,2/28/2,2	1
12	60033001000	MAIN SHAFT 12-T 03	1
13	0618091312	NEEDLE BUSH HK0912 9/13/12 03	1
14	0625062040	BALL BEARING 6204 DU J1 C3	1

03600330 / C056253300

* NEW PART

X AS REQUIRED

TRANSMISSION II - COUNTERSHAFT

950 SUPERMOTO 2007

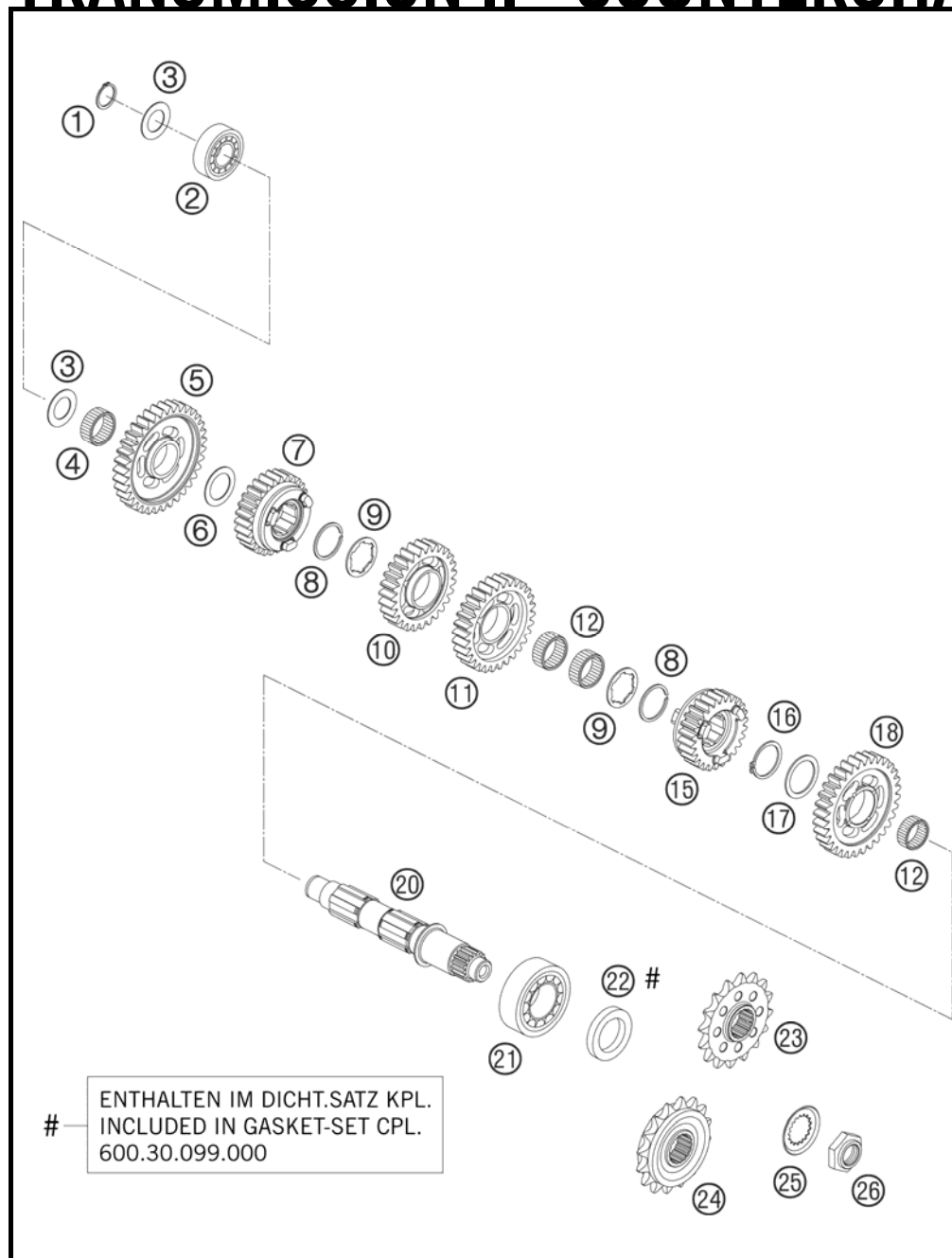


FIG	PART NUMBER	DESCRIPTION	QTY
1	0471200120	CIRCLIP DIN471 20X1,2	1
2	0625062040	BALL BEARING 6204 DU J1 C3	1
3	60033043000	STOP DISK 20,2 X 34 X 1	2
4	0405242813	NEEDLE BEAR. K 24X28X13 TN	1
5	60033011000	IDLER GEAR 1.G "600 1S35"	1
6	60033044000	STOP DISK 24,3/35,75/1	1
7	60033015000	SLIDING GEAR 5.G "600 5S27"	1
8	0417300151	LOCK RING WS 30	2
9	60033045000	STOP DISK 26,2/36/1,5	2
10	60033014000	IDLER GEAR 4.G "600 4S27"	1
11	60033013000	IDLER GEAR 3.G "600 3S30"	1
12	0405263113	NEEDLE BEAR. K 26-31-13	3
15	60033016000	SLIDING GEAR 6.G "600 6S26"	1
16	0471300151	CIRCLIP DIN0471-30X1,5 NIRO	1
17	60033046000	STOP DISK 30,2/39/1,5	1
18	60033012000	IDLER GEAR 2.G "600 2S32"	1
20	60033010000	COUNTERSHAFT 03	1
21	50330082000	CYL.ROLLER BEAR.NJ206 ET2XCS46	1
22	0760304772	SH.SEAL RING 30X47X7 BSL VITON	1
23	60033029016	CHAIN SPROCKET 16-T 03	x
23	60033029017	CHAIN SPROCKET 17-T 03	x
24	60033129017	CHAIN SPROCKET 17-T DAMPED 03	x
25	60033034000	SECURING PLATE TOOTHED 03	1
26	60033035000	HEXAGON NUT M20X1,5 03	1

ENTHALTEN IM DICHT.SATZ KPL.
INCLUDED IN GASKET-SET CPL.
600.30.099.000

05600331 / C056253301

* NEW PART

X AS REQUIRED

SHIFTING MECHANISM

950 SUPERMOTO 2007

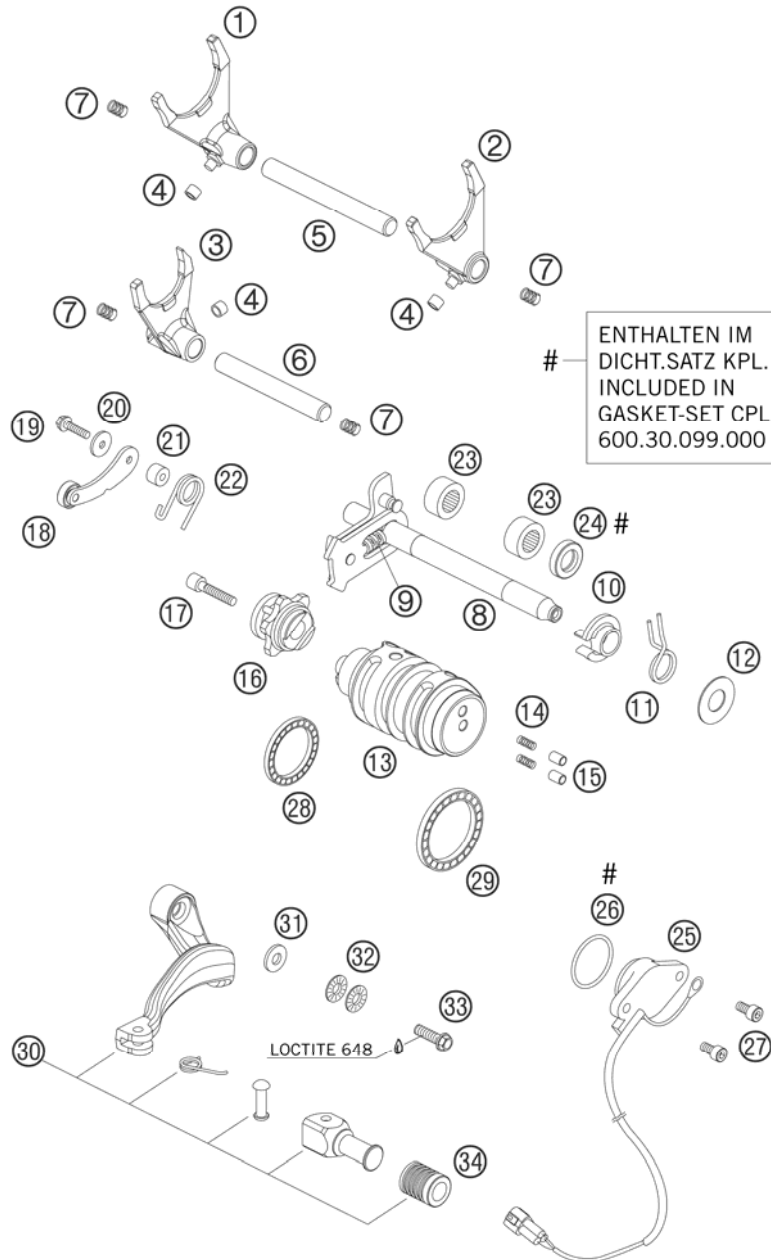


FIG	PART NUMBER	DESCRIPTION	QTY
1	60034001000	SHIFT FORK 1-4 GEAR LC8	03 1
2	60034002000	SHIFT FORK 2-3 GEAR LC8	03 1
3	60034003000	SHIFT FORK 5-6 GEAR LC8	03 1
4	50334018100	SHIFTING ROLLER 6X8X5,2	3
5	59034020000	SHIFT RAIL 11,8X105MM	1
6	59034019000	SHIFT RAIL 11,8X89MM	1
7	58038023200	PRESSURE SPRING 0,9MM	4
8	60034005044	SHIFT SHAFT CPL.	03 1
9	56534013100	TENSIONING SPRING 0,8MM	1
10	54634020000	SPRING GUIDE	1
11	54634014100	RETURN SPRING 2,2MM '95	1
12	54634050000	STOP DISK 14X30X1	1
13	60034012300	SHIFT ROLLER CPL.	06 1
14	60034014000	CONTACT SPRING	03 2
15	60034037000	CONTACT BOLT	03 2
16	60034015044	SHIFT ARRESTING CPL.	03 1
17	0984060302	AH SCREW DIN6912 M 6X30	1
18	60034024044	ARRESTING LEVER CPL.	03 1
19	0015050203	HH COLLAR SCREW M 5X20 WS=8	1
20	0349000050	WASHER DIN7349-5X15X2	1
21	54634052300	SLEEVE FOR LOCKING LEVER	1
22	60034023000	ARRESTING LEVER SPRING	03 1
23	54632095000	NEEDLE BEAR.HK 1412 14X20X12	2
24	0760142460	SHAFT SEAL RING 14X24X6 B	1
25	60011023100	GEAR-POSITION SENSOR	06 1
26	0770275025	O-RING 27,5X2,5 NBR	1
27	0912050123	AH SCREW DIN0912-M 5X12	2
28	0625618050	BALL BEARING 61805 C3	1
29	0625068080	GROOVED BALL BEARING 6808 JRC3	1
30*	6003403104401S	SHIFT LEVER CPL.	07 1
31	50232050001	STEEL WASHER 6,4X17X3	1
32	50233041000	PAIR OF WASHERS M 6 NORDLOCK	1
33	59009062019	SPECIAL SCREW M6X19 WS=8 10.9	1
34	36205018000	RUBBER	1

066003400 / C076253401

* NEW PART

X AS REQUIRED

WATER PUMP

950 SUPERMOTO 2007

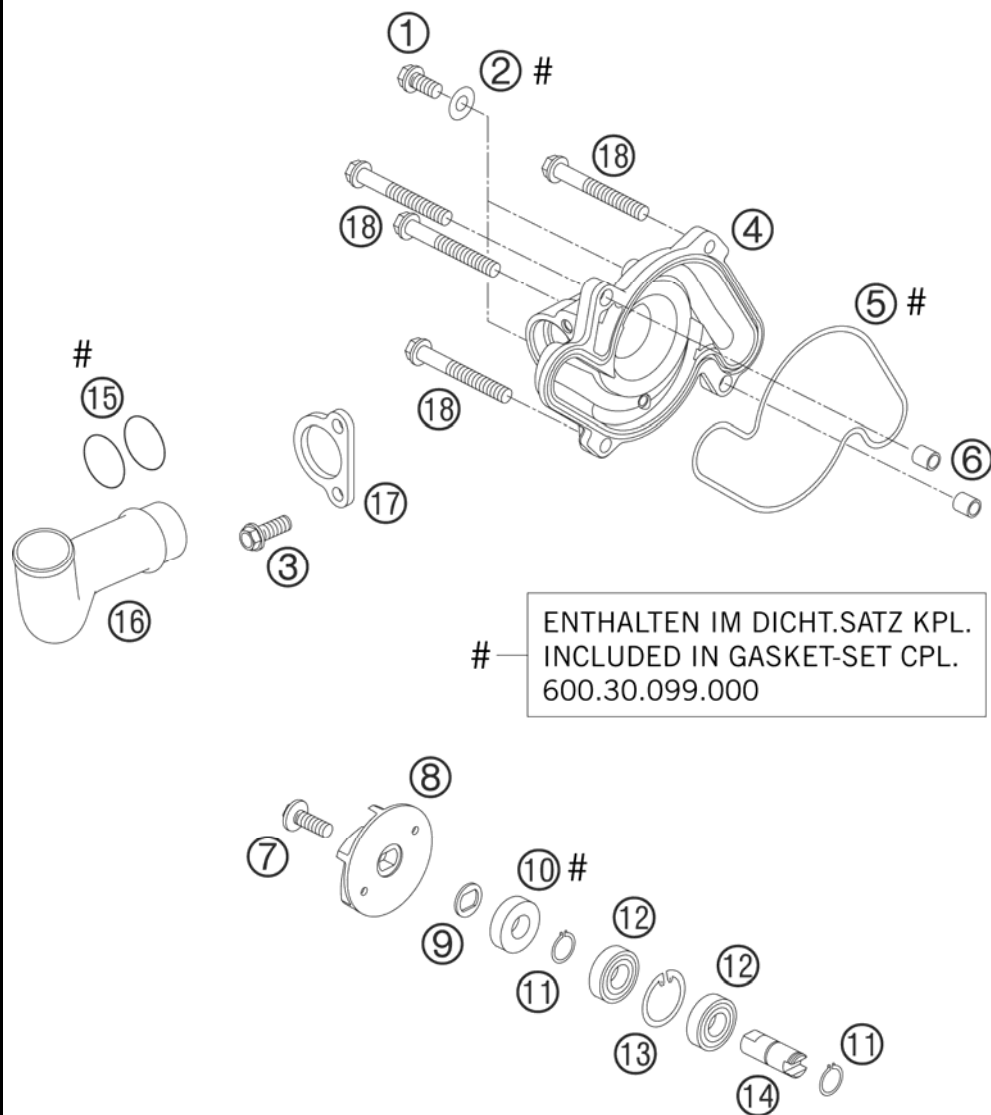


FIG	PART NUMBER	DESCRIPTION	QTY
1	0015060103	HH COLLAR SCREW M 6X10 WS=8	2
2	0603061001	CU-SEAL RING DIN7603-6X10X1	2
3	0015060163	HH COLLAR SCREW M 6X16 WS=8	2
4	60035052000	WATER-PUMP COVER 03	1
5	60035053000	WATER-PUMP GASKET 03	1
6	59030023000	DOWEL 6X8X11,5	2
7	0014060153	HH COLLAR SCREW M 6X15 WS=8	1
8	60035055100	WATER-PUMP WHEEL LC8 03	1
9	60035055150	FORM WASHER 16X1 NIRO 03	1
10	0760123072	SHAFT SEAL RING 12X30X7 VITON	1
11	0471120010	CIRCLIP DIN0471-12X1	2
12	0625069010	GROOVED BALL BEARING 6901V C3	2
13	0472240120	CIRCLIP DIN472 D=24X1,2	1
14	60035054000	WATER-PUMP SHAFT 03	1
15	0770250030	O-RING 25,00X3,00 NBR 70	2
16	62535021000	ALUMINIUM TUBE WATER-PUMP CPL.	1
17	60035021050	FIXING CLAMP WATER-P. TUBE 03	1
18	0015060603	HH COLLAR SCREW M 6X60 WS=8	4

ENTHALTEN IM DICHT.SATZ KPL.
INCLUDED IN GASKET-SET CPL.
600.30.099.000

056253500 / C056253500

* NEW PART

X AS REQUIRED

COOLING SYSTEM

950 SUPERMOTO 2007

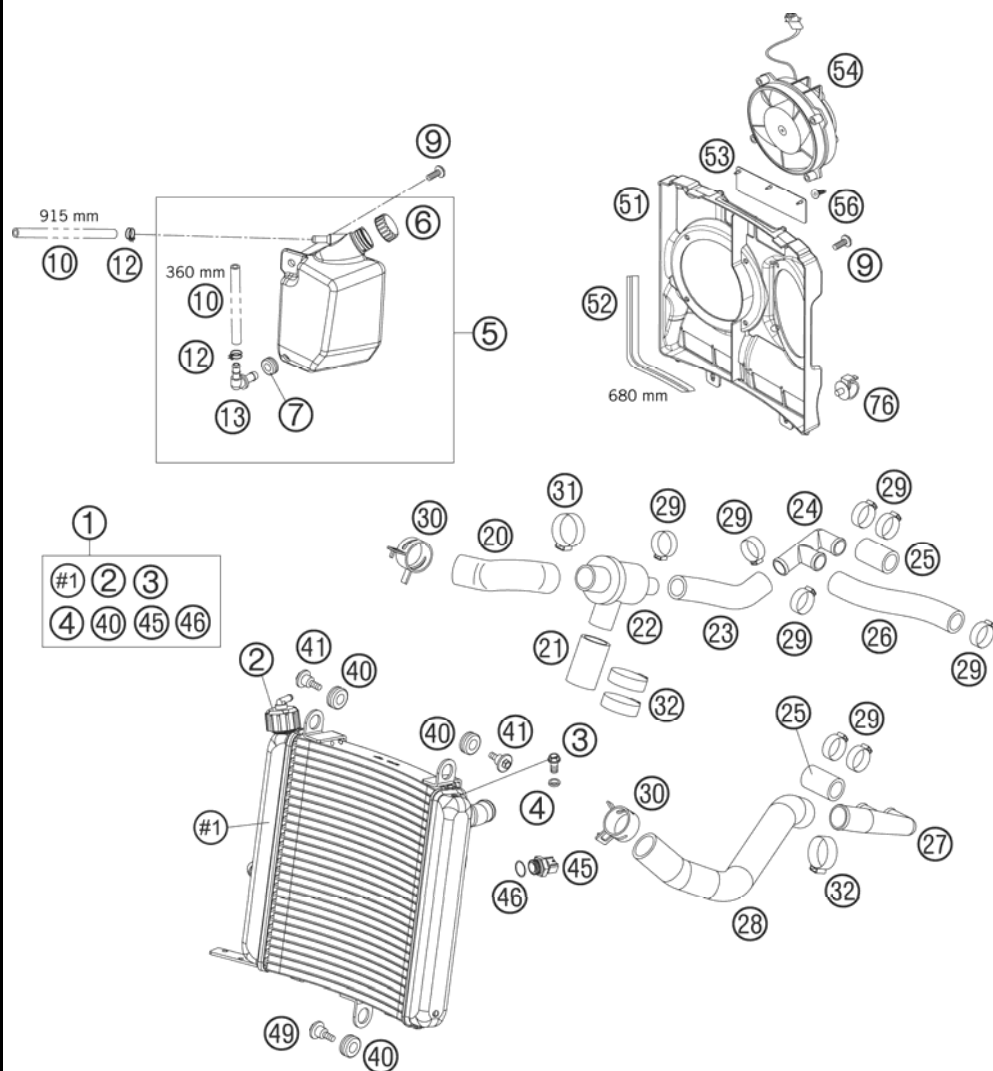


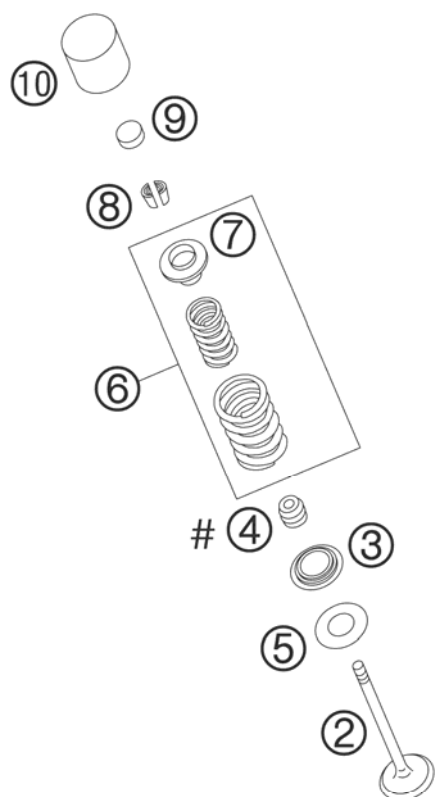
FIG	PART NUMBER	DESCRIPTION	QTY
1	62535010000	RADIATOR 950 SM 05	1
2	45135009000	RADIATOR CAP 50 LC 2001	1
3	0015060103	HH COLLAR SCREW M 6X10 WS=8	x
4	0125060003	WASHER DIN0125-A 6,4	x
5	62535065000	WATER EXPANSION TANK 05	1
6	60035066000	PLUG F. EXPANSION TANK	1
7	60035069000	RUBBER GROMMET 6X9X13MM 04	1
9	0014060153	HH COLLAR SCREW M 6X15 WS=8	3
10	60035067001	HOSE 6X10 EPDM 03	x
12	58007117000	YDNAC-CLAMP 10107 10MM	2
13	60035068000	ANGLE CONNECTION EXPANS. TANK	1
20	62535031000	RADIATOR HOSE 05	1
21	60035030000	RADIATOR HOSE THERM./PUMP 03	1
22	60035017000	THERMOSTAT 75° CPL. W. CASE 03	1
23	62535025000	RADIATOR HOSE THERM./DISTR. 05	1
24	60035019000	DISTRIBUTOR R/S 18/18/18MM 03	1
25	60035026000	RADIATOR HOSE CYL./DISTR. 03	2
26	60035027000	RADIATOR HOSE DISTR./DISTR. 03	1
27	60035028000	DISTRIBUTOR L/S 18/18/25MM 03	1
28	62535024000	RADIATOR HOSE 05	1
29	00050271708	VARIABLE ONE-EAR CLAMP 27,1MM	8
30	00049320121	CLAMP STD DN32	2
31	00050346706	VARIABLE ONE-EAR CLAMP 34,6MM	1
32	00050331706	VARIABLE ONE-EAR CLAMP 33,1MM	3
40	41001052000	RUBBER SLEEVE D=12MM	3
41	60035001000	SCREW RADIATOR BRACKET M6 03	2
45	60035045000	THERMOSWITCH LC8 102DG '03	1
46	0770017015	O-RING 17X1,5 NB75	1
49	60038083000	SCREW OIL TANK FIXING 03	1
51	62535044000	FAN COWL 05	1
52	58312085100	EDGE PROTECTOR PER METER	x
53	58435044050	FAN FLAP RUBBER LC4 2000	3
54	58435041000	FAN CPL. 12V LC4 2000	2
56	0020050163	EJOT SCREW K50X16 1451	8
76	58111076000	CABLE SUPPORT KHS NR.150-47610	2

056253501 / C056253501

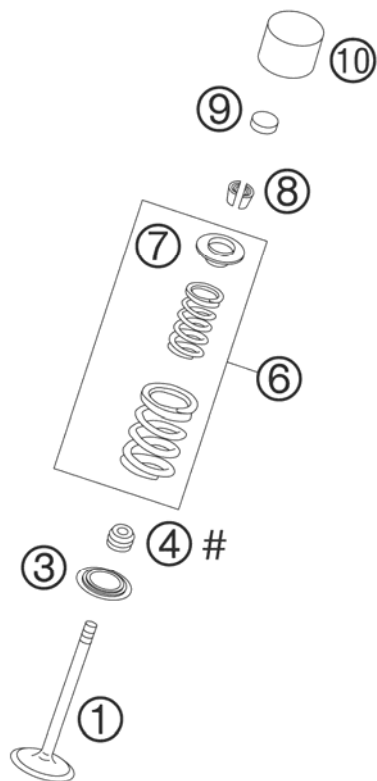
* NEW PART

X AS REQUIRED

EXHAUST



INTAKE



#

ENTHALTEN IM DICHTUNGSSATZ KPL.
INCLUDED IN GASKET-SET CPL.
600.30.099.000
ENTHALTEN IM DICHT.SATZ ZYL.KOPF
INCLUDED IN GASKET-SET CYL. HEAD
600.30.097.000

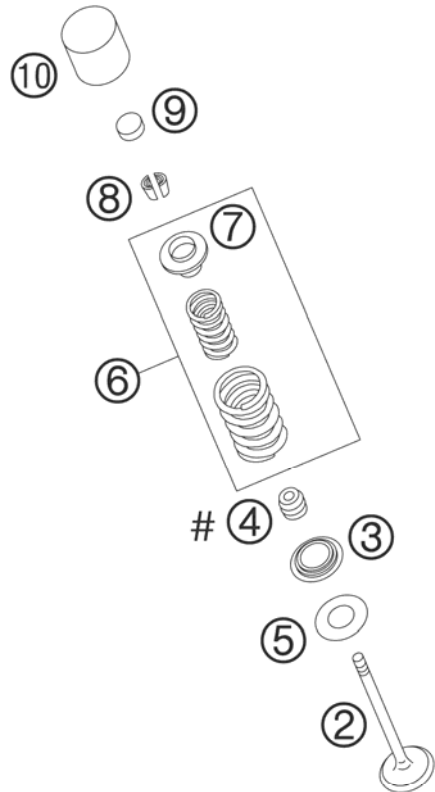
FIG	PART NUMBER	DESCRIPTION	QTY
1	60036030000	INTAKE VALVE 03	4
2	60036031100	EXHAUST VALVE 05	4
3	60036036000	SPRING RETAINER 03	8
4	59036027000	VALVE-STEM SEALING RACING 8	8
5	60036037000	WASHER 14/30/2 03	4
6	60036029044	VALVE SPRING KIT LC8 2003	8
7	60036032000	VALVE-SPRING RETAINER 03	8
8	60036033000	VALVE COLLET MK6 03	16
9	60036035185	SHIM D=10/1,85 03	x
9	60036035190	SHIM D=10/1,90 03	x
9	60036035195	SHIM D=10/1,95 03	x
9	60036035200	SHIM D=10/2,00 03	x
9	60036035210	SHIM D=10/2,10 03	x
9	60036035215	SHIM D=10/2,15 03	x
9	60036035220	SHIM D=10/2,20 03	x
9	60036035225	SHIM D=10/2,25 03	x
9	60036035230	SHIM D=10/2,30 03	x
9	60036035235	SHIM D=10/2,35 03	x
9	60036035240	SHIM D=10/2,40 03	x
9	60036035245	SHIM D=10/2,45 03	x
9	60036035250	SHIM D=10/2,50 03	x
9	60036035255	SHIM D=10/2,55 03	x
9	60036035260	SHIM D=10/2,60 03	x
9	60036035265	SHIM D=10/2,65 03	x
9	60036035270	SHIM D=10/2,70 03	x
9	60036035275	SHIM D=10/2,75 03	x
9	60036035280	SHIM D=10/2,80 03	x
9	60036035285	SHIM D=10/2,85 03	x
9	60036035290	SHIM D=10/2,90 03	x
9	60036035295	SHIM D=10/2,95 03	x
9	60036035300	SHIM D=10/3,00 03	x
9	60036035305	SHIM D=10/3,05 03	x
9	60036035310	SHIM D=10/3,10 03	x
9	60036035315	SHIM D=10/3,15 03	x
9	60036035320	SHIM D=10/3,20 03	x

05600362 / C056253603

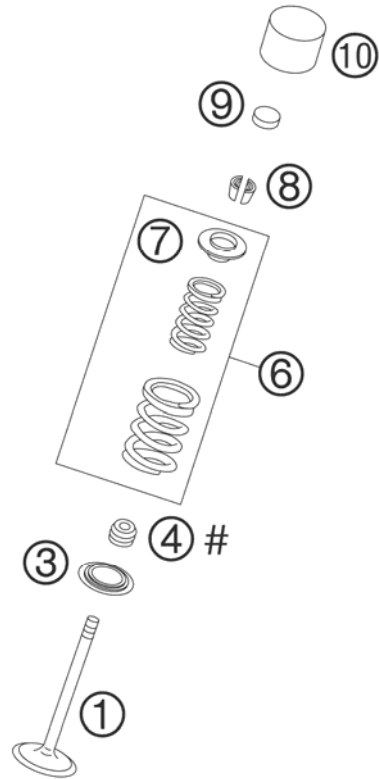
* NEW PART

X AS REQUIRED

EXHAUST



INTAKE



#

ENTHALTEN IM DICHTUNGSSATZ KPL.
INCLUDED IN GASKET-SET CPL.
600.30.099.000
ENTHALTEN IM DICHT.SATZ ZYL.KOPF
INCLUDED IN GASKET-SET CYL. HEAD
600.30.097.000

FIG	PART NUMBER	DESCRIPTION	QTY
10	61036034000	BUCKET TAPPET	8

05600362 / C056253603

* NEW PART

X AS REQUIRED

CYLINDER HEAD FRONT

950 SUPERMOTO 2007

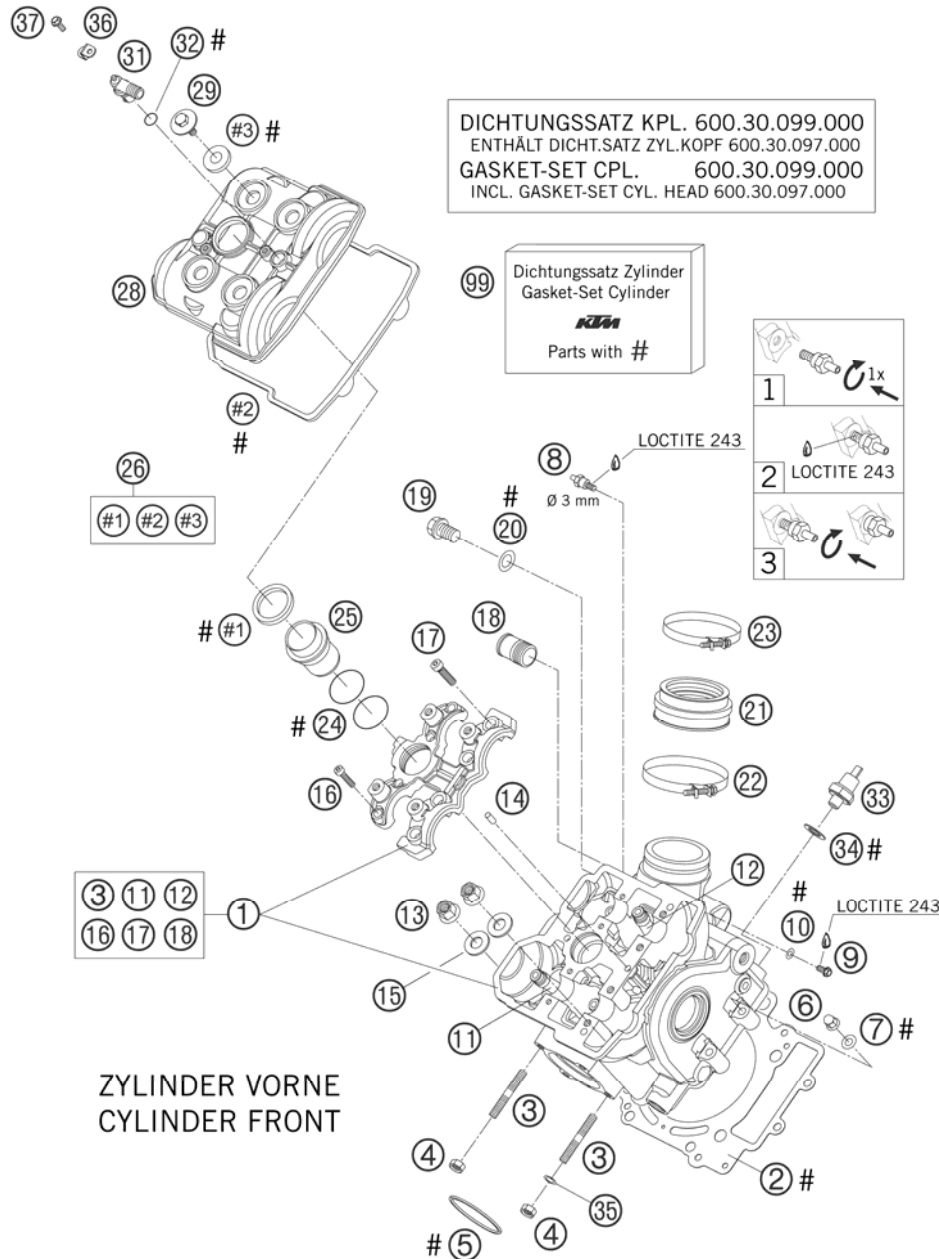


FIG	PART NUMBER	DESCRIPTION	QTY
1	62536020044	CYLINDER HEAD CPL. FRONT 05	1
2	60030036000	CYLINDER HEAD GASKET 0,5 101MM	1
3	0835080256	STUD DIN0835-M 8X25 10.9	2
4	51010086100	SELF LOCKING NUT M 8 CU	2
5	60005005000	GASKET 03	1
6	0587060000	CAP NUT M6 DIN1587 02	2
7	0125060003	WASHER DIN0125-A 6,4	2
8	58336020190	VACUUM CONNECTION M6/3MM '97	1
9	0015060103	HH COLLAR SCREW M 6X10 WS=8	1
10	0603061001	CU-SEAL RING DIN7603-6X10X1	1
11	60036026000	VALVE GUIDE EXHAUST 03	2
12	60036025000	VALVE GUIDE INTAKE 03	2
13	60036078200	COLLAR NUT M 10 WS=13 05	4
14	0402050980	NEEDLE ROLLER DIN5402 5X9,8	2
15	60036078050	SHIM 10,2X19X1,5MM 05	4
16	0912060255	AH SCREW DIN0912-M 6X25 10.9	4
17	0984080305	AH SCREW DIN7984-M 8X30 10.9	4
18*	58030010200	SCREW IN NOZZLE M20X1,5	1
19	0908120153	PLUG DIN0908-M12X1,5	1
20	58038022000	CU-SEAL RING DIN7603-12X18X1,5	1
21	60036044000	INTAKE BOOT 03	1
22	60036047100	HOSE CLAMP GEMI 62 MM 03	1
23	59030061100	HOSE CLAMP GEMI 56MM 03	1
24	0770298178	O-RING 29,87X1,78 VITON	2
25	60036075000	INSERT SPARK-PLUG SHAFT LC8 03	1
26	60036099000	VALVE COVER GASKET SET FR+RR	1
28	60036252000	VALVE COVER FRONT SM 05	1
29	60036052020	COLLAR SCREW M 6 WS=10 03	4
31	60038082000	ANGLE CONNECTOR LC8 03	1
32	0770080020	O-RING 8X2 SILICONE	1
33	60038091100	OIL-PRESSURE SWITCH LC8 04	1
34	0603100141	COPPER GASKET DIN7603-10X14X1	1
35	61005009000	SPACER BUSH. 8,5X15X7,5 05	1
36	60038082050	ANGLE CONNECTOR BRACKET PANEL	1
37	0009050103	SPECIAL SCREW M 5,0X10	2
99	60030097000	GASKET SET CYL. HEAD KPL. 03 CYLINDER FRONT + REAR	1

066253600 / C076253600

* NEW PART

X AS REQUIRED

CYLINDER HEAD REAR

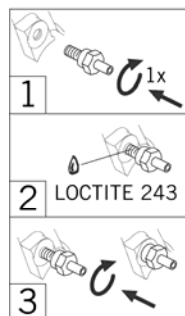
950 SUPERMOTO 2007

DICHTUNGSSATZ KPL. 600.30.099.000
 ENTHÄLT DICHT.SATZ ZYL.KOPF 600.30.097.000
 GASKET-SET CPL. 600.30.099.000
 INCL. GASKET-SET CYL. HEAD 600.30.097.000

99 Dichtungssatz Zylinder
 Gasket-Set Cylinder



Parts with #



LOCTITE 243

ZYLINDER HINTEN
 CYLINDER REAR

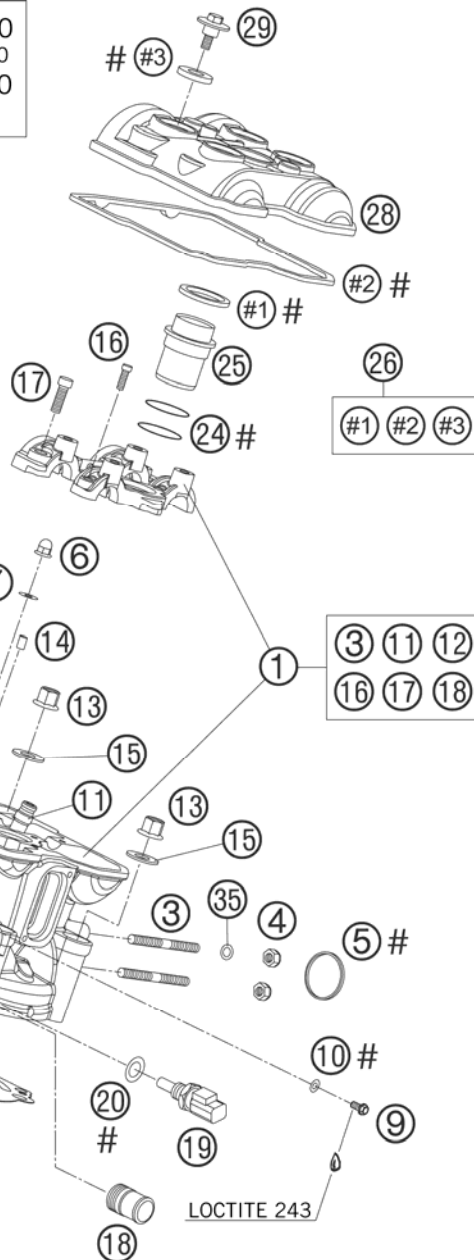


FIG	PART NUMBER	DESCRIPTION	QTY
1	62536120044	CYLINDER HEAD CPL. REAR 05	1
2	60030036000	CYLINDER HEAD GASKET 0,5 101MM	1
3	0835080256	STUD DIN0835-M 8X25 10.9	2
4	51010086100	SELF LOCKING NUT M 8 CU	2
5	60005005000	GASKET 03	1
6	0587060000	CAP NUT M6 DIN1587 02	2
7	0125060003	WASHER DIN0125-A 6,4	2
8	58336020190	VACUUM CONECTION M6/3MM '97	1
9	0015060103	HH COLLAR SCREW M 6X10 WS=8	1
10	0603061001	CU-SEAL RING DIN7603-6X10X1	1
11	60036026000	VALVE GUIDE EXHAUST 03	2
12	60036025000	VALVE GUIDE INTAKE 03	2
13	60036078200	COLLAR NUT M 10 WS=13 05	4
14	0402050980	NEEDLE ROLLER DIN5402 5X9,8	2
15	60036078050	SHIM 10,2X19X1,5MM 05	4
16	0912060255	AH SCREW DIN0912-M 6X25 10.9	4
17	0984080305	AH SCREW DIN7984-M 8X30 10.9	4
18*	58030010200	SCREW IN NOZZLE M20X1,5	1
19	60011252000	TEMPERAT.-SENSOR WATER LC8 02	1
20	0770100020	O-RING 10,00X2,00 SILCONE	1
21	60036044000	INTAKE BOOT 03	1
22	60036047100	HOSE CLAMP GEMI 62 MM 03	1
23	59030061100	HOSE CLAMP GEMI 56MM 03	1
24	0770298178	O-RING 29,87X1,78 VITON	2
25	60036075000	INSERT SPARK-PLUG SHAFT LC8 03	1
26	60036099000	VALVE COVER GASKET SET FR+RR	1
28	60036152000	VALVE COVER REAR 03	1
29	60036052020	COLLAR SCREW M 6 WS=10 03	4
35	61005009000	SPACER BUSH. 8,5X15X7,5 05	1
99	60030097000	GASKET SET CYL. HEAD KPL. 03 CYLINDER FRONT + REAR	1

066253601 / C076253601

* NEW PART

X AS REQUIRED

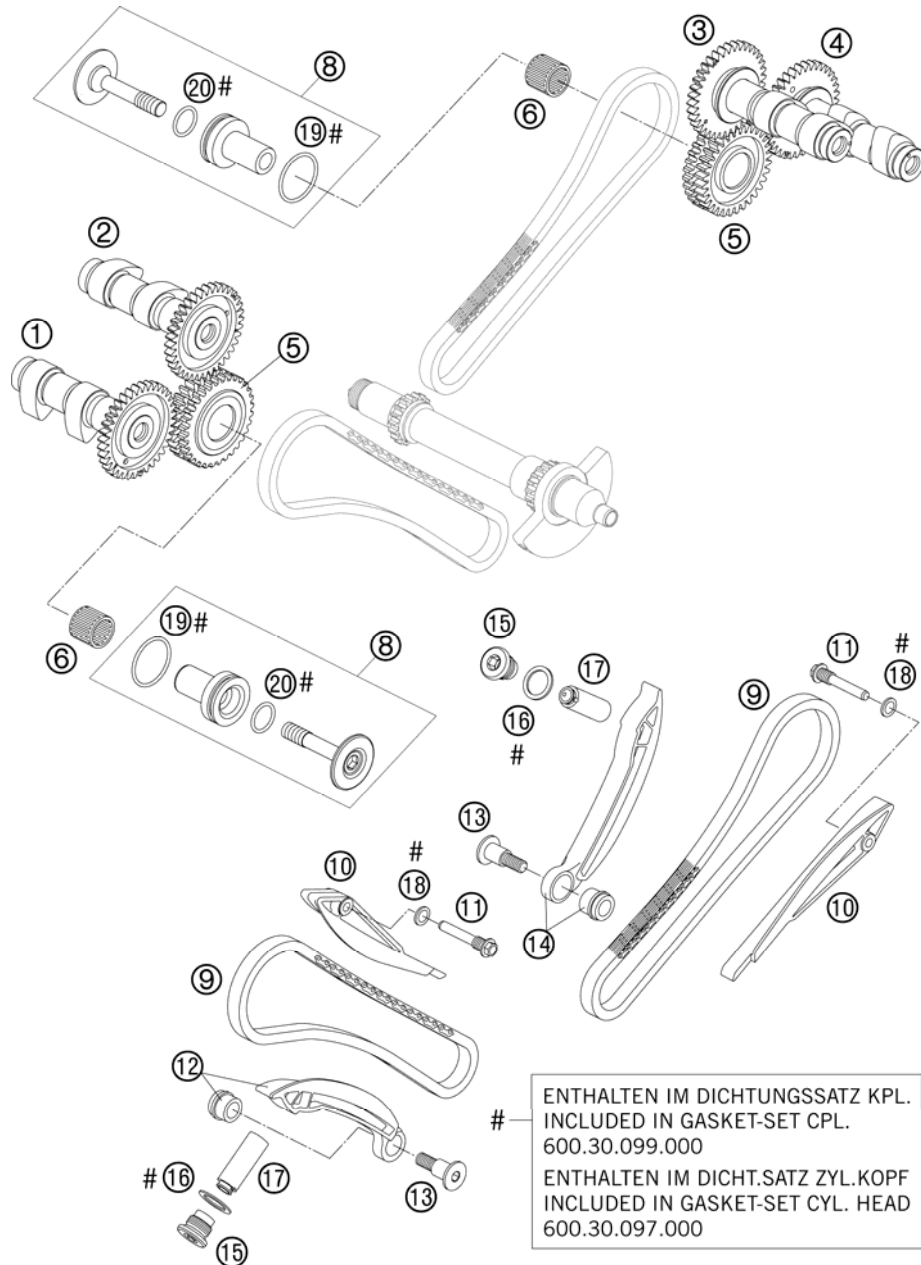


FIG	PART NUMBER	DESCRIPTION	QTY
1	60036010144	CAMSHAFT EXHAUST CPL. FRONT 03	1
2	60036009144	CAMSHAFT INTAKE CPL. FRONT 03	1
3	60036109144	CAMSHAFT INTAKE CPL. REAR 03	1
4	60036110144	CAMSHAFT EXHAUST CPL. REAR 03	1
5	60036070000	TIMING GEARS 32-T CPL. 03	2
6	0405182420	NEEDLE BEARING K18/24/20	2
8*	60036071100	BEARING BOLT	2
9	60036013000	TOOTH CHAIN 88 LINK 6,35PITCH	2
10	60036001000	GUIDE RAIL 03	2
11	60036002060	BUSHING SCREW 2 CYL. 03	2
12	60036002000	TENSIONER RAIL CPL. FRONT 03	1
13	60036002050	COLLAR SCREW AH M8 03	2
14	60036102000	TENSIONER RAIL CPL. REAR 03	1
15	60036008000	SCREW PLUG M16X1,5 03	2
16	0603162013	CU SEAL-RING DIN7603 16X20X1,3	2
17	60036003000	TIMING-CH.TENS. HYDR.(75YM) 03	2
18	0603082121	SEAL RING CU DIN7603- 8X12X1	2
19*	0770290020	O-RING 29X2 VITON	1
20*	0770160021	O-RING 16,00X2,00 VITON	1

076003604 / C076253604

* NEW PART

X AS REQUIRED

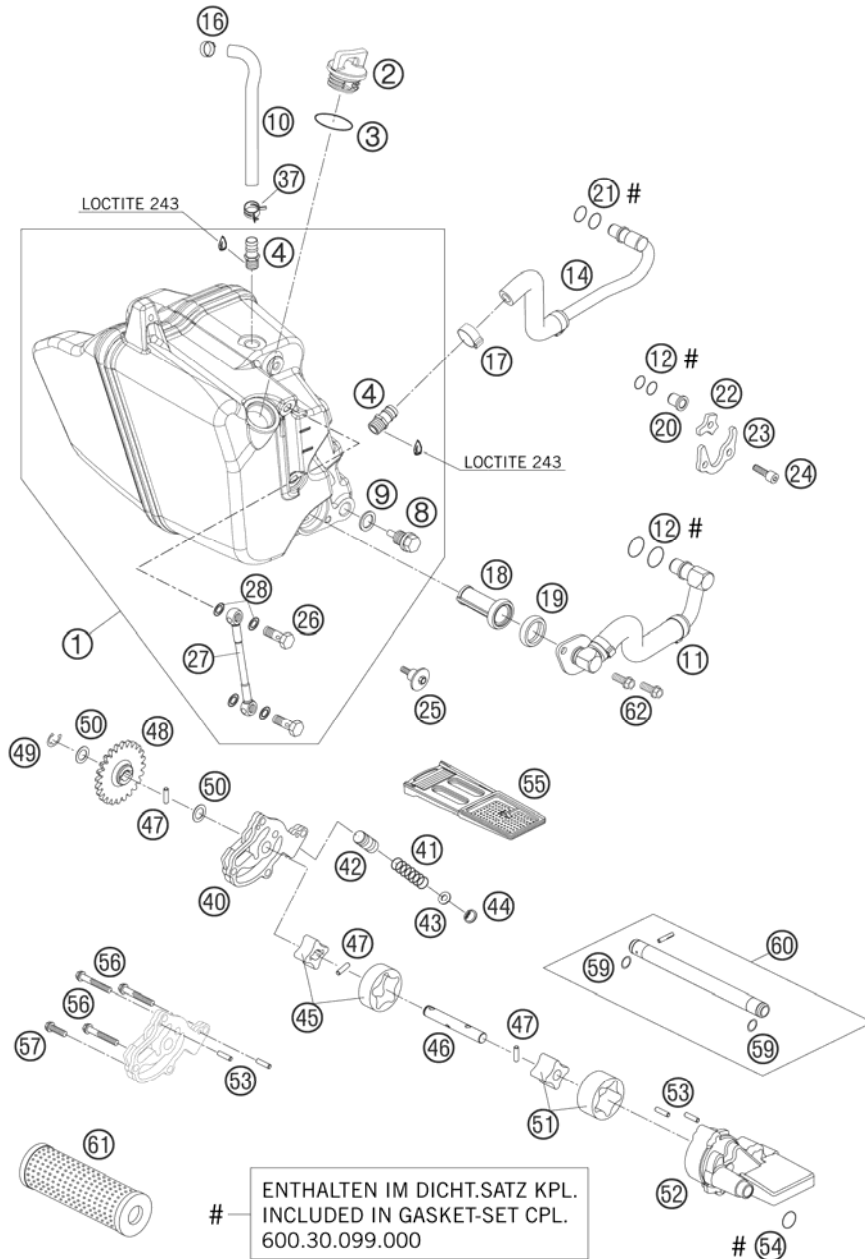


FIG	PART NUMBER	DESCRIPTION	QTY
1	62538081033	OIL TANK CPL.	05
2	58030020100	PLUG CPL. M24X3	1
3	0770191015	O-RING 19,00X3,00 NBR	1
4	59030022100	BLEEDER FLANGE M12X1,5 WS=13	2
8	58030021000	OILDRAIN PLUG W.MAG. M 12X1,5	1
9	58038022000	CU-SEAL RING DIN7603-12X18X1,5	1
10	62538034030	PREFORMED HOSE 9X15	05
11	62538060000	SUCTION PIPE	05
12	0770090021	O-RING 9X2 VITON	4
14	62538061000	RETURN OIL PIPE	06
16	00050170706	VARIABLE ONE-EAR CLAMP 17,0MM	1
17	00050185706	VARIABLE ONE-EAR CLAMP 18,5MM	1
18	60038017000	OIL SCREEN FINISHED	03
19	60038018000	GASKET FOR OIL FILTER HNBR	03
20	60038024000	PLUG 10MM LC8	03
21	0770110021	O-RING 11X2 VITON	2
22	60038037000	RETAINING PLATE 2 LC8	03
23	60038036000	RETAINING PLATE 1 LC8	03
24	0912060203	AH SCREW DIN0912-M 6X20	3
25	60038083000	SCREW OIL TANK FIXING	03
26*	58038029000	BANJO BOLT M8X1	2
27	61038084000	OIL RISING PIPE CPL.	05
28	0603082121	SEAL RING CU DIN7603- 8X12X1	4
37	00049160121	CLAMP STD DN16	1
40	60038010000	PRESSURE PUMP CASE	03
41	60038026000	CONTROL SPRING LC8 3,5 BAR	1
42	60038028000	CONTROL PISTON LC8	03
43	0988060121	WASHER 6X12X1 HRC 40-45	1
44	0472012010	CIRCLIP DIN0472 J12	1
45	60038011000	ROTOR-SET PRESSURE PUMP	03
46	60038002000	OIL PUMP SHAFT	03
47	0402041580	NEEDLE ROLLER NRB 4X15,8 G2	3
48	60038001024	OIL PUMP GEAR 24-T	03
49	0799080000	TAB WASHER DIN6799 RS8	1
50	60038007010	WASHER 10X16X0,5	03
51	60038009000	ROTOR-SET SUCTION PUMP	03

056253800 / C076253800

* NEW PART

X AS REQUIRED

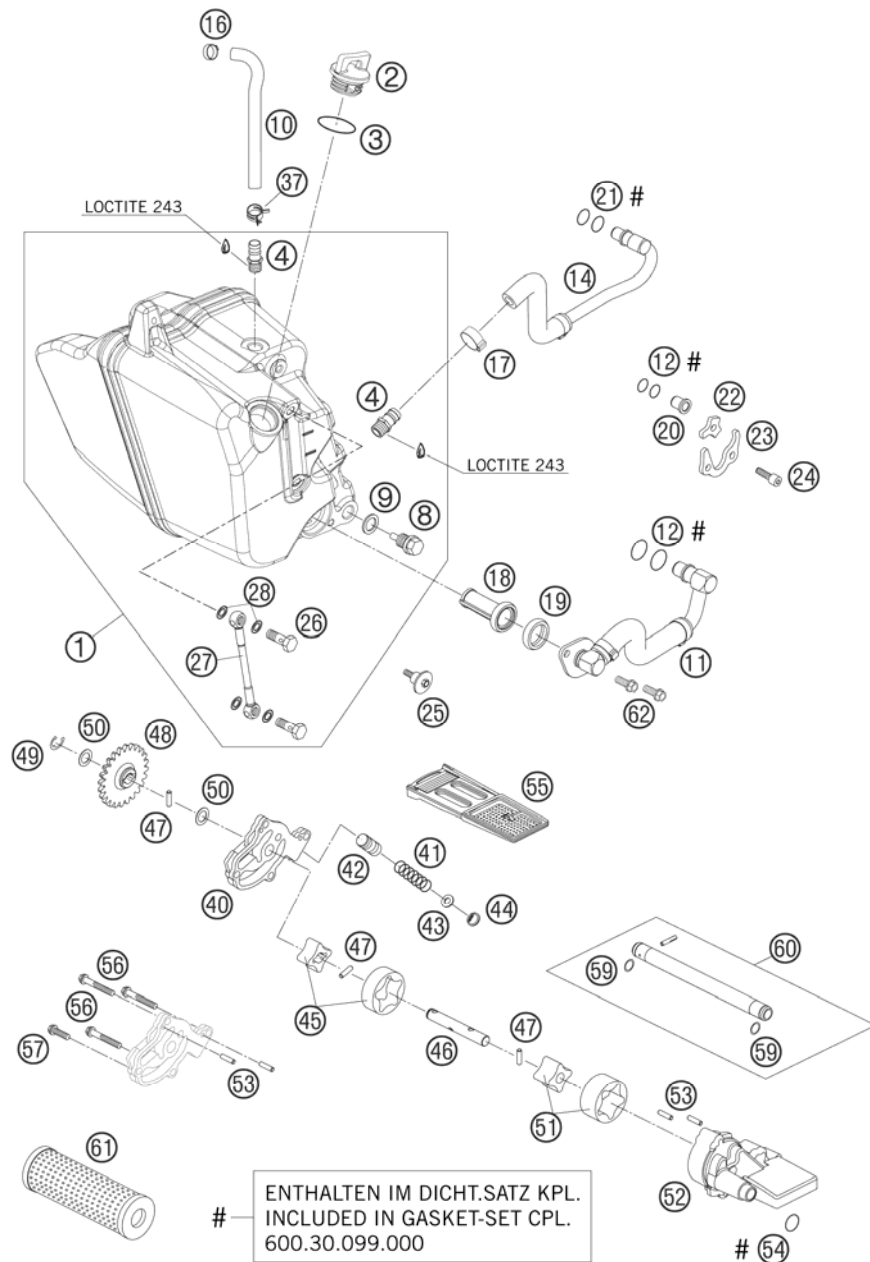


FIG	PART NUMBER	DESCRIPTION	QTY
52	60038008000	SUCTION PUMP CASE 03	1
53	0402040980	NEEDLE ROL.DIN5402 NRB 4X9,8	4
54	0770133024	O-RING 13,3X2,4 VITON	1
55	60038016000	OIL SCREEN 03	1
56	0015060403	HH COLLAR SCREW M 6X40 WS=8	3
57	0015060253	HH COLLAR SCREW M 6X25 WS=8	1
59	0770010010	O-RING 10,00X1,00 NBR 70 SH	2
60	60030065100	OIL INJECTION TUBE GEAR 05	1
61	60038015000	OIL FILTER 03	1
62	0015060103	HH COLLAR SCREW M 6X10 WS=8	2

056253800 / C076253800

* NEW PART

X AS REQUIRED

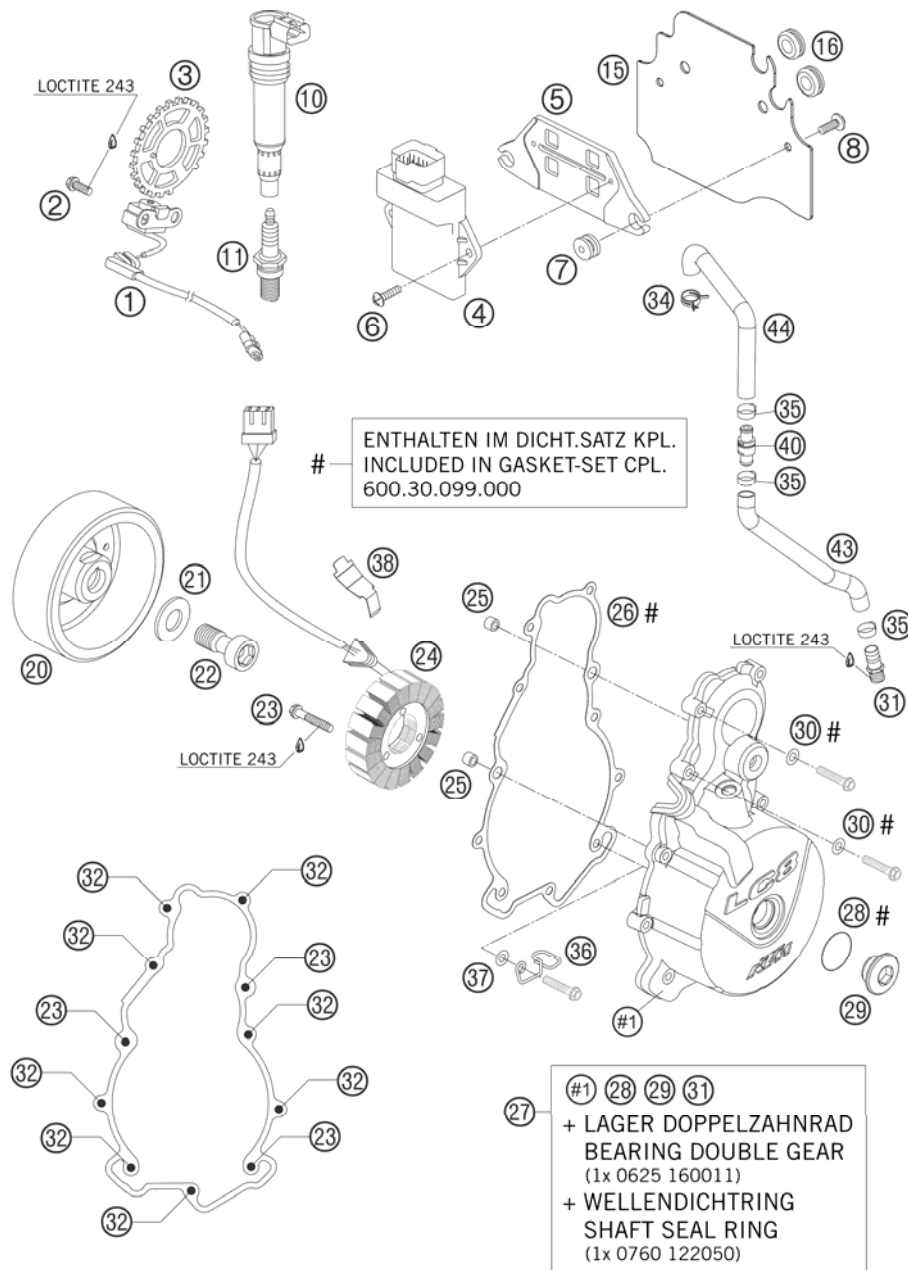


FIG	PART NUMBER	DESCRIPTION	QTY
1	60039034100	PULSE GENERATOR LC8 04	1
2	0015060163	HH COLLAR SCREW M 6X16 WS=8	2
3	60039020100	TRIGGER WHEEL 03	1
4	62539031000	DIGITALBOX 950SM 05	1
5	60039028000	ADAPTER PLATE DIGITALBOX 03	1
6	0081500181	SCREW FOR PLASTIC D=5X18	2
7	60039030000	VIBRATION DAMPER DIGITALBOX 03	2
8	0023060123	COLLAR SCREW M6x12 ISA	2
10	60039006000	STICK COIL 03	2
11	59039093000	SPARK PLUG CR8EK	2
15	63003082000	COVER PLATE 07	1
16	41001052000	RUBBER SLEEVE D=12MM	2
20	60039005100	IGNITION ROTOR 04 INCL. FREEWHEEL	1
21	60039040010	WASHER 17X32X4 03	1
22	60039003000	AH EXPAND. SCREW M16X35 8.8	x
22	60039003100	AH EXPAND. SCREW M16X1,5 05	x
23	0015060353	HH COLLAR SCREW M 6X35 WS=8	6
24	60039004000	STATOR 03	1
25	49030090000	DOWEL 9,8 X 7 X 10	2
26	60030040100	IGNIT.COVER GASK.MATRI.CS0,5MM	1
27*	60030002144	IGNITION COVER CPL. 06	1
28	0770024025	O-RING 24X2,5 NBR	1
29	6003009400023	SCREW PLUG M24X1,5 PA 6.6	1
30	0603061001	CU-SEAL RING DIN7603-6X10X1	2
31	60030022000	VENTILATION CONNECTOR M16X1,5	1
32	0015060303	HH COLLAR SCREW M 6X30 WS=8	8
34	00049220121	CLAMP STD DN22	1
35	00050226706	VARIABLE ONE-EAR CLAMP 22,6MM	3
36	60011094000	CABLE SUPPORT 03	1
37	0125060003	WASHER DIN0125-A 6,4	1
38	60039040020	CABLE SUPPORT GENERATOR 03	1
40	60030090300	% BACK-PRESSURE VALVE CPL.	1
43	60030087101	ENGINE BREATHER HOSE BOTTOM	1
44	60030087102	ENGINE BREATHER HOSE TOP	1

076253901 / C076253902

* NEW PART

X AS REQUIRED

ELECTRIC STARTER

950 SUPERMOTO 2007

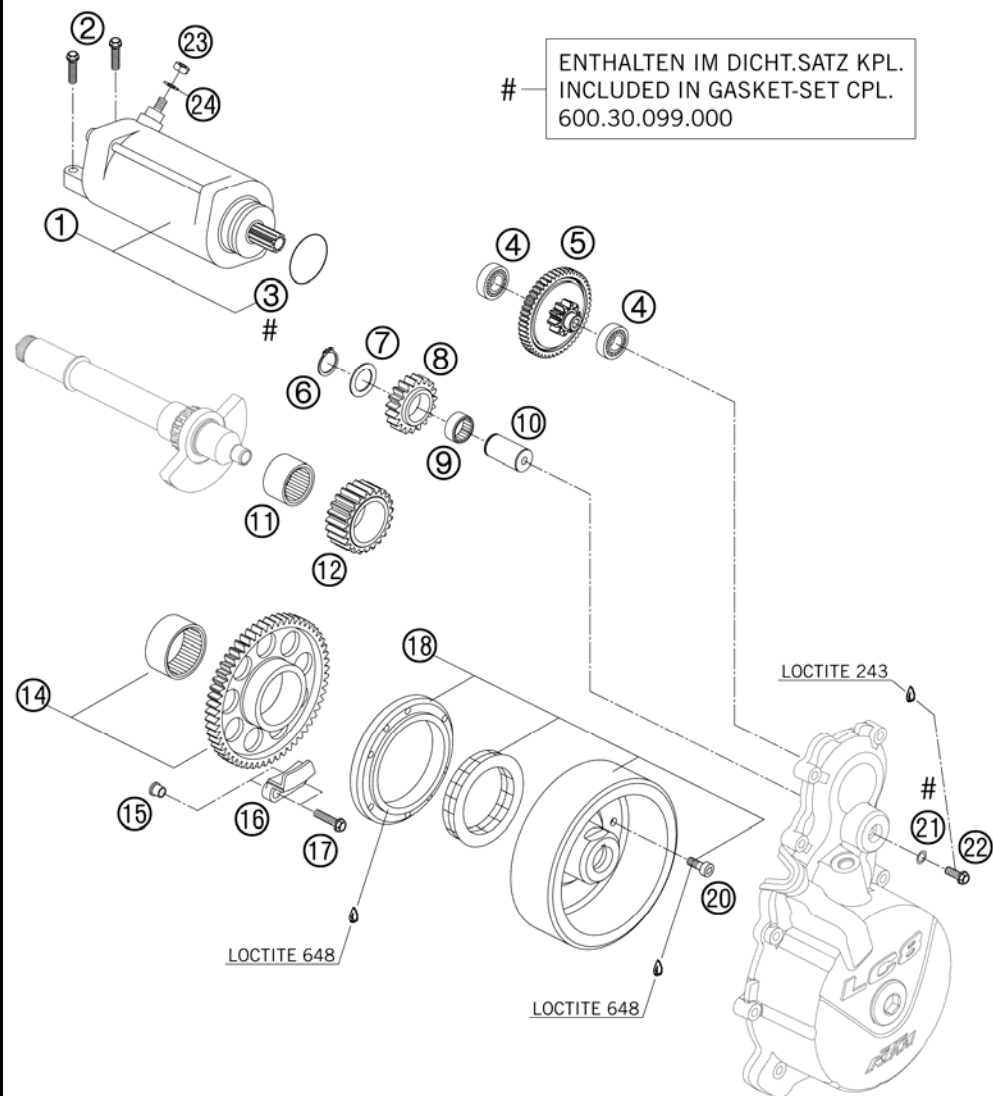
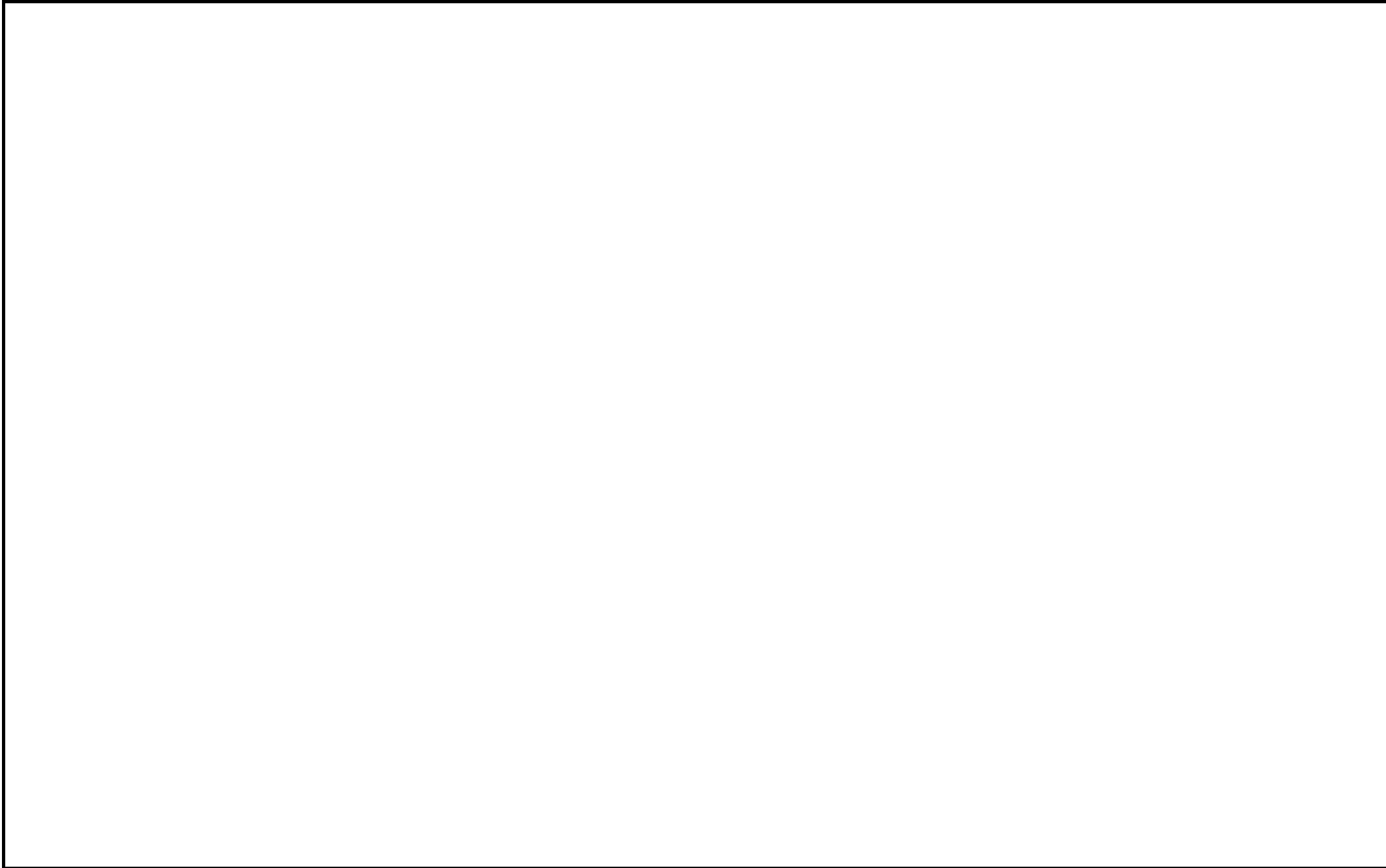


FIG	PART NUMBER	DESCRIPTION	QTY
1	60040001000	E-STARTER ENGINE CPL. LC8-E 03	1
2	0015060253	HH COLLAR SCREW M 6X25 WS=8	2
3	0770335030	O-RING 33,5X3 VITON	1
4	0625160011	GROOV.BALL BEAR. 16001 JRX C3	2
5*	60040017000	TORQUE LIMITER	1
6	0471170010	CIRCLIP DIN0471-17X1	1
7	50333041000	STOP DISC 17,2X26X1 B	1
8*	60040022219	IDLER GEAR 1 19Z	1
9	0405172110	NEEDLE BEARING K 17X21X10	1
10*	60040023100	BEARING BOLT	1
11	0618253220	NEEDLE BUSH HK2520 25/32/20 02	1
12	60040022023	IDLER GEAR 2 23-T 03	1
14	60040020000	FREEWHEEL GEAR WH. 57-T CPL.03	1
15	60040027050	SUPPORTING SLEEVE 03	2
16	60040027000	FREEWHEEL HOLDER 03	1
17	0015060253	HH COLLAR SCREW M 6X25 WS=8	2
18	60039005100	IGNITION ROTOR 04 INCL. FREEWHEEL	1
20	0984060166	AH SCREW DIN6912 M6X16 10.9	6
21	0603061001	CU-SEAL RING DIN7603-6X10X1	1
22	0015060163	HH COLLAR SCREW M 6X16 WS=8	1
23	0985060003	SELF LOCK. NUT DIN0985-M 6	1
24	0125060003	WASHER DIN0125-A 6,4	1

076304000 / C076304000

* NEW PART

X AS REQUIRED







KTM-Sportmotorcycle AG
A-5230 Mattighofen
www.ktm.at

KTM Group Partner



3CM089830GEN



Art.Nr.: 3CM089830GEN 9/2006