

# 950 SUPERENDURO R EU 2007

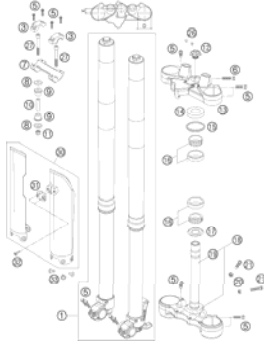
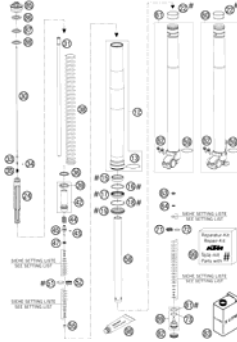

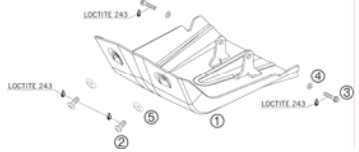
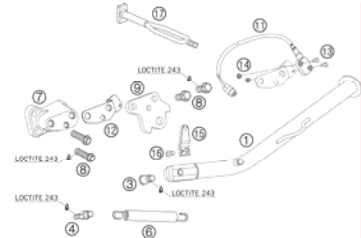

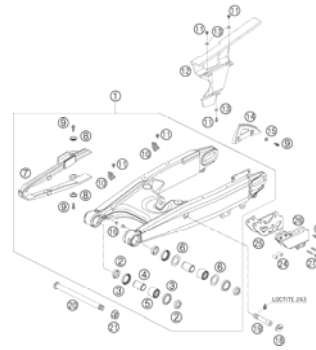
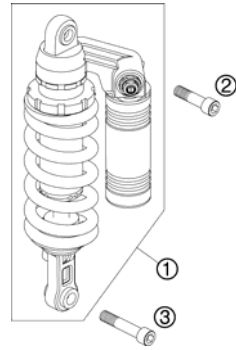
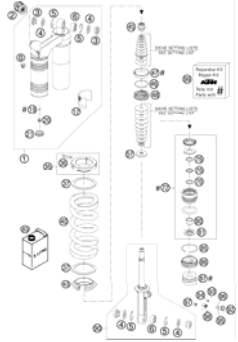
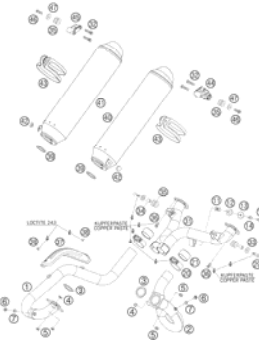
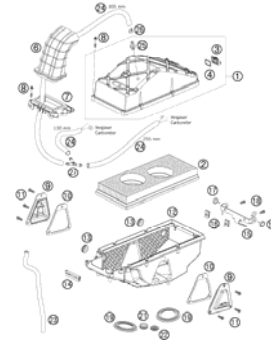
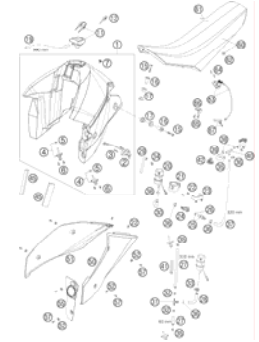
**SPARE PARTS MANUAL: CHASSIS**



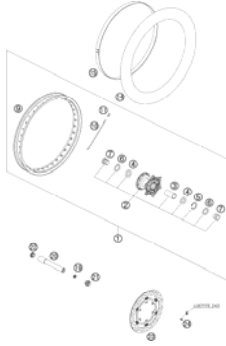
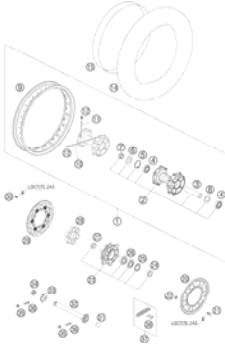
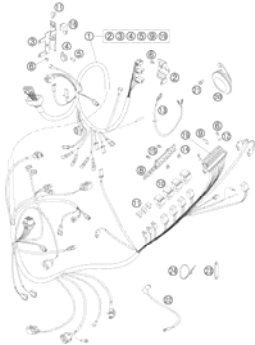
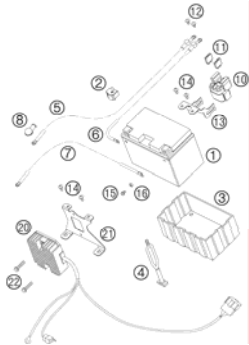
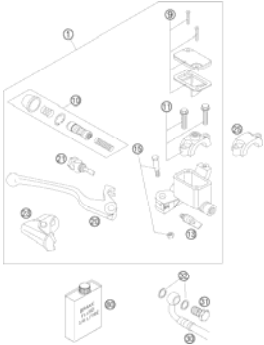
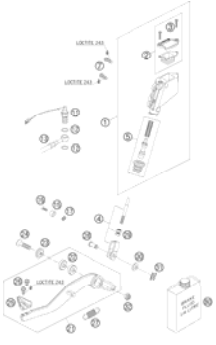
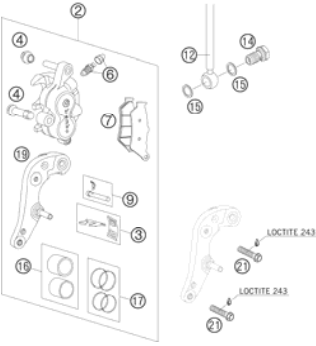
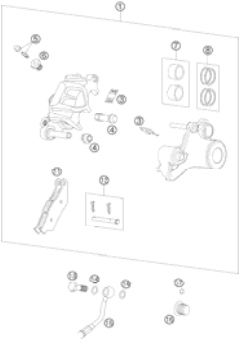
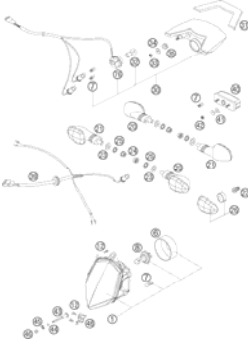

**ART.NO.: 3CF9803G9EN**

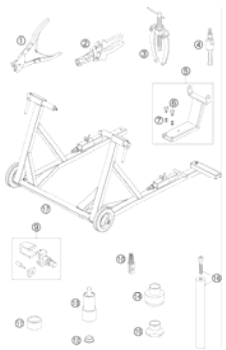

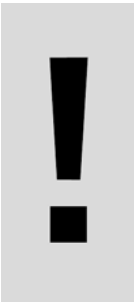
**ENGLISH**





<p><b>TELESCOPIC FORK</b></p>  <p><b>4</b></p>	<p><b>FORK LEGS</b></p>  <p><b>5</b></p>	<p><b>HANDLEBAR, CONTROLS</b></p>  <p><b>7</b></p>	<p><b>ENGINE GUARD</b></p>  <p><b>8</b></p>
<p><b>SIDE STAND</b></p>  <p><b>9</b></p>	<p><b>FRAME, SUB FRAME</b></p>  <p><b>10</b></p>	<p><b>SWING ARM</b></p>  <p><b>12</b></p>	<p><b>MONOSHOCK</b></p>  <p><b>13</b></p>
<p><b>SHOCK ABSORBER DISASSEMBLED</b></p>  <p><b>14</b></p>	<p><b>EXHAUST SYSTEM</b></p>  <p><b>16</b></p>	<p><b>AIR FILTER BOX</b></p>  <p><b>17</b></p>	<p><b>TANK, SEAT, COVER</b></p>  <p><b>18</b></p>

<b>DECAL</b>  <b>20</b>	<b>MASK, FENDERS</b>  <b>21</b>	<b>FRONT WHEEL</b>  <b>23</b>	<b>REAR WHEEL</b>  <b>24</b>
<b>WIRING HARNESS</b>  <b>25</b>	<b>BATTERY</b>  <b>26</b>	<b>HAND BRAKE CYLINDER</b>  <b>27</b>	<b>REAR BRAKE CONTROL</b>  <b>28</b>
<b>BRAKE CALIPER FRONT</b>  <b>29</b>	<b>BRAKE CALIPER REAR</b>  <b>30</b>	<b>LIGHTING SYSTEM</b>  <b>31</b>	<b>SPEEDOMETER</b>  <b>32</b>

<p><b>SPECIAL TOOLS</b></p>  <p style="text-align: right;"><b>33</b></p>	<p><b>ACCESSORIES</b></p>  <p style="text-align: right;"><b>34</b></p>		
	<div style="display: flex; align-items: center;">  <p>All information contained is without obligation. KTM-Sportmotorcycle AG particularly reserves the right to modify any equipment, technical specifications, prices, colors, shapes, materials, services, service work, constructions, equipment and the like so as to adapt them to local conditions or to cancel any of the above items, all without previous announcement and without giving reasons. KTM may stop manufacturing certain models without previous notice. KTM shall not be held liable for any deviations of availability and/or ability to deliver, illustrations, descriptions, printing and/or other errors. The illustrated models partly contain extra equipment, which is not applied to standard models. © by KTM-SPORTMOTORCYCLE AG, Mattighofen AUSTRIA; All rights reserved; Reprint, also in extracts, with written allowance of KTM-SPORTMOTORCYCLE AG, Mattighofen only.</p> </div>		

# TELESCOPIC FORK

950 SUPERENDURO R EU 2007

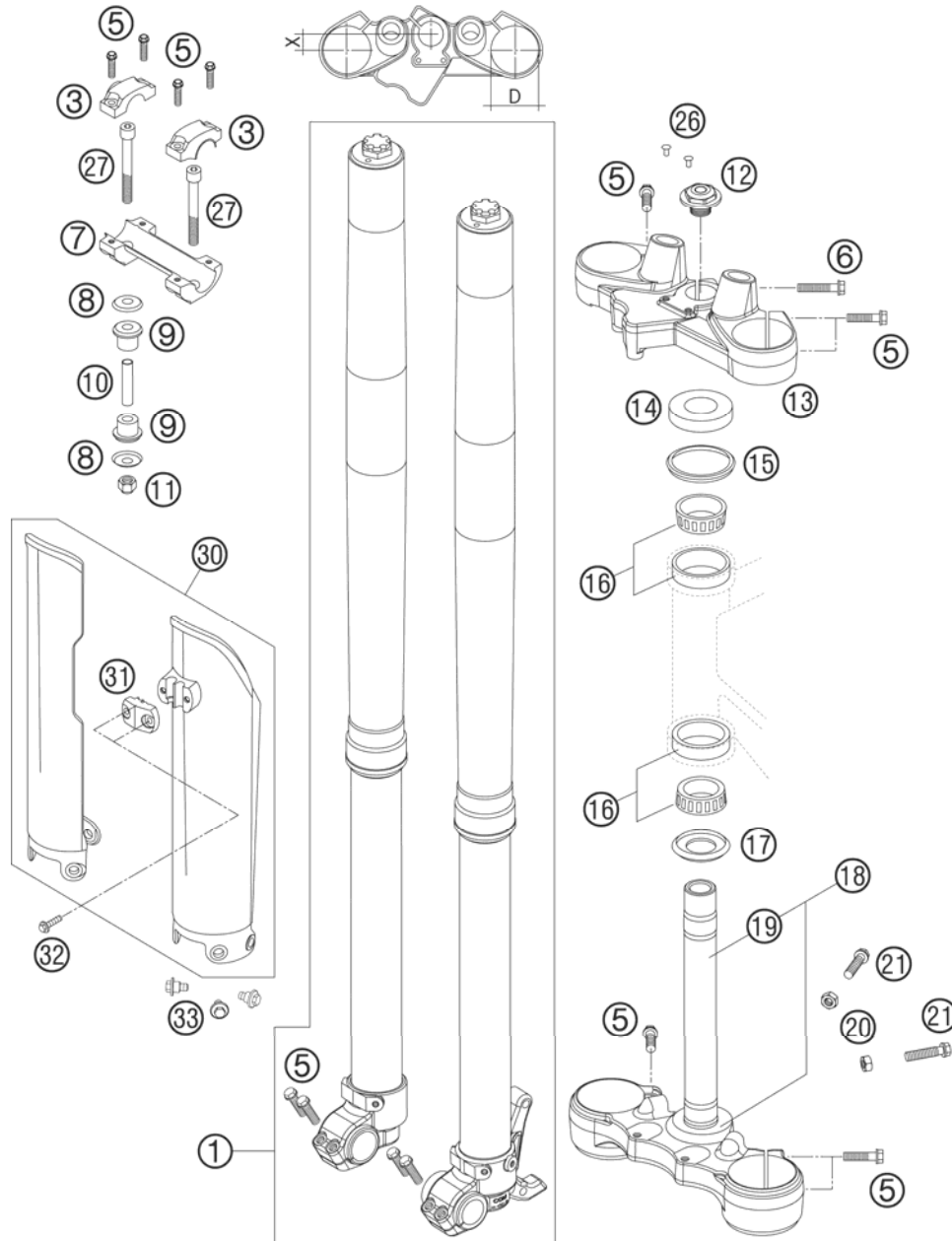


FIG	PART NUMBER	DESCRIPTION	QTY
1*	14187C32	FRONT FORK WP SUPERENDURO 07	1
3*	5900103830001S	HANDLEBAR CLAMP 28MM 07	2
5	0015080303	HH COLLAR SCREW M 8X30 WS=10	16
6	0015080353	HH COLLAR SCREW M 8X35 WS=10	1
7*	5900103920001S	HANDLEBAR SUPPORT 28MM 07	1
8	56401042000	WASHER 10,5X32X2	4
9	56401040000	RUBBER BUSHING	4
10	56401041100	SPACER TUBE 10,2X12X44	2
11	0982100003	SELF LOCK.NUT DIN0982-M10 HIGH	2
12	54801036200	STEER.HEAD SCREW M20x1,5 SW=27	1
13*	6000103402001S	TOP TRIPLE CLAMP X=20MM D=54MM	1
14	61001086000	STEERING HEAD COVER 05	1
15	54601184000	STEERING HEAD GASKET TOP	1
16	54201081100	TAPERED ROLLER BEARING CPL. 06	2
17	54601084100	O-RING SUPPORT W. SEALING LIP	1
18*	6000103202001S	BOTTOM TRIPLE CLAMP CPL D=60MM	1
19	60001033000	FORK TUBE LC8 ADV 03	1
20	0934080003	HEXAGON NUT DIN0934-M 8	2
21	0933080253	HH SCREW DIN0933-M 8X25	2
26	60103088000	PLUG ZK 8/5 06	2
27	0984100703	AH SCREW DIN6912-M10X70	2
30	5900109400030	FORK PROTECT. L/S+R/S BLACK 02	1
31	58201085000	CLAMP F.SPEED CABLE D=8MM 2001	1
32	0017060203	EJOT PT SCREW K60X20 WS=6	2
33	59001092050	SPECIAL SCREW M6X12,5 WS=8	6

066300100 / C076300100

\* NEW PART

X AS REQUIRED

# FORK LEGS

# 950 SUPERENDURO R EU 2007

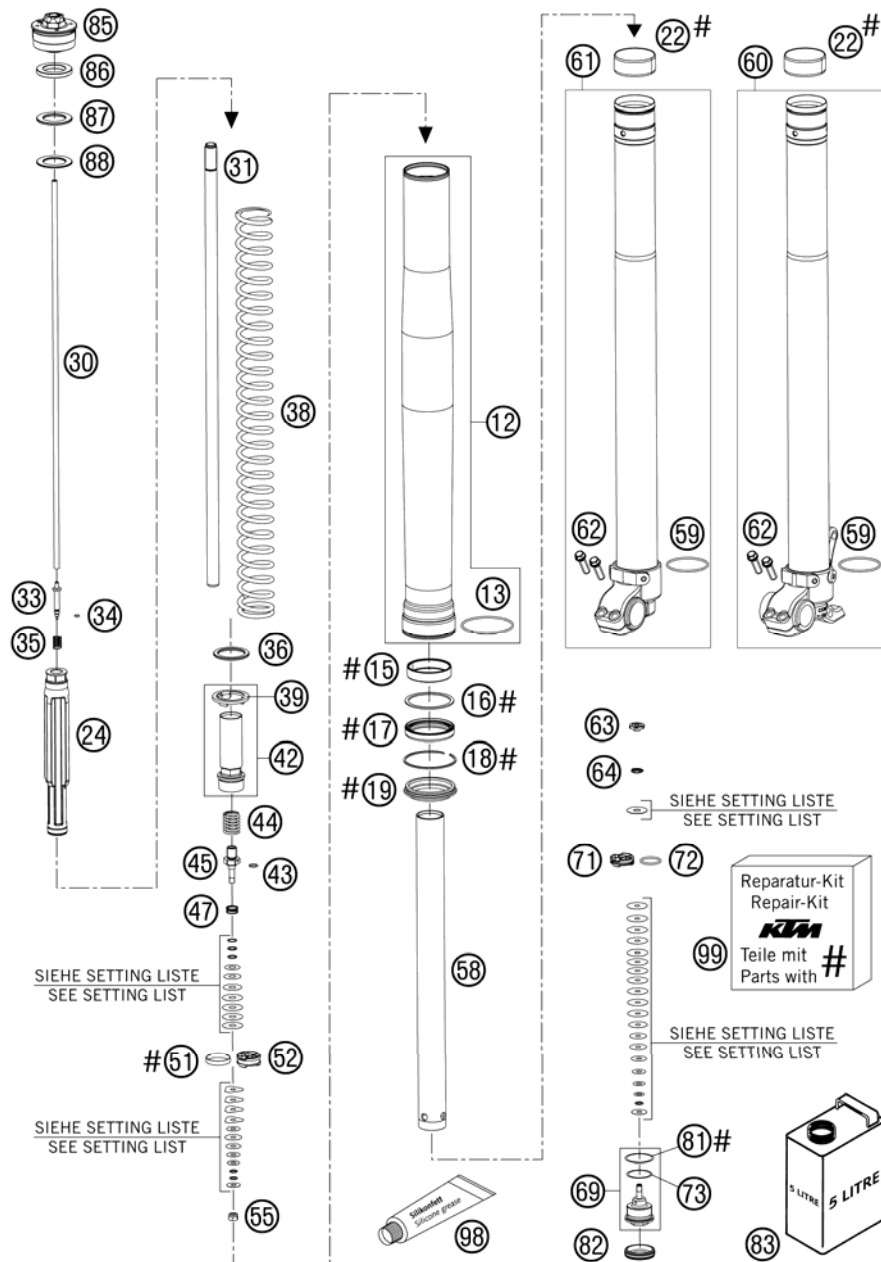


FIG	PART NUMBER	DESCRIPTION	QTY
12	48600553E	OUTER TUBE L=640MM D=54/60 06	2
13	48600016	GUIDING RING D=58MM	2
15	48600429	DU-BUSH D48XD52X12DDL02	2
16	48600013	SUPPORT RING 50 X 57,6 X 1,5	2
17	48600399	OIL SEAL RING 48X57,8X9,5	2
18	48600070	LOCK WASHER SB58	2
19	48600400	DUST CAP D=48 58,4X11,8	2
22	48600428	DU-BUSH D47XD49X20DDL02	2
24	48600241S1	HYDR.STOP L=200MM D=31,9 CPL.	2
30	48600143	ADJUSTMENT TUBE L=467MM 06	2
31	48600538	PISTON ROD D=14 M11X1 L=501	2
33	48600189	NEEDLE REBOUND 2003	2
34	48600046	O-RING NBR 3X1,5	2
35	48600033	SPRING REBOUND NEEDLE C=4N/MM	2
36	48600037	SPACER 42X26,5X5	2
38	91410045S	SPRING 5,9 N/MM SET D=5,5MM	2
39	48600021	INTERM. RING 26,2 X 43 X 3	2
42	48600196S	SCREW SLEEVE M29,3X1 L=90 CPL.	2
43	48600239	O-RING NBR 8X1,25	2
44	48600403	REBOUND SPRING D=15MM L=34,5MM	2
45	48600203	TAB REBOUND D=3 03	2
47	35480377	SPRING CHECK VALVE D=0,5	2
51	48600060	PISTON RING 5X1X84	2
52	48600042	PISTON REBOUND D=27,7	2
55	40540486	NUT M6X0,5 REBOUND	2
58	48600537	TUBE 28X29,3X1 L=435 ALU D=8,5	2
59	48600048	O-RING NBR 46 X 2	2
60	48600534S1	AXLE CLAMP L/S + TUBE CPL. 07	1
61	48600238S2	AXLE CLAMP R/S + TUBE CPL. 07	1
62	0015080253	HH COLLAR SCREW M 8X25 WS=10	4
63	48600163	CHECK VALVE NUT M6X0,5 D=2	2
64	48600202	SPRING CHECK VALVE D=0,7	2
69	48600152S1	TAP COMPRESSION CPL. 03	2
71	48600047	PISTON COMPRESSION D=27,9	2
72	46811499	O-RING NBR 21X2	2
73	35480320	O-RING NBR 24X2	2

076300150 / C076300150

\* NEW PART

X AS REQUIRED

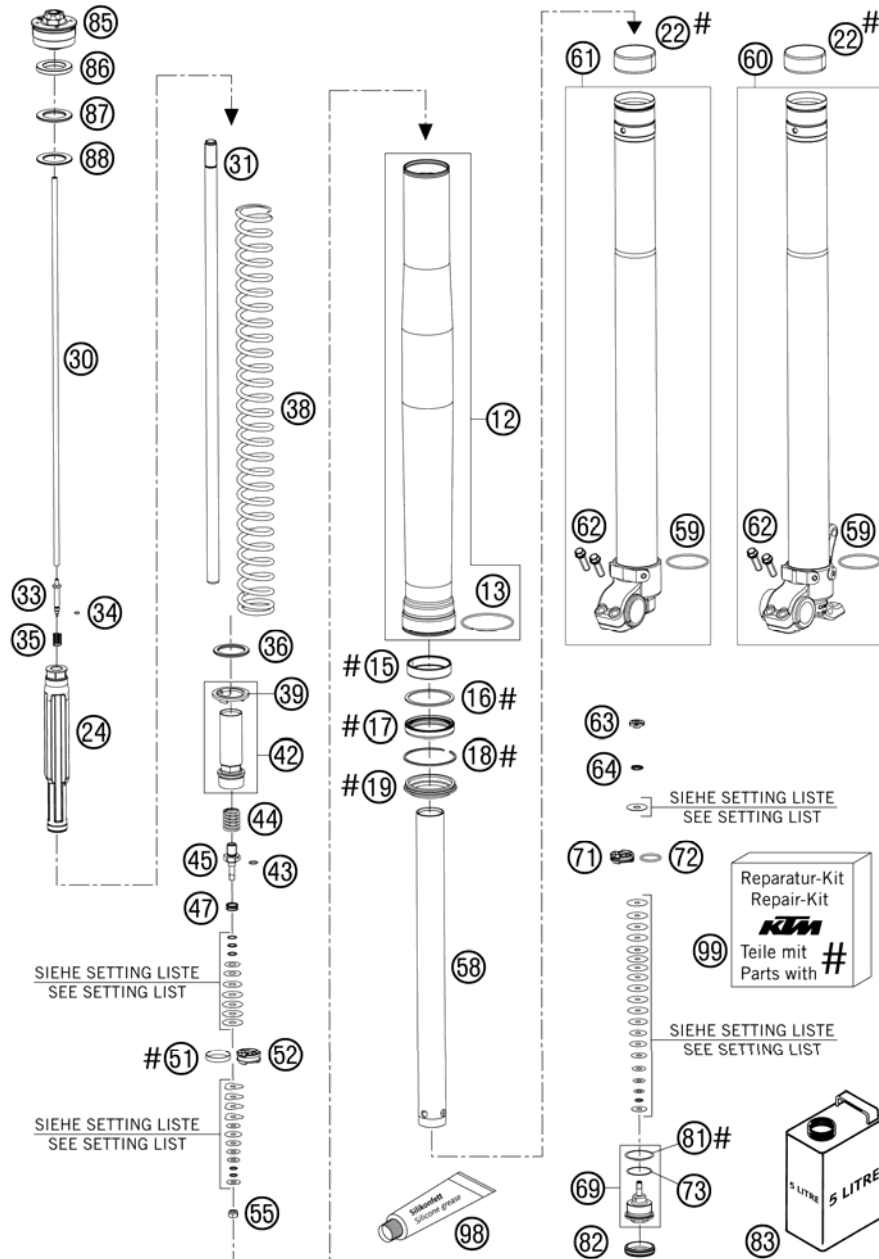


FIG	PART NUMBER	DESCRIPTION	QTY
81	48600004	COPPER WASHER 29,5X33,5X1	2
82	48600141	RUBBER CAP D=35MM	2
83	48600401S1	FORK OIL SAE 5 2005	1
85	48600431S	PRE-LOAD ADJ. CPL. M51X1,5 05	2
86	48600053	SPACER 42X26,5X1,5	2
87	48600036	SPACER 42X26,5X2,5	2
88	48600038	SPACER 42X26,5X10	2
98	T511	SILICONE GREASE F. DUST STRI	1
99	R14013	REPAIR-KIT GASKET 4860 MXMA 06	1

076300150 / C076300150

\* NEW PART

X AS REQUIRED



# HANDLEBAR, CONTROLS

950 SUPERENDURO R EU 2007

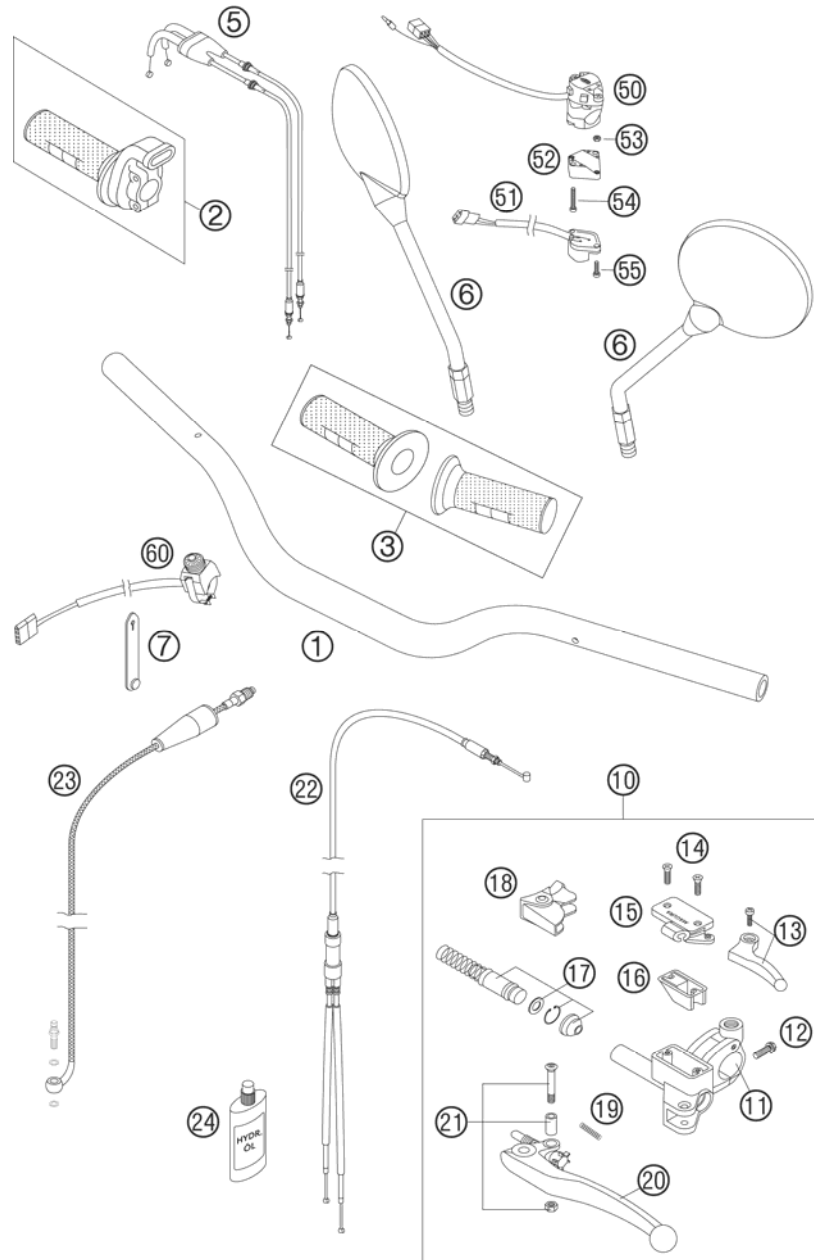


FIG	PART NUMBER	DESCRIPTION	QTY
1	59002001000	HANDLEBAR 28MM HIGH 2000	1
2	63002010000	THROTTLE GRIP CPL. 06	1
3	63002021000	GRIP-SET 2K	1
5	60002091000	THROTTLE CABLE LC8 ADV 2003	1
6	58412040100	REAR MIRROR L/S+R/S LC4 2001	2
7	60011093045	RUBBER CABLE TIE 45MM 03	x
10	60002030000	MASTER CYLINDER CPL. LC8 2003	1
11	60002044000	CLAMP MIRROR WITH CLAMP	1
12	0015060203	HH COLLAR SCREW M 6X20 WS=8	1
13	60036050000	CHOKE LEVER CPL. LC8 2003	1
14	0965040123	FLAT HEAD SCREW DIN0965-M 4X12	2
15	60002033000	COVER HYD.CLUTCH WITH CHOKE 03	1
16	50302034000	RUBBER FOR RESERVOIR '98	1
17	50302032000	REP.SET PISTON CLUT.HYDR. '98	1
18	50302037000	PROTECT.CAP FOR LEVER PERCH'98	1
19	59002035000	SPRING FOR CLUTCH LEVER 03	1
20	60002031000	CLUTCH LEVER LONG CPL. 2003	1
21	50302038000	LEVER SCREW CPL. 125-200 '98	1
22	60002095000	CHOKE CABLE LC8 ADVENTURE 03	1
23	60032063100	CLUTCH PIPE LC8 ADV '03	1
24	50302036200	OIL FOR HYD. CLUTCH 75ML	1
50	50311070100	H.LIGHT SWITCH CEV EGS AUS.'98	1
51	50311029000	FLASHER SWITCH CEV '98	1
52	13011070060	ADAPTER FOR FLASHER SWITCH '98	1
53	0934040003	HEXAGON NUT DIN0934-M 4	2
54	0084040223	CYL.HEAD SCREW DIN0084-M 4X22A	2
55	0985040163	FLAT HEAD SCREW DIN7985-M 4X16	2
60	63011074000	STARTER BUTTON 06	1

066300200 / C066300200

\* NEW PART

X AS REQUIRED

# ENGINE GUARD

950 SUPERENDURO R EU 2007

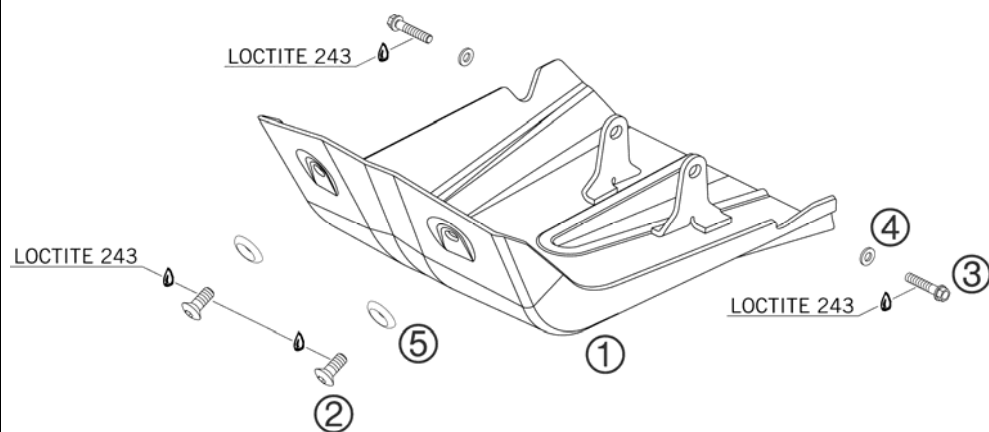


FIG	PART NUMBER	DESCRIPTION	QTY
1	63003090000	UNDERRIDE PROTECTION 06	1
2	54610052000	SPROCKET SCREW-AH M8X20 WS=6	2
3	0015080303	HH COLLAR SCREW M 8X30 WS=10	2
4	0125080003	WASHER DIN0125-A 8,4	2
5	58303061100	SPECIAL WASHER ALU 8X24 MM ELO	2

066300320 / C066300320

\* NEW PART

X AS REQUIRED

# SIDE STAND

# 950 SUPERENDURO R EU 2007

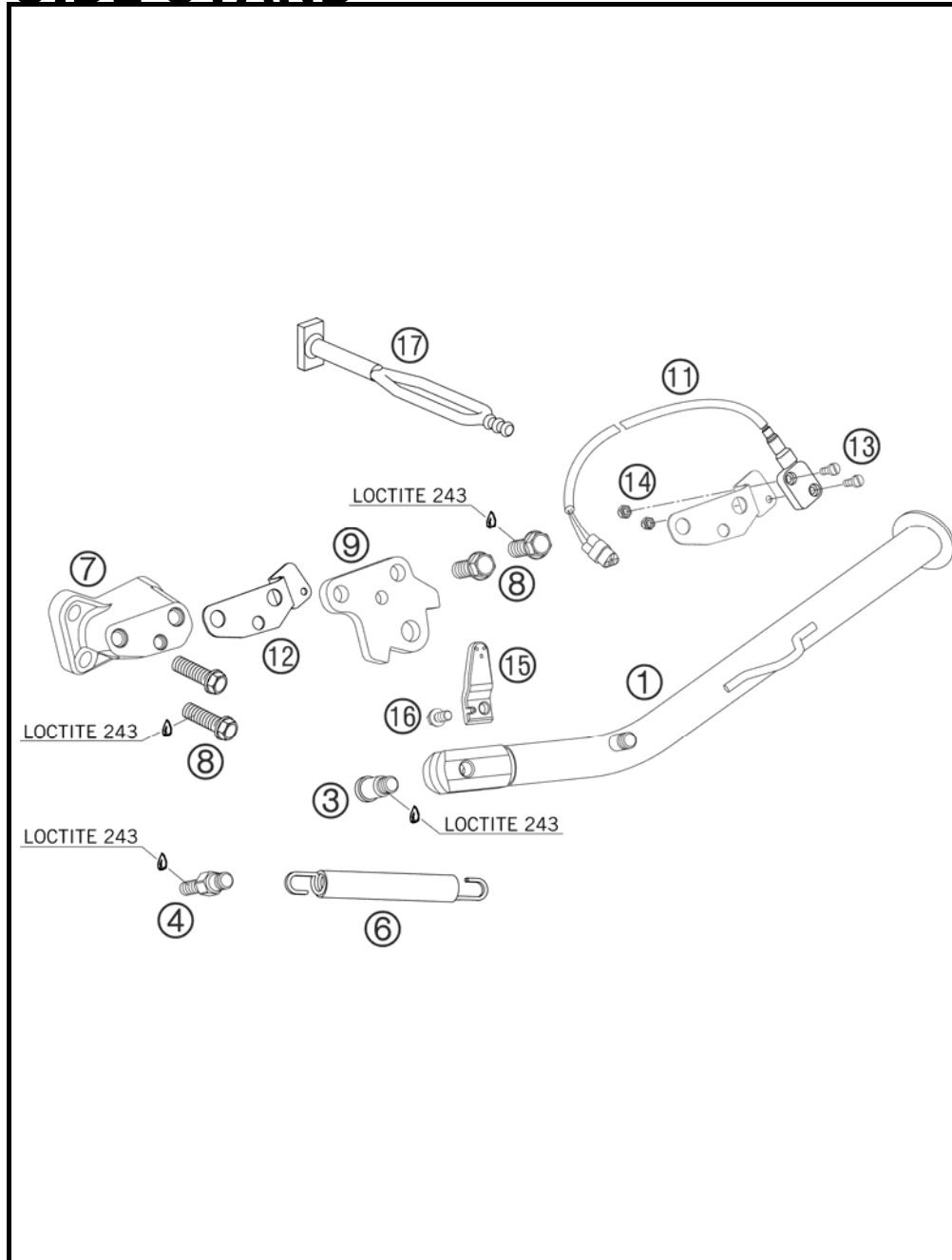


FIG	PART NUMBER	DESCRIPTION	QTY
1	6300302300030	SIDE STAND L=349MM SE 06	1
3	62503027100	SCREW F. SIDE STAND M10X31,2	1
4	61003028001	SCREW SIDE STAND SPRING 05	1
6	61003024000	SPRING L=116 MM 05	1
7	60003026000	SIDE STAND BRACKET 03	1
8	0015100303	HH COLLAR SCREW M10X30 WS=13	4
9	60103028000	SIDE STAND PICKUP 06	1
11	61011045000	SIDE STAND SENSOR 05	1
12	60103029000	SUPPORT F.SIDE STAND SWITCH 06	1
13	0084040123	CYL.HEAD SCREW DIN84A M4x12	2
14	0985040003	SELF LOCKING NUT DIN985-M 4	2
15	60103029050	MAGNET HOLDER ADV. 06	1
16	0015060123	HH COLLAR SCREW M 6X12 WS=8	1
17	50303018000	RUBBER L=145MM	1

066300350 / C066300350

\* NEW PART

X AS REQUIRED

# FRAME, SUB FRAME

# 950 SUPERENDURO R EU 2007

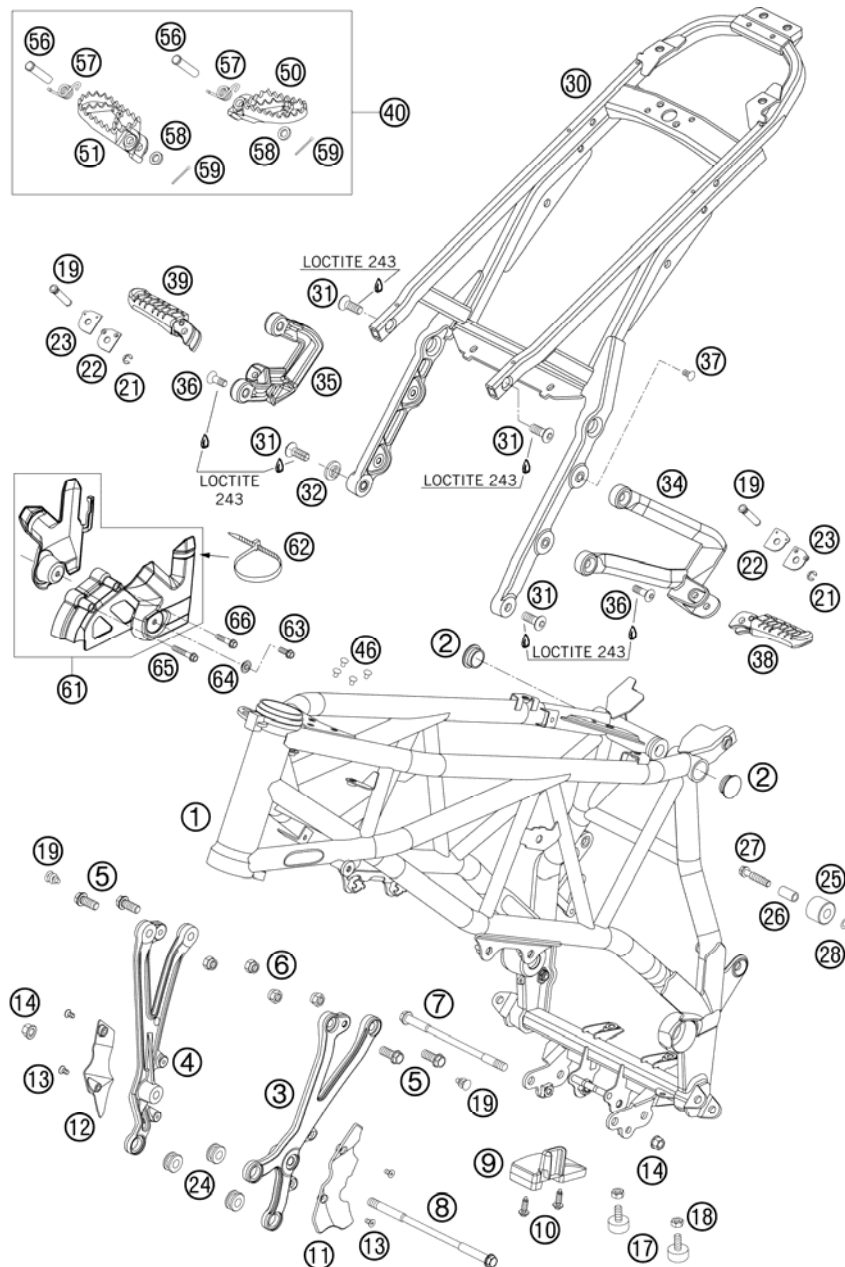


FIG	PART NUMBER	DESCRIPTION	QTY
1	6300300100004	FRAME "FE06" 950 SE	06
2*	61003088000	PLUG SFL28	05
3*	6250300500001S	ENGINE SUPPORT L/S	07
4*	6250300600001S	ENGINE SUPPORT R/S	07
5	0015100243	HH COLLAR SCREW M10X24 WS=13	4
6	54310086100	SELF LOCKING NUT M10 CU WS=14	4
7	60003013000	ENGINE BRAC. SCREW M10X172 03	1
8	60003014000	ENGINE BRAC. SCREW M10X206 03	1
9	60004076100	CHAIN SLIDING BLOCK 05	1
10	0017060204	EJOT PT SCREW K60X20 ALU WS=6	2
11	62503005050	COVER ENGINE SUPPORT LEFT 05	1
12	62503006050	COVER ENGINE SUPPORT RIGHT 05	1
13	0991050102	FLAT H.SCEW DIN7991-M5X10 10.9	4
14	54630044000	COLLAR NUT M10 WS=13	2
17	58303070100	BUMP RUBBER M8X25MM	2
18	0934080003	HEXAGON NUT DIN0934-M 8	2
19	54403135000	PLASTIC CAP SFL10	2
20*	60003044000	BOLT FOR FOOTREST REAR 03	2
21*	0799060003	TAB WASHER DIN6799-RS 6,0	2
22*	60003152000	ENGAGE PANEL FOOTREST L/S 03	2
23*	60003052000	ENGAGE PANEL FOOTREST R/S 03	2
24	60003098000	RUBBER SLEEVE 03	3
25	58403060000	CHAIN ROLL 12X29X22,5 '98	1
26	58403060065	BUSH CHAIN ROLL 8X12X23 '98	1
27	0015080403	HH COLLAR SCREW M 8X40 WS=10	1
28	36003014000	LOCK WASHER 8MM	1
30*	6250300210092	SUB FRAME 07	1
31	60003004027	FL.HEAD SCREW M10X1,25 L=27 03	4
32	60003001051	COLLAR BUSHING 10X15X25X4 03	1
34*	6250304800001S	FOOTREST BRACKET REAR L/S 07	1
35*	6250304900001S	FOOTREST BRACKET REAR R/S 07	1
36*	54510052100	SPROCKET SCREW-AH M8X26 WS=6	4
37	54403135000	PLASTIC CAP SFL10	x
38*	60003050000	FOOTREST CPL. L/S REAR 03	1
39*	60003051000	FOOTREST CPL. R/S REAR 03	1
40	5030314013390	FOOTREST L.+R. CPL. 03	1

076300300 / C076300300

\* NEW PART

X AS REQUIRED

# FRAME, SUB FRAME

# 950 SUPERENDURO R EU 2007

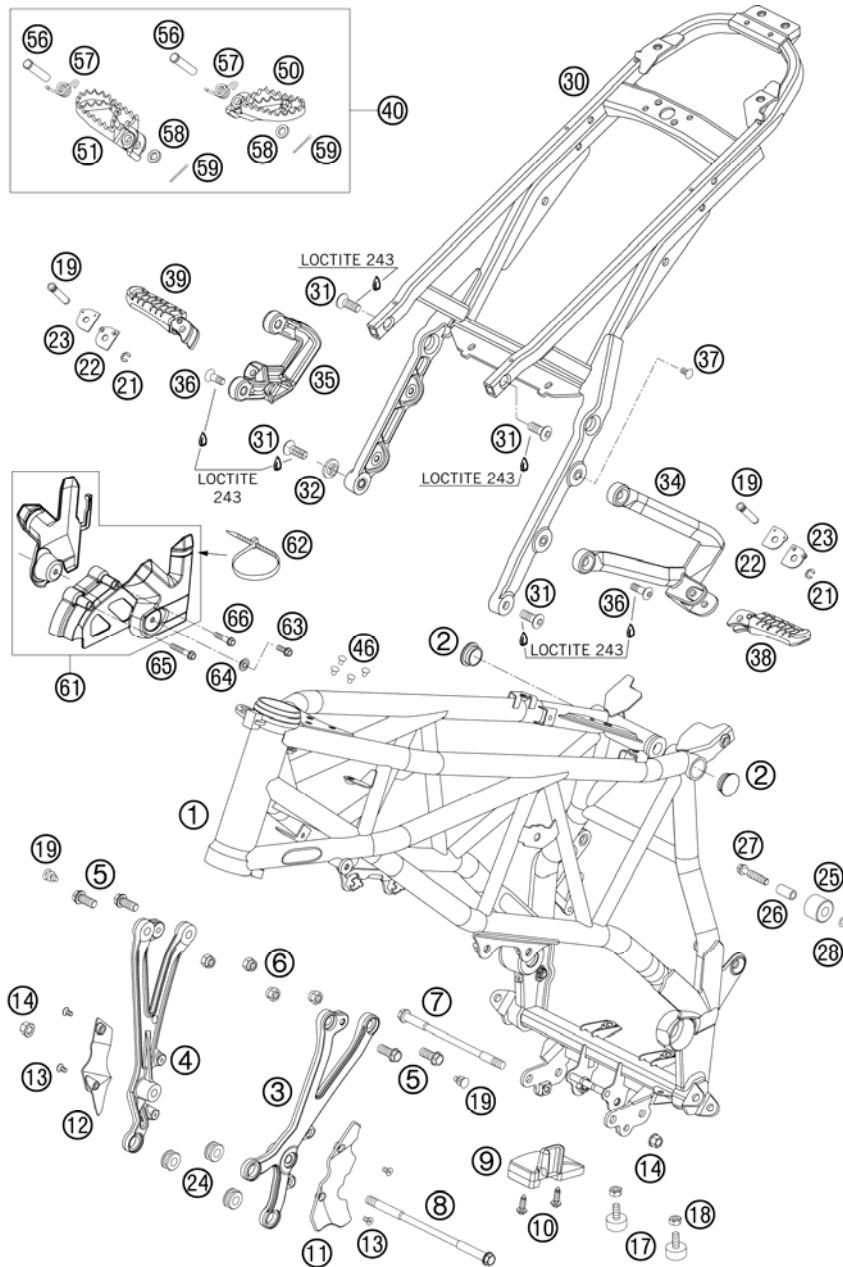


FIG	PART NUMBER	DESCRIPTION	QTY
46*	60103088000	PLUG ZK 8/5	06
50	59003040250	FOOT PED L/S SILVER	02
51	59003041250	FOOT PED R/S SILVER	02
56	54803044000	BOLT FOR FOOT PED	03
57	54603041000	FOOTREST SPRING L/S & R/S	2
58	0125100003	WASHER DIN0125-A10,5	2
59	0094032253	PIN DIN0094-3,2X25 STEEL	2
61	63003094000	FRAME PROTECTION SET	06
62	44011076305	CABLE TIE 300/4,8MM BLACK	2
63	0015060163	HH COLLAR SCREW M 6X16 WS=8	2
64	50308052000	BUSH FOR SPOILER 6X11X16X5 MM	2
65	0015060353	HH COLLAR SCREW M 6X35 WS=8	1
66	0015060303	HH COLLAR SCREW M 6X30 WS=8	1

076300300 / C076300300

\* NEW PART

X AS REQUIRED

# SWING ARM

# 950 SUPERENDURO R EU 2007

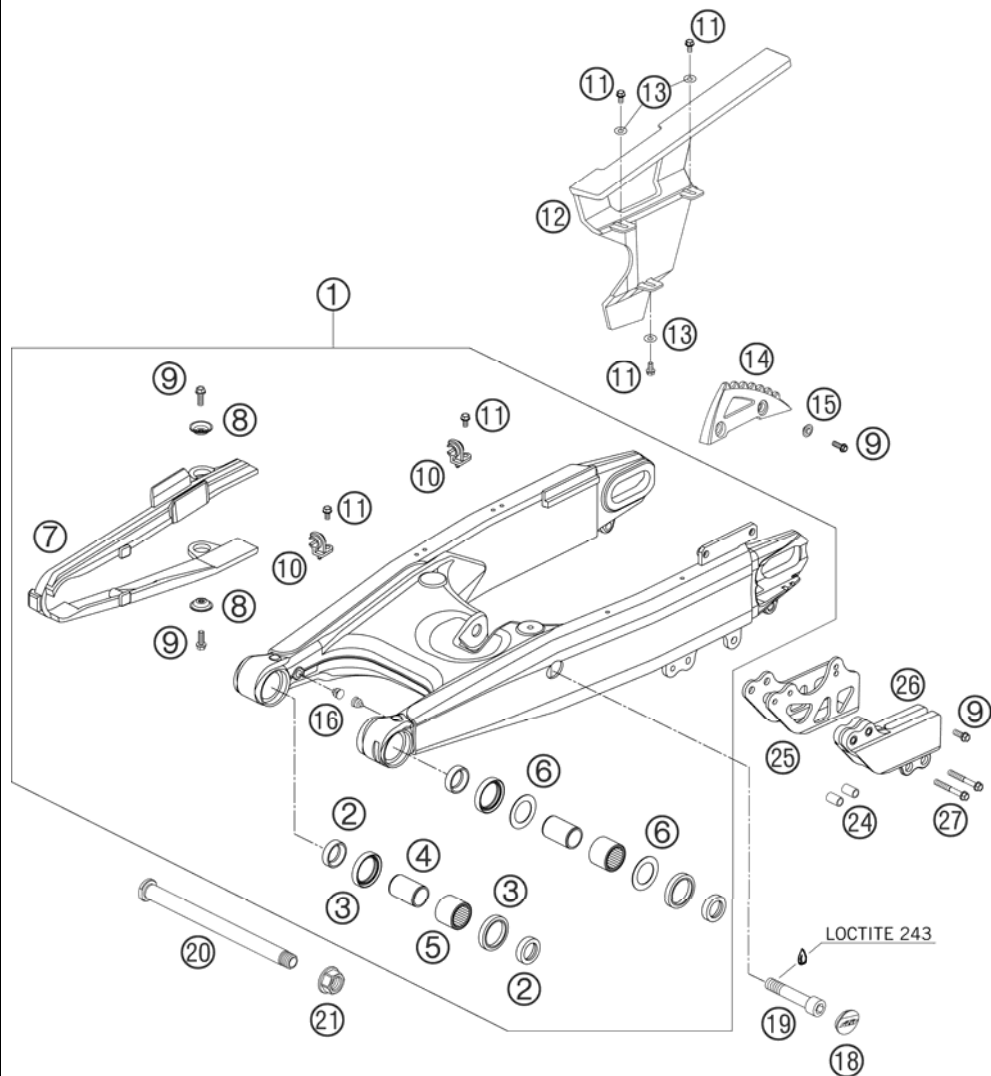


FIG	PART NUMBER	DESCRIPTION	QTY
1	63004030044	SWING ARM CPL. 950 SE 06	1
2	60004034000	BUCKET F. SHAFT SEAL RING 03	4
3	0760304073	SHAFT SEAL RING 30X40X7	4
4	60004032000	INNER RING JR20X25X38,5 03	2
5	60004031000	NEEDLE BUSH HK2526B 03	2
6	60004033000	STOP DISK 03	2
7	63004066000	CHAIN SLID. GUARD SWINGARM 06	1
8	72210079000	BUCKET	2
9	0015060163	HH COLLAR SCREW M 6X16 WS=8	5
10	5461107610030	RET. CLAMP F. BRAKE HOSE BLACK	2
11	0009050103	SPECIAL SCREW M 5,0X10	5
12	60004061100	CHAINGUARD 06	1
13	0021050003	WASHER DIN9021-A 5,3	3
14	60004075000	REAR SPROCKET GUARD 03	1
15	50308053000	BUSH FOR SPOILER 6X11X16X7,5	2
16	60004042000	PLUG SFL12 GREY 05	2
18	60004041000	PLUG SWINGARM 03	1
19	60004017000	SCREW M14X1,5 L=73MM 03	1
20	63004037144	SWING ARM BOLT 272,5MM 06	1
21	60004038000	COLLAR NUT M19X1,5 WS=27MM 03	1
24	54607072100	BUSH 6,5X10X22MM	2
25	54607070144	RETAINING PLATE CPL.	1
26	63004070000	CHAIN GUIDE 06	1
27	0015060503	HH COLLAR SCREW M 6X50 WS=8	2

066300400 / C066300400

\* NEW PART

X AS REQUIRED

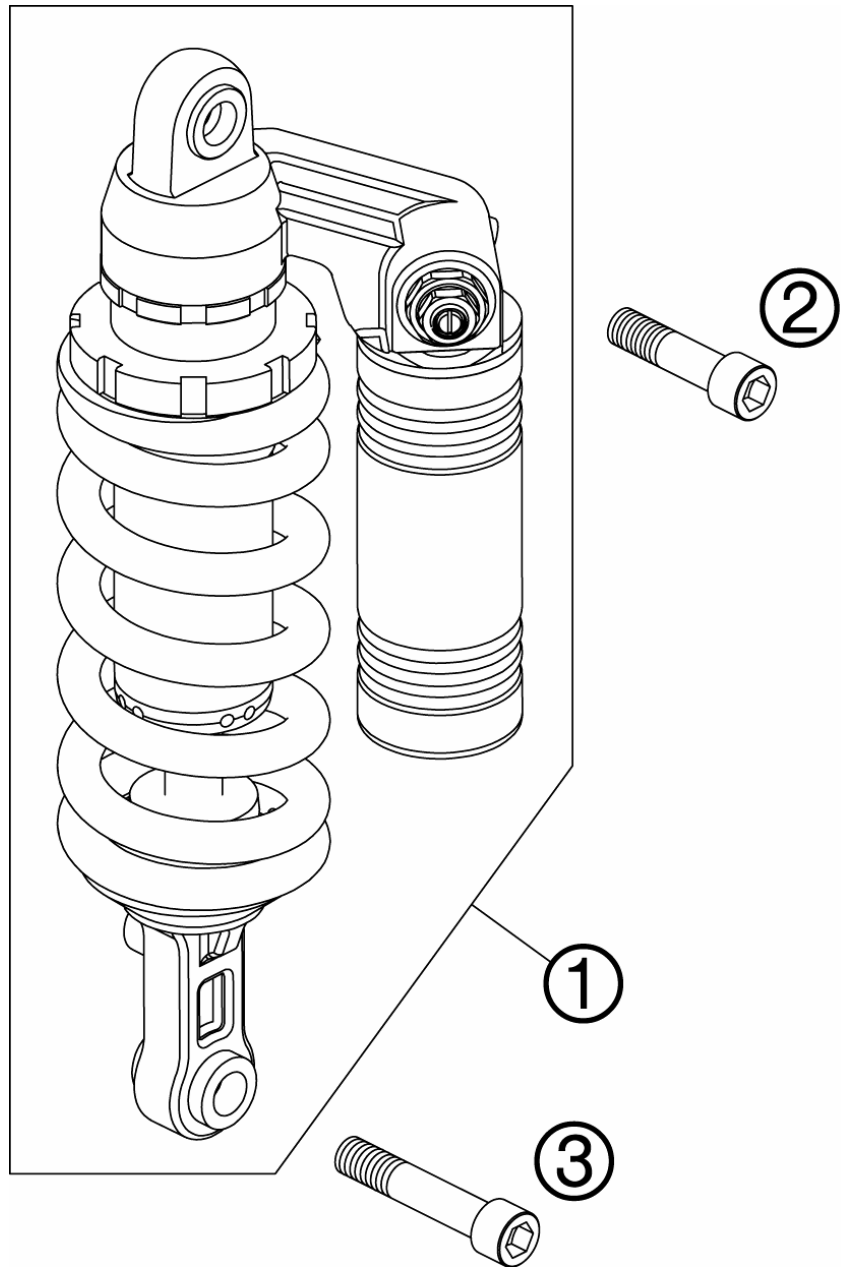


FIG	PART NUMBER	DESCRIPTION		QTY
1*	15187C06	MONOSHOCK SUPERENDURO	07	1
2	60004016000	SCREW M14X1,5 L=55MM	03	1
3	60004017000	SCREW M14X1,5 L=73MM	03	1

076300450 / C076300450

\* NEW PART

X AS REQUIRED

# SHOCK ABSORBER DISASSEMBLED

950 SUPERENDURO R EU 2007

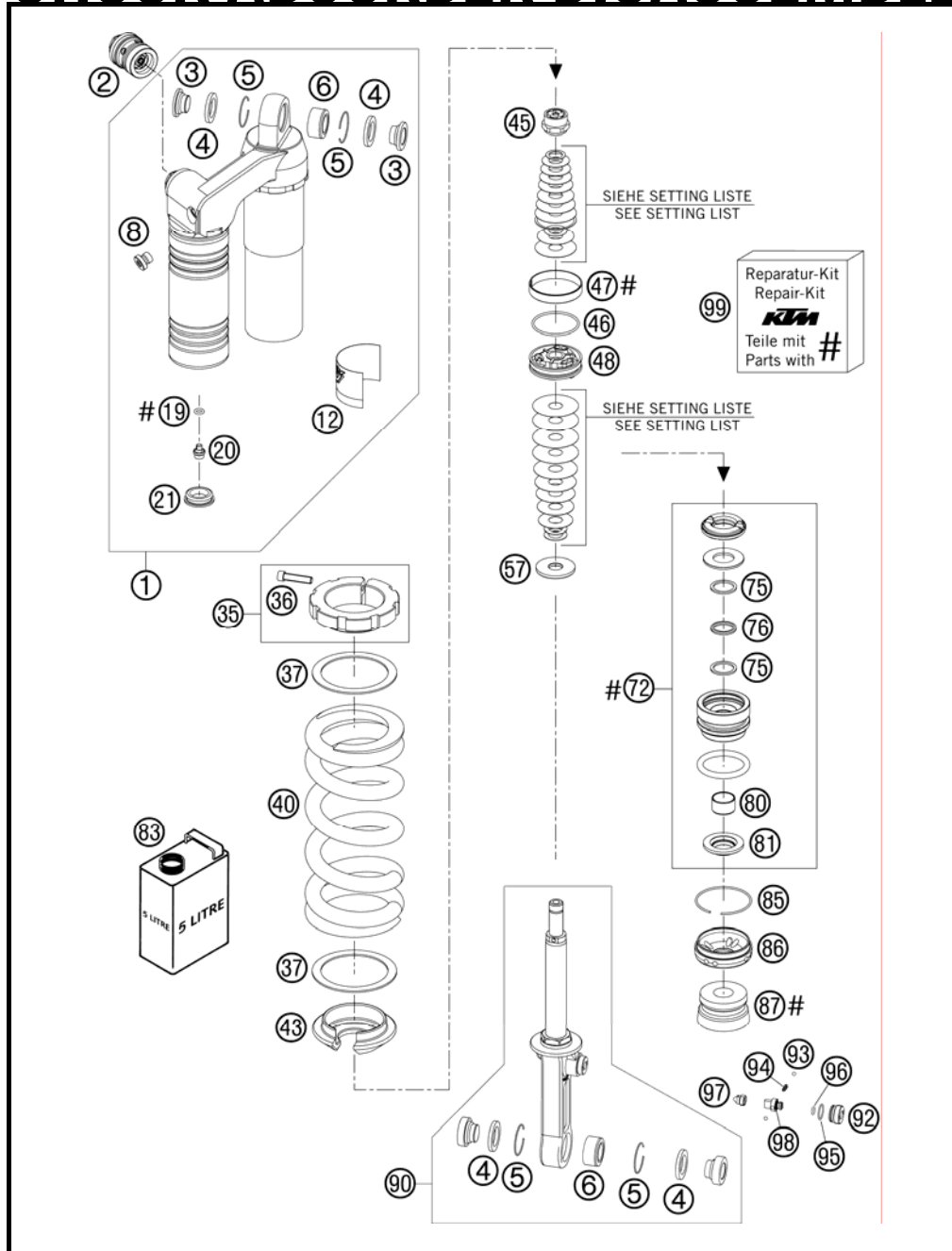


FIG	PART NUMBER	DESCRIPTION	QTY
1	46180398S2	MONOSHOCK TOP PART CPL. 07	1
2	50180213S4	DCC-COMPR.DAMP.CONTROL CPL. 03	1
3	50180366	ADAPTOR BUSH KGW 14X24	2
4	46180003	OIL SEAL KGW D=25	4
5	50180168	WASHER KGW D=25	4
6	50180005	BUSHING KGW 1525 HD	2
8	50180095	BLEED PLUG R 1/8	1
12	52000044	STICKER WP KTM	1
19	46810893	O-RING NBR 5,28X1,78	1
20	36120151	SCREW PLUG M5X6	1
21	46811208	RUBBER CAP "DO NOT OPEN"	1
35	46180394S	ADJUSTING NUT M52X1,5	1
36	46180354	AH SCREW M5X25	1
37	50180410	INTERM.RING D=58	2
40	91010277S	SPRING 140-215 (59)D=13,75 TIT	1
43	46180396	SPRING RETAINER H=15 D=28	1
45	46180597	PISTON ROD NUT 06	1
46	46810035	O-RING VITON 37,82X1,78	1
47	46810361	PISTON RING	1
48	46810560	PISTON 6+6D7	1
57	14460017	REBOUND DISC H=4	1
72	46180341S	ADAPTOR CPL. D=46 H=28 D=38	1
75	50180102	BACKUPRING 22,55X1,5	2
76	50180101	QUAD RING 18X2,62	1
80	46180119	DU-BUSH 18X20X12	1
81	50180082	DUST SEAL 1835	1
83	50180342S1	SHOCK ABSORBER FLUID 5 LT '03	1
85	46810010	CIRCLIP 49X1,5	1
86	46180397	COVER H=9,5	1
87	50180276	BUMP RUBBER WP60 D=18-26	1
90	46180399S2	MONOSHOCK BOTTOM PART CPL. 07	1
92	46180005	RESERVOIR CAP M16X1	1
93	40540603	STEEL BALL D=3MM	2
94	48600028	SPRING D=2,9 L=7,9	1
95	46180013	O-RING NBR 12X1	1
96	50180222	O-RING NBR 4X1,5	1

076300460 / C076300460

\* NEW PART

X AS REQUIRED



# SHOCK ABSORBER DISASSEMBLED

950 SUPERENDURO R EU 2007

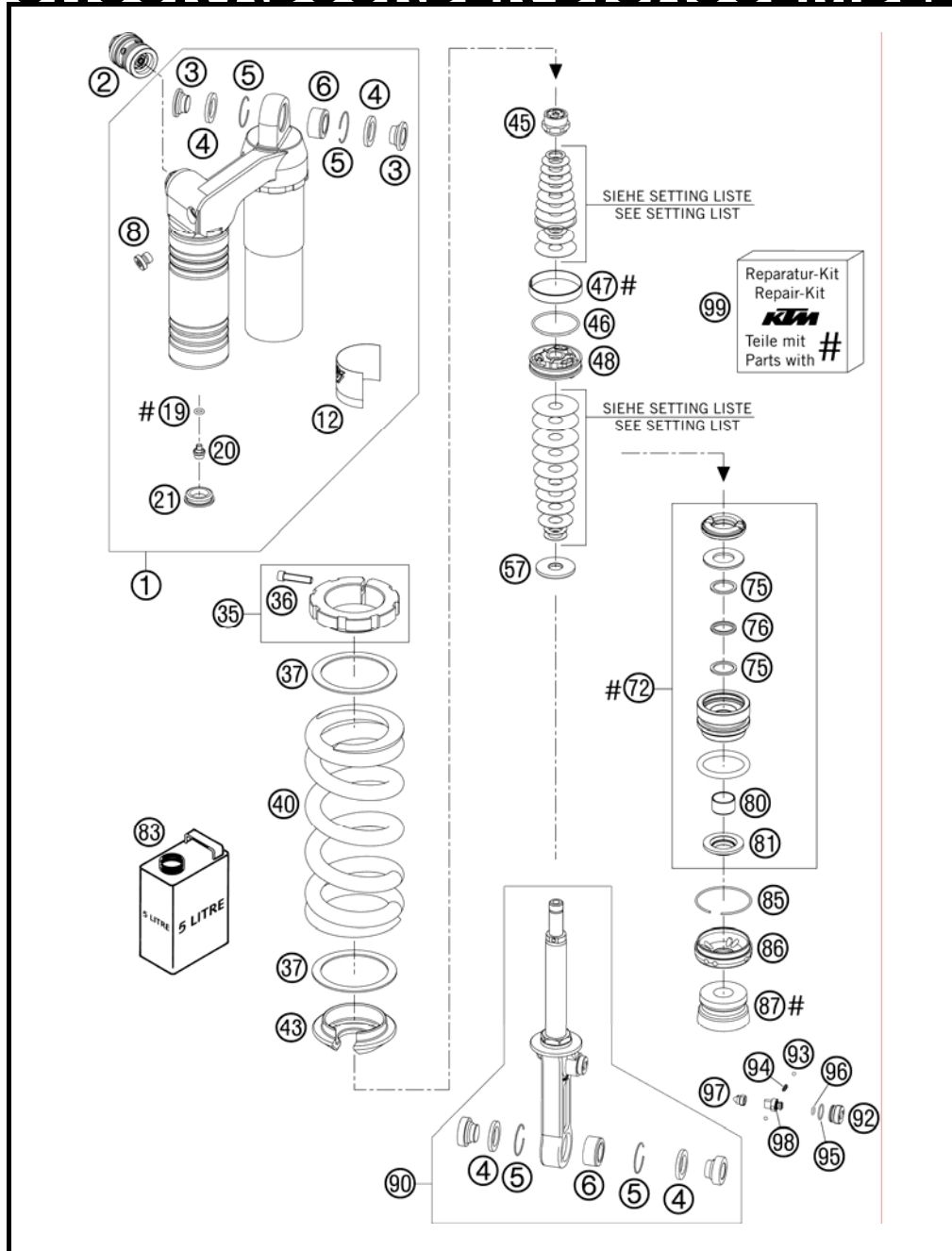


FIG	PART NUMBER	DESCRIPTION	QTY
97	46180016	ADJUSTING ADAPTOR REBOUND	1
98	46180006	ADJUSTING SCREW L=15,5	1
99	R15004	REPAIR KIT GASKET 05	1

076300460 / C076300460

\* NEW PART

X AS REQUIRED



# EXHAUST SYSTEM

950 SUPERENDURO R EU 2007

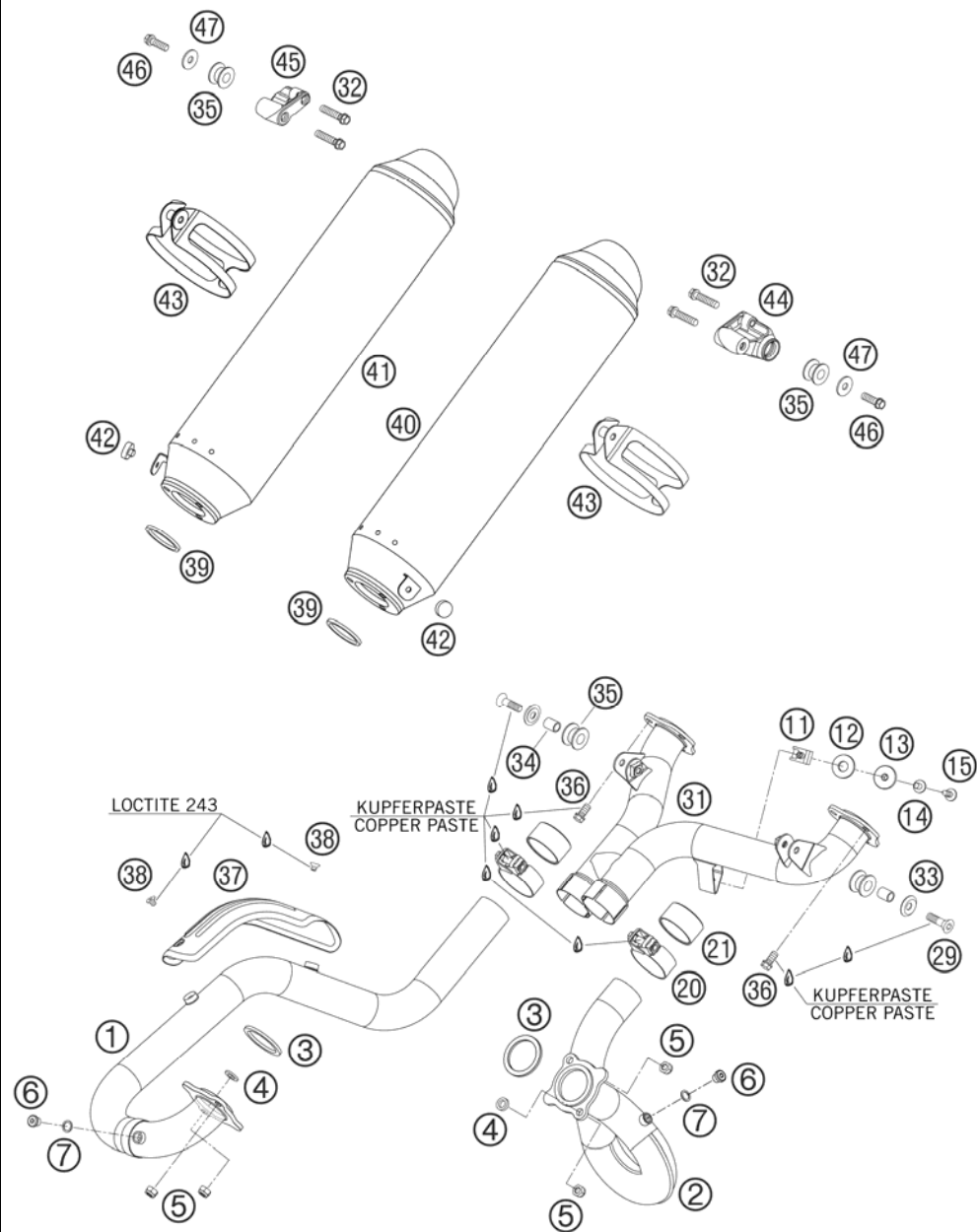


FIG	PART NUMBER	DESCRIPTION	QTY
1	63005007000	EXHAUST PIPE FRONT	06
2	60005008000	EXHAUST PIPE REAR	03
3	60005005000	GASKET	03
4	0125080003	WASHER DIN0125-A 8,4	2
5	51010086100	SELF LOCKING NUT M 8 CU	4
6	0908100000	PLUG DIN0908-M10X1 A2	2
7	0603100141	COPPER GASKET DIN7603-10X14X1	2
11	54603048100	RANGE CHANGE METAL NUT M6	1
12	51005067000	INSULATE WASHER 8,5X28X3	1
13	63005013000	INSULATING DISK	06
14	54830048000	DISTANCE BUSHING F. CHAIN.	1
15	0014060253	HH COLLAR SCREW M 6X25 WS=8	1
20	60105051000	CLAMP CPL. D=49,2MM	06
21	60005005001	GRAPHIT RING 42X47X25	03
29	0991080353	FLAT HEAD SCREW DIN7991-M 8X35	2
31	63005048000	DISTRIBUTOR TUBE	06
32	0015080303	HH COLLAR SCREW M 8X30 WS=10	4
33	58303061100	SPECIAL WASHER ALU 8X24 MM ELO	2
34	62505069000	SPACER BUSH. 8,5X12X18MM	05
35	54305068100	DAMP. COMPONENT SILICONE GREY	4
36	0015080163	HH COLLAR SCREW M 8X16 WS=10	6
37	63005011000	THERMAL SHIELD	06
38	0991060082	FLAT H.SCREW M6X8 DIN7991 NIRO	2
39	60005005002	EXHAUST GASKET	03
40	62505083100	SILENCER L/S	05
41	62505083000	SILENCER R/S	05
42	54308042000	RUBBER BUFFER	2
43	60005095000	CLAMP FOR SILENCER CPL.	03
44*	6000508500001S	SILENCER/HANDLE HOLDER L/S	07
45*	6000508600001S	SILENCER/HANDLE HOLDER R/S	07
46	0015080253	HH COLLAR SCREW M 8X25 WS=10	2
47	0021080003	WASHER DIN9021-A 8,4	2
48	0797050000	TOOTH LOCK WASHER DIN6797-J	2

066300500 / C076300500

\* NEW PART

X AS REQUIRED

# AIR FILTER BOX

950 SUPERENDURO R EU 2007

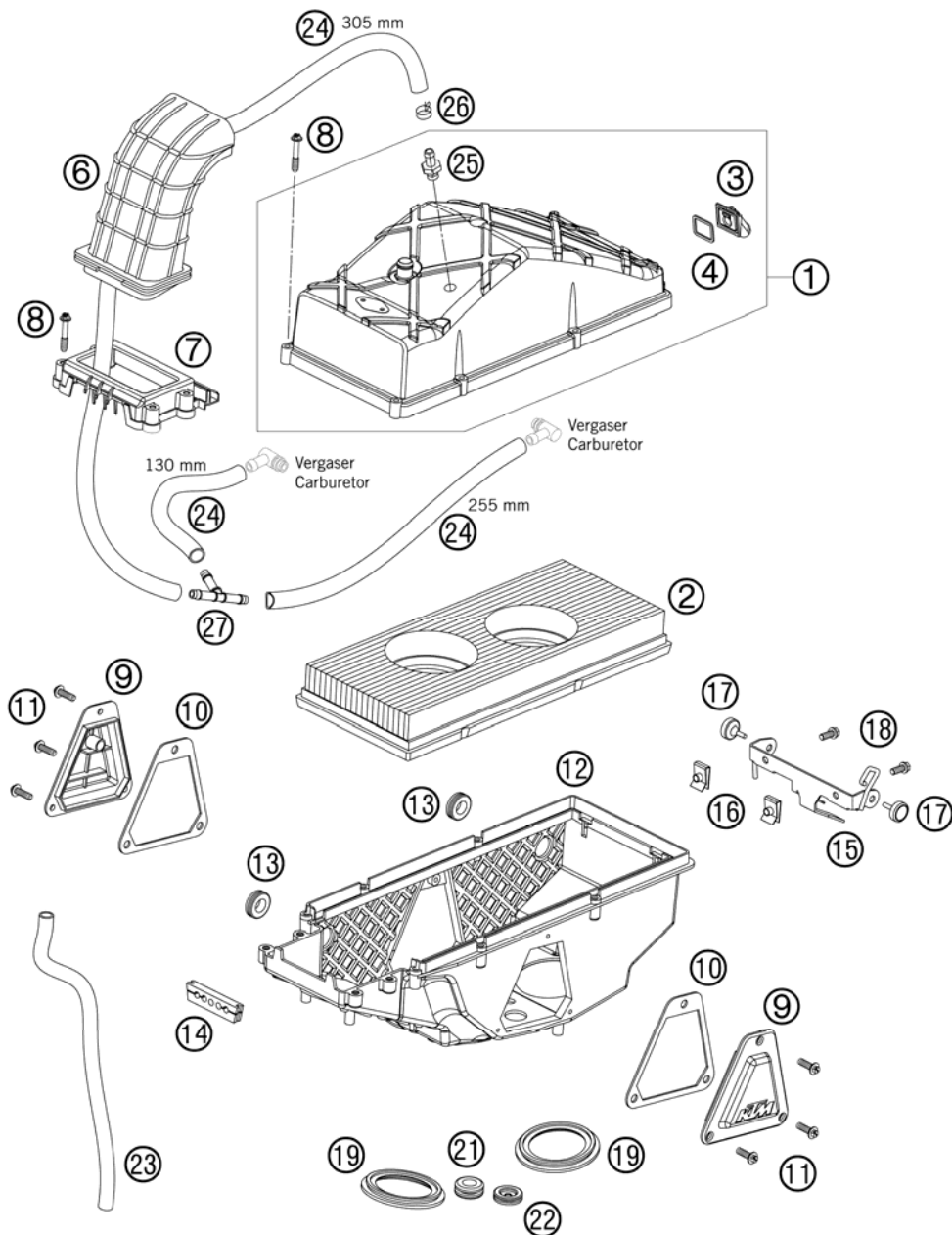


FIG	PART NUMBER	DESCRIPTION	QTY	
1	63006002044	AIR FILTER COVER LC8 CPL.	07	1
2	60006015000	AIR FILTER LC8	03	1
3	60006007000	CONNECTOR FOR SAS LC8	03	1
4	60006007050	GASKET SAS CONNECTOR	03	1
6	60006040000	INTAKE SNORKEL	03	1
7	60006004000	AIRBOX FRONT PART LC8	03	1
8	60006006000	SPECIAL SCREW K60X35/15	03	12
9	60006003002	AIRBOX COVER L/S R/S	03	2
10	60006003050	GASKET F. AIRBOX COVER L/S R/S	03	2
11	0017060203	EJOT PT SCREW K60X20 WS=6	03	6
12	60006001000	FILTER BOX LOWER PART LC8	03	1
13	60006001040	RUBBER SLEEVE EPC HOSE	03	2
14	60006001030	RUBBER SLEEVE CABLE PASSAGE	03	1
15	60006001020	BRACKET PANEL SAS A. EPC	03	1
16	54603048100	RANGE CHANGE METAL NUT M6	03	2
17	60006001021	DISTANCE RUBBER AIRBOX	03	2
18	0015060163	HH COLLAR SCREW M 6X16 WS=8	03	2
19	60036045000	RUBBER SLEEVE AIRBOX	03	2
21	60006001041	RUBBER SLEEVE FUEL HOSE	03	1
22	60006001023	RUBBER SLEEVE STOP SCREW	03	1
23	57005020001	HOSE 10X14 PER METER	03	x
24	63031098050	HOSE 6X10 L=470MM	03	x
25	63006001050	BUSH FOR AIR FILTER BOX	06	1
26	58007117000	YDNAC-CLAMP 10107 10MM	03	1
27	60015022000	T-CONNECTOR TS-6	03	1

076300600 / C076300600

\* NEW PART

X AS REQUIRED

# TANK, SEAT, COVER

950 SUPERENDURO R EU 2007

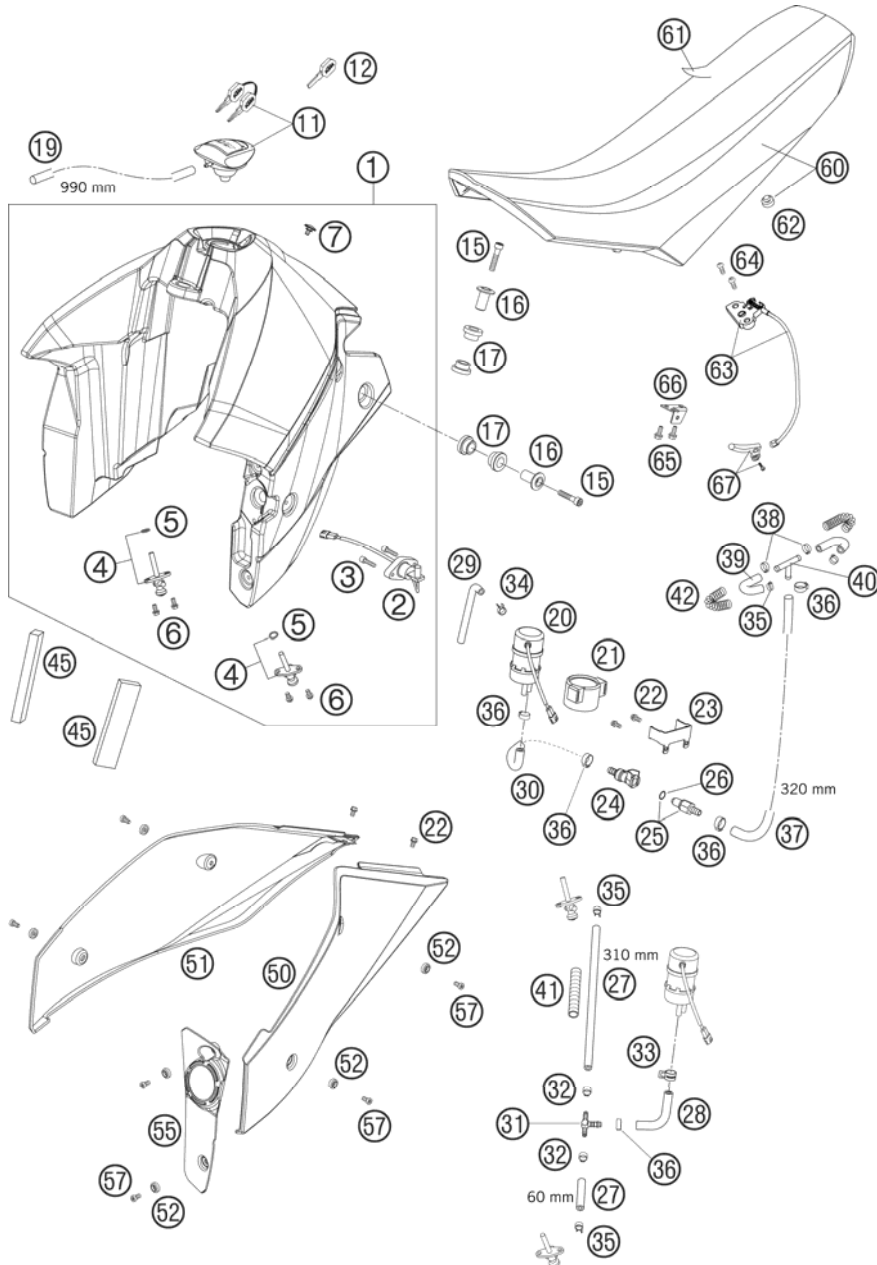


FIG	PART NUMBER	DESCRIPTION	QTY
1	6300701303333A	FUELTANK CPL.14L BLACK MATT 06	1
2	58207080100	GAS-LEVEL SENSOR ADV. 2006	1
3	0912050163	AH SCREW DIN0912-M 5X16	2
4	58507003000	FUEL COCK CPL. SMALL RALLYE'96	2
5	55007006200	O-RING 11X1,8 NBR 70	2
6	0015060163	HH COLLAR SCREW M 6X16 WS=8	4
7	58407011100	SCREW FOR SEAT M6X11,5/8	1
11	58407008200	TANK PLUG 06	1
12	40011166100	KEY BLANK LC4/DUKE/LC8	1
15	0912080403	AH SCREW DIN912 M8X40	3
16	61007060000	BEARING BUSHING OUTSIDE 05	3
17	61007065000	TANK RUBBER BUSHING FRONT 05	6
19	60007026001	HOSE NBR 5,4X9,4 PER METER	1
20	60012088100	FUEL PUMP 04	1
21	60012088050	FUEL PUMP HOLDER 03	1
22	0014060103	HH COLLAR SCREW M 6X10 WS=8	4
23	62512071000	SUPPORT FUEL PUMP 05	1
24	5850701050030	CLUTCH CPC BLACK 05	1
25	5850701030030	PLUG CPC BLACK 05	1
26	58507012000	O-RING VITON F. PLUG CPC 05	1
27	60007116001	HOSE 6X12 PER METER	x
28	62507016070	FUEL HOSE 05	1
29	50307016000	FUEL PREFORMED HOSE SX 2001	1
30	62507016060	FUEL HOSE 05	1
31	60007015100	T-CONNECTOR 6-6-8 MM 05	1
32*	58007117200	OETIKER HOSE CLAMP 13,3MM	2
33	00049140121	CLAMP STD DN14	1
34	58007117000	YDNAC-CLAMP 10107 10MM	1
35	58031005000	CLAMP YDNAC 10128 12MM	4
36	00050153706	VARIABLE ONE-EAR CLAMP 15,3MM	5
37	60007016001	HOSE 7,5X13,5 PER METER	x
38	00050140706	VARIABLE ONE-EAR CLAMP 14,0MM	2
39	60007016000	FUEL PREFORMED HOSE 03	2
40	60007015000	T-CONNECTOR 8MM 03	1
41	62507016050	THERMAL PROTECTION L=105MM 05	1
42	60007016050	PROTECTION SPRING FUEL HOSE	2

066300700 / C076300700

\* NEW PART

X AS REQUIRED

# TANK, SEAT, COVER

950 SUPERENDURO R EU 2007

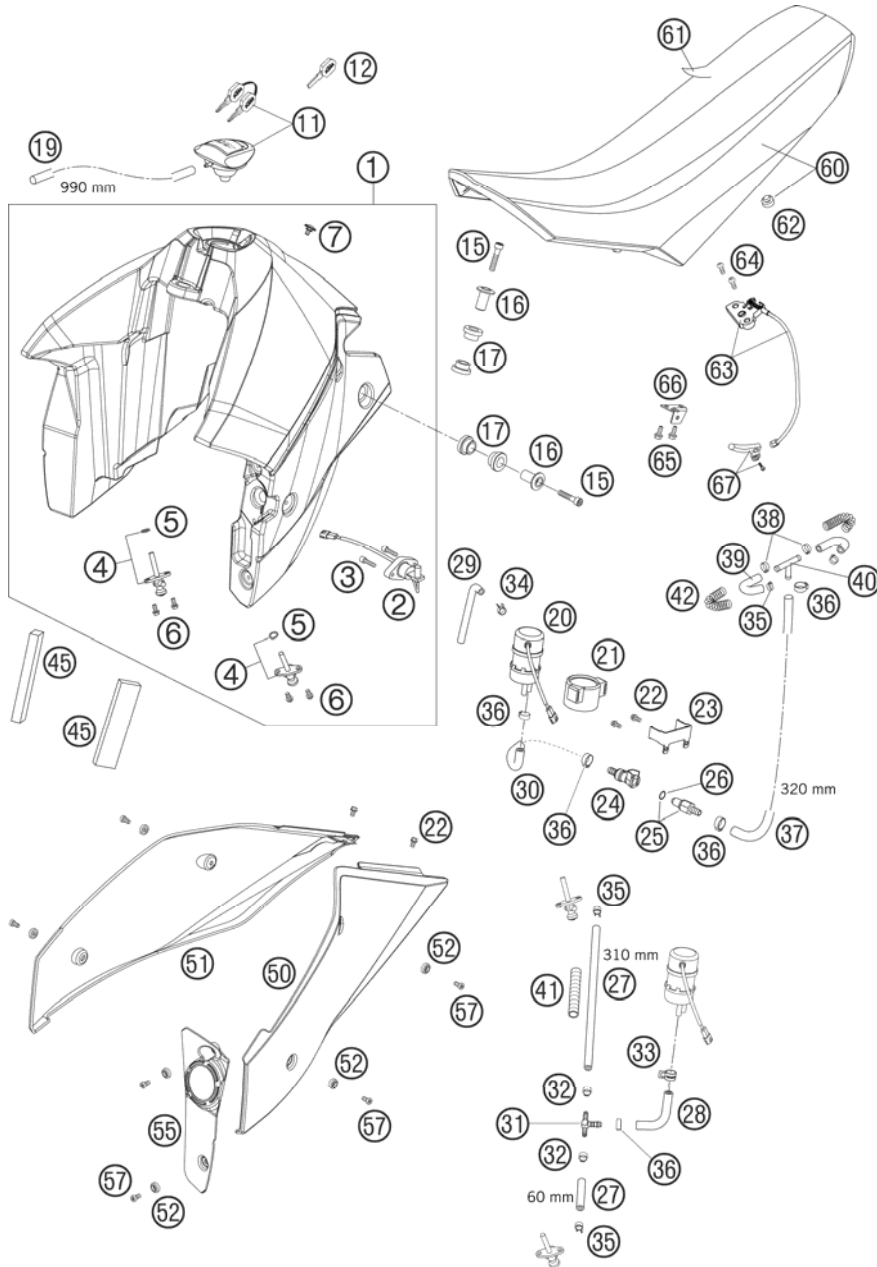


FIG	PART NUMBER	DESCRIPTION	QTY
45	62507033000	FOAM 150X35X15	06
50	6300805000004	SPOILER L/S ORANGE	06
51	6300805100004	SPOILER R/S ORANGE	06
52	60008045000	SPECIAL WASHER D=16,5MM	03
55	63008070000	TANK COVER L/S	06
57	0012060123	AH SCREW DIN6912 M6X12	6
60	6300704000004	SEAT BLACK/ORANGE	06
61	6300704005004	SEAT COVER BLACK/ORANGE	1
62	61007040010	DISTANCE RUBBER SEAT	05
63	63007050044	SEAT LOCK	06
64	0738060181	COU.SUNK SCR. AH ISO7380 M6X18	2
65	0015050123	HH COLLAR SCREW M 5X12 WS=8	2
66	63008053000	BRACKET FOR SEAT LOCK	06
67	58607051000	SEAT LOCK LEVER CPL.	05

066300700 / C076300700

\* NEW PART

X AS REQUIRED

FIG	PART NUMBER	DESCRIPTION	QTY
1	63008099000	DECAL SET 950 SUPERENDURO 2006	1

①



066300880 / C066300880

\* NEW PART

X AS REQUIRED

# MASK, FENDERS

# 950 SUPERENDURO R EU 2007

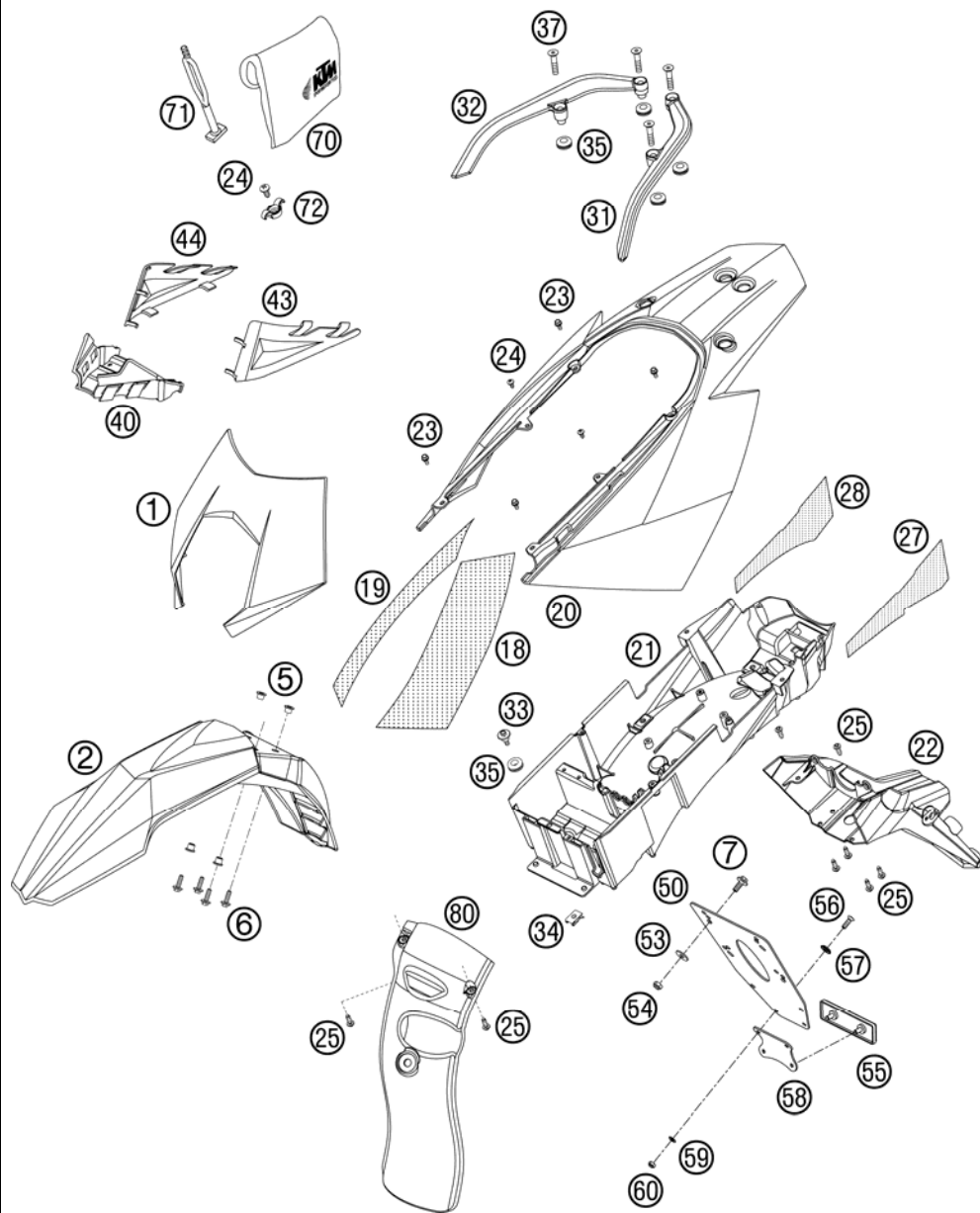


FIG	PART NUMBER	DESCRIPTION	QTY
1	5860800100030B	HEAD LIGHT MASK BLACK 06 WITH DECAL	1
2	6300801000004	FENDER FRONT ORANGE 06	1
5	58408009050	SPACER BUSHING FRONT FENDER	4
6	0014060203	HH COLLAR SCREW M 6X20 WS=8	4
7	0014060153	HH COLLAR SCREW M 6X15 WS=8	4
18*	62508018150	THERM. PROT.FOIL L/S ABOVE 07	1
19*	62508018160	THERM.PROT.FOIL R/S ABOVE 07	1
20	6250801800030B	REAR END TOP PART BLACK 06 WITH DECAL	1
21	62508019200	REAR END LOWER PART 06	1
22	63008015000	NUMB.PLA TE CARRIER 06	1
23	0015050123	HH COLLAR SCREW M 5X12 WS=8	4
24	0016050121	SCREW FOR PLASTIC 50X12	3
25	0017060203	EJOT PT SCREW K60X20 WS=6	8
27*	62508019250	THERMAL PROTECTON FOIL L/S 07	1
28*	62508019360	THERMAL PROTECTON FOIL R/S 07	1
31*	6301200800001S	HAND GRIP L/S 07	1
32*	6301200900001S	HAND GRIP R/S 07	1
33	60035001000	SCREW RADIATOR BRACKET M6 03	2
34	54603048100	RANGE CHANGE METAL NUT M6	2
35	41001052000	RUBBER SLEEVE D=12MM	6
37	0991080403	FLAT HEAD SCREW DIN7991-M 8X40	4
40	60003087000	SPLASH PROTECTOR FRAME 05	1
43	62503083000	COVER FRAME L/S REAR 05	1
44	62503084000	COVER FRAME R/S REAR 05	1
50*	60012081200	LICENCE FITTING 06	1
53	0021060003	WASHER DIN9021-A 6,4	4
54	0985060003	SELF LOCK. NUT DIN0985-M 6	4
55	58412080000	REFLECTOR RED LC4 '98	1
56	0966050163	OVAL HEAD SCREW DIN0966-M 5X16	2
57	40006006000	WASHER 6MM	2
58	58412080050	BRACKET FOR REFLECTOR	1
59	0125050003	WASHER DIN0125-A 5,3	2
60	0985050003	SELF LOCKING NUT DIN0985-M 5	2
70*	63029099000	TOOL SET 950 SUPERENDURO 06	1

076300802 / C076300802

\* NEW PART

X AS REQUIRED

# MASK, FENDERS

950 SUPERENDURO R EU 2007

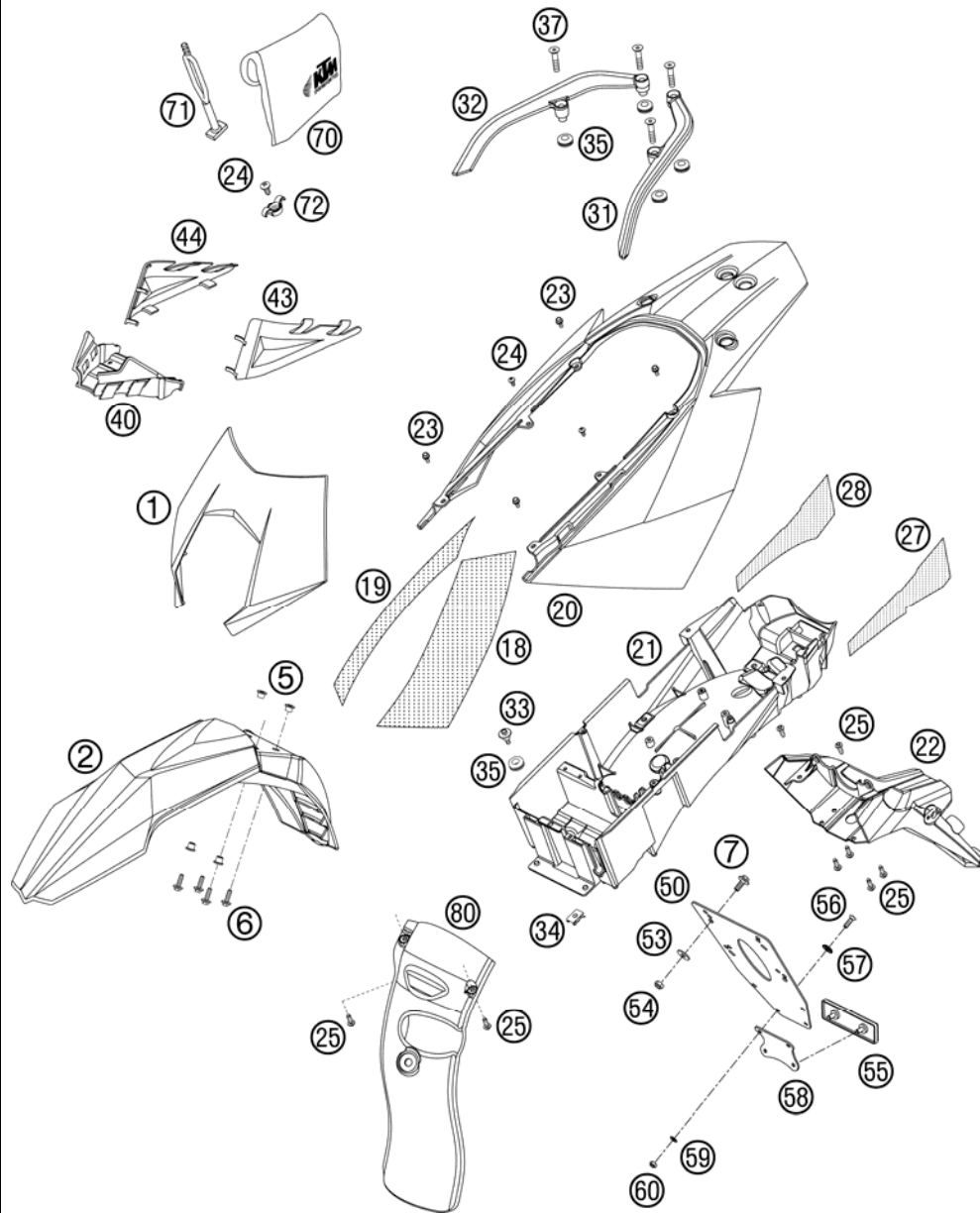


FIG	PART NUMBER	DESCRIPTION	QTY
71	50303018000	RUBBER L=145MM	1
72	62508021000	SUPPORT TOOL SET	1
80	63006010000	SPLASH PROTECT.	1

076300802 / C076300802

\* NEW PART

X AS REQUIRED



# FRONT WHEEL

# 950 SUPERENDURO R EU 2007

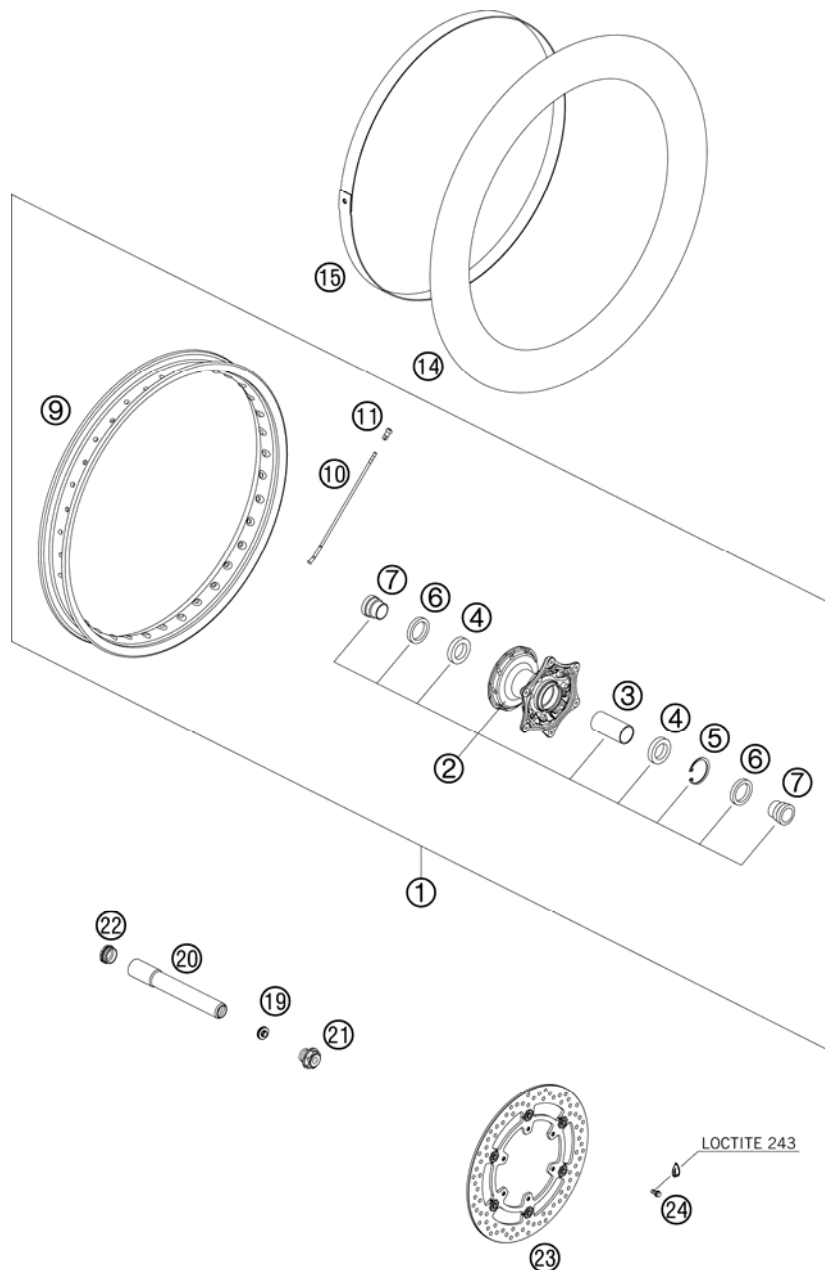


FIG	PART NUMBER	DESCRIPTION	QTY
1	6300900104430	FRONT WHEEL CPL. 1,85X21" 06 BLACK	1
2	63009010044	FRONT HUB CPL. 06	1
3	60009014000	BEAR. SPACERTUBE FRONT 03	1
4	0625069068	GR.BALL BEAR.6906 DDU2CG23S6NM	2
5	0472047175	CIRCLIP DIN0472-47X1,75	1
6	0760354771	SHAFT SEAL RING 35X47X7 TC	2
7	63009012000	SPACER BUSH. FRONT WHEEL 06	2
9	6300907000030	FRONT RIM 1,85X21"DIRT STAR 06	1
10	60009071000	SPOKE M5X230,5 13,5 DEG	36
11	58309072000	SPOKE NIPPLE M5-TA (8X21MM)	36
14	50309075000	HOSE 21"	1
15	58409073100	RIM BAND FRONT 2MM 2003	1
19*	54809081070	AUXILIARY SCREW FRONT 06	1
20*	77309081000	WHEEL SPIN.FR. D=26 M24x1,5 07	1
21	54809082000	SPINDLE SCREW M24X1,5 WS=27 03	1
22	54809081050	PLUG BUSHING WS=27 03	1
23	60109060000	BRAKE DISK FRONT 300MM 06	1
24	59009062013	SPECIAL SCREW M6X13 WS=8 10.9	6

076300900 / C076300900

\* NEW PART

X AS REQUIRED

# REAR WHEEL

# 950 SUPERENDURO R EU 2007

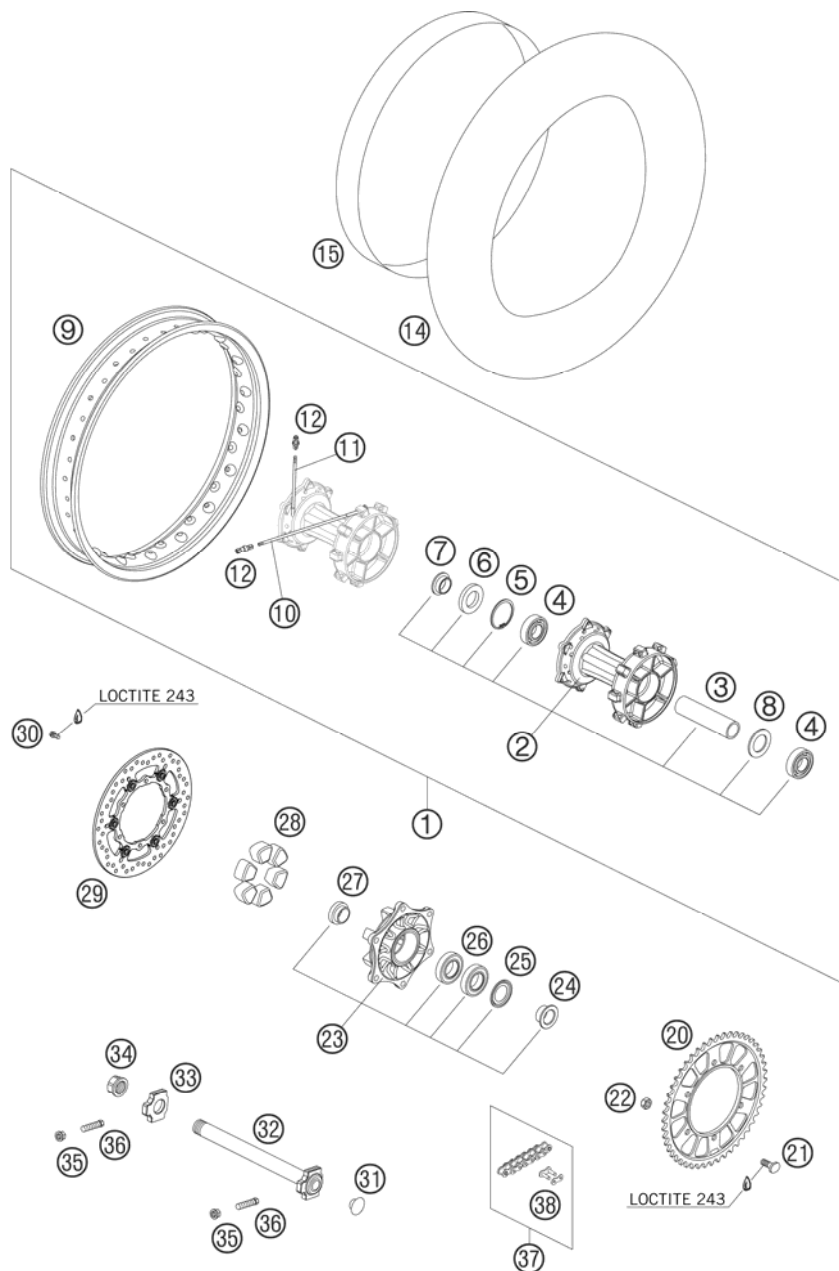


FIG	PART NUMBER	DESCRIPTION	QTY
1	6301000104430	REAR WHEEL CPL. 2,50X18" 06	1
2	60110010044	REAR HUB CPL. 06	1
3	60010011000	BEAR. SPACERTUBE L=124,8MM 03	1
4	0625062052	GR.BALL BEAR. 6205-2RSHC3HMTF7	2
5	0472052200	CIRCLIP DIN0472-52X2	1
6	0760305271	SHAFT SEAL RING 30X52X7	1
7	60110013000	SPACER BUSH. REAR WHEEL R/S 06	1
8	60010015000	SPACER RING 03	1
9	6301007000030	REAR RIM 2,50X18" DIRT STAR 06	1
10	63010171000	SPOKE M5X219 06	18
11	63010071000	SPOKE M5X196 06	18
12	58309072000	SPOKE NIPPLE M5-TA (8X21MM)	36
14	50310075100	HOSE 110/100C-18	1
15	63010073000	RIM TAPE 18" 32/2 MM 06	1
20	60010051042	REAR SPROCKET 42-T 03	x
20	60010051045	REAR SPROCKET 45-T 03	1
21	60010052000	SPROCKET SCREW M10X1,25 03	6
22	0980101253	HEXAG.NUT DIN 980V M10X1,25 SL	6
23	60110050044	SPROCKET SUPPORT CPL. 06	1
24	60110012000	SPACER BUSH. SPROCKET SUPP. 06	1
25	60110016000	NILOS RING 6006AV	1
26	0625060060	BALL BEARING 6006 DDU2CG23S6NM	2
27	60110014000	SPACER BUSH. SPR. SUPP. IN. 06	1
28	54610459000	DAMPING RUBBER '91	6
29	60110060000	BRAKE DISK REAR D=240MM 06	1
30	59009062013	SPECIAL SCREW M6X13 WS=8 10.9	6
31	60010081050	PLUG MNE2673	1
32	60010081044	WHEEL SPINDLE REAR CPL. 03	1
33	60010084000	CHAIN TENSIONER R/S LC8 03	1
34	60010086000	COLLAR NUT WH. SPINDLE REAR 03	1
35	58414030000	HH COLLAR NUT M10X1,25 WS=13	2
36	50304040100	SCREW M10X1,25X50 WS=10	2
37*	60010365118	CHAIN 525 W/ MASTER LINK 07	1
		RIVET TOOL NECESSARY	
38*	60010266000	MASTER LINK FOR CHAIN 525 07	x

066301000 / C076301000

\* NEW PART

X AS REQUIRED

# WIRING HARNESS

950 SUPERENDURO R EU 2007

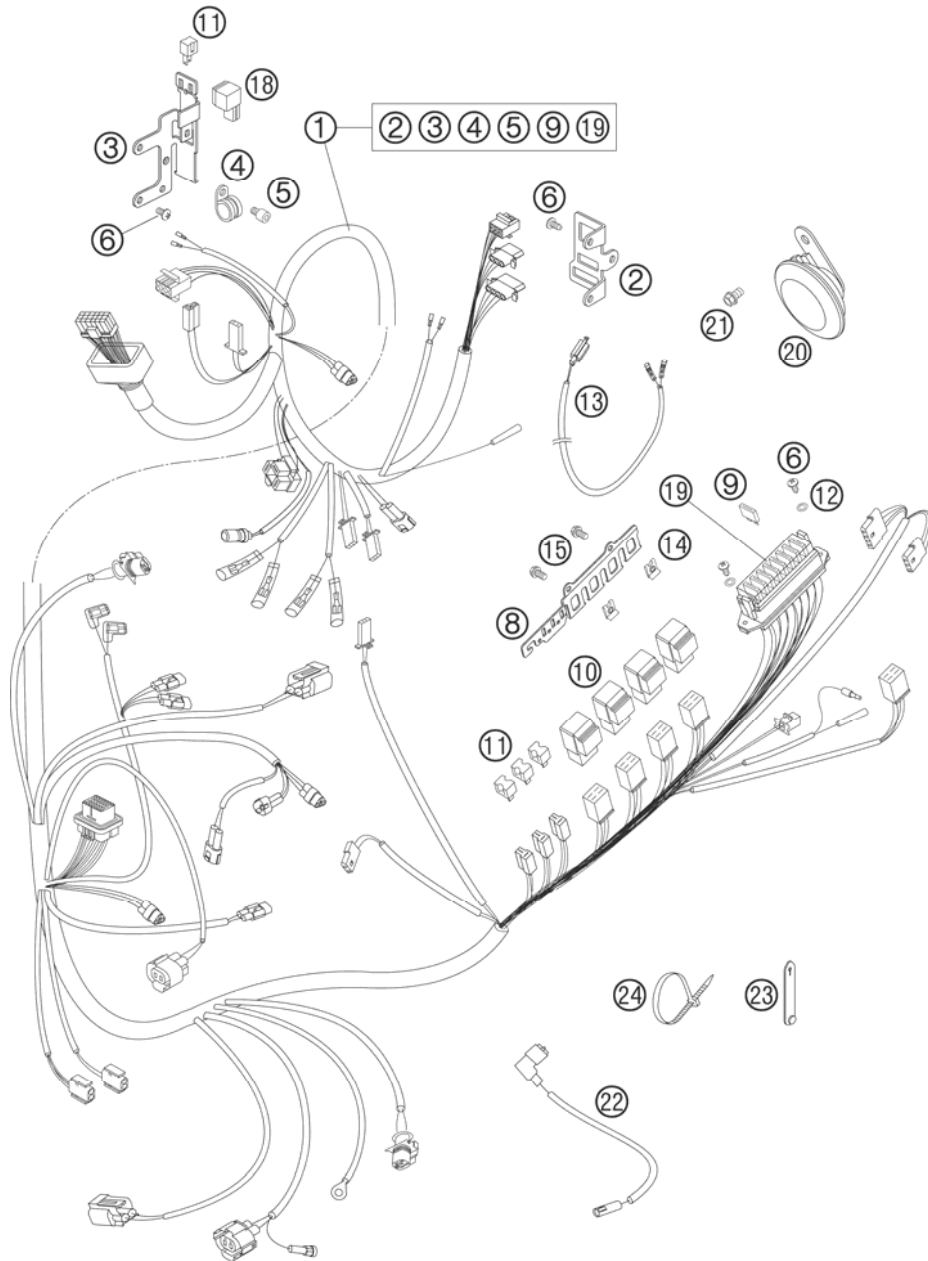


FIG	PART NUMBER	DESCRIPTION	QTY
1	63011075000	MAIN WIRING HARNESS	06
2	63011083000	BRACKET FOR PLUGS L/S	06
3	58611183000	SUPPORT BRACKET R/S	05
4	49007439000	CLAMP RSGU 15/12	1
5	0912050103	AH SCREW DIN0912-M 5X10	1
6	0016050121	SCREW FOR PLASTIC 50X12	8
8	62511057050	BRACKET RELAY	05
9	58011109110	FUSE 10 A	2000
9	58011109115	FUSE 15 A	
10	58411057000	STARTER RELAY '96	4
11	58411096100	DIODE S3H-15	97
12	0021050003	WASHER DIN9021-A 5,3	2
13	63011050050	CABLE F. BRAKELIGHT SWITCH FR.	1
14	54603048200	RANGE CHANGE METAL NUT M5	2
15	0015050123	HH COLLAR SCREW M 5X12 WS=8	2
18	44611207200	FLASHER UNIT	97
19	58511075510	FUSE-BOX COVER	1
20	62511060000	DC HORN	05
21	0014060103	HH COLLAR SCREW M 6X10 WS=8	1
22	60011092000	OIL-PRESSURE SWITCH CABLE	03
23	60011093045	RUBBER CABLE TIE 45MM	03
23	60011093075	RUBBER CABLE TIE 75MM	03
24	44011076100	CABLE TIE 100/2,5MM BLACK	
24	44011076200	CABLE TIE 200/3,6MM BLACK	

066301100 / C066301100

\* NEW PART

X AS REQUIRED

# BATTERY

# 950 SUPERENDURO R EU 2007

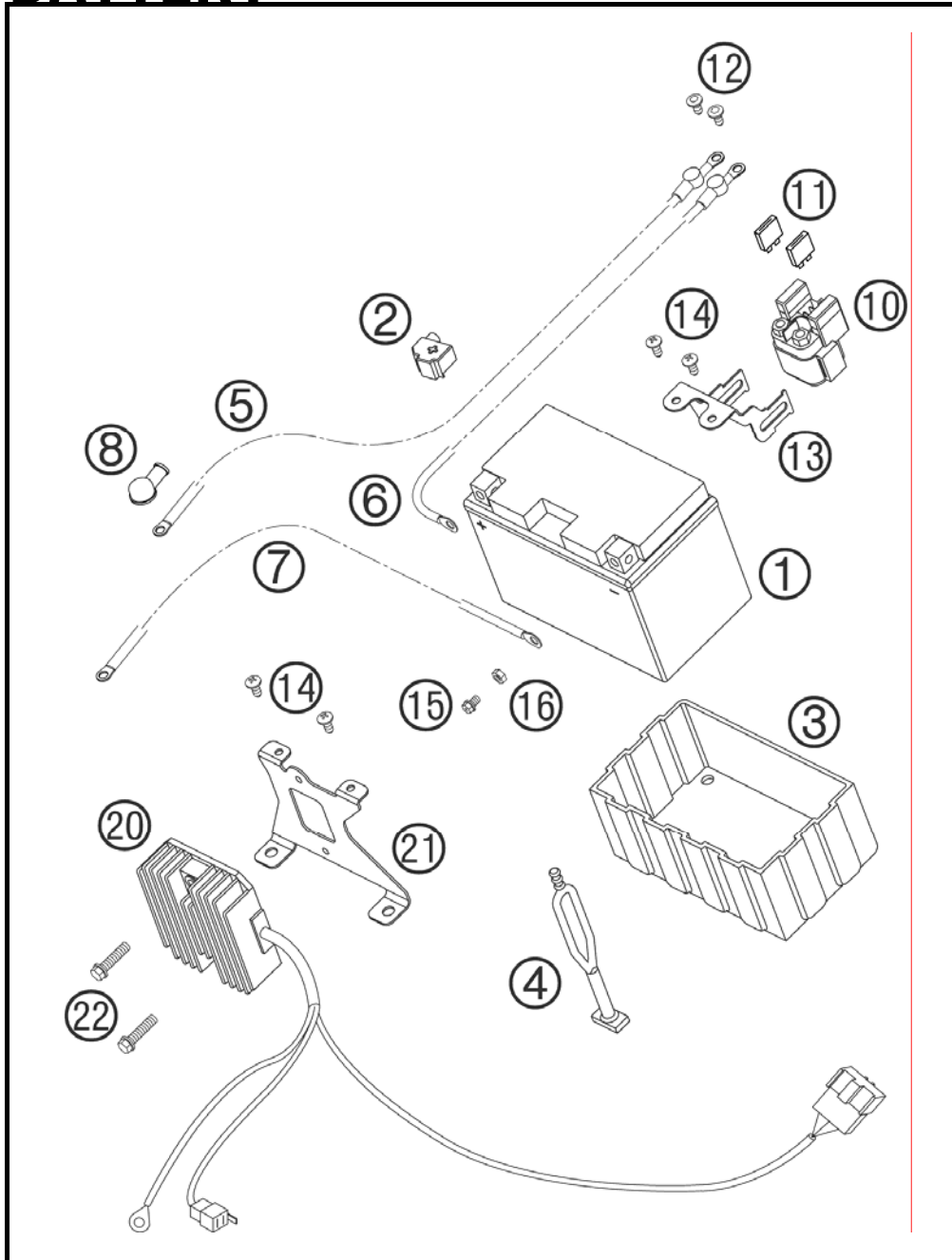


FIG	PART NUMBER	DESCRIPTION	QTY
1	60011053000	BATTERY 12V/11AH	03
2	62511059160	COVER POSITIVE POLE	06
3	58411053050	BATTERY COVER	96
4	50303018000	RUBBER L=145MM	
5	62511059000	STARTER CABLE L=650MM	05
6	62511059050	BATTERY CABLE L=125MM	05
7	62511097000	GROUND CABLE L=650MM	05
8	60040009000	RUBBER CAP STARTER PORT	03
10	58211058000	STARTER RELAY 12V '99	
11	58011109130	FUSE 30 A	x
12	0902060083	AH OVAL SCREW ISO 7380 M 6X8	2
13	62511058050	BRACKET START RELAY	05
14	0016050121	SCREW FOR PLASTIC 50X12	4
15	0014060103	HH COLLAR SCREW M 6X10 WS=8	2
16	0934060003	HEXAGON NUT DIN0934-M 6	2
20	62511034000	VOLTAGE REGULATOR	05
21	62511037000	BRACKET VOLTAGE REGULATOR	05
22	0014060253	HH COLLAR SCREW M 6X25 WS=8	2

066251101 / C076251101

\* NEW PART

X AS REQUIRED

# HAND BRAKE CYLINDER

950 SUPERENDURO R EU 2007

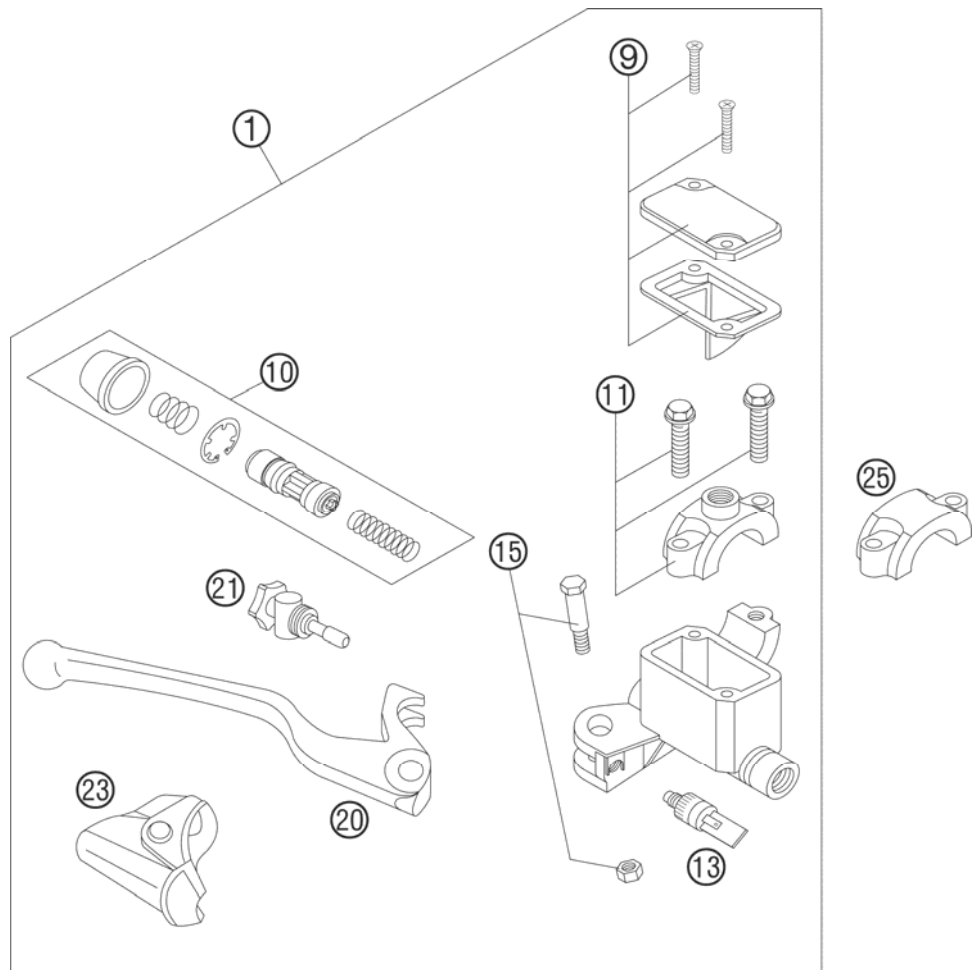


FIG	PART NUMBER	DESCRIPTION	QTY
1	63013001000	HAND BRAKE CYLINDER 06	1
9	63013003000	HAND BRAKE CYL. COVER CPL. 06	1
10	50313008100	REP.SET PISTON EXC 2000	1
11	63013005000	CLAMP F. MIRROR CPL. 06	1
13	63011050000	BRAKE LIGHT SWITCH FRONT 06	1
15	50313006100	LEVER SCREW CPL. 2001	1
20	50213020000	HAND BRAKE LEVER LOOSE BREM'94	1
21	50213021000	ADJUSTING SCREW CPL.	1
23	50213023000	PROTECTION CAP BREMBO'94	1
25	63013005100	CLAMP 06	x
30	63013012000	BRAKE HOSE FRONT 06	1
31	50213025000	HOLLOW SCREW M10X1X19	1
32*	0603100141	COPPER GASKET DIN7603-10X14X1	2
80*	00062030000	BRAKE FLUID DOT 5.1	1

066301300 / C076301300

\* NEW PART

X AS REQUIRED

# REAR BRAKE CONTROL

950 SUPERENDURO R EU 2007

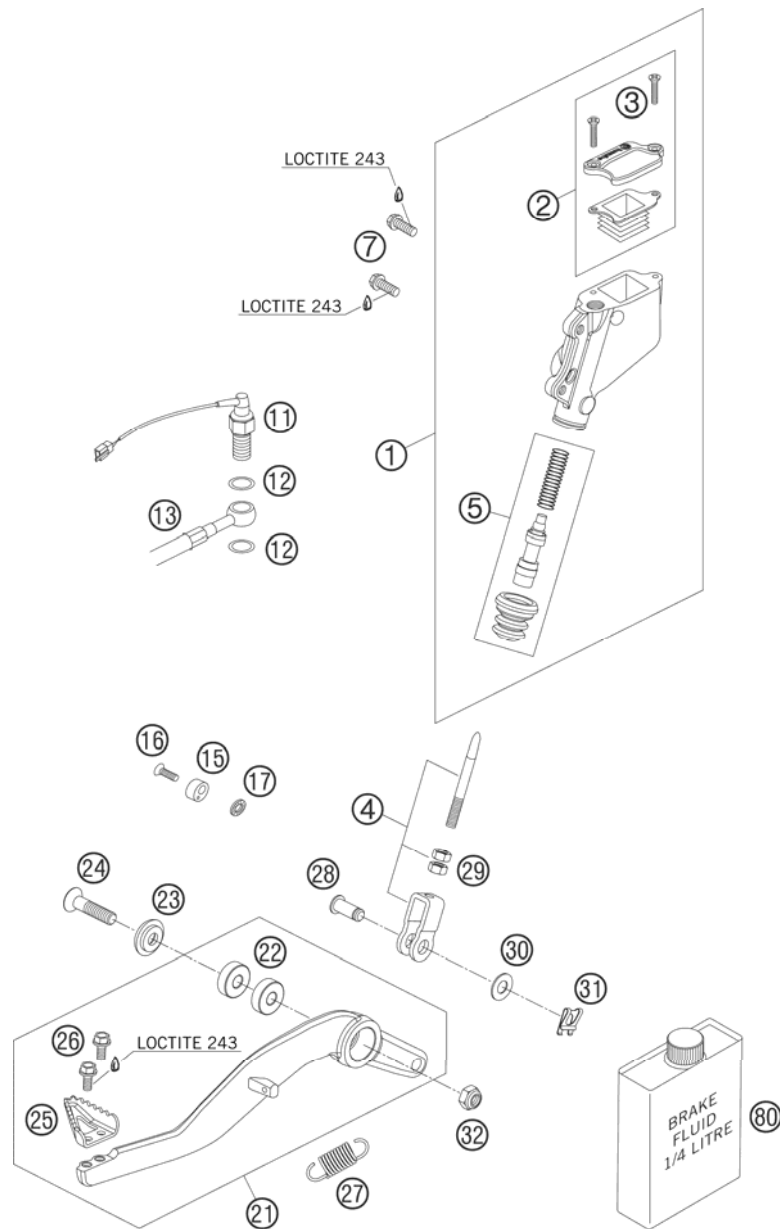


FIG	PART NUMBER	DESCRIPTION	QTY
1	60013060100	MAIN BRAKE CYLINDER CPL. 06	1
2	60013059000	COVER MAIN BRAKE CYLINDER CPL.	1
3	0965040161	FLAT HEAD SCREW DIN0965-M 4X16	2
4	63013056044	PUSH ROD CPL. 06	1
5	60013061000	REPAIR KIT PISTON 03	1
7	59009062016	SPECIAL SCREW M6X16 WS=8 10.9	2
11	50311051100	BRAKE LIGHT SWITCH REAR '98	1
12*	0603100141	COPPER GASKET DIN7603-10X14X1	2
13	62513072000	BRAKE HOSE REAR 05	1
15	58413048000	BRAKE LEVER STOP LC4 03	1
16	0991060203	FLAT H.SCREW DIN7991-M6X20 8.8	1
17	0797060003	TOOTH LOCK WASH. DIN6797-A 6,4	1
21*	6001305004401S	FOOT BRAKE LEVER CPL. 07	1
22	0625006087	GROOVED BALL BEAR. 608 2RS C3	2
23	60003061000	SPECIAL WASHER ALU 8X24MM 03	1
24	0991080353	FLAT HEAD SCREW DIN7991-M 8X35	1
25	60013051000	STEP PLATE FOOT BRAKE LEVER 03	1
26	0015050123	HH COLLAR SCREW M 5X12 WS=8	2
27	54603062000	RETURN SPRING FOR BRAKE LEVER	1
28	60013057000	BOLT F. LINK FORK 8X20X16,5	1
29	0934060003	HEXAGON NUT DIN0934-M 6	2
30	0125080003	WASHER DIN0125-A 8,4	1
31	60013058000	SECURING CLIP D=8MM 03	1
32	0985080003	SELF LOCKING NUT DIN0985-M 8	1
80*	00062030000	BRAKE FLUID DOT 5.1	1

066301310 / C076301310

\* NEW PART

X AS REQUIRED

# BRAKE CALIPER FRONT

950 SUPERENDURO R EU 2007

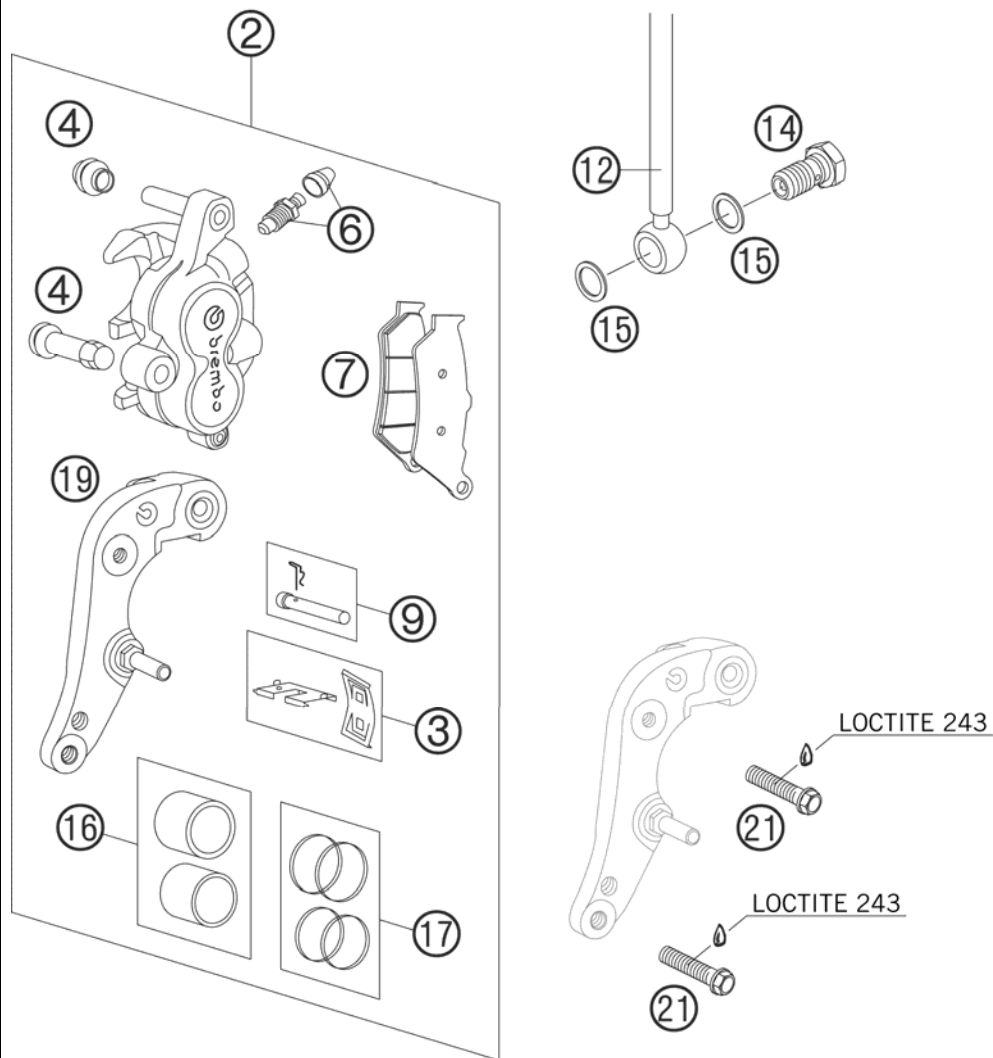


FIG	PART NUMBER	DESCRIPTION	QTY
2	60113015000	BRAKE CALIPER FRONT L/S 06 WITH BRAKE CALIPER SUPPORT	1
3	60013018000	RETAINING PLATE SET FRONT 03	1
4	54613218000	CUP SET SHORT	1
6	60013020000	BLEEDER SCREW WITH CAP	1
7	60013030000	BRAKE PAD SET FR.TT2172HHA '03	1
9	60013017000	BOLT SET L/S	1
12	63013012000	BRAKE HOSE FRONT 06	1
14	50213025000	HOLLOW SCREW M10X1X19	1
15*	0603100141	COPPER GASKET DIN7603-10X14X1	2
16	60013083000	BRAKE PISTONS	1
17	60013019000	REP.KIT SEALING RINGS 30/32MM	1
19	60113049100	BRAKE CALIPER SUPPORT FR. L/S WITH RETAINING PLATE	1
21	0015080353	HH COLLAR SCREW M 8X35 WS=10	2

066301320 / C076301320

\* NEW PART

X AS REQUIRED

# BRAKE CALIPER REAR

950 SUPERENDURO R EU 2007

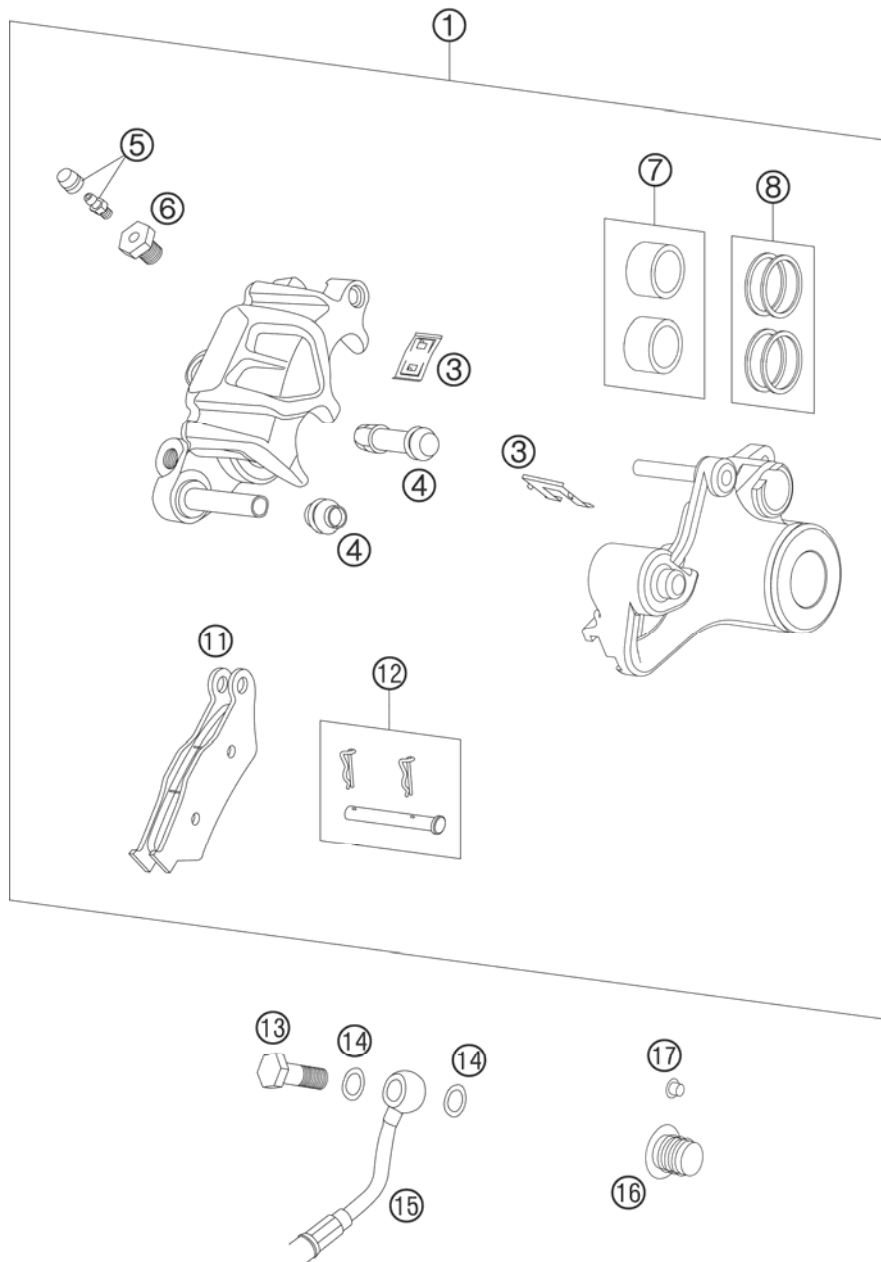


FIG	PART NUMBER	DESCRIPTION	QTY
1	60113080100	BRAKE CALIPER REAR "ID450FF"06	1
2	60013018100	RETAINING PLATE SET REAR 03	1
3	54613218000	CUP SET SHORT	1
4	60013020200	BLEEDER SCREW WITH CAP M6	1
5	60013020100	ADAPTER SCREW	1
6	60013083200	BRAKE PISTONS 05	1
7	60013081000	REP.KIT SEALINING RINGS	1
8	54613209244	BRAKE PAD SET FERODO ID450FF	1
9	60013017200	BOLT SET	1
10	50213025000	HOLLOW SCREW M10X1X19	1
11*	0603100141	COPPER GASKET DIN7603-10X14X1	2
12	60013072000	BRAKE HOSE REAR 03	1
13	61003089000	PLUG SFL 22X1,8-3,5	1
14	60103088000	PLUG ZK 8/5 06	1

066011331 / C076301330

\* NEW PART

X AS REQUIRED



# LIGHTING SYSTEM

950 SUPERENDURO R EU 2007

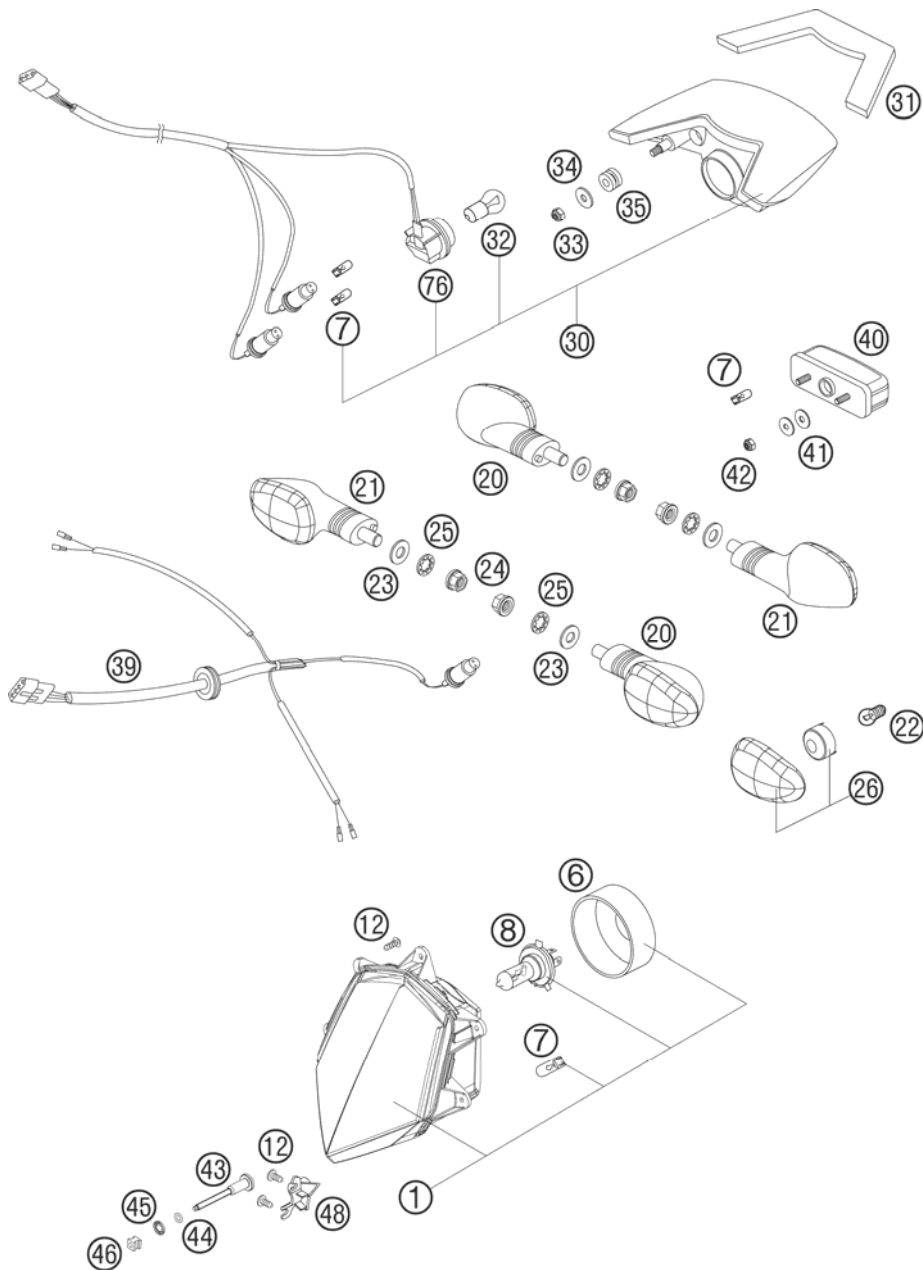


FIG	PART NUMBER	DESCRIPTION	QTY
1	58614001000	HEAD LIGHT RIGHT TR. 05	1
6	58614001050	RUBBER CAP FOR HEAD LIGHT 05	1
7	49011435100	BULB 12V 5W (W2,1X9,5D) PHIL.	4
8	57111038000	BULB H4 12V 60/55W (P43T)	1
12	0016050121	SCREW FOR PLASTIC 50X12	7
20	58414025100	FLASHER CPL.FRONT L/S REAR R/S	2
21	58414026100	FLASHER CPL.FRONT R/S REAR L/S	2
22	44111015100	BULB 12V 10W (BA15S)	4
23	0125100003	WASHER DIN0125-A10,5	4
24	58414030000	HH COLLAR NUT M10X1,25 WS=13	4
25	0797100003	LOCK WASHER DIN6797-J10,5 ZI	4
26	58414028100	FLASHER LENS L/S & R/S 02	4
30	58614040044	REAR LIGHT CPL. 05	1
31	58614040050	METAMOLL FOR HEAD LIGHT 05	1
32	60014048000	BULB 12V 21W	1
33	0985060003	SELF LOCK. NUT DIN0985-M 6	2
34	0021060003	WASHER DIN9021-A 6,4	2
35	58214069051	RUBBER GROMMET 16X10,8X3 02	4
39	62511076000	WIRING HARNESS REAR 05	1
40	58414047000	LICENSE-PLATE ILLUMINATION '98	1
41	0021050003	WASHER DIN9021-A 5,3	4
42	0985050003	SELF LOCKING NUT DIN0985-M 5	2
43	58614021100	ADJ. SCREW HEAD LIGHT 06	1
44	0770080020	O-RING 8X2 SILICONE	1
45	58614024000	CLAMP RING F. HEAD LIGHT ADJ.	1
46	58614018000	ADJUSTING NUT F. HEAD L. ADJ.05	1
48	62514063050	TAB HEAD LIGHT ADJ. 05	1
76	58611076100	CABLE HARNESS REAR PART 05	1

056251400 / C056251400

\* NEW PART

X AS REQUIRED

# SPEEDOMETER

950 SUPERENDURO R EU 2007

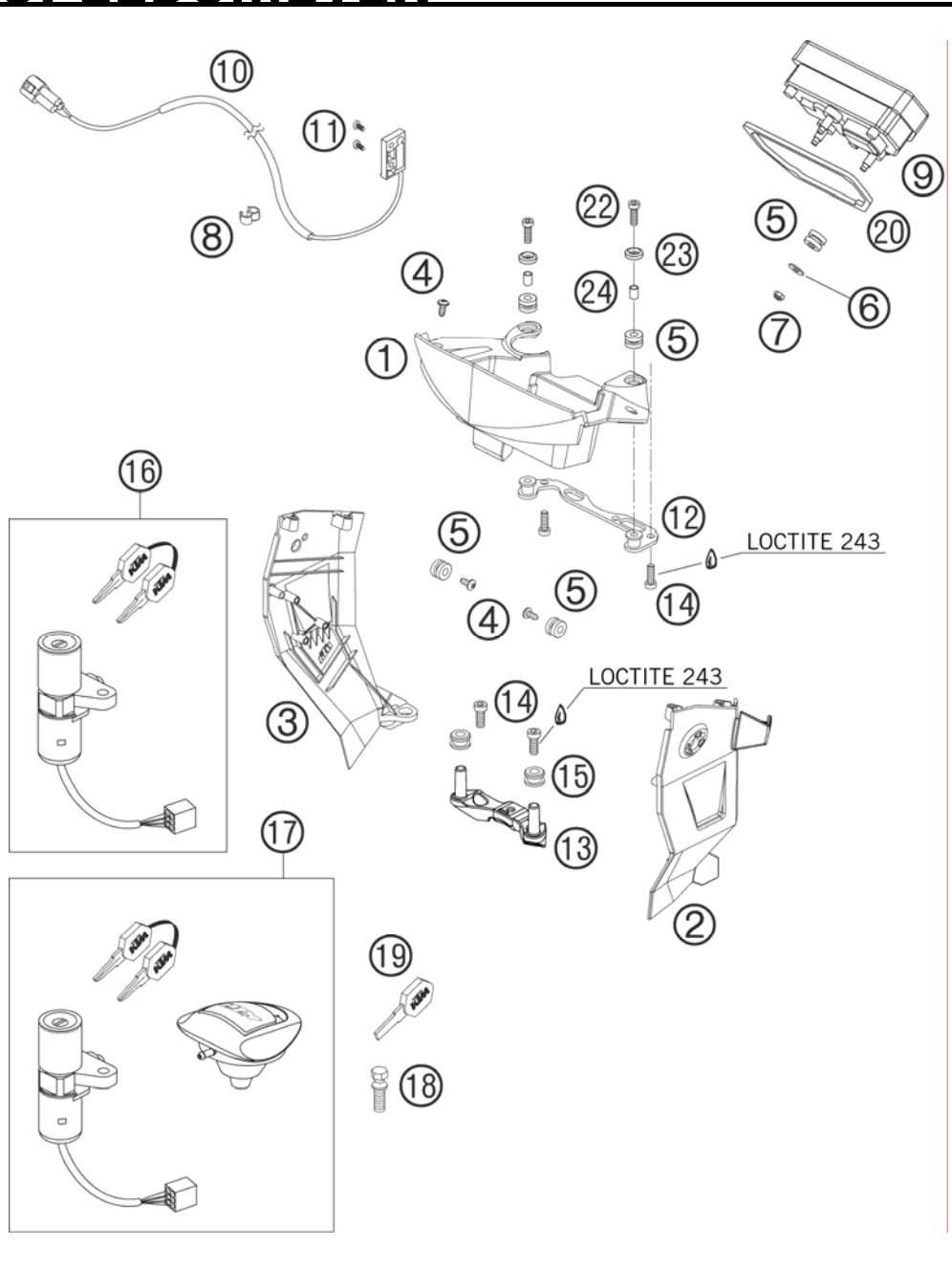


FIG	PART NUMBER	DESCRIPTION	QTY
1	62514061000	SPEEDOMETER BRACKET 05	1
2	63014062000	MASK BRACKET L/S 06	1
3	62514063000	MASK BRACKET R/S 05	1
4	0016050121	SCREW FOR PLASTIC 50X12	6
5	58214069051	RUBBER GROMMET 16X10,8X3 02	7
6	0021050003	WASHER DIN9021-A 5,3	3
7	0985050003	SELF LOCKING NUT DIN0985-M 5	3
8	55011022100	CLAMP D=6/8MM, BLACK	3
9	61014069000	DIGITAL SPEEDOMETER 05	1
10	60014069150	SPEEDOMETER SENSOR 06	1
11	0084040083	CYL.HEAD SCREW DIN0084-M 4X8 A	2
12	63008003000	MASK BRACKET TOP 06	1
13	63014064000	MASK SUPPORT BOTTOM 06	1
14	0012060164	AH SCREW DIN6912 M6X16 SL	4
15	60039030000	VIBRATION DAMPER DIGITALBOX 03	2
16	58411066100	IGNITION LOCK 99	1
17	58411066344	LOCK SYSTEM 06	1
18	60011064000	TAMPERPROOF SCREW F. IGN. LOCK	1
19	40011166100	KEY BLANK LC4/DUKE/LC8	1
20	60014068000	DAMPING RING TACHOMETER 03	1
22	0984060252	AH SCREW DIN6912 M6X25	2
23	60008045000	SPECIAL WASHER D=16,5MM 03	2
24	62514037000	SPACER BUSHING 6,2X7,5X10,3 05	2

066301450 / C066301450

\* NEW PART

X AS REQUIRED

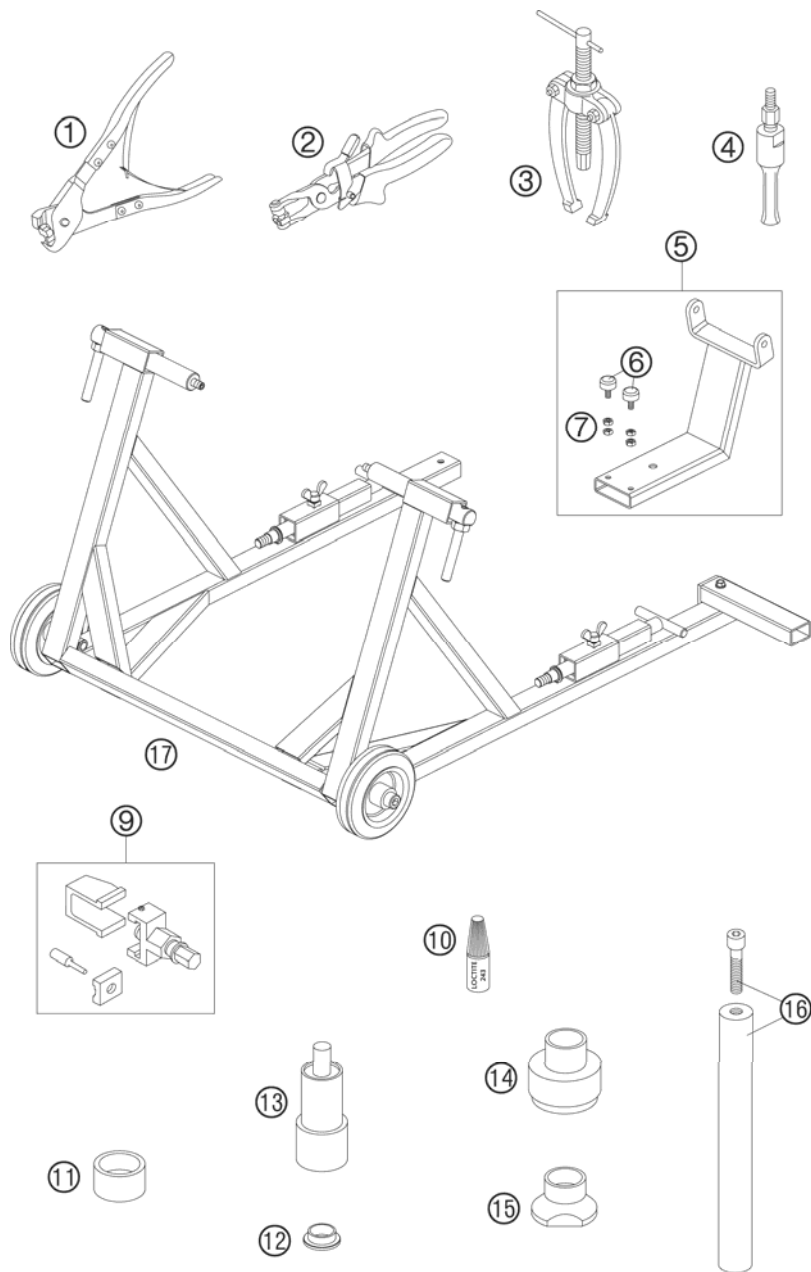


FIG	PART NUMBER	DESCRIPTION	QTY
1	60029057000	PLIERS F. VAR.ONE-EAR CLAMP 03	1
2	60029057100	PLIERS F. CLAMP 03	1
3	15112017000	BUSHING EXTRACTOR	1
4	60029018000	INTERN.BEAR.PULLER 28 MM	1
5	60029055100	ATTACHMENT WHEELED JACK 03	1
6	58303070000	STOP RUBBER M8	2
7	09340800003	HEXAGON NUT DIN0934-M 8	4
9*	58429020000	RIVET TOOL LC4	1
10	6899785	LOCTITE 243 BLUE 6CCM	1
11	60029056000	ANVIL DOLLY 03	1
12	60010013000	SPACER BUSH. REAR WHEEL R/S 03 FOR SWINGARM BEARING	1
13	58429086000	PRESS. TOOL F. LINK BEAR. LC4	1
14	58429091000	MOUNT.TOOL STEER.HEAD BEAR.LC4	1
15	58429092000	DISMOUNT. TOOL F. BEARINGS LC4	1
16	58429089000	HOLDING TOOL CHASSIS LC4	1
17	62529055000	VEHICLE STAND 05	1

056251900 / C076251900

\* NEW PART

X AS REQUIRED

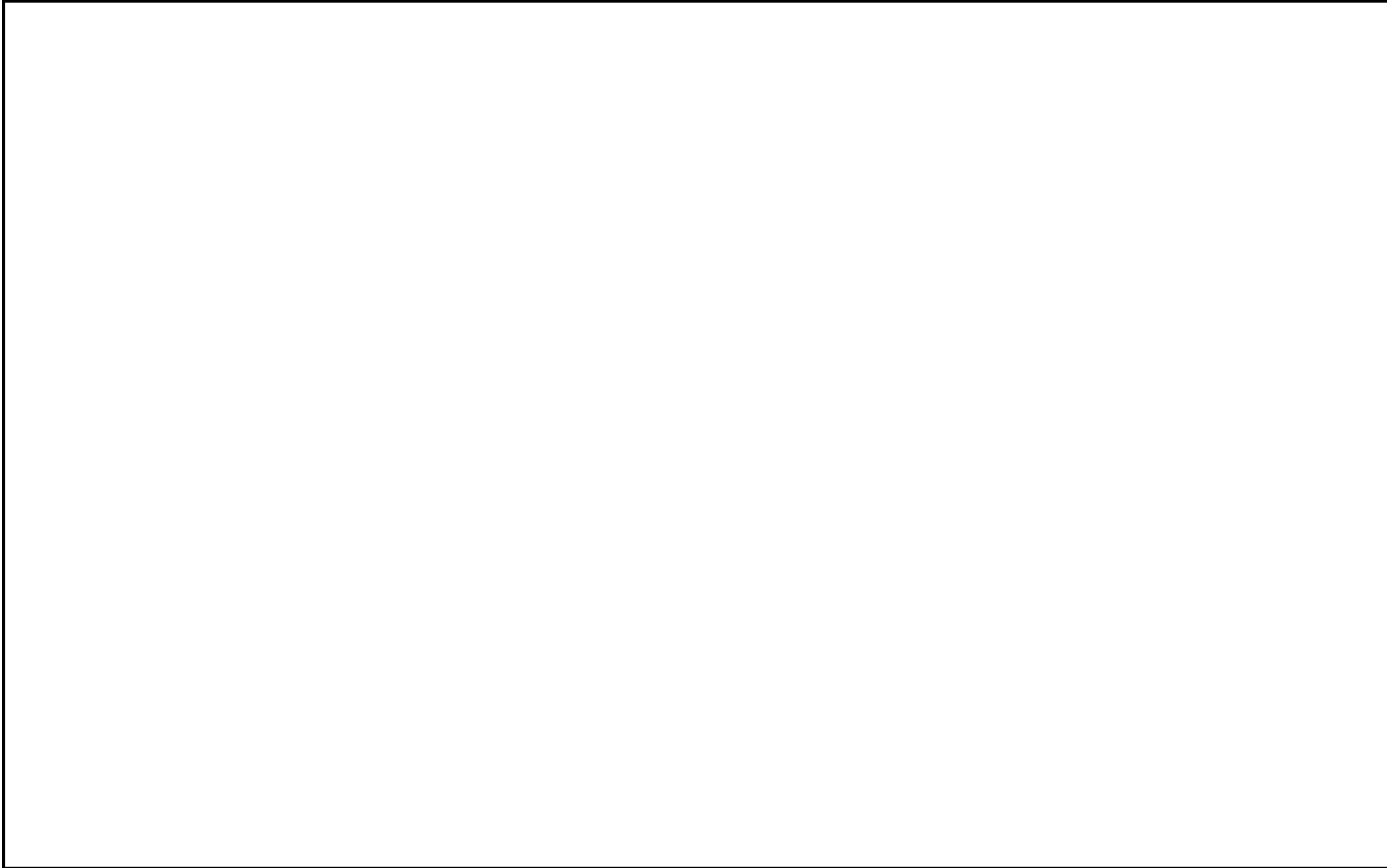


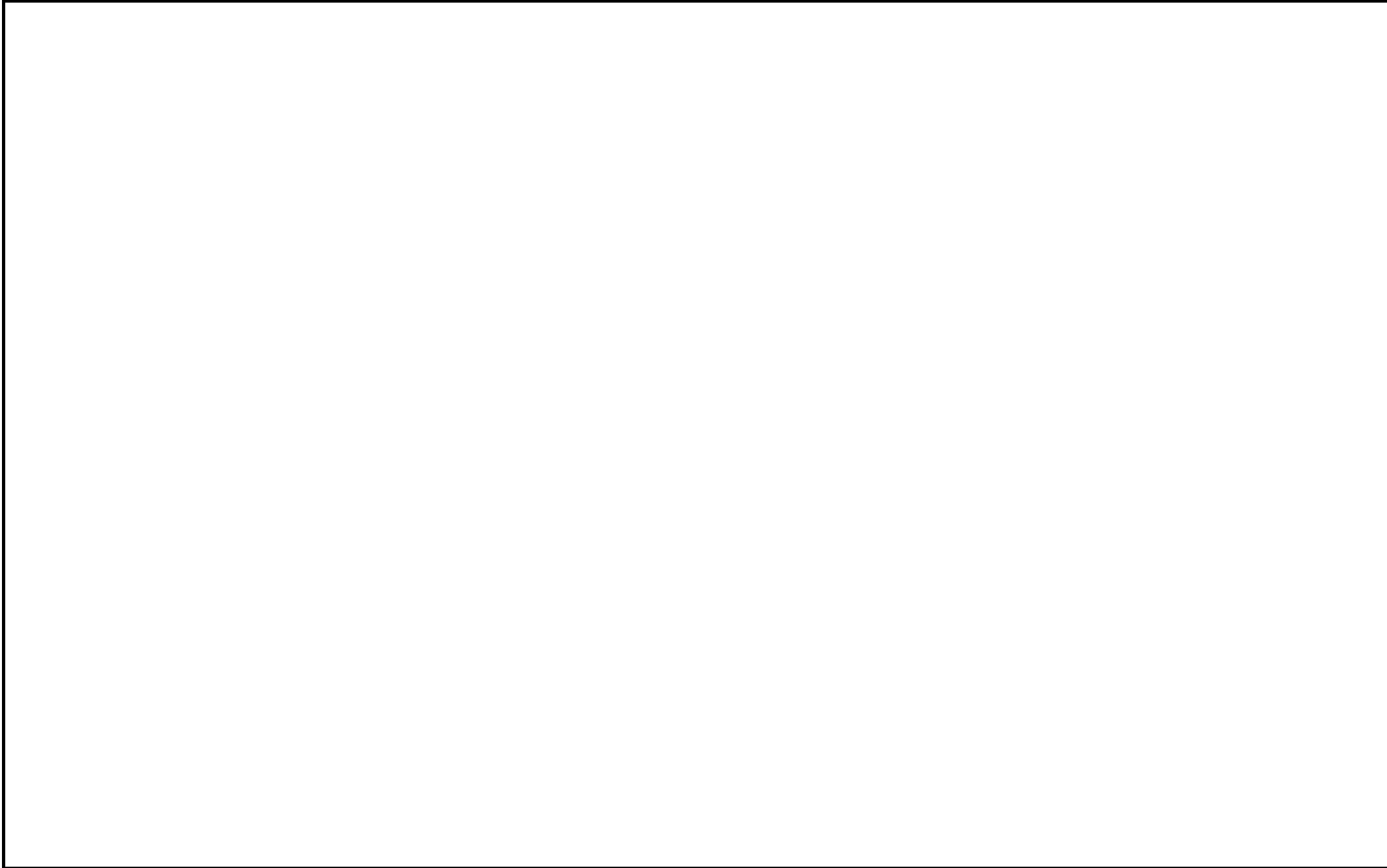
FIG	PART NUMBER	DESCRIPTION	QTY
0	00063099111	Bag for Instruction Manual	1
0	312305	DOCUMENTS BAG 2006	1
0	312313	KTM BALLPOINT ORANGE	1
0	3210039	CUSTOMER WELCOME LETTER	1
0	3211194	USER MANUAL 950 SE R 07	1

070002000 / C076302000

\* NEW PART

X AS REQUIRED









KTM-Sportmotorcycle AG  
A-5230 Mattighofen  
[www.ktm.at](http://www.ktm.at)

KTM Group Partner



3CF9803G9EN



Art.Nr.: 3CF9803G9EN 9/2006