


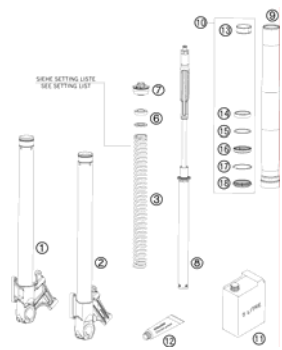
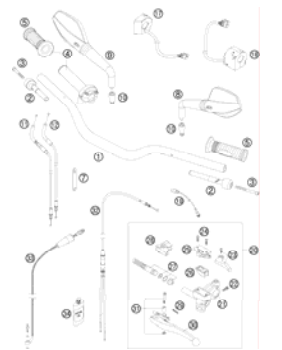
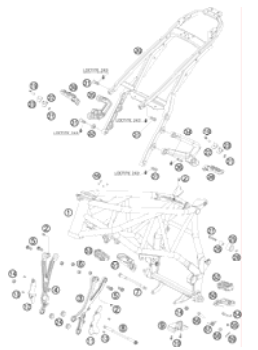
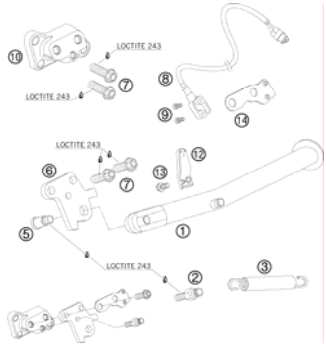
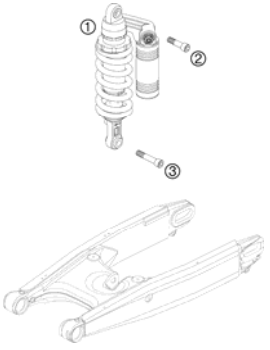
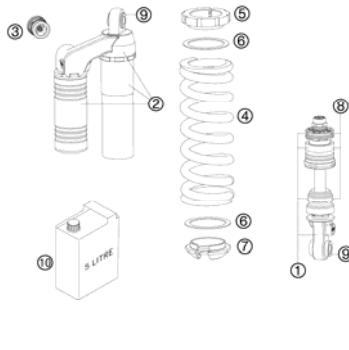
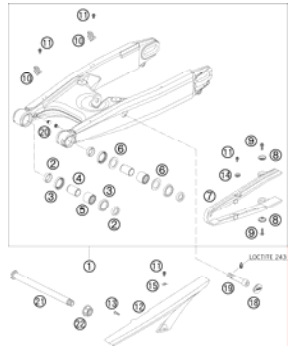
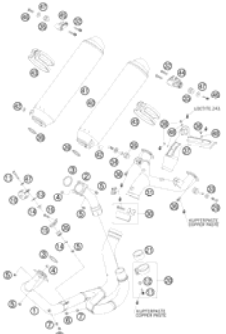
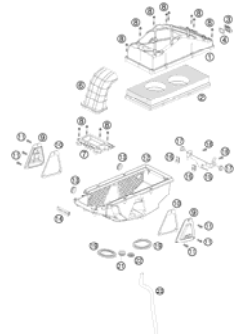

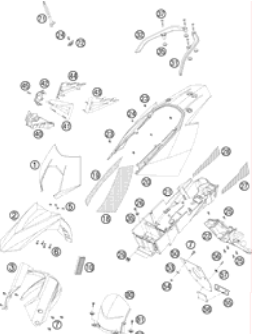
950 SUPERMOTO R EU 2008

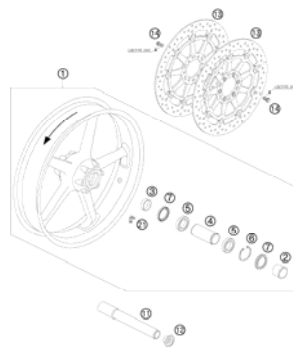
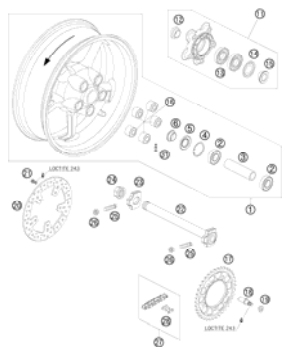

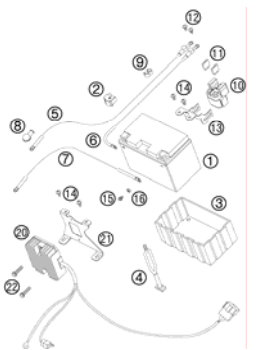
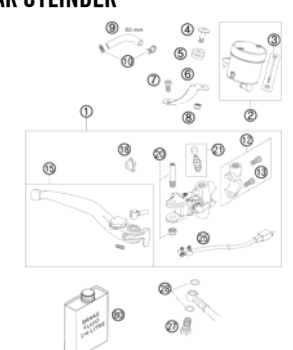
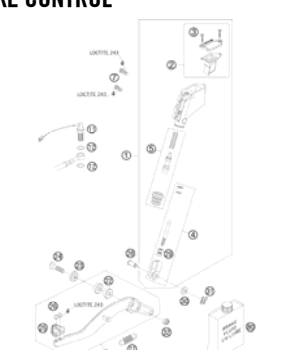
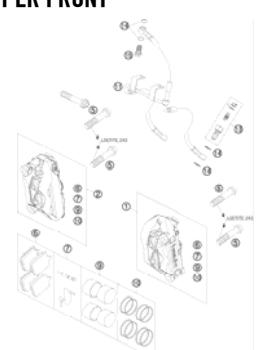
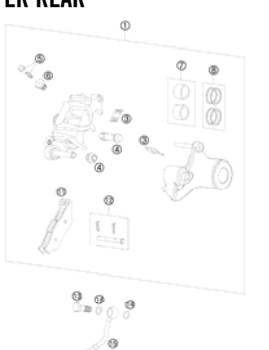

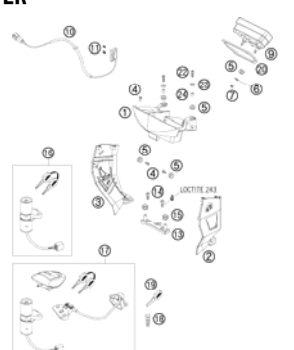
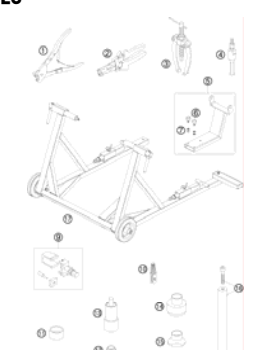
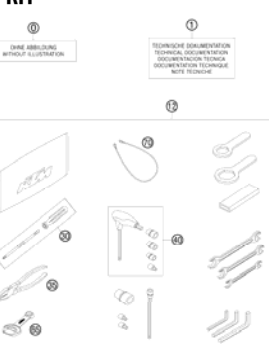
SPARE PARTS MANUAL: CHASSIS


ART.NO.: 3CF9803H1EN

ENGLISH



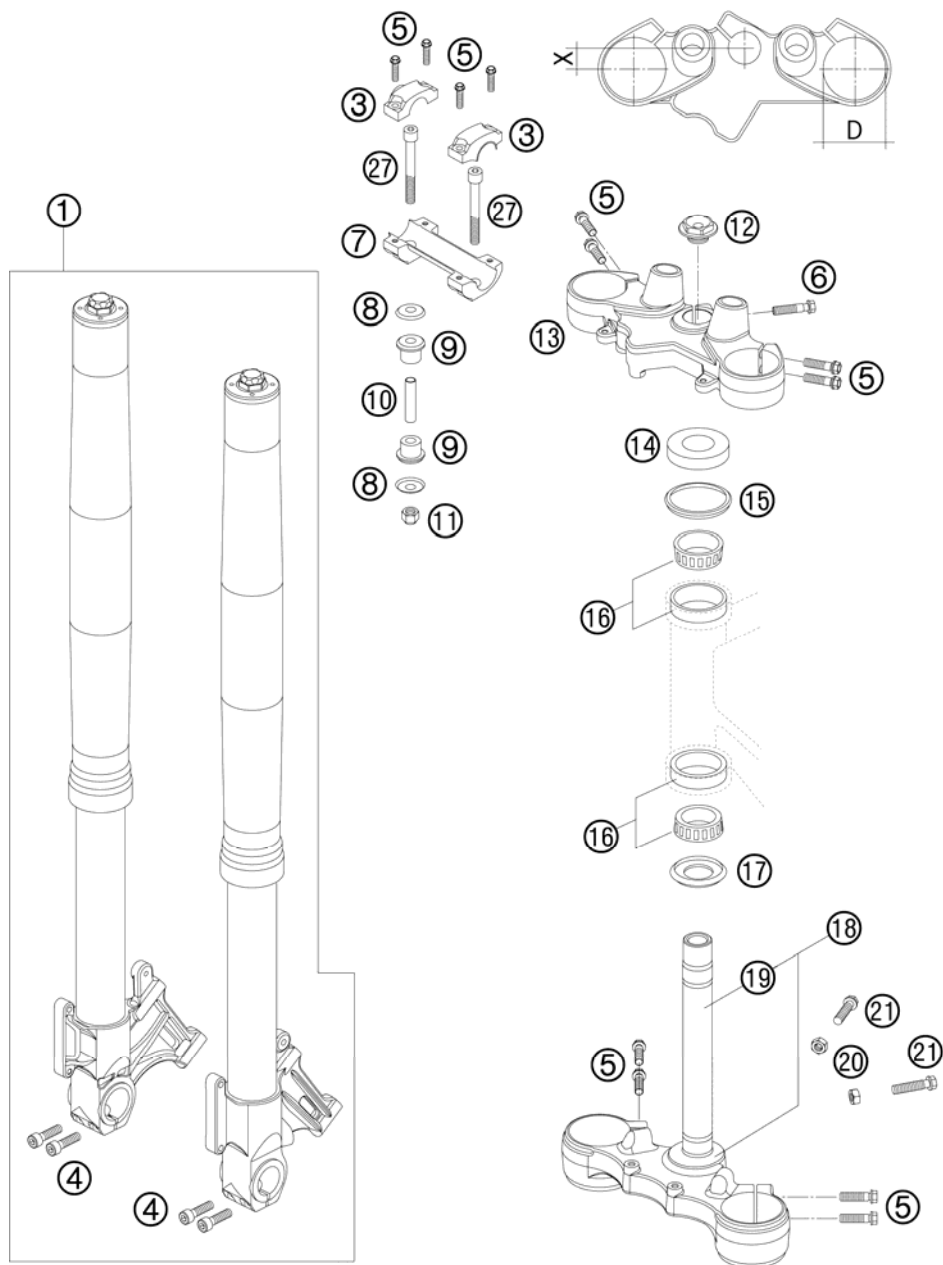
| | | | |
|---|---|---|--|
| <p>FRONT FORK</p>  <p>4</p> | <p>FRONT FORK DISASSEMBLED</p>  <p>5</p> | <p>HANDLEBAR, CONTROLS</p>  <p>6</p> | <p>FRAME, SUB FRAME</p>  <p>7</p> |
| <p>SIDE STAND</p>  <p>9</p> | <p>MONOSHOCK</p>  <p>10</p> | <p>MONOSHOCK DISASSEMBLED</p>  <p>11</p> | <p>SWING ARM</p>  <p>12</p> |
| <p>EXHAUST SYSTEM</p>  <p>13</p> | <p>AIR FILTER BOX</p>  <p>14</p> | <p>TANK, SEAT, COVER</p>  <p>15</p> | <p>MASK, FENDERS</p>  <p>17</p> |

| | | | |
|--|--|--|---|
| <p>FRONT WHEEL</p>  <p>19</p> | <p>REAR WHEEL</p>  <p>20</p> | <p>WIRING HARNESS</p>  <p>21</p> | <p>BATTERY</p>  <p>22</p> |
| <p>HAND BREAK CYLINDER</p>  <p>23</p> | <p>REAR BRAKE CONTROL</p>  <p>24</p> | <p>BRAKE CALIPER FRONT</p>  <p>25</p> | <p>BRAKE CALIPER REAR</p>  <p>26</p> |
| <p>LIGHTNING SYSTEM</p>  <p>27</p> | <p>SPEEDOMETER</p>  <p>28</p> | <p>SPEZIAL TOOLS</p>  <p>29</p> | <p>ACCESSORIES KIT</p>  <p>30</p> |

| | | | |
|--|---|--|--|
| | | | |
| | | | |
| |  | <p>All information contained is without obligation. KTM-Sportmotorcycle AG particularly reserves the right to modify any equipment, technical specifications, prices, colors, shapes, materials, services, service work, constructions, equipment and the like so as to adapt them to local conditions or to cancel any of the above items, all without previous announcement and without giving reasons. KTM may stop manufacturing certain models without previous notice. KTM shall not be held liable for any deviations of availability and/or ability to deliver, illustrations, descriptions, printing and/or other errors. The illustrated models partly contain extra equipment, which is not applied to standard models. © by KTM-SPORTMOTORCYCLE AG, Mattighofen AUSTRIA; All rights reserved; Reprint, also in extracts, with written allowance of KTM-SPORTMOTORCYCLE AG, Mattighofen only.</p> | |

FRONT FORK

950 SUPERMOTO R EU 2008



| FIG | PART NUMBER | DESCRIPTION | QTY |
|-----|----------------|--------------------------------|-----|
| 1* | 14187D21 | FRONT FORK WP 950 SUPERMOTO-R | 1 |
| 3 | 5900103830001S | HANDLEBAR CLAMP 28MM 07 | 2 |
| 4 | 0912080303 | AH SCREW DIN0912-M 8X30 | 4 |
| 5* | 0025080306 | HH COLLAR SCREW M8X30 TX40 | 12 |
| 6* | 0025080356 | HH COLLAR SCREW M8X35 TX40 | 1 |
| 7 | 5900103920001S | HANDLEBAR SUPPORT 28MM 07 | 1 |
| 8 | 56401042000 | WASHER 10,5X32X2 | 4 |
| 9 | 56401040000 | RUBBER BUSHING | 4 |
| 10 | 56401041100 | SPACER TUBE 10,2X12X44 | 2 |
| 11 | 0982100003 | SELF LOCK.NUT DIN0982-M10 HIGH | 2 |
| 12 | 54801036200 | STEER.HEAD SCREW M20x1,5 SW=27 | 1 |
| 13 | 6250103402733S | TOP TRIPLE CLAMP 07 | 1 |
| 14 | 5420108600030 | STEERING HEAD COVER BLACK 07 | 1 |
| 15 | 54601184000 | STEERING HEAD GASKET TOP | 1 |
| 16 | 54201081100 | TAPERED ROLLER BEARING CPL. 06 | 2 |
| 17 | 54601084100 | O-RING SUPPORT W. SEALING LIP | 1 |
| 18 | 6250103202733S | BOTTOM TRIPLE CLAMP CPL. 07 | 1 |
| 19 | 60001033000 | FORK TUBE LC8 ADV 03 | 1 |
| 20 | 0934080003 | HEXAGON NUT DIN0934-M 8 | 2 |
| 21 | 0933080303 | HH SCREW DIN0933-M 8X30 | 2 |
| 27 | 0984100703 | AH SCREW DIN6912-M10X70 | 2 |

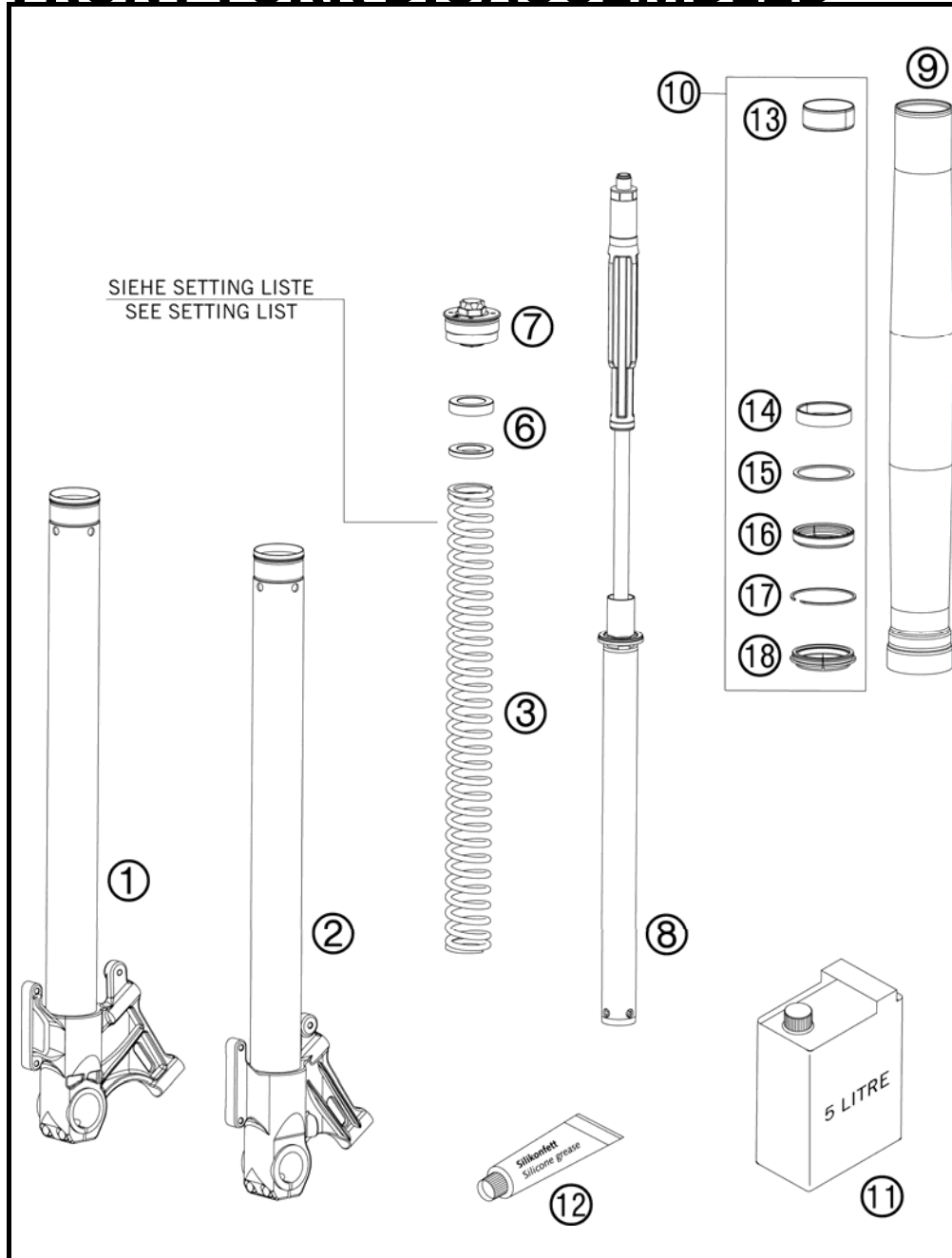
086250110 / C086250110

* NEW PART

X AS REQUIRED

FRONT FORK DISASSEMBLED

950 SUPERMOTO R EU 2008



| FIG | PART NUMBER | DESCRIPTION | QTY |
|-----|-------------|-------------------------------|-----|
| 1 | 48600685S1 | AXLE CLAMP R/S CPL. 07 | 1 |
| 2 | 48600686S1 | AXLE CLAMP L/S CPL. 07 | 1 |
| 3 | 91410045S | SPRING 5,9 N/MM SET D=5,5MM | 2 |
| 6 | 48600036 | SPACER 42X26,5X2,5 | 2 |
| 6 | 48600037 | SPACER 42X26,5X5 | 2 |
| 6 | 48600053 | SPACER 42X26,5X1,5 | 2 |
| 7 | 48600431S | PRE-LOAD ADJ. CPL. M51X1,5 05 | 2 |
| 8 | 48600502S | CARTRIDGE CPI. 05 | 2 |
| 9 | 48600484 | OUTER TUBE L=500MM D=54/60 | 2 |
| 10 | R14011 | REPAIR-KIT GASKET 05 | 1 |
| 11 | 48600401S1 | FORK OIL SAE5 5L 2005 | 1 |
| 12 | T511 | SILICONE GREASE F. DUST STRI | 1 |
| 13 | 48600428 | DU-BUSH D47XD49X20DDL02 | 2 |
| 14 | 48600429 | DU-BUSH D48XD52X12DDL02 | 2 |
| 15 | 48600013 | SUPPORT RING 50 X 57,6 X 1,5 | 2 |
| 16 | 48600399 | OIL SEAL RING 48X57,8X9,5 | 2 |
| 17 | 48600070 | LOCK WASHER SB58 | 2 |
| 18 | 48600400 | DUST CAP D=48 58,4X11,8 | 2 |

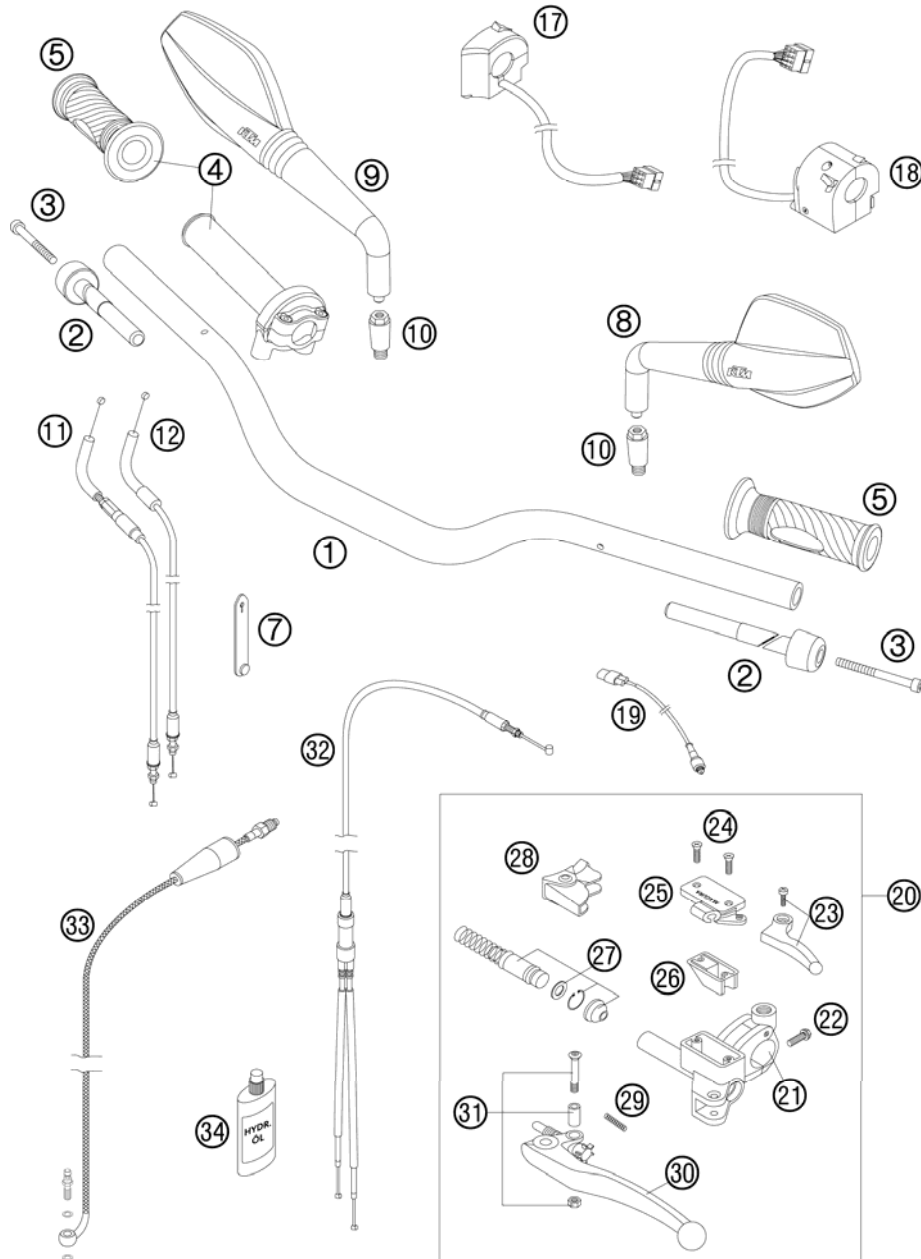
086250130 / C086250130

* NEW PART

X AS REQUIRED

HANDLEBAR, CONTROLS

950 SUPERMOTO R EU 2008



| FIG | PART NUMBER | DESCRIPTION | QTY |
|-----|-------------|--------------------------------|-----|
| 1 | 62502001000 | HANDLEBAR ALU 05 | 1 |
| 2 | 61002004000 | VIBRATIONS ABSORBER 05 | 2 |
| 3 | 0912060653 | AH SCREW DIN0912-M 6X65 | 2 |
| 4 | 61002010000 | THROTTLE GRIP 05 | 1 |
| 5 | 61002021000 | GRIPP SET | 1 |
| 7 | 60011093045 | RUBBER CABLE TIE 45MM 03 | x |
| 8 | 61112040000 | REVIEW MIRROR L/S 07 | 1 |
| 9 | 61112041000 | REVIEW MIRROR R/S 07 | 1 |
| 10 | 58412040050 | SUPPORT FOR MIRROR LC4 '98 | 2 |
| 11 | 62502091000 | THROTTLE CABLE OPEN 05 | 1 |
| 12 | 62502092000 | THROTTLE CABLE CLOSE 05 | 1 |
| 17 | 58411074300 | START-STOP SWITCH AD 03 | 1 |
| 18 | 61011070000 | LIGHT SWITCH 05 | 1 |
| 19 | 58411049100 | CLUTCH SWITCH 03 | 1 |
| 20 | 60002030000 | MASTER CYLINDER CPL. LC8 2003 | 1 |
| 21 | 60002044000 | CLAMP MIRROR WITH CLAMP | 1 |
| 22* | 0025060206 | HH COLLAR SCREW M6X20 TX30 | 1 |
| 23 | 60036050000 | CHOKE LEVER CPL. LC8 2003 | 1 |
| 24 | 0965040123 | FLAT HEAD SCREW DIN0965-M 4X12 | 2 |
| 25 | 60002033000 | COVER HYD.CLUTCH WITH CHOKE 03 | 1 |
| 26 | 50302034000 | RUBBER FOR RESERVOIR '98 | 1 |
| 27 | 50302032000 | REP.SET PISTON CLUT.HYDR. '98 | 1 |
| 28 | 50302037000 | PROTECT.CAP FOR LEVER PERCH'98 | 1 |
| 29 | 59002035000 | SPRING FOR CLUTCH LEVER 03 | 1 |
| 30 | 60002031000 | CLUTCH LEVER LONG CPL. 2003 | 1 |
| 31 | 50302038000 | LEVER SCREW CPL. 125-200 '98 | 1 |
| 32 | 60002095000 | CHOKE CABLE LC8 ADVENTURE 03 | 1 |
| 33 | 60032063100 | CLUTCH PIPE LC8 ADV '03 | 1 |
| 34 | 50302036200 | OIL FOR HYD. CLUTCH 75ML | 1 |

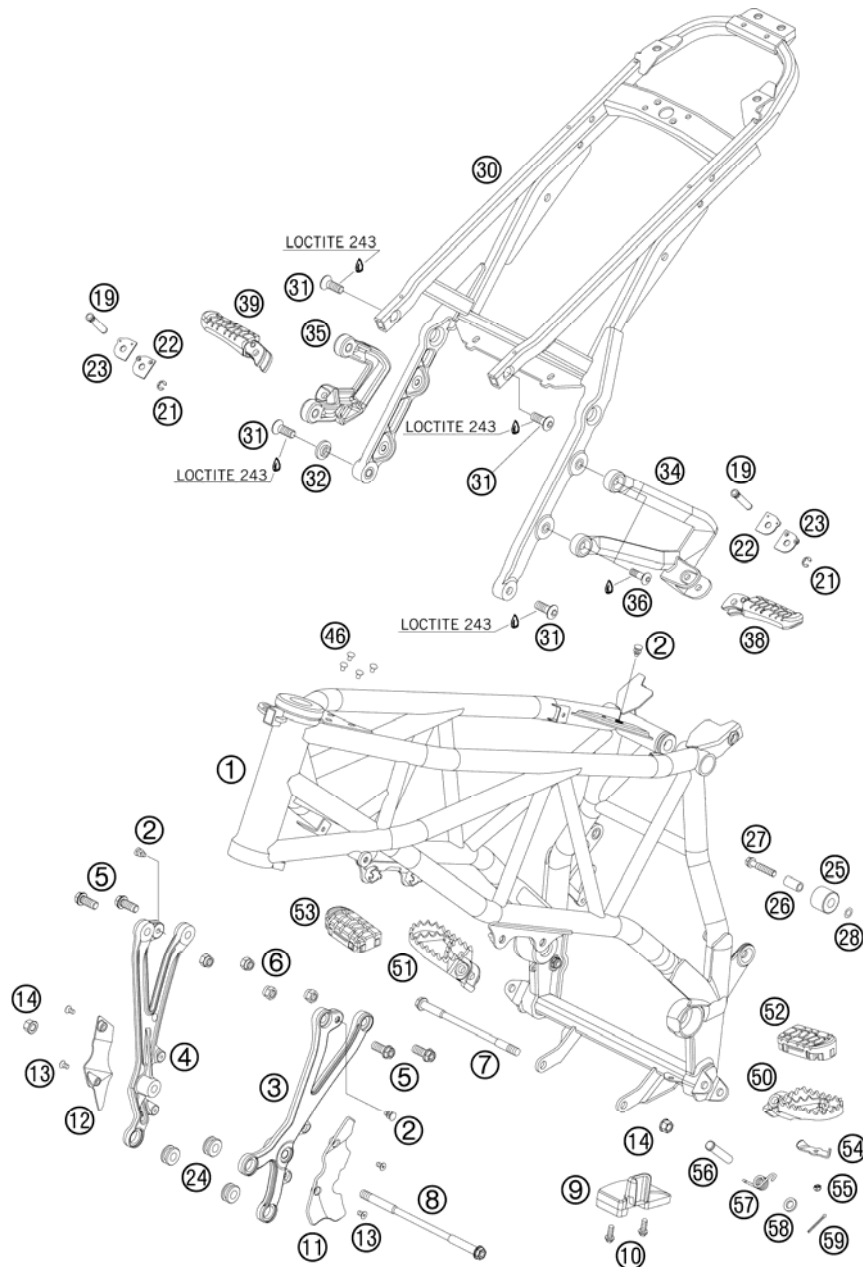
086250210 / C086250210

* NEW PART

X AS REQUIRED

FRAME, SUB FRAME

950 SUPERMOTO R EU 2008



| FIG | PART NUMBER | DESCRIPTION | QTY |
|-----|----------------|--------------------------------|-----|
| 1 | 6250300110033 | FRAME "FC07" MATT BLACK 07 | 1 |
| 2 | 54403135000 | PLASTIC CAP SFL10 | 3 |
| 3 | 6250300500001S | ENGINE SUPPORT L/S 07 | 1 |
| 4 | 6250300600001S | ENGINE SUPPORT R/S 07 | 1 |
| 5* | 0025100246 | COLLAR SCREW M10X24 TX | 4 |
| 6 | 54310086100 | SELF LOCKING NUT M10 CU WS=14 | 4 |
| 7 | 60003013000 | ENGINE BRAC. SCREW M10X172 03 | 1 |
| 8 | 60003014000 | ENGINE BRAC. SCREW M10X206 03 | 1 |
| 9 | 60004076100 | CHAIN SLIDING BLOCK 05 | 1 |
| 10 | 0017060204 | EJOT PT SCREW K60X20 ALU WS=6 | 2 |
| 11 | 62503005050 | COVER ENGINE SUPPORT LEFT 05 | 1 |
| 12 | 62503006050 | COVER ENGINE SUPPORT RIGHT 05 | 1 |
| 13 | 0991050102 | FLAT H.SCEW DIN7991-M5X10 10.9 | 4 |
| 14 | 54630044000 | COLLAR NUT M10 WS=13 | 2 |
| 19 | 60003044000 | BOLT FOR FOOTREST REAR 03 | 2 |
| 21 | 0799060003 | TAB WASHER DIN6799-RS 6,0 | 2 |
| 22 | 60003152000 | ENGAGE PANEL FOOTREST L/S 03 | 2 |
| 23 | 60003052000 | ENGAGE PANEL FOOTREST R/S 03 | 2 |
| 24 | 60003098000 | RUBBER SLEEVE 03 | 3 |
| 25 | 58403060000 | CHAIN ROLL 12X29X22,5 '98 | 1 |
| 26 | 58403060065 | BUSH CHAIN ROLL 8X12X23 '98 | 1 |
| 27* | 0025080406 | HH COLLAR SCREW M8X40 TX40 | 1 |
| 28 | 36003014000 | LOCK WASHER 8MM | 1 |
| 30 | 6250300200092 | SUB FRAME 07 | 1 |
| 31 | 60003004027 | FL.HEAD SCREW M10X1,25 L=27 03 | 4 |
| 32 | 60003001051 | COLLAR BUSHING 10X15X25X4 03 | 1 |
| 34 | 6250304800001S | FOOTREST BRACKET REAR L/S 07 | 1 |
| 35 | 6250304900001S | FOOTREST BRACKET REAR R/S 07 | 1 |
| 36 | 0019080266S | COUNTER-SUNK SCREW ISA45 M8X26 | 4 |
| 38 | 60003050000 | FOOTREST CPL. L/S REAR 03 | 1 |
| 39 | 60003051000 | FOOTREST CPL. R/S REAR 03 | 1 |
| 46 | 60103088000 | PLUG ZK 8/5 06 | 4 |
| 50 | 59003040250 | FOOT PED L/S SILVER 02 | 1 |
| 51 | 59003041250 | FOOT PED R/S SILVER 02 | 1 |
| 52 | 60003040010 | FOOTREST RUBBER FRONT L/S 03 | 1 |
| 53 | 60003041010 | FOOTREST RUBBER FRONT R/S 03 | 1 |

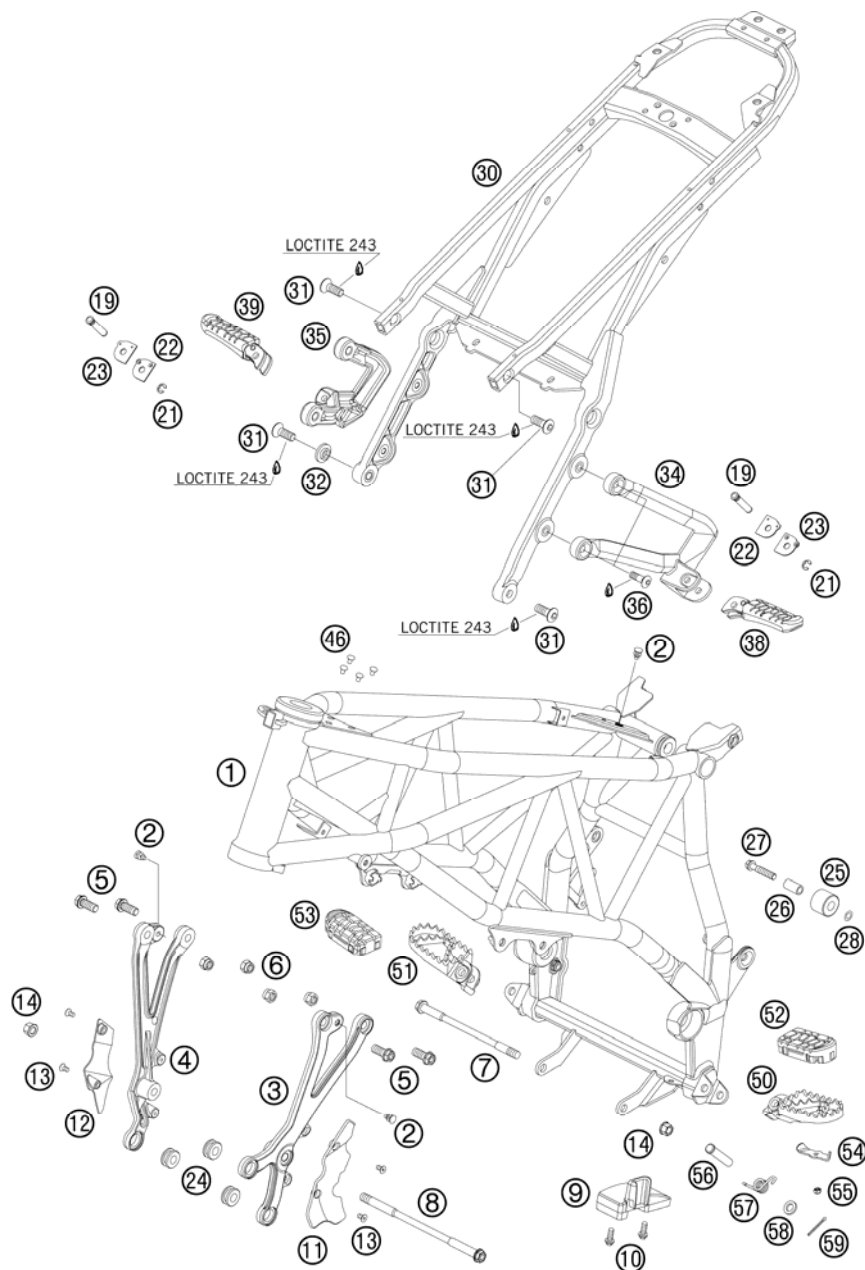
086250310 / C086250310

* NEW PART

X AS REQUIRED

FRAME, SUB FRAME

950 SUPERMOTO R EU 2008



| FIG | PART NUMBER | DESCRIPTION | QTY |
|-----|-------------|--------------------------------|-----|
| 54 | 60003044010 | CLOSING PANEL FRONT L/S R/S 03 | 2 |
| 55 | 0985050003 | SELF LOCKING NUT DIN0985-M 5 | 2 |
| 56 | 54803044000 | BOLT FOR FOOT PED 03 | 2 |
| 57 | 54603041000 | FOOTREST SPRING L/S & R/S | 2 |
| 58 | 0125100003 | WASHER DIN0125-A10,5 | 2 |
| 59 | 0094032253 | PIN DIN0094-3,2X25 STEEL | 2 |

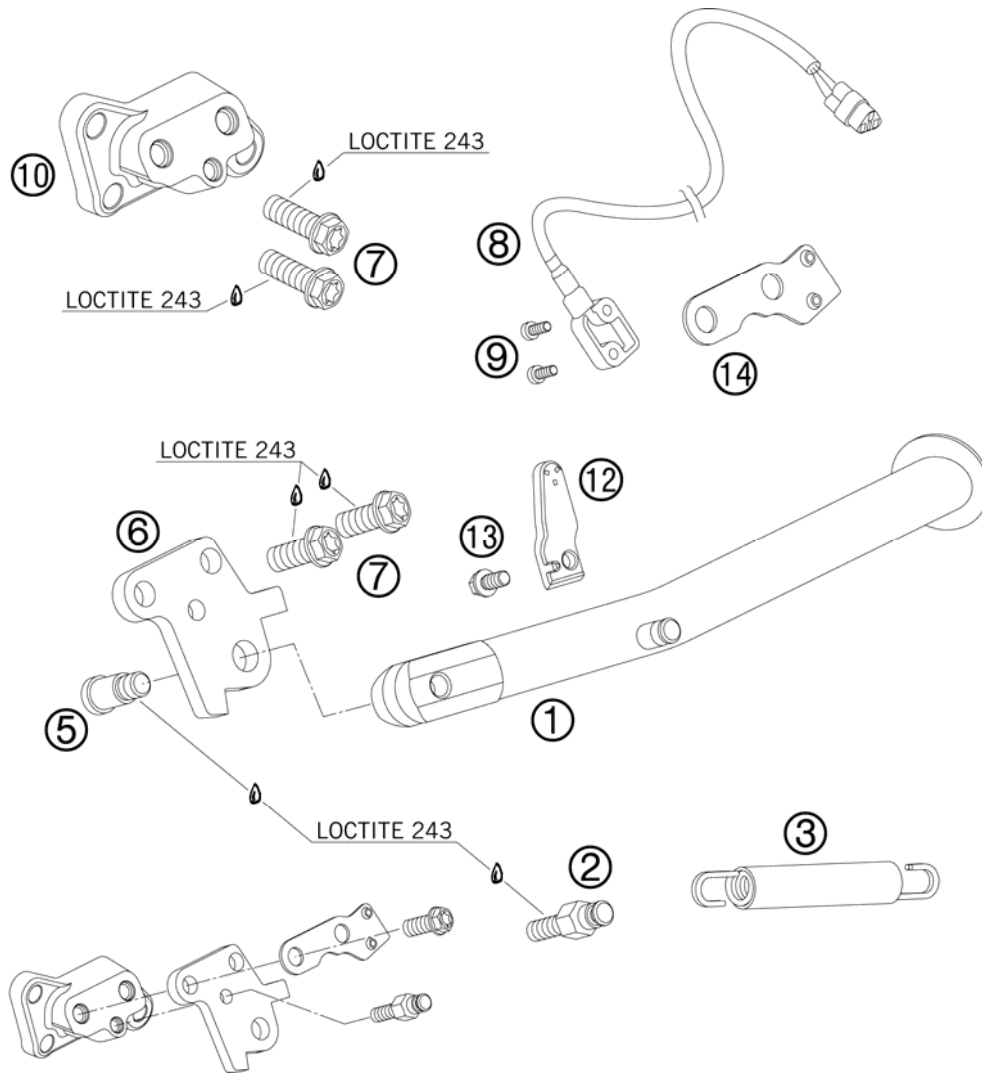
086250310 / C086250310

* NEW PART

X AS REQUIRED

SIDE STAND

950 SUPERMOTO R EU 2008

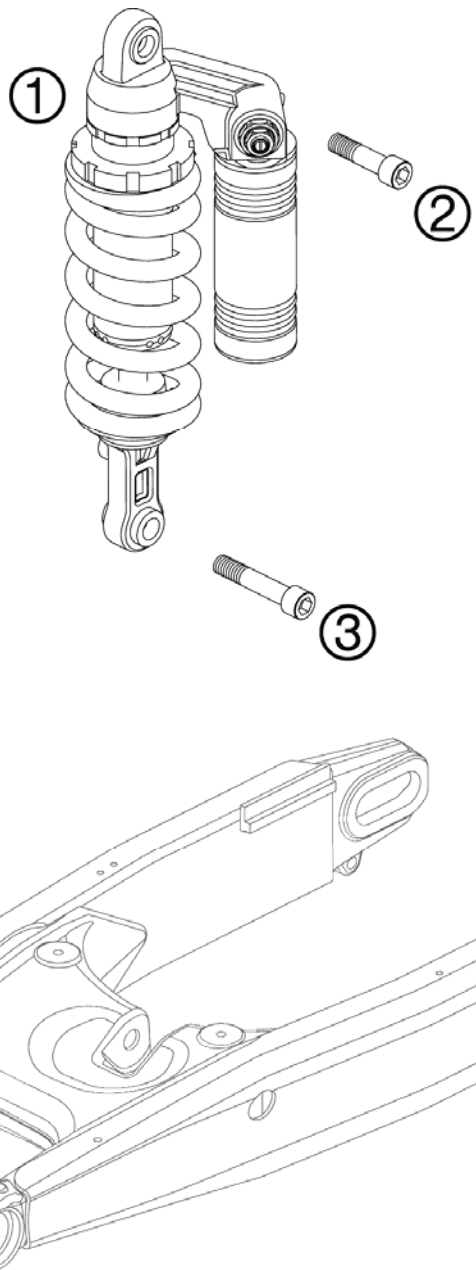


| FIG | PART NUMBER | DESCRIPTION | QTY |
|-----|---------------|------------------------------|-----|
| 1 | 6250302300033 | SIDE STAND L=236MM 07 | 1 |
| 2 | 61003028001 | SCREW SIDE STAND SPRING 05 | 1 |
| 3 | 61003024000 | SPRING L=116 MM 05 | 1 |
| 5 | 62503027100 | SCREW F. SIDE STAND M10X31,2 | 1 |
| 6 | 62503028010 | SIDE STAND PICKUP 05 | 1 |
| 7* | 0025100306 | COLLAR SCREW M10X30 TX | 4 |
| 8 | 61011045000 | SIDE STAND SENSOR 05 | 1 |
| 9 | 0084040103 | CYL.HEAD SCREW DIN84A M4x10 | 2 |
| 10 | 61003026000 | SIDE STAND BRACKET 05 | 1 |
| 12 | 62503029050 | MAGNET HOLDER 05 | 1 |
| 13* | 0025060126 | HH COLLAR SCREW M6X12 TX30 | 1 |
| 14 | 62503029000 | SUPPORT SIDE STAND SWITCH 05 | 1 |

086250360 / C086250360

* NEW PART

X AS REQUIRED



| FIG | PART NUMBER | DESCRIPTION | QTY |
|-----|-------------|------------------------------|-----|
| 1* | 15187D03 | MONOSHOCK 950 SUPERMOTO-R 08 | 1 |
| 2 | 60004016000 | SCREW M14X1,5 L=55MM 03 | 1 |
| 3 | 60004017000 | SCREW M14X1,5 L=73MM 03 | 1 |

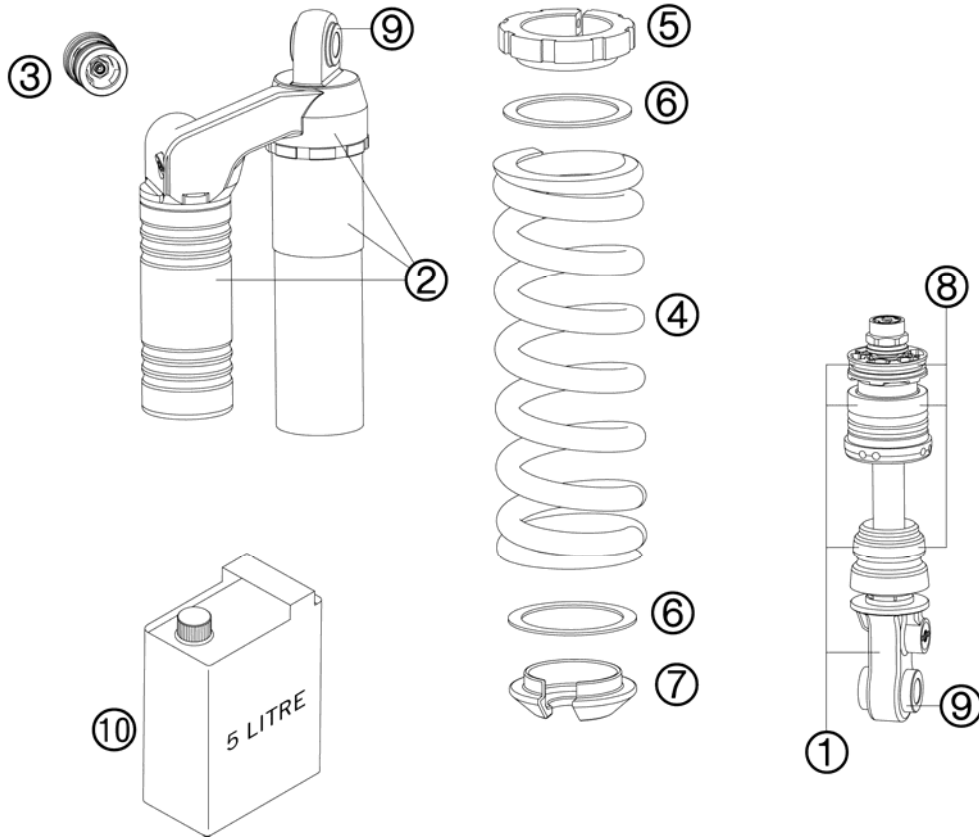
086250410 / C086250410

* NEW PART

X AS REQUIRED

MONOSHOCK DISASSEMBLED

950 SUPERMOTO R EU 2008



| FIG | PART NUMBER | DESCRIPTION | QTY |
|-----|-------------|--------------------------------|-----|
| 1 | 46180399S1 | MONOSHOCK LOWER PART CPL. 05 | 1 |
| 2 | 46180398S1 | MONOSHOCK CASE TOP 05 | 1 |
| 3 | 50180213S6 | DCC-COMPR.DAMP.CONTROL CPL. 04 | 1 |
| 4 | 91010086S | SPRING 130-215 (59) D=13,5 | 1 |
| 4 | 91010171S | SPRING 120-215 (59) D=13,0 | x |
| 4 | 91010172S | SPRING 140-215 (59) D=13,75 | x |
| 5 | 46180394S | ADJUSTING NUT M52X1,5 | 1 |
| 6 | 50180410 | INTERM.RING D=58 | 2 |
| 7 | 46180396 | SPRING RETAINER H=15 D=28 | 1 |
| 8 | R15004 | REPAIR KIT GASKET 05 | 1 |
| 9 | R15003 | REPAIR KIT BEARINGS 05 | 1 |
| 10 | 50180342S1 | SHOCK ABSORBER FLUID 5 LT '03 | 1 |

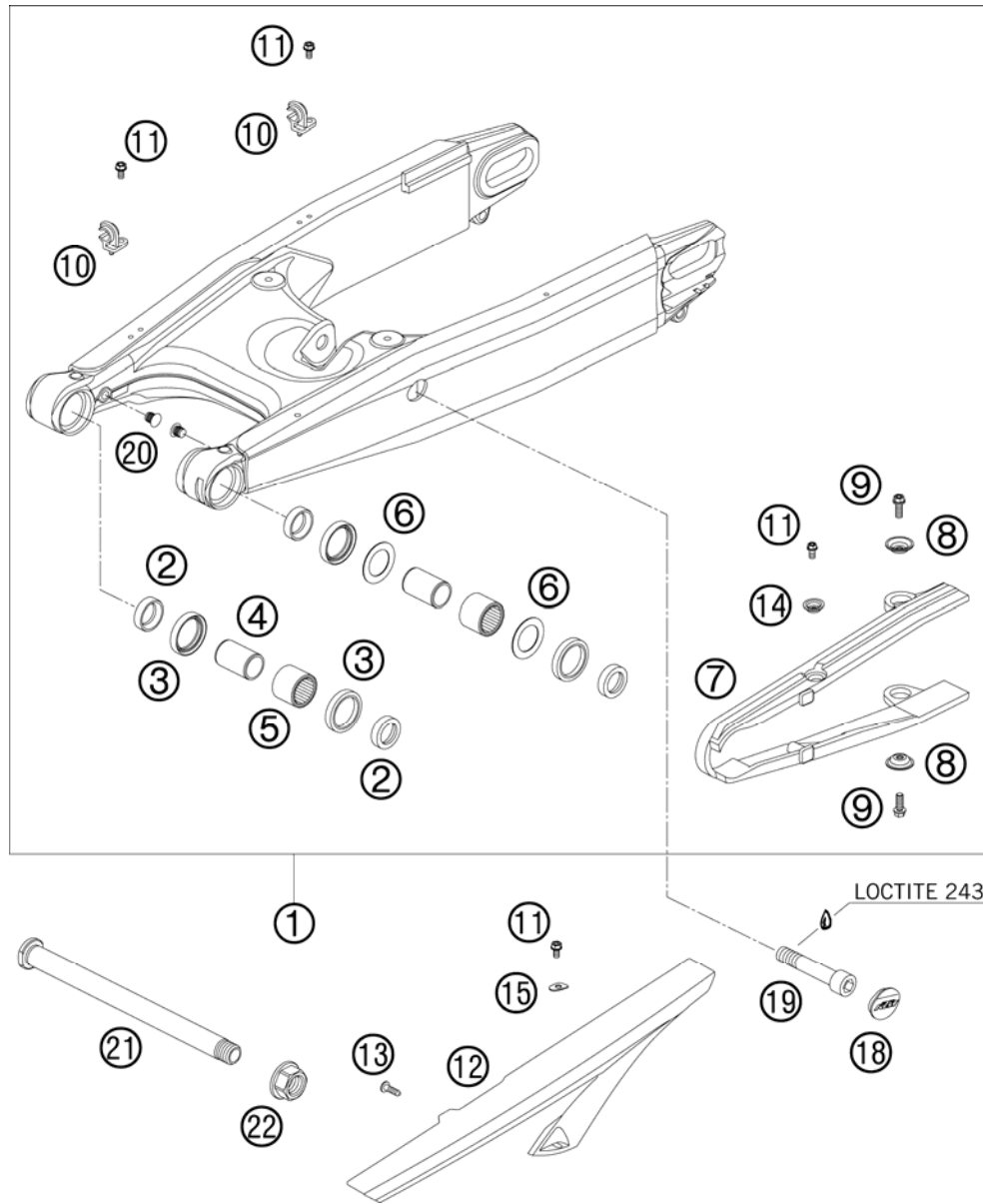
086250430 / C086250430

* NEW PART

X AS REQUIRED

SWING ARM

950 SUPERMOTO R EU 2008



| FIG | PART NUMBER | DESCRIPTION | QTY |
|-----|---------------|--------------------------------|-----|
| 1 | 6100403004433 | SWING ARM CPL. SM-R SD-R 07 | 1 |
| 2 | 60004034000 | BUCKET F. SHAFT SEAL RING 03 | 4 |
| 3 | 0760304073 | SHAFT SEAL RING 30X40X7 | 4 |
| 4 | 60004032000 | INNER RING JR20X25X38,5 03 | 2 |
| 5 | 60004031000 | NEEDLE BUSH HK2526B 03 | 2 |
| 6 | 60004033000 | STOP DISK 03 | 2 |
| 7 | 60004066100 | CHAIN SLID. GUARD SWINGARM 05 | 1 |
| 8 | 72210079000 | BUCKET | 3 |
| 9* | 0025060166 | HH COLLAR SCREW M6X16 TX30 | 2 |
| 10 | 5461107610030 | RET. CLAMP F. BRAKE HOSE BLACK | 2 |
| 11 | 0009050103 | SPECIAL SCREW M 5,0X10 | 4 |
| 12 | 61004060000 | CHAINGUARD 05 | 1 |
| 13 | 0081500181 | SCREW FOR PLASTIC D=5X18 | 1 |
| 14 | 46104066050 | BUSH FOR CHAIN SLIDER GUARD 02 | 1 |
| 15 | 61004060050 | WASHER CHAINGUARD 05 | 1 |
| 18 | 60004041000 | PLUG SWINGARM 03 | 1 |
| 19 | 60004017000 | SCREW M14X1,5 L=73MM 03 | 1 |
| 20 | 55009086000 | PLUG SFL13 | 2 |
| 21 | 60004037144 | SWINGARM BOLT CPL. 05 | 1 |
| 22 | 60004038000 | COLLAR NUT M19X1,5 WS=27MM 03 | 1 |

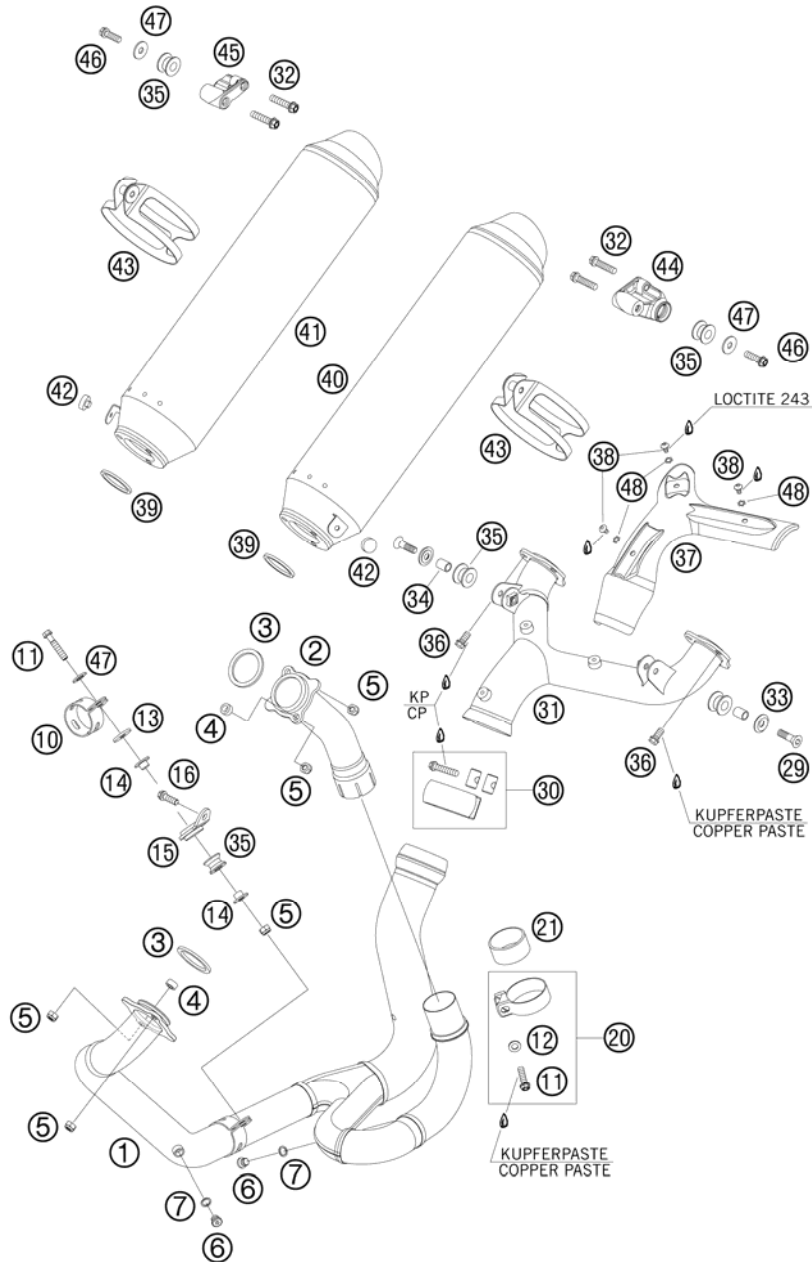
086250490 / C086250490

* NEW PART

X AS REQUIRED

EXHAUST SYSTEM

950 SUPERMOTO R EU 2008



| FIG | PART NUMBER | DESCRIPTION | QTY |
|-----|----------------|--------------------------------|-----|
| 1 | 62505007100 | EXHAUST PIPE FRONT | 05 |
| 2 | 62505008000 | EXHAUST PIPE REAR | 05 |
| 3 | 60005005000 | GASKET | 03 |
| 4 | 61005009000 | SPACER BUSH. 8,5X15X7,5 | 05 |
| 5 | 51010086100 | SELF LOCKING NUT M 8 CU | 5 |
| 6 | 0908100000 | PLUG DIN0908-M10X1 A2 | 2 |
| 7 | 0603100141 | COPPER GASKET DIN7603-10X14X1 | 2 |
| 10 | 61005007049 | CLAMP EXHAUST PIPE | 05 |
| 11* | 0025080406 | HH COLLAR SCREW M8X40 TX40 | 2 |
| 12 | 0125080003 | WASHER DIN0125-A 8,4 | 1 |
| 13 | 51005067000 | INSULATE WASHER 8,5X28X3 | 1 |
| 14 | 58405050065 | COLLAR BUSH 8,5X12X23,5X10 | 2 |
| 15 | 62505015150 | EXHAUST PIPE BRACKET FRONT | 07 |
| 16* | 0025080356 | HH COLLAR SCREW M8X35 TX40 | 1 |
| 20 | 61005051100 | CLAMP CPL. D=53,2MM | 05 |
| 21 | 58405005001 | GRAPHITRING 45X50X25 | 1 |
| 29 | 0991080353 | FLAT HEAD SCREW DIN7991-M 8X35 | 2 |
| 30 | 61005052000 | EXHAUST CLAMP CPL. | 05 |
| 31 | 62505048100 | DISTRIBUTOR TUBE | 05 |
| 32* | 0025080306 | HH COLLAR SCREW M8X30 TX40 | 4 |
| 33 | 58303061100 | SPECIAL WASHER ALU 8X24 MM ELO | 2 |
| 34 | 62505069000 | SPACER BUSH. 8,5X12X18MM | 05 |
| 35 | 54305068100 | DAMP. COMPONENT SILICONE GREY | 5 |
| 36* | 0025080166 | HH COLLAR SCREW M8X16 TX40 | 6 |
| 37 | 62505047000 | THERMAL SHIELD | 05 |
| 38 | 58605083010 | SCREW TORX M5X10 | 05 |
| 39 | 60005005002 | EXHAUST GASKET | 03 |
| 40* | 62605082000 | SILENCER L/S | 08 |
| 41* | 62605083000 | SILENCER R/S | 08 |
| 42 | 54308042000 | RUBBER BUFFER | 2 |
| 43 | 60005095000 | CLAMP FOR SILENCER CPL. | 03 |
| 44 | 6000508500001S | SILENCER/HANDLE HOLDER L/S | 07 |
| 45 | 6000508600001S | SILENCER/HANDLE HOLDER R/S | 07 |
| 46* | 0025080256 | HH COLLAR SCREW M8X25 TX40 | 2 |
| 47 | 0021080003 | WASHER DIN9021-A 8,4 | 3 |
| 48 | 0797050000 | TOOTH LOCK WASHER DIN6797-J | 3 |

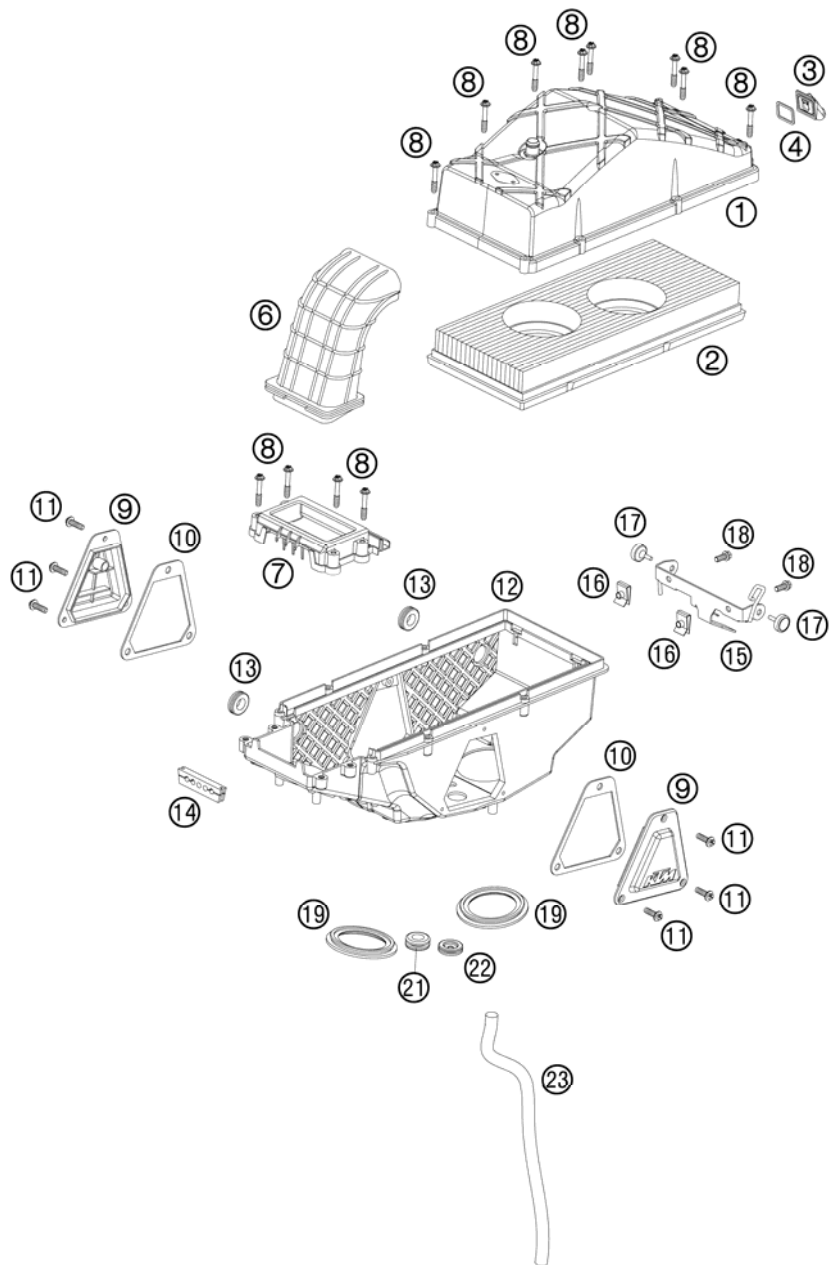
086250510 / C086250510

* NEW PART

X AS REQUIRED

AIR FILTER BOX

950 SUPERMOTO R EU 2008



| FIG | PART NUMBER | DESCRIPTION | QTY |
|-----|-------------|--------------------------------|-----|
| 1 | 60006002000 | AIRBOX COVER LC8 03 | 1 |
| 2 | 60006015000 | AIR FILTER LC8 03 | 1 |
| 3 | 60006007000 | CONNECTOR FOR SAS LC8 03 | 1 |
| 4 | 60006007050 | GASKET SAS CONNECTOR 03 | 1 |
| 6 | 60006040000 | INTAKE SNORKEL 03 | 1 |
| 7 | 60006004000 | AIRBOX FRONT PART LC8 03 | 1 |
| 8 | 60006006000 | SPECIAL SCREW K60X35/15 03 | 12 |
| 9 | 60006003002 | AIRBOX COVER L/S R/S 03 | 2 |
| 10 | 60006003050 | GASKET F. AIRBOX COVER L/S R/S | 2 |
| 11 | 0017060203 | EJOT PT SCREW K60X20 WS=6 | 6 |
| 12 | 60006001033 | FILTER BOX LOWER PART USA 03 | 1 |
| 13 | 60006001050 | RUBBER SLEEVE D=16MM CLOSED 03 | 2 |
| 14 | 60006001030 | RUBBER SLEEVE CABLE PASSAGE 03 | 1 |
| 15 | 60006001020 | BRACKET PANEL SAS A. EPC 03 | 1 |
| 16 | 54603048100 | RANGE CHANGE METAL NUT M6 | 2 |
| 17 | 60006001021 | DISTANCE RUBBER AIRBOX 03 | 2 |
| 18* | 0025060166 | HH COLLAR SCREW M6X16 TX30 | 2 |
| 19 | 60036045000 | RUBBER SLEEVE AIRBOX 03 | 2 |
| 21 | 60006001041 | RUBBER SLEEVE FUEL HOSE 03 | 1 |
| 22 | 60006001023 | RUBBER SLEEVE STOP SCREW | 1 |
| 23 | 57005020001 | HOSE 10X14 PER METER | x |

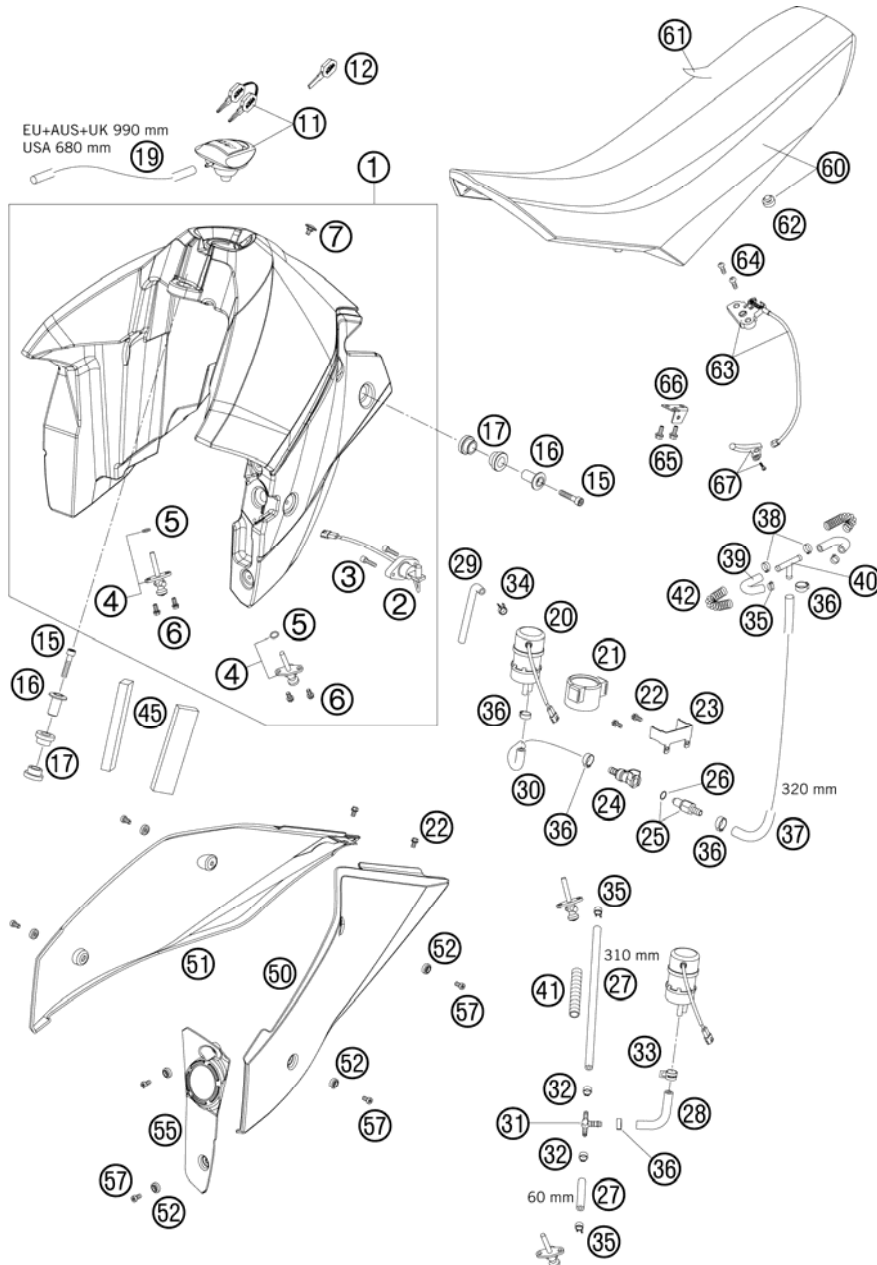
086250610 / C086250610

* NEW PART

X AS REQUIRED

TANK, SEAT, COVER

950 SUPERMOTO R EU 2008



| FIG | PART NUMBER | DESCRIPTION | QTY |
|-----|----------------|--------------------------------|-----|
| 1 | 6300711300033A | FUEL TANK BLACK MATT 07 | 1 |
| 2 | 58207080100 | GAS-LEVEL SENSOR ADV. 2006 | 1 |
| 3 | 0912050163 | AH SCREW DIN0912-M 5X16 | 2 |
| 4 | 58507003000 | FUEL COCK CPL. SMALL RALLYE'96 | 2 |
| 5 | 55007006200 | O-RING 11X1,8 NBR 70 | 2 |
| 6* | 0025060166 | HH COLLAR SCREW M6X16 TX30 | 4 |
| 7 | 58407011100 | SCREW FOR SEAT M6X11,5/8 | 1 |
| 11 | 58407008200 | TANK PLUG 06 | 1 |
| 12 | 40011166100 | KEY BLANK LC4/DUKE/LC8 | 1 |
| 15 | 0912080403 | AH SCREW DIN912 M8X40 | 3 |
| 16 | 61007060000 | BEARING BUSHING OUTSIDE 05 | 3 |
| 17 | 61007065000 | TANK RUBBER BUSHING FRONT 05 | 6 |
| 19 | 60007026001 | HOSE NBR 5,4X9,4 PER METER | 1 |
| 20 | 60012088100 | FUEL PUMP 04 | 1 |
| 21 | 60012088050 | FUEL PUMP HOLDER 03 | 1 |
| 22* | 0024060106 | HH COLLAR SCREW M6X10 TX30 | 4 |
| 23 | 62512071000 | SUPPORT FUEL PUMP 05 | 1 |
| 24 | 5850701050030 | CLUTCH CPC BLACK 05 | 1 |
| 25 | 5850701030030 | PLUG CPC BLACK 05 | 1 |
| 26 | 58507012000 | O-RING VITON F. PLUG CPC 05 | 1 |
| 27 | 60007116001 | HOSE 6X12 PER METER | x |
| 28 | 62507016070 | FUEL HOSE 05 | 1 |
| 29 | 50307016000 | FUEL PREFORMED HOSE SX 2001 | 1 |
| 30 | 62507016060 | FUEL HOSE 05 | 1 |
| 31 | 60007015100 | T-CONNECTOR 6-6-8 MM 05 | 1 |
| 32 | 58007117200 | OETIKER HOSE CLAMP 13,3MM | 2 |
| 33 | 00049140121 | CLAMP STD DN14 | 1 |
| 34 | 58007117000 | YDNAC-CLAMP 10107 10MM | 1 |
| 35 | 58031005000 | CLAMP YDNAC 10128 12MM | 4 |
| 36 | 00050153706 | VARIABLE ONE-EAR CLAMP 15,3MM | 5 |
| 37 | 60007016001 | HOSE 7,5X13,5 PER METER | x |
| 38 | 00050140706 | VARIABLE ONE-EAR CLAMP 14,0MM | 2 |
| 39 | 60007016000 | FUEL PREFORMED HOSE 03 | 2 |
| 40 | 60007015000 | T-CONNECTOR 8MM 03 | 1 |
| 41 | 62507016050 | THERMAL PROTECTION L=105MM 05 | 1 |
| 42 | 60007016050 | PROTECTION SPRING FUEL HOSE | 2 |

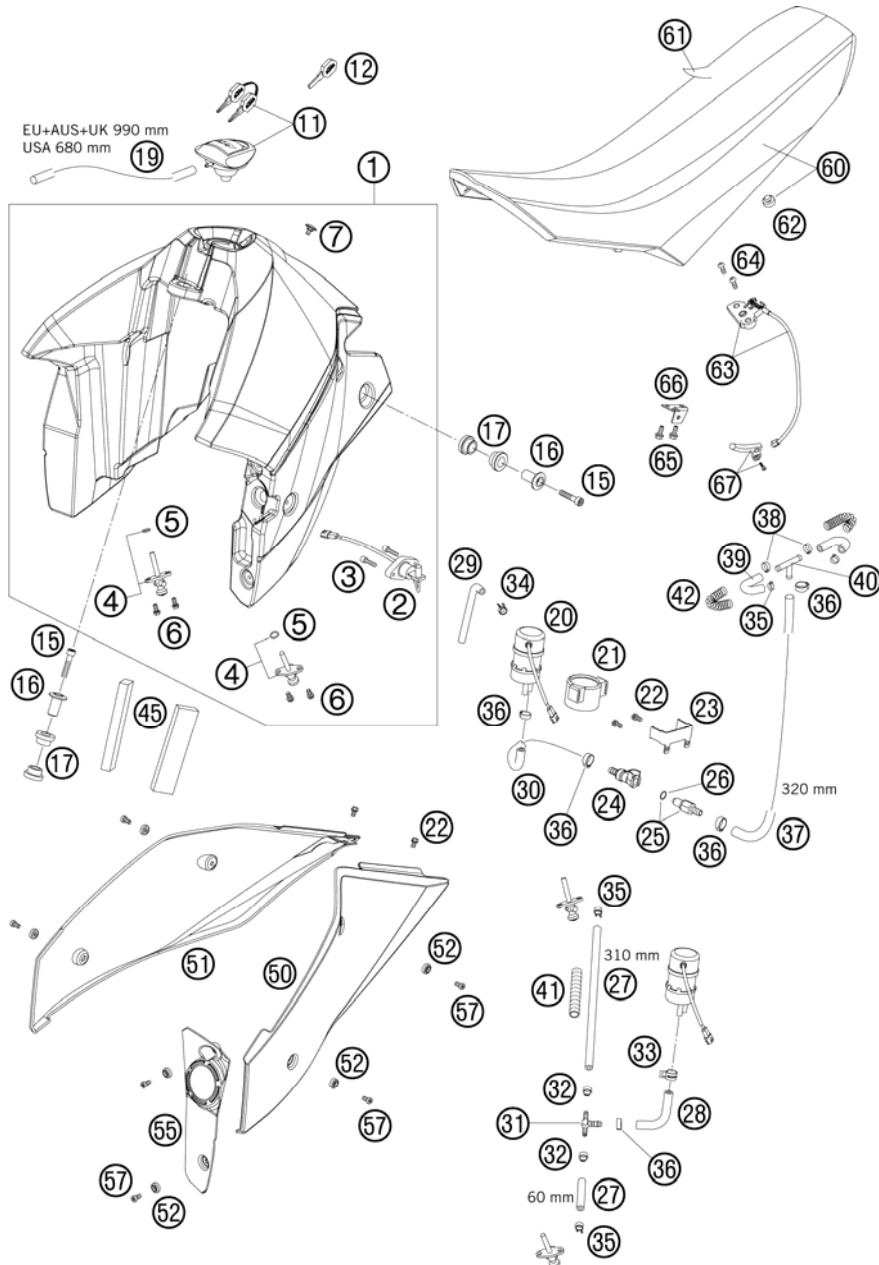
086250710 / C086250710

* NEW PART

X AS REQUIRED

TANK, SEAT, COVER

950 SUPERMOTO R EU 2008



| FIG | PART NUMBER | DESCRIPTION | QTY |
|-----|----------------|----------------------------------|-----|
| 45 | 62507033000 | FOAM 150X35X15 06 | 2 |
| 50 | 6300805000030A | SPOILER L/S BLACK 07 | 1 |
| | | WITH DECAL - OVER-PAINTED | |
| 51 | 6300805100030A | SPOILER R/S BLACK 07 | 1 |
| | | WITH DECAL - OVER-PAINTED | |
| 52 | 60008045000 | SPECIAL WASHER D=16,5MM 03 | 6 |
| 55 | 63008070000 | TANK COVER L/S 06 | 1 |
| 57 | 0012060123 | AH SCREW DIN6912 M6X12 6 | 6 |
| 60 | 6300704000004 | SEAT BLACK/ORANGE 06 | 1 |
| 61 | 6300704005004 | SEAT COVER BLACK/ORANGE 06 | 1 |
| 62 | 61007040010 | DISTANCE RUBBER SEAT 05 | 4 |
| 63 | 63007050044 | SEAT LOCK 06 | 1 |
| 64 | 0738060181 | COU.SUNK SCR. AH ISO7380 M6X18 2 | 2 |
| 65* | 0025050126 | HH COLLAR SCREW M5x12 TX30 2 | 2 |
| 66 | 63008053000 | BRACKET FOR SEAT LOCK 06 | 1 |
| 67 | 58607051000 | SEAT LOCK LEVER CPL. 05 | 1 |

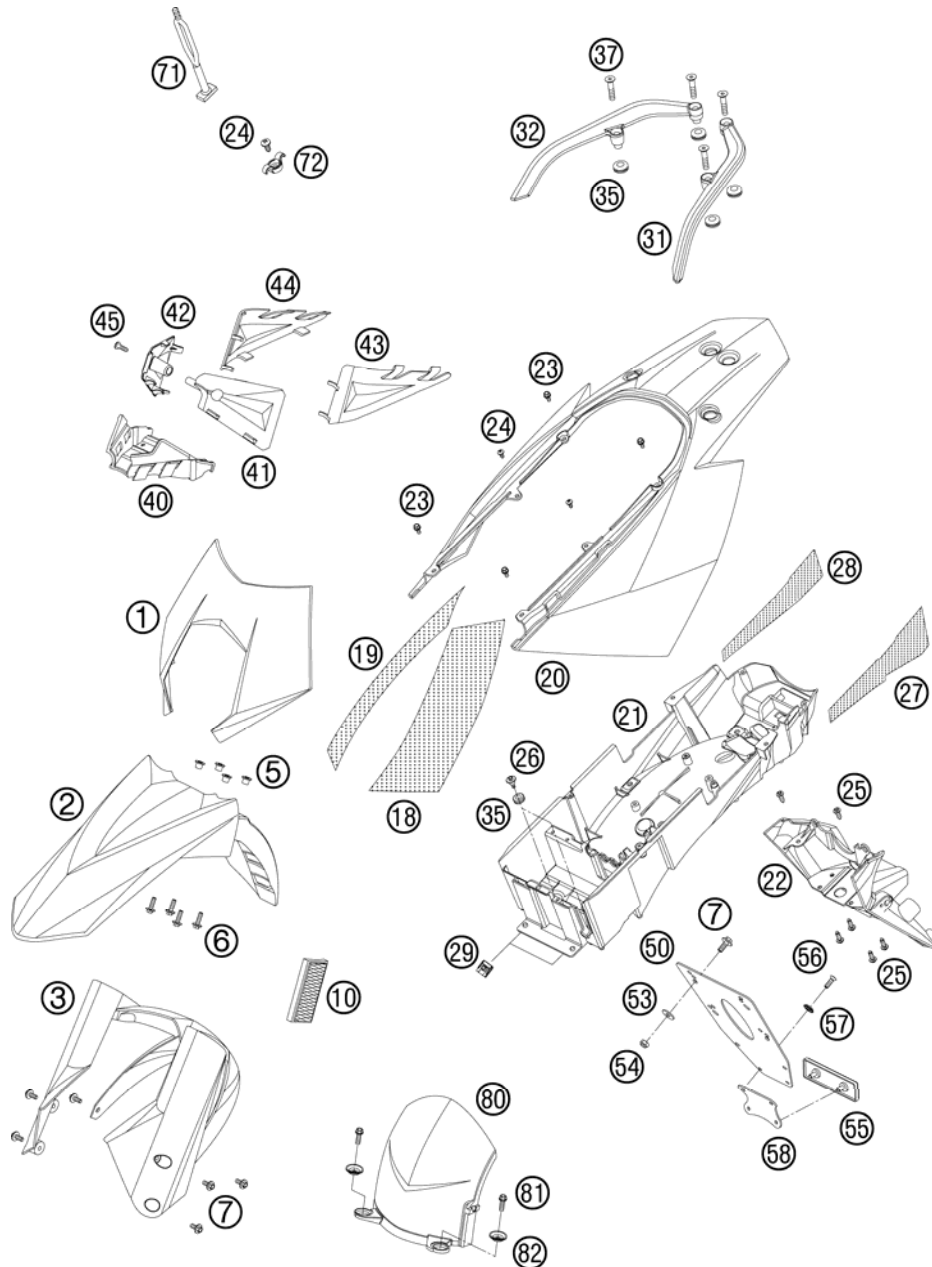
086250710 / C086250710

* NEW PART

X AS REQUIRED

MASK, FENDERS

950 SUPERMOTO R EU 2008



| FIG | PART NUMBER | DESCRIPTION | QTY |
|-----|----------------|---|-----|
| 1 | 5860800100033A | HEADLIGHT MASK BLACK MATT 07 | 1 |
| 2 | 6250801000033A | FENDER FRONT BLACK MATT 07 | 1 |
| 3 | 62501094000 | SPLASH PROTECT. 05 | 1 |
| 5 | 62508009000 | COLLAR BUSHING 7,2X10X15X8,5 | 4 |
| 6* | 0024060206 | HH COLLAR SCREW M6X20 TX30 | 4 |
| 7* | 0024060156 | HH COLLAR SCREW M6X15 TX30 | 10 |
| 10 | 60012080000 | SIDE REFLECTOR YELLOW 03 ONLY FOR USA+AUS+UK | x |
| 18 | 62508018150 | THERM. PROT.FOIL L/S ABOVE 07 | 1 |
| 19 | 62508018160 | THERM.PROT.FOIL R/S ABOVE 07 | 1 |
| 20 | 6250801800033A | REAR END TOP PART BLACK MA. 07 WITH DECAL - OVER-PAINTED | 1 |
| 21* | 62508019400 | REAR END LOWER PART 08 | 1 |
| 22 | 62508015000 | NUMB.Plate CARRIER 05 | 1 |
| 23* | 0025050126 | HH COLLAR SCREW M5x12 TX30 | 4 |
| 24 | 0016050121 | SCREW FOR PLASTIC 50X12 | 3 |
| 25 | 0017060203 | EJOT PT SCREW K60X20 WS=6 | 6 |
| 26 | 60035001000 | SCREW RADIATOR BRACKET M6 03 | 2 |
| 27 | 62508019250 | THERMAL PROTECTON FOIL L/S 07 | 1 |
| 28 | 62508019360 | THERMAL PROTECTON FOIL R/S 07 | 1 |
| 29 | 54603048100 | RANGE CHANGE METAL NUT M6 | 2 |
| 31 | 6301200800033S | HAND GRIP L/S 07 | 1 |
| 32 | 6301200900033S | HAND GRIP R/S 07 | 1 |
| 35 | 41001052000 | RUBBER SLEEVE D=12MM | 6 |
| 37 | 0991080403 | FLAT HEAD SCREW DIN7991-M 8X40 | 4 |
| 40 | 60003087000 | SPLASH PROTECTOR FRAME 05 | 1 |
| 41 | 62503085000 | COVER FRAME L/S FRONT 05 | 1 |
| 42 | 62503086000 | COVER FRAME R/S FRONT 05 | 1 |
| 43 | 62503083000 | COVER FRAME L/S REAR 05 | 1 |
| 44 | 62503084000 | COVER FRAME R/S REAR 05 | 1 |
| 45 | 0081500181 | SCREW FOR PLASTIC D=5X18 | 1 |
| 50 | 60012081200 | LICENCE FITTING 06 | 1 |
| 53 | 0021060003 | WASHER DIN9021-A 6,4 | 4 |
| 54 | 0985060003 | SELF LOCK. NUT DIN0985-M 6 | 4 |
| 55 | 58412080000 | REFLECTOR RED LC4 '98 | 1 |
| 56 | 0966050163 | OVAL HEAD SCREW DIN0966-M 5X16 | 2 |

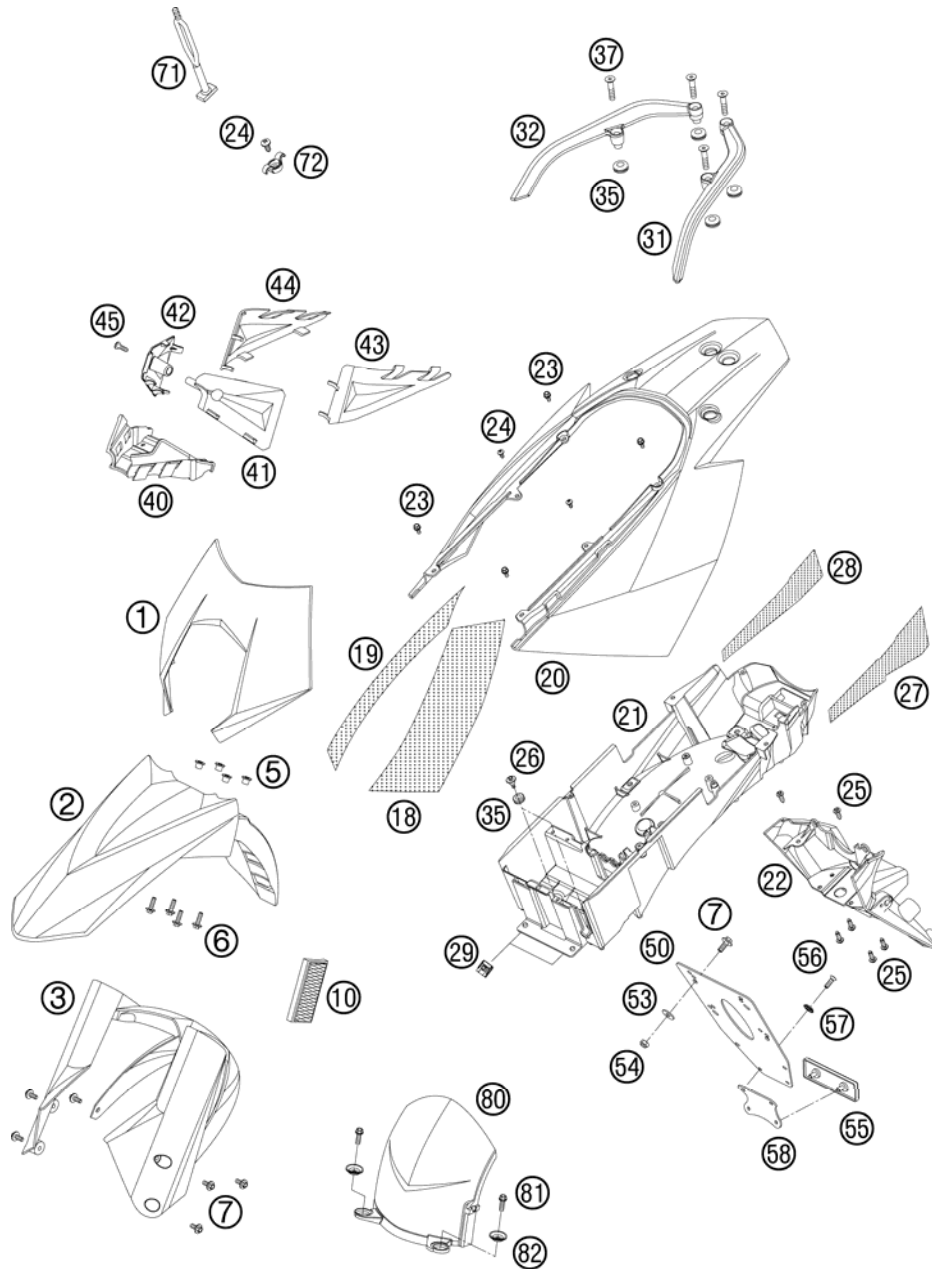
086250810 / C086250810

* NEW PART

X AS REQUIRED

MASK, FENDERS

950 SUPERMOTO R EU 2008



| FIG | PART NUMBER | DESCRIPTION | QTY |
|-----|-------------|------------------------------|-----|
| 57 | 40006006000 | WASHER 6MM | 2 |
| 58 | 58412080050 | BRACKET FOR REFLECTOR | 1 |
| 59 | 0125050003 | WASHER DIN0125-A 5,3 | 2 |
| 60 | 0985050003 | SELF LOCKING NUT DIN0985-M 5 | 2 |
| 71 | 50303018000 | RUBBER L=145MM | 1 |
| 72 | 62508021000 | SUPPORT TOOL SET 05 | 1 |
| 80 | 61008014000 | SPLASH PROTECT. 05 | 1 |
| 81* | 0025060166 | HH COLLAR SCREW M6X16 TX30 | 2 |
| 82 | 72210079000 | BUCKET | 2 |

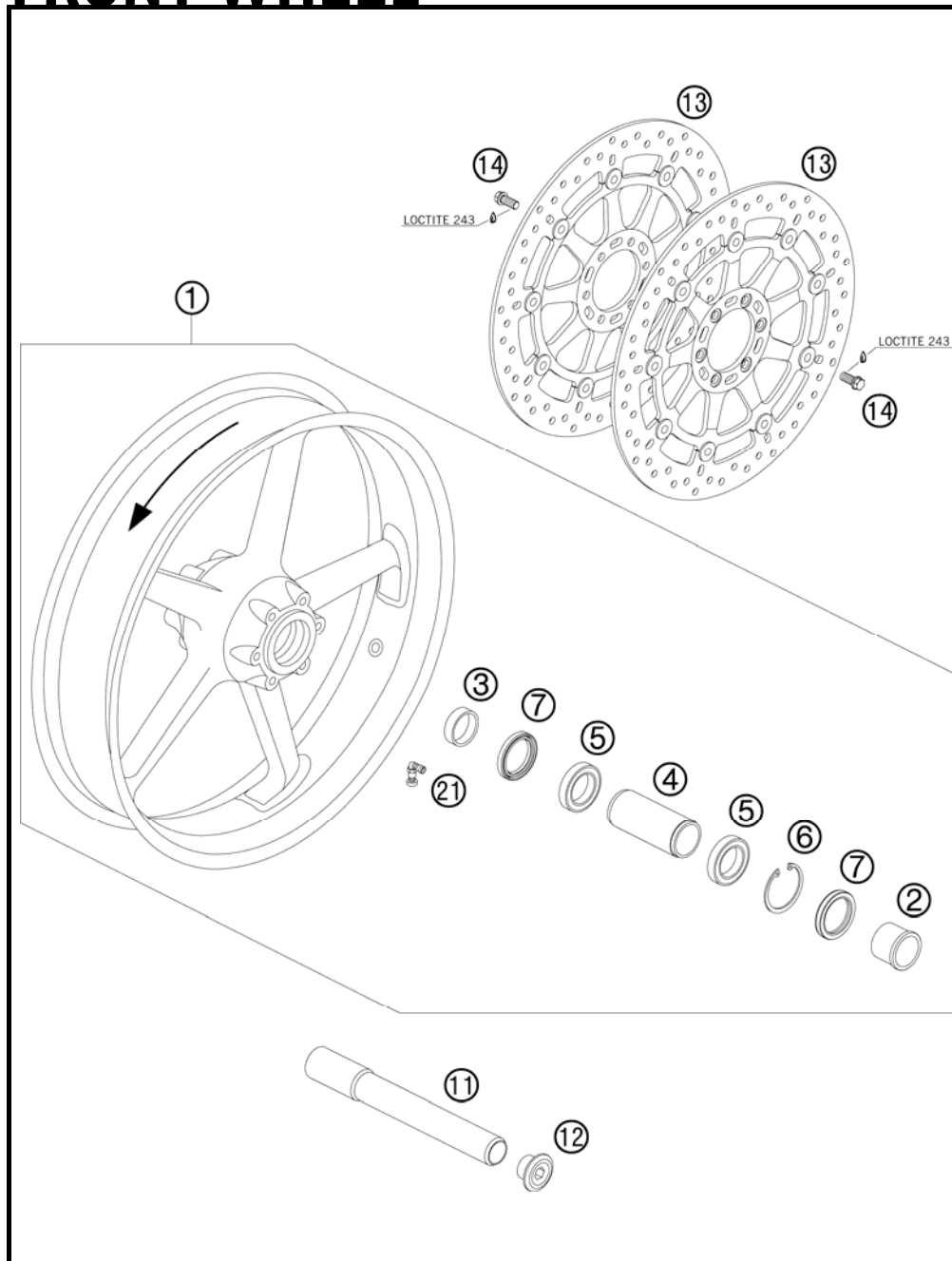
086250810 / C086250810

* NEW PART

X AS REQUIRED

FRONT WHEEL

950 SUPERMOTO R EU 2008



| FIG | PART NUMBER | DESCRIPTION | QTY |
|-----|---------------|--------------------------------|-----|
| 1 | 6100900104430 | FRONT WHEEL CPL. BLACK 07 | 1 |
| 2 | 61009012000 | SPACER BUSH. FR. WHEEL L/S 05 | 1 |
| 3 | 60009013000 | SPACER BUSH. FR. WHEEL R/S 03 | 1 |
| 4 | 61009011000 | BEARING SPACER TUBE FRONT 05 | 1 |
| 5 | 0625069068 | GR.BALL BEAR.6906 DDU2CG23S6NM | 2 |
| 6 | 0472048175 | LOCK RING DIN0472-48X1,75 | 1 |
| 7 | 0760354771 | SHAFT SEAL RING 35X47X7 TC | 2 |
| 11 | 61009081000 | WHEEL SPINDEL FRONT 05 | 1 |
| 12 | 61009082000 | AH SCREW M25X1,5 WS=12 05 | 1 |
| 13 | 6250906000030 | BRAKE DISK D=305MM 07 | 2 |
| 14 | 61009062018 | SPECIAL SCREW M8X18 05 | 12 |
| 21 | 61009076000 | VALVE ANGLED 90° 05 | 1 |

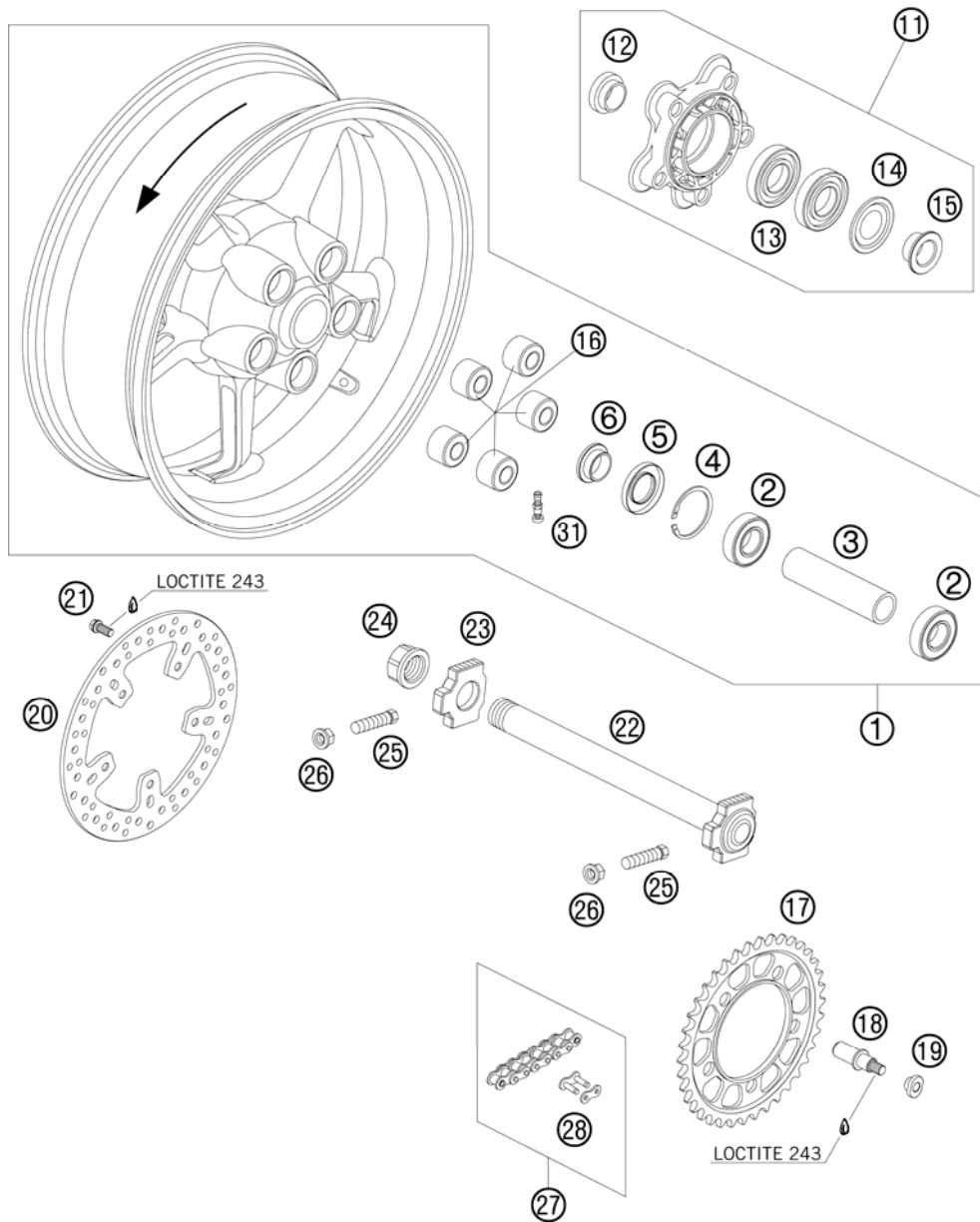
086250910 / C086250910

* NEW PART

X AS REQUIRED

REAR WHEEL

950 SUPERMOTO R EU 2008



| FIG | PART NUMBER | DESCRIPTION | QTY |
|-----|---------------|--------------------------------|-----|
| 1 | 6101000104430 | REAR WHEEL CPL. BLACK 07 | 1 |
| 2 | 0625062052 | GR.BALL BEAR. 6205-2RSHC3HMTF7 | 2 |
| 3 | 61010011000 | BEARING SPACER TUBE REAR 05 | 1 |
| 4 | 0472052200 | CIRCLIP DIN0472-52X2 | 1 |
| 5 | 0760305271 | SHAFT SEAL RING 30X52X7 | 1 |
| 6 | 60010013000 | SPACER BUSH. REAR WHEEL R/S 03 | 1 |
| 11 | 61010050144 | SPROCKET SUPPORT CPL. 06 | 1 |
| 12 | 60110014000 | SPACER BUSH. SPR. SUPP. IN. 06 | 1 |
| 13 | 0625060060 | BALL BEARING 6006 DDU2CG23S6NM | 2 |
| 14 | 60110016000 | NILOS RING 6006AV | 1 |
| 15 | 60110012000 | SPACER BUSH. SPROCKET SUPP. 06 | 1 |
| 16 | 61010059000 | DAMPING RUBBER 05 | 5 |
| 17 | 61010051138 | REAR SPROCKET 38-T STEEL 05 | x |
| 17 | 61010051139 | REAR SPROCKET 39-T STEEL 05 | x |
| 17 | 61010051140 | REAR SPROCKET 40-T STEEL 05 | x |
| 17 | 61010051141 | REAR SPROCKET 41-T STEEL 05 | 1 |
| 17 | 61010051142 | REAR SPROCKET 42-T STEEL 05 | x |
| 18 | 61010056000 | BOLT FOR SPROCKET SUPPORT 05 | 5 |
| 19 | 61010057000 | NUT REAR SPROCKET 05 | 5 |
| 20 | 61010060000 | BRAKE DISK REAR D=240MM 05 | 1 |
| 21 | 61009062018 | SPECIAL SCREW M8X18 05 | 5 |
| 22 | 60010081044 | WHEEL SPINDLE REAR CPL. 03 | 1 |
| 23 | 60010084000 | CHAIN TENSIONER R/S LC8 03 | 1 |
| 24 | 61010086000 | COLLAR NUT M25X1,5 WS=32 05 | 1 |
| 25 | 50304040100 | SCREW M10X1,25X50 WS=10 | 2 |
| 26 | 58414030000 | HH COLLAR NUT M10X1,25 WS=13 | 2 |
| 27 | 60010265112 | CHAIN 525 5/8X5/16 112 R 07 | 1 |
| 28 | 60010066000 | CUT TO 112 CHAIN LINKS | x |
| 28 | 60010066000 | MASTER LINK FOR CHAIN 525 03 | 1 |
| 31 | 58709076000 | NEEDS RIVET TOOL | 1 |
| 31 | 58709076000 | VALVE CPL. BREMBO DUKE 2003 | 1 |

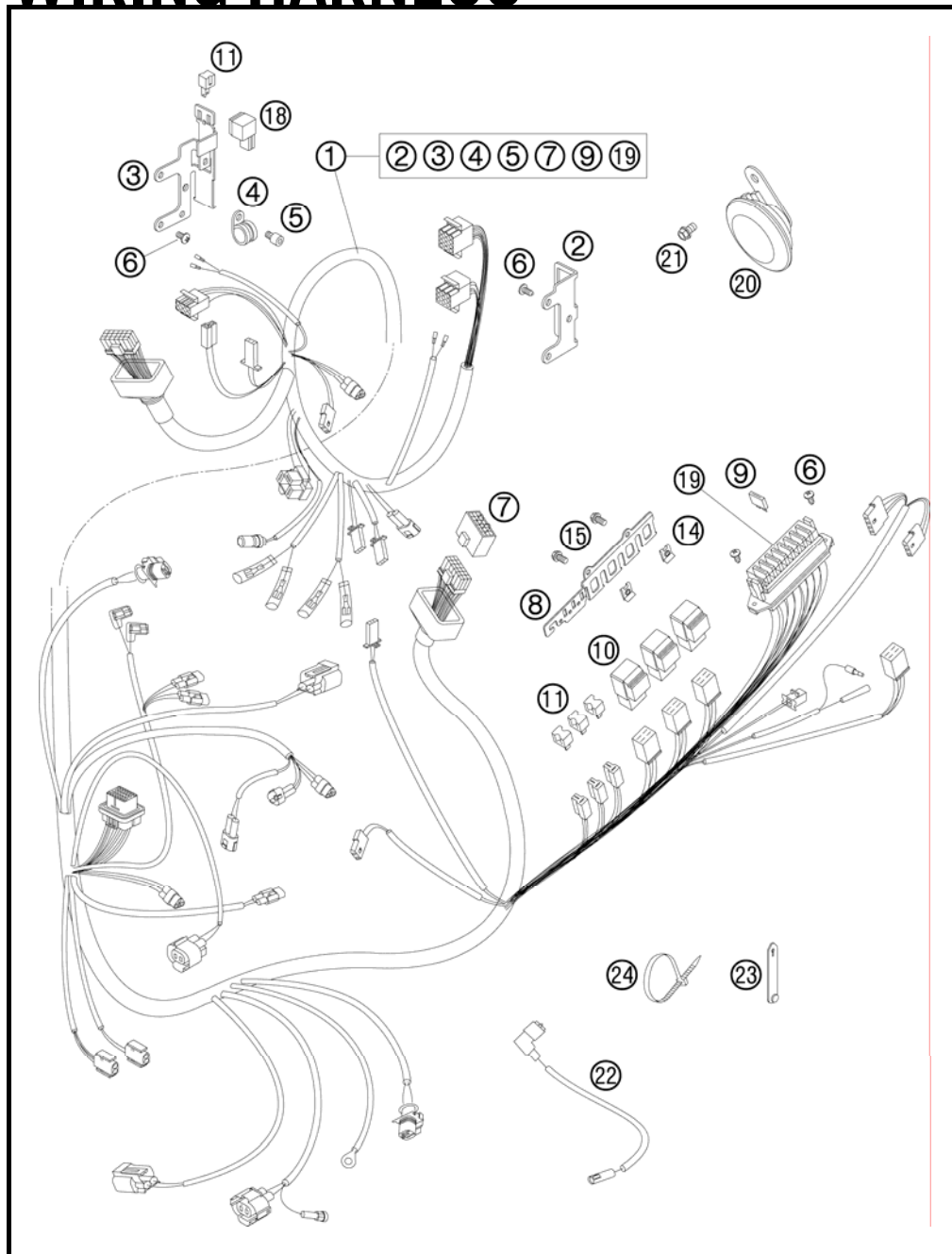
086251010 / C086251010

* NEW PART

X AS REQUIRED

WIRING HARNESS

950 SUPERMOTO R EU 2008



| FIG | PART NUMBER | DESCRIPTION | QTY |
|-----|-------------|-------------------------------|-----|
| 1 | 62511075100 | MAIN WIRING HARNESS 950 SM 07 | 1 |
| 2 | 58611083000 | SUPPORT BRACKET L/S 05 | 1 |
| 3 | 58611183000 | SUPPORT BRACKET R/S 05 | 1 |
| 4 | 49007439000 | CLAMP RSGU 15/12 | 1 |
| 5 | 0912050103 | AH SCREW DIN0912-M 5X10 | 1 |
| 6 | 0016050121 | SCREW FOR PLASTIC 50X12 | 8 |
| 7 | 61011075020 | DUMMY PLUG ALARM SYSTEM 05 | 1 |
| 8 | 62511057050 | BRACKET RELAY 05 | 1 |
| 9 | 58011109110 | FUSE 10 A 2000 | x |
| 9 | 58011109115 | FUSE 15 A | x |
| 10 | 58411057000 | STARTER RELAY '96 | 3 |
| 11 | 58411096100 | DIODE S3H-15 97 | 4 |
| 14 | 54603048200 | RANGE CHANGE METAL NUT M5 | 2 |
| 15* | 0025050126 | HH COLLAR SCREW M5x12 TX30 | 2 |
| 18 | 44611207200 | FLASHER UNIT 97 | 1 |
| 19 | 58511075510 | FUSE-BOX COVER | 1 |
| 20 | 62511060000 | DC HORN 05 | 1 |
| 21* | 0024060106 | HH COLLAR SCREW M6X10 TX30 | 1 |
| 22 | 60011092000 | OIL-PRESSURE SWITCH CABLE 03 | 1 |
| 23 | 60011093045 | RUBBER CABLE TIE 45MM 03 | x |
| 23 | 60011093075 | RUBBER CABLE TIE 75MM 03 | x |
| 24 | 44011076100 | CABLE TIE 100/2,5MM BLACK | x |
| 24 | 44011076200 | CABLE TIE 200/3,6MM BLACK | x |

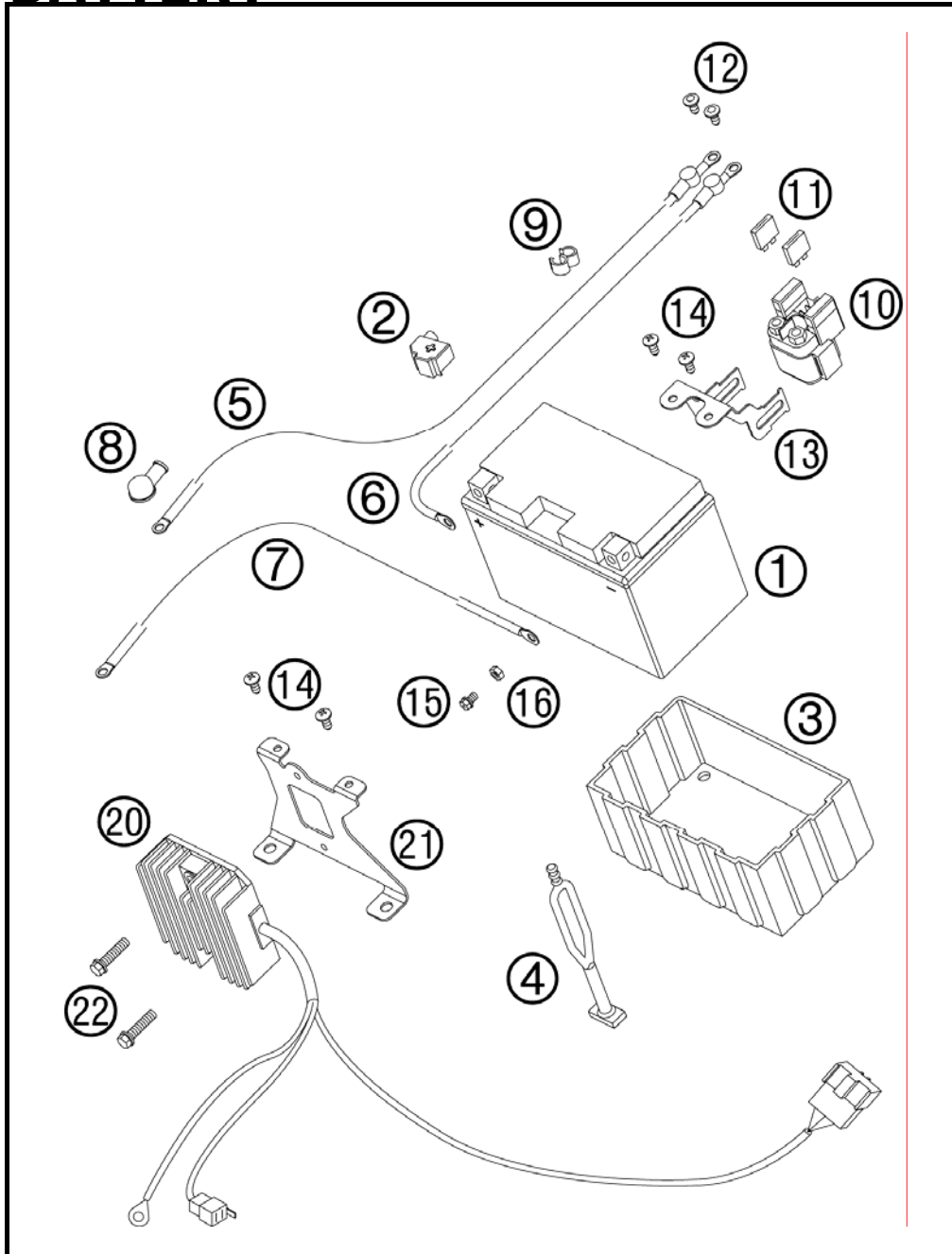
086251110 / C086251110

* NEW PART

X AS REQUIRED

BATTERY

950 SUPERMOTO R EU 2008



| FIG | PART NUMBER | DESCRIPTION | QTY |
|-----|-------------|------------------------------|-----|
| 1 | 60011053000 | BATTERY 12V/11AH | 03 |
| 3 | 58411053050 | BATTERY COVER | 96 |
| 4 | 50303018000 | RUBBER L=145MM | 1 |
| 5 | 62511059000 | STARTER CABLE L=650MM | 05 |
| 6 | 62511059050 | BATTERY CABLE L=125MM | 05 |
| 7 | 62511097000 | GROUND CABLE L=650MM | 05 |
| 8 | 60040009000 | RUBBER CAP STARTER PORT | 03 |
| 9 | 55011022100 | CLAMP D=6/8MM, BLACK | 1 |
| 10 | 58211058000 | STARTER RELAY 12V '99 | 1 |
| 11 | 58011109130 | FUSE 30 A | x |
| 12 | 0902060083 | AH OVAL SCREW ISO 7380 M 6X8 | 2 |
| 13 | 62511058050 | BRACKET START RELAY | 05 |
| 14 | 0016050121 | SCREW FOR PLASTIC 50X12 | 4 |
| 15* | 0024060106 | HH COLLAR SCREW M6X10 TX30 | 2 |
| 16 | 0934060003 | HEXAGON NUT DIN0934-M 6 | 2 |
| 20* | 62511034100 | VOLTAGE REGULATOR | 1 |
| 21 | 62511037000 | BRACKET VOLTAGE REGULATOR | 05 |
| 22* | 0024060256 | HH COLLAR SCREW M6X25 TX30 | 2 |

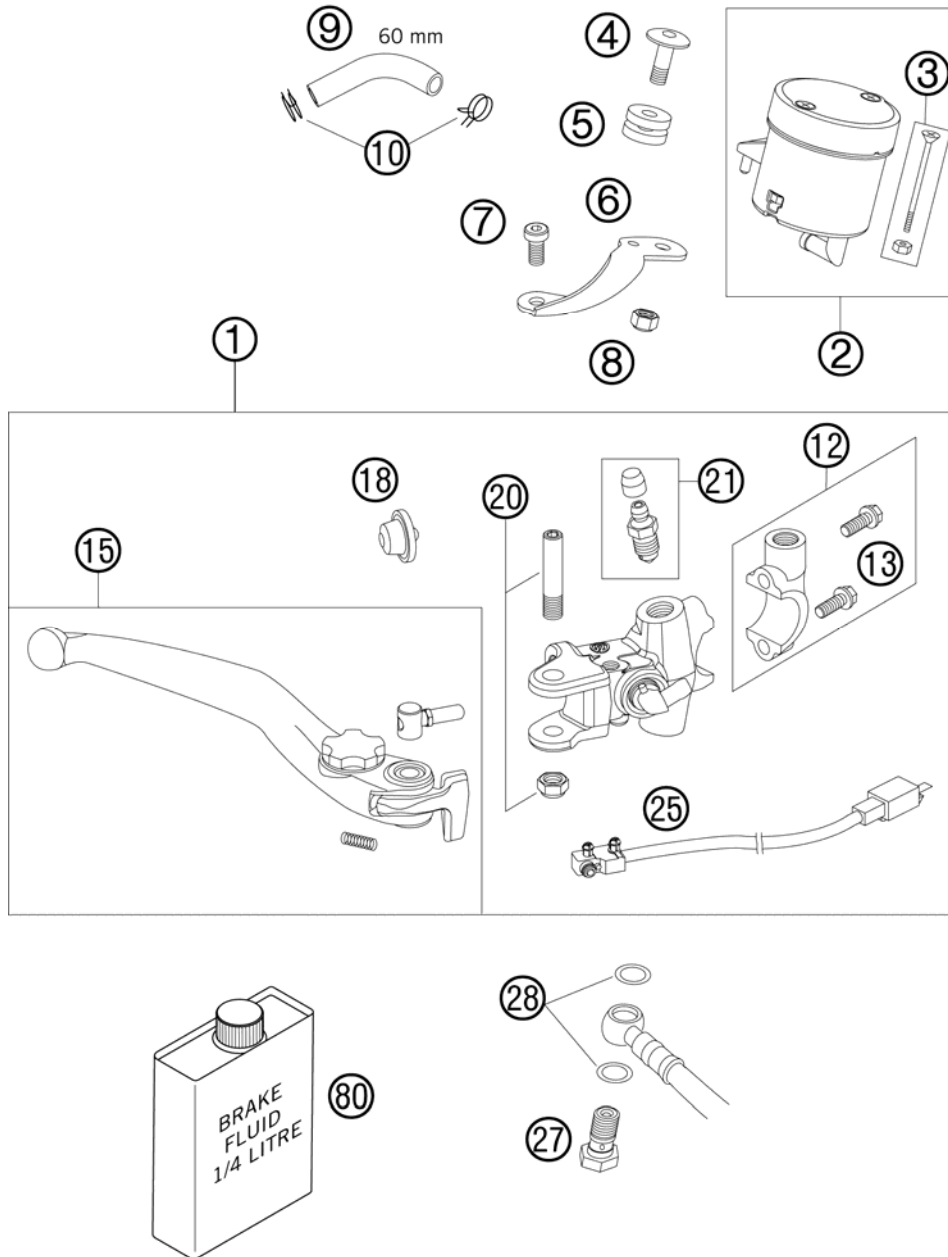
086251130 / C086251130

* NEW PART

X AS REQUIRED

HAND BREAK CYLINDER

950 SUPERMOTO R EU 2008



| FIG | PART NUMBER | DESCRIPTION | QTY |
|-----|-------------|--------------------------------|-----|
| 1 | 62513001100 | HAND BRAKE CYLINDER 07 | 1 |
| 2 | 61013009002 | BRAKE FLUID RESERVOIR CPL. | 1 |
| 3 | 61013009003 | SCREW + NUT FOR RESERVOIR | 2 |
| 4 | 61013013050 | SCREW RET.PANEL-RESERVOIR | 1 |
| 5 | 61013013000 | RUBBER BUSH 05 | 1 |
| 6 | 61013009001 | RET.PANEL FLUID RES. FRONT 05 | 1 |
| 7 | 61013021000 | SCREW RET.PANEL-BRAKE CYLINDER | 1 |
| 8 | 61013009004 | NUT FOR RESERVOIR | 1 |
| 9 | 58007016101 | HOSE FOR RESERVOIR 6X1,5 | 1 |
| 10 | 58007017000 | YDNAC CLAMP 10101 (9MM) | 2 |
| 12 | 61013005000 | CLAMP CPL. 05 | 1 |
| 13* | 0025060256 | HH COLLAR SCREW M6X25 TX30 | 2 |
| 15 | 62513002144 | HAND BRAKE LEVER CPL. 07 | 1 |
| 18 | 61013008000 | RUBBER CUP 05 | 1 |
| 20 | 61013006000 | LEVER SCREW CPL. 05 | 1 |
| 21 | 60013020000 | BLEEDER SCREW WITH CAP | 1 |
| 25 | 61011050000 | BRAKE LIGHT SWITCH FRONT 05 | 1 |
| 27 | 54813020100 | HOLLOW SCREW BLACK M10X1X19 | 1 |
| 28 | 0603100141 | COPPER GASKET DIN7603-10X14X1 | 2 |
| 80 | 00062030000 | BRAKE FLUID DOT5.1 0,25L | 1 |

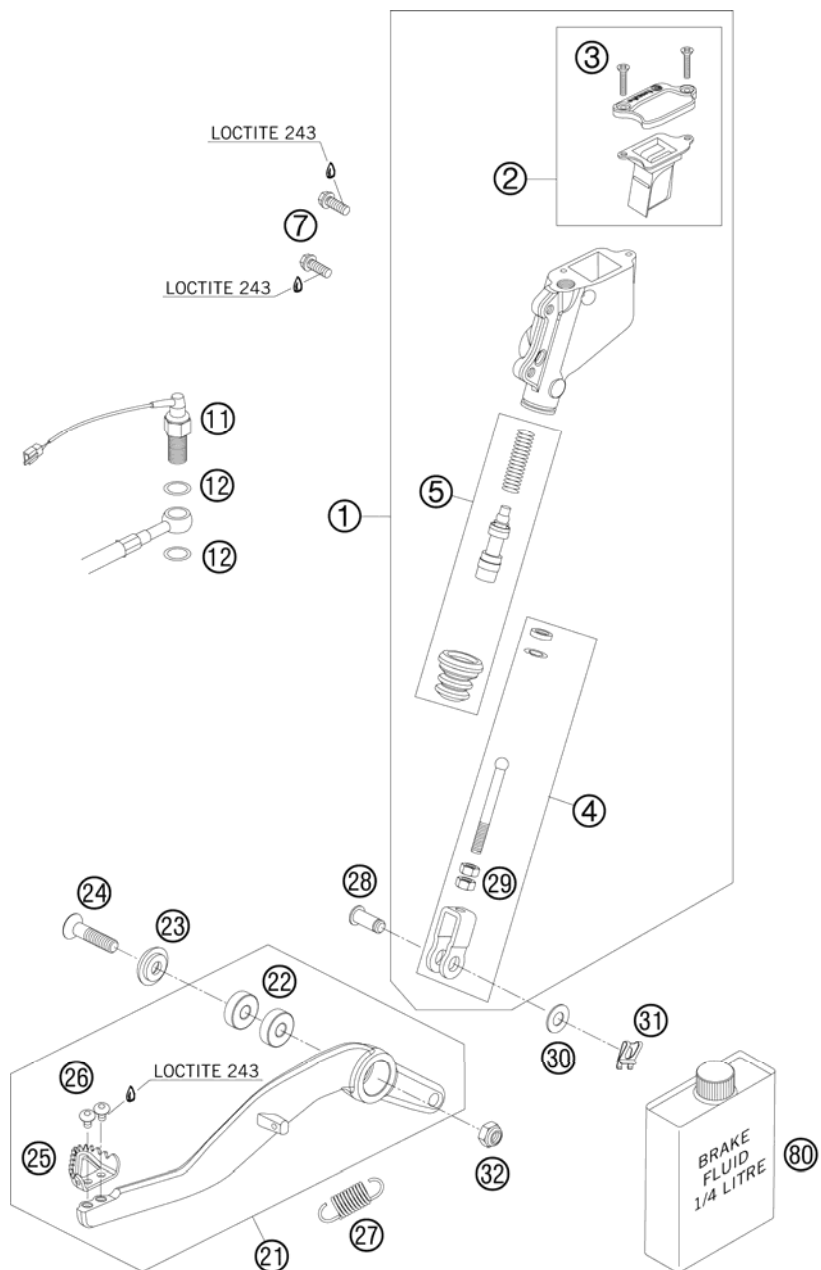
086251310 / C086251310

* NEW PART

X AS REQUIRED

REAR BRAKE CONTROL

950 SUPERMOTO R EU 2008



| FIG | PART NUMBER | DESCRIPTION | QTY |
|-----|----------------|--------------------------------|-----|
| 1 | 60013060200 | MAIN BRAKE CYLINDER CPL. '07 | 1 |
| 2 | 60013059100 | COVER MAIN BRAKE CYLINDER CPL. | 1 |
| 3 | 0965040161 | FLAT HEAD SCREW DIN0965-M 4X16 | 2 |
| 4 | 60013056044 | PUSH ROD CPL. '03 | 1 |
| 5 | 60013061000 | REPAIR KIT PISTON '03 | 1 |
| 7 | 59009062016 | SPECIAL SCREW M6X16 WS=8 10.9 | 2 |
| 11 | 50311051100 | BRAKE LIGHT SWITCH REAR '98 | 1 |
| 12 | 0603100141 | COPPER GASKET DIN7603-10X14X1 | 2 |
| 21 | 6251305004401S | FOOT BRAKE LEVER CPL. '07 | 1 |
| 22 | 0625006087 | GROOVED BALL BEAR. 608 2RS C3 | 2 |
| 23 | 60003061000 | SPECIAL WASHER ALU 8X24MM '03 | 1 |
| 24 | 0991080353 | FLAT HEAD SCREW DIN7991-M 8X35 | 1 |
| 25 | 54813051100 | STEP PLATE FOR BRAKE LEVER | 1 |
| 26 | 58605083010 | SCREW TORX M5X10 '05 | 2 |
| 27 | 54603062000 | RETURN SPRING FOR BRAKE LEVER | 1 |
| 28 | 60013057000 | BOLT F. LINK FORK 8X20X16,5 | 1 |
| 29 | 0934060003 | HEXAGON NUT DIN0934-M 6 | 2 |
| 30 | 0125080003 | WASHER DIN0125-A 8,4 | 1 |
| 31 | 60013058000 | SECURING CLIP D=8MM '03 | 1 |
| 32 | 0985080003 | SELF LOCKING NUT DIN0985-M 8 | 1 |
| 80 | 00062030000 | BRAKE FLUID DOT5.1 0,25L | 1 |

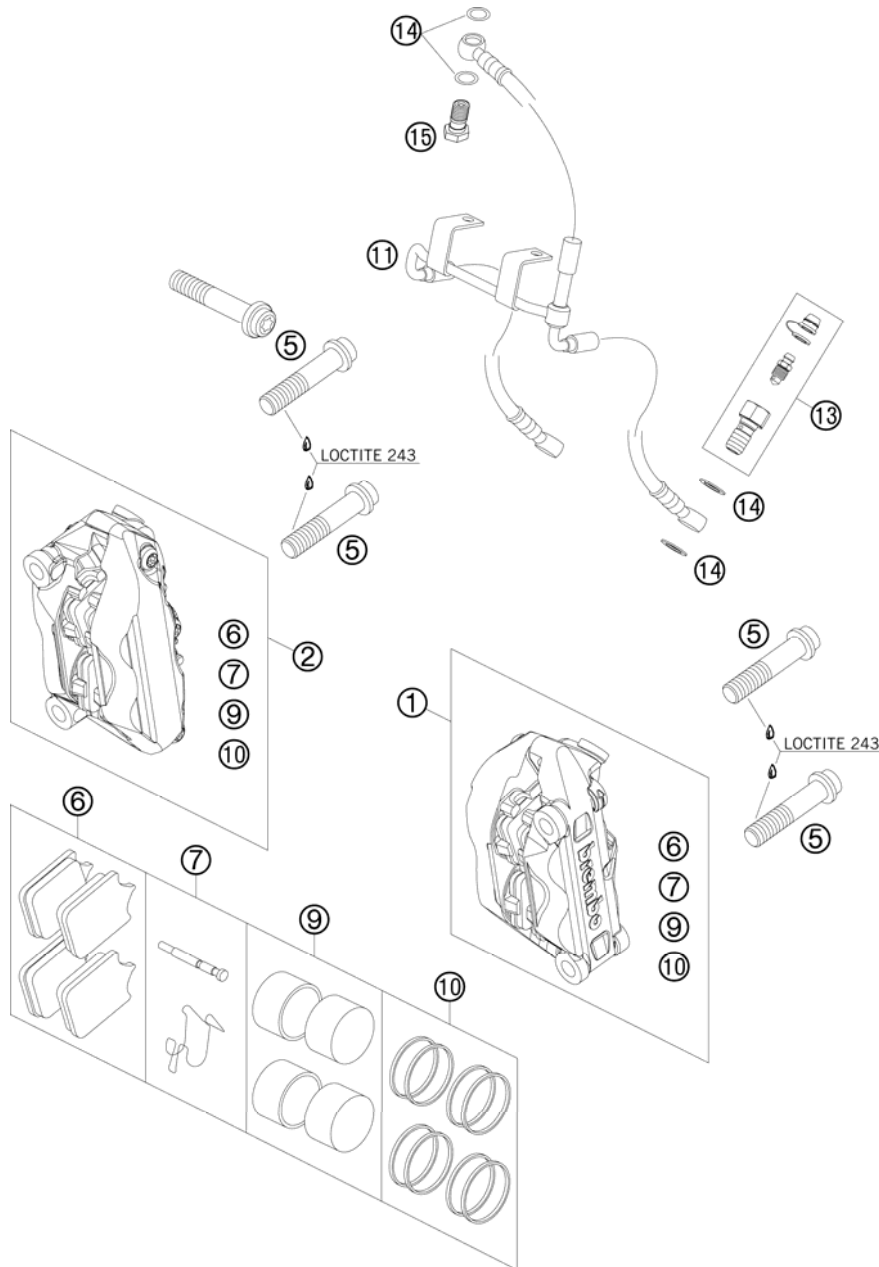
086251330 / C086251330

* NEW PART

X AS REQUIRED

BREAKE CALIPER FRONT

950 SUPERMOTO R EU 2008



| FIG | PART NUMBER | DESCRIPTION | QTY |
|-----|---------------|--------------------------------|-----|
| 1* | 6251311500030 | BRAKE CALIPER RAD. L/S BLACK07 | 1 |
| 2* | 6251311600030 | BRAKE CALIPER RAD. R/S BLACK07 | 1 |
| 5 | 0035100559 | AH-COLLAR SCREW M10X1,25X55 | 4 |
| 6 | 61013030000 | BRAKE PAD FR. TOSHIBA TT2172HH | 2 |
| 7 | 61013018000 | BOLT AND SPRING F. BR.CALIPER | 2 |
| 9 | 61013019000 | BRAKE PISTONS 4X | 2 |
| 10 | 61013019100 | REP.KIT SEALING RINGS 4X | 2 |
| 11 | 6251301200030 | BRAKE HOSE FRONT CPL. 07 | 1 |
| 13 | 62513020000 | BLEEDER SCREW CPL. 05 | 2 |
| 14 | 0603100141 | COPPER GASKET DIN7603-10X14X1 | 6 |
| 15 | 50213025000 | HOLLOW SCREW M10X1X19 | 1 |

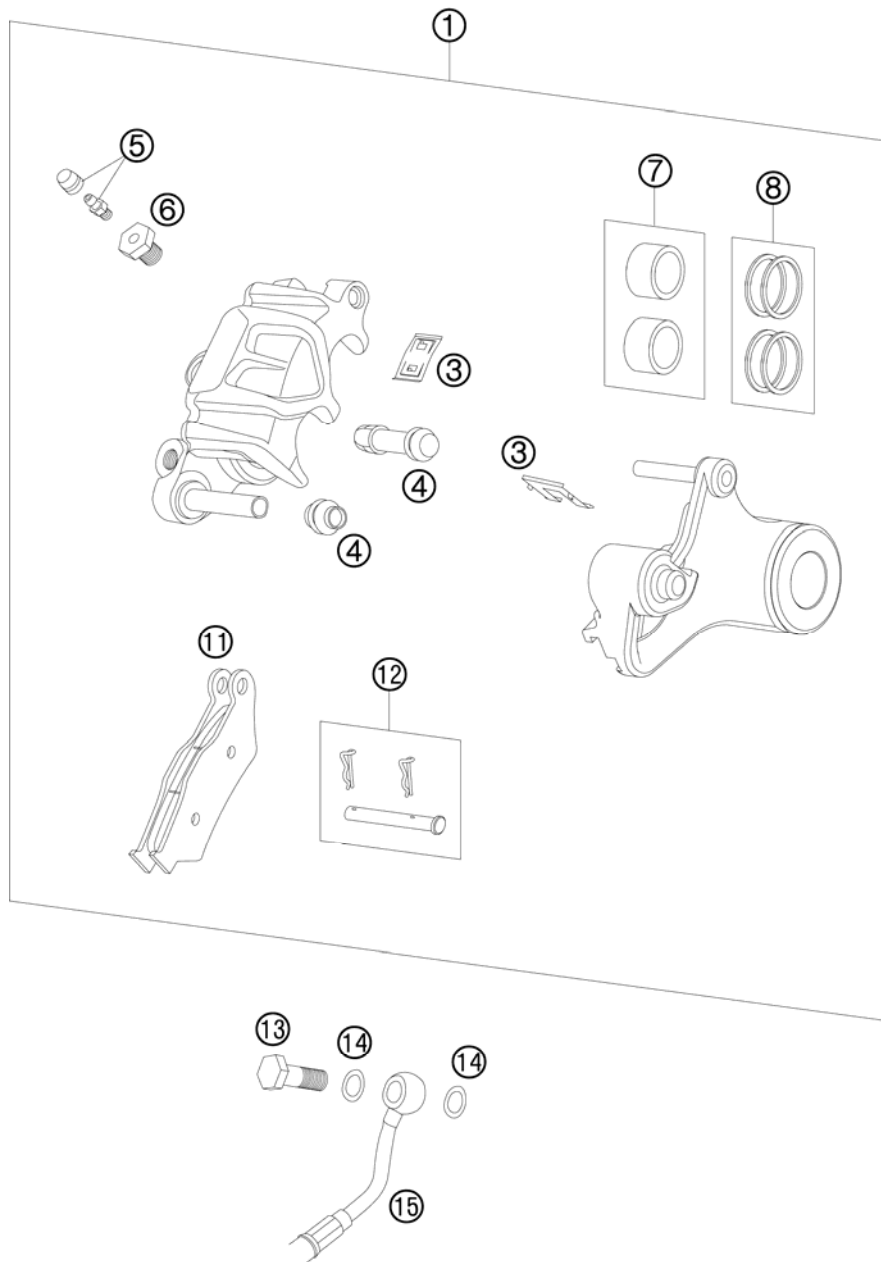
086251360 / C086251360

* NEW PART

X AS REQUIRED

BREAKE CALIPER REAR

950 SUPERMOTO R EU 2008



| FIG | PART NUMBER | DESCRIPTION | QTY |
|-----|---------------|--------------------------------|-----|
| 1 | 6001308000030 | BRAKE CALIPER REAR BLACK 07 | 1 |
| 3 | 60013018100 | RETAINING PLATE SET REAR 03 | 1 |
| 4 | 54613218000 | CUP SET SHORT | 1 |
| 5 | 60013020200 | BLEEDER SCREW WITH CAP M6 | 1 |
| 6 | 60013020100 | ADAPTER SCREW | 1 |
| 7 | 60013083200 | BRAKE PISTONS 05 | 1 |
| 8 | 60013081000 | REP.KIT SEALINING RINGS | 1 |
| 11 | 50313030200 | BRAKEP.SET FR.TOSHIBA TT2701HH | 1 |
| 12 | 60013017200 | BOLT SET | 1 |
| 13 | 54813020100 | HOLLOW SCREW BLACK M10X1X19 | 1 |
| 14 | 0603100141 | COPPER GASKET DIN7603-10X14X1 | 2 |
| 15 | 6251307200030 | BRAKE HOSE REAR 07 | 1 |

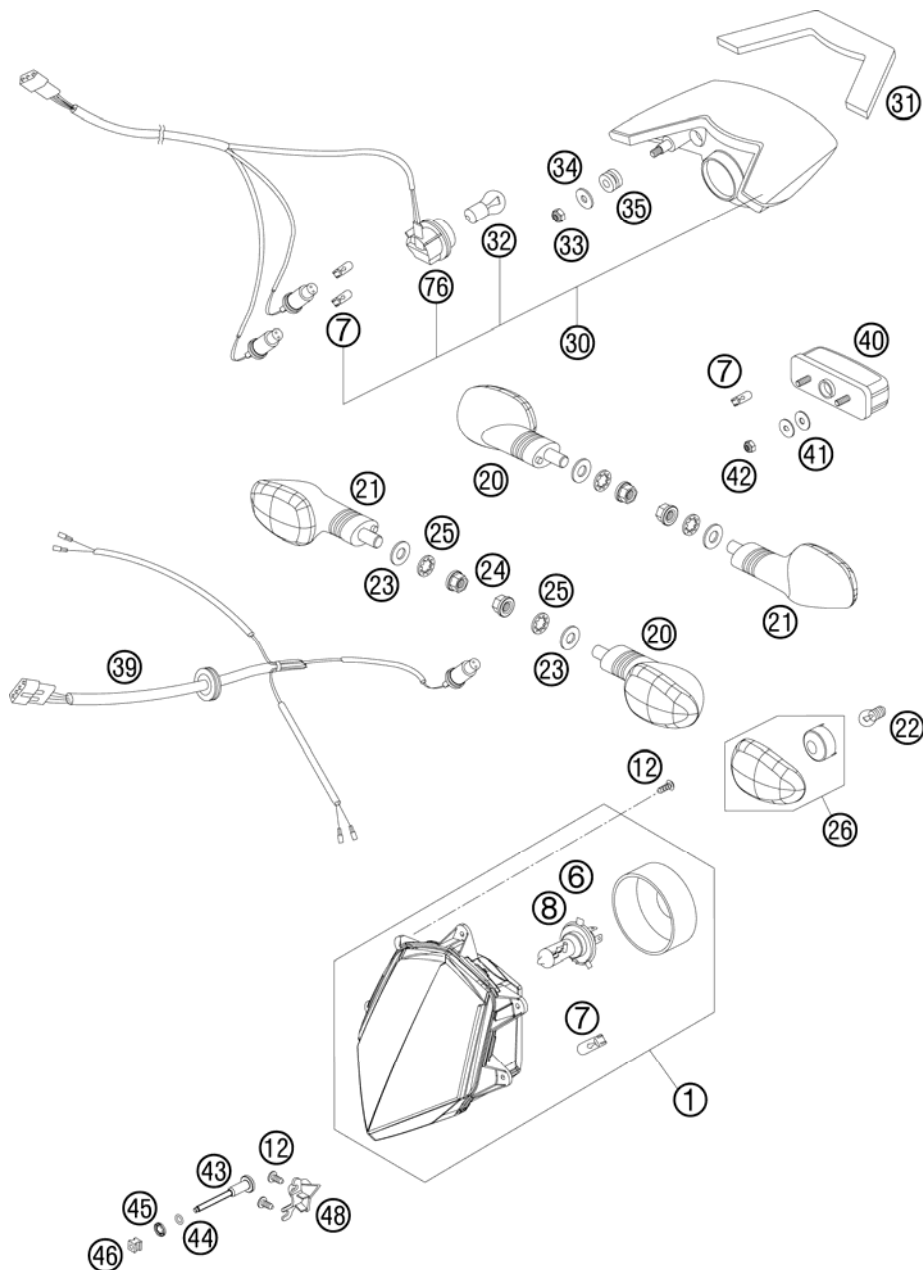
086251390 / C086251390

* NEW PART

X AS REQUIRED

LIGHTNING SYSTEM

950 SUPERMOTO R EU 2008



| FIG | PART NUMBER | DESCRIPTION | QTY |
|-----|-------------|--------------------------------|-----|
| 1 | 58614001000 | HEAD LIGHT RIGHT TR. 05 | 1 |
| 6 | 58614001050 | RUBBER CAP FOR HEAD LIGHT 05 | 1 |
| 7 | 49011435100 | BULB 12V 5W (W2,1X9,5D) PHIL. | 4 |
| 8 | 57111038000 | BULB H4 12V 60/55W (P43T) | 1 |
| 12 | 0016050121 | SCREW FOR PLASTIC 50X12 | 7 |
| 20 | 58414025100 | FLASHER CPL.FRONT L/S REAR R/S | 2 |
| 21 | 58414026100 | FLASHER CPL.FRONT R/S REAR L/S | 2 |
| 22 | 44111015100 | BULB 12V 10W (BA15S) | 4 |
| 23 | 0125100003 | WASHER DIN0125-A10,5 | 4 |
| 24 | 58414030000 | HH COLLAR NUT M10X1,25 WS=13 | 4 |
| 25 | 0797100003 | LOCK WASHER DIN6797-J10,5 ZI | 4 |
| 26 | 58414028100 | FLASHER LENS L/S & R/S 02 | 4 |
| 30 | 58614040044 | REAR LIGHT CPL. RED 05 | 1 |
| 31 | 58614040050 | METAMOLL FOR HEAD LIGHT 05 | 1 |
| 32 | 60014048000 | BULB 12V 21W | 1 |
| 33 | 0985060003 | SELF LOCK. NUT DIN0985-M 6 | 2 |
| 34 | 0021060003 | WASHER DIN9021-A 6,4 | 2 |
| 35 | 58214069051 | RUBBER GROMMET 16X10,8X3 02 | 4 |
| 39 | 62511076000 | WIRING HARNESS REAR 05 | 1 |
| 40 | 58414047000 | LICENSE-PLATE ILLUMINATION '98 | 1 |
| 41 | 0021050003 | WASHER DIN9021-A 5,3 | 4 |
| 42 | 0985050003 | SELF LOCKING NUT DIN0985-M 5 | 2 |
| 43 | 58614021100 | ADJ. SCREW HEAD LIGHT 06 | 1 |
| 44 | 0770080020 | O-RING 8X2 SILICONE | 1 |
| 45 | 58614024000 | CLAMPRING F. HEAD LIGHT ADJ. | 1 |
| 46 | 58614018000 | ADJUSTINGNUT F. HEAD L. ADJ.05 | 1 |
| 48 | 62514063050 | TAB HEAD LIGHT ADJ. 05 | 1 |
| 76 | 58611076100 | CABLE HARNESS REAR PART 05 | 1 |

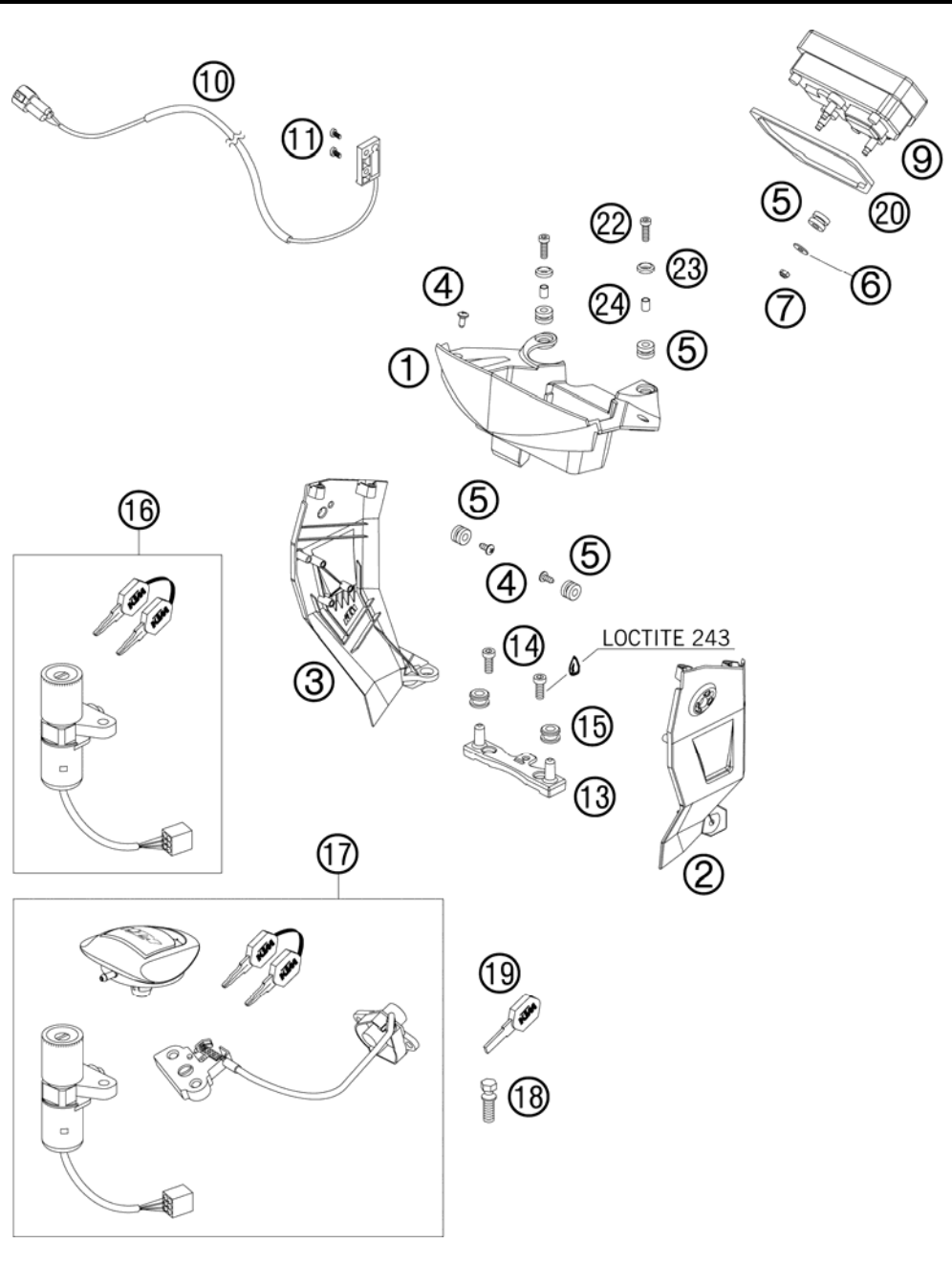
086251411 / C086251410

* NEW PART

X AS REQUIRED

SPEEDOMETER

950 SUPERMOTO R EU 2008



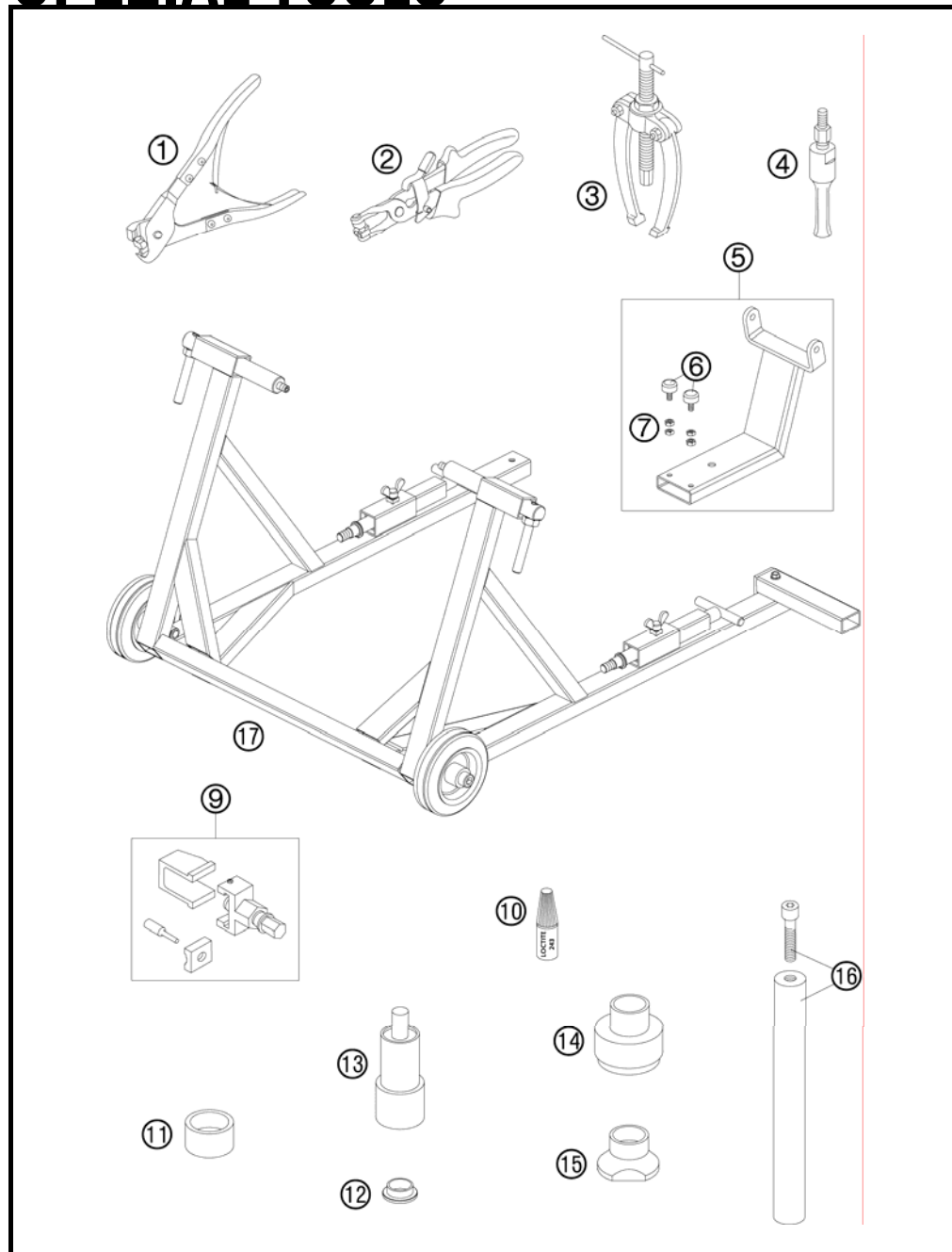
| FIG | PART NUMBER | DESCRIPTION | QTY |
|-----|-------------|--------------------------------|-----|
| 1 | 62514061000 | SPEEDOMETER BRACKET 05 | 1 |
| 2 | 62514062000 | MASK BRACKET L/S 05 | 1 |
| 3 | 62514063000 | MASK BRACKET R/S 05 | 1 |
| 4 | 0016050121 | SCREW FOR PLASTIC 50X12 | 6 |
| 5 | 58214069051 | RUBBER GROMMET 16X10,8X3 02 | 7 |
| 6 | 0021050003 | WASHER DIN9021-A 5,3 | 3 |
| 7 | 0985050003 | SELF LOCKING NUT DIN0985-M 5 | 3 |
| 9 | 61014069000 | DIGITAL SPEEDOMETER 05 | 1 |
| 10 | 62514068100 | SPEEDOMETER SENSOR 06 | 1 |
| 11 | 0084040083 | CYL.HEAD SCREW DIN0084-M 4X8 A | 2 |
| 13 | 62514064000 | MASK SUPPORT BOTTOM 05 | 1 |
| 14 | 0984060163 | AH SCREW DIN6912-M 6X16 | 2 |
| 15 | 60039030000 | VIBRATION DAMPER DIGITALBOX 03 | 2 |
| 16 | 58411066100 | IGNITION LOCK 99 | 1 |
| 17 | 62511066044 | LOCK SYSTEM 05 | 1 |
| 18 | 60011064000 | TAMPERPROOF SCREW F. IGN. LOCK | 1 |
| 19 | 40011166100 | KEY BLANK LC4/DUKE/LC8 | 1 |
| 20 | 60014068000 | DAMPING RING TACHOMETER 03 | 1 |
| 22 | 0984060252 | AH SCREW DIN6912 M6X25 | 2 |
| 23 | 60008045000 | SPECIAL WASHER D=16,5MM 03 | 2 |
| 24 | 62514037000 | SPACER BUSHING 6,2X7,5X10,3 05 | 2 |

086251431 / C086251431

* NEW PART

X AS REQUIRED





| FIG | PART NUMBER | DESCRIPTION | QTY |
|-----|-------------|--|-----|
| 1 | 60029057000 | PLIERS F. VAR.ONE-EAR CLAMP 03 | 1 |
| 2 | 60029057100 | PLIERS F. CLAMP 03 | 1 |
| 3 | 15112017000 | BUSHING EXTRACTOR | 1 |
| 4 | 60029018000 | INTERN.BEAR.PULLER 28 MM | 1 |
| 5 | 60029055100 | ATTACHMENT WHEELED JACK 03 | 1 |
| 6 | 58303070000 | STOP RUBBER M8 | 2 |
| 7 | 09340800003 | HEXAGON NUT DIN0934-M 8 | 4 |
| 9 | 60029020000 | RIVET TOOL 03 | 1 |
| 10 | 6899785 | LOCTITE 243 BLUE 6CCM | 1 |
| 11 | 60029056000 | ANVIL DOLLY 03 | 1 |
| 12 | 60010013000 | SPACER BUSH. REAR WHEEL R/S 03 FOR SWINGARM BEARING | 1 |
| 13 | 58429086000 | PRESS. TOOL F. LINK BEAR. LC4 | 1 |
| 14 | 58429091000 | MOUNT.TOOL STEER.HEAD BEAR.LC4 | 1 |
| 15 | 58429092000 | DISMOUNT. TOOL F. BEARINGS LC4 | 1 |
| 16 | 58429089000 | HOLDING TOOL CHASSIS LC4 | 1 |
| 17 | 62529055000 | VEHICLE STAND 05 | 1 |

086251910 / C086251910

* NEW PART

X AS REQUIRED

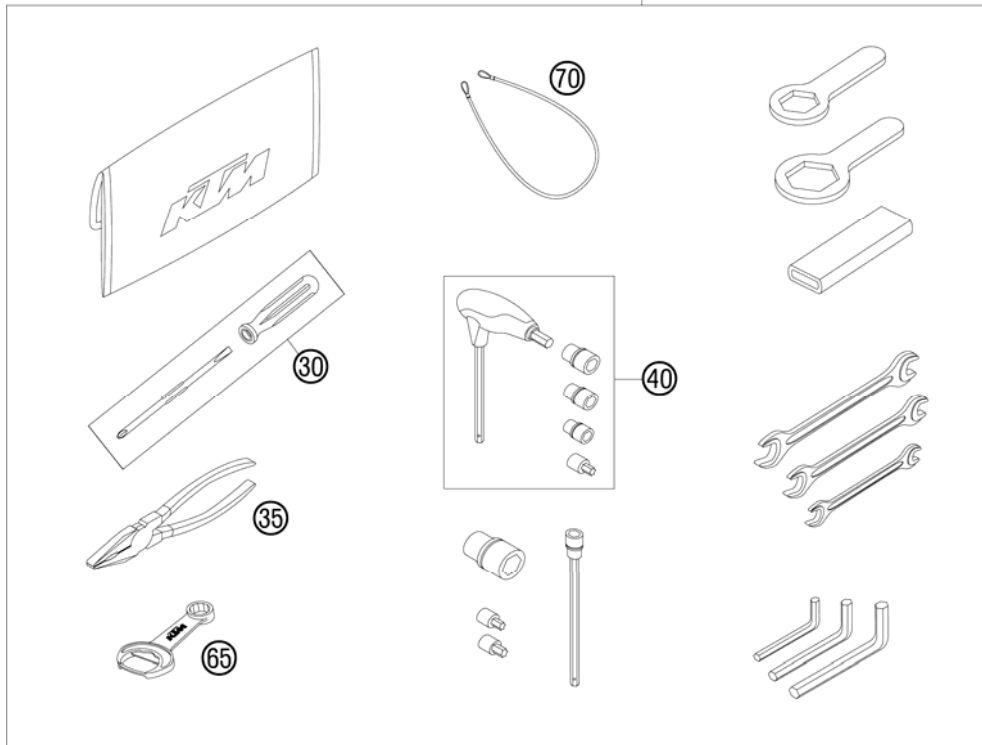
ACCESSORIES KIT

950 SUPERMOTO R EU 2008

①
OHNE ABBILDUNG
WITHOUT ILLUSTRATION

①
TECHNISCHE DOKUMENTATION
TECHNICAL DOCUMENTATION
DOCUMENTACION TECNICA
DOCUMENTATION TECHNIQUE
NOTE TECNICHE

⑫



| FIG | PART NUMBER | DESCRIPTION | QTY |
|-----|-------------|--------------------------------|-----|
| 0 | 00063099111 | BAG FOR INSTRUCTION MANUAL | 1 |
| 0 | 312305 | DOCUMENTS BAG 2006 | 1 |
| 0 | 312313 | KTM BALLPOINT ORANGE | 1 |
| 0 | 3210039 | CUSTOMER WELCOME LETTER | 1 |
| 0* | 3211246 | OWN. MANUAL 950 SUPERMOTO-R 08 | 1 |
| 12* | 61129099000 | TOOL SET 08 | 1 |
| 30 | 53012024100 | SCREW DRIVER L=105MM | 1 |
| 35 | 53012028200 | GRIP ORANGE B&F | 1 |
| 40 | 60029070200 | T-WRENCH WS=6/8/10 TX=45 B&F | 1 |
| 65 | 50329071000 | WRENCH WS=13/17 | 1 |
| 70 | 60012015000 | HELMET LOCK 04 | 1 |

086252001 / C086252004

* NEW PART

X AS REQUIRED







KTM-Sportmotorcycle AG
A-5230 Mattighofen
www.ktm.at

KTM Group Partner



3CF9803H1EN



Art.Nr.: 3CF9803H1EN 10/2007