

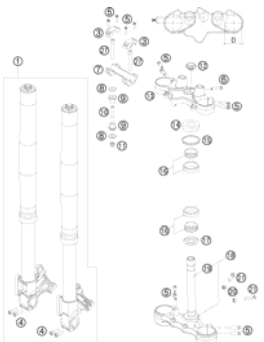
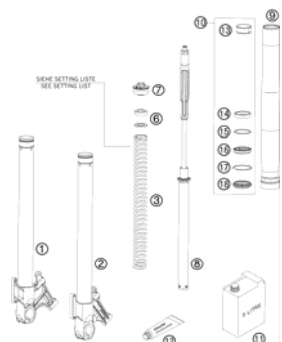
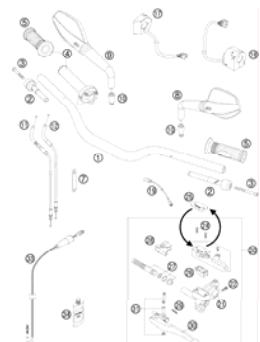
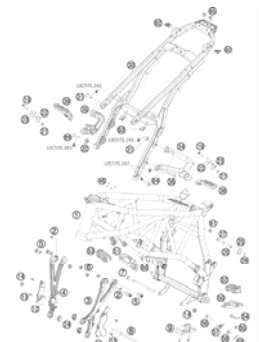
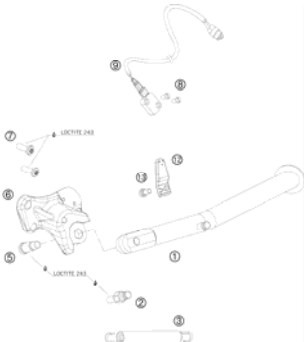
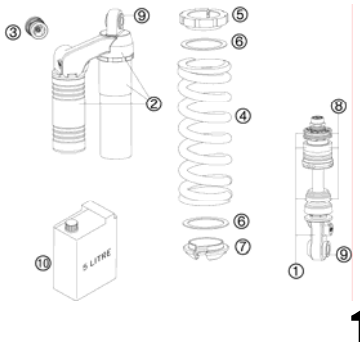
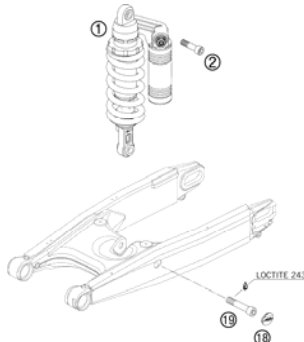
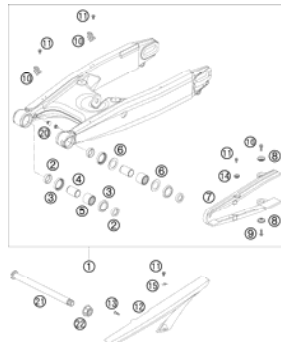

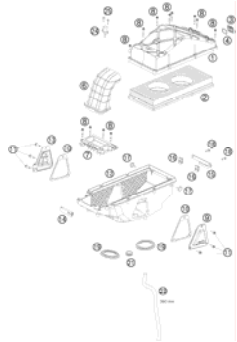
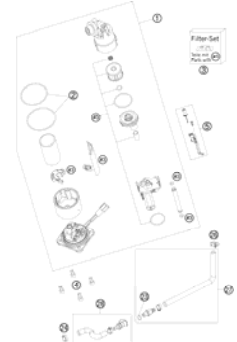

990 SUPERMOTO R EU 2009



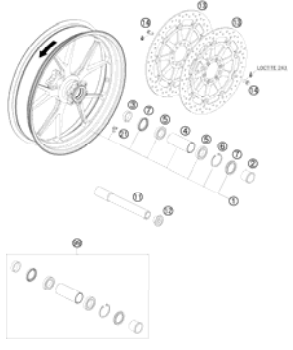
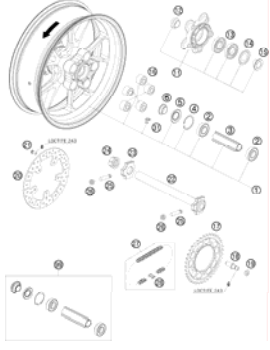
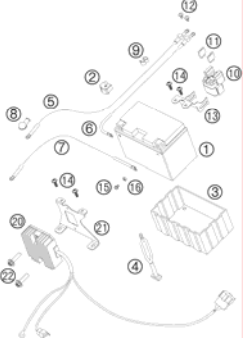
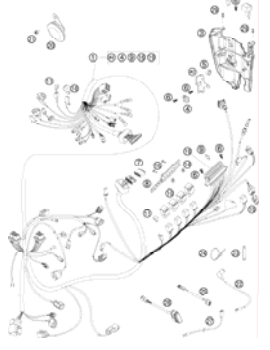
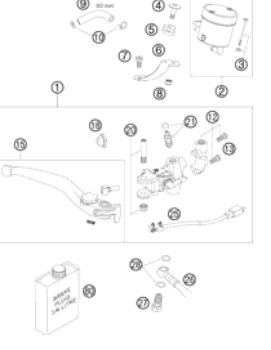

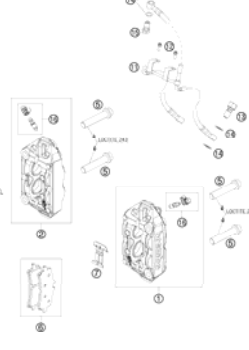
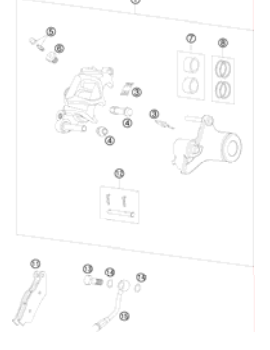
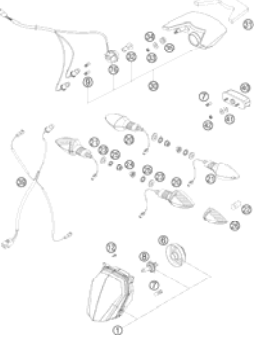
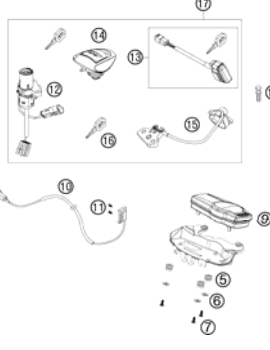
SPARE PARTS MANUAL: CHASSIS

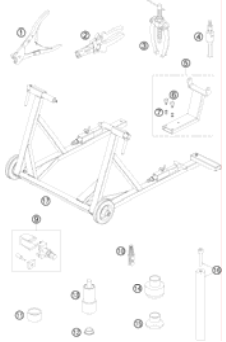
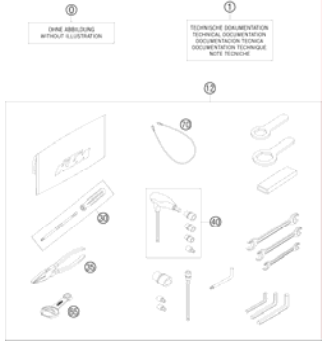
ART.NO.: 3CF9803I1EN

ENGLISH



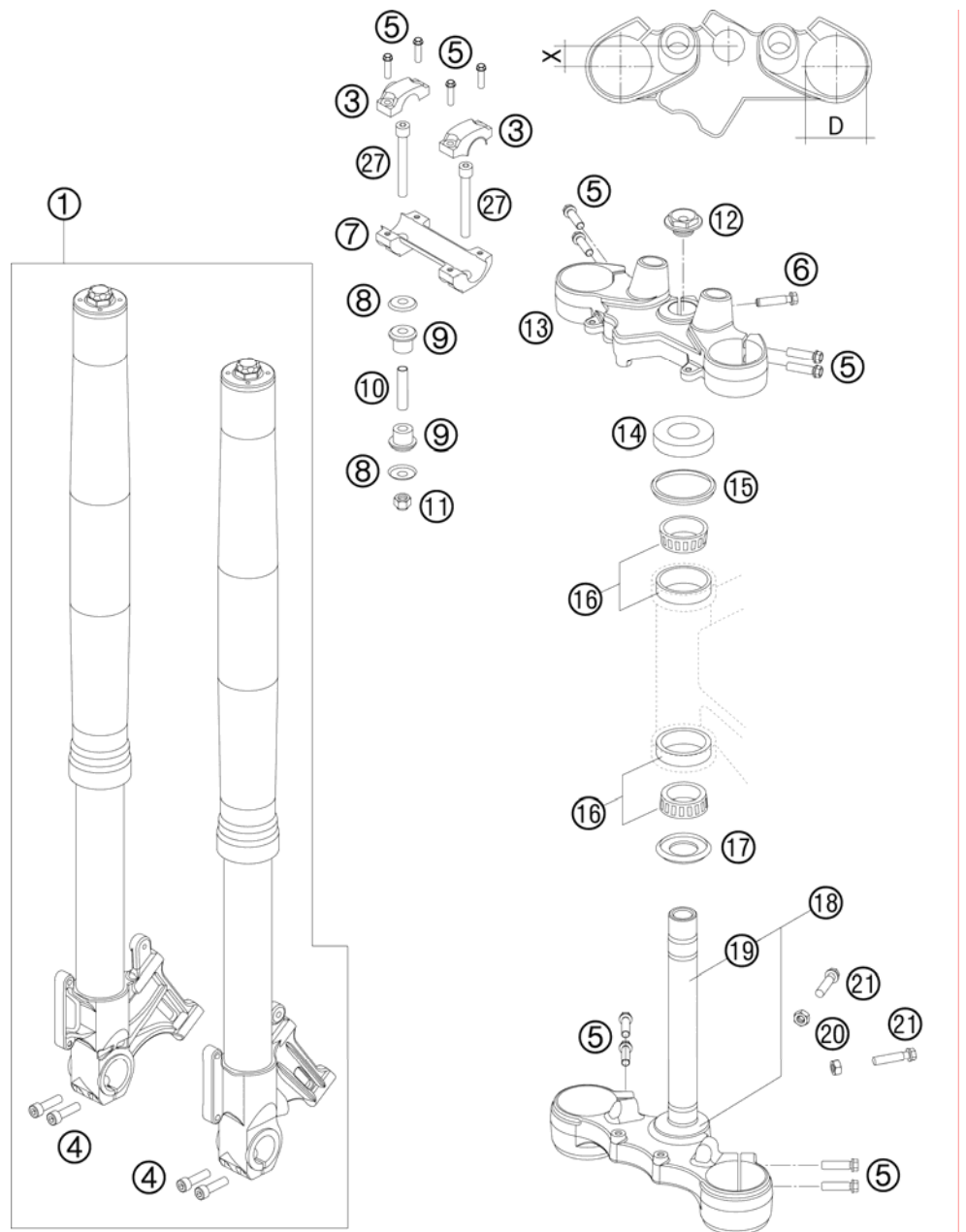
| | | | |
|---|---|---|--|
| <p>FRONT FORK</p>  <p>4</p> | <p>FRONT FORK DISASSEMBLED</p>  <p>5</p> | <p>HANDLEBAR, CONTROLS</p>  <p>6</p> | <p>FRAME</p>  <p>7</p> |
| <p>SIDE / CENTER STAND</p>  <p>9</p> | <p>SHOCK ABSORBER DISASSEMBLED</p>  <p>10</p> | <p>SHOCK ABSORBER</p>  <p>11</p> | <p>SWING ARM</p>  <p>12</p> |
| <p>EXHAUST SYSTEM</p>  <p>13</p> | <p>AIR BOX</p>  <p>14</p> | <p>FUEL PUMP</p>  <p>15</p> | <p>TANK, SEAT, COVER</p>  <p>16</p> |

| | | | |
|--|---|--|--|
| MASK, FENDERS  17 | DECAL  19 | FRONT WHEEL  20 | REAR WHEEL  21 |
| BATTERY  22 | WIRING HARNESS  23 | HAND BRAKE CYLINDER  24 | REAR BRAKE CONTROL  25 |
| BRAKE CALIPER FRONT  26 | BRAKE CALIPER REAR  27 | LIGHTING SYSTEM  28 | INSTRUMENTS / LOCK SYSTEM  29 |

| | | | |
|--|---|--|--|
| <p>SPECIAL TOOLS</p>  <p>30</p> | <p>ACCESSORIES KIT</p>  <p>31</p> | | |
| | | | |
| | <div data-bbox="638 1077 772 1380" data-label="Image"> </div> <p>All information contained is without obligation. KTM-Sportmotorcycle AG particularly reserves the right to modify any equipment, technical specifications, prices, colors, shapes, materials, services, service work, constructions, equipment and the like so as to adapt them to local conditions or to cancel any of the above items, all without previous announcement and without giving reasons. KTM may stop manufacturing certain models without previous notice. KTM shall not be held liable for any deviations of availability and/or ability to deliver, illustrations, descriptions, printing and/or other errors. The illustrated models partly contain extra equipment, which is not applied to standard models. © by KTM-SPORTMOTORCYCLE AG, Mattighofen AUSTRIA; All rights reserved; Reprint, also in extracts, with written allowance of KTM-SPORTMOTORCYCLE AG, Mattighofen only.</p> | | |

FRONT FORK

990 SUPERMOTO R EU 2009



| FIG | PART NUMBER | DESCRIPTION | QTY |
|-----|----------------|--------------------------------|-----|
| 1 | 14187E2101 | FORK KTM 990 SM-R 2009 | 1 |
| 3 | 5900103830001S | HANDLEBAR CLAMP 28MM 07 | 2 |
| 4 | 0912080303 | AH SCREW DIN0912-M 8X30 | 4 |
| 5 | 0035080306 | AH-COLLAR SCREW M8X30 ISA45 | 12 |
| 6 | 0035080356 | AH-COLLAR SCREW M8X35 ISA45 | 1 |
| 7 | 5900103920001S | HANDLEBAR SUPPORT 28MM 07 | 1 |
| 8 | 56401042000 | WASHER 10,5X32X2 | 4 |
| 9 | 56401040000 | RUBBER BUSHING | 4 |
| 10 | 56401041100 | SPACER TUBE 10,2X12X44 | 2 |
| 11 | 0982100003 | SELF LOCK.NUT DIN0982-M10 HIGH | 2 |
| 12 | 54801036200 | STEER.HEAD SCREW M20x1,5 SW=27 | 1 |
| 13 | 6250103402633S | TOP TRIPLE CLAMP | 1 |
| 14 | 61001086000 | STEERING HEAD COVER 05 | 1 |
| 15 | 54601184000 | STEERING HEAD GASKET TOP | 1 |
| 16 | 54201081100 | TAPERED ROLLER BEARING CPL. 06 | 2 |
| 17 | 54601084200 | O-RING SUPPORT W. SEALING LIP | 1 |
| 18 | 6250103202633S | BOTTOM TRIPLE CLAMP CPL. | 1 |
| 19 | 60001033000 | FORK TUBE LC8 ADV 03 | 1 |
| 20 | 0934080003 | HEXAGON NUT DIN0934-M 8 | 2 |
| 21 | 0933080303 | HH SCREW DIN0933-M 8X30 | 2 |
| 27 | 0984100703 | AH SCREW DIN6912-M10X70 | 2 |

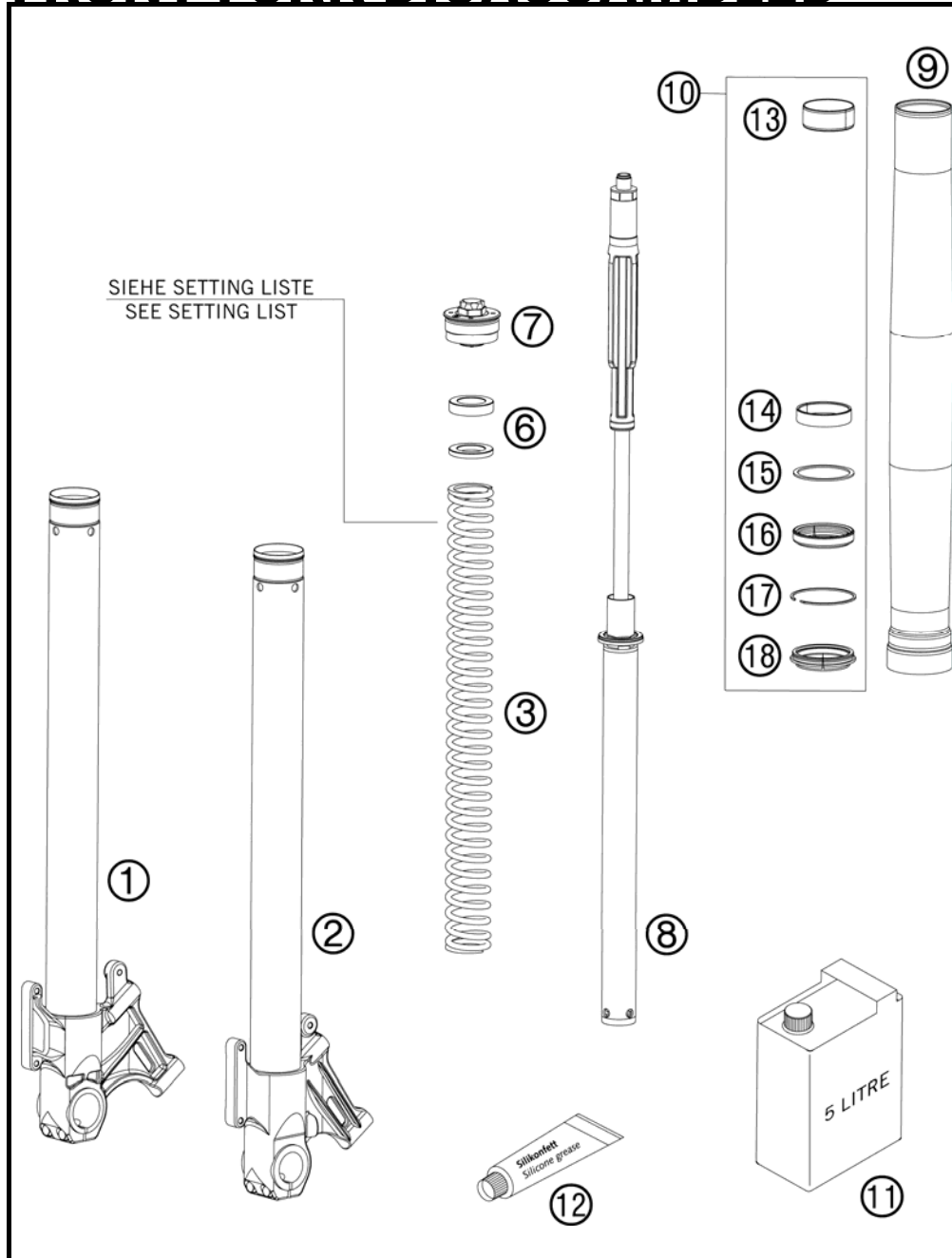
096260110 / C096260111

* NEW PART

X AS REQUIRED

FRONT FORK DISASSEMBLED

990 SUPERMOTO R EU 2009



| FIG | PART NUMBER | DESCRIPTION | QTY |
|-----|-------------|--------------------------------|-----|
| 1 | 48600685S3 | AXLE CLAMP R/S CPL. 07 | 1 |
| 2 | 48600686S3 | AXLE CLAMP L/S CPL. 07 | 1 |
| 3 | 91410076S | SPRING D43,7 L375 7,5N/MM SET | 1 |
| 6 | 48600036 | SPACER 42X26,5X2,5 | 2 |
| 6 | 48600037 | SPACER 42X26,5X5 | 2 |
| 6 | 48600053 | SPACER 42X26,5X1,5 | 2 |
| 7 | 48600431S | PRE-LOAD ADJ. CPL. M51X1,5 05 | 2 |
| 8 | 48600839S | CARTRIDGE CPL. 990 SM-R 2009 | 1 |
| 9 | 48600712 | OUTER TUBE L610 D54/D60 2L ROA | 2 |
| 10 | R14017 | REPAIR-KIT GASKET 09 | 1 |
| 11 | 48600765S1 | FORK OIL SAE5 5L 2008 | 1 |
| 12 | T511 | SILICONE GREASE F. DUST STRI | 1 |
| 13 | 48600428 | DU-BUSH D47XD49X20DDL02 | 2 |
| 14 | 48600429 | DU-BUSH D48XD52X12DDL02 | 2 |
| 15 | 48600013 | SUPPORT RING 50 X 57,6 X 1,5 | 2 |
| 16 | 48600399 | OIL SEAL RING 48X57,8X9,5 | 2 |
| 17 | 48600070 | LOCK WASHER SB58 | 2 |
| 18 | 48600816 | DUST SEAL | 2 |

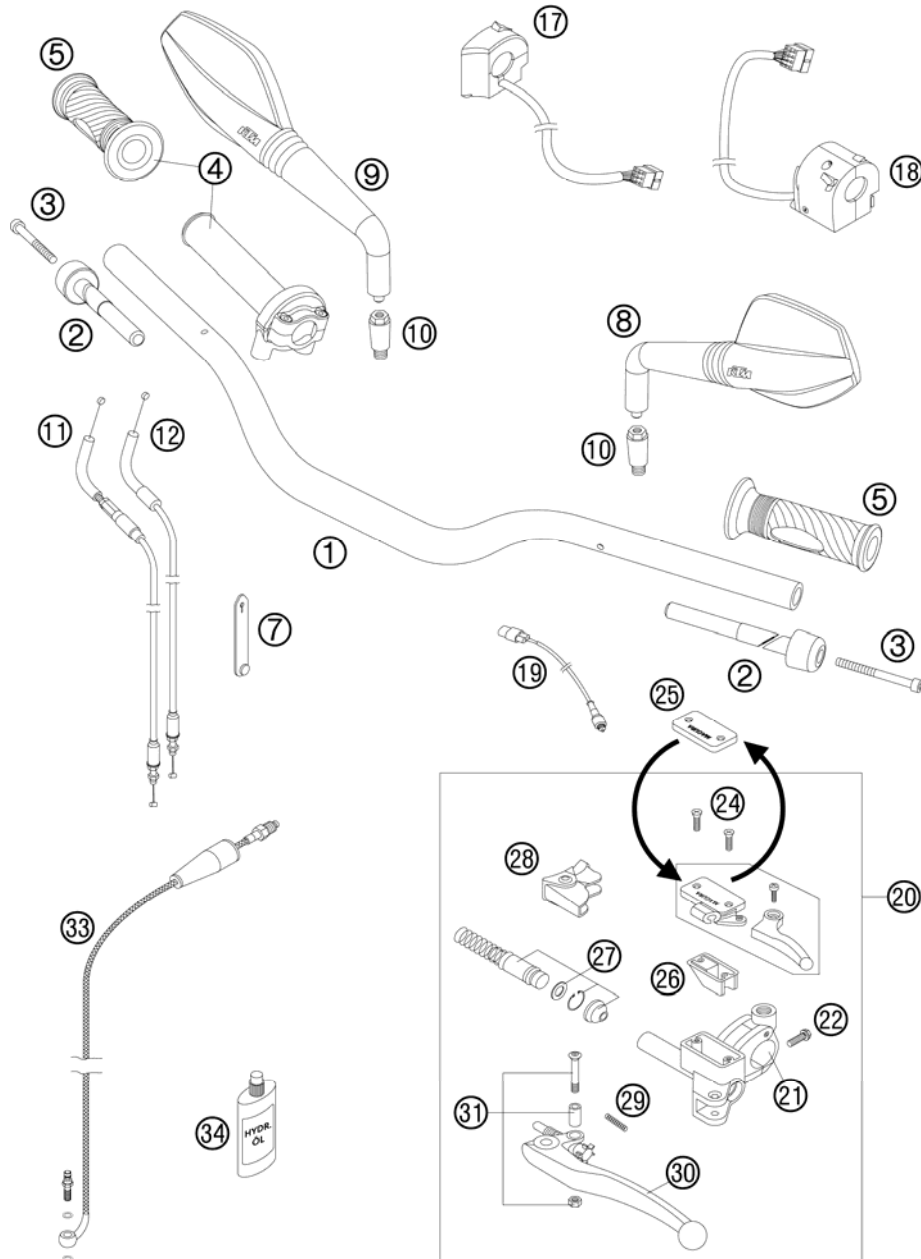
086250130 / C096260131

* NEW PART

X AS REQUIRED

HANDLEBAR, CONTROLS

990 SUPERMOTO R EU 2009

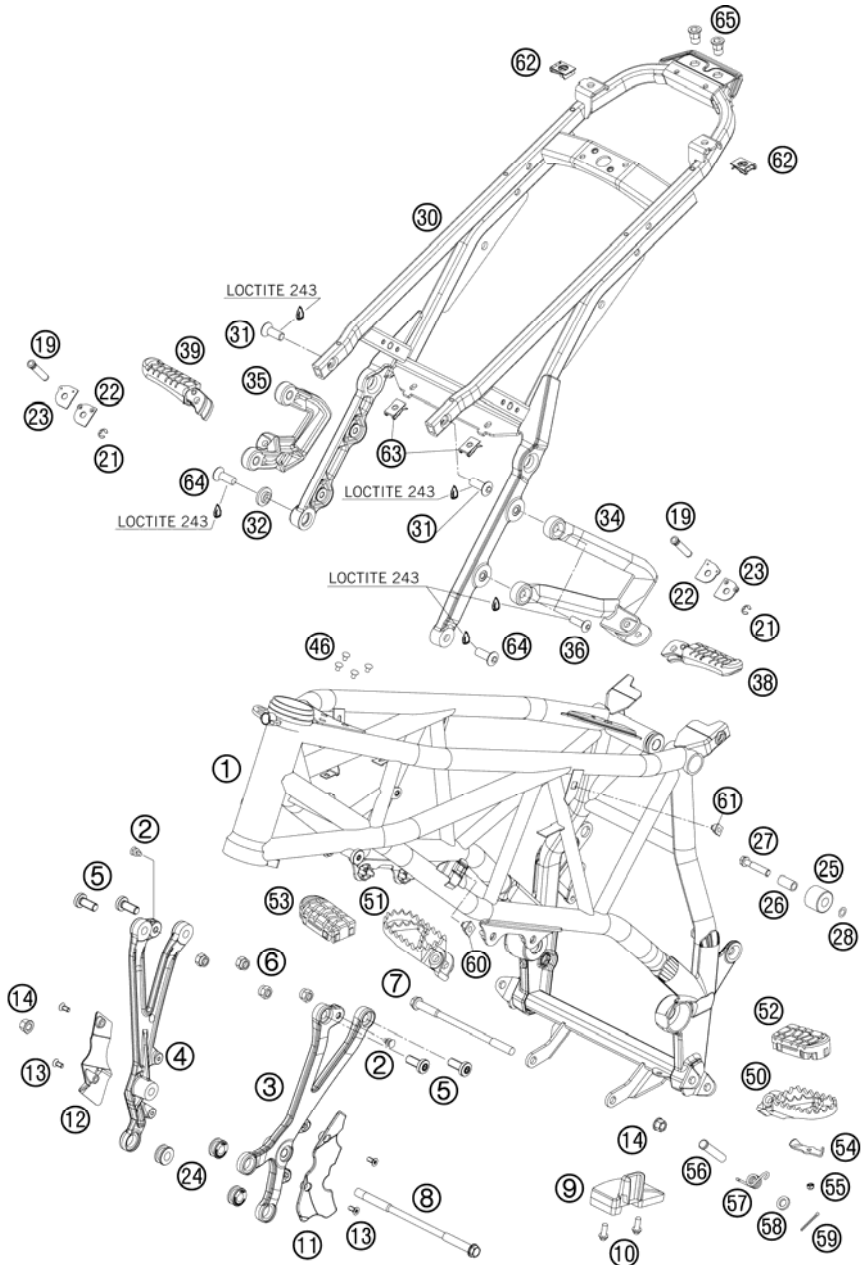


| FIG | PART NUMBER | DESCRIPTION | QTY |
|-----|-------------|--------------------------------|------|
| 1 | 62602001000 | HANDLEBAR 990 SM | 1 |
| 2 | 61002004000 | VIBRATIONS ABSORBER | 2 |
| 3 | 0912060653 | AH SCREW DIN0912-M 6X65 | 2 |
| 4 | 61002010000 | THROTTLE GRIP | 05 |
| 5 | 61002021000 | GRIPP SET | 1 |
| 7 | 60011093045 | RUBBER CABLE TIE 45MM | x |
| 8 | 61112040000 | REVIEW MIRROR L/S | 07 |
| 9 | 61112041000 | REVIEW MIRROR R/S | 07 |
| 10 | 58412040050 | SUPPORT FOR MIRROR LC4 | '98 |
| 11 | 62502091000 | THROTTLE CABLE OPEN | 05 |
| 12 | 62502092000 | THROTTLE CABLE CLOSE | 05 |
| 17 | 58411074100 | START-STOP SWITCH AD LC4 | 02 |
| 18 | 61011070000 | LIGHT SWITCH | 05 |
| 19 | 58411049100 | CLUTCH SWITCH | 03 |
| 20 | 60002030000 | MASTER CYLINDER MAGURA D=10.5 | 1 |
| 21 | 60002044000 | CLAMP MIRROR WITH CLAMP | 1 |
| 22 | 0035100309S | AH-COLLAR SCREW M10X30 ISA45 | 1 |
| 24 | 0965040123 | FLAT HEAD SCREW DIN0965-M 4X12 | 2 |
| 25 | 50302033000 | COVER FOR HYDR. CLUTCH | '98 |
| 26 | 50302034000 | RUBBER FOR RESERVOIR | '98 |
| 27 | 50302032000 | REP.SET PISTON MAGURA D=10.5 | 1 |
| 28 | 50302037000 | PROTECT.CAP FOR LEVER PERCH'98 | 1 |
| 29 | 59002035000 | SPRING FOR CLUTCH LEVER | 03 |
| 30 | 60002031000 | CLUTCH LEVER LONG CPL. | 2003 |
| 31 | 50302038000 | LEVER SCREW CPL. 125-200 | '98 |
| 33 | 60032063100 | CLUTCH PIPE LC8 ADV | '03 |
| 34 | 50302036200 | OIL FOR HYD. CLUTCH 75ML | 1 |

086260210 / C096260211

* NEW PART

X AS REQUIRED

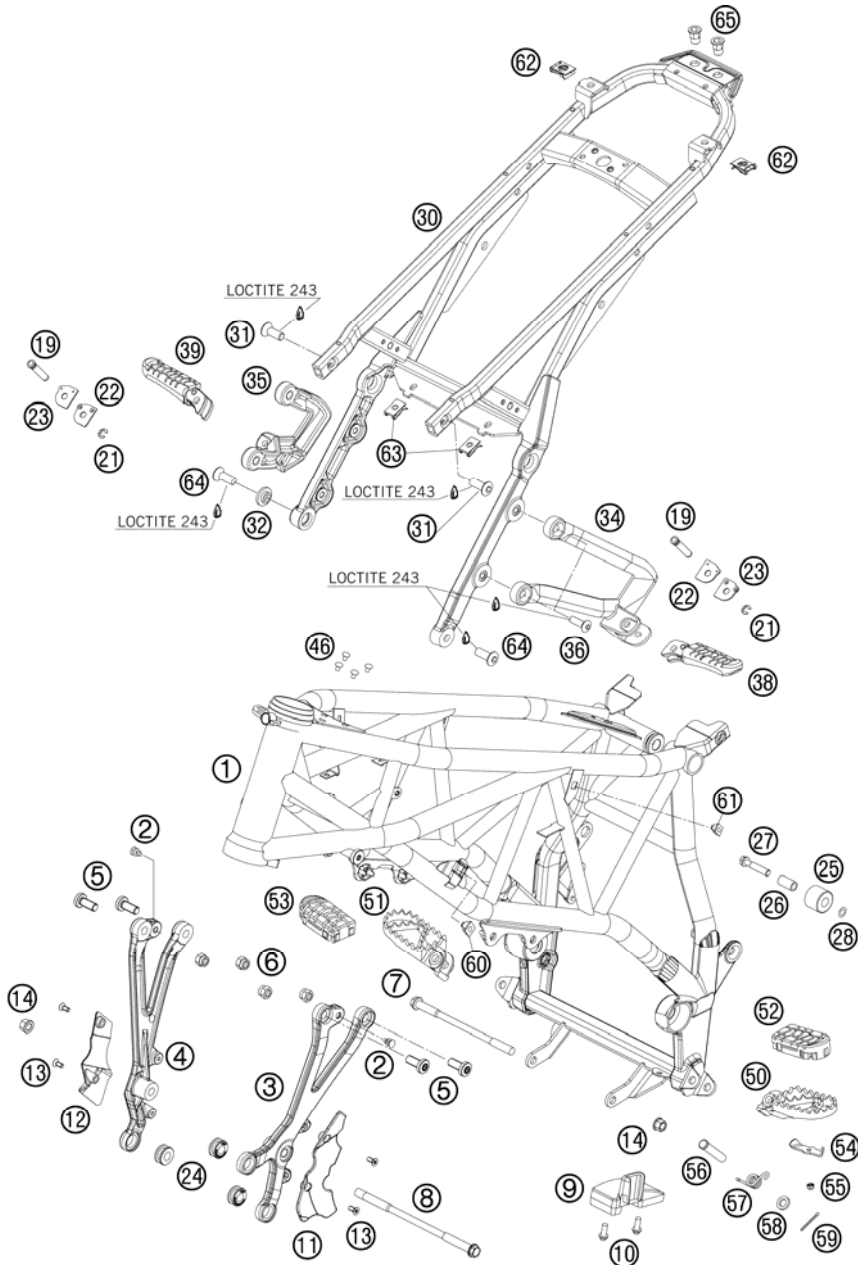


| FIG | PART NUMBER | DESCRIPTION | QTY |
|-----|----------------|--------------------------------|-----|
| 1 | 6260300100004 | FRAME "FC08" ORANGE | 1 |
| 2 | 54403135000 | PLASTIC CAP SFL10 | 2 |
| 3 | 6250300500033S | ENGINE SUPPORT L/S 07 | 1 |
| 4 | 6250300600033S | ENGINE SUPPORT R/S 07 | 1 |
| 5 | 0035100249 | AH-COLLAR SCREW M10X24 ISA45 | 4 |
| 6 | 54310086100 | SELF LOCKING NUT M10 CU WS=14 | 4 |
| 7 | 60003013000 | ENGINE BRAC. SCREW M10X172 03 | 1 |
| 8 | 60003014000 | ENGINE BRAC. SCREW M10X206 03 | 1 |
| 9 | 60004076100 | CHAIN SLIDING BLOCK 05 | 1 |
| 10 | 0017060204 | EJOT PT SCREW K60X20 ALU WS=6 | 2 |
| 11 | 62603005050 | COVER ENGINE SUPPORT LEFT | 1 |
| 12 | 62603006050 | COVER ENGINE | 1 |
| 13 | 0019050121 | COUNTERSUNK SCREW ISA25 M5X12 | 4 |
| 14 | 54630044000 | COLLAR NUT M10 WS=13 | 2 |
| 19 | 60003044000 | BOLT FOR FOOTREST REAR 03 | 2 |
| 21 | 0799060003 | TAB WASHER DIN6799-RS 6,0 | 2 |
| 22 | 60003152000 | ENGAGE PANEL FOOTREST L/S 03 | 2 |
| 23 | 60003052000 | ENGAGE PANEL FOOTREST R/S 03 | 2 |
| 24 | 60003098000 | RUBBER SLEEVE 03 | 3 |
| 25 | 58403060000 | CHAIN ROLL 12X29X22,5 '98 | 1 |
| 26 | 58403060065 | BUSH CHAIN ROLL 8X12X23 '98 | 1 |
| 27 | 0025080406 | HH COLLAR SCREW M8X40 TX40 | 1 |
| 28 | 36003014000 | LOCK WASHER 8MM | 1 |
| 30 | 6260300210033 | SUB FRAME SM BLACK MATT | 1 |
| 31 | 0019100289S | COUNTERSUNK SCREW ISA45 M10X28 | 2 |
| 32 | 60003001051 | COLLAR BUSHING 10X15X25X4 03 | 1 |
| 34 | 6250304800033S | FOOTREST BRACKET REAR L/S 07 | 1 |
| 35 | 6250304900033S | FOOTREST BRACKET REAR R/S 07 | 1 |
| 36 | 0019080266S | COUNTER-SUNK SCREW ISA45 M8X26 | 4 |
| 38 | 60003050000 | FOOTREST CPL. L/S REAR 03 | 1 |
| 39 | 60003051000 | FOOTREST CPL. R/S REAR 03 | 1 |
| 46 | 60103088000 | PLUG ZK 8/5 06 | 4 |
| 50 | 59003040250 | FOOT PEG L/S SILVER 02 | 1 |
| 51 | 59003041250 | FOOT PEG R/S SILVER 02 | 1 |
| 52 | 60003040010 | FOOTREST RUBBER FRONT L/S 03 | 1 |
| 53 | 60003041010 | FOOTREST RUBBER FRONT R/S 03 | 1 |

096260310 / C096260311

* NEW PART

X AS REQUIRED

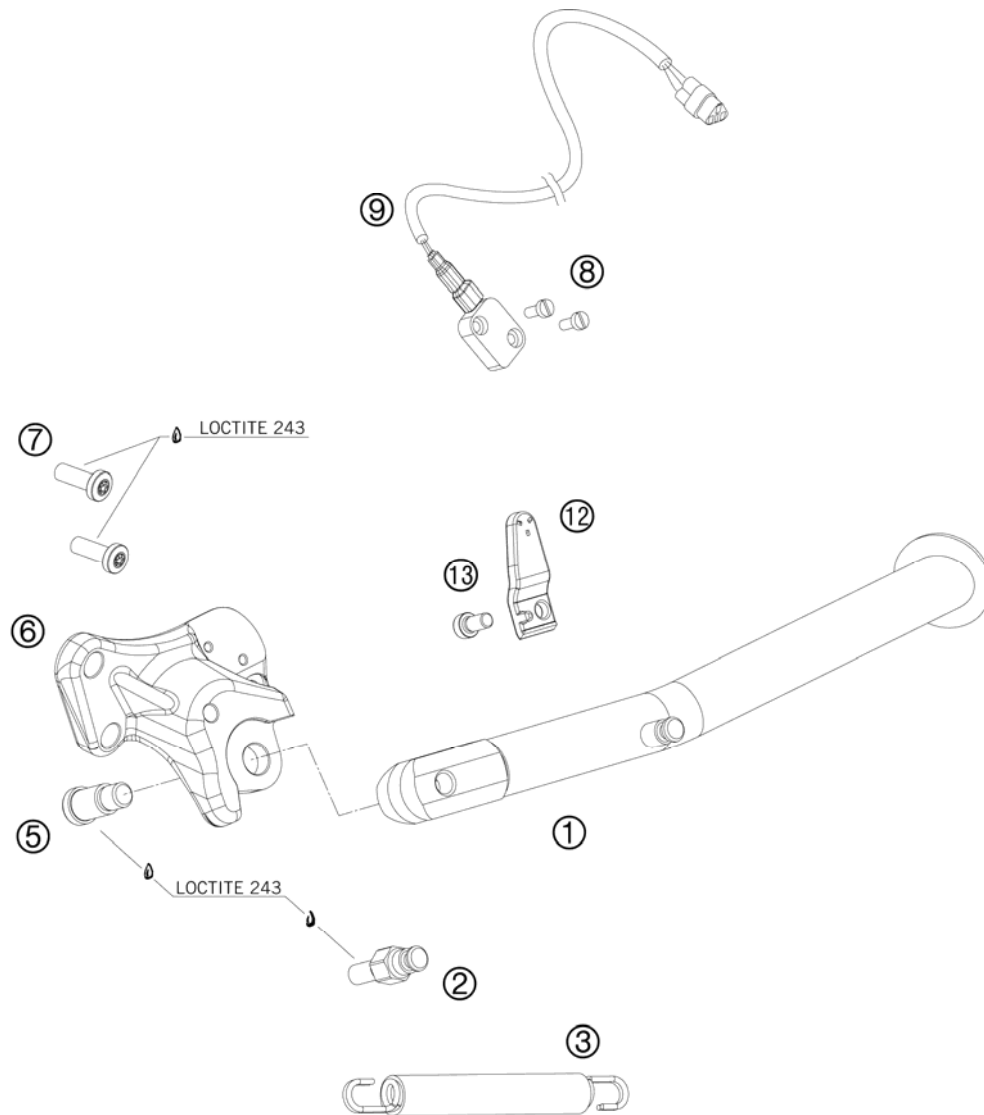


| FIG | PART NUMBER | DESCRIPTION | QTY |
|-----|-------------|--------------------------------|-----|
| 54 | 60003044010 | CLOSING PANEL FRONT L/S R/S 03 | 2 |
| 55 | 0985050003 | SELF LOCKING NUT DIN0985-M 5 | 2 |
| 56 | 54803044000 | BOLT FOR FOOT PED 03 | 2 |
| 57 | 54603041000 | FOOTREST SPRING L/S & R/S | 2 |
| 58 | 0125100003 | WASHER DIN0125-A10,5 | 2 |
| 59 | 0094032253 | PIN DIN0094-3,2X25 STEEL | 2 |
| 60 | 60003095100 | CAGE NUT M8 | 2 |
| 61 | 60011038000 | CAGE NUT M6 SL K100-1 1,5MM | 2 |
| 62 | 54603048000 | RANGE CHANGE METAL NUT M8 | 2 |
| 63 | 54603048100 | RANGE CHANGE METAL NUT M6 | 2 |
| 64 | 0019100239S | COUNTERSUNK SCREW ISA45 M10X23 | 2 |
| 65 | 61003002080 | BLIND RIVET NUT M8 HUC/ROF 5 0 | 2 |

096260310 / C096260311

* NEW PART

X AS REQUIRED



| FIG | PART NUMBER | DESCRIPTION | QTY |
|-----|---------------|--------------------------------|-----|
| 1 | 6250302300033 | SIDE STAND L=236MM 07 | 1 |
| 2 | 76503028001 | SPECIAL SCR. SIDE STAND SPRING | 1 |
| 3 | 61003024000 | SPRING L=116 MM 05 | 1 |
| 5 | 62503027200 | SCREW FOR SIDE STAND M10X31,2 | 1 |
| 6 | 62603026000 | SIDE STAND BRACKET | 1 |
| 7 | 0035100309S | AH-COLLAR SCREW M10X30 ISA45 | 2 |
| 8 | 0084040103 | CYL.HEAD SCREW DIN84A M4x10 | 2 |
| 9 | 61011045000 | SIDE STAND SENSOR 05 | 1 |
| 12 | 60103029050 | MAGNET HOLDER ADV. 06 | 1 |
| 13 | 014580060126 | CYL. SCREW DIN14580 M 6X12 | 1 |

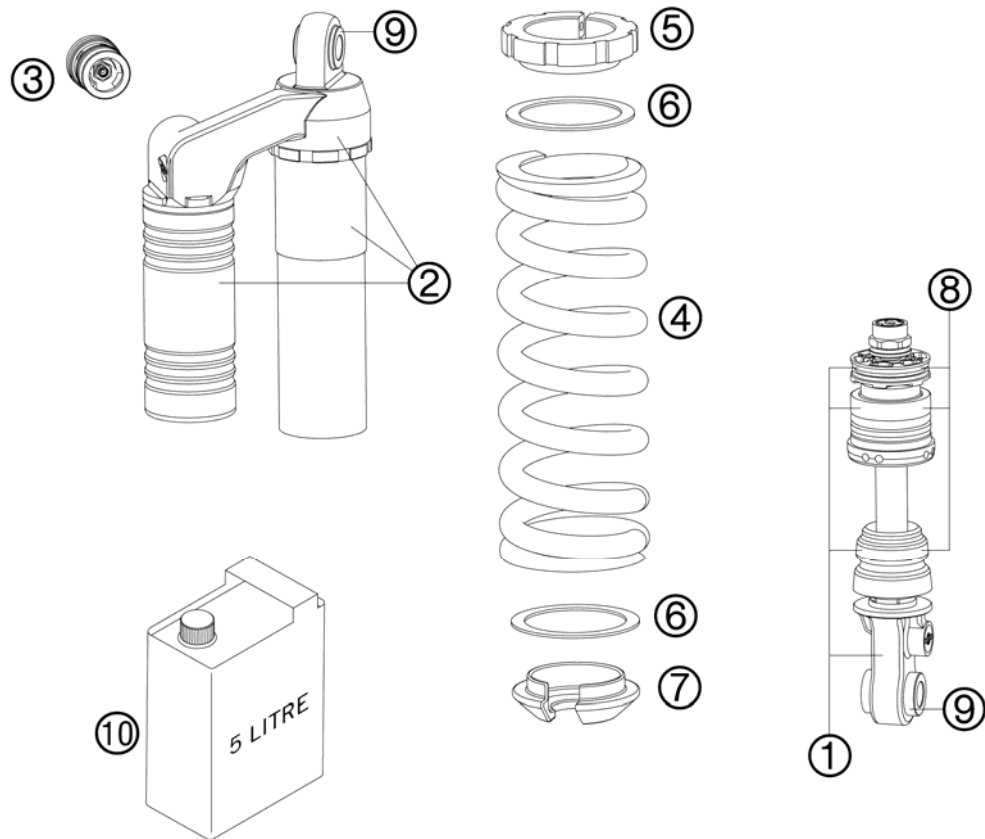
096260360 / C096260361

* NEW PART

X AS REQUIRED

SHOCK ABSORBER DISASSEMBLED

990 SUPERMOTO R EU 2009



| FIG | PART NUMBER | DESCRIPTION | QTY |
|-----|-------------|--------------------------------|-----|
| 1 | 46180399S1 | MONOSHOCK LOWER PART CPL. 05 | 1 |
| 2 | 46180398S1 | MONOSHOCK CASE TOP 05 | 1 |
| 3 | 50180213S6 | DCC-COMPR.DAMP.CONTROL CPL. 04 | 1 |
| 4 | 91010086S | SPRING 130-215(59)D=13,5 WHITE | x |
| 4 | 91010171S | SPRING 120-215 (59) D=13 WHITE | x |
| 4 | 91010172S | SPRING 140-215(59)D=13,75WHITE | x |
| 4 | 91010285S | SPRING 130-215(59)D13,5 ORANGE | 1 |
| 5 | 46180394S | ADJUSTING NUT M52X1,5 | 1 |
| 6 | 50180410 | INTERM.RING D=58 | 2 |
| 7 | 46180396 | SPRING RETAINER H=15 D=28 | 1 |
| 8 | R15004 | REPAIR KIT GASKET 05 | 1 |
| 9 | R15003 | REPAIR KIT BEARINGS 05 | 1 |
| 10 | 50180342S1 | SHOCK ABSORBER FLUID 5 LT '03 | 1 |

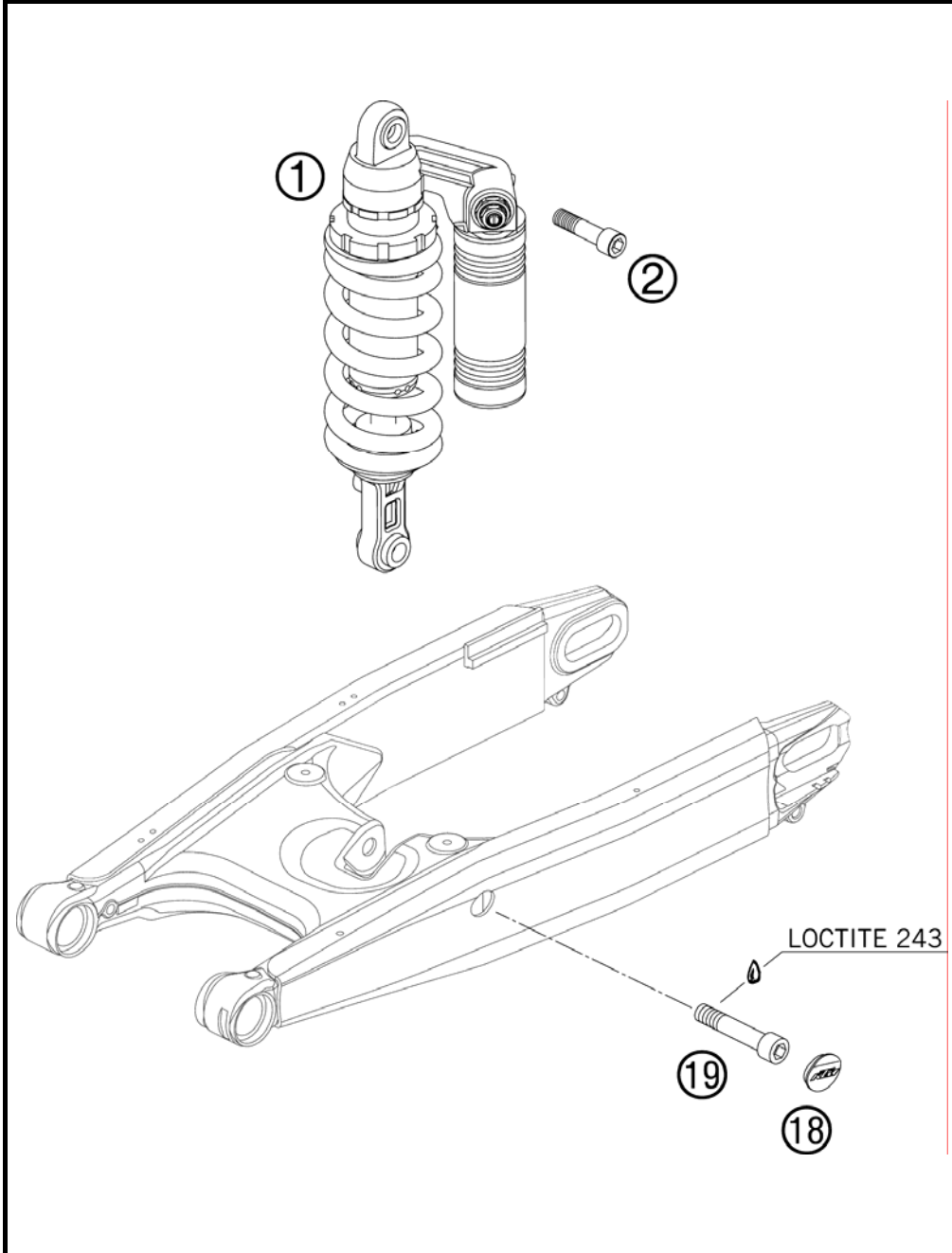
086260430 / C086260430

* NEW PART

X AS REQUIRED

SHOCK ABSORBER

990 SUPERMOTO R EU 2009



| FIG | PART NUMBER | DESCRIPTION | QTY |
|-----|-------------|------------------------------|-----|
| 1 | 15187E03 | MONOSHOCK 990 SUPERMOTO-R 09 | 1 |
| 2 | 60004016000 | SCREW M14X1,5 L=55MM 03 | 1 |
| 18 | 60004041000 | PLUG SWINGARM 03 | 1 |
| 19 | 60004017000 | SCREW M14X1,5 L=73MM 03 | 1 |

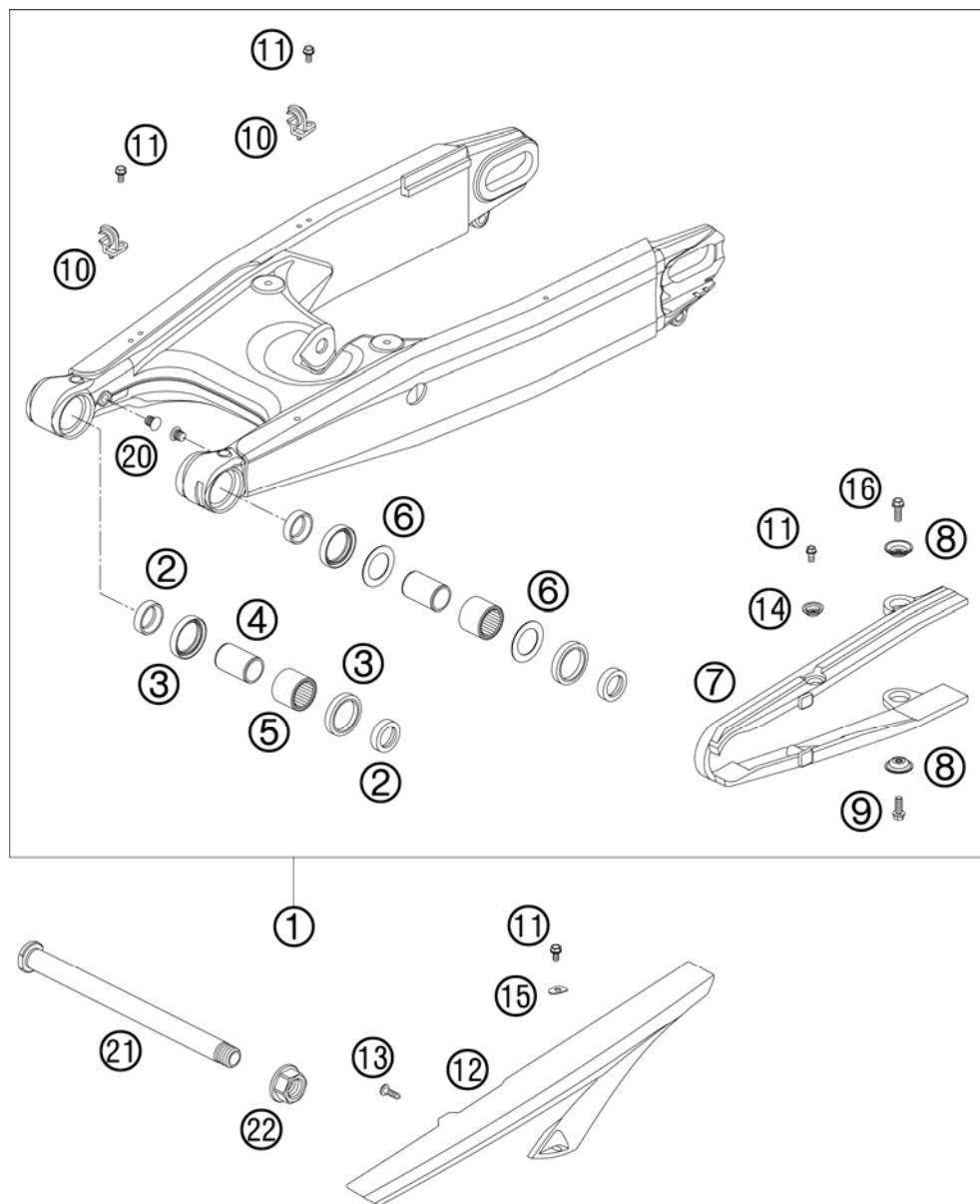
086260410 / C096260411

* NEW PART

X AS REQUIRED

SWING ARM

990 SUPERMOTO R EU 2009



| FIG | PART NUMBER | DESCRIPTION | QTY |
|-----|---------------|--------------------------------|-----|
| 1 | 6100403004433 | SWING ARM CPL. SM-R SD-R 07 | 1 |
| 2 | 60004034000 | BUCKET F. SHAFT SEAL RING 03 | 4 |
| 3 | 0760304073 | SHAFT SEAL RING 30X40X7 | 4 |
| 4 | 60004032000 | INNER RING JR20X25X38,5 03 | 2 |
| 5 | 60004031000 | NEEDLE BUSH HK2526B 03 | 2 |
| 6 | 60004033000 | STOP DISK 03 | 2 |
| 7 | 60004066100 | CHAIN SLID. GUARD SWINGARM 05 | 1 |
| 8 | 72210079000 | BUCKET | 2 |
| 9 | 59009062013 | SPECIAL SCREW M6X13 WS=8 10.9 | 1 |
| 10 | 5461107610030 | RET. CLAMP F. BRAKE HOSE BLACK | 2 |
| 11 | 0009050103 | SPECIAL SCREW M 5,0X10 | 4 |
| 12 | 61004060000 | CHAINGUARD 05 | 1 |
| 13 | 0081050181 | SCREW FOR PLASTIC K50X18 T20 | 1 |
| 14 | 46104066050 | BUSH FOR CHAINSLIDER GUARD 02 | 1 |
| 15 | 61004060050 | WASHER CHAINGUARD 05 | 1 |
| 16 | 59009062016 | SPECIAL SCREW M6X16 WS=8 10.9 | 1 |
| 20 | 60004042000 | PLUG SFL12 GREY 05 | 2 |
| 21 | 60004037144 | SWINGARM BOLT CPL. 05 | 1 |
| 22 | 60004038000 | COLLAR NUT M19X1,5 WS=27MM 03 | 1 |

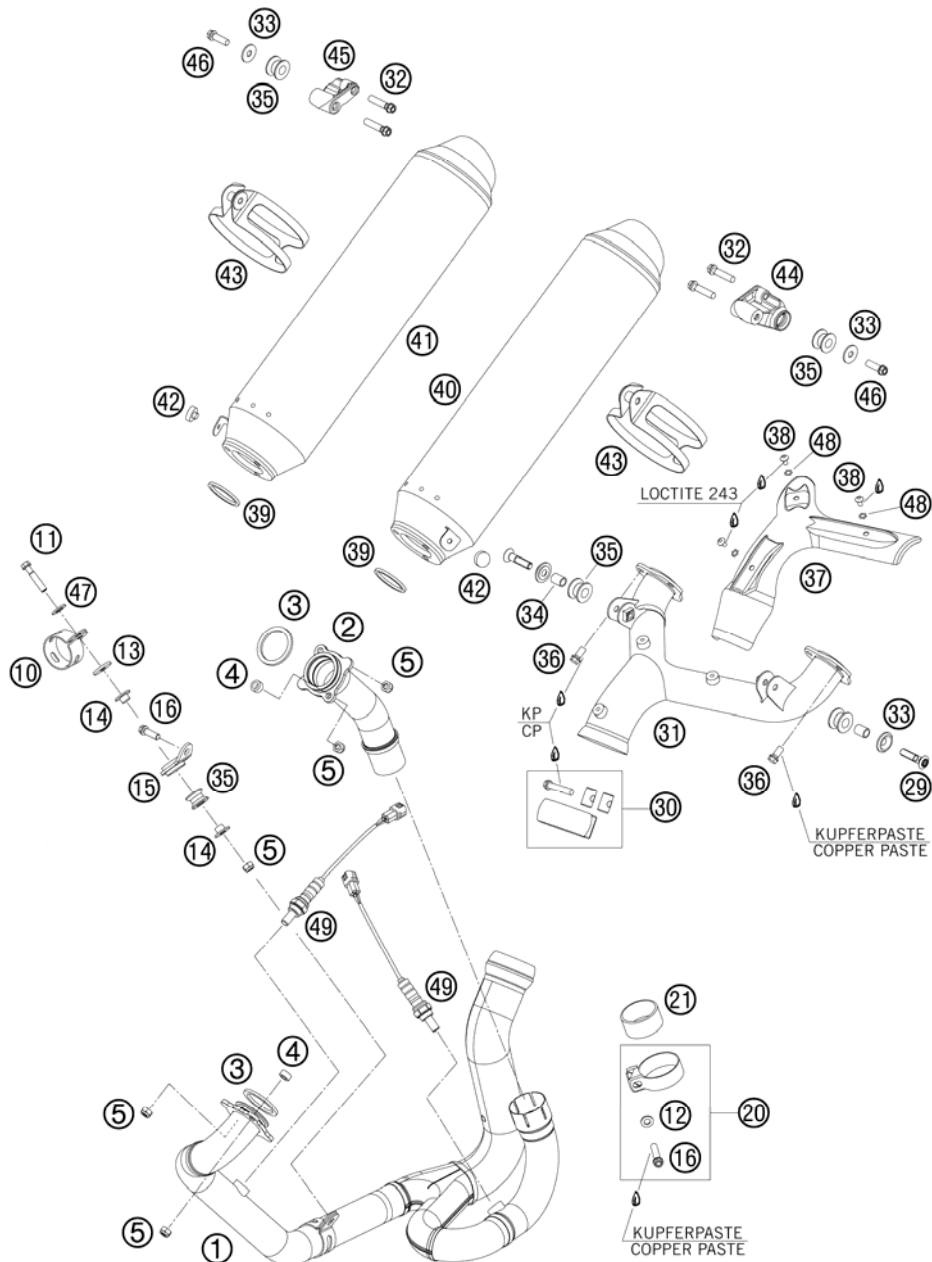
096260490 / C096260491

* NEW PART

X AS REQUIRED

EXHAUST SYSTEM

990 SUPERMOTO R EU 2009

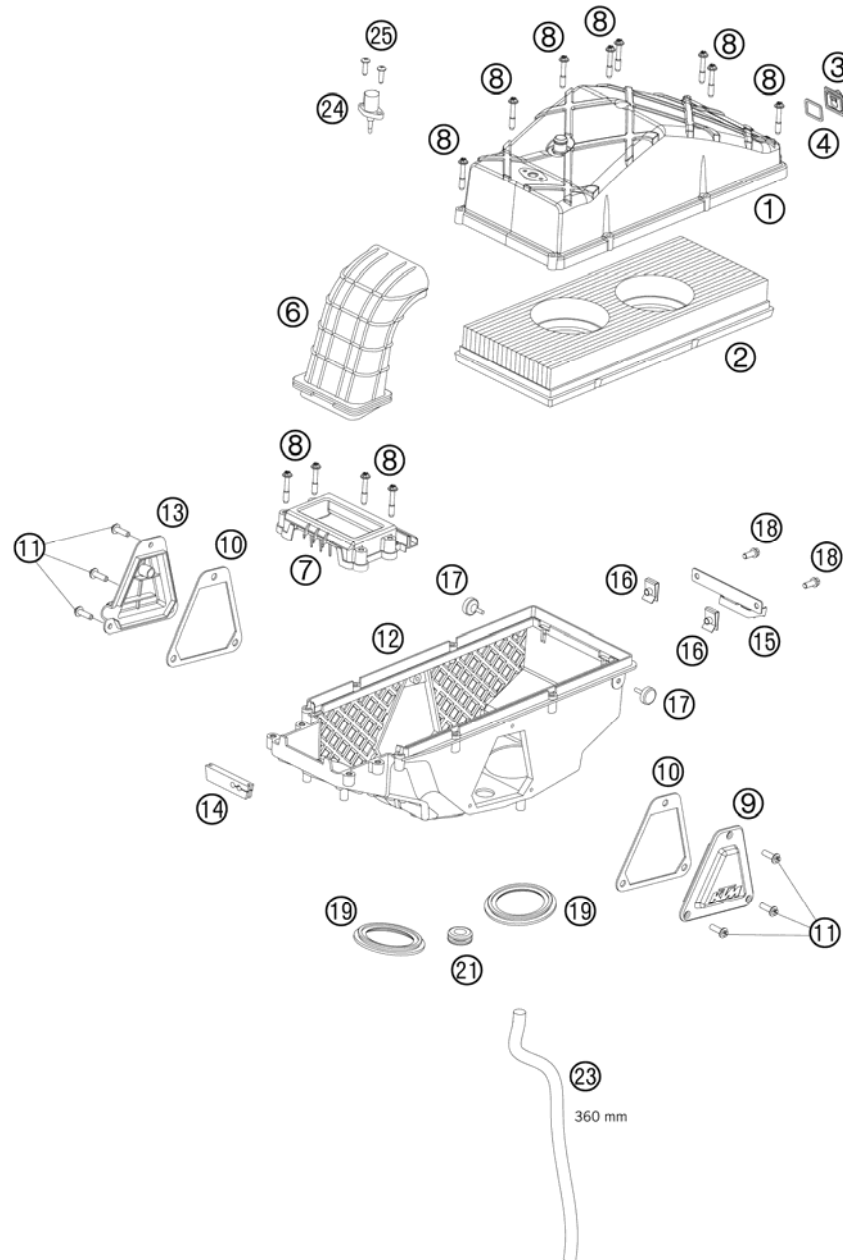


| FIG | PART NUMBER | DESCRIPTION | QTY |
|-----|----------------|--------------------------------|-----|
| 1 | 62605007000 | EXHAUST MANIFOLD | 1 |
| 2 | 61105008000 | EXHAUST PIPE REAR 07 | 1 |
| 3 | 61005005000 | EXHAUST GASKET 05 | 2 |
| 4 | 61005009000 | SPACER BUSH. 8,5X15X7,5 05 | 2 |
| 5 | 51010086100 | SELF LOCKING NUT M 8 CU | 5 |
| 10 | 61005007049 | CLAMP EXHAUST PIPE 05 | 1 |
| 11 | 0025080406 | HH COLLAR SCREW M8X40 TX40 | 1 |
| 12 | 0125080003 | WASHER DIN0125-A 8,4 | 1 |
| 13 | 51005067000 | INSULATE WASHER 8,5X28X3 | 1 |
| 14 | 58405050065 | COLLAR BUSH 8,5X12X23,5X10 | 2 |
| 15 | 62505015150 | EXHAUST PIPE BRACKET FRONT 07 | 1 |
| 16 | 0025080356 | HH COLLAR SCREW M8X35 TX40 | 2 |
| 20 | 61105051000 | EXHAUST CLAMP 52,2MM 07 | 1 |
| 21 | 58405005001 | GRAPHITRING 45X50X25 | 1 |
| 29 | 0019080356 | COUNTERSUNK SCREW ISA45 M8X35 | 2 |
| 30 | 61005052000 | EXHAUST CLAMP CPL. 05 | 1 |
| 31 | 62505048100 | DISTRIBUTOR TUBE 05 | 1 |
| 32 | 0025080306 | HH COLLAR SCREW M8X30 TX40 | 4 |
| 33 | 62603061000 | SPECIAL WASHER 8X24 ALU H=4,2 | 4 |
| 34 | 62505069000 | SPACER BUSH. 8,5X12X18MM 05 | 2 |
| 35 | 54305068100 | DAMP. COMPONENT SILICONE GREY | 4 |
| 36 | 0025080166 | HH COLLAR SCREW M8X16 TX40 | 6 |
| 37 | 62505047000 | THERMAL SHIELD 05 | 1 |
| 38 | 58605083010 | SCREW TORX M5X10 05 | 3 |
| 39 | 60005005002 | EXHAUST GASKET 03 | 2 |
| 40 | 62605082000 | SILENCER L/S 08 | 1 |
| 41 | 62605083000 | SILENCER R/S 08 | 1 |
| 42 | 54308042000 | RUBBER BUFFER | 2 |
| 43 | 60005095000 | CLAMP FOR SILENCER CPL. 03 | 2 |
| 44 | 6000508500001S | SILENCER/HANDLE HOLDER L/S 07 | 1 |
| 45 | 6000508600001S | SILENCER/HANDLE HOLDER R/S 07 | 1 |
| 46 | 0019080306S | COUNTER-SUNK SCREW ISA45 M8X30 | 2 |
| 47 | 0021080003 | WASHER DIN9021-A 8,4 | 1 |
| 48 | 0797050000 | TOOTH LOCK WASHER DIN6797-J | 3 |
| 49 | 61041090000 | LAMBDA SENSOR 05 | 2 |

096260510 / C096260511

* NEW PART

X AS REQUIRED



| FIG | PART NUMBER | DESCRIPTION | QTY |
|-----|-------------|--------------------------------|-----|
| 1 | 61006002000 | AIRBOX COVER 990 DUKE | 04 |
| 2 | 61006015000 | AIR FILTER EFI | 05 |
| 3 | 60006007000 | CONNECTOR FOR SAS LC8 | 03 |
| 4 | 60006007050 | GASKET SAS CONNECTOR | 03 |
| 6 | 60006040000 | INTAKE SNORKEL | 03 |
| 7 | 60006004000 | AIRBOX FRONT PART LC8 | 03 |
| 8 | 60006006000 | SPECIAL SCREW K60X35/15 | 03 |
| 9 | 60006003002 | AIRBOX COVER L/S R/S | 03 |
| 10 | 60006003050 | GASKET F. AIRBOX COVER L/S R/S | 03 |
| 11 | 0017060203 | EJOT PT SCREW K60X20 WS=6 | 03 |
| 12 | 61006001000 | FILTER BOX LOWER PART 990 | 05 |
| 13 | 61006003002 | AIRBOX COVER R/S EFI | 05 |
| 14 | 61006001030 | RUBBER SLEEVE F. THR. CABLE | 05 |
| 15 | 61006001020 | SAS-BRACKET PANEL | 05 |
| 16 | 54603048100 | RANGE CHANGE METAL NUT M6 | 05 |
| 17 | 60006001021 | DISTANCE RUBBER AIRBOX | 03 |
| 18 | 0025060166 | HH COLLAR SCREW M6X16 TX30 | 03 |
| 19 | 60036045000 | RUBBER SLEEVE AIRBOX | 03 |
| 21 | 60006001041 | RUBBER SLEEVE FUEL HOSE | 03 |
| 23 | 57005020001 | HOSE 10X14 PER METER | x |
| 24 | 61041080000 | AMBIENT-AIR TEMPERATURE SENSOR | 1 |
| 25 | 0081500181 | SCREW FOR PLASTIC D=5X18 | 2 |

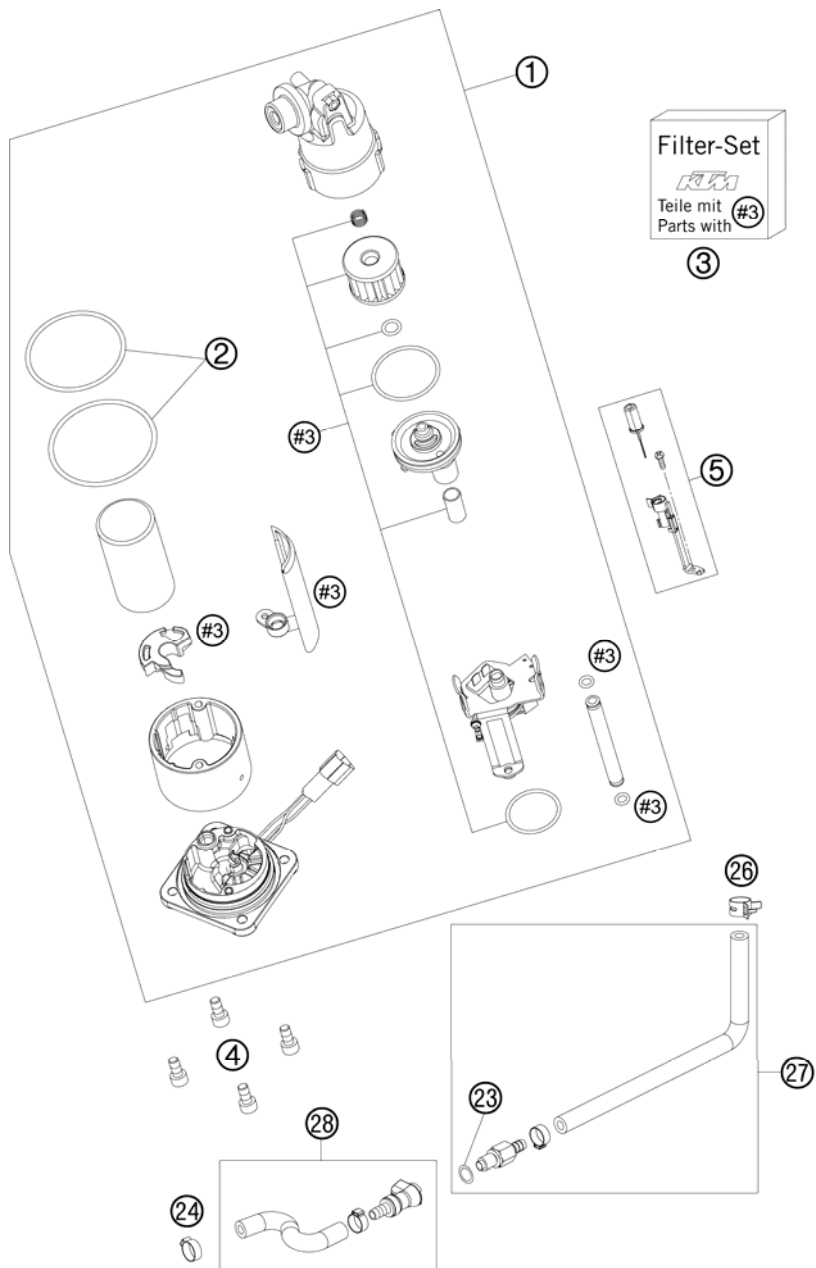
086260610 / C086260610

* NEW PART

X AS REQUIRED

FUEL PUMP

990 SUPERMOTO R EU 2009



| FIG | PART NUMBER | DESCRIPTION | QTY |
|-----|--------------|---|-----|
| 1 | 61007088200 | PUMP WITHOUT RESERVE INDICATOR REQUIRED: ITEM NUMBER 5 | 1 |
| 2 | 61007089000 | O-RING SET FOR FUEL PUMP 05 | 1 |
| 3 | 61007090000 | FILTER-SET FUEL PUMP 05 | 1 |
| 4 | 014580060166 | CYL. SCREW DIN14580 M 6X16 | 4 |
| 5 | 62612045000 | CONV. KIT FUEL RESERVE INDICAT | 1 |
| 23 | 58507012000 | O-RING VITON F. PLUG CPC 05 | 1 |
| 24 | 00050153706 | VARIABLE ONE-EAR CLAMP 15,3MM | 1 |
| 26 | 00049140121 | CLAMP STD DN14 | 1 |
| 27 | 61007016050 | FUEL HOSE 90° 1 CPL. 05 | 1 |
| 28 | 62607016044 | FUEL HOSE CPL. | 1 |

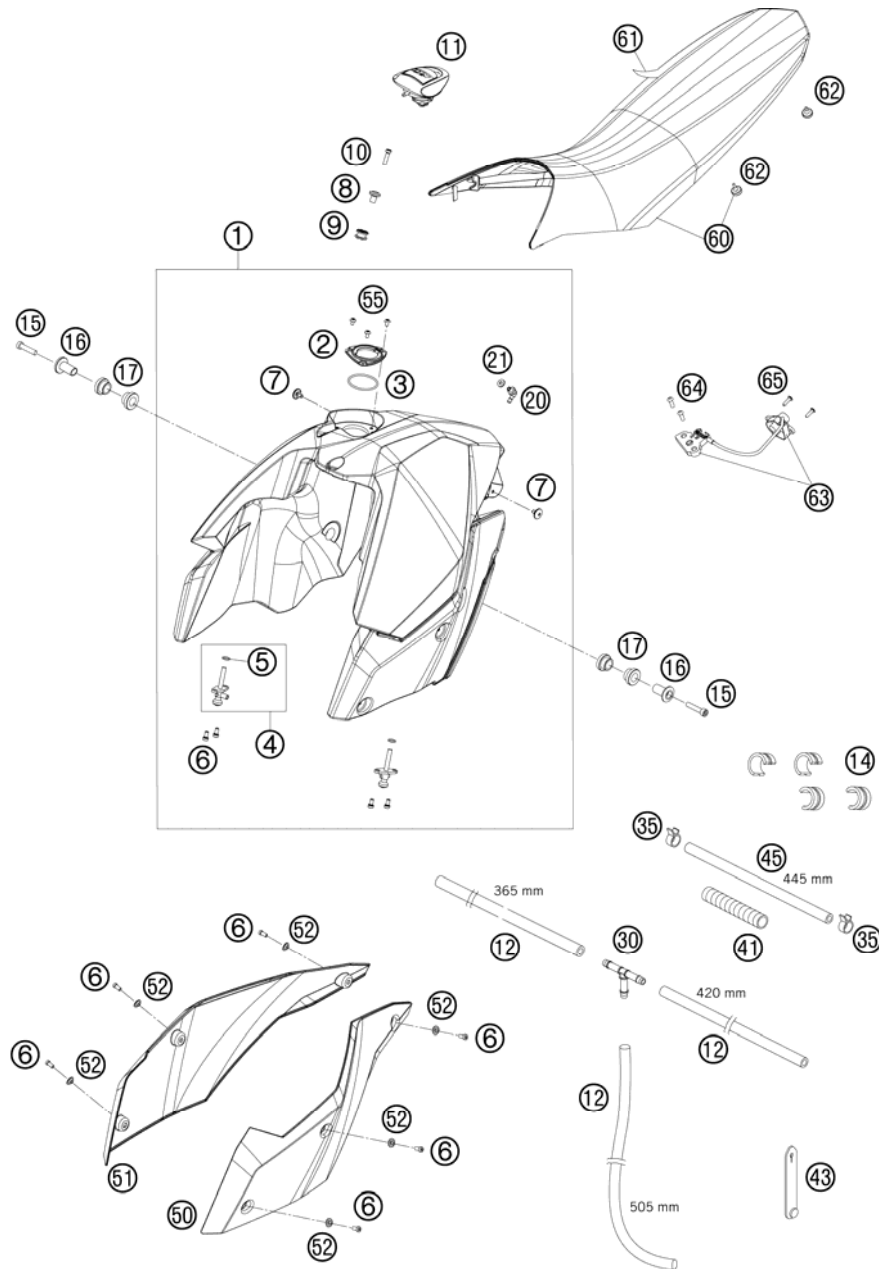
086260730 / C086260730

* NEW PART

X AS REQUIRED

TANK, SEAT, COVER

990 SUPERMOTO R EU 2009



| FIG | PART NUMBER | DESCRIPTION | QTY |
|-----|----------------|--------------------------------|-----|
| 1 | 6260711304420A | FUEL TANK CPL. WHITE | 1 |
| 2 | 76507008050 | CLOSURE FLANGE | 1 |
| 3 | 0770050030 | O-RING 50,00X3,00 VITON | 1 |
| 4 | 58507003000 | FUEL COCK CPL. SMALL RALLYE'96 | 2 |
| 5 | 55007006200 | O-RING 11X1,8 NBR 70 | 2 |
| 6 | 014580060126 | CYL. SCREW DIN14580 M 6X12 | 10 |
| 7 | 58407011100 | SCREW FOR SEAT M6X11,5/8 | 2 |
| 8 | 62607060000 | BEARING SLEEVE F. TANK 09 | 1 |
| 9 | 69007027000 | RUBBER SLEEVE TANK MOUNT 08 | 1 |
| 10 | 014580060256 | CYL. SCREW DIN14580 M 6X25 | 1 |
| 11 | 58407008300 | TANK PLUG | 1 |
| 12 | 60007026001 | HOSE NBR 5,4X9,4 PER METER | x |
| 14 | 61007014000 | SPACER FUEL TANK 05 | 4 |
| 15 | 0912080403 | AH SCREW DIN912 M8X40 | 2 |
| 16 | 61007060000 | BEARING BUSHING OUTSIDE 05 | 2 |
| 17 | 61007065000 | TANK RUBBER BUSHING FRONT 05 | 4 |
| 20 | 60007024000 | CONNECT.PIECE F.OVERFLOW M7 03 | 1 |
| 21 | 60007024050 | GASKET FOR CONNECTING PIECE 03 | 1 |
| 30 | 60015022000 | T-CONNECTOR TS-6 03 | 1 |
| 35 | 58031005000 | CLAMP YDNAC 10128 12MM | 2 |
| 41 | 62507016050 | THERMAL PROTECTION L=105MM 05 | 1 |
| 43 | 60011093045 | RUBBER CABLE TIE 45MM 03 | x |
| 45 | 60007216445 | HOSE 6X13 L=445 MM 08 | 1 |
| 50 | 6260815000030A | SPOILER L/S BLACK BRILL. | 1 |
| 51 | 6260815100030A | SPOILER R/S BLACK BRILL. | 1 |
| 52 | 60008045000 | SPECIAL WASHER D=16,5MM 03 | 6 |
| 55 | 58605083010 | SCREW TORX M5X10 05 | 3 |
| 60 | 6260704000004 | SEAT BLACK/ORANGE | 1 |
| 61 | 6260704005004 | SEAT COVER BLACK/ORANGE | 1 |
| 62 | 60006001021 | DISTANCE RUBBER AIRBOX 03 | 4 |
| 63 | 62607050000 | SEAT LOCK | 1 |
| 64 | 0738060181 | COU.SUNK SCR. AH ISO7380 M6X18 | 2 |
| 65 | 0081050181 | SCREW FOR PLASTIC K50X18 T20 | 2 |

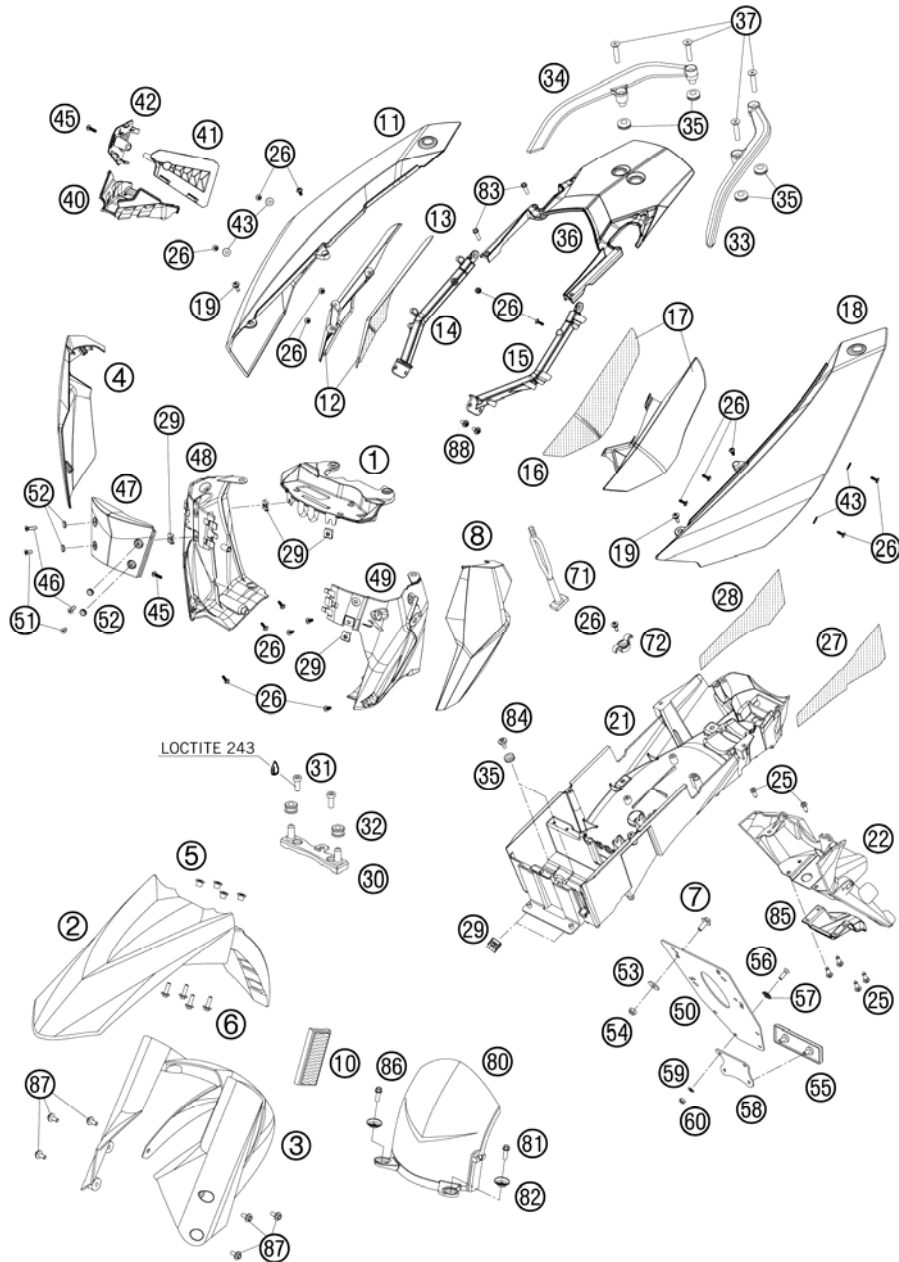
096260710 / C096260711

* NEW PART

X AS REQUIRED

MASK, FENDERS

990 SUPERMOTO R EU 2009

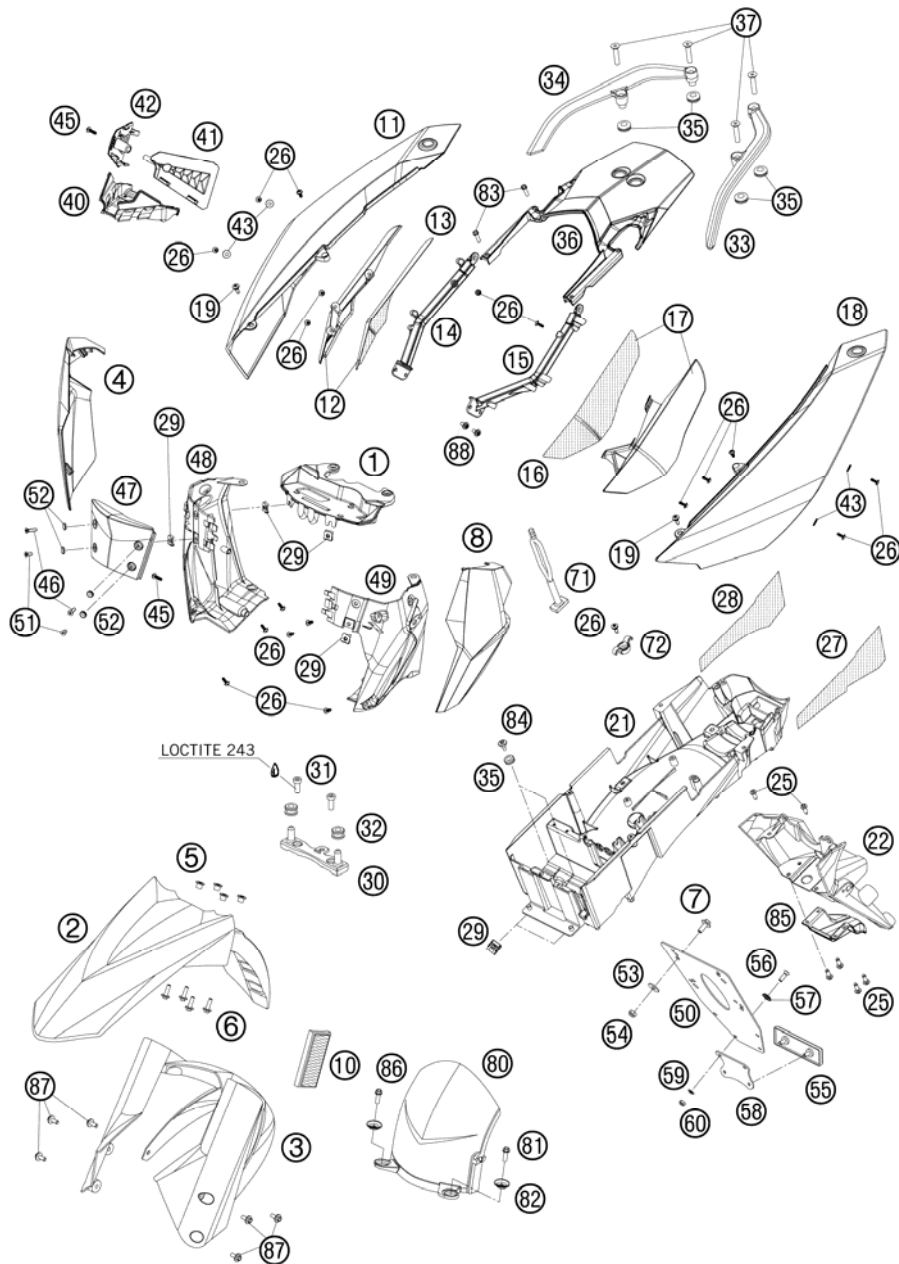


| FIG | PART NUMBER | DESCRIPTION | QTY |
|-----|----------------|---|-----|
| 1 | 62608006033 | SPEEDOMETER SUPPORT 08 | 1 |
| 2 | 6250801000033B | FRONT FENDER BLACK MATT | 1 |
| 3 | 62501094000 | SPLASH PROTECT. 05 | 1 |
| 4 | 6260800200033A | MASK SPOILER R/S BLACK MATT | 1 |
| 5 | 62508009000 | COLLAR BUSHING 7,2X10X15X8,5 | 4 |
| 6 | 0024060206 | HH COLLAR SCREW M6X20 TX30 | 4 |
| 7 | 0024060156 | HH COLLAR SCREW M6X15 TX30 | 4 |
| 8 | 6260800300033A | MASK SPOILER L/S BLACK MATT | 1 |
| 10 | 60012080000 | SIDE REFLECTOR YELLOW 03 ONLY FOR AUS/UK | x |
| 11 | 6260804210020A | SIDE COVER R/S REAR | 1 |
| 12 | 62605191033 | HEAT PROTECTION R/S CPL. | 1 |
| 13 | 62605191050 | HEAT PROTECTION FOIL R/S | 1 |
| 14 | 62608042150 | SUPPORT SIDECOVER RS REAR 09 | 1 |
| 15 | 62608041150 | SUPPORT SIDE COVER LS REAR 09 | 1 |
| 16 | 62605190050 | HEAT PROTECTION FOIL L/S | 1 |
| 17 | 62605190033 | HEAT PROTECTION L/S CPL. | 1 |
| 18 | 6260804110020A | SIDE COVER L/S REAR | 1 |
| 19 | 69008021060 | SPECIAL SCREW M5X17 | 2 |
| 21 | 62508019400 | REAR END LOWER PART 08 | 1 |
| 22 | 62508015000 | NUMB.Plate CARRIER 05 | 1 |
| 25 | 0017060203 | EJOT PT SCREW K60X20 WS=6 | 6 |
| 26 | 0081050121 | SCREW FOR PLASTIC K50X12 T20 | 19 |
| 27 | 62508019250 | THERMAL PROTECTON FOIL L/S 07 | 1 |
| 28 | 62508019360 | THERMAL PROTECTON FOIL R/S 07 | 1 |
| 29 | 54603048200 | RANGE CHANGE METAL NUT M5 | 8 |
| 30 | 62514064000 | MASK SUPPORT BOTTOM 05 | 1 |
| 31 | 014580060166 | CYL. SCREW DIN14580 M 6X16 | 2 |
| 32 | 60039030000 | VIBRATION DAMPER DIGITALBOX 03 | 2 |
| 33 | 6301210800033S | GRIP L/S BLACK MATT | 1 |
| 34 | 6301210900033S | GRIP R/S BLACK MATT | 1 |
| 35 | 41001052000 | RUBBER SLEEVE D=12MM | 4 |
| 36 | 6260801300030 | FENDER REAR BLACK 08 | 1 |
| 37 | 0019080456 | COUNTERSUNK SCREW ISA45 M5X45 | 4 |
| 40 | 60003087000 | SPLASH PROTECTOR FRAME 05 | 1 |
| 41 | 62603085000 | COVER STEARING HEAD UP.L/S | 1 |

096260811 / C096260811

* NEW PART

X AS REQUIRED



| FIG | PART NUMBER | DESCRIPTION | QTY |
|-----|-------------|--------------------------------|-----|
| 42 | 62603086000 | COVER STEERING HEAD UP.R/S | 1 |
| 43 | 75008023000 | WASHER REAR-UT D=14MM | 1 |
| 45 | 0081050181 | SCREW FOR PLASTIC K50X18 T20 | 2 |
| 46 | 0019050201 | COUNTERSUNK SCREW ISA25 M5X20 | 2 |
| 47 | 62608001000 | MASK FRONT PART | 08 |
| 48 | 62608004000 | MASK REAR PART R/S | 08 |
| 49 | 62608005000 | MASK REAR PART L/S | 08 |
| 50 | 60012081200 | LICENCE FITTING | 06 |
| 51 | 0019050121 | COUNTERSUNK SCREW ISA25 M5X12 | 2 |
| 52 | 60008046000 | SPECIAL WASHER D=12MM | 03 |
| 53 | 0021060003 | WASHER DIN9021-A 6,4 | 4 |
| 54 | 0985060003 | SELF LOCK. NUT DIN0985-M 6 | 4 |
| 55 | 58412080000 | REFLECTOR RED LC4 '98 | 1 |
| 56 | 0966050163 | OVAL HEAD SCREW DIN0966-M 5X16 | 2 |
| 57 | 40006006000 | WASHER 6MM | 2 |
| 58 | 58412080050 | BRACKET FOR REFLECTOR | 1 |
| 59 | 0125050003 | WASHER DIN0125-A 5,3 | 2 |
| 60 | 0985050003 | SELF LOCKING NUT DIN0985-M 5 | 2 |
| 71 | 50303018000 | RUBBER L=145MM | 1 |
| 72 | 62508021000 | SUPPORT TOOL SET | 05 |
| 80 | 61008014000 | SPLASH PROTECT. | 05 |
| 81 | 59009062016 | SPECIAL SCREW M6X16 WS=8 10.9 | 1 |
| 82 | 72210079000 | BUCKET | 2 |
| 83 | 0025060126 | HH COLLAR SCREW M6X12 TX30 | 4 |
| 84 | 60035001000 | SPECIAL SCREW M6X21 WS=8 | 2 |
| 85 | 62608015001 | COVER NUMB. PLATE CARRIER | 1 |
| 86 | 59009062013 | SPECIAL SCREW M6X13 WS=8 10.9 | 1 |
| 87 | 69014017000 | SPECIAL SCREW M6X18 ISA30 08 | 6 |
| 88 | 0024060136 | HH COLLAR SCREW M6X13 TX30 | 4 |

096260811 / C096260811

* NEW PART

X AS REQUIRED

DECAL

990 SUPERMOTO R EU 2009

| FIG | PART NUMBER | DESCRIPTION | QTY |
|-----|-------------|-----------------------|-----|
| 1 | 62608099200 | DECAL SET 990 SM-R 09 | 1 |

①



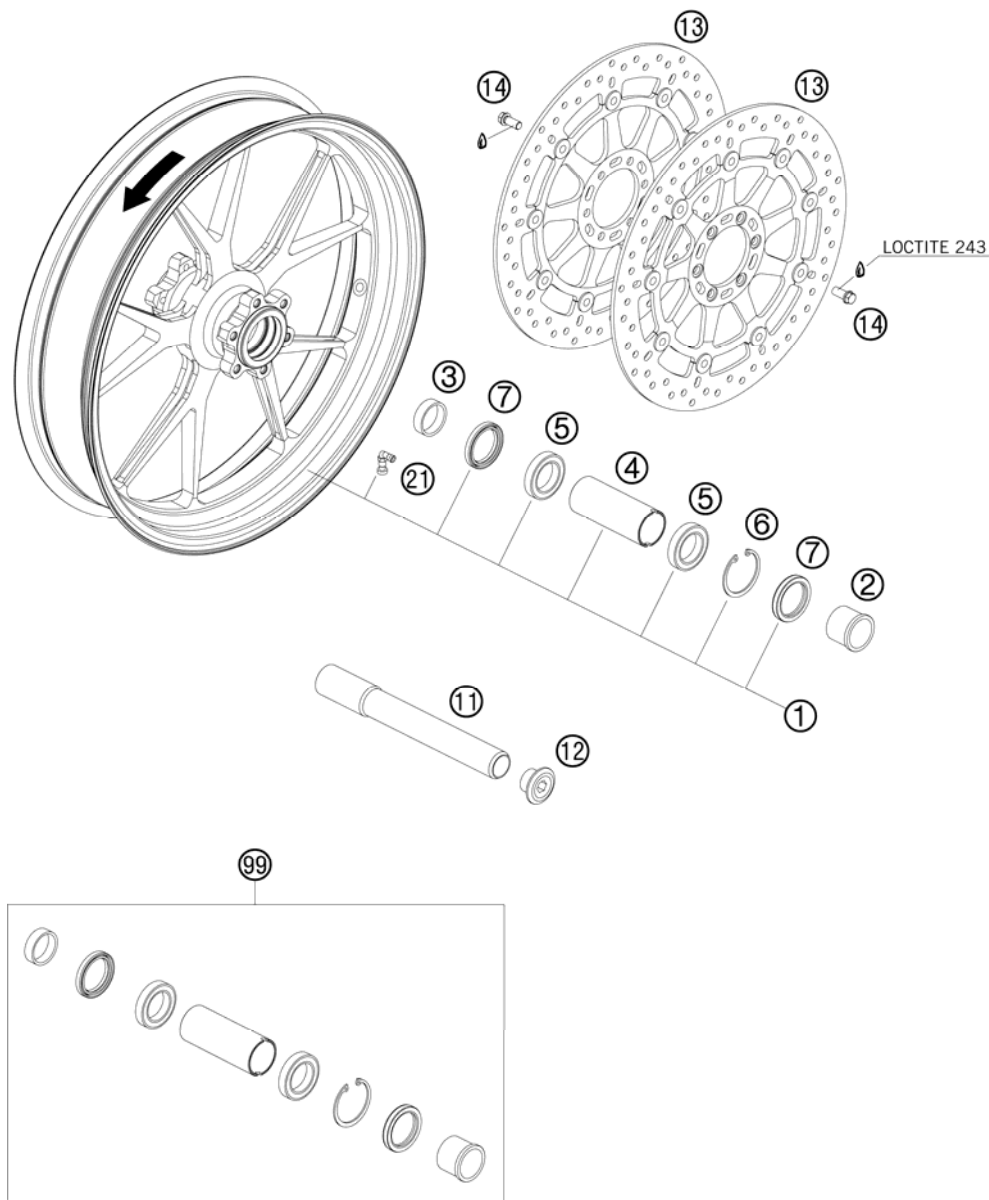
096260832 / C096260832

* NEW PART

X AS REQUIRED

FRONT WHEEL

990 SUPERMOTO R EU 2009



| FIG | PART NUMBER | DESCRIPTION | QTY |
|-----|---------------|--------------------------------|-----|
| 1 | 6260900104430 | FRONT WHEEL CPL. 990 SM-R 09 | 1 |
| 2 | 61009012000 | SPACER BUSH. FR. WHEEL L/S 05 | 1 |
| 3 | 60009013000 | SPACER BUSH. FR. WHEEL R/S 03 | 1 |
| 4 | 62609011000 | BEARING SPACER TUBE FRONT | 1 |
| 5 | 0625069068 | GR.BALL BEAR.6906 DDU2CG23S6NM | 2 |
| 6 | 0472048175 | LOCK RING DINO472-48X1,75 | 1 |
| 7 | 0760354771 | SHAFT SEAL RING 35X47X7 TC | 2 |
| 11 | 61009081000 | WHEEL SPINDEL FRONT 05 | 1 |
| 12 | 61009082000 | AH SCREW M25X1,5 WS=12 05 | 1 |
| 13 | 6250906000030 | BRAKE DISK D=305MM 07 | 2 |
| 14 | 61009062018 | SPECIAL SCREW M8X18 05 | 12 |
| 21 | 61009076000 | VALVE ANGLED 90° 05 | 1 |
| 99 | 69109015000 | FRONT WHEEL REPAIR KIT 09 | 1 |

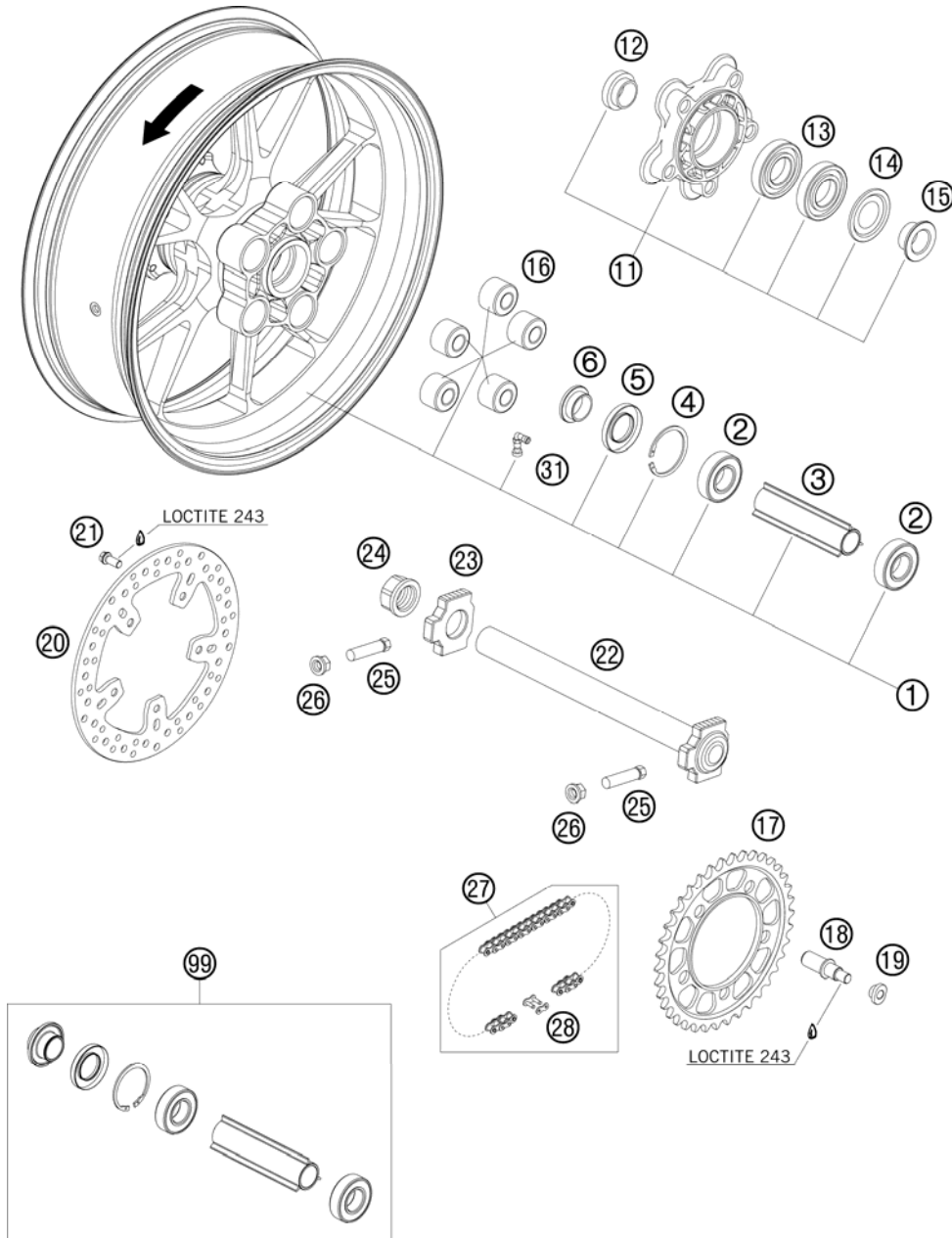
096260910 / C096260910

* NEW PART

X AS REQUIRED

REAR WHEEL

990 SUPERMOTO R EU 2009

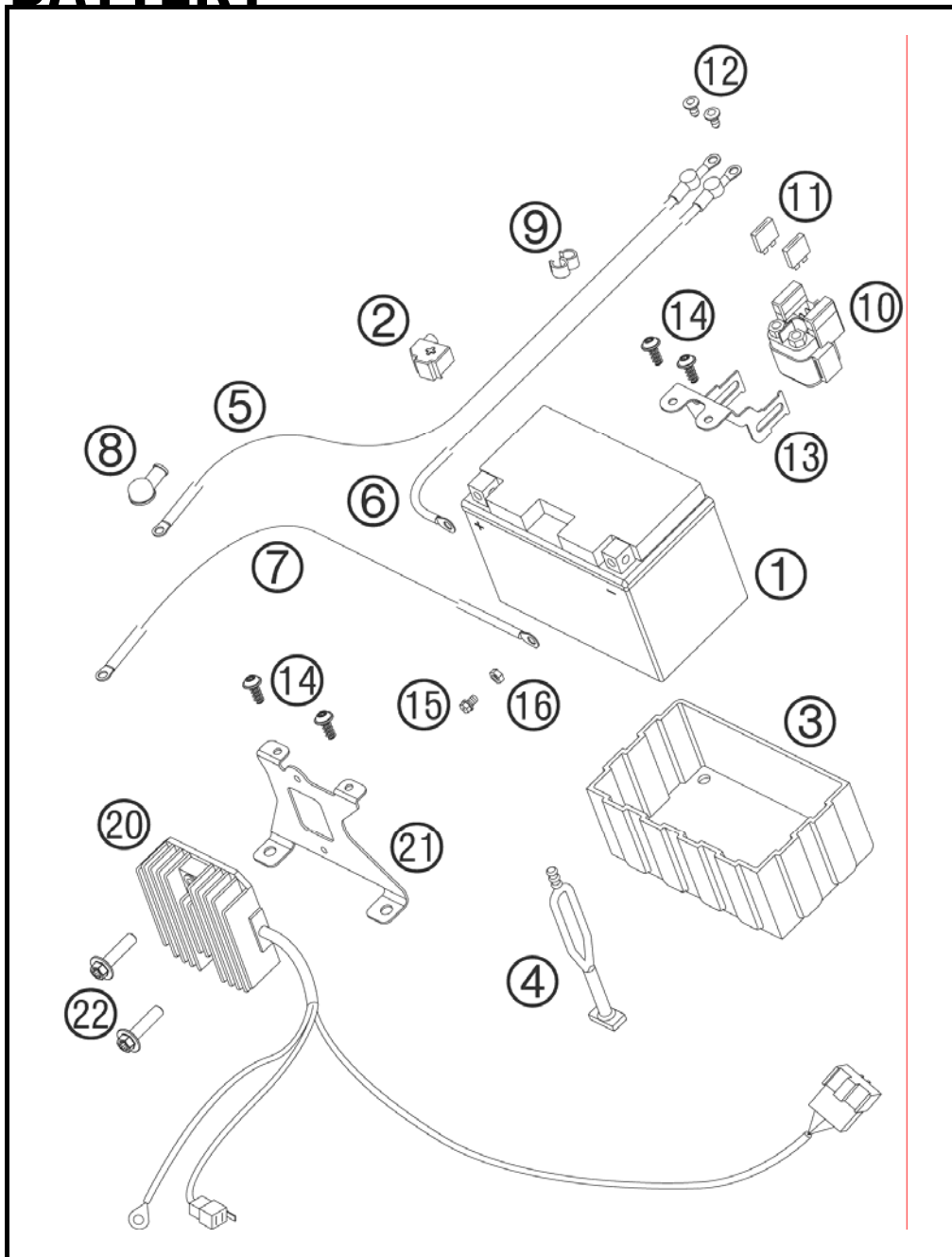


| FIG | PART NUMBER | DESCRIPTION | QTY |
|-----|---------------|--------------------------------|-----|
| 1 | 6261000104430 | REAR WHEEL CPL. 990 SM-R 09 | 1 |
| 2 | 0625062052 | GR.BALL BEAR. 6205-2RSHC3HMTF7 | 2 |
| 3 | 61010011000 | BEARING SPACER TUBE REAR 05 | 1 |
| 4 | 0472052200 | CIRCLIP DIN0472-52X2 | 1 |
| 5 | 0760305271 | SHAFT SEAL RING 30X52X7 | 1 |
| 6 | 60010013000 | SPACER BUSH. REAR WHEEL R/S 03 | 1 |
| 11 | 61010050144 | SPROCKET SUPPORT CPL. 06 | 1 |
| 12 | 60110014000 | SPACER BUSH. SPR. SUPP. IN. 06 | 1 |
| 13 | 0625060060 | BALL BEARING 6006 DDU2CG23S6NM | 2 |
| 14 | 60110016000 | NILOS RING 6006AV | 1 |
| 15 | 60110012000 | SPACER BUSH. SPROCKET SUPP. 06 | 1 |
| 16 | 61010059000 | DAMPING RUBBER 05 | 5 |
| 17 | 61010051138 | REAR SPROCKET 38-T STEEL 05 | x |
| 17 | 61010051139 | REAR SPROCKET 39-T STEEL 05 | x |
| 17 | 61010051140 | REAR SPROCKET 40-T STEEL 05 | x |
| 17 | 61010051141 | REAR SPROCKET 41-T STEEL 05 | 1 |
| 17 | 61010051142 | REAR SPROCKET 42-T STEEL 05 | x |
| 18 | 61010056000 | BOLT FOR SPROCKET SUPPORT 05 | 5 |
| 19 | 61010057000 | NUT REAR SPROCKET 05 | 5 |
| 20 | 61010060000 | BRAKE DISK REAR D=240MM 05 | 1 |
| 21 | 61009062018 | SPECIAL SCREW M8X18 05 | 5 |
| 22 | 60010081044 | WHEEL SPINDLE REAR CPL. 03 | 1 |
| 23 | 60010084000 | CHAIN TENSIONER R/S LC8 03 | 1 |
| 24 | 61010086000 | COLLAR NUT M25X1,5 WS=32 05 | 1 |
| 25 | 50304040100 | SCREW M10X1,25X50 WS=10 | 2 |
| 26 | 58414030000 | HH COLLAR NUT M10X1,25 WS=13 | 2 |
| 27 | 60010165118 | CHAIN 525 WITH MASTER LINK 03 | 1 |
| 28 | 60010066000 | MASTER LINK FOR CHAIN 525 03 | x |
| | | NEEDS RIVET TOOL | |
| 31 | 61009076000 | VALVE ANGLED 90° 05 | 1 |
| 99 | 61010015000 | REAR WHEEL REP. KIT | 1 |

096261010 / C096261010

* NEW PART

X AS REQUIRED



| FIG | PART NUMBER | DESCRIPTION | QTY |
|-----|-------------|------------------------------|-----|
| 1 | 60011053000 | BATTERY 12V/11AH | 03 |
| 2 | 62511059160 | COVER POSITIVE POLE | 06 |
| 3 | 58411053050 | BATTERY COVER | 96 |
| 4 | 50303018000 | RUBBER L=145MM | |
| 5 | 62511059000 | STARTER CABLE L=650MM | 05 |
| 6 | 62511059050 | BATTERY CABLE L=125MM | 05 |
| 7 | 62511097000 | GROUND CABLE L=650MM | 05 |
| 8 | 60040009000 | RUBBER CAP STARTER PORT | 03 |
| 9 | 55011022100 | CLAMP D=6/8MM, BLACK | |
| 10 | 58211058000 | STARTER RELAY 12V '99 | |
| 11 | 58011109130 | FUSE 30 A | x |
| 12 | 0902060083 | AH OVAL SCREW ISO 7380 M 6X8 | 2 |
| 13 | 62511058050 | BRACKET START RELAY | 05 |
| 14 | 0081050121 | SCREW FOR PLASTIC K50X12 T20 | 4 |
| 15 | 0024060106 | HH COLLAR SCREW M6X10 TX30 | 2 |
| 16 | 0934060003 | HEXAGON NUT DIN0934-M 6 | 2 |
| 20 | 62511034100 | VOLTAGE REGULATOR | 1 |
| 21 | 62511037000 | BRACKET VOLTAGE REGULATOR | 05 |
| 22 | 0024060256 | HH COLLAR SCREW M6X25 TX30 | 2 |

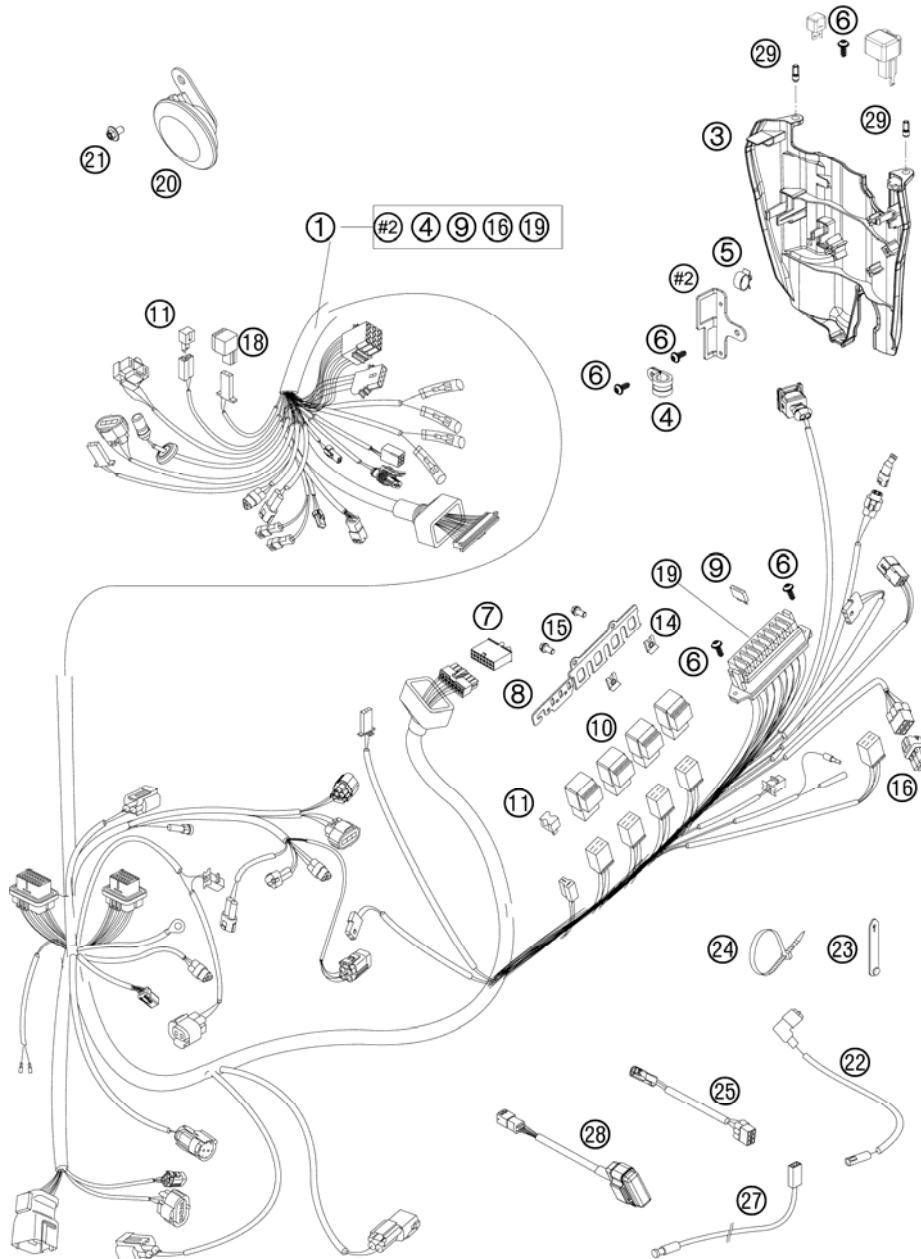
086261130 / C086261130

* NEW PART

X AS REQUIRED

WIRING HARNESS

990 SUPERMOTO R EU 2009



| FIG | PART NUMBER | DESCRIPTION | QTY |
|-----|-------------|-------------------------------|-----|
| 1 | 62611075000 | MAIN WIRING HARNESS 990 SM 08 | 1 |
| 3 | 62608032000 | BRACKET FOR PLUGS CPL. 08 | 1 |
| 4 | 59007439000 | CLAMP RSGU 18/15 03 | 1 |
| 5 | 57013072100 | WIRING HOLDER 16MM | 1 |
| 6 | 0081050121 | SCREW FOR PLASTIC K50X12 T20 | 5 |
| 7 | 61011075020 | DUMMY PLUG ALARM SYSTEM 05 | 1 |
| 8 | 62511057050 | BRACKET RELAY 05 | 1 |
| 9 | 58011109110 | FUSE 10 A 2000 | x |
| 9 | 58011109115 | FUSE 15 A | x |
| 10 | 61111057000 | RELAY CM1A-R-12V-H80 07 | 4 |
| 11 | 58411096100 | DIODE S3H-15 97 | 2 |
| 14 | 54603048200 | RANGE CHANGE METAL NUT M5 | 2 |
| 15 | 0025050126 | HH COLLAR SCREW M5X12 TX30 | 2 |
| 16 | 000700000BH | SPARE CONNECTOR BH 6-PINS | 1 |
| 18 | 44611207200 | FLASHER UNIT 97 | 1 |
| 19 | 58511075510 | FUSE-BOX COVER | 1 |
| 20 | 62511060000 | DC HORN 05 | 1 |
| 21 | 0024060156 | HH COLLAR SCREW M6X15 TX30 | 1 |
| 22 | 60011092000 | OIL-PRESSURE SWITCH CABLE 03 | 1 |
| 23 | 60011093045 | RUBBER CABLE TIE 45MM 03 | x |
| 23 | 60011093075 | RUBBER CABLE TIE 75MM 03 | x |
| 24 | 44011076100 | CABLE TIE 100/2,5MM BLACK | x |
| 24 | 44011076200 | CABLE TIE 200/3,6MM BLACK | x |
| 25 | 62611047000 | CABLE FOR ROLLOVER SENSOR 08 | 1 |
| 27 | 61111018000 | TEMPERATURE SENSOR 07 | 1 |
| 28 | 61111020000 | STARTER INTERLOCK | 1 |
| 29 | 62608032050 | STYLUSES FOR COVER | 2 |

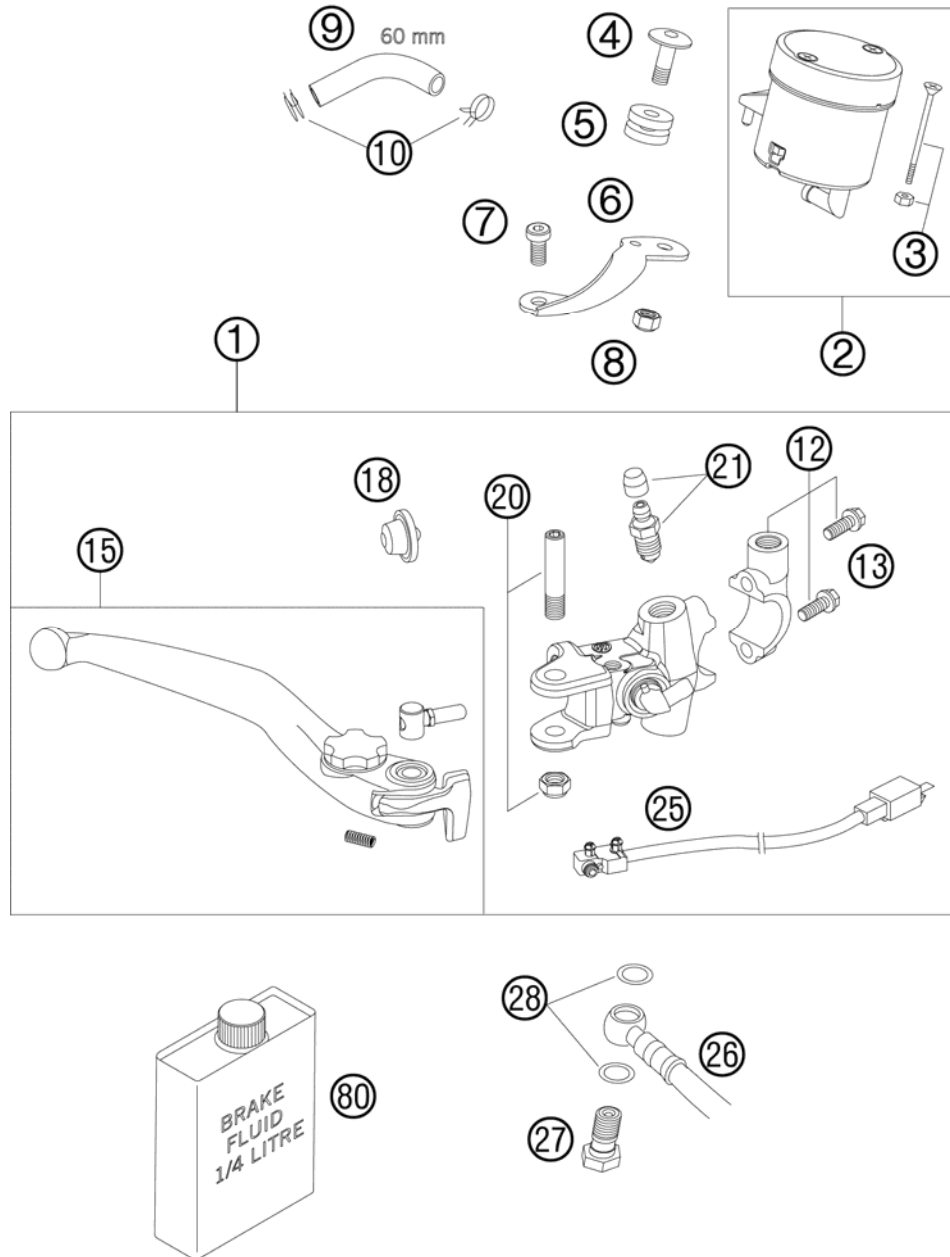
086261110 / C096261110

* NEW PART

X AS REQUIRED

HAND BRAKE CYLINDER

990 SUPERMOTO R EU 2009



| FIG | PART NUMBER | DESCRIPTION | QTY |
|-----|---------------|--------------------------------|-----|
| 1 | 62513001100 | HAND BRAKE CYLINDER 07 | 1 |
| 2 | 61013009002 | BRAKE FLUID RESERVOIR CPL. | 1 |
| 3 | 61013009003 | SCREW + NUT FOR RESERVOIR | 2 |
| 4 | 61013013050 | SCREW RET.PANEL-RESERVOIR | 1 |
| 5 | 61013013000 | RUBBER BUSH 05 | 1 |
| 6 | 61013009001 | RET.PANEL FLUID RES. FRONT 05 | 1 |
| 7 | 61013021000 | SCREW RET.PANEL-BRAKE CYLINDER | 1 |
| 8 | 61013009004 | NUT FOR RESERVOIR | 1 |
| 9 | 58007016101 | HOSE FOR RESERVOIR 6X1,5 | 1 |
| 10 | 58007017000 | YDNAC CLAMP 10101 (9MM) | 2 |
| 12 | 61013005000 | CLAMP CPL. 05 | 1 |
| 13 | 0025060256 | HH COLLAR SCREW M6X25 TX30 | 2 |
| 15 | 62513002144 | HAND BRAKE LEVER CPL. 07 | 1 |
| 18 | 61013008000 | RUBBER CUP 05 | 1 |
| 20 | 61013006000 | LEVER SCREW CPL. 05 | 1 |
| 21 | 60013020000 | BLEEDER SCREW WITH CAP | 1 |
| 25 | 61011050000 | BRAKE LIGHT SWITCH FRONT 05 | 1 |
| 26 | 6261301200030 | BRAKE HOSE FRONT CPL. 09 | 1 |
| 27 | 69013025000 | HOLLOW SCREW M10X1X19 SW12 | 1 |
| 28 | 0603100141 | COPPER GASKET DIN7603-10X14X1 | 2 |
| 80 | 00062030000 | BRAKE FLUID DOT5.1 0,25L | 1 |

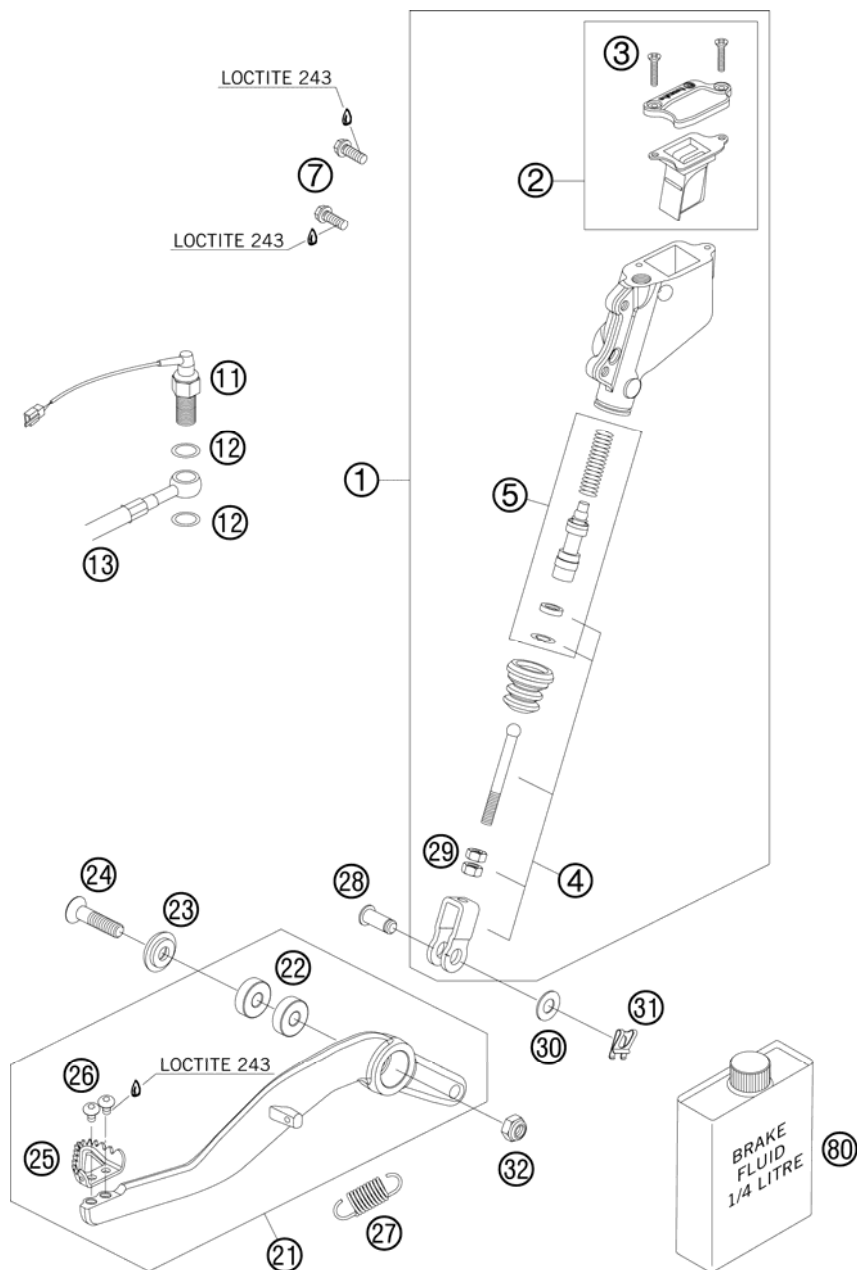
086261310 / C096261310

* NEW PART

X AS REQUIRED

REAR BRAKE CONTROL

990 SUPERMOTO R EU 2009



| FIG | PART NUMBER | DESCRIPTION | QTY |
|-----|----------------|--------------------------------|-----|
| 1 | 60013060200 | MAIN BRAKE CYLINDER CPL. 07 | 1 |
| 2 | 60013059100 | COVER MAIN BRAKE CYLINDER CPL. | 1 |
| 3 | 0965040161 | FLAT HEAD SCREW DIN0965-M 4X16 | 2 |
| 4 | 60013056044 | PUSH ROD CPL. '03 | 1 |
| 5 | 60013061000 | REPAIR KIT PISTON 03 | 1 |
| 7 | 59009062016 | SPECIAL SCREW M6X16 WS=8 10.9 | 2 |
| 11 | 50311051100 | BRAKE LIGHT SWITCH REAR '98 | 1 |
| 12 | 0603100141 | COPPER GASKET DIN7603-10X14X1 | 2 |
| 13 | 6251307200030 | BRAKE HOSE REAR 07 | 1 |
| 21 | 6251305004401S | FOOT BRAKE LEVER CPL. 07 | 1 |
| 22 | 0625006087 | GROOVED BALL BEAR. 608 2RS C3 | 2 |
| 23 | 62603062000 | SPECIAL WASHER 8X24 ALU H=2,6 | 1 |
| 24 | 0019080356 | COUNTERSUNK SCREW ISA45 M8X35 | 1 |
| 25 | 54813051100 | STEP PLATE FOR BRAKE LEVER | 1 |
| 26 | 58605083010 | SCREW TORX M5X10 05 | 2 |
| 27 | 54603062000 | RETURN SPRING FOR BRAKE LEVER | 1 |
| 28 | 60013057000 | BOLT F. LINK FORK 8X20X16,5 | 1 |
| 29 | 0934060003 | HEXAGON NUT DIN0934-M 6 | 2 |
| 30 | 0125080003 | WASHER DIN0125-A 8,4 | 1 |
| 31 | 60013058000 | SECURING CLIP D=8MM 03 | 1 |
| 32 | 0985080003 | SELF LOCKING NUT DIN0985-M 8 | 1 |
| 80 | 00062030000 | BRAKE FLUID DOT5.1 0,25L | 1 |

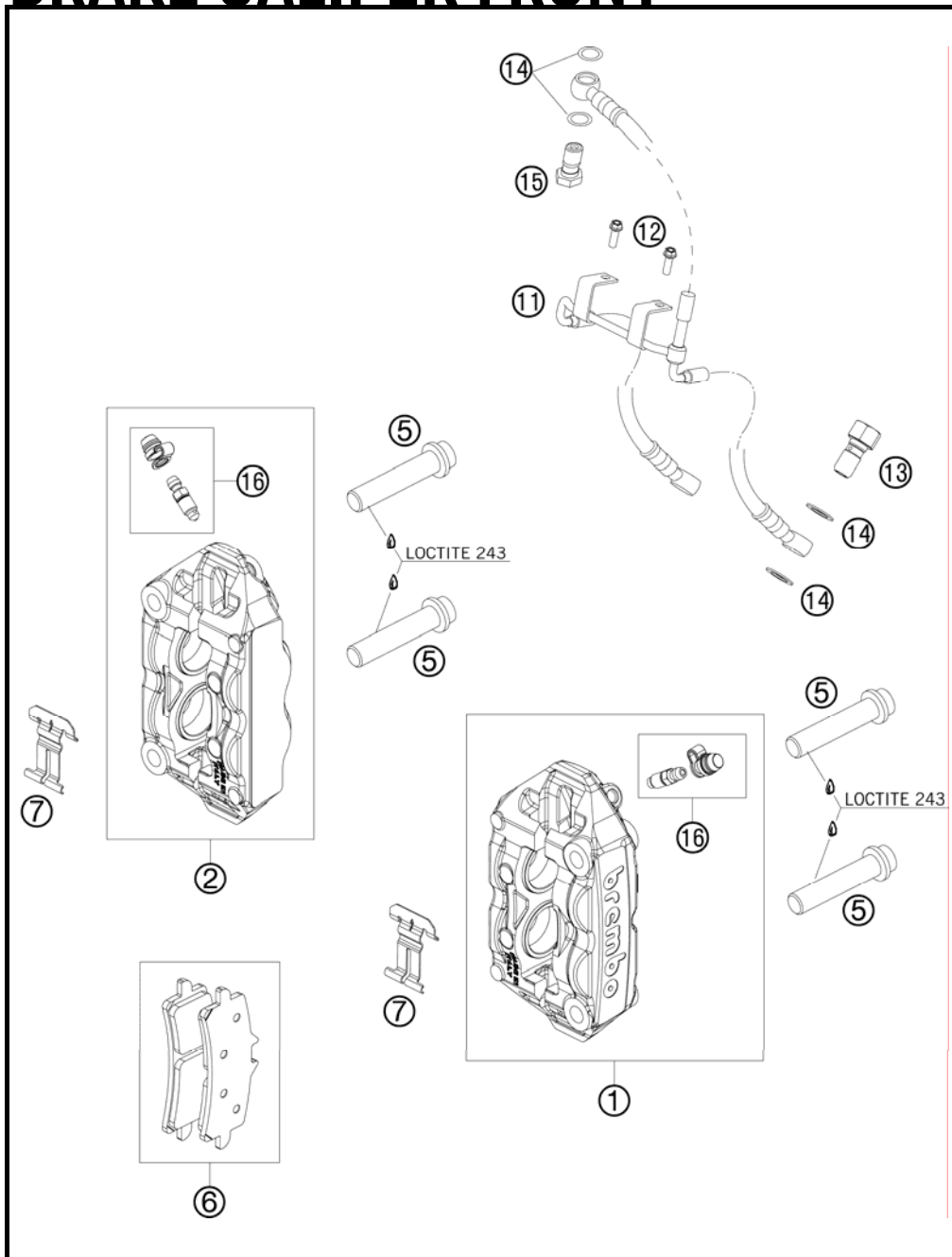
086261330 / C096261330

* NEW PART

X AS REQUIRED

BRAKE CALIPER FRONT

990 SUPERMOTO R EU 2009



| FIG | PART NUMBER | DESCRIPTION | QTY |
|-----|---------------|--------------------------------|-----|
| 1 | 69013015001 | BRAKE CAL. L/S - WITHOUT PADS | 1 |
| 2 | 69013016001 | BRAKE CAL. R/S - WITHOUT PADS | 1 |
| 5 | 0035100559 | AH-COLLAR SCREW M10X1,25X55 | 4 |
| 6 | 69013030000 | BRAKE-PADS FRONT TOSH.TT2172HH | 1 |
| 7 | 69013018000 | SPRING PLATE | 2 |
| 11 | 6261301200030 | BRAKE HOSE FRONT CPL. 09 | 1 |
| 12 | 0025060126 | HH COLLAR SCREW M6X12 TX30 | 2 |
| 13 | 54813020100 | HOLLOW SCREW BLACK M10X1X19 | 2 |
| 14 | 0603100141 | COPPER GASKET DIN7603-10X14X1 | 6 |
| 15 | 69013025000 | HOLLOW SCREW M10X1X19 SW12 | 1 |
| 16 | 61013020100 | BLEEDER SCREW WITH CAP | 2 |

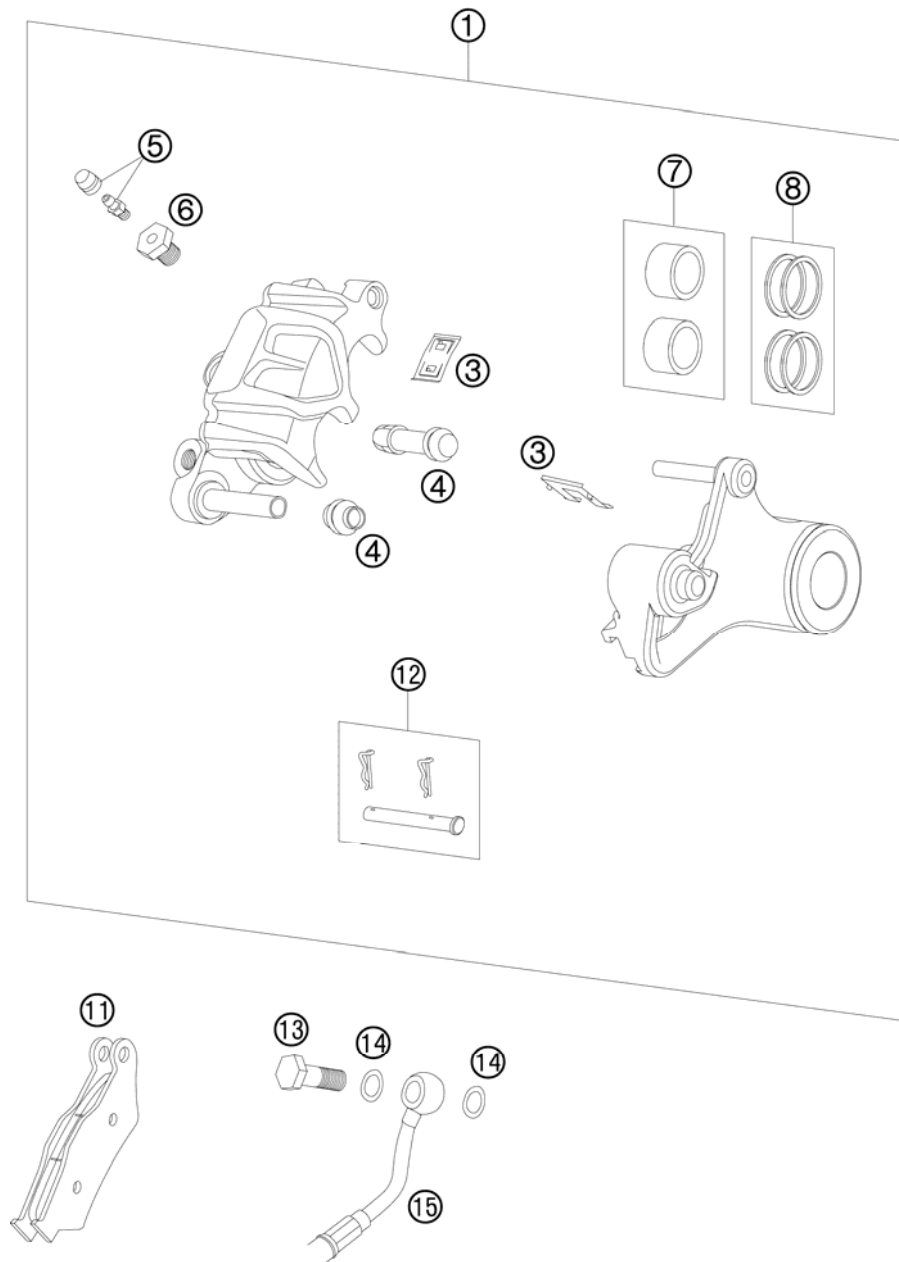
096261361 / C096261360

* NEW PART

X AS REQUIRED

BRAKE CALIPER REAR

990 SUPERMOTO R EU 2009



| FIG | PART NUMBER | DESCRIPTION | QTY |
|-----|---------------|--------------------------------|-----|
| 1 | 6001308000130 | CALIPER REAR WITHOUT PADS | 1 |
| 3 | 60013018100 | RETAINING PLATE SET REAR 03 | 1 |
| 4 | 54613218000 | CUP SET SHORT | 1 |
| 5 | 60013020200 | BLEEDER SCREW WITH CAP M6 | 1 |
| 6 | 60013020100 | ADAPTER SCREW | 1 |
| 7 | 60013083200 | BRAKE PISTONS 05 | 1 |
| 8 | 60013081000 | REP.KIT SEALINING RINGS | 1 |
| 11 | 50313030200 | BRAKEP.SET FR.TOSHIBA TT2701HH | 1 |
| 12 | 77013017000 | BOLT CPL. 09 | 1 |
| 13 | 54813020100 | HOLLOW SCREW BLACK M10X1X19 | 1 |
| 14 | 0603100141 | COPPER GASKET DIN7603-10X14X1 | 2 |
| 15 | 6251307200030 | BRAKE HOSE REAR 07 | 1 |

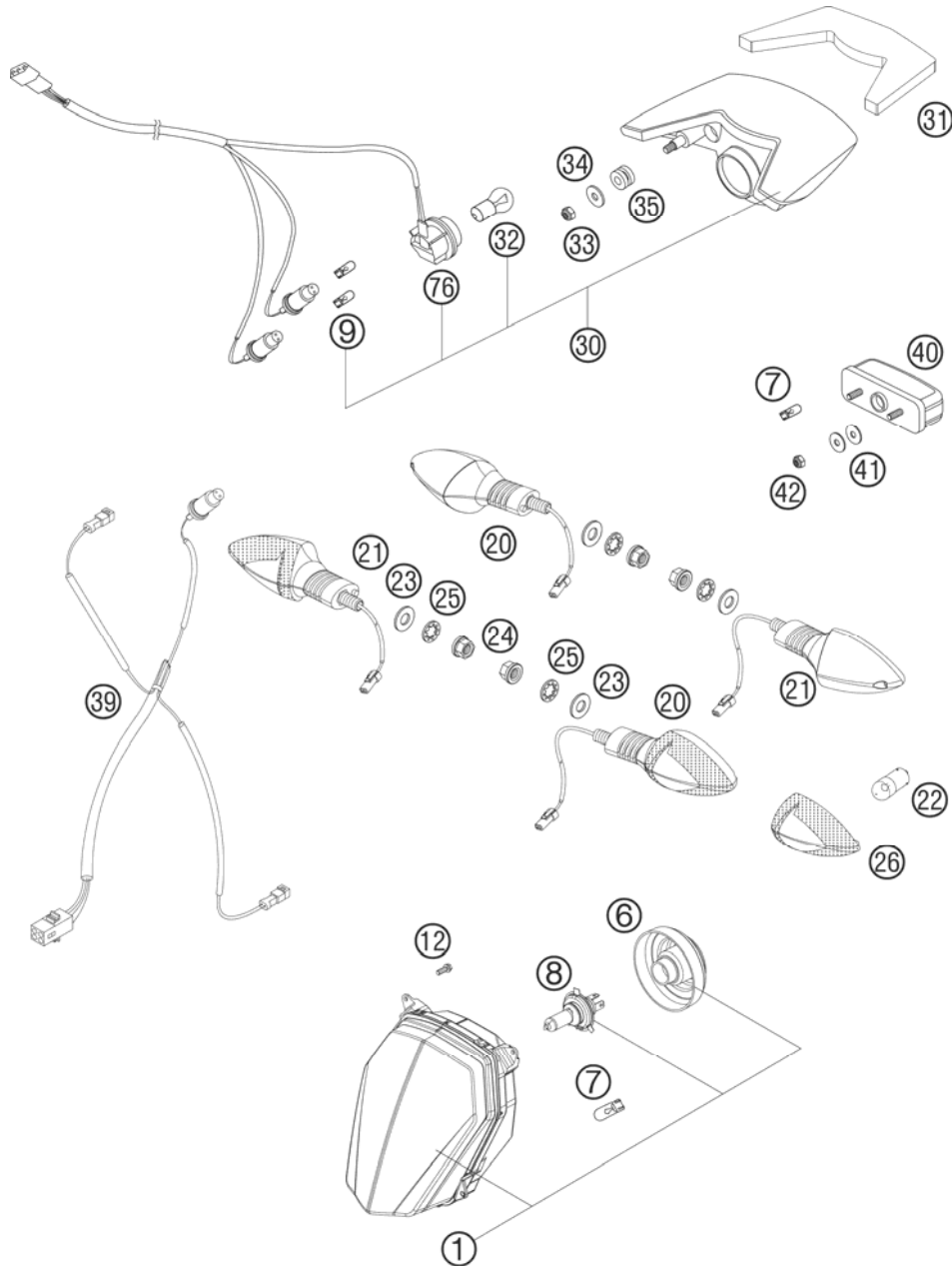
096261390 / C096261391

* NEW PART

X AS REQUIRED

LIGHTING SYSTEM

990 SUPERMOTO R EU 2009

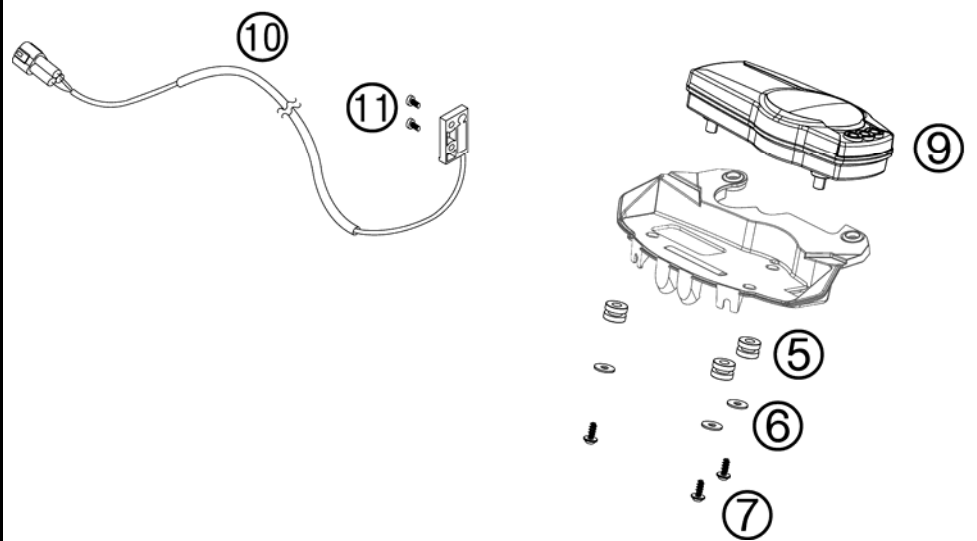
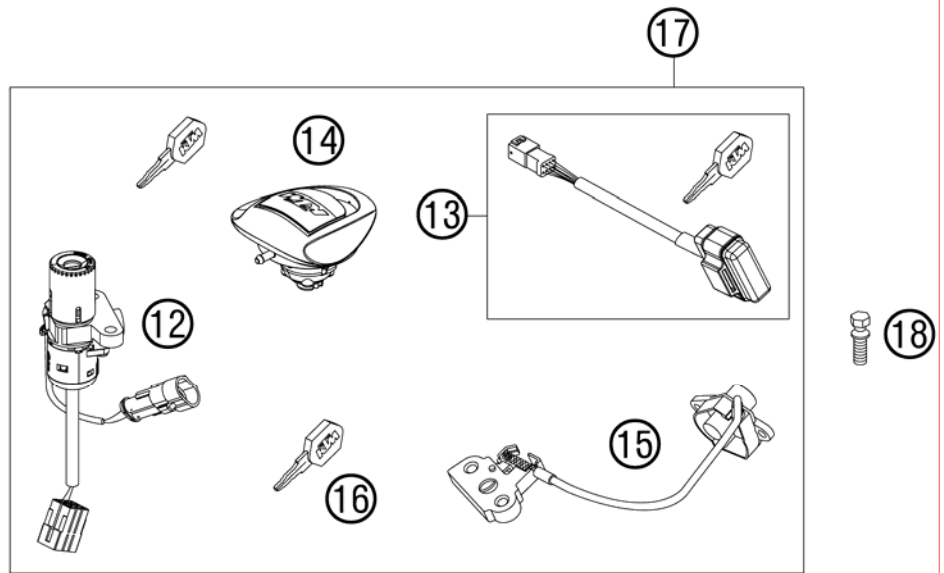


| FIG | PART NUMBER | DESCRIPTION | QTY |
|-----|-------------|--------------------------------|-----|
| 1 | 62614001000 | HEAD LIGHT RIGHT TR. 08 | 1 |
| 6 | 76514001050 | RUBBER CAP FOR HEAD LIGHT | 1 |
| 7 | 49011435100 | BULB 12V 5W (W2,1X9,5D) PHIL. | 2 |
| 8 | 57111038000 | BULB H4 12V 60/55W (P43T) | 1 |
| 9 | 49011435200 | BULB RED WR5W 12V | 2 |
| 12 | 0025050126 | HH COLLAR SCREW M5X12 TX30 | 4 |
| 20 | 60114025000 | FLASHER CPL.FRONT L/S REAR R/S | 2 |
| 21 | 60114026000 | FLASHER CPL.FRONT R/S REAR L/S | 2 |
| 22 | 60114027000 | BULB 12V ORANGE (RY10W) | 4 |
| 23 | 0433100003 | WASHER 18x10,5x1,6 | 4 |
| 24 | 58414030000 | HH COLLAR NUT M10X1,25 WS=13 | 4 |
| 25 | 0797100003 | LOCK WASHER DIN6797-J10,5 ZI | 4 |
| 26 | 60114028000 | FLASHER LENS L/S R/S TRANSP.06 | 4 |
| 30 | 58614140044 | REAR LIGHT CPL.SMOKED GLASS 07 | 1 |
| 31 | 62614040050 | METAMOLL FOR HEAD LIGHT 08 | 1 |
| 32 | 60014048100 | BULB RED PR21W 12V | 1 |
| 33 | 0985060003 | SELF LOCK. NUT DIN0985-M 6 | 2 |
| 34 | 0021060003 | WASHER DIN9021-A 6,4 | 2 |
| 35 | 58214069051 | RUBBER GROMMET 16X10,8X3 02 | 2 |
| 39 | 62611076000 | WIRING HARNESS REAR 08 | 1 |
| 40 | 58414047000 | LICENSE-PLATE ILLUMINATION '98 | 1 |
| 41 | 0021050003 | WASHER DIN9021-A 5,3 | 4 |
| 42 | 0985050003 | SELF LOCKING NUT DIN0985-M 5 | 2 |
| 76 | 58611176100 | CABLE HARNESS REAR PART 07 | 1 |

086261410 / C086261410

* NEW PART

X AS REQUIRED

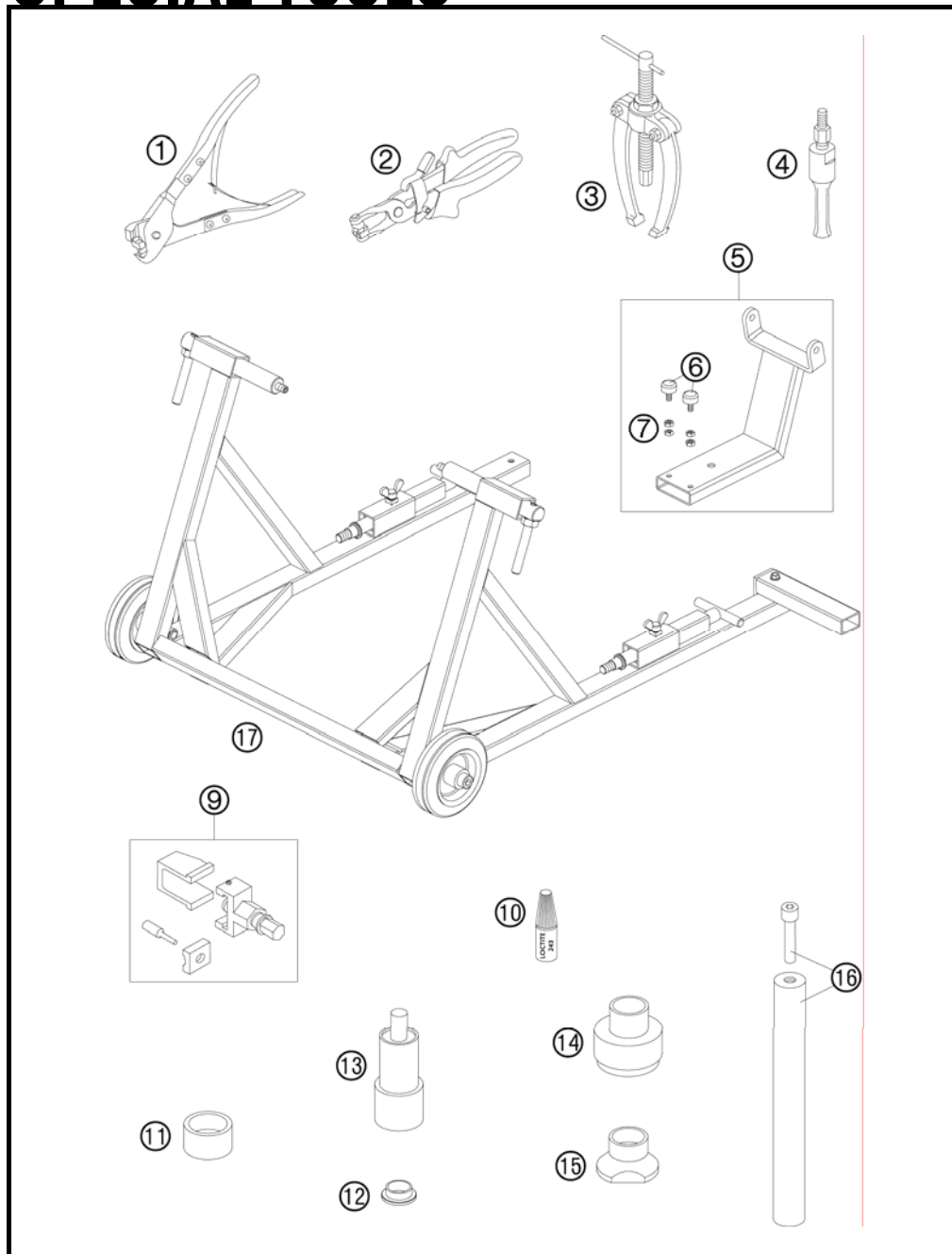


| FIG | PART NUMBER | DESCRIPTION | QTY |
|-----|-------------|--------------------------------|-----|
| 5 | 58214069051 | RUBBER GROMMET 16X10,8X3 02 | 3 |
| 6 | 0021050003 | WASHER DIN9021-A 5,3 | 3 |
| 7 | 0081050121 | SCREW FOR PLASTIC K50X12 T20 | 3 |
| 9 | 61114069100 | SPEEDOMETER 07 | 1 |
| 10 | 62514068100 | SPEEDOMETER SENSOR 06 | 1 |
| 11 | 0084040083 | CYL.HEAD SCREW DIN0084-M 4X8 A | 2 |
| 12 | 62611066000 | IGNITION LOCK | 1 |
| 13 | 62611021000 | IMMOBILIZER 990 SM 08 | 1 |
| 14 | 58407008300 | TANK PLUG | 1 |
| 15 | 62607050000 | SEAT LOCK | 1 |
| 16 | 62611067000 | KEY WITH TRANSPONDER | 1 |
| 17 | 62611066044 | LOCK SYSTEM 990SM 08 | 1 |
| 18 | 60011064000 | TAMPERPROOF SCREW F. IGN. LOCK | 2 |

086261430 / C096261430

* NEW PART

X AS REQUIRED



| FIG | PART NUMBER | DESCRIPTION | QTY |
|-----|-------------|--|-----|
| 1 | 60029057000 | PLIERS F. VAR.ONE-EAR CLAMP 03 | 1 |
| 2 | 60029057100 | PLIERS F. CLAMP 03 | 1 |
| 3 | 15112017000 | BUSHING EXTRACTOR | 1 |
| 4 | 60029018000 | INTERN.BEAR.PULLER 28 MM | 1 |
| 5 | 60029055100 | ATTACHMENT WHEELED JACK 03 | 1 |
| 6 | 58303070000 | STOP RUBBER M8 | 2 |
| 7 | 0934080003 | HEXAGON NUT DIN0934-M 8 | 4 |
| 9 | 60029020000 | RIVET TOOL 03 | 1 |
| 10 | 6899785 | LOCTITE 243 BLUE 6CCM | 1 |
| 11 | 60029056000 | ANVIL DOLLY 03 | 1 |
| 12 | 60010013000 | SPACER BUSH. REAR WHEEL R/S 03 FOR SWINGARM BEARING | 1 |
| 13 | 58429086000 | PRESS. TOOL F. LINK BEAR. LC4 | 1 |
| 14 | 58429091000 | MOUNT.TOOL STEER.HEAD BEAR.LC4 | 1 |
| 15 | 58429092000 | DISMOUNT. TOOL F. BEARINGS LC4 | 1 |
| 16 | 58429089000 | HOLDING TOOL CHASSIS LC4 | 1 |
| 17 | 62529055000 | VEHICLE STAND 05 | 1 |

086261900 / C086261900

* NEW PART

X AS REQUIRED

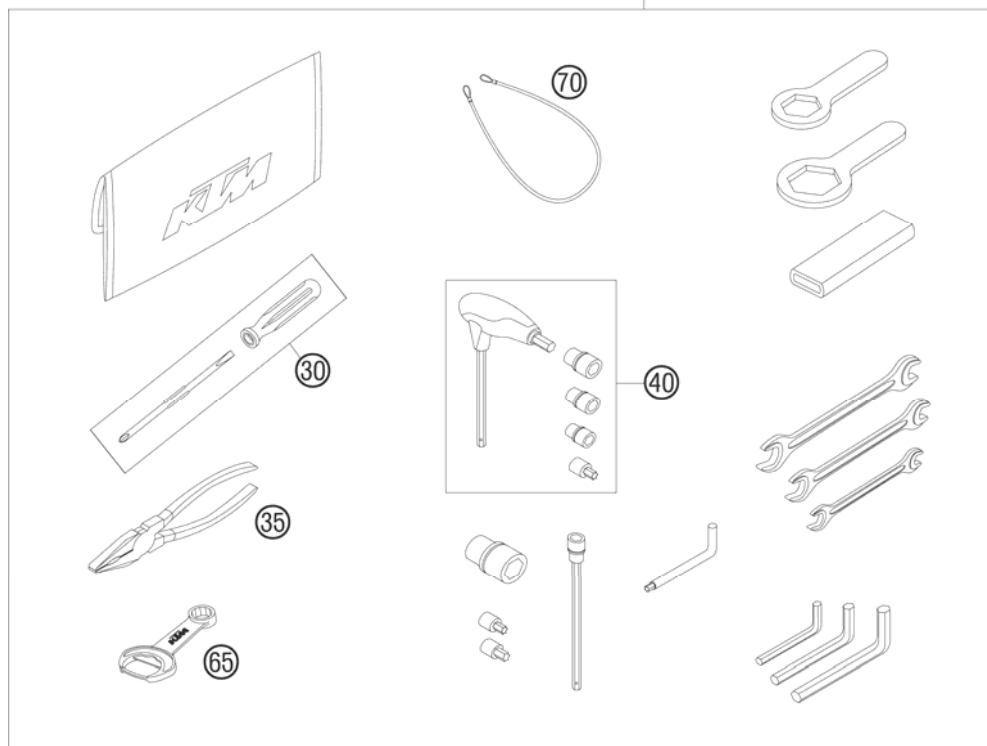
ACCESSORIES KIT

990 SUPERMOTO R EU 2009

①
OHNE ABBILDUNG
WITHOUT ILLUSTRATION

①
TECHNISCHE DOKUMENTATION
TECHNICAL DOCUMENTATION
DOCUMENTACION TECNICA
DOCUMENTATION TECHNIQUE
NOTE TECNICHE

⑫



| FIG | PART NUMBER | DESCRIPTION | QTY |
|-----|-------------|--------------------------------|-----|
| 0 | 00063099111 | BAG FOR INSTRUCTION MANUAL | 1 |
| 0 | 0021060003 | WASHER DIN9021-A 6,4 | 4 |
| 0 | 0024060156 | HH COLLAR SCREW M6X15 TX30 | 4 |
| 0 | 0125050003 | WASHER DIN0125-A 5,3 | 2 |
| 0 | 0966050163 | OVAL HEAD SCREW DIN0966-M 5X16 | 2 |
| 0 | 0985050003 | SELF LOCKING NUT DIN0985-M 5 | 2 |
| 0 | 0985060003 | SELF LOCK. NUT DIN0985-M 6 | 4 |
| 0 | 312305 | DOCUMENTS BAG 2006 | 1 |
| 0 | 312313 | KTM BALLPOINT ORANGE | 1 |
| 0 | 3210039 | CUSTOMER WELCOME LETTER | 1 |
| 0 | 40006006000 | WASHER 6MM | 2 |
| 0 | 58412040050 | SUPPORT FOR MIRROR LC4 '98 | 2 |
| 0 | 58412080000 | REFLECTOR RED LC4 '98 | 1 |
| 0 | 58412080050 | BRACKET FOR REFLECTOR | 1 |
| 0 | 60012081200 | LICENCE FITTING 06 | 1 |
| 0 | 61112040000 | REVIEW MIRROR L/S 07 | 1 |
| 0 | 61112041000 | REVIEW MIRROR R/S 07 | 1 |
| 1 | 3211367EN | OWNER'S MANUAL 990 SM/-R 09 | 1 |
| 12 | 61129099000 | TOOL SET 08 | 1 |
| 30 | 53012024100 | SCREW DRIVER L=105MM | 1 |
| 35 | 53012028200 | GRIP ORANGE B&F | 1 |
| 40 | 60029070200 | T-WRENCH WS=6/8/10 TX=45 B&F | 1 |
| 65 | 50329071100 | WRENCH WS=13 B&F + OPENER | 1 |
| 70 | 60012015000 | HELMET LOCK 04 | 1 |

086012001 / C096262001

* NEW PART

X AS REQUIRED





KTM-Sportmotorcycle AG
A-5230 Mattighofen
www.ktm.at

KTM Group Partner



3CF98031EN



Art.Nr.: 3CF98031EN 12/2008