

# 990 SUPER DUKE R EU 2010

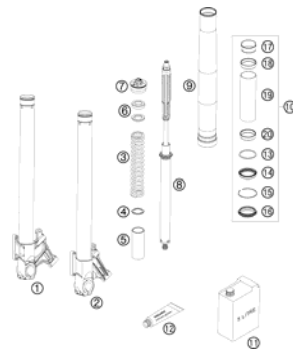

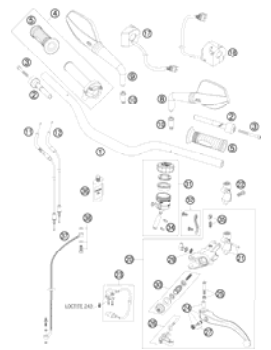

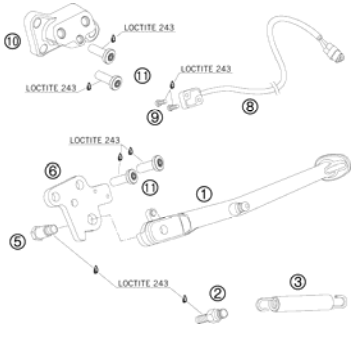
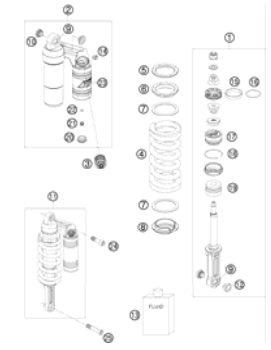
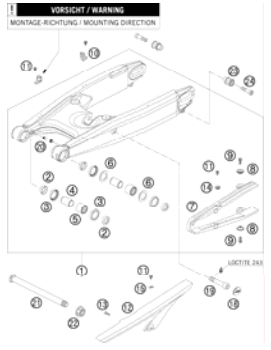

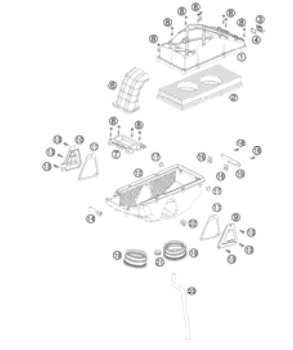
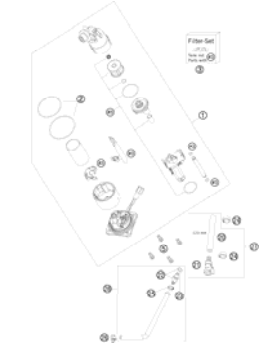
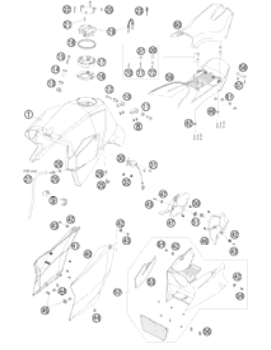

**SPARE PARTS MANUAL: CHASSIS**


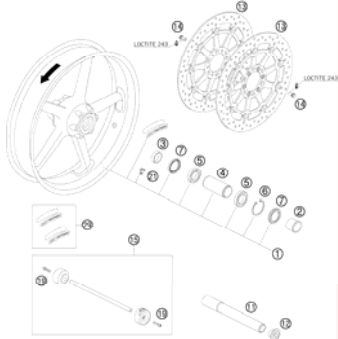
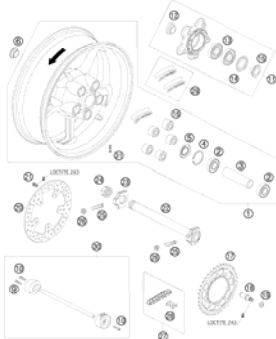
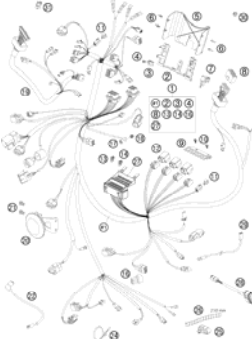
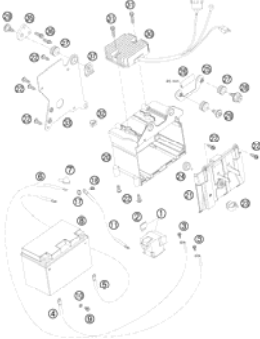
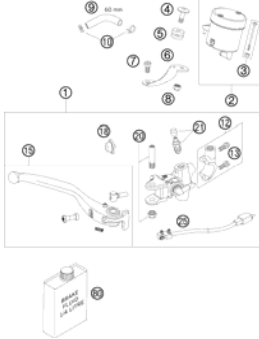
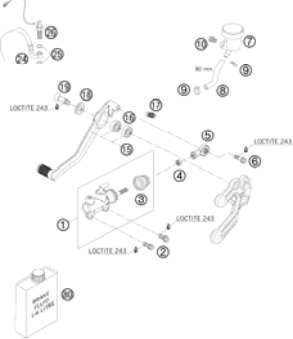
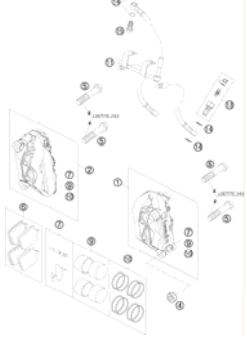
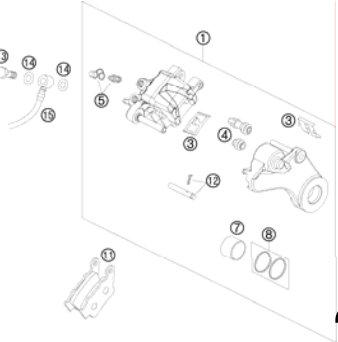


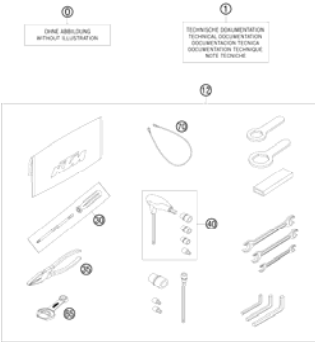
**ART.NO.: 3CF9803J8EN**


**ENGLISH**





<p><b>FRONT FORK DISASSEMBLED</b></p>  <p><b>4</b></p>	<p><b>FRONT FORK</b></p>  <p><b>5</b></p>	<p><b>HANDLEBAR, CONTROLS</b></p>  <p><b>6</b></p>	<p><b>FRAME</b></p>  <p><b>7</b></p>
<p><b>SIDE STAND</b></p>  <p><b>8</b></p>	<p><b>MONOSHOCK</b></p>  <p><b>9</b></p>	<p><b>SWING ARM</b></p>  <p><b>10</b></p>	<p><b>EXHAUST SYSTEM</b></p>  <p><b>11</b></p>
<p><b>AIR FILTER BOX</b></p>  <p><b>12</b></p>	<p><b>FUEL PUMP</b></p>  <p><b>13</b></p>	<p><b>TANK, SEAT, COVER</b></p>  <p><b>14</b></p>	<p><b>MASK, FENDERS</b></p>  <p><b>16</b></p>

<b>DECAL</b>  <b>19</b>	<b>FRONT WHEEL</b>  <b>20</b>	<b>REAR WHEEL</b>  <b>21</b>	<b>WIRING HARNESS</b>  <b>22</b>
<b>BATTERY BOX</b>  <b>23</b>	<b>HAND BRAKE CYLINDER</b>  <b>24</b>	<b>REAR BRAKE CONTROL</b>  <b>25</b>	<b>BRAKE CALIPER FRONT</b>  <b>26</b>
<b>BRAKE CALIPER REAR</b>  <b>27</b>	<b>LIGHTING SYSTEM</b>  <b>28</b>	<b>INSTRUMENTS, LOCK SYSTEM</b>  <b>29</b>	<b>ACCESSORIES KIT</b>  <b>30</b>

		<p>All information contained is without obligation. KTM-Sportmotorcycle AG particularly reserves the right to modify any equipment, technical specifications, prices, colors, shapes, materials, services, service work, constructions, equipment and the like so as to adapt them to local conditions or to cancel any of the above items, all without previous announcement and without giving reasons. KTM may stop manufacturing certain models without previous notice. KTM shall not be held liable for any deviations of availability and/or ability to deliver, illustrations, descriptions, printing and/or other errors. The illustrated models partly contain extra equipment, which is not applied to standard models. © by KTM-SPORTMOTORCYCLE AG, Mattighofen AUSTRIA; All rights reserved; Reprint, also in extracts, with written allowance of KTM-SPORTMOTORCYCLE AG, Mattighofen only.</p>	

# FRONT FORK DISASSEMBLED

990 SUPER DUKE R EU 2010

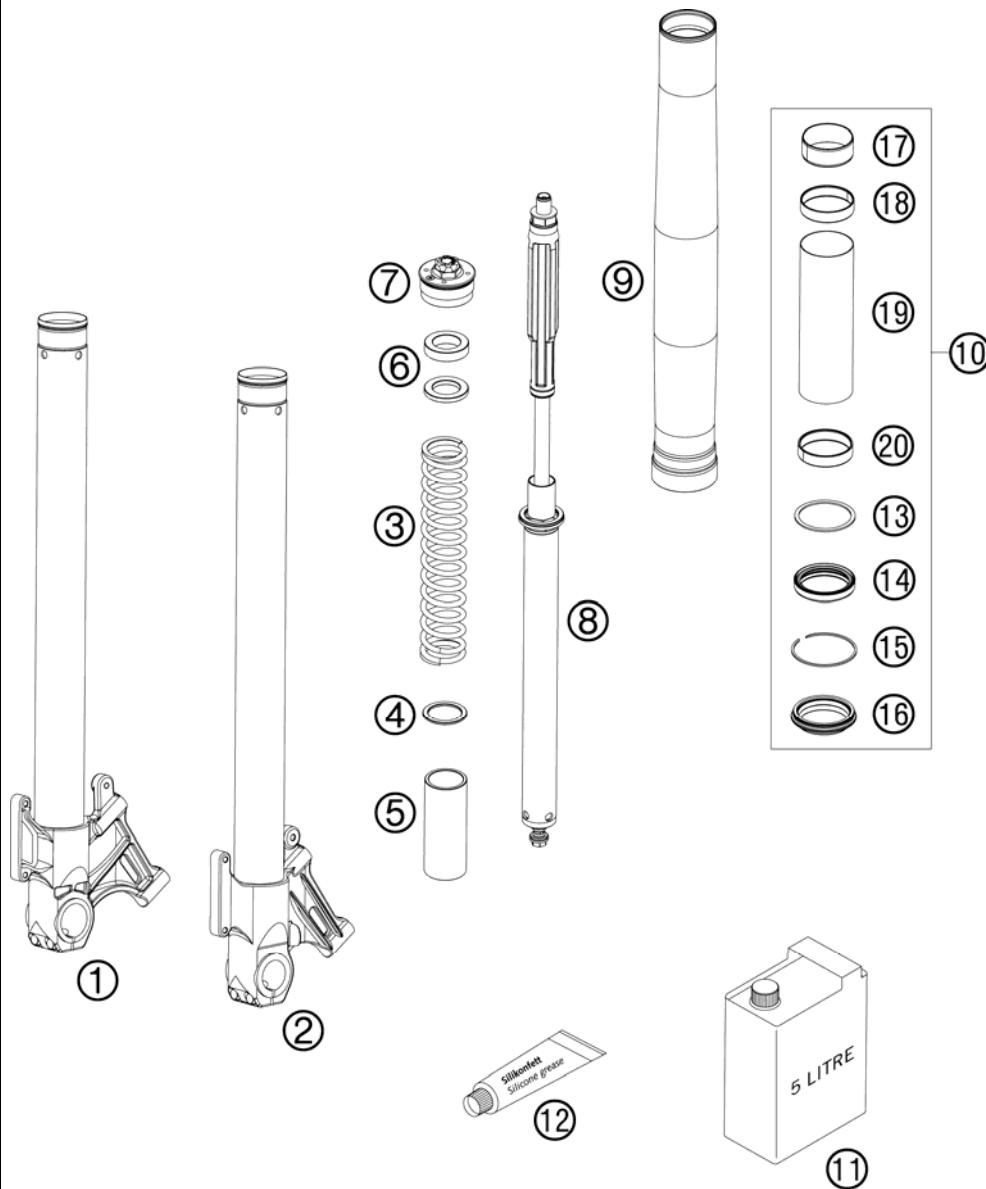


FIG	PART NUMBER	DESCRIPTION	QTY
1	48600685S2	AXLE CLAMP R/S CPL. 07	1
2	48600686S2	AXLE CLAMP L/S CPL. 07	1
3	91410038S	SPRING C=9 L=250 D=5,1 05	x
3	91410039S	SPRING C=9,5 L=250 D=5,25 05	1
4	48600460	WASHER 32X42X2,5	2
5	48600579	SPACER ALU D42 X 85	2
6	48600036	SPACER 42X26,5X2,5	2
6	48600037	SPACER 42X26,5X5	2
6	48600053	SPACER 42X26,5X1,5	2
7	48600431S	PRE-LOAD ADJ. CPL. M51X1,5 05	2
8	48600580S1	CARTRIDGE CPL. 07	2
9	48600362	OUTER TUBE L=500	2
10	R14009	REPAIR-KIT GASKET 4860 MXMA 05	1
11	48600765S1	FORK OIL SAE5 5L 2008	1
12	T511	SILICONE GREASE F. DUST STRI	1
13	48600013	SUPPORT RING 50 X 57,6 X 1,5	2
14	48600399	OIL SEAL RING 48X57,8X9,5	2
15	48600070	LOCK WASHER SB58	2
16	48600400	DUST CAP D=48 58,4X11,8	2
17	48600428	DU-BUSH D47XD49X20DDL02	2
18	48600236	GUIDING RING 48X51X12	2
19	48600245	SPACER 50,95X0,85X161,5	2
20	48600429	DU-BUSH D48XD52X12DDL02	2

086110131 / C096110131

\* NEW PART

X AS REQUIRED

# FRONT FORK

## 990 SUPER DUKE R EU 2010

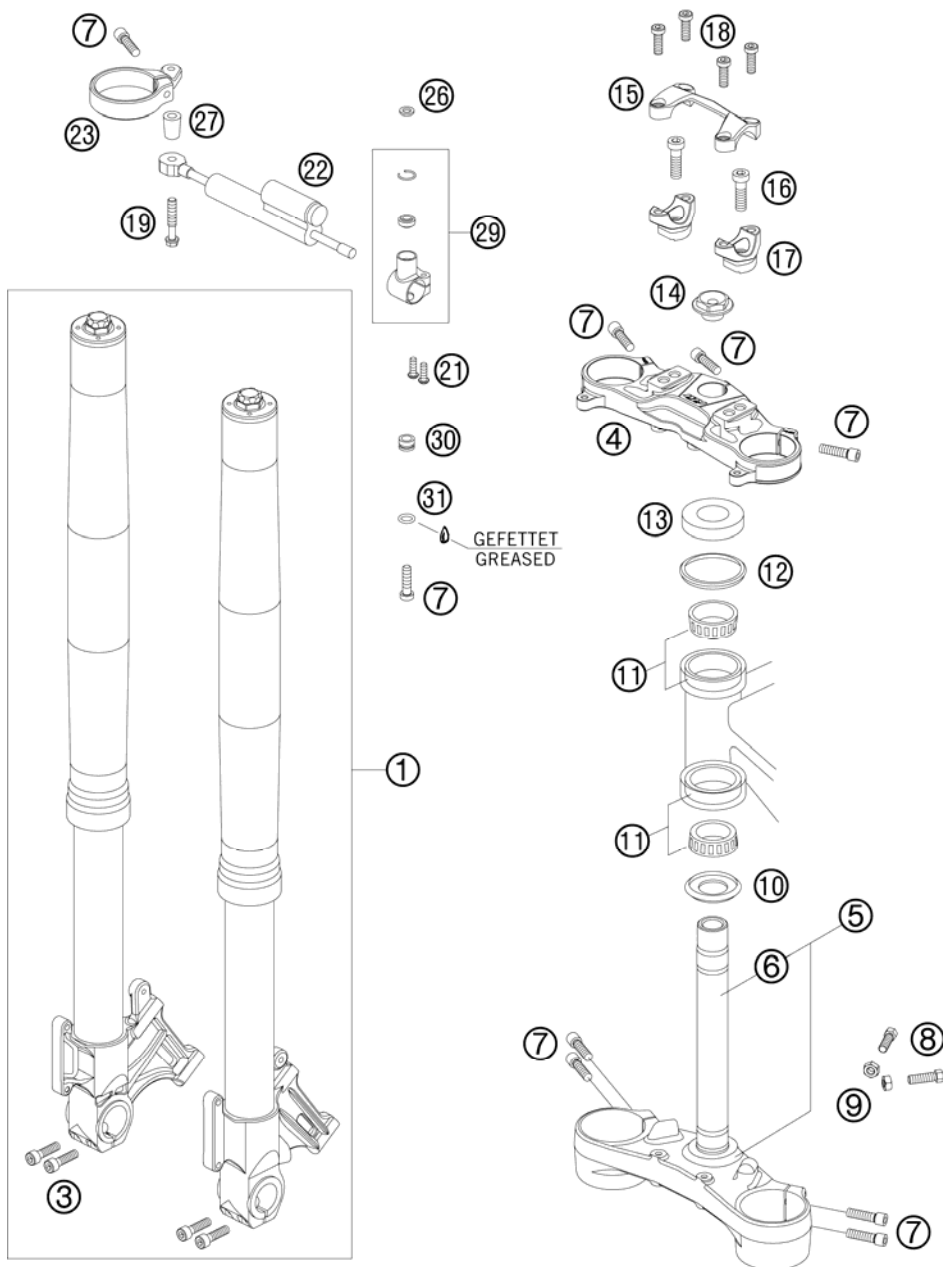


FIG	PART NUMBER	DESCRIPTION	QTY
1*	14187J3101	FRONT FORK 990 SD-R 2010	1
3	0912080303	AH SCREW DIN0912-M 8X30	4
4	6110113402930	TOP TRIPLE CLAMP 990SD 29MM 07	1
5	6110103202933S	BOTTOM TRIPLE CLAMP 07	1
6	60001033000	FORK TUBE LC8 ADV 03	1
7	0012080303	AH SCREW DIN6912-M 8X30	9
8	59001037000	SPECIAL SCREW M8X26 WS=10	2
9	0934080003	HEXAGON NUT DIN0934-M 8	2
10	54601084100	O-RING SUPPORT W. SEALING LIP	1
11	54201081100	TAPERED ROLLER BEARING CPL. 06	2
12	54601184000	STEERING HEAD GASKET TOP	1
13	61001086000	STEERING HEAD COVER 05	1
14	54801036200	STEER.HEAD SCREW M20x1,5 SW=27	1
15	6110103800030	HANDLEBAR CLAMP BLACK 07	1
16	0912100356	AH SCREW DIN6912-M10X35 10.9	2
17	5940103903230	HANDLEBAR SUPPORT D=28 H=32 BL	2
18	0012080253	CYL.HEAD SCREW DIN6912-M 8X25	4
19	0025080456	HH COLLAR SCREW M8X45 TX40	1
21	0738060181	COU.SUNK SCR. AH ISO7380 M6X18	2
22	16180D03	STEERING DAMPER	1
23	61112006100	FORK CLAMP FOR DAMPNER	1
26	61112006080	WASHER 8,3X14X2 07	1
27	61112006060	BUSHING 8,3X14X17X22,5 07	1
29	61112006133	STEERING DAMPNER CLAMP	1
30	61112006070	SPACER BUSHING 8,3X12X8 07	1
31	0770090021	O-RING 9X2 VITON	1

086110111 / C106110111

\* NEW PART

X AS REQUIRED

# HANDLEBAR, CONTROLS

990 SUPER DUKE R EU 2010

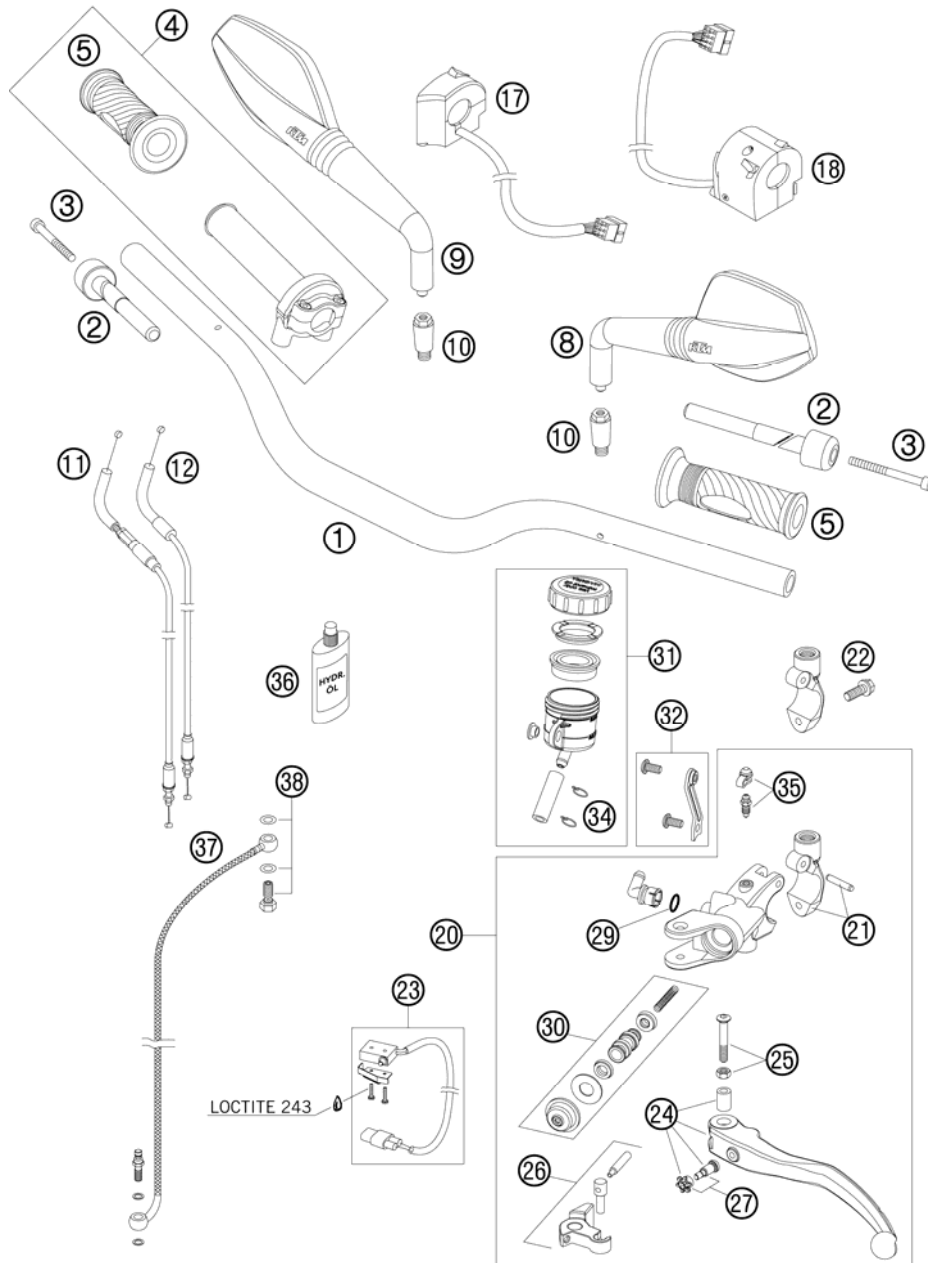


FIG	PART NUMBER	DESCRIPTION	QTY
1	61002001100	HANDLEBAR	06
2	61002004000	VIBRATIONS ABSORBER	05
3	0912060653	AH SCREW DIN0912-M 6X65	2
4	61002010000	THROTTLE GRIP	05
5	61002021000	GRIPP SET	1
8	61112040000	REVIEW MIRROR L/S	07
9	61112041000	REVIEW MIRROR R/S	07
10	58412040050	SUPPORT FOR MIRROR LC4 '98	2
11	61002091000	THROTTLE CABLE OPEN	05
12	61002092000	THROTTLE CABLE CLOSE	05
17	58411074300	START-STOP SWITCH AD	03
18	61011070000	LIGHT SWITCH	05
20	61002030000	MASTER CYLINDER CPL.	05
21	61002044000	CLAMP MIRROR WITH PIN	1
22	0025060166	HH COLLAR SCREW M6X16 TX30	1
23	61011049000	CLUTCH SWITCH	05
24	61002031000	CLUTCH LEVER CPL.	05
25	61002038000	LEVER SCREW CPL.	05
26	61002056000	ROCKER CPL.	05
27	61002043000	ADJUSTING SCREW CPL.	1
29	61002051000	O-RING ANGLE PIECE	1
30	61002032000	REP.SET PISTON D=13	05
31	61002055000	RESERVOIR CPL.	05
32	61002055050	BRACKET AND SCREWS F. RESERV.	1
34	58007117000	YDNAC-CLAMP 10107 10MM	2
35	61002054000	BLEEDER SCREW WITH CAP	1
36	50302036200	OIL FOR HYD. CLUTCH 75ML	1
37	61032063000	CLUTCH PIPE	05
38	59032062000	HOLLOW SCREW + COPPER GASKET	1

086110210 / C096110210

\* NEW PART

X AS REQUIRED



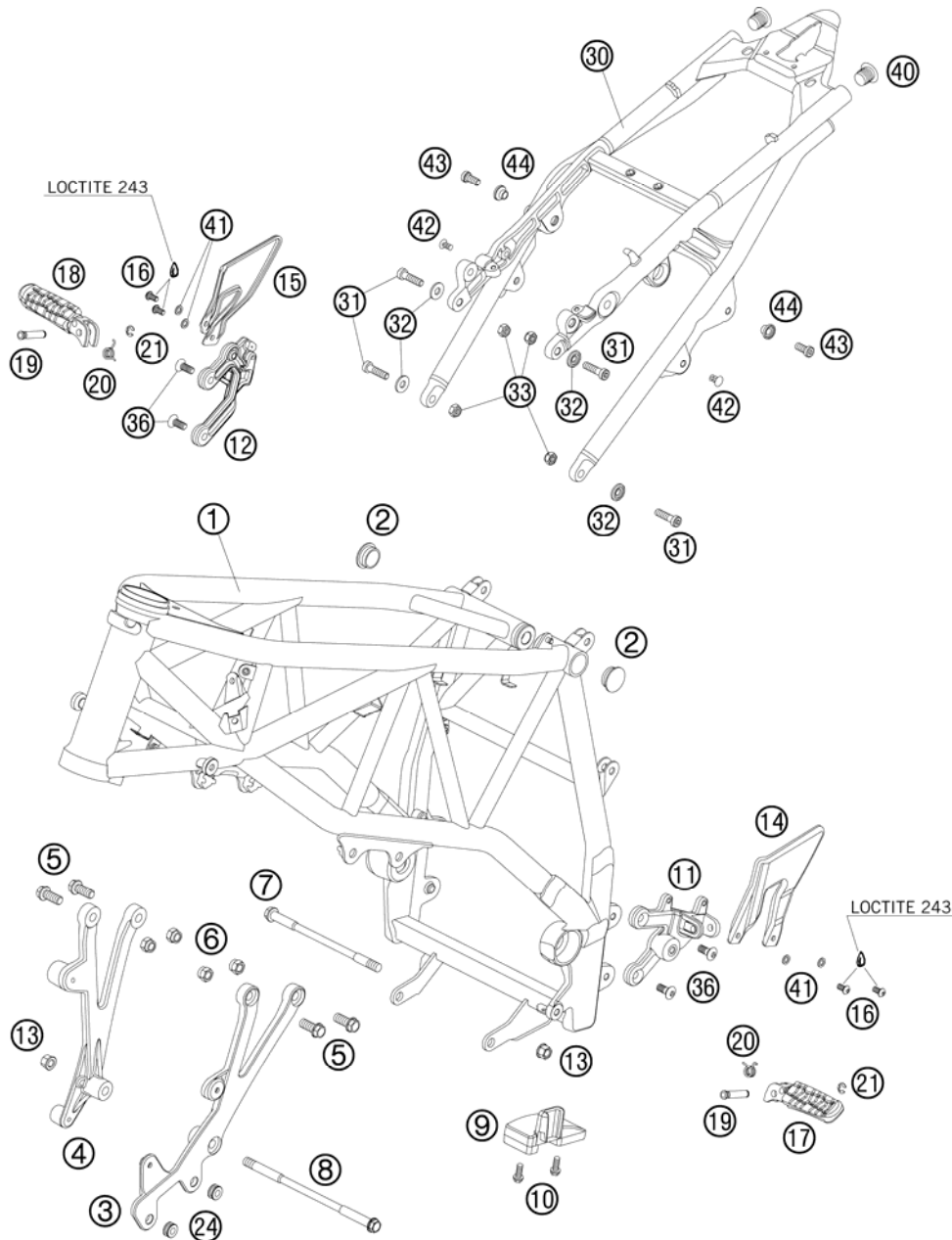


FIG	PART NUMBER	DESCRIPTION	QTY
1	6110300120004	FRAME "FG08"ORANGE 990SD-R08	1
2	61003088000	PLUG SFL28 05	2
3	6100300500033S	ENGINE SUPPORT L/S 07	1
4	6100300600033S	ENGINE SUPPORT R/S 07	1
5	0035100249	AH-COLLAR SCREW M10X24 ISA45	4
6	54310086100	SELF LOCKING NUT M10 CU WS=14	4
7	60003013000	ENGINE BRAC. SCREW M10X172 03	1
8	60003014000	ENGINE BRAC. SCREW M10X206 03	1
9	60004076100	CHAIN SLIDING BLOCK 05	1
10	0017060204	EJOT PT SCREW K60X20 ALU WS=6	2
11	6100313800033S	FOOTREST BRACKET FRONT L/S 07	1
12	6100313900033S	FOOTREST BRACKET FRONT R/S 07	1
13	54630044000	COLLAR NUT M10 WS=13	2
14	6103413200049	HEEL PROTECTOR L/S 07	1
15	6101313200049	HEEL PROTECTOR R/S 07	1
16	0738060101	COU.SUNK SCR. AH ISO7380 M6X10	4
17	61003050000	FOOTREST FRONT L/S CPL. 05	1
18	61003051000	FOOTREST FRONT R/S CPL. 05	1
19	60003044000	BOLT FOR FOOTREST REAR 03	2
20	61003042000	SPRING FOOTREST FRONT 05	2
21	0799060003	TAB WASHER DIN6799-RS 6,0	2
24	60003098000	RUBBER SLEEVE 03	2
30	6110300210033	SUB FRAME BLACK MATT 07	1
31	0012080303	AH SCREW DIN6912-M 8X30	4
32	61003002058	STEPPED WASHER 8,5X20X3,5 05	4
33	0926080003	STOP NUT DIN6926 M8 SS	4
36	0019080206S	FLAT HEAD SCREW M. ISA45 M8X20	4
40	61003089000	PLUG SFL 22X1,8-3,5	2
41	0137060004	SPRING WASHER DIN 137	2
42	61103165000	PLUG FOR M8	2
43	0984080183	AH SCREW DIN7984-M 8X18	2
44	61108128000	SPACER BUSH REAR-TOP-PART L=10	2

086110311 / C096110311

\* NEW PART

X AS REQUIRED

# SIDE STAND

990 SUPER DUKE R EU 2010

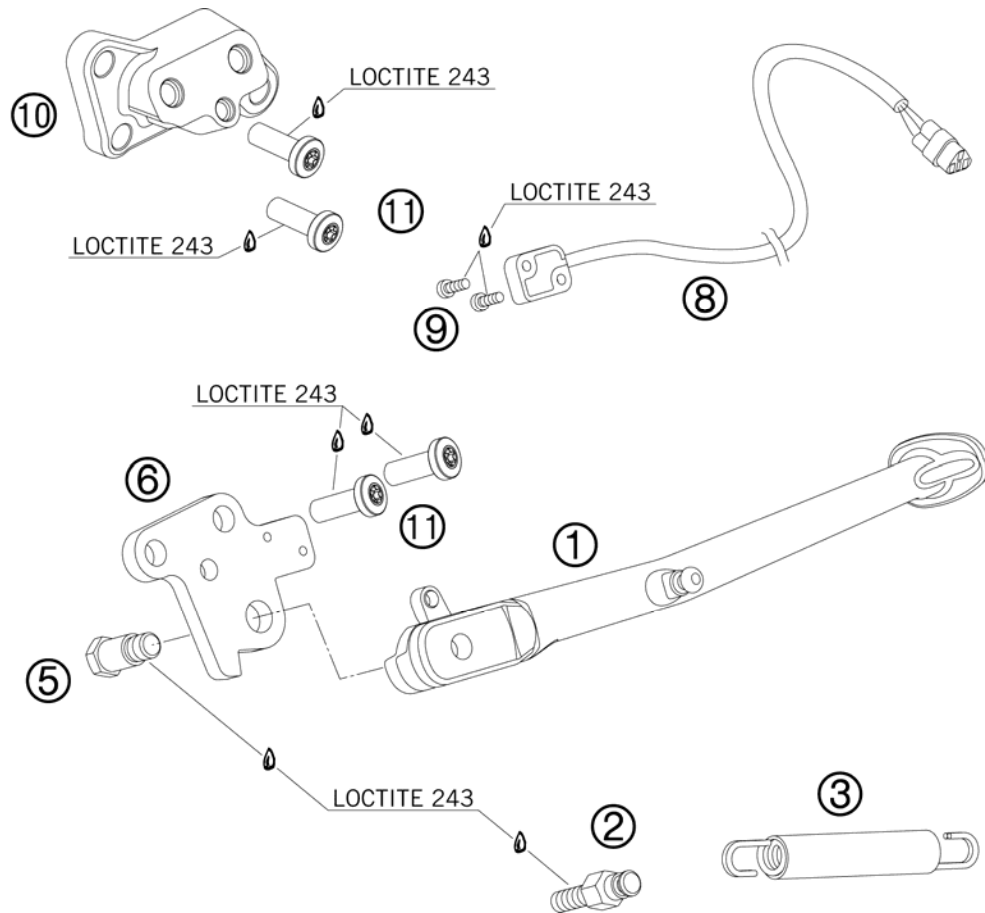


FIG	PART NUMBER	DESCRIPTION	QTY
1	6100302303333S	SIDE STAND W. MAGNET 07	1
2	61003028001	SCREW SIDE STAND SPRING 05	1
3	61003024000	SPRING L=116 MM 05	1
5	62503027200	SCREW FOR SIDE STAND M10X31,2	1
6	61003028010	SIDE STAND PICKUP 05	1
8	61011045000	SIDE STAND SENSOR 05	1
9	0084040123	CYL.HEAD SCREW DIN84A M4x12	2
10	61003026000	SIDE STAND BRACKET 05	1
11	0035100309S	AH-COLLAR SCREW M10X30 ISA45	4

086110360 / C106110360

\* NEW PART

X AS REQUIRED

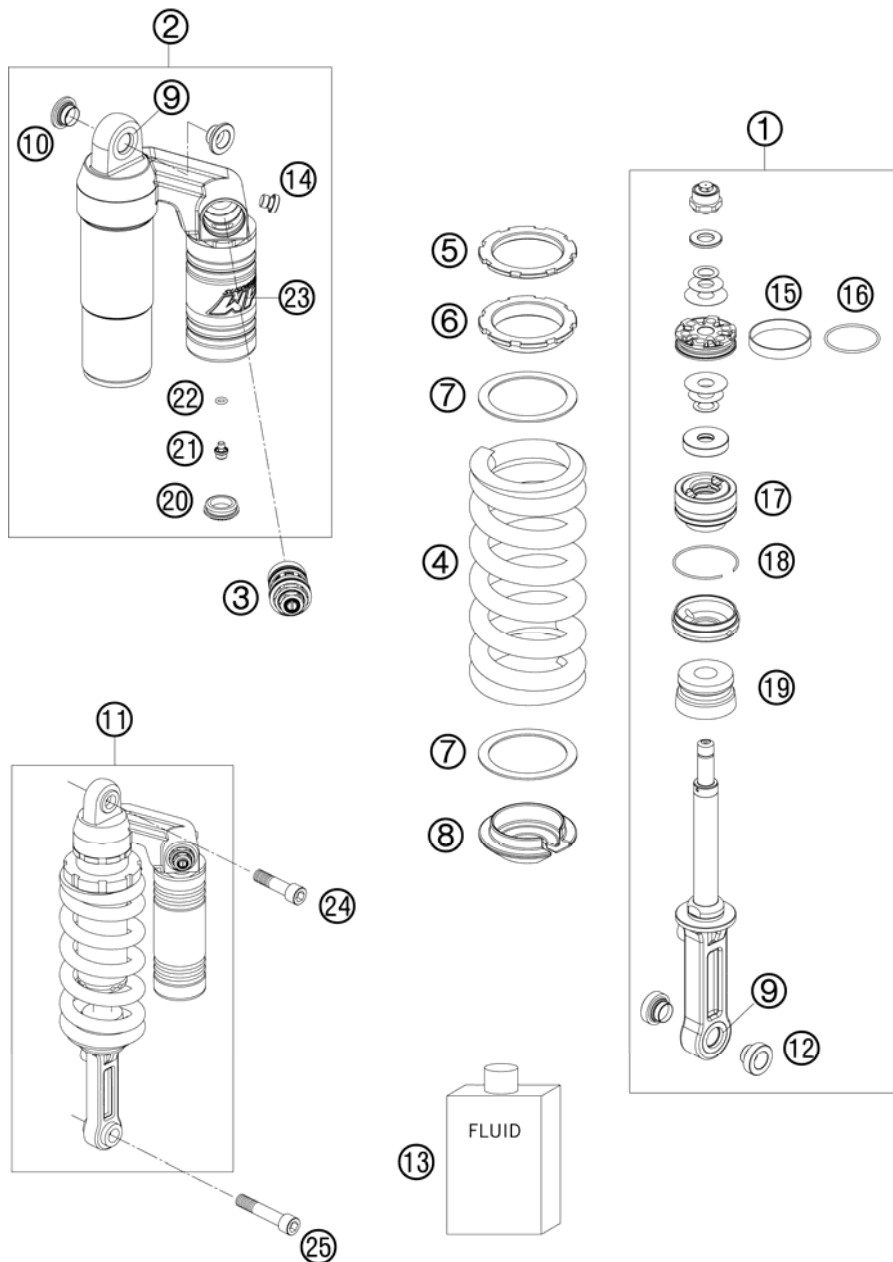


FIG	PART NUMBER	DESCRIPTION	QTY
1	46180794SA2	MONOSHOCK LOWER PART	1
2	46180854SA1	MONOSHOCK CASE TOP	1
3	50180213S10	DCC-COMPR.DAMP.CONTROL CPL. 07	1
4*	91010275S	SPRING 160-185 ORANGE	x
4	91010286S	SPRING(59) 180-185 D=14 ORANGE	x
4*	91010287S	SPRING(59) 170-185 D=14 ORANGE	1
5	46180766	COUNTERNUT	1
6	46180765	ADJUSTING NUT M54X1,5	1
7	50180410	INTERM.RING D=58	2
8	46180396	SPRING RETAINER H=15 D=28	1
9	R15009	BEARING KIT KGW 1525 990 DUKE	2
10	50180366	ADAPTOR BUSH KGW 14X24	2
11*	15187J0501	MONOSHOCK 990SD-R 2010	1
12	46180362	ADAPTOR BUSH KGW 14X32 07	2
13	50180342	SHOCK ABSORBER FLUID SAF 1579A	1
14	50180095	BLEED PLUG R 1/8	1
15	46810361	PISTON RING	1
16	46810035	O-RING VITON 37,82X1,78	1
17	46180669S	ADAPTOR CPL. D=46 H=28 07	1
18	46810010	CIRCLIP 49X1,5	1
19	46180365	BUMP RUBBER WP60 H=30 D=18-26	1
20	46811208	RUBBER CAP "DO NOT OPEN"	1
21	36120151	SCREW PLUG M5X6	1
22	46810893	O-RING NBR 5,28X1,78	1
23	52000044	STICKER WP KTM	1
24	60004016000	SCREW M14X1,5 L=55MM	03
25	60004017000	SCREW M14X1,5 L=73MM	03

096110410 / C106110412

\* NEW PART

X AS REQUIRED

# SWING ARM

990 SUPER DUKE R EU 2010

**!** VORSICHT / WARNING  
MONTAGE-RICHTUNG / MOUNTING DIRECTION

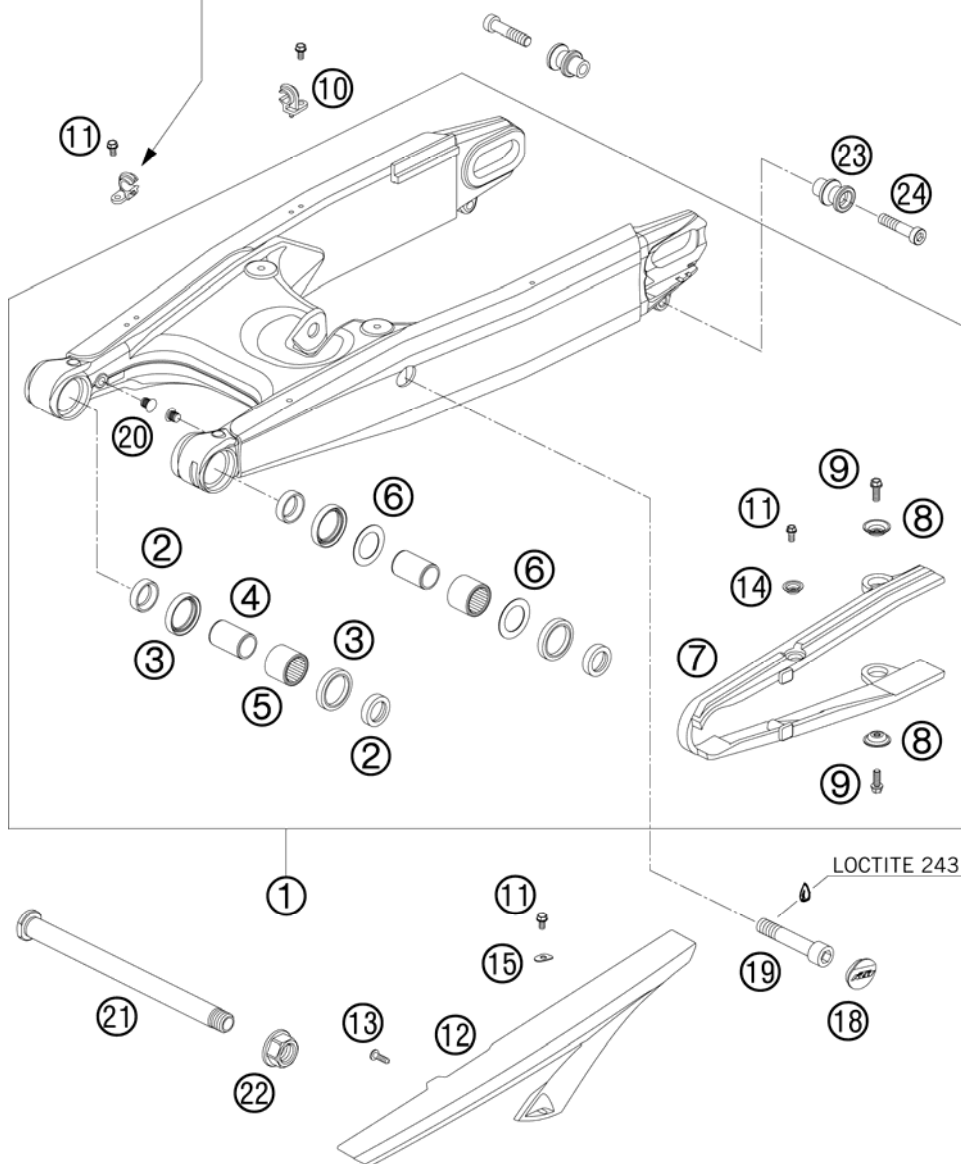


FIG	PART NUMBER	DESCRIPTION	QTY
1	6100403004433	SWING ARM CPL. SM-R SD-R 07	1
2	60004034000	BUCKET F. SHAFT SEAL RING 03	4
3	0760304073	SHAFT SEAL RING 30X40X7	4
4	60004032000	INNER RING JR20X25X38,5 03	2
5	60004031000	NEEDLE BUSH HK2526B 03	2
6	60004033000	STOP DISK 03	2
7	60004066100	CHAIN SLID. GUARD SWINGARM 05	1
8	72210079000	BUCKET	2
9	59009062016	SPECIAL SCREW M6X16 WS=8 10.9	2
10	5461107610030	RET. CLAMP F. BRAKE HOSE BLACK	2
11	0009050103	SPECIAL SCREW M 5,0X10	4
12	61004060000	CHAINGUARD 05	1
13	0081500181	SCREW FOR PLASTIC D=5X18	1
14	46104066050	BUSH FOR CHAINSLIDER GUARD 02	1
15	61004060050	WASHER CHAINGUARD 05	1
18	60004041000	PLUG SWINGARM 03	1
19	60004017000	SCREW M14X1,5 L=73MM 03	1
20	55009086000	PLUG SFL13	2
21*	60004037244	SWINGARM BOLT CPL.	1
22	60004038000	COLLAR NUT M19X1,5 WS=27MM 03	1
23	61104020000	QUICK SUPPORT MAIN STAND	2
24	0912100456	AH SCREW DIN6912-M10X45 10.9	2

086110491 / C106110491

\* NEW PART

X AS REQUIRED

# EXHAUST SYSTEM

990 SUPER DUKE R EU 2010

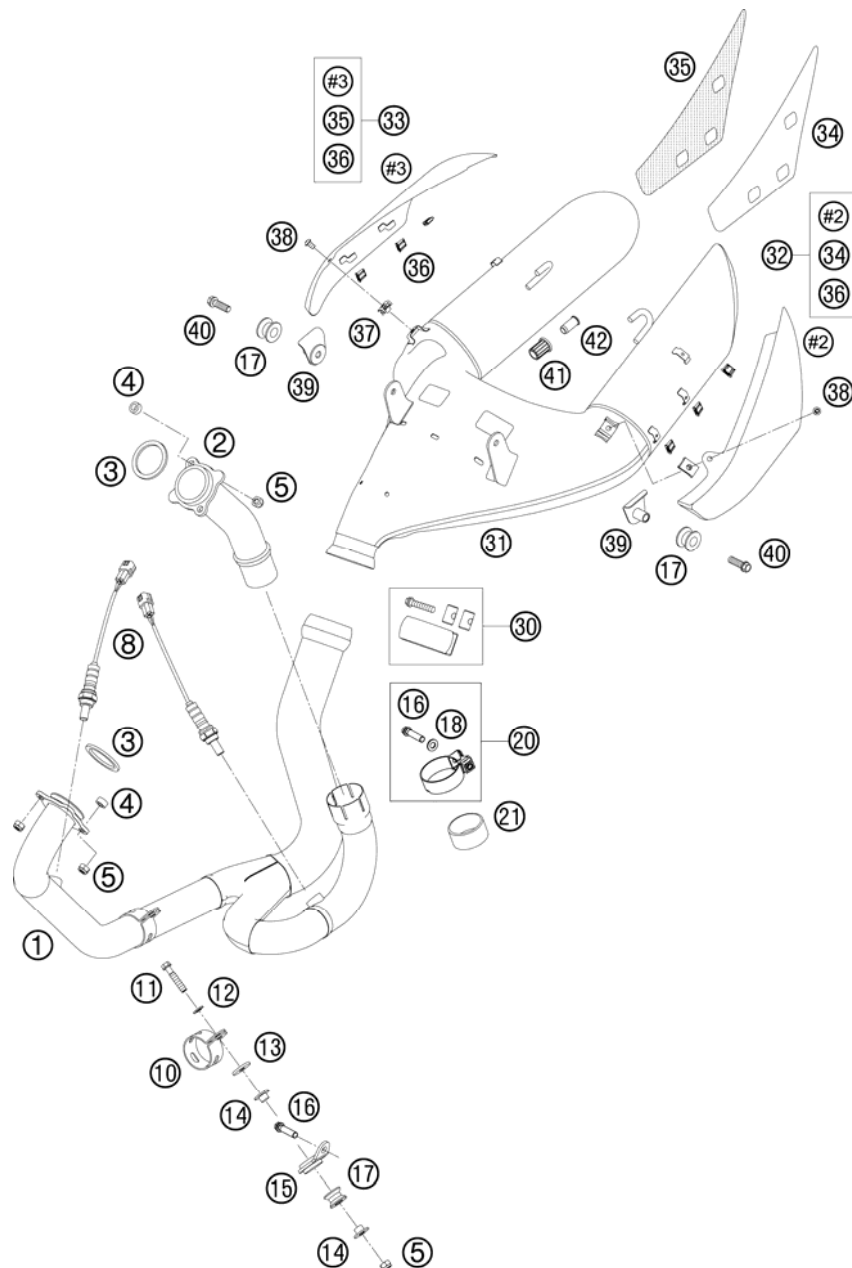


FIG	PART NUMBER	DESCRIPTION	QTY
1	61105107000	EXHAUST PIPE FRONT	08
2	61105108000	EXHAUST PIPE REAR	08
3	61005005000	EXHAUST GASKET	05
4	61005009000	SPACER BUSH. 8,5X15X7,5	05
5	51010086100	SELF LOCKING NUT M 8 CU	05
8	61041090000	LAMBDA SENSOR	05
10	61105007049	CLAMP EXHAUST PIPE	08
11	0025080406	HH COLLAR SCREW M8X40 TX40	1
12	0021080003	WASHER DIN9021-A 8,4	1
13	51005067000	INSULATE WASHER 8,5X28X3	1
14	58405050065	COLLAR BUSH 8,5X12X23,5X10	2
15	62505015150	EXHAUST PIPE BRACKET FRONT 07	1
16	0025080356	HH COLLAR SCREW M8X35 TX40	2
17	54305068100	DAMP. COMPONENT SILICONE GREY	3
18	0125080003	WASHER DIN0125-A 8,4	1
20	61105251000	EXHAUST CLAMP 52,2MM	09
21	58405005001	GRAPHITRING 45X50X25	1
30	61005052000	EXHAUST CLAMP CPL.	05
31	61105083000	SILENCER	07
32	6110519002049	HEAT PROTECTOR L/S CARBON	07
33	6110519003049	HEAT PROTECTOR CARBON R/S	07
34	61105190022	THER.PROT.FOIL SILENCER L/S	1
35	61105190032	THER.PROT.FOIL SILENCER R/S	1
36	61005091000	DAMP. COMPON. SILICONE GREY	05
37	54603048100	RANGE CHANGE METAL NUT M6	2
38	0738060101	COU.SUNK SCR. AH ISO7380 M6X10	2
39	61005083011	ANTI-ROTATION ELEMENT CPL.	05
40	0025080256	HH COLLAR SCREW M8X25 TX40	2
41	61005013000	RUBBER SILENCER SUPPORT	05
42	61005014000	SLEEVE SILENCER SUPPORT	05

086110510 / C106110512

\* NEW PART

X AS REQUIRED

# AIR FILTER BOX

990 SUPER DUKE R EU 2010

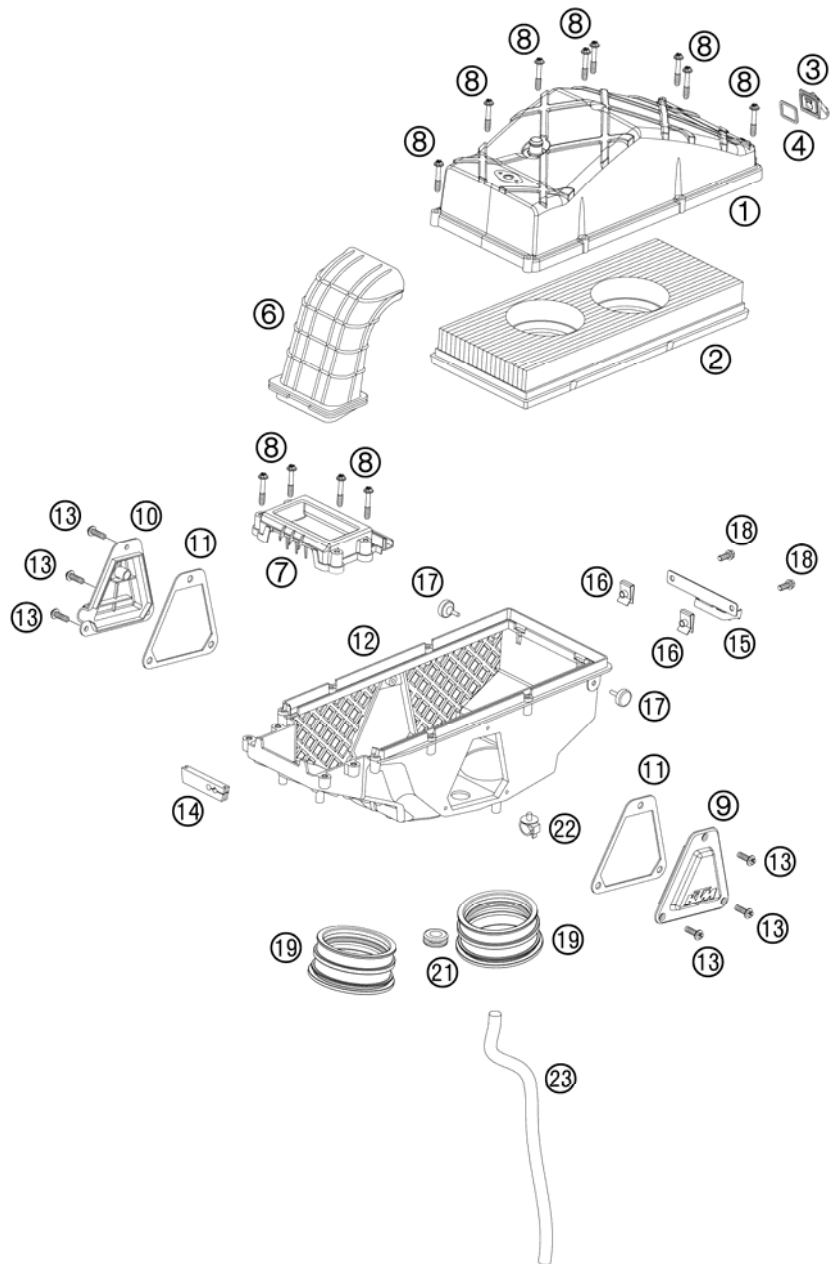


FIG	PART NUMBER	DESCRIPTION	QTY
1	61006002000	AIRBOX COVER 990 DUKE	04
2	61006015000	AIR FILTER EFI	05
3	60006007000	CONNECTOR FOR SAS LC8	03
4	60006007050	GASKET SAS CONNECTOR	03
6	60006040000	INTAKE SNORKEL	03
7	60006004000	AIRBOX FRONT PART LC8	03
8	60006006000	SPECIAL SCREW K60X35/15	03
9	60006003002	AIRBOX COVER L/S R/S	03
10	61006003002	AIRBOX COVER R/S EFI	05
11	60006003050	GASKET F. AIRBOX COVER L/S R/S	2
12	61106001000	FILTER BOX LOWER PART	1
13	0017060203	EJOT PT SCREW K60X20 WS=6	6
14	61006001030	RUBBER SLEEVE F. THR. CABLE 05	1
15	61006001020	SAS-BRACKET PANEL	05
16	54603048100	RANGE CHANGE METAL NUT M6	2
17	60006001021	DISTANCE RUBBER AIRBOX	03
18	0025060166	HH COLLAR SCREW M6X16 TX30	2
19	61136044000	RUBBERSLEEVE INTAKE FLANGE	2
21	60006001041	RUBBER SLEEVE FUEL HOSE	03
22	58111076000	CABLE SUPPORT KHS NR.150-47610	1
23	57005020001	HOSE 10X14 PER METER	x

086110610 / C096110610

\* NEW PART

X AS REQUIRED

# FUEL PUMP

990 SUPER DUKE R EU 2010

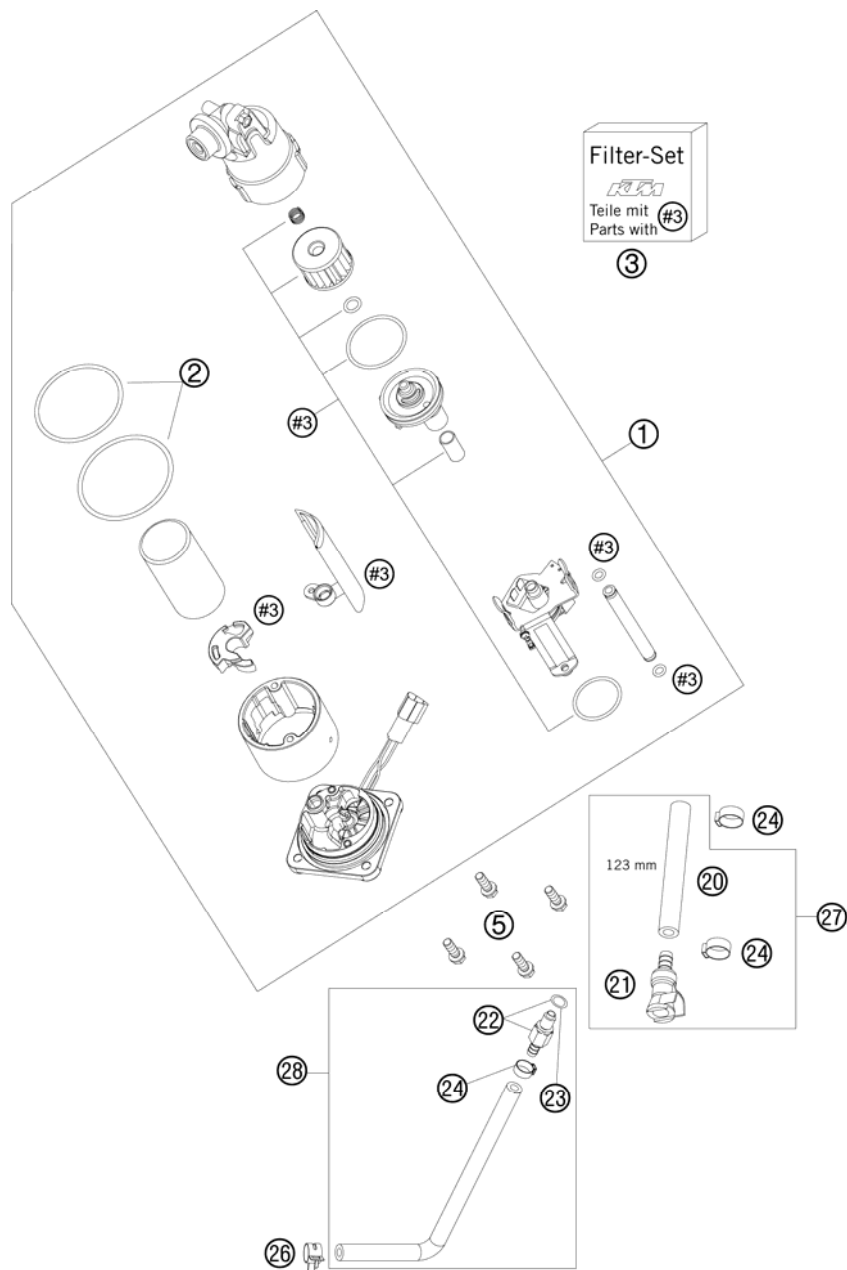


FIG	PART NUMBER	DESCRIPTION	QTY
1	61007088200	PUMP WITHOUT RESERVE INDICATOR	1
2	61007089000	O-RING SET FOR FUEL PUMP 05	1
3	61007090000	FILTER-SET FUEL PUMP 05	1
5	0025060166	HH COLLAR SCREW M6X16 TX30	4
20	60007016001	HOSE 7,5X13,5 PER METER	x
21	5850701050030	CLUTCH CPC BLACK 05	1
22	5850701030030	PLUG CPC BLACK 05	1
23	58507012000	O-RING VITON F. PLUG CPC 05	1
24	00050153706	VARIABLE ONE-EAR CLAMP 15,3MM	3
26	00049140121	CLAMP STD DN14	1
27	60107016151	FUEL HOSE CPL. 08	1
28	61007116050	FUEL HOSE 1 CPL.	1

086110731 / C096110731

\* NEW PART

X AS REQUIRED

# TANK, SEAT, COVER

990 SUPER DUKE R EU 2010

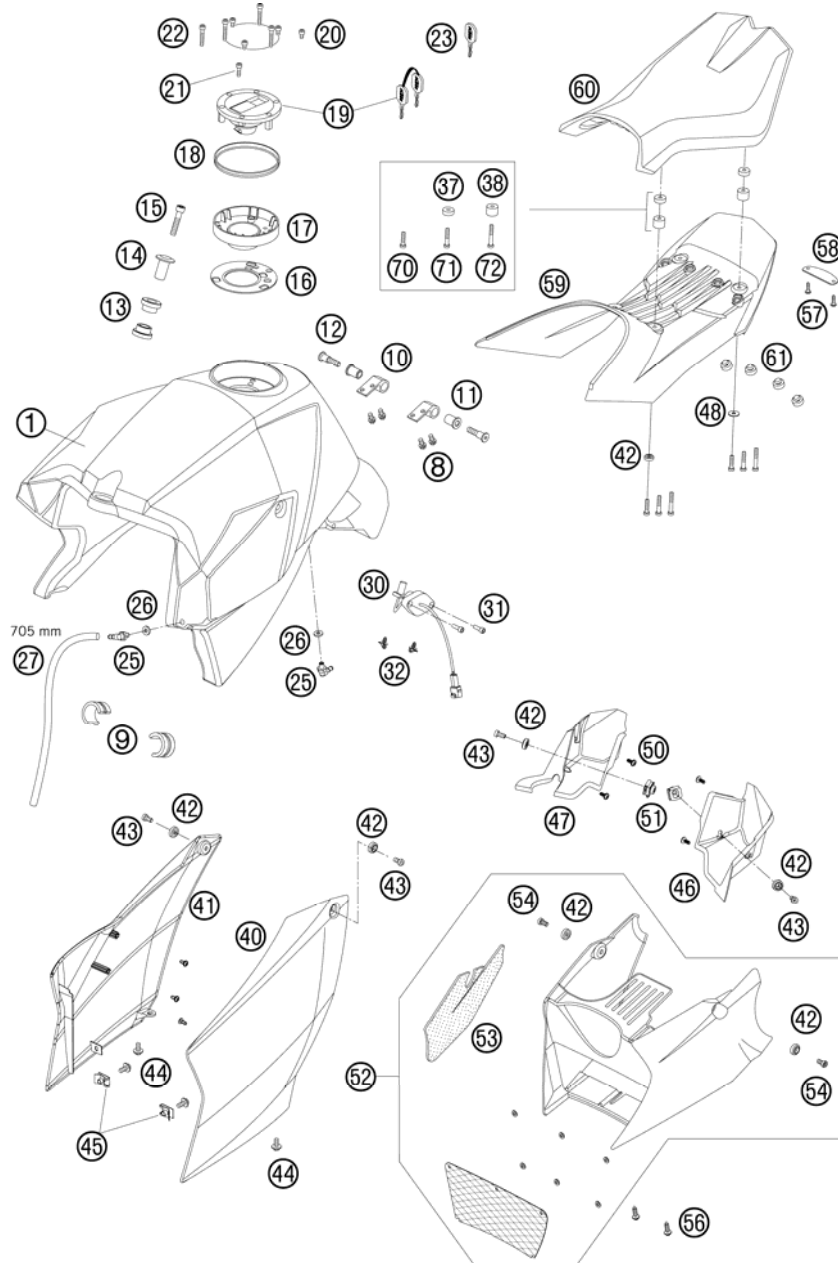


FIG	PART NUMBER	DESCRIPTION	QTY
1	6110701300033A	FUEL TANK SD-R 07	1
8	0025060126	HH COLLAR SCREW M6X12 TX30	4
9	61007014000	SPACER FUEL TANK 05	2
10	61007025000	BRACKET FUEL TANK 05	2
11	61007027000	RUBBER BEARING FUEL TANK 05	2
12	61007026000	SPECIAL SCREW M10X36 AH 05	2
13	61007065000	TANK RUBBER BUSHING FRONT 05	2
14	61007060000	BEARING BUSHING OUTSIDE 05	1
15	0912080403	AH SCREW DIN912 M8X40	1
16	60007008051	SEAL. FLANGE F.TANK INSERT 03	1
17	60007008150	TANK INSERT 05	1
18	60007008052	SEAL. RING F. TANK INSERT 03	1
19	61007008000	TANK PLUG CPL. 05	1
20	0912050083	AH SCREW DIN 912 M 5X8	3
21	0912050123	AH SCREW DIN0912-M 5X12	1
22	0912050303	AH SCREW DIN0912-M 5X30	3
23	40011166150	KEY MILLED	x
25	60007024000	CONNECT.PIECE F.OVERFLOW M7 03	2
26	60007024050	GASKET FOR CONNECTING PIECE 03	2
27	60007026001	HOSE NBR 5,4X9,4 PER METER	x
30	58207080200	GAS LEVEL SENSOR 07	1
31	0912050163	AH SCREW DIN0912-M 5X16	2
32	61011094000	CABLE TIE WITH PLUG M6	2
37	61107148007	SPACER BUSHING SEAT 7MM 07	4
38	61107148015	SPACER BUSHING SEAT 15MM 07	4
40	6110805000020B	SPOILER L/S WHITE WITH DECAL	1
41	6110805100020B	SPOILER R/S WHITE WITH DECAL	1
42	60008045000	SPECIAL WASHER D=16,5MM 03	8
43	0012060123	AH SCREW DIN6912 M6X12	4
44	0024060136	HH COLLAR SCREW M6X13 TX30	4
45	54603048100	RANGE CHANGE METAL NUT M6	2
46	61108050050	INNER COVER SPOILER LEFT 07	1
47	61108051050	INNER COVER SPOILER RIGHT 07	1

086110714 / C106110714

\* NEW PART

X AS REQUIRED



# TANK, SEAT, COVER

990 SUPER DUKE R EU 2010

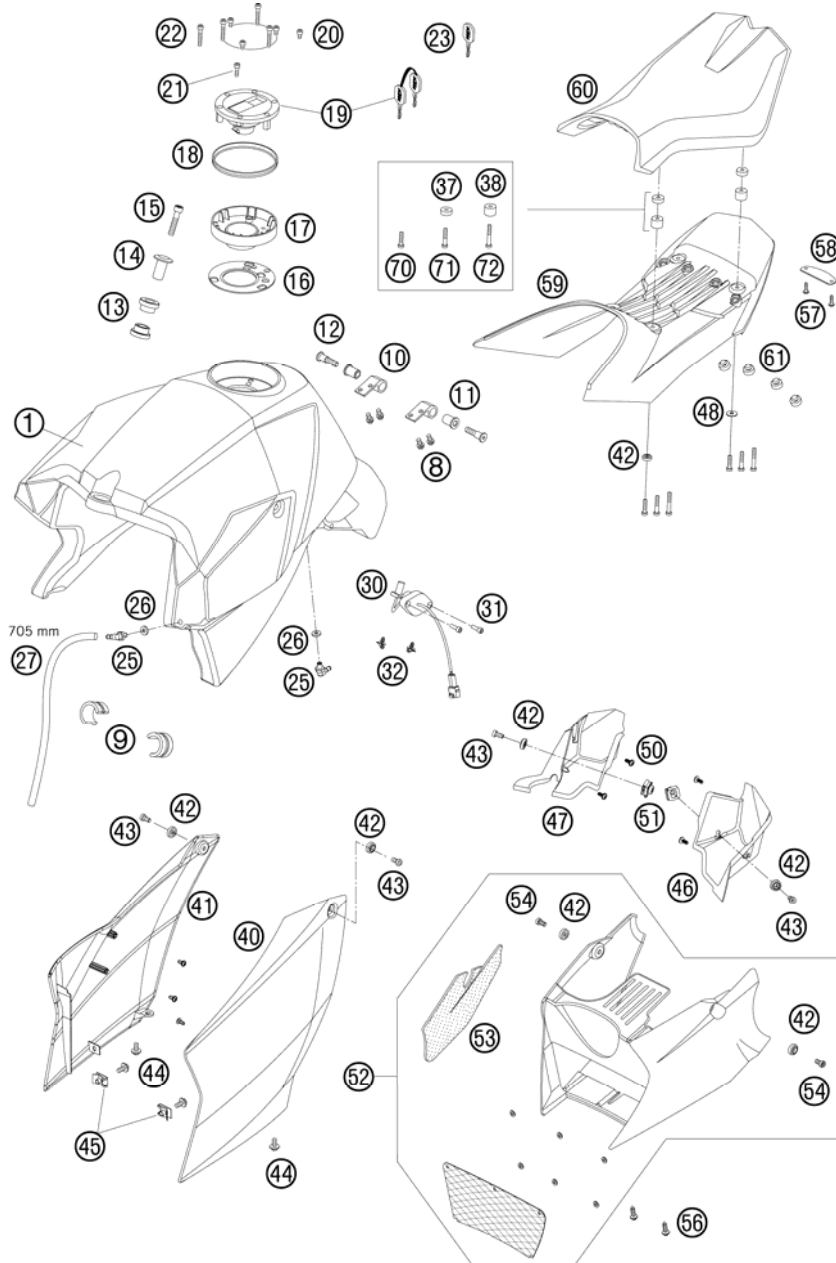


FIG	PART NUMBER	DESCRIPTION	QTY
48	0021060003	WASHER DIN9021-A 6,4	2
50	0016050121	SCREW FOR PLASTIC 50X12	3
51	50235033300	SNAP-NUT HOLDER M6 KP142	2
52	6100802014420B	FRONT-END SPOILER CPL. WHITE WITH DECAL	1
53	61008020150	THERMAL PROTECTION FOIL 07	1
54	0012060164	AH SCREW DIN6912 M6X16 SL	2
56	0017060203	EJOT PT SCREW K60X20 WS=6	2
57	0081050181	SCREW FOR PLASTIC K50X18 T20	2
58	61107147060	LATCH SEAT SUPPORT 07	1
59	61107147000	SEAT SUPPORT 07	1
60	61107140000	SEAT 07	1
61	58407040060	PLUG FOR SEAT	6
70	0984060163	AH SCREW DIN6912-M 6X16	4
71	0984060203	AH SCREW DIN6912-M 6X20 8.8	4
72	0012060303	AH SCREW DIN6912 M6X30 8.8	4

086110714 / C106110714

\* NEW PART

X AS REQUIRED

# MASK, FENDERS

990 SUPER DUKE R EU 2010

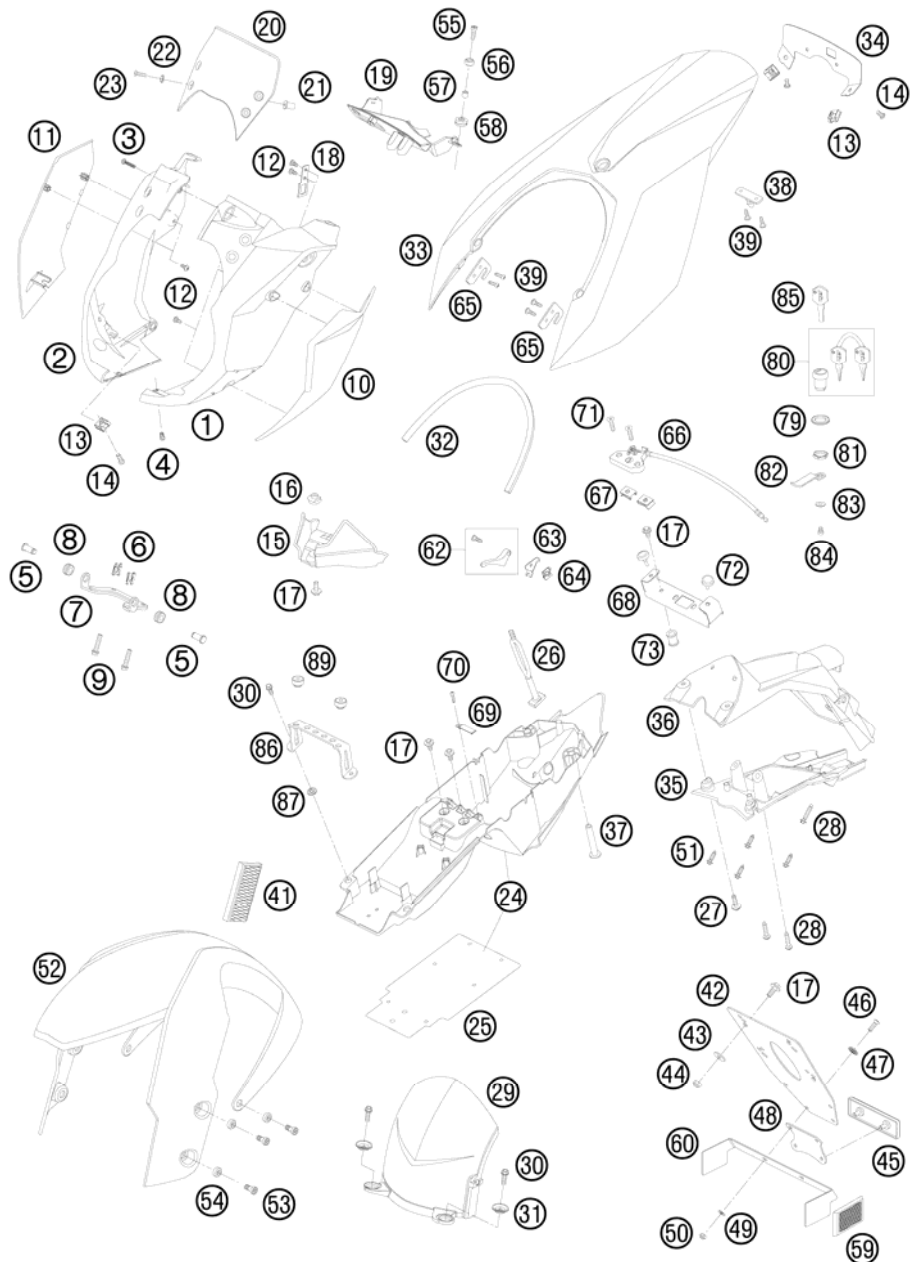


FIG	PART NUMBER	DESCRIPTION	QTY
1	61108001000	HEAD LIGHT MASK LEFT 07	1
2	61108002000	HEAD LIGHT MASK RIGHT 07	1
3	0016050253	SCREW FOR PLASTIC 03	1
4	61103088000	EXPANDING RIVET PA6 BLACK	1
5	60013057000	BOLT F. LINK FORK 8X20X16,5	2
6	60013058000	SECURING CLIP D=8MM 03	2
7	58708002000	HINGE JOINT BOTTOM 99	1
8	31008060000	RUBBER SLEEVE D=8MM OPEN	2
9	0025060456	HH COLLAR SCREW M6X45 TX30	2
10	6110800300020A	MASK SPOILER L/S WHITE 08	1
11	6110800400020B	MASK SPOILER RIGHT WHITE	1
12	0016050121	SCREW FOR PLASTIC 50X12	7
13	54603048300	RANGE CHANGE METAL NUT M6 INOX	3
14	0738060121	OVAL HEAD SCREW ISK. ISO7380	3
15	61003094000	SPLASH PROTECT. FRAME HEAD 05	1
16	50235033300	SNAP-NUT HOLDER M6 KP142	1
17	0024060156	HH COLLAR SCREW M6X15 TX30	9
18	61111020050	BRACKET STARTER 07	1
19	61108005000	SPEEDOMETER BRACKET 07	1
20	61108065000	WIND SHIELD 07	1
21	60008008050	BLIND PLUG-IN NUT M5 WN 16A 03	4
22	60008046000	SPECIAL WASHER D=12MM 03	4
23	0019050201	COUNTERSUNK SCREW ISA25 M5X20	4
24	61108119044	REAR END LOW. PART CPL. 07	1
25	61108121000	THER.PROT.FOIL RR LOW.PART07	1
26	50303018000	RUBBER L=145MM	1
27	0024060256	HH COLLAR SCREW M6X25 TX30	2
28	0017060303	SPECIAL SCREW T60 6X30 WS=6	3
29	61008014000	SPLASH PROTECT. 05	1
30	0025060166	HH COLLAR SCREW M6X16 TX30	4
31	72210079000	BUCKET	2
32	61108118070	EDGE PROTECTOR L=446MM 07	1
33	6110811803320A	REAR-END HIGH.P. MONOS.CPL	1
34	61108118085	SUPPORT PLATE TAILLIGHT 07	1
35	61108115000	NUM. PLATE SUPPORT LO. PART 07	1

106110813 / C106110813

\* NEW PART

X AS REQUIRED

# MASK, FENDERS

990 SUPER DUKE R EU 2010

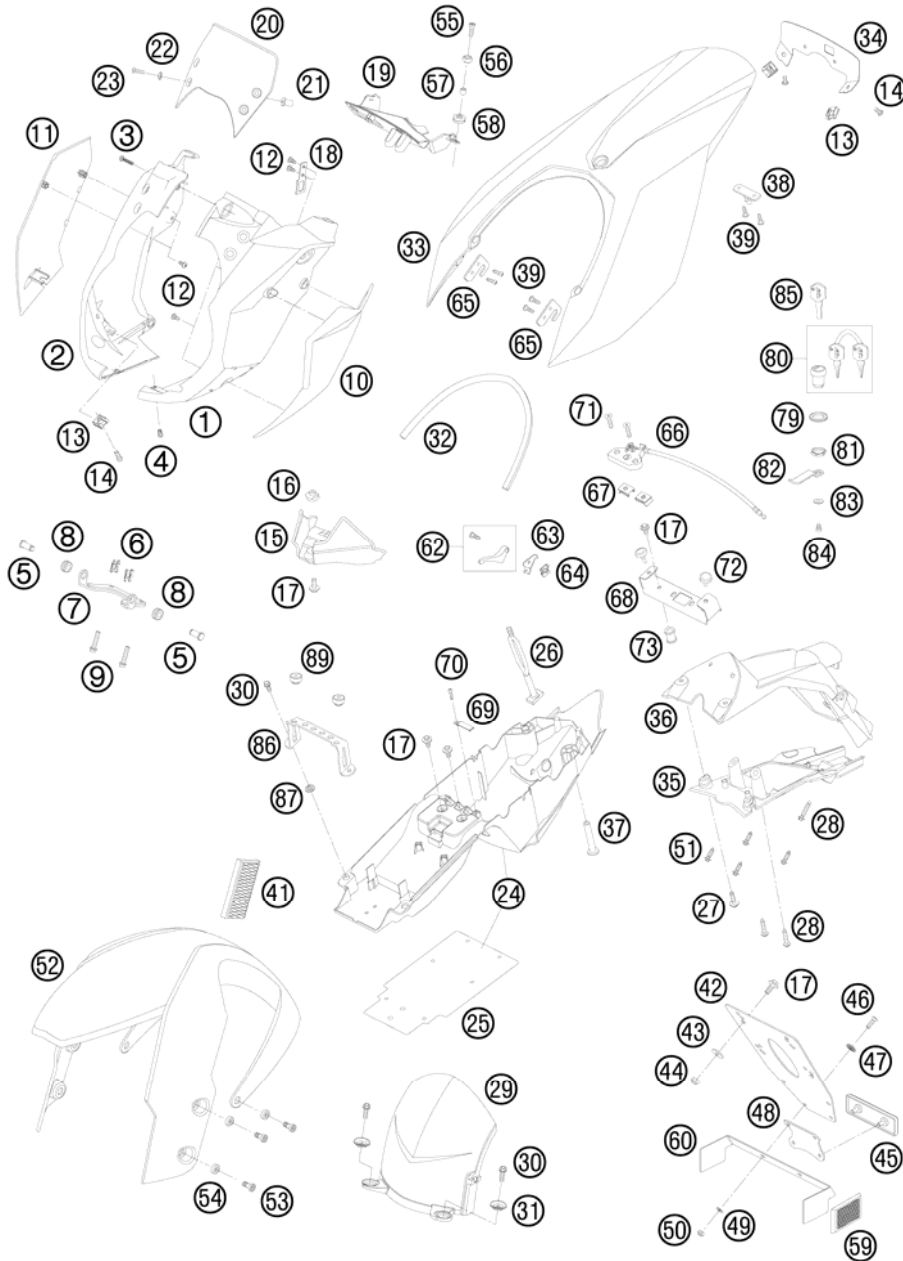


FIG	PART NUMBER	DESCRIPTION	QTY
36	61108122000	NUM. PLATE SUPPORT UP. PART 07	1
37	61108130000	BOLT REAR END LOWER PART 07	2
38	61107140060	SEAT PEG CPL. 07	1
39	0081500181	SCREW FOR PLASTIC D=5X18	6
41	58412080100	REFLECTOR YELLOW '99 ONLY FOR AUS+USA	2
42	60012081200	LICENCE FITTING 06	1
43	0021060003	WASHER DIN9021-A 6,4	4
44	0985060003	SELF LOCK. NUT DIN0985-M 6	4
45	58412080000	REFLECTOR RED LC4 '98	1
46	0966050163	OVAL HEAD SCREW DIN0966-M 5X16	2
47	40006006000	WASHER 6MM	2
48	58412080050	BRACKET FOR REFLECTOR	1
49	0125050003	WASHER DIN0125-A 5,3	2
50	0985050003	SELF LOCKING NUT DIN0985-M 5	2
51	0017060203	EJOT PT SCREW K6X20 WS=6	4
52	6110801000030	FRONT FENDER BLACK 07	1
53	0012060164	AH SCREW DIN6912 M6X16 SL	6
54	61108045000	SPECIAL WASHER	6
55	0984060252	AH SCREW DIN6912 M6X25	2
56	60008045000	SPECIAL WASHER D=16,5MM 03	2
57	61108006100	COLLAR BUSHING 6,2X7,5X12,5	2
58	58214069051	RUBBER GROMMET 16X10,8X3 02	2
59	16512180100	SIDE REFLECTOR RED REAR ONLY FOR USA	2
60	62512081000	BRACKET SIDE REFLECTOR 06 ONLY FOR USA	1
62	58607051044	LEVER + SCREW CPL. 05	1
63	61107154000	SUPP. PLATE SEAT LOCK LEVER 07	1
64	54603048200	RANGE CHANGE METAL NUT M5	1
65	61108118080	SUPPORT REAR END UP. PART 07	2
66	60007050000	SEAT LOCK LC8 ADV. 03	1
67	54603048100	RANGE CHANGE METAL NUT M6	2
68	61108118090	SUPPORT PLATE REAR END LOCK 07	1
69	61108119080	SUPPORT PLATE CABLE HARNESS 07	1

106110813 / C106110813

\* NEW PART

X AS REQUIRED

# MASK, FENDERS

990 SUPER DUKE R EU 2010

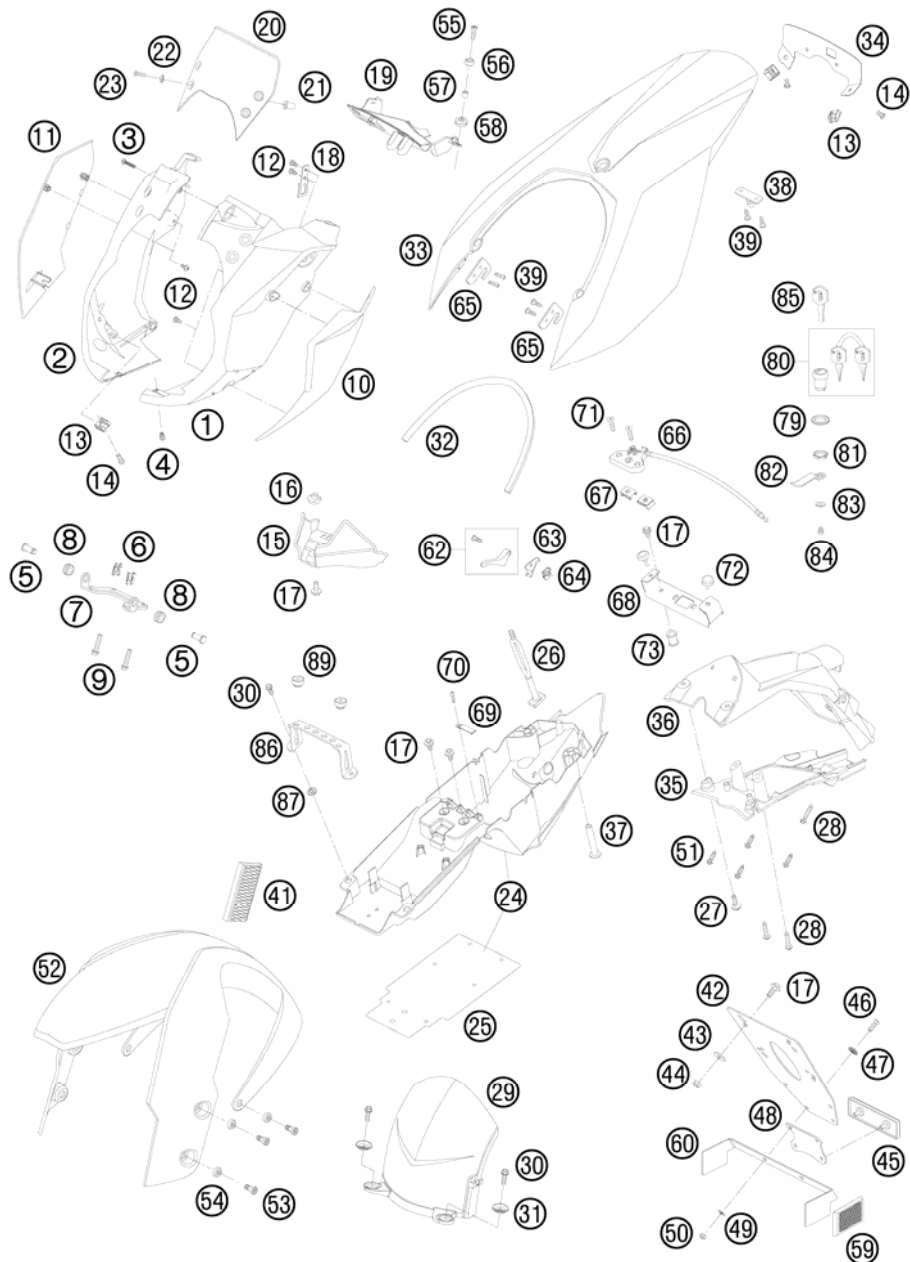


FIG	PART NUMBER	DESCRIPTION	QTY
70	0016040183	SCREW FOR PLASTIC D=4X18	1
71	0991060253	FLAT HEAD SCREW DIN7991-M 6X25	2
72	60006001021	DISTANCE RUBBER AIRBOX 03	2
73	61108129000	BUSHING REAR END LOWER PART 07	2
79	61007050050	WASHER TR12.01 05	1
80	61007050000	SEAT LOCK 05	1
81	61007050030	NUT M19 X1 AF36 05	1
82	61107153100	LATCH SEAT SB-SCHL. 07	1
83	61007050010	WASHER AF150 05	1
84	61007050020	SCREW M4 AF32 05	1
85	40011166150	KEY MILLED	x
86	61107149000	BRACKET SEAT SUPPORT 07	1
87	50308052000	BUSH FOR SPOILER 6X11X16X5 MM	2
89	58407040060	PLUG FOR SEAT	2

106110813 / C106110813

\* NEW PART

X AS REQUIRED

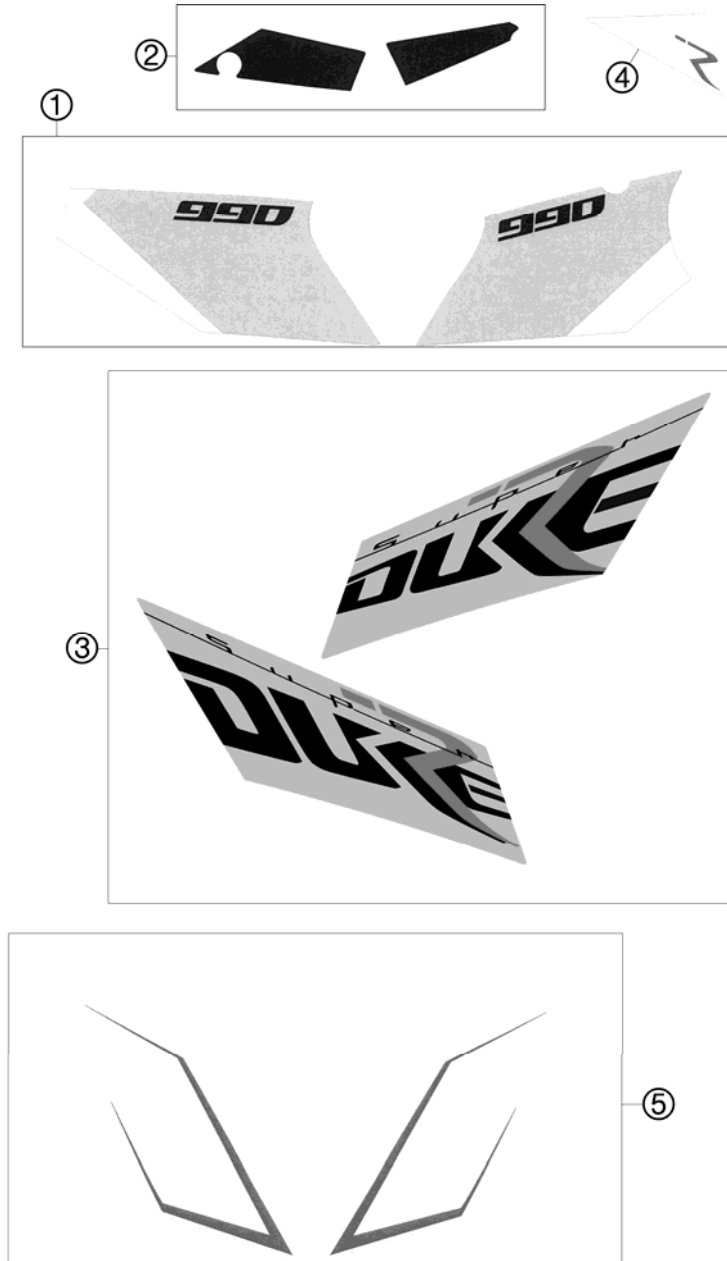


FIG	PART NUMBER	DESCRIPTION	QTY
1	61008099400	DISPLACEME. STICKER 09	1
2	61008096100	STICKER BUGSPOILER BLACK 05	1
3	61108098400	STICKER SPOILER 09	1
4	61108197100	STICKER MASK SPOILER R 09	1
5	61108196100	STICKER REAR END TOP PART 09	1

096110831 / C106110831

\* NEW PART

X AS REQUIRED

# FRONT WHEEL

990 SUPER DUKE R EU 2010

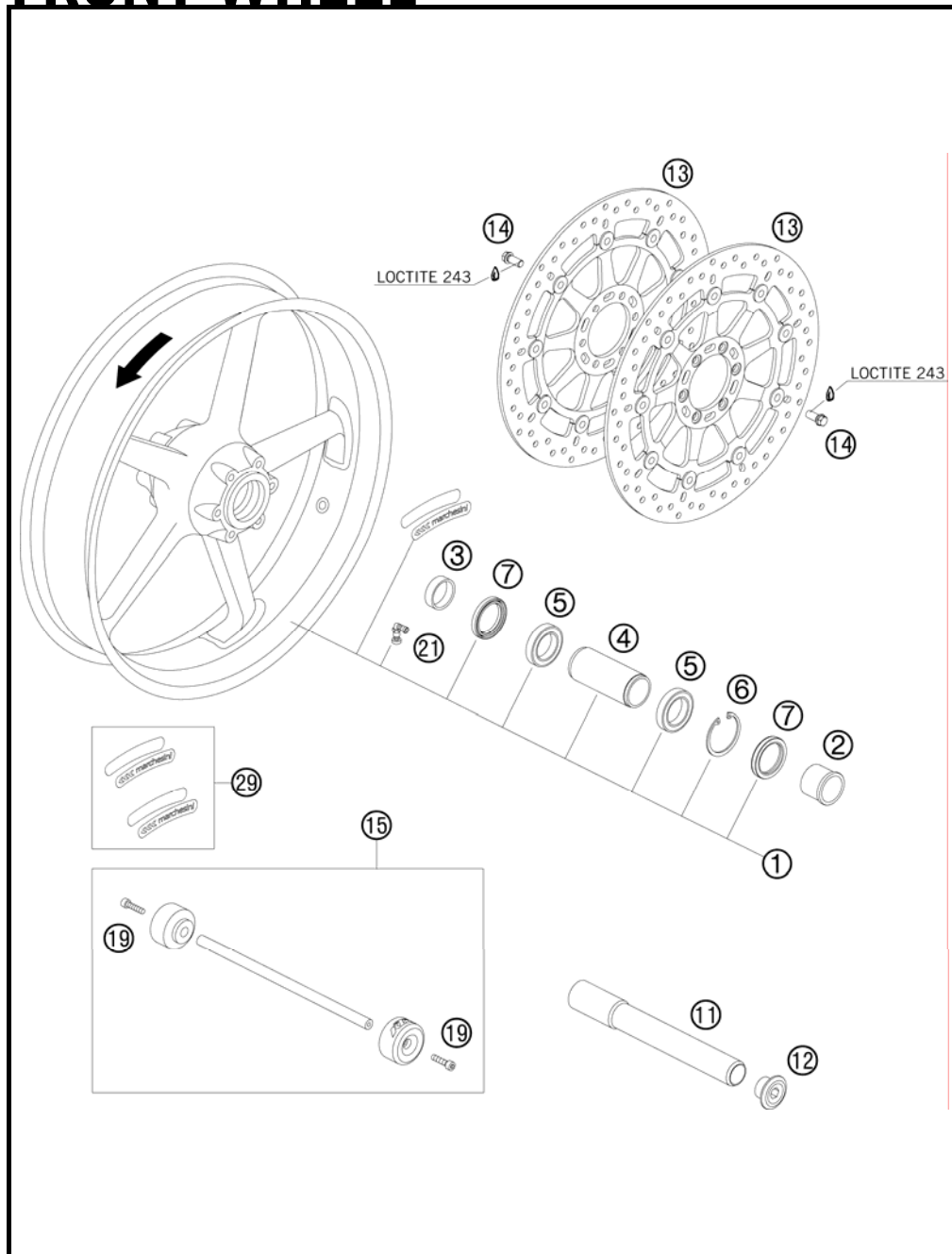


FIG	PART NUMBER	DESCRIPTION	QTY
1	6110900104430	FRONT WHEEL CPL. BLACK SD-R 09	1
2	61009012000	SPACER BUSH. FR. WHEEL L/S 05	1
3	60009013000	SPACER BUSH. FR. WHEEL R/S 03	1
4	61009011000	BEARING SPACER TUBE FRONT 05	1
5	0625069068	GR.BALL BEAR.6906 DDU2CG23S6NM	2
6	0472048175	LOCK RING DIN0472-48X1,75	1
7	0760354771	SHAFT SEAL RING 35X47X7 TC	2
11	61009081000	WHEEL SPINDEL FRONT 05	1
12	61009082000	AH SCREW M25X1,5 WS=12 05	1
13	6100906000030	BRAKE DISK FRONT 320MM 07	2
14	61009062018	SPECIAL SCREW M8X18 05	12
15	61003045200	CRASH PADS FRONT	1
19	0912060353	AH SCREW DIN0912-M 6X35	2
21	61009076000	VALVE ANGLED 90° 05	1
29	00050000120	STICKER MARCH. 2L/S+2R/S WHITE	1

086110911 / C096110911

\* NEW PART

X AS REQUIRED

# REAR WHEEL

# 990 SUPER DUKE R EU 2010

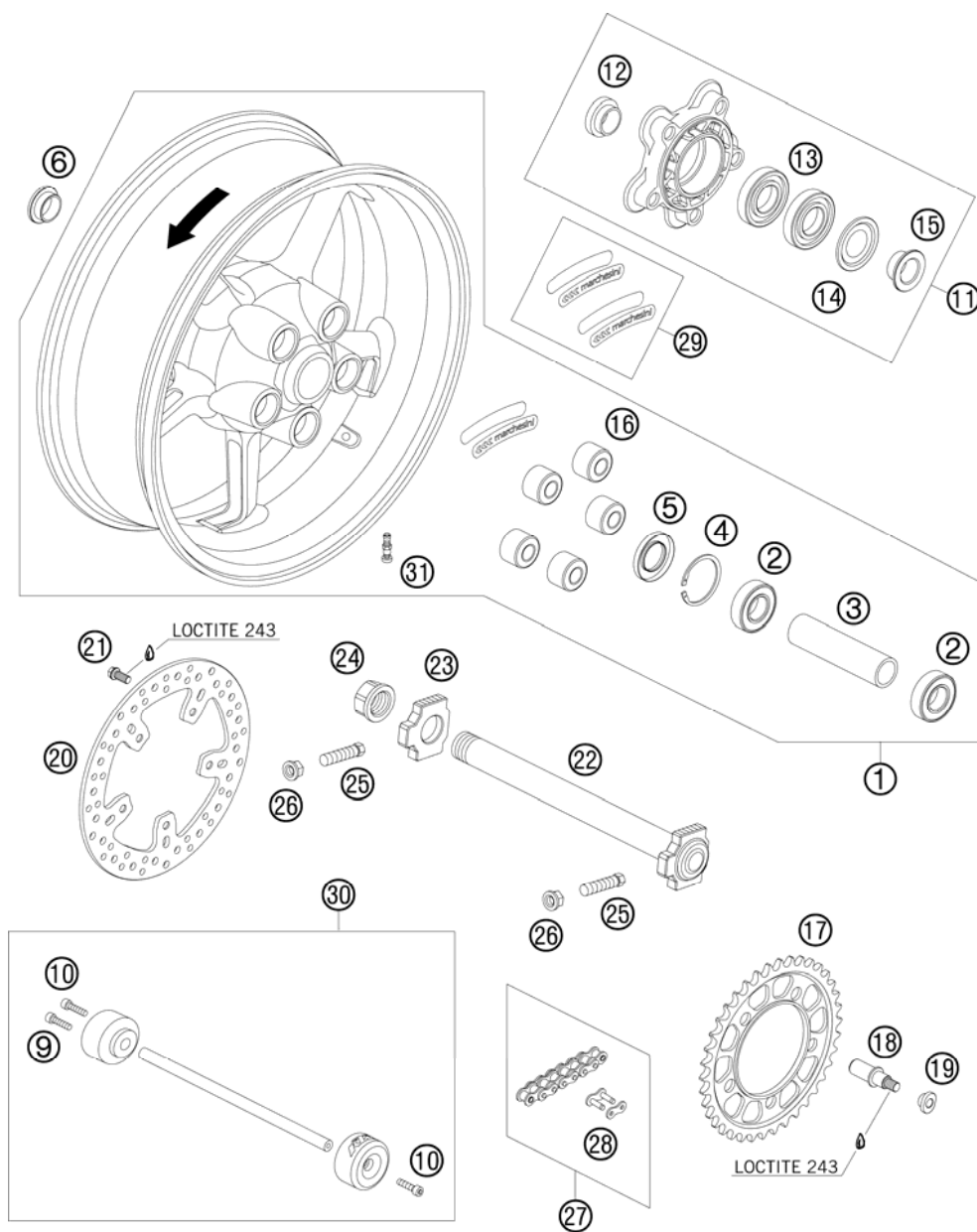


FIG	PART NUMBER	DESCRIPTION	QTY
1	6111000104430	REAR WHEEL CPL. BLACK SD-R 09	1
2	0625062052	GR.BALL BEAR. 6205-2RSHC3HMTF7	2
3	61010011000	BEARING SPACER TUBE REAR 05	1
4	0472052200	CIRCLIP DIN0472-52X2	1
5	0760305271	SHAFT SEAL RING 30X52X7	1
6	60010013000	SPACER BUSH. REAR WHEEL R/S 03	1
9	0912060453	AH SCREW DIN0912-M 6X45	1
10	0912060303	AH SCREW DIN0912-M 6X30	2
11*	6901005004430	SPROCKET SUPPORT CPL. BLACK	1
12	60110014000	SPACER BUSH. SPR. SUPP. IN. 06	1
13	0625060060	BALL BEARING 6006 DDU2CG23S6NM	2
14	60110016000	NILOS RING 6006AV	1
15	60110012000	SPACER BUSH. SPROCKET SUPP. 06	1
16	61010059000	DAMPING RUBBER 05	5
17	61010051138	REAR SPROCKET 38-T STEEL 05	1
17	61010051139	REAR SPROCKET 39-T STEEL 05	x
17	61010051140	REAR SPROCKET 40-T STEEL 05	x
18	61010056000	BOLT FOR SPROCKET SUPPORT 05	5
19	61010057000	NUT REAR SPROCKET 05	5
20	61010060000	BRAKE DISK REAR D=240MM 05	1
21	61009062018	SPECIAL SCREW M8X18 05	5
22*	60010081144	WHEEL SPINDLE REAR CPL.	1
23	60010084000	CHAIN TENSIONER R/S LC8 03	1
24	61010086000	COLLAR NUT M25X1,5 WS=32 05	1
25	50304040100	SCREW M10X1,25X50 WS=10	2
26	58414030000	HH COLLAR NUT M10X1,25 WS=13	2
27	60010365118	CHAIN 525 INCL. MASTER LINK NEEDS RIVET TOOL	1
28	60010266000	MASTER LINK FOR CHAIN 525 07	x
29	00050000120	STICKER MARCH. 2L/S+2R/S WHITE	1
30	61003046200	CRASH PADS REAR	1
31	58709076000	VALVE CPL. BREMBO DUKE 2003	1

086111011 / C096111011

\* NEW PART

X AS REQUIRED

# WIRING HARNESS

990 SUPER DUKE R EU 2010

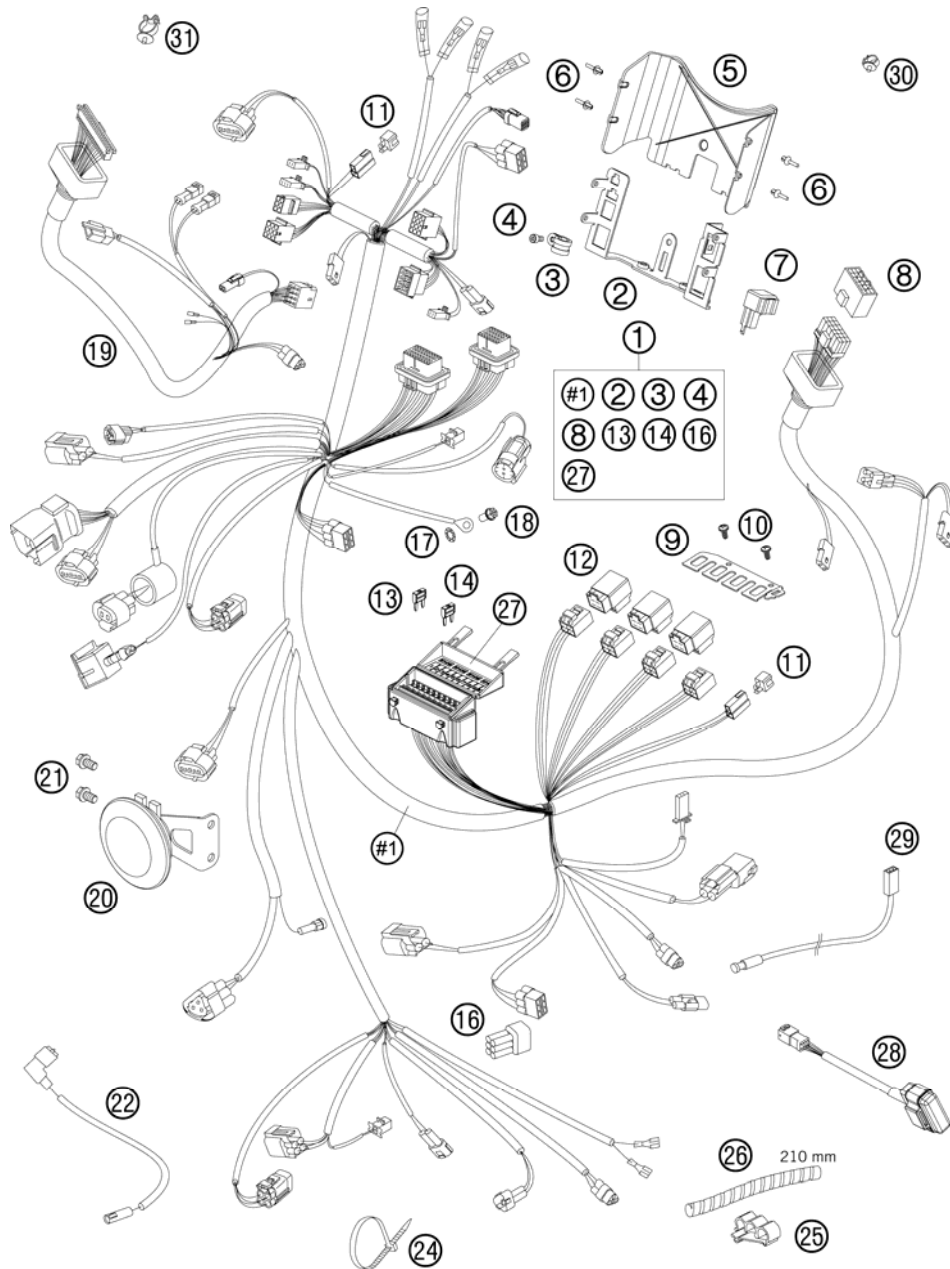


FIG	PART NUMBER	DESCRIPTION	QTY
1	6111175000	MAIN WIRING HARNESS SD-R	08
2	61011083000	BRACKET FOR PLUGS CPL.	05
3	49007439000	CLAMP RSGU 15/12	1
4	0912050103	AH SCREW DIN0912-M 5X10	1
5	61011083020	BRACKET FOR PLUGS COVER	05
6	60003088000	PLASTIC CAP FOR M6	03
7	44611207200	FLASHER UNIT	97
8	61011075020	DUMMY PLUG ALARM SYSTEM	05
9	61111057050	BRACKET RELAY	07
10	0016050121	SCREW FOR PLASTIC 50X12	2
11	58411096100	DIODE S3H-15	97
12	61111057000	RELAY CM1A-R-12V-H80	07
13	75011088010	FUSE 10A	07
14	75011088015	FUSE 15A	07
16	000700000BH	SPARE CONNECTOR BH 6-PINS	1
17	58411098100	CONTACT WASHER M6 VSV-K6	1
18	0025060126	HH COLLAR SCREW M6X12 TX30	1
19	61111079000	WIRING HARNESS FRONT	07
20	61011060000	DC HORN CPL.	05
21	0025060106	HH COLLAR SCREW M6X10 TX30	2
22	60011092000	OIL-PRESSURE SWITCH CABLE	03
24	44011076100	% CABLE TIE 100/2,5MM BLACK	x
24	44011076200	CABLE TIE 200/3,6MM BLACK	x
24	44011076305	CABLE TIE 300/4,8MM BLACK	x
25	61011093000	WIRING HOLDER	05
26	58513001000	SPIRAL HOSE D=9MM PER METER	x
27	75011087050	RUBBER CASING FOR FUSE BOX	1
28	61111020000	STARTER INTERLOCK	1
29	61111018000	TEMPERATURE SENSOR	07
30	58111076000	CABLE SUPPORT KHS NR.150-47610	x
31	61111041000	CABLE SUPPORT	07

096111111 / C106111111

\* NEW PART

X AS REQUIRED



# BATTERY BOX

990 SUPER DUKE R EU 2010

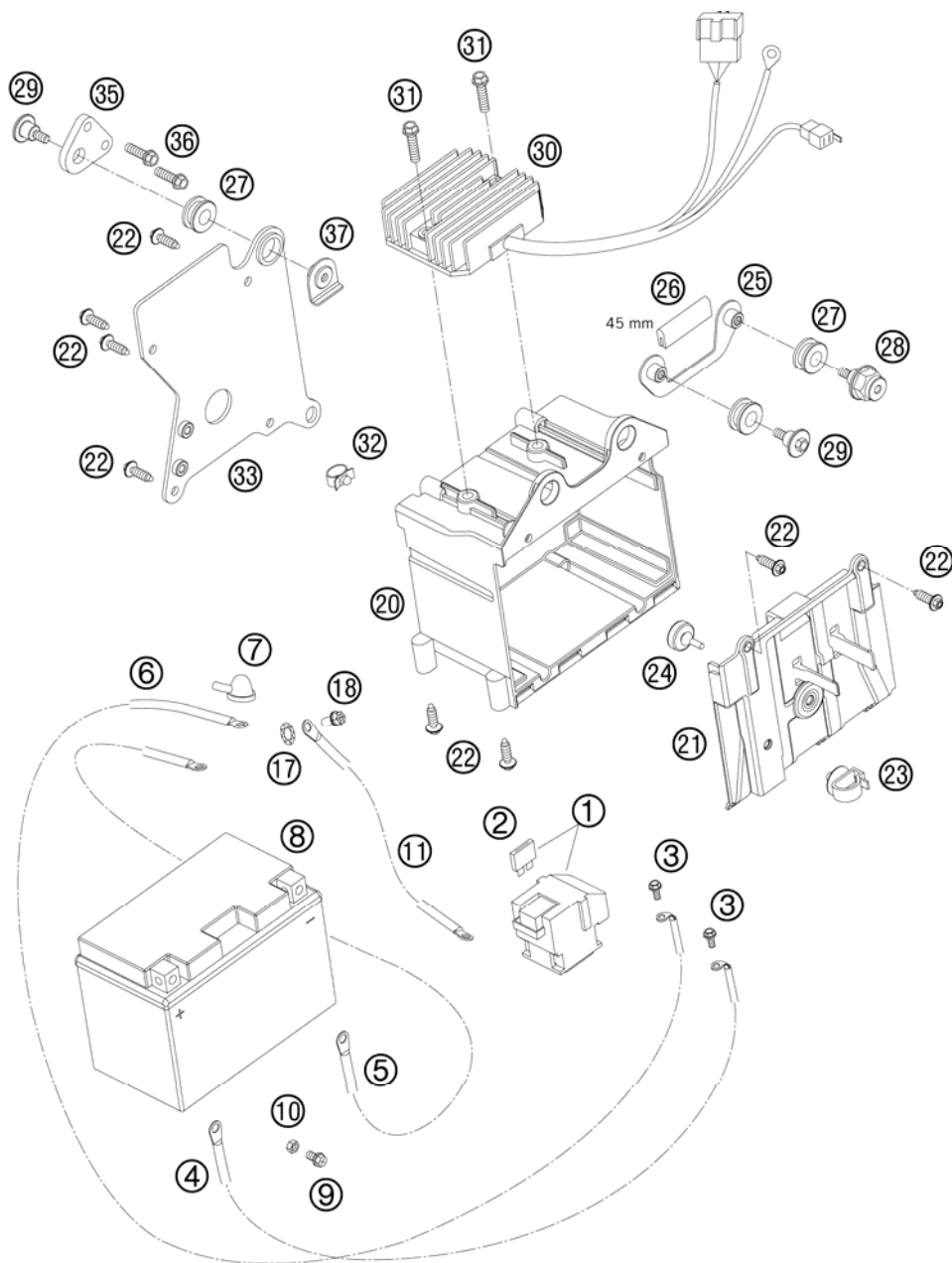


FIG	PART NUMBER	DESCRIPTION	QTY
1	60011058000	STARTER RELAY 03	1
2	58011109130	FUSE 30 A	x
3	0902060083	AH OVAL SCREW ISO 7380 M 6X8	2
4	61011059050	BATTERY CABLE L=230MM 05	1
5	61011097000	GROUND CABLE L=450MM 05	1
6	61011059000	STARTERCABLE L=820 MM	1
7	60040009000	RUBBER CAP STARTER PORT 03	1
8	60011053000	BATTERY 12V/11AH 03	1
9	0024060106	HH COLLAR SCREW M6X10 TX30	2
10	0934060003	HEXAGON NUT DIN0934-M 6	2
11	61111097000	GROUND CABLE 07	1
17	58411098100	CONTACT WASHER M6 VSV-K6	1
18	0025060126	HH COLLAR SCREW M6X12 TX30	1
20	61011054000	BATTERY BOX 05	1
21	61011054006	BATTERY BOX COVER 05	1
22	0017060203	EJOT PT SCREW K6X20 WS=6	8
23	58111076000	CABLE SUPPORT KHS NR.150-47610	1
24	60006001021	DISTANCE RUBBER AIRBOX 03	1
25	61011055033	ANTI-ROT. ELEMENT DUAL CPL. 05	1
26	58312085100	EDGE PROTECTOR PER METER	x
27	60003098000	RUBBER SLEEVE 03	3
28	61011055050	SPECIAL SCREW M6 WS19 05	1
29	60035001000	SPECIAL SCREW M6X21 WS=8	2
30	60011034100	VOLTAGE REGULATOR	1
31	0025060306	HH COLLAR SCREW M6X30 TX30	2
32	57013072100	WIRING HOLDER 16MM	1
33	61011057033	BATTERY BOX SUPPORT R/S CPL.	1
35	61011056020	BATTERY SUPPORT 05	1
36	0025060206	HH COLLAR SCREW M6X20 TX30	2
37	61011056033	ANTI-ROTATION ELEMENT CPL. 05	1

096111130 / C106111130

\* NEW PART

X AS REQUIRED

# HAND BRAKE CYLINDER

990 SUPER DUKE R EU 2010

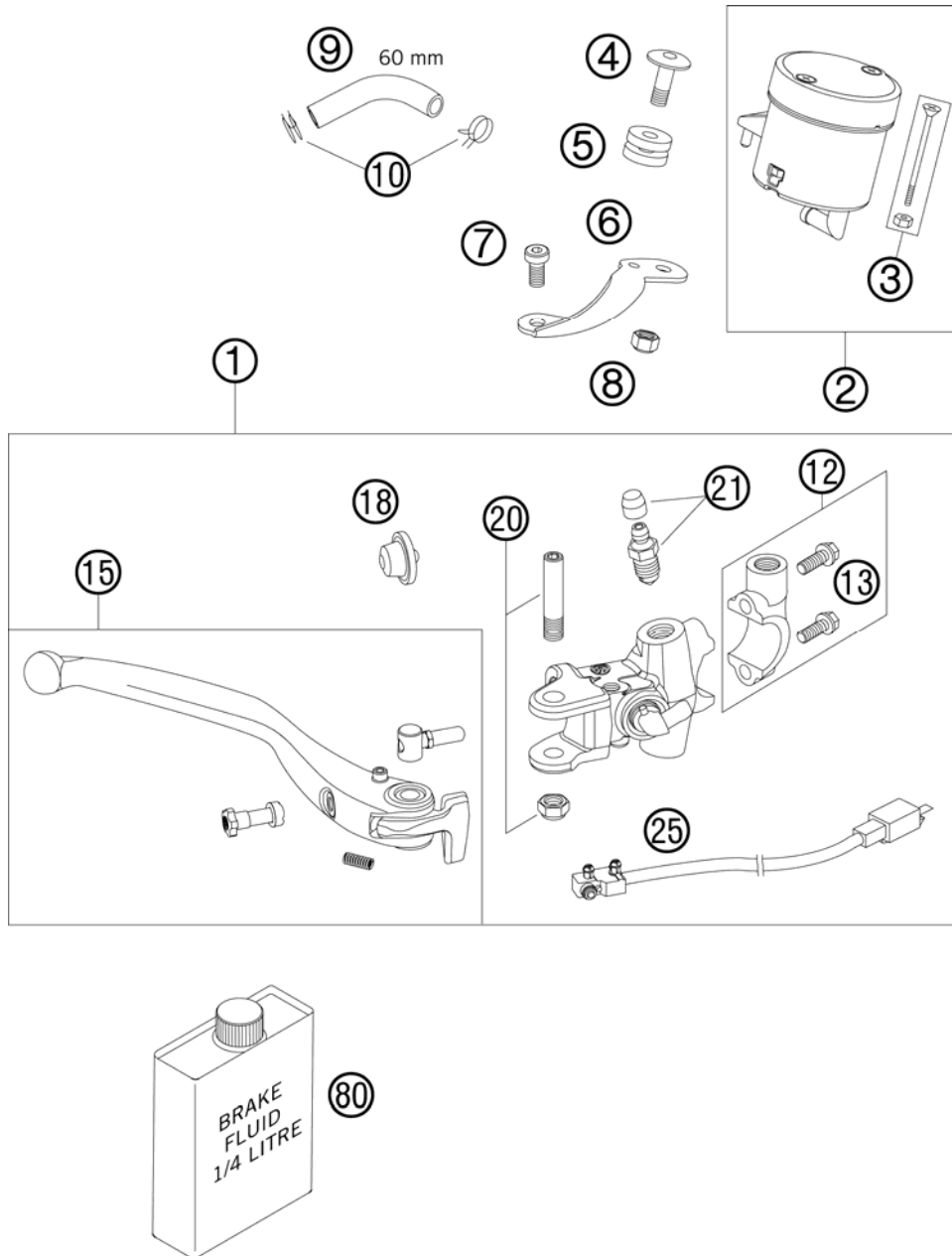


FIG	PART NUMBER	DESCRIPTION	QTY
1	61013001000	HAND BRAKE CYLINDER 05	1
2	61013009002	BRAKE FLUID RESERVOIR CPL.	1
3	61013009003	SCREW + NUT FOR RESERVOIR	2
4	61013013050	SCREW RET.PANEL-RESERVOIR	1
5	61013013000	RUBBER BUSH 05	1
6	61013009001	RET.PANEL FLUID RES. FRONT 05	1
7	61013021000	SCREW RET.PANEL-BRAKE CYLINDER	1
8	61013009004	NUT FOR RESERVOIR	1
9	58007016101	HOSE FOR RESERVOIR 6X1,5	1
10	58007017000	YDNAC CLAMP 10101 (9MM)	2
12	61013005000	CLAMP CPL. 05	1
13	0025060256	HH COLLAR SCREW M6X25 TX30	2
15	61013002044	HAND BRAKE LEVER 05	1
18	61013008000	RUBBER CUP 05	1
20	61013006000	LEVER SCREW CPL. 05	1
21	60013020000	BLEEDER SCREW WITH CAP	1
25	61011050000	BRAKE LIGHT SWITCH FRONT 05	1
80	00062030000	BRAKE FLUID DOT5.1 0,25L	1

086111310 / C096111310

\* NEW PART

X AS REQUIRED

# REAR BRAKE CONTROL

990 SUPER DUKE R EU 2010

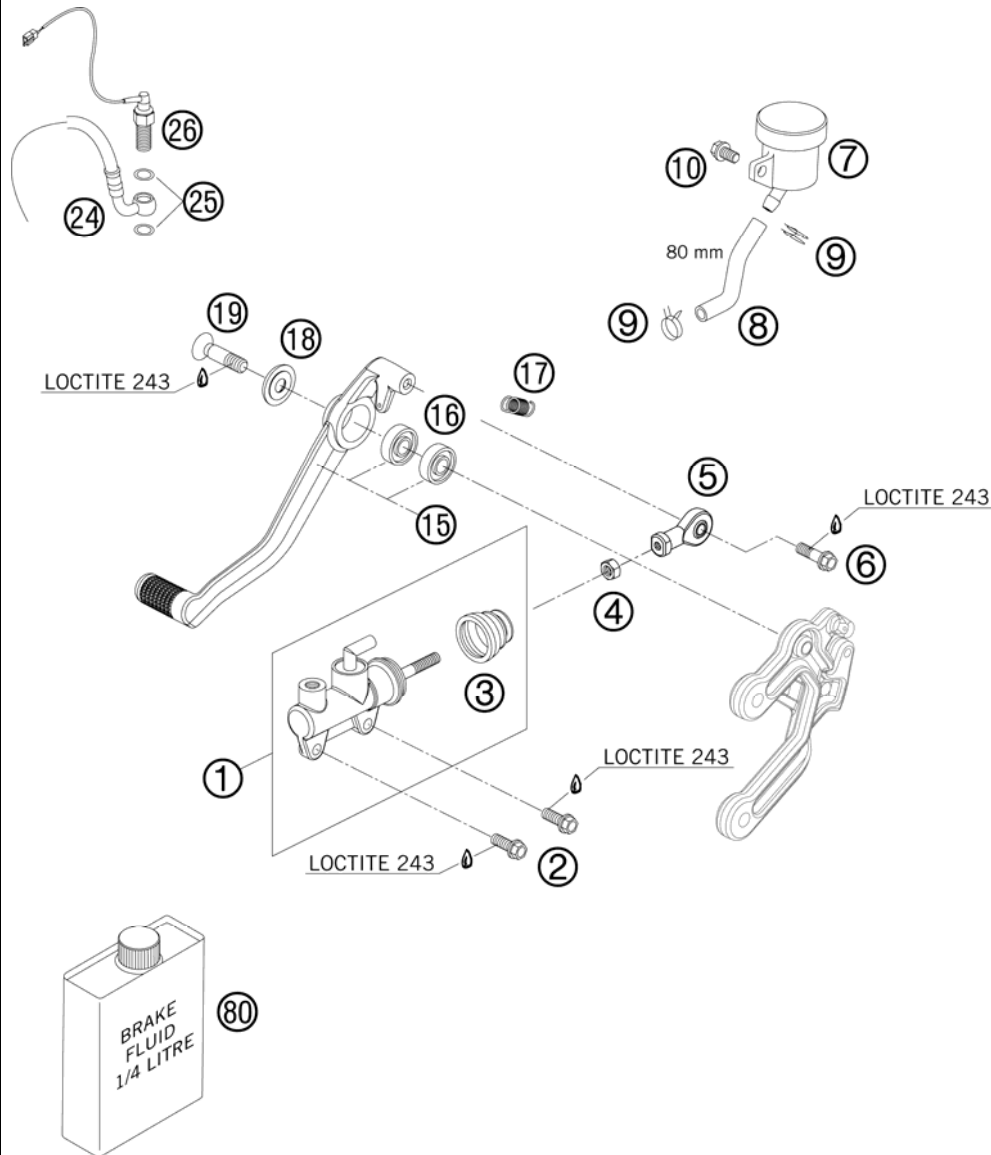


FIG	PART NUMBER	DESCRIPTION	QTY
1	61013060000	MAIN BRAKE CYLINDER 05	1
2	59009062016	SPECIAL SCREW M6X16 WS=8 10.9	2
3	61013064000	CUP FOR MAIN BRAKE CYLINDER	1
4	0934060003	HEXAGON NUT DIN0934-M 6	1
5	54603069000	SWIVEL HEAD M6 FOOT BRAKE LEV.	1
6	59009062019	SPECIAL SCREW M6X19 WS=8 10.9	1
7	61013069000	RESERVOIR REAR CPL. 05	1
8	58007016101	HOSE FOR RESERVOIR 6X1,5	1
9	58007017000	YDNAC CLAMP 10101 (9MM)	2
10	0025060106	HH COLLAR SCREW M6X10 TX30	1
15	6101305004433S	FOOT BRAKE LEVER CPL. 07	1
16	0625006087	GROOVED BALL BEAR. 608 2RS C3	2
17	61013052000	SPRING FOOT BRAKE LEVER 05	1
18	58303061200	SPECIAL WASHER ALU 8X24 MM	1
19	61013059000	FLAT HEAD SCREW M8X32 SL 05	1
24	61013072000	BRAKE PIPE REAR 05	1
25	0603100141	COPPER GASKET DIN7603-10X14X1	2
26	61011051000	BRAKE LIGHT SWITCH REAR 05	1
80	00062030000	BRAKE FLUID DOT5.1 0,25L	1

086111331 / C096111331

\* NEW PART

X AS REQUIRED

# BRAKE CALIPER FRONT

990 SUPER DUKE R EU 2010

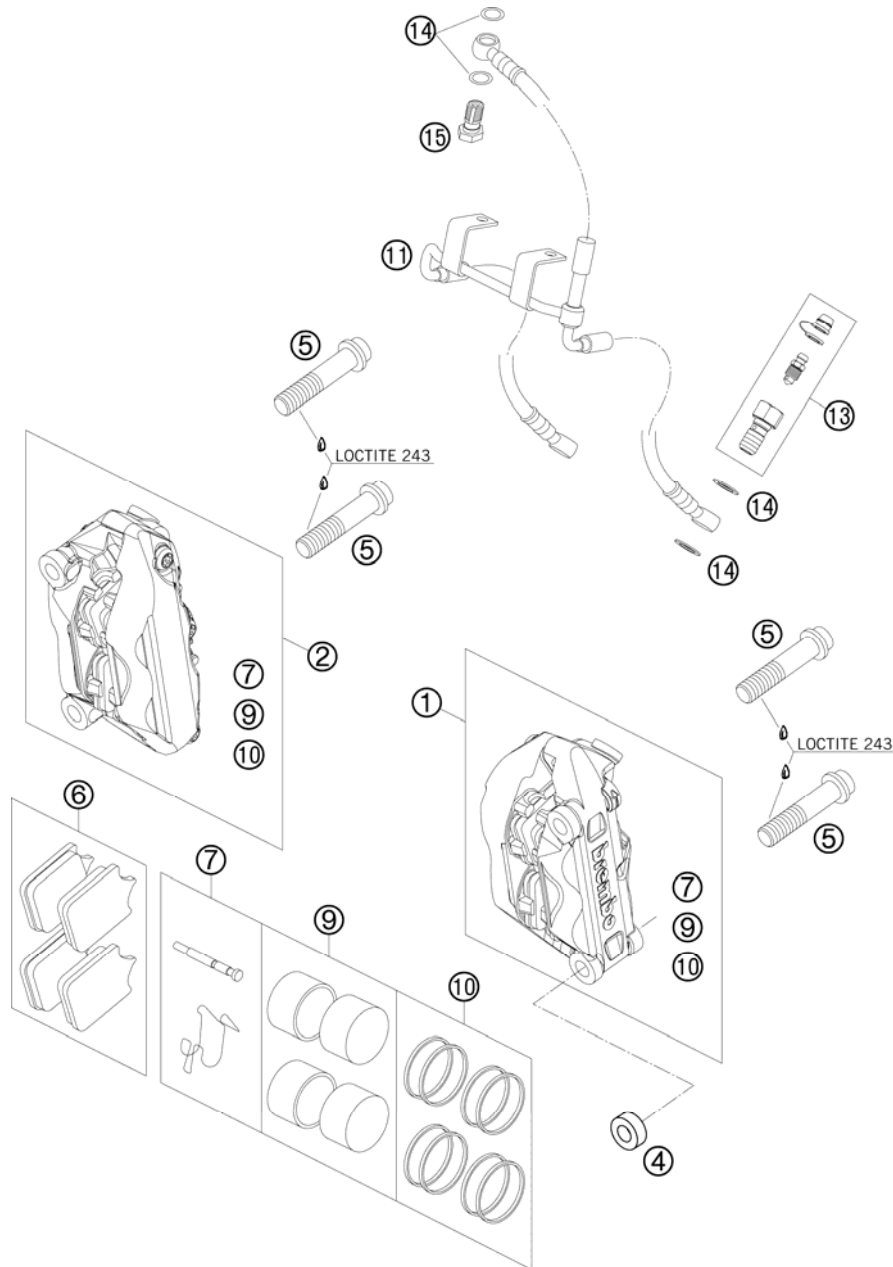


FIG	PART NUMBER	DESCRIPTION	QTY
1	6251311500130	CALIPER L/S BLACK WITHOUT PADS	1
2	6251311600130	CALIPER R/S BLACK WITHOUT PADS	1
4	6111302200033	SPACER BUSHING 10,1X20X7,5 07	4
5	0035100659	AH-COLLAR SCREW M10X1,25X65	4
6	61013030000	BRAKE PAD FR. TOSHIBA TT2172HH	x
6	61013030100	BRAKE PAD FR. HAWK 7342-49	2
7	61013018000	PINS + SPRINGS F. BRAKECALIPER	2
9	61013019000	BRAKE PISTONS 4X	2
10	61013019100	REP.KIT SEALING RINGS 4X	2
11	61113012000	FRONT BRAKING HOSE CPL.	1
13	62513020000	BLEEDER SCREW CPL. 05	2
14	0603100141	COPPER GASKET DIN7603-10X14X1	6
15	54813020100	HOLLOW SCREW BLACK M10X1X19	1

096111361 / C096111361

\* NEW PART

X AS REQUIRED

# BRAKE CALIPER REAR

990 SUPER DUKE R EU 2010

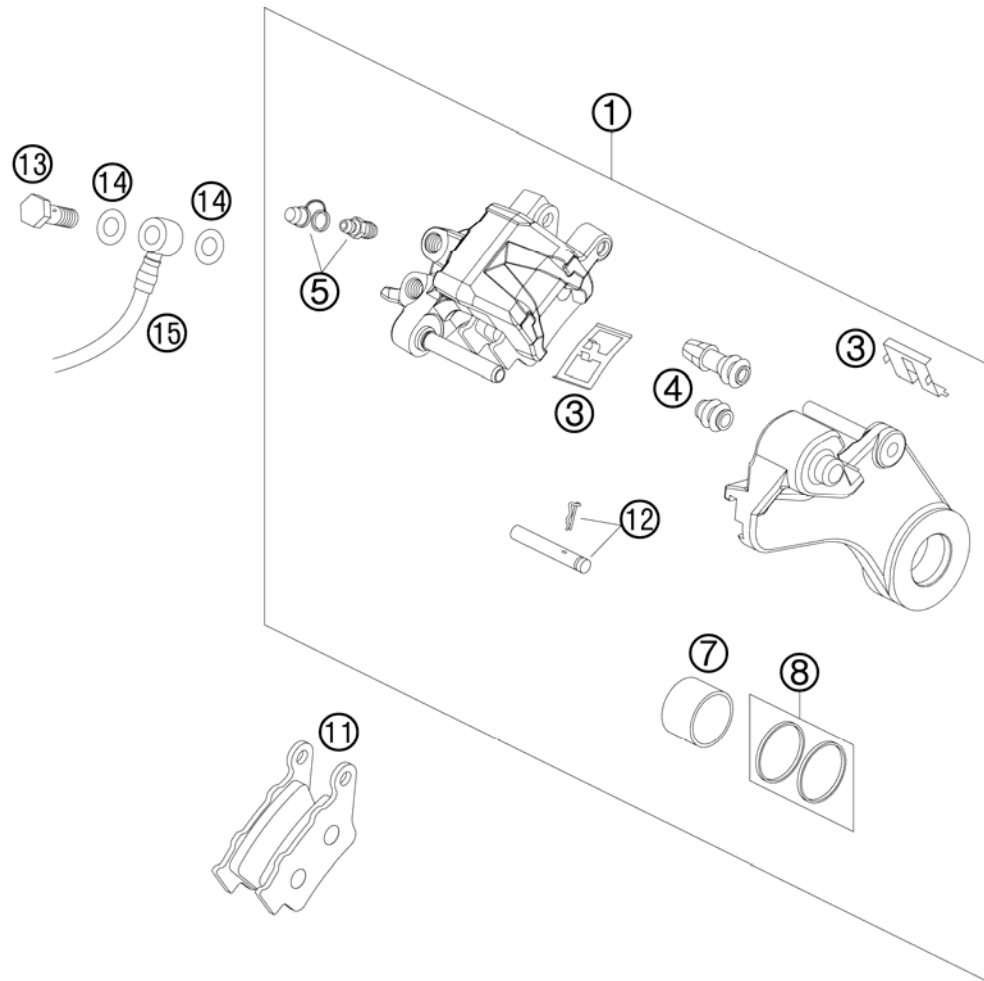


FIG	PART NUMBER	DESCRIPTION	QTY
1	7501308010130	BRAKE CALIPER BL. WITHOUT PADS	1
3	54613311200	RETAINING SPRING SET	1
4	54613218000	CUP SET SHORT	1
5	61013020200	BLEEDER SCREW WITH CAP	1
7	50313083000	BRAKE PISTON 32MM	1
8	50313081000	REPAIR KIT SEALING RINGS 32MM	1
11	50313090000	BRAKE PAD REAR TOSHIBA TTH38GF	1
12	61013082000	BOLT SET 05	1
13	50213025000	HOLLOW SCREW M10X1X19	1
14	0603100141	COPPER GASKET DIN7603-10X14X1	2
15	61013072000	BRAKE PIPE REAR 05	1

096111390 / C096111391

\* NEW PART

X AS REQUIRED

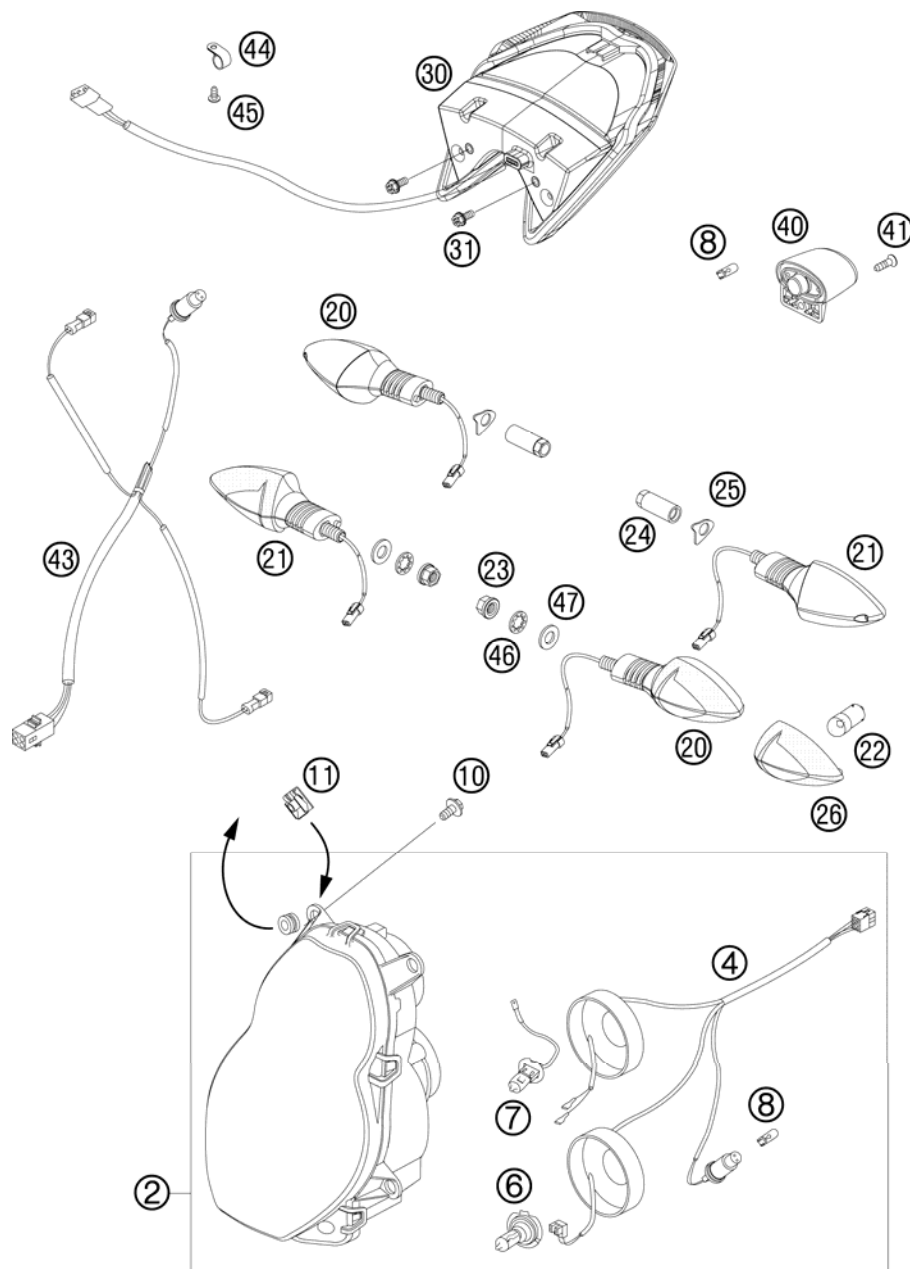


FIG	PART NUMBER	DESCRIPTION	QTY
2	60014001000	HEAD LIGHT RIGHT TR. EU 03	1
4	60014001050	HEAD LIGHT WIRING HARN. EU/GP	1
6	60014003100	BULB H7 12V 55W	1
7	60014003000	BULB H3 12V 55W	1
8	49011435100	BULB 12V 5W (W2,1X9,5D) PHIL.	2
10	0024060136	HH COLLAR SCREW M6X13 TX30	4
11	54603048300	RANGE CHANGE METAL NUT M6 INOX	4
20	60114025000	FLASHER CPL.FRONT L/S REAR R/S	2
21	60114026000	FLASHER CPL.FRONT R/S REAR L/S	2
22	60114027000	BULB 12V ORANGE (RY10W)	4
23	58414030000	HH COLLAR NUT M10X1,25 WS=13	2
24	61014030000	FLASHER NUT M10X1,25 WS=12	2
25	61014031000	FLASHER WASHER 05	2
26	60114028000	FLASHER LENS L/S R/S TRANSP.06	4
30	75014040000	REAR LIGHT LED 07	1
31	0025050126	HH COLLAR SCREW M5X12 TX30	2
40	75014047000	LICENSE PLATE ILLUMINATION 07	1
41	0081250181	SCREW FOR PLASTIC 50X18 T20	1
43	61111076000	WIRING HARNESS REAR 07	1
44	57013070100	PVC-CLAMP 7,9 MM HEYCO 3355	1
45	0016050121	SCREW FOR PLASTIC 50X12	1
46	0797100003	LOCK WASHER DIN6797-J10,5 ZI	2
47	0125100003	WASHER DIN0125-A10,5	2

086111413 / C106111414

\* NEW PART

X AS REQUIRED

# INSTRUMENTS, LOCK SYSTEM

990 SUPER DUKE R EU 2010

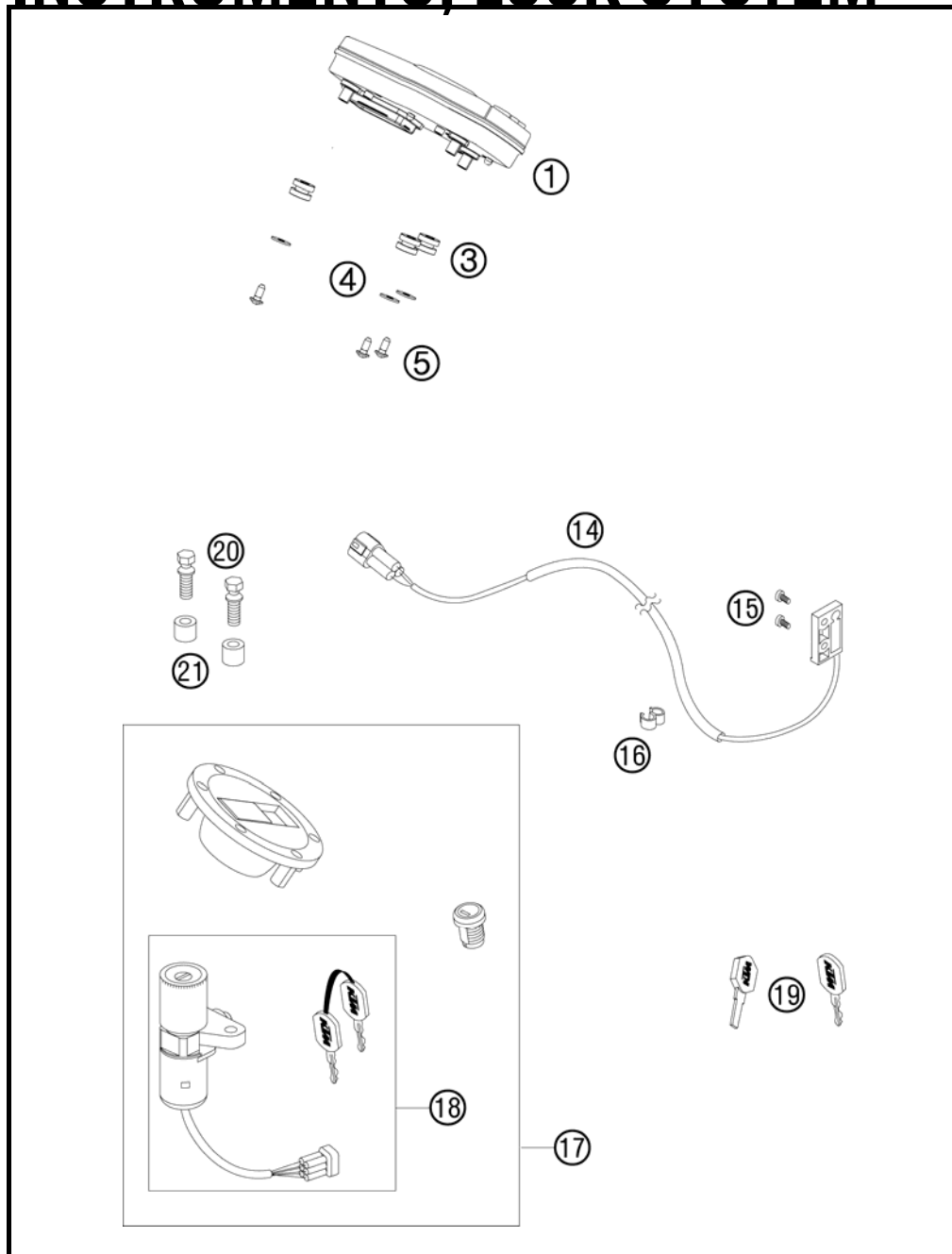


FIG	PART NUMBER	DESCRIPTION	QTY
1*	61114269000	SPEEDOMETER 10	1
3	58214069051	RUBBER GROMMET 16X10,8X3 02	3
4	0021050003	WASHER DIN9021-A 5,3	3
5	0016050121	SCREW FOR PLASTIC 50X12	3
14	61014068000	SPEEDOMETER SENSOR 06	1
15	0084040083	CYL.HEAD SCREW DIN0084-M 4X8 A	2
16	60111094000	CLAMP 5/7 MM 06	3
17	61011166044	LOCK SYSTEM 990 SD USA	1
18	60011066000	IGNITION LOCK LC8 ADV. 03	1
19	40011166100	KEY BLANK LC4/DUKE/LC8	x
19	40011166150	KEY MILLED	x
20	61111064000	TAMPER-PROOF SCREW 07	2
21	61101035000	SPACER BUSHING 8,4X16X14MM 07	2

086111433 / C106111434

\* NEW PART

X AS REQUIRED

# ACCESSORIES KIT

# 990 SUPER DUKE R EU 2010

①  
OHNE ABBILDUNG  
WITHOUT ILLUSTRATION

①  
TECHNISCHE DOKUMENTATION  
TECHNICAL DOCUMENTATION  
DOCUMENTACION TECNICA  
DOCUMENTATION TECHNIQUE  
NOTE TECNICHE

⑫

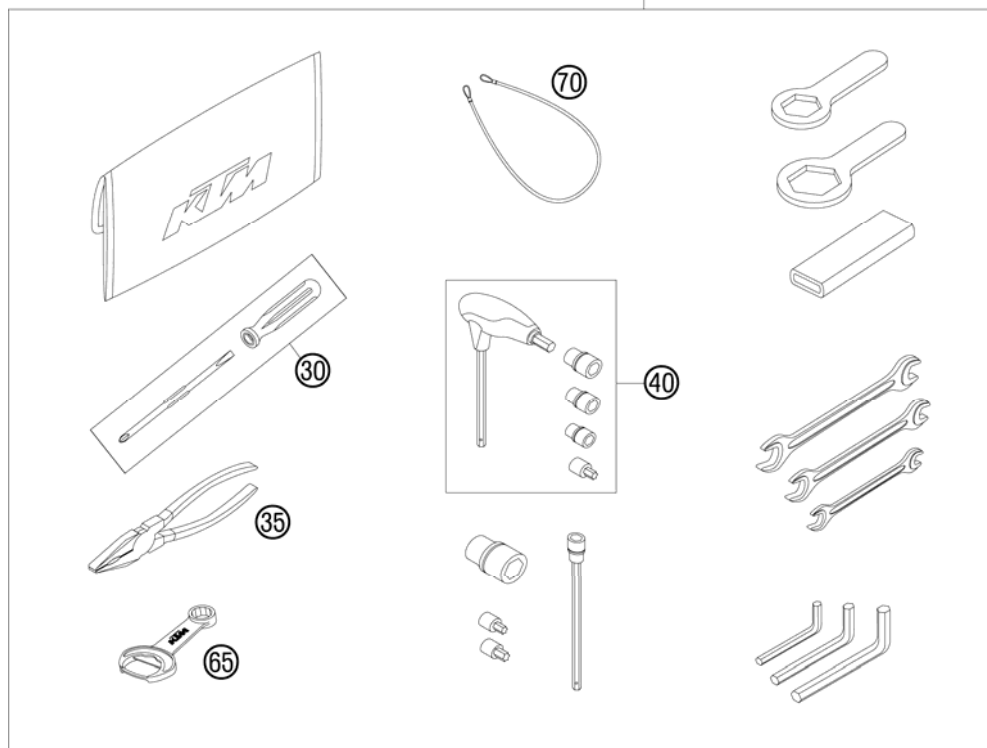


FIG	PART NUMBER	DESCRIPTION	QTY
0	00063099111	BAG FOR INSTRUCTION MANUAL	1
0	0021060003	WASHER DIN9021-A 6,4	4
0	0024060156	HH COLLAR SCREW M6X15 TX30	4
0	0125050003	WASHER DIN0125-A 5,3	2
0	0966050163	OVAL HEAD SCREW DIN0966-M 5X16	1
0	0985050003	SELF LOCKING NUT DIN0985-M 5	2
0	0985060003	SELF LOCK. NUT DIN0985-M 6	4
0	312305	DOCUMENTS BAG 2006	1
0	312313	KTM BALLPOINT PEN ORANGE	1
0	3210039	CUSTOMER WELCOME LETTER	1
0	40006006000	WASHER 6MM	2
0	50329080100	WRENCH SW=17/21/27/32 B&F	1
0	58412040050	SUPPORT FOR MIRROR LC4 '98	1
0	58412080000	REFLECTOR RED LC4 '98	1
0	58412080050	BRACKET FOR REFLECTOR	1
0	60012081200	LICENCE FITTING 06	1
0	6100802014420B	FRONT-END SPOILER CPL. WHITE	1
0	61112040000	REVIEW MIRROR L/S 07	1
0	61112041000	REVIEW MIRROR R/S 07	1
1*	3211522EN	OWN. MANUAL 990 SUPERDUKE/R 10	1
12	61129099000	TOOL SET 08	1
30	53012024100	SCREW DRIVER L=105MM	1
35	53012028200	GRIP ORANGE B&F	1
40	60029070200	T-WRENCH WS=6/8/10 TX=45 B&F	1
65	50329071100	WRENCH WS=13 B&F + OPENER	1
70	60012015000	HELMET LOCK 04	1

086252001 / C106112012

\* NEW PART

X AS REQUIRED











**KTM-Sportmotorcycle AG**  
A-5230 Mattighofen  
[www.ktm.at](http://www.ktm.at)



3CF9803J8EN