

# 990 SUPERDUKE R 2010

ART.-NR.: 3CM089822JEN

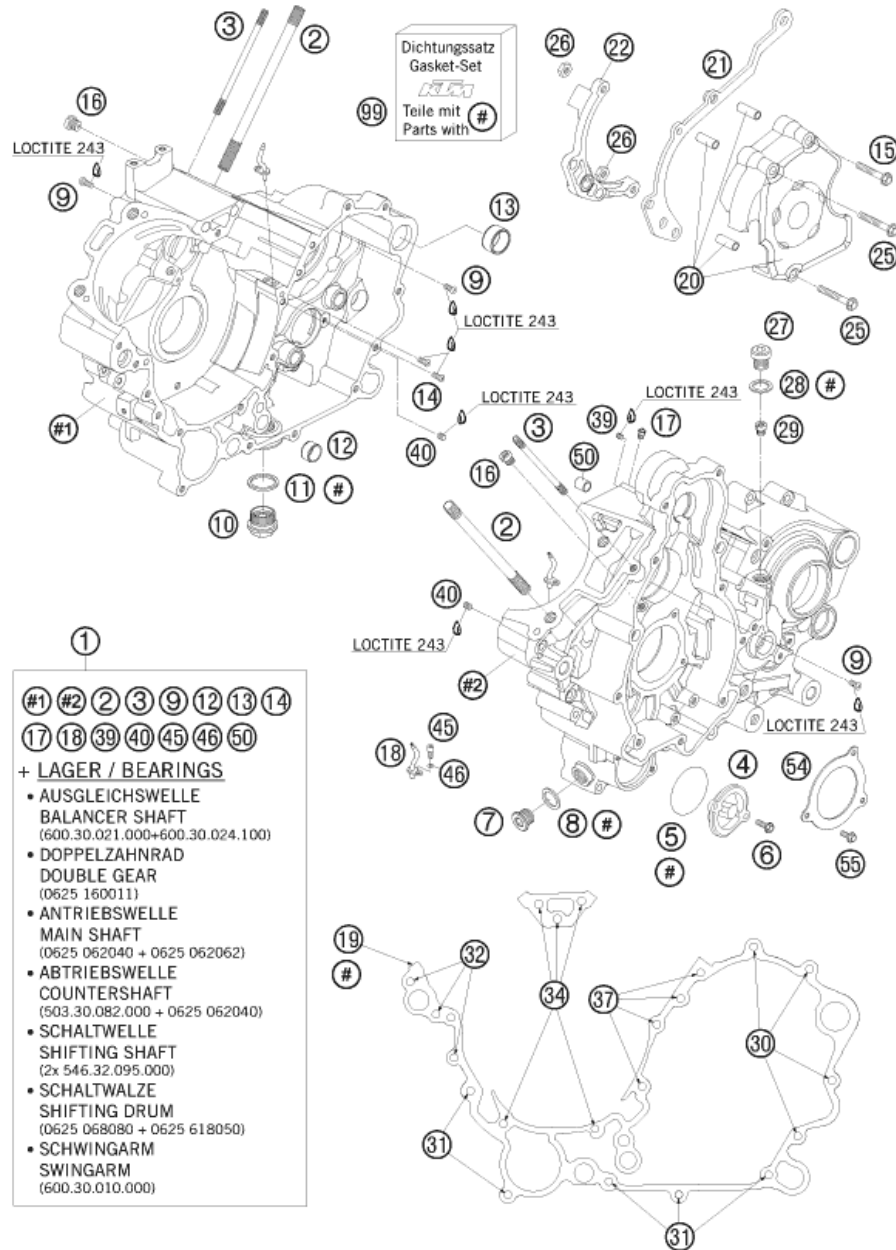




<p><b>ENGINE CASE</b></p> <p><b>3</b></p>	<p><b>CLUTCH COVER</b></p> <p><b>5</b></p>	<p><b>BALANCER SHAFT</b></p> <p><b>6</b></p>	<p><b>CRANKSHAFT, PISTON</b></p> <p><b>7</b></p>
<p><b>CYLINDER</b></p> <p><b>8</b></p>	<p><b>CYLINDER HEAD FRONT</b></p> <p><b>9</b></p>	<p><b>CYLINDER HEAD REAR</b></p> <p><b>11</b></p>	<p><b>SECONDARY AIR SYSTEM</b></p> <p><b>12</b></p>
<p><b>VALVE DRIVE</b></p> <p><b>13</b></p>	<p><b>TIMING DRIVE</b></p> <p><b>14</b></p>	<p><b>LUBRICATING SYSTEM</b></p> <p><b>15</b></p>	<p><b>THROTTLE BODY</b></p> <p><b>17</b></p>







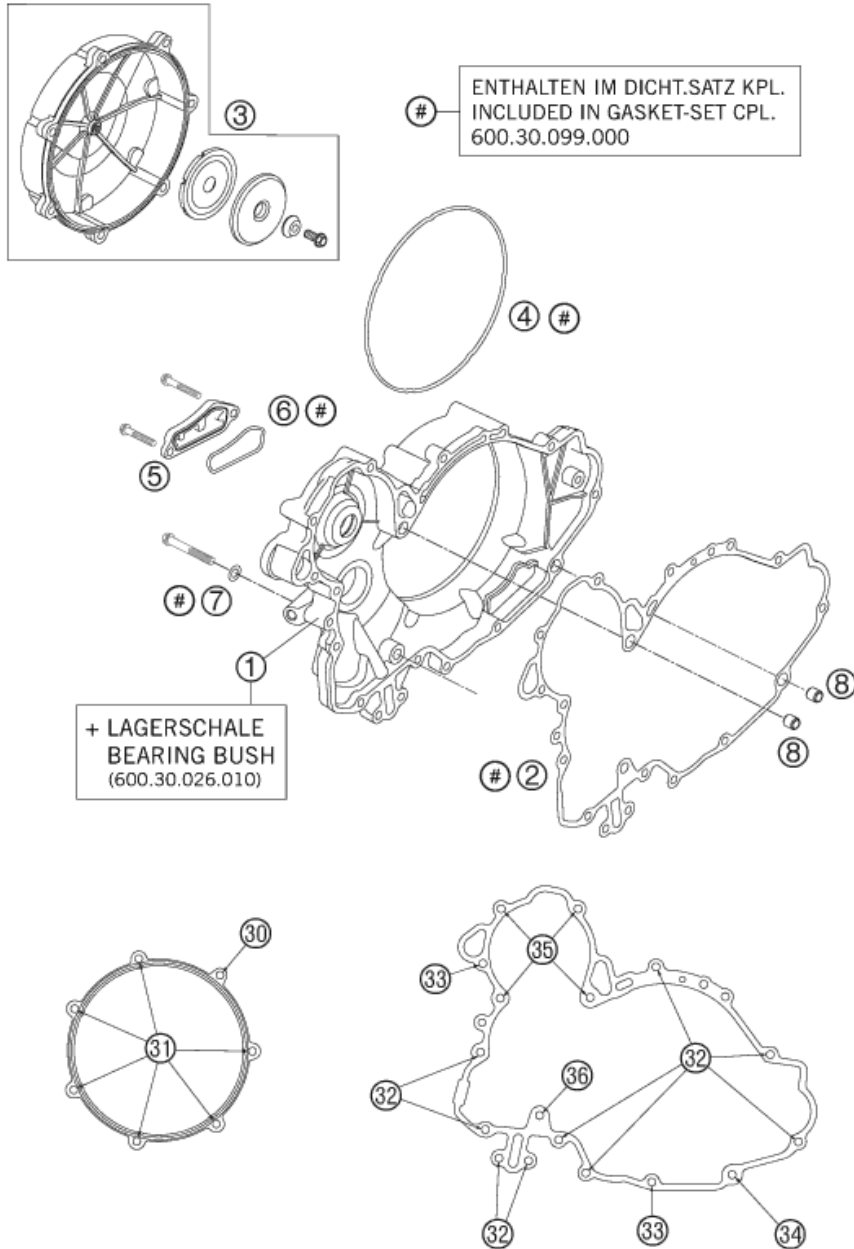
POS	PARTNUMBER	PARTNAME	PIECE
55	0025050126	HH COLLAR SCREW M5X12 TX30	6
99	60030099000	GASKET SET CPL. 03	1

096113010

C096113011

\* NEW PART

X ON DEMAND



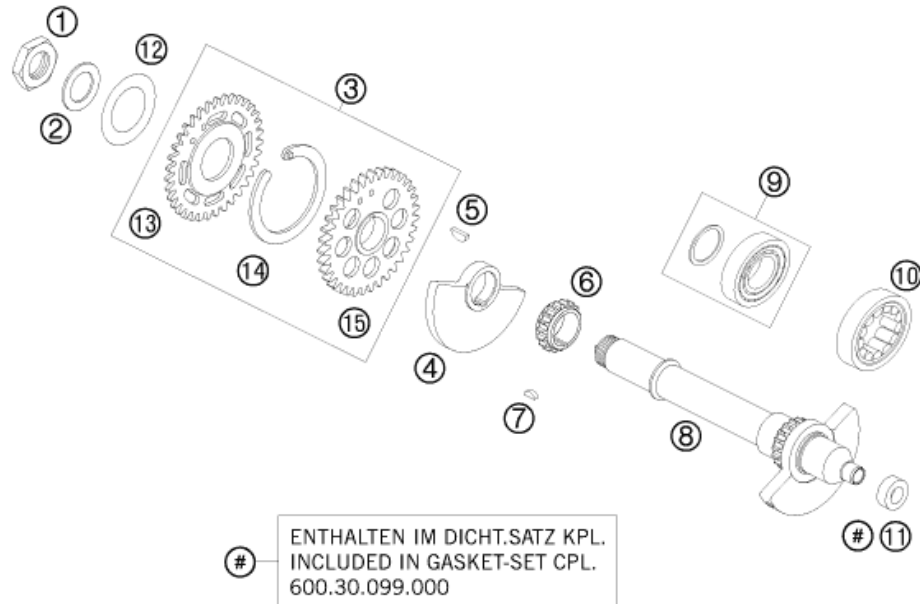
POS	PARTNUMBER	PARTNAME	PIECE
1	6003000114423	CLUTCH COVER LC8 CPL.08	1
2	60030025000	CLUT.COV. GASK. INSIDE KLI.SIL	1
3	6003012614423	CLUTCH OUTSIDE COVER CPL. 06	1
4	60030027000	GASKET RING CLUTCH 2X3,1 VAMAC	1
5	60030012100	CLOS. COVER OIL SCR. MILLED 03	1
6	60030012050	MOLDED RING 1,8X2,5 VAMAC 03	1
7	0603082131	COPPER GASK.DIN7603- 8,2X13X1	1
8	49030090000	DOWEL 9,8 X 7 X 10	2
30	0025060856	HH COLLAR SCREW M6X85 TX30	1
31	0025060256	HH COLLAR SCREW M6X25 TX30	6
32	0025060306	HH COLLAR SCREW M6X30 TX30	9
33	0025060356	HH COLLAR SCREW M6X35 TX30	2
34	0025060406	HH COLLAR SCREW M6X40 TX30	1
35	0025060606	HH COLLAR SCREW M6X60 TX30	4
36	0025080606	HH COLLAR SCREW M8x60 TX40	1

086113020

C096013020

\* NEW PART

X ON DEMAND



POS	PARTNUMBER	PARTNAME	PIECE
1	60036073150	HEXAGON NUT M20X1,5 H=6MM 05	1
2	60033043000	STOP DISK 20,2 X 34 X 1	1
3	60036081000	SPREAD TRANSMISSION 05	1
4	61136074150	BALANCER WEIGHT R/S	1
5	0888040050	WOODRUFF KEY DIN6888 4X5X13	1
6	60036014018	TIMING GEAR 18-T 03	1
7	0888030037	WOODRUFF KEY DIN6888-3X3,7	1
8	61136073000	TIMING VALVE JACKSHAFT CPL.	1
9	60030024100	CYL. ROLLER BEAR. NUP 204E	1
10	60030021000	CYL.ROLLER BEARING 26,5X47X14	1
11	0760122050	SHAFT SEAL RING 12X20X5 B	1
12	0093463006	SPRING WASH. 30,5X46,5X0,6-1,5	1
13	60036083035	CLAMPING WHEEL 35-Z 05	1
14	60036081050	TENSION SPRING 05	1
15	60036082035	DRIVE WHEEL 35-T 05	1

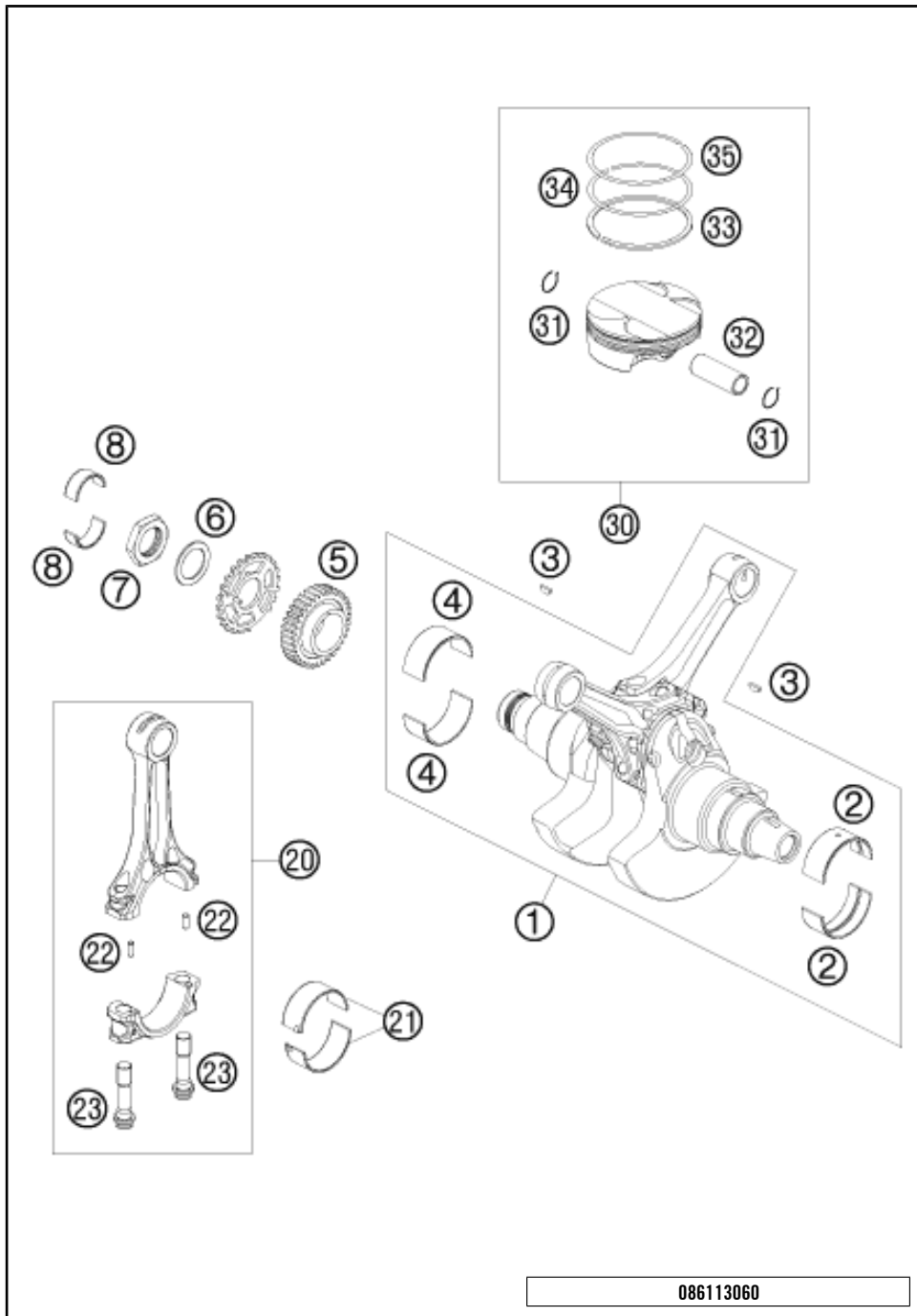
086013030

C096113030

\* NEW PART

X ON DEMAND





086113060

POS	PARTNUMBER	PARTNAME	PIECE
1	61130018100	CRANKSHAFT CPL. M611	1
2	60030082000 1	SPLIT BEAR.BUSH SIZE 1 RED 03	x
2	60030082000 2	SPLIT BEAR.BUSH SIZE 2 BLUE 03	x
2	60030082000 3	SPLIT BEAR.BUSH SIZE 3 YELL.03	x
3	0888040050	WOODRUFF KEY DIN6888 4X5X13	2
4	60030182000 1	SPLIT BEAR.BUSH SIZE 1 RED 03	x
4	60030182000 2	SPLIT BEAR.BUSH SIZE 2 BLUE 03	x
4	60030182000 3	SPLIT BEAR.BUSH SIZE 3 YELL.03	x
5	60032023035	PRIMARY PINION 35 T 03	1
6	60032009040	WASHER 33,2X46X2 03	1
7	60032009050	HH-NUT M33X1,5 L/S WS46 03	1
8	60030026010	BUSHING BOWL 28X32X13 03	2
20	61130013000	CONNECTING ROD CPL.	2
21	612300151101	SPLIT BEAR. BUSH RED	x
21	612300151102	SPLIT BEAR. BUSH BLUE	x
21	612300151103	SPLIT BEAR. BUSH YELLOW	x
22	0402040980	NEEDLE ROL.DIN5402 NRB 4X9,8	4
23	60030015260	CONNECTING-ROD BOLT MJ10X1 06	4
30*	61130007100 I	PISTON CPL. D=101 08	x
30*	61130007100 II	PISTON CPL. D=101 08	x
31	77630074000	CIRCLIP	4
32	61230033000	PISTON PIN D=20 08	2
33	61030032000	OIL SCRAPER RING D=101MM	2
34	58330932100	TAP.COMPR.PISTON RING 101X1,25	2
35	61030030000	PISTON RING "L" D=101 H=1,25	2

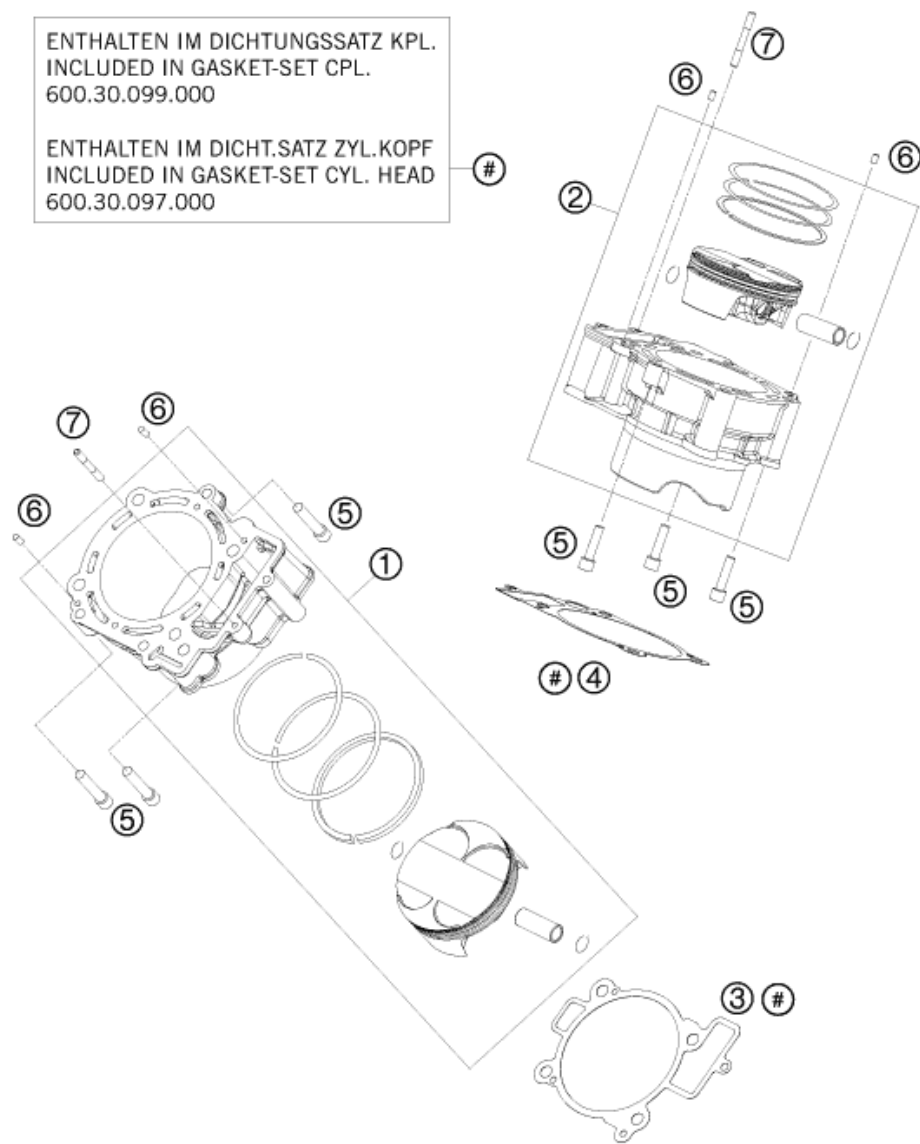
C106113060

\* NEW PART

X ON DEMAND

ENTHALTEN IM DICHTUNGSSATZ KPL.  
INCLUDED IN GASKET-SET CPL.  
600.30.099.000

ENTHALTEN IM DICHT.SATZ ZYL.KOPF  
INCLUDED IN GASKET-SET CYL. HEAD  
600.30.097.000



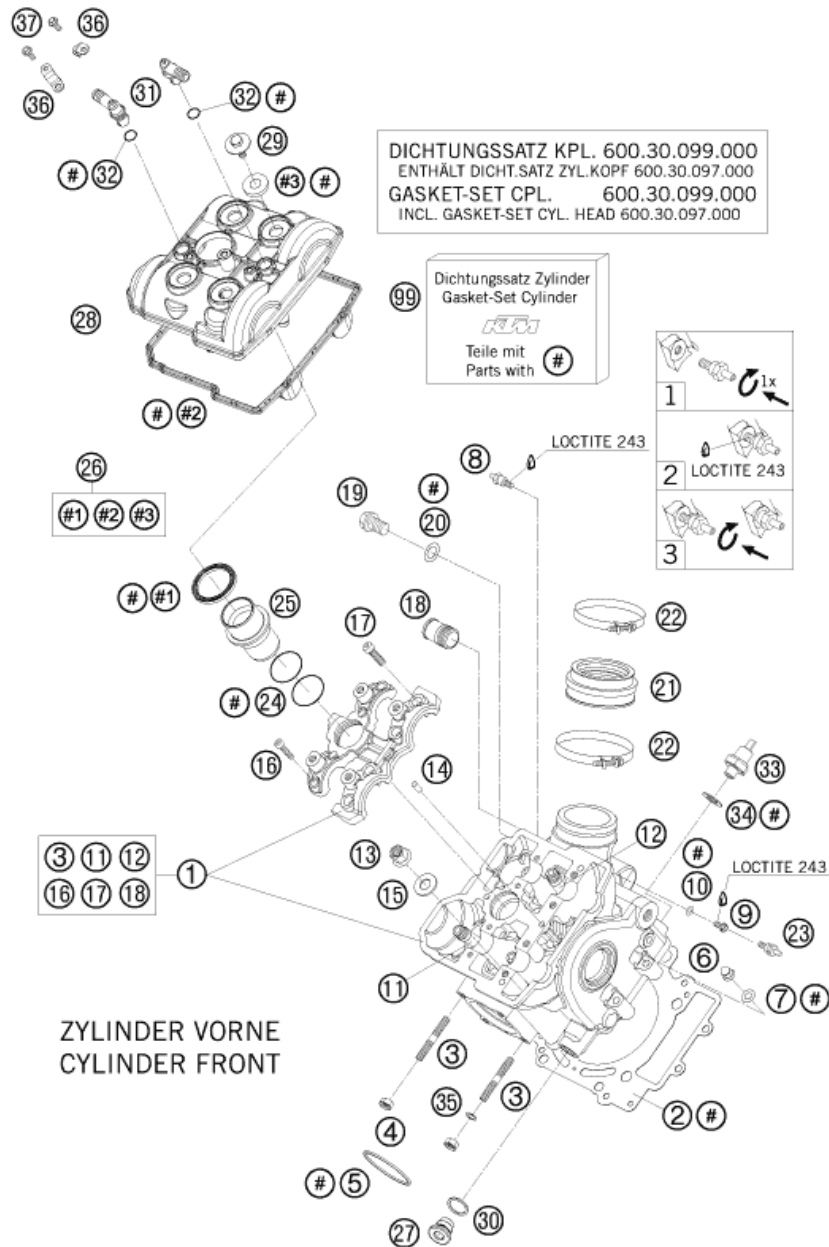
POS	PARTNUMBER	PARTNAME	PIECE
1*	6113003810023	ZYLINDER & PISTON FRONT	1
2*	6113013810023	ZYLINDER & PISTON REAR	1
3	60030035000	CYLINDER-BASE GASKET FR 0,35MM	1
4	60030135000	CYLINDER-BASE GASKET RR 0,35MM	1
5	0912080353	AH SCREW DIN0912-M 8X35	6
6	0474050100	GROOVED PIN DIN1474 5X10	4
7	60030043020	STUD M6X47 03	2

106113040

C106113040

\* NEW PART X ON DEMAND





POS	PARTNUMBER	PARTNAME	PIECE
37	0009050103	% SPECIAL SCREW M 5,0X10	2
99	60030097000	GASKET SET CYL. HEAD KPL. 03 CYLINDER FRONT + REAR	1

086113650

C096113650

\* NEW PART

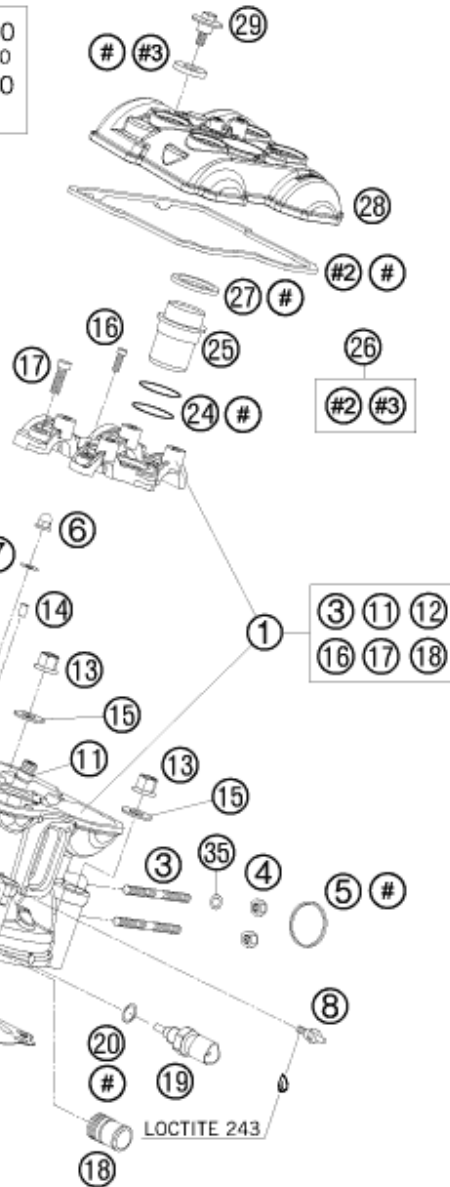
X ON DEMAND

DICHTUNGSSATZ KPL. 600.30.099.000  
 ENTHÄLT DICHT.SATZ ZYL.KOPF 600.30.097.000  
 GASKET-SET CPL. 600.30.099.000  
 INCL. GASKET-SET CYL. HEAD 600.30.097.000



LOCTITE 243

ZYLINDER HINTEN  
 CYLINDER REAR



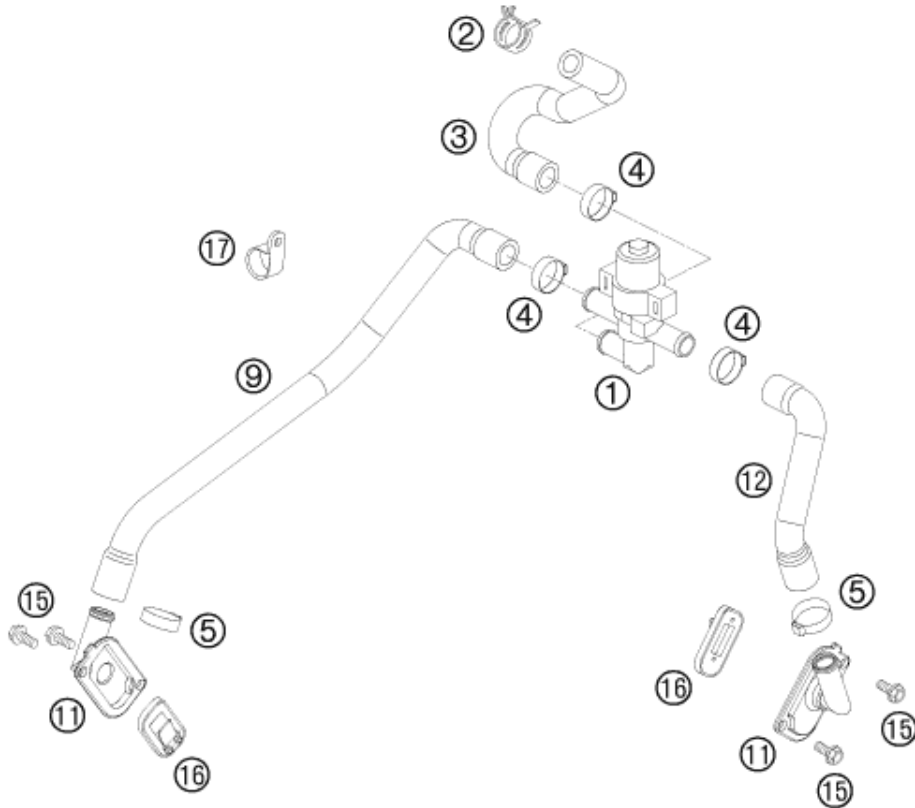
POS	PARTNUMBER	PARTNAME	PIECE
1	6113612014423	CYLINDER HEAD CPL. REAR 08	1
2	60030036000	CYLINDER HEAD GASKET 0,5 101MM	1
3	0835080256	STUD DIN0835-M 8X25 10.9	2
4	51010086100	SELF LOCKING NUT M 8 CU	2
5	61005005000	EXHAUST GASKET 05	1
6	61230045000	CAP NUT M6 STAINLESS STEEL	2
7	0125060003	WASHER DIN0125-A 6,4	2
8	61036023100	VACUUM CONECTION 2006	1
9	0025060083	COLLAR SCREW M6X8 TX	1
10	0603061001	CU-SEAL RING DIN7603-6X10X1	1
11	61136026001	VALVE GUIDE OUTLET	2
12	61136025001	VALVE GUIDE OUTTAKE	2
13	60036078200	COLLAR NUT M 10 WS=13 05	4
14	0402050980	NEEDLE ROLLER DIN5402 5X9,8	2
15	60036078050	SHIM 10,2X19X1,5MM 05	4
16	0912060255	AH SCREW DIN0912-M 6X25 10.9	4
17	0984080305	AH SCREW DIN7984-M 8X30 10.9	4
18	61135019000	WATER CONNECTION	1
19	75035047000	TEMPERATURE SENSOR WATER 07	1
20	0770100020	O-RING 10,00X2,00 SILCONE	1
21	61136044000	RUBBERSLEEVE INTAKE FLANGE	1
22	61236048000	HOSE CLAMP GEMI 66 / 1	2
23	60036023100	VACUUM CONECTION M6/0,5MM USA ONLY	1
24	0770298178	O-RING 29,87X1,78 VITON	2
25	61136075100	INSERT SPARK-PLUG SHAFT	1
26	61136099000	VALVE COVER GASKET SET FR+RR	1
27	61136075050	GASKET SPARK-PLUG SHAFT	2
28	6113615200023	VALVE COVER REAR 09	1
29	60036052020	COLLAR SCREW M 6 WS=10 03	4
35	61005009000	SPACER BUSH. 8,5X15X7,5 05	1
99	60030097000	GASKET SET CYL. HEAD KPL. 03 CYLINDER FRONT + REAR	1

086113640

C096113640

\* NEW PART

X ON DEMAND



POS	PARTNUMBER	PARTNAME	PIECE
1	61005026000	CONTROL VALVE SAS 05	1
2	00049190121	CLAMP STD DN19	1
3	61005035023	SAS HOSE AIRBOX 05	1
4	00050226706	VARIABLE ONE-EAR CLAMP 22,6MM	3
5	00050210706	VARIABLE ONE-EAR CLAMP 21,0MM	2
9	61005035021	SAS HOSE CYLINDER FRONT 05	1
11	60005022000	SAS FLANGE 03	2
12	61005035022	SAS HOSE CYLINDER REAR 05	1
15	0025060126	HH COLLAR SCREW M6X12 TX30	4
16	60005026000	SLS-VALVE 03	2
17	57013070400	PVC CLAMP 17,4MM HEYCO 3381	1

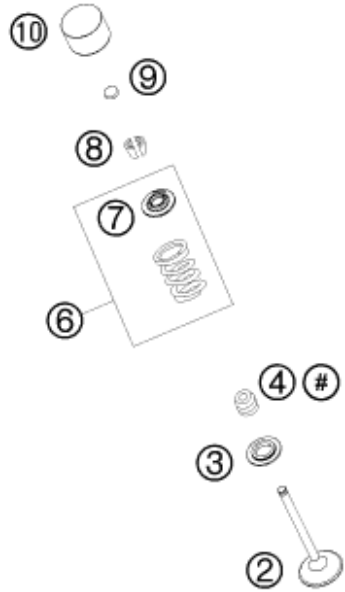
086013130

C096013130

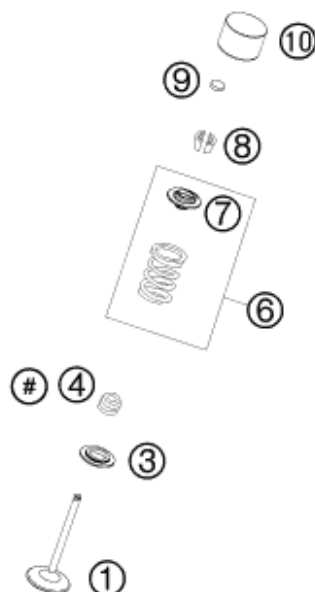
\* NEW PART

X ON DEMAND

EXHAUST



INTAKE



# ENTHALTEN IM DICHTUNGSSATZ KPL.  
INCLUDED IN GASKET-SET CPL.  
600.30.099.000  
ENTHALTEN IM DICHT.SATZ ZYL.KOPF  
INCLUDED IN GASKET-SET CYL. HEAD  
600.30.097.000

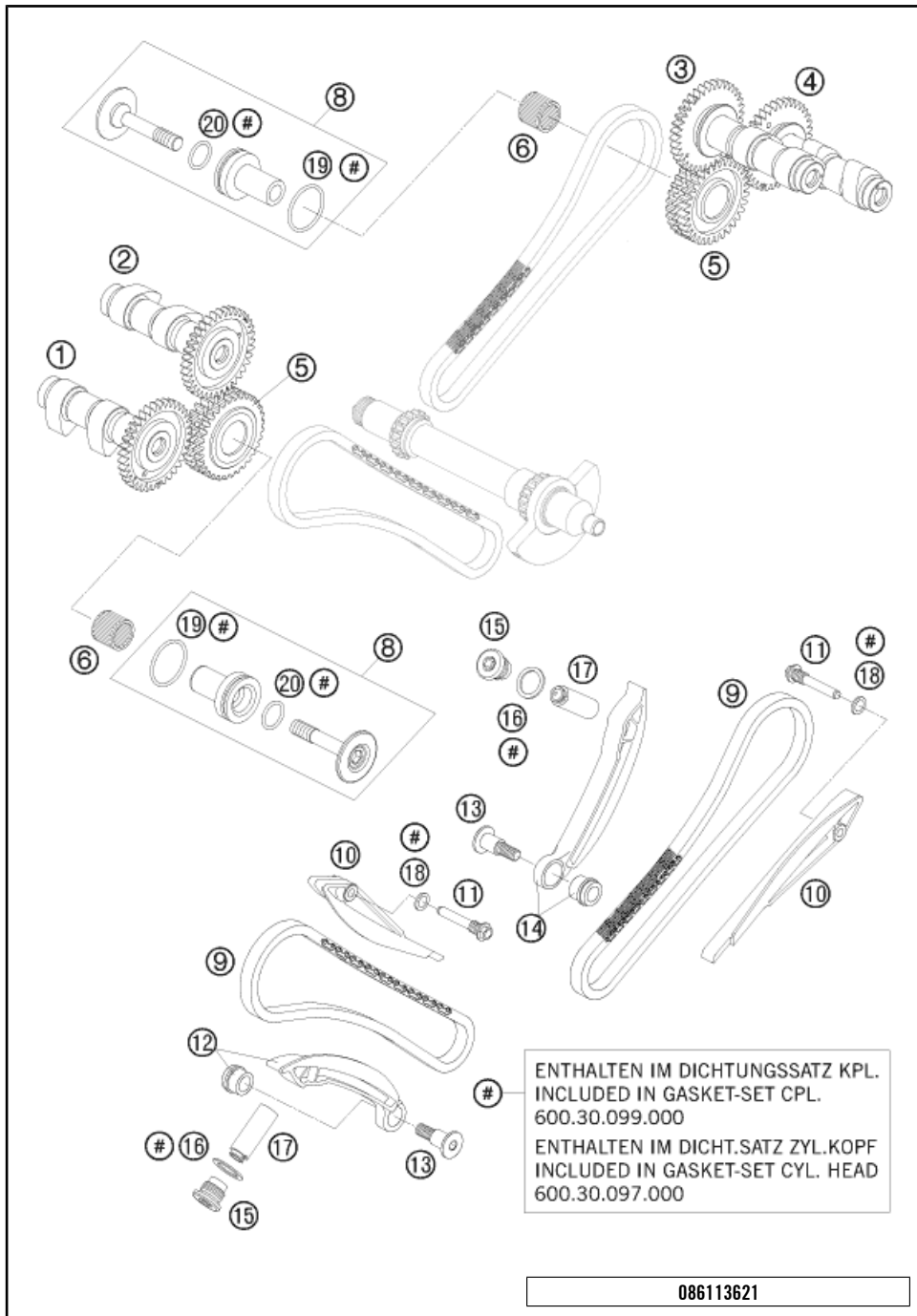
POS	PARTNUMBER	PARTNAME	PIECE
1	61136030000	INTAKE VALVE D41	4
2	61136031100	EXHAUST VALVE	4
3	61136036000	SPRING RETAINER	8
4	59036027000	VALVE-STEM SEALING RACING	8
6	61236028100	VALVE SPRING NHK	8
7	61236032100	% VALVE SPRING RETAINER	8
8	78036033000	VALVE COLLET LK 6H	16
9	60036035200	SHIM D=10/2,00 03	x
9	60036035205	SHIM D=10/2,05 03	x
9	60036035210	SHIM D=10/2,10 03	x
9	60036035215	SHIM D=10/2,15 03	x
9	60036035220	SHIM D=10/2,20 03	x
9	60036035225	SHIM D=10/2,25 03	x
9	60036035230	SHIM D=10/2,30 03	x
9	60036035235	SHIM D=10/2,35 03	x
9	60036035240	SHIM D=10/2,40 03	x
9	60036035245	SHIM D=10/2,45 03	x
9	60036035250	SHIM D=10/2,50 03	x
9	60036035255	SHIM D=10/2,55 03	x
9	60036035260	SHIM D=10/2,60 03	x
9	60036035265	SHIM D=10/2,65 03	x
9	60036035270	SHIM D=10/2,70 03	x
9	60036035275	SHIM D=10/2,75 03	x
9	60036035280	SHIM D=10/2,80 03	x
9	60036035285	SHIM D=10/2,85 03	x
9	60036035290	SHIM D=10/2,90 03	x
9	60036035295	SHIM D=10/2,95 03	x
9	60036035300	SHIM D=10/3,00 03	x
9	60036035305	SHIM D=10/3,05 03	x
9	60036035310	SHIM D=10/3,10 03	x
9	60036035315	SHIM D=10/3,15 03	x
9	60036035320	SHIM D=10/3,20 03	x
9	60036035330	SHIM D=10/3,3	x
10	61036034000	BUCKET TAPPET 05	8

086113610

C096113610

\* NEW PART

X ON DEMAND



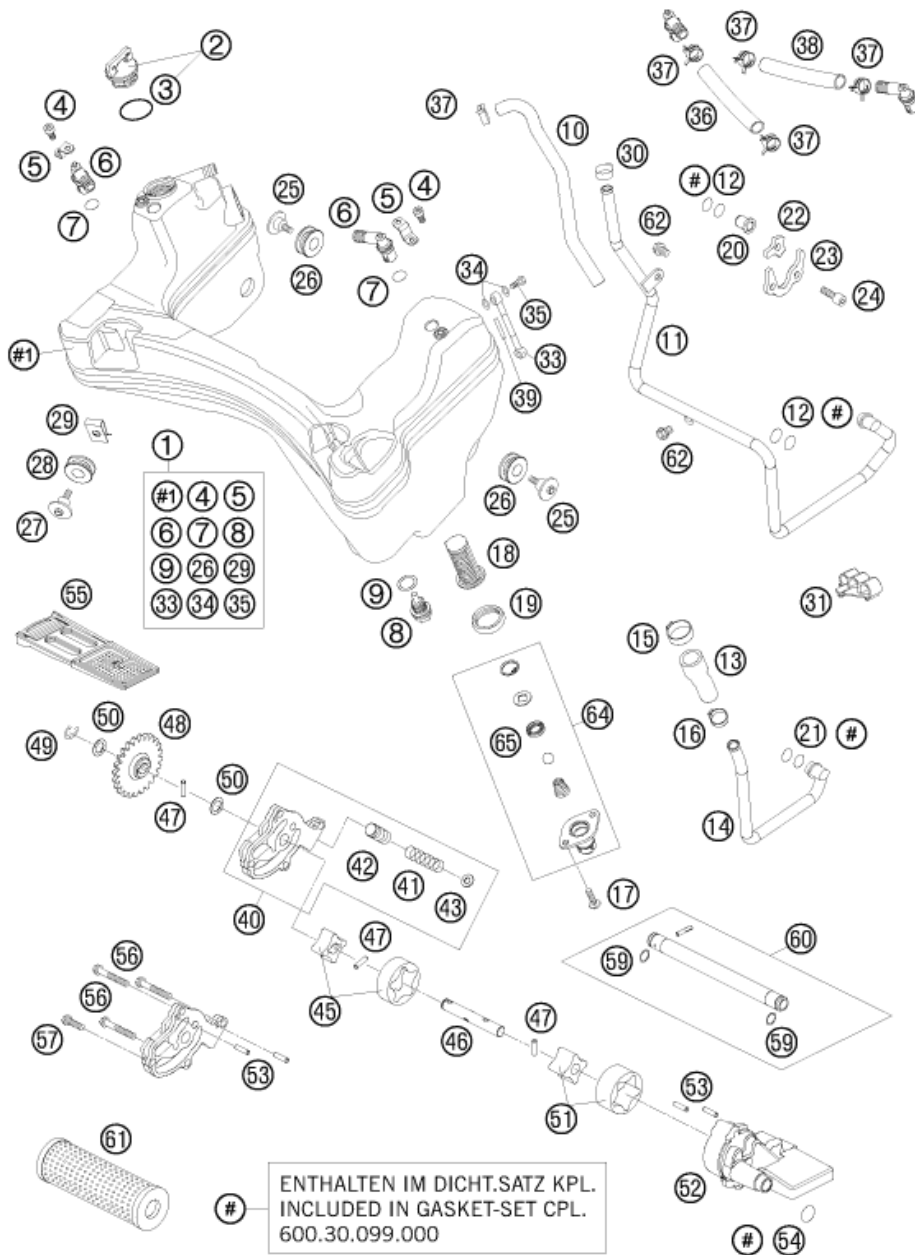
POS	PARTNUMBER	PARTNAME	PIECE
1	61136010000	CAMSHAFT OUTLET FRONT	1
2	61136009000	CAMSHAFT INTAKE FRONT	1
3	61136109000	CAMSHAFT INTAKE REAR	1
4	61136110000	CAMSHAFT OUTLET REAR	1
5	60036070000	TIMING GEARS 32-T CPL. 03	2
6	0405182420	NEEDLE BEARING K18/24/20	2
8	60036071100	BEARING BOLT	2
9	60036013000	TOOTH CHAIN 88 LINK 6,35PITCH	2
10	60036001000	GUIDE RAIL 03	2
11	60036002160	SPECIAL SCREW M8X29 WS=8	2
12	60036002000	TENSIONER RAIL CPL. FRONT 03	1
13	60036002150	SPECIAL SCREW M8X29 WS=6	2
14	60036102000	TENSIONER RAIL CPL. REAR 03	1
15	60036008000	SCREW PLUG M16X1,5 03	2
16	0603162013	CU SEAL-RING DIN7603 16X20X1,3	2
17	60036003000	TIMING-CH.TENS. HYDR.(75YM) 03	2
18	0603082121	SEAL RING CU DIN7603- 8X12X1	2
19	0770290020	O-RING 29X2 VITON	2
20	0770160021	O-RING 16,00X2,00 VITON	2

086113621

C096113621

\* NEW PART X ON DEMAND





POS	PARTNUMBER	PARTNAME	PIECE
1*	61038081233	OIL TANK CPL.	1
2	58030020100	PLUG CPL. M24X3	1
3	0770191015	O-RING 19,00X3,00 NBR	1
4	0912050103	AH SCREW DIN0912-M 5X10	2
5*	69006015050	BRACKET F. EFI-PLUG	2
6	60038082000	ANGLE CONNECTOR LC8 03	2
7	0770080020	O-RING 8X2 SILICONE	2
8	58030021000	OILDRAIN PLUG W.MAG. M 12X1,5	1
9	58038022000	CU-SEAL RING DIN7603-12X18X1,5	1
10	60038061203	PREFORMED HOSE D9X3,5	1
11	60038061044	OIL PIPE "B"	1
12	0770090021	O-RING 9X2 VITON	4
13	61038034000	OIL HOSE PIPE A 05	1
14	60038060044	OIL PIPE "A"	1
15	00050256706	VARIABLE ONE-EAR CLAMP 25,6MM	1
16	00050198706	VARIABLE ONE-EAR CLAMP 19,8MM	1
17	0025060166	HH COLLAR SCREW M6X16 TX30	2
18	60038017000	OIL SCREEN FINISHED 03	1
19	60038018000	GASKET FOR OIL FILTER HNBR 03	1
20	60038024000	PLUG 10MM LC8 03	1
21	0770110021	O-RING 11X2 VITON	2
22	60038037000	RETAINING PLATE 2 LC8 03	1
23	60038036000	RETAINING PLATE 1 LC8 03	1
24	0912060203	AH SCREW DIN0912-M 6X20	3
25	60038083000	SCREW OIL TANK FIXING 03	3
26	54605068000	EXHAUST BRACKET RUBBER BLACK	3
27	60035001000	SPECIAL SCREW M6X21 WS=8	2
28	41001052000	RUBBER SLEEVE D=12MM	2
29	54603048100	RANGE CHANGE METAL NUT M6	2
30	00050185706	VARIABLE ONE-EAR CLAMP 18,5MM	1
31	61011093000	WIRING HOLDER 05	x
33	61038084100	OIL RISING PIPE CPL.	1
34	0603082121	SEAL RING CU DIN7603- 8X12X1	4
35	58038029000	BANJO BOLT M8X1	2
36	60038059130	OIL TANK BREATHING HOSE R/S	1
37	00049160121	CLAMP STD DN16	5
38	60038059083	OIL TANK BREATHING HOSE L/S	1
39	61038085000	STICKER "OIL LEVEL" 05	1

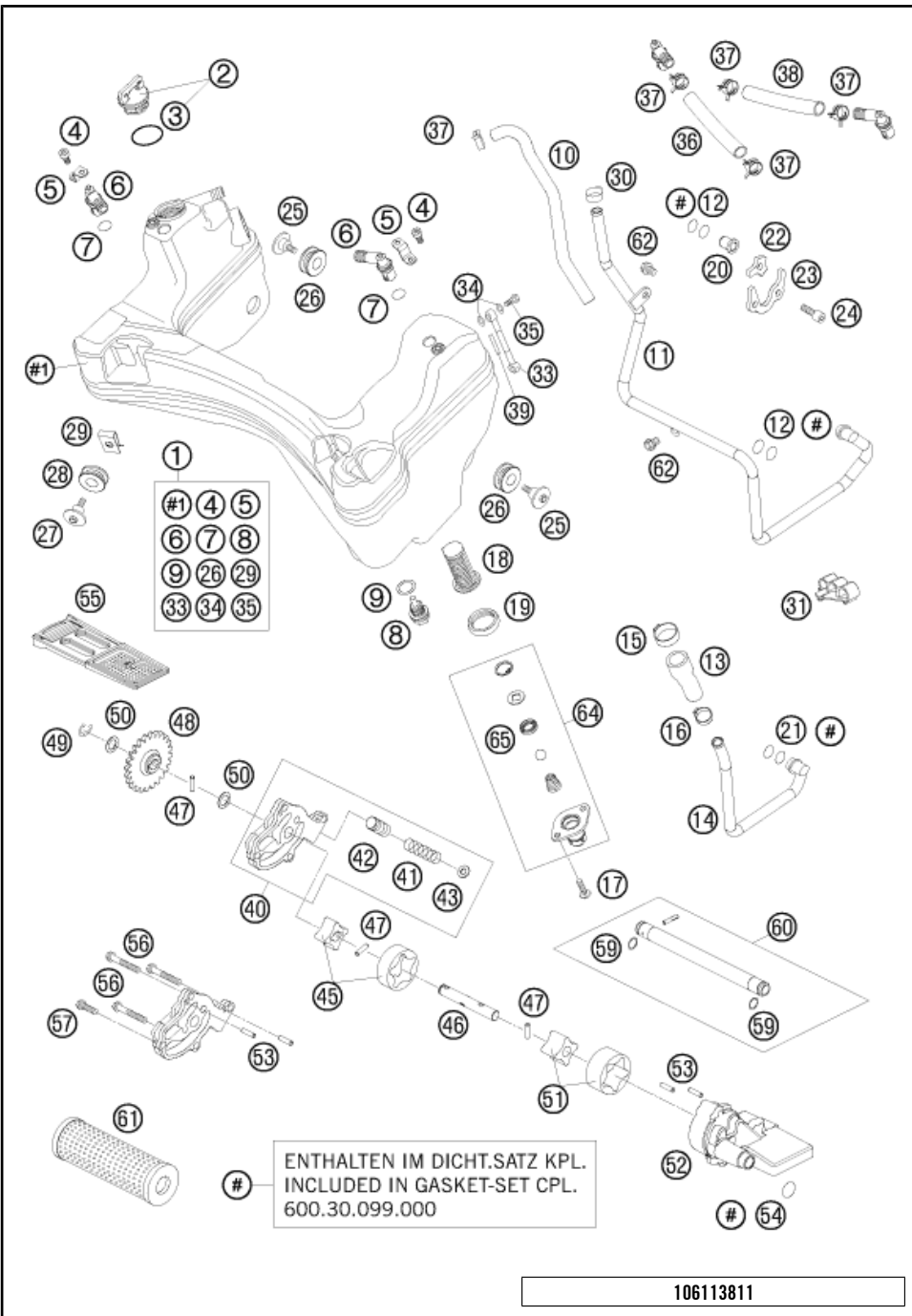
ENTHALTEN IM DICHT.SATZ CPL.  
INCLUDED IN GASKET-SET CPL.  
600.30.099.000

106113811

C106113811

\* NEW PART

X ON DEMAND

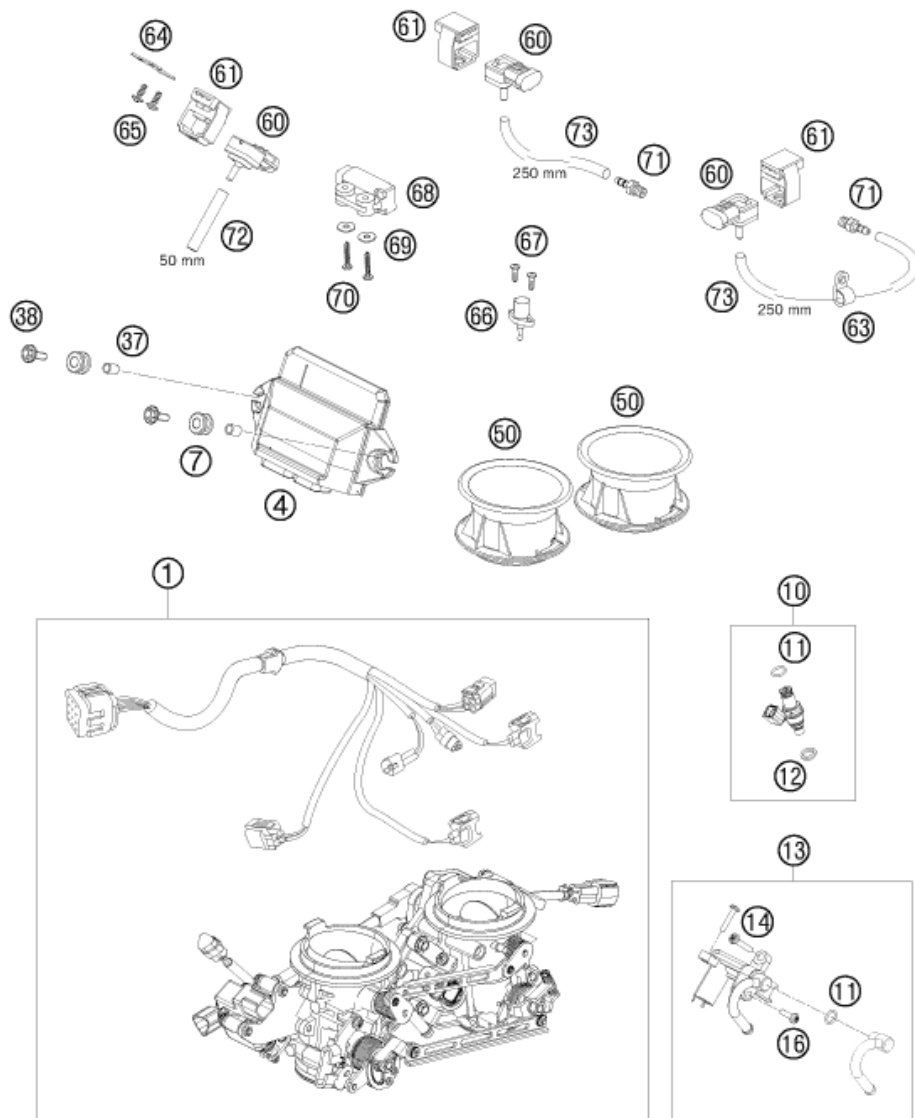


POS	PARTNUMBER	PARTNAME	PIECE
40	60038010133	PRESSURE PUMP HOUSING CPL. 10	1
41	60038026000	CONTROL SPRING LC8 3,5 BAR	1
42	60038028000	CONTROL PISTON LC8 03	1
43	50337073000	SHIM	1
45	60038011000	ROTOR-SET PRESSURE PUMP 03	1
46	60038002000	% OIL PUMP SHAFT 03	1
47	0402041580	NEEDLE ROLLER NRB 4X15,8 G2	3
48	60038001124	OIL PUMP GEAR 24-T	1
49	0799080000	TAB WASHER DIN6799 RS8	1
50	60038007010	WASHER 10X16X0,5 03	2
51	60038009000	ROTOR-SET 19MM 03	1
52	60038008000	SUCTION PUMP CASE 03	1
53	0402040980	NEEDLE ROL.DIN5402 NRB 4X9,8	4
54	0770133024	O-RING 13,3X2,4 VITON	1
55	60038016000	OIL SCREEN 03	1
56	0025060406	HH COLLAR SCREW M6X40 TX30	3
57	0025060206	HH COLLAR SCREW M6X20 TX30	1
59	0770010010	O-RING 10,00X1,00 NBR 70 SH	2
60	60030065100	OIL INJECTION TUBE GEAR 05	1
61	60038015000	% OIL FILTER 03	1
62	0025060106	HH COLLAR SCREW M6X10 TX30	2
64	60038060102	OIL TANK VALVE CPL.	1
65	0760101842	% SHAFT SEAL R.10X18X4 B-VITON	1

106113811

C106113811

\* NEW PART X ON DEMAND



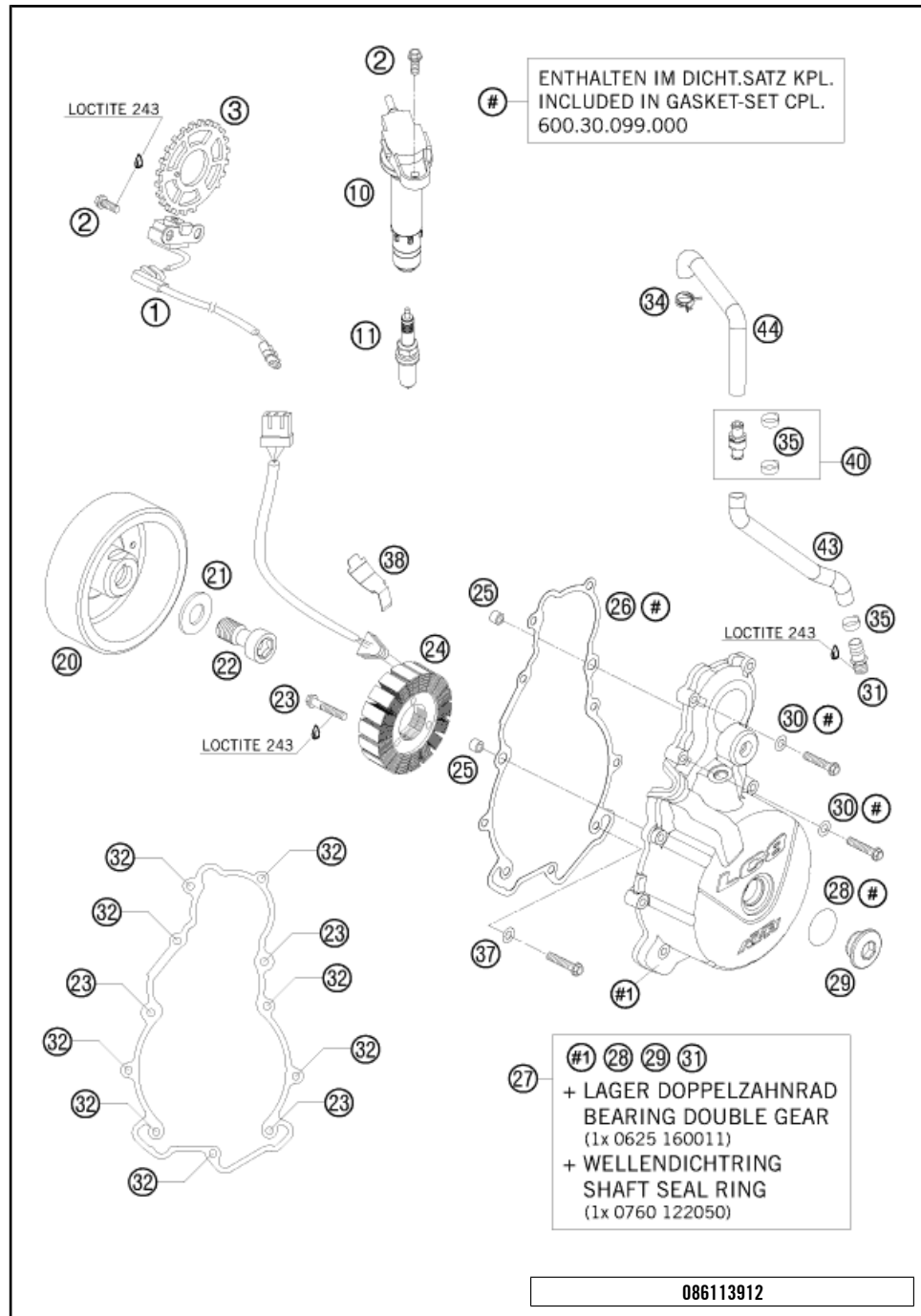
POS	PARTNUMBER	PARTNAME	PIECE
1	61241001000	THROTTLE BODY CPL. DK52	1
4	61041031200	TIMING CHARGER EFI 08	1
7	60039030000	VIBRATION DAMPER DIGITALBOX 03	2
10	61241023044	INJECTOR CPL.	2
11	75041023020	O-RING 7,2x2,2	3
12	75041023010	SEAL RING	2
13	61241013044	FUEL PIPE CPL.	1
14	75041013060	SCREW SHOULDER	2
16	61041060040	SCREW FOR SUPPORT STEPPER MOT.	1
37	61141028000	SPACER BUSHING 6,3X8,5X11 07	2
38	0024060206	HH COLLAR SCREW M6X20 TX30	2
50	61041040000	INTAKE TRUMPET 05	2
60	61041085100	PRESSURE SENSOR 06	3
61	61041085150	RUBBER SUPP. PRESSURE SENS. 06	3
63	57013070100	PVC-CLAMP 7,9 MM HEYCO 3355	1
64	61041085060	SUPPORT PRESSURE SENSOR 05	1
65	0016050121	% SCREW FOR PLASTIC 50X12	2
66	61041080000	AMBIENT-AIR TEMPERATURE SENSOR	1
67	0081500181	% SCREW FOR PLASTIC D=5X18	2
68	61041088000	ROLLOVER SENSOR 05	1
69	61041088050	SHIM 4,3X15X1,25MM GALVANIZED	2
70	0081400253	PLASTIC SCREW KA40X25WN1412	2
71	61036023100	VACUUM CONECTION 2006	2
72	61041095050	HOSE 3,2X8,5 L=50 MM 05	1
73	61041095250	HOSE 3,2X8,5 L= 250 MM 05	2

086114111

C096114111

\* NEW PART

X ON DEMAND

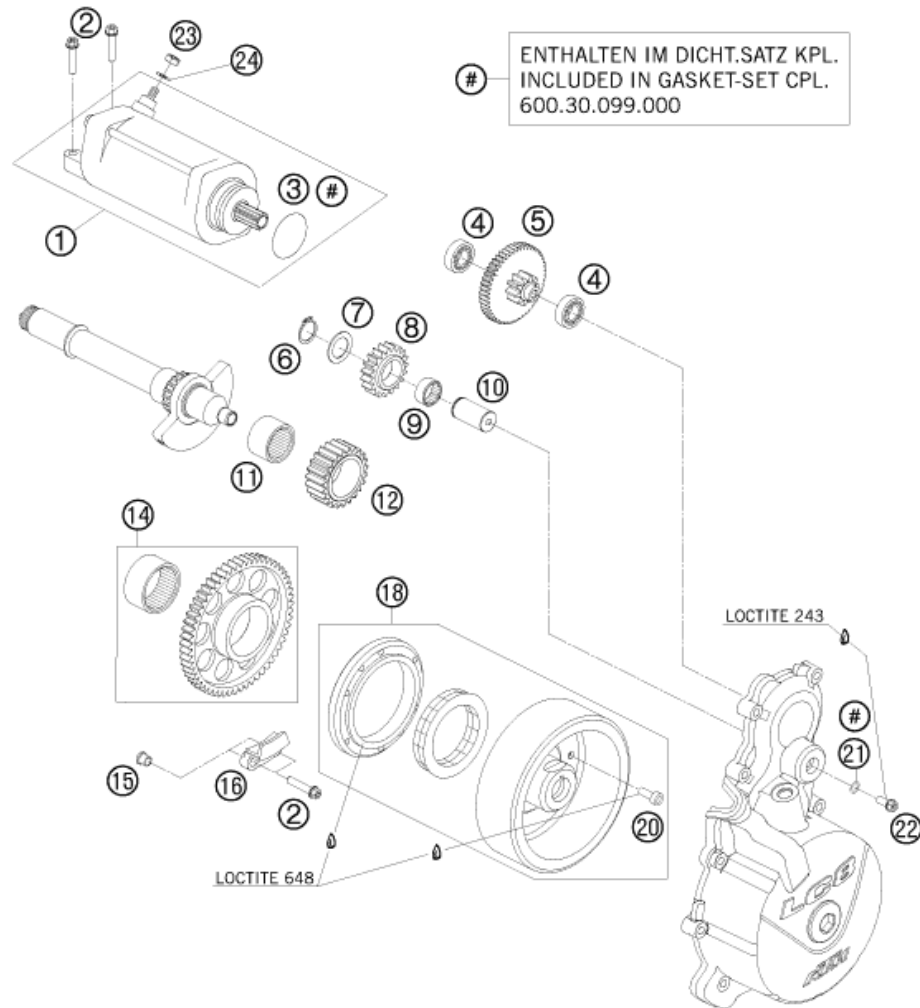


POS	PARTNUMBER	PARTNAME	PIECE
1	60039034100	PULSE GENERATOR LC8 04	1
2	0025060166	HH COLLAR SCREW M6X16 TX30	4
3	61039020000	COIL SPROKET 22Z O. CYL. PIN	1
10	61139006000	STICK-COIL	2
11	75039093000	SPARK PLUG M12X1,25 LKAR8AI-9	2
20	60039005100	IGNITION ROTOR 04 INCL. FREEWHEEL	1
21	60039040010	WASHER 17X32X4 03	1
22	60039003100	AH EXPAND. SCREW M16X1,5 05	1
23	0025060356	HH COLLAR SCREW M6X35 TX30	6
24	60039004000	STATOR 03	1
25	49030090000	DOWEL 9,8 X 7 X 10	2
26	60030040100	IGNIT.COVER GASK.MATRI.CS0,5MM	1
27	60030002144	% IGNITION COVER CPL. 06	1
28	0770024025	% O-RING 24X2,5 NBR	1
29	6003009400023	SCREW PLUG M24X1,5 PA 6.6	1
30	0603061001	CU-SEAL RING DIN7603-6X10X1	2
31	60030022000	VENTILATION CONNECTOR M16X1,5	1
32	0025060306	HH COLLAR SCREW M6X30 TX30	8
34	00049220121	CLAMP STD DN22	1
35	00050226706	VARIABLE ONE-EAR CLAMP 22,6MM	3
37	0125060003	WASHER DIN0125-A 6,4	1
38	60039040020	CABLE SUPPORT GENERATOR 03	1
40	60030090344	BACK-PRESSURE VALVE CPL.	1
43	60030087101	ENGINE BREATHER HOSE BOTTOM	1
44	60030087102	ENGINE BREATHER HOSE TOP	1

086113912

C096113912

\* NEW PART X ON DEMAND



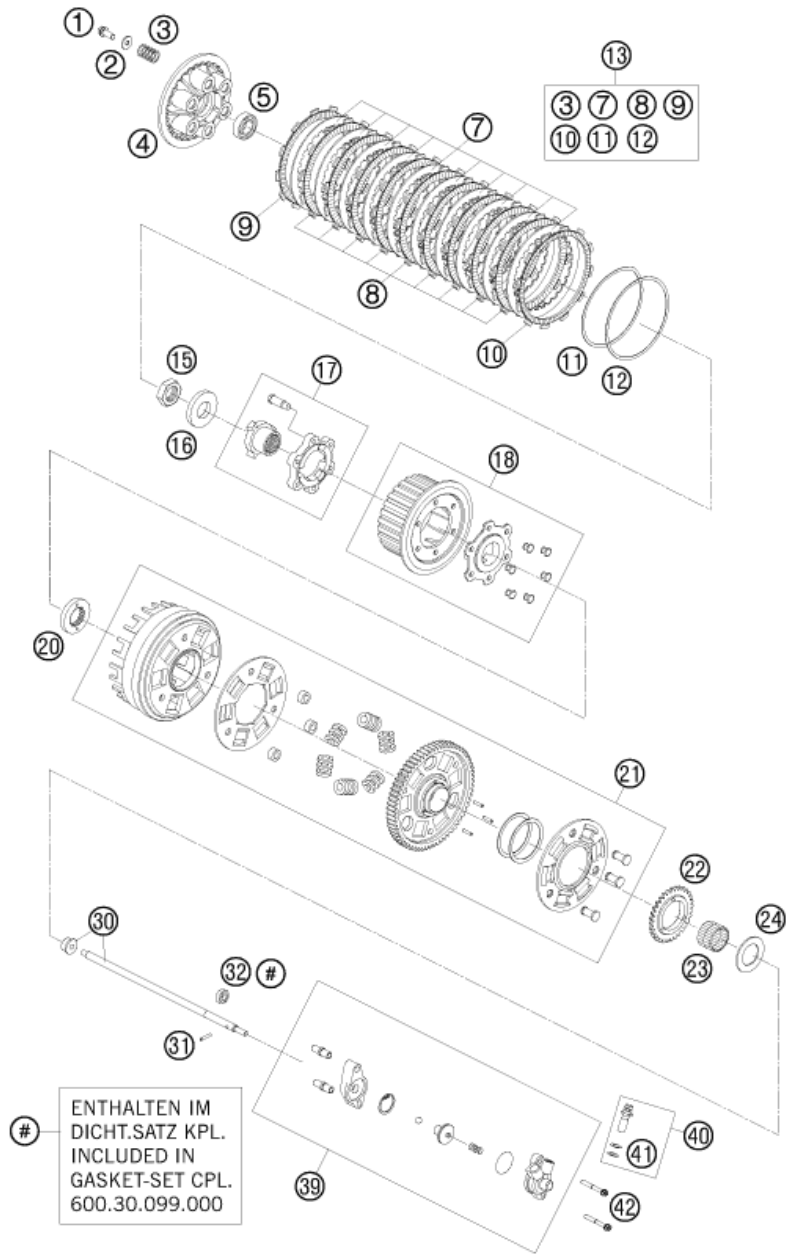
POS	PARTNUMBER	PARTNAME	PIECE
1	60040001000	E-STARTER ENGINE CPL. LC8-E 03	1
2	0025060256	HH COLLAR SCREW M6X25 TX30	4
3	0770335030	O-RING 33,5X3 VITON	1
4	0625160011	GROOV.BALL BEAR. 16001 JRX C3	2
5	60040017000	TORQUE LIMITER	1
6	0471170010	CIRCLIP DIN0471-17X1	1
7	50333041000	STOP DISC 17,2X26X1 B	1
8	60040022219	IDLER GEAR 1 19Z	1
9	0405172110	NEEDLE BEARING K 17X21X10	1
10	60040023100	BEARING BOLT	1
11	0618253220	NEEDLE BUSH HK2520 25/32/20 02	1
12	60040022023	IDLER GEAR 2 23-T 03	1
14	60040020000	FREEWHEEL GEAR WH. 57-T CPL.03	1
15	60040027050	SUPPORTING SLEEVE 03	2
16	60040027000	FREEWHEEL HOLDER 03	1
18	60039005100	IGNITION ROTOR 04 INCL. FREEWHEEL	1
20	0984060166	AH SCREW DIN6912 M6X16 10.9	6
21	0603061001	CU-SEAL RING DIN7603-6X10X1	1
22	0025060166	HH COLLAR SCREW M6X16 TX30	1
23	0985060003	SELF LOCK. NUT DIN0985-M 6	1
24	0125060003	WASHER DIN0125-A 6,4	1

086304010

C096304010

\* NEW PART

X ON DEMAND



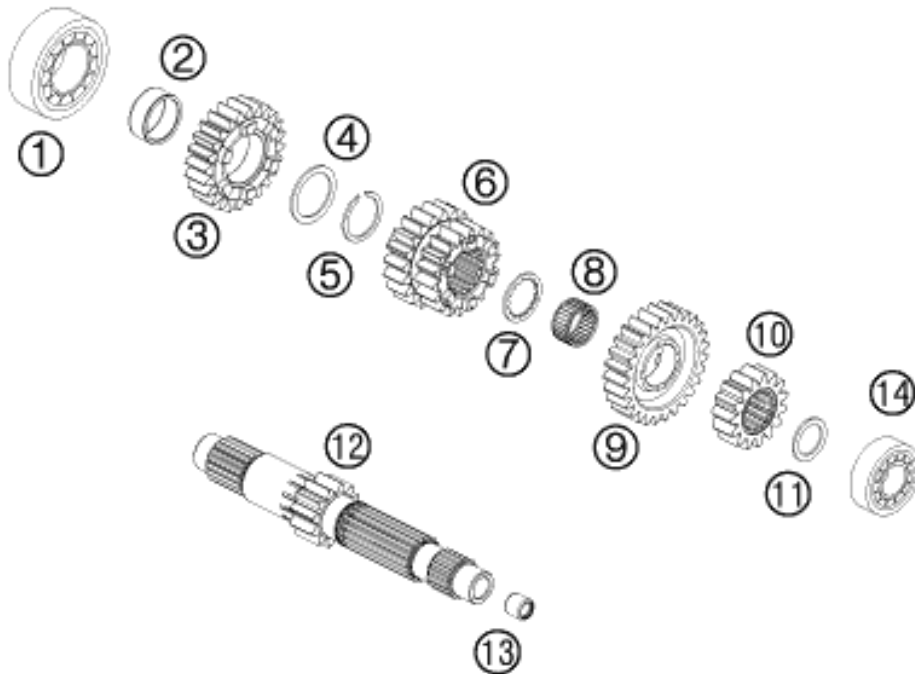
POS	PARTNUMBER	PARTNAME	PIECE
1	0025060166	HH COLLAR SCREW M6X16 TX30	6
2	0021060003	WASHER DIN9021-A 6,4	6
3	60032005000	CLUTCH SPRING LC8 2003	6
4	60032003000	PRESSURE CAP LC8 2003	1
5	0625060032	BALL BEARING 6003 JR2 C4	1
7	60032010000	STEEL DISC 2MM 03	10
8	60032011000	LINING DISK 2,8MM 03	9
9	60032111000	LINING DISK OUTSIDE 2,8MM 03	1
10	60032012000	LINING DISK TURN OUT 2,8MM 03	1
11	60032034000	BELLEVILLE SPRING 2003	1
12	60032035000	THRUST WASHER 2003	1
13	60032011010	CLUTCH KIT LC8 03-13	1
15	0936220155	HEXAGON NUT DIN0936-M22X1,5 R.	1
16	0125220393	PULLEY 22X39X3MM	1
17	60032080000	CLUTCH BOOSTER UNIT CPL. 03	1
18	60032002000	INNER CLUTCH HUB CPL. 03	1
20	60032021000	SECTION WASHER 03	1
21	60032001144	OUT.CLUTCH HUB CPL. 67-T 2004	1
22	60038001132	OIL PUMP GEAR WHEEL 32-T 07	1
23	0618303526	NEEDLE BUSH HK 30X35X26	1
24	60032020000	STOP DISK 30,2/50/2	1
30	60032054400	PUSH ROD CPL.	1
31	0402031780	NEEDLE ROL.DIN5402 NRB 3X17,8	1
32	0760091862	SHAFT SEAL RING 9X18X06 B-NBR	1
39	60032061244	CYLINDER CPL. LC8 08	1
40	50332062000	HOLLOW SCREW CPL. M 10X1 '98	1
41	0603100141	COPPER GASKET DIN7603-10X14X1	2
42	0025060506	HH COLLAR SCREW M6X50 TX30	2

086253211

C096253211

\* NEW PART

X ON DEMAND



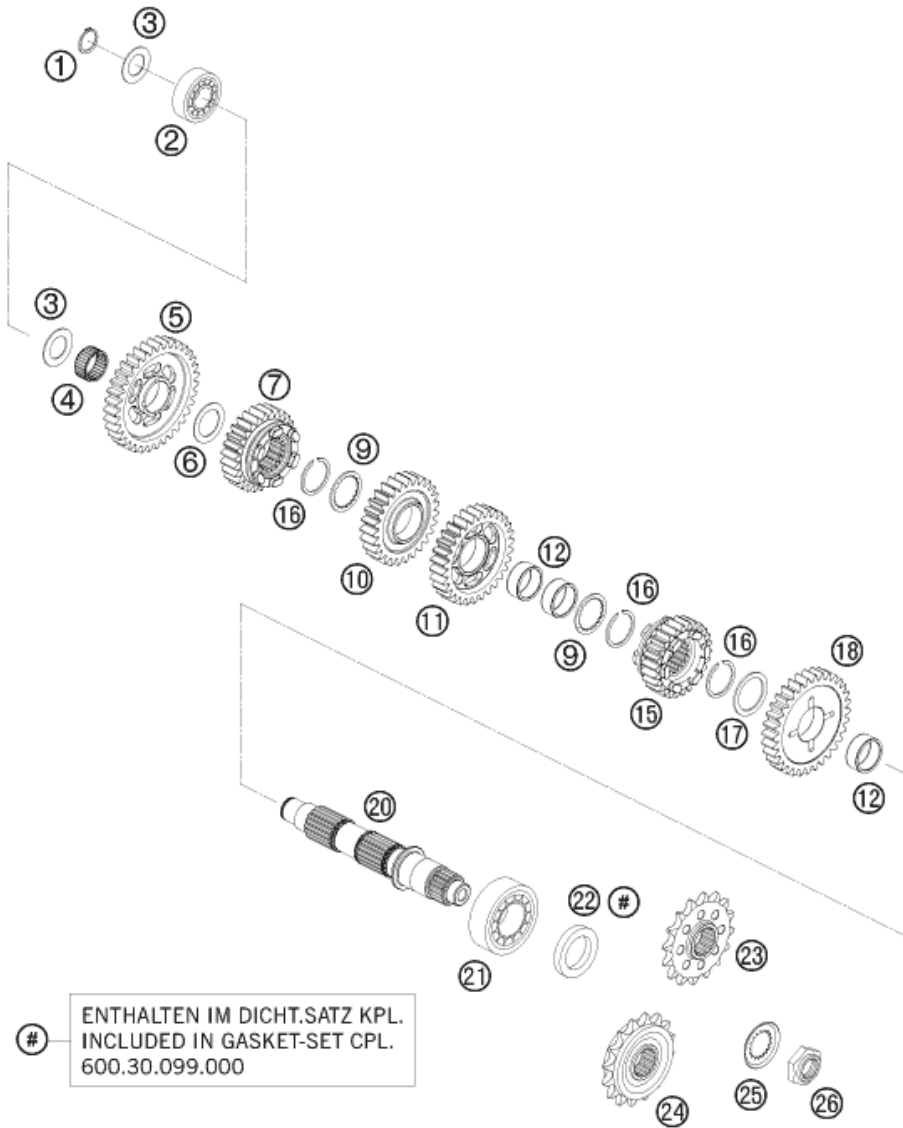
POS	PARTNUMBER	PARTNAME	PIECE
1*	0625062062	BALL BEARING 6206 C3 J1 NSK	1
2*	0405263113	NEEDLE BEAR. K 26-31-13	1
3*	61233105000	IDLER GEAR 5.G	1
4*	61233042000	STOP DISK 27,9/35,75/1,5	1
5*	60233050000	COPPER WASHER 25,5	1
6*	61233103000	SLIDING GEAR 3./4. G	1
7*	61233041000	STOP DISK 22,2/30,2/1,5	1
8*	0405222613	NEEDLE BEAR. K 22X26X13 TN	1
9*	61233106000	IDLER GEAR 6.G	1
10*	61233102000	SOLID GEAR 2.G	1
11*	60033040010	STOP DISK 20,2X28X1,0	x
11*	60033040011	STOP DISK 20,2X28X1,1	x
11*	60033040012	STOP DISK 20,2X28X1,2	x
11*	60033040013	STOP DISK 20,2X28X1,3	x
11*	60033040014	STOP DISK 20,2X28X1,4	x
11*	60033040015	STOP DISK 20,2X28X1,5	x
11*	60033040016	STOP DISK 20,2/28/1,6	x
11*	60033040017	STOP DISK 20,2/28/1,7	x
11*	60033040018	STOP DISK 20,2/28/1,8	x
11*	60033040019	STOP DISK 20,2/28/1,9	x
11*	60033040020	STOP DISK 20,2/28/2,0	x
11*	60033040021	STOP DISK 20,2/28/2,1	x
11*	60033040022	STOP DISK 20,2/28/2,2	x
12*	61233101000	MAIN SHAFT 14T	1
13*	0618091312	NEEDLE BUSH HK0912 9/13/12 03	1
14*	0625062040	BALL BEARING 6204 DU J1 C3	1

106113331

C106113331

\* NEW PART

X ON DEMAND



# ENTHALTEN IM DICHT.SATZ KPL.  
INCLUDED IN GASKET-SET CPL.  
600.30.099.000

POS	PARTNUMBER	PARTNAME	PIECE
1*	0471200120	CIRCLIP DIN471 20X1,2	1
2*	0625062040	BALL BEARING 6204 DU J1 C3	1
3*	60033043000	STOP DISK 20,2 X 34 X 1	1
4*	0405242813	NEEDLE BEAR. K 24X28X13 TN	1
5*	61233111000	IDLER GEAR 1.G	1
6*	60033044000	STOP DISK 24,3/35,75/1	1
7*	61233115000	SLIDING GEAR 5.G	1
9*	61233045000	STOP DISK 27/36/1,5	2
10*	61233114000	IDLER GEAR 4.G	1
11*	61233113000	IDLER GEAR 3.G	1
12*	0405263113	NEEDLE BEAR. K 26-31-13	3
15*	61233116000	SLIDING GEAR 6.G	1
16*	60233051000	COPPER WASHER 27,5	3
17*	61233046000	STOP DISK 29,9/39/1,5	1
18*	61233112000	IDLER GEAR 2.G	1
20*	60033110000	COUNTER SHAFT	1
21*	50330082000	CYL.ROLLER BEAR.NJ206 ET2XCS46	1
22*	0760304772	SH.SEAL RING 30X47X7 BSL VITON	1
23*	60033029017	CHAIN SPROCKET 17-T 03	x
24*	60033129016	CHAIN SPROCKET 16-T DAMP 03	1
24*	60033129017	CHAIN SPROCKET 17-T DAMPED 03	x
25*	60033034000	SECURING PLATE TOOTHED 03	1
26*	60033035000	HEXAGON NUT M20X1,5 03	1

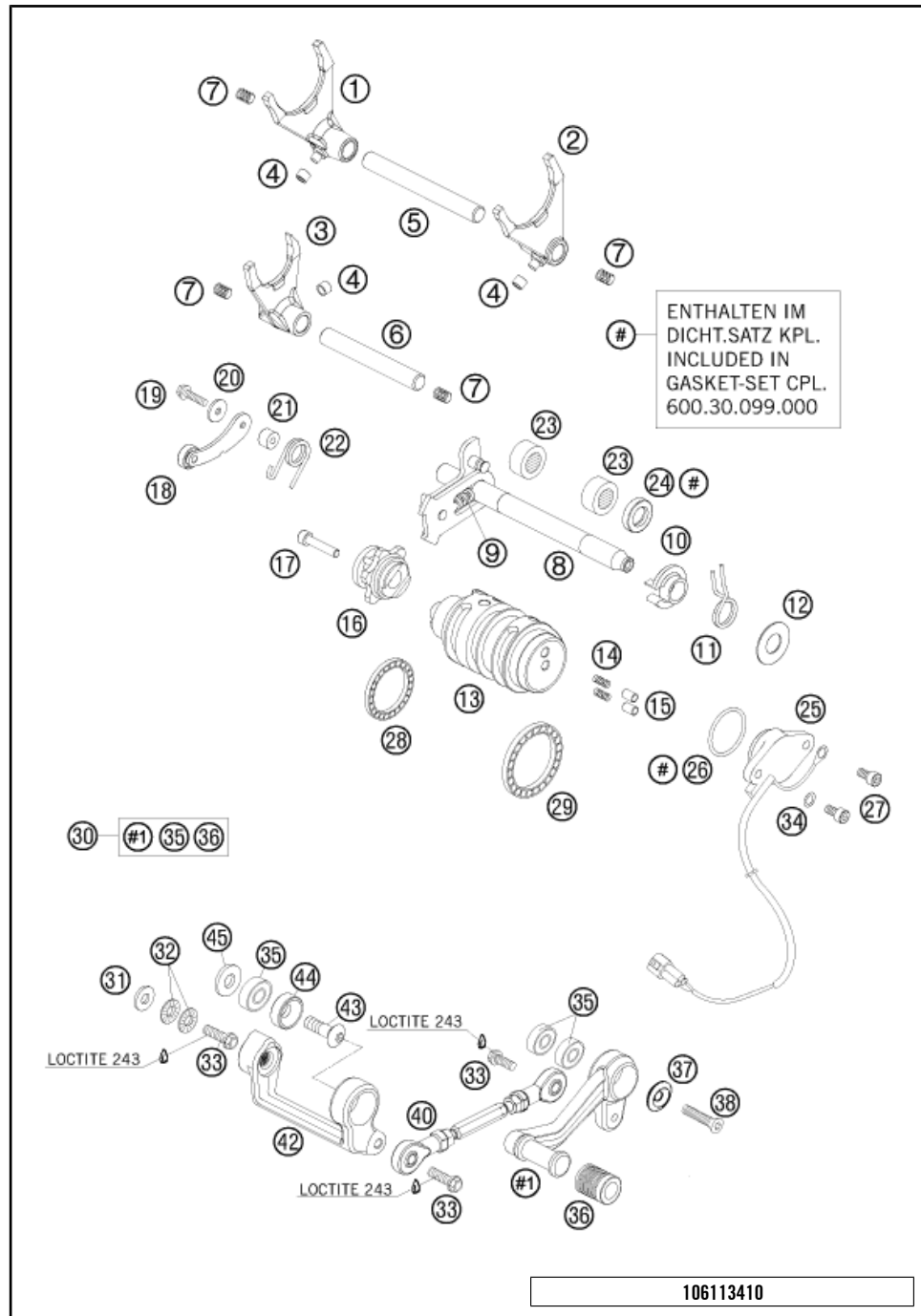
106113361

C106113361

\* NEW PART

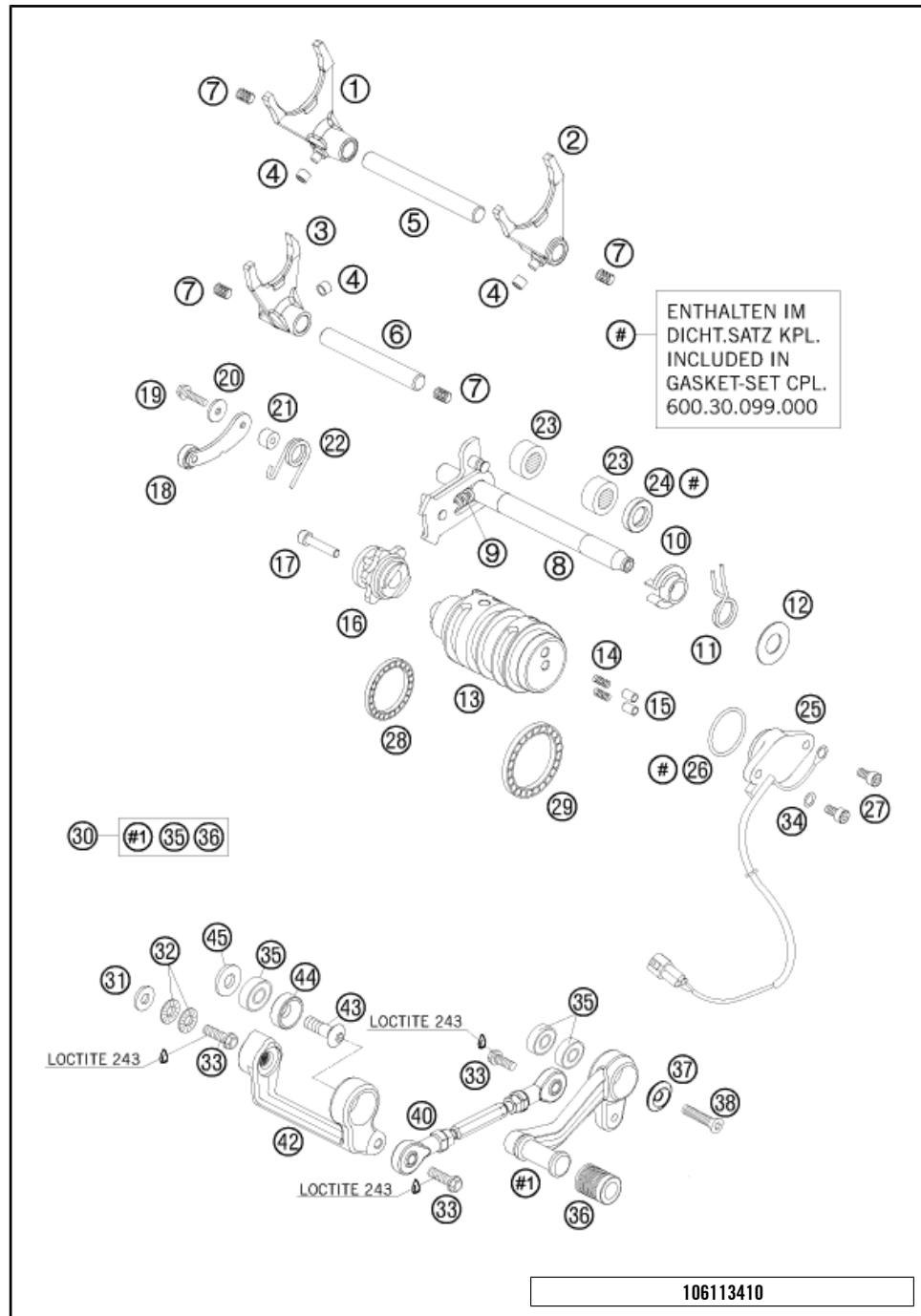
X ON DEMAND





POS	PARTNUMBER	PARTNAME	PIECE
1	60034001100	SHIFT FORK 1-4 GEAR	1
2	60034002100	SHIFT FORK 2-3 GEAR	1
3	60034003100	SHIFT FORK 5-6 GEAR	1
4	50334018100	SHIFTING ROLLER 6X8X5,2	3
5	59034020000	SHIFT RAIL 11,8X105MM	1
6	59034019000	SHIFT RAIL 11,8X89MM	1
7	58038023200	PRESSURE SPRING 0,9MM	4
8	60034005044	% SHIFT SHAFT CPL. 03	1
9	56534013100	TENSIONING SPRING 0,8MM	1
10	54634020000	SPRING GUIDE	1
11	54634014100	RETURN SPRING 2,2MM '95	1
12	54634050000	STOP DISK 14X30X1	1
13	60034012300	SHIFT ROLLER CPL. 06	1
14	60034014000	CONTACT SPRING 03	2
15	60034037000	CONTACT BOLT 03	2
16	60034015044	SHIFT ARRESTING CPL. 03	1
17	0912060303	AH SCREW DIN0912-M 6X30	1
18	60034024044	% ARRESTING LEVER CPL. 03	1
19	0025050206	HH COLLAR SCREW M5X20 TX30	1
20	0349000050	WASHER DIN7349-5X15X2	1
21	54634052300	SLEEVE FOR LOCKING LEVER	1
22	60034023000	ARRESTING LEVER SPRING 03	1
23	54632095000	NEEDLE BEAR.HK 1412 14X20X12	2
24	0760142460	SHAFT SEAL RING 14X24X6 B	1
25	60011023100	GEAR-POSITION SENSOR 06	1
26	0770275025	O-RING 27,5X2,5 NBR	1
27	0912050123	AH SCREW DIN0912-M 5X12	2
28	0625618050	BALL BEARING 61805 C3	1
29	0625068080	GROOVED BALL BEARING 6808 JRC3	1
30	6103403104433S	SHIFT LEVER CPL. BLACK 07	1
31	50232050001	STEEL WASHER 6,4X17X3	1
32	50233041000	PAIR OF WASHERS M 6 NORDLOCK	1
33	59009062019	SPECIAL SCREW M6X19 WS=8 10.9	3
34	0125050003	WASHER DIN0125-A 5,3	1
35	0625006087	GROOVED BALL BEAR. 608 2RS C3	3
36	61034035000	RUBBER FOR SHIFT LEVER 05	1
37	58303061100	SPECIAL WASHER ALU 8X24 MM ELO	1
38	61013059000	% FLAT HEAD SCREW M8X32 SL 05	1

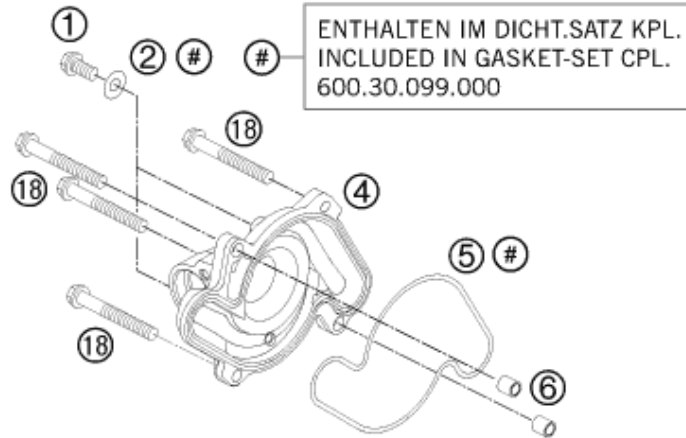
C096113411 \* NEW PART X ON DEMAND



POS	PARTNUMBER	PARTNAME	PIECE
40	61034036044	% SHIFT ROD CPL. 05	1
42	6103403000033S	RELAY LEVER BLACK 07	1
43	0019080266S	COUNTER-SUNK SCREW ISA45 M8X26	1
44	61034030050	WASHER COUNT. 8,5X21X7,804	1
45*	0125080003	WASHER DIN0125-A 8,4	1

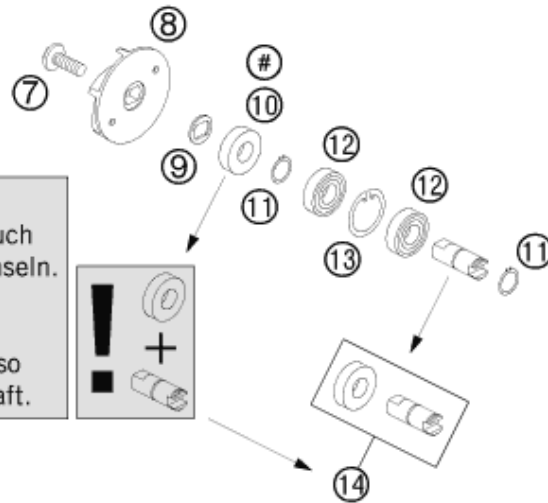
C096113411

\* NEW PART X ON DEMAND



**ACHTUNG !!!**  
 Mit dem Wellendichtring auch  
 die Wasserpumpenwelle wechseln.

**CAUTION !!!**  
 With the shaft seal ring also  
 change the water-pump shaft.



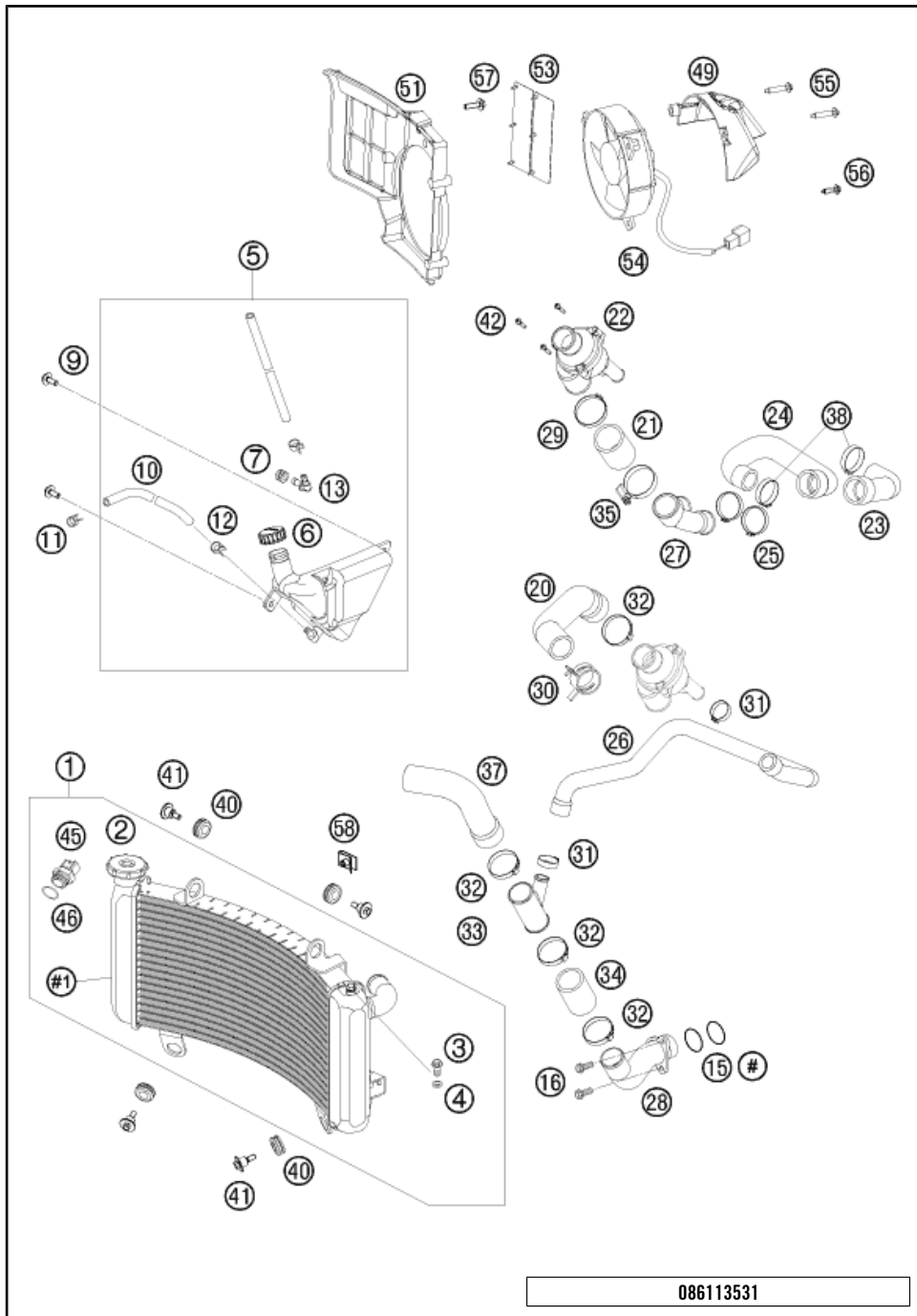
POS	PARTNUMBER	PARTNAME	PIECE
1	0025060106	HH COLLAR SCREW M6X10 TX30	2
2	0603061001	CU-SEAL RING DIN7603-6X10X1	2
4	6113505200023	MOLDED RING WATER PUMP COV. 09	1
5	60035053000	WATER-PUMP GASKET 03	1
6	59030023000	DOWEL 6X8X11,5	2
7	0024060156	HH COLLAR SCREW M6X15 TX30	1
8	61235055000	WATER PUMP ROTOR 08	1
9	60035055150	FORM WASHER 16X1 NIRO 03	1
10	0760123073	SHAFT SEAL RING 12X30X7 PTFE DOUBLE-LIP	1
11	0471120010	CIRCLIP DIN0471-12X1	2
12	0625069010	GROOVED BALL BEARING 6901V C3	2
13	0472240120	CIRCLIP DIN472 D=24X1,2	1
14	61135054044	WATER PUMP SHAFT W. SEAL RING INCL. SHAFT SEAL RING	1
18	0025060606	HH COLLAR SCREW M6X60 TX30	4
99	61235055010	WATER PUMP REP. KIT 09-12	x

086113510

C096113510

\* NEW PART

X ON DEMAND



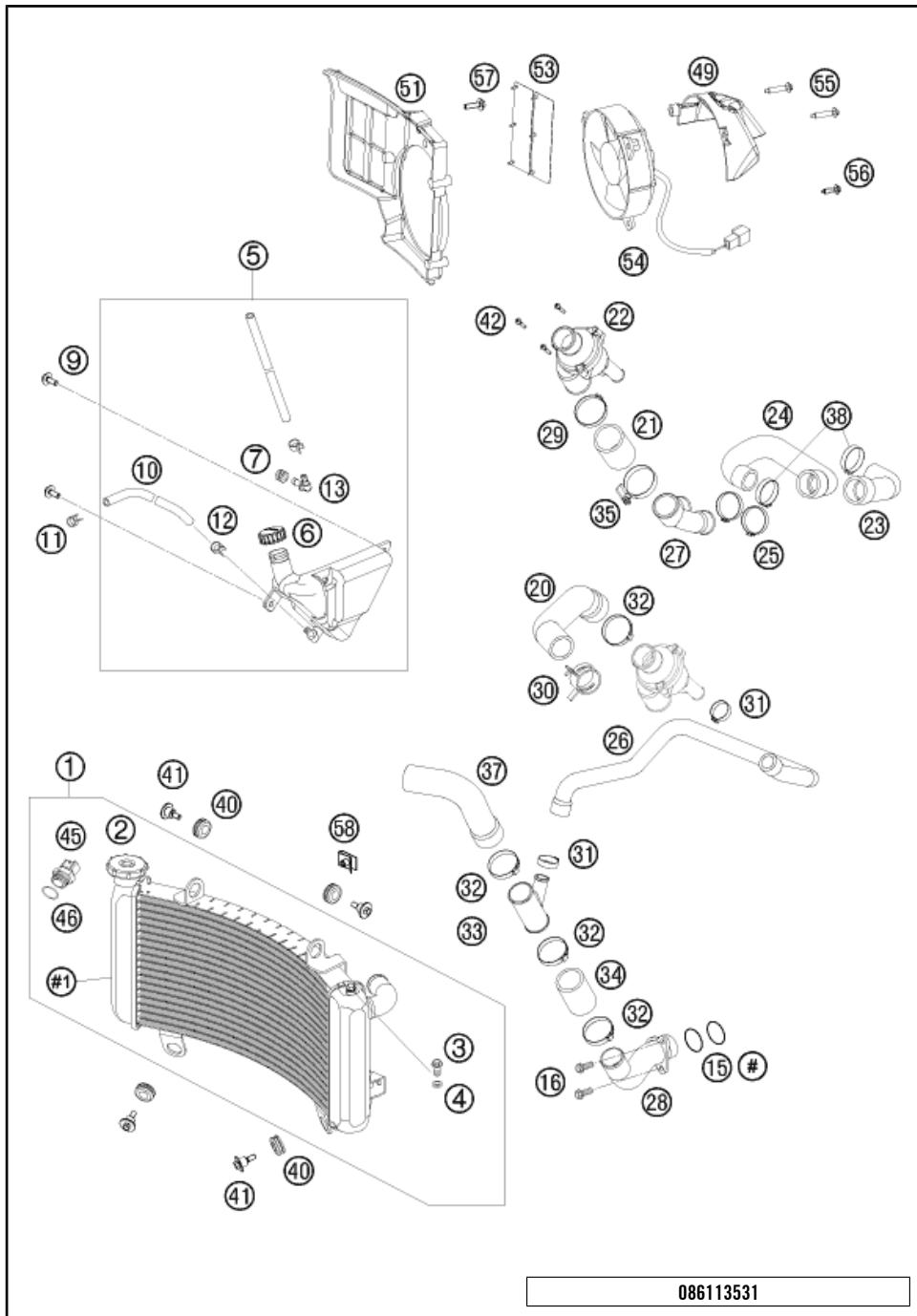
086113531

POS	PARTNUMBER	PARTNAME	PIECE
1	61035110000	% RADIATOR 990 DUKE 09	1
2	61035016000	RADIATOR CAP 990 DUKE 05	1
3	0025060106	HH COLLAR SCREW M6X10 TX30	1
4	60035048000	ALU-GASKET 6X10X1.5	1
5	61035065000	EXPANSION TANK CPL. 05	1
6	60035066000	PLUG F. EXPANSION TANK	1
7	58214069051	RUBBER GROMMET 16X10,8X3 02	1
9	0024060156	HH COLLAR SCREW M6X15 TX30	2
10	60035067001	HOSE 6X10 EPDM 03	x
11	50231005000	HOSE CLAMP YDNAC 10119 11MM	1
12	58007117000	YDNAC-CLAMP 10107 10MM	2
13	60035068000	ANGLE CONNECTION EXPANS. TANK	1
15	0770280030	O-RING 28,00X3,00 NBR 08	2
16	0025060606	HH COLLAR SCREW M6X60 TX30	2
20	61135028000	PREF. HOSE THERM./COOLER 08	1
21	61135028040	PREF. HOSE THERM./CYL. L=40 08	1
22	61135013044	THERMOSTAT CPL.	1
23	61135026000	PREF. HOSE THERM./CYL. REAR 08	1
24	61135027000	PREF. HOSE THERM./CYL.FRONT 08	1
25	00050346706	VARIABLE ONE-EAR CLAMP 34,6MM	2
26	61135025000	PREFORMED HOSE BYPASS 08	1
27	61135029000	Y-CONNECT. PIECE THERM./CYL 08	1
28	61135021000	PIPE WAPU 28X1,5 CPL. 08	1
29	00050396706	VARIABLE ONE-EAR CLAMP 39,6MM	1
30	00049320121	CLAMP STD DN32	2
31	00050226706	VARIABLE ONE-EAR CLAMP 22,6MM	2
32	00050381706	VARIABLE ONE-EAR CLAMP 38,1MM	4
33	61135023000	Y-CONNECTING PIECE WAPU BYPASS	1
34	61135024040	RADIATORHOSE RADIATOR/WAPU 08	1
35	10001120000	CLAMP 25-40 SGT 4	1
37	61135024000	PREFORMED HOSE COOLER/WAPU 08	1
38	00050316706	VARIABLE ONE-EAR CLAMP 31,6MM	2
40	41001052000	RUBBER SLEEVE D=12MM	4
41	60035001000	SPECIAL SCREW M6X21 WS=8	4
42	0016040183	SCREW FOR PLASTIC D=4X18	3
45	60035045000	THERMOSWITCH LC8 102DG '03	1
46	0770017015	O-RING 17X1,5 NB75	1
49	61035044050	FAN CAP 05	1

C106113531

\* NEW PART

X ON DEMAND

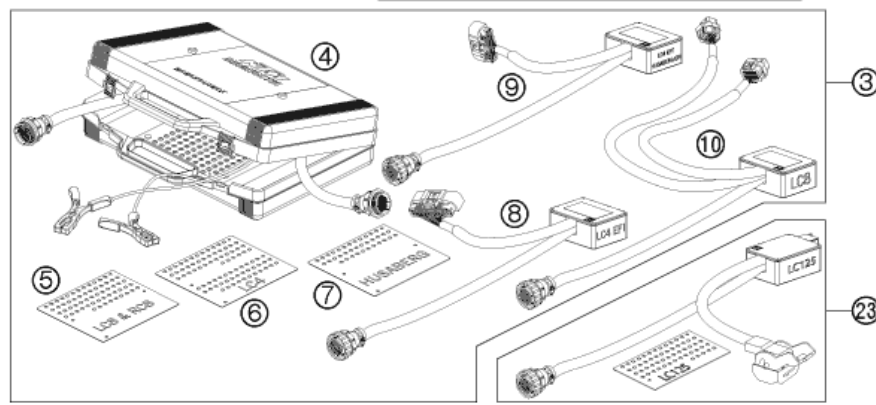
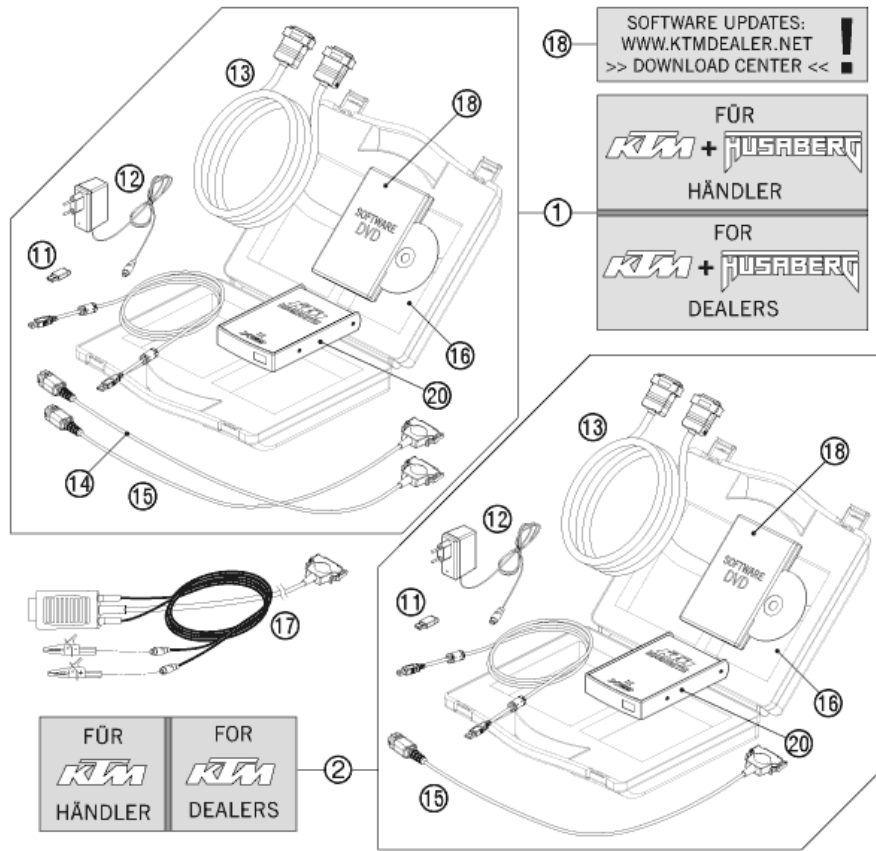


POS	PARTNUMBER	PARTNAME	PIECE
51	60035044000	FAN COWL L/S 03	1
53	62635044050	FAN CLACK RUBBER 08	2
54	60035041000	FAN L/S 03	1
55	0017060303	SPECIAL SCREW T60 6X30 WS=6	2
56	0017060203	EJOT PT SCREW K60X20 WS=6	1
57	0024060206	HH COLLAR SCREW M6X20 TX30	1
58	54603048100	RANGE CHANGE METAL NUT M6	3

086113531

C106113531

\* NEW PART X ON DEMAND



100002921

POS	PARTNUMBER	PARTNAME	PIECE
1	00029096200	DIAGNOSTIC TOOL HUSABERG/KTM	1
2	00029096100	DIAGNOSTIC TOOL KTM	1
3	00029095000	BREAKOUT-BOX KPL.	1
4	00029095001	BREAKOUT-BOX	1
5	00029095005	TEMPLATE LC8 / RC8	1
6	00029095006	TEMPLATE LC4	1
7	00029095007	TEMPLATE HUSABERG	1
8	00029095003	ADAPTER LC4 EFI	1
8	00029095010	ADAPTER LC4 KHRS FOR 690 DUKE FROM MY 2012	1
9	00029095004	ADAPTER LC4 EPT/HUSABERG EFI	1
10	00029095002	ADAPTER LC8	1
11	00029096006	DIAGNOSTIC HASP DONGLE XC1	2
12	00029096003	POWERSUPPLY 220V/12V FOR AVL	2
13	00029096002	EXTENSION CABLE	2
14	00029096001	DIAGNOSTIC CABLE HUSABERG	1
15	00029096009	DIAGNOSTIC CABLE KTM	2
16	00029096004	CASE FOR DIAGNOSTIC-TOOL	1
17	00029096010	DIAGN. CABLE EXT. POWER SUPPLY	1
18	00029096007	DVD KTM XC-1 UPDATE V4.0	2
20	00029096011	FRAME XC_1 SCANBOX KTM	1
23	00029095009	ADAPTER LC125	1

C100002921

\* NEW PART X ON DEMAND



WWW.KTM.COM



KTM-Sportmotorcycle AG  
5230 Mattighofen, Austria  
[www.ktm.com](http://www.ktm.com)



**KTM**\_POWERPARTS

**KTM**\_POWERWEAR

**KTM**\_ORIGINAL SPARE PARTS



3CM089822JEN

Art. Nr.: 3CM089822JEN 2. Dez. 2013