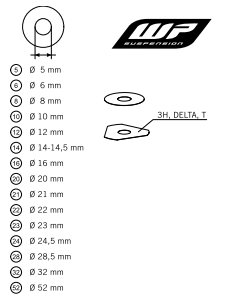
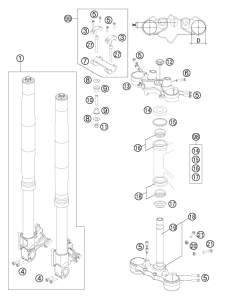
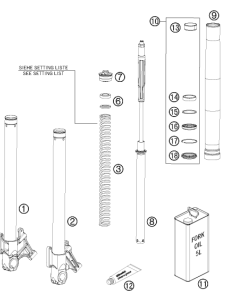
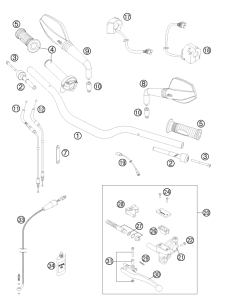

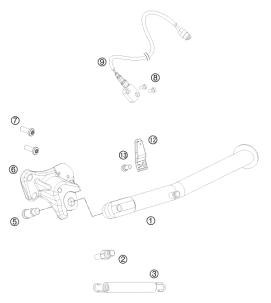
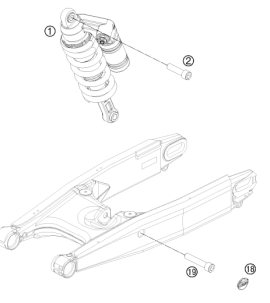
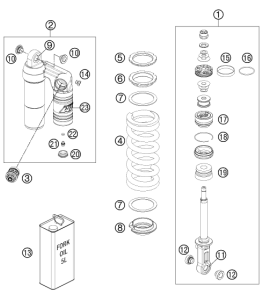
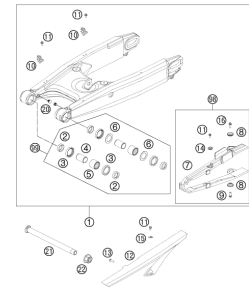
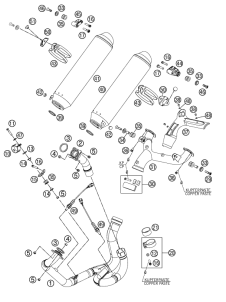
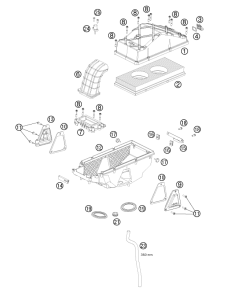
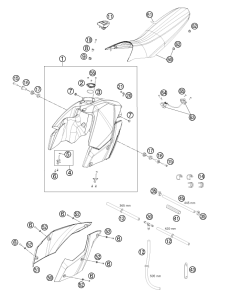
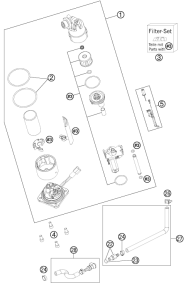

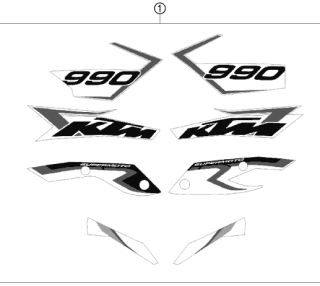
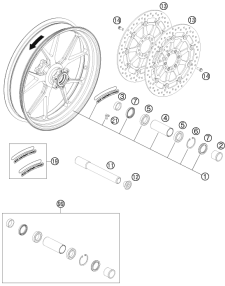
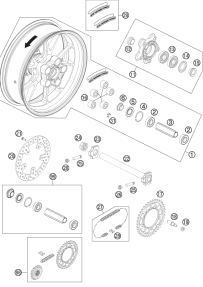
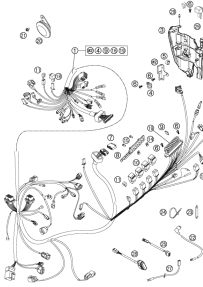
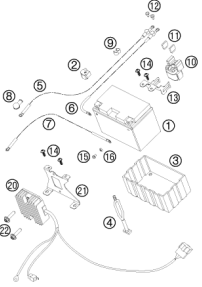
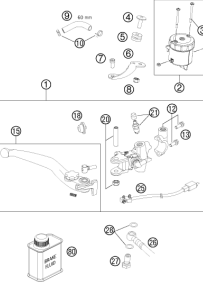
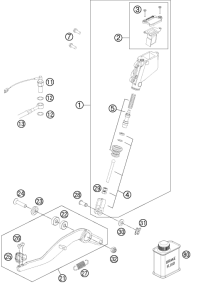
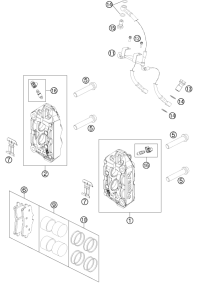
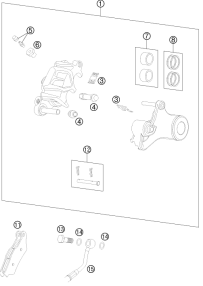
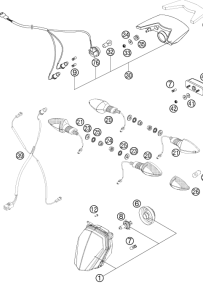


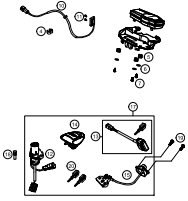
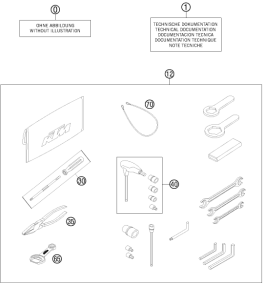
990 SUPERMOTO R EU 2011

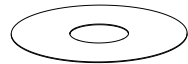
ART.-NR.: 3CF 9803K1EN



| | | | |
|--|--|--|---|
| <p>WP SHIMS FOR SETTING</p>  <p> ⓪ 5 mm ⓫ 6 mm ⓬ 8 mm ⓭ 10 mm ⓮ 12 mm ⓯ 14-14,5 mm ⓰ 16 mm ⓱ 20 mm ⓲ 21 mm ⓳ 22 mm ⓴ 23 mm ⓵ 24,5 mm ⓶ 28,5 mm ⓷ 32 mm ⓸ 52 mm </p> <p style="text-align: right;">4</p> | <p>FRONT FORK</p>  <p style="text-align: right;">11</p> | <p>FRONT FORK DISSASSEMBLED</p>  <p style="text-align: right;">12</p> | <p>HANDLEBAR, CONTROLS</p>  <p style="text-align: right;">13</p> |
| <p>FRAME</p>  <p style="text-align: right;">14</p> | <p>SIDE-, CENTERSTAND</p>  <p style="text-align: right;">16</p> | <p>MONOSHOCK</p>  <p style="text-align: right;">17</p> | <p>MONOSHOCK DISSASSEMBLED</p>  <p style="text-align: right;">18</p> |
| <p>SWING ARM</p>  <p style="text-align: right;">19</p> | <p>EXHAUST SYSTEM</p>  <p style="text-align: right;">20</p> | <p>AIR FILTER BOX</p>  <p style="text-align: right;">21</p> | <p>TANK, SEAT, COVER</p>  <p style="text-align: right;">22</p> |

| | | | |
|---|--|---|--|
| <p>FUEL PUMP</p>  <p>23</p> | <p>MASK, FENDER</p>  <p>24</p> | <p>DECAL</p>  <p>26</p> | <p>FRONT WHEEL</p>  <p>27</p> |
| <p>REAR WHEEL</p>  <p>28</p> | <p>WIRING HARNESS</p>  <p>29</p> | <p>BATTERY</p>  <p>30</p> | <p>HAND BREAK CYLINDER</p>  <p>31</p> |
| <p>REAR BREAK CONTROL</p>  <p>32</p> | <p>BREAK CALIPER FRONT</p>  <p>33</p> | <p>BREAK CALIPER REAR</p>  <p>34</p> | <p>LIGHTNING SYSTEM</p>  <p>35</p> |

| | | | |
|--|--|--|--|
| <p>INSTRUMENTS, LOCK SYSTEM</p>  <div data-bbox="250 411 412 475" style="border: 1px solid black; padding: 2px;"> <p>ACHTUNG !!! CAUTION !!!</p> <p>Zum Anlernen des ABS-Sensorgeltes sind ein roter und ein schwarzer Zündschlüssel erforderlich.</p> <p>To program the ABS control unit, one red and at least one black ignition keys are required.</p> </div> <p style="text-align: right; font-size: 2em;">36</p> | <p>ACCESSORIES KIT</p>  <p style="text-align: right; font-size: 2em;">37</p> | | |
| | | | |
| | <div data-bbox="674 1098 797 1385" style="background-color: #cccccc; display: flex; align-items: center; justify-content: center; width: 40px; height: 40px; margin-bottom: 10px;"> ! </div> <p>All information contained is without obligation. KTM Sportmotorcycle GmbH particularly reserves the right to modify any equipment, technical specifications, prices, colors, shapes, materials, services, service work, constructions, equipment and the like so as to adapt them to local conditions or to cancel any of the above items, all without previous announcement and without giving reasons. KTM may stop manufacturing certain models without previous notice. KTM shall not be held liable for any deviations of availability and/or ability to deliver, illustrations, descriptions, printing and/or other errors. The illustrated models partly contain extra equipment, which is not applied to standard models.</p> <p>© by KTM Sportmotorcycle GmbH, Mattighofen AUSTRIA; All rights reserved; Reprint, also in extracts, with written allowance of KTM Sportmotorcycle GmbH, Mattighofen only.</p> | | |



3H, DELTA, T

- ⑤ Ø 5 mm
- ⑥ Ø 6 mm
- ⑧ Ø 8 mm
- ⑩ Ø 10 mm
- ⑫ Ø 12 mm
- ⑭ Ø 14-14,5 mm
- ⑯ Ø 16 mm
- ⑳ Ø 20 mm
- ㉑ Ø 21 mm
- ㉒ Ø 22 mm
- ㉓ Ø 23 mm
- ㉔ Ø 24,5 mm
- ㉘ Ø 28,5 mm
- ㉚ Ø 32 mm
- ㉜ Ø 52 mm

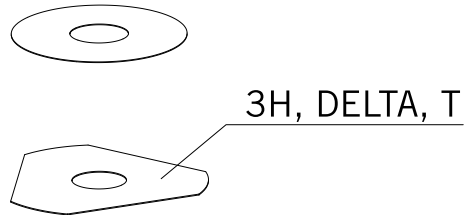
| POS | PARTNUMBER | PARTNAME | PIECE |
|-----|------------|---------------------|-------|
| 5 | 44906890 | WASHER 5X15X2 | X |
| 6 | 40540400 | SHIM 6X12X0,1 | X |
| 6 | 40540401 | SHIM 6X14X0,1 | X |
| 6 | 40540402 | SHIM 6X16X0,1 | X |
| 6 | 40540403 | SHIM 6X18X0,1 | X |
| 6 | 40540404 | SHIM 6X12X0,15 | X |
| 6 | 40540405 | SHIM 6X14X0,15 | X |
| 6 | 40540406 | SHIM 6X16X0,15 | X |
| 6 | 40540407 | SHIM 6X18X0,15 | X |
| 6 | 40540408 | SHIM 6X12X0,2 | X |
| 6 | 40540409 | SHIM 6X14X0,2 | X |
| 6 | 40540410 | SHIM 6X16X0,2 | X |
| 6 | 40540411 | SHIM 6X18X0,2 | X |
| 6 | 48600095 | * SHIM 6X20X0,20 | X |
| 6 | 40540412 | SHIM 6X12X0,25 | X |
| 6 | 40540413 | SHIM 6X14X0,25 | X |
| 6 | 40540414 | SHIM 6X16X0,25 | X |
| 6 | 40540415 | SHIM 6X18X0,25 | X |
| 6 | 40540417 | SHIM 6X8,5X0,10 | X |
| 6 | 40540418 | SHIM 6X9X0,10 | X |
| 6 | 40540419 | SHIM 6X9,5X0,10 | X |
| 6 | 40540423 | SHIM 6X9,5X0,15 | X |
| 6 | 40540425 | SHIM 6X8,5X0,20 | X |
| 6 | 40540426 | SHIM 6X9X0,20 | X |
| 6 | 40540427 | SHIM 6X9,5X0,20 | X |
| 6 | 40540447 | SHIM 6X10X0,3 | X |
| 6 | 40540449 | SHIM 6X9X0,3 | X |
| 6 | 40540450 | SHIM 6X9,5X0,3 | X |
| 6 | 40540494 | SHIM 6X18X0,4 | X |
| 6 | 40540774 | SHIM 6X18X0,1 DELTA | X |
| 6 | 40541383 | SHIM 6X11X0,1 | X |
| 6 | 40541391 | SHIM 6X11X0,3 | X |
| 6 | 40541402 | SHIM 6X11X0,2 | X |
| 6 | 40541403 | SHIM 6X10X0,20 | X |
| 6 | 40541404 | SHIM 6X10X0,1 | X |
| 6 | 40541405 | SHIM 6X10X0,15 | X |
| 6 | 40541406 | SHIM 6X11X0,15 | X |
| 6 | 40541408 | SHIM 6X8,0X0,30 | X |

080000190

C070000190

* NEW PART

X ON DEMAND



- ⑤ Ø 5 mm
- ⑥ Ø 6 mm
- ⑧ Ø 8 mm
- ⑩ Ø 10 mm
- ⑫ Ø 12 mm
- ⑭ Ø 14-14,5 mm
- ⑯ Ø 16 mm
- ⑳ Ø 20 mm
- ㉑ Ø 21 mm
- ㉒ Ø 22 mm
- ㉓ Ø 23 mm
- ㉔ Ø 24,5 mm
- ㉘ Ø 28,5 mm
- ㉚ Ø 32 mm
- ㉜ Ø 52 mm

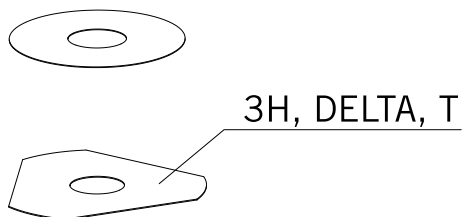
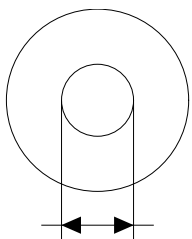
| POS | PARTNUMBER | PARTNAME | PIECE |
|-----|------------|----------------------|-------|
| 6 | 40541414 | SHIM 6X8,0X0,10 | X |
| 6 | 40541416 | SHIM 6X8X0,3 | X |
| 6 | 40541417 | SHIM 6X11X0,25 | X |
| 6 | 48600102 | * SHIM 6X24X0,25 | X |
| 6 | 48600063 | SHIM 6X24X0,1 | X |
| 6 | 48600064 | SHIM 6X22X0,1 | X |
| 6 | 48600065 | SHIM 6X20X0,1 | X |
| 6 | 48600069 | SHIM 6X20X0,15 | X |
| 6 | 48600100 | SHIM 6X24X0,15 | X |
| 6 | 48600116 | SHIM 6X24X0,1 DELTA | X |
| 6 | 48600139 | SHIM 6X22X0,1 DELTA | X |
| 6 | 48600217 | BACKPLATE 6X10X0,25 | X |
| 6 | 48600325 | SHIM 6X13X0,1 | X |
| 6 | 48600327 | SHIM 6X15X0,1 | X |
| 6 | 48600329 | SHIM 6X17X0,1 | X |
| 6 | 48600331 | SHIM 6X19X0,1 | X |
| 6 | 48600096 | * SHIM 6X20X0,25 | X |
| 6 | 48600097 | SHIM 6X22X0,15 | X |
| 6 | 48600099 | * SHIM 6X22X0,25 | X |
| 6 | 40540448 | BACKPLATE 6X8,5X0,30 | X |
| 6 | 48600479 | SHIM 6X20X0,1 T/3H | X |
| 6 | 48600332 | SHIM 6X21X0,1 | X |
| 6 | 48600333 | SHIM 6X23X0,1 | X |
| 6 | 40541393 | * SHIM 6X12X0,3 | X |
| 8 | 40540477 | SHIM 8X18X0,4 | X |
| 8 | 43570120 | SHIM 8X18X0,10 | X |
| 8 | 44916098 | WASHER 8,4X16X0,8 | X |
| 8 | 44916130 | WASHER 8,2X15X1 | X |
| 8 | 44916180 | WASHER 8,2X11X1 | X |
| 8 | 48600214 | SHIM 8X16X0,1 | X |
| 8 | 48600346 | SHIM 8X11X0,2 | X |
| 8 | 48600215 | CHECK VALVE 8X20X0,1 | X |
| 8 | 48600061 | CHECK VALVE 8X24X0,4 | X |
| 8 | 48600062 | CHECK VALVE 8X24X0,1 | X |
| 8 | 48600216 | CHECK VALVE 8X22X0,1 | X |
| 8 | 48600480 | SHIM 8X10X0,20 | X |
| 8 | 48600555 | SHIM 8X16X0,20 | X |
| 8 | 48600213 | SHIM 8X14X0,10 | X |

080000190

C070000190

* NEW PART

X ON DEMAND



- ⑤ Ø 5 mm
- ⑥ Ø 6 mm
- ⑧ Ø 8 mm
- ⑩ Ø 10 mm
- ⑫ Ø 12 mm
- ⑭ Ø 14-14,5 mm
- ⑯ Ø 16 mm
- ⑳ Ø 20 mm
- ㉑ Ø 21 mm
- ㉒ Ø 22 mm
- ㉓ Ø 23 mm
- ㉔ Ø 24,5 mm
- ㉘ Ø 28,5 mm
- ㉚ Ø 32 mm
- ㉜ Ø 52 mm

| POS | PARTNUMBER | PARTNAME | PIECE |
|-----|------------|------------------------|-------|
| 8 | 48600357 | CHECK VALVE 8X11X0,1 | X |
| 8 | 48600351 | CHECK VALVE 8X12X0,1 | X |
| 8 | 48600607 | Steering damper washer | X |
| 10 | 36120284 | SHIM 10X16X0,10 | X |
| 10 | 36120298 | SHIM 10X16X0,2 | X |
| 10 | 36120312 | SHIM 10X16X0,30 | X |
| 10 | 36120314 | SHIM 10X18X0,30 | X |
| 10 | 36120325 | SHIM 10X19X0,15 | X |
| 10 | 36120327 | SHIM 10X23X0,15 | X |
| 10 | 36120328 | SHIM 10X25X0,15 | X |
| 10 | 36120329 | SHIM 10X27X0,15 | X |
| 10 | 36120330 | SHIM 10X29X0,15 | X |
| 10 | 36120331 | SHIM 10X31X0,15 | X |
| 10 | 36120332 | SHIM 10X33X0,15 | X |
| 10 | 36120334 | SHIM 10X21X0,20 | X |
| 10 | 36120335 | SHIM 10X23X0,20 | X |
| 10 | 36120336 | SHIM 10X25X0,20 | X |
| 10 | 36120337 | SHIM 10X27X0,20 | X |
| 10 | 36120338 | SHIM 10X29X0,20 | X |
| 10 | 36120339 | SHIM 10X31X0,20 | X |
| 10 | 36120340 | SHIM 10X33X0,20 | X |
| 10 | 36120342 | SHIM 10X21X0,25 | X |
| 10 | 36120343 | SHIM 10X23X0,25 | X |
| 10 | 36120344 | SHIM 10X25X0,25 | X |
| 10 | 36120345 | SHIM 10X27X0,25 | X |
| 10 | 36120349 | SHIM 10X19X0,30 | X |
| 10 | 36120350 | SHIM 10X21X0,30 | X |
| 10 | 40140275 | WASHER 10X35X0,15 | X |
| 10 | 36120346 | * SHIM 10X29X0,25 | X |
| 10 | 50180010 | * SHIM 16X24X0,10 | X |
| 10 | 36120604 | SHIM D10XD22X2,5 | X |
| 12 | 46810490 | SHIM 12X24X0,20 | X |
| 12 | 46810491 | SHIM 12X26X0,20 | X |
| 12 | 46810492 | SHIM 12X28X0,20 | X |
| 12 | 46810493 | SHIM 12X30X0,20 | X |
| 12 | 46810494 | SHIM 12X32X0,20 | X |
| 12 | 46810495 | SHIM 12X34X0,20 | X |
| 12 | 46810496 | SHIM 12X36X0,20 | X |

080000190

C070000190

* NEW PART

X ON DEMAND



3H, DELTA, T

- ⑤ Ø 5 mm
- ⑥ Ø 6 mm
- ⑧ Ø 8 mm
- ⑩ Ø 10 mm
- ⑫ Ø 12 mm
- ⑭ Ø 14-14,5 mm
- ⑯ Ø 16 mm
- ⑳ Ø 20 mm
- ㉑ Ø 21 mm
- ㉒ Ø 22 mm
- ㉓ Ø 23 mm
- ㉔ Ø 24,5 mm
- ㉘ Ø 28,5 mm
- ㉚ Ø 32 mm
- ㉜ Ø 52 mm

| POS | PARTNUMBER | PARTNAME | PIECE |
|-----|------------|----------------------|-------|
| 12 | 46810497 | SHIM 12X38X0,20 | X |
| 12 | 46810498 | SHIM 12X40X0,20 | X |
| 12 | 46810499 | SHIM 12X24X0,25 | X |
| 12 | 46810500 | SHIM 12X26X0,25 | X |
| 12 | 46810501 | SHIM 12X28X0,25 | X |
| 12 | 46810502 | SHIM 12X30X0,25 | X |
| 12 | 46810504 | SHIM 12X34X0,25 | X |
| 12 | 46810505 | SHIM 12X36X0,25 | X |
| 12 | 46810507 | SHIM 12X40X0,25 | X |
| 12 | 46810508 | SHIM 12X24X0,30 | X |
| 12 | 46810509 | SHIM 12X26X0,30 | X |
| 12 | 46810510 | SHIM 12X28X0,30 | X |
| 12 | 46810512 | SHIM 12X32X0,30 | X |
| 12 | 46810513 | SHIM 12X34X0,30 | X |
| 12 | 46810518 | SHIM 12X26X0,15 | X |
| 12 | 46810519 | SHIM 12X28X0,15 | X |
| 12 | 46810520 | SHIM 12X30X0,15 | X |
| 12 | 46810521 | SHIM 12X32X0,15 | X |
| 12 | 46810522 | SHIM 12X34X0,15 | X |
| 12 | 46810523 | SHIM 12X36X0,15 | X |
| 12 | 46810524 | SHIM 12X38X0,15 | X |
| 12 | 46810525 | SHIM 12X40X0,15 | X |
| 12 | 46810604 | SHIM 12X20X0,10 | X |
| 12 | 46810606 | SHIM 12X22X0,10 | X |
| 12 | 46810607 | SHIM 12X23X0,10 | X |
| 12 | 46810608 | SHIM 12X24X0,10 | X |
| 12 | 46810610 | SHIM 12X27X0,15 | X |
| 12 | 46810611 | SHIM 12X18X0,15 | X |
| 12 | 46810612 | SHIM 12X19X0,15 | X |
| 12 | 46810615 | SHIM 12X22X0,15 | X |
| 12 | 46810636 | BACKPLATE 12X16X0,30 | X |
| 12 | 46810637 | BACKPLATE 12X17X0,30 | X |
| 12 | 46810638 | BACKPLATE 12X18X0,30 | X |
| 12 | 46810639 | SHIM 12X19X0,30 | X |
| 12 | 46810641 | BACKPLATE 12X21X0,30 | X |
| 12 | 46811582 | BACKPLATE 12X30X0,10 | X |
| 12 | 46810631 | SHIM 12X20X0,25 | X |
| 12 | 46810633 | SHIM 12X22X0,25 | X |

080000190

C070000190

* NEW PART

X ON DEMAND



3H, DELTA, T

- ⑤ Ø 5 mm
- ⑥ Ø 6 mm
- ⑧ Ø 8 mm
- ⑩ Ø 10 mm
- ⑫ Ø 12 mm
- ⑭ Ø 14-14,5 mm
- ⑯ Ø 16 mm
- ⑳ Ø 20 mm
- ㉑ Ø 21 mm
- ㉒ Ø 22 mm
- ㉓ Ø 23 mm
- ㉔ Ø 24,5 mm
- ㉘ Ø 28,5 mm
- ㉚ Ø 32 mm
- ㉜ Ø 52 mm

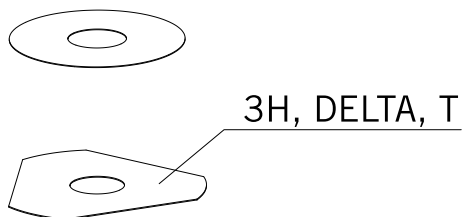
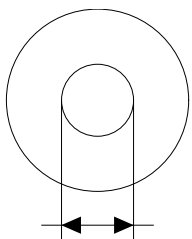
| POS | PARTNUMBER | PARTNAME | PIECE |
|-----|------------|----------------------|-------|
| 12 | 46810624 | * SHIM 12X22X0,20 | X |
| 12 | 46811580 | SHIM 12X32X0,10 | X |
| 12 | 46810503 | SHIM 12X32X0,25 | X |
| 12 | 46810517 | * SHIM 12X24X0,15 | X |
| 12 | 46810640 | % SHIM 12X20X0,30 | X |
| 14 | 46811046 | SHIM 14,5X35,4X1,25 | X |
| 16 | 50180006 | BACKPLATE 16X20X0,10 | X |
| 16 | 50180007 | SHIM 16X21X0,10 | X |
| 16 | 50180028 | SHIM 16X21X0,25 | X |
| 16 | 50180210 | WASHER 16X21X1 | X |
| 16 | 50180008 | SHIM 16X22X0,10 | X |
| 16 | 50180022 | SHIM 16X22X0,20 | X |
| 16 | 50180037 | SHIM 16X23X0,30 | X |
| 16 | 50180038 | SHIM 16X24X0,30 | X |
| 16 | 50180032 | SHIM 15X25X0,25 | X |
| 16 | 50180039 | SHIM 16X25X0,30 | X |
| 16 | 50180012 | SHIM 16X26X0,10 | X |
| 16 | 50180019 | SHIM 16X26X0,15 | X |
| 16 | 50180026 | SHIM 16X26X0,20 | X |
| 16 | 50180040 | SHIM 16X26X0,30 | X |
| 16 | 50180041 | SHIM 16X28X0,10 | X |
| 16 | 50180045 | SHIM 16X28X0,15 | X |
| 16 | 50180054 | SHIM 16X28X0,20 | X |
| 16 | 50180063 | SHIM 16X28X0,25 | X |
| 16 | 50180072 | SHIM 16X28X0,30 | X |
| 16 | 50180046 | SHIM 16X30X0,15 | X |
| 16 | 50180055 | SHIM 16X30X0,20 | X |
| 16 | 50180064 | SHIM 16X30X0,25 | X |
| 16 | 50180073 | SHIM 16X30X0,30 | X |
| 16 | 50180047 | SHIM 16X32X0,15 | X |
| 16 | 50180056 | SHIM 16X32X0,20 | X |
| 16 | 50180065 | SHIM 16X32X0,25 | X |
| 16 | 50180074 | SHIM 16X32X0,30 | X |
| 16 | 50180044 | SHIM 16X34X0,10 | X |
| 16 | 50180048 | SHIM 16X34X0,15 | X |
| 16 | 50180057 | SHIM 16X34X0,20 | X |
| 16 | 50180066 | SHIM 16X34X0,25 | X |
| 16 | 50180075 | SHIM 16X34X0,30 | X |

080000190

C070000190

* NEW PART

X ON DEMAND



- ⑤ Ø 5 mm
- ⑥ Ø 6 mm
- ⑧ Ø 8 mm
- ⑩ Ø 10 mm
- ⑫ Ø 12 mm
- ⑭ Ø 14-14,5 mm
- ⑯ Ø 16 mm
- ⑳ Ø 20 mm
- ㉑ Ø 21 mm
- ㉒ Ø 22 mm
- ㉓ Ø 23 mm
- ㉔ Ø 24,5 mm
- ㉘ Ø 28,5 mm
- ㉚ Ø 32 mm
- ㉜ Ø 52 mm

| POS | PARTNUMBER | PARTNAME | PIECE |
|-----|------------|-----------------------------|-------|
| 16 | 50180049 | SHIM 16X36X0,15 | X |
| 16 | 50180058 | SHIM 16X36X0,20 | X |
| 16 | 50180067 | SHIM 16X36X0,25 | X |
| 16 | 50180076 | SHIM 16X36X0,30 | X |
| 16 | 50180050 | SHIM 16X38X0,15 | X |
| 16 | 50180059 | SHIM 16X38X0,20 | X |
| 16 | 50180068 | SHIM 16X38X0,25 | X |
| 16 | 50180077 | SHIM 16X38X0,30 | X |
| 16 | 50180051 | SHIM 16X40X0,15 | X |
| 16 | 50180060 | SHIM 16X40X0,20 | X |
| 16 | 50180069 | SHIM 16X40X0,25 | X |
| 16 | 50180078 | SHIM 16X40X0,30 | X |
| 16 | 50180052 | SHIM 16X42X0,15 | X |
| 16 | 50180061 | SHIM 16X42X0,20 | X |
| 16 | 50180070 | SHIM 16X42X0,25 | X |
| 16 | 50180079 | SHIM 16X42X0,30 | X |
| 16 | 50180053 | SHIM 16X44X0,15 | X |
| 16 | 50180062 | SHIM 16X44X0,20 | X |
| 16 | 50180071 | SHIM 16X44X0,25 | X |
| 16 | 50180080 | SHIM 16X44X0,30 | X |
| 16 | 50180177 | WASHER 16X8,2X0,6 | X |
| 16 | 50180033 | SHIM 16X26X0,25 | X |
| 16 | 50180034 | BACKPLATE 16X20X0,30 | X |
| 16 | 50180035 | BACKPLATE 16X21X0,30 | X |
| 16 | 50180036 | BACKPLATE 16X22X0,30 | X |
| 16 | 50180043 | SHIM | X |
| 16 | 50180024 | * SHIM 16X24X0,20 | X |
| 16 | 50180027 | * SHIM 16X20X0,25 | X |
| 16 | 50180031 | SHIM | X |
| 20 | 48600212 | PRESSURE-RING 20X16,25X0,20 | X |
| 20 | 50180666 | SHIM 20X24X0,30 | X |
| 20 | 50180654 | SHIM 20X36X0,20 | X |
| 20 | 50180655 | SHIM 20X38X0,20 | X |
| 20 | 50180656 | SHIM 20X40X0,20 | X |
| 20 | 50180665 | SHIM 20X40X0,25 | X |
| 20 | 50180662 | SHIM 20X34X0,25 | X |
| 20 | 50180657 | SHIM 20X24X0,25 | X |
| 20 | 50180653 | SHIM 20X34X0,20 | X |

080000190

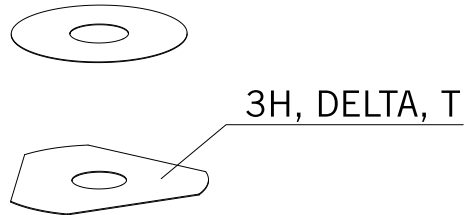
C070000190

* NEW PART

X ON DEMAND



- ⑤ Ø 5 mm
- ⑥ Ø 6 mm
- ⑧ Ø 8 mm
- ⑩ Ø 10 mm
- ⑫ Ø 12 mm
- ⑭ Ø 14-14,5 mm
- ⑯ Ø 16 mm
- ⑳ Ø 20 mm
- ㉑ Ø 21 mm
- ㉒ Ø 22 mm
- ㉓ Ø 23 mm
- ㉔ Ø 24,5 mm
- ㉘ Ø 28,5 mm
- ㉚ Ø 32 mm
- ㉜ Ø 52 mm



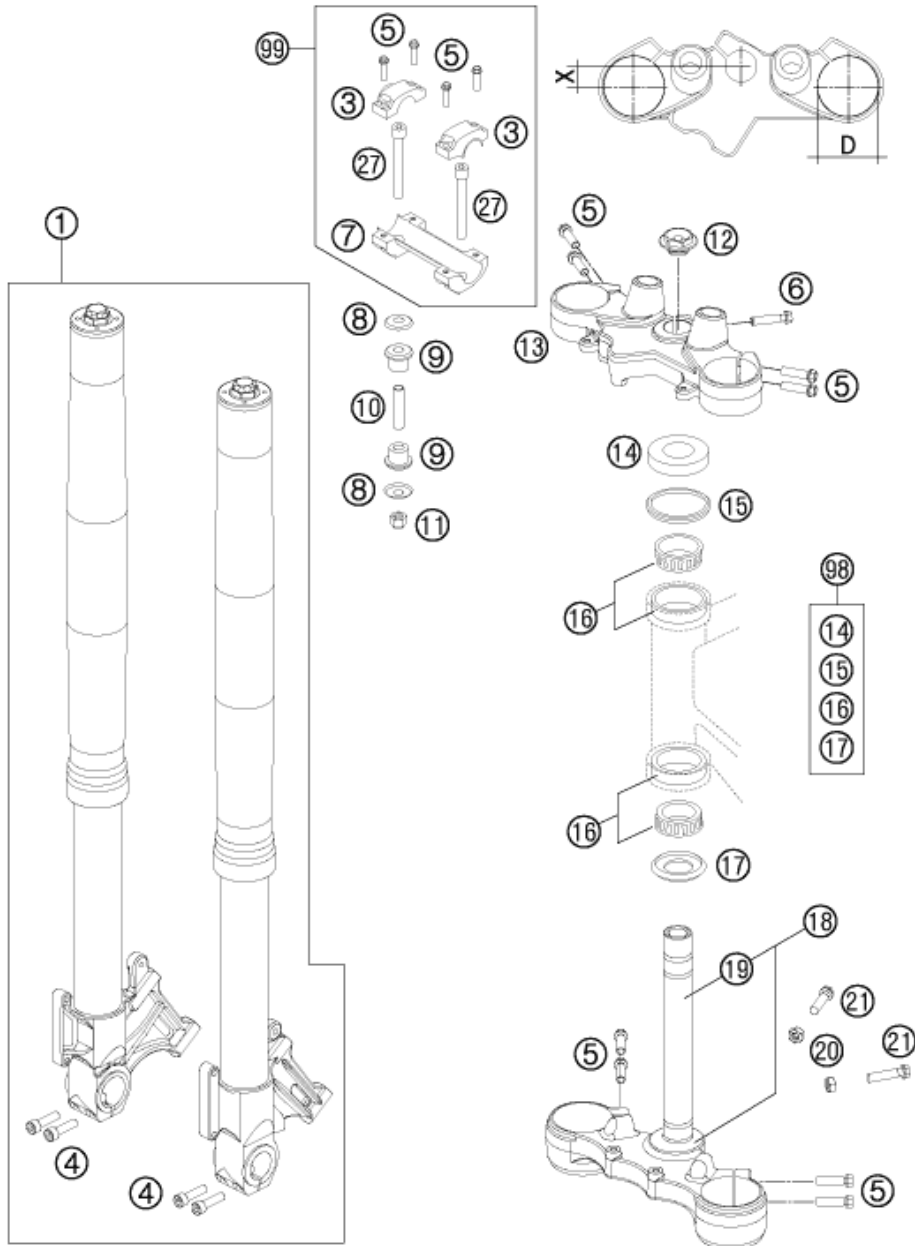
| POS | PARTNUMBER | PARTNAME | PIECE |
|-----|------------|--------------------------|-------|
| 20 | 50180634 | RING 20X22,9X1 | X |
| 21 | 50180209 | WASHER 21X36X0,25 | X |
| 22 | 50180330 | * PRESS. RING 22X18X0,30 | X |
| 23 | 50180635 | SHUTTLE VALVE 23X38X0,25 | X |
| 23 | 50180578 | SHIM D23XD16X2 | X |
| 24 | 40541061 | WASHER 24,5X34X2 | X |
| 28 | 36120469 | SHIM 28,5X14X2 | X |
| 28 | 36120471 | SHIM 28,5X14X5 | X |
| 32 | 48600460 | WASHER 32X42X2,5 | X |
| 32 | 50600065 | SHIM 32X45X2 | X |
| 32 | 46811637 | PRESSURE RING 36X32,25 | X |
| 52 | 50600002 | SHIM 52X59X2,2 | X |

080000190

C070000190

* NEW PART

X ON DEMAND



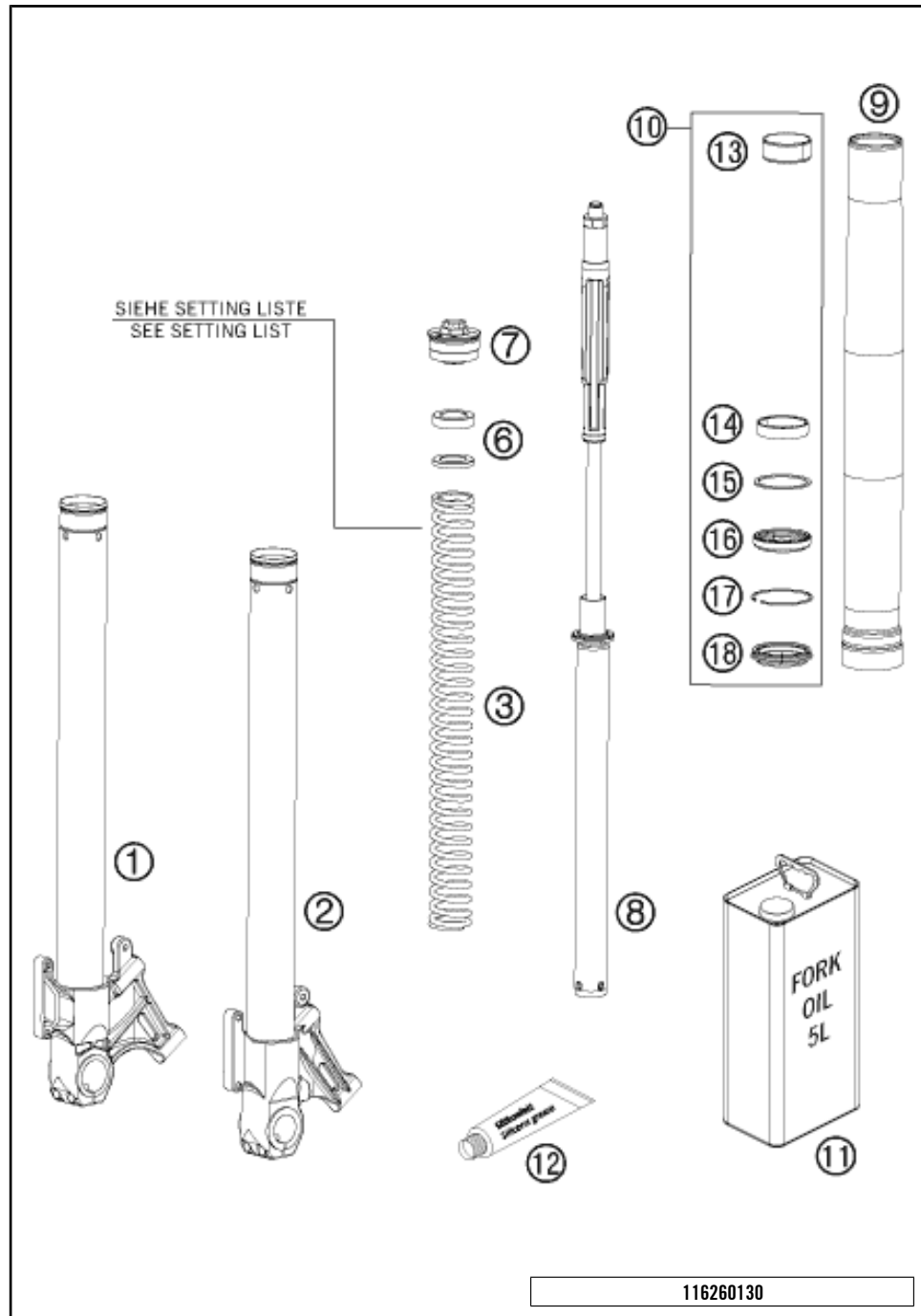
116260110

| POS | PARTNUMBER | PARTNAME | PIECE |
|-----|----------------|--------------------------------|-------|
| 1 | 14187E2101 | FORK KTM 990 SM-R 2009 | 1 |
| 3 | 5900103830001S | HANDLEBAR CLAMP 28MM 07 | 2 |
| 4 | 0912080303 | AH SCREW DIN0912-M 8X30 | 4 |
| 5 | 0035080306 | AH-COLLAR SCREW M8X30 ISA45 | 12 |
| 6 | 0035080356 | AH-COLLAR SCREW M8X35 ISA45 | 1 |
| 7 | 5900103920001S | HANDLEBAR SUPPORT 28MM 07 | 1 |
| 8 | 56401042000 | WASHER 10,5X32X2 | 4 |
| 9 | 56401040000 | RUBBER BUSHING | 4 |
| 10 | 56401041100 | SPACER TUBE 10,2X12X44 | 2 |
| 11 | 0982100003 | SELF LOCK.NUT DIN0982-M10 HIGH | 2 |
| 12 | 54801036200 | STEER.HEAD SCREW M20x1,5 SW=27 | 1 |
| 13 | 6250103402633S | TOP TRIPLE CLAMP | 1 |
| 14 | 61001086000 | STEERING HEAD COVER 05 | 1 |
| 15 | 54601184000 | STEERING HEAD GASKET TOP | 1 |
| 16 | 54201081100 | TAPERED ROLLER BEARING CPL. 06 | 2 |
| 17 | 54601084100 | %O-RING SUPPORT W. SEALING LIP | 1 |
| 18 | 6250103202633S | BOTTOM TRIPLE CLAMP CPL. | 1 |
| 19 | 60001033000 | FORK TUBE LC8 ADV 03 | 1 |
| 20 | 0934080003 | HEXAGON NUT DIN0934-M 8 | 2 |
| 21 | 0933080303 | HH SCREW DIN0933-M 8X30 | 2 |
| 27 | 0984100703 | AH SCREW DIN6912-M10X70 | 2 |
| 98 | 00050000930 | STEERING HEAD REP. KIT 06-15 | x |
| 99 | 00050000922 | HANDLEBAR SUPPORT KIT | x |

C116260110

* NEW PART

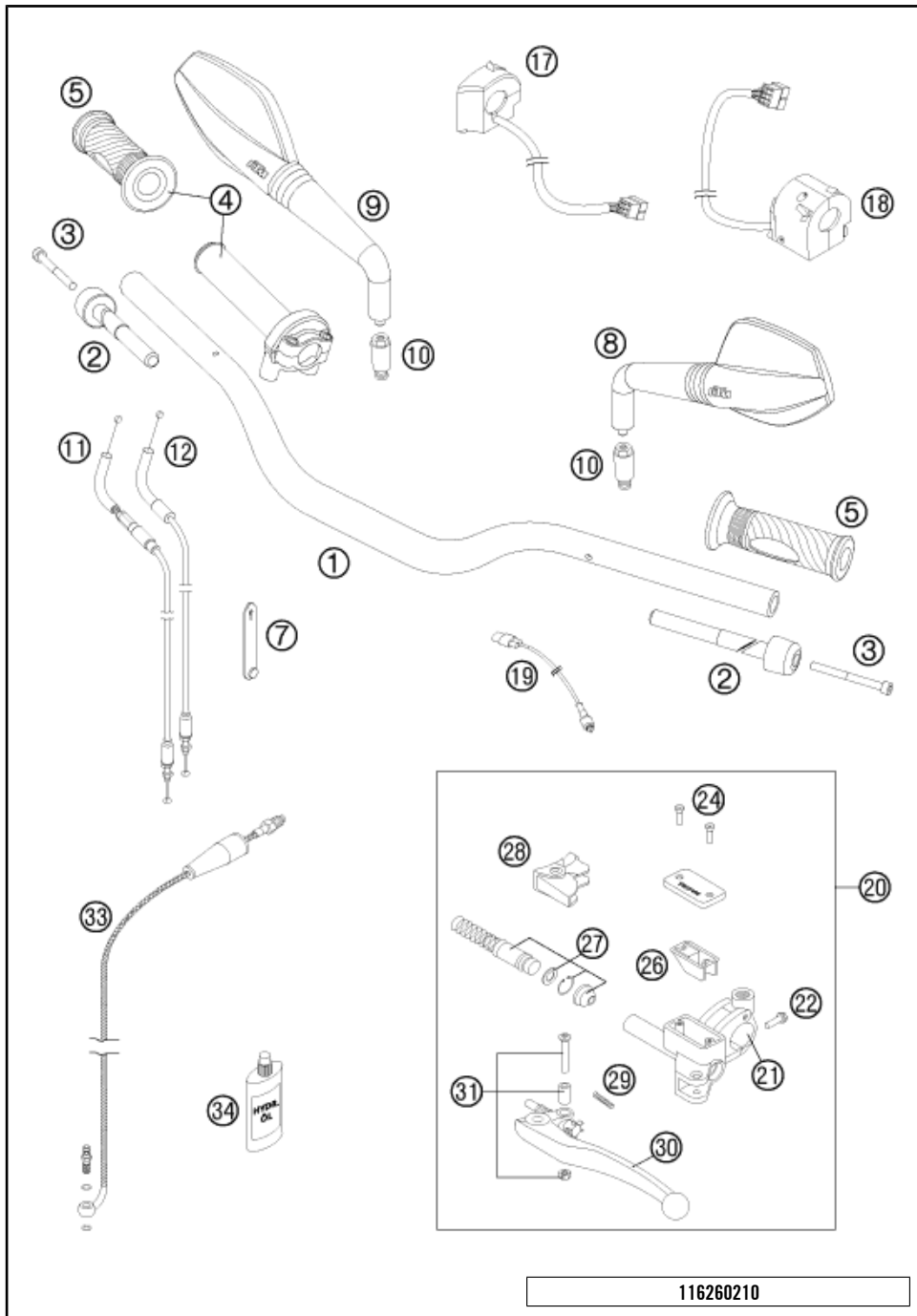
X ON DEMAND



| POS | PARTNUMBER | PARTNAME | PIECE |
|-----|------------|--------------------------------|-------|
| 1 | 48600685S3 | AXLE CLAMP R/S CPL. 07 | 1 |
| 2 | 48600686S3 | AXLE CLAMP L/S CPL. 07 | 1 |
| 3 | 91410076S | SPRING D43,7 L375 7,5N/MM SET | 1 |
| 6 | 48600053 | SPACER 42X26,5X1,5 | 2 |
| 6 | 48600036 | SPACER 42X26,5X2,5 | 2 |
| 6 | 48600037 | SPACER 42X26,5X5 | 2 |
| 7 | 48600431S | PRE-LOAD ADJ. CPL. M51X1,5 05 | 2 |
| 8 | 48600839S | CARTRIDGE CPL. 990 SM-R 2009 | 1 |
| 9 | 48600712 | OUTER TUBE L610 D54/D60 2L ROA | 2 |
| 10 | R14017 | REPAIR-KIT GASKET 09 | 1 |
| 11 | 48600765S1 | % FORK OIL SAE5 5L 2008 | 1 |
| 12 | T511 | SILICONE GREASE F. DUST STRI | 1 |
| 13 | 48600428 | % DU-BUSH D47XD49X20DDL02 | 2 |
| 14 | 48600429 | % DU-BUSH D48XD52X12DDL02 | 2 |
| 15 | 48600013 | SUPPORT RING 50 X 57,6 X 1,5 | 2 |
| 16 | 48600399 | OIL SEAL RING 48X57,8X9,5 | 2 |
| 17 | 48600070 | LOCK WASHER SB58 | 2 |
| 18 | 48600816 | DUST SEAL | 2 |

C116260130

* NEW PART X ON DEMAND



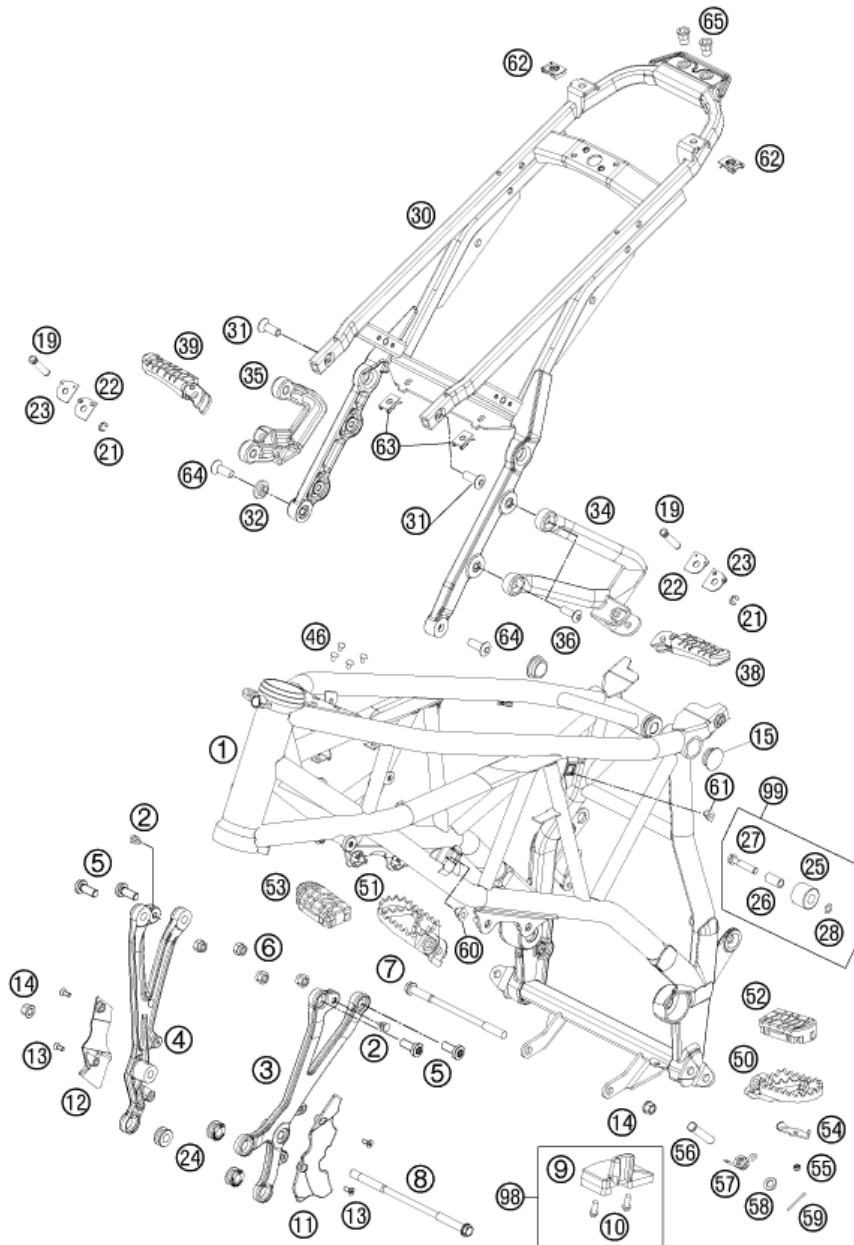
| POS | PARTNUMBER | PARTNAME | PIECE |
|-----|-------------|--------------------------------|-------|
| 1 | 62602001000 | HANDLEBAR 990 SM | 1 |
| 2 | 61002004000 | VIBRATIONS ABSORBER 05 | 2 |
| 3 | 0912060653 | AH SCREW DIN0912-M 6X65 | 2 |
| 4 | 61002010000 | THROTTLE GRIP 05 | 1 |
| 5 | 61002021000 | GRIPP SET | 1 |
| 7 | 60011093045 | RUBBER CABLE TIE 45MM 03 | x |
| 8 | 61112040000 | REVIEW MIRROR L/S 07 | 1 |
| 9 | 61112041000 | REVIEW MIRROR R/S 07 | 1 |
| 10 | 58412040050 | SUPPORT FOR MIRROR LC4 '98 | 2 |
| 11* | 62502091100 | THROTTLE CABLE OPEN | 1 |
| 12* | 62502092100 | TROTTLER CABLE CLOSE | 1 |
| 17 | 58411074100 | START-STOP SWITCH AD LC4 02 | 1 |
| 18 | 61011070000 | LIGHT SWITCH 05 | 1 |
| 19 | 58411049100 | CLUTCH SWITCH 03 | 1 |
| 20 | 60002130000 | MASTER CYLINDER MAGURA D=10.5 | 1 |
| 21 | 60002044000 | CLAMP MIRROR WITH CLAMP | 1 |
| 22 | 0025060206 | HH COLLAR SCREW M6X20 TX30 | 1 |
| 24 | 0965040123 | FLAT HEAD SCREW DIN0965-M 4X12 | 2 |
| 26 | 50302034000 | RUBBER FOR RESERVOIR '98 | 1 |
| 27 | 50302032000 | REP.SET PISTON MAGURA D=10.5 | 1 |
| 28 | 50302037000 | PROTECT.CAP FOR LEVER PERCH'98 | 1 |
| 29 | 59002035000 | SPRING FOR CLUTCH LEVER 03 | 1 |
| 30 | 60002031000 | CLUTCH LEVER LONG CPL. 2003 | 1 |
| 31 | 50302038000 | LEVER SCREW CPL. 125-200 '98 | 1 |
| 33 | 60032063100 | CLUTCH PIPE LC8 ADV '03 | 1 |
| 34 | 50302036200 | OIL FOR HYD. CLUTCH 100 ML | 1 |

116260210

C116260210

* NEW PART

X ON DEMAND



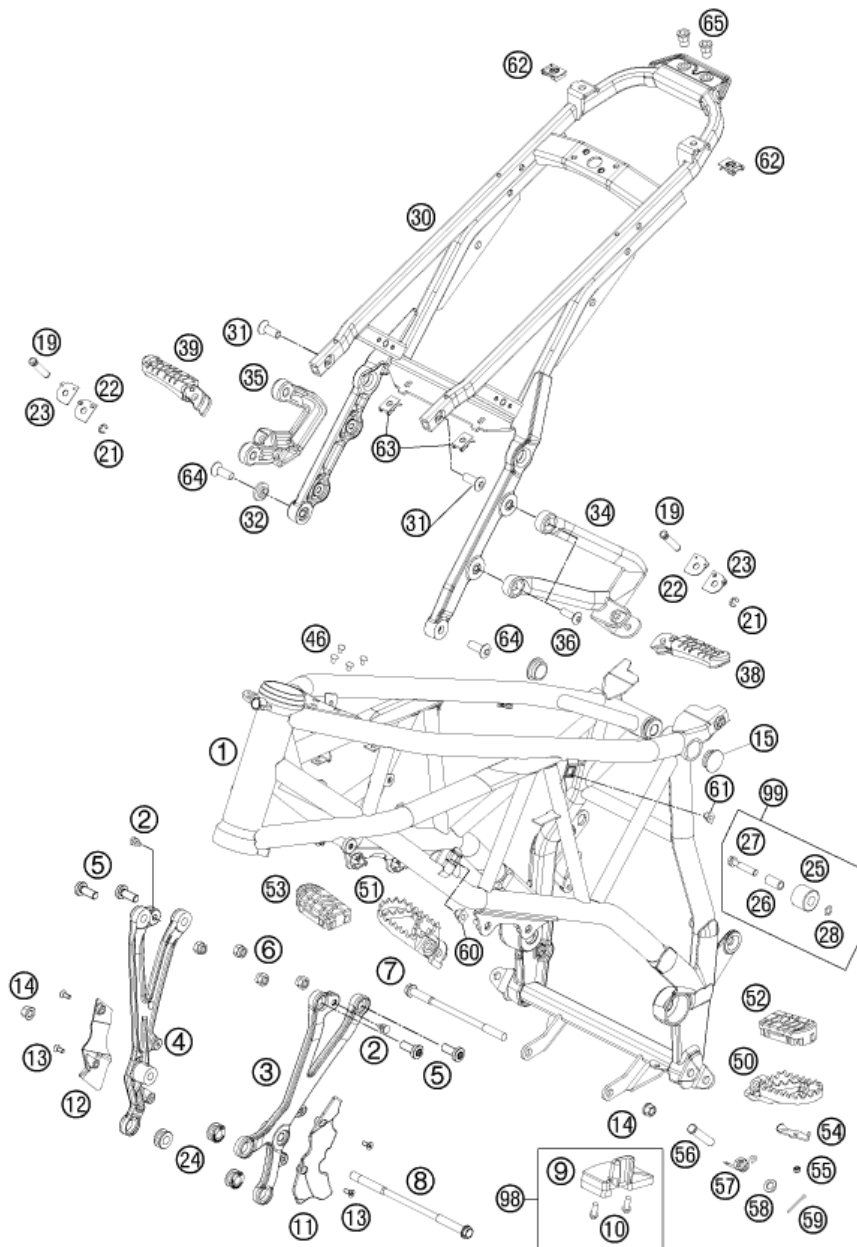
116260310

| POS | PARTNUMBER | PARTNAME | PIECE |
|-----|----------------|--------------------------------|-------|
| 1* | 6260300120004 | % FRAME "G26KA" ORANGE | 1 |
| 2 | 54403135000 | PLASTIC CAP SFL10 | 2 |
| 3 | 6250300500033S | ENGINE SUPPORT L/S 07 | 1 |
| 4 | 6250300600033S | ENGINE SUPPORT R/S 07 | 1 |
| 5 | 0035100249 | AH-COLLAR SCREW M10X24 ISA45 | 4 |
| 6 | 54310086100 | SELF LOCKING NUT M10 CU WS=14 | 4 |
| 7 | 60003013000 | ENGINE BRAC. SCREW M10X172 03 | 1 |
| 8 | 60003014000 | ENGINE BRAC. SCREW M10X206 03 | 1 |
| 9 | 60004076100 | CHAIN SLIDING BLOCK 05 | 1 |
| 10 | 0017060204 | %EJOT PT SCREW K60X20 ALU WS=6 | 2 |
| 11 | 62603005050 | COVER ENGINE SUPPORT LEFT | 1 |
| 12 | 62603006050 | COVER ENGINE | 1 |
| 13 | 0019050121 | COUNTERSUNK SCREW ISA25 M5X12 | 4 |
| 14 | 54630044000 | COLLAR NUT M10 WS=13 | 2 |
| 15 | 61003088000 | PLUG SFL28 05 | 2 |
| 19 | 60003044000 | BOLT FOR FOOTREST REAR 03 | 2 |
| 21 | 0799060003 | TAB WASHER DIN6799-RS 6,0 | 2 |
| 22 | 60003152000 | ENGAGE PANEL FOOTREST L/S 03 | 2 |
| 23 | 60003052000 | ENGAGE PANEL FOOTREST R/S 03 | 2 |
| 24 | 60003098000 | RUBBER SLEEVE 03 | 3 |
| 25 | 58403060000 | CHAIN ROLL 12X29X22,5 '98 | 1 |
| 26 | 58403060065 | BUSH CHAIN ROLL 8X12X23 '98 | 1 |
| 27 | 0025080406 | HH COLLAR SCREW M8X40 TX40 | 1 |
| 28 | 36003014000 | LOCK WASHER 8MM | 1 |
| 30* | 6260300220033 | SUB FRAME SM BLACK 2011 | 1 |
| 31 | 0019100289S | COUNTERSUNK SCREW ISA45 M10X28 | 2 |
| 32 | 60003001051 | COLLAR BUSHING 10X15X25X4 03 | 1 |
| 34 | 6250304800033S | FOOTREST BRACKET REAR L/S 07 | 1 |
| 35 | 6250304900033S | FOOTREST BRACKET REAR R/S 07 | 1 |
| 36 | 0019080266S | COUNTER-SUNK SCREW ISA45 M8X26 | 4 |
| 38 | 60003050000 | FOOTREST CPL. L/S REAR 03 | 1 |
| 39 | 60003051000 | FOOTREST CPL. R/S REAR 03 | 1 |
| 46 | 60103088000 | PLUG ZK 8/5 06 | 4 |
| 50 | 59003040250 | % FOOT PEG L/S SILVER 02 | 1 |
| 51 | 59003041250 | % FOOT PEG R/S SILVER 02 | 1 |
| 52 | 60003040010 | FOOTREST RUBBER FRONT L/S 03 | 1 |
| 53 | 60003041010 | FOOTREST RUBBER FRONT R/S 03 | 1 |
| 54 | 60003044010 | CLOSING PANEL FRONT L/S R/S 03 | 2 |

C116260310

* NEW PART

X ON DEMAND



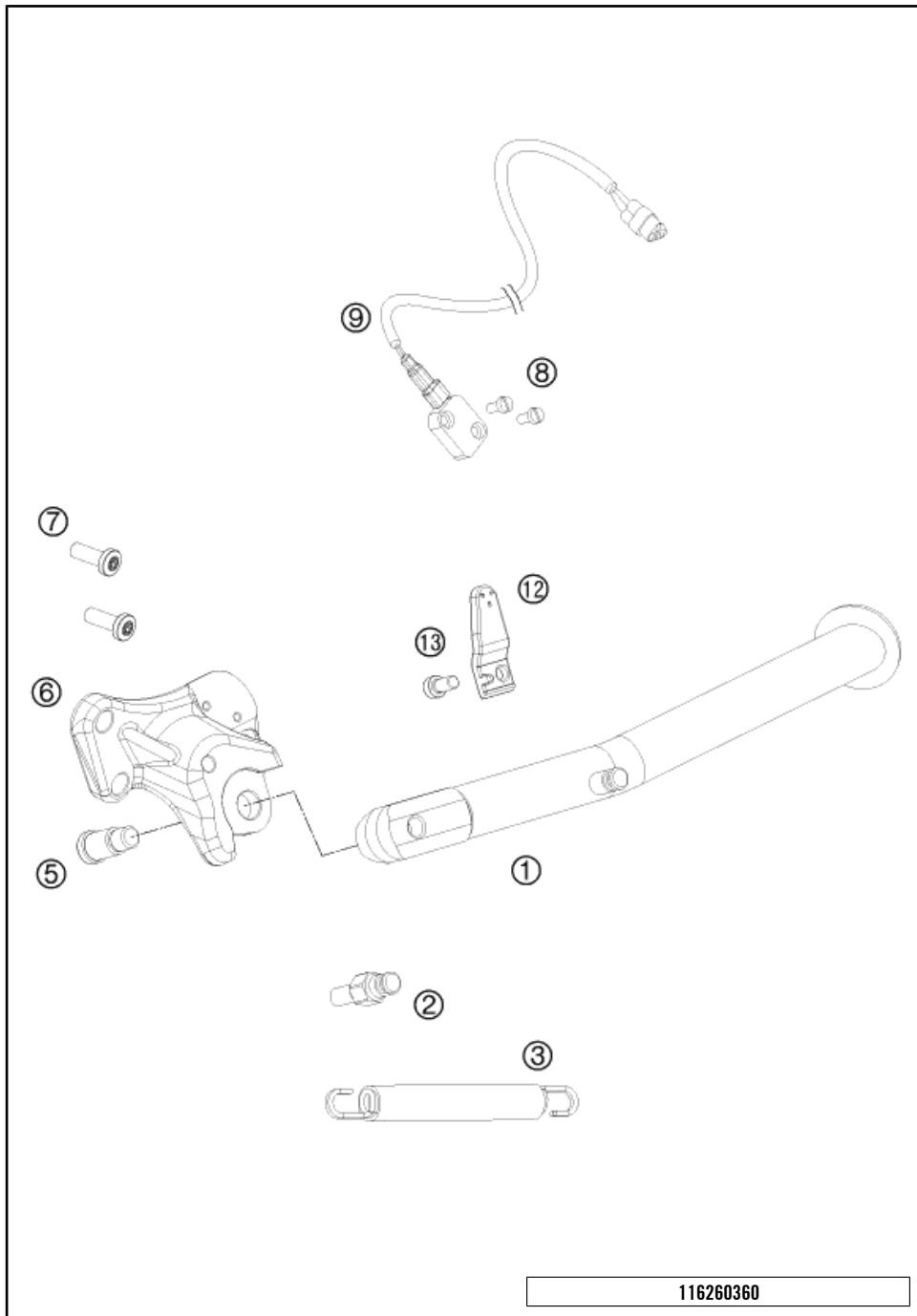
116260310

| POS | PARTNUMBER | PARTNAME | PIECE |
|-----|-------------|--------------------------------|-------|
| 55 | 0985050003 | SELF LOCKING NUT DIN0985-M 5 | 2 |
| 56 | 54803044000 | PIN FOR FOOT PED 51.5X9.8 MM | 2 |
| 57 | 54603041000 | FOOTREST SPRING L/S & R/S | 2 |
| 58 | 0125100003 | WASHER DIN0125-A10,5 | 2 |
| 59 | 0094032253 | PIN DIN0094-3,2X25 STEEL | 2 |
| 60 | 60003095100 | CAGE NUT M8 | 2 |
| 61 | 60011038000 | CAGE NUT M6 SL K100-1 1,5MM | 2 |
| 62 | 54603048000 | RANGE CHANGE METAL NUT M8 | 2 |
| 63 | 54603048100 | RANGE CHANGE METAL NUT M6 | 2 |
| 64 | 0019100239S | COUNTERSUNK SCREW ISA45 M10X23 | 2 |
| 65 | 61003002080 | BLIND RIVET NUT M8 HUC/ROF 5 0 | 2 |
| 98 | 60004076110 | CHAIN SLIDING KIT BELOW | x |
| 99 | 58403060010 | CHAIN ROLL KIT 06-13 | 1 |

C116260310

* NEW PART

X ON DEMAND

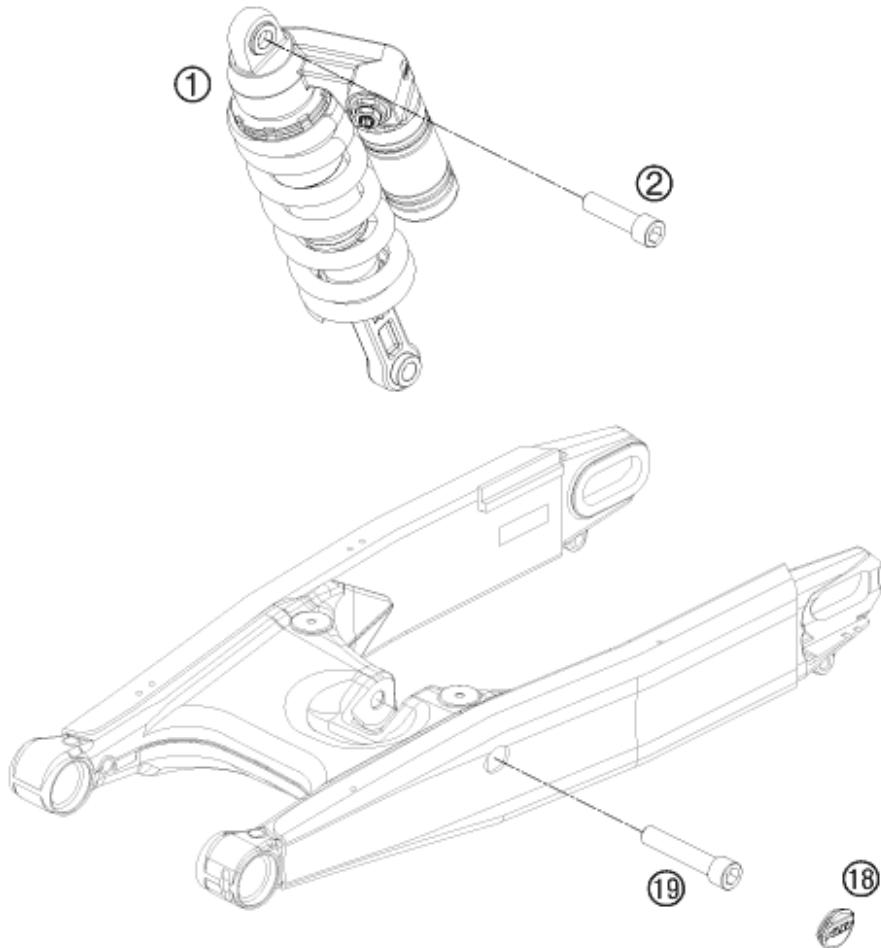


| POS | PARTNUMBER | PARTNAME | PIECE |
|-----|---------------|--------------------------------|-------|
| 1 | 6250302300033 | SIDE STAND L=236MM 07 | 1 |
| 2 | 76503028001 | SPECIAL SCR. SIDE STAND SPRING | 1 |
| 3 | 61003024000 | SPRING L=116 MM 05 | 1 |
| 5 | 62503027200 | SCREW FOR SIDE STAND M10X31,2 | 1 |
| 6 | 62603026000 | SIDE STAND BRACKET | 1 |
| 7 | 0035100309S | AH-COLLAR SCREW M10X30 ISA45 | 2 |
| 8 | 0084040103 | CYL.HEAD SCREW DIN84A M4x10 | 2 |
| 9 | 61011045000 | SIDE STAND SENSOR 05 | 1 |
| 12 | 60103029050 | MAGNET HOLDER ADV. 06 | 1 |
| 13 | 014580060126 | CYL. SCREW DIN14580 M 6X12 | 1 |

116260360

C116260360

* NEW PART X ON DEMAND



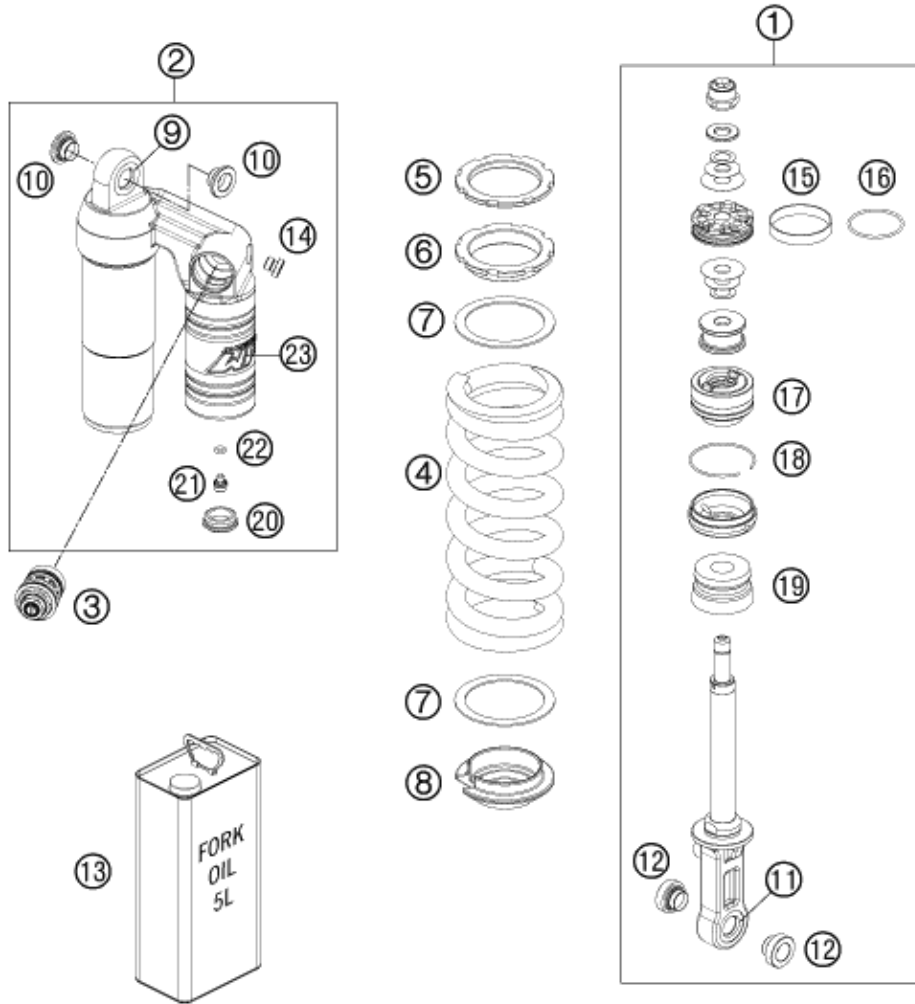
| POS | PARTNUMBER | PARTNAME | PIECE |
|-----|-------------|------------------------------|-------|
| 1 | 15187E03 | MONOSHOCK 990 SUPERMOTO-R 09 | 1 |
| 2 | 60004016000 | SCREW M14X1,5 L=55MM 03 | 1 |
| 18 | 60004041000 | PLUG SWINGARM 03 | 1 |
| 19 | 60004017000 | SCREW M14X1,5 L=73MM 03 | 1 |

116260410

C116260410

* NEW PART

X ON DEMAND



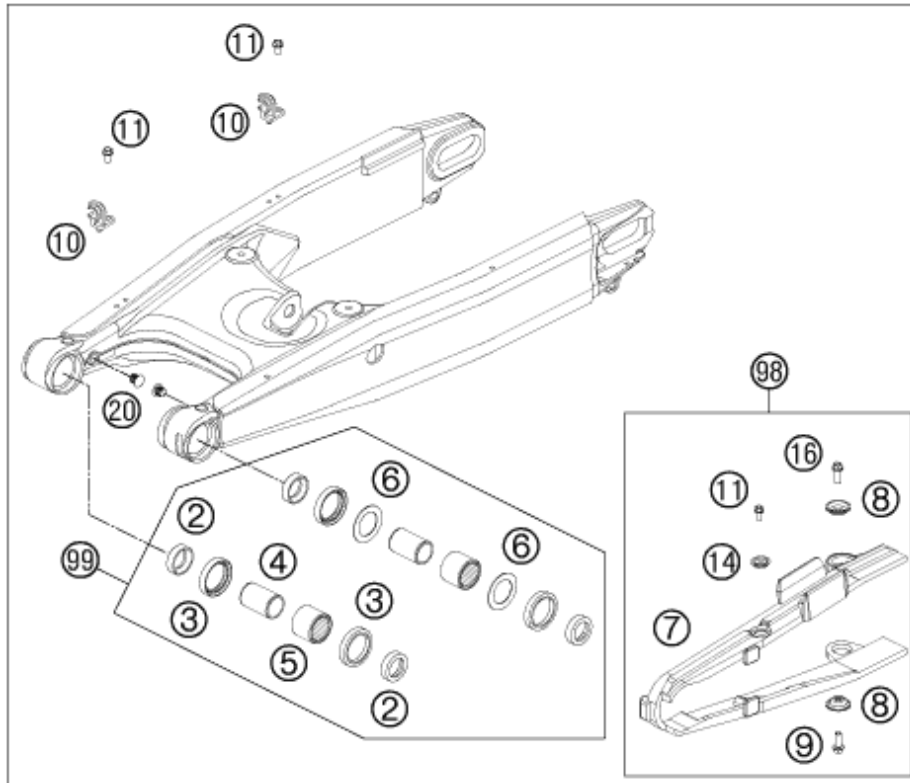
| POS | PARTNUMBER | PARTNAME | PIECE |
|-----|-------------|--------------------------------|-------|
| 1 | 46180654SA9 | SHOCK ABS. BOTTOM 990 SM-R 09 | 1 |
| 2 | 46180834SA | SHOCK ABSORBER CASE CPL. | 1 |
| 3 | 50180213S6 | DCC-COMPR.DAMP.CONTROL CPL. 04 | 1 |
| 4 | 91010301S | SPRING 140-200(59)D13,5 ORANGE | 1 |
| 5 | 46180766 | COUNTERNUT | 1 |
| 6 | 46180765 | ADJUSTING NUT M54X1,5 | 1 |
| 7 | 50180410 | INTERM.RING D=58 | 2 |
| 8 | 46180396 | SPRING RETAINER H=15 D=28 | 1 |
| 9 | R12012 | REP. KIT BEAR./SEAL UP. 07 | 1 |
| 10 | 50180366 | ADAPTOR BUSH KGW 14X24 | 2 |
| 11 | R15009 | % BEARING KIT KGW 1525 990DUKE | 1 |
| 12 | 46180362 | % ADAPTOR BUSH KGW 14X32 07 | 2 |
| 13* | 50180751S1 | SHOCK ABSORBER FLUID 5 LT | 1 |
| 14 | 50180095 | BLEED PLUG R 1/8 | 1 |
| 15 | 46810361 | PISTON RING | 1 |
| 16 | 46810035 | O-RING VITON 37,82X1,78 | 1 |
| 17 | 46180669S | ADAPTOR CPL. D=46 H=28 07 | 1 |
| 18 | 46810010 | CIRCLIP 49X1,5 | 1 |
| 19 | 46180365 | BUMP RUBBER WP60 H=30 D=18-26 | 1 |
| 20 | 46811208 | RUBBER CAP "DO NOT OPEN" | 1 |
| 21 | 36120151 | SCREW PLUG M5X6 | 1 |
| 22 | 46810893 | O-RING NBR 5,28X1,78 | 1 |
| 23* | 52000086 | STICKER WP TRANSPARENT 35X55 | 1 |

116260430

C116260430

* NEW PART

X ON DEMAND



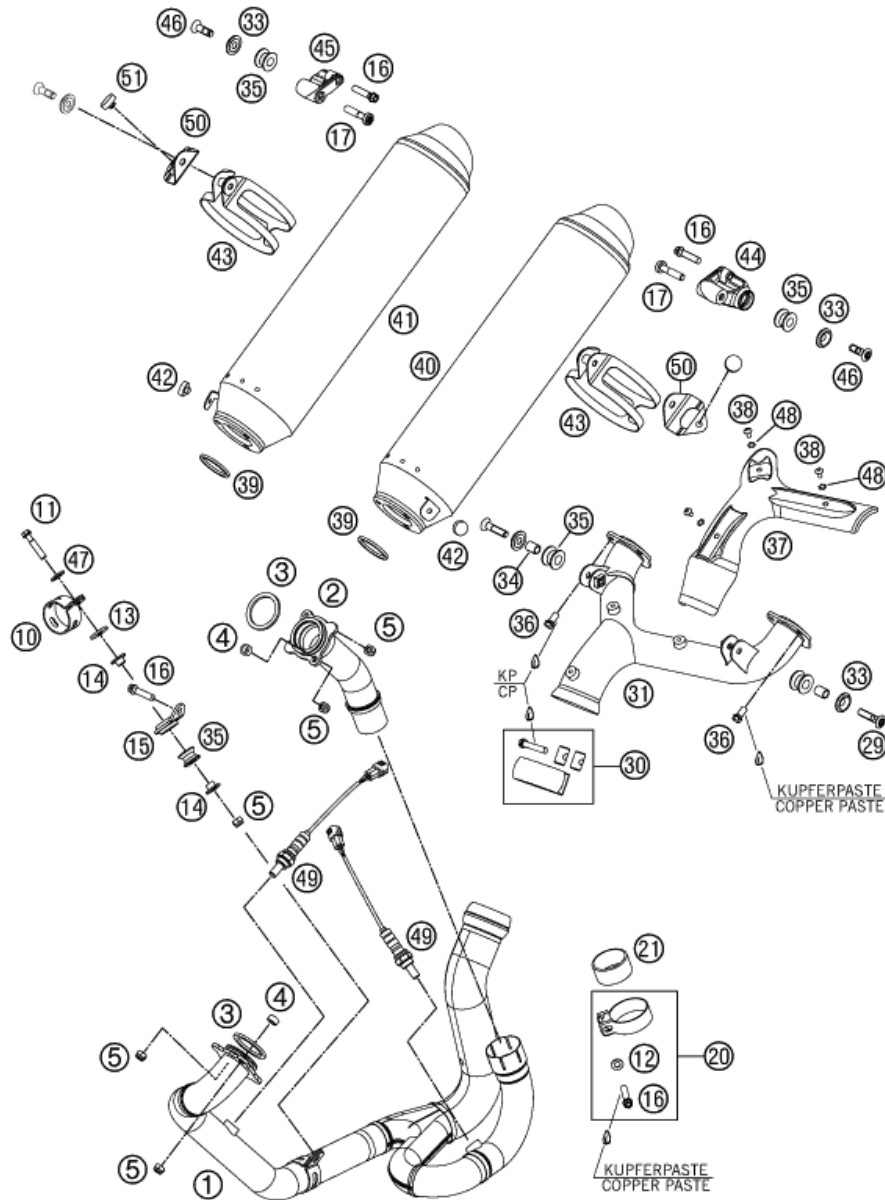
| POS | PARTNUMBER | PARTNAME | PIECE |
|-----|---------------|--------------------------------|-------|
| 1 | 6100403004433 | SWING ARM CPL. SM-R SD-R 07 | 1 |
| 2 | 60004034000 | BUCKET F. SHAFT SEAL RING 03 | 4 |
| 3 | 0760304073 | SHAFT SEAL RING 30X40X7 | 4 |
| 4 | 60004032000 | INNER RING JR20X25X38,5 03 | 2 |
| 5 | 60004031000 | NEEDLE BUSH HK2526B 03 | 2 |
| 6 | 60004033000 | STOP DISK 03 | 2 |
| 7 | 63004066100 | CHAIN SLID.GUARD SWINGARM 10 | 1 |
| 8 | 72210079000 | BUCKET | 2 |
| 9 | 59009062013 | SPECIAL SCREW M6X13 WS=8 10.9 | 1 |
| 10 | 5461107610030 | RET. CLAMP F. BRAKE HOSE BLACK | 2 |
| 11 | 0009050106 | EJOT SPIRAL SCREW SF M5X10-K | 4 |
| 12 | 61004060000 | CHAINGUARD 05 | 1 |
| 13 | 0081050181 | SCREW FOR PLASTIC K50X18 T20 | 1 |
| 14 | 46104066050 | BUSH FOR CHAINSLIDER GUARD 02 | 1 |
| 15 | 61004060050 | WASHER CHAINGUARD 05 | 1 |
| 16 | 59009062016 | SPECIAL SCREW M6X16 WS=8 10.9 | 1 |
| 20 | 60004042000 | PLUG SFL12 GREY 05 | 2 |
| 21 | 60004037244 | SWINGARM BOLT CPL. | 1 |
| 22 | 60004038000 | % COLLAR NUT M19X1,5 WS=27MM | 1 |
| 98 | 60004066110 | CHAIN GUARD KIT | x |
| 99 | 60004230010 | SWINGARM REP. KIT | 1 |

116260490

C116260490

* NEW PART

X ON DEMAND



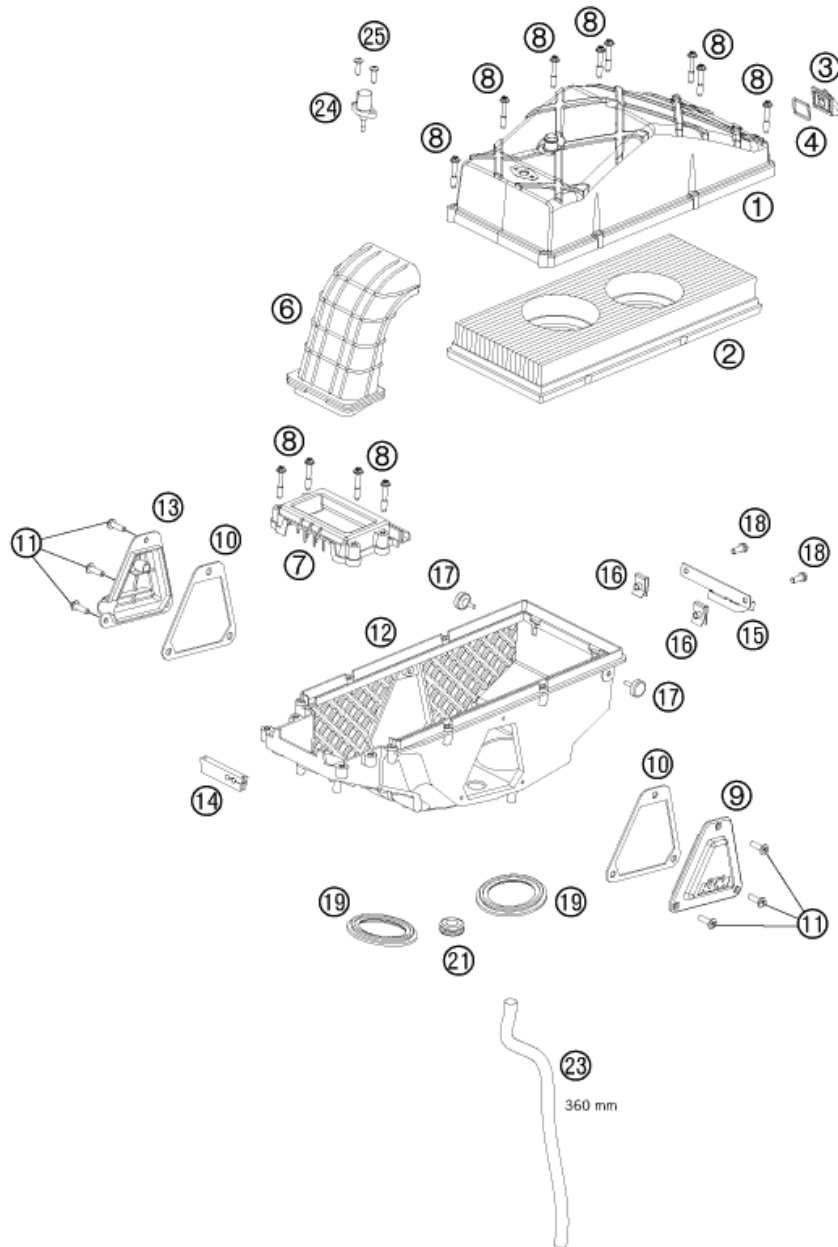
116260510

| POS | PARTNUMBER | PARTNAME | PIECE |
|-----|----------------|--------------------------------|-------|
| 1 | 62605007000 | EXHAUST MANIFOLD | 1 |
| 2 | 61105008000 | EXHAUST PIPE REAR 07 | 1 |
| 3 | 61005005000 | EXHAUST GASKET 05 | 2 |
| 4 | 61005009000 | SPACER BUSH. 8,5X15X7,5 05 | 2 |
| 5 | 51010086100 | SELF LOCKING NUT M 8 CU | 5 |
| 10 | 61005007049 | CLAMP EXHAUST PIPE 05 | 1 |
| 11 | 0025080406 | HH COLLAR SCREW M8X40 TX40 | 1 |
| 12 | 0125080003 | WASHER DIN0125-A 8,4 | 1 |
| 13 | 51005067000 | INSULATE WASHER 8,5X28X3 | 1 |
| 14 | 58405050065 | COLLAR BUSH 8,5X12X23,5X10 | 2 |
| 15 | 62505015150 | EXHAUST PIPE BRACKET FRONT 07 | 1 |
| 16 | 0025080356 | HH COLLAR SCREW M8X35 TX40 | 4 |
| 17* | 0035080356 | AH-COLLAR SCREW M8X35 ISA45 | 2 |
| 20 | 61105051000 | EXHAUST CLAMP 52,2MM 07 | 1 |
| 21 | 58405005001 | GRAPHITRING 45X50X25 | 1 |
| 29 | 0019080356 | COUNTERSUNK SCREW ISA45 M8X35 | 2 |
| 30 | 61005052000 | EXHAUST CLAMP CPL. 05 | 1 |
| 31 | 62505048100 | DISTRIBUTOR TUBE 05 | 1 |
| 33 | 62603061000 | SPECIAL WASHER 8X24 ALU H=4,2 | 4 |
| 34 | 62505069000 | SPACER BUSH. 8,5X12X18MM 05 | 2 |
| 35 | 54305068100 | DAMP. COMPONENT SILICONE GREY | 5 |
| 36 | 0025080166 | HH COLLAR SCREW M8X16 TX40 | 6 |
| 37 | 62505047000 | THERMAL SHIELD 05 | 1 |
| 38* | 78105081010 | SCREW TORX M5X10 | 3 |
| 39 | 60005005002 | EXHAUST GASKET 03 | 2 |
| 40 | 62605082000 | SILENCER L/S 08 | 1 |
| 41 | 62605083000 | SILENCER R/S 08 | 1 |
| 42 | 54308042000 | RUBBER BUFFER | 2 |
| 43 | 60005095000 | CLAMP FOR SILENCER CPL. 03 | 2 |
| 44 | 6000508500001S | SILENCER/HANDLE HOLDER L/S 07 | 1 |
| 45 | 6000508600001S | SILENCER/HANDLE HOLDER R/S 07 | 1 |
| 46 | 0019080306S | COUNTER-SUNK SCREW ISA45 M8X30 | 2 |
| 47 | 0021080003 | WASHER DIN9021-A 8,4 | 1 |
| 48 | 0797050000 | TOOTH LOCK WASHER DIN6797-J | 3 |
| 49 | 61041090000 | LAMBDA SENSOR 05 | 2 |
| 50 | 62605190060 | HEAT PROTECTION CLAMP | 2 |
| 51 | 54308042000 | RUBBER BUFFER | 2 |

C116260510

* NEW PART

X ON DEMAND



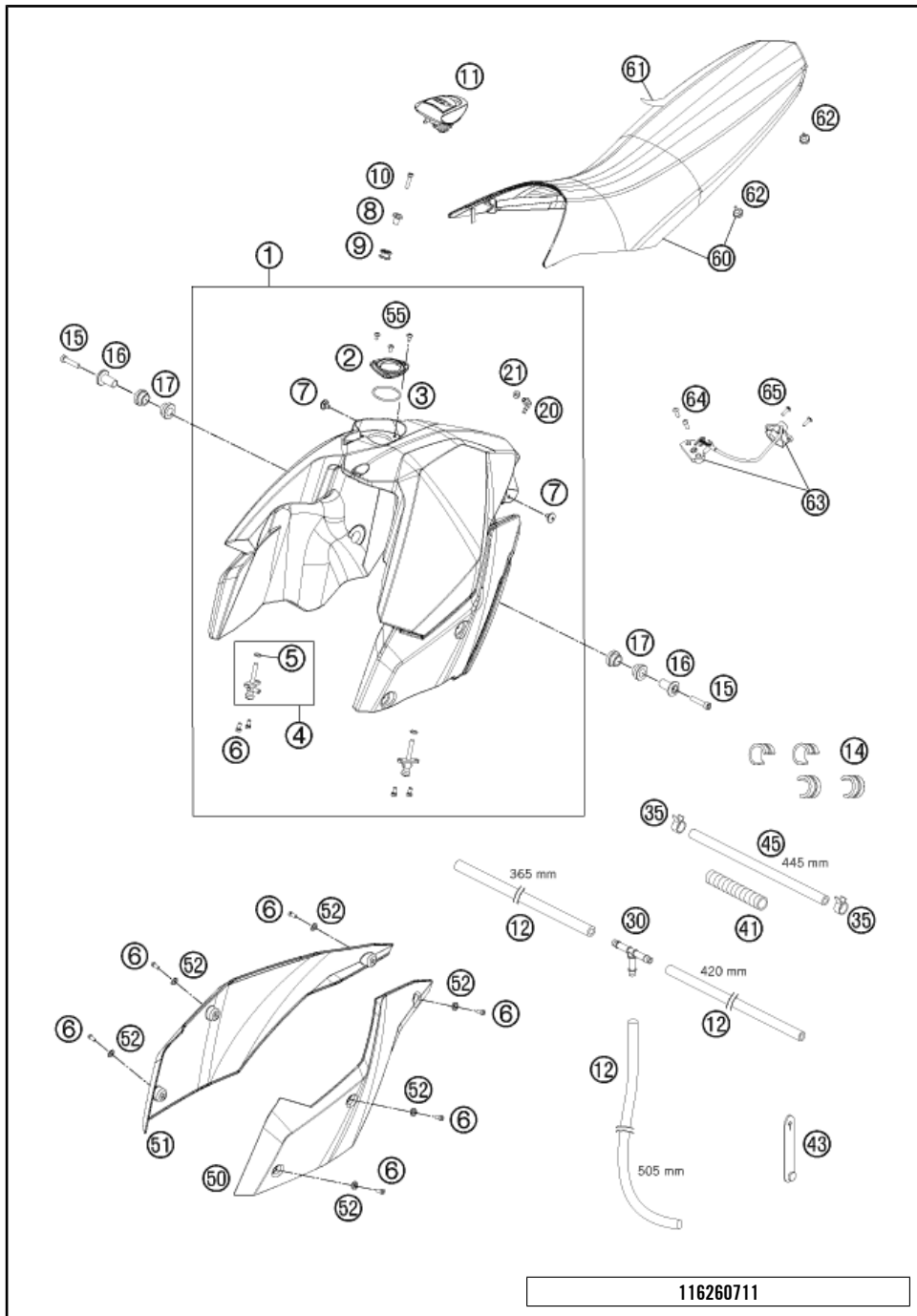
| POS | PARTNUMBER | PARTNAME | PIECE |
|-----|-------------|--------------------------------|-------|
| 1 | 61006002000 | AIRBOX COVER 990 DUKE 04 | 1 |
| 2 | 61006015000 | AIR FILTER EFI 05 | 1 |
| 3 | 60006007000 | CONNECTOR FOR SAS LC8 03 | 1 |
| 4 | 60006007050 | GASKET SAS CONNECTOR 03 | 1 |
| 6 | 60006040000 | INTAKE SNORKEL 03 | 1 |
| 7 | 60006004000 | AIRBOX FRONT PART LC8 03 | 1 |
| 8 | 60006006000 | SPECIAL SCREW K60X35/15 03 | 12 |
| 9 | 60006003002 | AIRBOX COVER L/S R/S 03 | 1 |
| 10 | 60006003050 | GASKET F. AIRBOX COVER L/S R/S | 2 |
| 11 | 0017060203 | % EJOT PT SCREW K60X20 WS=6 | 6 |
| 12 | 61006001000 | FILTER BOX LOWER PART 990 05 | 1 |
| 13 | 61006003002 | AIRBOX COVER R/S EFI 05 | 1 |
| 14 | 61006001030 | RUBBER SLEEVE F. THR. CABLE 05 | 1 |
| 15 | 61006001020 | SAS-BRACKET PANEL 05 | 1 |
| 16 | 54603048100 | RANGE CHANGE METAL NUT M6 | 2 |
| 17 | 60006001021 | DISTANCE RUBBER AIRBOX 03 | 3 |
| 18 | 0025060166 | HH COLLAR SCREW M6X16 TX30 | 2 |
| 19 | 60036045000 | RUBBER SLEEVE AIRBOX 03 | 2 |
| 21 | 60006001041 | RUBBER SLEEVE FUEL HOSE 03 | 1 |
| 23 | 57005020001 | HOSE 10X14 PER METER | 0 |
| 24 | 61041080000 | AMBIENT-AIR TEMPERATURE SENSOR | 1 |
| 25* | 0081050181 | SCREW FOR PLASTIC K50X18 T20 | 2 |

116260610

C116260610

* NEW PART

X ON DEMAND

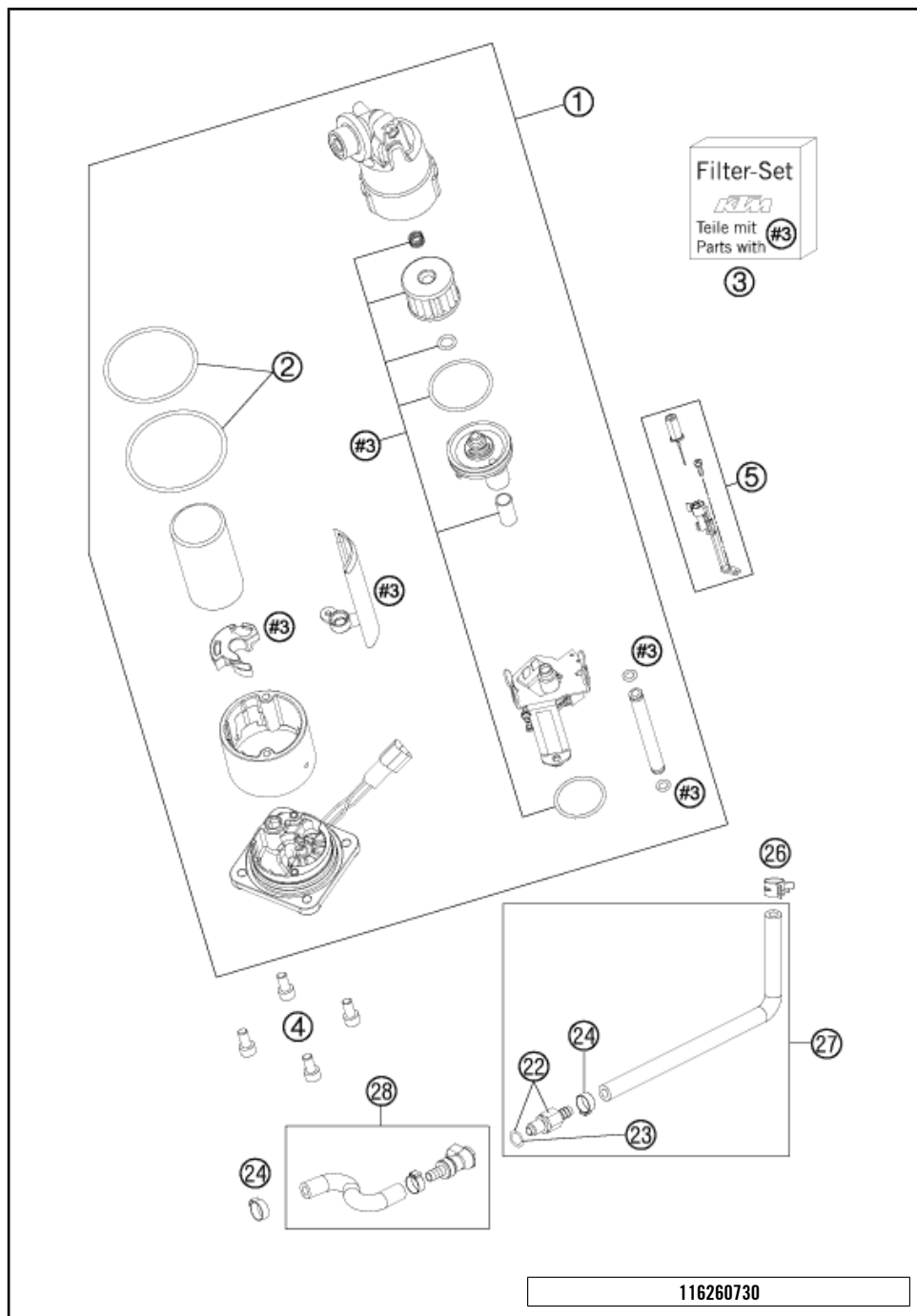


| POS | PARTNUMBER | PARTNAME | PIECE |
|-----|----------------|--------------------------------|-------|
| 1 | 6260711304420A | FUEL TANK CPL. WHITE | 1 |
| 2 | 76507008050 | % CLOSURE FLANGE | 1 |
| 3 | 0770050030 | O-RING 50,00X3,00 VITON | 1 |
| 4 | 58507003000 | % FUEL COCK CPL. SM. RALLYE'96 | 2 |
| 5 | 0770020130 | O-RING 1,78x10,82x14,38 2-013 | 2 |
| 6 | 014580060126 | CYL. SCREW DIN14580 M 6X12 | 10 |
| 7 | 58407011100 | SCREW FOR SEAT M6X11,5/8 | 2 |
| 8 | 62607060000 | BEARING SLEEVE F. TANK 09 | 1 |
| 9 | 69007027000 | RUBBER SLEEVE TANK MOUNT 08 | 1 |
| 10 | 014580060256 | CYL. SCREW DIN14580 M 6X25 | 1 |
| 11 | 58407008300 | TANK PLUG | 1 |
| 12 | 60007026001 | % HOSE NBR 5,4X9,4 PER METER | x |
| 14 | 61007014000 | SPACER FUEL TANK 05 | 4 |
| 15 | 0912080403 | AH SCREW DIN912 M8X40 | 2 |
| 16 | 61007060000 | BEARING BUSHING OUTSIDE 05 | 2 |
| 17 | 61007065000 | TANK RUBBER BUSHING FRONT 05 | 4 |
| 20 | 60007024000 | CONNECT.PIECE F.OVERFLOW M7 03 | 1 |
| 21 | 60007024050 | GASKET FOR CONNECTING PIECE 03 | 1 |
| 30 | 60015022000 | T-CONNECTOR TS-6 03 | 1 |
| 35* | 62607017000 | YDNAC CLAMP 12,5MM | 2 |
| 41 | 62507016050 | THERMAL PROTECTION L=105MM 05 | 1 |
| 43 | 60011093045 | RUBBER CABLE TIE 45MM 03 | x |
| 45 | 60007216445 | HOSE 6X13 L=445 MM 08 | 1 |
| 50 | 6260815000030A | SPOILER L/S BLACK BRILL. | 1 |
| 51 | 6260815100030A | SPOILER R/S BLACK BRILL. | 1 |
| 52 | 60008045000 | SPECIAL WASHER D=16,5MM 03 | 6 |
| 55* | 78105081010 | SCREW TORX M5X10 | 3 |
| 60 | 6260704000004 | SEAT BLACK/ORANGE | 1 |
| 61 | 6260704005004 | SEAT COVER BLACK/ORANGE | 1 |
| 62 | 60006001021 | DISTANCE RUBBER AIRBOX 03 | 4 |
| 63 | 62607050000 | SEAT LOCK | 1 |
| 64 | 0738060181 | COU.SUNK SCR. AH ISO7380 M6X18 | 2 |
| 65 | 0081050181 | SCREW FOR PLASTIC K50X18 T20 | 2 |

116260711

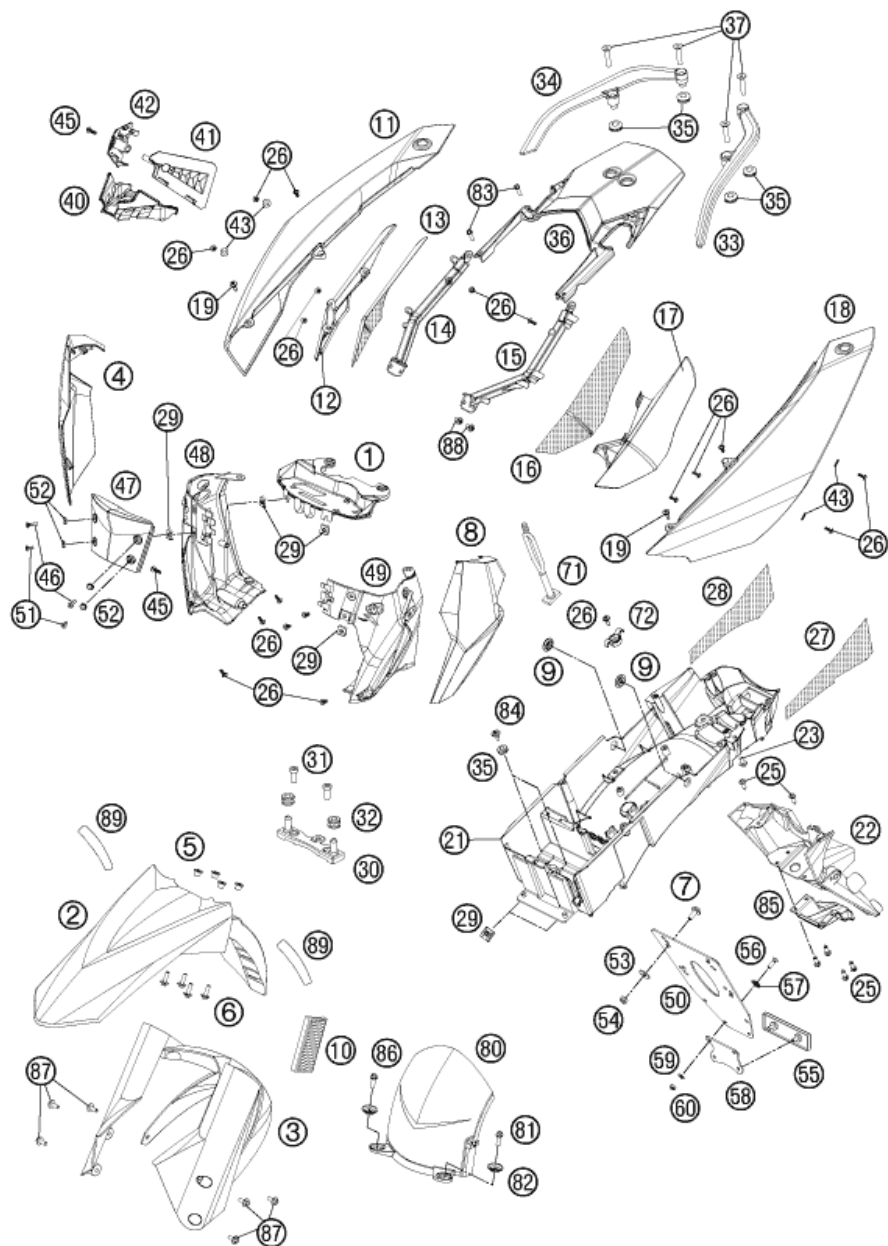
C116260711

* NEW PART X ON DEMAND



| POS | PARTNUMBER | PARTNAME | PIECE |
|-----|---------------|---|-------|
| 1 | 61007088200 | PUMP WITHOUT RESERVE INDICATOR REQUIRED: ITEM NUMBER 5 | 1 |
| 2 | 61007089000 | O-RING SET FOR FUEL PUMP 05 | 1 |
| 3 | 61007090000 | % FILTER-SET FUEL PUMP 05 | 1 |
| 4 | 014580060166 | CYL. SCREW DIN14580 M 6X16 | 4 |
| 5 | 62612045000 | CONV. KIT FUEL RESERVE INDICAT | 1 |
| 22 | 5850701030030 | PLUG CPC BLACK 05 | 1 |
| 23 | 58507012000 | O-RING VITON F. PLUG CPC 05 | 1 |
| 24* | 00050157706 | VARIABLE ONE-EAR CLAMP 15,7MM | 2 |
| 26 | 00049140121 | CLAMP STD DN14 | 1 |
| 27 | 61007116050 | FUEL HOSE 1 CPL. | 1 |
| 28 | 62607016044 | FUEL HOSE CPL. | 1 |

116260730 C116260730 * NEW PART X ON DEMAND



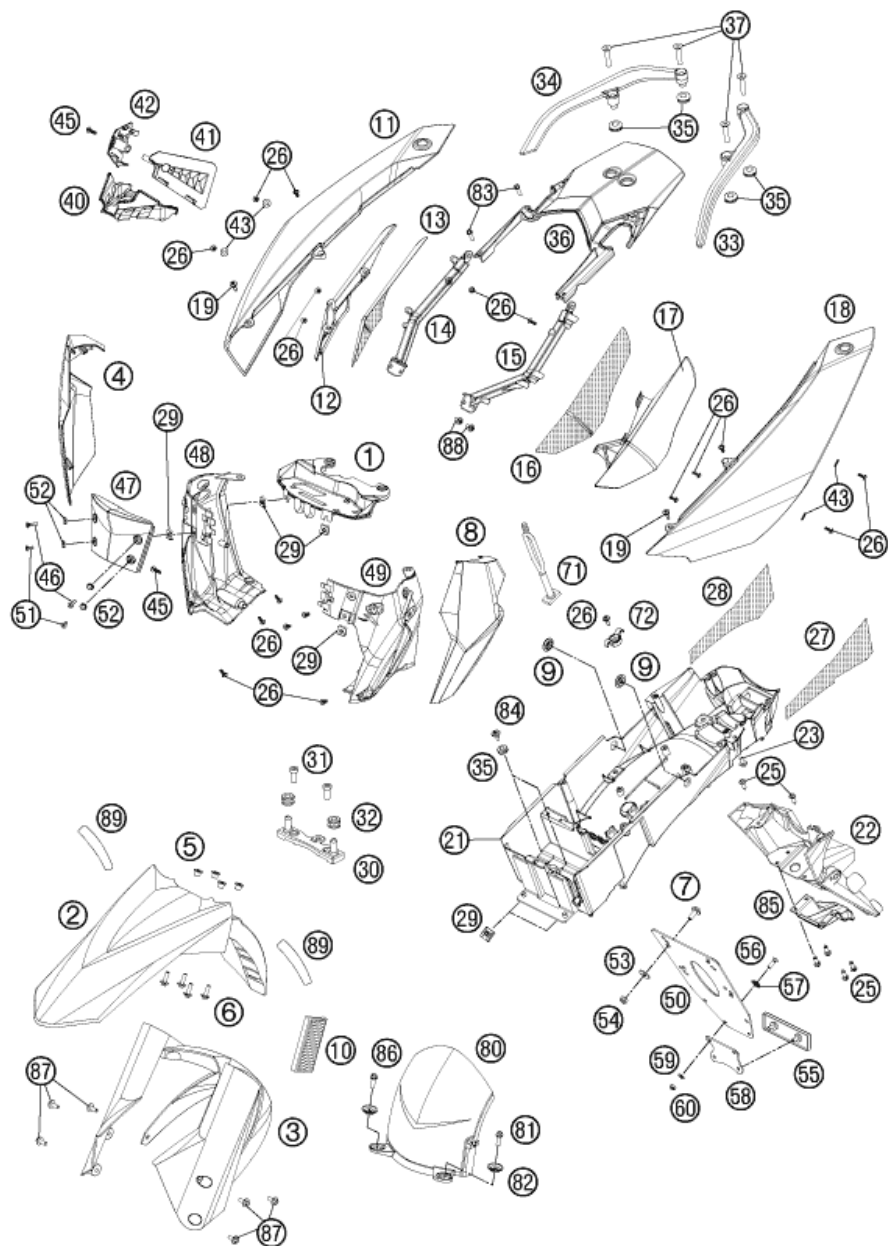
116260810

| POS | PARTNUMBER | PARTNAME | PIECE |
|-----|----------------|---|-------|
| 1 | 62608006033 | SPEEDOMETER SUPPORT 08 | 1 |
| 2 | 6250801000033B | FRONT FENDER BLACK MATT | 1 |
| 3 | 62501094000 | SPLASH PROTECT. 05 | 1 |
| 4 | 6260800200033A | MASK SPOILER R/S BLACK MATT | 1 |
| 5 | 62508009000 | COLLAR BUSHING 7,2X10X15X8,5 | 4 |
| 6 | 0024060206 | HH COLLAR SCREW M6X20 TX30 | 4 |
| 7 | 0024060156 | HH COLLAR SCREW M6X15 TX30 | 4 |
| 8 | 6260800300033A | MASK SPOILER L/S BLACK MATT | 1 |
| 9* | 76008015050 | BUSH NUM. PLATE SUPPORT | 2 |
| 10 | 60012080000 | SIDE REFLECTOR YELLOW 03 ONLY FOR AUS/UK | 2 |
| 11 | 6260804210020A | SIDE COVER R/S REAR | 1 |
| 12 | 62605191033 | HEAT PROTECTION R/S CPL. | 1 |
| 13 | 62508019460 | THERM. PROT. FOIL R/S USA 07 | 1 |
| 14 | 62608042150 | SUPPORT SIDECOVER RS REAR 09 | 1 |
| 15 | 62608041150 | SUPPORT SIDE COVER LS REAR 09 | 1 |
| 16 | 62605190050 | HEAT PROTECTION FOIL L/S | 1 |
| 17 | 62605190033 | HEAT PROTECTION L/S CPL. | 1 |
| 18 | 6260804110020A | SIDE COVER L/S REAR | 1 |
| 19 | 69008021060 | SPECIAL SCREW M5X17 | 2 |
| 21* | 62508019600 | REAR END LOWER PART | 1 |
| 22 | 62508015000 | NUMB.PLATE CARRIER 05 | 1 |
| 23 | 0024060136 | HH COLLAR SCREW M6X13 TX30 | 2 |
| 25 | 0017060203 | % EJOT PT SCREW K60X20 WS=6 | 6 |
| 26 | 0081050121 | SCREW FOR PLASTIC K50X12 T20 | 19 |
| 27 | 62508019250 | THERMAL PROTECTON FOIL L/S 07 | 1 |
| 28 | 62508019360 | THERMAL PROTECTON FOIL R/S 07 | 1 |
| 29 | 54603048200 | RANGE CHANGE METAL NUT M5 | 8 |
| 30 | 62514064000 | MASK SUPPORT BOTTOM 05 | 1 |
| 31 | 014580060166 | CYL. SCREW DIN14580 M 6X16 | 2 |
| 32 | 60039030000 | VIBRATION DAMPER DIGITALBOX 03 | 2 |
| 33 | 6301210800033S | GRIP L/S BLACK MATT | 1 |
| 34 | 6301210900033S | GRIP R/S BLACK MATT | 1 |
| 35 | 41001052000 | RUBBER SLEEVE D=12MM | 4 |
| 36* | 6260801310030 | REAR FENDER BLACK 08 | 1 |
| 37 | 0019080456 | COUNTERSUNK SCREW ISA45 M5X45 | 4 |
| 40 | 60003087000 | SPLASH PROTECTOR FRAME 05 | 1 |
| 41 | 62603085000 | COVER STEARING HEAD UP/L/S | 1 |

C116260810

* NEW PART

X ON DEMAND



116260810

| POS | PARTNUMBER | PARTNAME | PIECE |
|-----|-------------|--------------------------------|-------|
| 42 | 62603086000 | COVER STEERING HEAD UP.R/S | 1 |
| 43 | 75008023000 | WASHER REAR-UT D=14MM | 1 |
| 45 | 0081050181 | SCREW FOR PLASTIC K50X18 T20 | 2 |
| 46 | 0019050201 | COUNTERSUNK SCREW ISA25 M5X20 | 2 |
| 47 | 62608001000 | MASK FRONT PART 08 | 1 |
| 48 | 62608004000 | MASK REAR PART R/S 08 | 1 |
| 49 | 62608005000 | MASK REAR PART L/S 08 | 1 |
| 50 | 60012081200 | LICENCE FITTING 06 | 1 |
| 51 | 0019050121 | COUNTERSUNK SCREW ISA25 M5X12 | 2 |
| 52 | 60008046000 | SPECIAL WASHER D=12MM 03 | 4 |
| 53 | 0021060003 | WASHER DIN9021-A 6,4 | 4 |
| 54 | 0985060003 | SELF LOCK. NUT DIN0985-M 6 | 4 |
| 55 | 58412080000 | REFLECTOR RED | 1 |
| 56 | 0966050163 | OVAL HEAD SCREW DIN0966-M 5X16 | 2 |
| 57 | 40006006000 | WASHER 6MM | 2 |
| 58 | 58412080050 | BRACKET FOR REFLECTOR | 1 |
| 59 | 0125050003 | WASHER DIN0125-A 5,3 | 2 |
| 60 | 0985050003 | SELF LOCKING NUT DIN0985-M 5 | 2 |
| 71 | 50303018000 | RUBBER L=145MM | 1 |
| 72 | 62508021000 | SUPPORT TOOL SET 05 | 1 |
| 80 | 61008014000 | SPLASH PROTECT. 05 | 1 |
| 81 | 59009062016 | SPECIAL SCREW M6X16 WS=8 10.9 | 1 |
| 82 | 72210079000 | BUCKET | 2 |
| 83 | 0025060126 | HH COLLAR SCREW M6X12 TX30 | 4 |
| 84 | 60035001000 | SPECIAL SCREW M6X21 WS=8 | 2 |
| 85 | 62608015001 | COVER NUMB. PLATE CARRIER | 1 |
| 86 | 59009062013 | SPECIAL SCREW M6X13 WS=8 10.9 | 1 |
| 87 | 69014017000 | SPECIAL SCREW M6X18 ISA30 08 | 6 |
| 88 | 0024060136 | HH COLLAR SCREW M6X13 TX30 | 4 |
| 89 | 62508010030 | PROTECTIVE FOIL SET CARRIER | 1 |

C116260810

* NEW PART

X ON DEMAND

| POS | PARTNUMBER | PARTNAME | PIECE |
|-----|-------------|-----------------------|-------|
| 1 | 62608099200 | DECAL SET 990 SM-R 09 | 1 |

①

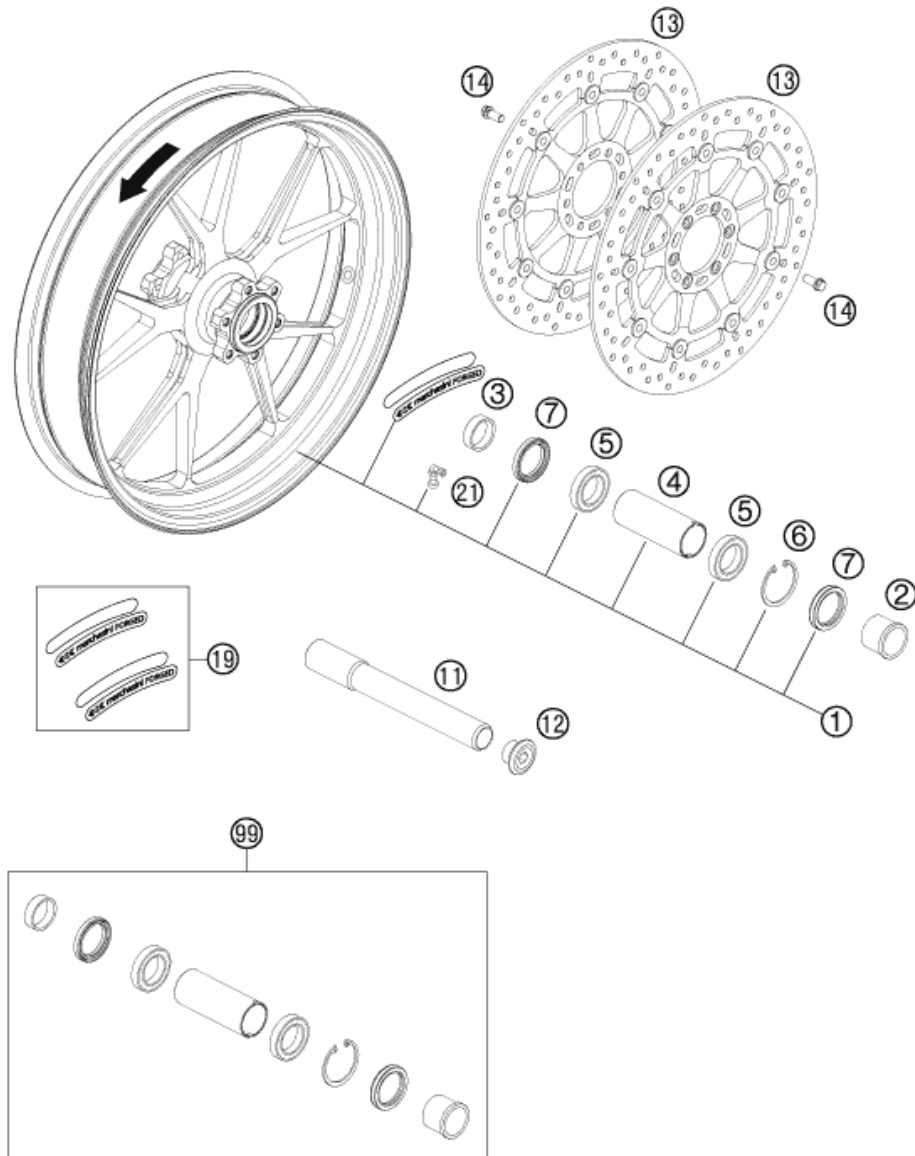


116260832

C116260832

* NEW PART

X ON DEMAND



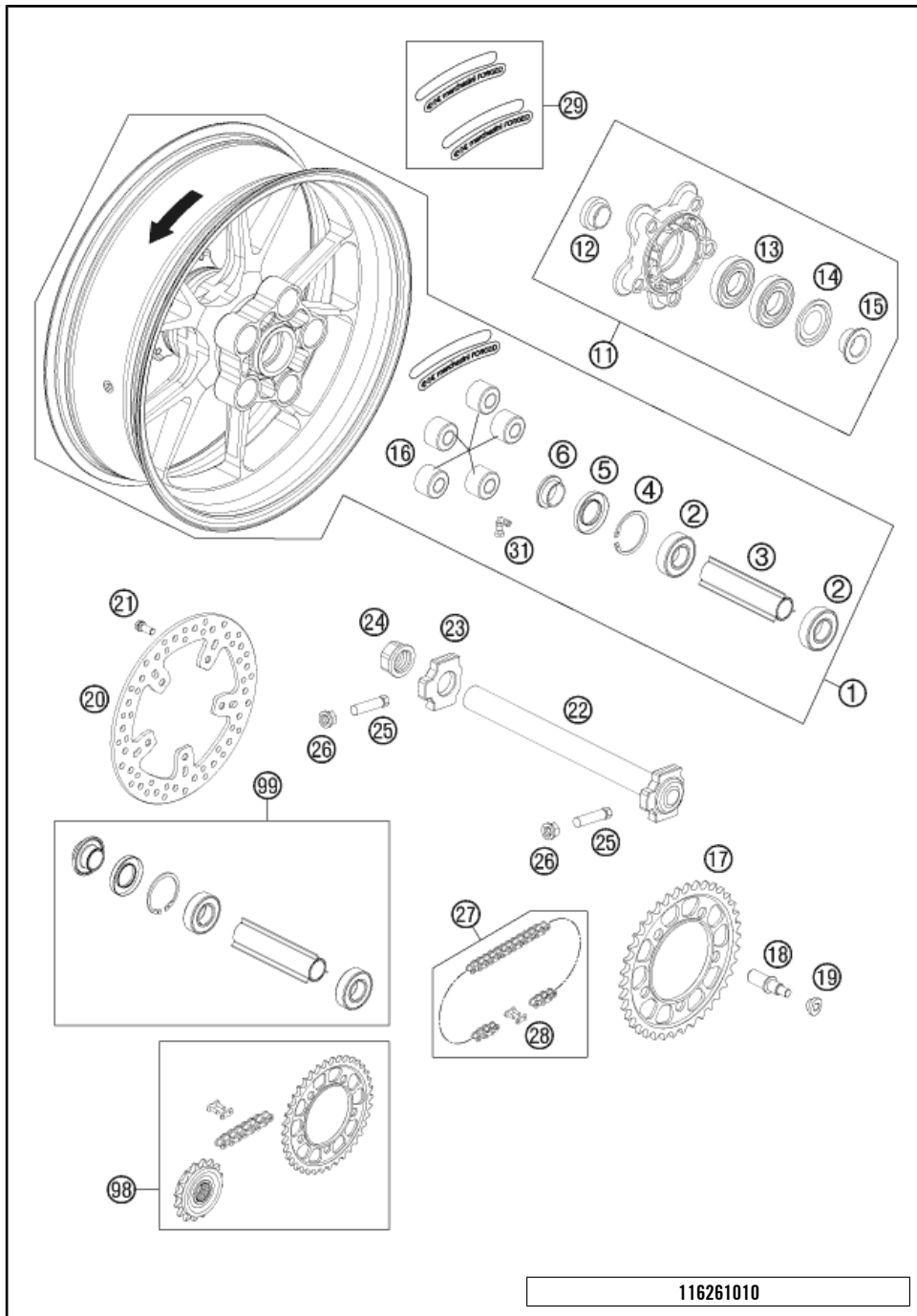
| POS | PARTNUMBER | PARTNAME | PIECE |
|-----|---------------|--------------------------------|-------|
| 1 | 6260900104430 | FRONT WHEEL CPL. 990 SM-R 09 | 1 |
| 2 | 61009012000 | SPACER BUSH. FR. WHEEL L/S 05 | 1 |
| 3 | 60009013000 | SPACER BUSH. FR. WHEEL R/S 03 | 1 |
| 4 | 62609011000 | BEARING SPACER TUBE FRONT | 1 |
| 5 | 0625069068 | GR.BALL BEAR.6906 DDU2CG23S6NM | 2 |
| 6 | 0472048175 | LOCK RING DIN0472-48X1,75 | 1 |
| 7 | 0760354771 | SHAFT SEAL RING 35X47X7 TC | 2 |
| 11 | 61009081000 | WHEEL SPINDEL FRONT 05 | 1 |
| 12 | 61009082000 | AH SCREW M25X1,5 WS=12 05 | 1 |
| 13 | 6250906000030 | BRAKE DISK D=305MM 07 | 2 |
| 14 | 61009062018 | SPECIAL SCREW M8X18 05 | 12 |
| 19 | 00050000121 | STICKER MARCH. 2L/S+2R/S YELL. | 1 |
| 21 | 61009076000 | VALVE ANGLED 90° 05 | 1 |
| 99 | 69109015000 | FRONT WHEEL REPAIR KIT 09-11 | 1 |

116260910

C116260910

* NEW PART

X ON DEMAND

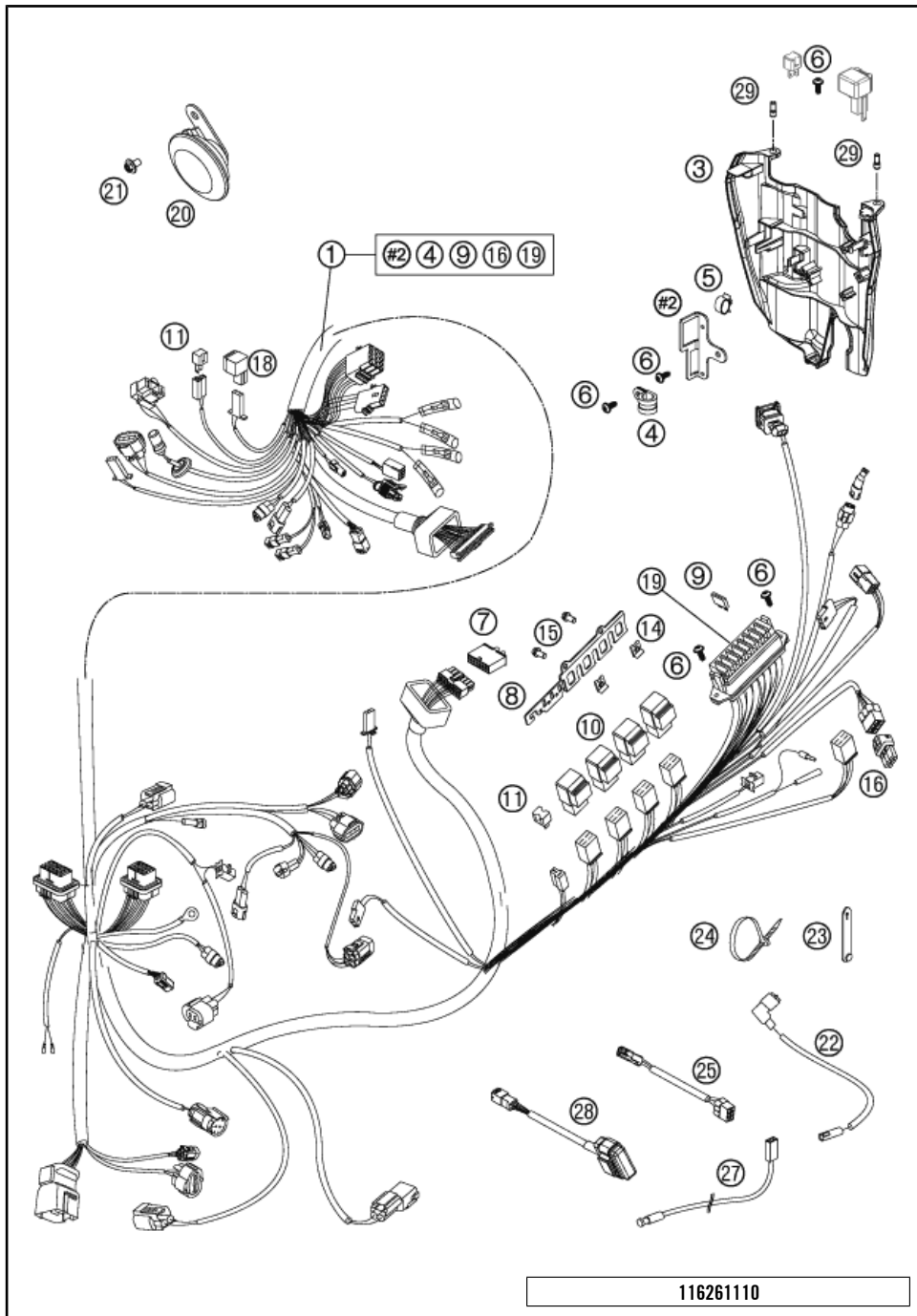


| POS | PARTNUMBER | PARTNAME | PIECE |
|-----|---------------|---|-------|
| 1 | 6261000104430 | REAR WHEEL CPL. 990 SM-R 09 | 1 |
| 2 | 0625062052 | GR.BALL BEAR. 6205-2RSHC3HMTF7 | 2 |
| 3 | 61010011000 | BEARING SPACER TUBE REAR 05 | 1 |
| 4 | 0472052200 | CIRCLIP DIN0472-52X2 | 1 |
| 5 | 0760305271 | SHAFT SEAL RING 30X52X7 | 1 |
| 6 | 60010013000 | SPACER BUSH. REAR WHEEL R/S 03 | 1 |
| 11 | 61010050144 | % SPROCKET SUPPORT CPL. 06 | 1 |
| 12 | 60110014000 | SPACER BUSH. SPR. SUPP. IN. 06 | 1 |
| 13 | 0625060060 | BALL BEARING 6006 DDU2CG23S6NM | 2 |
| 14 | 60110016000 | NILOS RING 6006AV | 1 |
| 15 | 60110012000 | SPACER BUSH. SPROCKET SUPP. 06 | 1 |
| 16 | 61010059000 | DAMPING RUBBER 05 | 5 |
| 17 | 61010051138 | REAR SPROCKET 38-T STEEL 05 | x |
| 17 | 61010051139 | REAR SPROCKET 39-T STEEL 05 | x |
| 17 | 61010051140 | REAR SPROCKET 40-T STEEL 05 | x |
| 17 | 61010051141 | REAR SPROCKET 41-T STEEL 05 | 1 |
| 17 | 61010051142 | REAR SPROCKET 42-T STEEL 05 | x |
| 18 | 61010056000 | BOLT FOR SPROCKET SUPPORT 05 | 5 |
| 19 | 61010057000 | NUT REAR SPROCKET 05 | 5 |
| 20 | 61010060000 | BRAKE DISK REAR D=240MM 05 | 1 |
| 21 | 61009062018 | SPECIAL SCREW M8X18 05 | 5 |
| 22* | 60010081144 | WHEEL SPINDLE REAR CPL. | 1 |
| 23 | 60010084000 | CHAIN TENSIONER R/S LC8 03 | 1 |
| 24 | 61010086000 | COLLAR NUT M25X1,5 WS=32 05 | 1 |
| 25 | 50304040100 | SCREW M10X1,25X50 WS=10 | 2 |
| 26 | 58414030000 | HH COLLAR NUT M10X1,25 WS=13 | 2 |
| 27 | 60010165118 | CHAIN 525 WITH MASTER LINK 03 CUT TO 112 CHAIN LINKS | 1 |
| 28 | 60010066000 | MASTER LINK FOR CHAIN 525 03 NEEDS RIVET TOOL | x |
| 29 | 00050000121 | STICKER MARCH. 2L/S+2R/S YELL. | 1 |
| 31 | 61009076000 | VALVE ANGLED 90° 05 | 1 |
| 98 | 00050002012 | DRIVETRAIN KIT SM/SMR 17T/41T | x |
| 99 | 61010015000 | REAR WHEEL REP. KIT | 1 |

116261010

C116261010

* NEW PART X ON DEMAND

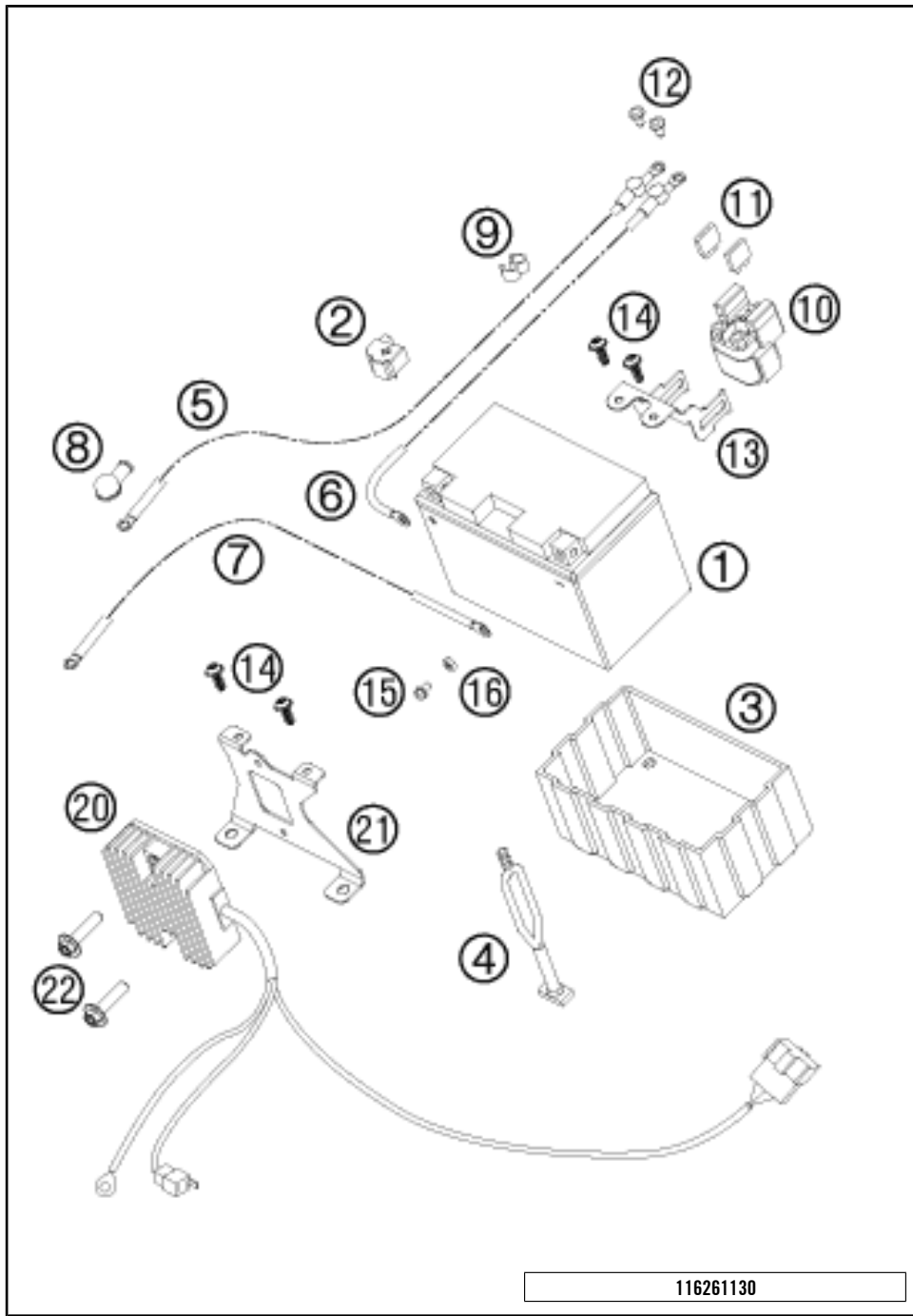


| POS | PARTNUMBER | PARTNAME | PIECE |
|-----|-------------|-------------------------------|-------|
| 1 | 62611075000 | MAIN WIRING HARNESS 990 SM 08 | 1 |
| 3 | 62608032000 | BRACKET FOR PLUGS CPL. 08 | 1 |
| 4 | 59007439000 | CLAMP RSGU 18/15 03 | 1 |
| 5 | 57013072100 | WIRING HOLDER 16MM | 1 |
| 6 | 0081050121 | SCREW FOR PLASTIC K50X12 T20 | 5 |
| 7 | 61011075020 | DUMMY PLUG ALARM SYSTEM 05 | 1 |
| 8 | 62511057050 | BRACKET RELAY 05 | 1 |
| 9 | 58011109110 | FUSE 10 A 2000 | x |
| 9 | 58011109115 | FUSE 15 A | x |
| 10 | 61111057000 | RELAY CM1A-R-12V-H80 07 | 4 |
| 11 | 58411096100 | DIODE S3H-15 97 | 2 |
| 14 | 54603048200 | RANGE CHANGE METAL NUT M5 | 2 |
| 15 | 0025050126 | HH COLLAR SCREW M5X12 TX30 | 2 |
| 16 | 000700000BH | SPARE CONNECTOR BH 6-PINS | 1 |
| 18 | 44611207200 | FLASHER UNIT 97 | 1 |
| 19 | 58511075510 | FUSE-BOX COVER | 1 |
| 20 | 62511060000 | DC HORN 05 | 1 |
| 21 | 0024060156 | HH COLLAR SCREW M6X15 TX30 | 1 |
| 22 | 60011092000 | OIL-PRESSURE SWITCH CABLE 03 | 1 |
| 23 | 60011093045 | RUBBER CABLE TIE 45MM 03 | x |
| 23 | 60011093075 | RUBBER CABLE TIE 75MM 03 | x |
| 24 | 44011076140 | CABLE TIE 140/2,5MM BLACK | x |
| 24 | 44011076200 | CABLE TIE 200/3,6MM BLACK | x |
| 25 | 62611047000 | CABLE FOR ROLLOVER SENSOR 08 | 1 |
| 27 | 61111018000 | % TEMPERATURE SENSOR 07 | 1 |
| 28 | 61111020000 | STARTER INTERLOCK | 1 |
| 29 | 62608032050 | STYLUSES FOR COVER | 2 |

116261110

C116261110

* NEW PART X ON DEMAND



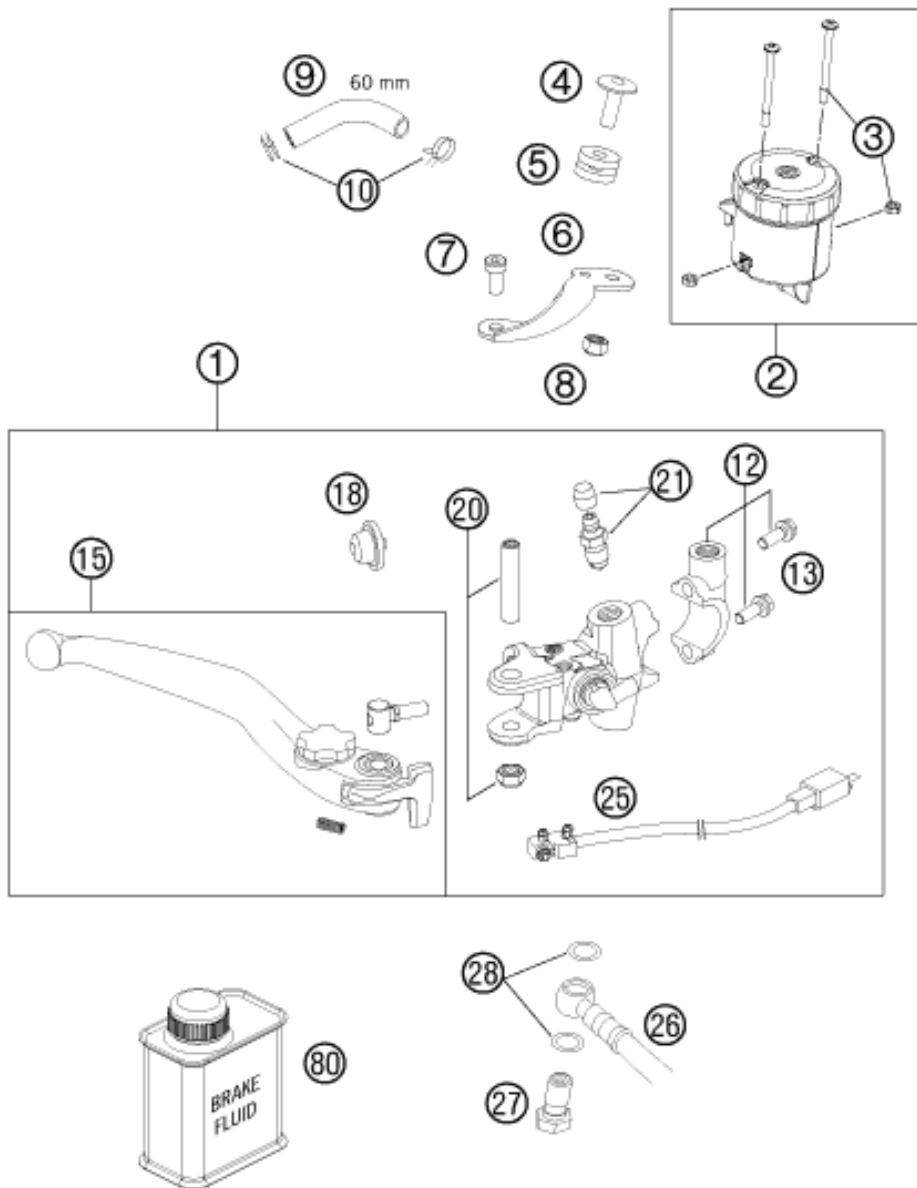
116261130

| POS | PARTNUMBER | PARTNAME | PIECE |
|-----|-------------|------------------------------|-------|
| 1 | 60011053000 | BATTERY 12V/11AH 03 | 1 |
| 2 | 62511059160 | COVER POSITIVE POLE 06 | 1 |
| 3 | 58411053050 | BATTERY COVER 96 | 1 |
| 4 | 50303018000 | RUBBER L=145MM | 1 |
| 5 | 62511059000 | % STARTER CABLE L=650MM 05 | 1 |
| 6 | 62511059050 | BATTERY CABLE L=125MM 05 | 1 |
| 7 | 62511097000 | GROUND CABLE L=650MM 05 | 1 |
| 8 | 60040009000 | RUBBER CAP STARTER PORT 03 | 1 |
| 9 | 55011022100 | CLAMP D=6/8MM, BLACK | 1 |
| 10 | 58211058000 | STARTER RELAY 12V '99 | 1 |
| 11 | 58011109130 | FUSE 30 A | x |
| 12 | 0902060083 | AH OVAL SCREW ISO 7380 M 6X8 | 2 |
| 13 | 62511058050 | BRACKET START RELAY 05 | 1 |
| 14 | 0081050121 | SCREW FOR PLASTIC K50X12 T20 | 4 |
| 15 | 0024060106 | HH COLLAR SCREW M6X10 TX30 | 2 |
| 16 | 0934060003 | HEXAGON NUT DIN0934-M 6 | 2 |
| 20 | 62511034100 | VOLTAGE REGULATOR | 1 |
| 21 | 62511037000 | BRACKET VOLTAGE REGULATOR 05 | 1 |
| 22 | 0024060256 | HH COLLAR SCREW M6X25 TX30 | 2 |

C116261130

* NEW PART

X ON DEMAND



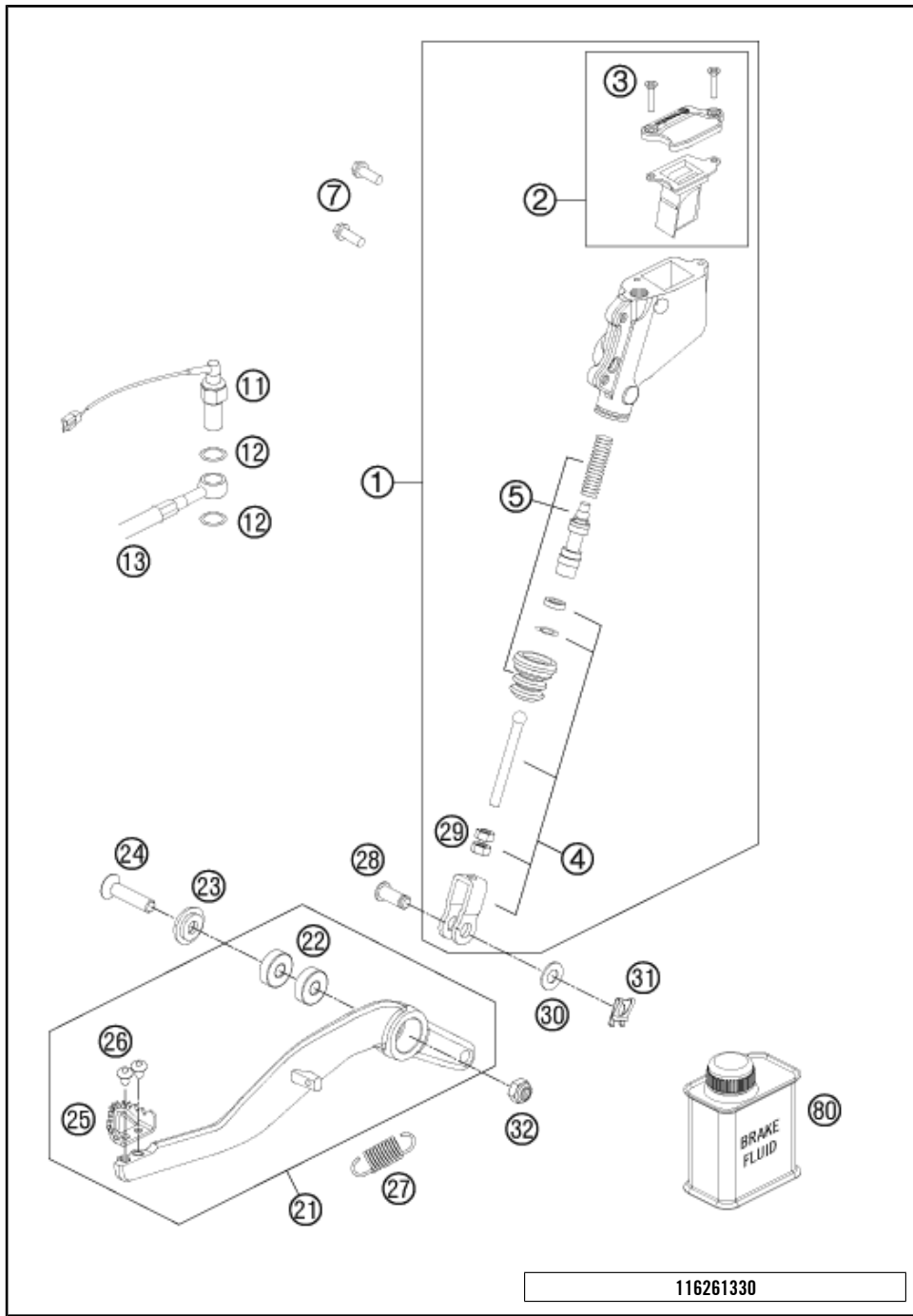
| POS | PARTNUMBER | PARTNAME | PIECE |
|-----|---------------|--------------------------------|-------|
| 1* | 62513001200 | HAND BREAK CYLINDER | 1 |
| 2* | 61013009102 | BRAKE FLUID RESERVOIR CPL. | 1 |
| 3* | 61013009103 | SCREW + NUT FOR RESERVOIR | 2 |
| 4 | 61013013050 | SCREW RET.PANEL-RESERVOIR | 1 |
| 5 | 61013013000 | RUBBER BUSH 05 | 1 |
| 6 | 61013009001 | RET.PANEL FLUID RES. FRONT 05 | 1 |
| 7 | 61013021000 | SCREW RET.PANEL-BRAKE CYLINDER | 1 |
| 8 | 61013009004 | NUT FOR RESERVOIR | 1 |
| 9 | 69013069001 | HOSE FOR RESERVOIR 6X1,5 | 1 |
| 10 | 58007017000 | YDNAC CLAMP 10101 (10,4MM) | 2 |
| 12 | 61013005000 | CLAMP CPL. 05 | 1 |
| 13 | 0025060256 | HH COLLAR SCREW M6X25 TX30 | 2 |
| 15 | 62513002144 | HAND BRAKE LEVER CPL. 07 | 1 |
| 18 | 61013008000 | RUBBER CUP 05 | 1 |
| 20 | 61013006000 | LEVER SCREW CPL. 05 | 1 |
| 21 | 60013020000 | BLEEDER SCREW WITH CAP | 1 |
| 25 | 61011050000 | BRAKE LIGHT SWITCH FRONT 05 | 1 |
| 26 | 6261301200030 | BRAKE HOSE FRONT CPL. 09 | 1 |
| 27 | 69013025000 | HOLLOW SCREW M10X1X19 SW12 | 1 |
| 28 | 0603100141 | COPPER GASKET DIN7603-10X14X1 | 2 |
| 80 | 00062030000 | BRAKE FLUID DOT5.1 0,25L | 1 |

116261310

C116261310

* NEW PART

X ON DEMAND



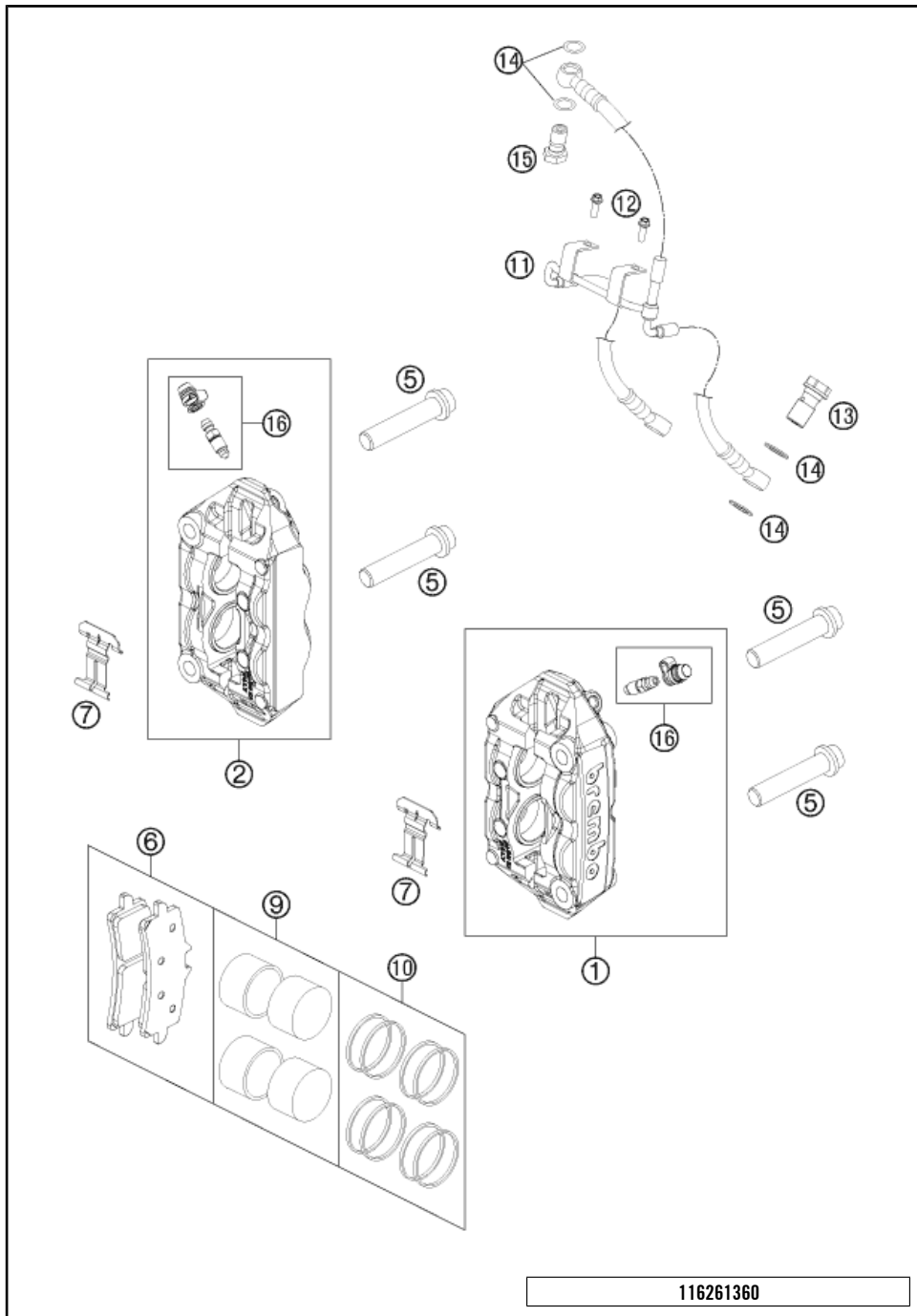
| POS | PARTNUMBER | PARTNAME | PIECE |
|-----|----------------|--------------------------------|-------|
| 1 | 60013060200 | MAIN BRAKE CYLINDER CPL. 07 | 1 |
| 2 | 60013059100 | COVER MAIN BRAKE CYLINDER. | 1 |
| 3 | 0965040161 | FLAT HEAD SCREW DIN0965-M 4X16 | 2 |
| 4 | 60013056044 | PUSH ROD CPL. '03 | 1 |
| 5 | 60013061000 | REPAIR KIT PISTON 03 | 1 |
| 7 | 59009062016 | SPECIAL SCREW M6X16 WS=8 10.9 | 2 |
| 11 | 50311051100 | BRAKE LIGHT SWITCH REAR '98 | 1 |
| 12 | 0603100141 | COPPER GASKET DIN7603-10X14X1 | 2 |
| 13 | 6251307200030 | BRAKE HOSE REAR 07 | 1 |
| 21 | 6251305004401S | FOOT BRAKE LEVER CPL. 07 | 1 |
| 22 | 0625006087 | GROOVED BALL BEAR. 608 2RS C3 | 2 |
| 23 | 62603062000 | SPECIAL WASHER 8X24 ALU H=2,6 | 1 |
| 24 | 0019080356 | COUNTERSUNK SCREW ISA45 M8X35 | 1 |
| 25 | 54813051100 | STEP PLATE FOR BRAKE LEVER | 1 |
| 26 | 58605083010 | % SCREW TORX M5X10 05 | 2 |
| 27 | 54603062000 | % RETURN SPRING FOR BRAKELEVER | 1 |
| 28 | 60013057000 | BOLT F. LINK FORK 8X20X16,5 | 1 |
| 29 | 0934060003 | HEXAGON NUT DIN0934-M 6 | 2 |
| 30 | 0125080003 | WASHER DIN0125-A 8,4 | 1 |
| 31 | 60013058000 | SECURING CLIP D=8MM 03 | 1 |
| 32 | 0985080003 | SELF LOCKING NUT DIN0985-M 8 | 1 |
| 80 | 00062030000 | BRAKE FLUID DOT5.1 0,25L | 1 |

116261330

C116261330

* NEW PART

X ON DEMAND

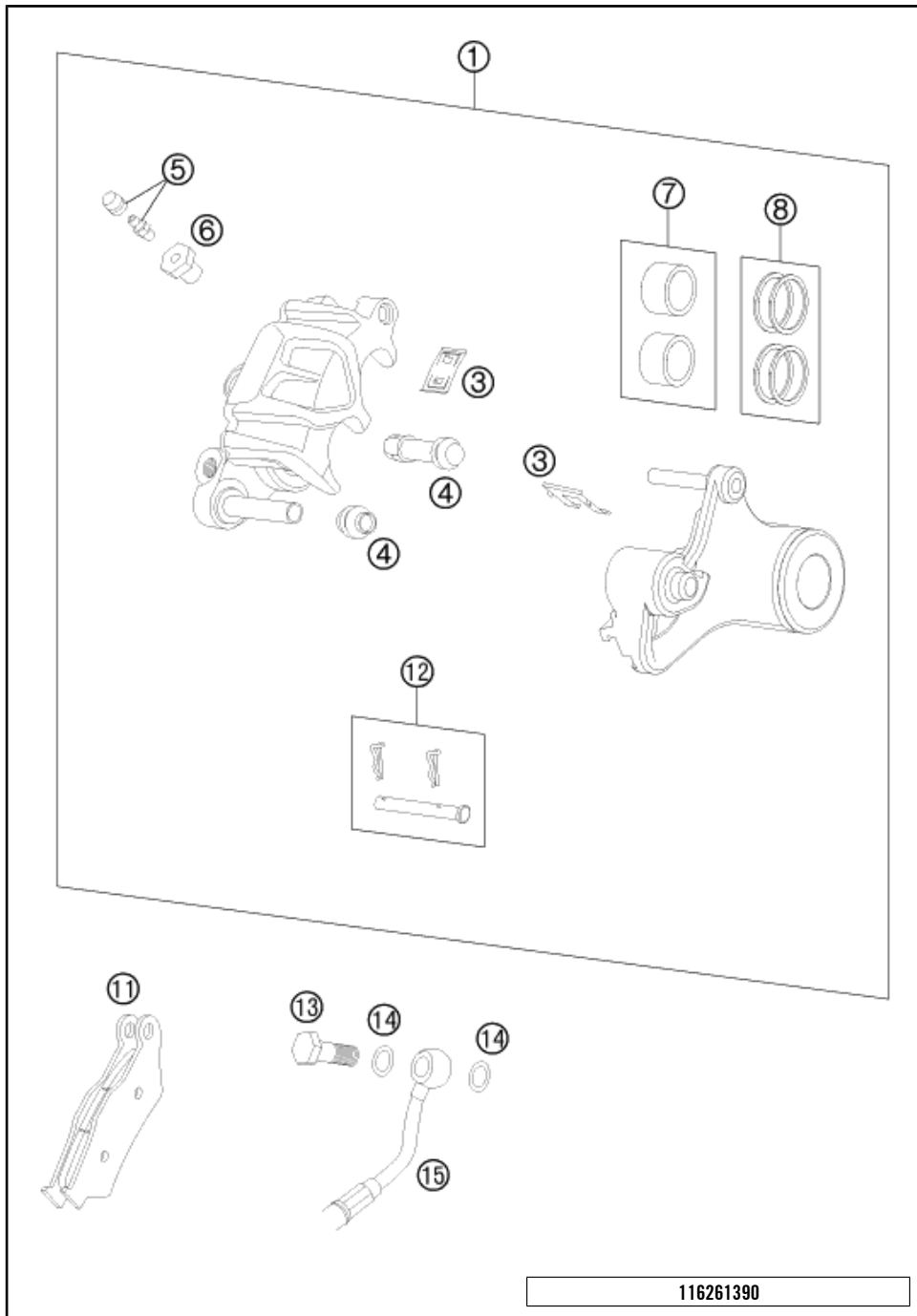


| POS | PARTNUMBER | PARTNAME | PIECE |
|-----|---------------|--------------------------------|-------|
| 1* | 69013015101BC | CALIPER L/S - WITHOUT PADS | 1 |
| 2* | 69013016101BC | CALIPER R/S - WITHOUT PADS | 1 |
| 5 | 0035100559 | % AH-COLLAR SCREW M10X1,25X55 | 4 |
| 6 | 69013030000 | BRAKE-PADS FRONT TOSH.TT2172HH | 1 |
| 7 | 69013018000 | SPRING PLATE | 2 |
| 9 | 61013019000 | BRAKE PISTONS 4X | 2 |
| 10 | 69013019100 | REPAIR KIT SEALING RINGS 4X | 2 |
| 11 | 6261301200030 | BRAKE HOSE FRONT CPL. 09 | 1 |
| 12 | 0025060106 | HH COLLAR SCREW M6X10 TX30 | 2 |
| 13 | 54813020100 | HOLLOW SCREW BLACK M10X1X19 | 2 |
| 14 | 0603100141 | COPPER GASKET DIN7603-10X14X1 | 6 |
| 15 | 69013025000 | HOLLOW SCREW M10X1X19 SW12 | 1 |
| 16 | 61013020100 | BLEEDER SCREW WITH CAP | 2 |

116261360

C116261360

* NEW PART X ON DEMAND



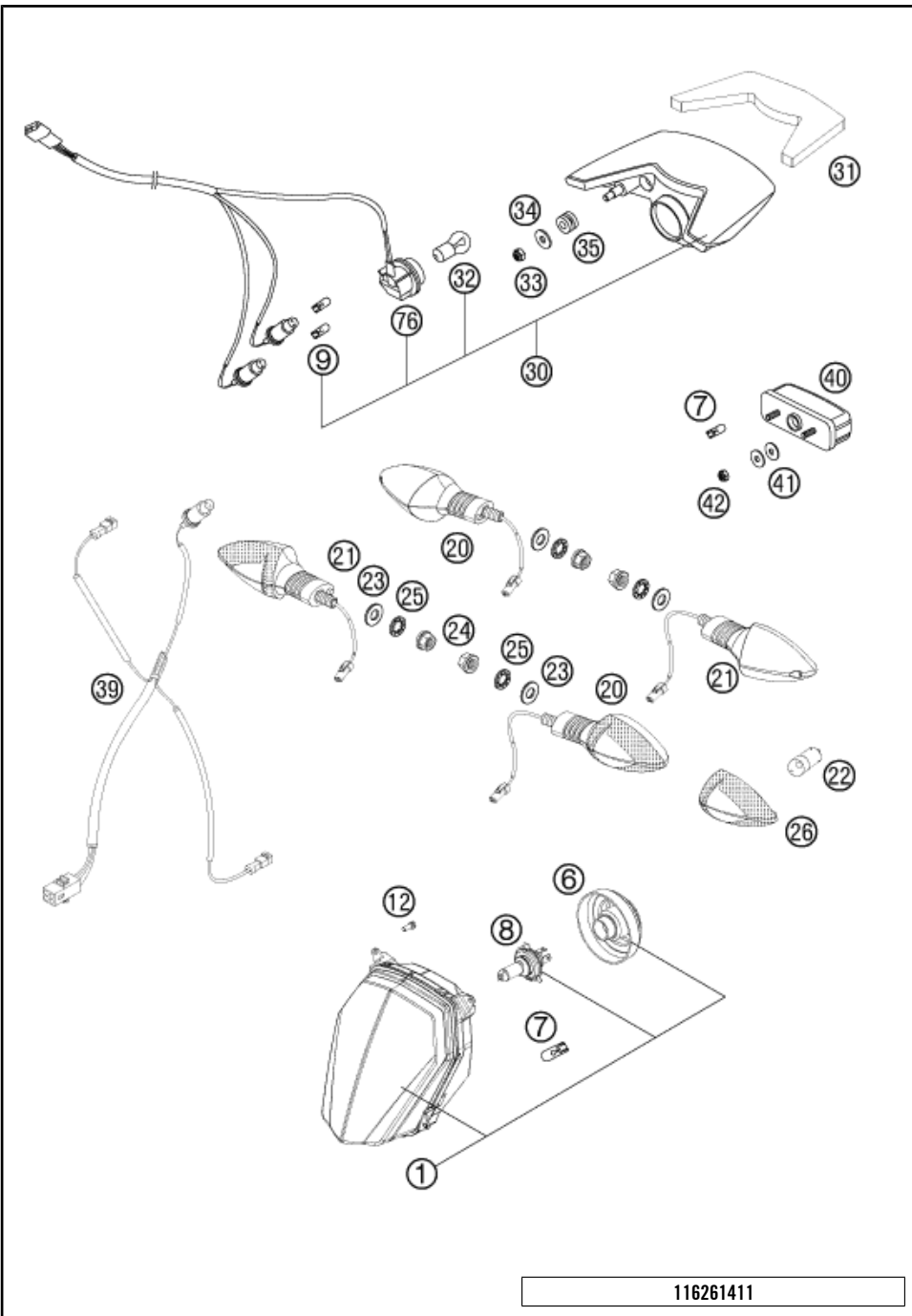
| POS | PARTNUMBER | PARTNAME | PIECE |
|-----|---------------|--------------------------------|-------|
| 1 | 6001308000130 | CALIPER REAR WITHOUT PADS | 1 |
| 3 | 60013018100 | RETAINING PLATE SET REAR 03 | 1 |
| 4 | 54613218000 | CUP SET SHORT | 1 |
| 5 | 60013020200 | BLEEDER SCREW WITH CAP M6 | 1 |
| 6 | 60013020100 | ADAPTER SCREW | 1 |
| 7 | 60013083200 | BRAKE PISTONS 05 | 1 |
| 8 | 60013081000 | REP.KIT SEALING RINGS | 1 |
| 11 | 50313030200 | BRAKEP.SET FR.TOSHIBA TT2701HH | 1 |
| 11 | 59013930000 | % BRAKE PAD SET FRONT ORGANIC | x |
| 12 | 77013017000 | BOLT CPL. 09 | 1 |
| 13 | 54813020100 | HOLLOW SCREW BLACK M10X1X19 | 1 |
| 14 | 0603100141 | COPPER GASKET DIN7603-10X14X1 | 2 |
| 15 | 6251307200030 | BRAKE HOSE REAR 07 | 1 |

116261390

C116261390

* NEW PART

X ON DEMAND

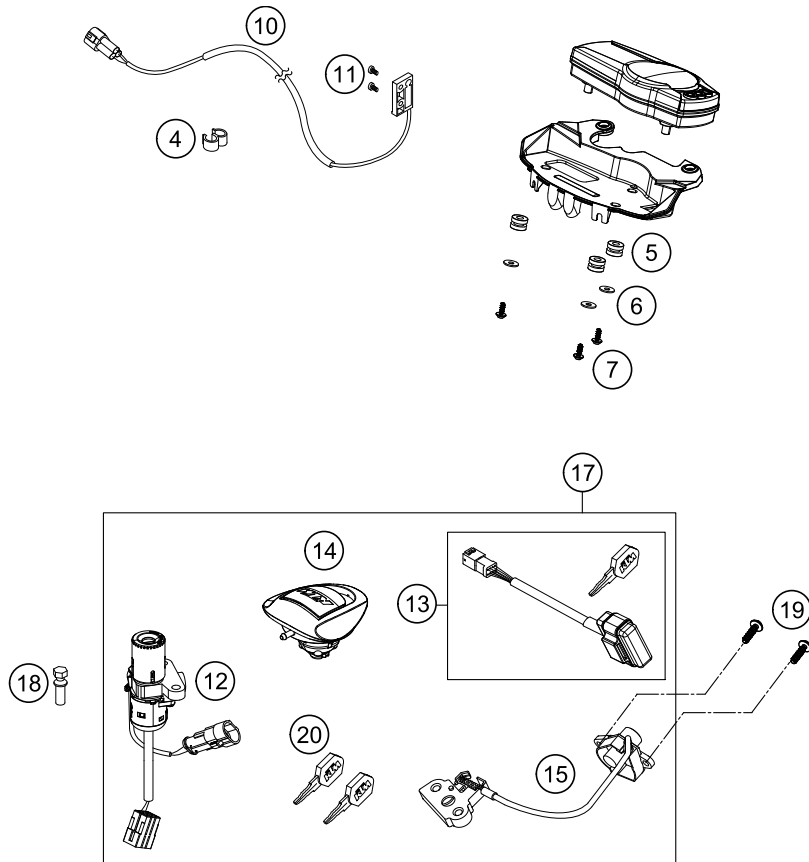


| POS | PARTNUMBER | PARTNAME | PIECE |
|-----|-------------|--------------------------------|-------|
| 1 | 62614001000 | HEAD LIGHT RIGHT TR. 08 | 1 |
| 6 | 76514001050 | RUBBER CAP FOR HEAD LIGHT | 1 |
| 7 | 49011435100 | BULB 12V 5W (W2,1X9,5D) PHIL. | 2 |
| 8 | 57111038000 | BULB H4 12V 60/55W (P43T) | 1 |
| 9 | 49011435200 | BULB RED WR5W 12V | 2 |
| 12 | 0025050126 | HH COLLAR SCREW M5X12 TX30 | 4 |
| 20 | 60114025000 | FLASHER CPL.FRONT L/S REAR R/S | 2 |
| 21 | 60114026000 | FLASHER CPL.FRONT R/S REAR L/S | 2 |
| 22 | 60114027000 | BULB 12V ORANGE (RY10W) | 4 |
| 23 | 0433100003 | WASHER 18x10,5x1,6 | 4 |
| 24 | 58414030000 | HH COLLAR NUT M10X1,25 WS=13 | 4 |
| 25 | 0797100003 | LOCK WASHER DIN6797-J10,5 ZI | 4 |
| 26 | 60114028000 | FLASHER LENS L/S R/S TRANSP.06 | 4 |
| 30 | 58614140044 | REAR LIGHT CPL.SMOKED GLASS 07 | 1 |
| 31 | 62614040050 | METAMOLL FOR REARLIGHT 08 | 1 |
| 32 | 60014048100 | BULB RED PR21W 12V | 1 |
| 33 | 0985060003 | SELF LOCK. NUT DIN0985-M 6 | 2 |
| 34 | 0021060003 | WASHER DIN9021-A 6,4 | 2 |
| 35 | 58214069051 | RUBBER GROMMET 16X10,8X3 02 | 2 |
| 39 | 62611076000 | WIRING HARNESS REAR 08 | 1 |
| 40 | 58414047000 | LICENSE-PLATE ILLUMINATION '98 | 1 |
| 41 | 0021050003 | WASHER DIN9021-A 5,3 | 4 |
| 42 | 0985050003 | SELF LOCKING NUT DIN0985-M 5 | 2 |
| 76 | 58611176100 | CABLE HARNESS REAR PART 07 | 1 |

116261411

C116261411

* NEW PART X ON DEMAND



| POS | PARTNUMBER | PARTNAME | PIECE |
|-----|-------------|--------------------------------|-------|
| 4 | 60111094000 | CLIP 5/7 MM 06 | 1 |
| 5 | 58214069051 | RUBBER GROMMET 16X10,8X3 02 | 3 |
| 6 | 0021050003 | WASHER DIN9021-A 5,3 | 3 |
| 7* | 0081045121 | SCREW FOR PLASTIC K45X12 T20 | 3 |
| 9* | 61114069300 | SPEEDOMETER 10 | 1 |
| 10* | 62514068200 | SPEEDOMETER SENSOR 10 | 1 |
| 11 | 0084040083 | CYL.HEAD SCREW DIN0084-M 4X8 A | 2 |
| 12 | 62611066000 | IGNITION LOCK | 1 |
| 13 | 62611021000 | IMMOBILIZER 990SM W. MASTERKEY | 1 |
| 14 | 58407008300 | TANK PLUG | 1 |
| 15 | 62607050000 | SEAT LOCK | 1 |
| 17 | 62611066044 | LOCK SYSTEM 990SM 08 | 1 |
| 18 | 60011064000 | TAMPERPROOF SCREW F. IGN. LOCK | 2 |
| 19 | 0081050181 | SCREW FOR PLASTIC K50X18 T20 | 2 |
| 20 | 62611067000 | KEY WITH TRANSPONDER | 1 |

ACHTUNG !!! **CAUTION !!!**

Zum Anlernen des EWS-Steuergeräts sind ein roter und mindestens ein schwarzer Zündschlüssel erforderlich.

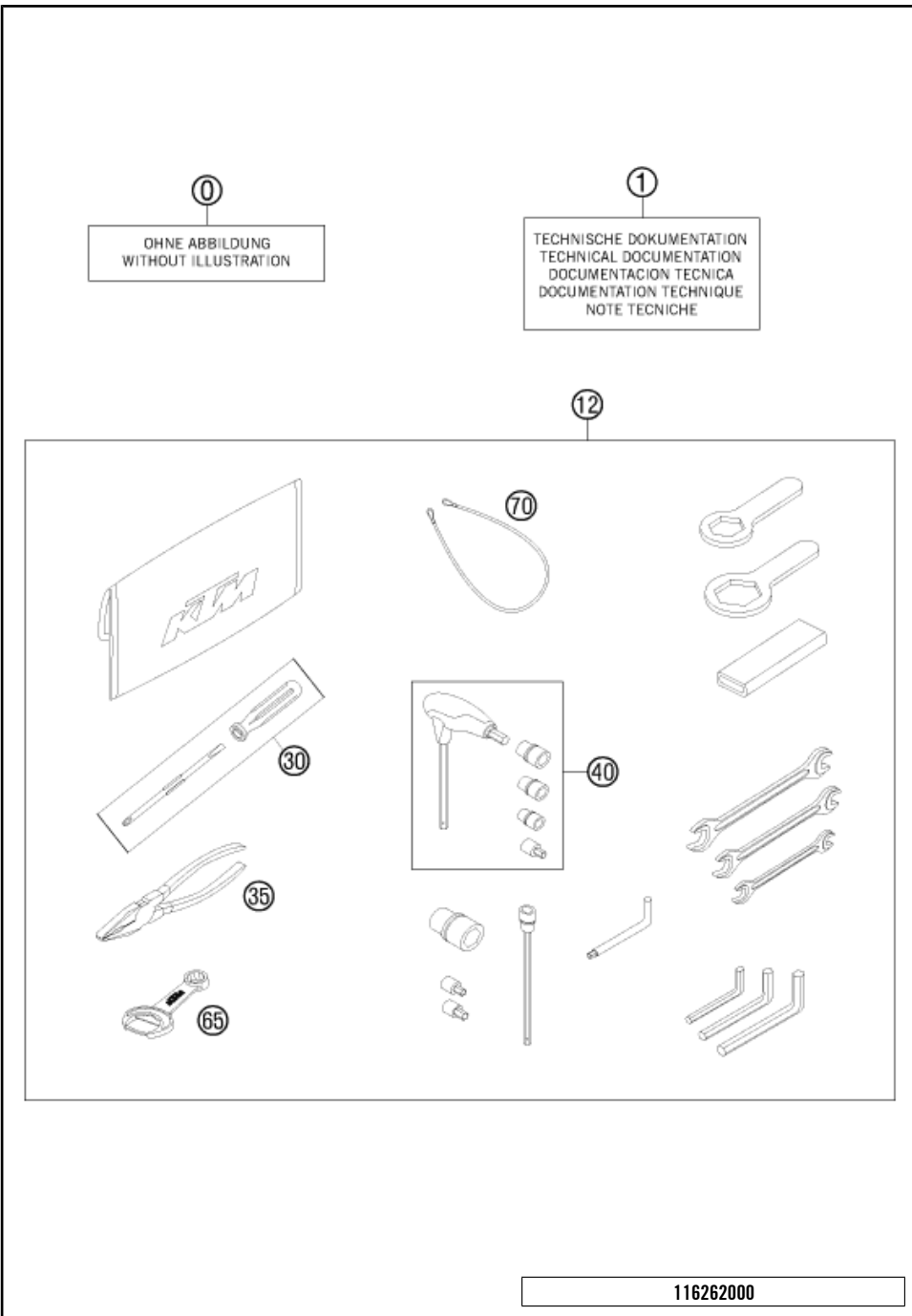
! To program the ICU control unit, one red and at least one black ignition keys are required.

116261430

C116261430

* NEW PART

X ON DEMAND



| POS | PARTNUMBER | PARTNAME | PIECE |
|-----|--------------|--------------------------------|-------|
| 0 | 0024060156 | HH COLLAR SCREW M6X15 TX30 | 4 |
| 0 | 40006006000 | WASHER 6MM | 2 |
| 0 | 58412040050 | SUPPORT FOR MIRROR LC4 '98 | 2 |
| 0 | 61112040000 | REVIEW MIRROR L/S 07 | 1 |
| 0 | 61112041000 | REVIEW MIRROR R/S 07 | 1 |
| 0 | 58412080000 | REFLECTOR RED | 1 |
| 0 | 60012081200 | LICENCE FITTING 06 | 1 |
| 0 | 0024060156 | HH COLLAR SCREW M6X15 TX30 | 4 |
| 0 | 0021060003 | WASHER DIN9021-A 6,4 | 4 |
| 0 | 0985060003 | SELF LOCK. NUT DIN985-M 6 | 4 |
| 0 | 58412080050 | BRACKET FOR REFLECTOR | 1 |
| 0 | 40006006000 | WASHER 6MM | 2 |
| 0 | 0966050163 | OVAL HEAD SCREW DIN966-M 5X16 | 2 |
| 0 | 0125050003 | WASHER DIN0125-A 5,3 | 2 |
| 0 | 0985050003 | SELF LOCKING NUT DIN985-M 5 | 2 |
| 0* | 3210040 | CUSTOMER WELCOME LETTER | 1 |
| 0 | 312313 | KTM BALLPOINT PEN ORANGE | 1 |
| 0 | 312305 | DOCUMENTS BAG 2006 | 1 |
| 0* | 00063004202 | PRINT LABEL 60X51 MM | 1 |
| 0 | 00063099111 | BAG FOR INSTR. MANUAL 245X170 | 1 |
| 0 | 3212341DE/GB | TNT FOLDER 2011 | 1 |
| 1* | 3211660EN | OWN. MANUAL 990 SM-R 2011 | 1 |
| 12 | 61129099000 | % TOOL SET 08 | 1 |
| 30 | 53012024100 | SCREW DRIVER L=105MM | 1 |
| 35 | 53012028200 | GRIP ORANGE B&F | 1 |
| 40 | 60029070200 | % T-WRENCH WS=6/8/10 TX=45 B&F | 1 |
| 65 | 50329071100 | WRENCH WS=13 B&F + OPENER | 1 |
| 70 | 60012015000 | HELMET LOCK 04 | 1 |

116262000

C116262000

* NEW PART X ON DEMAND

A large, empty rectangular box with a thin black border, occupying the majority of the page. It is intended for the user to write notes.

A large, empty rectangular box with a thin black border, occupying the majority of the page. It is intended for the user to write notes related to the document's content.

A large, empty rectangular box with a thin black border, occupying the majority of the page. It is intended for the user to write notes.

WWW.KTM.COM



KTM Sportmotorcycle GmbH
5230 Mattighofen, Austria
www.ktm.com



KTM_POWERPARTS

KTM_POWERWEAR

KTM_ORIGINAL SPARE PARTS



3CF 9803K1EN

Art. Nr.: 3CF 9803K1EN 10. Mai 2016