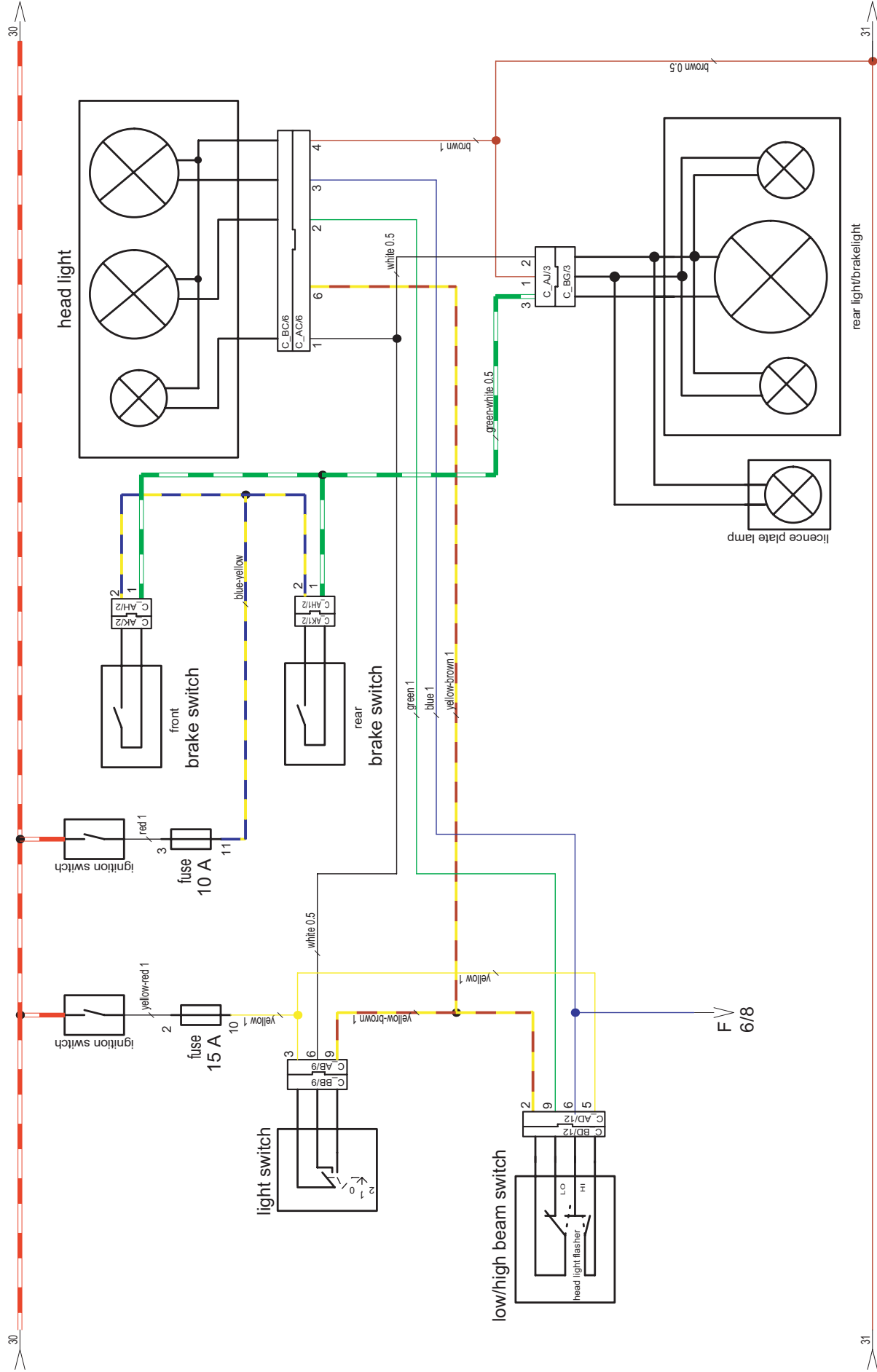


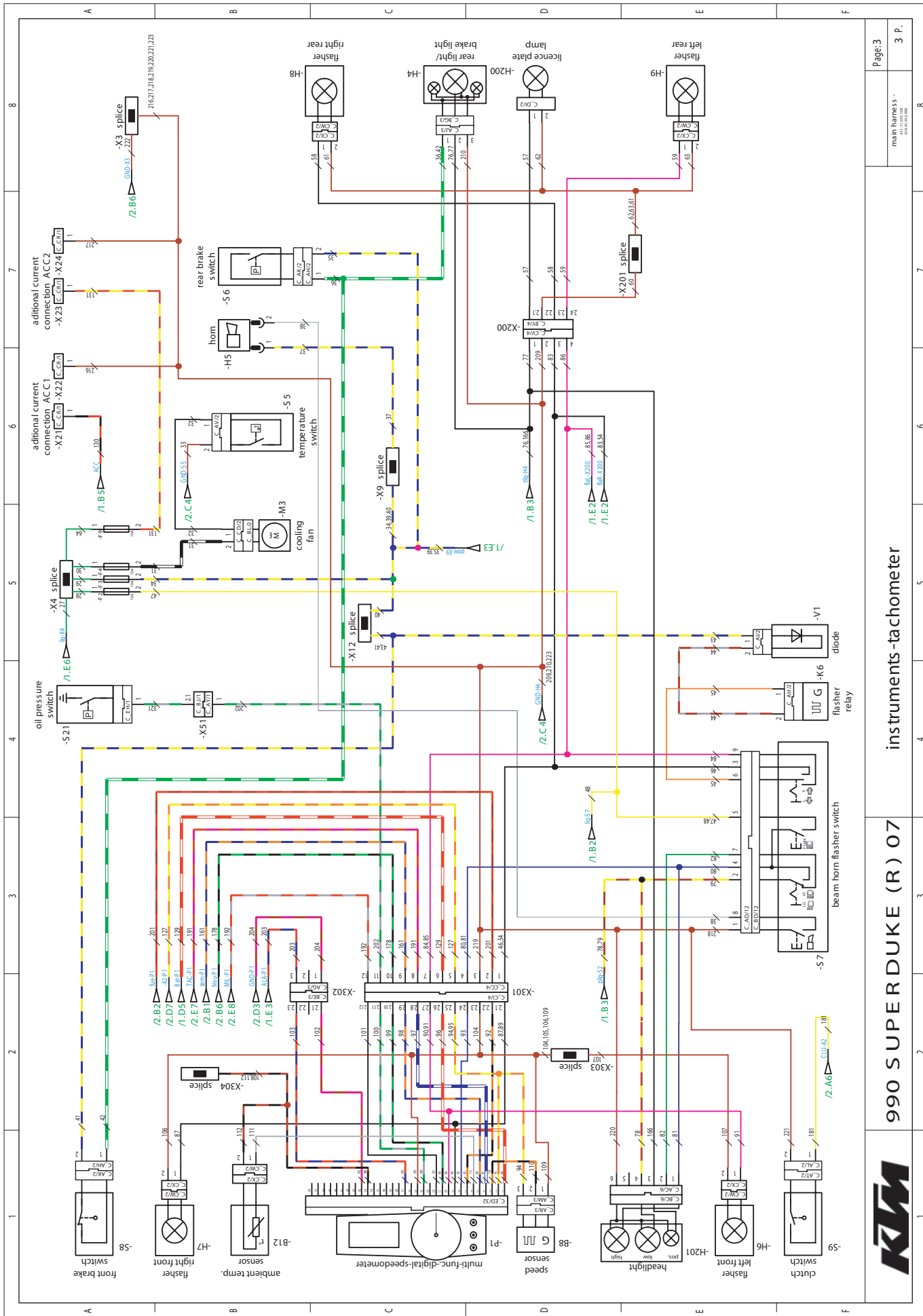
# 990 Super Duke

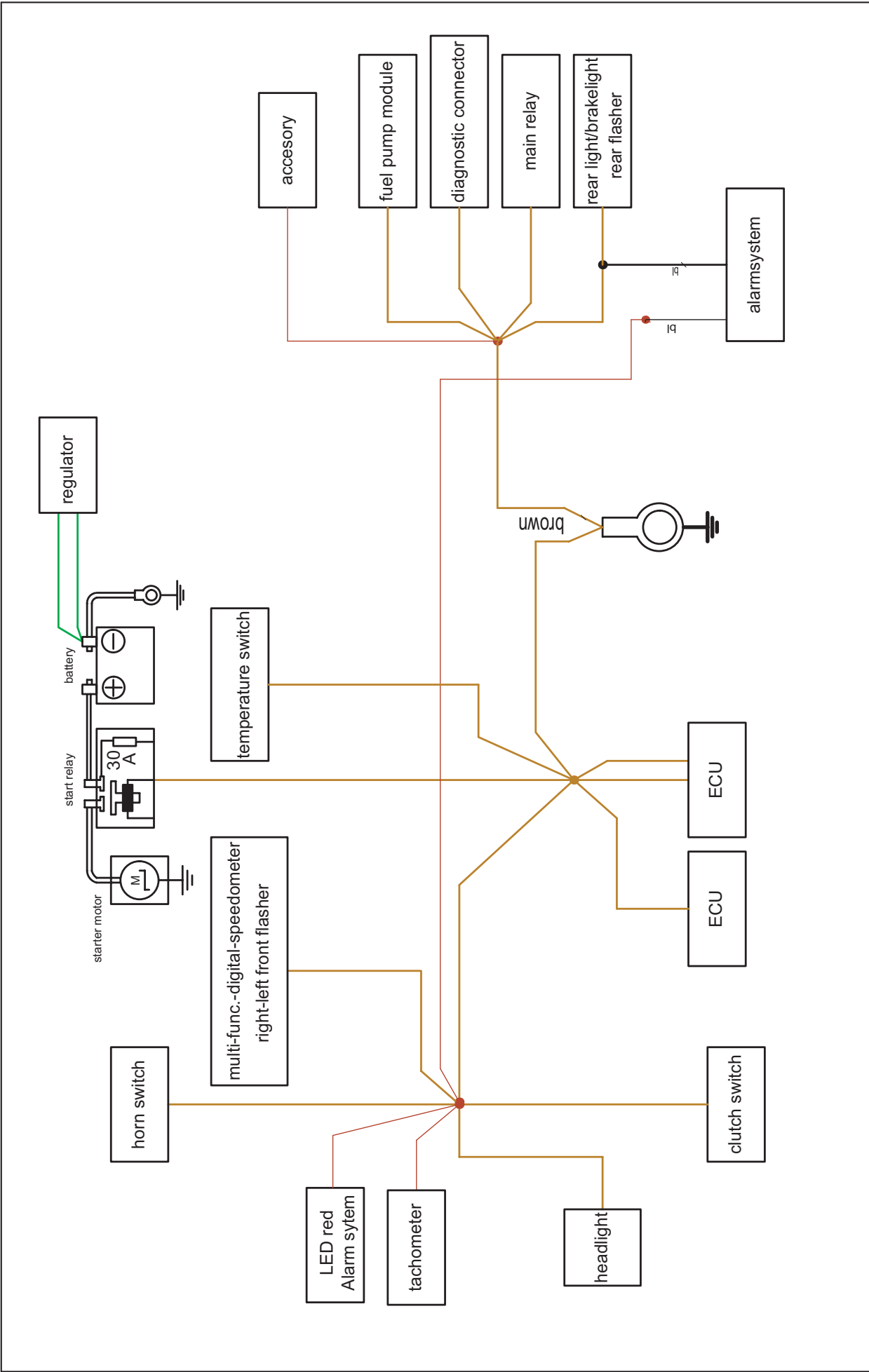
## turn signal , horn , fan



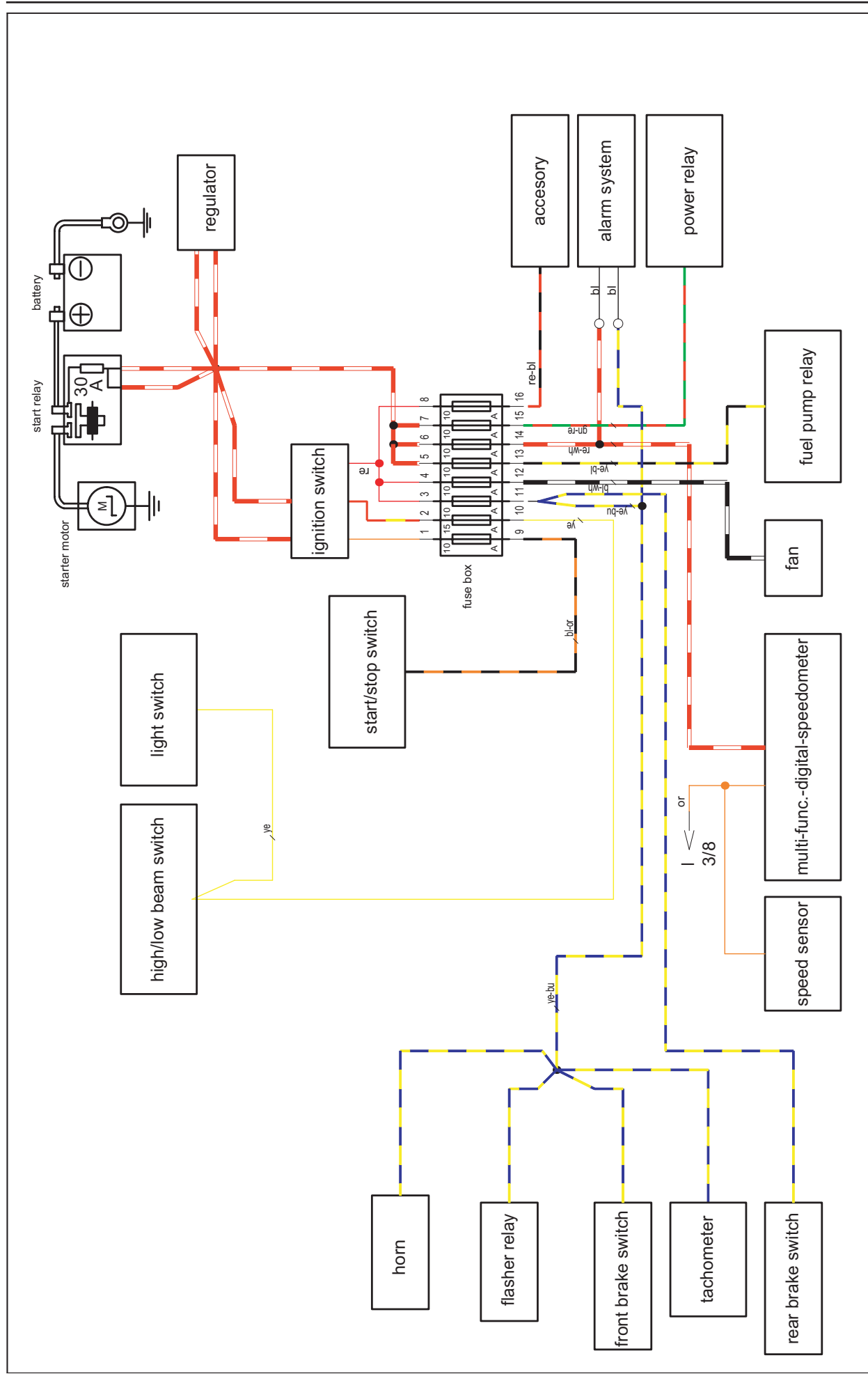
990 Super Duke

light-brake system





	<p>990 Super Duke</p>	<p>ground connection</p>	<p>7/8</p>
---	-----------------------	--------------------------	------------



990 Super Duke

positive connection