

# 1190 RC8 2008

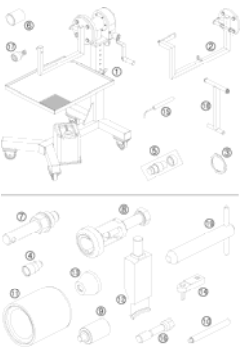
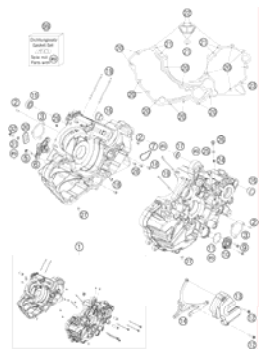
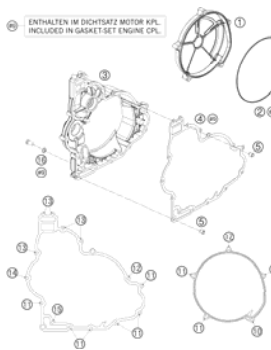
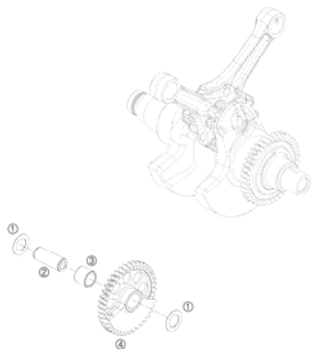
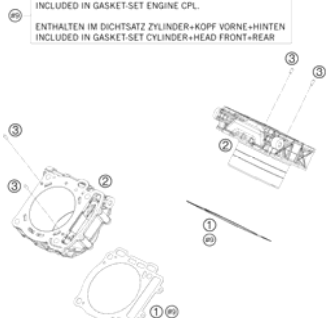
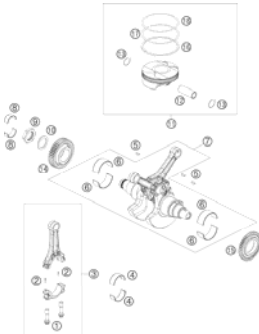
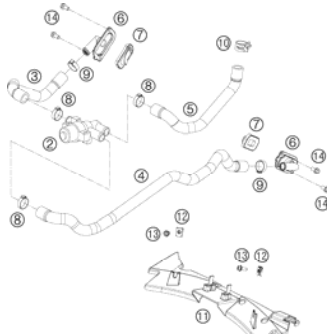
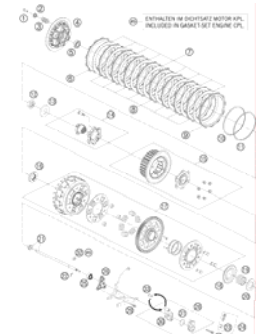
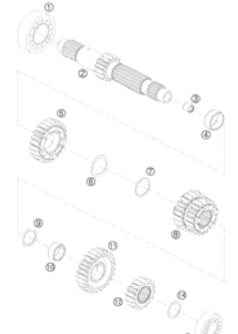
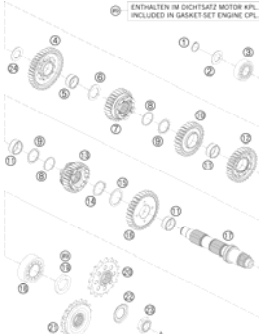

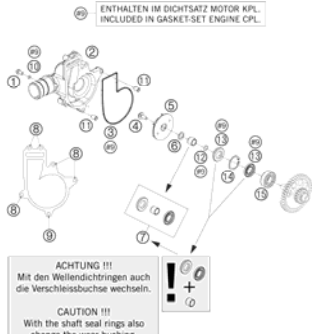
**SPARE PARTS MANUAL: ENGINE**

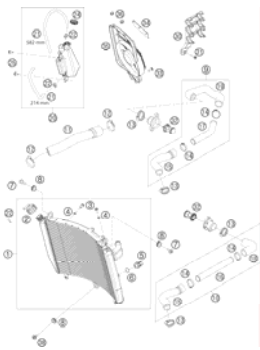
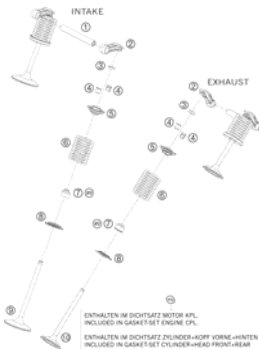

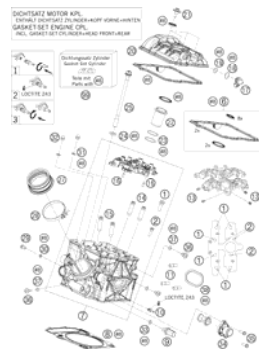
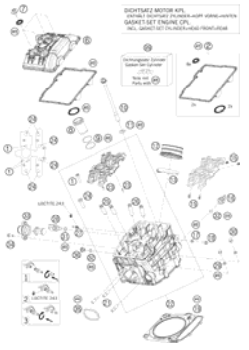
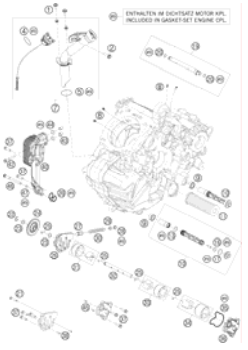
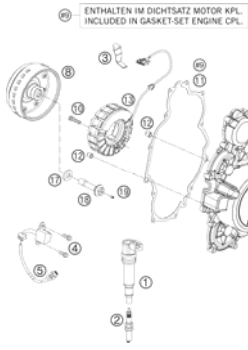
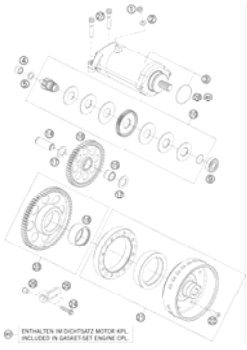
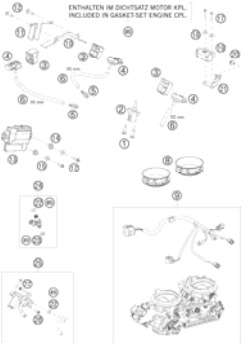
ART.NO.: 3CM089850HEN

ENGLISH





<p><b>SPECIAL TOOLS</b></p>  <p><b>3</b></p>	<p><b>ENGINE CASE</b></p>  <p><b>4</b></p>	<p><b>CLUTCH COVER</b></p>  <p><b>5</b></p>	<p><b>BALANCER SHAFT</b></p>  <p><b>6</b></p>
<p><b>CYLINDER</b></p> <p>ENTHALTEN IM DICHTSATZ MOTOR KPL. INCLUDED IN GASKET-SET ENGINE CPL.</p> <p>ENTHALTEN IM DICHTSATZ ZYLINDER-KOPF VORNE+HINTEN INCLUDED IN GASKET-SET CYLINDER-HEAD FRONT+REAR</p>  <p><b>7</b></p>	<p><b>CRANKSHAFT, PISTON</b></p>  <p><b>8</b></p>	<p><b>SECONDARY AIR SYSTEM SAS</b></p>  <p><b>9</b></p>	<p><b>CLUTCH</b></p>  <p><b>10</b></p>
<p><b>TRANSMISSION I - MAIN SHAFT</b></p>  <p><b>11</b></p>	<p><b>TRANSMISSION II - COUNTERSHAFT</b></p>  <p><b>12</b></p>	<p><b>SHIFTING MECHANISM</b></p>  <p><b>13</b></p>	<p><b>WATER PUMP</b></p>  <p><b>15</b></p> <p>ACHTUNG !!! Mit den Wellendichtringen auch die Verschleißbuchse wechseln.</p> <p>CAUTION !!! With the shaft seal rings also change the wear bushing.</p>

<p><b>COOLING SYSTEM</b></p>  <p><b>16</b></p>	<p><b>VALVE DRIVE</b></p>  <p><b>17</b></p>	<p><b>TIMING VALVE</b></p>  <p><b>18</b></p>	<p><b>CYLINDER HEAD REAR</b></p>  <p><b>19</b></p>
<p><b>CYLINDER HEAD FRONT</b></p>  <p><b>20</b></p>	<p><b>LUBRICATING SYSTEM</b></p>  <p><b>21</b></p>	<p><b>IGNITION SYSTEM</b></p>  <p><b>23</b></p>	<p><b>ELECTRIC STARTER</b></p>  <p><b>24</b></p>
<p><b>THROTTLE BODY</b></p>  <p><b>25</b></p>	<div style="display: flex; align-items: center;"> <div style="font-size: 48px; margin-right: 20px;">!</div> <div> <p>All information contained is without obligation. KTM-Sportmotorcycle AG particularly reserves the right to modify any equipment, technical specifications, prices, colors, shapes, materials, services, service work, constructions, equipment and the like so as to adapt them to local conditions or to cancel any of the above items, all without previous announcement and without giving reasons. KTM may stop manufacturing certain models without previous notice. KTM shall not be held liable for any deviations of availability and/or ability to deliver, illustrations, descriptions, printing and/or other errors. The illustrated models partly contain extra equipment, which is not applied to standard models. © by KTM-SPORTMOTORCYCLE AG, Mattighofen AUSTRIA; All rights reserved; Reprint, also in extracts, with written allowance of KTM-SPORTMOTORCYCLE AG, Mattighofen only.</p> </div> </div>		

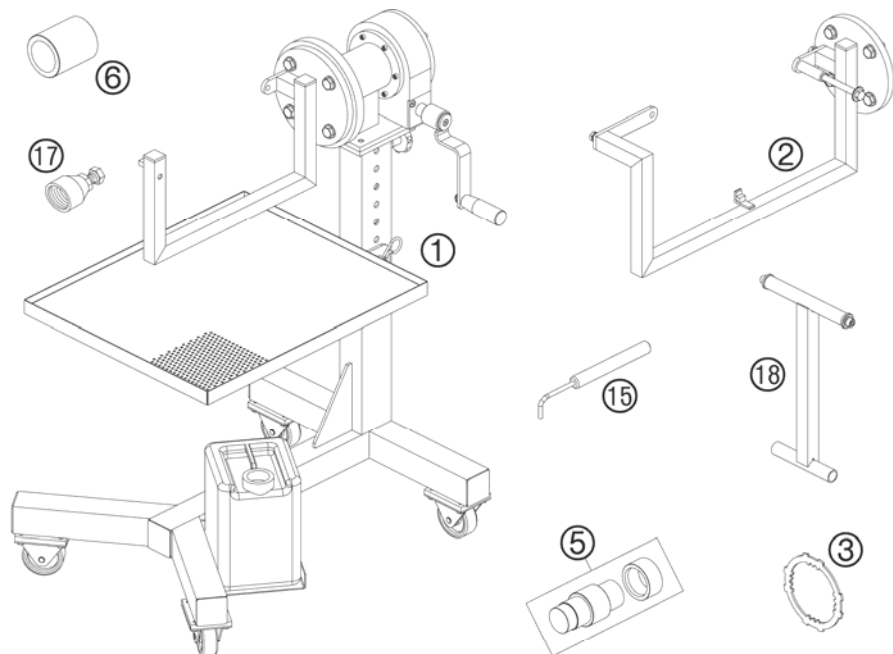
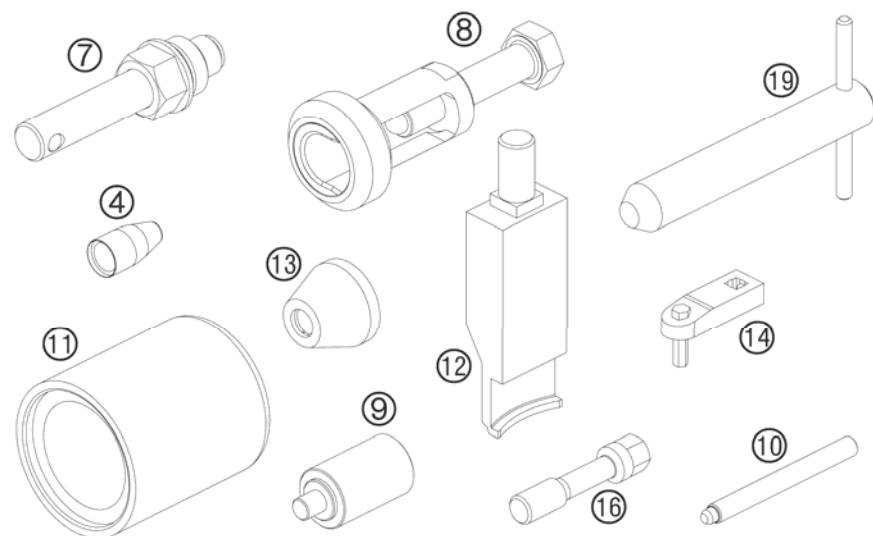


FIG	PART NUMBER	DESCRIPTION	QTY
1	61229001000	UNIVERSAL MOUNTING RACK	1
2	61229002000	ENGINE BRACKET	1
3	61229003000	CLUTCH HOLDER	1
4	61229005000	MOUNT. SLEEVE SHAFT SEAL RING	1
5	61229044000	PRESSING TOOL D53 MAIN BEARING	1
6	61229045000	BEARING RING F. PRESSING TOOL	1
7	61229010000	PULLER CPL. F. IGNITION COVER	1
8	61229020000	RING F. COMB. SHAFT BEARING	1
9	61229013000	ARBOR PRESS SS-RING DRIVE	1
10	61229015000	ENGINE BLOCKING SCREW	1
11	61229016000	PRES.SOCKET COUNTERSHAFT DRIVE	1
12	61229017000	PULLER F. COUNTERSHAFT DRIVE	1
13	61229018000	COMBINATION PRESSURE PAD	1
14	61229025000	EXTENSION TORQUE WRENCH	1
15	61229021000	UNLOCKING TOOL	1
16	61229008000	PRES. PEACE F. ROTOR EXTRACTOR	1
17	58429009000	MAGNETO EXTRACTOR	1
18	61229050000	FRAME SUPPORT	1
19	61229051000	CENTERING PIN	1



086122910 / C086122910

\* NEW PART

X AS REQUIRED

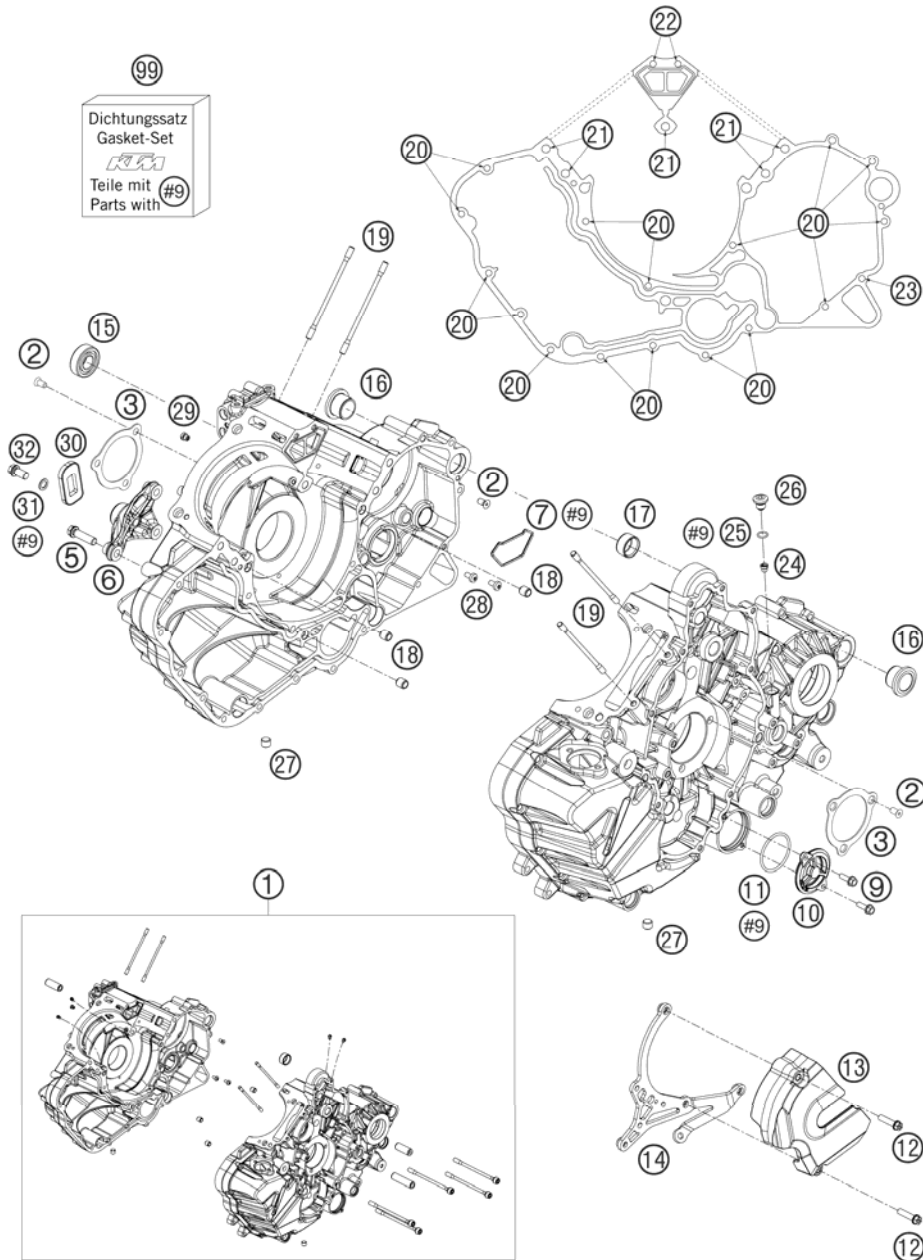


FIG	PART NUMBER	DESCRIPTION	QTY
1	6123000044	ENGINE CASE CPL. WITH BEARINGS	1
2	0019050103	INT. TORX FLAT HEAD M 5X10 8.8	7
3	61230084000	BRACKET FOR BEARING INSERT 08	2
5	0025080306	HH COLLAR SCREW M8X30 TX40	3
6	61230066100	ENGINE BRACKET R/S	1
7	61230039100	MOLDED RING CASE CENTER	1
9	0015050163	HH COLLAR SCREW M 5X16 WS=8	2
10	75038041200	OILFILTER CAP	1
11	0770039026	O-RING 39,34X2,62 NBR 70 SH	1
12	0025060256	HH COLLAR SCREW M6X25 TX30	2
13	69030060044	PINION COVER CPL.	1
14	61230047044	CHAIN FAIL. PROTECTION CPL.	1
15	0412153511	CYL.ROLLER BEAR. NJ202 ECP C3	1
16	60030010000	SWING BEARING OUTSIDE LC8 03	2
17	60030023000	DOWEL 20,1X24X12 03	1
18	49030090000	DOWEL 9,8 X 7 X 10	3
19	61230044000	STUD M6X110 08	4
20	0015060803	HH COLLAR SCREW M 6X80 WS=8	16
21	61230043000	CASE SCREW M8X125 AS 08	5
22	0015060903	HH COLLAR SCREW M 6X90 WS=8	2
23	0015060503	HH COLLAR SCREW M 6X50 WS=8	1
24	60038029200	REDUCING JET "30" M6X0,75	1
25	0770090015	O-RING 9X1,5 NBR	1
26	77336056095	SCREW PLUG	1
27	0906200100	PLUG DIN0913-M10X1X8	2
28	0018050103	INT. TORX OVAL HEAD M 5X10 8.8	2
29	57031523140	MAIN JET 140	1
30	60005026000	SLS-VALVE 03	1
31	0603082131	COPPER GASK.DIN7603- 8,2X13X1	1
32	0025080166	HH COLLAR SCREW M8X16 TX40	1
99	61230099000	GASKET SET ENGINE CPL.	1

086123010 / C086123010

\* NEW PART

X AS REQUIRED

# CLUTCH COVER

1190 RC8 2008

#9 ENTHALTEN IM DICHTSATZ MOTOR KPL.  
INCLUDED IN GASKET-SET ENGINE CPL.

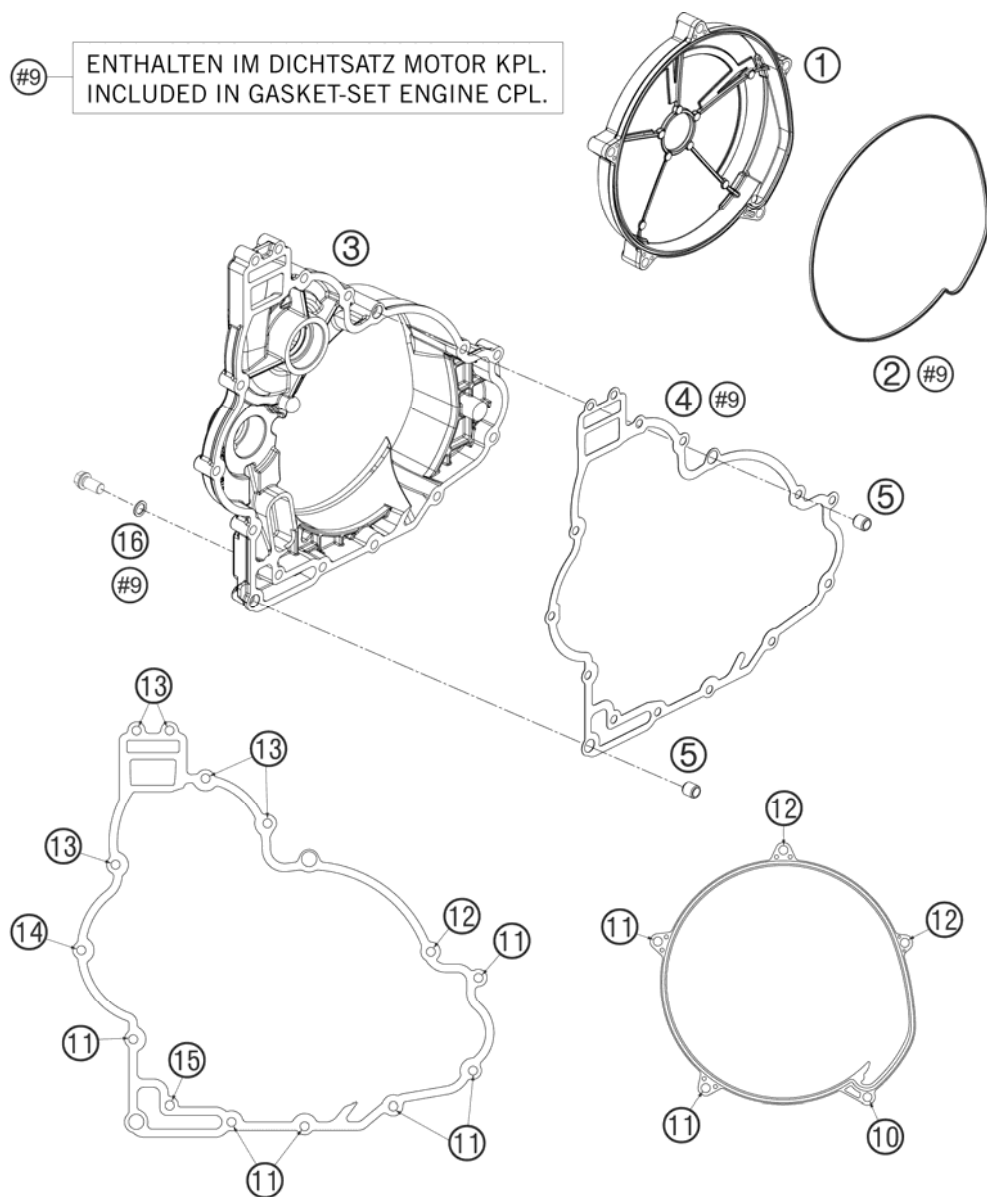


FIG	PART NUMBER	DESCRIPTION	QTY
1	61230026000	OUTER CLUTCH COVER 08	1
2	61230027000	MOLDED RING OUTER CLUTCH COVER	1
3	61230001044	CLUTCH CASE WITH BEARINGS	1
4	61230025000	CLUTCH COVER GASGET 08	1
5	49030090000	DOWEL 9,8 X 7 X 10	2
10	0015060953	HH COLLAR SCREW M 6X95 WS=8	1
11	0015060303	HH COLLAR SCREW M 6X30 SW=8	8
12	0015060903	HH COLLAR SCREW M 6X90 WS=8	3
13	0015060453	HH COLLAR SCREW M 6X45 WS=8	5
14	0015060353	HH COLLAR SCREW M 6X35 WS=8	1
15	0025080166	HH COLLAR SCREW M8X16 TX40	1
16	45038017000	SEAL RING 8X14X1 AI	1

086123020 / C086123020

\* NEW PART

X AS REQUIRED

# BALANCER SHAFT

1190 RC8 2008

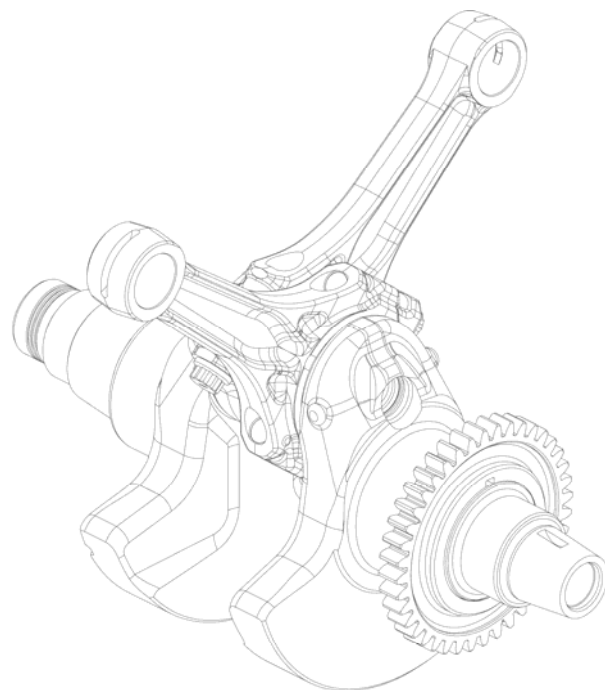


FIG	PART NUMBER	DESCRIPTION	QTY
1	61230057060	STOP DISK 15,2X25X1	2
2	61230058050	BEARING BOLT 15X39 08	1
3	0405151917	NEEDLE BEARING K 15X19X17	1
4	61230058000	BALANCER SHAFT L/S 08	1

086123030 / C086123030

\* NEW PART

X AS REQUIRED



ENTHALTEN IM DICHTSATZ MOTOR KPL.  
INCLUDED IN GASKET-SET ENGINE CPL.

ENTHALTEN IM DICHTSATZ ZYLINDER+KOPF VORNE+HINTEN  
INCLUDED IN GASKET-SET CYLINDER+HEAD FRONT+REAR

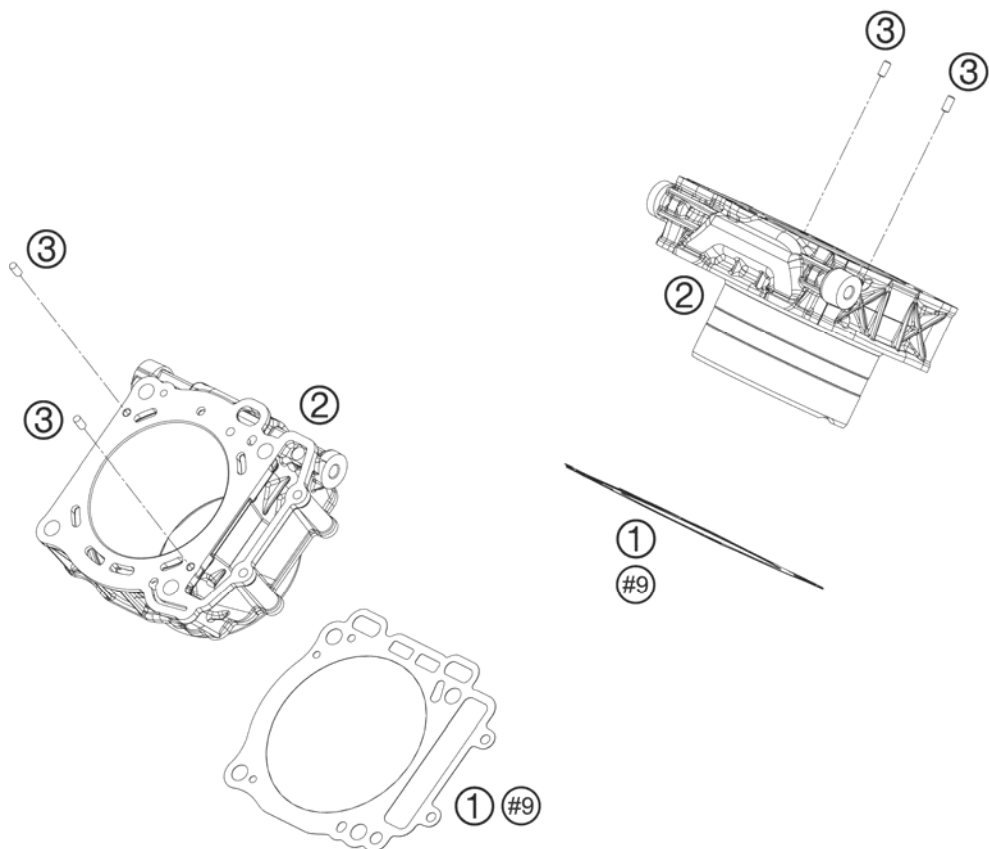


FIG	PART NUMBER	DESCRIPTION	QTY
1	61230035000	CYLINDER BASE GASGET 08	2
2	61230005000	CYLINDER 08	2
3	0474050100	GROOVED PIN DIN1474 5X10	4

086123040 / C086123040

\* NEW PART

X AS REQUIRED

# CRANKSHAFT, PISTON

1190 RC8 2008

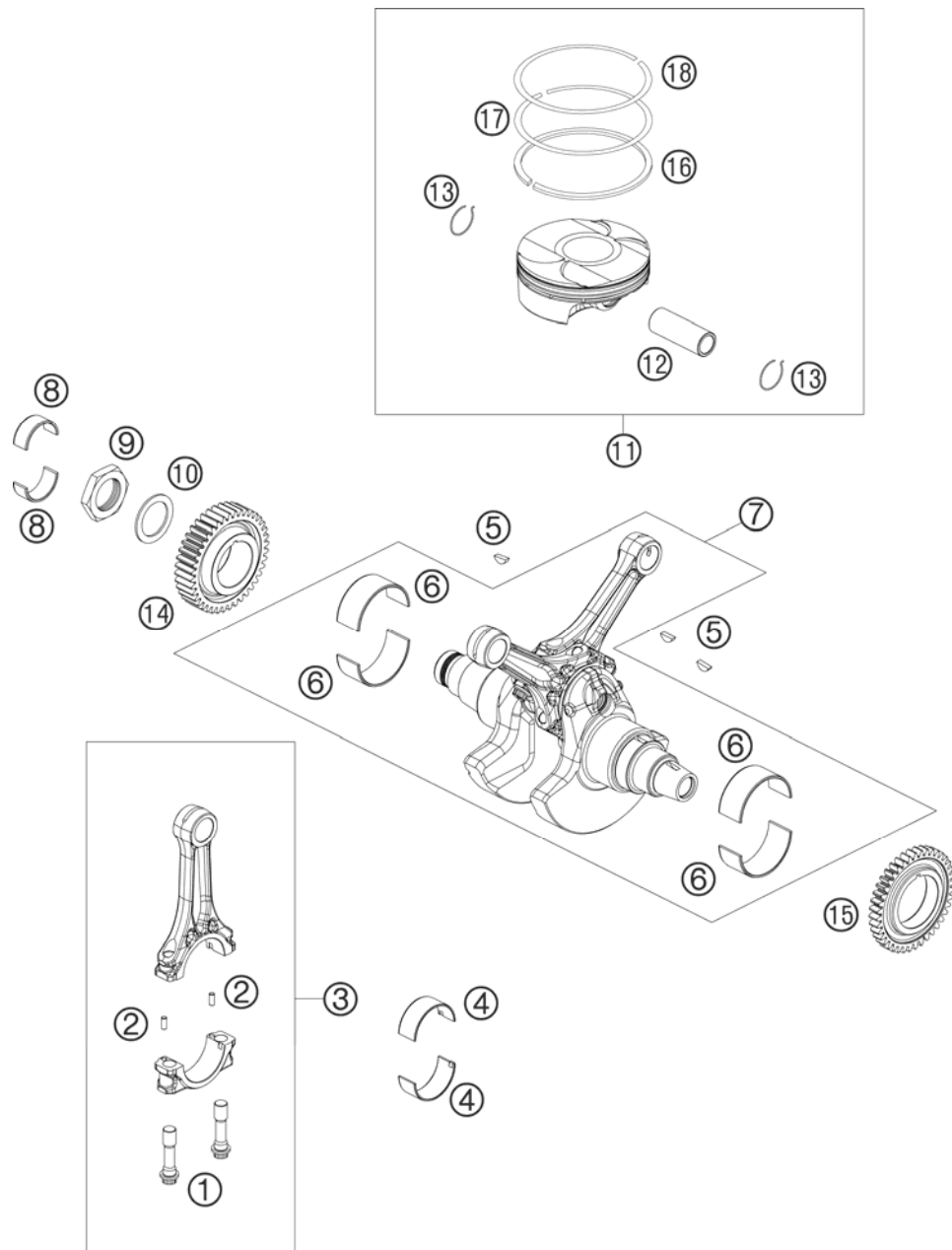


FIG	PART NUMBER	DESCRIPTION	QTY
1	61230015000	CONNECTING-ROD SCREW MJ10X1 08	4
2	0402040980	NEEDLE ROL.DIN5402 NRB 4X9,8	4
3	61230013000	CONNECTING-ROD 08	2
4	612300150101	SPLIT BEAR. BUSH RED 08	x
4	612300150102	SPLIT BEAR. BUSH BLUE 08	x
4	612300150103	SPLIT BEAR. BUSH YELLOW 08	x
5	0888040050	WOODRUFF KEY DIN6888 4X5X13	3
6	612300820001	SPLIT BEAR. BUSH RED 08	x
6	612300820002	SPLIT BEAR. BUSH BLUE 08	x
6	612300820003	SPLIT BEAR. BUSH YELLOW 08	x
7	61230018200	CRANKSHAFT CPL.	1
8	60030026010	BUSHING BOWL 28X32X13 03	2
9	60032009050	HH-NUT M33X1,5 L/S WS46 03	1
10	60032009040	WASHER 33,2X46X2 03	1
11	61230007100 I	PISTON CPL.	x
11	61230007100 II	PISTON CPL.	x
12	61230033000	PISTON PIN D=20 08	2
13	77630074000	CIRCLIP	4
14	61230055000	PRIMARY GEAR	1
15	61230056000	DRIVE WHEEL BALANCER SHAFT 08	1
16	61230030000	L-RING	2
17	61230031000	PISTON RING MN	2
18	61230032000	PISTON RING GFSOE	2

086123060 / C086123060

\* NEW PART

X AS REQUIRED

# SECONDARY AIR SYSTEM SAS

1190 RC8 2008

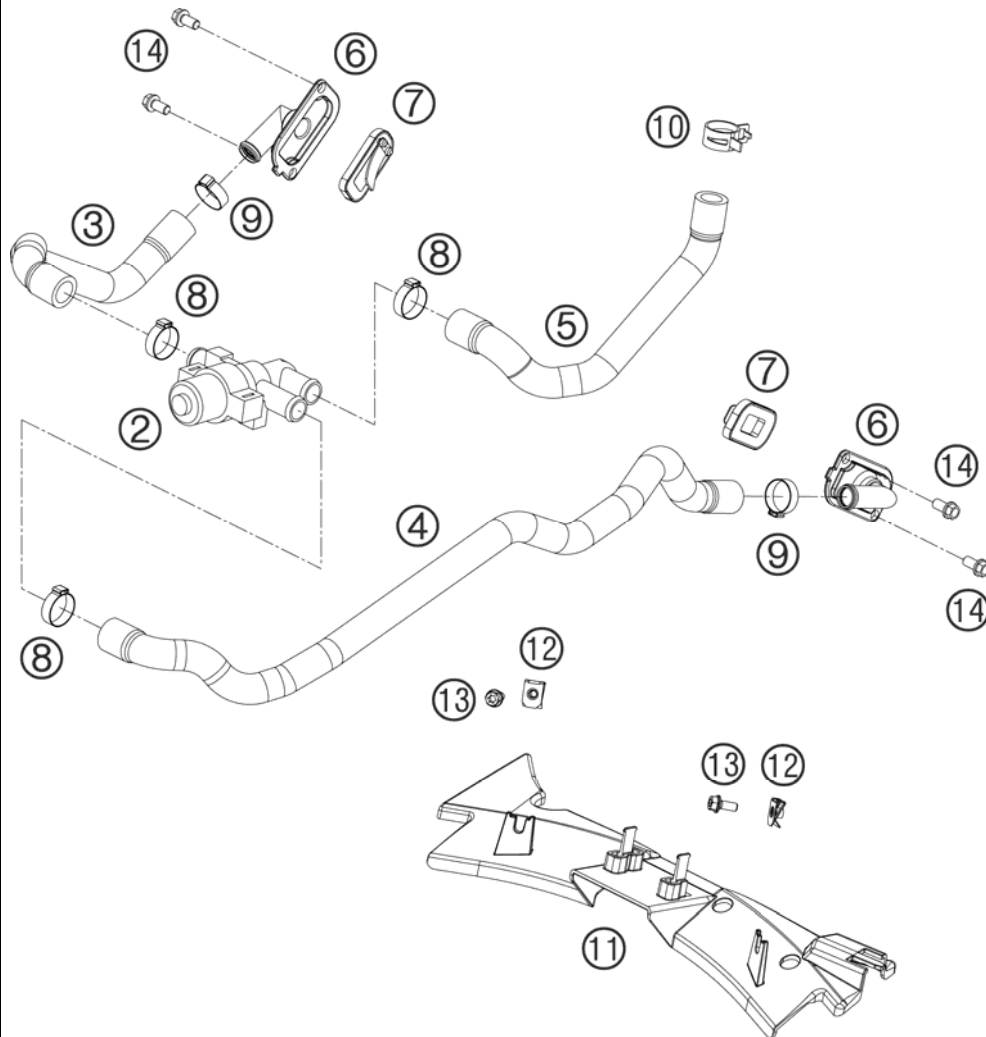


FIG	PART NUMBER	DESCRIPTION	QTY
2	61005026000	CONTROL VALVE SAS 05	1
3	69005035021	SAS HOSE-CYLINDER FRONT	1
4	69005035022	SAS HOSE-CYLINDER REAR	1
5	69005035023	SAS HOSE-AIR FILTER BOX	1
6	61205022000	SAS-FLANGE	2
7	60005026000	SLS-VALVE 03	2
8	00050226706	VARIABLE ONE-EAR CLAMP 22,6MM	3
9	00050210706	VARIABLE ONE-EAR CLAMP 21,0MM	2
10	00049190121	CLAMP STD DN19	1
11	69005028000	SAS-SUPPORT RC8 08	1
12	69008021080	RANGE CHANGE METAL NUT M5	2
13	0025050126	HH COLLAR SCREW M5x12 TX30	2
14	0015060123	HH COLLAR SCREW M 6X12 WS=8	4

086123130 / C086123130

\* NEW PART

X AS REQUIRED

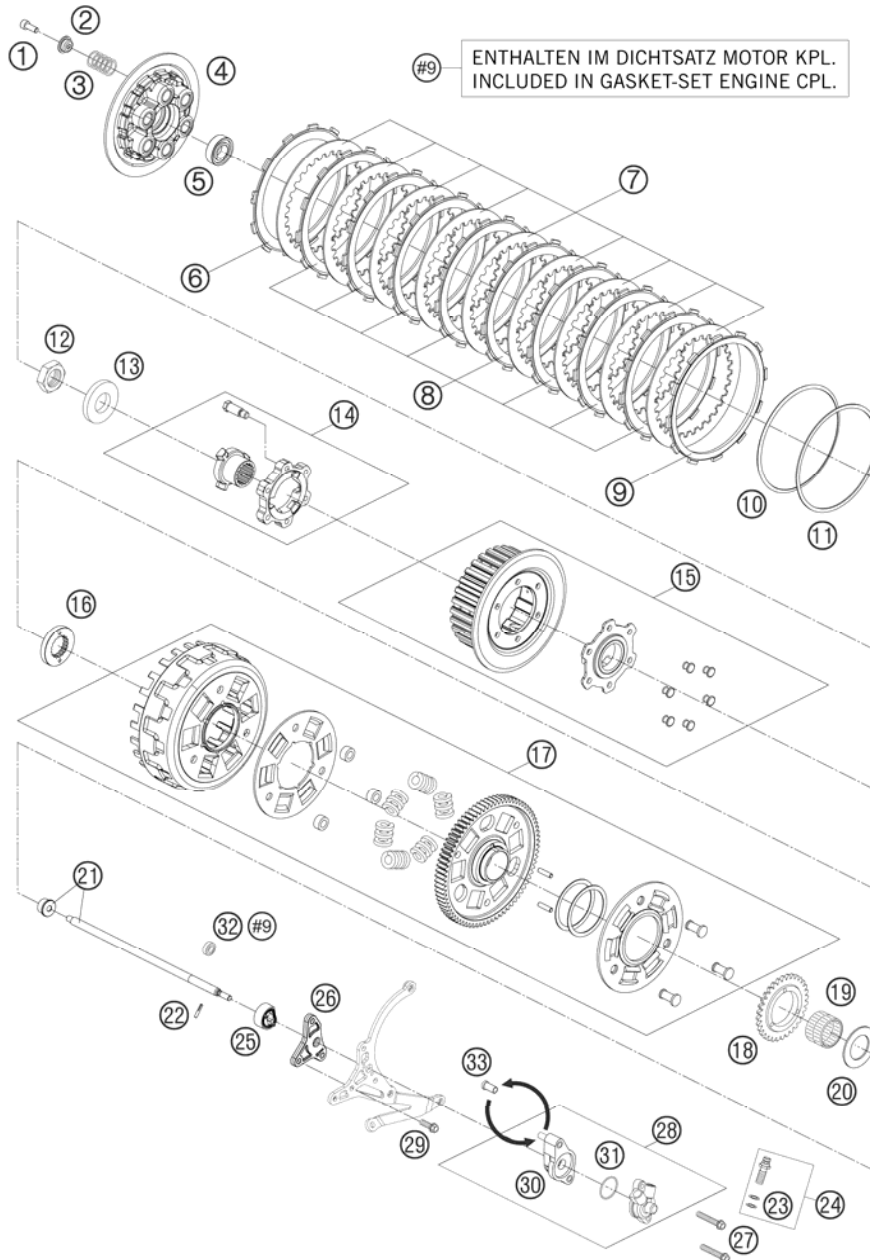


FIG	PART NUMBER	DESCRIPTION	QTY
1	0984060162	AH SCREW DIN7984-M 6X16	6
2	61232006000	SPRING RETAINER STEPPED	6
3	61232005000	CLUTCH SPRING D2,7/35MM PINK	6
4	61232003000	PRESSURE CAP	1
5	0625060032	BALL BEARING 6003 JR2 C4	1
6	61232111000	LINING DISK OUTSIDE 3MM	1
7	61232010000	STEEL DISK 2MM	9
8	61232011000	LINING DISK 3MM	8
9	61232012000	LINING DISK INSIDE 3,8MM	1
10	61232034000	BELLEVILLE SPRING	1
11	61232035000	BEARING RING	1
12	0936220155	HEXAGON NUT DIN0936-M22X1,5 R.	1
13	0126220373	WASHER DIN0126 22X37X3 MM	1
14	60032080000	CLUTCH BOOSTER UNIT CPL. 03	1
15	61232002000	CLUTCH TAPPET CPL.	1
16	60032021000	SECTION WASHER 03	1
17	61232001044	CLUTCH CAGE CPL. 08	1
18	60038001132	OIL PUMP GEAR WHEEL 32-T 07	1
19	0618303526	NEEDLE BUSH HK 30X35X26	1
20	60032020000	STOP DISK 30,2/50/2	1
21	61232054000	PUSH ROD CPL. 2-PARTS 08	1
22	0472030160	GROOVED PIN DIN1472 3x16	1
23	0603100141	COPPER GASKET DIN7603-10X14X1	2
24	50332062000	HOLLOW SCREW CPL. M 10X1 '98	1
25	61232069000	PUSH ROD GUIDE	1
26	61232068100	DISTANCE PLATE 7MM	1
27	0025060506	HH COLLAR SCREW M6X50 TX30	2
28	60032061144	CYLINDER CPL. LC8 07	1
29	0015060253	HH COLLAR SCREW M 6X25 WS=8	1
30	60032061050	DISTANCE CLUTCH CONTR. CPL.	1
31	60032065000	O-RING GASKET 03	1
32	0760091862	SHAFT SEAL RING 9X18X06 B-NBR	1
33	61232061051	SLEEVE CLUTCH CONTR.	2

086123210 / C086123210

\* NEW PART

X AS REQUIRED

# TRANSMISSION I - MAIN SHAFT

1190 RC8 2008

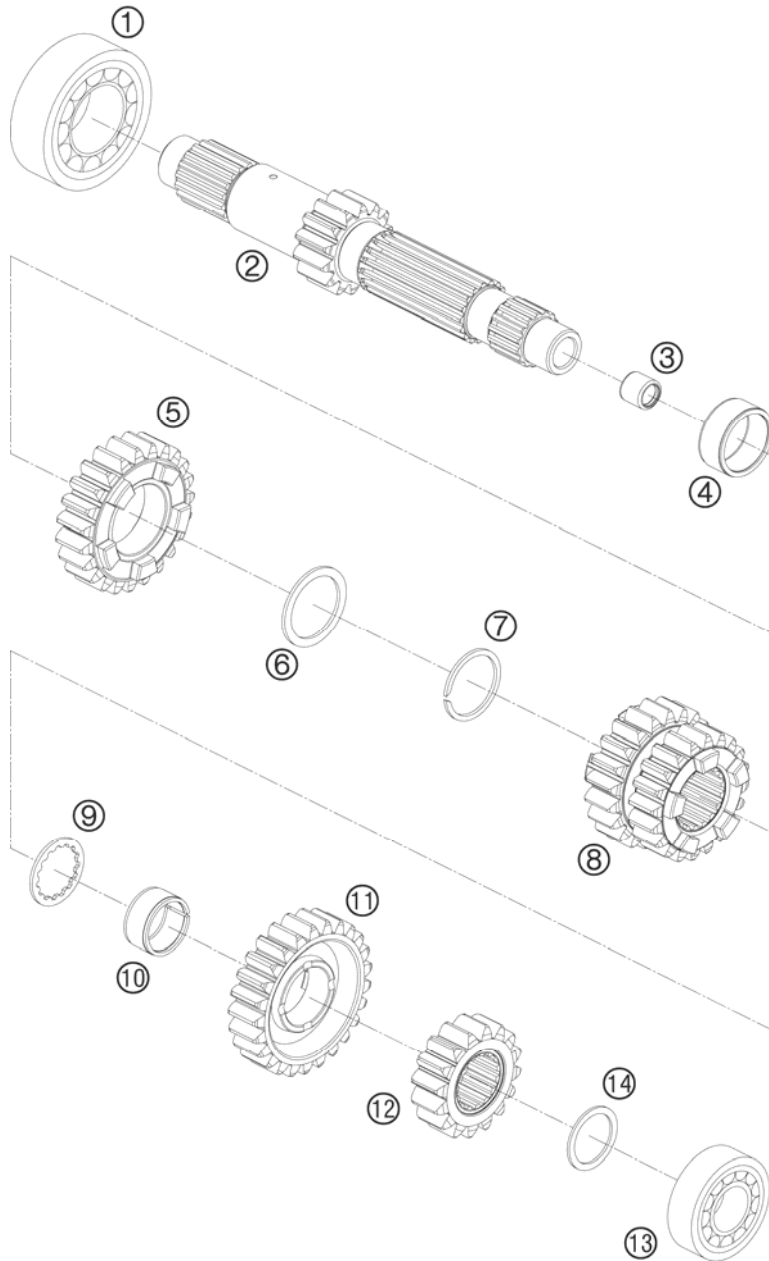


FIG	PART NUMBER	DESCRIPTION	QTY
1	0625062062	BALL BEARING 6206 C3 J1 NSK	1
2	61233001000	MAIN SHAFT 14T	1
3	0618091312	NEEDLE BUSH HK0912 9/13/12 03	1
4	0405263113	NEEDLE BEAR. K 26-31-13	1
5	61233005000	IDLER GEAR 5.G	1
6	61233042000	STOP DISK 27,9/35,75/1,5	1
7	0417280150	LOCK RING DIN5417-WS28	1
8	61233003000	SLIDING GEAR 3./4.G	1
9	61233041000	STOP DISK 22,2/30,2/1,5	1
10	0405222613	NEEDLE BEAR. K 22X26X13 TN	1
11	61233006000	IDLER GEAR 6.G	1
12	61233002000	SOLID GEAR 2.G	1
13	0625062040	BALL BEARING 6204 DU J1 C3	1
14	60033040015	STOP DISK 20,2X28X1,5	X
14	60033040016	STOP DISK 20,2/28/1,6	X
14	60033040017	STOP DISK 20,2/28/1,7	X
14	60033040018	STOP DISK 20,2/28/1,8	X
14	60033040019	STOP DISK 20,2/28/1,9	X
14	60033040020	STOP DISK 20,2/28/2,0	X
14	60033040021	STOP DISK 20,2/28/2,1	X
14	60033040022	STOP DISK 20,2/28/2,2	X

086123330 / C086123330

\* NEW PART

X AS REQUIRED

# TRANSMISSION II - COUNTERSHAFT

1190 RC8 2008

#9 ENTHALTEN IM DICHTSATZ MOTOR KPL.  
INCLUDED IN GASKET-SET ENGINE CPL.

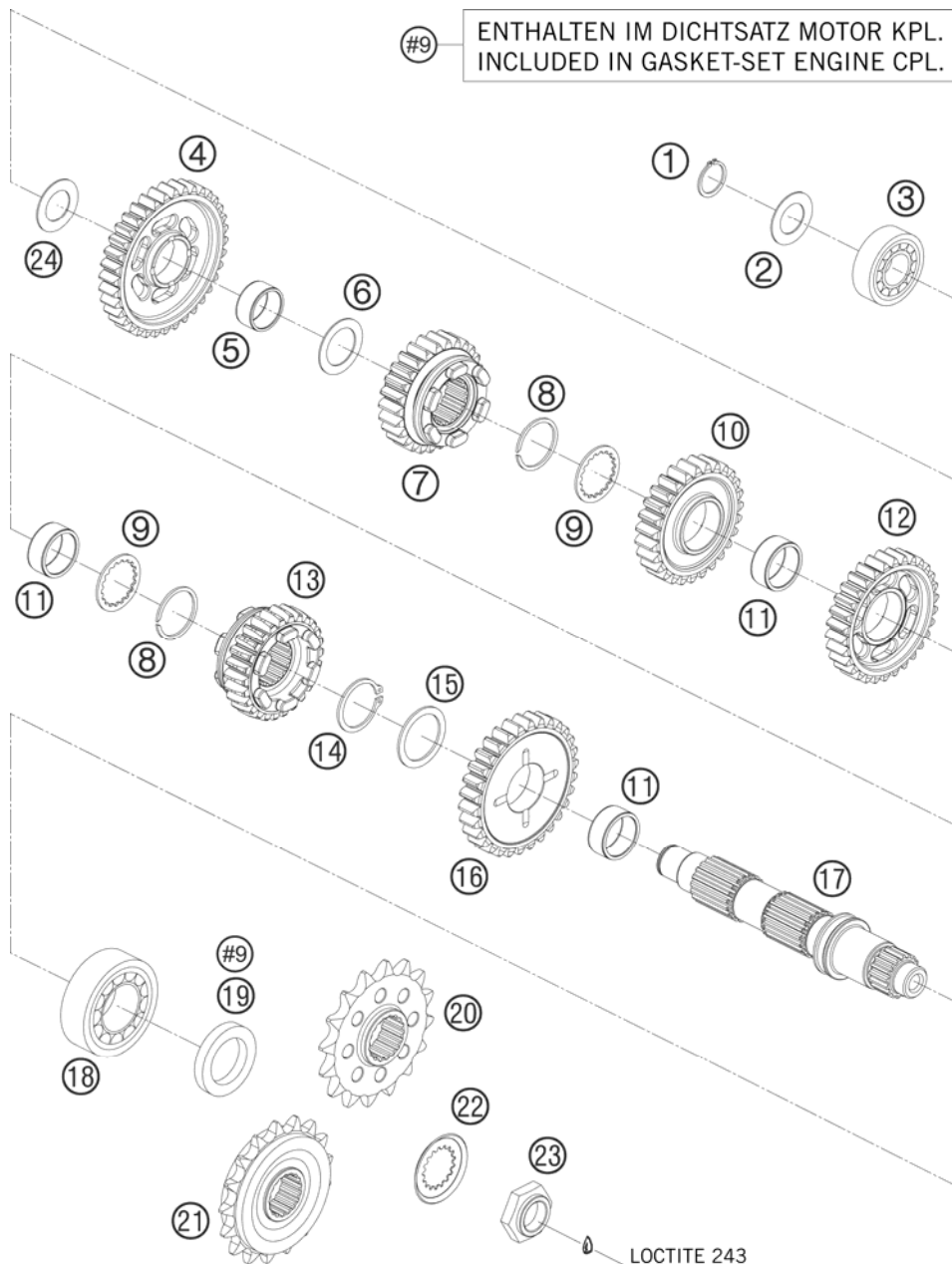


FIG	PART NUMBER	DESCRIPTION	QTY
1	0471200120	CIRCLIP DIN471 20X1,2	1
2	60033040010	STOP DISK 20,2X28X1,0	x
2	60033040011	STOP DISK 20,2X28X1,1	x
2	60033040012	STOP DISK 20,2X28X1,2	x
2	60033040013	STOP DISK 20,2X28X1,3	x
2	60033040014	STOP DISK 20,2X28X1,4	x
2	60033040015	STOP DISK 20,2X28X1,5	x
3	0625062043	BALL BEARING 6204 J1 C3	1
4	61233011000	IDLER GEAR 1.G	1
5	0405242813	NEEDLE BEAR. K 24X28X13 TN	1
6	60033044000	STOP DISK 24,3/35,75/1	1
7	61233015000	SLIDING GEAR 5.G	1
8	0417290151	LOCK RING WS30	2
9	61233045000	STOP DISK 27/36/1,5	2
10	61233014000	IDLER GEAR 4.G	1
11	0405263113	NEEDLE BEAR. K 26-31-13	3
12	61233013000	IDLER GEAR 3.G	1
13	61233016000	SLIDING GEAR 6.G	1
14	0471300151	CIRCLIP DIN0471-30X1,5 NIRO	1
15	61233046000	STOP DISK 29,9/39/1,5	1
16	61233012000	IDLER GEAR 2.G	1
17	61233010000	COUNTER SHAFT 08	1
18	50330082000	CYL.ROLLER BEAR.NJ206 ET2XCS46	1
19	0760304772	SH.SEAL RING 30X47X7 BSL VITON	1
20	60033029016	CHAIN SPROCKET 16-T 03	x
20	60033029017	CHAIN SPROCKET 17-T 03	x
21	60033129017	CHAIN SPROCKET 17-T DAMPED 03	x
22	60033034000	SECURING PLATE TOOTHED 03	1
23	60033035000	HEXAGON NUT M20X1,5 03	1
24	60033043000	STOP DISK 20,2 X 34 X 1	1

086123360 / C086123360

\* NEW PART

X AS REQUIRED

# SHIFTING MECHANISM

1190 RC8 2008

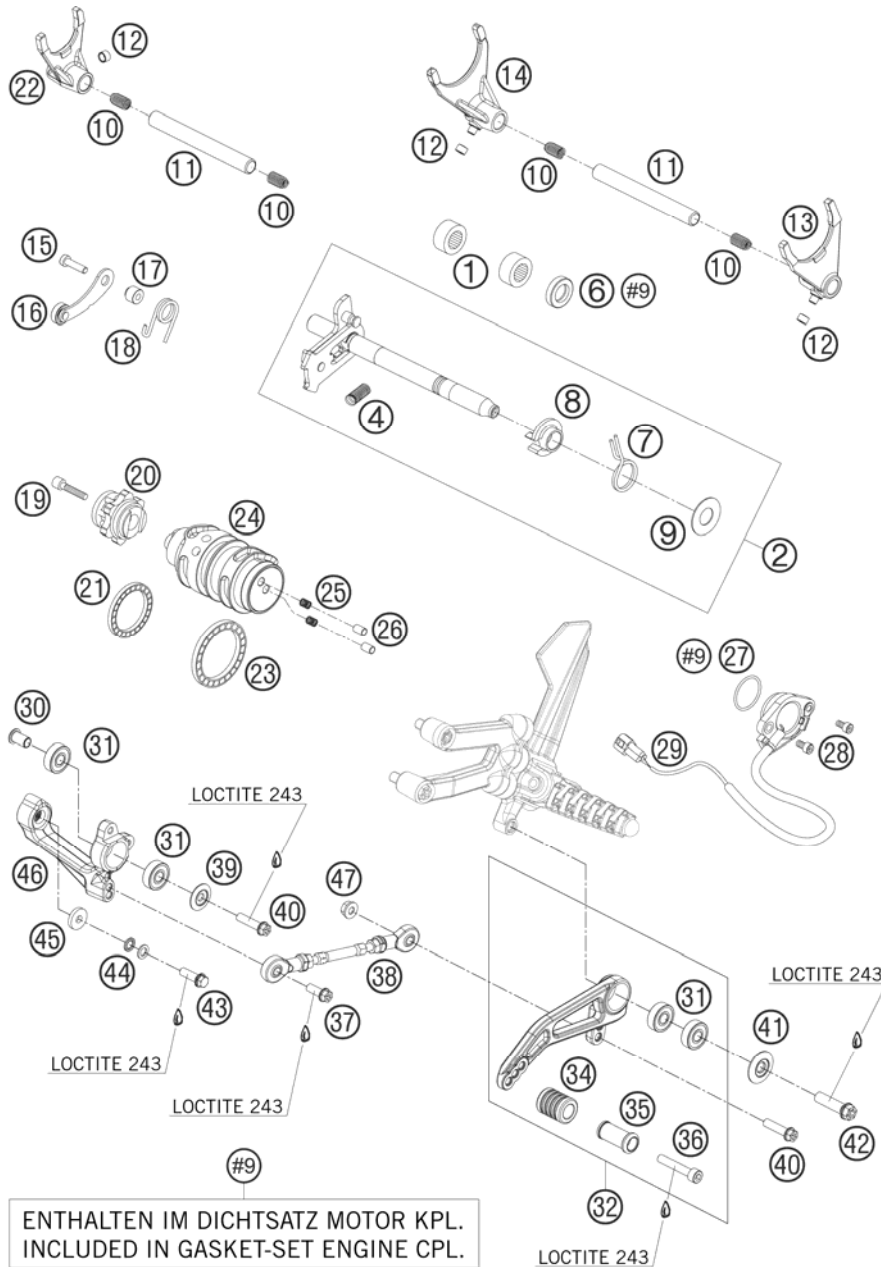


FIG	PART NUMBER	DESCRIPTION	QTY
1	54632095000	NEEDLE BEAR.HK 1412 14X20X12	2
2	61234005044	SHIFT SHAFT CPL. 08	1
4	56534013100	TENSIONING SPRING 0,8MM	1
6	0760142460	SHAFT SEAL RING 14X24X6 B	1
7	54634014100	RETURN SPRING 2,2MM '95	1
8	54634020000	SPRING GUIDE	1
9	54634050000	STOP DISK 14X30X1	1
10	58038023200	PRESSURE SPRING 0,9MM	4
11	59034020000	SHIFT RAIL 11,8X105MM	2
12	50334018100	SHIFTING ROLLER 6X8X5,2	3
13	61234002000	SHIFTING FORK 08	1
14	61234001000	SHIFTING FORK 08	1
15	0014060203	HH COLLAR SCREW M 6X20 WS=8	1
16	75034024044	LOCKING LEVER CPL. 07	1
17	75034052000	SLEEVE FOR LOCKING LEVER 07	1
18	60034023000	ARRESTING LEVER SPRING 03	1
19	0012060303	AH SCREW DIN6912 M6X30 8.8	1
20	61234015044	SHIFT DRUM LOCATING CPL. 08	1
21	0625618050	BALL BEARING 61805 C3	1
22	61234003000	SHIFTING FORK 08	1
23	0625068080	GROOVED BALL BEARING 6808 JRC3	1
24	61234012000	SHIFT ROLLER CPL. 08	1
25	60034014000	CONTACT SPRING 03	2
26	60034037000	CONTACT BOLT 03	2
27	0770275025	O-RING 27,5X2,5 NBR	1
28	0912060123	AH SCREW DIN0912-M 6X12	2
29	60011023100	GEAR-POSITION SENSOR 06	1
30	69034040000	COLLAR BUSHING 6X8X12X9	1
31	0625006087	GROOVED BALL BEAR. 608 2RS C3	4
32	69034031044	SHIFTING LEVER CPL.	1
34	61034035000	RUBBER FOR SHIFT LEVER 05	1
35	69034032000	STEP PLATE SHIFTING LEVER	1
36	0912060353	AH SCREW DIN0912-M 6X35	1
37	0025060166S	HH COLLAR SCREW M6X16 ISA 30	1
38	69034036044	SHIFT ROD CPL.	1
39	69034041000	SPECIAL WASHER 6,4X21,4X2,6	1

086123410 / C086123410

\* NEW PART

X AS REQUIRED

# SHIFTING MECHANISM

1190 RC8 2008

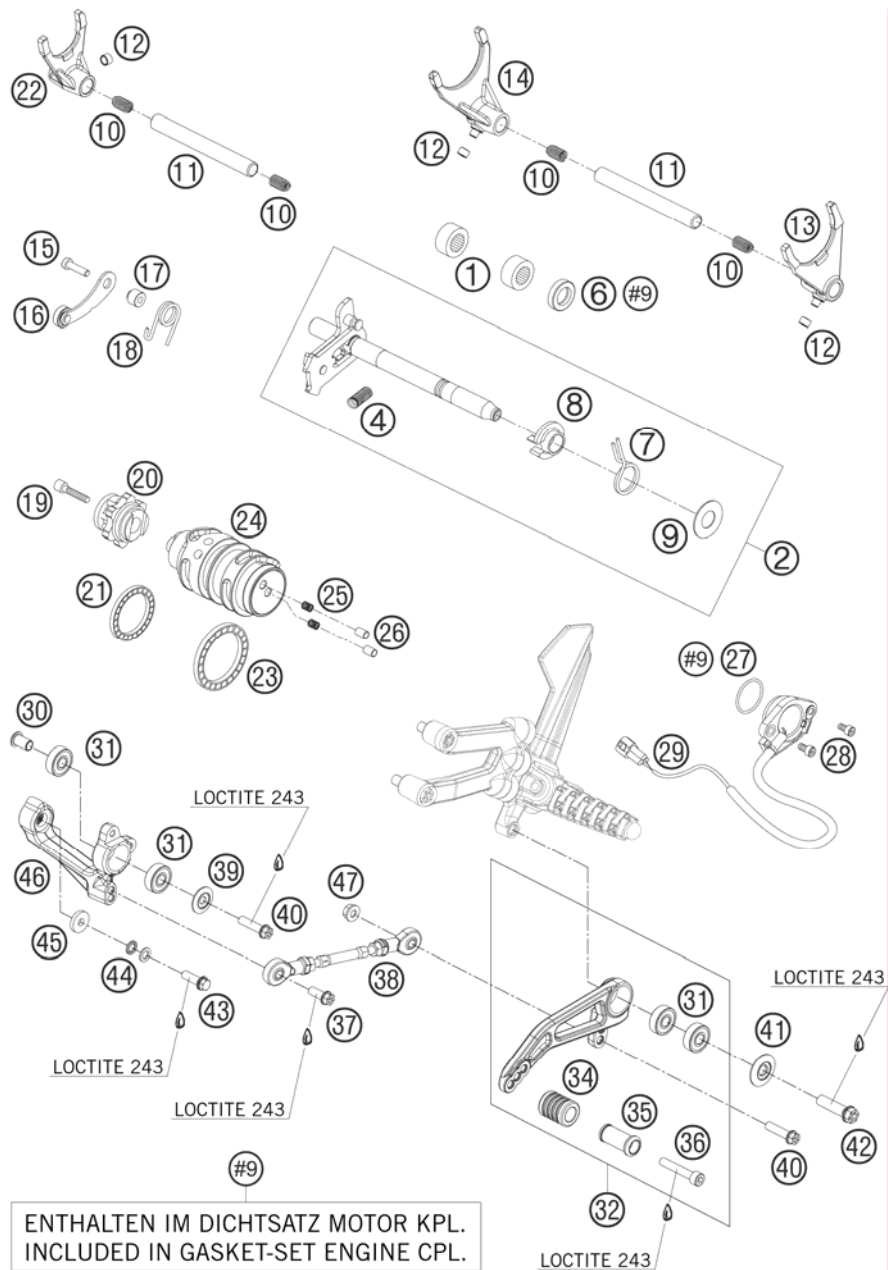


FIG	PART NUMBER	DESCRIPTION	QTY
40	0025060256	HH COLLAR SCREW M6X25 TX30	2
41	6900303801001	SPECIAL WASHER D=26X3 ALU ELO.	1
42	0025080306S	HH COLLAR SCREW M8X30 TX40	1
43	59009062019	SPECIAL SCREW M6X19 WS=8 10.9	1
44	50233041000	PAIR OF WASHERS M 6 NORDLOCK	1
45	50232050001	STEEL WASHER 6,4X17X3	1
46	6903403000001S	RESERVE GEAR CHANGE KIT 08	1
47	56509064100	SELF LOCKING NUT M6 10.9	1

086123410 / C086123410

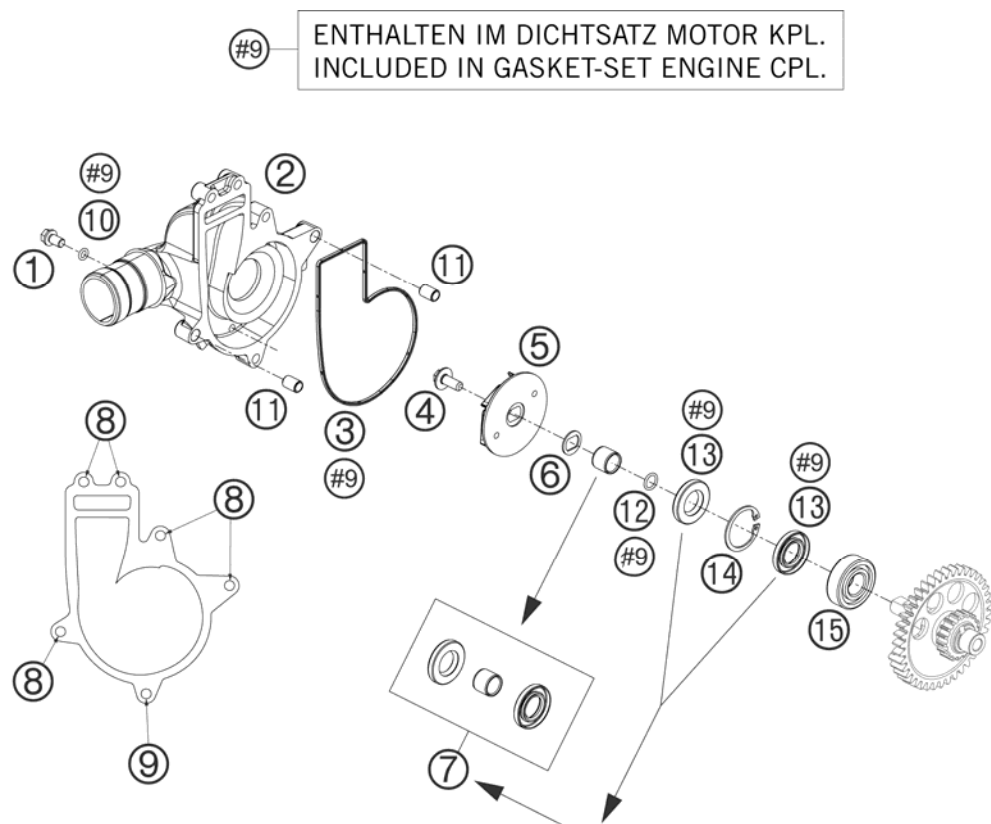
\* NEW PART

X AS REQUIRED



# WATER PUMP

1190 RC8 2008



#9 ENTHALTEN IM DICHTSATZ MOTOR KPL.  
INCLUDED IN GASKET-SET ENGINE CPL.

**ACHTUNG !!!**  
Mit den Wellendichtringen auch die Verschleissbuchse wechseln.

**CAUTION !!!**  
With the shaft seal rings also change the wear bushing.

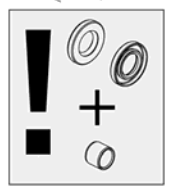


FIG	PART NUMBER	DESCRIPTION	QTY
1	0015060103	HH COLLAR SCREW M 6X10 WS=8	1
2	61235052000	WATER PUMP COVER 08	1
3	61235061000	MOLDED RING WATER PUMP COV. 08	1
4	0014060133	HH COLLAR SCREW M 6X13 WS=8	1
5	61235055000	WATER PUMP ROTOR 08	1
6	60035055150	FORM WASHER 16X1 NIRO 03	1
7	61235065044	WEAR BUSHING WITH SEAL RING	1
8	0015060453	HH COLLAR SCREW M 6X45 WS=8	5
9	0015060253	HH COLLAR SCREW M 6X25 WS=8	1
10	0770050012	O-RING 5,0X1,2 NBR 70	1
11	59030023000	DOWEL 6X8X11,5	2
12	0770090015	O-RING 9X1,5 NBR	1
13	0760153045	SHAFT SEAL RING 15/30/4,5 BAUD	2
14	04720300121	CIRCLIP DIN0472-30X1,2 NIRO	1
15	0412153511	CYL.ROLLER BEAR. NJ202 ECP C3	1

086123510 / C086123510

\* NEW PART

X AS REQUIRED



# COOLING SYSTEM

1190 RC8 2008

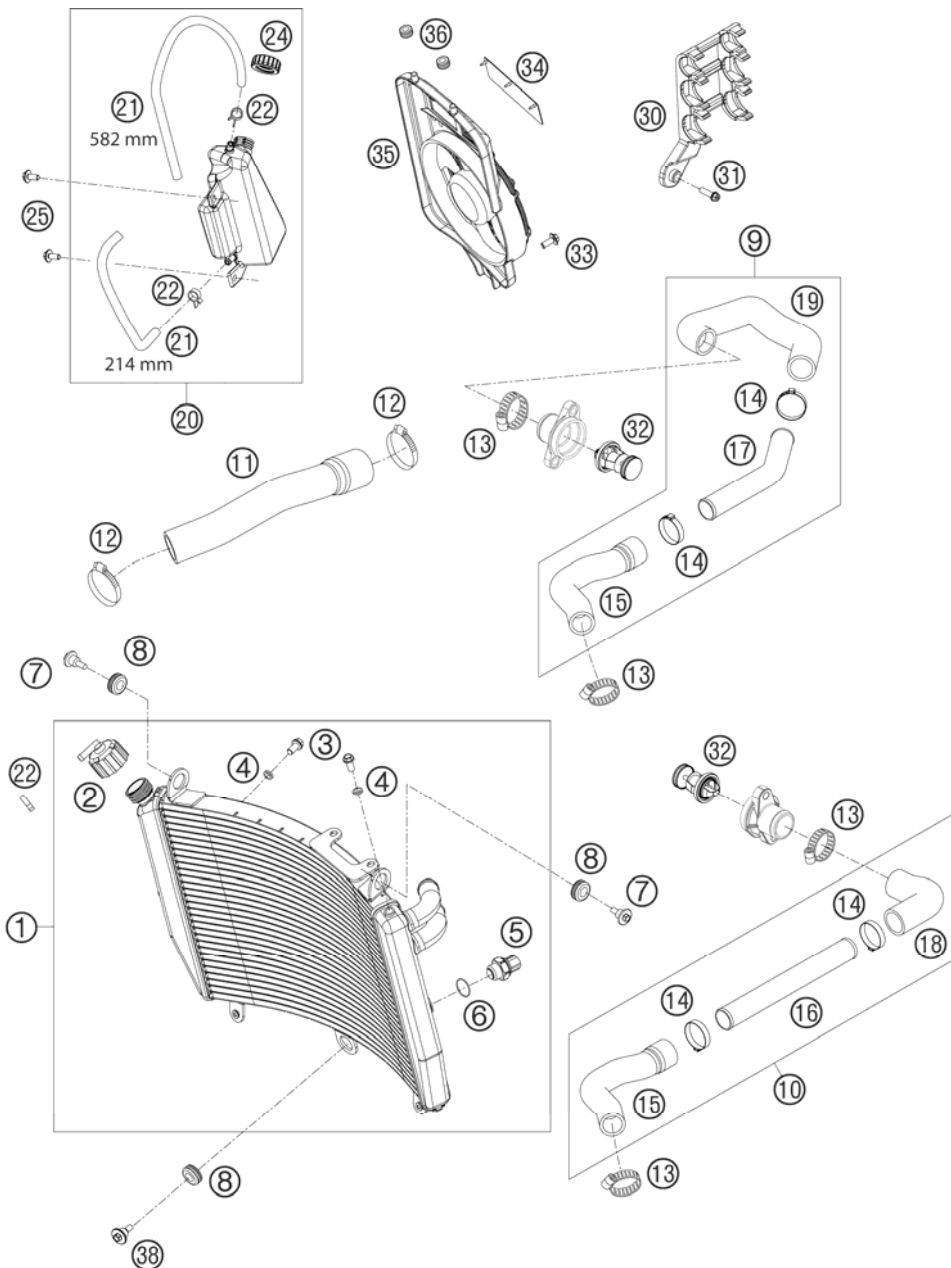


FIG	PART NUMBER	DESCRIPTION	QTY
1	69035010000	COOLER "VW1585" CPL. 08	1
2	62535009000	RADIATOR CAP 1,4 BAR	1
3	0025060126	HH COLLAR SCREW M6X12 TX30	2
4	0125060003	WASHER DIN0125-A 6,4	2
5	60035045000	THERMOSWITCH LC8 102DG '03	1
6	0770017015	O-RING 17X1,5 NB75	1
7	60035001000	SCREW RADIATOR BRACKET M6 03	2
8	41001052000	RUBBER SLEEVE D=12MM	3
9	69035091000	RADIATOR HOSE CPL. CYL.-FRONT	1
10	69035092000	RADIATOR HOSE CPL. CYL.-REAR	1
11	69035023000	PREFORMED HOSE COOLER/WAPU 08	1
12	54305058000	HOSE CLAMP 30-45 SGT	2
13	76235028000	HOSE CLAMP GEMI 20-32 MM	4
14	00050331706	VARIABLE ONE-EAR CLAMP 33,1MM	4
15	69035024000	PREFORMED HOSE COOLER INLET 08	2
16	69035028000	WATER PIPE CYL. REAR 08	1
17	69035027000	WATER PIPE CYL. FRONT 08	1
18	69035026000	PREFORMED HOSE CYL. REAR 08	1
19	69035025000	PREFORMED HOSE CYL. FRONT 08	1
20	69035065000	EXPANSION TANK CPL.	1
21	60035067001	HOSE 6X10 EPDM 03	x
22	58007117000	YDNAC-CLAMP 10107 10MM	3
24	60035066000	PLUG F. EXPANSION TANK	1
25	0024060136	HH COLLAR SCREW M6X13 TX30	2
30	69035030000	HOSE CLAMP 19/25 CPL. 08	1
31	0014060253	HH COLLAR SCREW M 6X25 WS=8	1
32	61235017000	THERMOSTAT 70 DEGREE	2
33	0024060156	HH COLLAR SCREW M6X15 TX30	1
34	62635044050	FAN CLACK RUBBER 08	1
35	69035044000	FAN COWL WITH FAN 08	1
36	31008060000	RUBBER SLEEVE D=8MM OPEN	2
38	69008021060	SPECIAL SCREW M5X17	1

086123530 / C086123530

\* NEW PART

X AS REQUIRED

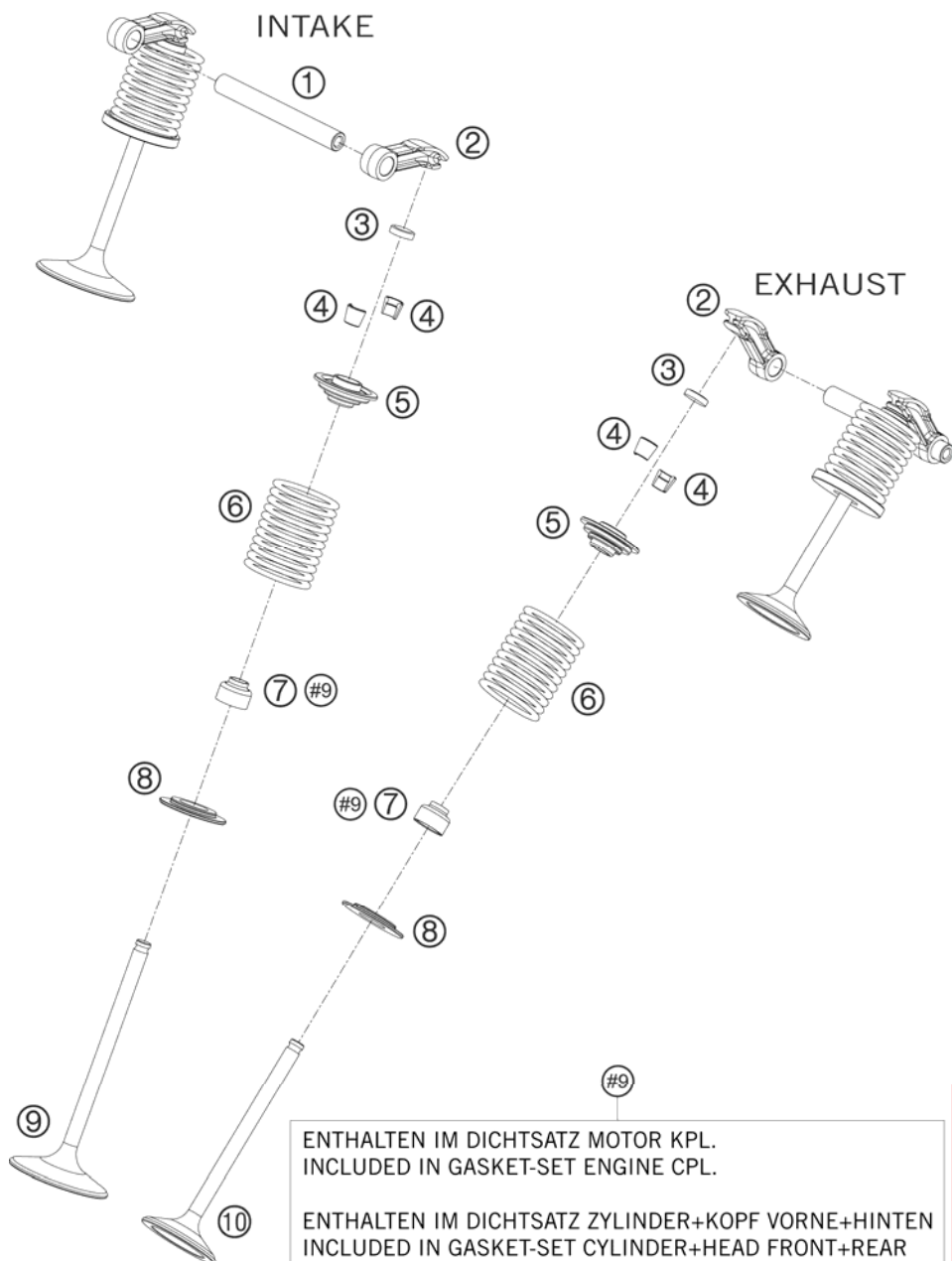


FIG	PART NUMBER	DESCRIPTION	QTY
1	61236056000	VALVE LEVER SHAFT 08	4
2	61236060000	VALVE LEVER 08	8
3	60036035200	SHIM D=10/2,00	x
3	60036035205	SHIM D=10/2,05	x
3	60036035210	SHIM D=10/2,10	x
3	60036035215	SHIM D=10/2,15	x
3	60036035220	SHIM D=10/2,20	x
3	60036035225	SHIM D=10/2,25	x
3	60036035230	SHIM D=10/2,30	x
3	60036035235	SHIM D=10/2,35	x
3	60036035240	SHIM D=10/2,40	x
3	60036035245	SHIM D=10/2,45	x
3	60036035250	SHIM D=10/2,50	x
3	60036035255	SHIM D=10/2,55	x
3	60036035260	SHIM D=10/2,60	x
3	60036035265	SHIM D=10/2,65	x
3	60036035270	SHIM D=10/2,70	x
3	60036035275	SHIM D=10/2,75	x
3	60036035280	SHIM D=10/2,80	x
3	60036035285	SHIM D=10/2,85	x
3	60036035290	SHIM D=10/2,90	x
3	60036035295	SHIM D=10/2,95	x
3	60036035300	SHIM D=10/3,00	x
3	60036035305	SHIM D=10/3,05	x
3	60036035310	SHIM D=10/3,10	x
3	60036035315	SHIM D=10/3,15	x
3	60036035320	SHIM D=10/3,20	x
4	78036033000	VALVE COLLET LK 6H	16
5	61236032100	VALVE SPRING RETAINER	8
6	61236028100	VALVE SPRING NHK	8
7	59036027000	VALVE-STEM SEALING RACING	8
8	61236036100	VALVE SPRING HOLDER	8
9	61236030000	INTAKE VALVE D=42/6 (TI) 08	4
10	61236031000	EXHAUST VALVE D=34/6 (ST) 08	4

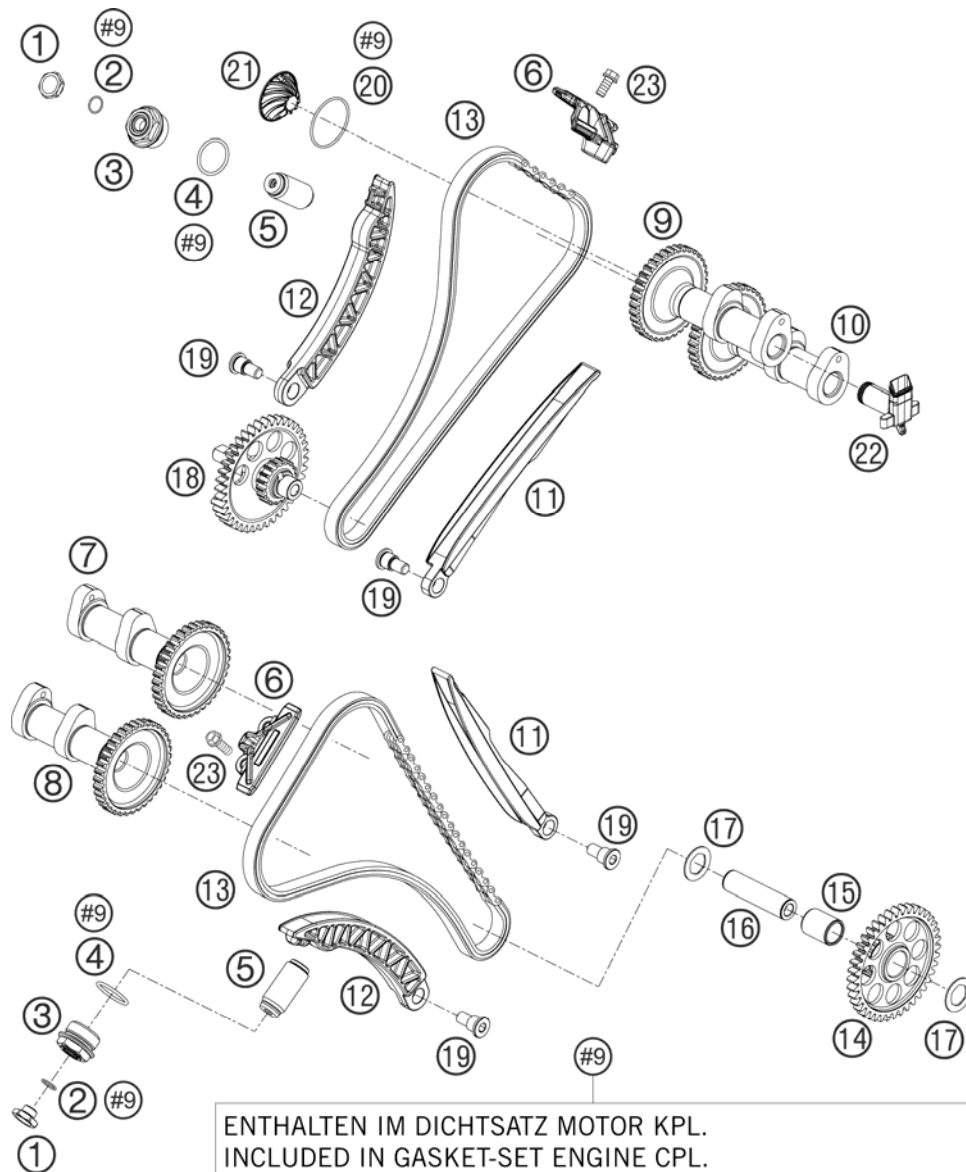
086123610 / C086123610

\* NEW PART

X AS REQUIRED

# TIMING VALVE

1190 RC8 2008



ENTHALTEN IM DICHTSATZ MOTOR KPL.  
INCLUDED IN GASKET-SET ENGINE CPL.

ENTHALTEN IM DICHTSATZ ZYLINDER+KOPF VORNE+HINTEN  
INCLUDED IN GASKET-SET CYLINDER+HEAD FRONT+REAR

FIG	PART NUMBER	DESCRIPTION	QTY
1	77336008010	HOLDING BOLT	2
2	0770010010	O-RING 10,00X1,00 NBR 70 SH	2
3	61236008100	SCR. PLUG TIM. CHAIN TENS. CPL	2
4	0770220020	O-RING 22,00X2,00 B70	2
5	77036003000	CHAIN ADJUSTER HYD.	05
6	61236005000	GUIDE RAIL TOP	08
7	61236009000	CAMSHAFT INTAKE	08
8	61236010000	CAMSHAFT EXHAUST	08
9	61236109000	CAMSHAFT INTAKE	08
10	61236110000	CAMSHAFT EXHAUST	08
11	61236001000	GUIDE RAIL	08
12	61236002000	TENSIONER RAIL	08
13	61236013000	TIMING CHAIN	08
14	61230057000	IDLER GEAR L/S	1
15	0405151924	NEEDLE BEARING K 15X19X24ZW	1
16	61230057050	BEARING BOLT 15X57,5	08
17	61230057060	STOP DISK 15,2X25X1	2
18	61230157000	IDLER GEAR R/S	1
19	61236002050	COLLAR SCREW	08
20	0770034015	O-RING 34X1,5 VITON	1
21	61236080100	CENTRIFUGE CONE	1
22	61236081000	ANGLE PIECE F. BREATHER SYSTEM	1
23	0015060203	HH COLLAR SCREW M 6X20 WS=8	4

086123620 / C086123620

\* NEW PART

X AS REQUIRED

# CYLINDER HEAD REAR

1190 RC8 2008

DICHTSATZ MOTOR KPL.  
ENTHÄLT DICHTSATZ ZYLINDER+KOPF VORNE+HINTEN  
GASKET-SET ENGINE CPL.  
INCL. GASKET-SET CYLINDER+HEAD FRONT+REAR

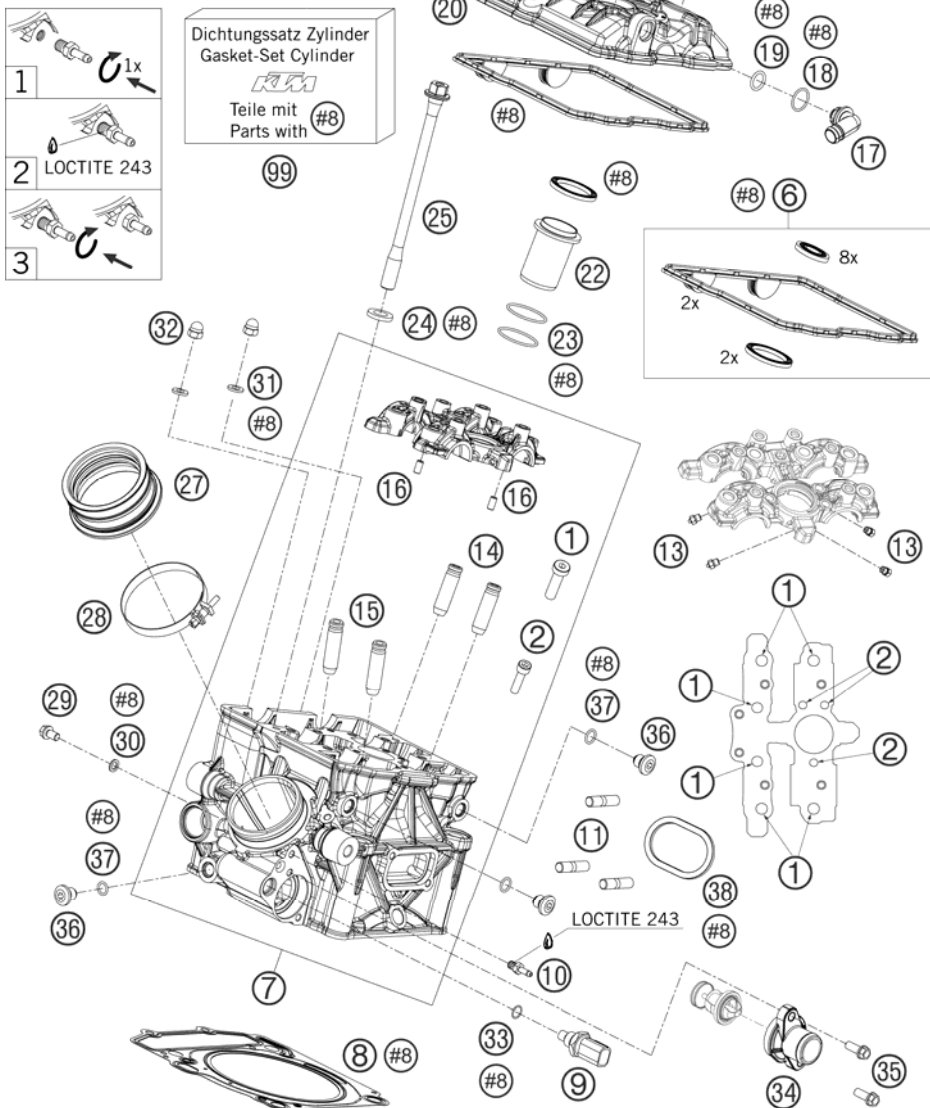


FIG	PART NUMBER	DESCRIPTION	QTY
1	0984080305	AH SCREW DIN7984-M 8X30 10.9	6
2	0912060255	AH SCREW DIN0912-M 6X25 10.9	3
6	61236099000	VALVE COVER GASKET SET	1
7	61236120000	CYL.HEAD RC8 REAR 08	1
8	61230036000	CYLINDER HEAD GASGET 08	1
9	60011252000	TEMPERAT.-SENSOR WATER LC8 02	1
10	61036023100	VACUUM CONECTION 2006	1
11	0835080165	STUD M 8X16 10.9	3
13	60030063050	OIL JET 50 05	4
14	61236026000	VALVE GUIDE EXHAUST 08	2
15	61236025000	VALVE GUIDE INTAKE 08	2
16	0402050980	NEEDLE ROLLER DIN5402 5X9,8	2
17	61236082100	CONNECTING ANGLE	1
18	0770150151	O-RING 15,00X1,50 VITON	1
19	0770120020	O-RING 12,00X2,00 NBR 70	1
20	61236152000	VALVE COVER REAR 08	1
21	60036052020	COLLAR SCREW M 6 WS=10 03	4
22	61236075000	INSERT SPARK-PLUG SHAFT 08	1
23	0770298178	O-RING 29,87X1,78 VITON	2
24	61236079050	WASHER 11,1X20X3 08	4
25	61236079000	CYLINDER HEAD SCREW 08	4
27	61236044000	RUBBERSLEEVE INTAKE FLANGE 08	1
28	61236048000	HOSE CLAMP GEMI 66 / 1	1
29	0015060103	HH COLLAR SCREW M 6X10 WS=8	1
30	0603061001	CU-SEAL RING DIN7603-6X10X1	1
31	0125060003	WASHER DIN0125-A 6,4	2
32	0587060000	CAP NUT M6 DIN1587 02	2
33	0770100020	O-RING 10,00X2,00 SILCONE	1
34	61235019100	WATER CONNECTION CPL.	1
35	0015060203	HH COLLAR SCREW M 6X20 WS=8	2
36	77336056095	SCREW PLUG	3
37	0770090015	O-RING 9X1,5 NBR	3
38	69005005000	EXHAUST PIPE FLANGE GASKET	1
99	61230097000	GASKET SET CYLINDER+HEAD F+R	1

086123640 / C086123640

\* NEW PART

X AS REQUIRED

# CYLINDER HEAD FRONT

1190 RC8 2008

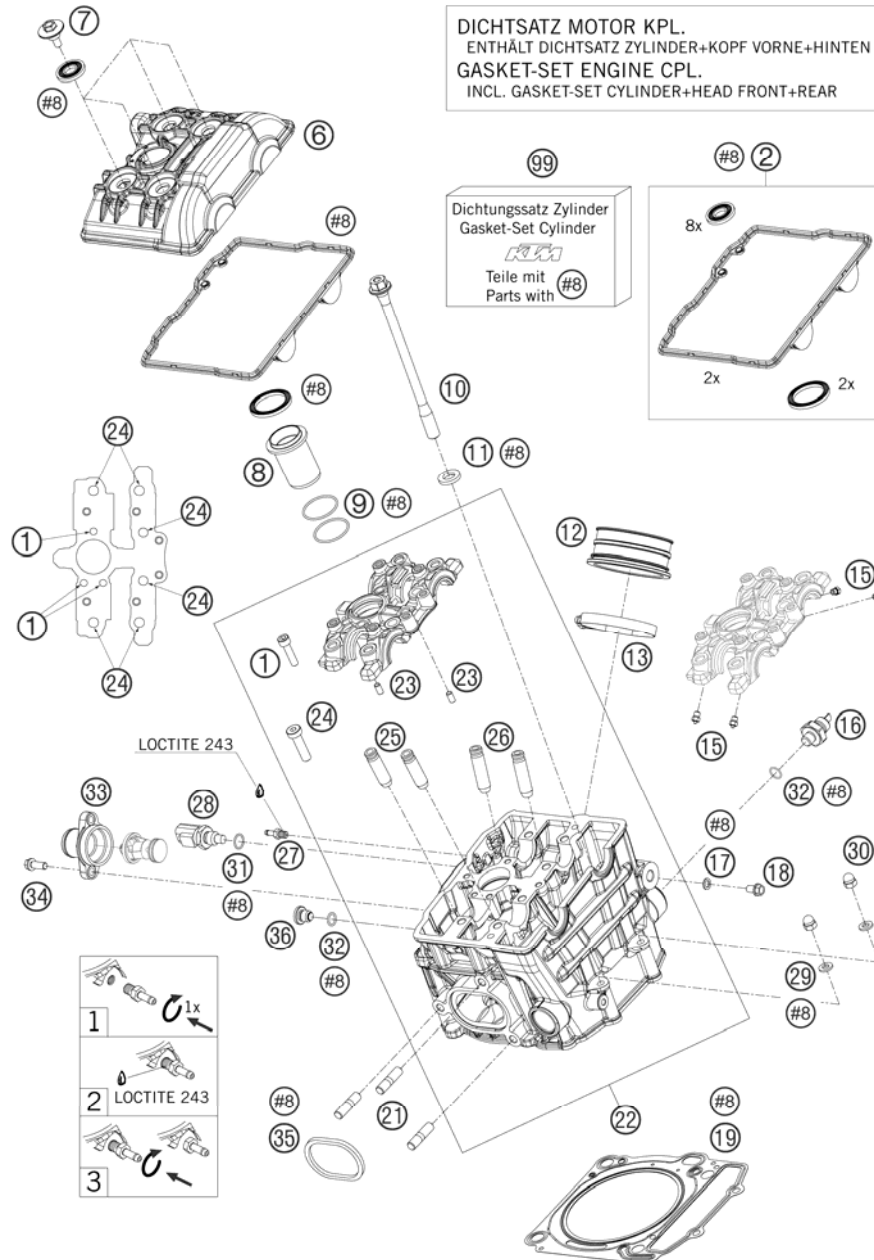


FIG	PART NUMBER	DESCRIPTION	QTY
1	0912060255	AH SCREW DIN0912-M 6X25 10.9	3
2	61236099000	VALVE COVER GASKET SET	1
6	61236052000	VALVE COVER FRONT 08	1
7	60036052020	COLLAR SCREW M 6 WS=10 03	4
8	61236075000	INSERT SPARK-PLUG SHAFT 08	1
9	0770298178	O-RING 29,87X1,78 VITON	2
10	61236079000	CYLINDER HEAD SCREW 08	4
11	61236079050	WASHER 11,1X20X3 08	4
12	61236044000	RUBBERSLEEVE INTAKE FLANGE 08	1
13	61236048000	HOSE CLAMP GEMI 66 / 1	1
15	60030063050	OIL JET 50 05	4
16	60038091100	OIL-PRESSURE SWITCH LC8 04	1
17	0603061001	CU-SEAL RING DIN7603-6X10X1	1
18	0015060103	HH COLLAR SCREW M 6X10 WS=8	1
19	61230036000	CYLINDER HEAD GASGET 08	1
21	0835080165	STUD M 8X16 10.9	3
22	61236020000	CYL.HEAD RC8 FRONT 08	1
23	0402050980	NEEDLE ROLLER DIN5402 5X9,8	2
24	0984080305	AH SCREW DIN7984-M 8X30 10.9	6
25	61236026000	VALVE GUIDE EXHAUST 08	2
26	61236025000	VALVE GUIDE INTAKE 08	2
27	61036023100	VACUUM CONECTION 2006	1
28	60011252000	TEMPERAT.-SENSOR WATER LC8 02	1
29	0125060003	WASHER DIN0125-A 6,4	2
30	0587060000	CAP NUT M6 DIN1587 02	2
31	0770100020	O-RING 10,00X2,00 SILCONE	1
32	0770090015	O-RING 9X1,5 NBR	3
33	61235019100	WATER CONNECTION CPL.	1
34	0015060203	HH COLLAR SCREW M 6X20 WS=8	2
35	69005005000	EXHAUST PIPE FLANGE GASKET	1
36	77336056095	SCREW PLUG	2
99	61230097000	GASKET SET CYLINDER+HEAD F+R	1

086123650 / C086123650

\* NEW PART

X AS REQUIRED



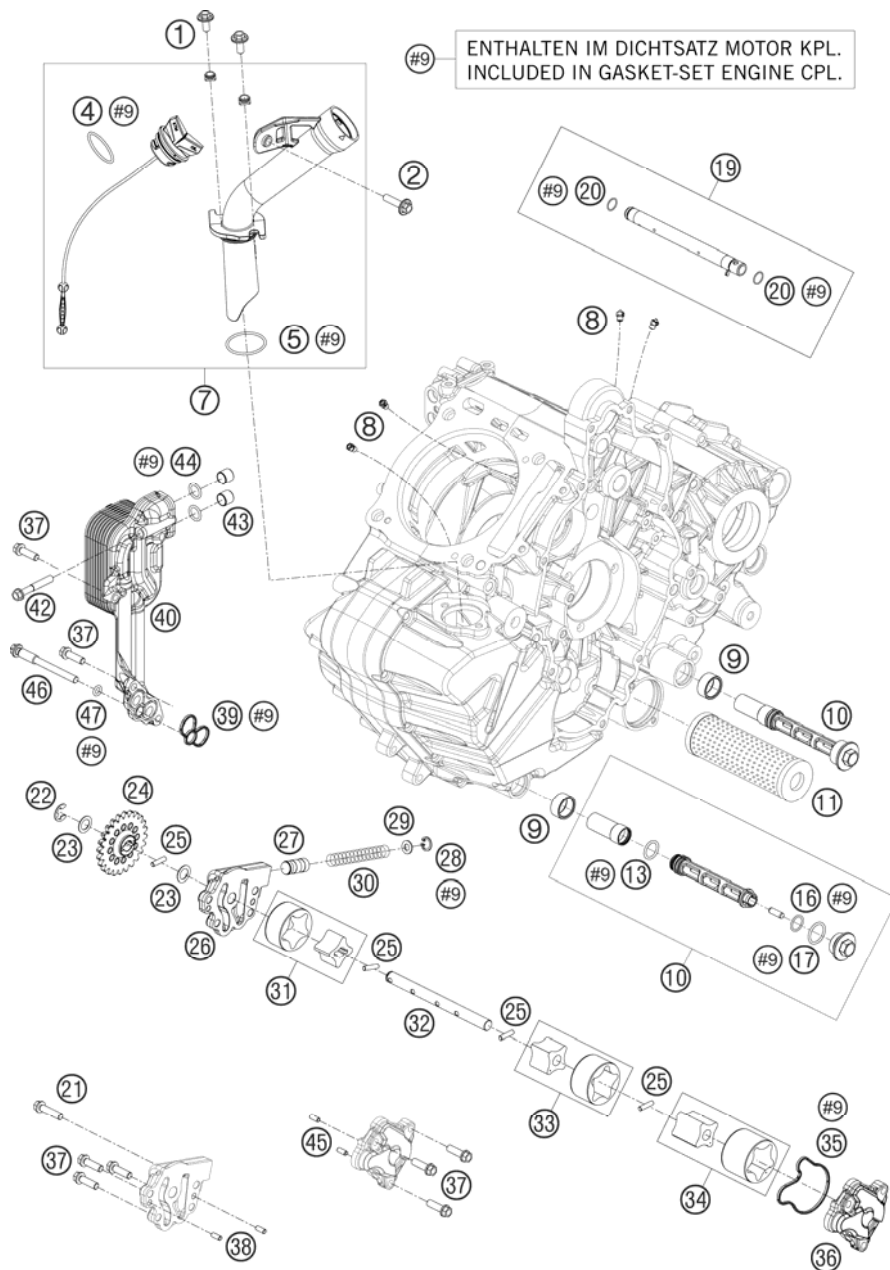


FIG	PART NUMBER	DESCRIPTION	QTY
1	0014060153	HH COLLAR SCREW M 6X15 WS=8	2
2	0014060203	HH COLLAR SCREW M 6X20 WS=8	1
4	0770300020	O-RING 30X2,0 FPM	1
5	0770320020	O-RING 32,00X2,00	1
7	61238085100	OIL FILLER PLUG CPL.	1
8	60030063070	OIL JET 70 M5	4
9	61238017000	OIL SCREEN BUSHING 08	2
10	61238021000	OIL SCREEN CPL.	2
11	60038015000	OIL FILTER 03	1
13	0770140200	O-RING 14,00X2,00	2
16	0770125015	O-RING 12,5X1,5 NBR	2
17	0770170200	O-RING 17,00X2,00	2
19	61230065000	OIL INJECTION TUBE CPL. 08	1
20	0770010010	O-RING 10,00X1,00 NBR 70 SH	2
21	0015060253	HH COLLAR SCREW M 6X25 WS=8	1
22	0799080000	TAB WASHER DIN6799 RS8	1
23	60038007010	WASHER 10X16X0,5 03	2
24	60038001124	OIL PUMP GEAR 24-T	1
25	0402041580	NEEDLE ROLLER NRB 4X15,8 G2	4
26	61238009000	PRESSURE PUMP COVER 08	1
27	60038028000	CONTROL PISTON LC8 03	1
28	0472012010	CIRCLIP DIN0472 J12	1
29	0988060121	WASHER 6X12X1 HRC 40-45	1
30	61238026000	CONTROL SPRING	1
31	60038009000	ROTOR-SET 19MM 03	1
32	61238002000	OIL PUMP SHAFT 08	1
33	61238011000	ROTOR-SET 22MM 08	1
34	61238010000	ROTOR-SET 30MM 08	1
35	61238008150	MOLDED RING SUCTION PUMP COVER	1
36	61238008000	SUC. PUMP COVER CRANK CASE 08	1
37	0015060203	HH COLLAR SCREW M 6X20 WS=8	9
38	0402050980	NEEDLE ROLLER DIN5402 5X9,8	2
39	61238051000	MOLDED RING	1
40	61238050000	OIL COOLER CPL.	1
42	0015060503	HH COLLAR SCREW M 6X50 WS=8	1
43	61238052000	BUSHING	2

086123810 / C086123810

\* NEW PART

X AS REQUIRED

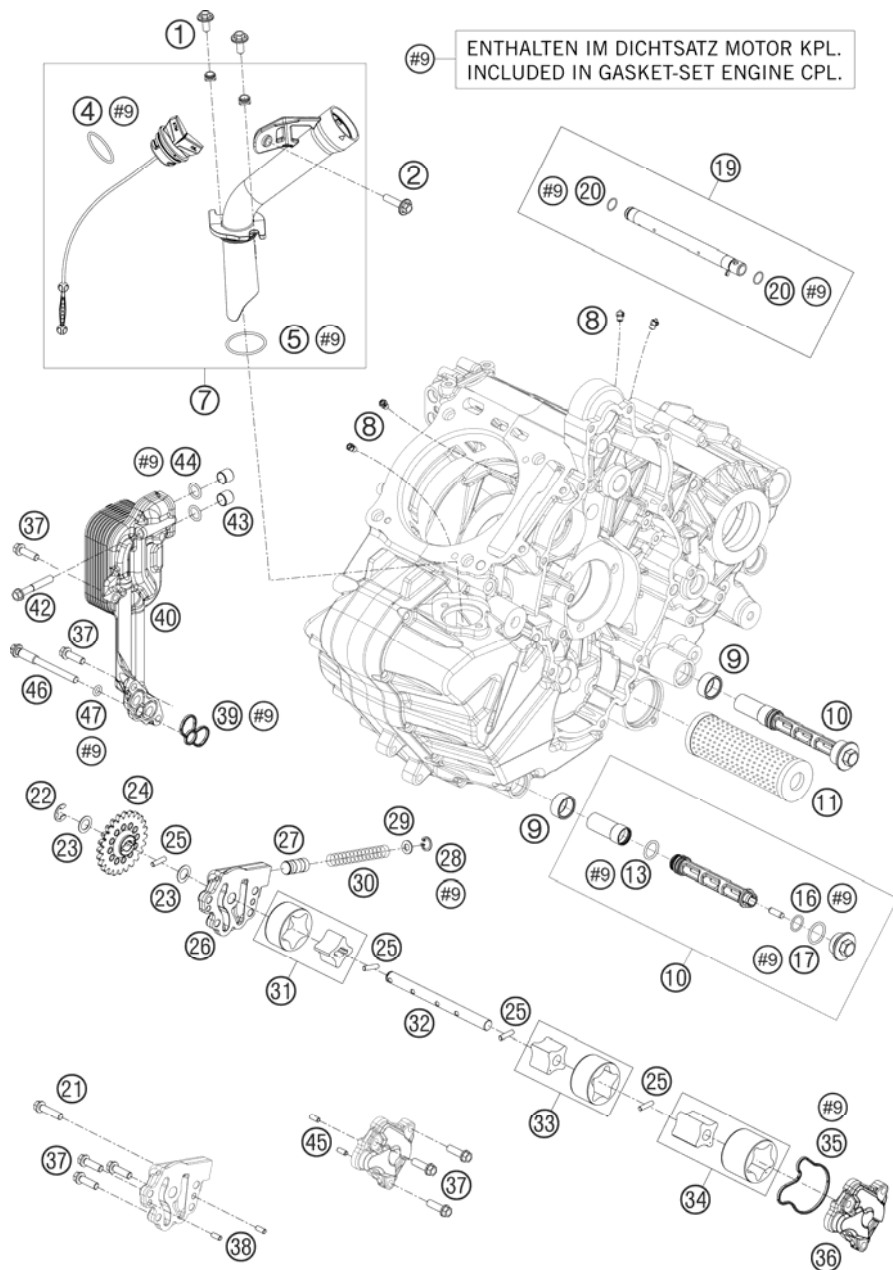


FIG	PART NUMBER	DESCRIPTION	QTY
44	0770012021	O-RING 12X2 VITON GREEN	2
45	0402040980	NEEDLE ROL.DIN5402 NRB 4X9,8	2
46	61238055000	REGULATING SCREW	1
47	0770060020	O-RING 6,00X2,00 NBR 70	1

086123810 / C086123810

\* NEW PART

X AS REQUIRED



#9 ENTHALTEN IM DICHTSATZ MOTOR KPL.  
INCLUDED IN GASKET-SET ENGINE CPL.

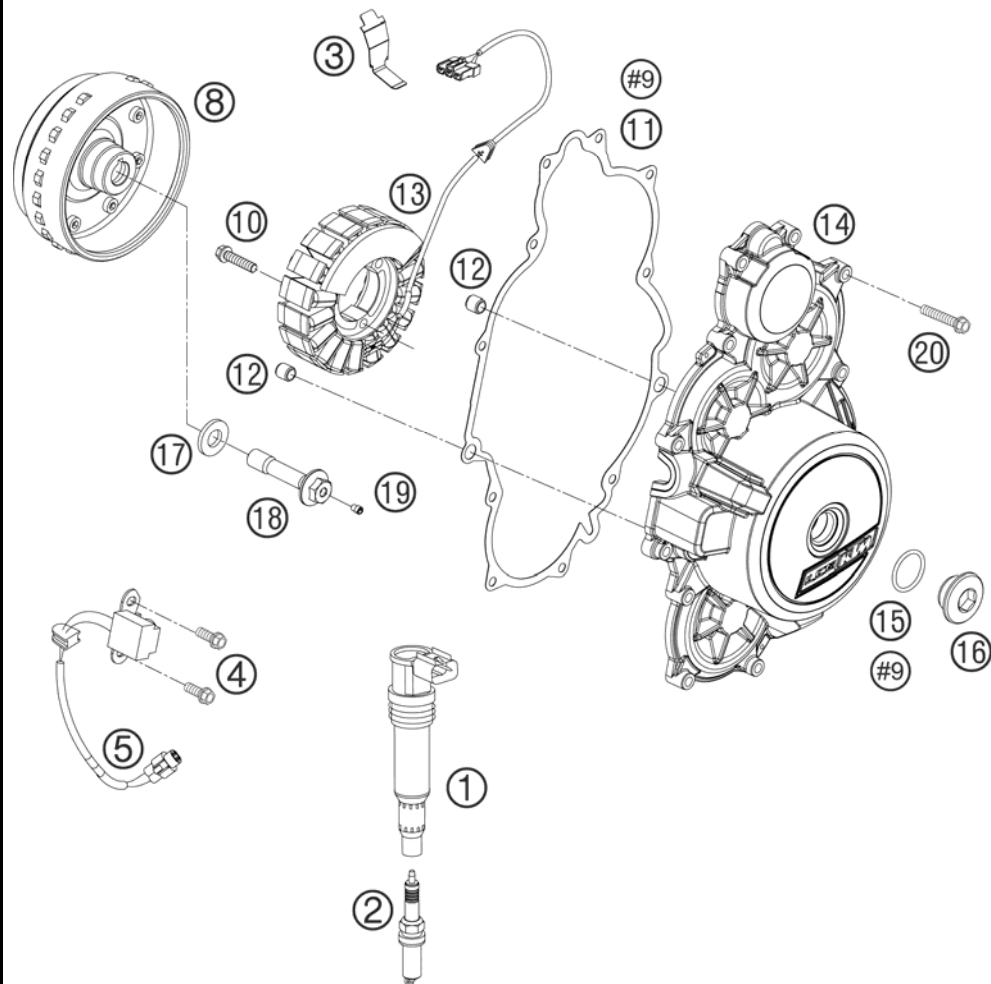


FIG	PART NUMBER	DESCRIPTION	QTY
1	60039006000	STICK COIL 03	2
2	61239093200	SPARK PLUG M12X1,25 NGK R 08	2
3	60039040020	CABLE SUPPORT GENERATOR 03	1
4	0015050163	HH COLLAR SCREW M 5X16 WS=8	2
5	59039034000	PULSER COIL KOKUSAN 4K3-A/B	1
8	61239005000	FLYWHEEL CPL. 08	1
10	0015060253	HH COLLAR SCREW M 6X25 WS=8	3
11	61230040000	IGNITION COVER GASKET 08	1
12	49030090000	DOWEL 9,8 X 7 X 10	2
13	61239004000	STATOR	1
14	61230002044	IGNITION COVER WITH BEARING	1
15	0770024025	O-RING 24X2,5 NBR	1
16	6003009400030	SCREW PLUG M24X1,5 PA 6.6	1
17	61239003050	WASHER 12,5/25/3	1
18	61239003000	SCREW M12X1,5	1
19	80030058060	OIL JET "60" M4	1
20	0015060303	HH COLLAR SCREW M 6X30 SW=8	12

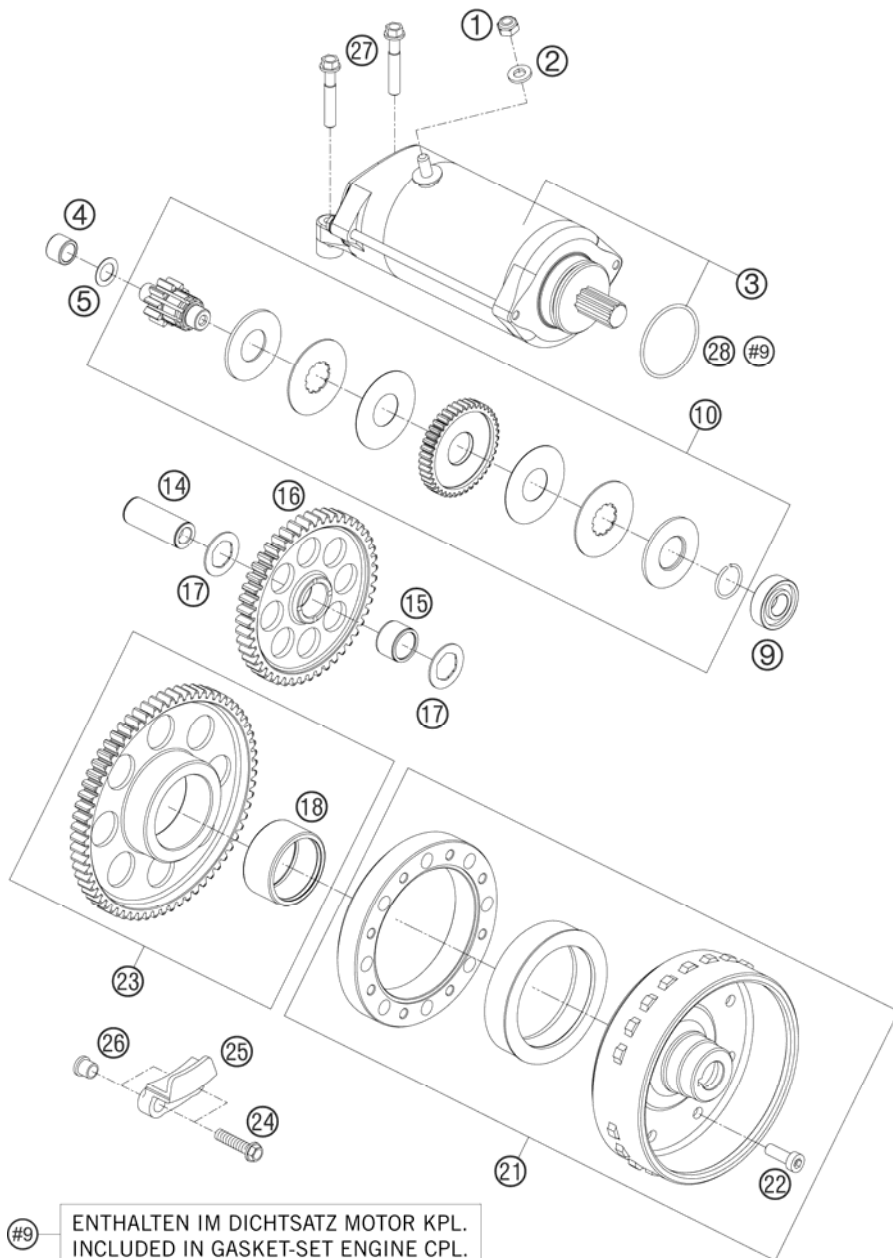
086123910 / C086123910

\* NEW PART

X AS REQUIRED

# ELECTRIC STARTER

1190 RC8 2008



#9 ENTHALTEN IM DICHTSATZ MOTOR KPL.  
INCLUDED IN GASKET-SET ENGINE CPL.

FIG	PART NUMBER	DESCRIPTION	QTY
1	0985060003	SELF LOCK. NUT DIN0985-M 6	1
2	0125060003	WASHER DIN0125-A 6,4	1
3	61240001000	E-STARTER ENGINE 9T 08	1
4	0618101410	NEEDLE SLEEVE HK 1010 10/14/10	1
5	60038007010	WASHER 10X16X0,5 03	1
9	0625060016	GROOV.BALL BEAR. 6001.2RSR C3	1
10	61240017100	TORQUE LIMITER 10/45 CPL.	1
14	61230058050	BEARING BOLT 15X39 08	1
15	0405151913	NEEDLE BEARING K 15X19X13	1
16	61240022100	INTERMEDIATE GEAR 43T	1
17	61230057060	STOP DISK 15,2X25X1	2
18	0618354220	NEEDLE BUSH HK3520 35/42/20	1
21	61239005000	FLYWHEEL CPL. 08	1
22	0984060203	AH SCREW DIN6912-M 6X20 8.8	8
23	61240020200	FREEWHEEL GEAR CPL. 66T	1
24	0015060253	HH COLLAR SCREW M 6X25 WS=8	2
25	60040027000	FREEWHEEL HOLDER 03	1
26	60040027050	SUPPORTING SLEEVE 03	2
27	0015060303	HH COLLAR SCREW M 6X30 SW=8	2
28	0770335030	O-RING 33,5X3 VITON	1

086124010 / C086124010

\* NEW PART

X AS REQUIRED

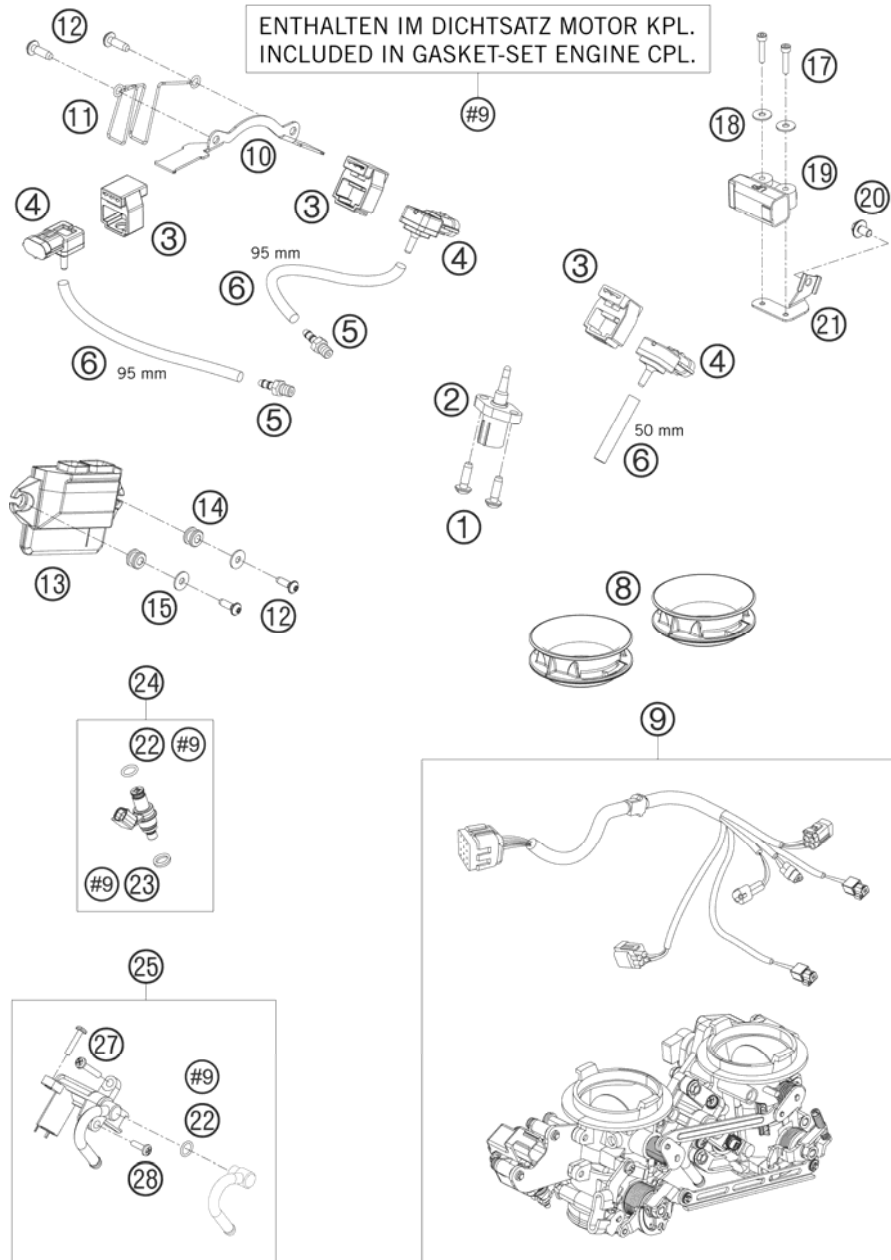


FIG	PART NUMBER	DESCRIPTION	QTY
1	0081500181	SCREW FOR PLASTIC D=5X18	2
2	61041080000	AMBIENT-AIR TEMPERATURE SENSOR	1
3	61041085150	RUBBER SUPP. PRESSURE SENS. 06	3
4	61041085100	PRESSURE SENSOR 06	3
5	61036023100	VACUUM CONECTION 2006	2
6	60031098001	HOSE 3,2X8,5 PER METER	x
8	61241040000	INTAKE TRUMPET 08	2
9	61241001000	THROTTLE BODY CPL. DK52	1
10	69006001031	SENSOR-RETAIN. PLATE AIRBOX 08	1
11	69006001032	HOLDER WIRING HARNESS REAR	1
12	0081050161	EJOT PT SCREW K50X16 1451	4
13	61041031200	TIMING CHARGER EFI 08	1
14	60039030000	VIBRATION DAMPER DIGITALBOX 03	2
15	0021050003	WASHER DIN9021-A 5,3	2
17	0912040203	AH SCREW DIN 912-M 4X20	2
18	61041088050	SHIM 4,3X15X1,25MM GALVANIZED	2
19	61041088000	ROLLOVER SENSOR 05	1
20	0024060106	HH COLLAR SCREW M6X10 TX30	1
21	69041088050	HOLDER ROLLOVER SENSOR	1
22	75041023020	O-RING	3
23	75041023010	SEAL RING	2
24	61241023044	INJECTOR CPL.	2
25	61241013044	FUEL HOSE CPL.	1
27	61241013060	SCREW SHOULDER	2
28	61241013010	SCREW SHOULDER	1

086124110 / C086124110

\* NEW PART

X AS REQUIRED











KTM-Sportmotorcycle AG  
A-5230 Mattighofen  
[www.ktm.at](http://www.ktm.at)

KTM Group Partner



3CM089850HEN



Art.Nr.: 3CM089850HEN 2/2008