

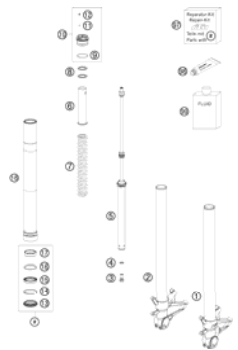
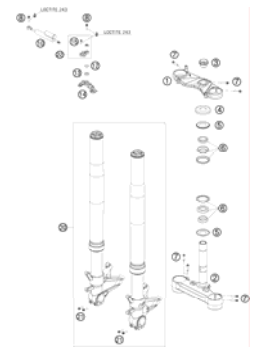
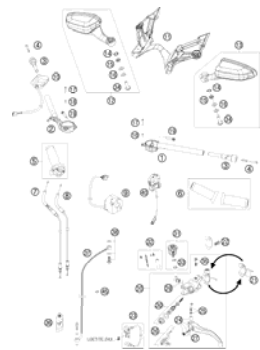

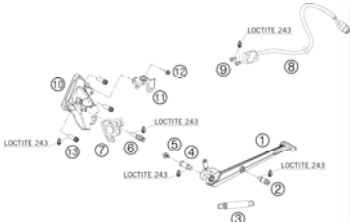
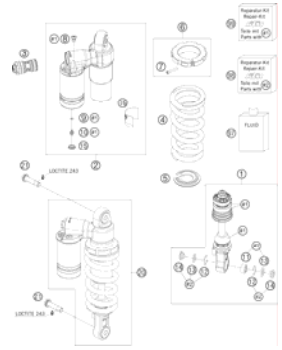
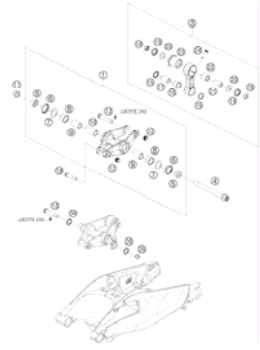
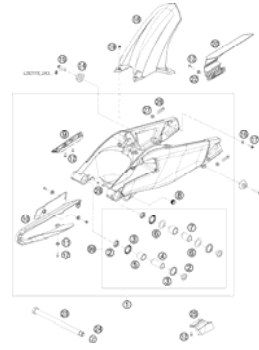
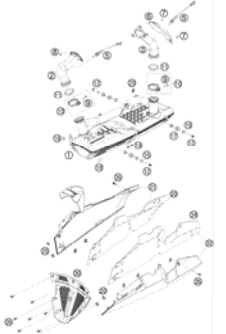
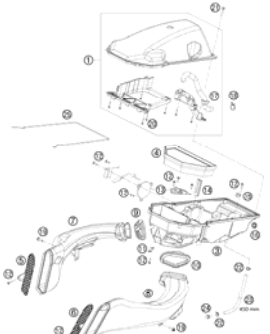

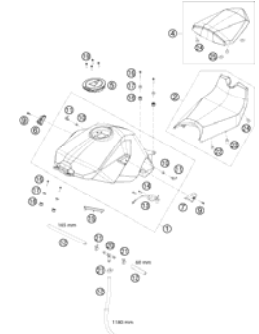
1190 RC 8 ORANGE EU 2009



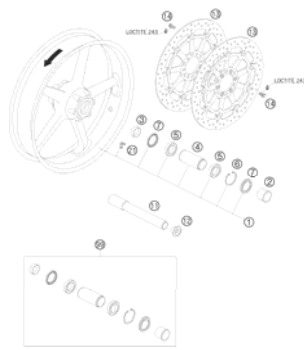
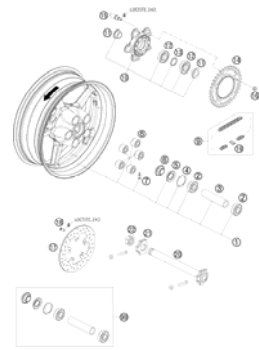

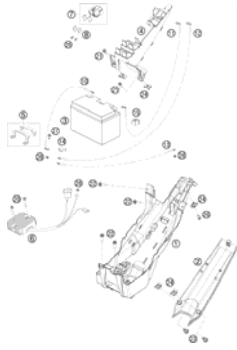
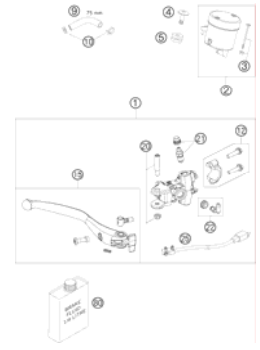
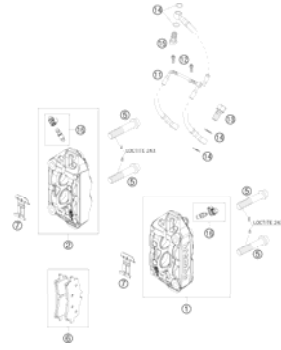

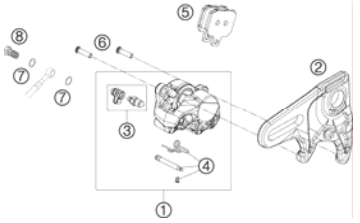
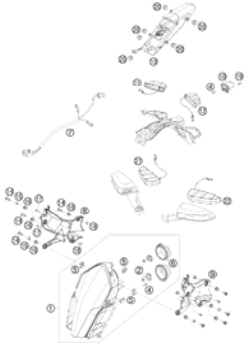
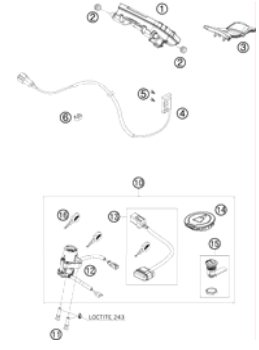
SPARE PARTS MANUAL: CHASSIS

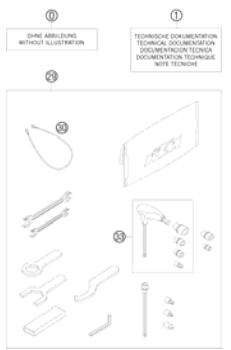
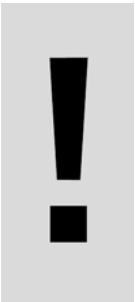
ART.NO.: 3CF990310EN

ENGLISH



<p>FRONT FORK DISASSEMBLED</p>  <p>4</p>	<p>FRONT FORK, TRIPLE CLAMP</p>  <p>5</p>	<p>HANDLEBAR, CONTROLS</p>  <p>6</p>	<p>FRAME</p>  <p>8</p>
<p>SIDE / CENTER STAND</p>  <p>10</p>	<p>MONOSHOCK</p>  <p>11</p>	<p>PRO LEVER LINKING</p>  <p>12</p>	<p>SWING ARM</p>  <p>13</p>
<p>EXHAUST SYSTEM</p>  <p>14</p>	<p>AIR FILTER</p>  <p>15</p>	<p>FUEL PUMP</p>  <p>16</p>	<p>TANK, SEAT, COVER</p>  <p>17</p>

DECAL  18	MASK, FENDERS  19	FRONT WHEEL  21	REAR WHEEL  22
WIRING HARNESS  23	BATTERY  24	HAND BRAKE CYLINDER  25	BRAKE CALIPER FRONT  26
REAR BRAKE CONTROL  27	BRAKE CALIPER REAR  28	LIGHTING SYSTEM  29	INSTRUMENTS / LOCK SYSTEM  30

<p>ACCESSORIES KIT</p>  <p>31</p>			
	 <p>All information contained is without obligation. KTM-Sportmotorcycle AG particularly reserves the right to modify any equipment, technical specifications, prices, colors, shapes, materials, services, service work, constructions, equipment and the like so as to adapt them to local conditions or to cancel any of the above items, all without previous announcement and without giving reasons. KTM may stop manufacturing certain models without previous notice. KTM shall not be held liable for any deviations of availability and/or ability to deliver, illustrations, descriptions, printing and/or other errors. The illustrated models partly contain extra equipment, which is not applied to standard models. © by KTM-SPORTMOTORCYCLE AG, Mattighofen AUSTRIA; All rights reserved; Reprint, also in extracts, with written allowance of KTM-SPORTMOTORCYCLE AG, Mattighofen only.</p>		

FRONT FORK DISASSEMBLED

1190 RC 8 ORANGE EU 2009

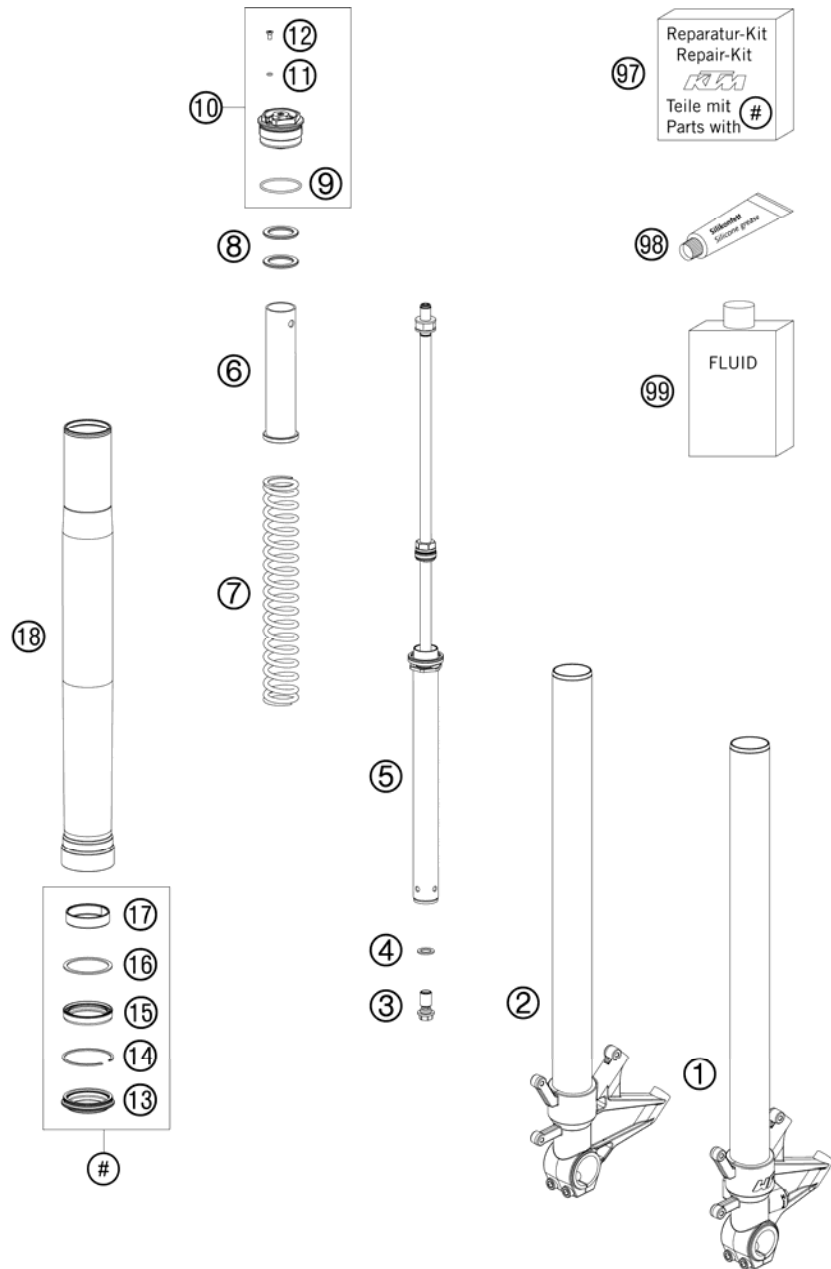


FIG	PART NUMBER	DESCRIPTION	QTY
1	43570457S1	AXLE-CLAMP L/S CPL. W. TUBE	1
2	43570456S1	AXLE-CLAMP R/S CPL. W. TUBE	1
3	48600176	BOLT M12X1 D=3	2
4	48600704	SEALING RING COPPER 12X18X1,5	2
5	43570453S	CARTRIDGE CPL. RC8	2
6	43570445S	ALU SPACER D32XD28X145 CPL.	2
7	95010034S	SPRING LINEAR SET D=4,9	x
7	95010035S	SPRING LINEAR SET D=5,0	x
8	43570133	SPACER 26X38X2,5	x
8	43570134	SPACER 26X38X5	x
8	43570135	SPACER 26X38X10	x
8	43570136	SPACER 26X38X1,5	x
9	43570023	O-RING NBR 41X2	2
10	43570447S	SCREW CAP M46X1 PA CPL.	2
11	48600046	O-RING NBR 3X1,5	2
12	48600481	VENT SCREW M4X8	2
13	43570202	DUST STRIPPER 43 X 53,4 X 11,8	2
14	43570008	LOCK WASHER SB53	2
15	43570201	OIL SEAL RING 43 X 52,9 X 9,5	2
16	43570092	SUPPORT RING 45 X 52,5 X 1,5	2
17	43570204	DU-BUSH 43X47X12 DAIDO	2
18	43570454S	OUTER TUBE 51/54 L500 2L CPL.	2
97	R510	REPAIR-KIT GASKET 4357 MXMA 03	1
98	T511	SILICONE GREASE F. DUST STRI	1
99	48600401S1	FORK OIL SAE5 5L 2005	1

086900130 / C086900130

* NEW PART

X AS REQUIRED

FRONT FORK, TRIPLE CLAMP

1190 RC 8 ORANGE EU 2009

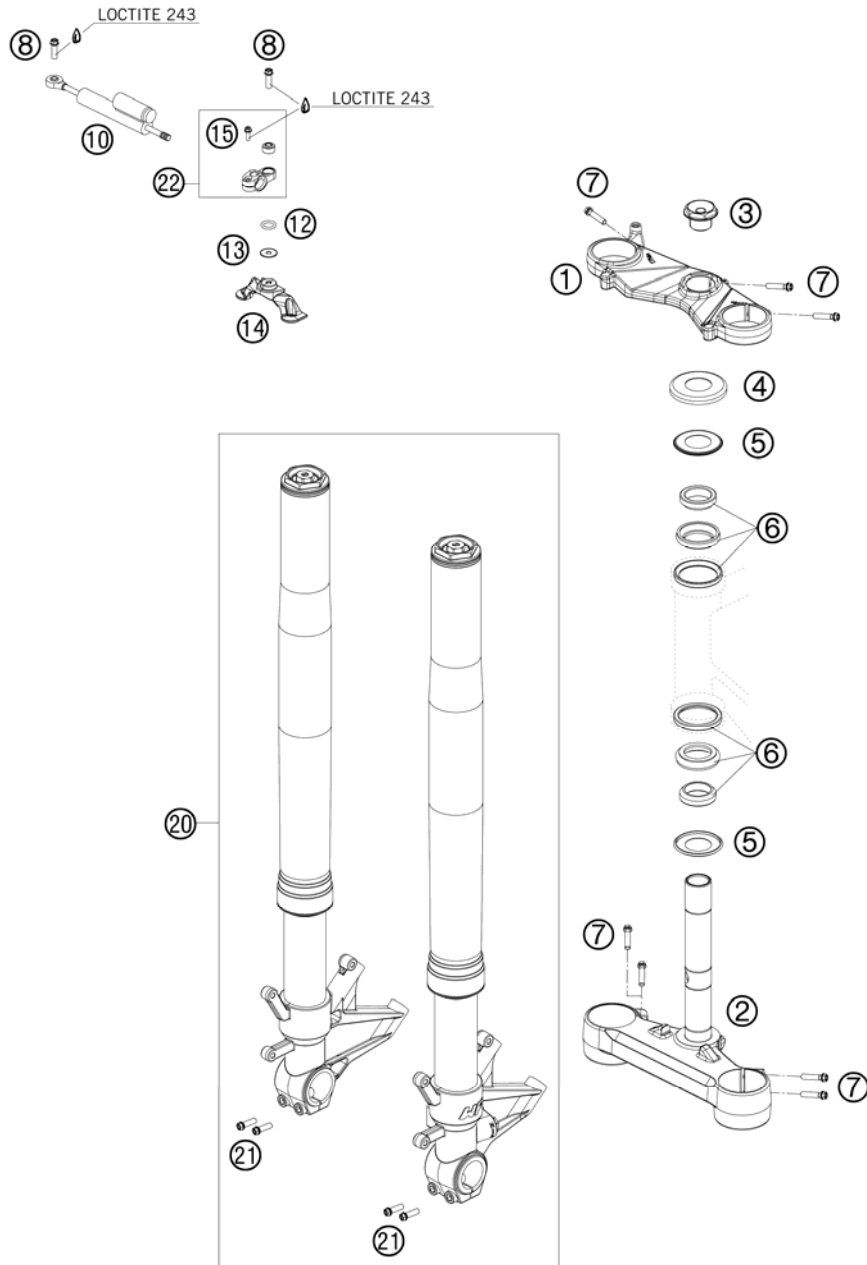


FIG	PART NUMBER	DESCRIPTION	QTY
1*	6900103403401S	TOP TRIPLE CLAMP RC8 210/34 09	1
2*	6900103203401S	BOTTOM TRIPLE CLAMP CPL. 09	1
3*	6900103600001	STEERING HEAD SCREW 09	1
4	69001086100	PROT. RING STEER. HEAD BEARING	1
5	69001084000	O-RING SUPPORT W. SEALING LIP	2
6	69001081000	STEERINGHEAD BEARING CPL.	2
7	0025080356	HH COLLAR SCREW M8X35 TX40	7
8	0025080306S	HH COLLAR SCREW M8X30 TX40	2
10	16180D01	STEERING DAMPER 1508	1
12	0770120025	O-RING 12X2,5 NBR 70	1
13	69012060060	WASHER F. STEERING DAMPER RC8	1
14*	6901200600092	STEERING DAMPER SUPPORT 09	1
15	0025050166	HH COLLAR SCREW M5X16 TX30	1
20*	05187E0701	FORK KTM RC8 2009	1
21	0025080306	HH COLLAR SCREW M8X30 TX40	4
22	15080120S	CLAMP CPL. + SCREW 08	1

086900110 / C096900110

* NEW PART

X AS REQUIRED



HANDLEBAR, CONTROLS

1190 RC 8 ORANGE EU 2009

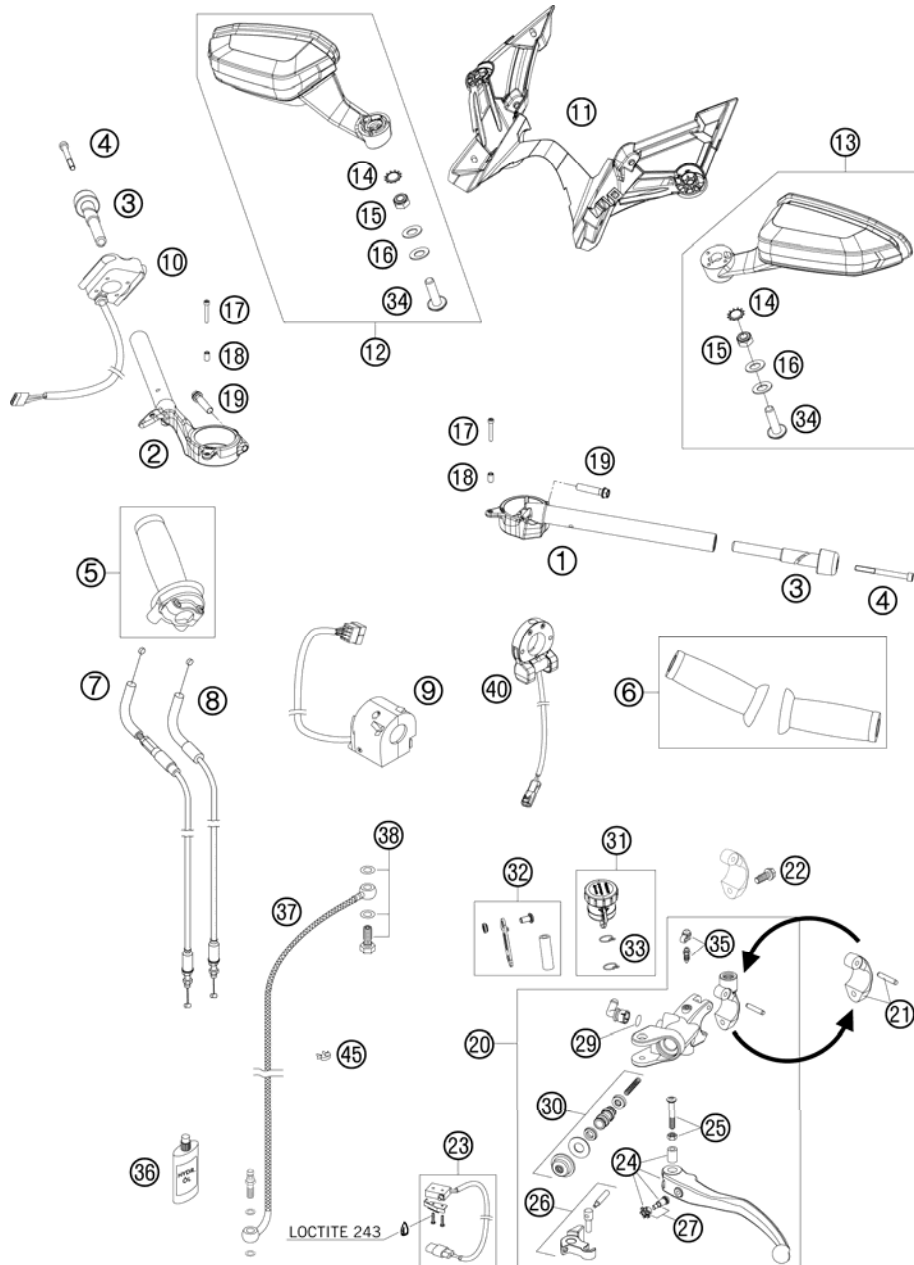


FIG	PART NUMBER	DESCRIPTION	QTY
1*	6900210100001S	CLIP-ON L/S 09	1
2*	6900220100001S	CLIP-ON R/S 09	1
3	69002004000	VIBRATION ABSORBER 08	2
4	0912060653	AH SCREW DIN0912-M 6X65	2
5	69002010000	THROTTLE GRIP CPL. 08	1
6	69002021000	GRIP-SET WITH OPEN END 08	1
7	69002091000	THROTTLE CABLE OPEN	1
8	69002092000	THROTTLE CABLE CLOSE	1
9	61011070000	LIGHT SWITCH 05	1
10	58411074100	START-STOP SWITCH AD LC4 02	1
11*	6901204200033	MIRROR BRACKET 08	1
12*	69012041100	MIRROR R/S CPL. W. FLASHER	1
13*	69012040100	MIRROR L/S CPL. W. FLASHER	1
14	69012040030	DISK SPRING 12,5X6,2X0,35	2
15	69012040040	ALUMINUM WASHER	2
16	69012040020	WASHER 20X8,2X2	4
17*	014579050356	CYL. SCREW DIN14579 M5X35	2
18	69002003000	DISTANCE BUSHING TRIPLE CLAMP	2
19	0025080356	HH COLLAR SCREW M8X35 TX40	2
20	61002030000	MASTER CYLINDER CPL. 05	1
21	61002044100	CLAMP WITH PIN	1
22	0025060166	HH COLLAR SCREW M6X16 TX30	1
23	61011049000	CLUTCH SWITCH 05	1
24	61002031000	CLUTCH LEVER CPL. 05	1
25	61002038000	LEVER SCREW CPL. 05	1
26	61002056000	ROCKER CPL. 05	1
27	61002043000	ADJUSTING SCREW CPL.	1
29	61002051000	O-RING ANGLE PIECE	1
30	61002032000	REP.SET PISTON D=13 05	1
31	61002055000	RESERVOIR CPL. 05	1
32	69032070044	BRACKET F. CLUTCH RES. CPL.RC8	1
33	58007117000	YDNAC-CLAMP 10107 10MM	2
34	69012040010	OVAL HEAD SCREW M8x30	2
35	61002054000	BLEEDER SCREW WITH CAP	1
36	50302036200	OIL FOR HYD. CLUTCH 75ML	1
37	61032063000	CLUTCH PIPE 05	1

086900210 / C096900210

* NEW PART

X AS REQUIRED

HANDLEBAR, CONTROLS

1190 RC 8 ORANGE EU 2009

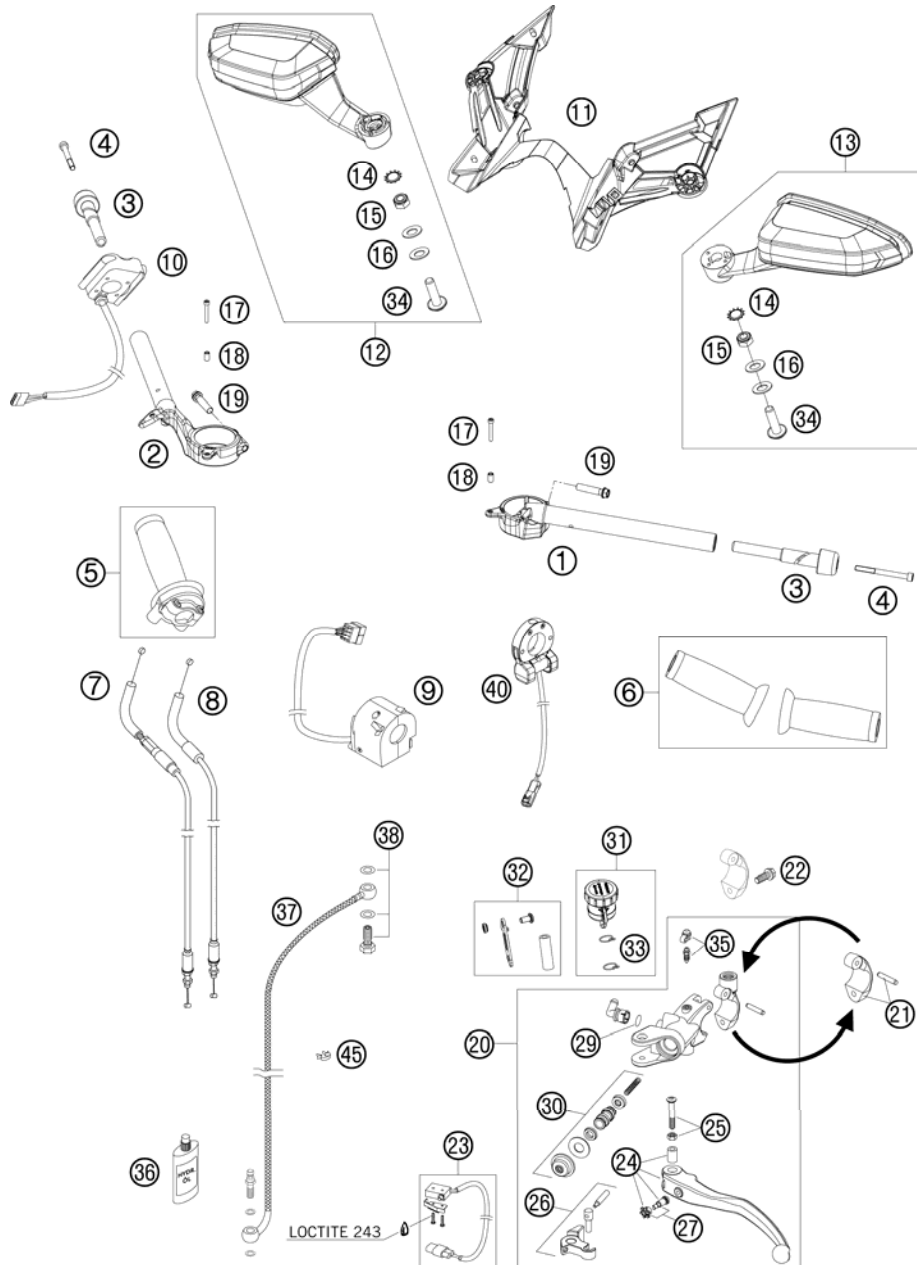


FIG	PART NUMBER	DESCRIPTION	QTY
38	59032062000	HOLLOW SCREW + COPPER GASKET	1
40	69011071000	CONTROLLER F. INSTRUMENTS	1
45	57013072000	WIRING HOLDER 12MM	1

086900210 / C096900210

* NEW PART

X AS REQUIRED

FRAME

1190 RC 8 ORANGE EU 2009

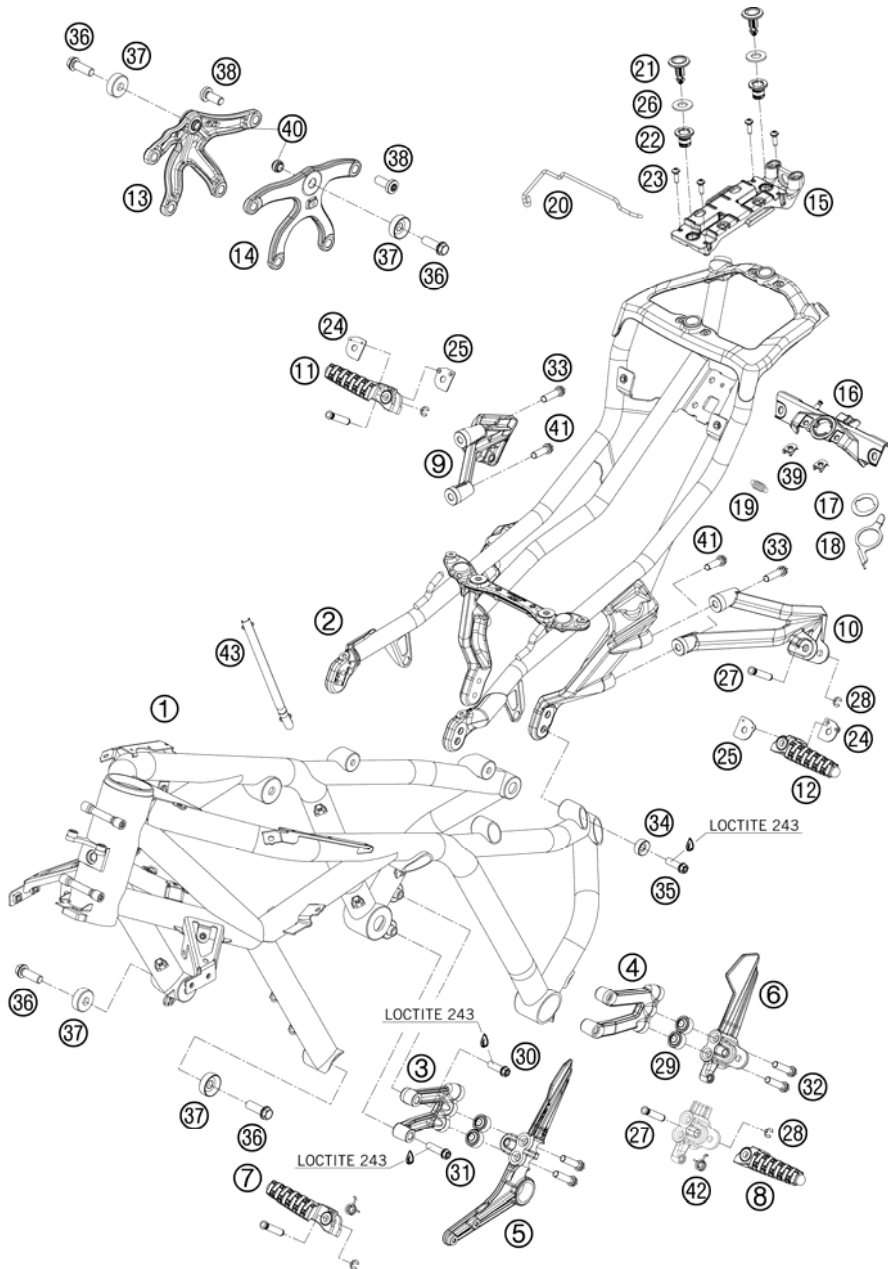


FIG	PART NUMBER	DESCRIPTION	QTY
1	6900300100033	FRAME "OA08" RC8	08
2	6900300200092	SUB FRAME PLATINUM	08
3*	6900303900001S	FOOTREST BRACKET R/S	09
4*	6900303800001S	FOOTREST BRACKET L/S	09
5*	6900303905001S	FOOTREST MOUNTING R/S	09
6*	6900303805001S	FOOTREST MOUNTING L/S	09
7*	6900304100001S	FOOTREST FRONT R/S	09
8*	6900304000001S	FOOTREST FRONT L/S	09
9	6900304900001S	FOOTREST BRACKET REAR R/S	1
10	6900304800001S	FOOTREST BRACKET REAR L/S	1
11	69003051033	FOOTREST REAR R/S CPL.	1
12	69003050033	FOOTREST REAR L/S CPL.	1
13	69003006000	ENGINE SUPPORT R/S	08
14	69003005000	ENGINE SUPPORT L/S	08
15	69008025000	REAR SEAT ADJUSTMENT	1
16	69008027000	LOCK BRIDGE	1
17	69008025070	WASHER LEVER REAR SEAT RELEASE	1
18	69008025060	LEVER REAR SEAT RELEASE	1
19	69008025080	SPRING F. REAR SEAT LOCK	1
20	69008025050	ADJUSTMENT WIRE REAR SEAT	1
21	69008026050	CLOSURE CAP	2
22	69008026000	GUIDE BUSHING	2
23	0081050161	EJOT PT SCREW K50X16 1451	4
24	60003052000	ENGAGE PANEL FOOTREST R/S	03
25	60003152000	ENGAGE PANEL FOOTREST L/S	03
26	69008026060	WASHER RC8	2
27	60003044000	BOLT FOR FOOTREST REAR	03
28	0799060003	TAB WASHER DIN6799-RS 6,0	4
29*	6900304700001	DISTANCE BUSHING 8,5X21X14	4
30	0025080256S	HH COLLAR SCREW M8X25 TX40	2
31	0025080306S	HH COLLAR SCREW M8X30 TX40	2
32*	0025080356S	HH COLLAR SCREW M8X35 TX40	4
33	0025080556	HH COLLAR SCREW M8X55 TX40	2
34	6900300400001	WASHER SUB FRAME MOUNTING	08
35	0025080256S	HH COLLAR SCREW M8X25 TX40	4
36	0035100309S	AH-COLLAR SCREW M10X30 ISA45	4

086900310 / C096900310

* NEW PART

X AS REQUIRED

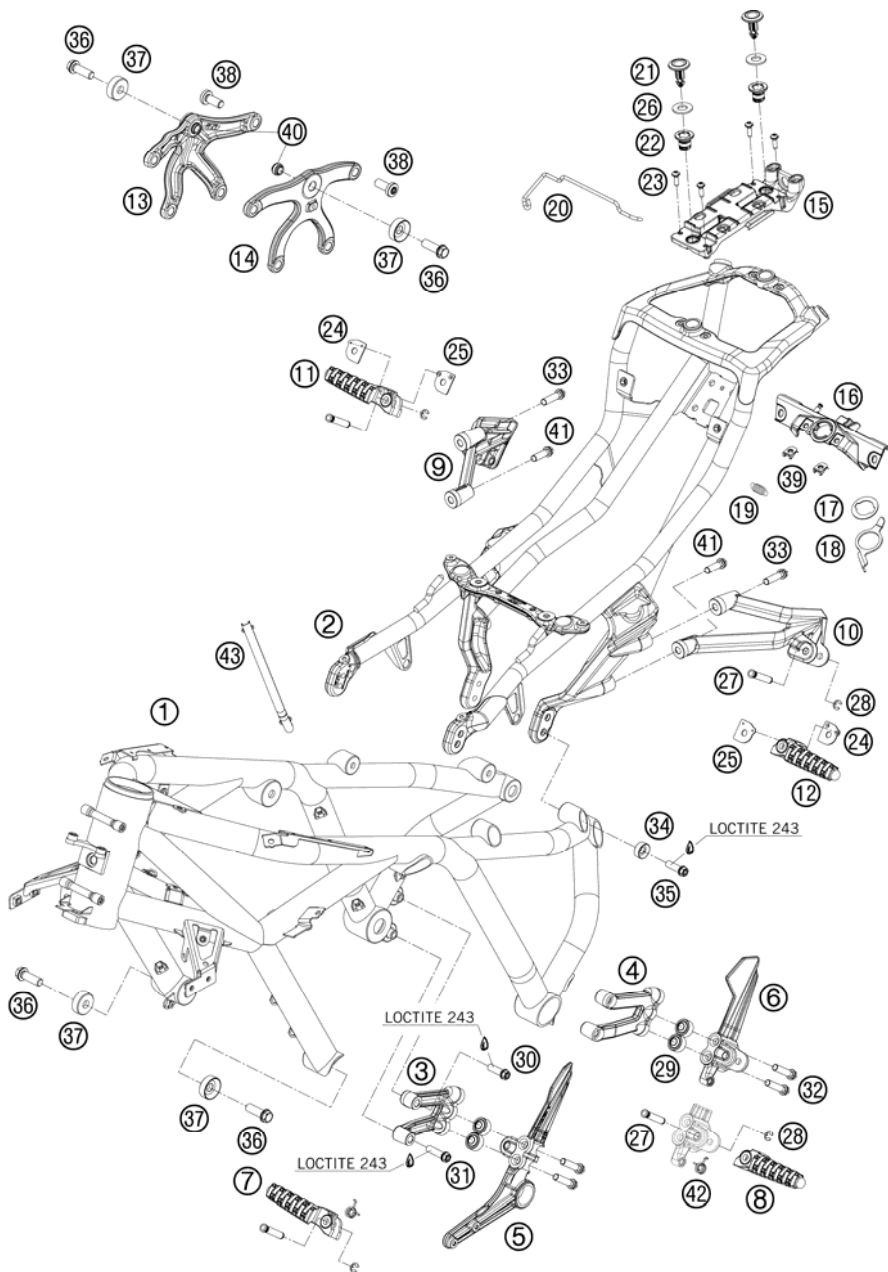


FIG	PART NUMBER	DESCRIPTION	QTY
37	6900300700001	WASHER ENGINE SUSPENSION 08	4
38	0035100249	AH-COLLAR SCREW M10X24 ISA45	8
39	69008021080	RANGE CHANGE METAL NUT M5	2
40	69004095000	ADAPTOR NUT M10	2
41	0025080506	HH COLLAR SCREW M8X50 TX40	2
42	61003042000	SPRING FOOTREST FRONT 05	2
43	69011047000	CABLE DUCT BRAKE LIGHT SW. RC8	1

086900310 / C096900310

* NEW PART

X AS REQUIRED

SIDE / CENTER STAND

1190 RC 8 ORANGE EU 2009

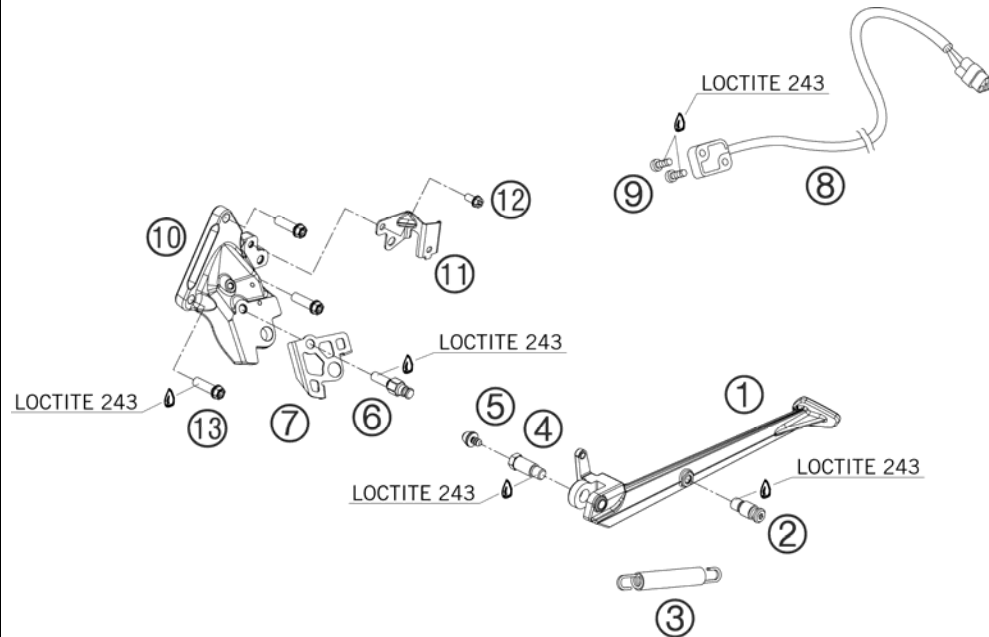


FIG	PART NUMBER	DESCRIPTION	QTY
1*	6900302303301S	SIDE STAND CPL.	1
2	75603023011	BOLT F. SIDE STAND SPRING	1
3	61003024000	SPRING L=116 MM 05	1
4	69003027050	SCREW F. SIDE STAND M10	1
5	69003027060	DISTANCE RUBBER D=14X10,5	1
6	61003028001	SCREW SIDE STAND SPRING 05	1
7	69003027000	CONSOLE INTERMEDIATE METAL	1
8	61011045000	SIDE STAND SENSOR 05	1
9	0084040123	CYL.HEAD SCREW DIN84A M4x12	2
10*	6900302600001S	SIDE STAND CONSOLE 09	1
11	69003029000	KEEL RETAINING BRACKET	1
12	0025060126	HH COLLAR SCREW M6X12 TX30	1
13	0025080256S	HH COLLAR SCREW M8X25 TX40	3

086900360 / C096900360

* NEW PART

X AS REQUIRED

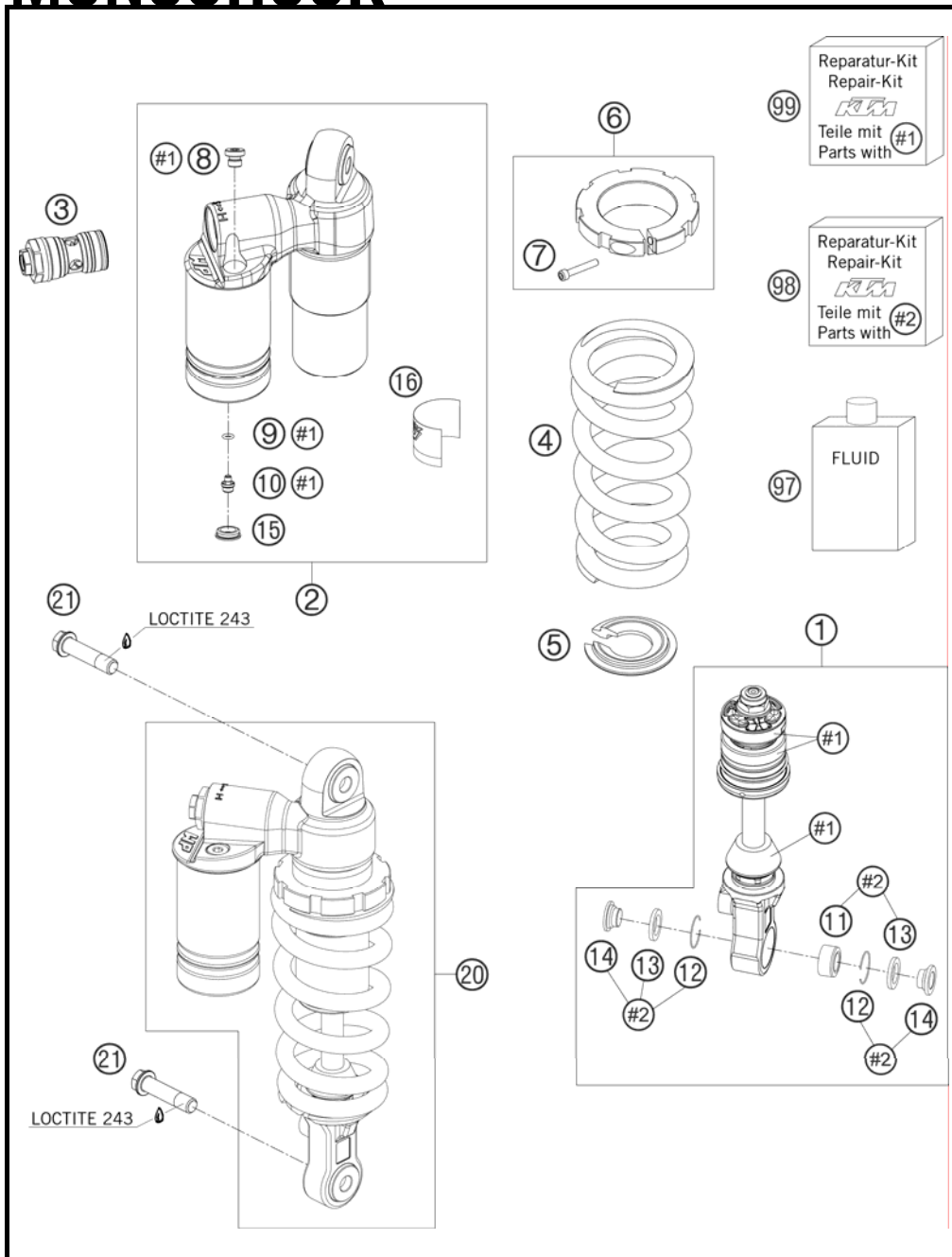


FIG	PART NUMBER	DESCRIPTION	QTY
1	40140329S1	MONOSHOCK LOWER PART CPL. 08	1
2	40140331S1	MONOSHOCK TOP PART CPL. 08	1
3*	46180533S	DCC-COMPR.DAMP.CONTROL CPL. 07	1
4*	91750002S	SPRING (55) 95N/MM 160 D=10,75	1
5	36120559	SPRING RETAINER	1
6	40140342S	ADJUSTING RING + SCREW M5	1
7	0912050203	AH SCREW DIN0912-M 5X20	1
8	50180095	BLEED PLUG R 1/8	1
9	46810893	O-RING NBR 5,28X1,78	1
10	36120151	SCREW PLUG M5X6	1
11	50180005	BUSHING KGW 1525 HD	1
12	50180168	WASHER KGW D=25	2
13	46180003	OIL SEAL KGW D=25	2
14	40140337	ADAPTER BUSHING 10X24	2
15	46811208	RUBBER CAP "DO NOT OPEN"	1
16	52000044	STICKER WP KTM	1
20*	17187E07	MONOSHOCK RC8 09	1
21	69004089000	HH COLLAR SCREW M10X42 WS13 08	2
97	50180342S1	SHOCK ABSORBER FLUID 5 LT '03	1
98	R17004	REP. KIT BEARINGS 08	1
99	R17003	REP. KIT GASKET 08	1

086900410 / C096900410

* NEW PART

X AS REQUIRED

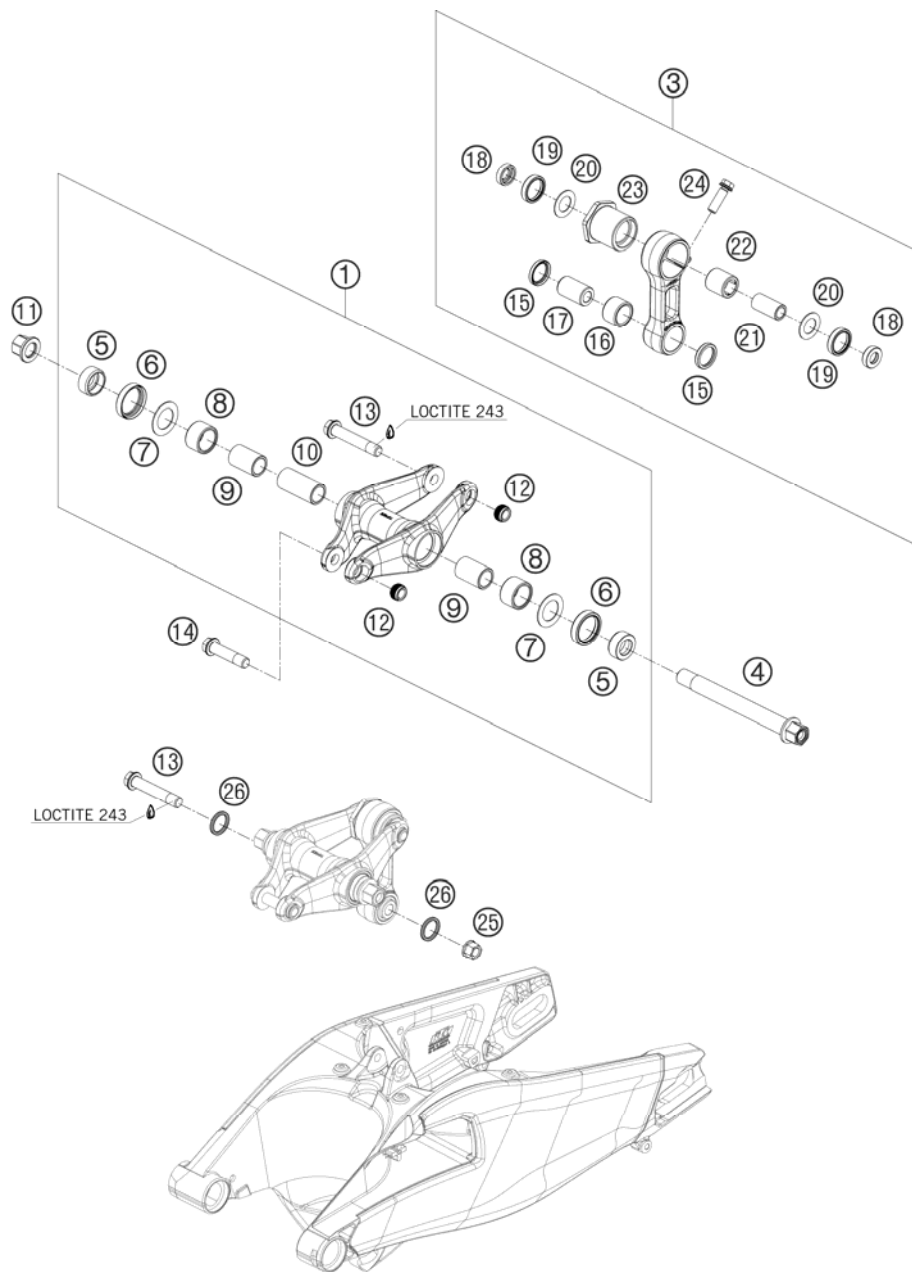


FIG	PART NUMBER	DESCRIPTION	QTY
1*	6900408004401S	SWING ARM DEFLECTION CPL.8% 08	1
3*	6900408304401S	CONNECTING ROD CPL.	1
4	69004081044	BEARING BOLT SWING LEVER CPL.	1
5	58303090000	SPAC.F.SHAFT SEALRING 15X25X11	2
6	0760253270	SHAFT SEAL RING 25X32X7	2
7	59033080000	SHIM 20X32X1	2
8	54603097000	NEEDLE BUSH HK 2016	2
9	50203081800	BEARING BUSHING	2
10	69004087000	DIST. BUSHING SWING LEVER 08	1
11	69004082000	FLANGE NUT M14X1,5 WS17	1
12	69004095000	ADAPTOR NUT M10	2
13	69004094000	HH COLLAR SCREW M10X56 WS13 08	2
14	69004089000	HH COLLAR SCREW M10X42 WS13 08	1
15	0760182442	SHAFT SEAL RING 18X24X4	2
16	56503195100	NEEDLE BEARING HK 1816	1
17	69004085000	BEAR. BUSH. CONN. ROD BELOW 08	1
18	69004093000	BUCKET F. SHAFT SEAL RING 08	2
19	0760202640	SHAFT SEAL RING 20X26X4 NBR	2
20	69004092000	STOP DISC 15,1X25,9X1MM 08	2
21	69004088000	BEAR. BUSH. CONN. ROD ABOVE 08	1
22	0618152200	NEEDLE SLEEVE HK1522	1
23	69004084000	ECCENTRIC PUSHROD 08	1
24	0025080256	HH COLLAR SCREW M8X25 TX40	1
25	54630044000	COLLAR NUT M10 WS=13	1
26	69004096000	QUAD-RING 17,12X2,62X2,62 NBR	2

086900460 / C096900460

* NEW PART

X AS REQUIRED

SWING ARM

1190 RC 8 ORANGE EU 2009

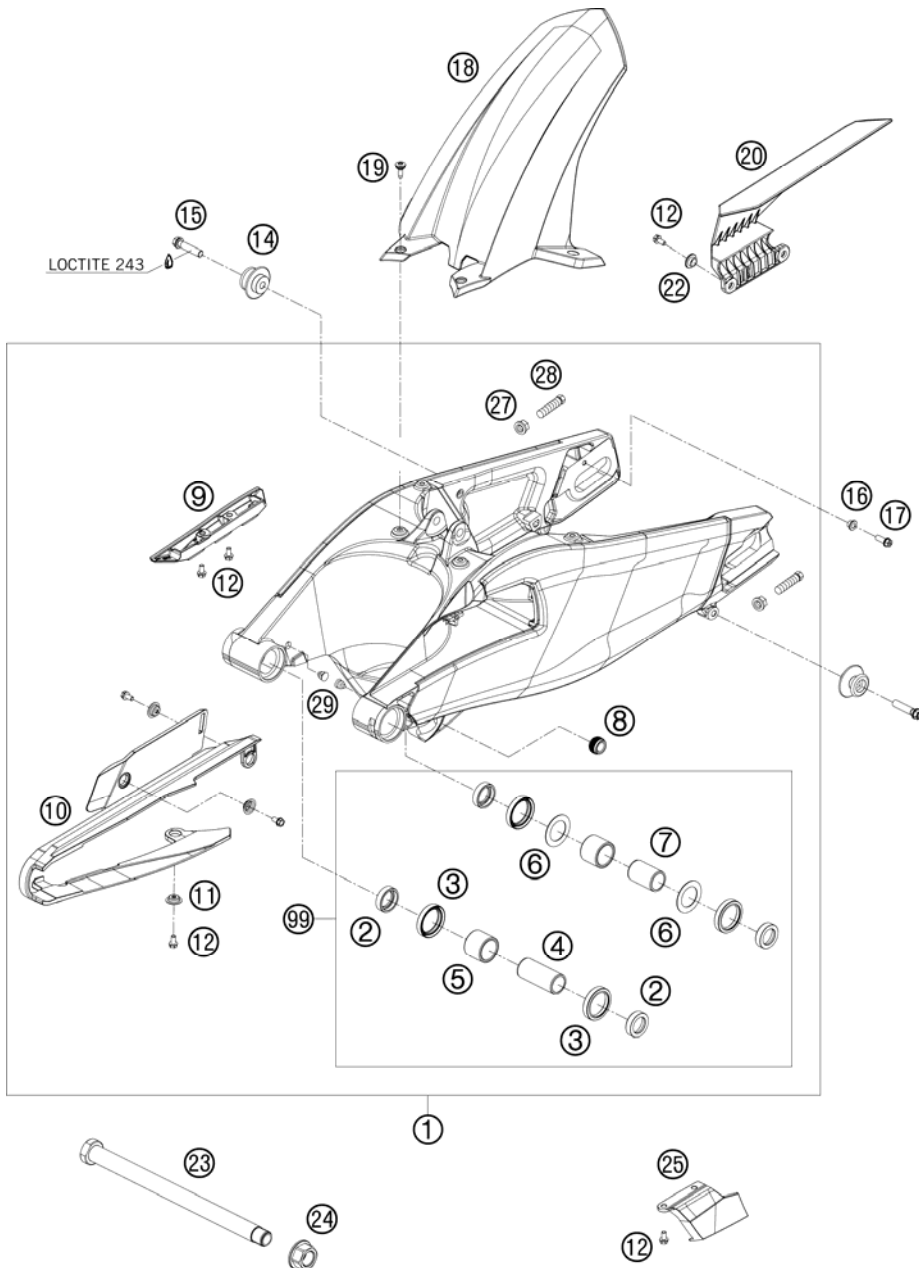


FIG	PART NUMBER	DESCRIPTION	QTY
1*	6900403014401	SWING ARM CPL. RC8	1
2	60004034000	BUCKET F. SHAFT SEAL RING 03	4
3	0760304073	SHAFT SEAL RING 30X40X7	4
4	69004032000	INNER RING JR 20X25X56,5	1
5	60004031000	NEEDLE BUSH HK2526B 03	2
6	60004033000	STOP DISK 03	2
7	60004032000	INNER RING JR20X25X38,5 03	1
8	69004095000	ADAPTOR NUT M10	1
9	69013010000	BRAKE HOSE GUIDE	1
10	69004066100	CHAIN SLIDING GUARD	1
11	46104066050	BUSH FOR CHAINSLIDER GUARD 02	3
12	0009050103	SPECIAL SCREW M 5,0X10	9
14	69004040000	SUPPORT F. LIFITNG GEAR	2
15	0025080356S	HH COLLAR SCREW M8X35 TX40	2
16	69004072000	BUSHING F. BRAKE-CAL. BRACKET	1
17	0025060166S	HH COLLAR SCREW M6X16 ISA 30	1
18	69004050000	SPLASH PROTECTION	1
19	69008021060	SPECIAL SCREW M5X17	4
20	6900406010033	UPPER CHAIN GUARD RC8	1
22	69004060050	BUSHING CHAIN GUARD 08	2
23	69004037044	SWING ARM BOLT 08	1
24	60004038000	COLLAR NUT M19X1,5 WS=27MM 03	1
25	6900406100033	LOWER CHAIN GUIDE	1
27	58414030000	HH COLLAR NUT M10X1,25 WS=13	2
28	50304040100	SCREW M10X1,25X50 WS=10	2
29	60004042000	PLUG SFL12 GREY 05	2
99	69004230010	SWING ARM REP. KIT 08	1

096900490 / C096900490

* NEW PART

X AS REQUIRED

EXHAUST SYSTEM

1190 RC 8 ORANGE EU 2009

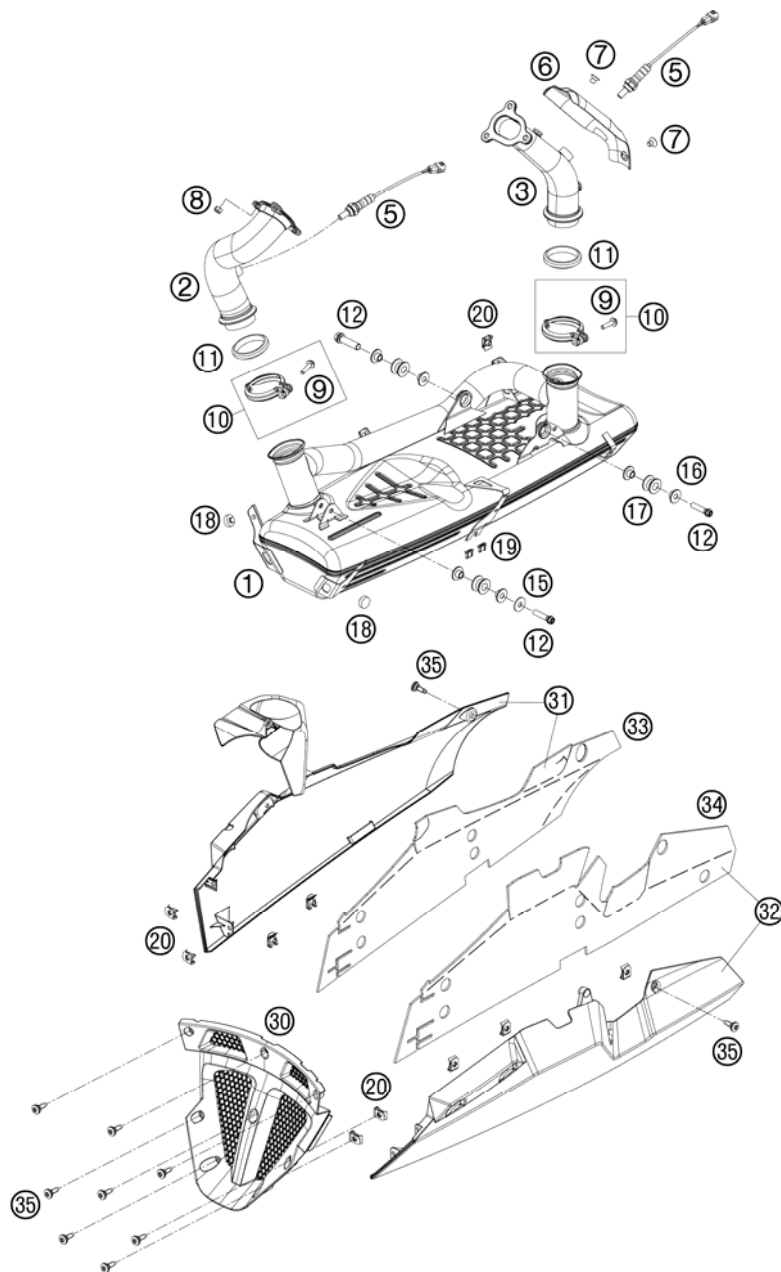


FIG	PART NUMBER	DESCRIPTION	QTY
1	69005083000	SILENCER CPL. RC8	1
2	69005007000	EXHAUST PIPE FRONT CPL.	1
3	69005008000	EXHAUST PIPE REAR CPL.	1
5	61041090000	LAMBDA SENSOR 05	2
6	69005011000	HEAT SHIELD REAR	1
7	0991060082	FLAT H.SCREW M6X8 DIN7991 NIRO	2
8	51010086100	SELF LOCKING NUT M 8 CU	6
9	0024060136	HH COLLAR SCREW M6X13 TX30	2
10	69005050000	CLAMP CPL.	2
11	69005005005	MANIFOLD GASKET	2
12	0025080356S	HH COLLAR SCREW M8X35 TX40	3
15	0021080003	WASHER DIN9021-A 8,4	1
16	58405050065	COLLAR BUSH 8,5X12X23,5X10	6
17	54305068100	DAMP. COMPONENT SILICONE GREY	3
18	54308042000	RUBBER BUFFER	9
19	61005091000	DAMP. COMPON. SILICONE GREY 05	4
20	69008021080	RANGE CHANGE METAL NUT M5	10
30*	6900806010033	KEEL COVER BLACK MATT	1
31*	6900805613330A	EXHAUST COV. R/S CPL. BL. BR.	1
32	6900805503330A	EXH. COV. L/S CPL. BL. BR. RC8	1
33	69005083092	HEAT SHIELD F. EXH. COVER R/S	1
34	69005083093	HEAT SHIELD F. EXH. COVER L/S	1
35	69008021060	SPECIAL SCREW M5X17	4

096900510 / C096900510

* NEW PART

X AS REQUIRED

AIR FILTER

1190 RC 8 ORANGE EU 2009

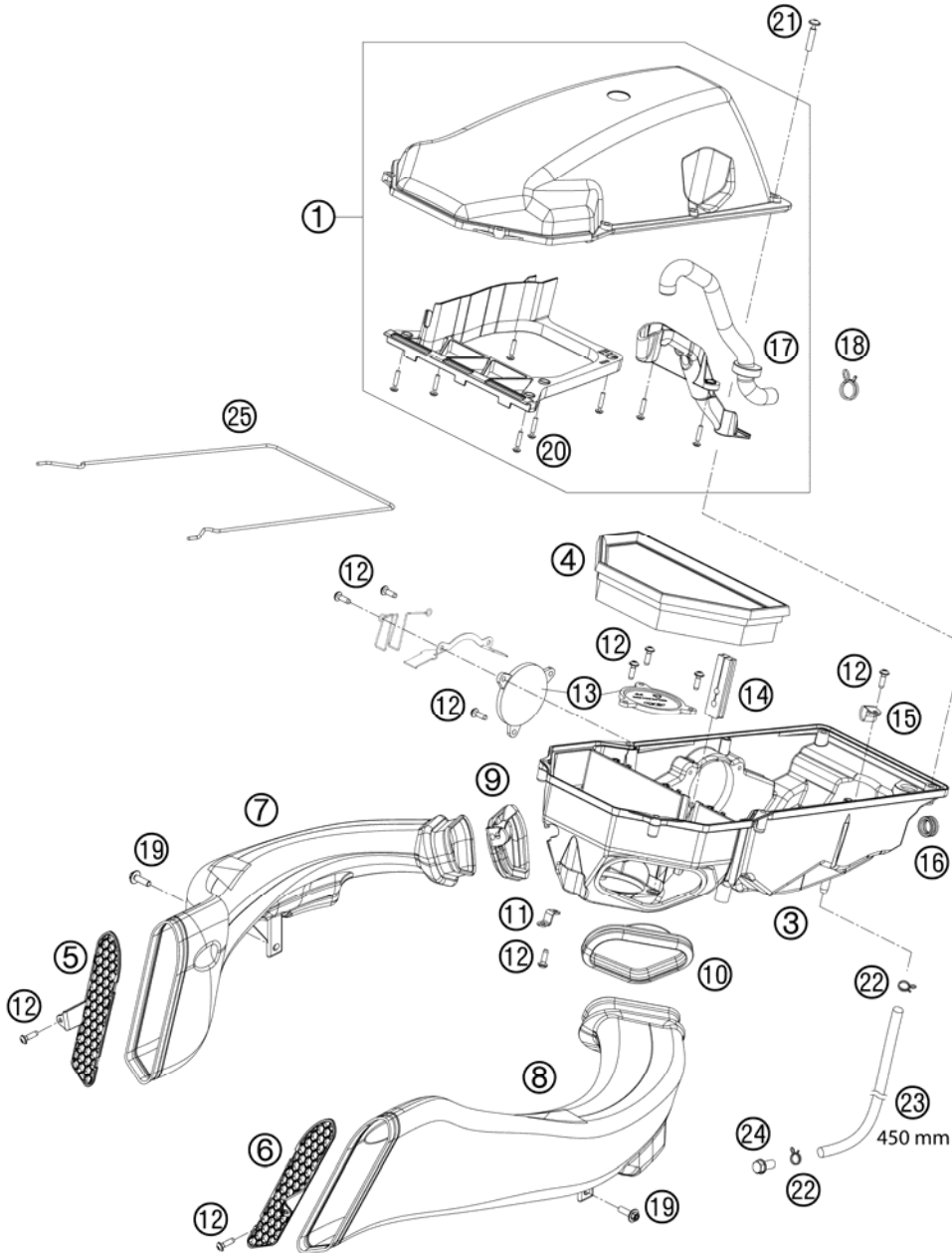


FIG	PART NUMBER	DESCRIPTION	QTY
1*	69006002144	FILTER BOX UPPER PART CPL. 09	1
3	69006001000	FILTER BOX LOWER PART 08	1
4	69006015000	FILTER ELEMENT	1
5	69006041060	PROT. GRILL INTAKE SNORKEL R/S	1
6	69006040060	PROT. GRILL INTAKE SNORKEL L/S	1
7	69006041000	INTAKE SNORKEL R/S	1
8	69006040000	INTAKE SNORKEL L/S	1
9	69006041050	SNORKEL SEALING R/S	1
10	69006040050	SNORKEL SEALING L/S	1
11	69006015050	BRACKET F. EFI-PLUG	1
12	0081050161	EJOT PT SCREW K50X16 1451	10
13	69006004000	FILTER BOX COVER R/S	2
14	69006001030	THROTTLE ROPE CHANNEL	1
15	69007029000	PVC-CLAMP HEYCO 13,9 3379	1
16	69006001040	PROTECTION SLEEVE FUEL HOSE	1
17*	69006088000	MOLDED HOSE ENGINE BREATHER 08	1
18	58431082100	YDNAC-CLAMP 10173 (16MM) '98	1
19	0024060206	HH COLLAR SCREW M6X20 TX30	2
20	0081400253	PLASTIC SCREW KA40X25WN1412	8
21	0017060303	SPECIAL SCREW T60 6X30 WS=6	8
22	58031005000	CLAMP YDNAC 10128 12MM	2
23	60015019001	HOSE NBR 7X11 PER METER	x
24	0025080126	HH COLLAR SCREW M8X12 TX40	1
25	69006001060	GASKET F. AIRBOX	1

086900610 / C086900610

* NEW PART

X AS REQUIRED

FUEL PUMP

1190 RC 8 ORANGE EU 2009

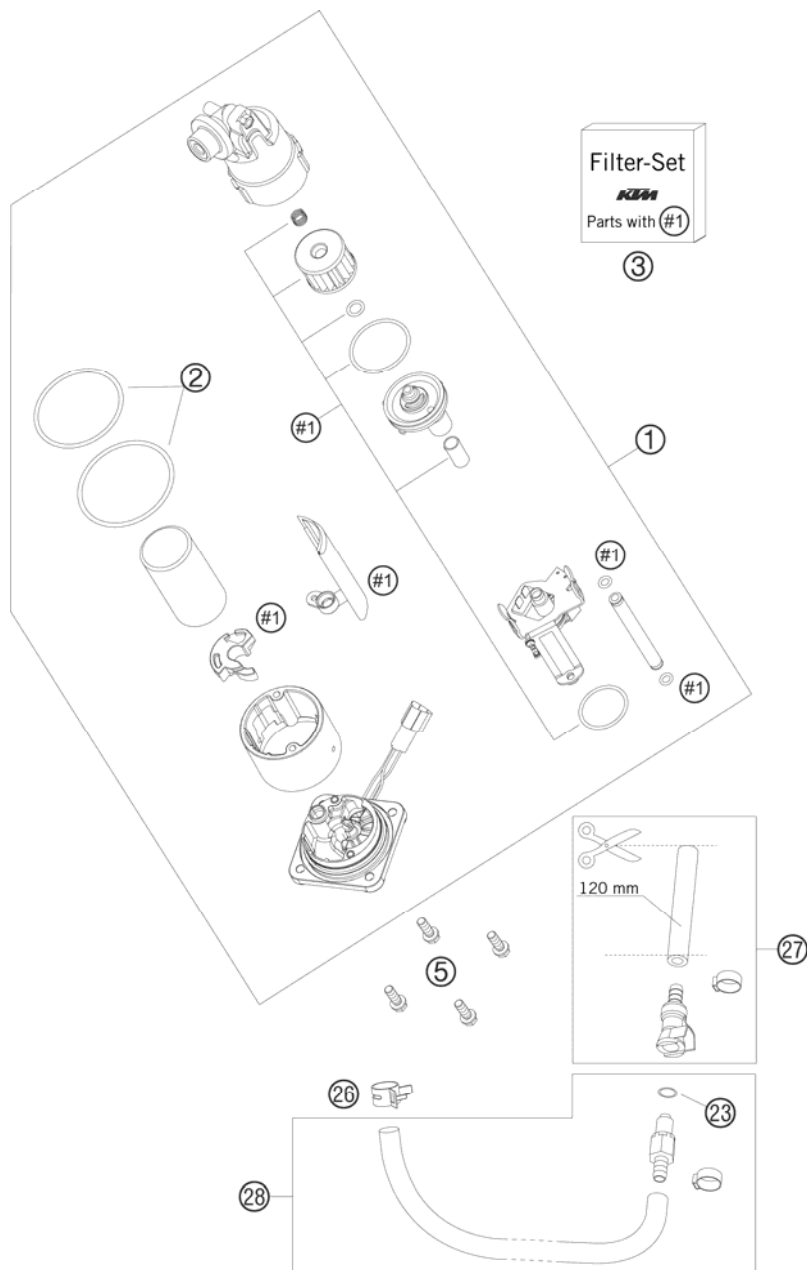


FIG	PART NUMBER	DESCRIPTION	QTY
1	61007088200	PUMP WITHOUT RESERVE INDICATOR	1
2	61007089000	O-RING SET FOR FUEL PUMP 05	1
3	61007090000	FILTER-SET FUEL PUMP 05	1
5	0025060166	HH COLLAR SCREW M6X16 TX30	4
23	58507012000	O-RING VITON F. PLUG CPC 05	1
26	00049140121	CLAMP STD DN14	1
27	75007116060	FUEL HOSE WITH CLUTCH	1
28	69007016050	FUEL HOSE DKK CPL.	1

086900730 / C086900730

* NEW PART

X AS REQUIRED

TANK, SEAT, COVER

1190 RC 8 ORANGE EU 2009

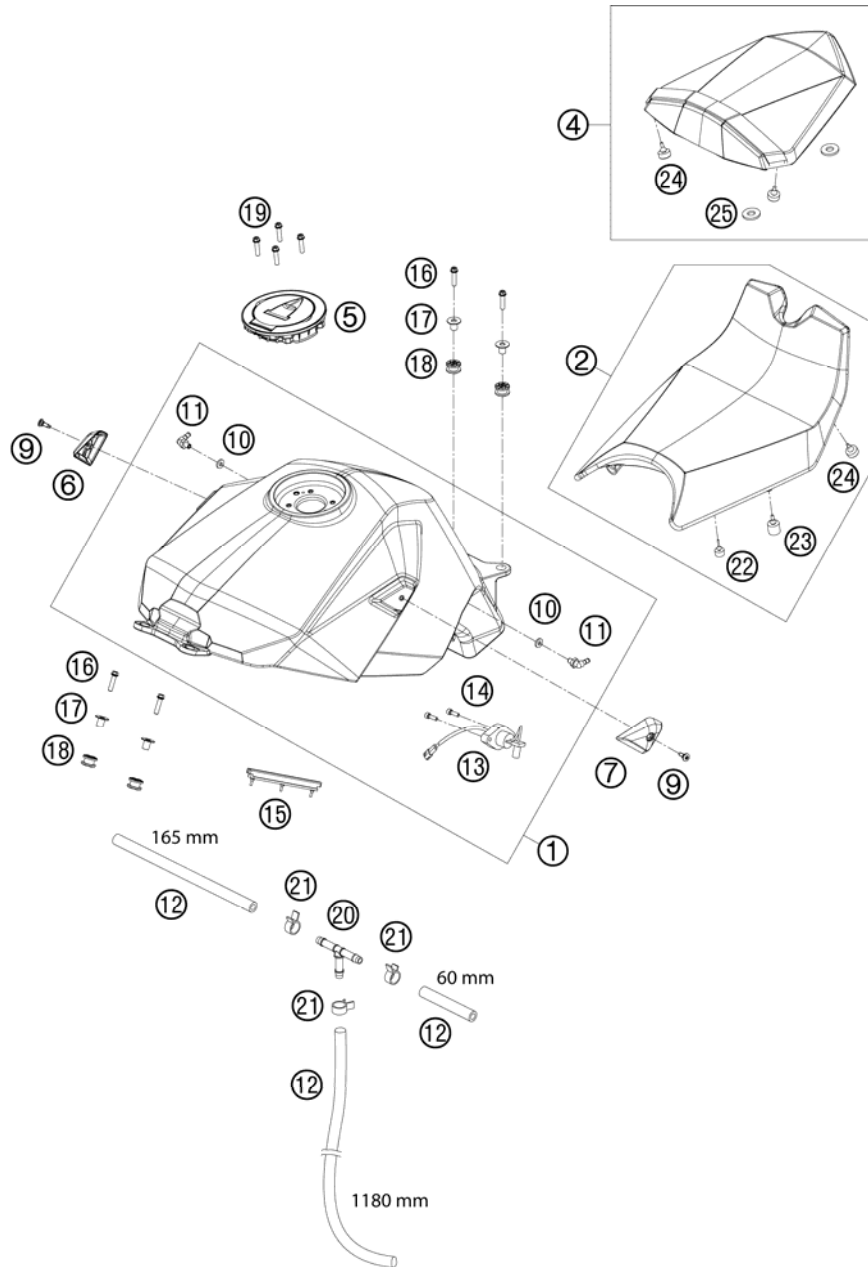


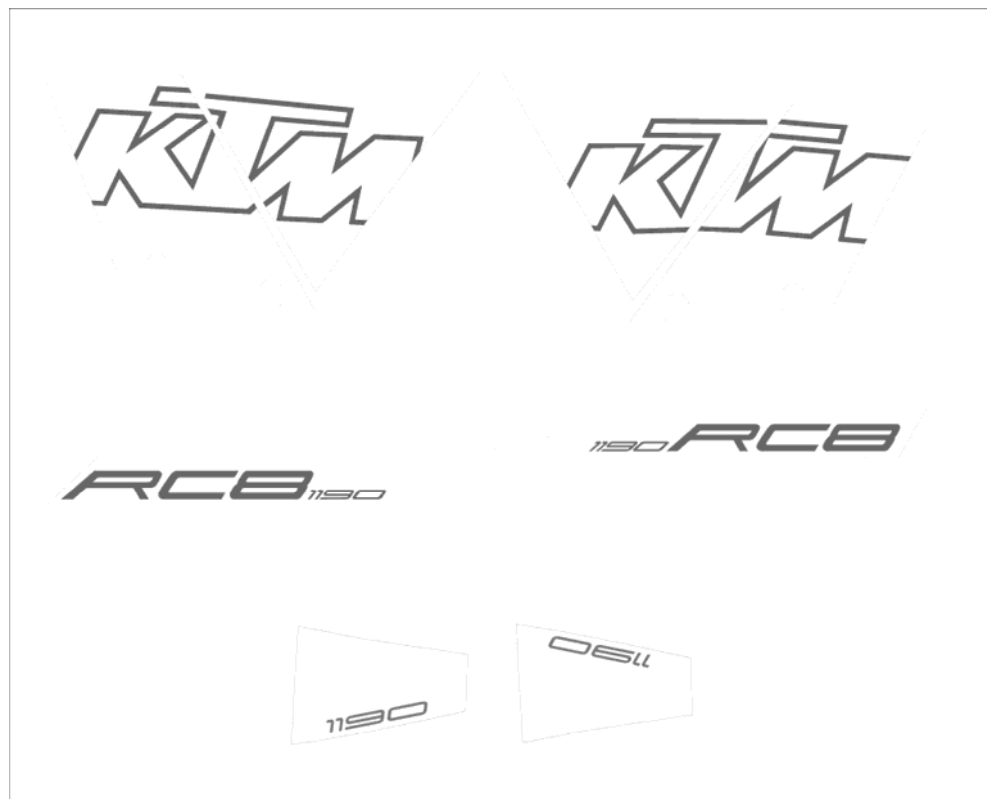
FIG	PART NUMBER	DESCRIPTION	QTY
1*	6900701314475A	FUEL TANK CPL. OR.MATT RC8 09	1
2*	69007040100	SEAT	1
4	69007047000	PASSENGER SEAT	1
5	69007008000	TANK CAP	1
6*	6900702610030	TANK PROTECTION R/S BLACK BR.	1
7*	6900702510030	TANK PROTECTION L/S BLACK BR.	1
9	69008021060	SPECIAL SCREW M5X17	2
10	60007024050	GASKET FOR CONNECTING PIECE 03	2
11	60007024000	CONNECT.PIECE F.OVERFLOW M7 03	2
12	60007026001	HOSE NBR 5,4X9,4 PER METER	x
13	58207080100	GAS-LEVEL SENSOR ADV. 2006	1
14	0912050163	AH SCREW DIN0912-M 5X16	2
15	69007014000	TANK REST RUBBER 08	2
16	0025060256	HH COLLAR SCREW M6X25 TX30	4
17	69007028000	COLLAR BUSH. 6,2X10X21X14MM 08	4
18	69007027000	RUBBER SLEEVE TANK MOUNT 08	4
19	0912050123	AH SCREW DIN0912-M 5X12	4
20	60015022000	T-CONNECTOR TS-6 03	1
21	58007017000	YDNAC CLAMP 10101 (9MM)	3
22	69007040010	DISTANCE RUBBER 14X8	2
23	69007040020	DISTANCE RUBBER 17,8X16	2
24	69007040030	DISTANCE RUBBER 18X8	4
25	69007047020	PLATE RUBBER WASHER	2

096900711 / C096900711

* NEW PART

X AS REQUIRED

FIG	PART NUMBER	DESCRIPTION	QTY
1	69008099000	DECAL KIT RC8 ORANGE 08	1



086900830 / C086900830

* NEW PART

X AS REQUIRED

MASK, FENDERS

1190 RC 8 ORANGE EU 2009

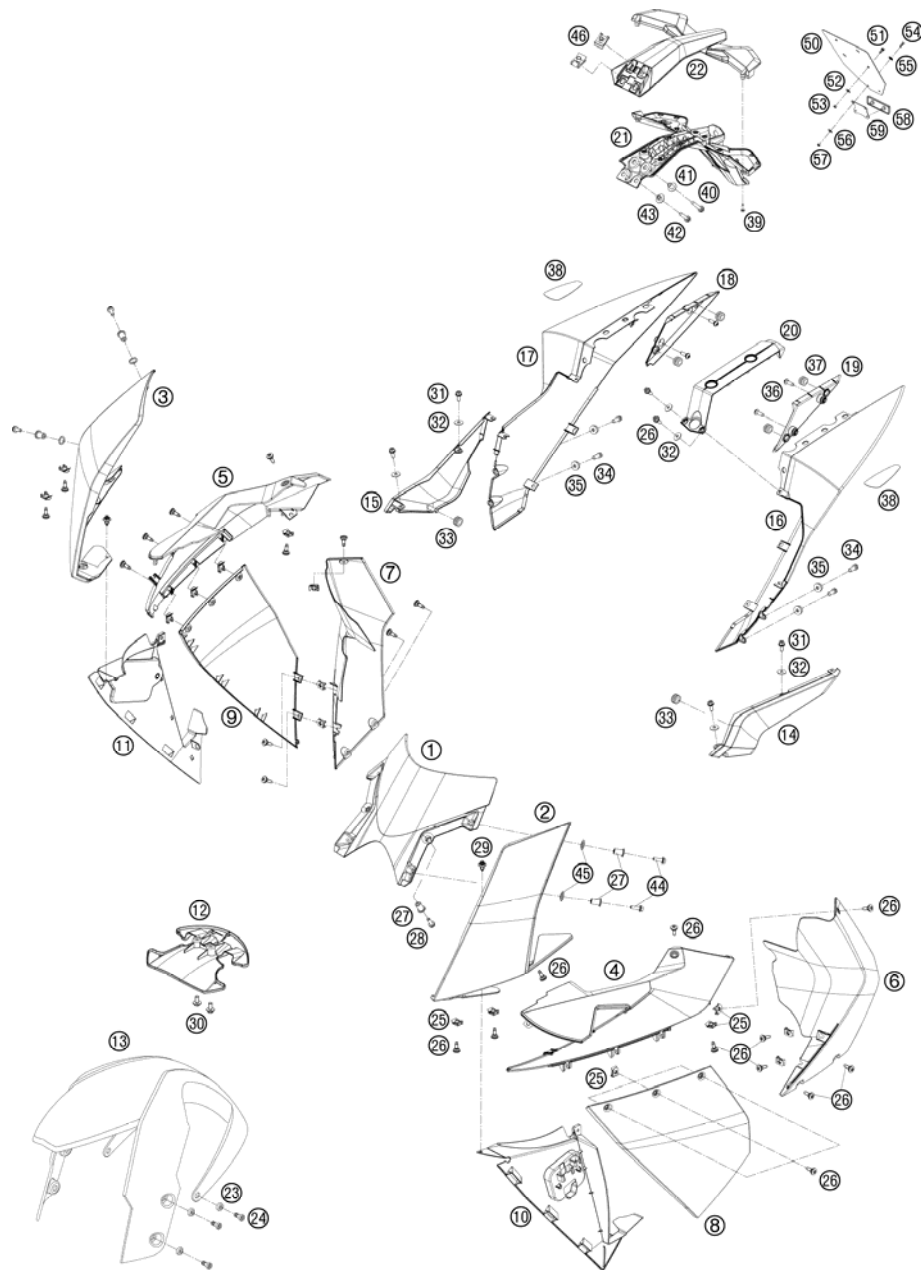


FIG	PART NUMBER	DESCRIPTION	QTY
1	69008008000	FAIRING WASHER HIGH 08	1
2	6900800100077A	FR.FAIR.UP.PART L/S OR.BR. RC8	1
3	6900800200077A	FR.FAIR.UP.PART R/S OR.BR. RC8	1
4	6900800300075A	FR.FAIR.LO.PART L/S OR.MA. RC8	1
5	6900800400075A	FR.FAIR.LO.PART R/S OR.MA. RC8	1
6	6900805200033A	EXIT-AIR SHAFT L/S BL.MATT RC8	1
7	6900805300033A	EXIT-AIR SHAFT R/S BL.MATT RC8	1
8	6900805000077A	COOLER FAIRING L/S OR. BR. RC8	1
9	6900805100077A	COOLER FAIRING R/S OR. BR. RC8	1
10	6900802200033	FRESH-AIR SHAFT L/S BL. MA. 08	1
11	6900802300033	FRESH-AIR SHAFT R/S BL. MA. 08	1
12	6900802100033	UP. FRESH-AIR SHAFT BL. MA. 08	1
13	6110801000075A	FRONT FENDER OR. MATT 08	1
14	6900804300030A	SIDE COVER L/S BL. BR. RC8	1
15	6900804400030A	SIDE COVER R/S BL. GL. RC8	1
16	6900804100030A	REAR FAIRING L/S BL. BR. RC8	1
17	6900804200030A	REAR FAIRING R/S BL. BR. RC8	1
18	69008039000	REAR LIGHT ADAPTER R/S	1
19	69008038000	REAR LIGHT ADAPTER L/S	1
20	6900803100033	UPPER REAR END PANEL	1
21	69008018000	LICENSE PLATE BRACKET LO. PART	1
22	69008017000	LICENSE PLATE BRACKET UP. PART	1
23	61108045000	SPECIAL WASHER	6
24	014580060166	CYL. SCREW DIN14580 M 6X16	6
25	69008021080	RANGE CHANGE METAL NUT M5	x
26	69008021060	SPECIAL SCREW M5X17	x
27	60008008050	BLIND PLUG-IN NUT M5 WN 16A 03	6
28	0025050166	HH COLLAR SCREW M5X16 TX30	2
29	76503075000	SPREAD RIVET CPL. 6,2MM	2
30	0024060136	HH COLLAR SCREW M6X13 TX30	2
31	58605083010	SCREW TORX M5X10 05	4
32	75008023000	WASHER REAR-UT D=14MM	6
33	31008060000	RUBBER SLEEVE D=8MM OPEN	2
34	0025080206	HH COLLAR SCREW M8X20 TX40	4
35*	6900300405001	WASHER MOUNT. REAR FAIRING	4
36	0081050161	EJOT PT SCREW K50X16 1451	4

086900810 / C096900810

* NEW PART

X AS REQUIRED

MASK, FENDERS

1190 RC 8 ORANGE EU 2009

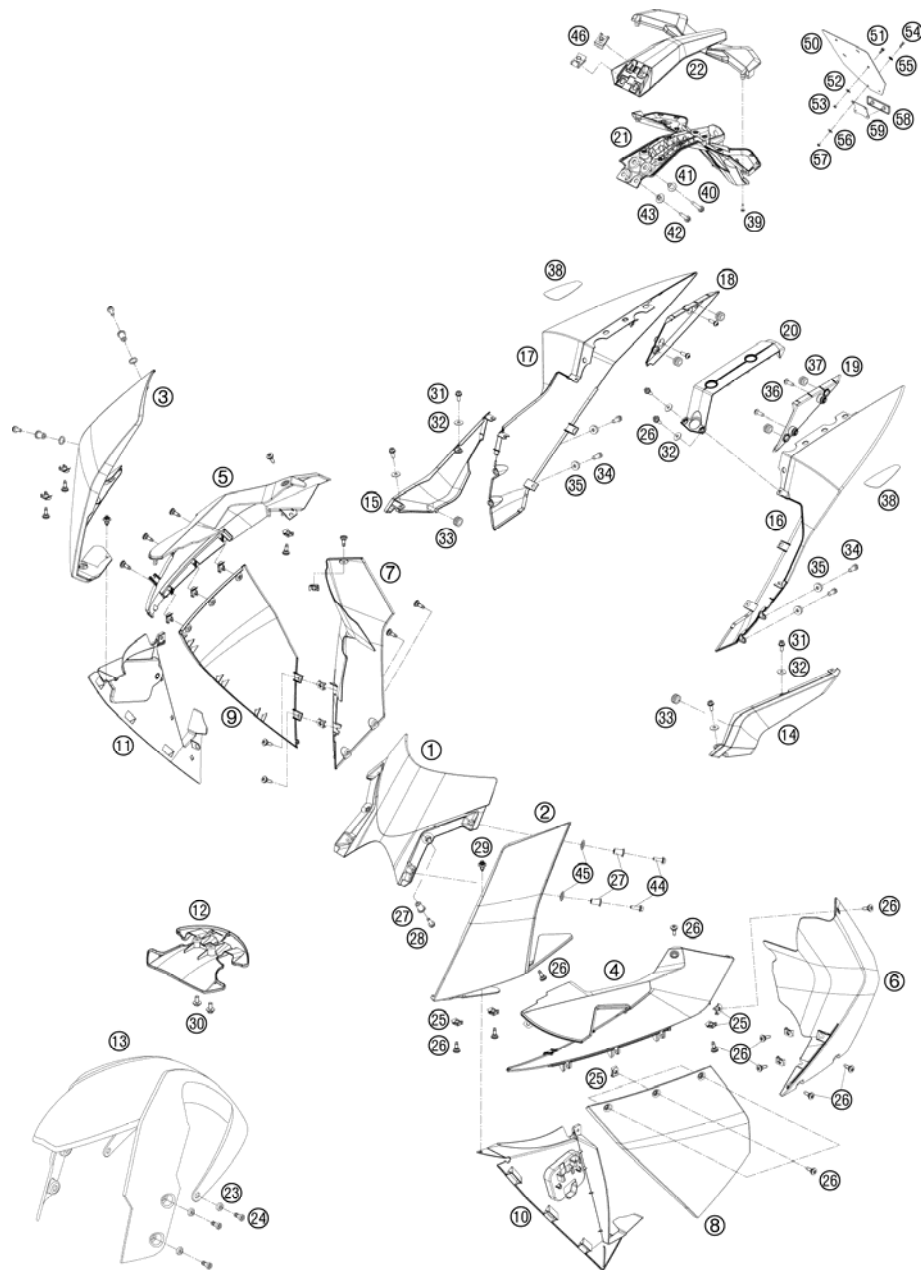


FIG	PART NUMBER	DESCRIPTION	QTY
37	69014078000	RUBBER SLEEVE 10X14X20 08	4
38	69007047050	PASSENGER'S SEAT PLATE KIT	1
39	0081040161	SCREW FOR PLASTIC K40X16 T20	10
40	0025060256	HH COLLAR SCREW M6X25 TX30	2
41	69007028000	COLLAR BUSH. 6,2X10X21X14MM 08	2
42	0025060206	HH COLLAR SCREW M6X20 TX30	2
43	69008020000	BUSHING LICENSE PLATE BRACKET	2
44	0025050206	HH COLLAR SCREW M5X20 TX30	4
45	69008008050	PLAIN WASHER PA 9,5X14X2	4
46	54603048100	RANGE CHANGE METAL NUT M6	4
50	60012081200	LICENCE FITTING 06	1
51	0024060156	HH COLLAR SCREW M6X15 TX30	4
52	0021060003	WASHER DIN9021-A 6,4	4
53	0985060003	SELF LOCK. NUT DIN0985-M 6	4
54	0966050163	OVAL HEAD SCREW DIN0966-M 5X16	2
55	40006006000	WASHER 6MM	2
56	0125050003	WASHER DIN0125-A 5,3	2
57	0985050003	SELF LOCKING NUT DIN0985-M 5	2
58	58412080000	REFLECTOR RED LC4 '98	1
59	58412080050	BRACKET FOR REFLECTOR	1

086900810 / C096900810

* NEW PART

X AS REQUIRED

FRONT WHEEL

1190 RC 8 ORANGE EU 2009

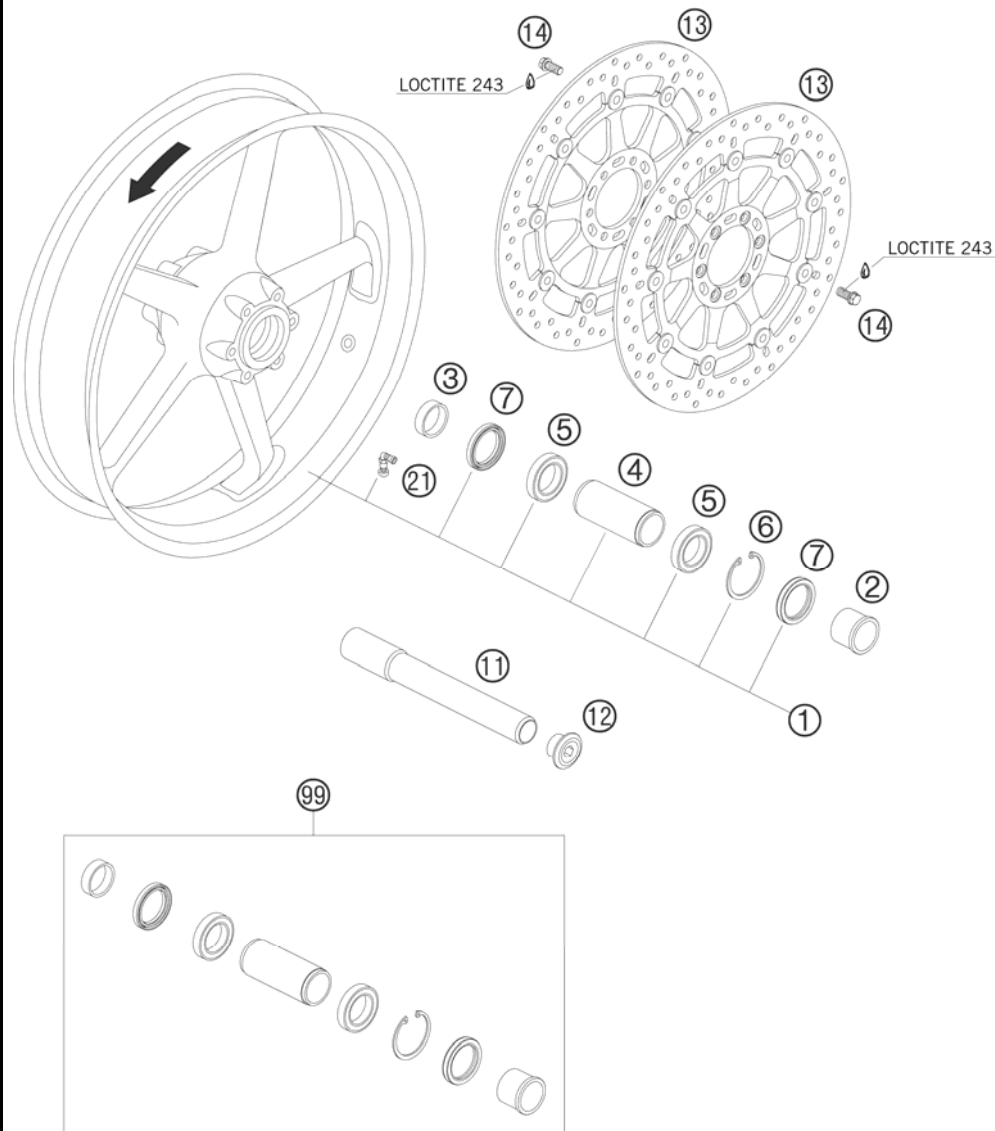


FIG	PART NUMBER	DESCRIPTION	QTY
1	6100900104430	FRONT WHEEL CPL. BLACK 07	1
2	61009012000	SPACER BUSH. FR. WHEEL L/S 05	1
3	60009013000	SPACER BUSH. FR. WHEEL R/S 03	1
4	61009011000	BEARING SPACER TUBE FRONT 05	1
5	0625069068	GR.BALL BEAR.6906 DDU2CG23S6NM	2
6	0472048175	LOCK RING DINO472-48X1,75	1
7	0760354771	SHAFT SEAL RING 35X47X7 TC	2
11	61009081000	WHEEL SPINDEL FRONT 05	1
12*	6900103600001	STEERING HEAD SCREW 09	1
13	61009060000	BRAKE DISK FRONT 320MM 05	2
14	61009062018	SPECIAL SCREW M8X18 05	12
21	61009076000	VALVE ANGLED 90° 05	1
99	69009015000	FRONT WHEEL REPAIR KIT	1

086900910 / C096900910

* NEW PART

X AS REQUIRED

REAR WHEEL

1190 RC 8 ORANGE EU 2009

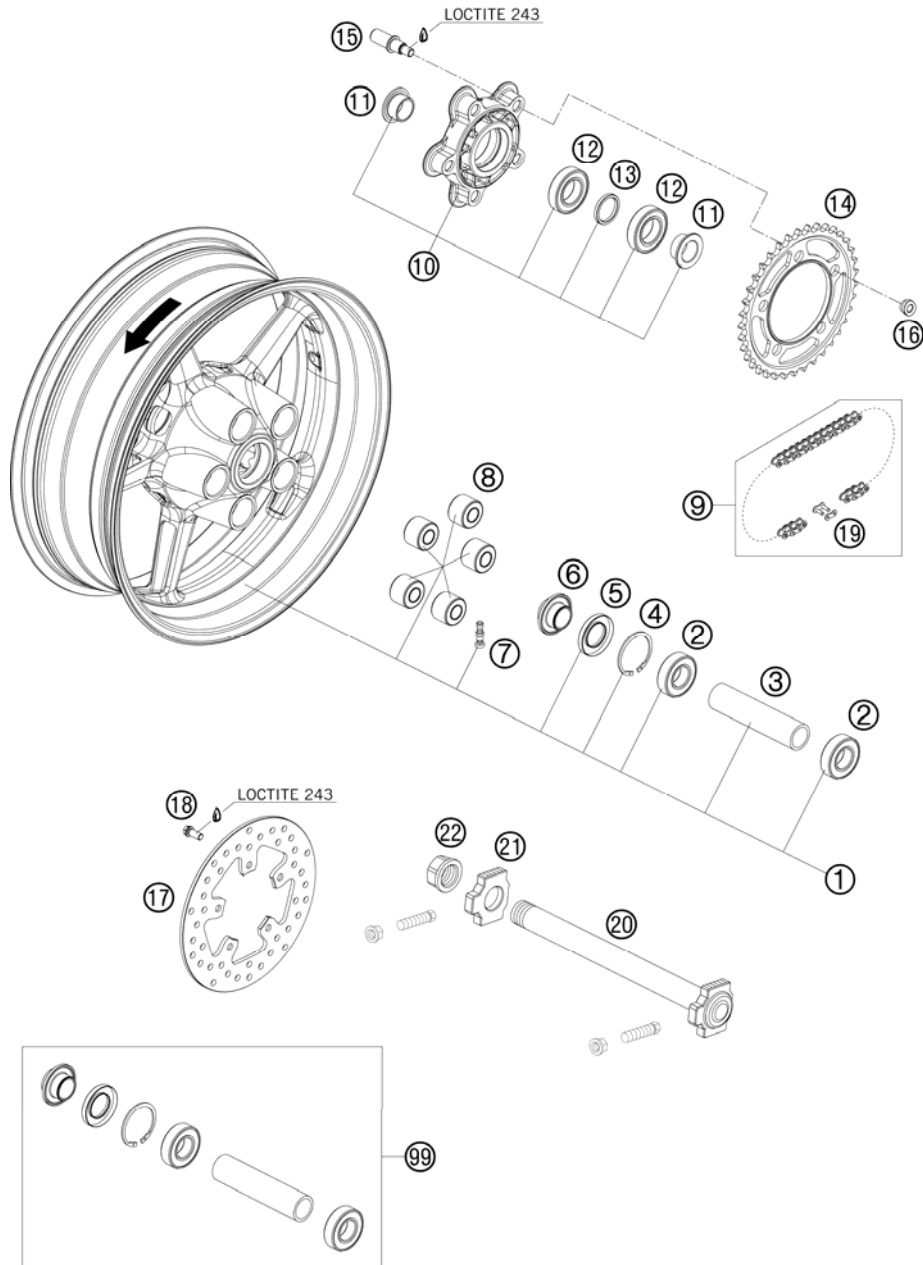


FIG	PART NUMBER	DESCRIPTION	QTY
1	6901000104430	REARWHEEL ALU BLACK 6,0X17	1
2	0625062052	GR.BALL BEAR. 6205-2RSHC3HMTF7	2
3	69010011000	BEARING SPACER TUBE	1
4	0472052200	CIRCLIP DIN0472-52X2	1
5	0760305271	SHAFT SEAL RING 30X52X7	1
6	69010013000	DIST.BUSHING REAR WHEEL R/S 08	1
7	58709076000	VALVE CPL. BREMBO DUKE 2003	1
8	61010059000	DAMPING RUBBER 05	5
9	69010065108	CHAIN DID 525 HV2 108 ROLLS	1
10	69010050044	SPROCKET SUPPORT CPL.	1
11	69010012000	SPACER CHAIN WHEEL SUPPORT	2
12	0625060060	BALL BEARING 6006 DDU2CG23S6NM	2
13	69010054000	BEAR.DIST. RING 30,3X37,8X4,65	1
14	69010051037	CHAIN WHEEL STEEL 37-T RC8	1
15	61010056000	BOLT FOR SPROCKET SUPPORT 05	5
16	61010057000	NUT REAR SPROCKET 05	5
17	69010060000	BRAKE DISC KTM 690 08	1
18	61009062018	SPECIAL SCREW M8X18 05	5
19	69010066000	CONNECTING LINK F. 69010065108	1
20	69010081044	WHEEL SPINDLE REAR 08	1
21	60010084000	CHAIN TENSIONER R/S LC8 03	1
22	61010086000	COLLAR NUT M25X1,5 WS=32 05	1
99	69010015000	REAR WHEEL REPAIR KIT	1

086901010 / C086901010

* NEW PART

X AS REQUIRED

WIRING HARNESS

1190 RC 8 ORANGE EU 2009

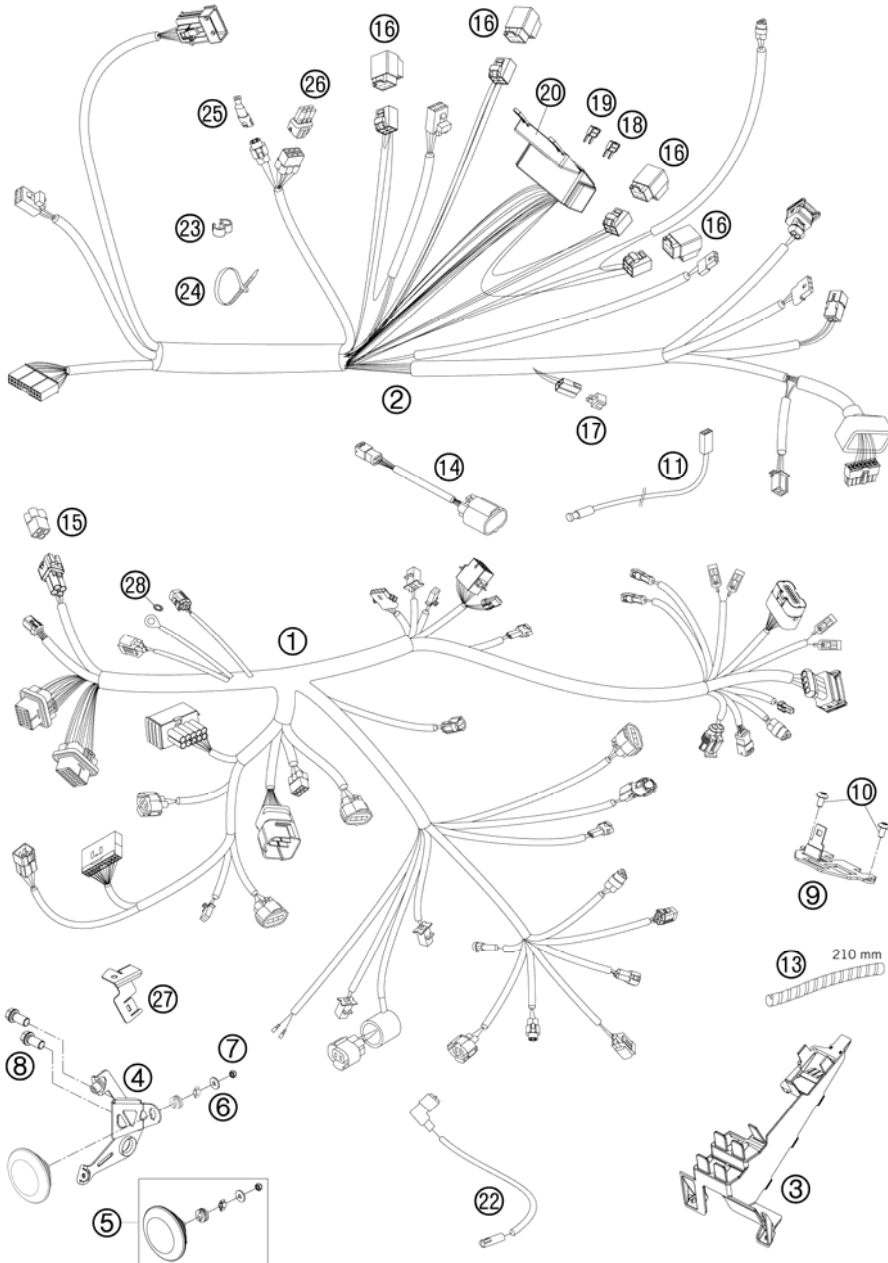


FIG	PART NUMBER	DESCRIPTION	QTY
1*	69011075100	MAIN WIRING HARNESS	1
2	69011077000	WIRING HARNESS FRAME REARPART	1
3	69011048000	BRACKET FOR PLUGS	1
4	69011060010	HORN BRACKET RC8 CPL.	1
5	69011060000	HORN CPL.	1
6	0021050003	WASHER DIN9021-A 5,3	1
7	0985050003	SELF LOCKING NUT DIN0985-M 5	1
8	0025080166S	HH COLLAR SCREW M8X16 TX40	2
9	69011049000	PLUG BORD STEERING HEAD	1
10	58605083010	SCREW TORX M5X10 05	2
11	61111018000	TEMPERATURE SENSOR 07	1
13	58513001000	SPIRAL HOSE D=9MM PER METER	x
14	61111020000	STARTER INTERLOCK	1
15	000700000AN	SPARE CONNECTOR AN 4-PINS	1
16	61111057000	RELAY CM1A-R-12V-H80 07	4
17	58411096100	DIODE S3H-15 97	1
18	75011088015	FUSE 15A 07	x
19	75011088010	FUSE 10A 07	x
20	75011087050	RUBBER CASING FOR FUSE BOX	1
22	60011092000	OIL-PRESSURE SWITCH CABLE 03	1
23	60111094000	CLAMP 5/7 MM 06	1
24	44011076100	CABLE TIE 100/2,5MM BLACK	x
24	44011076200	CABLE TIE 200/3,6MM BLACK	x
24	44011076305	CABLE TIE 300/4,8MM BLACK	x
24	69011092000	CABLE TIE W. SOCKET D=6,5	2
25	69011040000	END PLUG CAN-BUS 08	1
26	000700000BH	SPARE CONNECTOR BH 6-PINS	1
27	69011078050	BRACKET F. PLUG RC8 08	1
28*	58411098100	CONTACT WASHER M6 VSV-K6	1

096901110 / C096901110

* NEW PART

X AS REQUIRED

BATTERY

1190 RC 8 ORANGE EU 2009

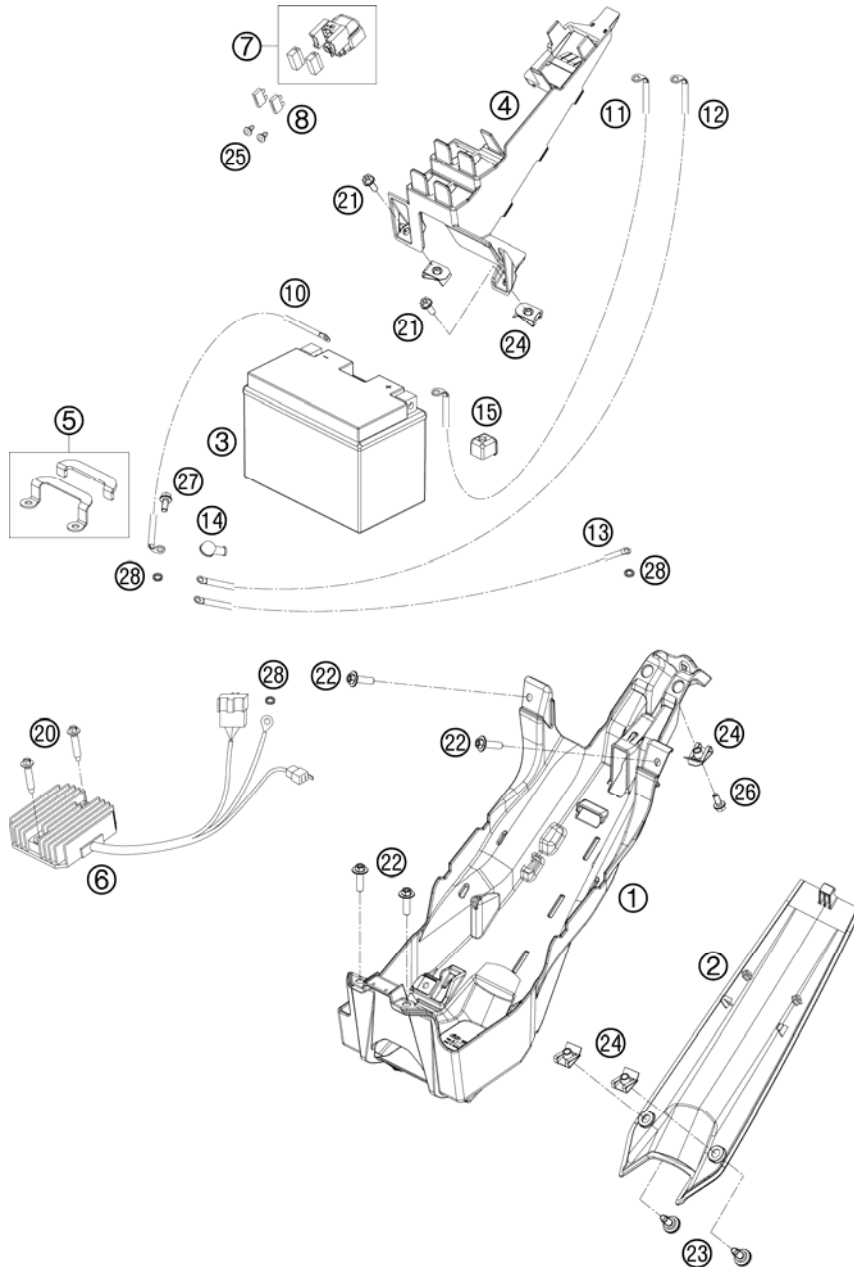


FIG	PART NUMBER	DESCRIPTION	QTY
1	69008019000	TAIL END LOWER PART RC8	1
2	6900803200033	LOWER REAR END PANEL	1
3	60011053000	BATTERY 12V/11AH 03	1
4	69011048000	BRACKET FOR PLUGS	1
5	69011055044	BATTERY RETAINING PLATE CPL.	1
6	60011034100	VOLTAGE REGULATOR	1
7	58211058000	STARTER RELAY 12V '99	1
8	58011109130	FUSE 30 A	2
10	69011097000	GROUND CABLE	1
11	69011059050	BATTERY CABLE	1
12	69011059000	STARTER CABLE	1
13	69011096000	GROUND CABLE STARTER TO FRAME	1
14	60040009000	RUBBER CAP STARTER PORT 03	1
15	69011059060	COVER F. POSITIVE POLE RC8 08	1
20	0017060303	SPECIAL SCREW T60 6X30 WS=6	2
21	58605083010	SCREW TORX M5X10 05	2
22	0024060206	HH COLLAR SCREW M6X20 TX30	4
23	69008021060	SPECIAL SCREW M5X17	2
24	69008021080	RANGE CHANGE METAL NUT M5	5
25	0902060083	AH OVAL SCREW ISO 7380 M 6X8	2
26	0025050126	HH COLLAR SCREW M5X12 TX30	1
27	0025060126	HH COLLAR SCREW M6X12 TX30	1
28*	58411098100	CONTACT WASHER M6 VSV-K6	2

096901130 / C096901130

* NEW PART

X AS REQUIRED

HAND BRAKE CYLINDER

1190 RC 8 ORANGE EU 2009

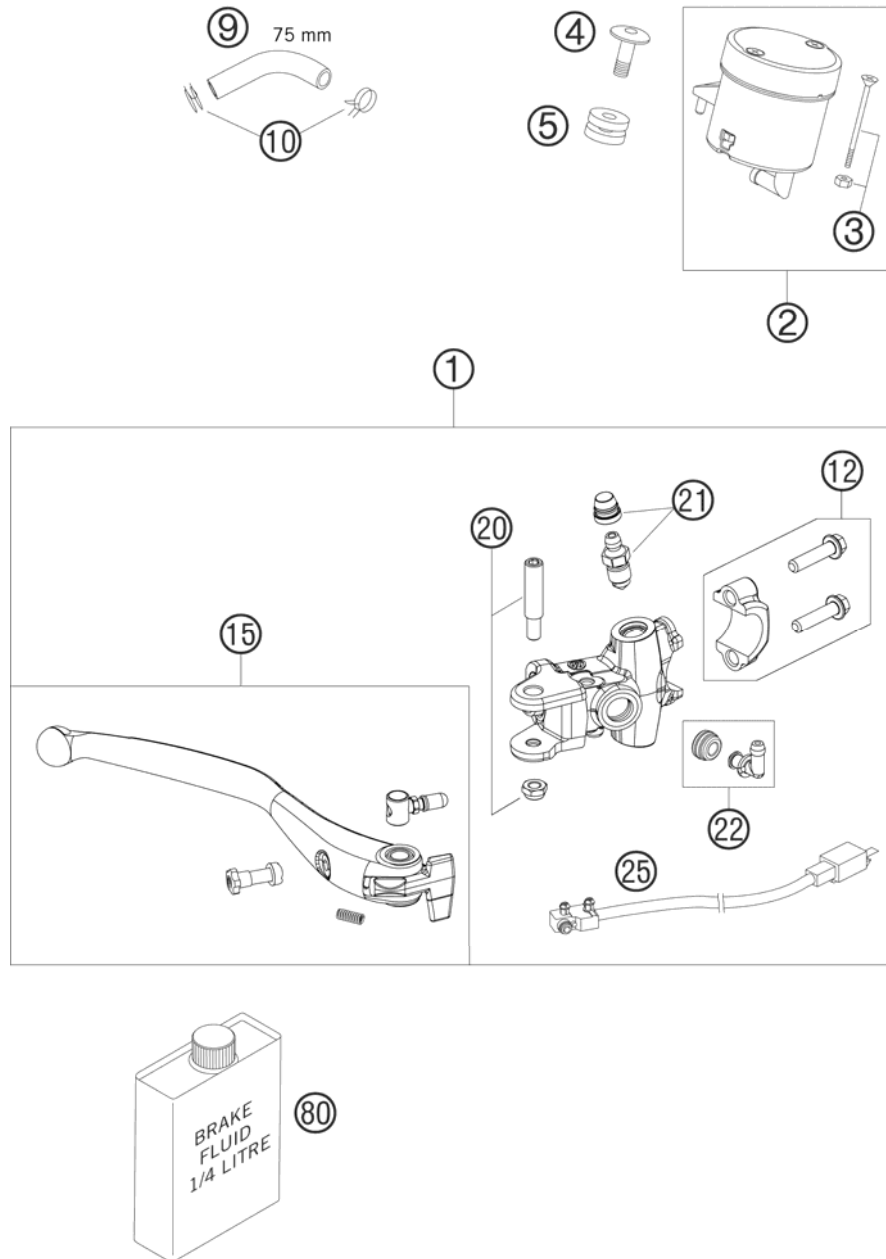


FIG	PART NUMBER	DESCRIPTION	QTY
1	69013001000	HAND BRAKE CYL. RADIAL 18MM	1
2	61013009002	BRAKE FLUID RESERVOIR CPL.	1
3	61013009003	SCREW + NUT FOR RESERVOIR	1
4	61013013050	SCREW RET.PANEL-RESERVOIR	1
5	61013013000	RUBBER BUSH 05	1
9	58007016101	HOSE FOR RESERVOIR 6X1,5	x
10	58007017000	YDNAC CLAMP 10101 (9MM)	2
12	69013005000	CLAMP CPL. 08	1
15	61013002044	HAND BRAKE LEVER 05	1
20	61013006000	LEVER SCREW CPL. 05	1
21	60013020000	BLEEDER SCREW WITH CAP	1
22	54513155000	ANGLE PIECE	1
25	61011050000	BRAKE LIGHT SWITCH FRONT 05	1
80	00062030000	BRAKE FLUID DOT5.1 0,25L	1

086901310 / C086901310

* NEW PART

X AS REQUIRED

BRAKE CALIPER FRONT

1190 RC 8 ORANGE EU 2009

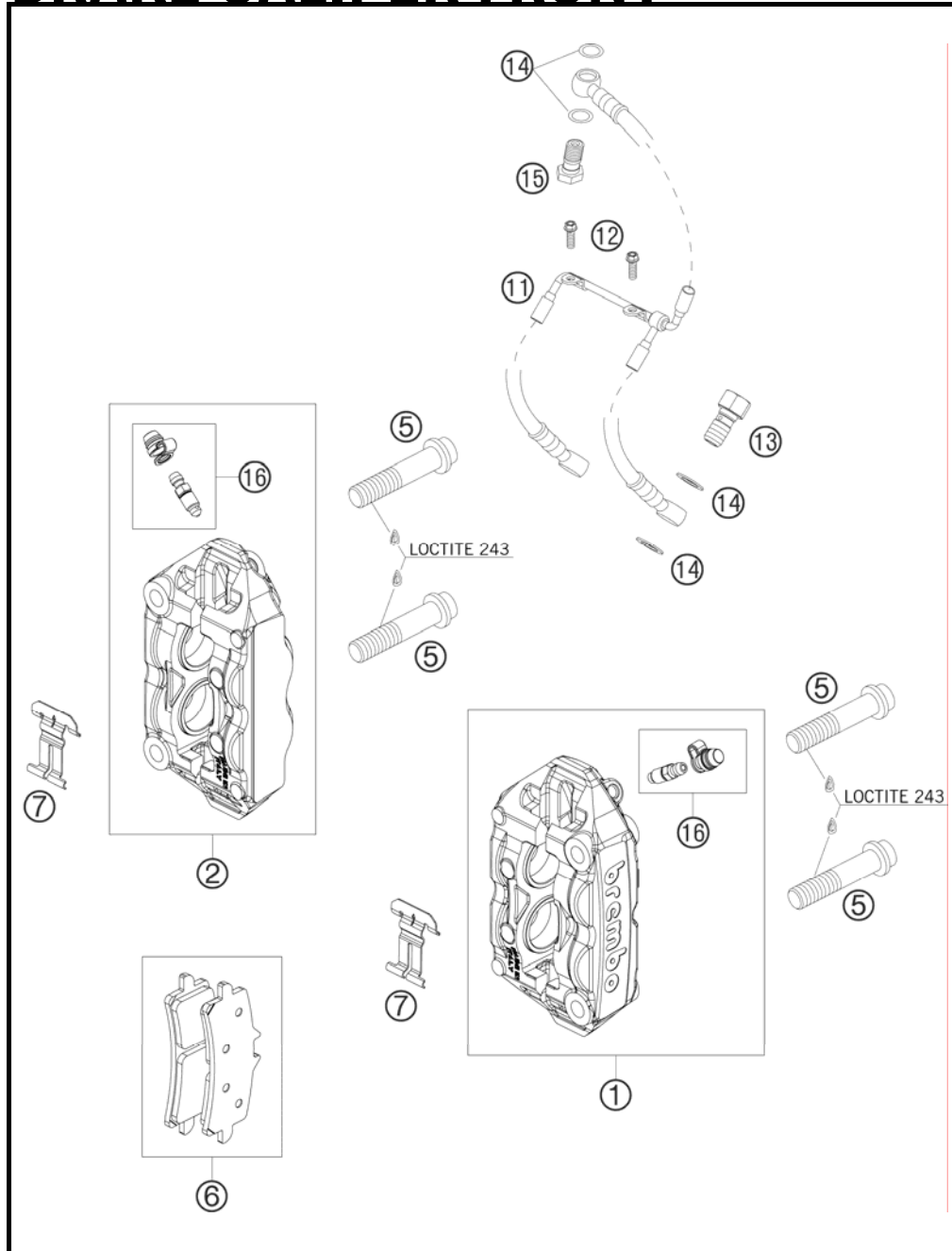


FIG	PART NUMBER	DESCRIPTION	QTY
1	69013015001	BRAKE CAL. L/S - WITHOUT PADS	1
2	69013016001	BRAKE CAL. R/S - WITHOUT PADS	1
5	0035100559	AH-COLLAR SCREW M10X1,25X55	4
6	69013030000	BRAKE-PADS FRONT TOSH.TT2172HH	2
7	69013018000	SPRING PLATE	2
11	69013012000	BRAKE TUBE FRONT RC8	1
12	0025060126	HH COLLAR SCREW M6X12 TX30	2
13	54813020100	HOLLOW SCREW BLACK M10X1X19	2
14	0603100141	COPPER GASKET DIN7603-10X14X1	6
15	69013025000	HOLLOW SCREW M10X1X19 SW12	1
16	61013020100	BLEEDER SCREW WITH CAP	2

086901360 / C086901360

* NEW PART

X AS REQUIRED



REAR BRAKE CONTROL

1190 RC 8 ORANGE EU 2009

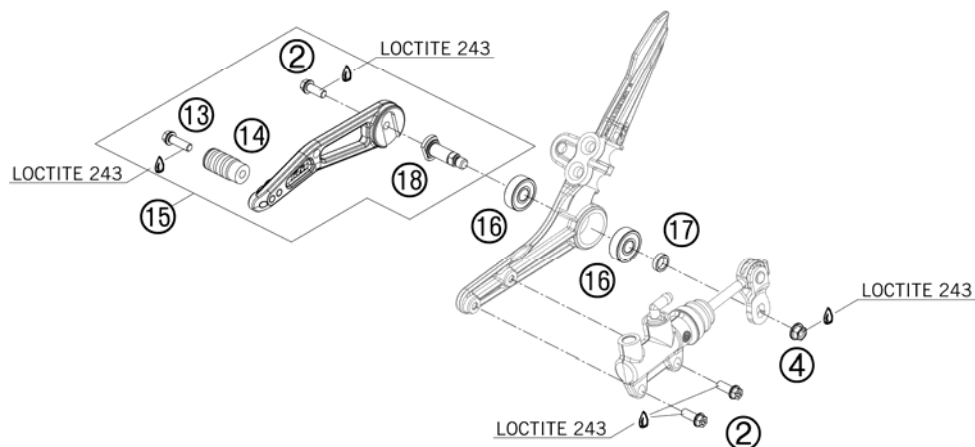
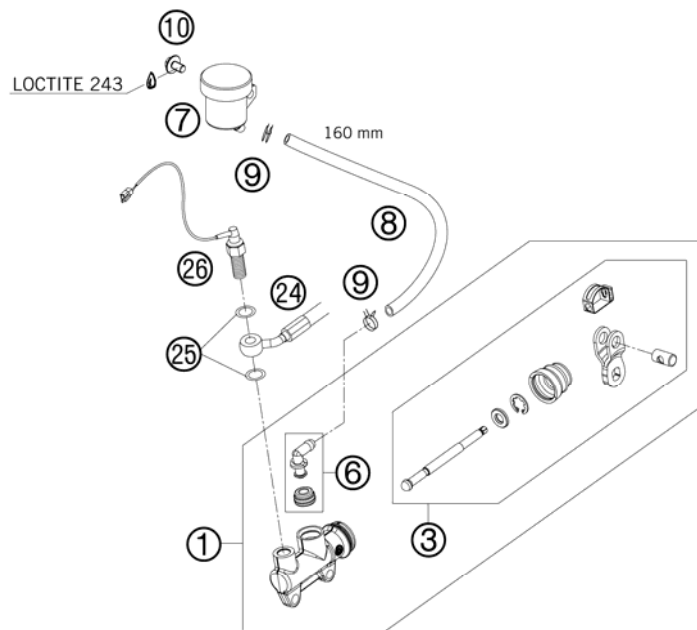


FIG	PART NUMBER	DESCRIPTION	QTY
1	69013060044	MAIN BRAKE CYLINDER REAR CPL.	1
2	0025060166S	HH COLLAR SCREW M6X16 ISA 30	3
3	69013062000	PUSH ROD SET	1
4	49030028000	COLLAR NUT M8	1
6	54513155000	ANGLE PIECE	1
7	61013069000	RESERVOIR REAR CPL. 05	1
8	58007016101	HOSE FOR RESERVOIR 6X1,5	x
9	58007017000	YDNAC CLAMP 10101 (9MM)	2
10	69013099050	SCREW F. EXPANSION TANK	1
13	0912060203	AH SCREW DIN0912-M 6X20	1
14	58303060051	BRAKE LEVER PEDAL DUKE'94	1
15*	6901305004401S	BRAKE LEVER CPL. RC8	1
16	0625060002	BALL BEARING SKF 6000-2RS1	2
17	69013054000	SPACER F. BRAKE-LEV.-REDIRECT.	1
18	69013051000	SHAFT F. BRAKE-LEVER-REDIRECT.	1
24	69013072000	BRAKE TUBE REAR	1
25	0603100141	COPPER GASKET DIN7603-10X14X1	2
26	61011051000	BRAKE LIGHT SWITCH REAR 05	1

086901330 / C096901330

* NEW PART

X AS REQUIRED

BRAKE CALIPER REAR

1190 RC 8 ORANGE EU 2009

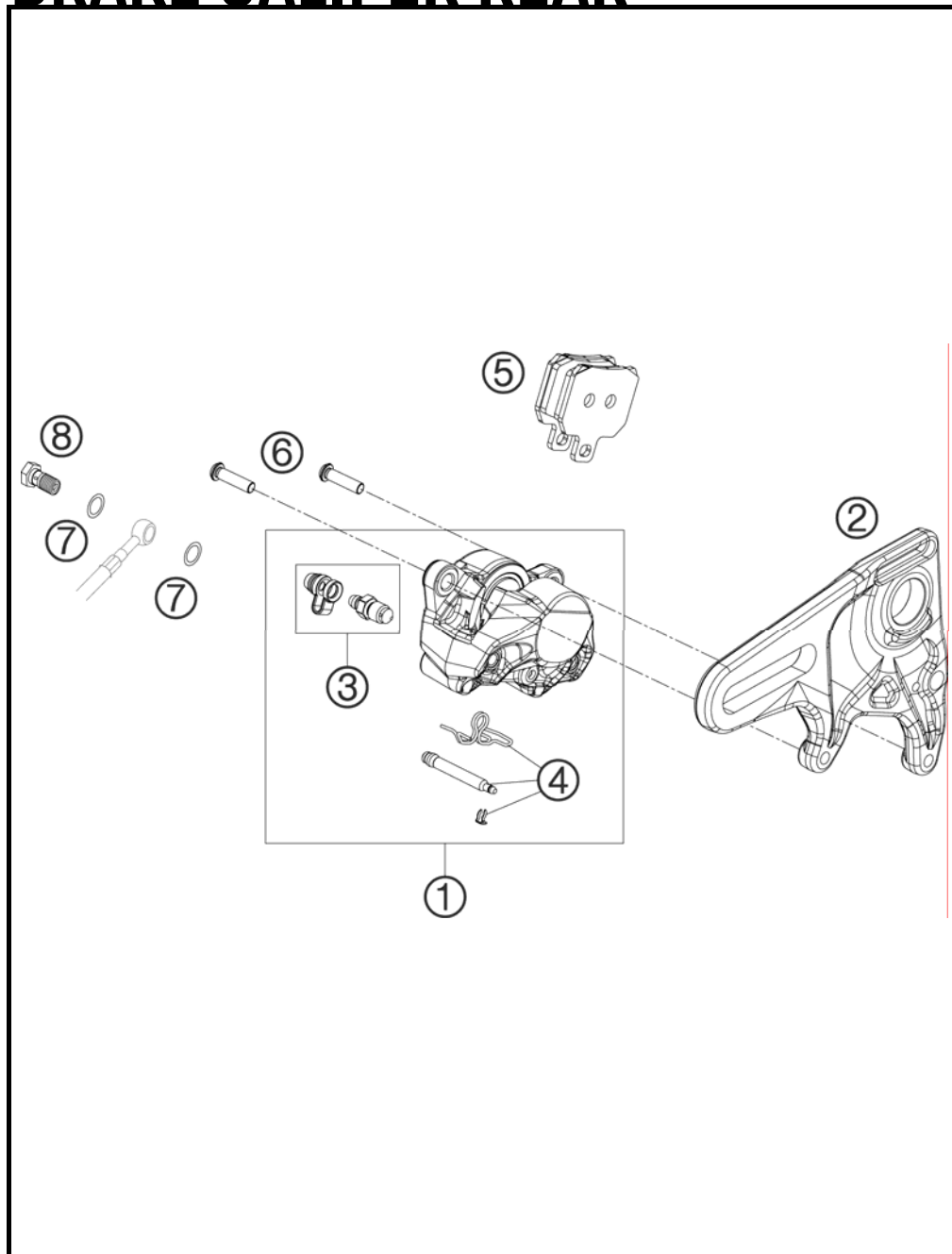


FIG	PART NUMBER	DESCRIPTION	QTY
1	69013080001	BRAKE CALI. RE. - WITHOUT PADS	1
2*	6901307500001	BRAKE-CALIPER SUPPORT	1
3	69013020000	BLEEDER SCREW WITH CAP	1
4	69013082000	BOLT KIT 08	1
5	69013090000	BRAKE-PADS REAR SBS S40GF	1
6	69013076000	SCREW F. BRAKE CALIPER	2
7	0603100141	COPPER GASKET DIN7603-10X14X1	2
8	54813020100	HOLLOW SCREW BLACK M10X1X19	1

086901390 / C096901390

* NEW PART

X AS REQUIRED

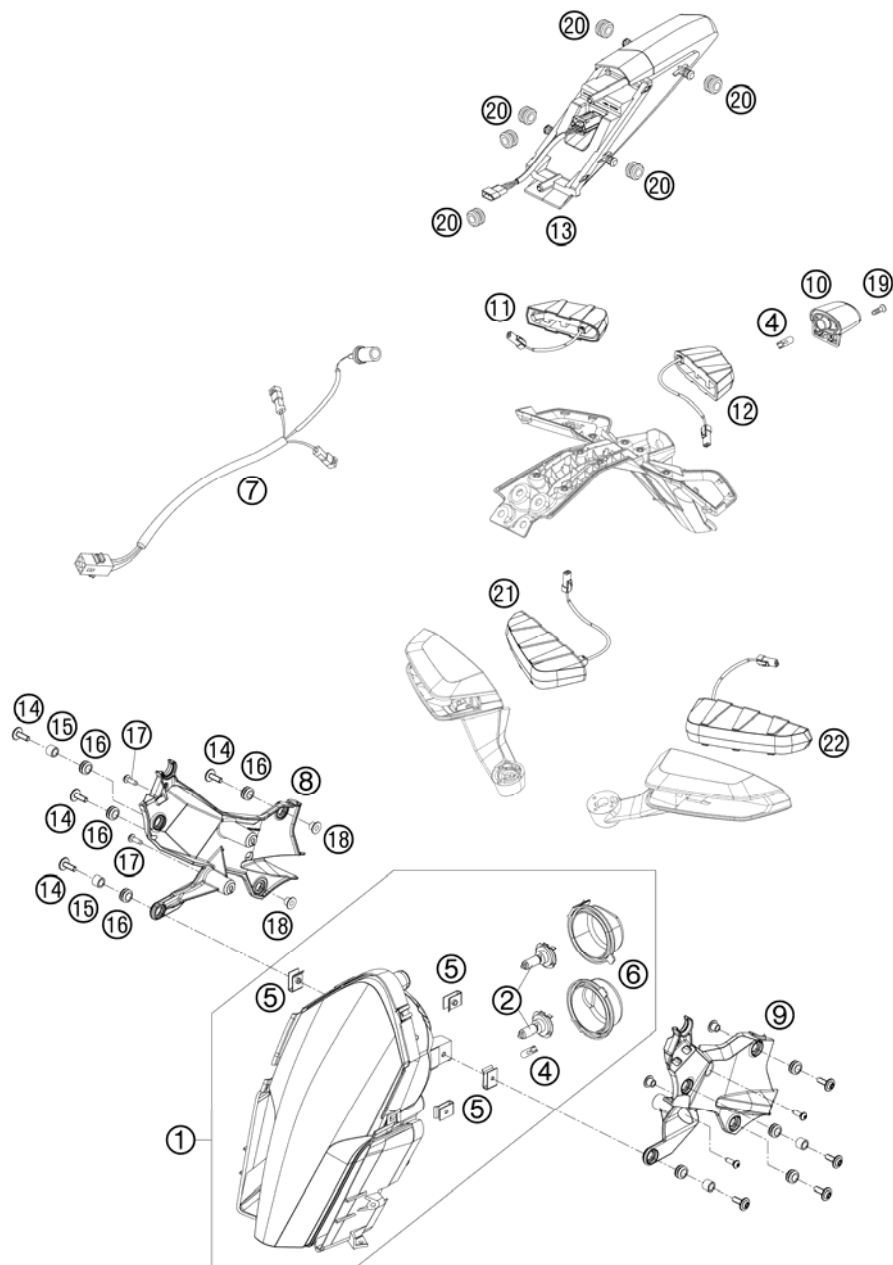


FIG	PART NUMBER	DESCRIPTION	QTY
1	69014001000	HEADLIGHT RC8	1
2	60014003100	BULB H7 12V 55W	2
4	49011435100	BULB 12V 5W (W2,1X9,5D) PHIL.	2
5	69008021080	RANGE CHANGE METAL NUT M5	4
6	69014001050	RUBBER CAP FOR HEADLIGHT 08	2
7	69011076000	WIRING HARN. NUMB.-PLATE ILLU.	1
8	6901401100033	HEAD LIGHT BRACKET R/S 08	1
9	6901401000033	HEAD LIGHT BRACKET L/S 08	1
10	75014047000	LICENSE PLATE ILLUMINATION 07	1
11	69014025000	FLASHER FR.L/S / RE.R/S EU 08	1
12	69014026000	FLASHER FR.R/S / RE.R/S EU 08	1
13	69014040000	REAR LIGHT CPL.	1
14	69014017000	SPECIAL SCREW M6X18 ISA30 08	8
15	69014014000	BUSHING 6,1X9,2X7,5 08	4
16	60006001022	RUB.SLEEVE FLOAT CHAMB.VENTING	8
17	0081050161	EJOT PT SCREW K50X16 1451	4
18	69014015000	BUSHING HEAD LIGHT 08	4
19	0081040161	SCREW FOR PLASTIC K40X16 T20	1
20	69014078000	RUBBER SLEEVE 10X14X20 08	6
21	69014526000	FLASHER FR.R/S / RE.L/S USA 08	1
22	69014525000	FLASHER FR.L/S / RE.R/S USA 08	1

086901410 / C086901410

* NEW PART

X AS REQUIRED

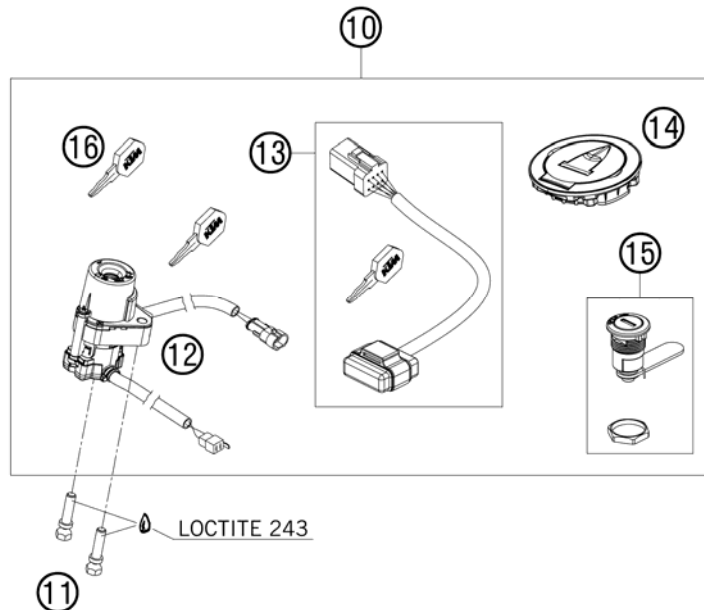
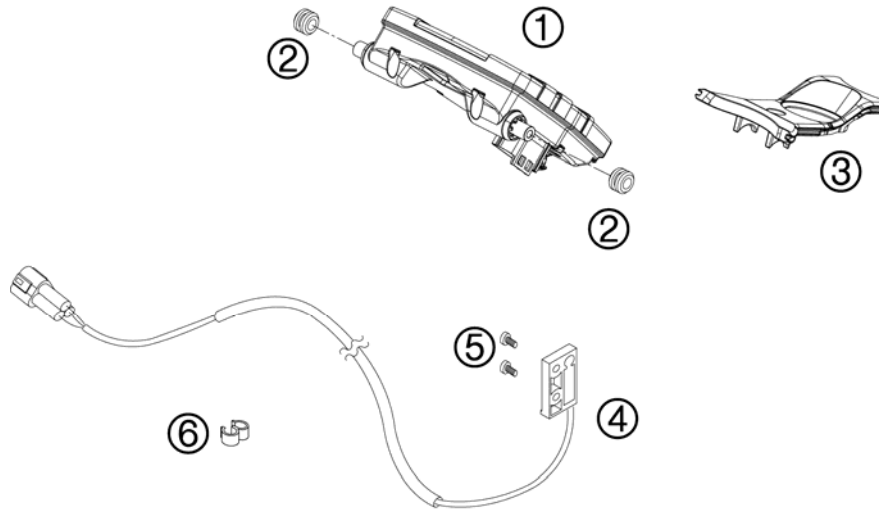


FIG	PART NUMBER	DESCRIPTION	QTY
1*	69014069100	SPEEDOMETER KM/H 09	1
2	69014078000	RUBBER SLEEVE 10X14X20 08	2
3	69014012000	COVER IGNITION LOCK 08	1
4*	61014068000	SPEEDOMETER SENSOR 06	1
5	0084040083	CYL.HEAD SCREW DIN0084-M 4X8 A	2
6	60111094000	CLAMP 5/7 MM 06	2
10*	69011066144	LOCK KIT RC8 09	1
11	61111064000	TAMPER-PROOF SCREW 07	2
12*	69011066100	STARTER LOCK RACELOCK W. ANT.	1
13	69011021000	IMMOBILIZER 08	1
14	69007008000	TANK CAP	1
15	69007050000	SEAT LOCK	1
16	69011067000	KEY WITH TRANSPONDER	1

086901430 / C096901430

* NEW PART

X AS REQUIRED

ACCESSORIES KIT

1190 RC 8 ORANGE EU 2009

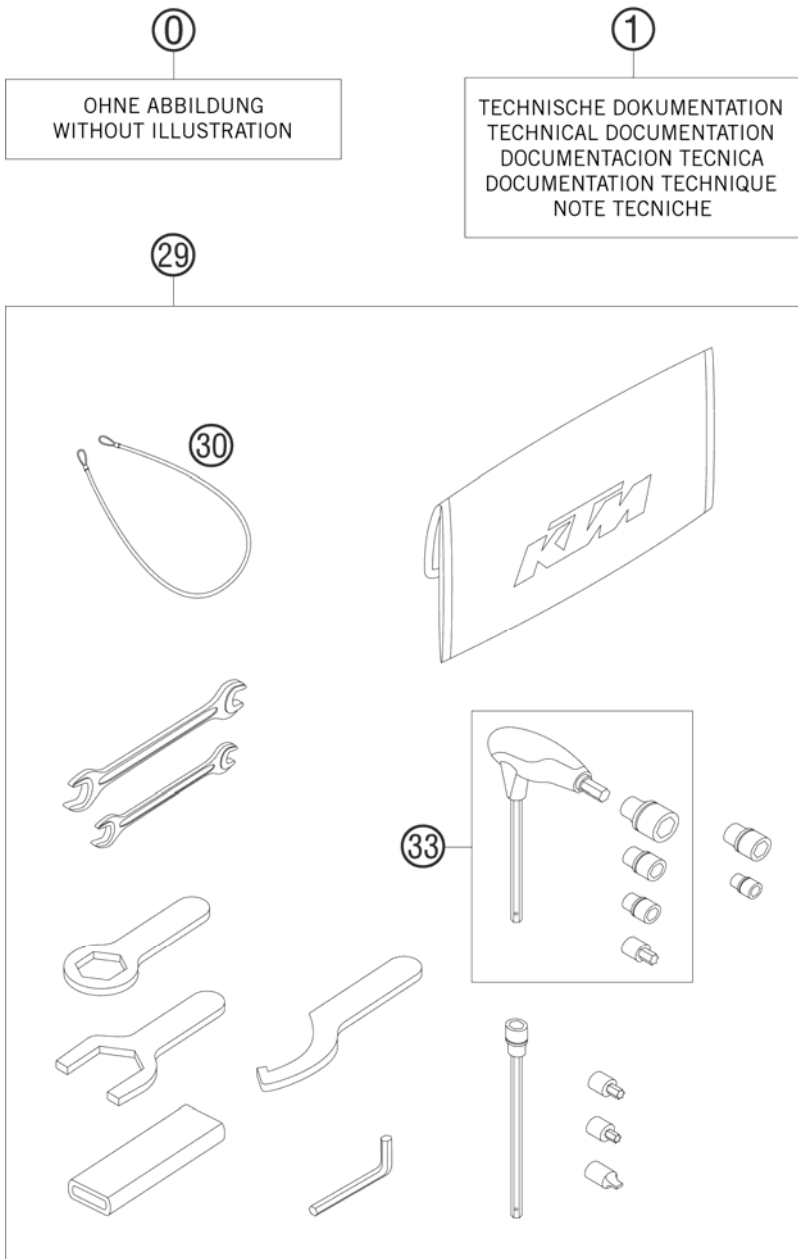


FIG	PART NUMBER	DESCRIPTION	QTY
0	00063099111	BAG FOR INSTRUCTION MANUAL	1
0	0021060003	WASHER DIN9021-A 6,4	4
0	0024060156	HH COLLAR SCREW M6X15 TX30	4
0	0025080506	HH COLLAR SCREW M8X50 TX40	2
0	0025080556	HH COLLAR SCREW M8X55 TX40	2
0	0125050003	WASHER DIN0125-A 5,3	2
0	0966050163	OVAL HEAD SCREW DIN0966-M 5X16	2
0	0985050003	SELF LOCKING NUT DIN0985-M 5	2
0	0985060003	SELF LOCK. NUT DIN0985-M 6	4
0	312305	DOCUMENTS BAG 2006	1
0	312313	KTM BALLPOINT ORANGE	1
0	3210039	CUSTOMER WELCOME LETTER	1
0	40006006000	WASHER 6MM	2
0	58412080000	REFLECTOR RED LC4 '98	1
0	58412080050	BRACKET FOR REFLECTOR	1
0	60012081200	LICENCE FITTING 06	1
0*	6900304803301S	FOOTREST SUPPORT REAR L/S CPL.	1
0*	6900304903301S	FOOTREST SUPPORT REAR R/S CPL.	1
0	69007047000	PASSENGER SEAT	1
1	3211373EN	OWN. MANUAL 1190 RC8 09	1
29	69029099000	TOOL KIT	1
30	60012015000	HELMET LOCK 04	1
33	60029070200	T-WRENCH WS=6/8/10 TX=45 B&F	1

086902001 / C096902001

* NEW PART

X AS REQUIRED





KTM-Sportmotorcycle AG
A-5230 Mattighofen
www.ktm.at

KTM Group Partner



3CF990310EN



Art.Nr.: 3CF990310EN 9/2008