

# 1190 RC 8 R EU 2009

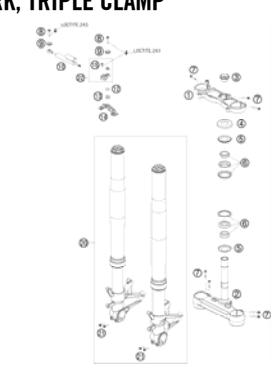
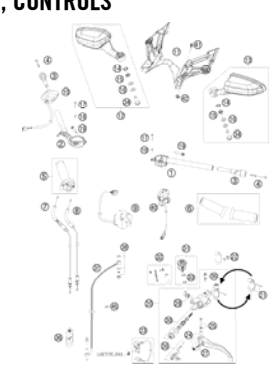
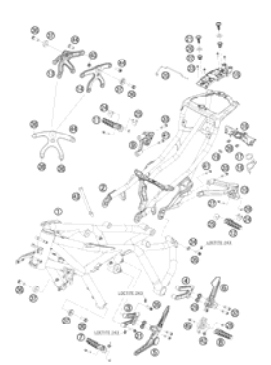
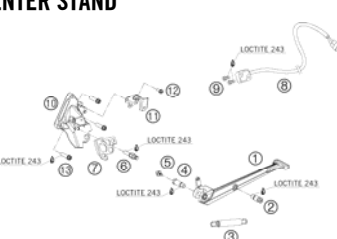
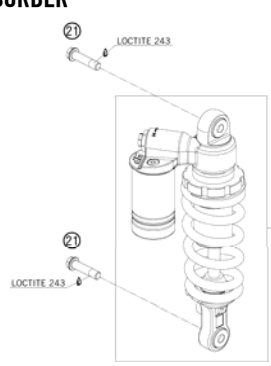
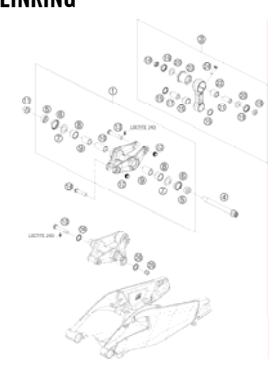
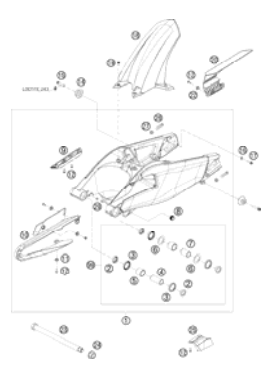
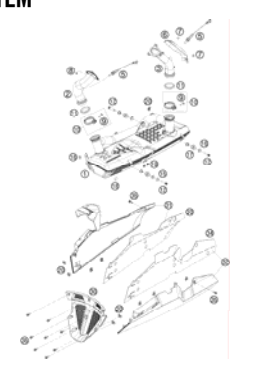
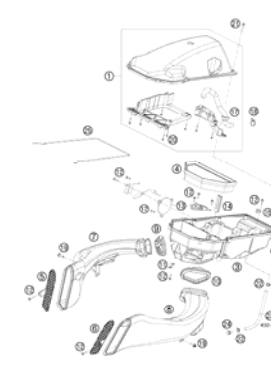
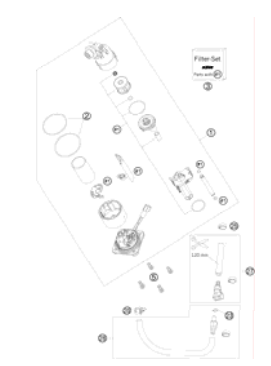
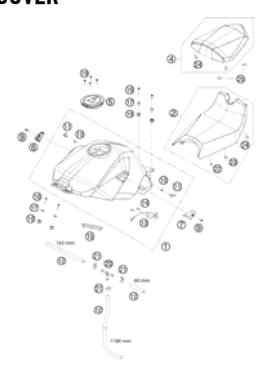

**SPARE PARTS MANUAL: CHASSIS**

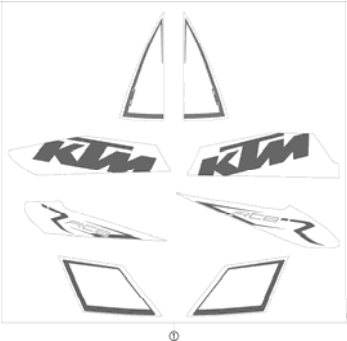
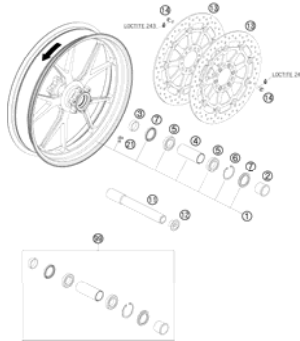
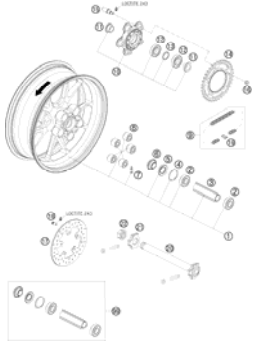
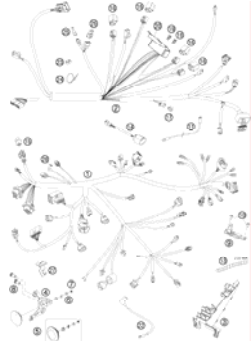
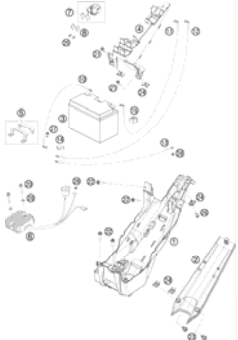


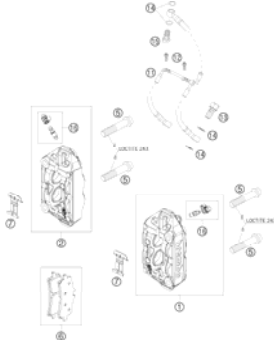
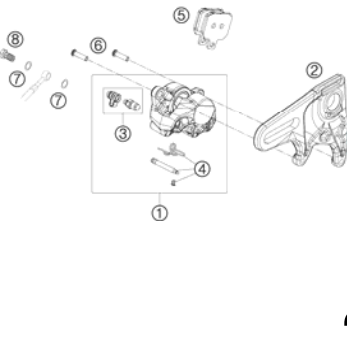
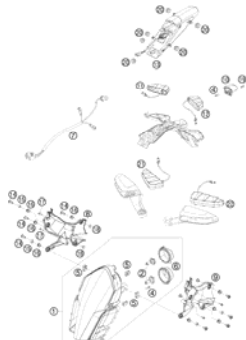
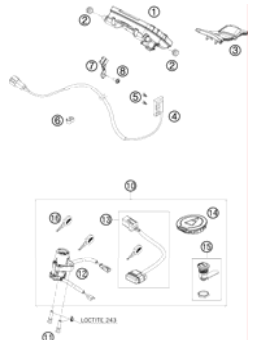
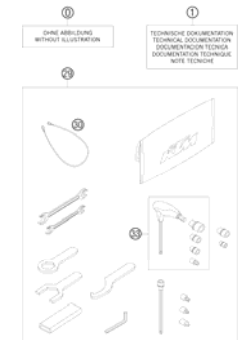
ART.NO.: 3CF9903I2EN


ENGLISH





<p><b>FRONT FORK, TRIPLE CLAMP</b></p>  <p><b>4</b></p>	<p><b>HANDLEBAR, CONTROLS</b></p>  <p><b>5</b></p>	<p><b>FRAME</b></p>  <p><b>7</b></p>	<p><b>SIDE / CENTER STAND</b></p>  <p><b>9</b></p>
<p><b>SHOCK ABSORBER</b></p>  <p><b>10</b></p>	<p><b>PRO LEVER LINKING</b></p>  <p><b>11</b></p>	<p><b>SWING ARM</b></p>  <p><b>12</b></p>	<p><b>EXHAUST SYSTEM</b></p>  <p><b>13</b></p>
<p><b>AIR FILTER</b></p>  <p><b>14</b></p>	<p><b>FUEL PUMP</b></p>  <p><b>15</b></p>	<p><b>TANK, SEAT, COVER</b></p>  <p><b>16</b></p>	<p><b>MASK, FENDERS</b></p>  <p><b>17</b></p>

<b>DECAL</b>  <b>19</b>	<b>FRONT WHEEL</b>  <b>20</b>	<b>REAR WHEEL</b>  <b>21</b>	<b>WIRING HARNESS</b>  <b>22</b>
<b>BATTERY</b>  <b>23</b>	<b>HAND BRAKE CYLINDER</b>  <b>24</b>	<b>REAR BRAKE CONTROL</b>  <b>25</b>	<b>BRAKE CALIPER FRONT</b>  <b>26</b>
<b>BRAKE CALIPER REAR</b>  <b>27</b>	<b>LIGHTING SYSTEM</b>  <b>28</b>	<b>INSTRUMENTS / LOCK SYSTEM</b>  <b>29</b>	<b>ACCESSORIES KIT</b>  <b>30</b>

		<p>All information contained is without obligation. KTM-Sportmotorcycle AG particularly reserves the right to modify any equipment, technical specifications, prices, colors, shapes, materials, services, service work, constructions, equipment and the like so as to adapt them to local conditions or to cancel any of the above items, all without previous announcement and without giving reasons. KTM may stop manufacturing certain models without previous notice. KTM shall not be held liable for any deviations of availability and/or ability to deliver, illustrations, descriptions, printing and/or other errors. The illustrated models partly contain extra equipment, which is not applied to standard models. © by KTM-SPORTMOTORCYCLE AG, Mattighofen AUSTRIA; All rights reserved; Reprint, also in extracts, with written allowance of KTM-SPORTMOTORCYCLE AG, Mattighofen only.</p>	

# FRONT FORK, TRIPLE CLAMP

1190 RC 8 R EU 2009

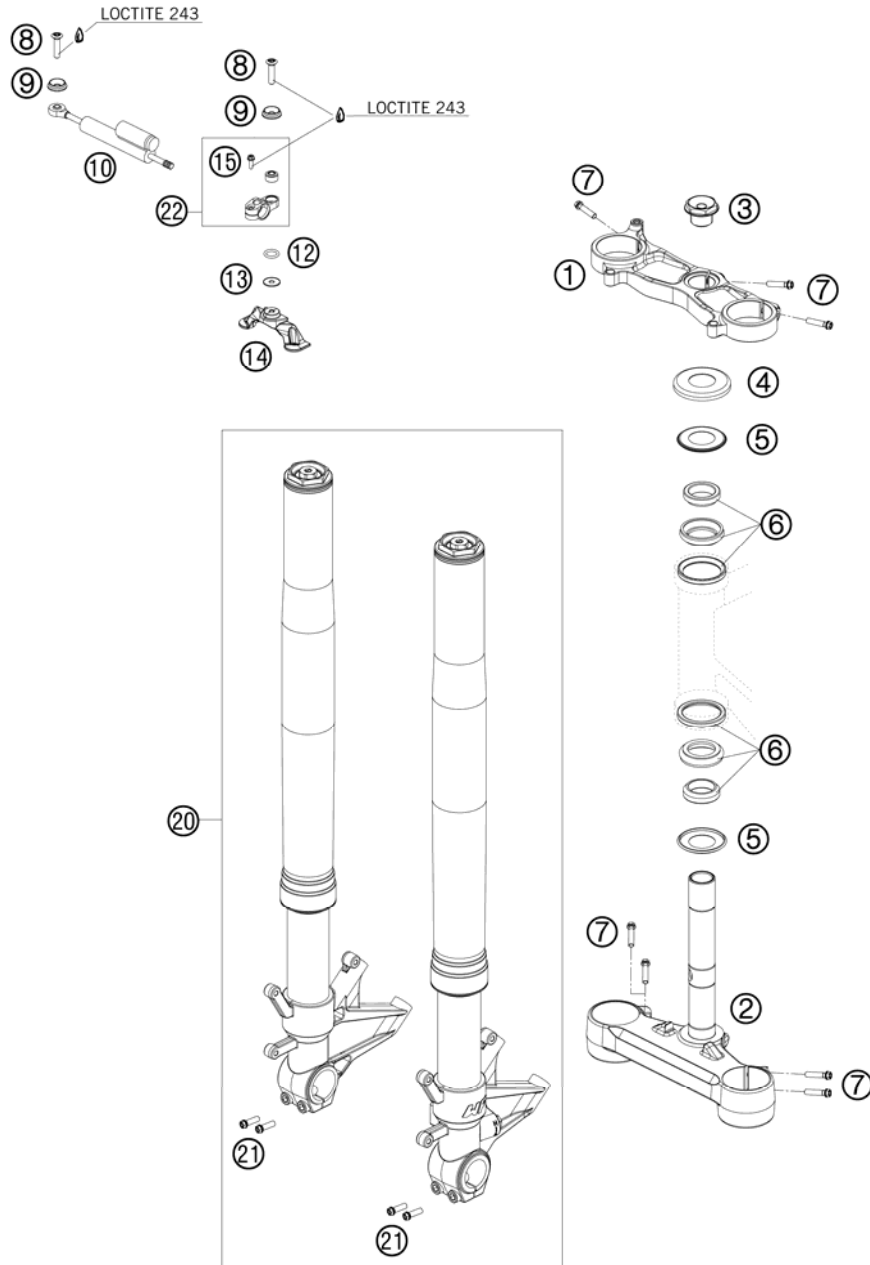


FIG	PART NUMBER	DESCRIPTION	QTY
1	6910103402833	TOP TRIPLE CLAMP CHAPED BL.MAT	1
2	6910103202833S	LOWER TRIPLE CLAMP CPL. BLACK	1
3	6900103600001	STEERING HEAD SCREW 09	1
4	69001086100	PROT. RING STEER. HEAD BEARING	1
5	69001084000	O-RING SUPPORT W. SEALING LIP	2
6	69001081000	STEERINGHEAD BEARING CPL.	2
7	0025080356	HH COLLAR SCREW M8X35 TX40	7
8	0019080356	COUNTERSUNK SCREW ISA45 M8X35	2
9	69012005050	SPECIAL WASHER ALU 8X22MM	2
10	16180D01	STEERING DAMPER 1508	1
12	0770120025	O-RING 12X2,5 NBR 70	1
13	69012060060	WASHER F. STEERING DAMPER RC8	1
14	6901200600033	STEERING DAMPER SUPPORT 09	1
15	0025050166	HH COLLAR SCREW M5X16 TX30	1
20	05187E1001	FORK KTM RC8 R 2009	1
21	0025080306	HH COLLAR SCREW M8X30 TX40	4
22	15080120S	CLAMP CPL. + SCREW 08	1

096910110 / C096910110

\* NEW PART

X AS REQUIRED

# HANDLEBAR, CONTROLS

1190 RC 8 R EU 2009

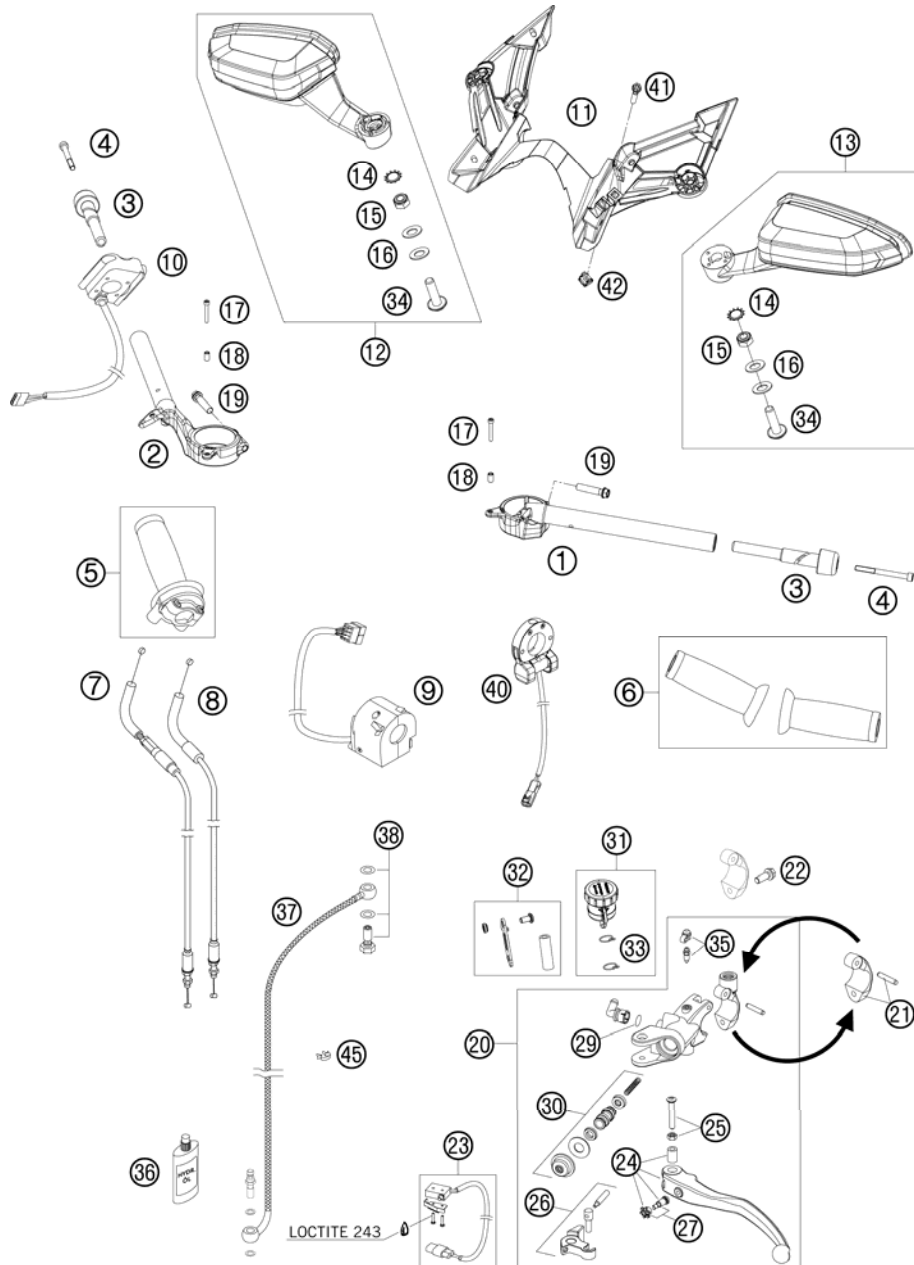


FIG	PART NUMBER	DESCRIPTION	QTY
1	6900210100033S	CLIP ON L/S 09	1
2	6900220100033S	CLIP ON R/S 09	1
3	69002004000	VIBRATION ABSORBER 08	2
4	0912060653	AH SCREW DIN0912-M 6X65	2
5	69002010000	THROTTLE GRIP CPL. 08	1
6	69002021000	GRIP-SET WITH OPEN END 08	1
7	69002091000	THROTTLE CABLE OPEN	1
8	69002092000	THROTTLE CABLE CLOSE	1
9	61011070000	LIGHT SWITCH 05	1
10	58411074100	START-STOP SWITCH AD LC4 02	1
11	6901204200033	MIRROR BRACKET 08	1
12	69012041100	MIRROR R/S CPL. W. FLASHER	1
13	69012040100	MIRROR L/S CPL. W. FLASHER	1
14	69012040030	DISK SPRING 12,5X6,2X0,35	2
15	69012040040	ALUMINUM WASHER	2
16	69012040020	WASHER 20X8,2X2	4
17	014579050356	CYL. SCREW DIN14579 M5X35	2
18	69002003000	DISTANCE BUSHING TRIPLE CLAMP	2
19	0025080356	HH COLLAR SCREW M8X35 TX40	2
20	61002030000	MASTER CYLINDER CPL. 05	1
21	61002044100	CLAMP WITH PIN	1
22	0025060166	HH COLLAR SCREW M6X16 TX30	1
23	61011049000	CLUTCH SWITCH 05	1
24	61002031000	CLUTCH LEVER CPL. 05	1
25	61002038000	LEVER SCREW CPL. 05	1
26	61002056000	ROCKER CPL. 05	1
27	61002043000	ADJUSTING SCREW CPL.	1
29	61002051000	O-RING ANGLE PIECE	1
30	61002032000	REP.SET PISTON D=13 05	1
31	61002055000	RESERVOIR CPL. 05	1
32	69032070044	BRACKET F. CLUTCH RES. CPL.RC8	1
33	58007117000	YDNAC-CLAMP 10107 10MM	2
34	69012040010	OVAL HEAD SCREW M8x30	2
35	61002054000	BLEEDER SCREW WITH CAP	1
36	50302036200	OIL FOR HYD. CLUTCH 75ML	1
37	61032063000	CLUTCH PIPE 05	1

086900210 / C096910210

\* NEW PART

X AS REQUIRED

# HANDLEBAR, CONTROLS

1190 RC 8 R EU 2009

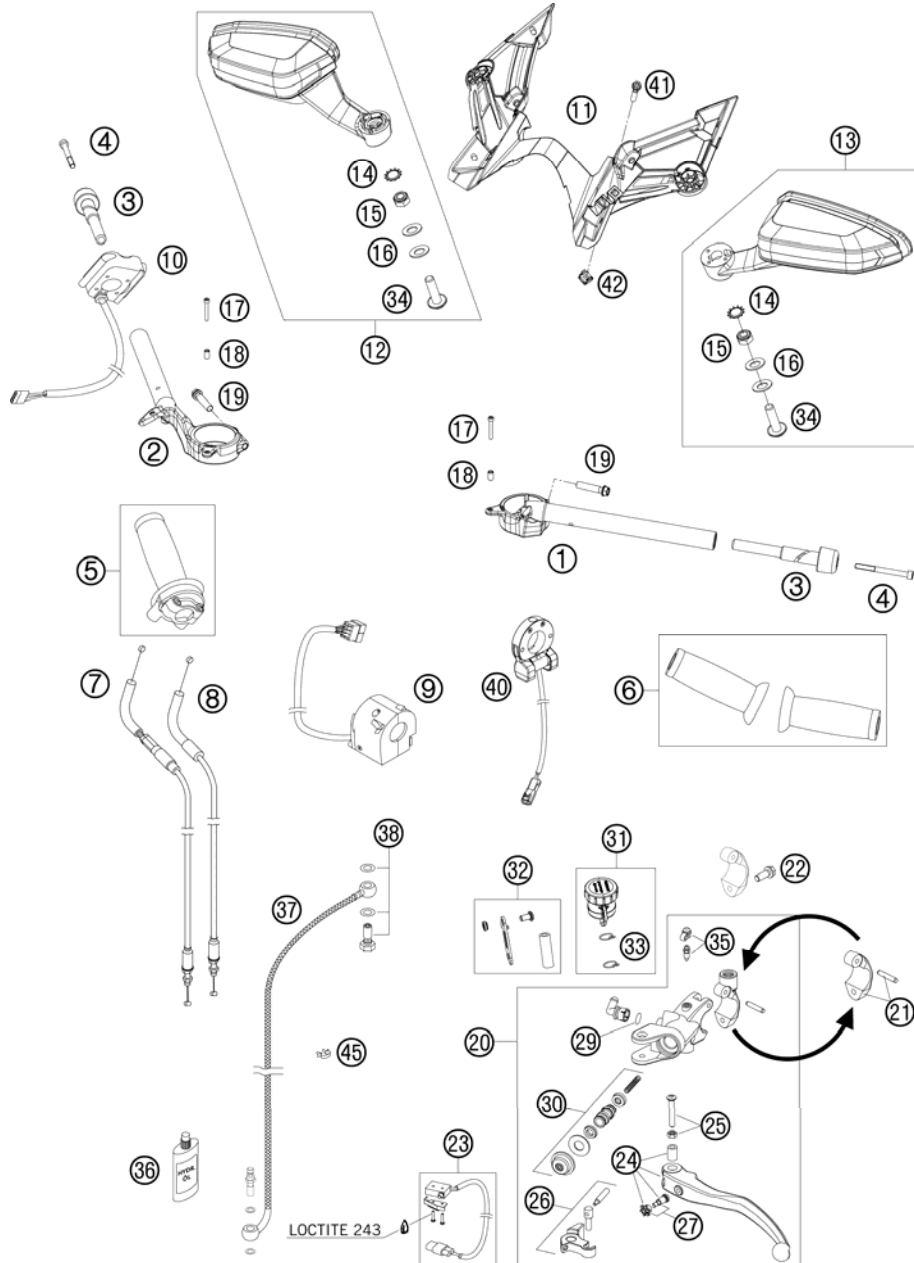


FIG	PART NUMBER	DESCRIPTION	QTY
38	59032062000	HOLLOW SCREW + COPPER GASKET	1
40	69011071000	CONTROLLER F. INSTRUMENTS	1
41	0025060356	HH COLLAR SCREW M6X35 TX30	4
42	60003095000	CAGE NUT M6 SL 4MM 03	4
45	57013072000	WIRING HOLDER 12MM	1

086900210 / C096910210

\* NEW PART

X AS REQUIRED



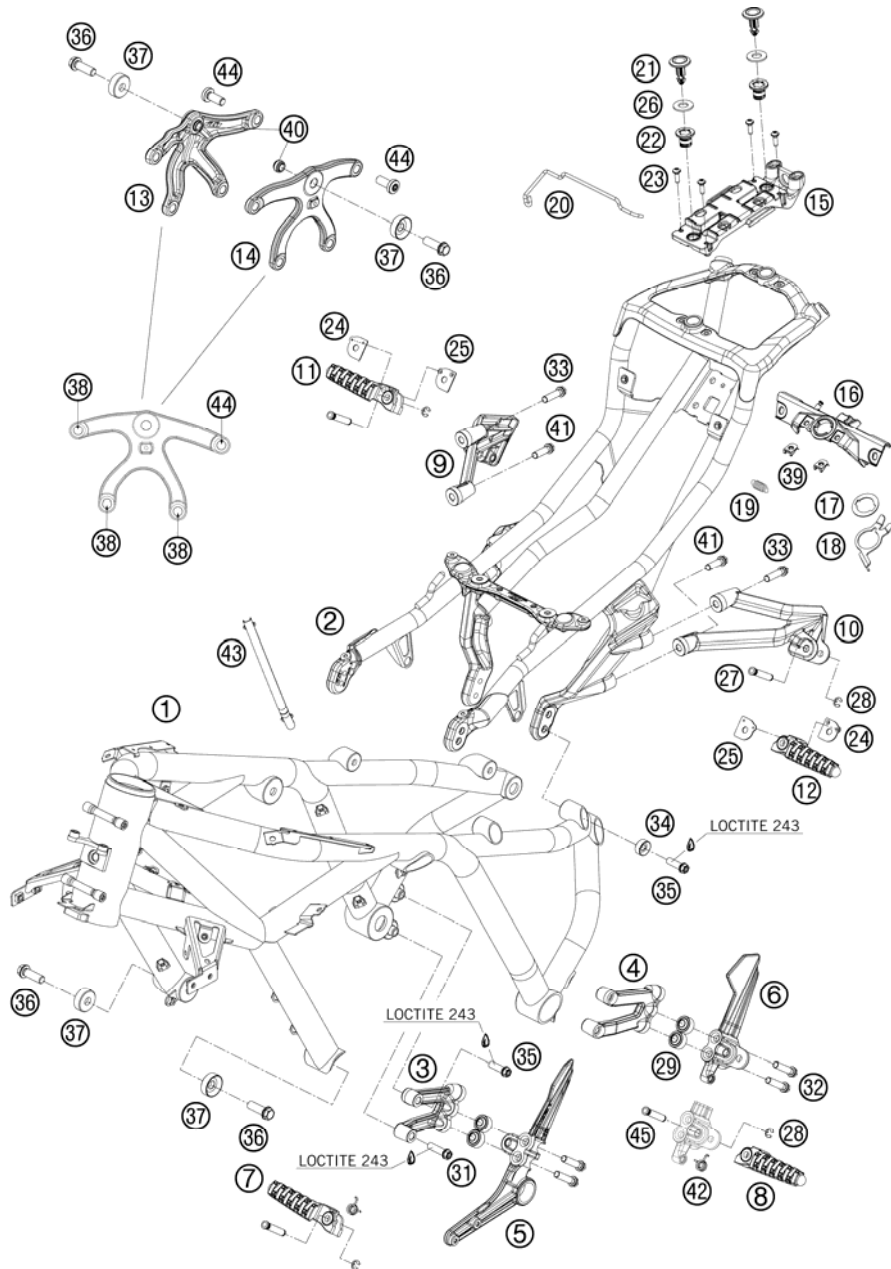


FIG	PART NUMBER	DESCRIPTION	QTY
1	6900300100004	FRAME "OA08" ORANGE 09	1
2	6900300200033	SUB FRAME BLACK 09	1
3	6900303900033S	FOOTREST BRACKET R/S 09	1
4	6900303800033S	FOOTREST BRACKET L/S 09	1
5	6900303905033S	FOOTREST MOUNTING R/S 09	1
6	6900303805033S	FOOTREST MOUNTING L/S 09	1
7	6900304100033S	FOOTREST FRONT R/S 09	1
8	6900304000033S	FOOTREST FRONT L/S 09	1
9	6900304900033S	FOOTREST BRACKET REAR R/S	1
10	6900304800033S	FOOTREST BRACKET REAR L/S	1
11	6900305103333S	FOOTREST REAR R/S CPL.	1
12	6900305003333S	FOOTREST REAR L/S CPL.	1
13	6900300600033S	ENGINE SUPPORT R/S BLACK 09	1
14	6900300500033S	ENGINE SUPPORT L/S BLACK 09	1
15	69008025000	REAR SEAT ADJUSTMENT	1
16	69008027000	LOCK BRIDGE	1
17	69008025070	WASHER LEVER REAR SEAT RELEASE	1
18	69008025160	LEVER REAR SEAT RELEASE	1
19	69008025080	SPRING F. REAR SEAT LOCK	1
20	69008025150	ADJUSTMENT WIRE REAR SEAT	1
21	69008026050	CLOSURE CAP	2
22	69008026000	GUIDE BUSHING	2
23	0081050161	EJOT PT SCREW K50X16 1451	4
24	60003052000	ENGAGE PANEL FOOTREST R/S 03	2
25	60003152000	ENGAGE PANEL FOOTREST L/S 03	2
26	69008026060	WASHER RC8	2
27	60003044000	BOLT FOR FOOTREST REAR 03	2
28	0799060003	TAB WASHER DIN6799-RS 6,0	4
29	6900304700001	DISTANCE BUSHING 8,5X21X14	4
31	0025080306S	HH COLLAR SCREW M8X30 TX40	2
32	0025080356S	HH COLLAR SCREW M8X35 TX40	4
33	0025080556	HH COLLAR SCREW M8X55 TX40	2
34	6900300400033	WASHER SUB FRAME MOUNTING 09	4
35	0025080256S	HH COLLAR SCREW M8X25 TX40	6
36	0035100309S	AH-COLLAR SCREW M10X30 ISA45	4
37	6900300700033	WASHER ENGINE SUPPORT 09	4

096900310 / C096910310

\* NEW PART

X AS REQUIRED

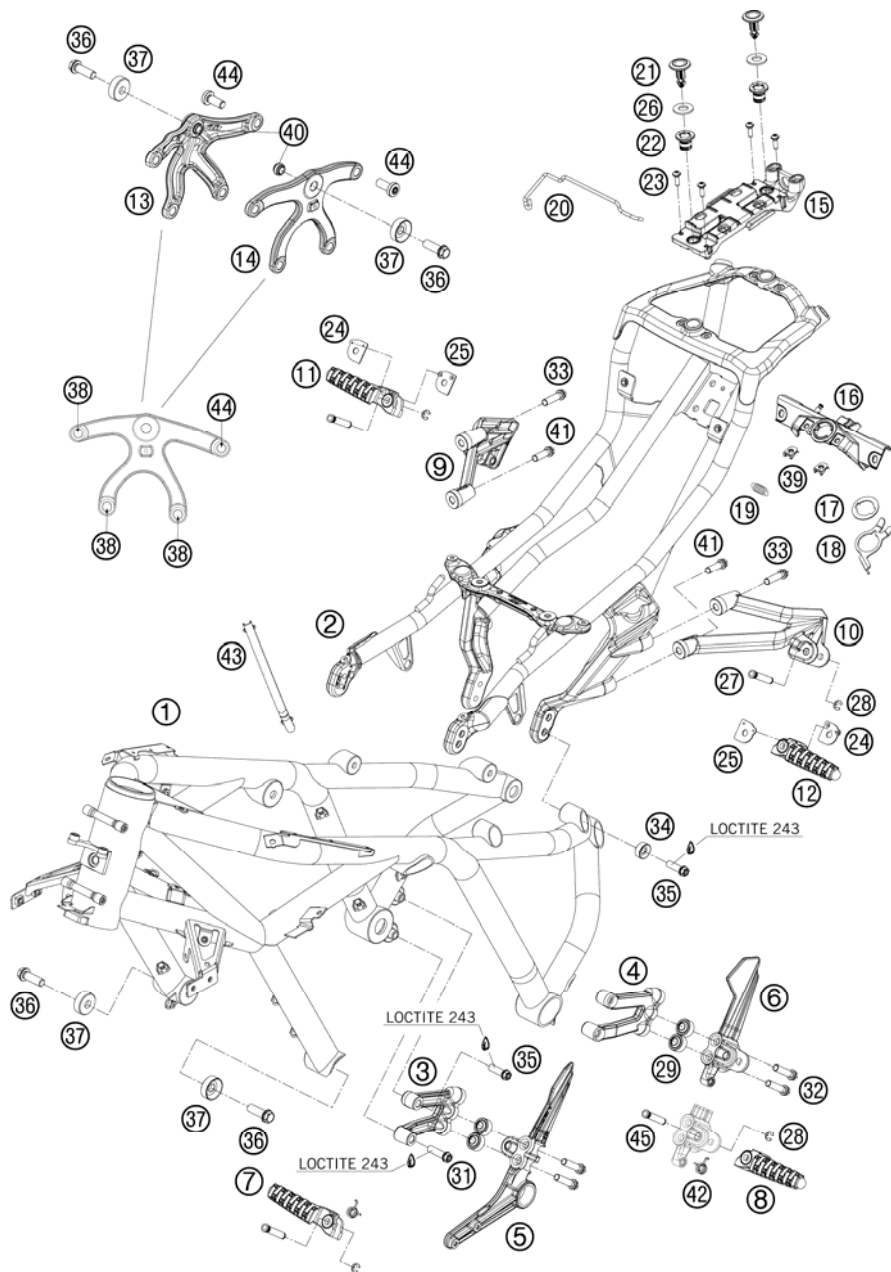


FIG	PART NUMBER	DESCRIPTION	QTY
38	0035100249	AH-COLLAR SCREW M10X24 ISA45	6
39	69008021080	RANGE CHANGE METAL NUT M5	2
40	69004095000	ADAPTOR NUT M10	2
41	0025080506	HH COLLAR SCREW M8X50 TX40	2
42	61003042000	SPRING FOOTREST FRONT 05	2
43	69011047000	CABLE DUCT BRAKE LIGHT SW. RC8	1
44	0025100246	% COLLAR SCREW M10X24 TX	2
45	60003044100	BOLT FOR FOOTREST REAR	2

096900310 / C096910310

\* NEW PART

X AS REQUIRED

# SIDE / CENTER STAND

1190 RC 8 R EU 2009

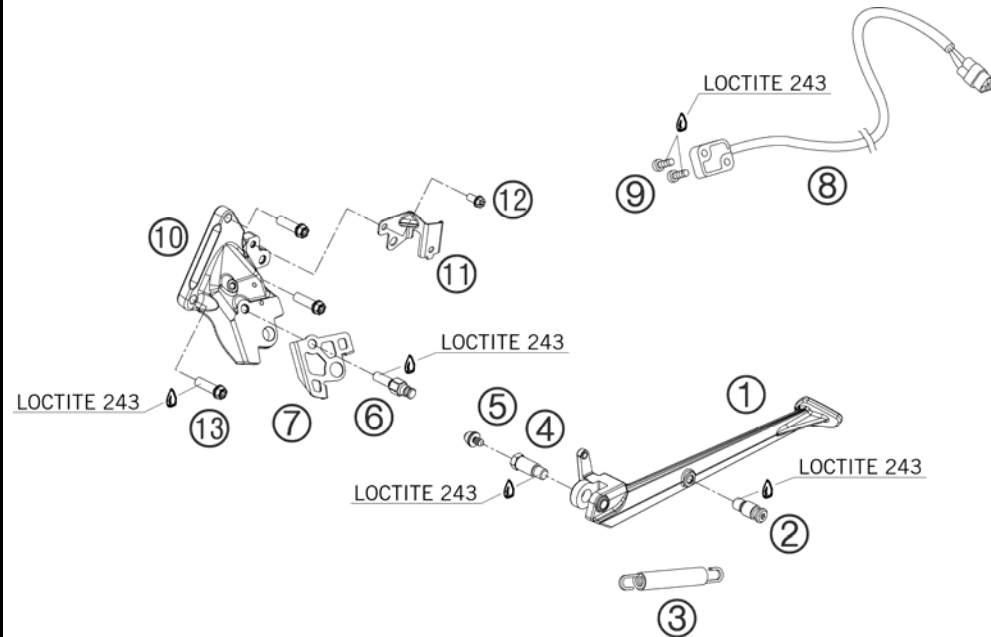


FIG	PART NUMBER	DESCRIPTION	QTY
1	690030230333S	SIDE STAND CPL. BLACK 09	1
2	75603023011	BOLT F. SIDE STAND SPRING	1
3	61003024000	SPRING L=116 MM 05	1
4	69003027050	SCREW F. SIDE STAND M10	1
5	69003027060	DISTANCE RUBBER D=14X10,5	1
6	61003028001	SCREW SIDE STAND SPRING 05	1
7	69003027000	CONSOLE INTERMEDIATE METAL	1
8	61011045000	SIDE STAND SENSOR 05	1
9	0084040123	CYL.HEAD SCREW DIN84A M4x12	2
10	6900302600033S	SIDE STAND CONSOLE BLACK 09	1
11	69003029000	KEEL RETAINING BRACKET	1
12	0025060126	HH COLLAR SCREW M6X12 TX30	1
13	0025080256S	HH COLLAR SCREW M8X25 TX40	3

086900360 / C096910360

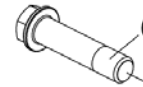
\* NEW PART

X AS REQUIRED

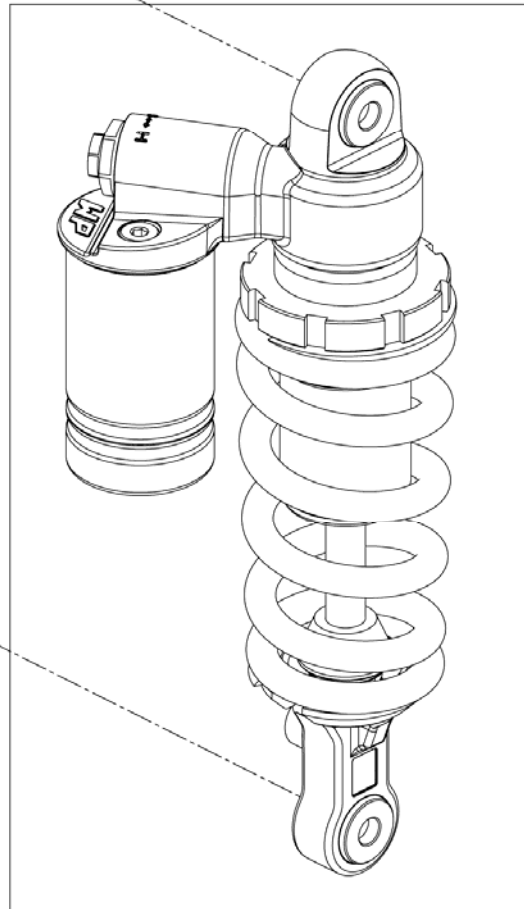
# SHOCK ABSORBER

1190 RC 8 R EU 2009

21

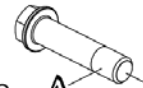


LOCTITE 243



20

21



LOCTITE 243

FIG	PART NUMBER	DESCRIPTION	QTY
20	17187E10	MONOSHOCK RC8 R 09	1
21	69004089000	HH COLLAR SCREW M10X42 WS13 08	2

096910410 / C096910410

\* NEW PART

X AS REQUIRED

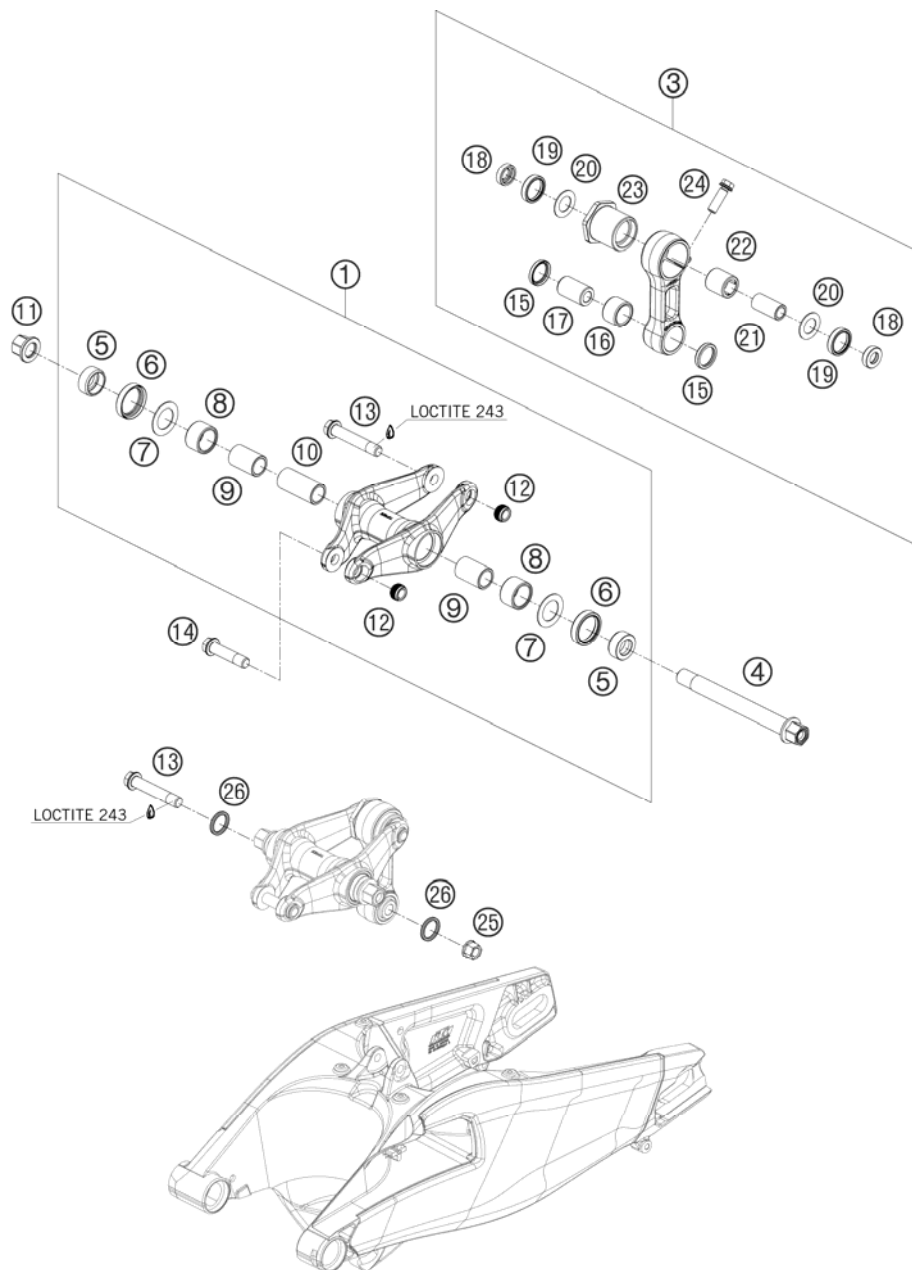


FIG	PART NUMBER	DESCRIPTION	QTY
1	6900408004433S	SWING ARM DEFLECTION CPL.8% 09	1
3	6900408304433S	CONNECTING ROD CPL.	1
4	69004081044	BEARING BOLT SWING LEVER CPL.	1
5	58303090000	SPAC.F.SHAFT SEALRING 15X25X11	2
6	0760253270	SHAFT SEAL RING 25X32X7	2
7	59033080000	SHIM 20X32X1	2
8	54603097000	NEEDLE BUSH HK 2016	2
9	50203081800	BEARING BUSHING	2
10	69004087000	DIST. BUSHING SWING LEVER 08	1
11	69004082000	FLANGE NUT M14X1,5 WS17	1
12	69004095000	ADAPTOR NUT M10	2
13	69004094000	HH COLLAR SCREW M10X56 WS13 08	2
14	69004089000	HH COLLAR SCREW M10X42 WS13 08	1
15	0760182442	SHAFT SEAL RING 18X24X4	2
16	56503195100	NEEDLE BEARING HK 1816	1
17	69004085000	BEAR. BUSH. CONN. ROD BELOW 08	1
18	69004093000	BUCKET F. SHAFT SEAL RING 08	2
19	0760202640	SHAFT SEAL RING 20X26X4 NBR	2
20	69004092000	STOP DISC 15,1X25,9X1MM 08	2
21	69004088000	BEAR. BUSH. CONN. ROD ABOVE 08	1
22	0618152200	NEEDLE SLEEVE HK1522	1
23	69004084100	ECCENTRIC PUSHROD 08	1
24	0025080256	HH COLLAR SCREW M8X25 TX40	1
25	54630044000	COLLAR NUT M10 WS=13	1
26	69004096000	QUAD-RING 17,12X2,62X2,62 NBR	2

086900460 / C096910460

\* NEW PART

X AS REQUIRED

# SWING ARM

1190 RC 8 R EU 2009

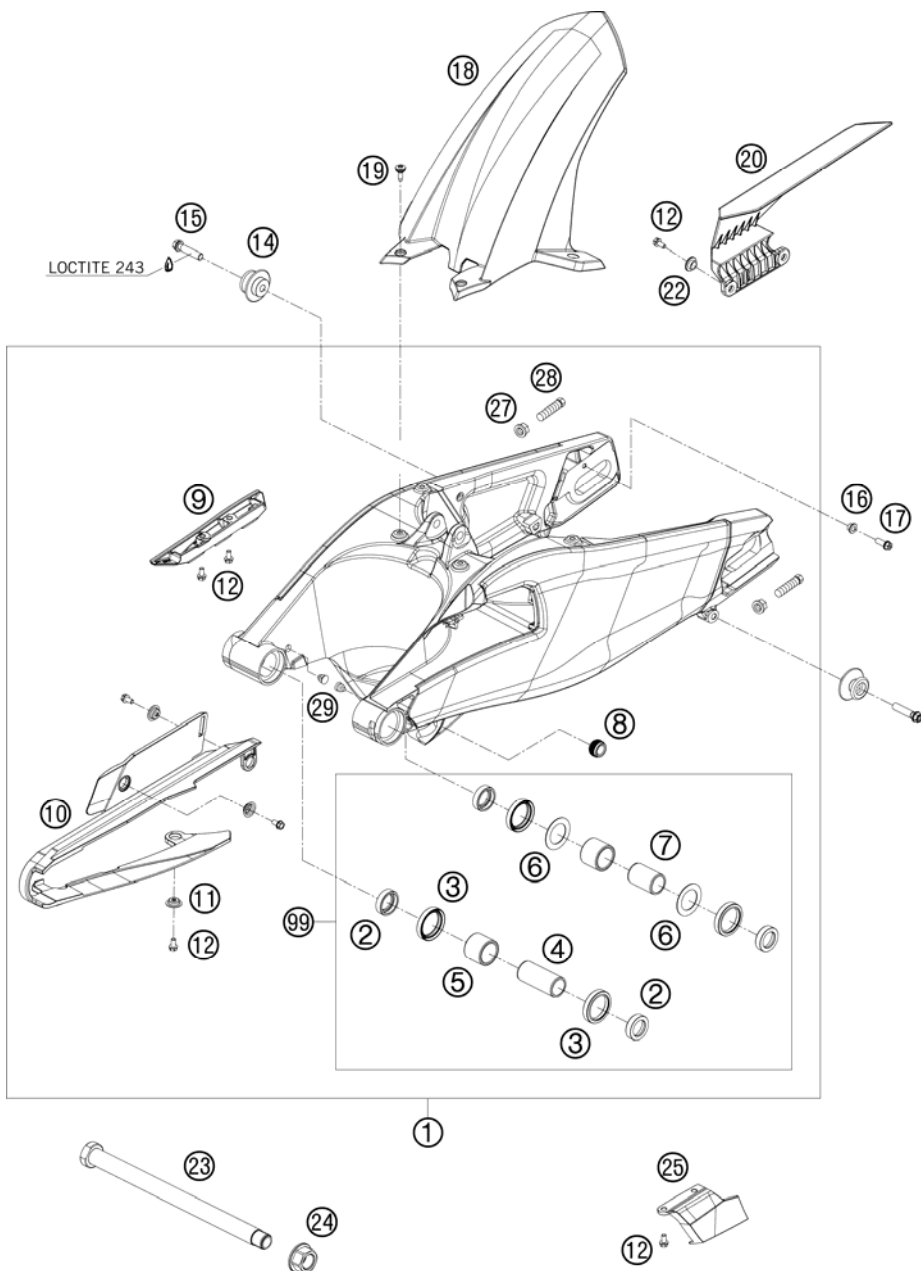


FIG	PART NUMBER	DESCRIPTION	QTY
1	6900403014433	SWING ARM CPL. RC8	1
2	60004034000	BUCKET F. SHAFT SEAL RING 03	4
3	0760304073	SHAFT SEAL RING 30X40X7	4
4	69004032000	INNER RING JR 20X25X56,5	1
5	60004031000	NEEDLE BUSH HK2526B 03	2
6	60004033000	STOP DISK 03	2
7	60004032000	INNER RING JR20X25X38,5 03	1
8	69004095000	ADAPTOR NUT M10	1
9	69013010000	BRAKE HOSE GUIDE	1
10	69004066100	CHAIN SLIDING GUARD	1
11	46104066050	BUSH FOR CHAINSLIDER GUARD 02	3
12	0009050103	SPECIAL SCREW M 5,0X10	9
14	69004040000	SUPPORT F. LIFITNG GEAR	2
15	0025080356S	HH COLLAR SCREW M8X35 TX40	2
16	69004072000	BUSHING F. BRAKE-CAL. BRACKET	1
17	0025060166S	HH COLLAR SCREW M6X16 ISA 30	1
18	69004050000	SPLASH PROTECTION	1
19	69008021060	SPECIAL SCREW M5X17	4
20	6900406010033	UPPER CHAIN GUARD RC8	1
22	69004060050	BUSHING CHAIN GUARD 08	2
23	69004037044	SWING ARM BOLT 08	1
24	60004038000	COLLAR NUT M19X1,5 WS=27MM 03	1
25	6900406100033	LOWER CHAIN GUIDE	1
27	58414030000	HH COLLAR NUT M10X1,25 WS=13	2
28	50304040100	SCREW M10X1,25X50 WS=10	2
29	60004042000	PLUG SFL12 GREY 05	2
99	69004230010	SWING ARM REP. KIT 08	1

096900490 / C096910490

\* NEW PART

X AS REQUIRED

# EXHAUST SYSTEM

1190 RC 8 R EU 2009

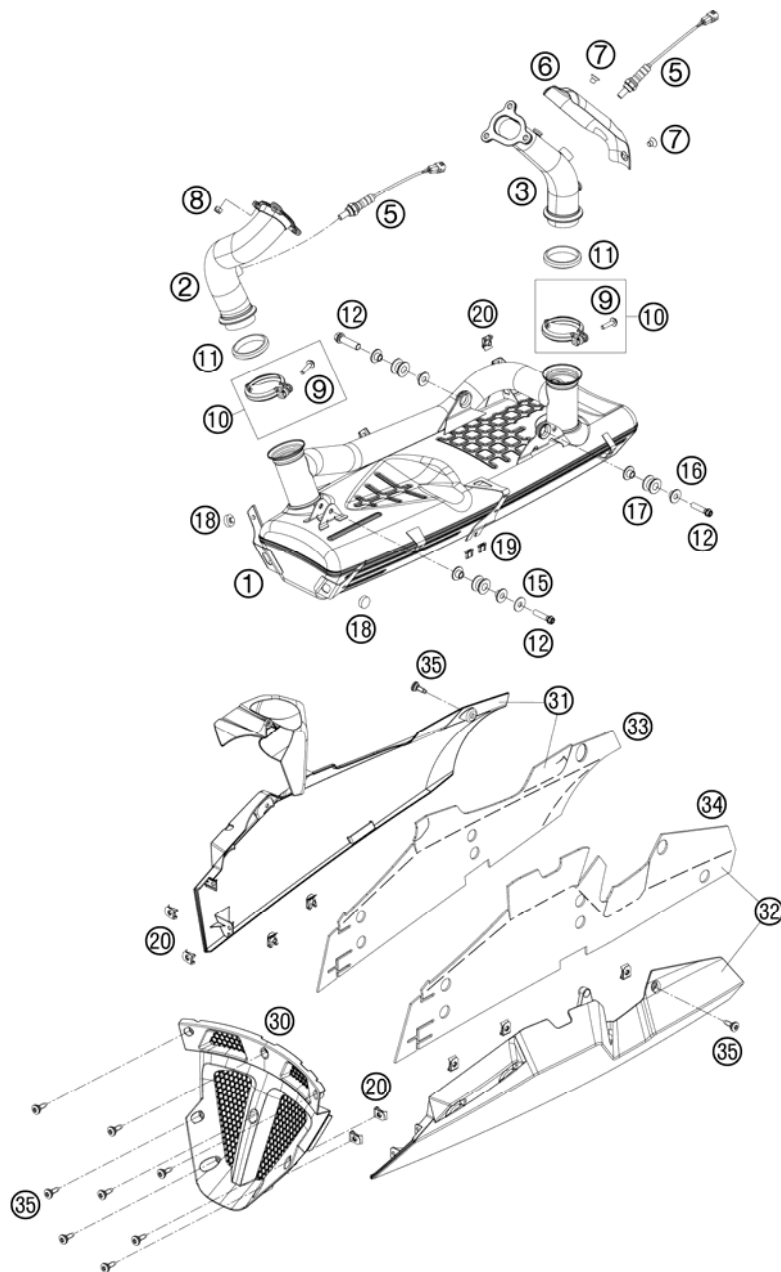


FIG	PART NUMBER	DESCRIPTION	QTY
1	69005083000	SILENCER CPL. RC8	1
2	69005007100	EXHAUST MANIFOLD FRONT CPL.	1
3	69005008000	EXHAUST PIPE REAR CPL.	1
5	61041090000	LAMBDA SENSOR 05	2
6	69005011000	HEAT SHIELD REAR	1
7	0991060082	FLAT H.SCREW M6X8 DIN7991 NIRO	2
8	51010086100	SELF LOCKING NUT M 8 CU	6
9	0024060136	HH COLLAR SCREW M6X13 TX30	2
10	69005050000	CLAMP CPL.	2
11	69005005005	MANIFOLD GASKET	2
12	0025080356S	HH COLLAR SCREW M8X35 TX40	3
15	0021080003	WASHER DIN9021-A 8,4	1
16	58405050065	COLLAR BUSH 8,5X12X23,5X10	6
17	54305068100	DAMP. COMPONENT SILICONE GREY	3
18	54308042000	RUBBER BUFFER	11
19	61005091000	DAMP. COMPON. SILICONE GREY 05	4
20	69008021080	RANGE CHANGE METAL NUT M5	10
30	6900806010033	KEEL COVER BLACK MATT	1
31	6900805623320A	EXH. COV. R/S CPL. WHI.BR. RC8	1
32	6900805513320A	EXH. COV. L/S CPL. WHI.BR. RC8	1
33	69005083192	HEAT SHIELD F. EXH. COVER R/S	1
34	69005083193	HEAT SHIELD F. EXH. COVER L/S	1
35	69008021060	SPECIAL SCREW M5X17	14

096900510 / C096910510

\* NEW PART

X AS REQUIRED

# AIR FILTER

1190 RC 8 R EU 2009

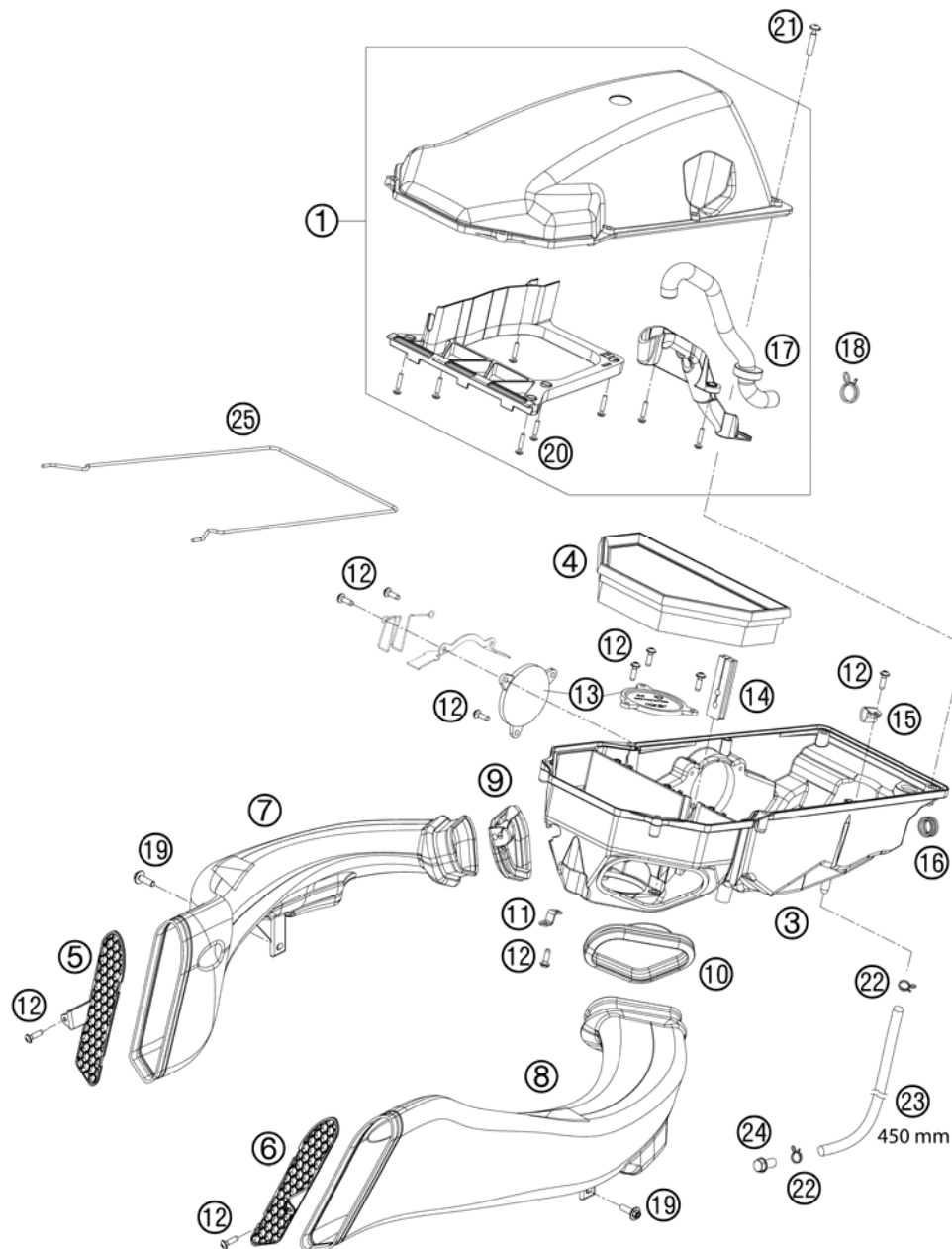


FIG	PART NUMBER	DESCRIPTION	QTY
1	69006002144	FILTER BOX UPPER PART CPL. 09	1
3	69006001000	FILTER BOX LOWER PART 08	1
4	69006015000	FILTER ELEMENT	1
5	69006041060	PROT. GRILL INTAKE SNORKEL R/S	1
6	69006040060	PROT. GRILL INTAKE SNORKEL L/S	1
7	69006041000	INTAKE SNORKEL R/S	1
8	69006040000	INTAKE SNORKEL L/S	1
9	69006041050	SNORKEL SEALING R/S	1
10	69006040050	SNORKEL SEALING L/S	1
11	69006015050	BRACKET F. EFI-PLUG	1
12	0081050161	EJOT PT SCREW K50X16 1451	10
13	69006004000	FILTER BOX COVER R/S	2
14	69006001030	THROTTLE ROPE CHANNEL	1
15	69007029000	PVC-CLAMP HEYCO 13,9 3379	1
16	69006001040	PROTECTION SLEEVE FUEL HOSE	1
17	69006088000	MOLDED HOSE ENGINE BREATHER 08	1
18	58431082100	YDNAC-CLAMP 10173 (16MM) '98	1
19	0024060206	HH COLLAR SCREW M6X20 TX30	2
20	0081400253	PLASTIC SCREW KA40X25WN1412	8
21	0017060303	SPECIAL SCREW T60 6X30 WS=6	8
22	58031005000	CLAMP YDNAC 10128 12MM	2
23	60015019001	HOSE NBR 7X11 PER METER	x
24	0025080126	HH COLLAR SCREW M8X12 TX40	1
25	69006001060	GASKET F. AIRBOX	1

086900610 / C096910610

\* NEW PART

X AS REQUIRED



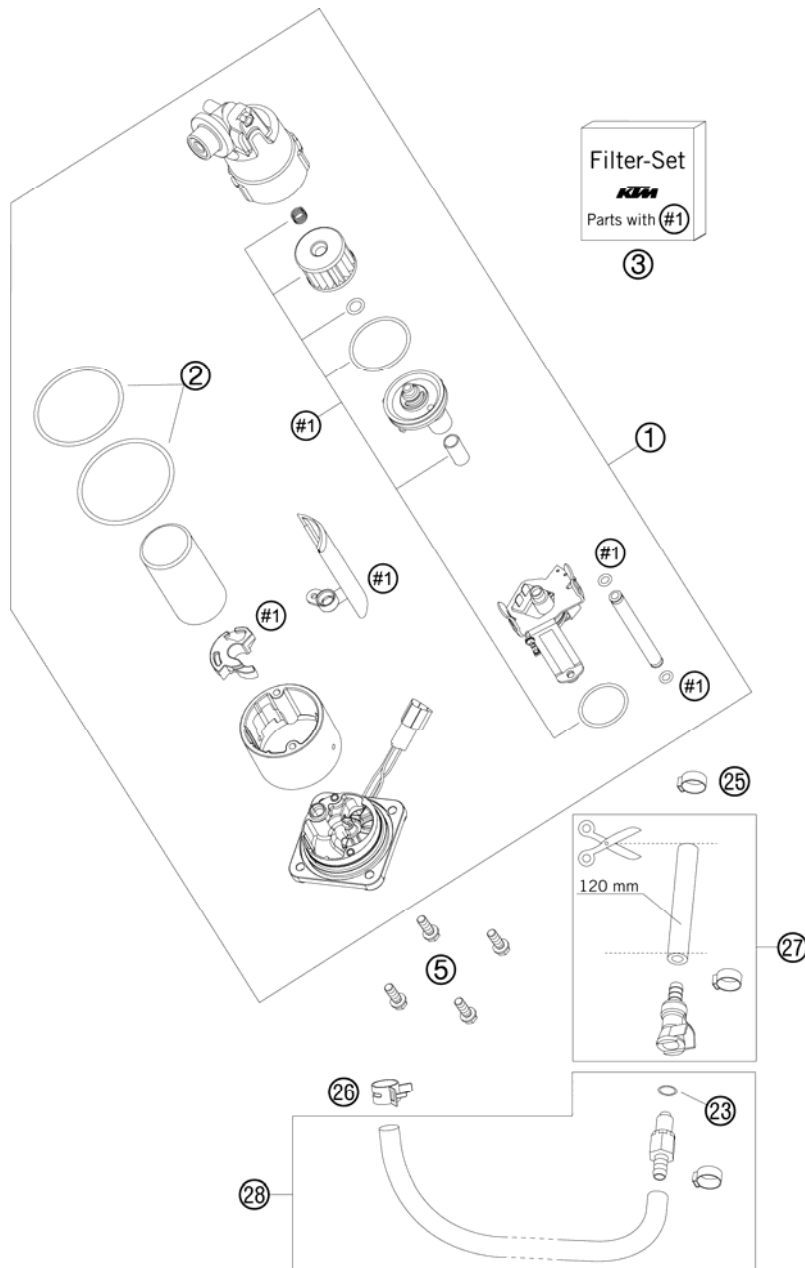


FIG	PART NUMBER	DESCRIPTION	QTY
1	61007088200	PUMP WITHOUT RESERVE INDICATOR	1
2	61007089000	O-RING SET FOR FUEL PUMP 05	1
3	61007090000	FILTER-SET FUEL PUMP 05	1
5	0025060166	HH COLLAR SCREW M6X16 TX30	4
23	58507012000	O-RING VITON F. PLUG CPC 05	1
25	00050153706	VARIABLE ONE-EAR CLAMP 15,3MM	1
26	00049140121	CLAMP STD DN14	1
27	75007116060	FUEL HOSE WITH CLUTCH	1
28	69007016050	FUEL HOSE DKK CPL.	1

086900730 / C086900730

\* NEW PART

X AS REQUIRED

# TANK, SEAT, COVER

1190 RC 8 R EU 2009

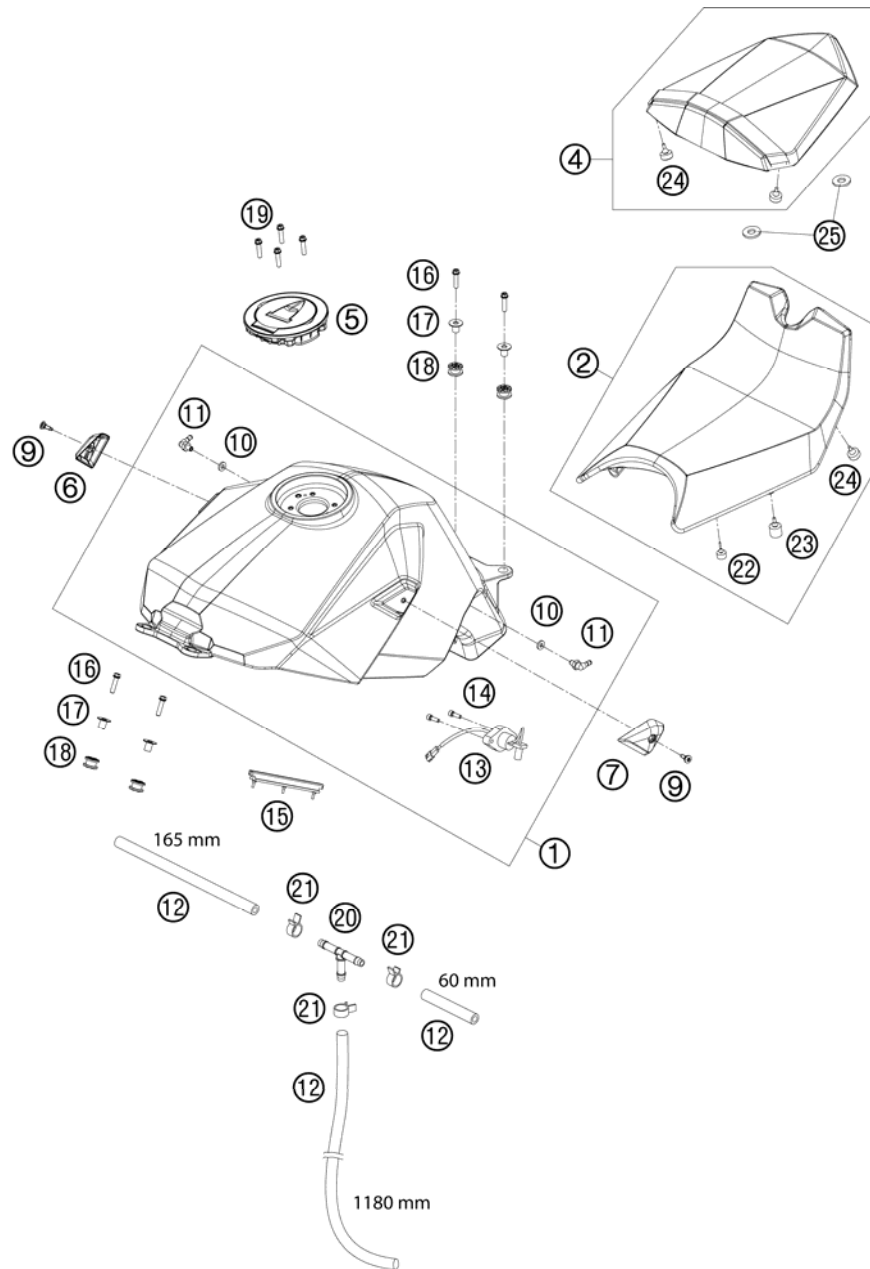


FIG	PART NUMBER	DESCRIPTION	QTY
1	6900701314433A	FUEL TANK CPL. BLACK MATT RC8	1
2	69007040100	SEAT	1
4	69007047000	PASSENGER SEAT	1
5	69007008000	TANK CAP	1
6	6900702610030	TANK PROTECTION R/S BLACK BR.	1
7	6900702510030	TANK PROTECTION L/S BLACK BR.	1
9	69008021060	SPECIAL SCREW M5X17	2
10	60007024050	GASKET FOR CONNECTING PIECE 03	2
11	60007024000	CONNECT.PIECE F.OVERFLOW M7 03	2
12	60007026001	HOSE NBR 5,4X9,4 PER METER	x
13	58207080100	GAS-LEVEL SENSOR ADV. 2006	1
14	0912050163	AH SCREW DIN0912-M 5X16	2
15	69007014100	TANK REST RUBBER	2
16	0025060256	HH COLLAR SCREW M6X25 TX30	4
17	69007028000	COLLAR BUSH. 6,2X10X21X14MM 08	4
18	69007027000	RUBBER SLEEVE TANK MOUNT 08	4
19	0912050123	AH SCREW DIN0912-M 5X12	4
20	60015022000	T-CONNECTOR TS-6 03	1
21	58007017000	YDNAC CLAMP 10101 (9MM)	3
22	69007040010	DISTANCE RUBBER 14X8	2
23	69007040020	DISTANCE RUBBER 17,8X16	2
24	69007040030	DISTANCE RUBBER 18X8	4
25	69008026060	WASHER RC8	2

096900711 / C096900713

\* NEW PART

X AS REQUIRED

# MASK, FENDERS

1190 RC 8 R EU 2009

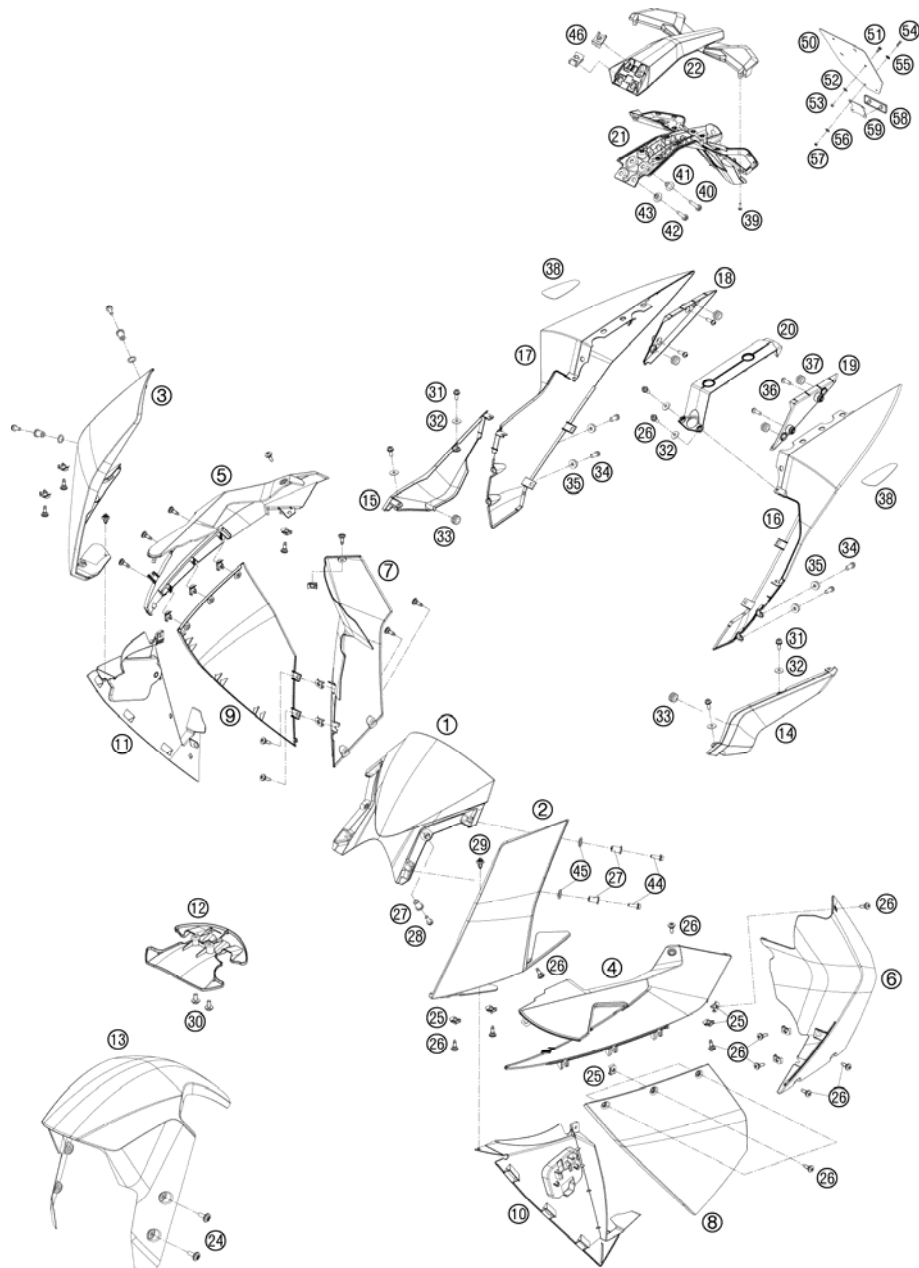


FIG	PART NUMBER	DESCRIPTION	QTY
1	69108008000	FAIRING SCREEN HIGH	1
2	6900800100030A	FR.FAIR.UP.PART L/S BLACK RC8	1
3	6900800200030A	FR.FAIR.UP.PART R/S BLACK RC8	1
4	6900800300033A	FR.FAIR.LO.PART L/S BLACK RC8	1
5	6900800400033A	FR.FAIR.LO.PART R/S BLACK RC8	1
6	6900805200033B	EXHAUST SHAFT L/S BL.MATT RC8	1
7	6900805300033B	EXHAUST SHAFT R/S BL.MATT RC8	1
8	6900805000033A	COOLER FAIRING L/S BLACK MATT	1
9	6900805100033A	COOLER FAIRING R/S BLACK MATT	1
10	6900802200033	FRESH-AIR SHAFT L/S BL. MA. 08	1
11	6900802300033	FRESH-AIR SHAFT R/S BL. MA. 08	1
12	6900802110033	UP. FRESH-AIR SHAFT BLACK MA.	1
13	6910801000049	FRONT FENDER CARBON	1
14	6900804300033A	SIDE COVER L/S BLACK MATT RC8	1
15	6900804400033A	SIDE COVER R/S BLACK MATT RC8	1
16	6900804100020A	REAR FAIRING L/S WHITE BR. RC8	1
17	6900804200020A	REAR FAIRING R/S WHITE BR. RC8	1
18	69008039000	REAR LIGHT ADAPTER R/S	1
19	69008038000	REAR LIGHT ADAPTER L/S	1
20	6900803100033	UPPER REAR END PANEL	1
21	69008018000	LICENSE PLATE BRACKET LO. PART	1
22	69008017000	LICENSE PLATE BRACKET UP. PART	1
24	69014017000	SPECIAL SCREW M6X18 ISA30 08	4
25	69008021080	RANGE CHANGE METAL NUT M5	x
26	69008021060	SPECIAL SCREW M5X17	x
27	60008008050	BLIND PLUG-IN NUT M5 WN 16A 03	6
28	0025050166	HH COLLAR SCREW M5X16 TX30	2
29	76503075000	SPREAD RIVET CPL. 6,2MM	2
30	0024060136	HH COLLAR SCREW M6X13 TX30	2
31	58605083010	SCREW TORX M5X10 05	4
32	75008023000	WASHER REAR-UT D=14MM	6
33	31008060000	RUBBER SLEEVE D=8MM OPEN	2
34	0025080206	HH COLLAR SCREW M8X20 TX40	4
35	6900300405001	WASHER MOUNT. REAR FAIRING	4
36	0081050161	EJOT PT SCREW K50X16 1451	4
37	69014078000	RUBBER SLEEVE 10X14X20 08	4

096910810 / C096910810

\* NEW PART

X AS REQUIRED

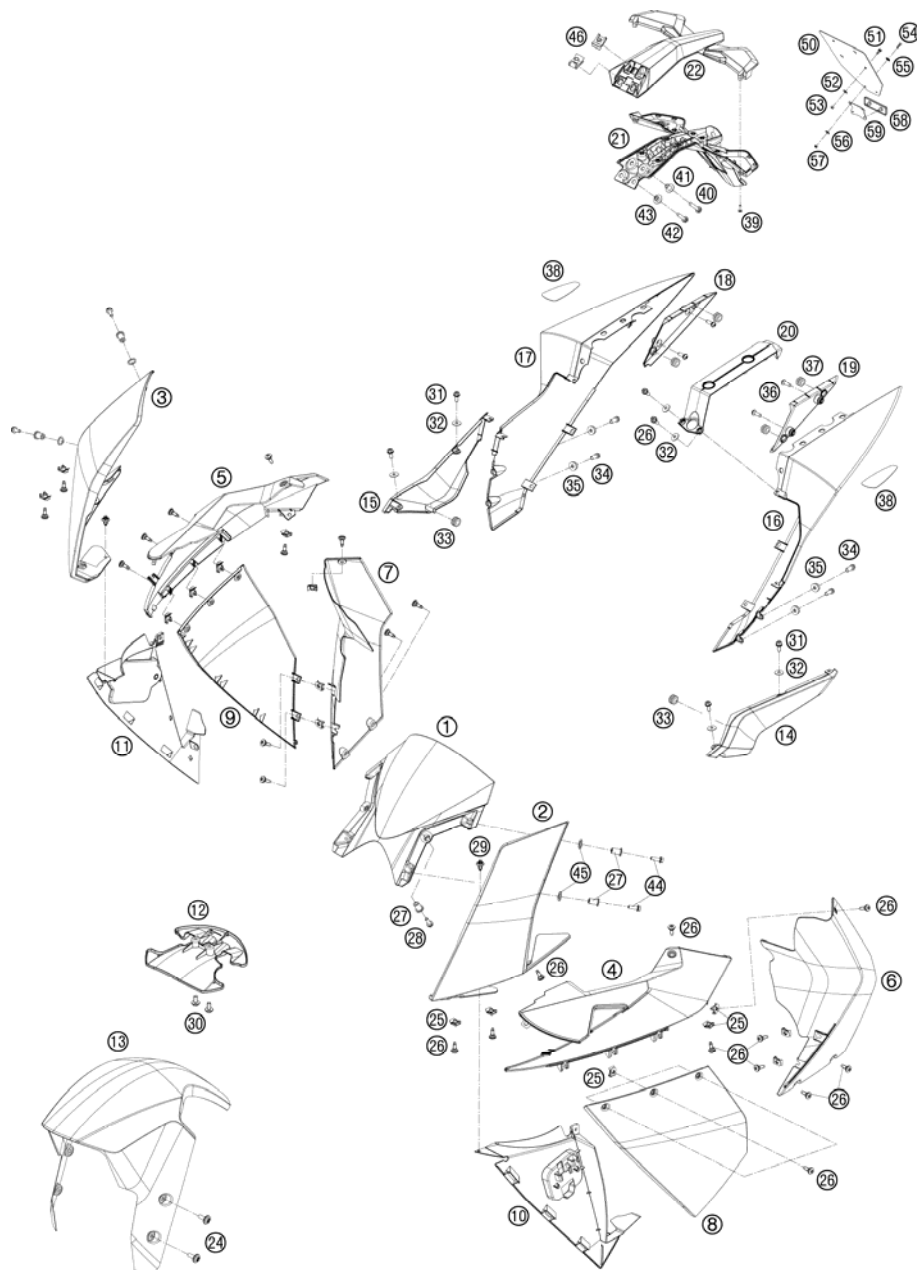


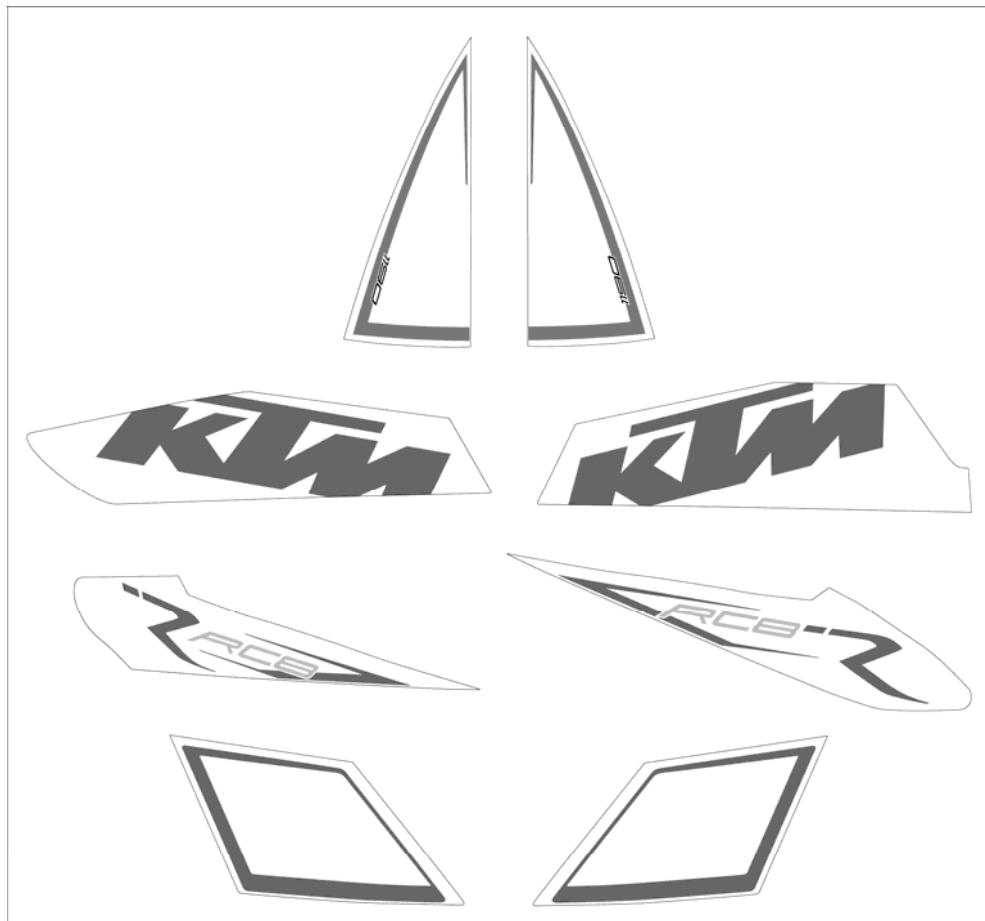
FIG	PART NUMBER	DESCRIPTION	QTY
38	69007047050	PASSENGER'S SEAT PLATE KIT	1
39	0081040161	SCREW FOR PLASTIC K40X16 T20	10
40	0025060256	HH COLLAR SCREW M6X25 TX30	2
41	69007028000	COLLAR BUSH. 6,2X10X21X14MM 08	2
42	0025060206	HH COLLAR SCREW M6X20 TX30	2
43	69008020000	BUSHING LICENSE PLATE BRACKET	2
44	0025050206	HH COLLAR SCREW M5X20 TX30	4
45	69008008050	PLAIN WASHER PA 9,5X14X2	4
46	54603048100	RANGE CHANGE METAL NUT M6	4
50	60012081200	LICENCE FITTING 06	1
51	0024060156	HH COLLAR SCREW M6X15 TX30	4
52	0021060003	WASHER DIN9021-A 6,4	4
53	0985060003	SELF LOCK. NUT DIN0985-M 6	4
54	0966050163	OVAL HEAD SCREW DIN0966-M 5X16	2
55	40006006000	WASHER 6MM	2
56	0125050003	WASHER DIN0125-A 5,3	2
57	0985050003	SELF LOCKING NUT DIN0985-M 5	2
58	58412080000	REFLECTOR RED LC4 '98	1
59	58412080050	BRACKET FOR REFLECTOR	1

096910810 / C096910810

\* NEW PART

X AS REQUIRED

FIG	PART NUMBER	DESCRIPTION	QTY
1	69108099000	DECAL KIT RC8 R	1



①

096910830 / C096910830

\* NEW PART

X AS REQUIRED

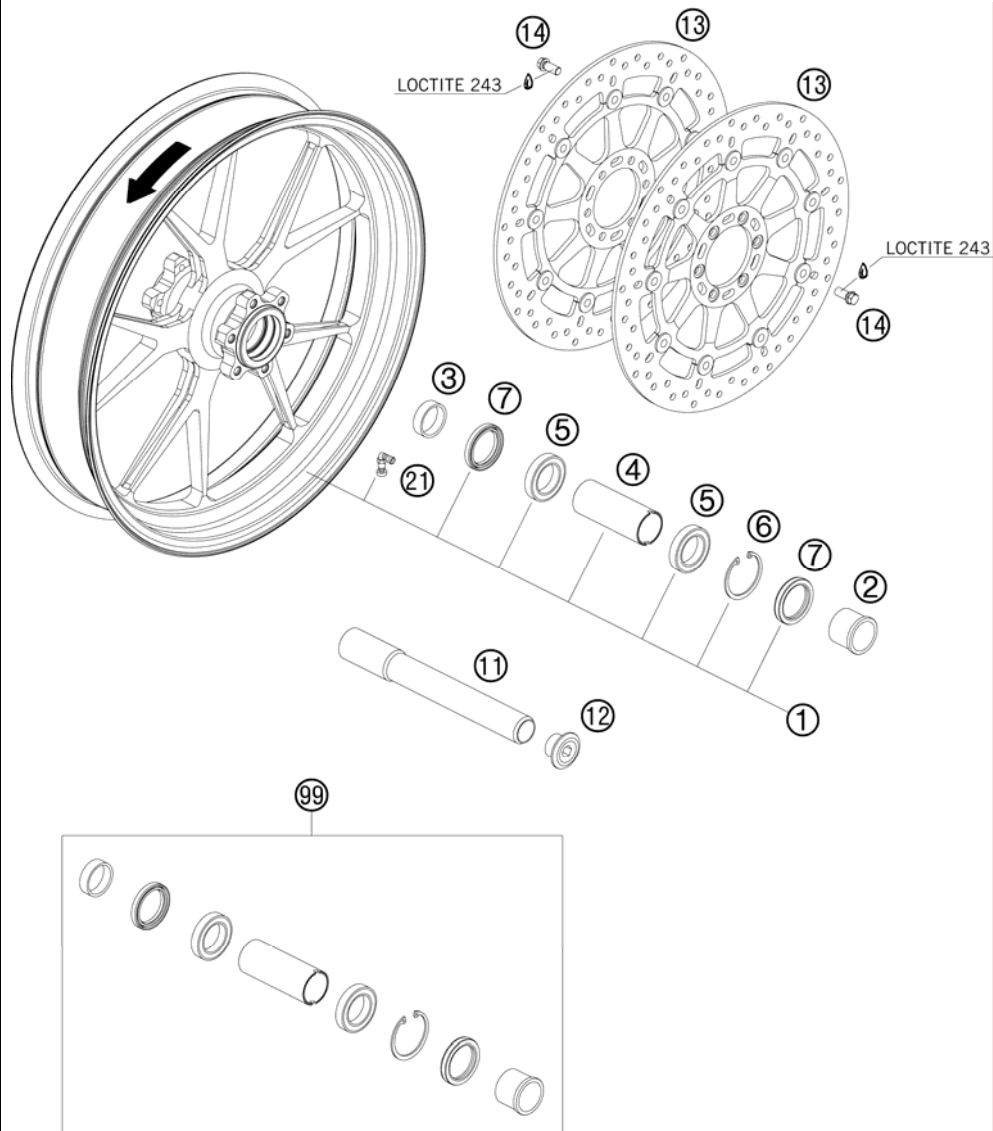


FIG	PART NUMBER	DESCRIPTION	QTY
1	6910900104430	FRONT WHEEL RC8-R CPL. BLACK	1
2	61009012000	SPACER BUSH. FR. WHEEL L/S 05	1
3	60009013000	SPACER BUSH. FR. WHEEL R/S 03	1
4	62609011000	BEARING SPACER TUBE FRONT	1
5	0625069068	GR.BALL BEAR.6906 DDU2CG23S6NM	2
6	0472048175	LOCK RING DINO472-48X1,75	1
7	0760354771	SHAFT SEAL RING 35X47X7 TC	2
11	61009081000	WHEEL SPINDEL FRONT 05	1
12	6900103600001	STEERING HEAD SCREW 09	1
13	6900906000030	BRAKE-DISC FRONT D=320X5	2
14	61009062018	SPECIAL SCREW M8X18 05	12
21	61009076000	VALVE ANGLED 90° 05	1
99	69109015000	FRONT WHEEL REPAIR KIT 09	1

096910910 / C096910910

\* NEW PART

X AS REQUIRED

# REAR WHEEL

1190 RC 8 R EU 2009

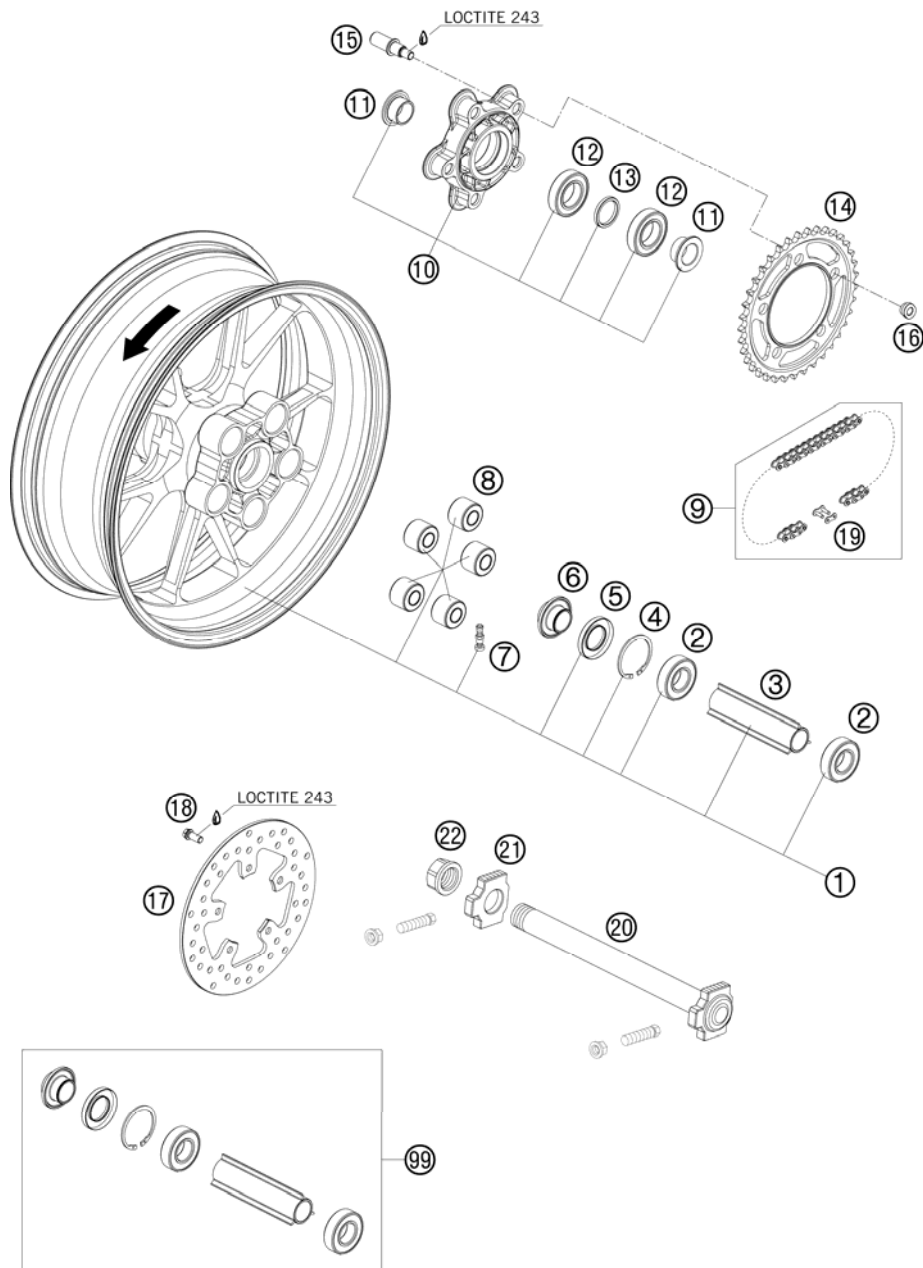


FIG	PART NUMBER	DESCRIPTION	QTY
1	6911000104430	REAR WHEEL RC8-CPL. BLACK	1
2	0625062052	GR.BALL BEAR. 6205-2RSHC3HMTF7	2
3	61010011000	BEARING SPACER TUBE REAR 05	1
4	0472052200	CIRCLIP DIN0472-52X2	1
5	0760305271	SHAFT SEAL RING 30X52X7	1
6	69010013000	DIST.BUSHING REAR WHEEL R/S 08	1
7	58709076000	VALVE CPL. BREMBO DUKE 2003	1
8	61010059000	DAMPING RUBBER 05	5
9	69010065108	CHAIN DID 525 HV2 108 ROLLS	1
10	69010050044	SPROCKET SUPPORT CPL.	1
11	69010012000	SPACER CHAIN WHEEL SUPPORT	2
12	0625060060	BALL BEARING 6006 DDU2CG23S6NM	2
13	69010054000	BEAR.DIST. RING 30,3X37,8X4,65	1
14	69010051037	CHAIN WHEEL STEEL 37-T RC8	1
15	61010056000	BOLT FOR SPROCKET SUPPORT 05	5
16	61010057000	NUT REAR SPROCKET 05	5
17	69010060000	BRAKE DISC KTM 690 08	1
18	61009062018	SPECIAL SCREW M8X18 05	5
19	69010066000	CONNECTING LINK F. 69010065108	1
20	69010081044	WHEEL SPINDLE REAR 08	1
21	60010084000	CHAIN TENSIONER R/S LC8 03	1
22	61010086000	COLLAR NUT M25X1,5 WS=32 05	1
99	61010015000	REAR WHEEL REP. KIT	1

096911010 / C096911010

\* NEW PART

X AS REQUIRED

# WIRING HARNESS

1190 RC 8 R EU 2009

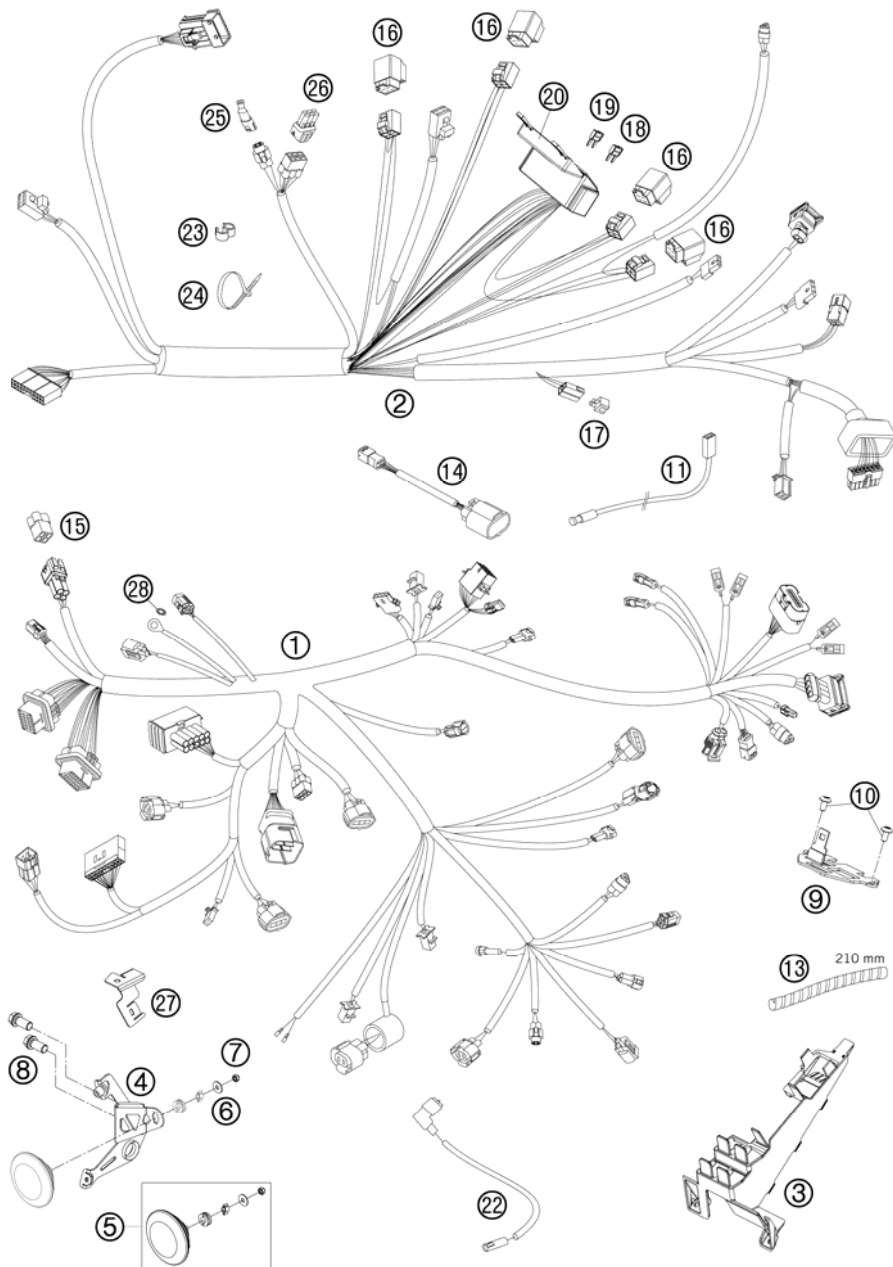


FIG	PART NUMBER	DESCRIPTION	QTY
1	69011075100	MAIN WIRING HARNESS	1
2	69011077000	WIRING HARNESS FRAME REARPART	1
3	69011048000	BRACKET FOR PLUGS	1
4	69011060010	HORN BRACKET RC8 CPL.	1
5	69011060000	HORN CPL.	1
6	0021050003	WASHER DIN9021-A 5,3	1
7	0985050003	SELF LOCKING NUT DIN0985-M 5	1
8	0025080166S	HH COLLAR SCREW M8X16 TX40	2
9	69011049000	PLUG BORD STEERING	1
10	58605083010	SCREW TORX M5X10 05	2
11	61111018000	TEMPERATURE SENSOR 07	1
13	58513001000	SPIRAL HOSE D=9MM PER METER	x
14	61111020000	STARTER INTERLOCK	1
15	000700000AN	SPARE CONNECTOR AN 4-PINS	1
16	61111057000	RELAY CM1A-R-12V-H80 07	4
17	58411096100	DIODE S3H-15 97	1
18	75011088015	FUSE 15A 07	x
19	75011088010	FUSE 10A 07	x
20	75011087050	RUBBER CASING FOR FUSE BOX	1
22	60011092000	OIL-PRESSURE SWITCH CABLE 03	1
23	60111094000	CLAMP 5/7 MM 06	1
24	44011076100	CABLE TIE 100/2,5MM BLACK	x
24	44011076200	CABLE TIE 200/3,6MM BLACK	x
24	44011076305	CABLE TIE 300/4,8MM BLACK	x
24	69011092000	CABLE TIE W. SOCKET D=6,5	2
25	69011040000	END PLUG CAN-BUS 08	1
26	000700000BH	SPARE CONNECTOR BH 6-PINS	1
27	69011078050	BRACKET F. PLUG RC8 08	1
28	58411098100	CONTACT WASHER M6 VSV-K6	1

096901110 / C09691110

\* NEW PART

X AS REQUIRED



# BATTERY

1190 RC 8 R EU 2009

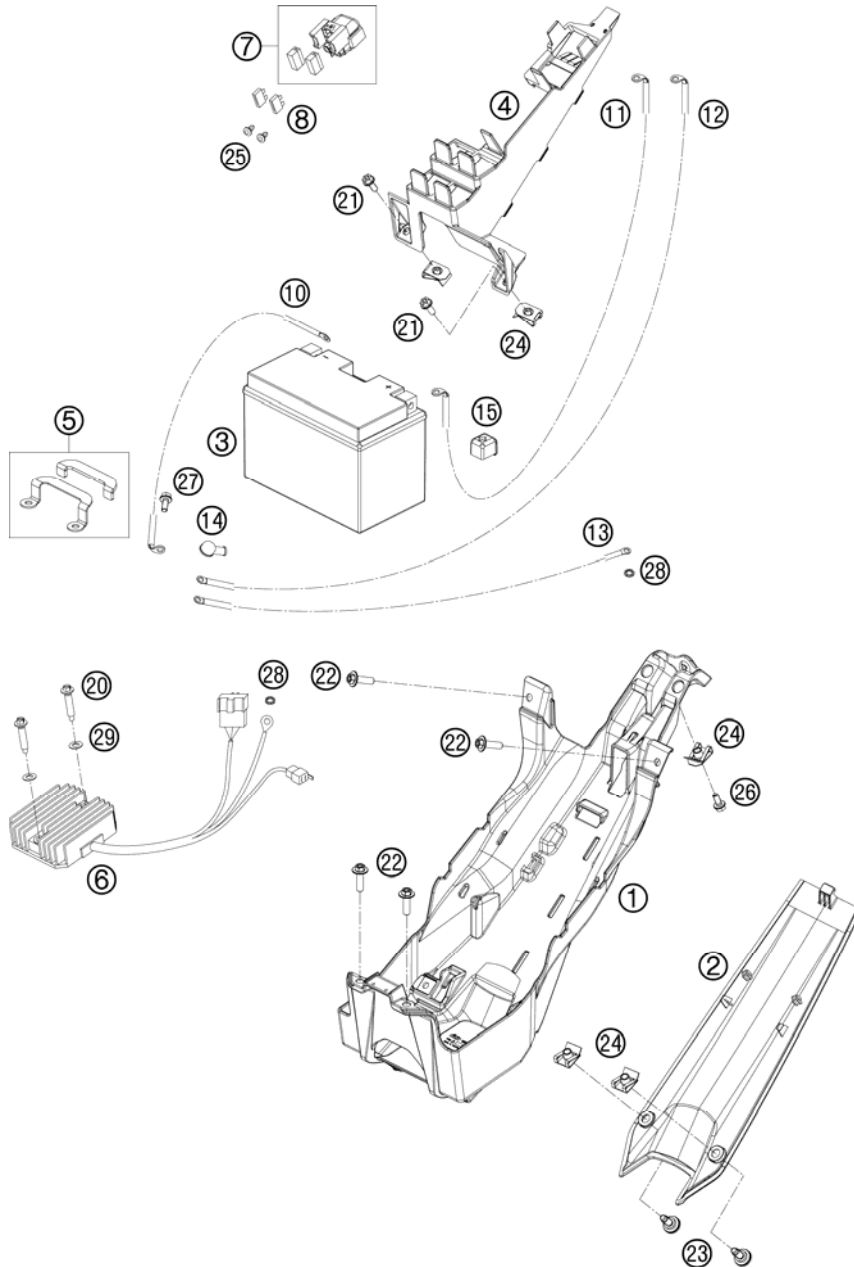


FIG	PART NUMBER	DESCRIPTION	QTY
1	69008019000	TAIL END LOWER PART RC8	1
2	6900803200033	LOWER REAR END PANEL	1
3	60011053000	BATTERY 12V/11AH 03	1
4	69011048000	BRACKET FOR PLUGS	1
5	69011055044	BATTERY RETAINING PLATE CPL.	1
6	60011034100	VOLTAGE REGULATOR	1
7	58211058000	STARTER RELAY 12V '99	1
8	58011109130	FUSE 30 A	2
10	69011097000	GROUND CABLE	1
11	69011059050	BATTERY CABLE	1
12	69011059000	STARTER CABLE	1
13	69011096000	GROUND CABLE STARTER TO FRAME	1
14	60040009000	RUBBER CAP STARTER PORT 03	1
15	69011059060	COVER F. POSITIVE POLE RC8 08	1
20	0017060303	SPECIAL SCREW T60 6X30 WS=6	2
21	58605083010	SCREW TORX M5X10 05	2
22	0024060206	HH COLLAR SCREW M6X20 TX30	4
23	69008021060	SPECIAL SCREW M5X17	2
24	69008021080	RANGE CHANGE METAL NUT M5	5
25	0902060083	AH OVAL SCREW ISO 7380 M 6X8	2
26	0025050126	HH COLLAR SCREW M5X12 TX30	1
27	0025060126	HH COLLAR SCREW M6X12 TX30	1
28	58411098100	CONTACT WASHER M6 VSV-K6	2
29	60007020040	PLASTIC WASHER 03	2

096901130 / C096911130

\* NEW PART

X AS REQUIRED

# HAND BRAKE CYLINDER

1190 RC 8 R EU 2009

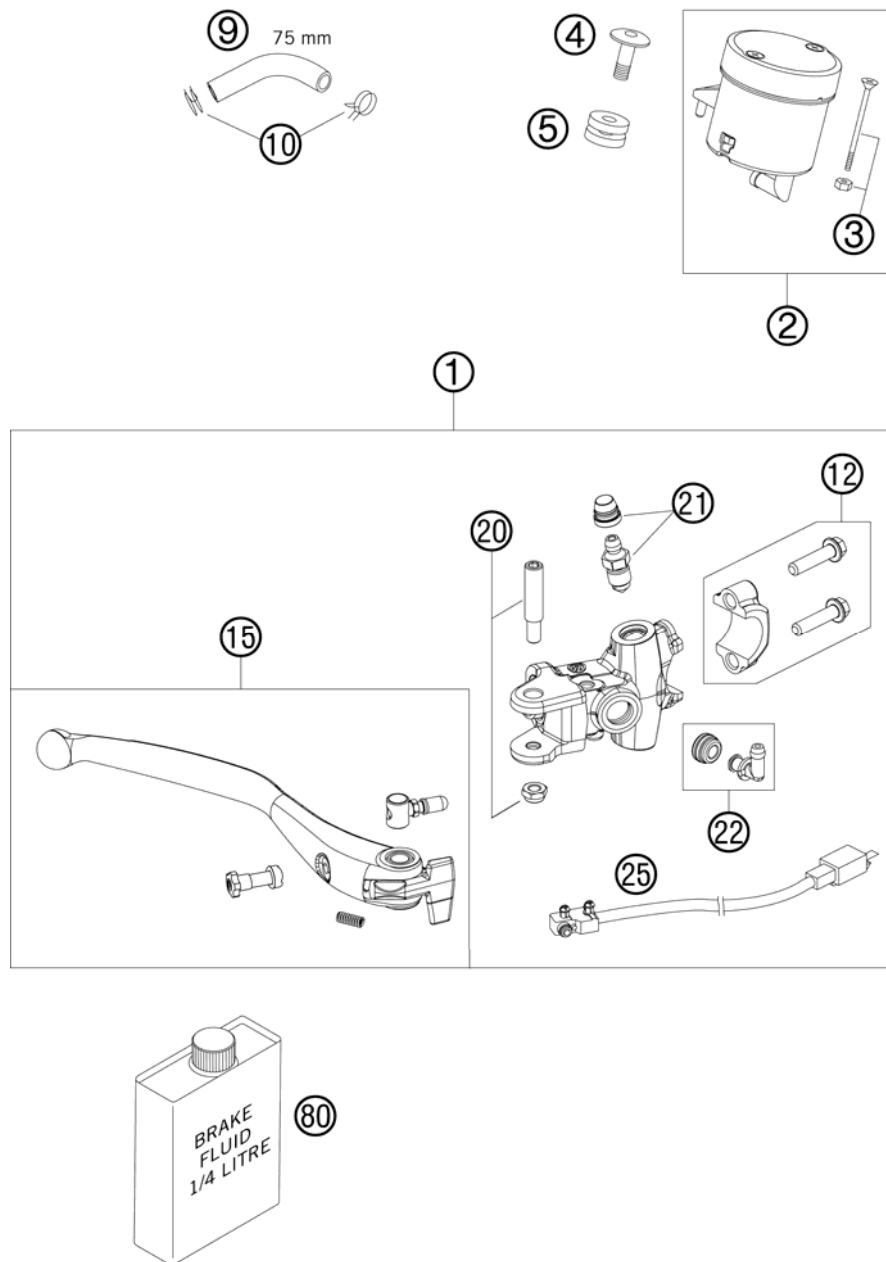


FIG	PART NUMBER	DESCRIPTION	QTY
1	69013001000	HAND BRAKE CYL. RADIAL 18MM	1
2	61013009002	BRAKE FLUID RESERVOIR CPL.	1
3	61013009003	SCREW + NUT FOR RESERVOIR	1
4	61013013050	SCREW RET.PANEL-RESERVOIR	1
5	61013013000	RUBBER BUSH 05	1
9	58007016101	HOSE FOR RESERVOIR 6X1,5	x
10	58007017000	YDNAC CLAMP 10101 (9MM)	2
12	69013005000	CLAMP CPL. 08	1
15	61013002044	HAND BRAKE LEVER 05	1
20	61013006000	LEVER SCREW CPL. 05	1
21	60013020000	BLEEDER SCREW WITH CAP	1
22	54513155000	ANGLE PIECE	1
25	61011050000	BRAKE LIGHT SWITCH FRONT 05	1
80	00062030000	BRAKE FLUID DOT5.1 0,25L	1

086901310 / C086901310

\* NEW PART

X AS REQUIRED

# REAR BRAKE CONTROL

1190 RC 8 R EU 2009

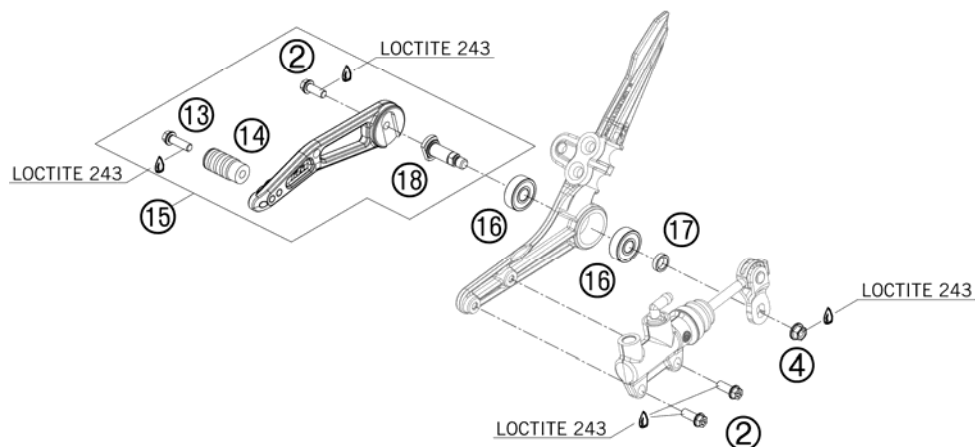
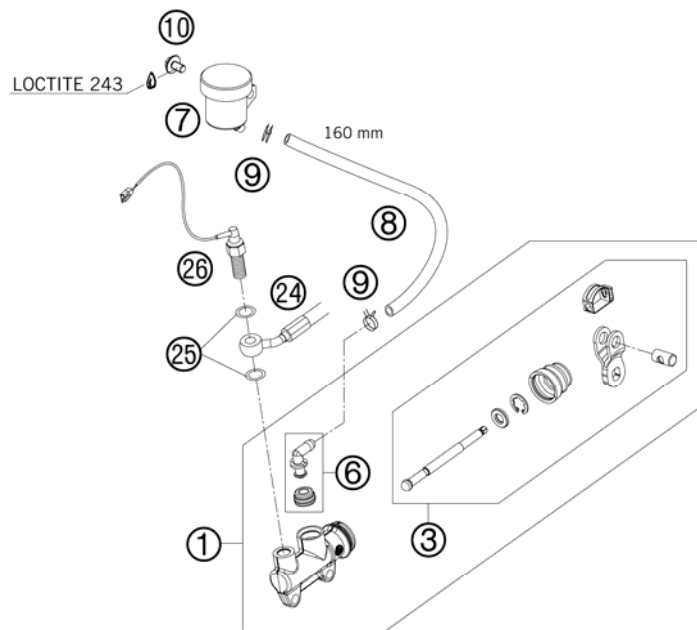


FIG	PART NUMBER	DESCRIPTION	QTY
1	6901306004430	MAIN BRAKE CYLINDER REAR CPL.	1
2	0025060166S	HH COLLAR SCREW M6X16 ISA 30	3
3	69013062000	PUSH ROD SET	1
4	49030028000	COLLAR NUT M8	1
6	54513155000	ANGLE PIECE	1
7	61013069000	RESERVOIR REAR CPL. 05	1
8	58007016101	HOSE FOR RESERVOIR 6X1,5	x
9	58007017000	YDNAC CLAMP 10101 (9MM)	2
10	69013099050	SCREW F. EXPANSION TANK	1
13	0025060206S	HH COLLAR SCREW M6X20 TX30	1
14	58303060051	BRAKE LEVER PEDAL DUKE'94	1
15	6901305004433S	BRAKE LEVER CPL. RC8	1
16	0625060002	BALL BEARING SKF 6000-2RS1	2
17	69013054000	SPACER F. BRAKE-LEV.-REDIRECT.	1
18	69013051000	SHAFT F. BRAKE-LEVER-REDIRECT.	1
24	6901307200030	BRAKE TUBE REAR	1
25	0603100141	COPPER GASKET DIN7603-10X14X1	2
26	61011051000	BRAKE LIGHT SWITCH REAR 05	1

086901330 / C096911330

\* NEW PART

X AS REQUIRED

# BRAKE CALIPER FRONT

1190 RC 8 R EU 2009

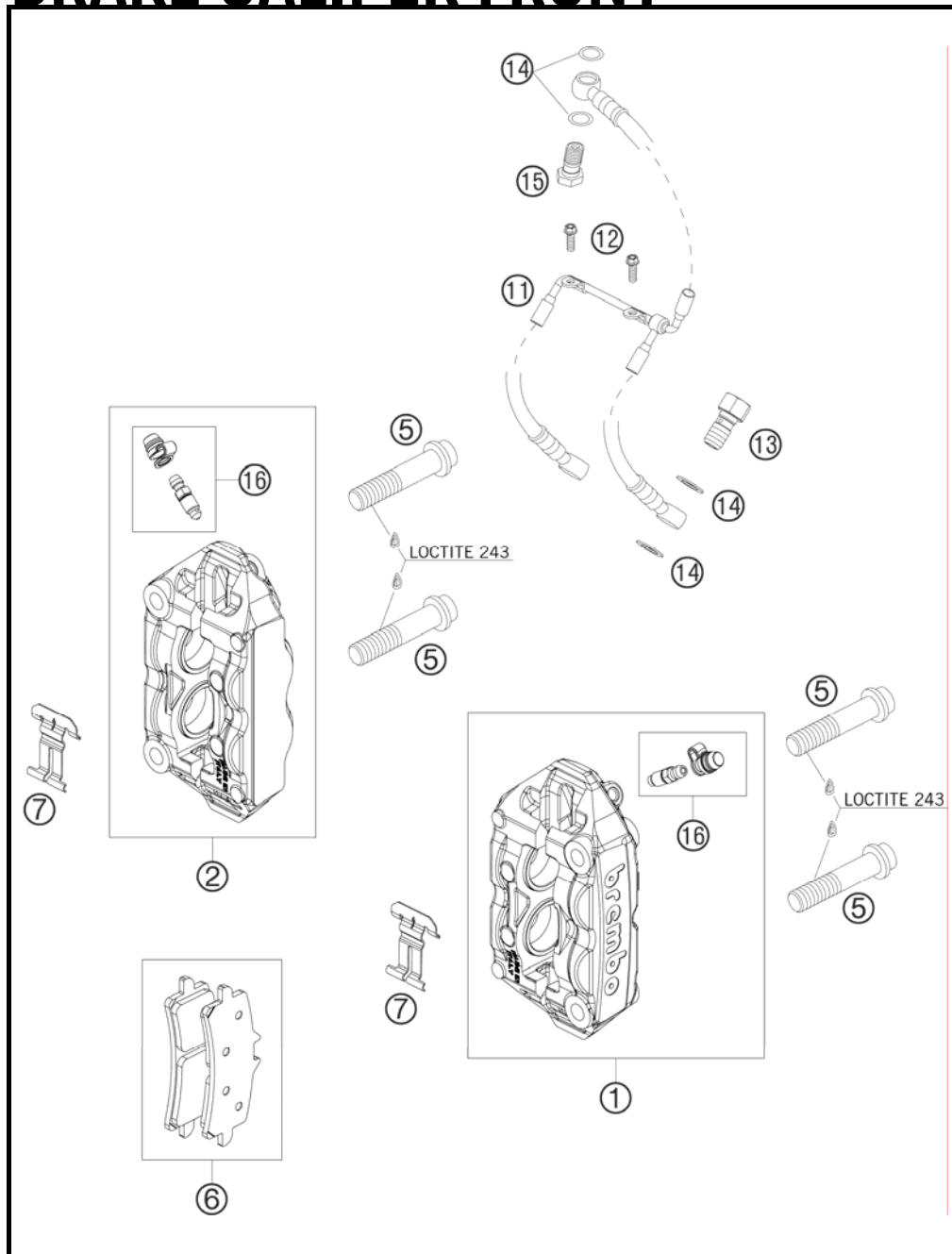


FIG	PART NUMBER	DESCRIPTION	QTY
1	6901301500130	CALIPER L/S WITHOUT PADS	1
2	6901301600130	CALIPER R/S WITHOUT PADS	1
5	0035100559	AH-COLLAR SCREW M10X1,25X55	4
6	69013030000	BRAKE-PADS FRONT TOSH.TT2172HH	2
7	69013018000	SPRING PLATE	2
11	6901301200030	BRAKE TUBE FRONT	1
12	0025060126	HH COLLAR SCREW M6X12 TX30	2
13	54813020100	HOLLOW SCREW BLACK M10X1X19	2
14	0603100141	COPPER GASKET DIN7603-10X14X1	6
15	69013025000	HOLLOW SCREW M10X1X19 SW12	1
16	61013020100	BLEEDER SCREW WITH CAP	2

086901360 / C096911360

\* NEW PART

X AS REQUIRED

# BRAKE CALIPER REAR

1190 RC 8 R EU 2009

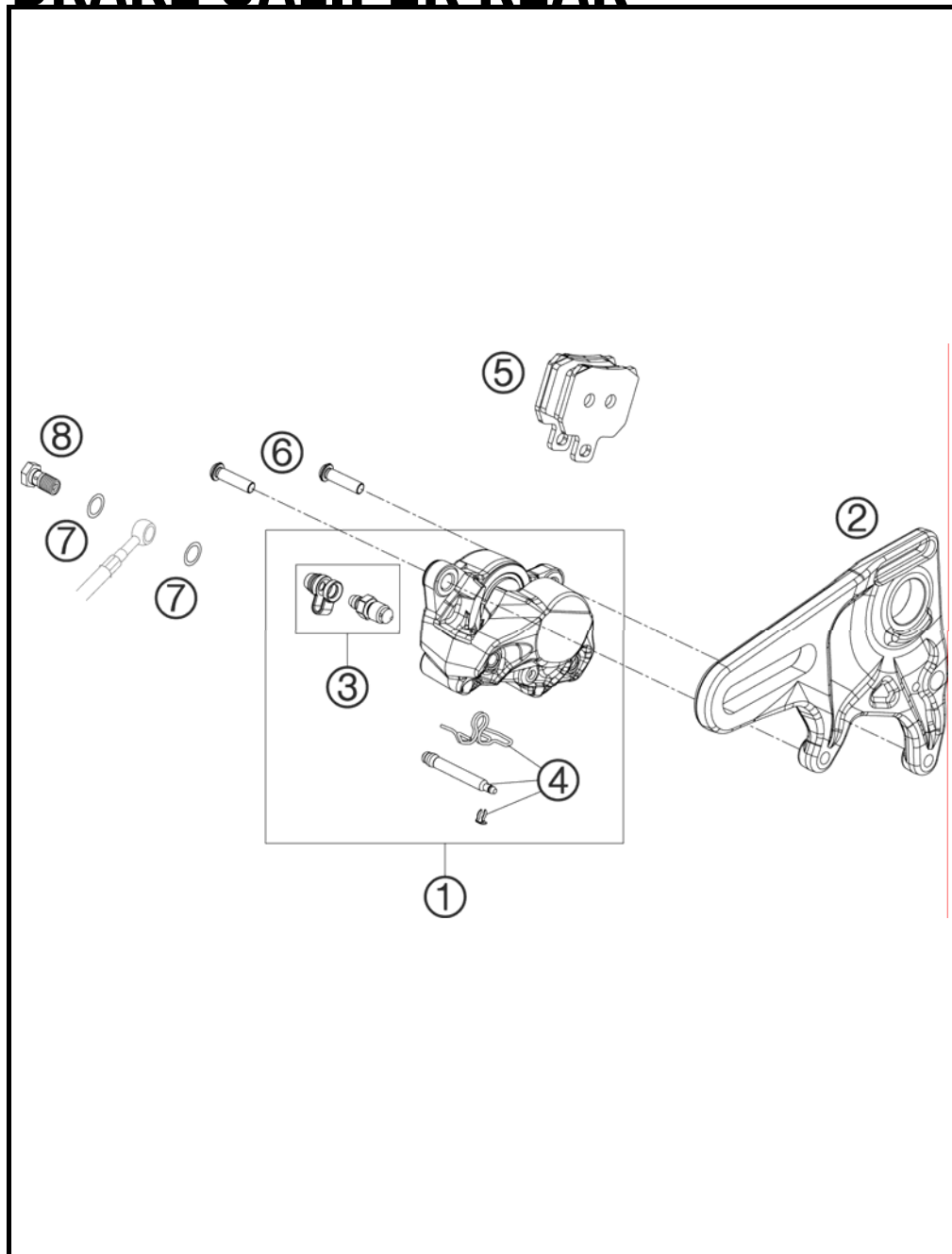


FIG	PART NUMBER	DESCRIPTION	QTY
1	6901308000130	CALIPER REAR WITHOUT PADS	1
2	6901307500001	BRAKE-CALIPER SUPPORT	1
3	69013020000	BLEEDER SCREW WITH CAP	1
4	69013082000	BOLT KIT 08	1
5	69013090000	BRAKE-PADS REAR SBS S40GF	1
6	69013076000	SCREW F. BRAKE CALIPER	2
7	0603100141	COPPER GASKET DIN7603-10X14X1	2
8	54813020100	HOLLOW SCREW BLACK M10X1X19	1

086901390 / C096911390

\* NEW PART

X AS REQUIRED

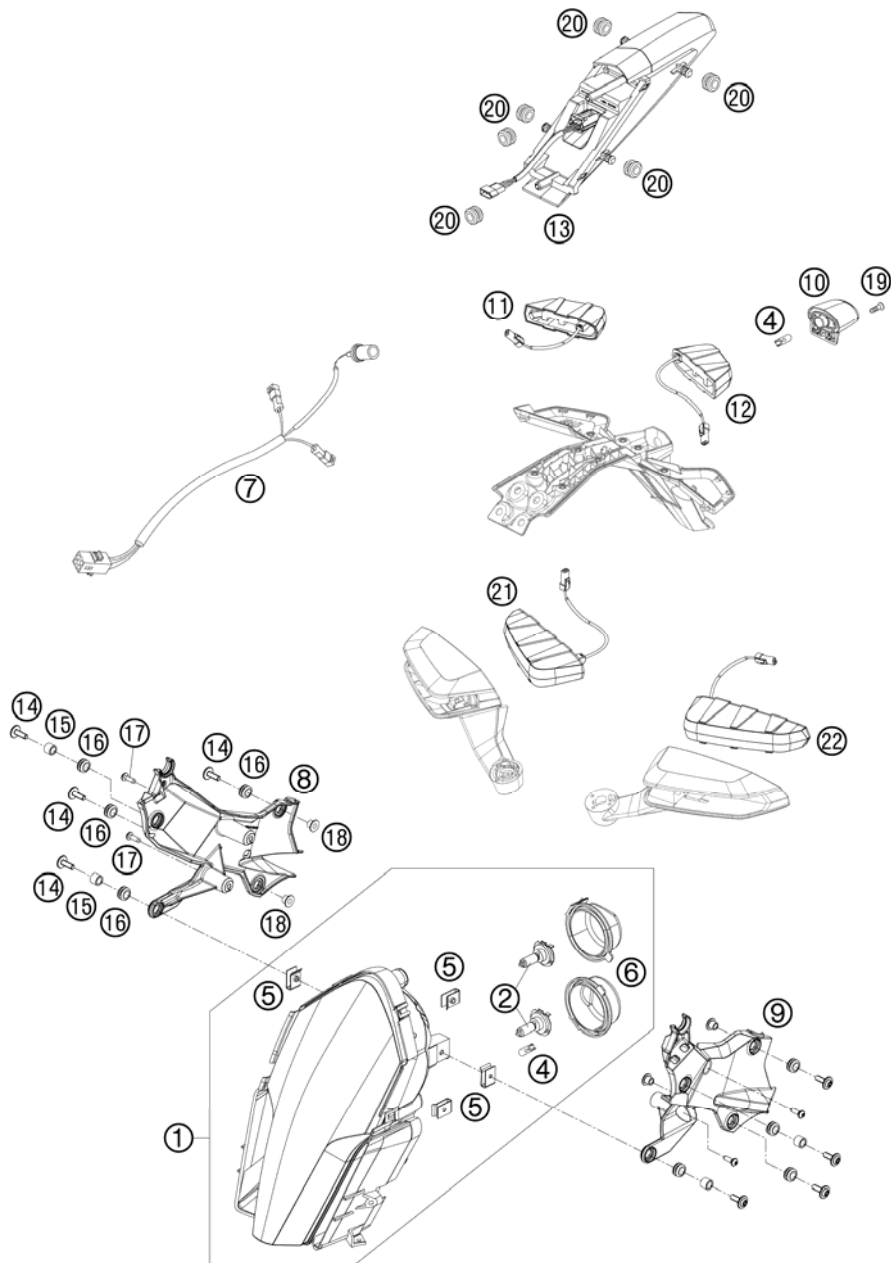


FIG	PART NUMBER	DESCRIPTION	QTY
1	69014001000	HEADLIGHT RC8	1
2	60014003100	BULB H7 12V 55W	2
4	49011435100	BULB 12V 5W (W2,1X9,5D) PHIL.	2
5	69008021080	RANGE CHANGE METAL NUT M5	4
6	69014001050	RUBBER CAP FOR HEADLIGHT 08	2
7	69011076000	WIRING HARN. NUMB.-PLATE ILLU.	1
8	6901401100033	HEAD LIGHT BRACKET R/S 08	1
9	6901401000033	HEAD LIGHT BRACKET L/S 08	1
10	75014047000	LICENSE PLATE ILLUMINATION 07	1
11	69014025000	FLASHER FR.L/S / RE.R/S EU 08	1
12	69014026000	FLASHER FR.R/S / RE.R/S EU 08	1
13	69014040000	REAR LIGHT CPL.	1
14	69014017000	SPECIAL SCREW M6X18 ISA30 08	8
15	69014014000	BUSHING 6,1X9,2X7,5 08	4
16	60006001022	RUB.SLEEVE FLOAT CHAMB.VENTING	8
17	0081050161	EJOT PT SCREW K50X16 1451	4
18	69014015000	BUSHING HEAD LIGHT 08	4
19	0081040161	SCREW FOR PLASTIC K40X16 T20	1
20	69014078000	RUBBER SLEEVE 10X14X20 08	6
21	69014526000	FLASHER FR.R/S / RE.L/S USA 08	1
22	69014525000	FLASHER FR.L/S / RE.R/S USA 08	1

086901410 / C086901410

\* NEW PART

X AS REQUIRED

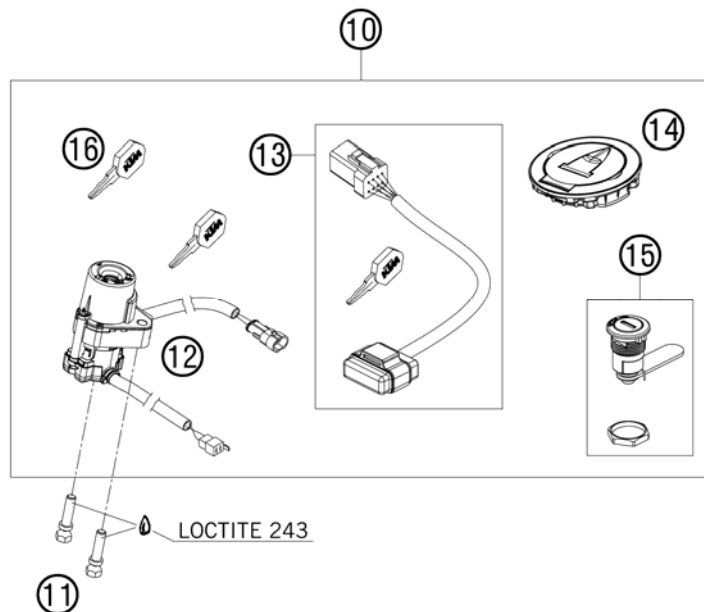
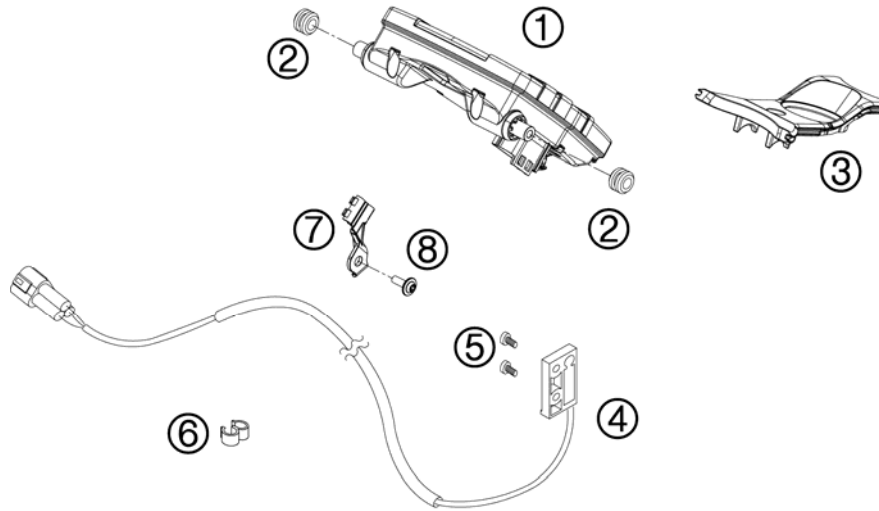


FIG	PART NUMBER	DESCRIPTION	QTY
1	69014069100	SPEEDOMETER KM/H 09	1
2	69014078000	RUBBER SLEEVE 10X14X20 08	2
3	69014012000	COVER IGNITION LOCK 08	1
4	61014068000	SPEEDOMETER SENSOR 06	1
5	0084040083	CYL.HEAD SCREW DIN0084-M 4X8 A	2
6	60111094000	CLAMP 5/7 MM 06	3
7	69101085000	SPEEDOMETER CABEL FIXING RC8	1
8	69014017000	SPECIAL SCREW M6X18 ISA30 08	1
10	69011066144	LOCK KIT RC8 09	1
11	61111064000	TAMPER-PROOF SCREW 07	2
12	69011066100	STARTER LOCK RACELOCK W. ANT.	1
13	69011021000	IMMOBILIZER 08	1
14	69007008000	TANK CAP	1
15	69007050000	SEAT LOCK	1
16	69011067000	KEY WITH TRANSPONDER	1

096911430 / C096911430

\* NEW PART

X AS REQUIRED

# ACCESSORIES KIT

1190 RC 8 R EU 2009

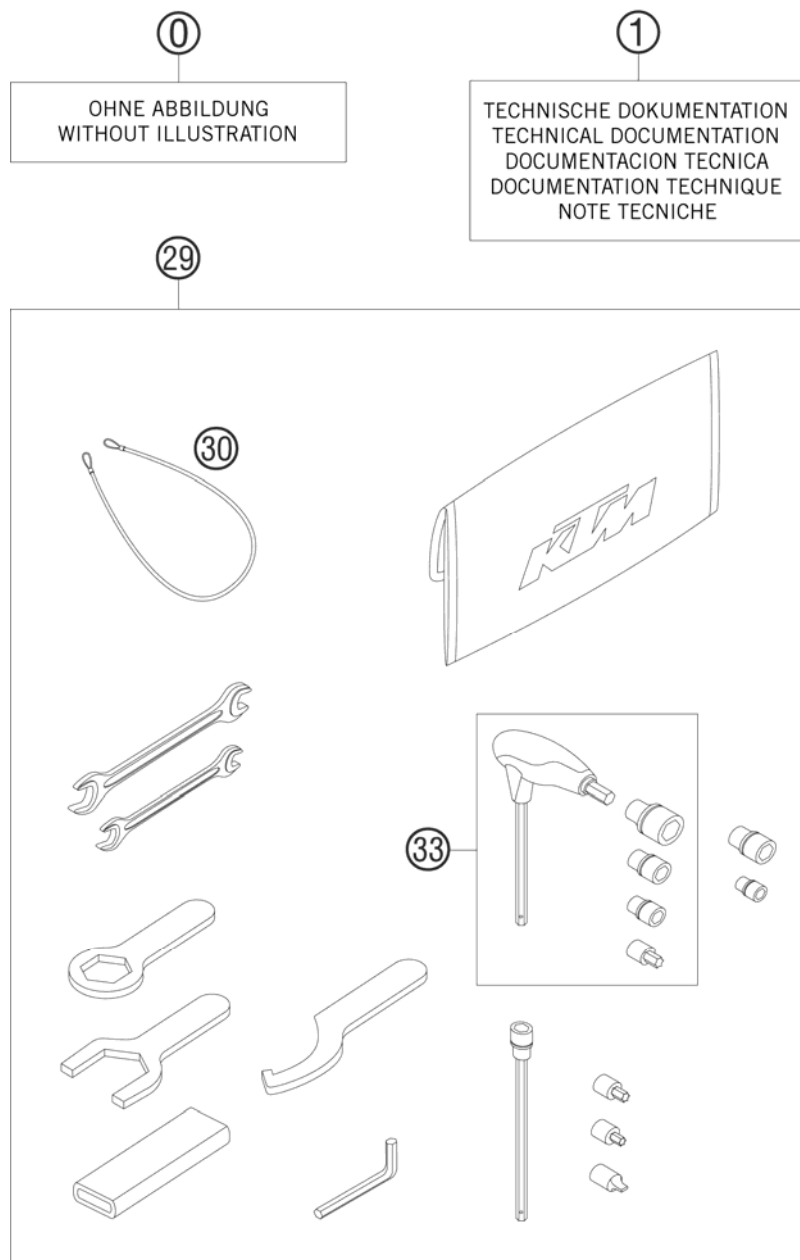


FIG	PART NUMBER	DESCRIPTION	QTY
0	00063099111	BAG FOR INSTRUCTION MANUAL	1
0	0021060003	WASHER DIN9021-A 6,4	4
0	0024060156	HH COLLAR SCREW M6X15 TX30	4
0	0025080506	HH COLLAR SCREW M8X50 TX40	2
0	0025080556	HH COLLAR SCREW M8X55 TX40	2
0	0125050003	WASHER DIN0125-A 5,3	2
0	0966050163	OVAL HEAD SCREW DIN0966-M 5X16	2
0	0985050003	SELF LOCKING NUT DIN0985-M 5	2
0	0985060003	SELF LOCK. NUT DIN0985-M 6	4
0	312305	DOCUMENTS BAG 2006	1
0	312313	KTM BALLPOINT ORANGE	1
0	3210039	CUSTOMER WELCOME LETTER	1
0	40006006000	WASHER 6MM	2
0	58412080000	REFLECTOR RED LC4 '98	1
0	58412080050	BRACKET FOR REFLECTOR	1
0	60012081200	LICENCE FITTING 06	1
0	6900304803333S	FOOTR. SUP. REAR L/S CPL. BL.	1
0	6900304903333S	FOOTR. SUP. REAR R/S CPL. BL.	1
0	69007040090	STICKER SEAT LOCKING	1
0	69007047000	PASSENGER SEAT	1
0	69007047050	PASSENGER'S SEAT PLATE KIT	1
0	69008026060	WASHER RC8	2
1	3211375EN	OWNERS MANUAL 1200 RC8-R 09	1
29	69029099000	TOOL KIT	1
30	60012015000	HELMET LOCK 04	1
33	60029070200	T-WRENCH WS=6/8/10 TX=45 B&F	1

086902001 / C096912001

\* NEW PART

X AS REQUIRED











KTM-Sportmotorcycle AG  
A-5230 Mattighofen  
[www.ktm.at](http://www.ktm.at)

KTM Group Partner



3CF99031ZEN



Art.Nr.: 3CF99031ZEN 1/2009