

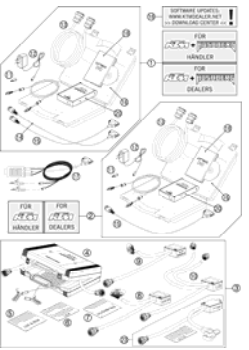
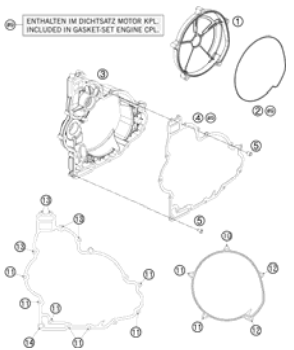
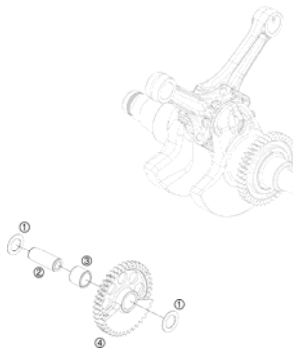
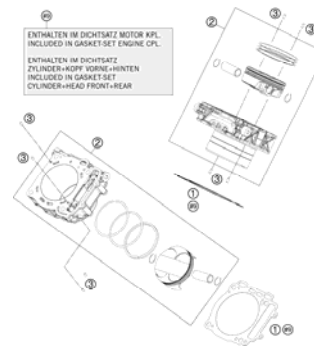
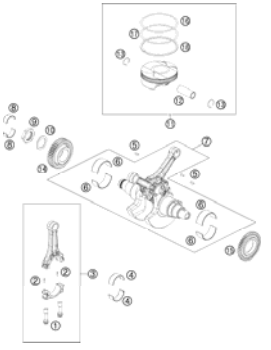
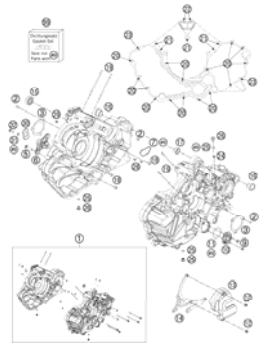
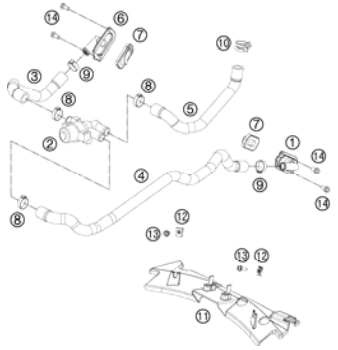
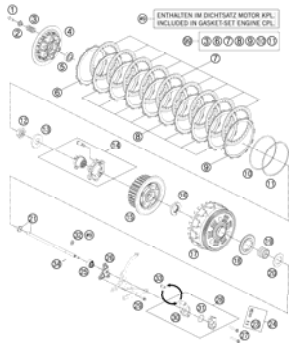
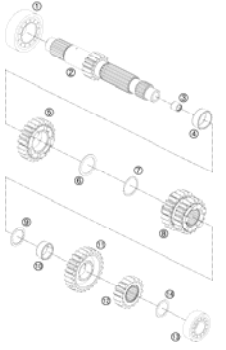
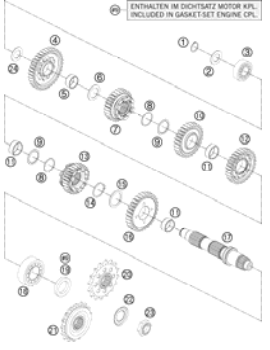
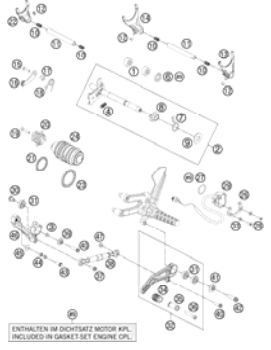
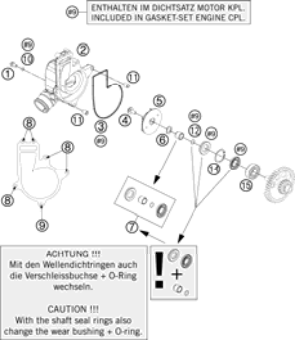
1190 RC8 R 2012

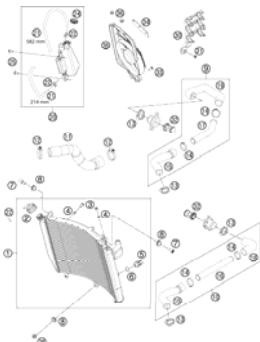
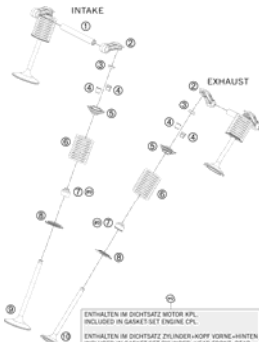

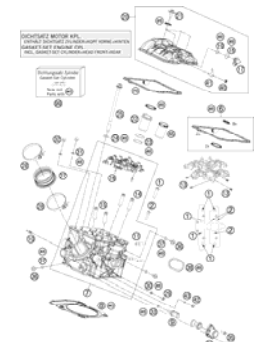
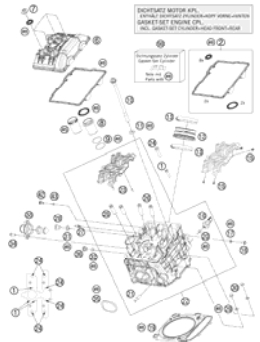
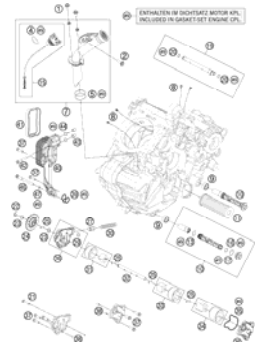
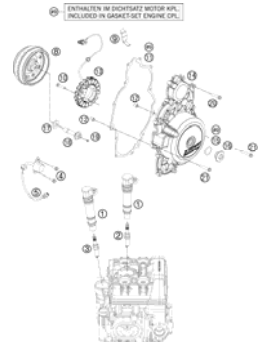
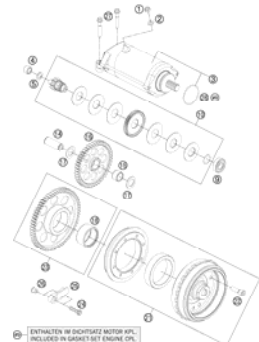
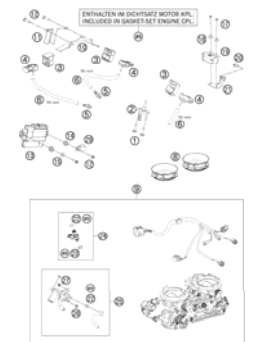
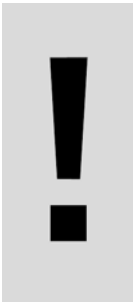
SPARE PARTS MANUAL: ENGINE

ART.NO.: 3CM089861LEN

ENGLISH



DIAGNOSTIC TOOL  <p>SOFTWARE UPDATES WWW.KTM.COM OR DOWNLOAD CENTER FOR HANDLER FOR DEALERS</p> <p>FOR HANDLER FOR DEALERS</p>	CLUTCH COVER  <p>ENTHALTEN IM DICHTSATZ MOTOR KPL. INCLUDED IN GASKET SET ENGINE CPL.</p>	BALANCER SHAFT 	CYLINDER  <p>ENTHALTEN IM DICHTSATZ MOTOR KPL. INCLUDED IN GASKET SET ENGINE CPL.</p> <p>ENTHALTEN IM DICHTSATZ ZYLINDER-KOPF VORNE+HINTEN INCLUDED IN GASKET SET CYLINDER+HEAD FRONT+REAR</p>
CRANKSHAFT, PISTON 	ENGINE CASE  <p>ENTHALTEN IM DICHTSATZ MOTOR KPL. INCLUDED IN GASKET SET ENGINE CPL.</p>	SECONDARY AIR SYSTEM SAS 	CLUTCH  <p>ENTHALTEN IM DICHTSATZ MOTOR KPL. INCLUDED IN GASKET SET ENGINE CPL.</p>
TRANSMISSION I - MAIN SHAFT 	TRANSMISSION II - COUNTERSHAFT  <p>ENTHALTEN IM DICHTSATZ MOTOR KPL. INCLUDED IN GASKET SET ENGINE CPL.</p>	SHIFTING MECHANISM  <p>ENTHALTEN IM DICHTSATZ MOTOR KPL. INCLUDED IN GASKET SET ENGINE CPL.</p>	WATER PUMP  <p>ENTHALTEN IM DICHTSATZ MOTOR KPL. INCLUDED IN GASKET SET ENGINE CPL.</p> <p>ACHTUNG !!! Mit den Wellendichtringen auch die Verschleißbuchse + O-Ring wechsell.</p> <p>CAUTION !!! With the shaft seal rings also change the wear bushing + O-ring.</p>

<p>COOLING SYSTEM</p>  <p style="text-align: right;">16</p>	<p>VALVE DRIVE</p>  <p style="text-align: right;">17</p>	<p>TIMING DRIVE</p>  <p style="text-align: right;">18</p>	<p>CYLINDER HEAD REAR</p>  <p style="text-align: right;">19</p>
<p>CYLINDER HEAD FRONT</p>  <p style="text-align: right;">21</p>	<p>LUBRICATING SYSTEM</p>  <p style="text-align: right;">23</p>	<p>IGNITION SYSTEM</p>  <p style="text-align: right;">25</p>	<p>ELECTRIC STARTER</p>  <p style="text-align: right;">26</p>
<p>THROTTLE BODY</p>  <p style="text-align: right;">27</p>	<div style="display: flex; align-items: center;"> <div style="flex: 1; text-align: center;">  </div> <div style="flex: 2;"> <p>All information contained is without obligation. KTM-Sportmotorcycle AG particularly reserves the right to modify any equipment, technical specifications, prices, colors, shapes, materials, services, service work, constructions, equipment and the like so as to adapt them to local conditions or to cancel any of the above items, all without previous announcement and without giving reasons. KTM may stop manufacturing certain models without previous notice. KTM shall not be held liable for any deviations of availability and/or ability to deliver, illustrations, descriptions, printing and/or other errors. The illustrated models partly contain extra equipment, which is not applied to standard models. © by KTM-SPORTMOTORCYCLE AG, Mattighofen AUSTRIA; All rights reserved; Reprint, also in extracts, with written allowance of KTM-SPORTMOTORCYCLE AG, Mattighofen only.</p> </div> </div>		

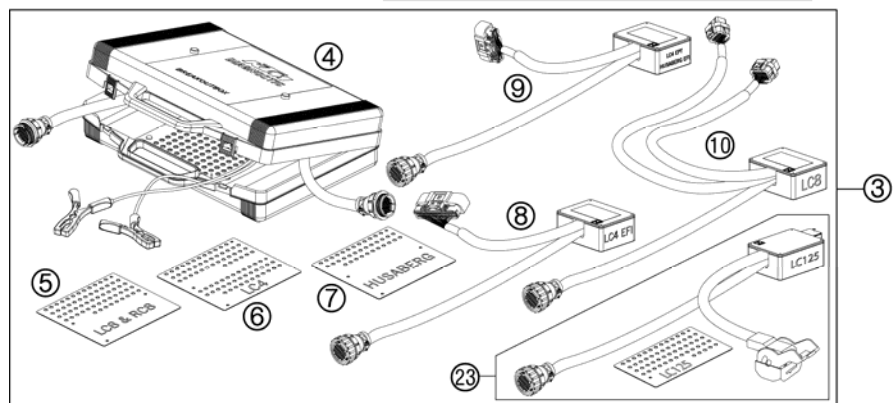
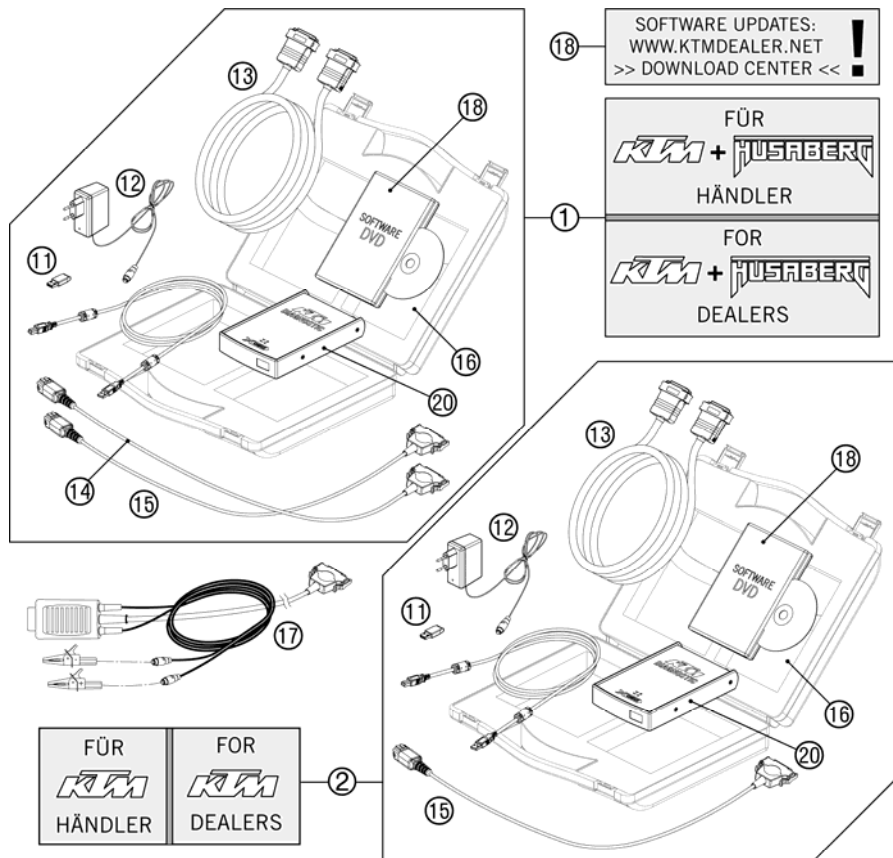


FIG	PART NUMBER	DESCRIPTION	QTY
1	00029096200	DIAGNOSTIC TOOL HUSABERG/KTM	1
2	00029096100	DIAGNOSTIC TOOL KTM	1
3	00029095000	BREAKOUT-BOX KPL.	1
4	00029095001	BREAKOUT-BOX	1
5	00029095005	TEMPLATE LC8 / RC8	1
6	00029095006	TEMPLATE LC4	1
7	00029095007	TEMPLATE HUSABERG	1
8	00029095003	ADAPTER LC4 EFI	1
9	00029095004	ADAPTER LC4 EPT/HUSABERG EFI	1
10	00029095002	ADAPTER LC8	1
11	00029096006	DIAGNOSTIC HASP DONGLE XC1	2
12	00029096003	POWERSUPPLY 220V/12V FOR AVL	2
13	00029096002	EXTENSION CABLE	2
14	00029096001	DIAGNOSTIC CABLE HUSABERG	1
15	00029096009	DIAGNOSTIC CABLE KTM	2
16	00029096004	CASE FOR DIAGNOSTIC-TOOL	1
17	00029096010	DIAGN. CABLE EXT. POWER SUPPLY	1
18	00029096007	DVD KTM XC-1 UPDATE V2.0	2
20	00029096011	FRAME XC_1 SCANBOX KTM	1
23	00029095009	ADAPTER LC125	1

100002921 / C100002921

* NEW PART

X AS REQUIRED

CLUTCH COVER

1190 RC8 R 2012

#9

ENTHALTEN IM DICHTSATZ MOTOR KPL.
INCLUDED IN GASKET-SET ENGINE CPL.

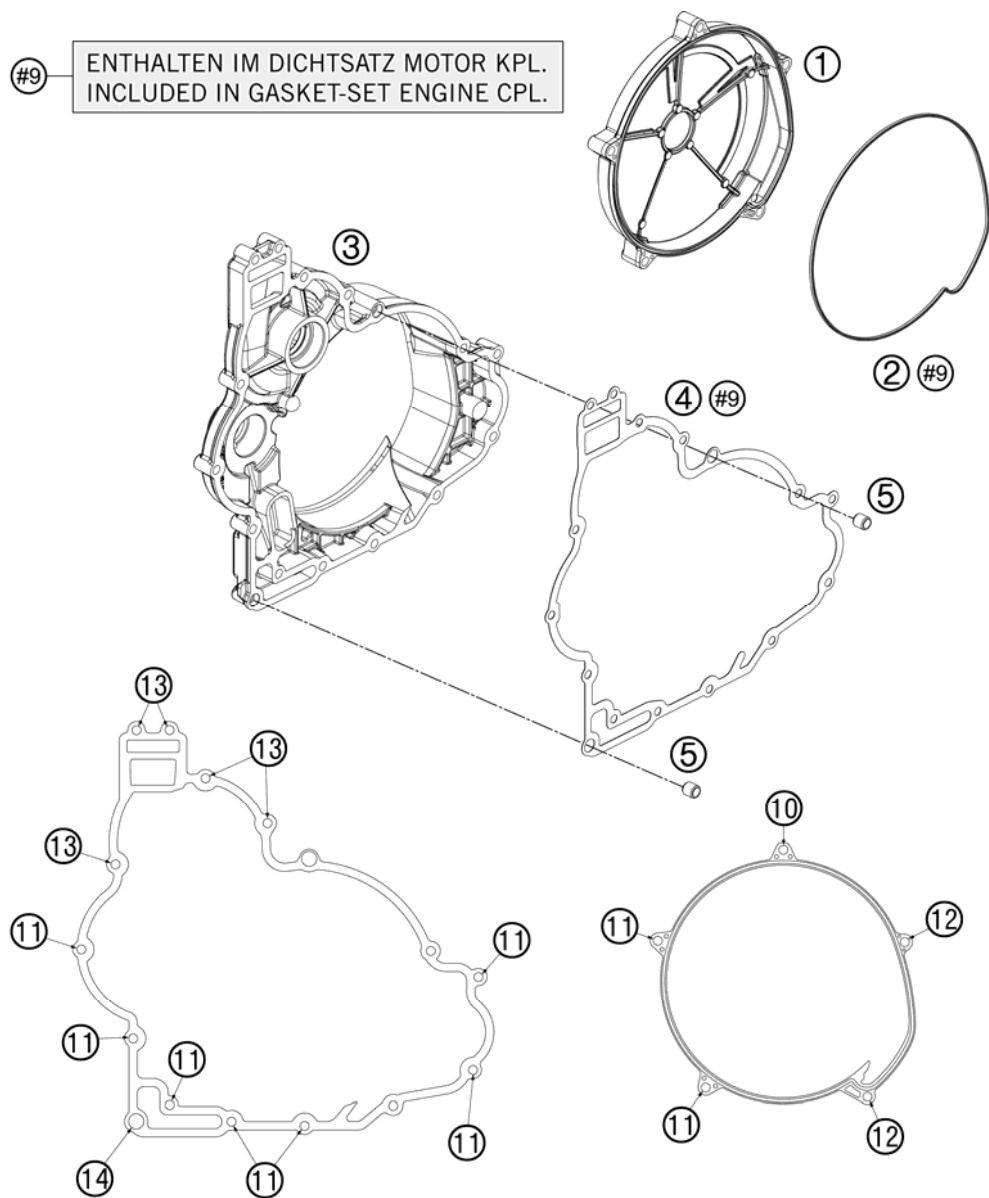


FIG	PART NUMBER	DESCRIPTION	QTY
1	6123002600041	OUTER CLUTCH COVER 09	1
2	61230027000	MOLDED RING OUTER CLUTCH COVER	1
3	6123000114441	CLUTCHCOVER WITH BEARING	1
4	61230025000	CLUTCH COVER GASGET 08	1
5	49030090000	DOWEL 9,8 X 7 X 10	2
10	0025060956	HH COLLAR SCREW M6X95 TX30	1
11	0025060306	HH COLLAR SCREW M6X30 TX30	9
12	0025060906	HH COLLAR SCREW M6X90 TX30	2
13	0025060456	HH COLLAR SCREW M6X45 TX30	5
14	0025060356	HH COLLAR SCREW M6X35 TX30	1

116933020 / C116933020

* NEW PART

X AS REQUIRED

BALANCER SHAFT

1190 RC8 R 2012

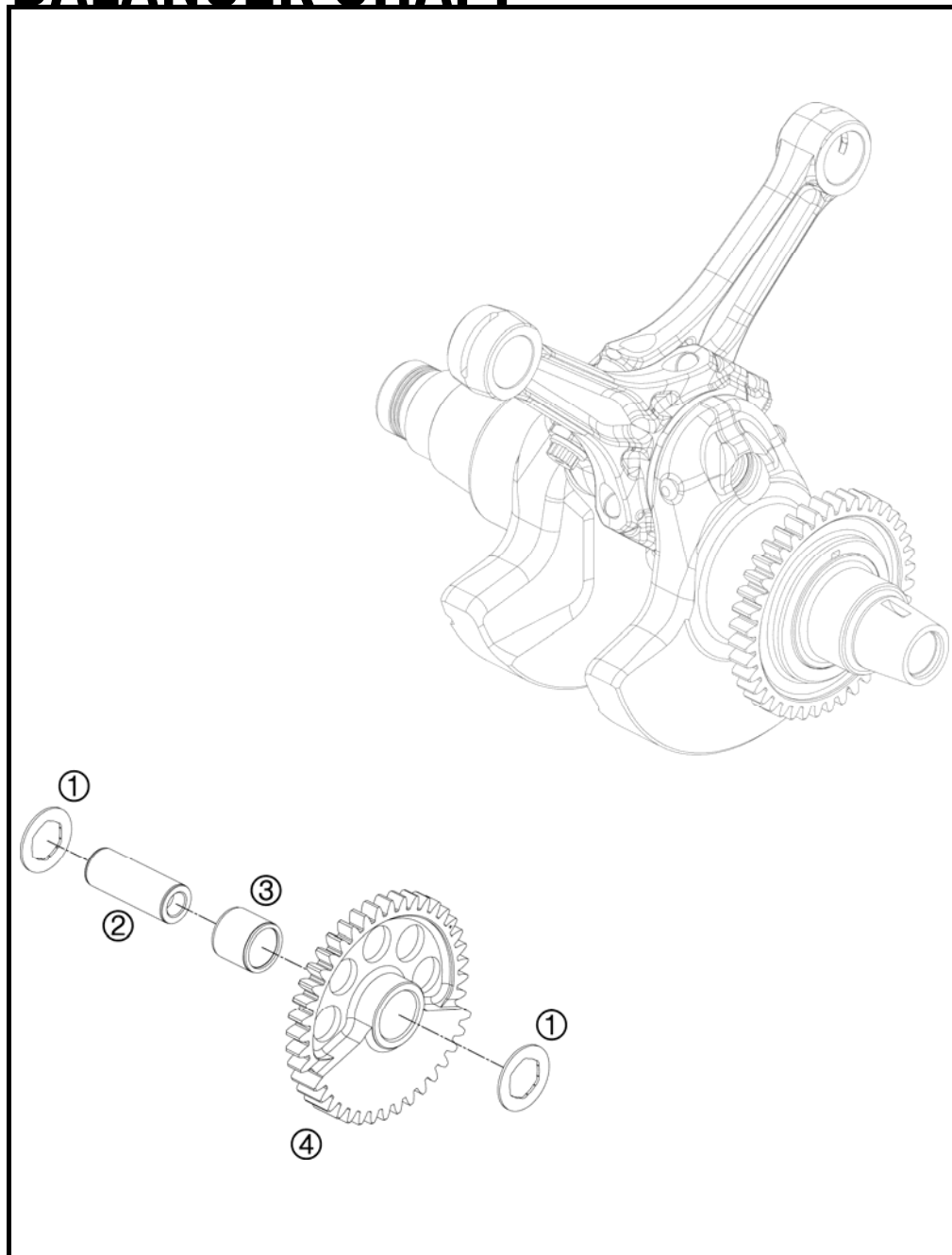


FIG	PART NUMBER	DESCRIPTION	QTY
1	61230057060	STOP DISK 15,2X25X1	2
2	61230058050	BEARING BOLT 15X39 08	1
3	0405151917	NEEDLE BEARING K 15X19X17	1
4	61230058000	BALANCER SHAFT L/S 08	1

116933030 / C116933030

* NEW PART

X AS REQUIRED

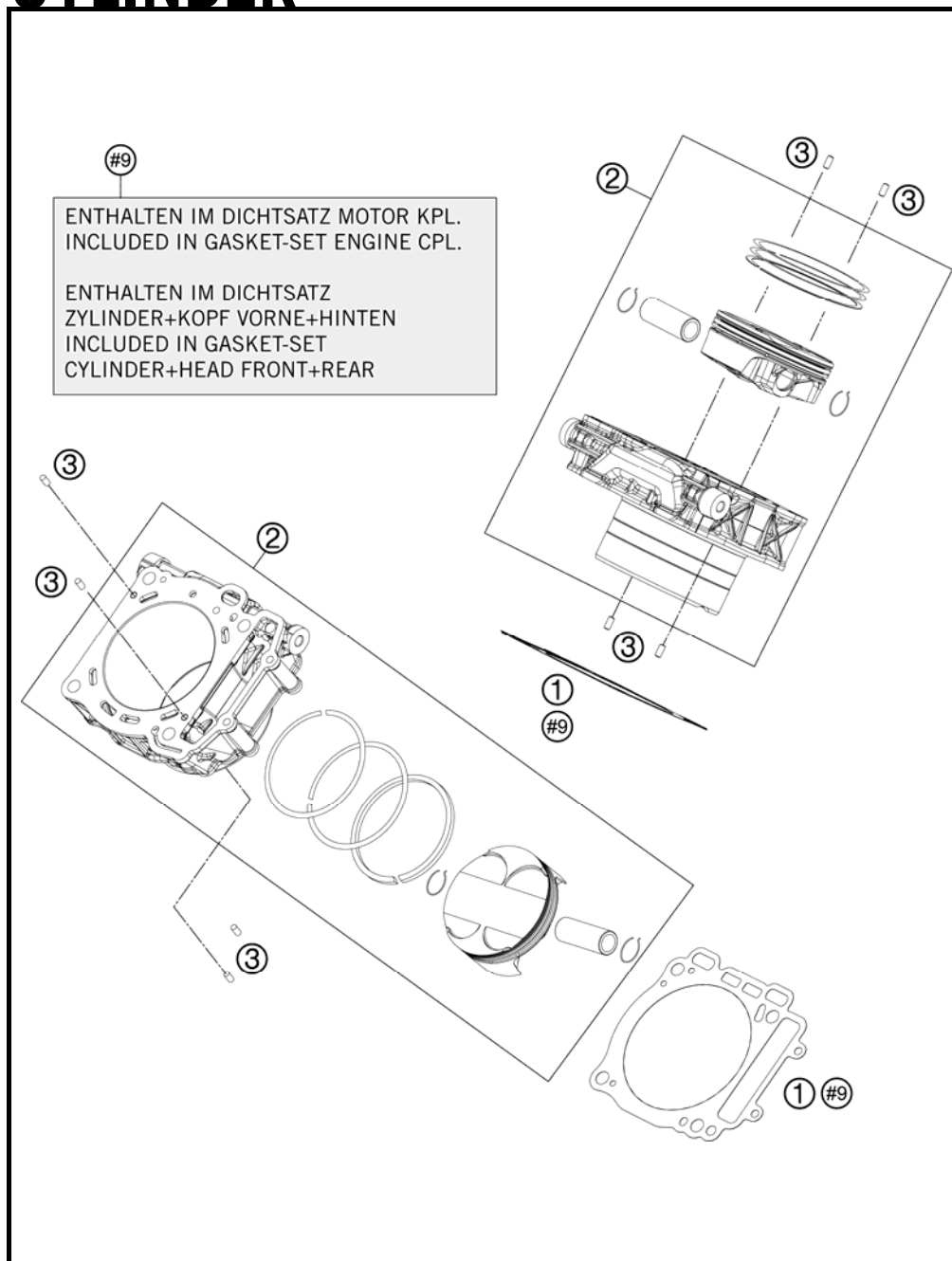


FIG	PART NUMBER	DESCRIPTION	QTY
1	61230035000	CYLINDER BASE GASGET 08	2
2	6913003800024	CYLINDER + PISTON CPL	2
3	0474050100	GROOVED PIN DIN1474 5X10	8

116933040 / C116933040

* NEW PART

X AS REQUIRED

CRANKSHAFT, PISTON

1190 RC8 R 2012

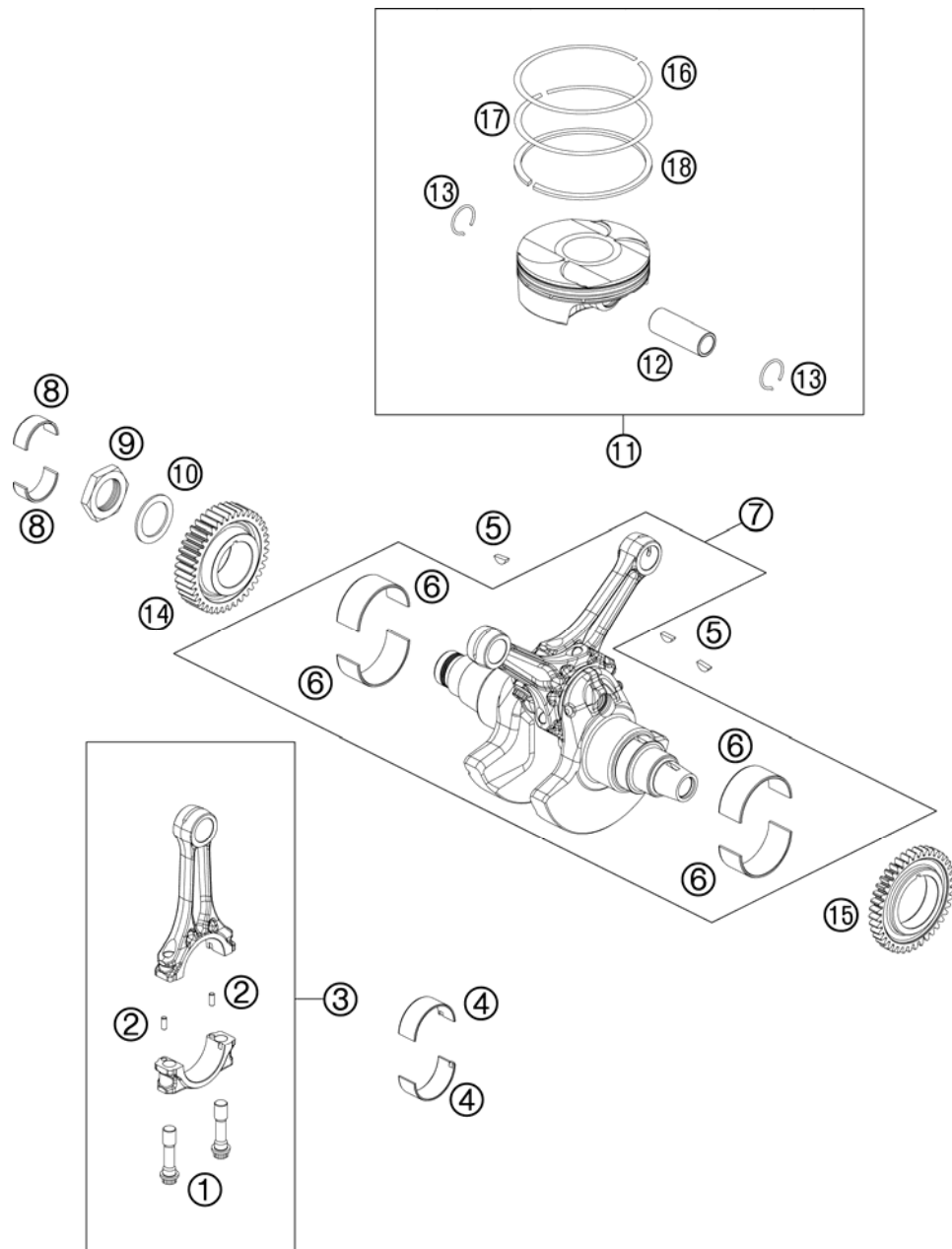


FIG	PART NUMBER	DESCRIPTION	QTY
1	61230015100	CONNECTING ROD SCREW MJ10X1	4
2	0402040980	NEEDLE ROL.DIN5402 NRB 4X9,8	4
3	69130013000	CONNECTING ROD CPL. 122 MM	2
4	612300151101	SPLIT BEAR. BUSH RED	x
4	612300151102	SPLIT BEAR. BUSH BLUE	x
4	612300151103	SPLIT BEAR. BUSH YELLOW	x
5	0888040050	WOODRUFF KEY DIN6888 4X5X13	3
6	612300820001	SPLIT BEAR. BUSH RED 08	x
6	612300820002	SPLIT BEAR. BUSH BLUE 08	x
6	612300820003	SPLIT BEAR. BUSH YELLOW 08	x
7	69330018100	CRANKSHAFT CPL.	1
8	60030026010	BUSHING BOWL 28X32X13 03	2
9	60032009050	HH-NUT M33X1,5 L/S WS46 03	1
10	60032009040	WASHER 33,2X46X2 03	1
11	69130007000 I	PISTON CPL.	x
11	69130007000 II	PISTON CPL.	x
12	61230033000	PISTON PIN D=20 08	2
13	77630074000	CIRCLIP	4
14	61230055000	PRIMARY GEAR	1
15	61230056000	DRIVE WHEEL BALANCER SHAFT 08	1
16	69130032100	OIL SCRAPER PISTON RING	2
17	69130031000	TAPERED COMP. PISTON RING	2
18	69130030000	RECTANGULAR RING	2

116933060 / C116933060

* NEW PART

X AS REQUIRED

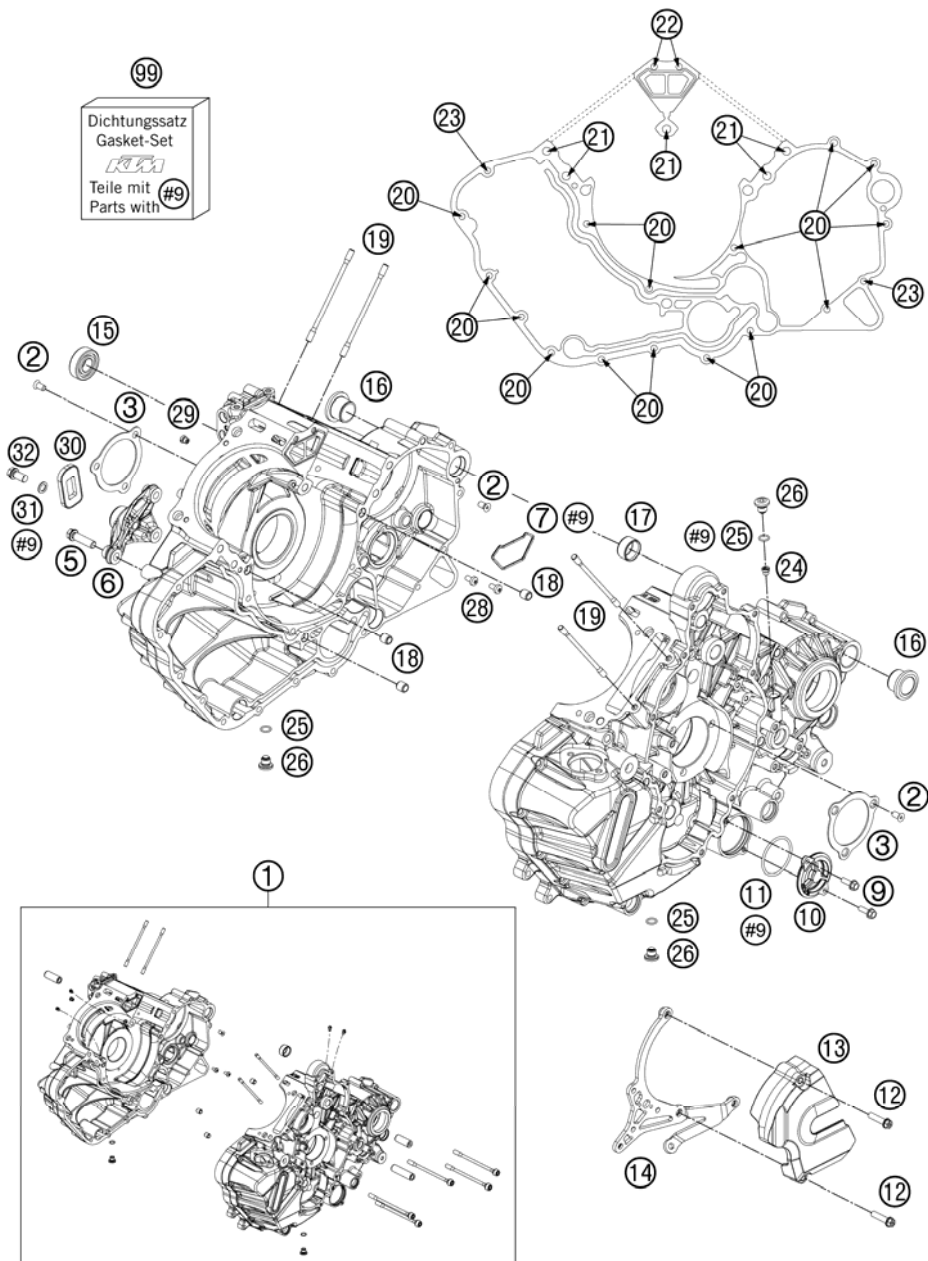


FIG	PART NUMBER	DESCRIPTION	QTY
1	6913000014424	ENGINE CASE CPL. WITH BEARINGS	1
2	0019050106	INT. TORX FLAT HEAD M5X10 10.9	7
3	61230084000	BRACKET FOR BEARING INSERT 08	2
5	0025080306	HH COLLAR SCREW M8X30 TX40	3
6	61230066100	ENGINE BRACKET R/S	1
7	61230039100	MOLDED RING CASE CENTER	1
9	0025050166	HH COLLAR SCREW M5X16 TX30	2
10	75038041200	OILFILTER CAP	1
11	07700390261	O-RING 39,34X2,62	1
12	0025060256	HH COLLAR SCREW M6X25 TX30	2
13	69030060044	PINION COVER CPL.	1
14	61230047144	SECURING GUIDE RC8 CPL.	1
15	0412153511	CYL.ROLLER BEAR. NJ202 ECP C3	1
16	60030010000	SWING BEARING OUTSIDE LC8 03	2
17	60030023000	DOWEL 20,1X24X12 03	1
18	49030090000	DOWEL 9,8 X 7 X 10	3
19	61230044000	STUD M6X110 08	4
20	0025060806	HH COLLAR SCREW M6X80 TX30	15
21	61230043000	CASE SCREW M8X125 AS 08	5
22	0025060906	HH COLLAR SCREW M6X90 TX30	2
23	0025060606	HH COLLAR SCREW M6X60 TX30	2
24	60038029200	REDUCING JET "30" M6X0,75	1
25	07700900151	O-RING 9x1,5 V75 SH DIN 3771	3
26	77336056095	SCREW PLUG	3
28	0018050103	INT. TORX OVAL HEAD M 5X10 8.8	2
29	57031523100	MAIN JET 100 DELLORTO	1
30	60005026000	SLS-VALVE 03	1
31	45038017000	SEAL RING 8X14X1 AI	1
32	0025080166	HH COLLAR SCREW M8X16 TX40	1
99	61230099100	GASKET KIT ENGINE CPL.	1

116933010 / C126933010

* NEW PART

X AS REQUIRED

SECONDARY AIR SYSTEM SAS

1190 RC8 R 2012

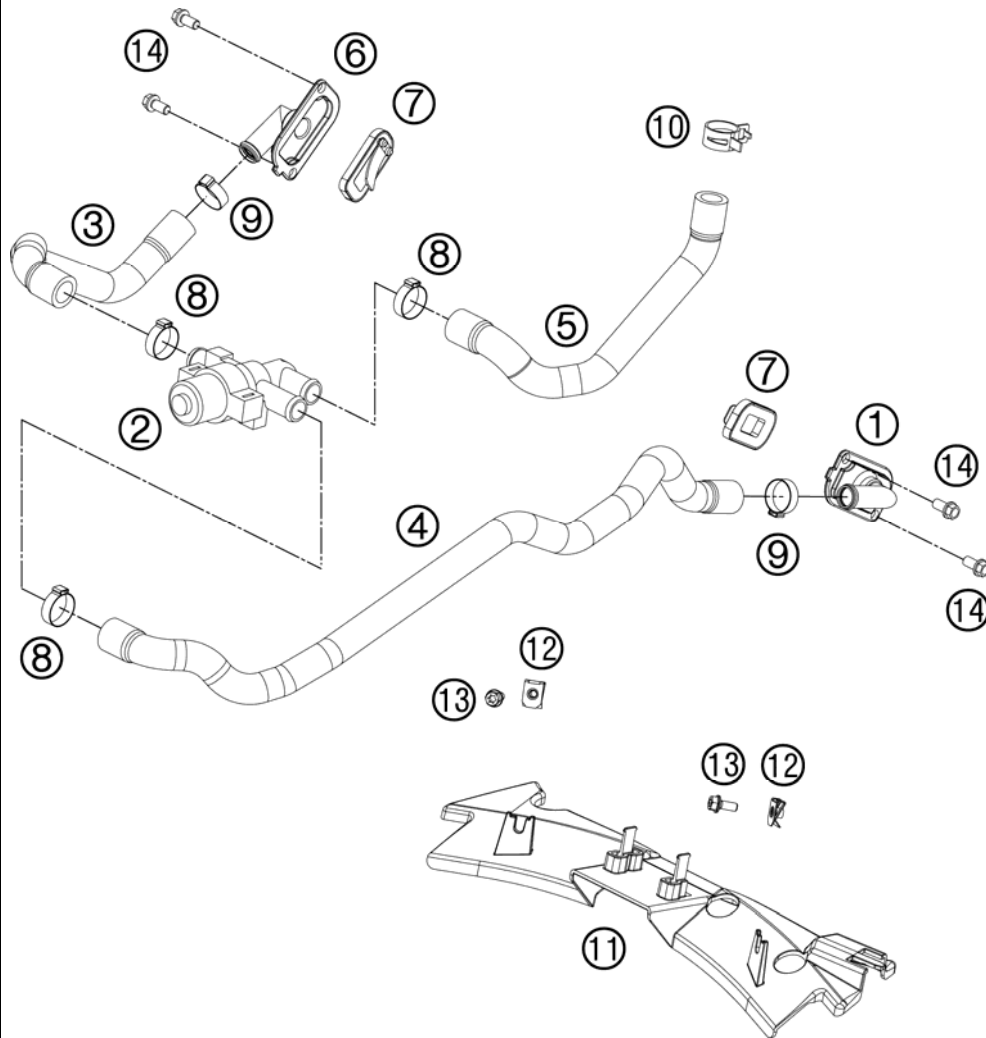


FIG	PART NUMBER	DESCRIPTION	QTY
1	61205032000	SLS-FLANGE	1
2	61005026000	CONTROL VALVE SAS 05	1
3	69005035021	SAS HOSE-CYLINDER FRONT	1
4	69005035022	SAS HOSE-CYLINDER REAR	1
5	69005035023	SAS HOSE-AIR FILTER BOX	1
6	61205022000	SAS-FLANGE	1
7	60005026000	SLS-VALVE 03	2
8	00050226706	VARIABLE ONE-EAR CLAMP 22,6MM	3
9	00050210706	VARIABLE ONE-EAR CLAMP 21,0MM	2
10	00049200121	CLAMP STD DN20	1
11	69005028100	SAS-SUPPORT RC8 08	1
12	69008021080	RANGE CHANGE METAL NUT M5	2
13	0025050126	HH COLLAR SCREW M5X12 TX30	2
14	0025060126	HH COLLAR SCREW M6X12 TX30	4

116933130 / C116933130

* NEW PART

X AS REQUIRED

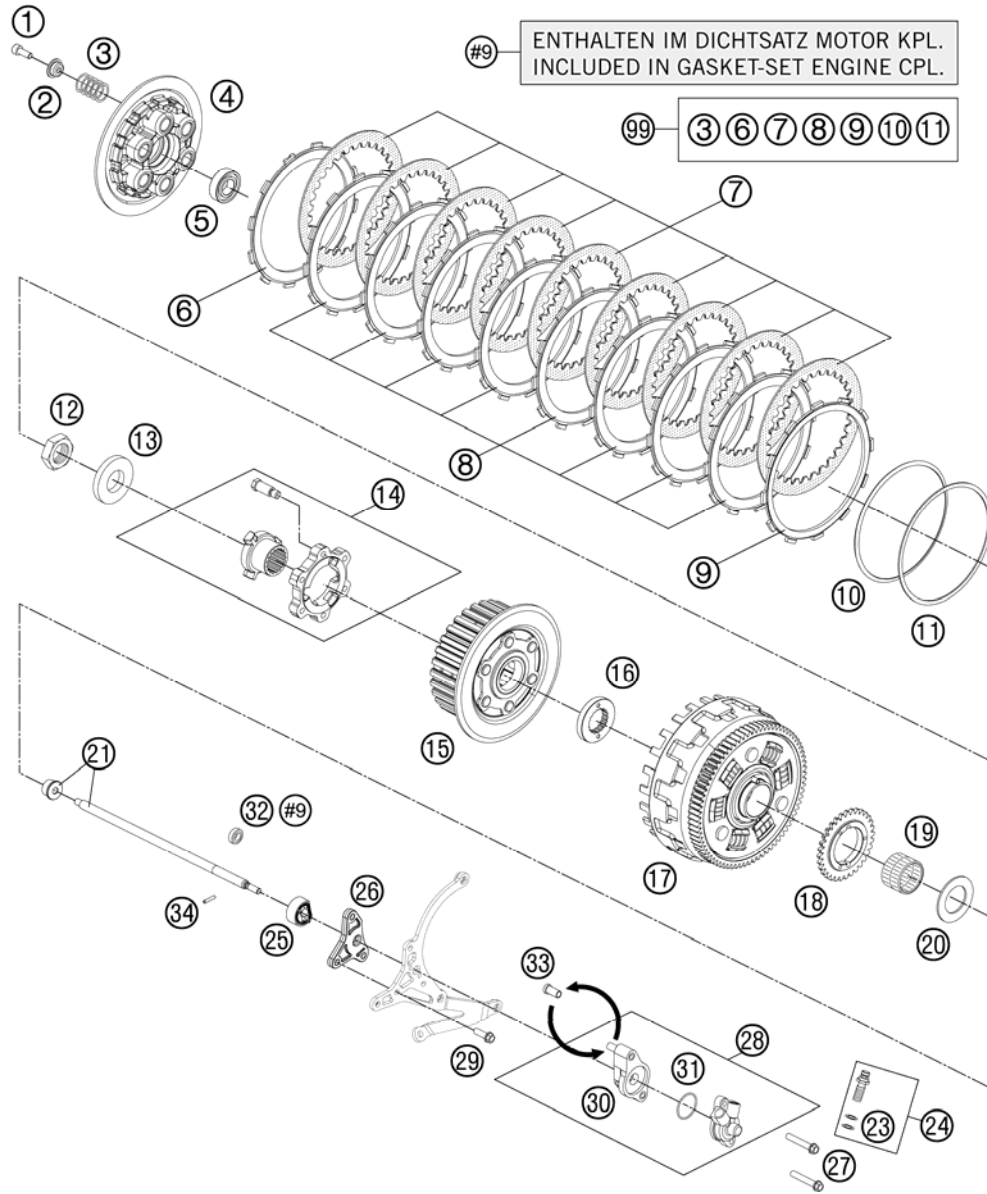


FIG	PART NUMBER	DESCRIPTION	QTY
1	0984060162	AH SCREW DIN7984-M 6X16	6
2	61232006000	SPRING RETAINER STEPPED	6
3	69132005000	CLUTCH SPRING D2,7/35MM PINK	6
4	61232003000	PRESSURE CAP	1
5	0625060032	BALL BEARING 6003 JR2 C4	1
6	61232111000	LINING DISK OUTSIDE 3MM	1
7	69132010000	INTERMEDIATE DISK	9
8	61232011000	LINING DISK 3MM	8
9	61232012000	LINING DISK INSIDE 3,8MM	1
10	61232034000	BELLEVILLE SPRING	1
11	61232035000	BEARING RING	1
12	0936220155	HEXAGON NUT DIN0936-M22X1,5 R.	1
13	0126220373	% WASHER DIN0126 22X37X3 MM	1
14	60032080000	CLUTCH BOOSTER UNIT CPL. 03	1
15	61232002000	CLUTCH TAPPET CPL.	1
16	60032021000	SECTION WASHER 03	1
17	69132001044	CLUTCH CAGE CPL.	1
18	60038001132	OIL PUMP GEAR WHEEL 32-T 07	1
19	0618303526	NEEDLE BUSH HK 30X35X26	1
20	60032020000	STOP DISK 30,2/50/2	1
21	61232054000	PUSH ROD CPL. 2-PARTS 08	1
23	0603100141	COPPER GASKET DIN7603-10X14X1	2
24	50332062000	HOLLOW SCREW CPL. M 10X1 '98	1
25	61232069000	PUSH ROD GUIDE	1
26	61232068100	DISTANCE PLATE 7MM	1
27	0025060506	HH COLLAR SCREW M6X50 TX30	2
28	60032061244	CYLINDER CPL. LC8 08	1
29	0025060256	HH COLLAR SCREW M6X25 TX30	1
30	60032061050	DISTANCE CLUTCH CONTR. CPL.	1
31	60032065000	O-RING GASKET 03	1
32	0760091862	SHAFT SEAL RING 9X18X06 B-NBR	1
33	61232061051	SLEEVE CLUTCH CONTR.	2
34	0402031780	NEEDLE ROL.DIN5402 NRB 3X17,8	1
99	69132011010	CLUTCH KIT RC8-R 09-11	x

116933210 / C116933210

* NEW PART

X AS REQUIRED

TRANSMISSION I - MAIN SHAFT

1190 RC8 R 2012

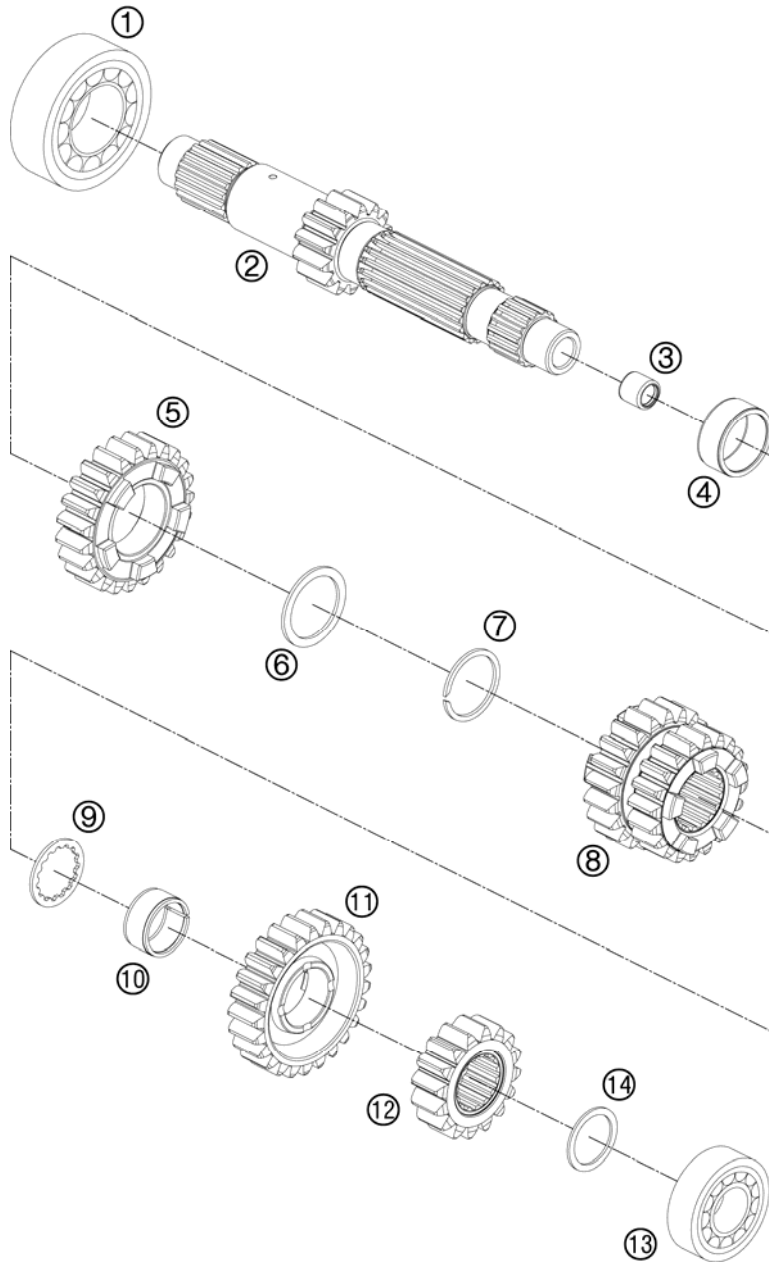


FIG	PART NUMBER	DESCRIPTION	QTY
1	0625062062	BALL BEARING 6206 C3 J1 NSK	1
2	61233001000	MAIN SHAFT 14T	1
3	0618091312	NEEDLE BUSH HK0912 9/13/12 03	1
4	0405263113	NEEDLE BEAR. K 26-31-13	1
5	61233005100	IDLER GEAR 5.G	1
6	61233042000	STOP DISK 27,9/35,75/1,5	1
7	0417280150	LOCK RING DIN5417-WS28	1
8	61233003100	SLIDING GEAR 3./4.G	1
9	61233041000	STOP DISK 22,2/30,2/1,5	1
10	0405222613	NEEDLE BEAR. K 22X26X13 TN	1
11	61233006100	IDLER GEAR 6.G	1
12	61233002000	SOLID GEAR 2.G	1
13	0625062040	BALL BEARING 6204 DU J1 C3	1
14	60033040015	STOP DISK 20,2X28X1,5	X
14	60033040016	STOP DISK 20,2/28/1,6	X
14	60033040017	STOP DISK 20,2/28/1,7	X
14	60033040018	STOP DISK 20,2/28/1,8	X
14	60033040019	STOP DISK 20,2/28/1,9	X
14	60033040020	STOP DISK 20,2/28/2,0	X
14	60033040021	STOP DISK 20,2/28/2,1	X
14	60033040022	STOP DISK 20,2/28/2,2	X

116933330 / C116933330

* NEW PART

X AS REQUIRED

TRANSMISSION II - COUNTERSHAFT

1190 RC8 R 2012

#9 ENTHALTEN IM DICHTSATZ MOTOR KPL.
INCLUDED IN GASKET-SET ENGINE CPL.

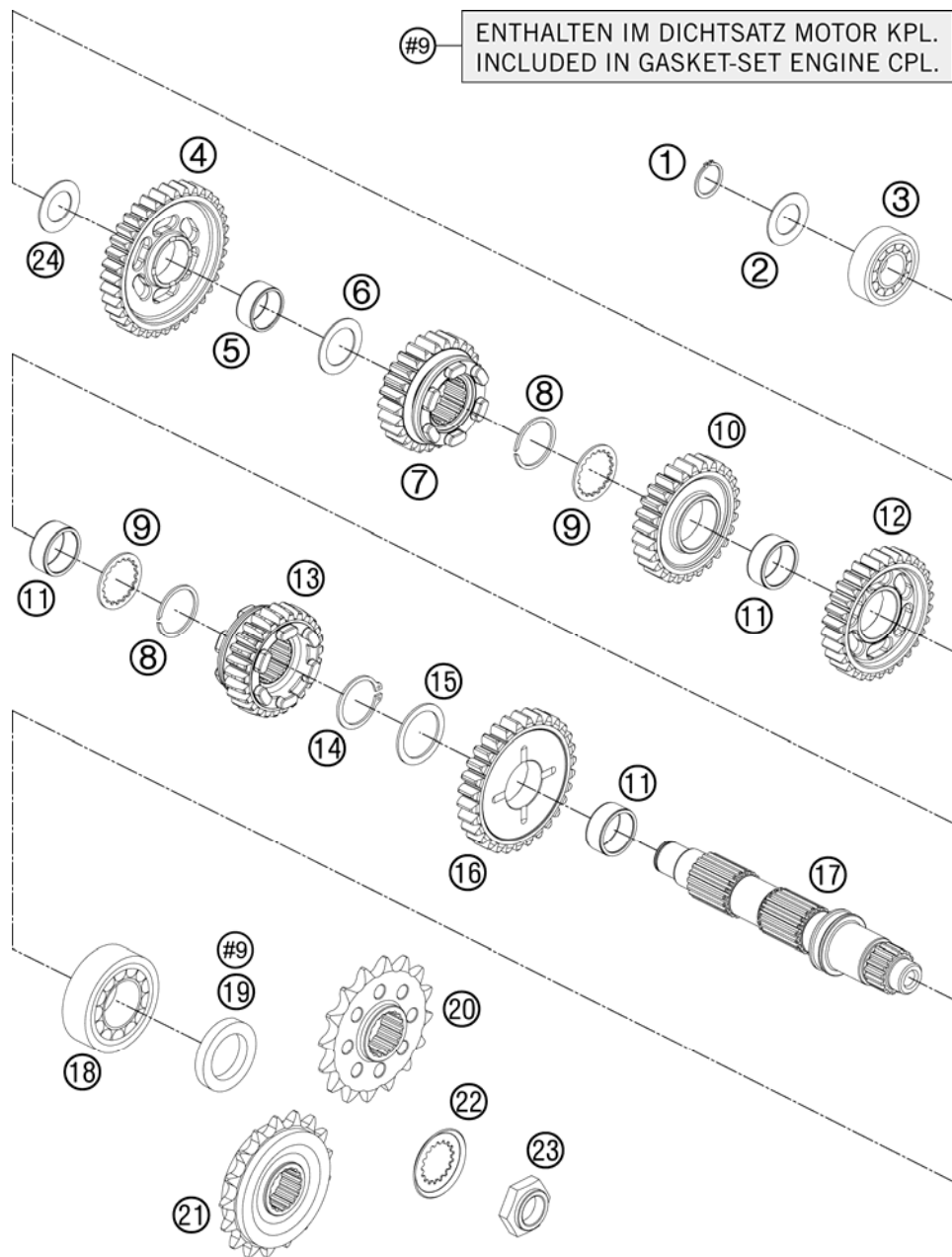


FIG	PART NUMBER	DESCRIPTION	QTY
1	0471200120	CIRCLIP DIN471 20X1,2	1
2	60033043000	STOP DISK 20,2 X 34 X 1	1
3	0625062043	BALL BEARING 6204 J1 C3	1
4	61233011100	IDLER GEAR 1.G	1
5	0405242813	NEEDLE BEAR. K 24X28X13 TN	1
6	60033044000	STOP DISK 24,3/35,75/1	1
7	61233015100	SLIDING GEAR 5.G	1
8	0417290151	LOCK RING WS30	2
9	61233045000	STOP DISK 27/36/1,5	2
10	61233014100	IDLER GEAR 4.G	1
11	0405263113	NEEDLE BEAR. K 26-31-13	3
12	61233013100	IDLER GEAR 3.G	1
13	61233016100	SLIDING GEAR 6.G	1
14	0471300151	CIRCLIP DIN0471-30X1,5 NIRO	1
15	61233046000	STOP DISK 29,9/39/1,5	1
16	61233012100	IDLER GEAR 2.G	1
17	61233010000	COUNTER SHAFT 08	1
18	50330082000	CYL.ROLLER BEAR.NJ206 ET2XCS46	1
19	0760304772	SH.SEAL RING 30X47X7 BSL VITON	1
20	60033029017	CHAIN SPROCKET 17-T 03	x
20	60033129016	CHAIN SPROCKET 16-T DAMP 03	x
21	60033129017	CHAIN SPROCKET 17-T DAMPED 03	x
22	60033034000	SECURING PLATE TOOTHED 03	1
23	60033035000	HEXAGON NUT M20X1,5 03	1
24	60033043000	STOP DISK 20,2 X 34 X 1	1

116933360 / C116933360

* NEW PART

X AS REQUIRED

SHIFTING MECHANISM

1190 RC8 R 2012

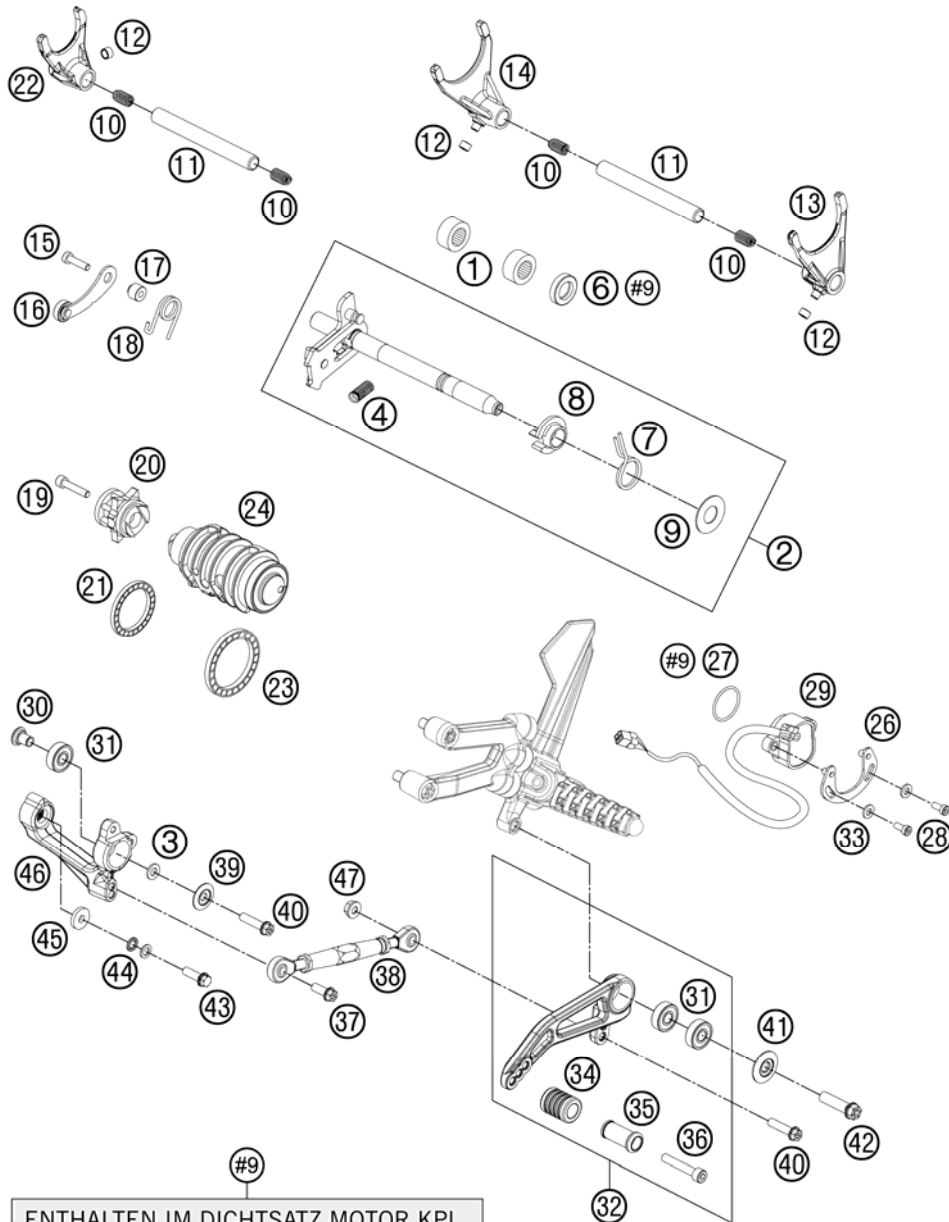


FIG	PART NUMBER	DESCRIPTION	QTY
1	54632095000	NEEDLE BEAR.HK 1412 14X20X12	2
2	61234005244	SHIFT SHAFT CPL.	1
3	0988060121	WASHER 6X12X1 HRC 40-45	1
4	56534013100	TENSIONING SPRING 0,8MM	1
6	0760142460	SHAFT SEAL RING 14X24X6 B	1
7	61234014000	RETURNSPRING 2MM	1
8	54634020000	SPRING GUIDE	1
9	54634050000	STOP DISK 14X30X1	1
10	58038023200	PRESSURE SPRING 0,9MM	4
11	59034020000	SHIFT RAIL 11,8X105MM	2
12	50334018100	SHIFTING ROLLER 6X8X5,2	3
13*	61234002100	SHIFT FORK 2-3 GEAR	1
14	61234001000	SHIFTING FORK 08	1
15	0024060206	HH COLLAR SCREW M6X20 TX30	1
16	75034024044	LOCKING LEVER CPL. 07	1
17	75034052000	SLEEVE FOR LOCKING LEVER 07	1
18	61234023000	SPRING - LOCKING LEVER	1
19	0912060303	AH SCREW DIN0912-M 6X30	1
20*	61234015444	SHIFT DRUM LOCATING CPL.	1
21	0625618050	BALL BEARING 61805 C3	1
22*	61234003100	SHIFT FORK 5-6 GEAR	1
23	0625068080	GROOVED BALL BEARING 6808 JRC3	1
24	60234012100	SHIFTING DRUM CPL.	1
26	60211023150	BRACKET F. GEAR-POS. SENSOR	1
27	07700240251	O-RING 24X2,5 VITON	1
28	0984050123S	CYLIND. SCR. DIN6912 M5X12 8.8	2
29	60211023100	GEAR-POSITION SENSOR	1
30	69034040100	COLLAR BUSHING	1
31	0625006087	GROOVED BALL BEAR. 608 2RS C3	3
32	6903403114433S	SHIFTING LEVER CPL. 09	1
33	0125050003	WASHER DIN0125-A 5,3	2
34	61034035000	RUBBER FOR SHIFT LEVER 05	1
35	69034032100	GEAR LEVER	1
36	0912060453	AH SCREW DIN0912-M 6X45	1
37	0025060166S	HH COLLAR SCREW M6X16 ISA 30	1

ENTHALTEN IM DICHTSATZ MOTOR KPL.
INCLUDED IN GASKET-SET ENGINE CPL.

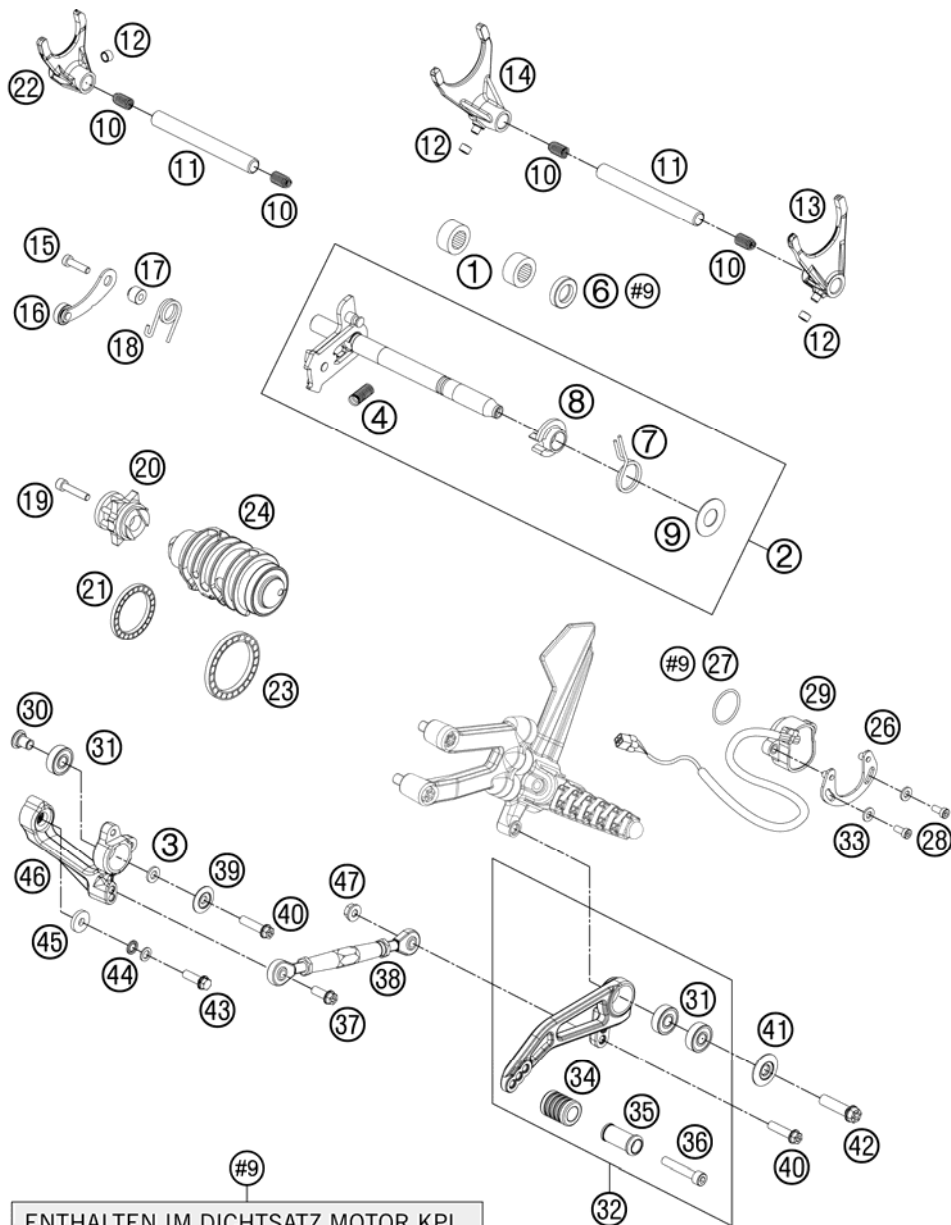
126933410 / C126933410

* NEW PART

X AS REQUIRED

SHIFTING MECHANISM

1190 RC8 R 2012



ENTHALTEN IM DICHTSATZ MOTOR KPL.
INCLUDED IN GASKET-SET ENGINE CPL.

FIG	PART NUMBER	DESCRIPTION	QTY
38	6930303603333	SHIFT ROD CPL. BLACK	1
39	69034041000	SPECIAL WASHER 6,4X21,4X2,6	1
40	0025060256	HH COLLAR SCREW M6X25 TX30	2
41	6900303801001	SPECIAL WASHER D=26X3 ALU ELO.	1
42	0025080306S	HH COLLAR SCREW M8X30 TX40	1
43	59009062019	SPECIAL SCREW M6X19 WS=8 10.9	1
44	50233041000	PAIR OF WASHERS M 6 NORDLOCK	1
45	50232050001	STEEL WASHER 6,4X17X3	1
46	6903403000033S	RELAY LEVER SHIFT. SHAFT BLACK	1
47	56509064100	SELF LOCKING NUT M6 10.9	1

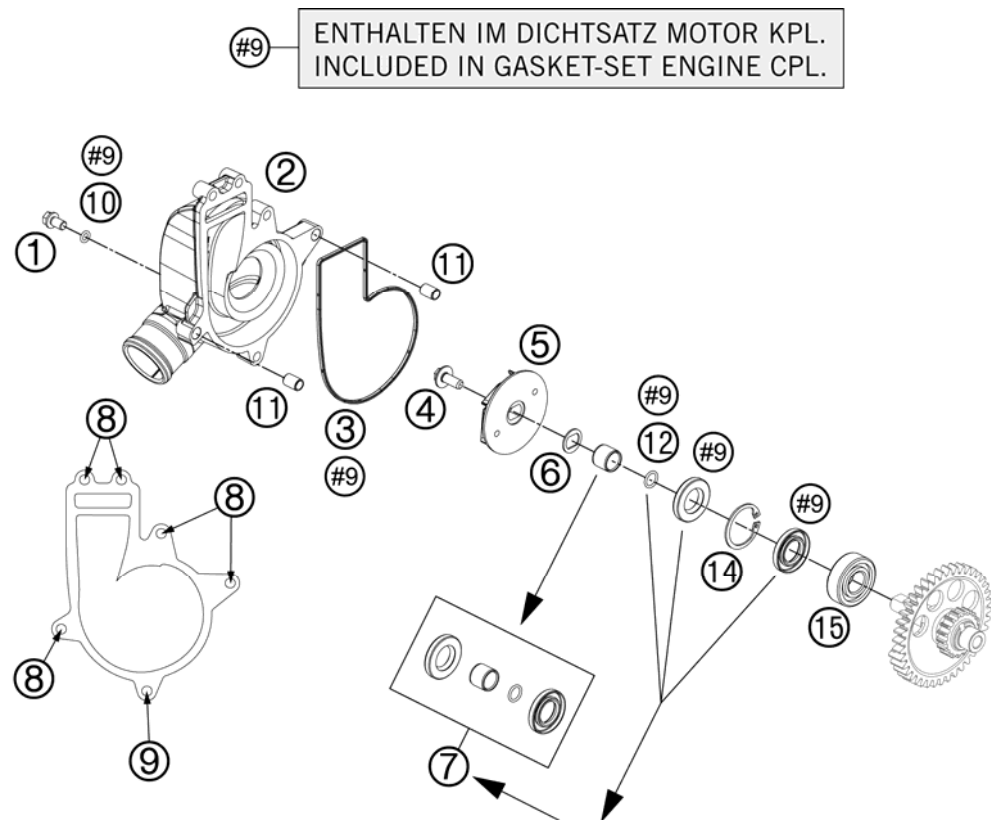
126933410 / C126933410

* NEW PART

X AS REQUIRED

WATER PUMP

1190 RC8 R 2012



#9 ENTHALTEN IM DICHTSATZ MOTOR KPL.
INCLUDED IN GASKET-SET ENGINE CPL.

ACHTUNG !!!
Mit den Wellendichtringen auch die Verschleissbuchse + O-Ring wechseln.

CAUTION !!!
With the shaft seal rings also change the wear bushing + O-ring.

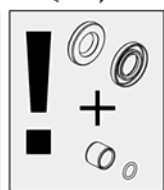


FIG	PART NUMBER	DESCRIPTION	QTY
1	0025060106	HH COLLAR SCREW M6X10 TX30	1
2	6923505200041	WATER PUMP COVER	1
3	61235061000	MOLDED RING WATER PUMP COV. 08	1
4	0024060136	HH COLLAR SCREW M6X13 TX30	1
5	61235055000	WATER PUMP ROTOR 08	1
6	60035055150	FORM WASHER 16X1 NIRO 03	1
7	61235065144	WEAR BUSHING WITH SEAL RING	1
8	0025060456	HH COLLAR SCREW M6X45 TX30	5
9	0025060256	HH COLLAR SCREW M6X25 TX30	1
10	0770050012	O-RING 5,0X1,2 NBR 70	1
11	59030023000	DOWEL 6X8X11,5	2
12	07700900151	O-RING 9x1,5 V75 SH DIN 3771	1
14	04720300121	CIRCLIP DIN0472-30X1,2 NIRO	1
15	0412153511	CYL.ROLLER BEAR. NJ202 ECP C3	1

116933510 / C116933510

* NEW PART

X AS REQUIRED

COOLING SYSTEM

1190 RC8 R 2012

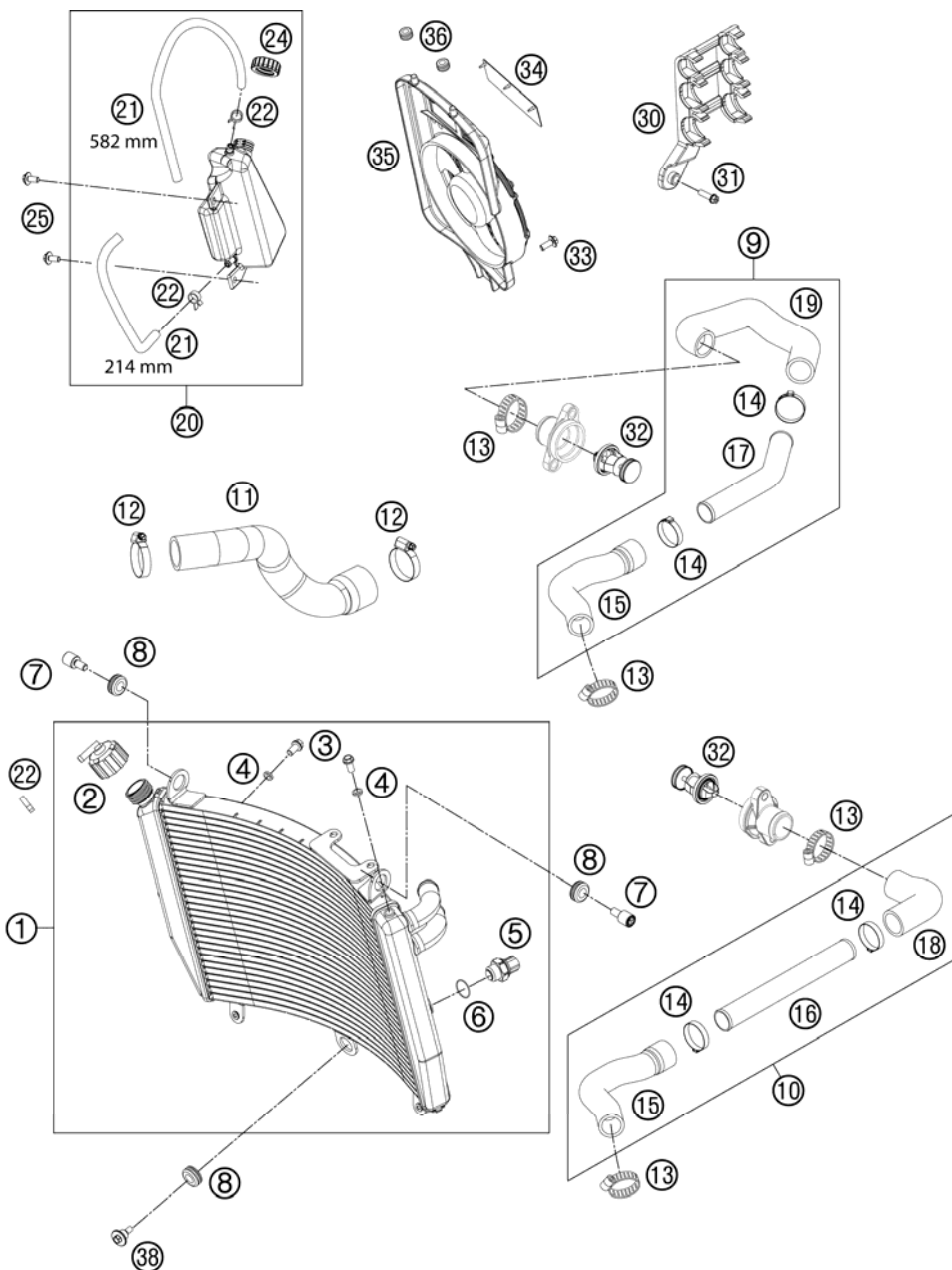


FIG	PART NUMBER	DESCRIPTION	QTY	
1	69035010000	COOLER "VW1585" CPL.	08	1
2	62535009000	RADIATOR CAP 1,4 BAR		1
3	0025060126	HH COLLAR SCREW M6X12 TX30		2
4	60035048000	ALU-GASKET 6X10X1.5		2
5	60035045000	THERMOSWITCH LC8 102DG '03		1
6	0770017015	O-RING 17X1,5 NB75		1
7	69035001000	STUD BOLT M6 11X11 ISA45		2
8	41001052000	RUBBER SLEEVE D=12MM		3
9	69035091000	RADIATOR HOSE CPL. CYL.-FRONT		1
10	69035092000	RADIATOR HOSE CPL. CYL.-REAR		1
11	69135023000	PREFORMED HOSE COOLER/WAPU		1
12	54305058000	HOSE CLAMP 30-45 SGT		2
13	76235028000	HOSE CLAMP GEMI 20-32 MM		4
14	00050331706	VARIABLE ONE-EAR CLAMP 33,1MM		4
15	69035024000	PREFORMED HOSE COOLER INLET 08		2
16	69035028000	WATER PIPE CYL. REAR 08		1
17	69035027000	WATER PIPE CYL. FRONT 08		1
18	69035026000	PREFORMED HOSE CYL. REAR 08		1
19	69035025000	PREFORMED HOSE CYL. FRONT 08		1
20	69035065000	EXPANSION TANK CPL.		1
21	60035067001	HOSE 6X10 EPDM 03		x
22	58007117000	YDNAC-CLAMP 10107 10MM		3
24	60035066000	PLUG F. EXPANSION TANK		1
25	0024060136	HH COLLAR SCREW M6X13 TX30		2
30	69035030000	HOSE CLAMP 19/25 CPL. 08		1
31	0024060206	HH COLLAR SCREW M6X20 TX30		1
32	61235017000	THERMOSTAT 70 DEGREE		2
33	0024060156	HH COLLAR SCREW M6X15 TX30		1
34	62635044050	FAN CLACK RUBBER 08		1
35	69035044000	FAN COWL WITH FAN 08		1
36	31008060000	RUBBER SLEEVE D=8MM OPEN		2
38	69008021060	SPECIAL SCREW M5X17		1

116933530 / C116933530

* NEW PART

X AS REQUIRED

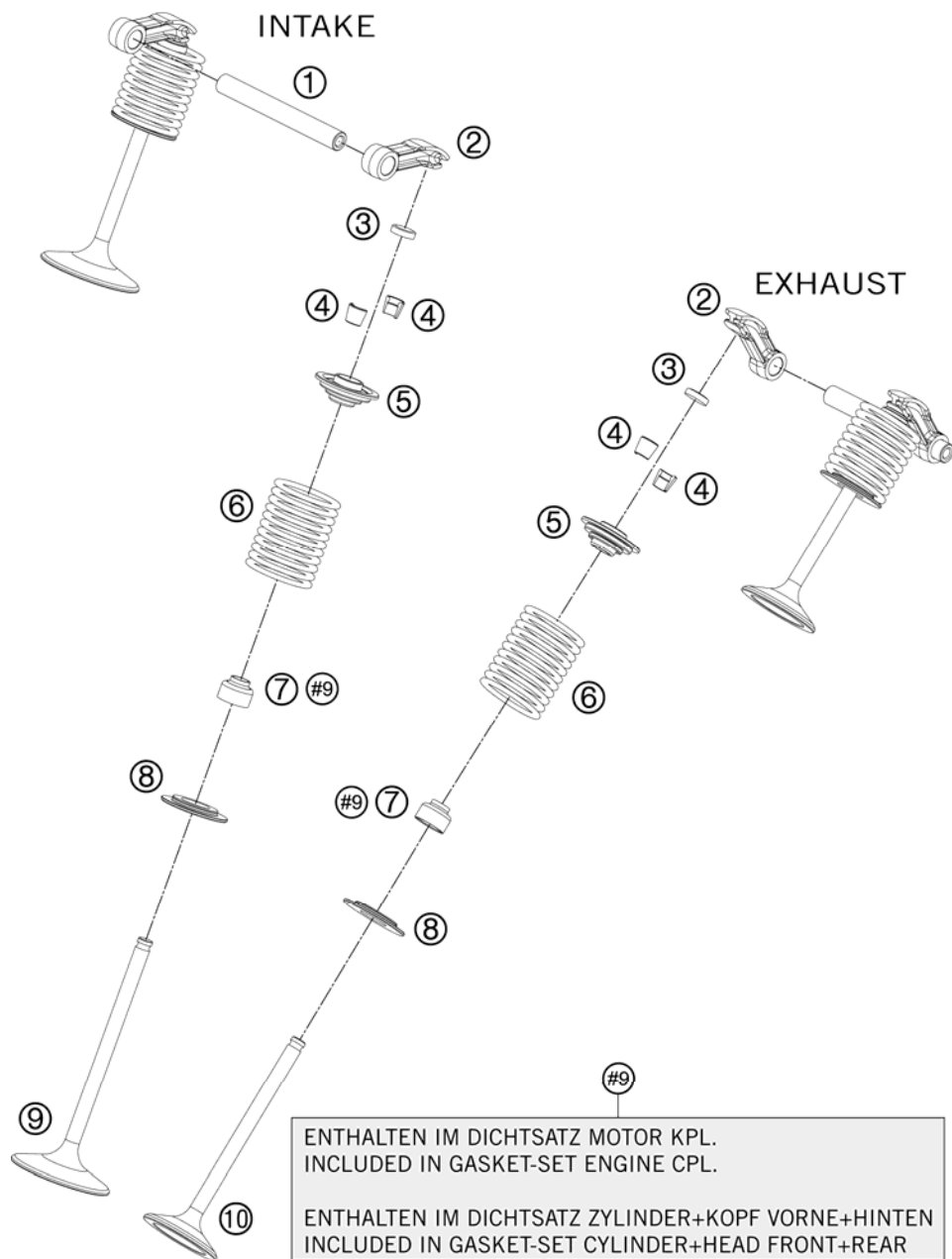
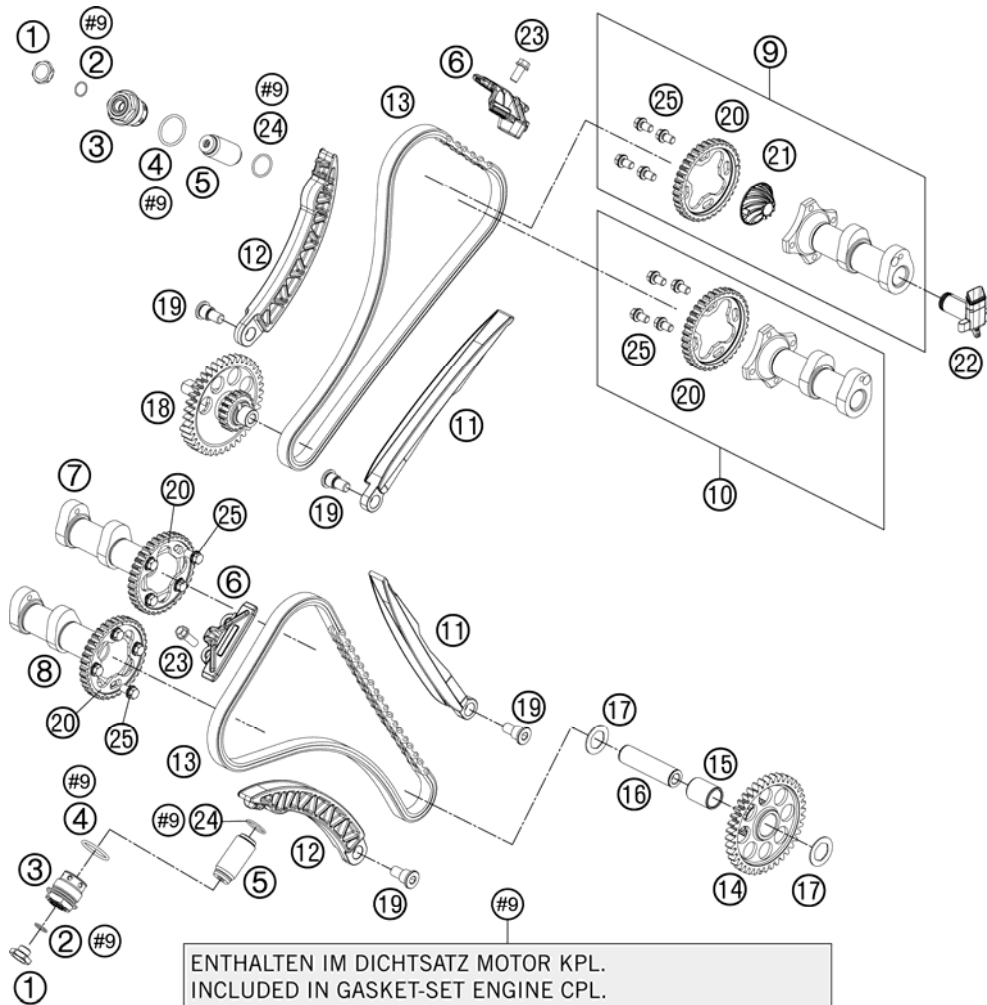


FIG	PART NUMBER	DESCRIPTION	QTY
1	61236056000	VALVE LEVER SHAFT	08
2	61236060000	VALVE LEVER	08
3	60036035200	SHIM D=10/2,00	03
3	60036035205	SHIM D=10/2,05	03
3	60036035210	SHIM D=10/2,10	03
3	60036035215	SHIM D=10/2,15	03
3	60036035220	SHIM D=10/2,20	03
3	60036035225	SHIM D=10/2,25	03
3	60036035230	SHIM D=10/2,30	03
3	60036035235	SHIM D=10/2,35	03
3	60036035240	SHIM D=10/2,40	03
3	60036035245	SHIM D=10/2,45	03
3	60036035250	SHIM D=10/2,50	03
3	60036035255	SHIM D=10/2,55	03
3	60036035260	SHIM D=10/2,60	03
3	60036035265	SHIM D=10/2,65	03
3	60036035270	SHIM D=10/2,70	03
3	60036035275	SHIM D=10/2,75	03
3	60036035280	SHIM D=10/2,80	03
3	60036035285	SHIM D=10/2,85	03
3	60036035290	SHIM D=10/2,90	03
3	60036035295	SHIM D=10/2,95	03
3	60036035300	SHIM D=10/3,00	03
3	60036035305	SHIM D=10/3,05	03
3	60036035310	SHIM D=10/3,10	03
3	60036035315	SHIM D=10/3,15	03
3	60036035320	SHIM D=10/3,20	03
4	78036033000	VALVE COLLET LK 6H	16
5	61236032200	VALVE SPRING PLATE	8
6	61236028100	VALVE SPRING NHK	8
7	59036027000	VALVE-STEM SEALING RACING	8
8	61236036100	VALVE SPRING HOLDER	8
9	61236030100	INTAKE VALVE	4
10	61236031100	EXHAUST VALVE D=34/6 (ST)	4

116933610 / C116933610

* NEW PART

X AS REQUIRED



ENTHALTEN IM DICHTSATZ MOTOR KPL.
INCLUDED IN GASKET-SET ENGINE CPL.

ENTHALTEN IM DICHTSATZ ZYLINDER+KOPF VORNE+HINTEN
INCLUDED IN GASKET-SET CYLINDER+HEAD FRONT+REAR

FIG	PART NUMBER	DESCRIPTION	QTY
1	77336008010	HOLDING BOLT	2
2	0770010010	O-RING 10,00X1,00 NBR 70 SH	2
3	61236008200	SCR. PLUG TIM. CHAIN TENS. KPL	2
4	0770220020	O-RING 22,00X2,00 B70	2
5	77036003000	CHAIN ADJUSTER HYD. 05	2
6	61236005000	GUIDE RAIL TOP 08	2
7	69336009144	CAMSHAFT INTAKE CPL.	1
8	69336010144	CAMSHAFT EXHAUST CPL.	1
9	69336109144	CAMSHAFT INTAKE CPL.	1
10	69336110144	CAMSHAFT EXH. R/S CPL.	1
11	61236001000	GUIDE RAIL 08	2
12	61236002000	TENSIONER RAIL 08	2
13	61236013000	TIMING CHAIN 08	2
14	61230057000	IDLER GEAR L/S	1
15	0405151924	NEEDLE BEARING K 15X19X24ZW	1
16	61230057050	BEARING BOLT 15X57,5 08	1
17	61230057060	STOP DISK 15,2X25X1	2
18	61230157000	IDLER GEAR R/S	1
19	61236002050	COLLAR SCREW 08	4
20	69136011000	CAMSHAFT WHEEL 36T	4
21	61236080100	CENTRIFUGE CONE	1
22	61236081000	ANGLE PIECE F. BREATHER SYSTEM	1
23	0025060206	HH COLLAR SCREW M6X20 TX30	4
24	0770180020	O-RING 18,00X2,00 NBR 70	2
25	59009062010	SPECIAL SCREW M6X10 SW=8 10.9	16

116933620 / C116933620

* NEW PART

X AS REQUIRED

CYLINDER HEAD REAR

1190 RC8 R 2012

DICHTSATZ MOTOR KPL.
ENTHÄLT DICHTSATZ ZYLINDER+KOPF VORNE+HINTEN
GASKET-SET ENGINE CPL.
INCL. GASKET-SET CYLINDER+HEAD FRONT+REAR

Dichtungssatz Zylinder
Gasket-Set Cylinder
Teile mit
Parts with #8

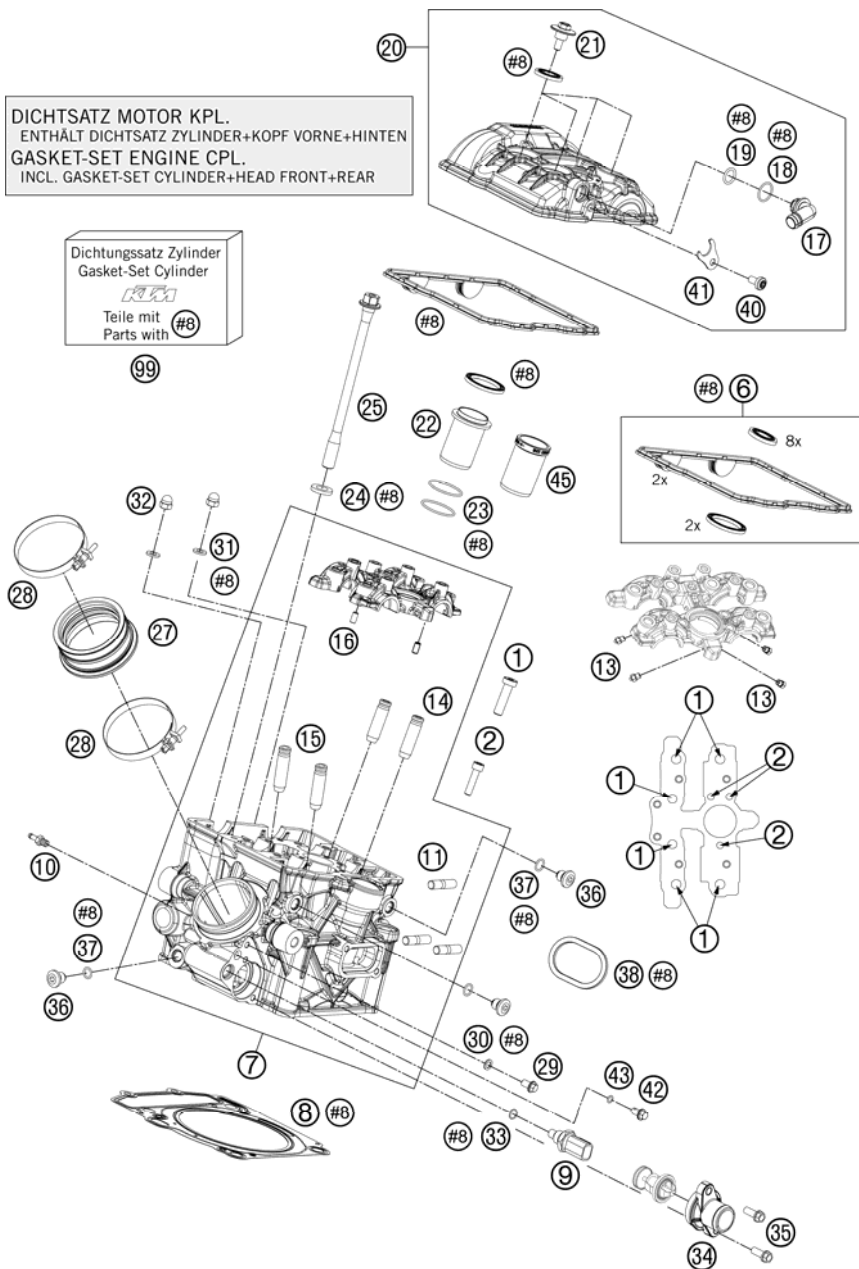


FIG	PART NUMBER	DESCRIPTION	QTY
1	0984080305	AH SCREW DIN7984-M 8X30 10.9	6
2	0912060255	AH SCREW DIN0912-M 6X25 10.9	3
6	61236099100	VALVE COVER GASKET SET	1
7	6913612010024	CYLINDER HEAD REAR	1
8	69130036000	CYLINDER HEAD GASKET MLS	1
9	60011252000	TEMPERAT.-SENSOR WATER LC8 02	1
10	61036023100	VACUUM CONECTION 2006	1
11	0835080165	STUD M 8X16 10.9	3
13	60030063050	OIL JET 50 05	4
14	61236026001	VALVE GUIDE EXHAUST 08	2
15	61236025001	VALVE GIUDE INTAKE 6MM	2
16	0402050980	NEEDLE ROLLER DIN5402 5X9,8	2
17	61236082100	CONNECTING ANGLE	1
18	0770150151	O-RING 15,00X1,50 VITON	1
19	0770120020	O-RING 12,00X2,00 NBR 70	1
20	6123615214433	VALVE COVER REAR	1
21	60036052020	COLLAR SCREW M 6 WS=10 03	4
22	61236075000	INSERT SPARK-PLUG SHAFT 08	1
23	0770298178	O-RING 29,87X1,78 VITON	2
24	61236079050	WASHER 11,1X20X3 08	4
25	61236079000	CYLINDER HEAD SCREW 08	4
27	61236044000	RUBBERSLEEVE INTAKE FLANGE 08	1
28	61236048000	HOSE CLAMP GEMI 66 / 1	2
29	0025060106	HH COLLAR SCREW M6X10 TX30	1
30	0603061001	CU-SEAL RING DIN7603-6X10X1	1
31	0125060003	WASHER DIN0125-A 6,4	2
32	61230045000	CAP NUT M6 STAINLESS STEEL	2
33	0770100020	O-RING 10,00X2,00 SILCONE	1
34	61235019100	WATER CONNECTION CPL.	1
35	0025060206	HH COLLAR SCREW M6X20 TX30	2
36	77336056095	SCREW PLUG	3
37	07700900151	O-RING 9x1,5 V75 SH DIN 3771	3
38	69005005100	EXHAUST PIPE FLANGE GASKET	1
40	0080060123	SCREW M6X12 ISA30	1
41	61236082150	CONNECTING ANGLE RETAIN. PLATE	1

116933640 / C126933640

* NEW PART

X AS REQUIRED

CYLINDER HEAD REAR

1190 RC8 R 2012

DICHTSATZ MOTOR KPL.
ENTHÄLT DICHTSATZ ZYLINDER+KOPF VORNE+HINTEN
GASKET-SET ENGINE CPL.
INCL. GASKET-SET CYLINDER+HEAD FRONT+REAR

Dichtungssatz Zylinder
Gasket-Set Cylinder
Teile mit
Parts with #8

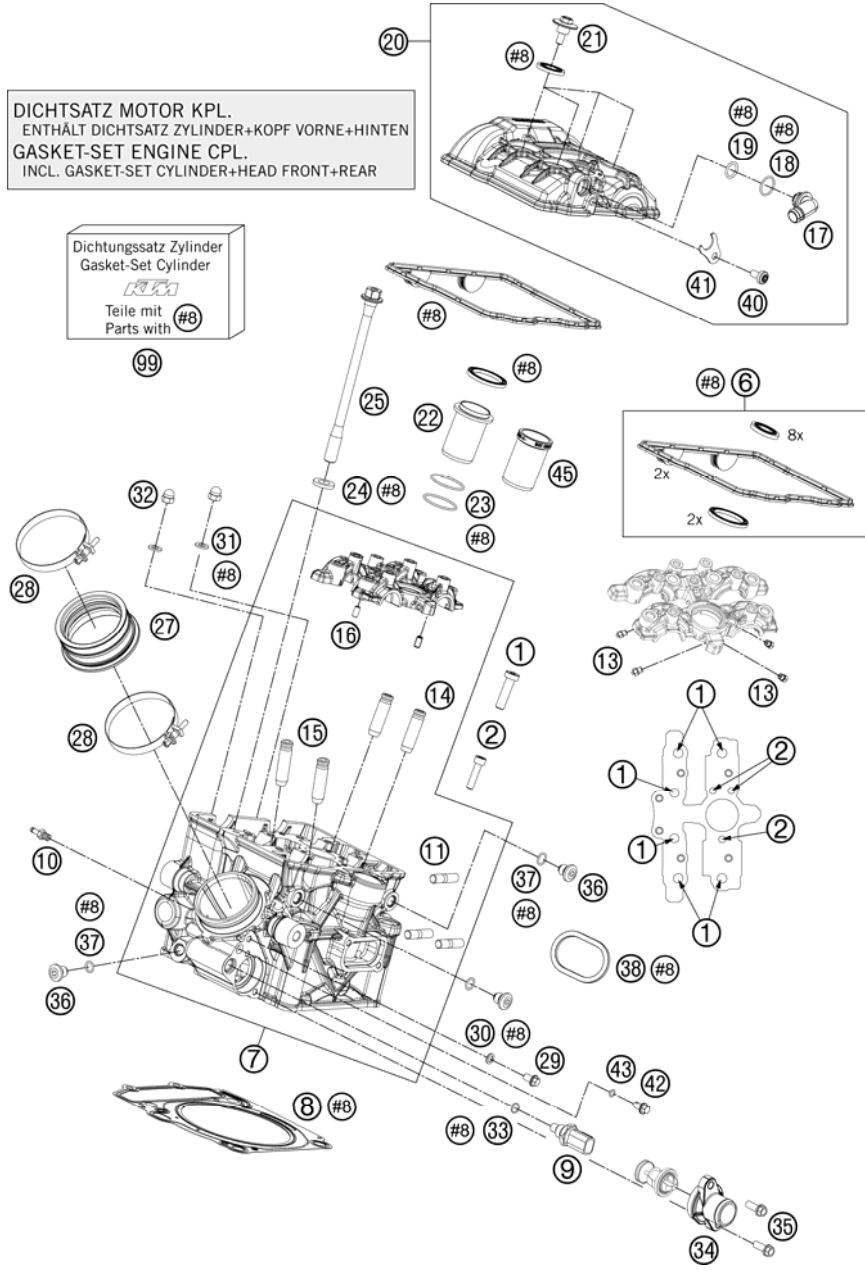


FIG	PART NUMBER	DESCRIPTION	QTY
42	59036006090	VENT SCREW M6X10 CPL.	1
43	0770050012	O-RING 5,0X1,2 NBR 70	1
45	60236075000	INSERT SPARK-PLUG SHAFT	1
99	69130097000	GASKET KIT CYLINDER+HEAD F+R	1

116933640 / C126933640

* NEW PART

X AS REQUIRED

CYLINDER HEAD FRONT

1190 RC8 R 2012

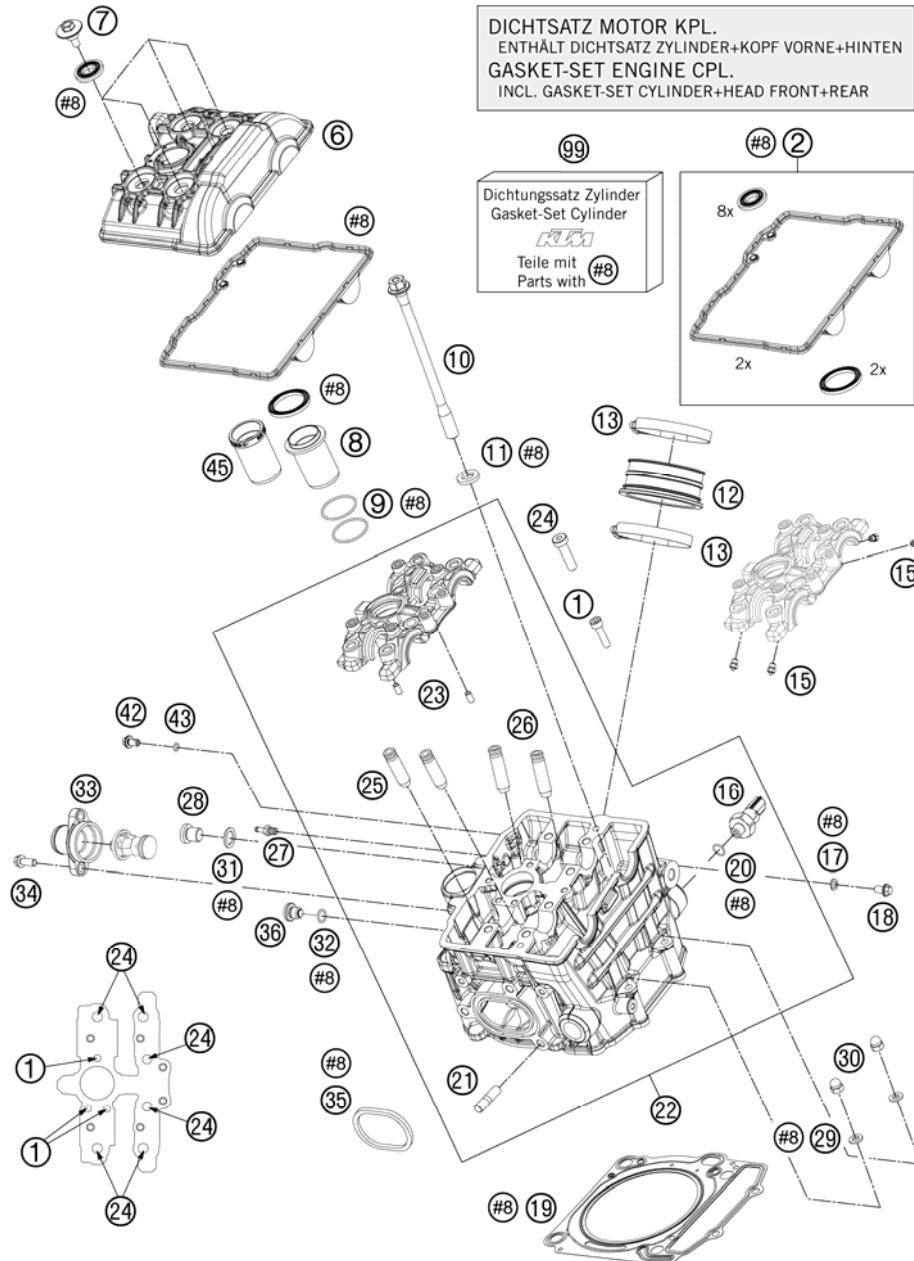


FIG	PART NUMBER	DESCRIPTION	QTY
1	0912060255	AH SCREW DIN0912-M 6X25 10.9	3
2	61236099100	VALVE COVER GASKET SET	1
6*	6123605210033	VALVE COVER FRONT 09	1
7	60036052020	COLLAR SCREW M 6 WS=10 03	4
8	61236075000	INSERT SPARK-PLUG SHAFT 08	1
9	0770298178	O-RING 29,87X1,78 VITON	2
10	61236079000	CYLINDER HEAD SCREW 08	4
11	61236079050	WASHER 11,1X20X3 08	4
12	61236044000	RUBBERSLEEVE INTAKE FLANGE 08	1
13	61236048000	HOSE CLAMP GEMI 66 / 1	2
15	60030063050	OIL JET 50 05	4
16	61238091000	OIL PRESSURE SWITCH "BITRON"	1
17	0603061001	CU-SEAL RING DIN7603-6X10X1	1
18	0025060106	HH COLLAR SCREW M6X10 TX30	1
19	69130036000	CYLINDER HEAD GASKET MLS	1
20	0770080015	O-RING 8,00X1,5 NBR 70	1
21	0835080165	STUD M 8X16 10.9	3
22	6913602010024	CYLINDER HEAD FRONT	1
23	0402050980	NEEDLE ROLLER DIN5402 5X9,8	2
24	0984080305	AH SCREW DIN7984-M 8X30 10.9	6
25	61236026001	VALVE GUIDE EXHAUST 08	2
26	61236025001	VALVE GIUDE INTAKE 6MM	2
27	61036023100	VACUUM CONECTION 2006	1
28	0908120153	PLUG DIN0908-M12X1,5	1
29	0125060003	WASHER DIN0125-A 6,4	2
30	61230045000	CAP NUT M6 STAINLESS STEEL	2
31	58038022000	CU-SEAL RING DIN7603-12X18X1,5	1
32	07700900151	O-RING 9x1,5 V75 SH DIN 3771	2
33	61235019100	WATER CONNECTION CPL.	1
34	0025060206	HH COLLAR SCREW M6X20 TX30	2
35	69005005100	EXHAUST PIPE FLANGE GASKET	1
36	77336056095	SCREW PLUG	2
42	59036006090	VENT SCREW M6X10 CPL.	1
43	0770050012	O-RING 5,0X1,2 NBR 70	1
45	60236075000	INSERT SPARK-PLUG SHAFT	1

116933650 / C126933650

* NEW PART

X AS REQUIRED

CYLINDER HEAD FRONT

1190 RC8 R 2012

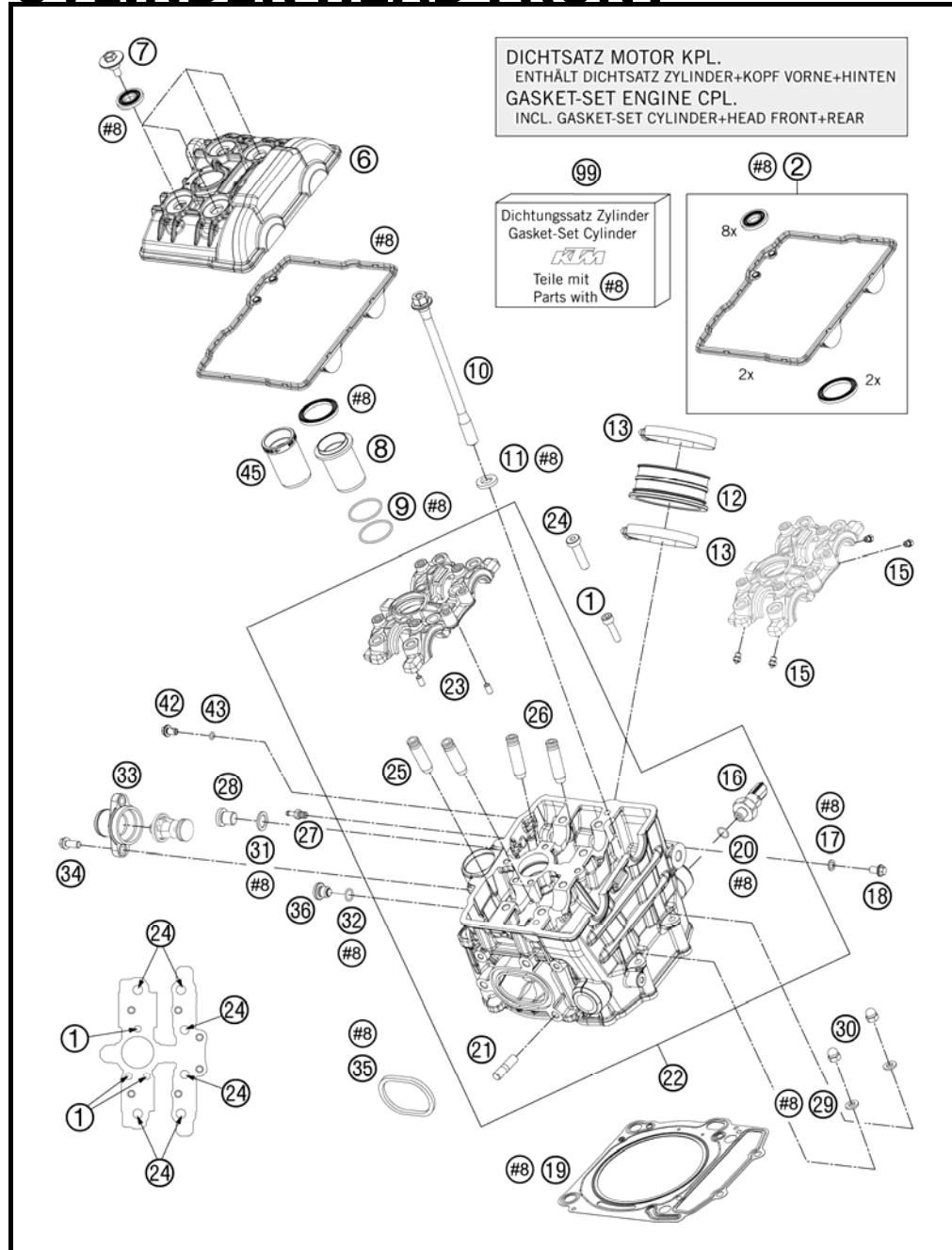


FIG	PART NUMBER	DESCRIPTION	QTY
99	69130097000	GASKET KIT CYLINDER+HEAD F+R	1

116933650 / C126933650

* NEW PART

X AS REQUIRED

LUBRICATING SYSTEM

1190 RC8 R 2012

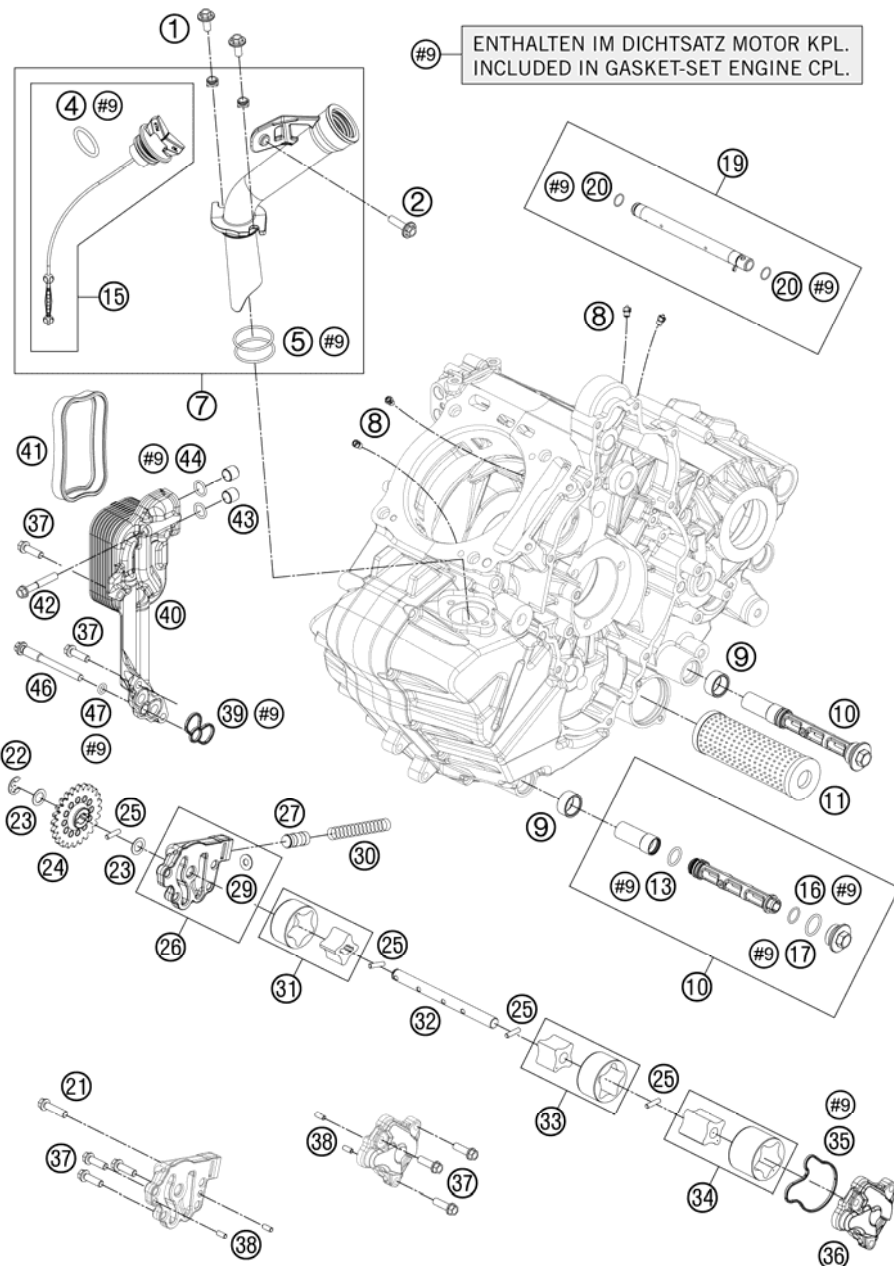


FIG	PART NUMBER	DESCRIPTION	QTY
1	0024060156	HH COLLAR SCREW M6X15 TX30	2
2	0024060206	HH COLLAR SCREW M6X20 TX30	1
4	0770250030	O-RING 25,00X3,00 NBR 70	1
5	0770300020	O-RING 30X2,0 FPM	2
7	61238085200	OILFILLTUBE CPL.	1
8	60030063070	OIL JET 70 M5	4
9	61238017000	OIL SCREEN BUSHING 08	2
10	61238021100	OIL SCREEN CPL.	2
11*	83538005000	OIL FILTER	1
13	0770140200	O-RING 14,00X2,00	2
15	61238085244	OIL DIPSTICK CPL. W. O-RING	1
16	0770125015	O-RING 12,5X1,5 NBR	2
17	0770170200	O-RING 17,00X2,00	2
19	61230065000	OIL INJECTION TUBE CPL. 08	1
20	0770010010	O-RING 10,00X1,00 NBR 70 SH	2
21	0025060256	HH COLLAR SCREW M6X25 TX30	1
22	0799080000	TAB WASHER DIN6799 RS8	1
23	60038007010	WASHER 10X16X0,5 03	2
24	60038001124	OIL PUMP GEAR 24-T	1
25	0402041580	NEEDLE ROLLER NRB 4X15,8 G2	4
26	61238009144	PRESSURE PUMP COVER CPL.	1
27	60038028000	CONTROL PISTON LC8 03	1
29	50337073000	SHIM	1
30	61238026000	CONTROL SPRING	1
31*	60038009100	OIL PUMP ROTOR COMPL. 19MM	1
32	61238002000	OIL PUMP SHAFT 08	1
33	61238011000	ROTOR-SET 22MM 08	1
34	61238010000	ROTOR-SET 30MM 08	1
35	61238008150	MOLDED RING SUCTION PUMP COVER	1
36	61238008200	SUCTION PUMP COVER	1
37	0025060206	HH COLLAR SCREW M6X20 TX30	9
38	0402050980	NEEDLE ROLLER DIN5402 5X9,8	4
39	61238051000	MOLDED RING	1
40	6923805000033	OIL COOLER CPL.	1
41	69038050010	RUBBER COVER OIL COOLER	1

116933810 / C126933810

* NEW PART

X AS REQUIRED

LUBRICATING SYSTEM

1190 RC8 R 2012

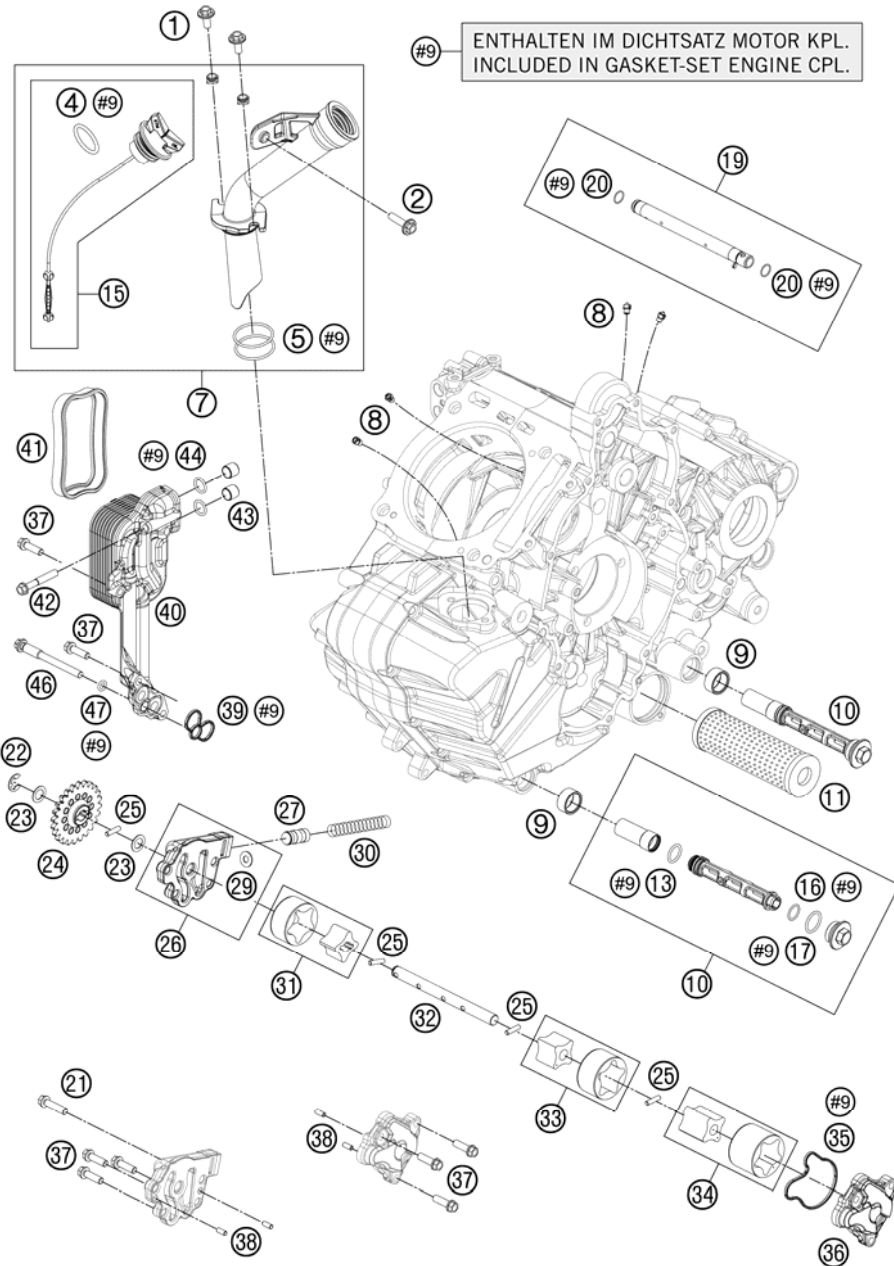


FIG	PART NUMBER	DESCRIPTION	QTY
42	0025060506	HH COLLAR SCREW M6X50 TX30	1
43	61238052000	BUSHING	2
44	0770012021	O-RING 12X2 VITON GREEN	2
46	61238055000	REGULATING SCREW	1
47	0770060020	O-RING 6,00X2,00 NBR 70	1

116933810 / C126933810

* NEW PART

X AS REQUIRED

#9 ENTHALTEN IM DICHTSATZ MOTOR KPL.
INCLUDED IN GASKET-SET ENGINE CPL.

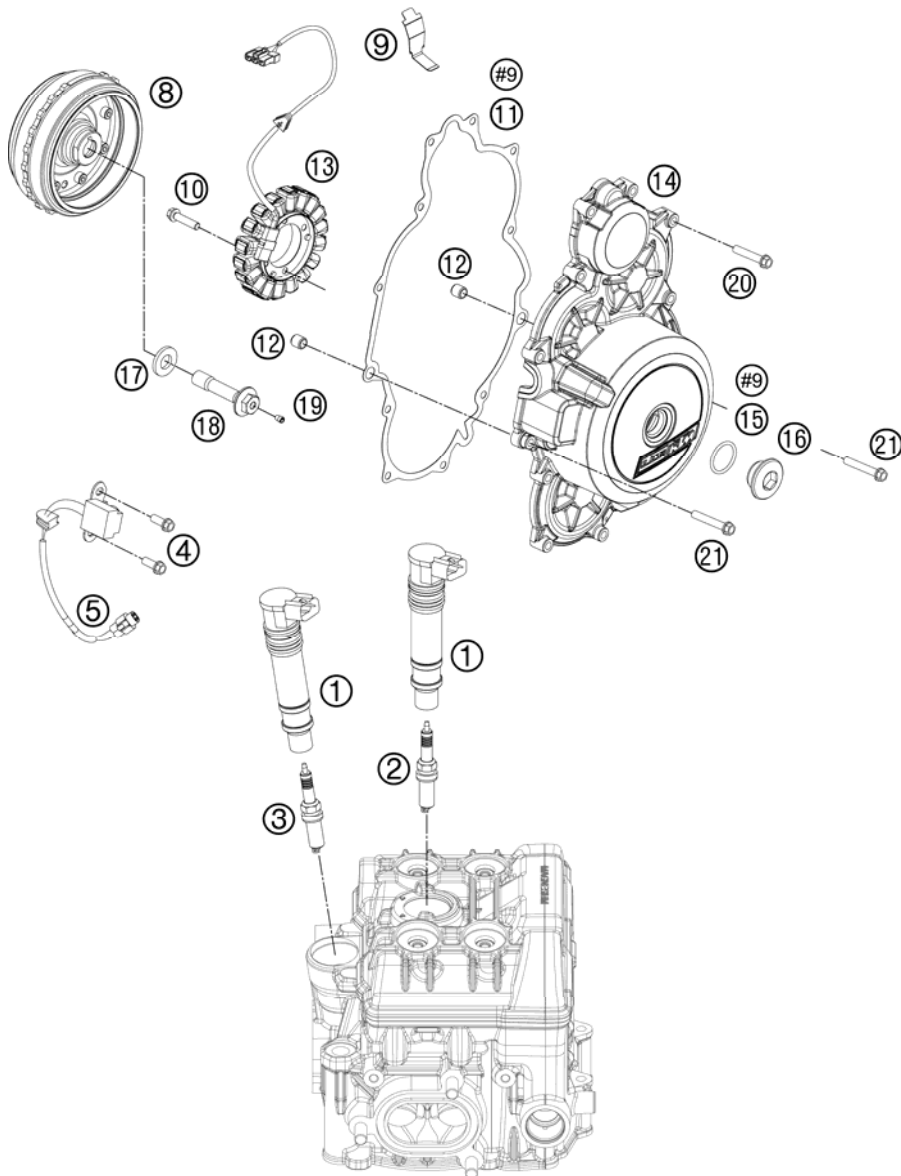


FIG	PART NUMBER	DESCRIPTION	QTY
1	60039006000	STICK COIL 03	4
2	61239093200	SPARK PLUG M12X1,25 NGK R 08	2
3	69139093000	SPARK PLUG NGK "LMAR7A-9"	2
4	0025050166	HH COLLAR SCREW M5X16 TX30	2
5	59039034000	PULSER COIL KOKUSAN 4K3-A/B	1
8	60239105000	ROTOR	1
9	60039040020	CABLE SUPPORT GENERATOR 03	1
10	0025060256	HH COLLAR SCREW M6X25 TX30	3
11	61230040000	IGNITION COVER GASKET 08	1
12	49030090000	DOWEL 9,8 X 7 X 10	2
13	60239104000	STATOR	1
14	6023010204441	IGNITION COVER WITH BEARING	1
15	07700240251	O-RING 24X2,5 VITON	1
16	6003009400030	SCREW PLUG M24X1,5 PA 6.6	1
17	61239003050	WASHER 12,5/25/3	1
18	61239003000	SCREW M12X1,5	1
19	80030058060	OIL JET "60" M4	1
20	0025060306	HH COLLAR SCREW M6X30 TX30	10
21	0025060356	HH COLLAR SCREW M6X35 TX30	2

116933910 / C116933910

* NEW PART

X AS REQUIRED

ELECTRIC STARTER

1190 RC8 R 2012

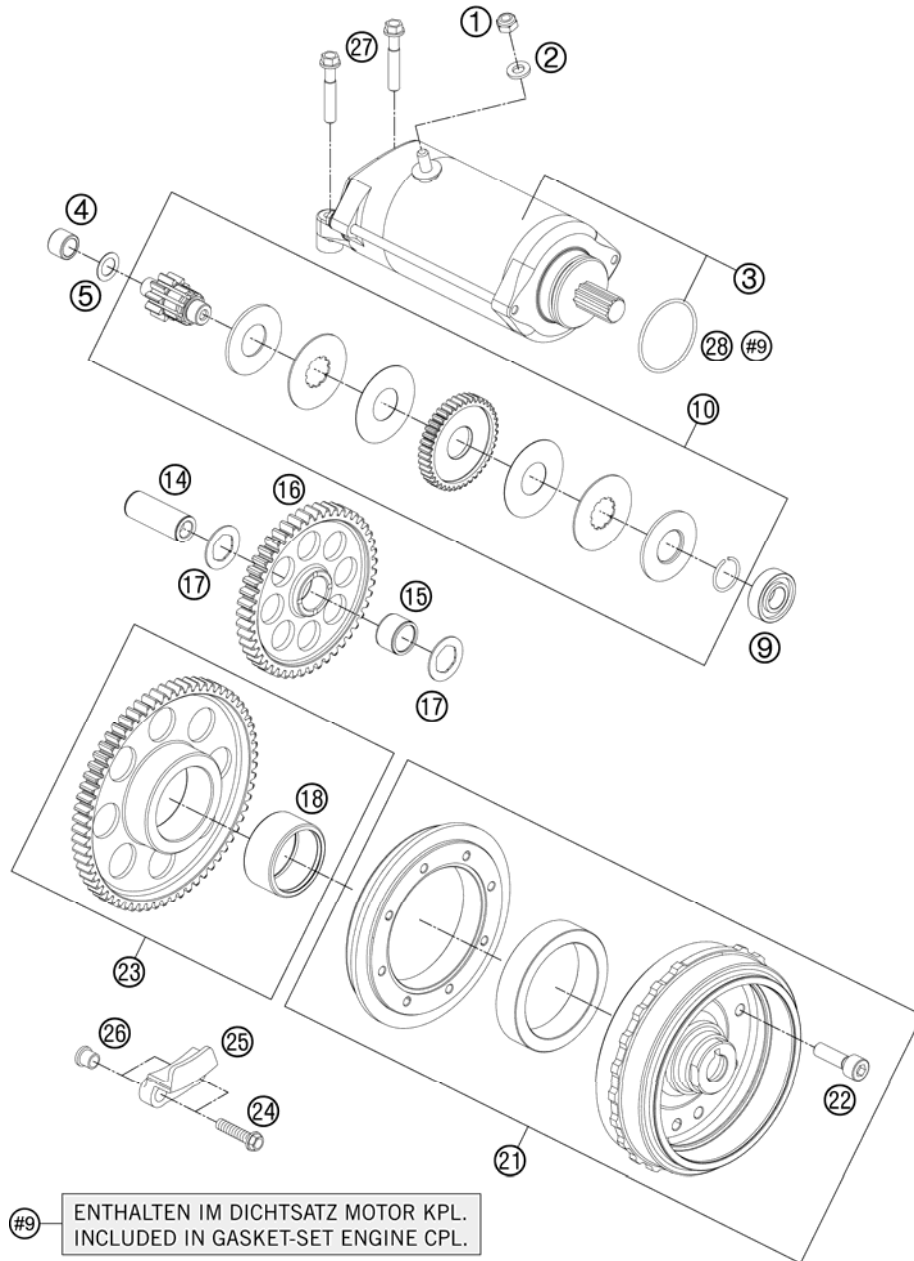


FIG	PART NUMBER	DESCRIPTION	QTY
1	0985060003	SELF LOCK. NUT DIN0985-M 6	1
2	0125060003	WASHER DIN0125-A 6,4	1
3	61240001000	E-STARTER ENGINE 9T 08	1
4	0618101410	NEEDLE SLEEVE HK 1010 10/14/10	1
5	60038007010	WASHER 10X16X0,5 03	1
9	0625060016	GROOV.BALL BEAR. 6001.2RSR C3	1
10	61240017100	TORQUE LIMITER 10/45 CPL.	1
14	61230058050	BEARING BOLT 15X39 08	1
15	0405151913	NEEDLE BEARING K 15X19X13	1
16	61240022100	INTERMEDIATE GEAR 43T	1
17	61230057060	STOP DISK 15,2X25X1	2
18	0618354220	NEEDLE BUSH HK3520 35/42/20	1
21	60239105000	ROTOR	1
22	0912060203	AH SCREW DIN0912-M 6X20	8
23	61240020300	FREEWHEEL GEAR 66-T	1
24	0025060256	HH COLLAR SCREW M6X25 TX30	2
25	60040027000	FREEWHEEL HOLDER 03	1
26	60040027050	SUPPORTING SLEEVE 03	2
27	0025060306	HH COLLAR SCREW M6X30 TX30	2
28	0770033020	O-RING 33,75X2,00	1

116934010 / C116934010

* NEW PART

X AS REQUIRED

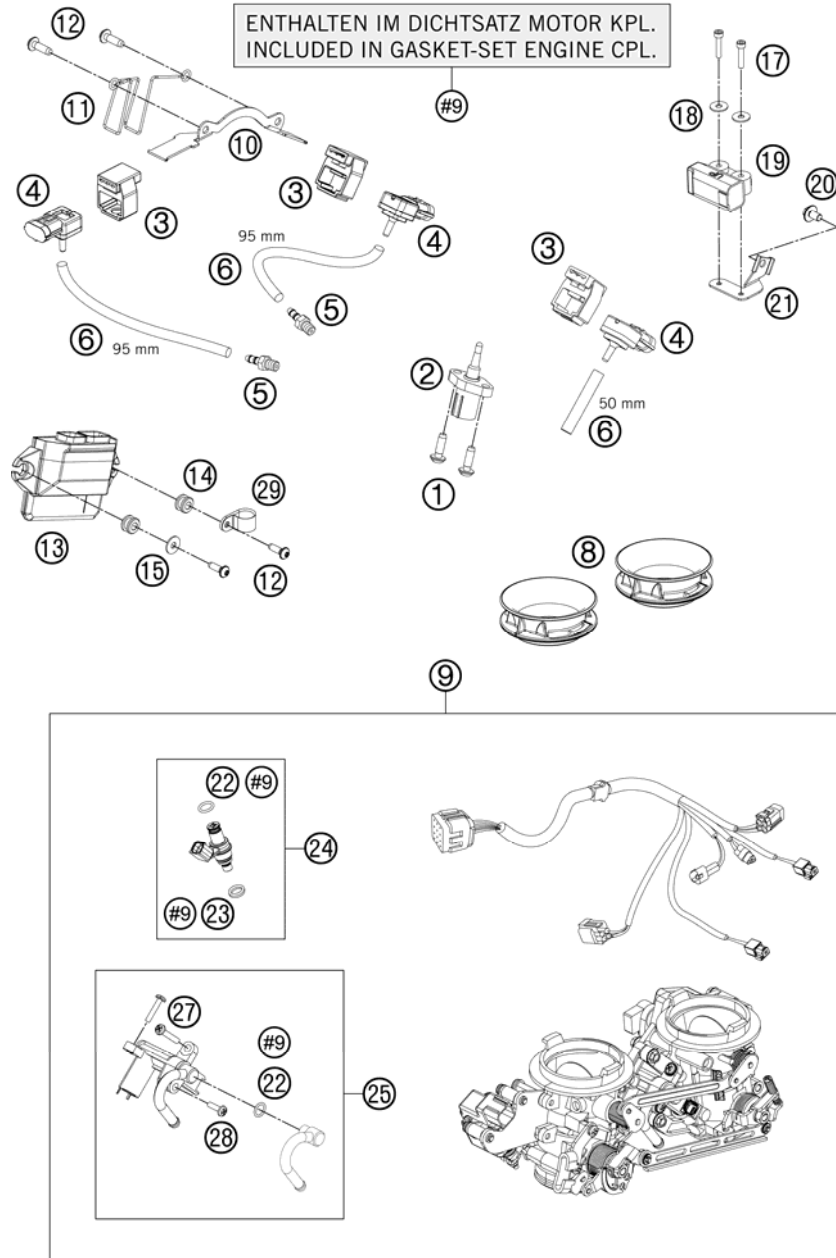


FIG	PART NUMBER	DESCRIPTION	QTY
1	0081050181	SCREW FOR PLASTIC K50X18 T20	2
2	61041080000	AMBIENT-AIR TEMPERATURE SENSOR	1
3	61041085150	RUBBER SUPP. PRESSURE SENS. 06	3
4	61041085100	PRESSURE SENSOR 06	3
5	61036023100	VACUUM CONECTION 2006	2
6	60031098001	HOSE 3,2X8,5 PER METER	x
8	61241040000	INTAKE TRUMPET 08	2
9	69341001000	THROTTLE BODY CPL. DK52	1
10	69006001031	SENSOR-RETAIN. PLATE AIRBOX 08	1
11	69006001032	HOLDER WIRING HARNESS REAR	1
12	0081050161	EJOT PT SCREW K50X16 1451	4
13	61041031300	TIMING CHARGER EFI 10	1
14	60039030000	VIBRATION DAMPER DIGITALBOX 03	2
15	0021050003	WASHER DIN9021-A 5,3	1
17	0912040203	AH SCREW DIN 912-M 4X20	2
18	61041088050	SHIM 4,3X15X1,25MM GALVANIZED	2
19	61041088000	ROLLOVER SENSOR 05	1
20	0024060136	HH COLLAR SCREW M6X13 TX30	1
21	69041088050	HOLDER ROLLOVER SENSOR	1
22	75041023020	O-RING	3
23	75041023010	SEAL RING	2
24	61241023044	INJECTOR CPL.	2
25	61241013044	FUEL HOSE CPL.	1
27	75041013060	SCREW SHOULDER	2
28	61041060040	SCREW FOR SUPPORT STEPPER MOT.	1
29	69007029000	PVC-CLAMP HEYCO 13,9 3379	1

116934110 / C116934110

* NEW PART

X AS REQUIRED





KTM-Sportmotorcycle AG
A-5230 Mattighofen
www.ktm.at

KTM Group Partner



3CM089861LEN



Art.Nr.: 3CM089861LEN 11/2011