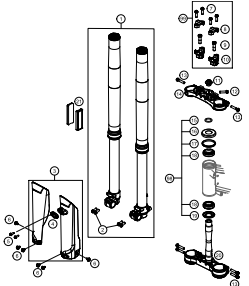
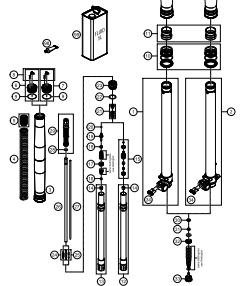
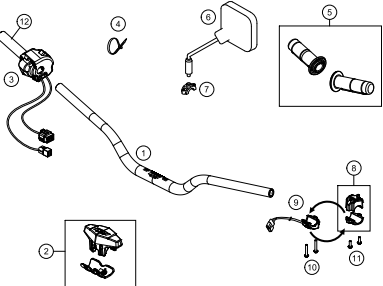
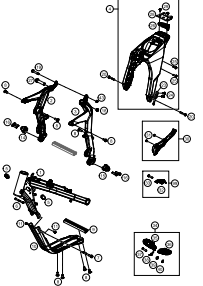
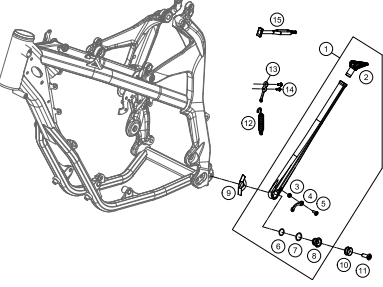
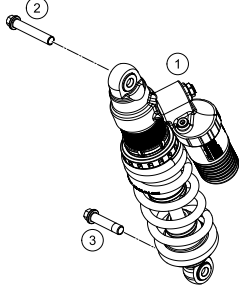
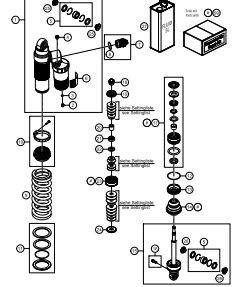
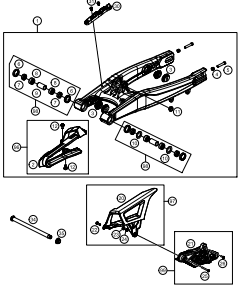
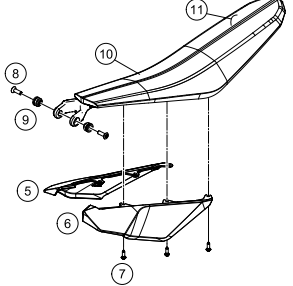
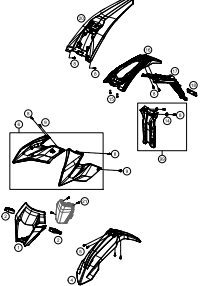
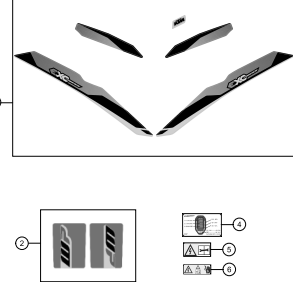
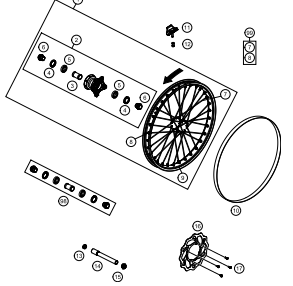
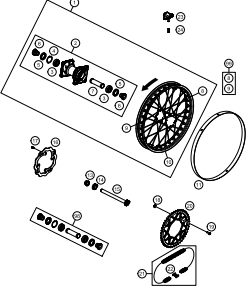
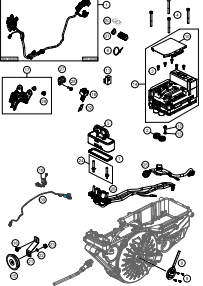
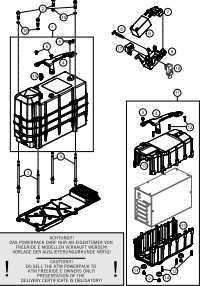
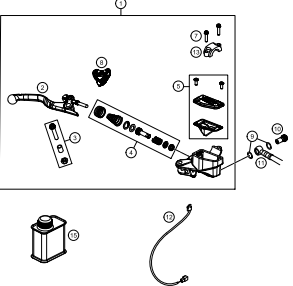
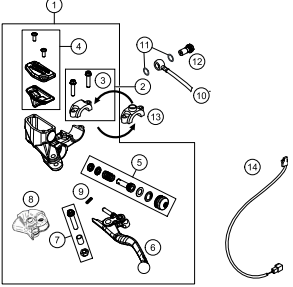
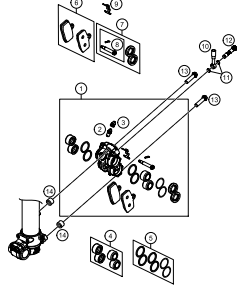
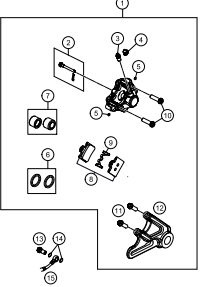
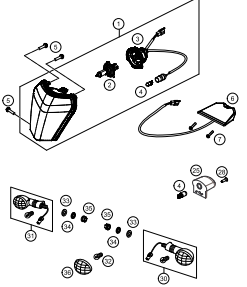
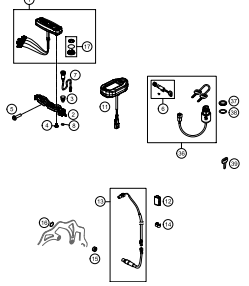
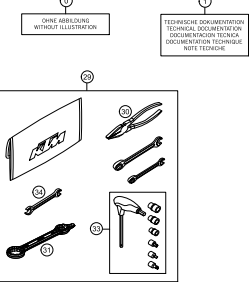



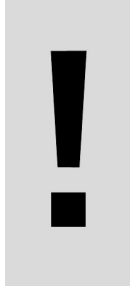
Freeride E-XC 2019 EU 2019

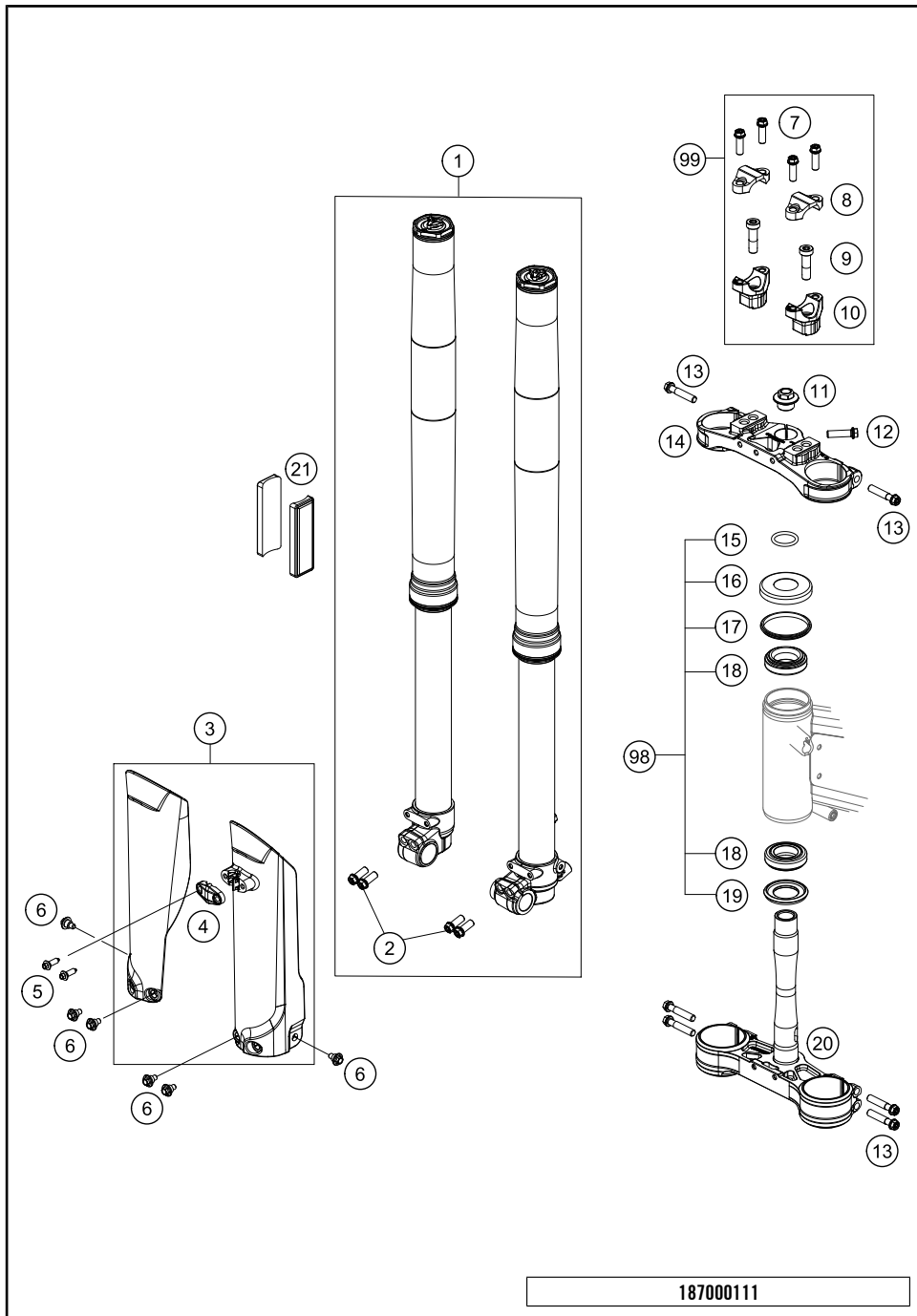
ART.-NR.: F3001S1EN



| | | | |
|--|---|--|--|
| <p>FRONT FORK, TRIPLE CLAMP</p>  <p>4</p> | <p>FRONT FORK DISASSEMBLED</p>  <p>5</p> | <p>HANDLEBAR, CONTROLS</p>  <p>6</p> | <p>FRAME</p>  <p>7</p> |
| <p>SIDE / CENTER STAND</p>  <p>8</p> | <p>SHOCK ABSORBER</p>  <p>9</p> | <p>SHOCK ABSORBER DISASSEMBLED</p>  <p>10</p> | <p>SWING ARM</p>  <p>11</p> |
| <p>TANK, SEAT</p>  <p>12</p> | <p>MASK, FENDERS</p>  <p>13</p> | <p>DECAL</p>  <p>14</p> | <p>FRONT WHEEL</p>  <p>15</p> |

| | | | |
|--|---|---|--|
| <p>REAR WHEEL</p>  <p>16</p> | <p>WIRING HARNESS</p>  <p>17</p> | <p>BATTERY</p>  <p>18</p> | <p>FRONT BRAKE CONTROL</p>  <p>19</p> |
| <p>REAR BRAKE CONTROL</p>  <p>20</p> | <p>FRONT BRAKE CALIPER</p>  <p>21</p> | <p>REAR BRAKE CALIPER</p>  <p>22</p> | <p>LIGHTING SYSTEM</p>  <p>23</p> |
| <p>INSTRUMENTS / LOCK SYSTEM</p>  <p>24</p> | <p>SEPERATE ENCLOSURE</p>  <p>25</p> | <p>WP SHIMS FOR SETTING</p>  <p>26</p> | |

| | | | |
|--|---|---|--|
| | | | |
| | | | |
| |  | <p>All information contained is without obligation. KTM Sportmotorcycle GmbH particularly reserves the right to modify any equipment, technical specifications, prices, colors, shapes, materials, services, service work, constructions, equipment and the like so as to adapt them to local conditions or to cancel any of the above items, all without previous announcement and without giving reasons. KTM may stop manufacturing certain models without previous notice. KTM shall not be held liable for any deviations of availability and/or ability to deliver, illustrations, descriptions, printing and/or other errors. The illustrated models partly contain extra equipment, which is not applied to standard models.</p> <p>© by KTM Sportmotorcycle GmbH, Mattighofen AUSTRIA; All rights reserved; Reprint, also in extracts, with written allowance of KTM Sportmotorcycle GmbH, Mattighofen only.</p> | |

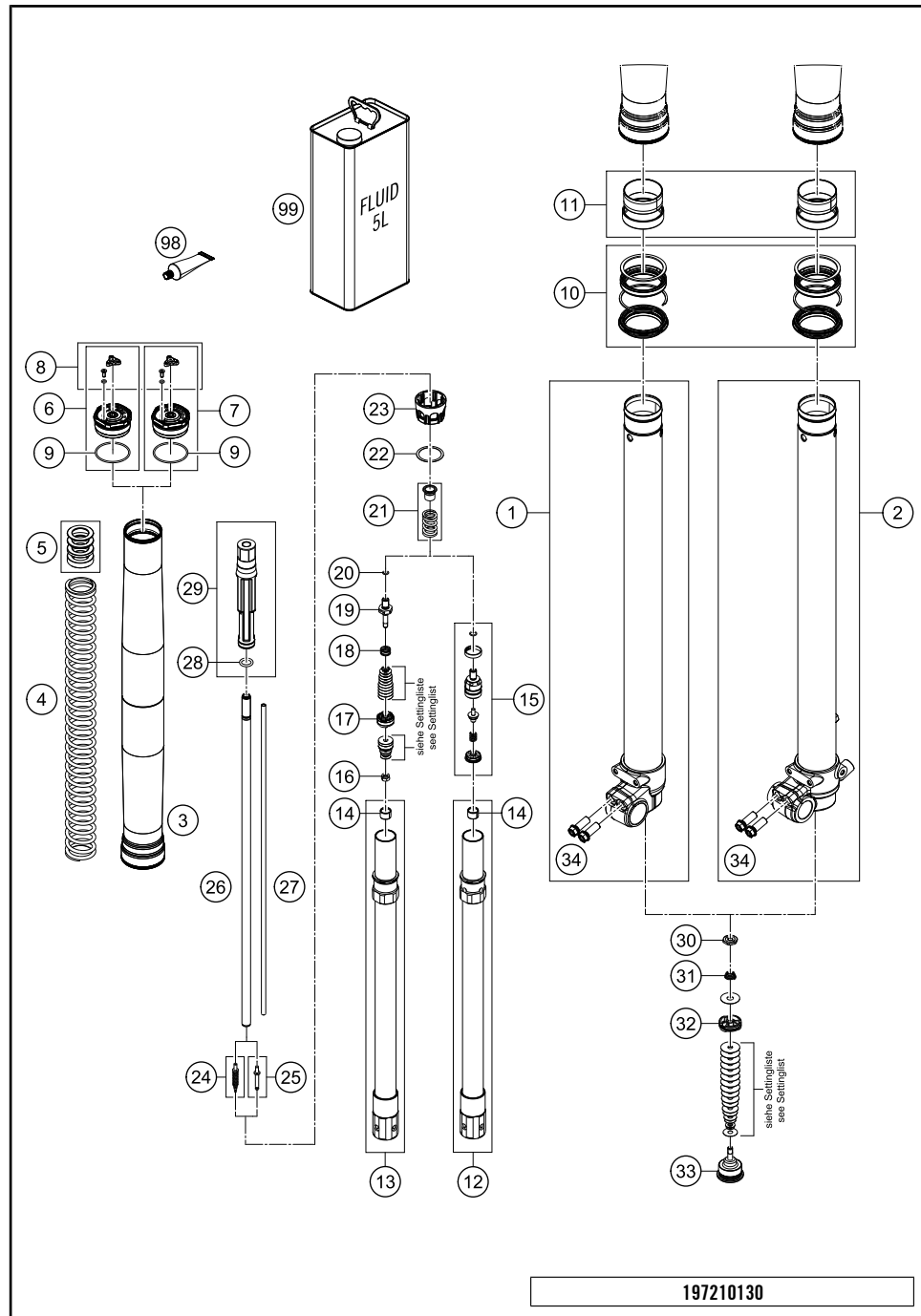


| POS | PARTNUMBER | PARTNAME | PIECE |
|-----|----------------|--------------------------------------|-------|
| 1* | 05188S4001 | Fork Freeride 250F/E-XC 19 | 1 |
| 2 | 0025080206 | HH collar screw M8x20 | 4 |
| 3 | 4720109400028C | Fork protection set freeride E-XC NB | 1 |
| 4 | 7770108510028 | CLAMP BRAKE HOSE | 1 |
| 5 | 0017060206 | SCREW F. PLASTIC K60X20AL SW6 | 2 |
| 6 | 59001092050 | SPECIAL SCREW M6X12,5 WS=8 | 6 |
| 7 | 0025080256 | HH collar screw M8x25 | 4 |
| 8 | 77201038000 | HANDLEBAR CLAMP 28MM | 2 |
| 9 | 0032100356S | AH-COLLAR SCREW M10X35 ISA45 | 2 |
| 10 | 59401039037 | HANDLEB.SUPP. D=28MM H=37MM 05 | 2 |
| 11 | 70009082000 | AXLESCREW M20X1.5; SW17 | 1 |
| 12 | 0015080256S | HH COLLAR SCREW M8X25 WS=10 | 1 |
| 13 | 0025080406 | HH COLLAR SCREW M8X40 TX40 | 6 |
| 14 | 7210103402030 | Upper fork crown | 1 |
| 15 | 0770025035 | O-RING 25X3,55 NBR70 05 | 1 |
| 16 | 78101086000 | STEERING HEAD COVER | 1 |
| 17 | 54601184000 | STEERING HEAD GASKET TOP | 1 |
| 18 | 54201081100 | TAPERED ROLLER BEARING CPL. 06 | 2 |
| 19 | 77701084000 | O-RING SUPPORT W. SEALING LIP | 1 |
| 20 | 7210103202030 | Bottom triple clamp cpl. | 1 |
| 21 | 58412080300 | REFLECTOR YELLOW "CEV" | 2 |
| 98 | 00050000930 | STEERING HEAD REP. KIT 06-15 | x |
| 99 | 59401039044 | HANDLEBAR SUPPORT D=28MM/H=37 | x |

187000111

51017

* NEW PART X ON DEMAND



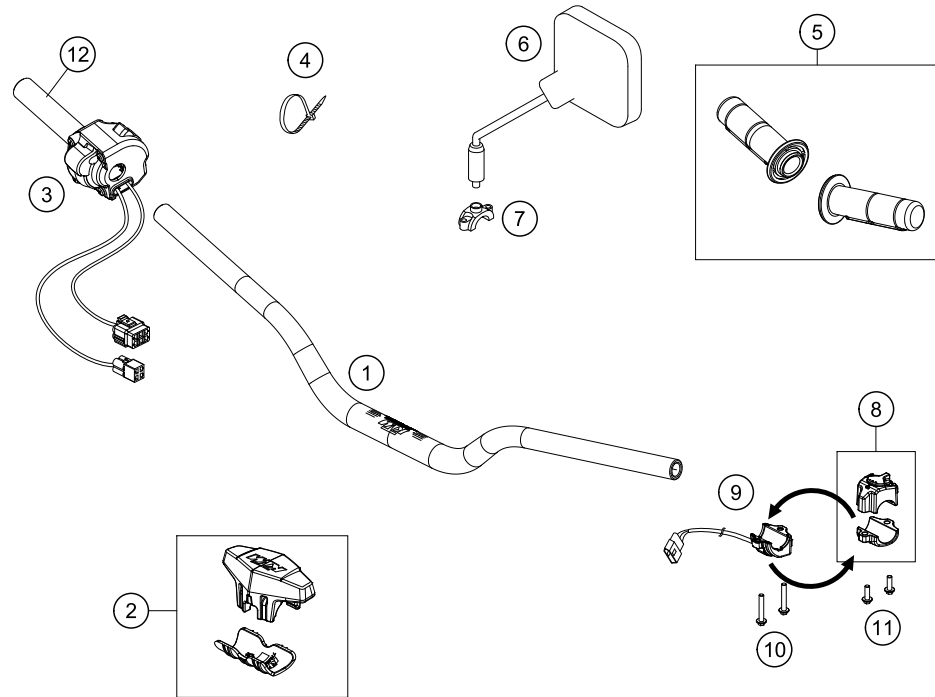
197210130

| POS | PARTNUMBER | PARTNAME | PIECE |
|-----|------------|--------------------------------------|-------|
| 1 | 43570810S1 | Axle clamp right + tube cpl. | 1 |
| 2 | 43570809S1 | Axle clamp left + tube cpl. | 1 |
| 3 | 43570614E | OUTER TUBE L510 D49/53 | 2 |
| 4 | 95010054S | SPRING 4,8 N/MM SET | 1 |
| 4 | 95010050S | SPRING 4,6 N/MM SET | x |
| 4 | 95010087 | Spring l=415mm 5,0 N/mm | x |
| 5 | R14054 | REP. KIT SPACER | 1 |
| 6 | 43570807S | Screw cap M46x1,5 cpl. | 1 |
| 7 | 43570806S | Screw cap M46x1,5 cpl. | 1 |
| 8 | R14033 | SCREW CAP SMALL PART KIT | 1 |
| 9 | 43570023 | O-ring 41x2 NBR70 siliconized yellow | 2 |
| 10 | R516 | Fork sealing kit 43mm red | 1 |
| 11 | R14042 | GUIDE BUSHING SET | 1 |
| 12* | 48600870S8 | Cartridge tube 23x330 cpl. | 1 |
| 13* | 48600870S9 | Cartridge tube 23x330 cpl. | 1 |
| 14 | 48600430 | DU BUSH FOR PISTON ROD | 2 |
| 15 | 48601843S | Tap compression cpl. | 1 |
| 16 | 40540486 | Nut M6x0,5 h6,5 WAF10 rebound | 1 |
| 17* | 48601817S | Piston 6x23x13 cpl. | 1 |
| 18 | 35480377 | SPRING CHECK VALVE D=0,5 | 1 |
| 19 | 48600576 | Tap 6x46 rebound | 1 |
| 20 | 48600299 | O-ring 6x1,2 NBR70 | 1 |
| 21 | 48600578S | Spring (13,9) 37-32 rebound cpl. | 2 |
| 22 | 48601702 | Shim 27,5x33x0,3 | 2 |
| 23 | 43570808 | Spring retainer 27,3x59,6x26,5 | 2 |
| 24 | 48600277S | Needle 4,5x43,6 cpl. | 1 |
| 25 | 48601558S | Needle 4,5x38,2 cpl. | 1 |
| 26 | 48601822 | Piston rod 12x483 | 2 |
| 27 | 48601839 | Adjustment tube 6x450,6 | 2 |
| 28 | 04500003 | O-ring 11x2,5 NBR70 PTFE yellow | 2 |
| 29 | 43570860S | Stop 12,4x28,6x167 cpl. | 2 |
| 30 | 48600163 | CHECK VALVE NUT M6X0,5 D=2 | 2 |
| 31 | 48600202 | Spring (8,5) l6,5 valve | 2 |
| 32* | 48601934S | Piston 6x27,3x9 compression cpl. | 2 |
| 33 | 48601553S | Screw cap M29,3x1 OC split cpl. | 2 |
| 34 | 0025080206 | HH collar screw M8x20 | 4 |
| 98 | T14034 | Fuchs grease IPR (250g) | 1 |
| 99 | 48601166S1 | FORK OIL SAE4 5L | 1 |

50287

* NEW PART

X ON DEMAND



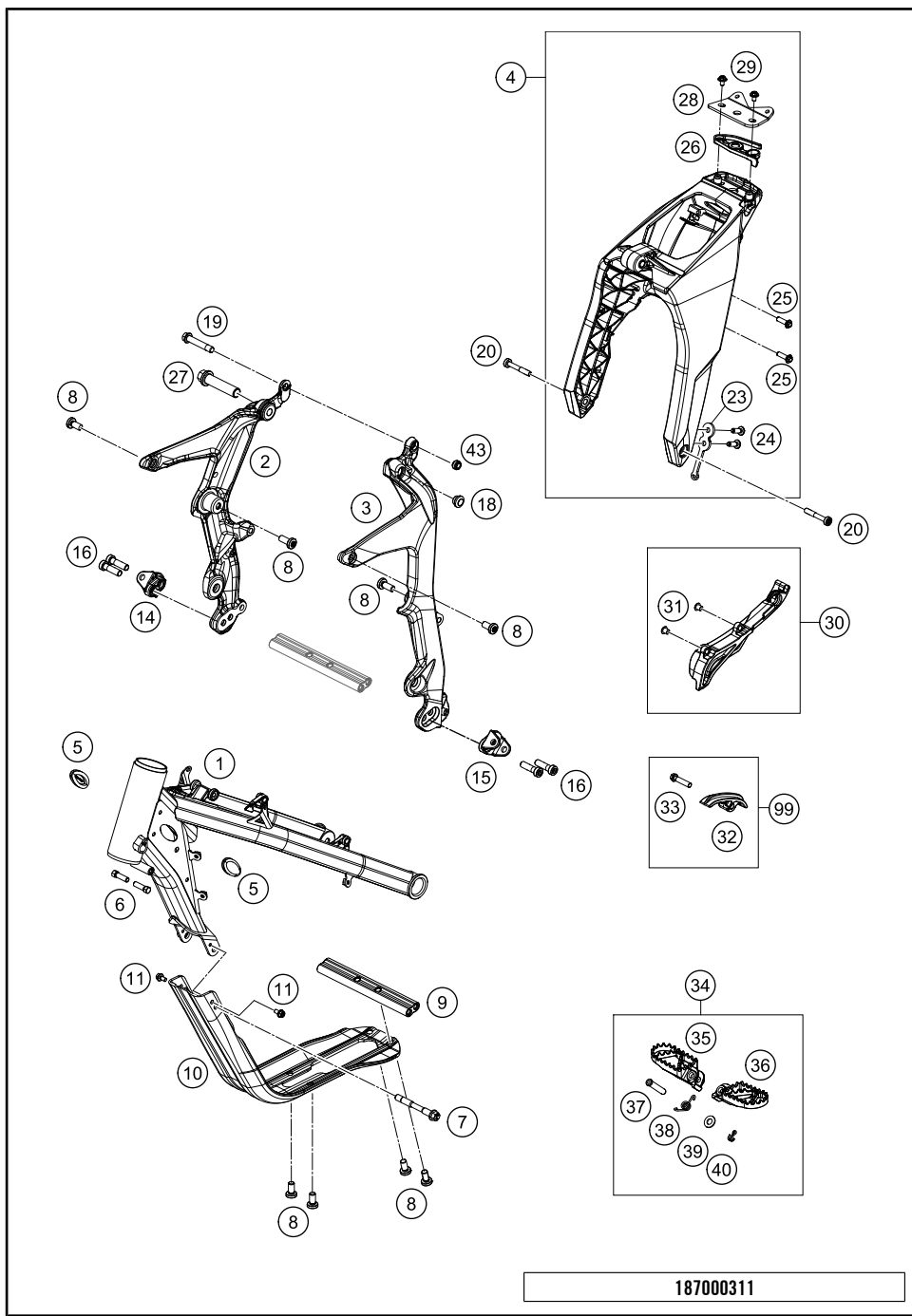
| POS | PARTNUMBER | PARTNAME | PIECE |
|-----|---------------|-----------------------------|-------|
| 1 | 7800200100030 | HANDLEBAR | 1 |
| 2 | 77202002144 | BAR PAD CPL. | 1 |
| 3 | 70011073000 | E-THROTTLE GRIP | 1 |
| 4 | 44011076305 | CABLE TIE 300/4,8MM BLACK | 2 |
| 5 | 70102021000 | Grip set | 1 |
| 6 | 58012040000 | REAR MIRROR L/S | 1 |
| 6 | 58012140000 | REAR MIRROR R/S | 1 |
| 7 | 58012040150 | CLAMP FOR MIRROR '94 | 2 |
| 8 | 78111070100 | LIGHT SWITCH | 1 |
| 9 | 78111029000 | FLASHER SWITCH | 1 |
| 10 | 0014050303 | HH COLLAR SCREW M5X30 SW=6 | 2 |
| 11 | 0014050163 | HH COLLAR SCREW M 5X16 WS=6 | 2 |
| 12 | 70002012000 | THROTTLE HANDLE TUBE | 1 |

157000211

49199

* NEW PART

X ON DEMAND



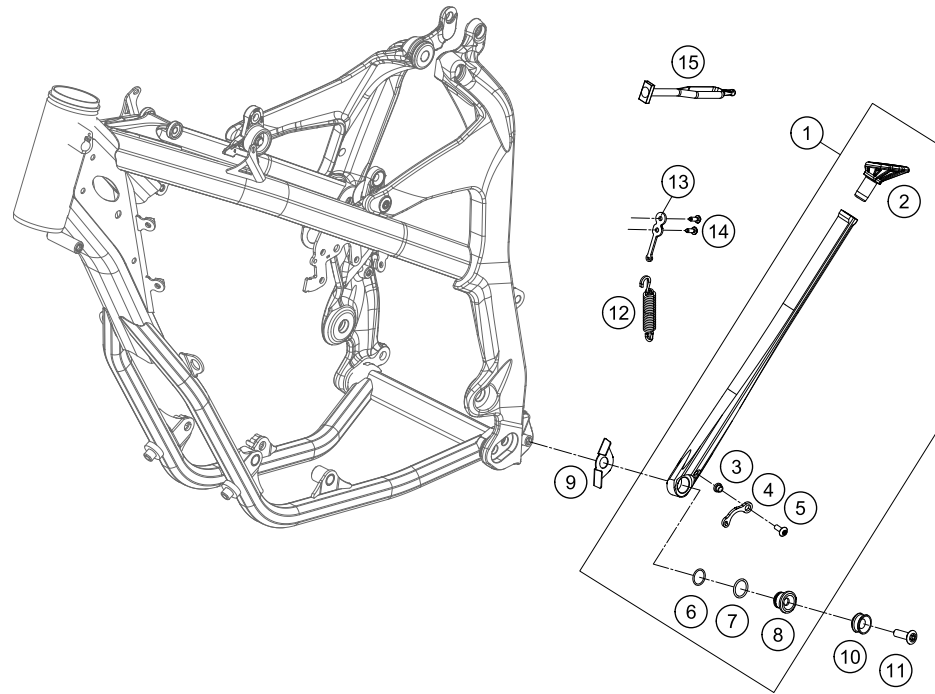
| POS | PARTNUMBER | PARTNAME | PIECE |
|-----|---------------|---------------------------------|-------|
| 1 | 70103001000EB | Frame "701R1" elec. orange | 1 |
| 2 | 72103001152 | Connection support right | 1 |
| 3 | 72103101051 | Linkage bracket, left premount. | 1 |
| 4 | 70003002033 | SUBFRAME CPL. | 1 |
| 5 | 58404041000 | CLOSING COVER SWINGARM SM 03 | 2 |
| 6 | 0912080123 | AH SCREW DIN912 M8X12 | 2 |
| 7 | 47003013000 | ENGINE BRACKET SCREW 85 SX | 1 |
| 8 | 0035100209 | AH-COLLAR SCREW M10X20 ISA45 | 8 |
| 9 | 70003001060 | CROSS PIPE | 1 |
| 10 | 70003090144 | ENGINE GUARD CPL. | 1 |
| 11 | 0025050106 | HH collar screw M5x10 TX30 | 2 |
| 14 | 70003039100 | FOOTREST MOUNTING R/S '12 | 1 |
| 15 | 70003038100 | FOOTREST MOUNTING L/S '12 | 1 |
| 16 | 0032100356S | AH-COLLAR SCREW M10X35 ISA45 | 4 |
| 18 | 50180105 | Threaded bush M12 d20 | 1 |
| 19 | 69004094000 | HH COLLAR SCREW M10X56 WS13 08 | 1 |
| 20 | 0035080506S | AH-COLLAR SCREW M8X50 ISA45 | 2 |
| 23 | 70003024050 | SIDE STAND SPRING PLATE 12 | 1 |
| 24 | 0017060205 | SCREW FOR PLASTIC K60X20 SW6 | 2 |
| 25 | 0016070253 | PLASTIC SCREW K7X25 PT1447 | 2 |
| 26 | 70007039000 | SEAT LOCKING MECHANISM | 1 |
| 27 | 70004016000 | MONOSHOCK SCREW TOP M12X80 | 1 |
| 28 | 70007039050 | BRACKET QUICK LOCK | 1 |
| 29 | 0024060106 | HH COLLAR SCREW M6X10 TX30 | 2 |
| 30 | 70003096100 | SPROCKET COVER | 1 |
| 31 | 45239060050 | COLLAR BUSHING 6,3X8X13X9,5 | 2 |
| 32 | 70003053000 | CHAIN SLIDING PIECE BELOW CPL. | 1 |
| 33 | 0025080356 | HH collar screw M8x35 TX40 | 1 |
| 34 | 47103040033 | FOOTREST CPL. 14 | 1 |
| 35 | 47103041000 | FOOTREST R/S | 1 |
| 36 | 47103040000 | FOOTREST L/S | 1 |
| 37 | 54803044000 | PIN FOR FOOT PED 51.5X9.8 MM | 2 |
| 38 | 54603041000 | FOOTREST SPRING L/S & R/S | 2 |
| 39 | 0125100003 | washer DIN 125 A 10.5 | 2 |
| 40 | 0094032253 | PIN DIN0094-3,2X25 STEEL | 2 |
| 43 | 69004095000 | ADAPTOR NUT M10 | 1 |
| 99 | 70003053010 | CHAIN SLIDING KIT BELOW | x |

187000311

49130

* NEW PART

X ON DEMAND



| POS | PARTNUMBER | PARTNAME | PIECE |
|-----|-------------|--------------------------------|-------|
| 1 | 70003023044 | SIDE STAND CPL. 2012 | 1 |
| 2 | 78003023155 | STAND BASE | 1 |
| 3 | 78003023070 | SPACER BUSH. SPRING BRACKET | 1 |
| 4 | 78003023090 | SPRING BRACKET F. SIDE ST. 08 | 1 |
| 5 | 58605083014 | SCREW M5X14 TORX 25 07 | 1 |
| 6 | 0770125015 | O-RING 12,5X1,5 NBR | 1 |
| 7 | 0770180020 | o-ring 18.00x2.00 NBR70 | 1 |
| 8 | 78003023080 | SIDE STAND BUSHING EXC USA 08 | 1 |
| 9 | 47003023050 | STOP SHEET SST | 1 |
| 10 | 78003023081 | SIDE STAND BUSHING EXC-EU 08 | 1 |
| 11 | 0019080356 | COUNTERSUNK SCREW ISA45 M8X35 | 1 |
| 12 | 81203024000 | SIDE STAND SPRING EYE MOVEABLE | 1 |
| 13 | 70003024050 | SIDE STAND SPRING PLATE 12 | 1 |
| 14 | 0017060205 | SCREW FOR PLASTIC K60X20 SW6 | 2 |
| 15 | 50303018000 | RUBBER L=145MM | 1 |

147250360

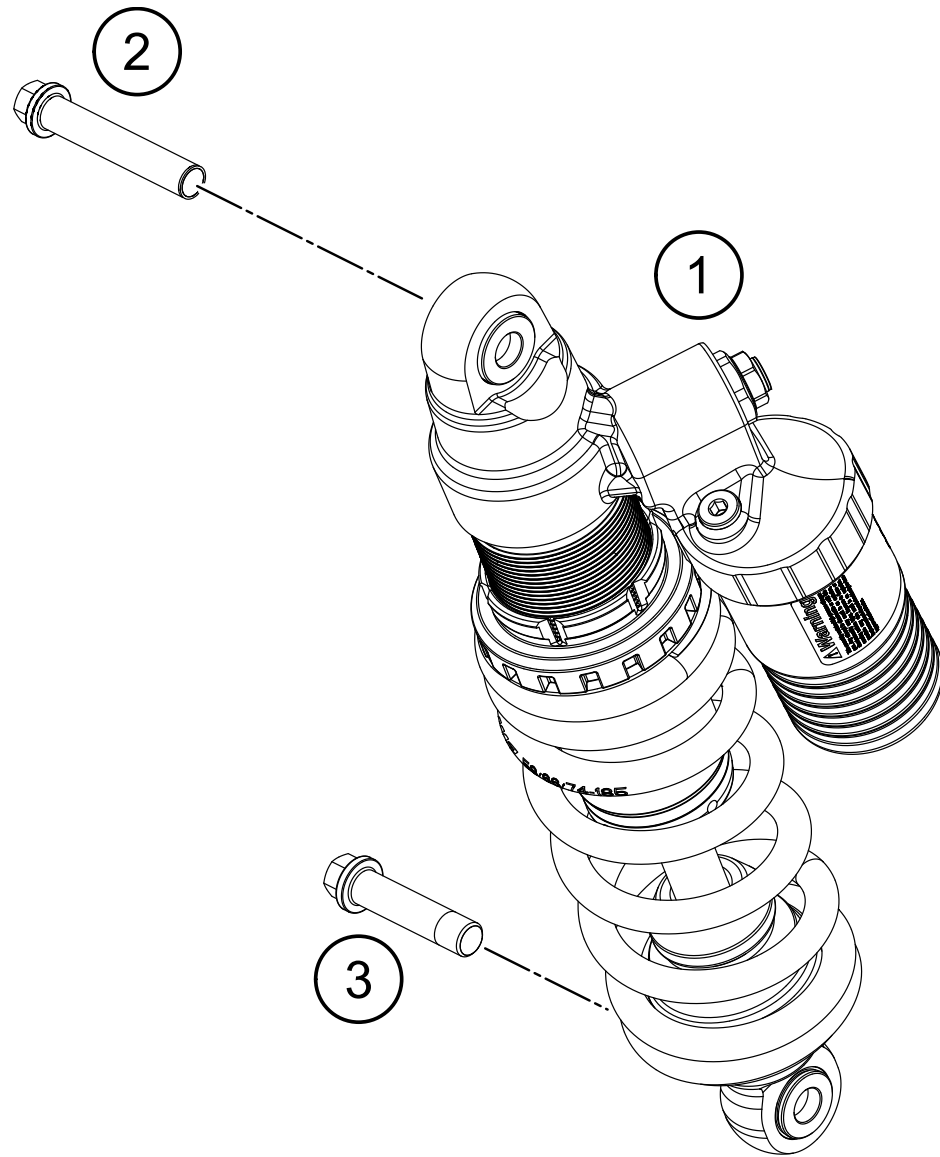
14708

* NEW PART

X ON DEMAND

SHOCK ABSORBER

Freeride E-XC 2019 EU 2019



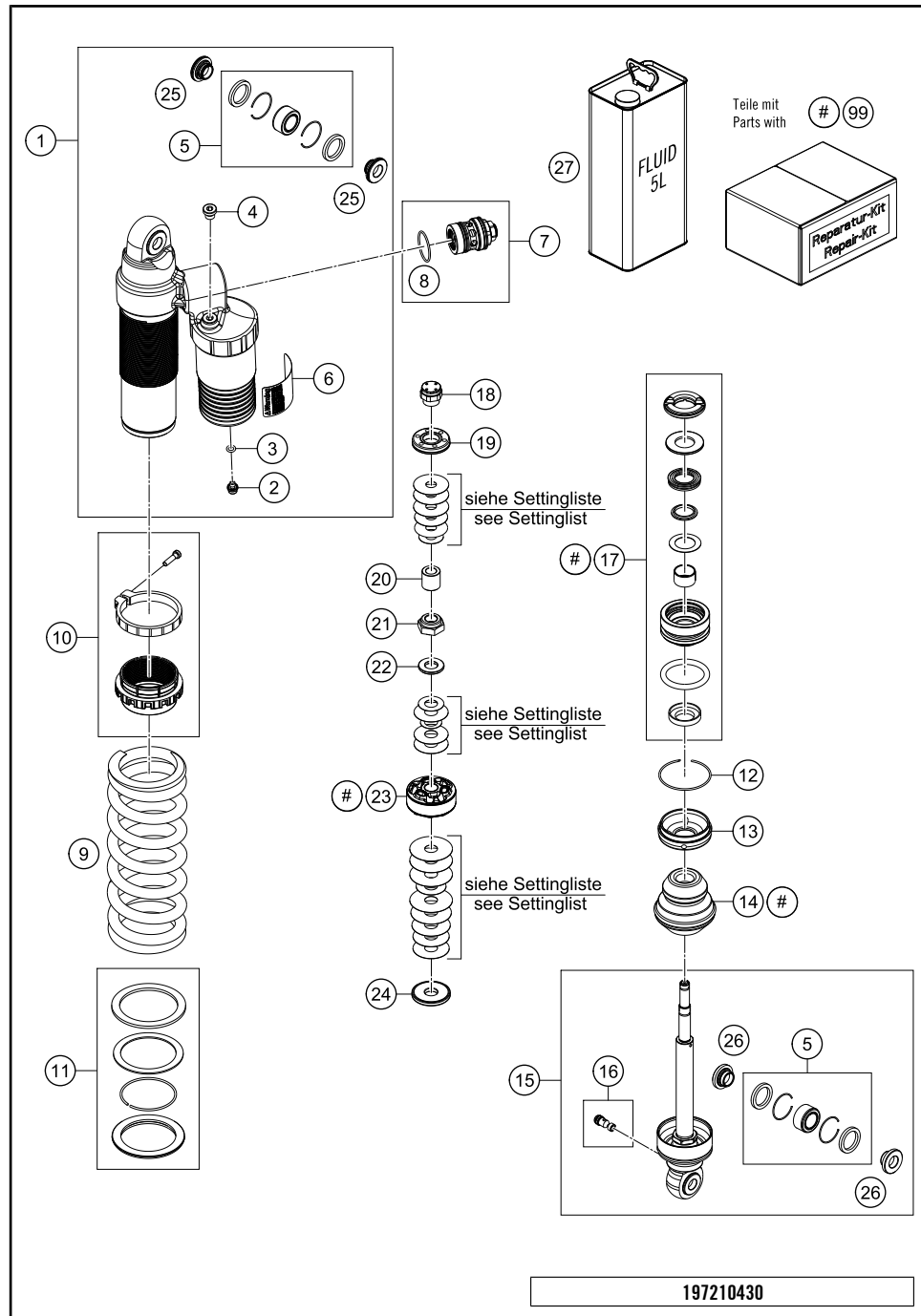
| POS | PARTNUMBER | PARTNAME | PIECE |
|-----|-------------|-----------------------------|-------|
| 1* | 12187S4001 | Shock Freeride 250F/E-XC 19 | 1 |
| 2 | 70004016000 | MONOSHOCK SCREW TOP M12X80 | 1 |
| 3 | 0025120506S | HH COLLAR SCREW M12X50 TX45 | 1 |

187000410

51018

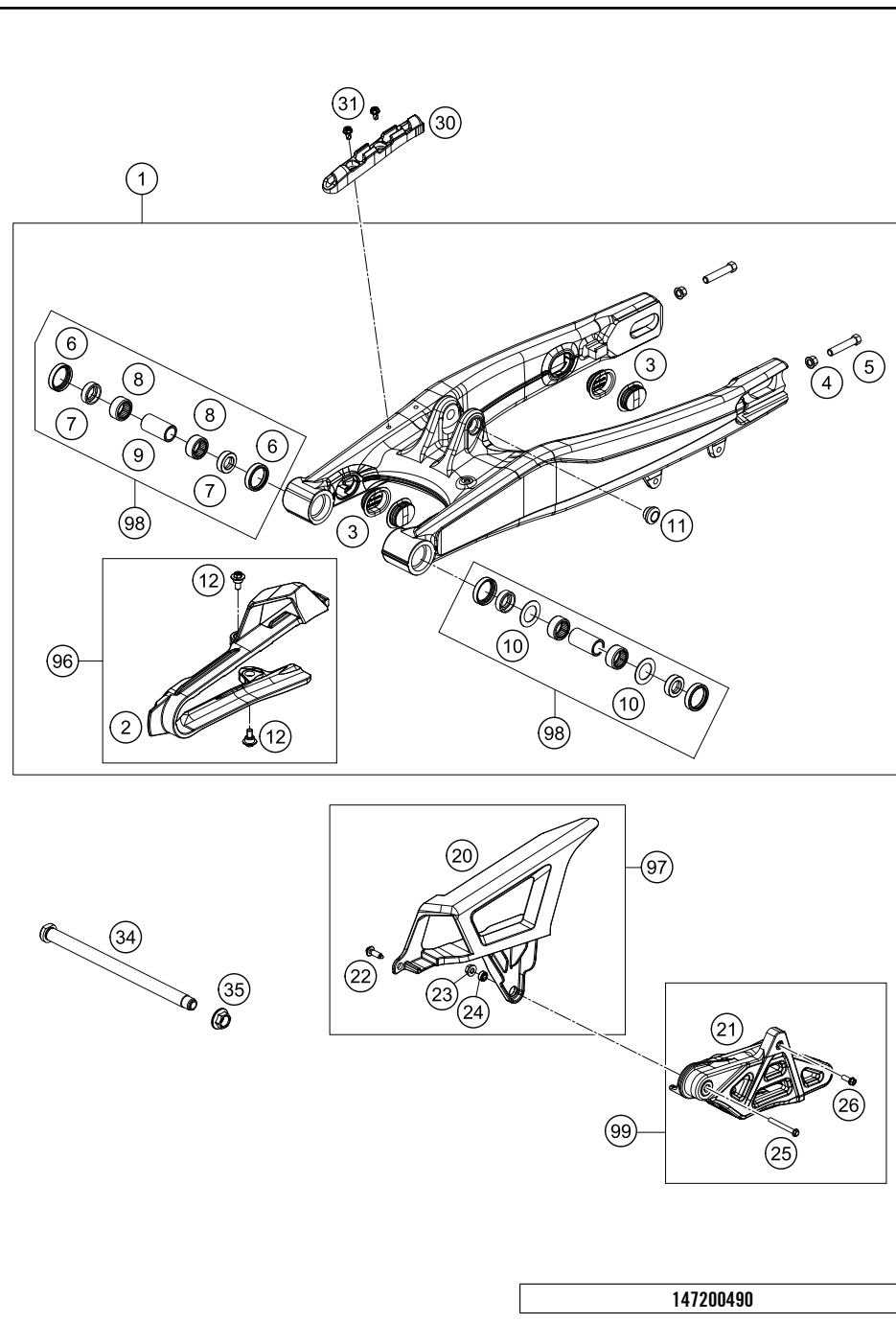
* NEW PART

X ON DEMAND



| POS | PARTNUMBER | PARTNAME | PIECE |
|-----|-------------|--|-------|
| 1 | 46181267S1 | Monoshock M53x1 with pipe cpl. | 1 |
| 2 | 36120151 | SCREW PLUG M5X6 | 1 |
| 3 | 46810893 | O-ring 5,28x1,78 NBR70 black | 1 |
| 4 | 50180095 | BLEED PLUG R 1/8 | 1 |
| 5 | R12012 | Ball joint bearing kit top 12mm | 2 |
| 6 | 52000143 | Sticker WP warning 65x40 | 1 |
| 7* | 50181101S34 | Compression cpl. | 1 |
| 8 | 50180217 | O-ring 27x1,5 Viton70 green ISO 3601-3S | 1 |
| 9 | 91020028 | Mainspring (59-61-59) 58/68/78-200 damp. | 1 |
| 9 | 91020027 | Mainspring (59) 58-66-74-200 damper w. | x |
| 9 | 91010378 | Spring l=200mm 69N/mm white | x |
| 10 | 46181228S | Spring retainer M55x2x75x40 plastic cpl. | 1 |
| 11 | RP10005 | SPRING CUP SET PDS 17 | 1 |
| 12 | 46810010 | Round-wire snap ring 49x1,8 | 1 |
| 13 | 46180338 | Cover 46,12x5,5 h15 | 1 |
| 14 | 46181237 | Rubber pad 17x48x55 | 1 |
| 15 | 46181301S2 | Shock absorber bot. cpl. | 1 |
| 16 | 50181094S | ADJUSTING SCREW M8X0,5 CPL. | 1 |
| 17 | 46180669S | Sealholder 46x28 cpl. | 1 |
| 18* | 46181365S | Nut PDS M10x1 h17,2 WAF19 cpl. | 1 |
| 19 | 46181184 | Piston 15x35,4x6 4 | 1 |
| 20 | 46181025 | Bush 10x17x17 | 1 |
| 21 | 46810474 | Piston rod nut M12x1 | 1 |
| 22 | 46811258 | Washer 12x24x2,5 | 1 |
| 23* | 46181328S | Piston 12x46x20 cpl. | 1 |
| 24 | 46181194 | Rebound disc 12x36x4 h0 | 1 |
| 25 | 46181105 | DISTANCE BUSH KGW 12X24 | 2 |
| 26 | 46180007 | Distance bush 12x15/18/24,5x10,5 | 2 |
| 27 | 50180751S1 | SHOCK ABSORBER FLUID 5 LT | 1 |
| 99* | RP10020 | Reparaturkit Federbein PDS 19 | 1 |

* NEW PART X ON DEMAND

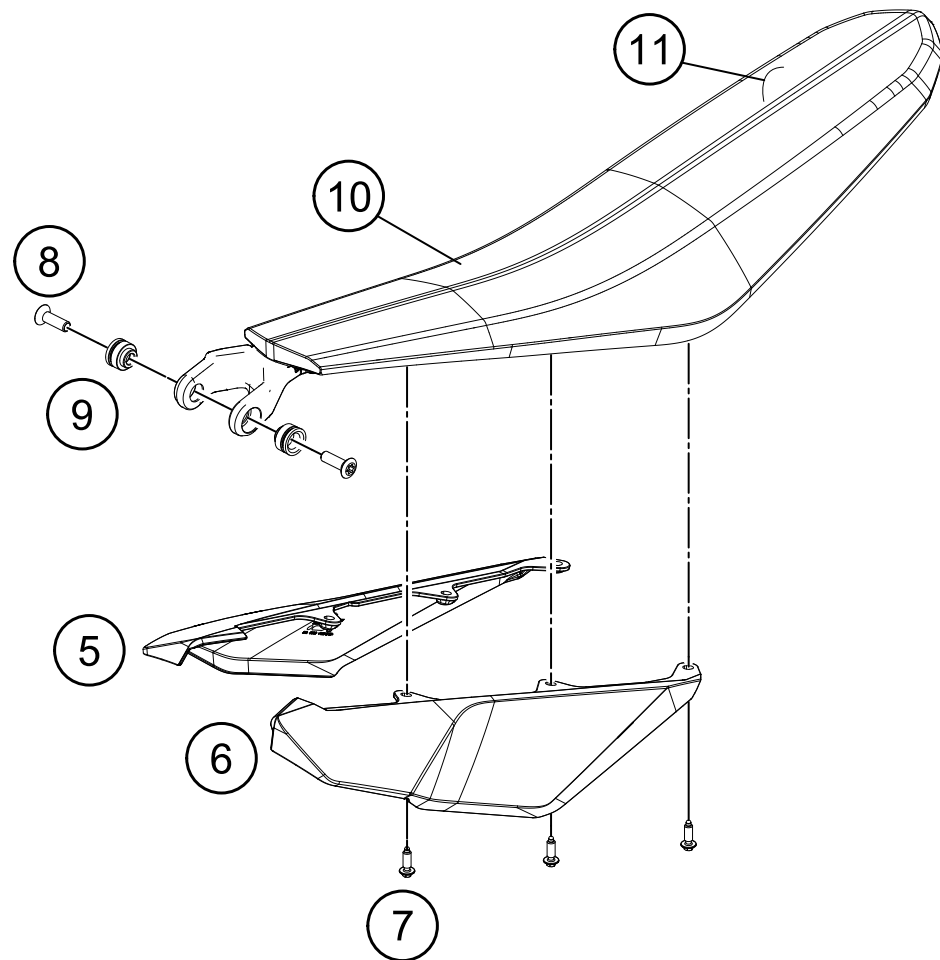


| POS | PARTNUMBER | PARTNAME | PIECE |
|-----|-------------|--------------------------------|-------|
| 1 | 70004030044 | SWINGARM CPL. | 1 |
| 2 | 70004066000 | CHAIN GUIDE GUARD | 1 |
| 3 | 77204041000 | CLOSING COVER | 4 |
| 4 | 46030045000 | flanged nut M8 WS10 | 2 |
| 5 | 50203030090 | HH SCREW M8X40 WS=10 | 2 |
| 6 | 0760253270 | radial shaft seal 25x32x7 | 4 |
| 7 | 54603090000 | BUCKET F.SHAFTSEALRING 15X25X9 | 4 |
| 8 | 59004031000 | NEEDLE BUSH HK2012V | 4 |
| 9 | 50203081700 | BUSHING SLEEVE 15X20X38,75 | 2 |
| 10 | 59033080000 | SHIM 20X32X1 | 2 |
| 11 | 50180105 | Threaded bush M12 d20 | 1 |
| 12 | 83008100015 | SPECIAL SCREW M6X15X5,5 | 2 |
| 20 | 70004060000 | CHAIN GUARD | 1 |
| 21 | 78104070100 | CHAIN GUIDE EXC | 1 |
| 22 | 0017060205 | SCREW FOR PLASTIC K60X20 SW6 | 1 |
| 23 | 56509064100 | SELF LOCKING NUT M6 10.9 | 1 |
| 24 | 54603055051 | PRESS IN NUT M6 STEEL ZINC | 1 |
| 25 | 0025060506 | HH collar screw M6x50 TX30 | 1 |
| 26 | 0025060206 | HH collar screw M6x20 TX30 | 1 |
| 30 | 70013047000 | BRAKE HOSE GUIDE | 1 |
| 31 | 0009050106 | EJOT SPIRAL SCREW SF M5X10-K | 2 |
| 34 | 70004037000 | SWING ARM BOLT L=239 '12 | 1 |
| 35 | 77204087000 | hex nut M14x1.5 WS17 | 1 |
| 96 | 70004066010 | CHAIN GUARD KIT FREERIDE | x |
| 97 | 70004060110 | CHAIN PROTECTION KIT FREERIDE | x |
| 98 | 47004230010 | SWINGARM REP. KIT 105/85 SX | x |
| 99 | 77304070310 | CHAIN GUIDE KIT REAR 08-14 | x |

147200490

14671

* NEW PART X ON DEMAND



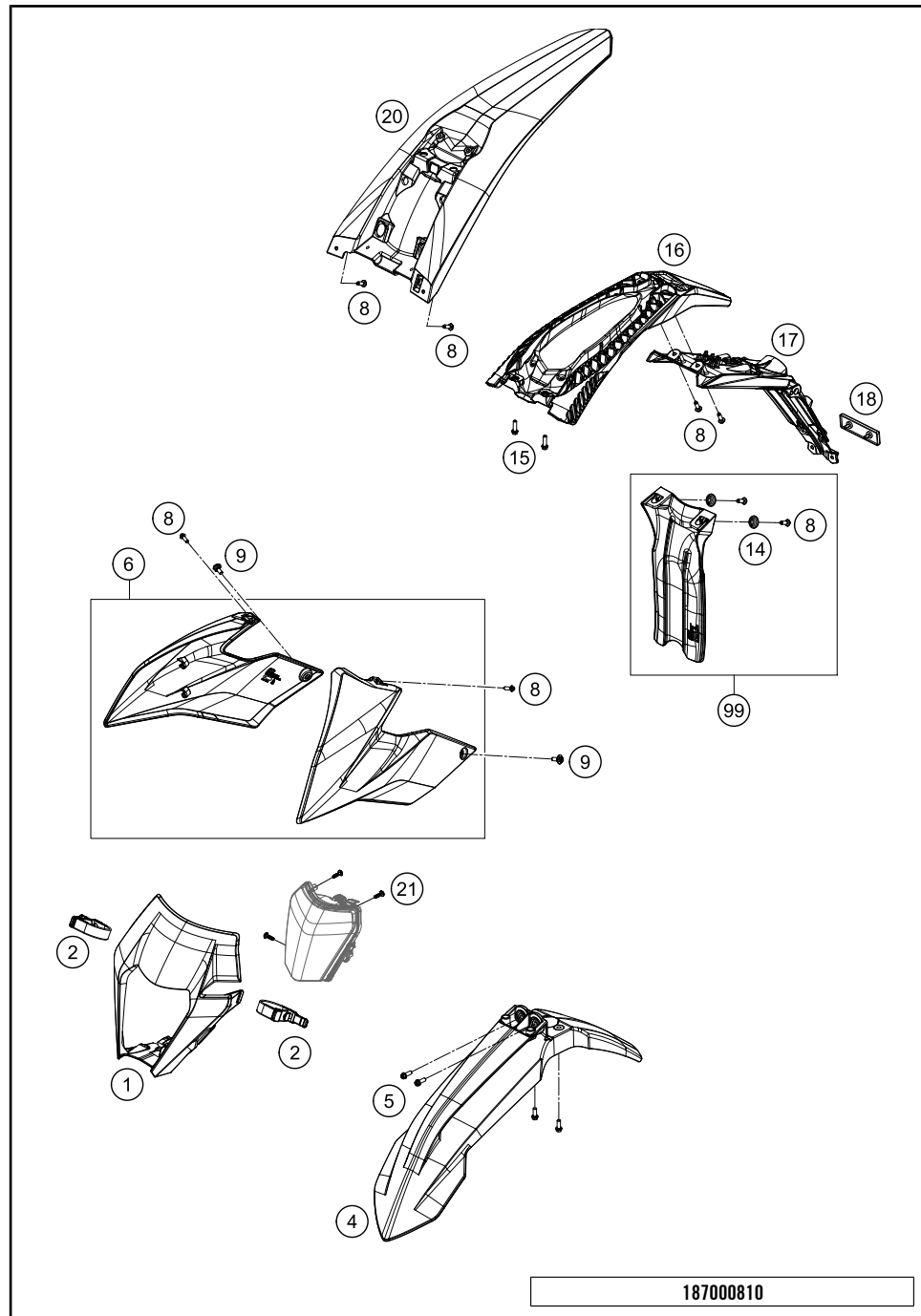
| POS | PARTNUMBER | PARTNAME | PIECE |
|-----|----------------|--|-------|
| 5 | 7000702505128D | Batt. Cov. Ri. Wt. Freeride E-XC NB 18 WITH DECAL | 1 |
| 6 | 7000702505028D | Battery cover L 18 WITH DECAL | 1 |
| 7 | 0017060206 | SCREW F. PLASTIC K60X20AL SW6 | 6 |
| 8 | 0019080266S | COUNTER-SUNK SCREW ISA45 M8X26 | 2 |
| 9 | 70003001057 | BUSHING | 2 |
| 10 | 70007040100 | SEAT HIGH CPL. '13 | 1 |
| 11 | 70007040150 | SEAT COVER | 1 |

157000711

49200

* NEW PART

X ON DEMAND



| POS | PARTNUMBER | PARTNAME | PIECE |
|-----|----------------|--------------------------------------|-------|
| 1 | 72108001000EB | Headlamp mask | 1 |
| 2 | 72108003000 | Mask rubber | 1 |
| 4 | 4720801000028 | Front fender | 1 |
| 5 | 0024060156 | HH collar screw M6x15 TX30 | 4 |
| 6 | 7000805400030F | Spoiler kit Freeride E 18 WITH DECAL | 1 |
| 8 | 0017060206 | SCREW F. PLASTIC K60X20AL SW6 | 8 |
| 9 | 83008000012 | special screw M6x12x3 | 2 |
| 14 | 77304066050 | chain slider bushing | 2 |
| 15 | 0025060206 | HH collar screw M6x20 TX30 | 2 |
| 16 | 70008016000 | NUMBER PLATE CARRIER TOP | 1 |
| 17 | 70008016050 | NUMBER PLATE CARRIER BOTTOM | 1 |
| 18 | 58412080000 | REFLECTOR RED | 1 |
| 20 | 7000811310028 | REAR PART WHITE | 1 |
| 21 | 0081050181 | SCREW FOR PLASTIC K50X18 T20 | 3 |
| 99 | 70006010010 | SPASH PROTECTOR KIT FREERIDE | x |

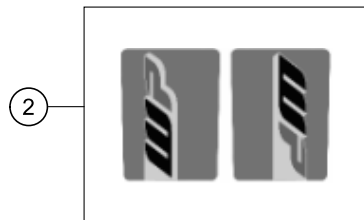
187000810

49201

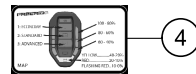
* NEW PART X ON DEMAND



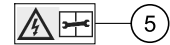
1



2



4



5



6

| POS | PARTNUMBER | PARTNAME | PIECE |
|-----|-------------|---------------------------|-------|
| 1 | 70108099000 | Decal Set back Freeride E | 1 |
| 2 | 52000140 | Sticker 85 Sx 214x161 | 1 |
| 4 | 70045160090 | DECAL "TECHNICAL INFO" | 1 |
| 5 | 70012095000 | LABEL "POWERPACK" | 1 |
| 6 | 70012096000 | LABEL "HIGH VOLTAGE" | 1 |

187010830

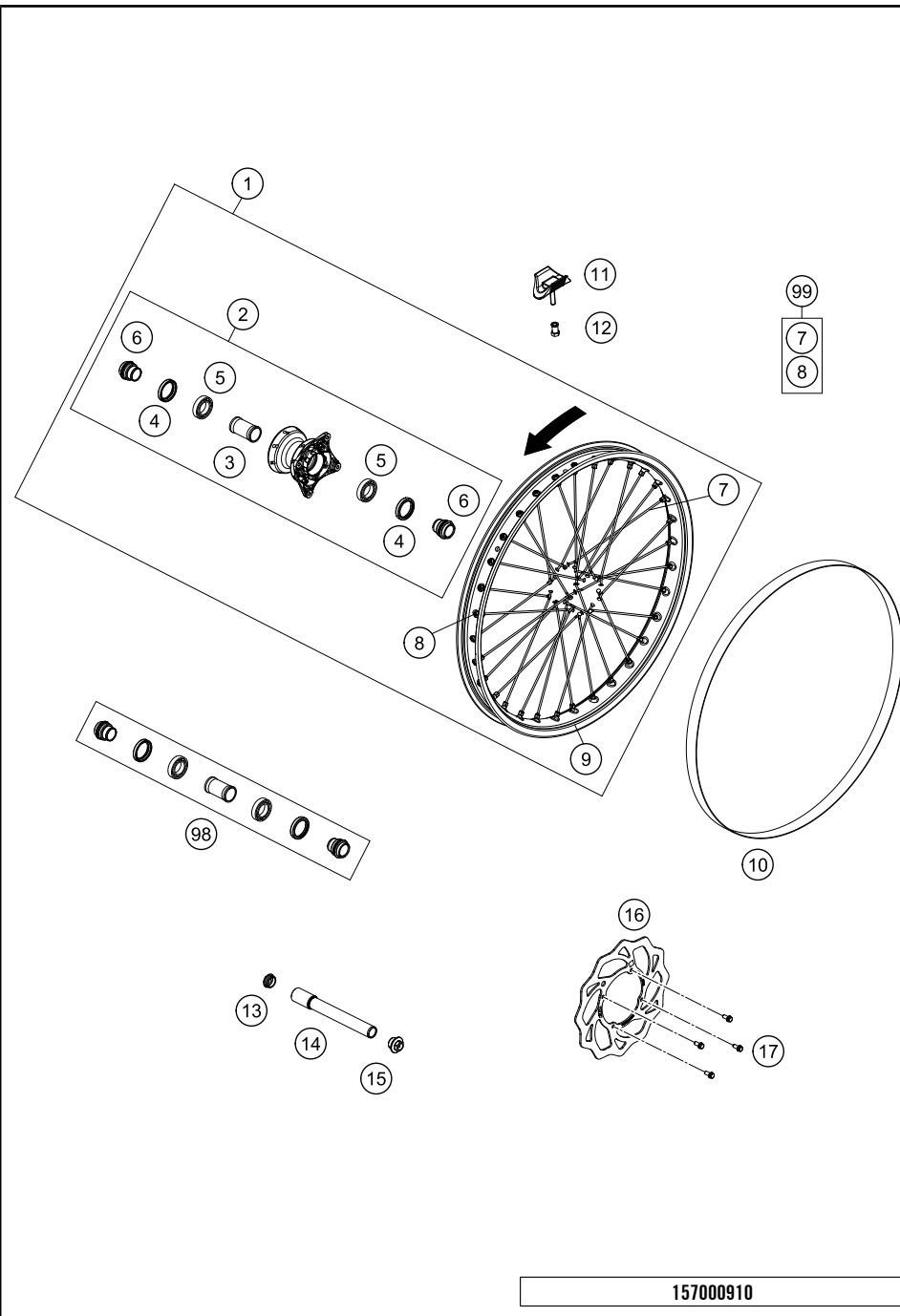
50237

* NEW PART

X ON DEMAND

FRONT WHEEL

Freeride E-XC 2019 EU 2019



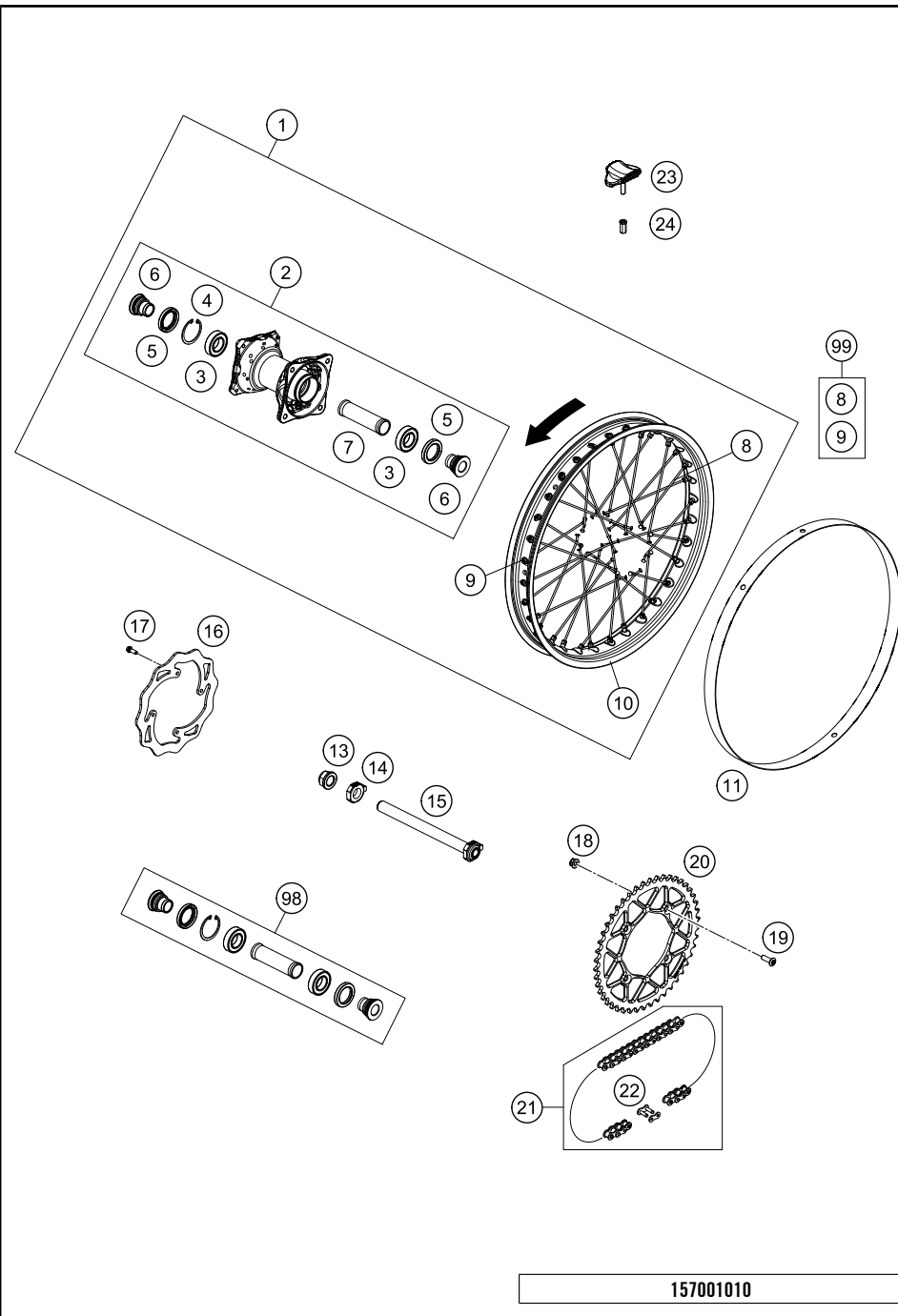
| POS | PARTNUMBER | PARTNAME | PIECE |
|-----|---------------|------------------------------------|-------|
| 1 | 7210900104433 | Front wheel cpl black 18 | 1 |
| 2 | 70009010044 | FRONT WHEEL HUB CPL. 12 | 1 |
| 3 | 70009011000 | BEAR.SPACER TUBE FRONT D22MM | 1 |
| 4 | 0760324271 | SHAFT SEAL RING 32X42X7 BSL | 2 |
| 5 | 0625069050 | BALL BEARING 6905 J1LLUC3 | 2 |
| 6 | 70009012000 | SPACER BUSHING D=22MM | 2 |
| 7 | 7000907123230 | SPOKE FRONT 232MM BLACK | 32 |
| 8 | 77109072000 | SPOKE NIPPLE M4,5 AL 11 | 32 |
| 9 | 7210907000033 | "Rim front 21X1,6-32 ""Freeride""" | 1 |
| 10 | 50309073000 | RIM BAND 21" | 1 |
| 11 | 78109090000 | RIM LOCK 1,60" | 1 |
| 12 | 77110090050 | NUT FOR WHEEL HOLDER | 1 |
| 13 | 70009081050 | PLUG BUSHING SW17 '12 | 1 |
| 14 | 70009081000 | AXLE FRONT D=22 '12 | 1 |
| 15 | 70009082000 | AXLESCREW M20X1.5; SW17 | 1 |
| 16 | 72509060100 | BRAKE DISK FRONT D=260MM D4 | 1 |
| 17 | 59009062013 | SPECIAL SCREW M6X13 WS=8 10.9 | 4 |
| 98 | 70009015000 | FRONT WHEEL REP. KIT | x |
| 99 | 00050000961 | SPOKE KIT FRONT '21' | x |

157000910

49126

* NEW PART

X ON DEMAND



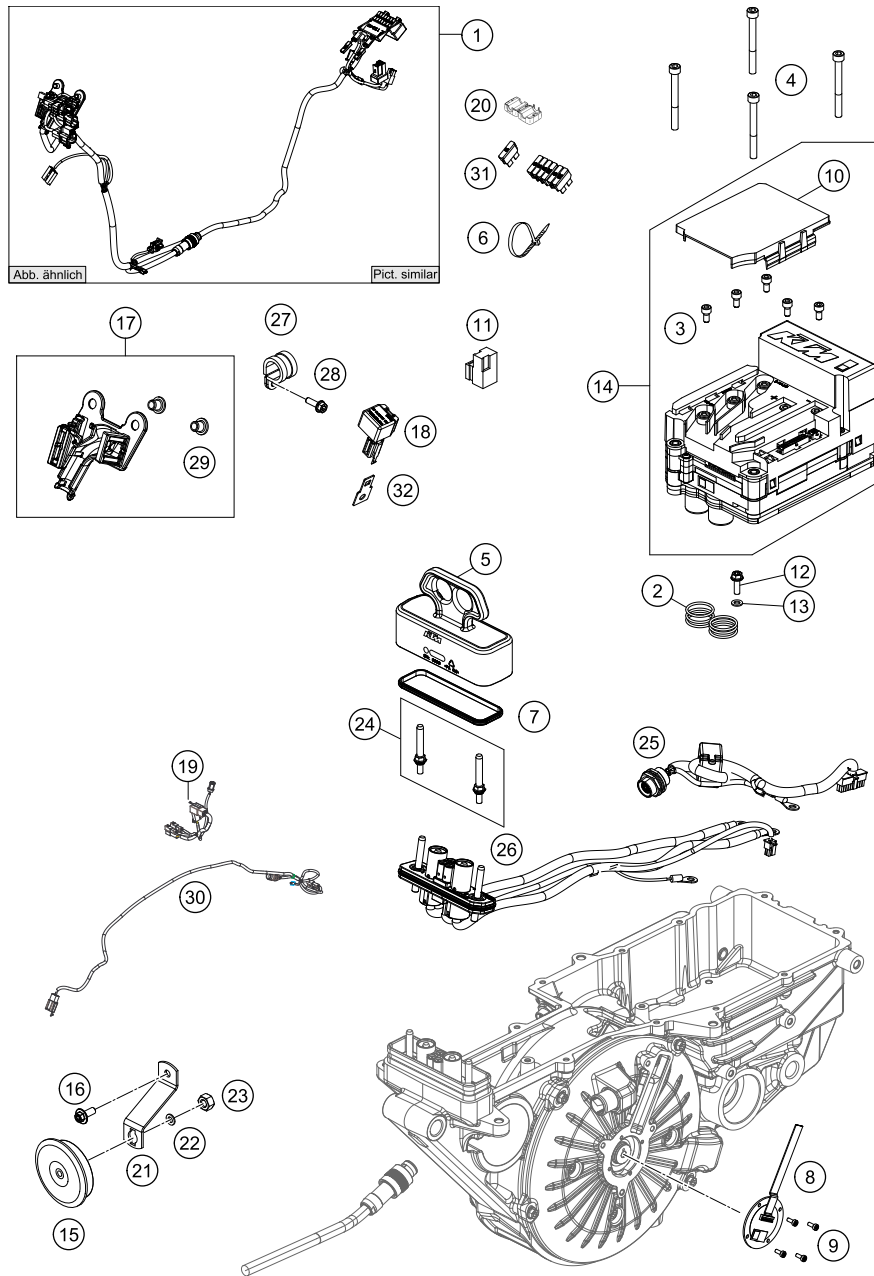
| POS | PARTNUMBER | PARTNAME | PIECE |
|-----|---------------|--------------------------------|-------|
| 1 | 7211000104433 | Rear wheel cpl. black 18 | 1 |
| 2 | 70010010044 | REAR WHEEL HUB CPL. 12 | 1 |
| 3 | 0625060058 | GR.BALL BEAR.6005 DDU2CG23S6NM | 2 |
| 4 | 0472047175 | CIRCLIP DIN0472-47X1,75 | 1 |
| 5 | 0760324771 | SHAFT SEAL RING 32X47X7 BSL | 2 |
| 6 | 78010016000 | BUSHING FOR HUB 08 | 2 |
| 7 | 70010011000 | BEAR.SPACER TUBE '12 | 1 |
| 8 | 7001007119330 | SPOKE REAR 193 MM BLACK | 32 |
| 9 | 77109072000 | SPOKE NIPPLE M4,5 AL 11 | 32 |
| 10 | 7211007000033 | "Rim back ""Freeride KTM""" | 1 |
| 11 | 72010073000 | RIM BAND 18" | 1 |
| 13 | 50310099000 | HEXAGON NUT M20X1,5 '98 | 1 |
| 14 | 70010084000 | CHAIN TENSIONER R/S 12 | 1 |
| 15 | 70010085044 | WHEEL SPINDLE REAR CPL. 12 | 1 |
| 16 | 70010160000 | BRAKE DISC REAR | 1 |
| 17 | 59009062016 | SPECIAL SCREW M6X16 WS=8 10.9 | 4 |
| 18 | 06923080003 | hex nut EN 1661 M8 WS13 | 4 |
| 19 | 0019080266S | COUNTER-SUNK SCREW ISA45 M8X26 | 4 |
| 20 | 7201005104830 | SPROCKET 48-T BLACK | x |
| 21 | 50310165118 | CHAIN 5/8X1/4" MX | 1 |
| 22 | 50310166000 | CONNECTING LINK F. 50310165118 | 1 |
| 23 | 78110090000 | RIM LOCK 2,15" | 1 |
| 24 | 77110090050 | NUT FOR WHEEL HOLDER | 1 |
| 98 | 70010015000 | REAR WHEEL REP. KIT | x |
| 99 | 00050000962 | SPOKE KIT REAR '18' | x |

157001010

49128

* NEW PART

X ON DEMAND



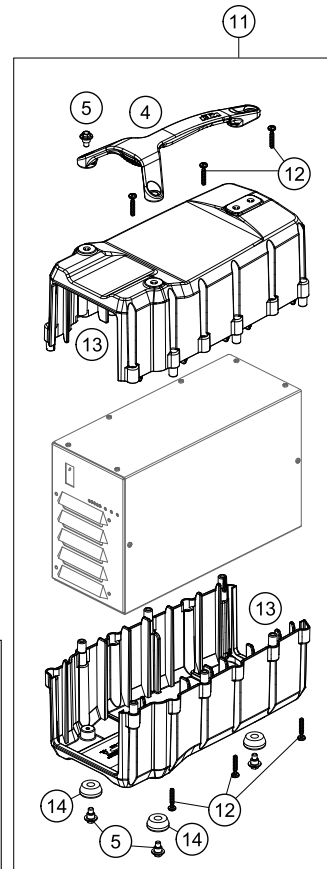
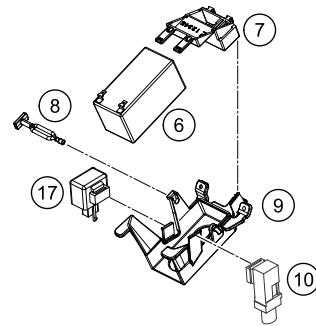
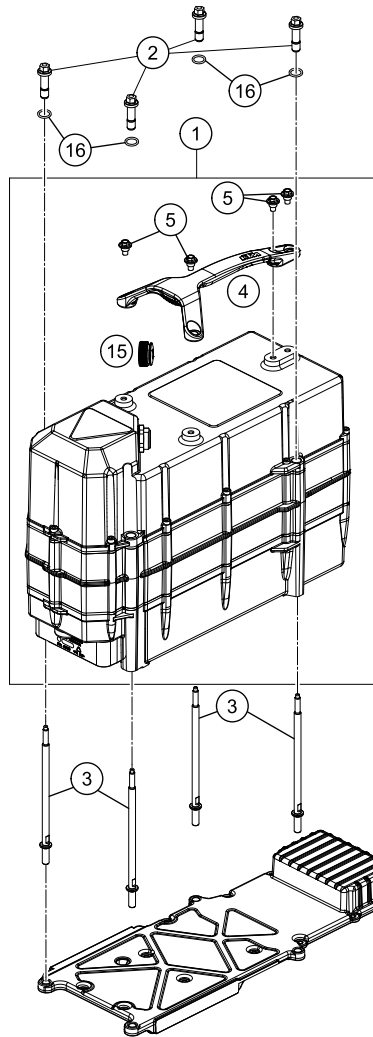
| POS | PARTNUMBER | PARTNAME | PIECE |
|-----|-------------|--|-------|
| 1 | 70111075044 | Main harness cpl. E-XC NB 18 | 1 |
| 2 | 0770220020 | o-ring 22.00x2.00 NBR70 | 6 |
| 3 | 0912050107 | AH SCREW DIN 0912 M5X10 | 5 |
| 4 | 0025060606 | HH collar screw M6x60 TX30 | 4 |
| 5 | 70029001005 | HV-PLUG COVER CAP | 1 |
| 6 | 44011076140 | CABLE TIE 140/2,5MM BLACK | x |
| 6 | 44011076200 | CABLE TIE 200/3,6MM BLACK | x |
| 6 | 44011076305 | CABLE TIE 300/4,8MM BLACK | x |
| 7 | 70045002100 | SEAL HV-PLUG | 1 |
| 8 | 70045061000 | SPEED SENSOR | 1 |
| 9 | 0458030080 | CYLIND.SCREW M3X8 ISO 14580 SS | 4 |
| 10 | 70045160050 | COVER SMALL ENGINE ELECTRONIC | 1 |
| 11 | 61111057000 | RELAY CM1A-R-12V-H80 07 | 1 |
| 12 | 0025050166 | HH collar screw M5x16 TX30 | 1 |
| 13 | 0125050003 | WASHER DIN0125-A 5,3 | 1 |
| 14 | 70045160100 | ENGINE ELECTRONIC ASSY | 1 |
| 15 | 50311060200 | DC HORN 12V 07 | 1 |
| 16 | 0024060156 | HH collar screw M6x15 TX30 | 1 |
| 17 | 77711083000 | SUPPORT BRACKET | 1 |
| 18 | 76511030000 | FLASHER UNIT | 1 |
| 19 | 72111080000 | Flasher harness front | 1 |
| 20 | 70011010000 | SNAP FERRITE | 1 |
| 21 | 78011061000 | HORN BRACKET EXC 08 | 1 |
| 22 | 0125050003 | WASHER DIN0125-A 5,3 | 1 |
| 23 | 0934050003 | HEXAGON NUT DIN0934-M 5 | 1 |
| 24 | 70045073050 | CONTACT PIN (SET) | 1 |
| 25* | 70145070044 | Engine harness O/B electrical system cmp | 1 |
| 26 | 70045073000 | WIRING HARNESS ECU | 1 |
| 27 | 49007439000 | CLAMP RSGU 15/12 | 1 |
| 28 | 0025050166 | HH collar screw M5x16 TX30 | 1 |
| 29 | 77714060050 | Distanzbüchse Tachohalterung | 2 |
| 30 | 72111081000 | Flasher harness rear | 1 |
| 31 | 58011109110 | FUSE 10 A 2000 | x |
| 31 | 58011109120 | FUSE 20 A | x |
| 32 | 58211031100 | BRACKET FOR FLASHER RELAY | 1 |

197011110

51028

* NEW PART

X ON DEMAND



| POS | PARTNUMBER | PARTNAME | PIECE |
|-----|---------------|-----------------------------|-------|
| 1 | 70145053000 | KTM PowerPack 3,9 kWh | 1 |
| 2 | 70045060060 | THREADED BUSH | 4 |
| 3 | 70045060050 | STUD M8 | 4 |
| 4 | 70045083000 | CARRYING HANDLE F. AKKU | 2 |
| 5 | 59001092050 | SPECIAL SCREW M6X12,5 WS=8 | 11 |
| 6 | 70011053000 | BATTERY 12V YUASA NP 1.2-12 | 1 |
| 7 | 58411087050 | RUBBERCOVER F.LOCKHOLDER | 1 |
| 8 | 75011054005 | BRACKET RUBBER FOR BATTERY | 1 |
| 9 | 70011094100 | ELECTRIC BOX | 1 |
| 10 | 61111057000 | RELAY CM1A-R-12V-H80 07 | 1 |
| 11 | 70029074000 | CHARGER ZE | 1 |
| 12 | 0016050253 | SCREW FOR PLASTIC 03 | 12 |
| 13 | 70029074050 | SHELL CHARGER | 2 |
| 14 | 70029074020 | STAND CHARGER | 3 |
| 15 | 000700000FX01 | CAP CHARGER PLUG FX | 1 |
| 16 | 07700900151 | O-RING 9x1,5 V80 SH | 4 |
| 17 | 76511030000 | FLASHER UNIT | 1 |

ACHTUNG!!!
 DAS POWERPACK DARF NUR AN EIGENTÜMER VON
 FREERIDE E MODELLEN VERKAUFT WERDEN!
 VORLAGE DER AUSLIEFERUNGURKUNDE NÖTIG!

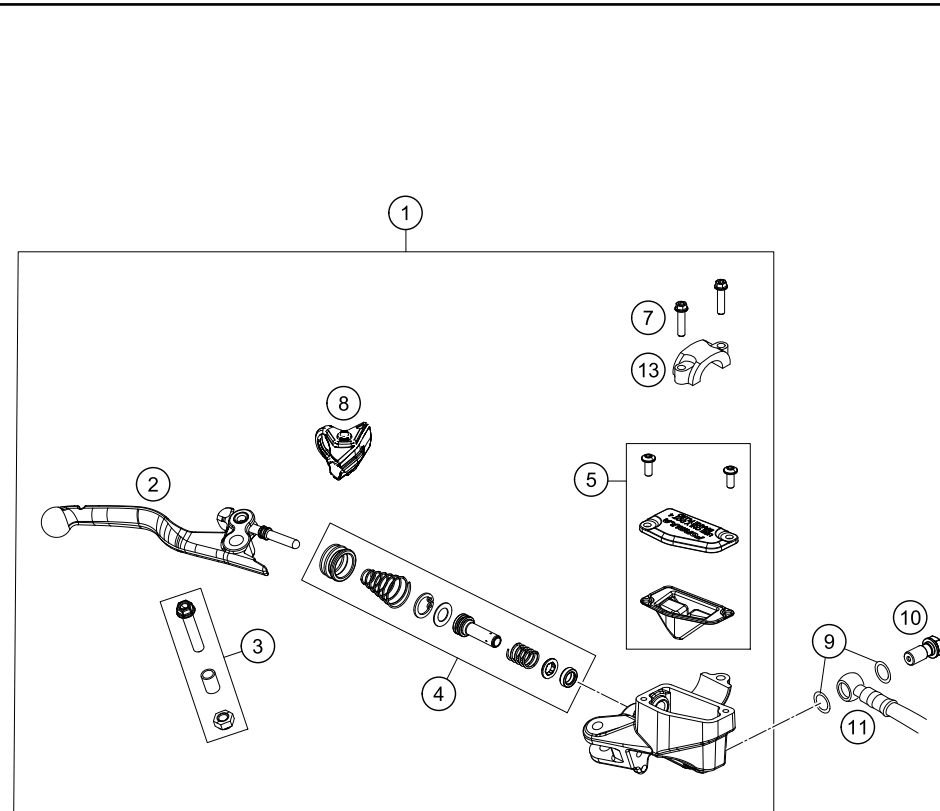
CAUTION!!!
 DO SELL THE KTM POWERPACK TO
 KTM FREERIDE E OWNERS ONLY!
 PRESENTATION OF THE
 DELIVERY CERTIFICATE IS OBLIGATORY!

157001131

49167

* NEW PART

X ON DEMAND



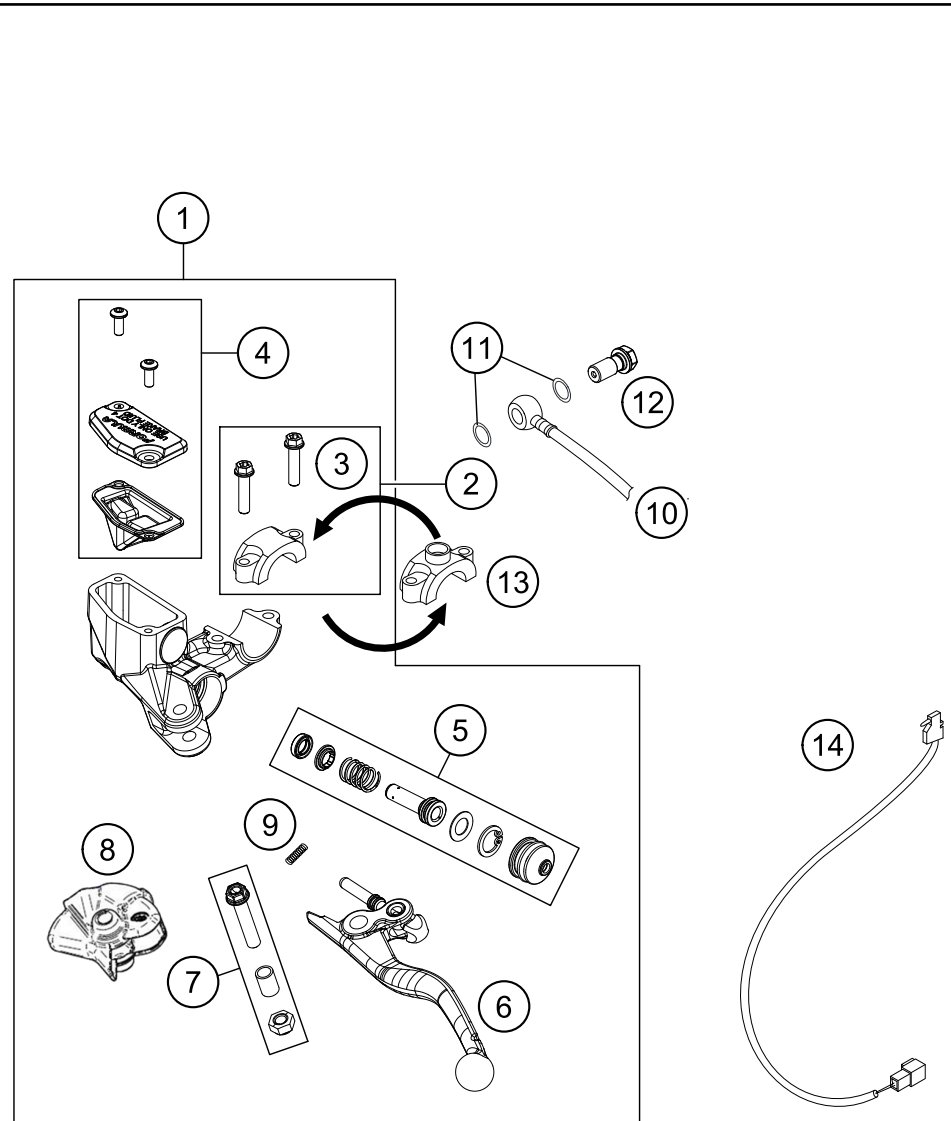
| POS | PARTNUMBER | PARTNAME | PIECE |
|-----|-------------|--------------------------------|-------|
| 1 | 70013001100 | HAND BRAKE CYLINDER CPL. 10MM | 1 |
| 2 | 72013002000 | LEVER CPL. | 1 |
| 3 | 70002038000 | LEVER SCREW CPL. | 1 |
| 4 | 72013008000 | REP. SET PISTON 10MM | 1 |
| 5 | 70013003000 | COVER HAND BRAKE CYLINDER CPL. | 1 |
| 7 | 0025060256 | HH collar screw M6x25 TX30 | 2 |
| 8 | 70013004000 | MUDCOVER HANDBRAKE LEVER | 1 |
| 9 | 0770080019 | O-RING 8,00X1,00 FORMULA | 2 |
| 10 | 47013025000 | HOLLOW SCREW BRAKE CYLINDER 03 | 1 |
| 11 | 72113010000 | Brake hose front | 1 |
| 12 | 50311050100 | BRAKE LIGHT SWITCH FRONT 2002 | 1 |
| 13 | 72013005000 | CLAMP | x |
| 15 | 00062030000 | BRAKE FLUID DOT5.1 0,25L | 1 |

157251310

49165

* NEW PART

X ON DEMAND



| POS | PARTNUMBER | PARTNAME | PIECE |
|-----|-------------|--------------------------------|-------|
| 1 | 70013001200 | HAND BRAKE CYLINDER CPL. | 1 |
| 2 | 72013005000 | CLAMP | 1 |
| 3 | 0025060256 | HH collar screw M6x25 TX30 | 2 |
| 4 | 72002003000 | COVER F. MASTER CYLINDER CPL. | 1 |
| 5 | 70013008000 | REP. KIT PISTON | 1 |
| 6 | 72013002000 | LEVER CPL. | 1 |
| 7 | 70002038000 | LEVER SCREW CPL. | 1 |
| 8 | 72002037000 | MUDCOVER CLUTCH LEVER | 1 |
| 9 | 72002035000 | SPRING FOR CLUTCH LEVER | 1 |
| 10 | 70013071000 | BRAKE HOSE REAR L=XXXMM 12 | 1 |
| 11 | 0770080019 | O-RING 8,00X1,00 FORMULA | 2 |
| 12 | 47013025000 | HOLLOW SCREW BRAKE CYLINDER 03 | 1 |
| 13 | 58012040150 | CLAMP FOR MIRROR '94 | 1 |
| 14 | 70011050000 | BRAKE LIGHT SWITCH FRONT L/S | 1 |

157001331

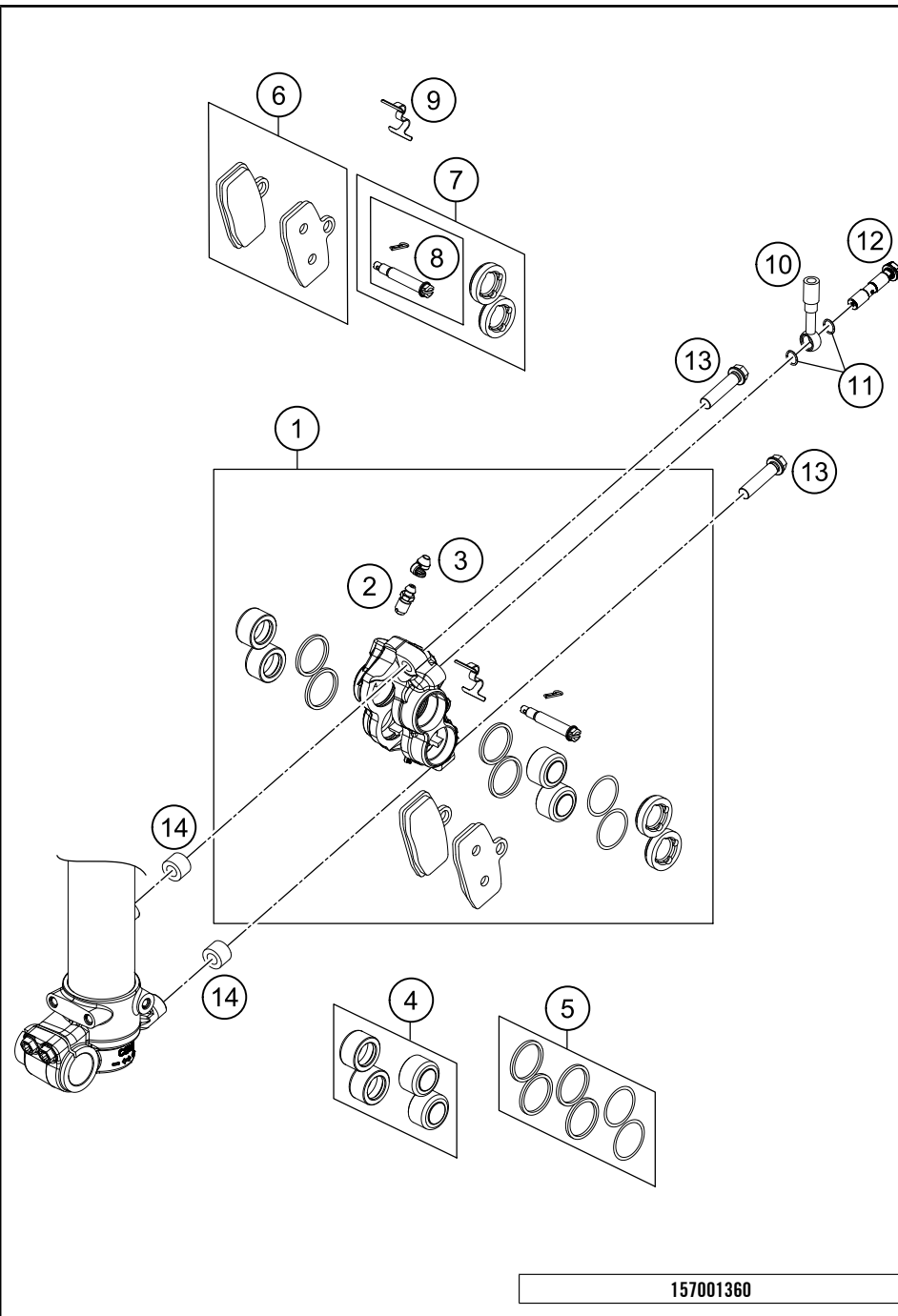
49051

* NEW PART

X ON DEMAND

FRONT BRAKE CALIPER

Freeride E-XC 2019 EU 2019



| POS | PARTNUMBER | PARTNAME | PIECE |
|-----|-------------|--------------------------------|-------|
| 1 | 72113015000 | Brake caliper cpl. | 1 |
| 2 | 47013020000 | BLEEDER SCREW M6 | 1 |
| 3 | 47013021000 | CAP FOR BLEEDER SCREW | 1 |
| 4 | 47013019000 | REPAIR KIT BRAKEPISTON | 1 |
| 5 | 47013022000 | REP. KIT SEALS | 1 |
| 6 | 70013030000 | BRAKE PADS FRONT 12 | 1 |
| 7 | 47013023000 | PISTONCOVER 85SX 2012 | 1 |
| 8 | 47013030050 | PIN BRAKE PAD CPL. 2012 | 1 |
| 9 | 47013018100 | RETAINING SPRING FRONT 85SX | 1 |
| 10 | 72113010000 | Brake hose front | 1 |
| 11 | 0770080019 | O-RING 8,00X1,00 FORMULA | 2 |
| 12 | 47013025000 | HOLLOW SCREW BRAKE CYLINDER 03 | 1 |
| 13 | 0025080456S | HH COLLAR SCREW M8X45 ISA40 | 2 |
| 14 | 70013098150 | DISTANCE SLEEVE 8,1X15X20,5MM | 2 |

157001360

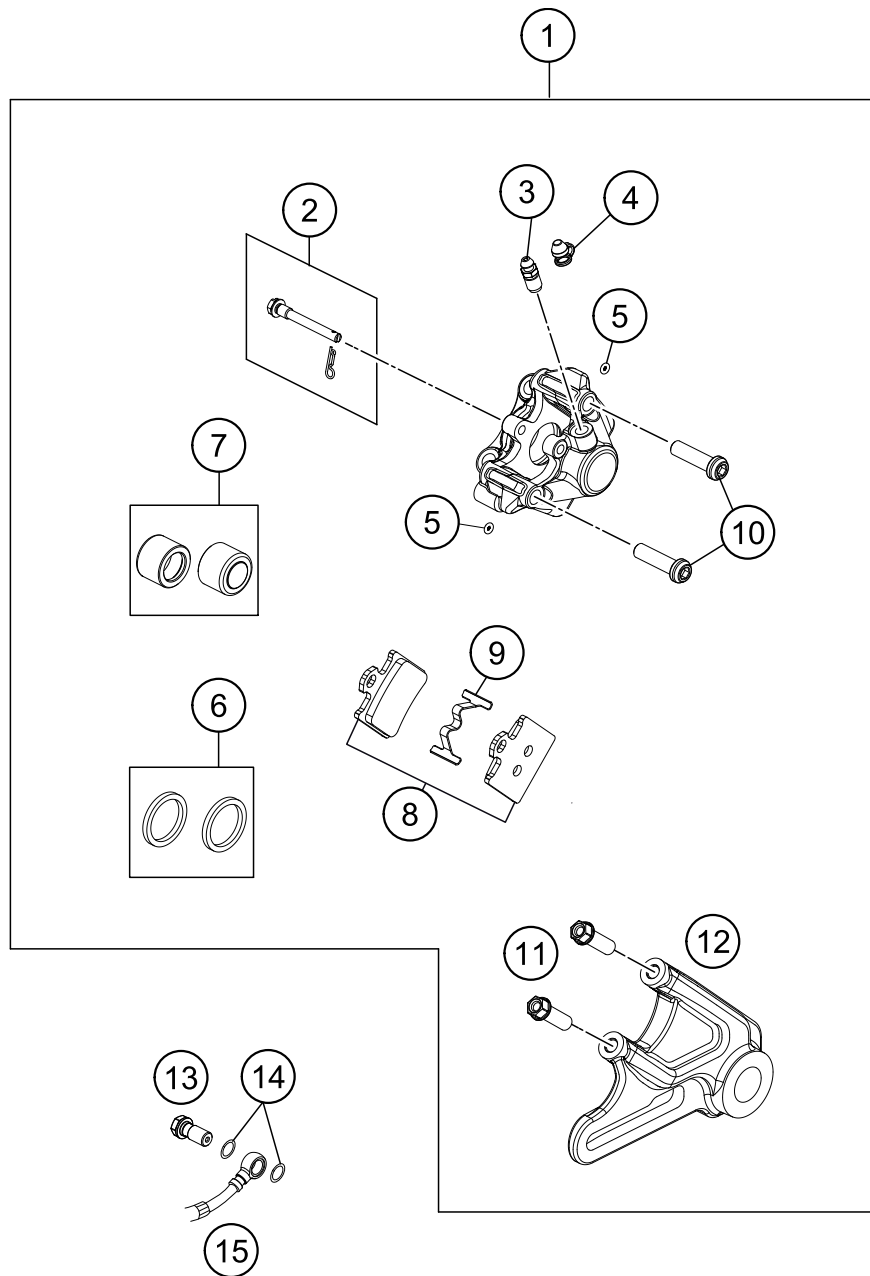
49166

* NEW PART

X ON DEMAND

REAR BRAKE CALIPER

Freeride E-XC 2019 EU 2019



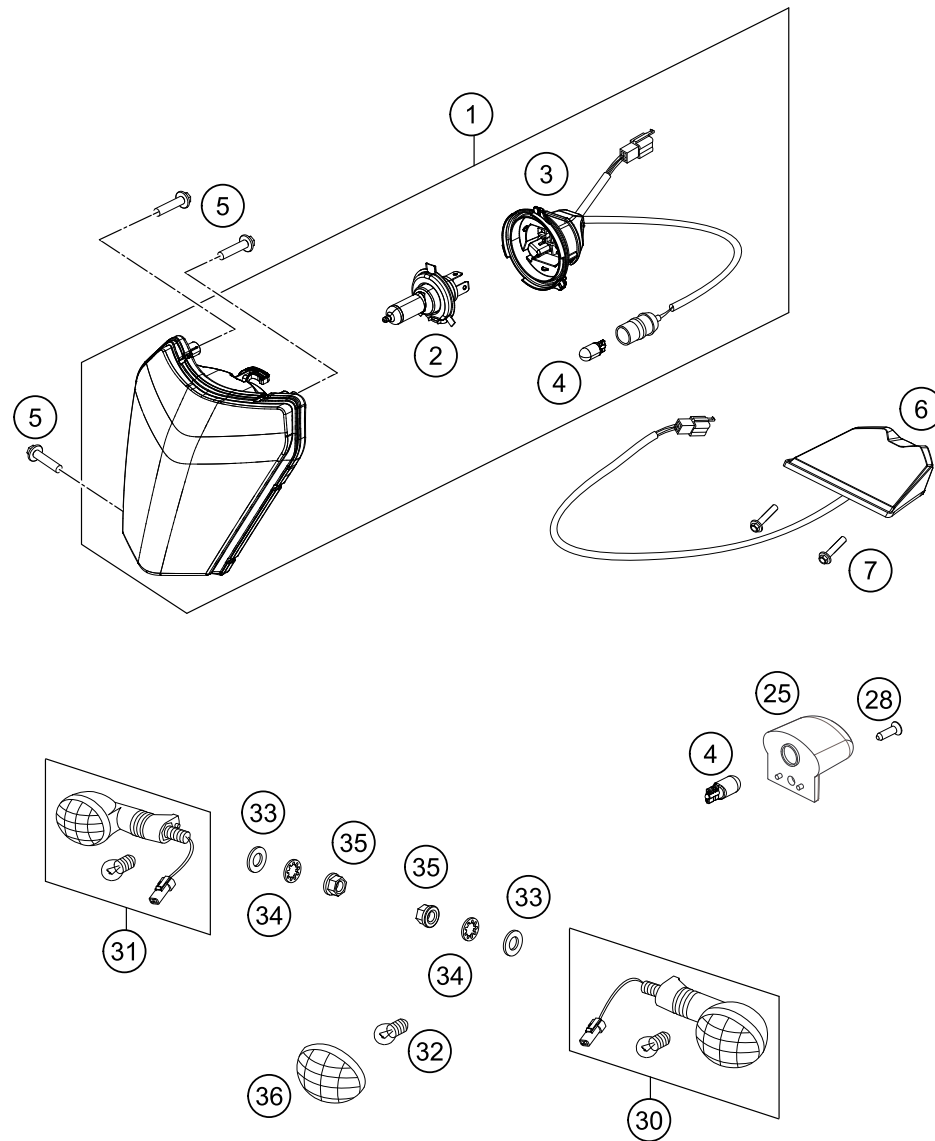
| POS | PARTNUMBER | PARTNAME | PIECE |
|-----|-------------|--------------------------------|-------|
| 1 | 47213080000 | Caliper rear cpl. 85 TC/SX 18 | 1 |
| 2 | 47013092000 | SPECIAL SCREW WITH SPLINT PIN | 1 |
| 3 | 47013085000 | BLEEDER SCREW M8X1 | 1 |
| 4 | 47013021000 | CAP FOR BLEEDER SCREW | 1 |
| 5 | 07700257178 | O-RING 2,57X1,78 | 2 |
| 6 | 47213081000 | Repair kit seal ring 22mm | 1 |
| 7 | 47213083000 | Repair kit brakepiston 22mm | 1 |
| 8 | 47013090300 | BRAKE PADS REAR 85 SX 2011 | 1 |
| 9 | 47013018000 | RETAINING SPRING 85 SX 2011 | 1 |
| 10 | 47013084000 | SPECIAL SCREW CALIPER M8X30 | 2 |
| 11 | 0025080256 | HH collar screw M8x25 | 2 |
| 12 | 47013075000 | BRAKE CALIPER SUPPORT CPL. | 1 |
| 13 | 47013025000 | HOLLOW SCREW BRAKE CYLINDER 03 | 1 |
| 14 | 0770080019 | O-RING 8,00X1,00 FORMULA | 2 |
| 15 | 70013071000 | BRAKE HOSE REAR L=XXXMM 12 | 1 |

184721390

49212

* NEW PART

X ON DEMAND



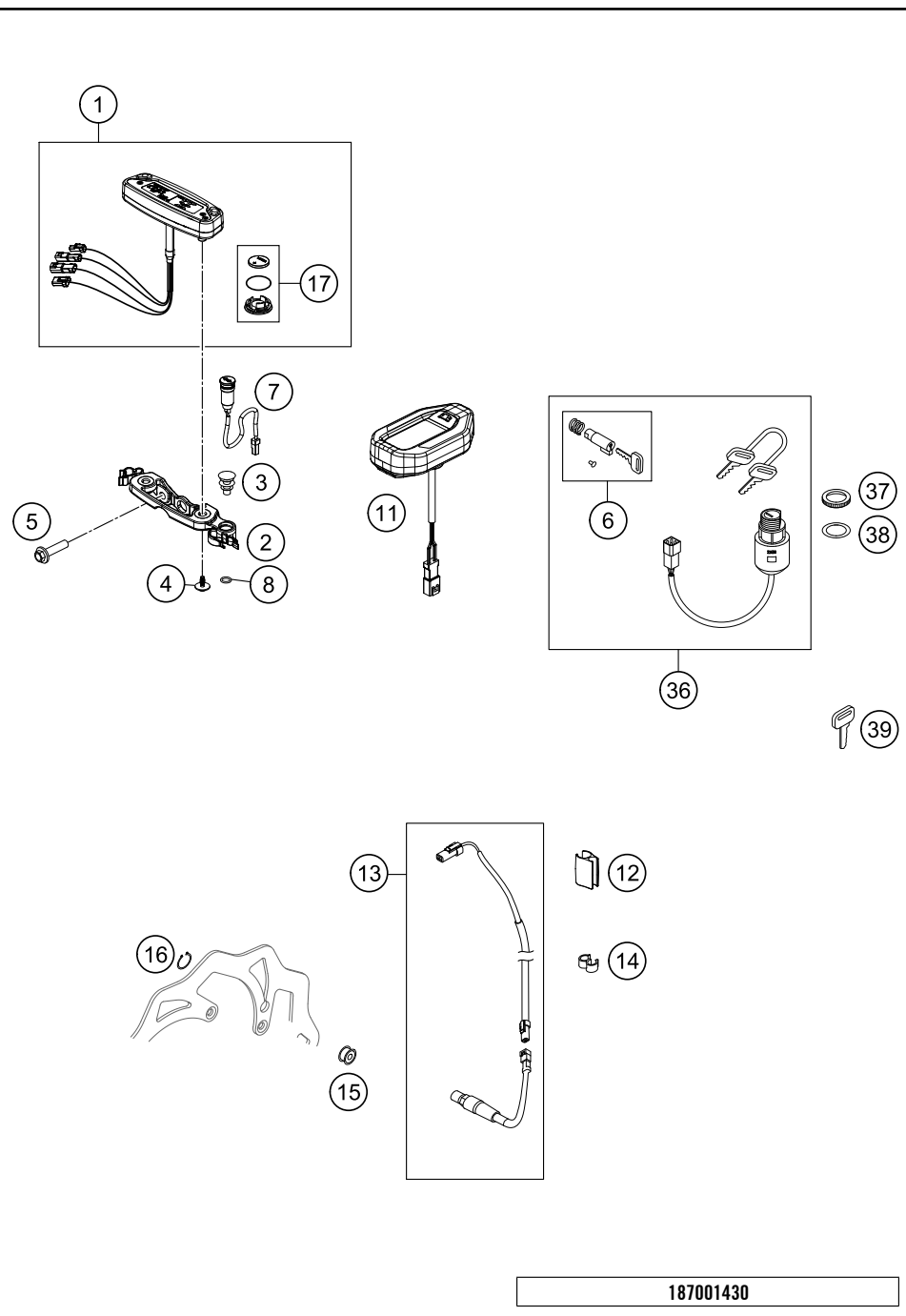
| POS | PARTNUMBER | PARTNAME | PIECE |
|-----|-------------|-------------------------------|-------|
| 1 | 78114001000 | HEAD LIGHT CPL. 2013 | 1 |
| 2 | 54611038012 | BULB HS1 12V 35/35W WHITE | 1 |
| 3 | 78114001050 | LAMP BRACKET CPL. 2014 | 1 |
| 4 | 49011435100 | BULB 12V 5W (W2,1X9,5D) PHIL. | 2 |
| 5 | 0081050181 | SCREW FOR PLASTIC K50X18 T20 | 3 |
| 6 | 78114040000 | REAR LIGHT | 1 |
| 7 | 0017060255 | EJOT PT SCREW K60X25-Z SW6 | 2 |
| 25 | 75014047100 | Number plate light | 1 |
| 28 | 0081250181 | SCREW FOR PLASTIC 50X18 T20 | 1 |
| 30 | 54814025200 | FLASHER CPL. FR.L/S RE.R/S 09 | 2 |
| 31 | 54814026200 | FLASHER CPL. FR.R/S RE.L/S 09 | 2 |
| 32 | 44111015100 | BULB 12V 10W (BA15S) | 4 |
| 33 | 0125100003 | washer DIN 125 A 10.5 | 4 |
| 34 | 0797100003 | LOCK WASHER DIN6797-J10,5 ZI | 4 |
| 35 | 58414030000 | HH COLLAR NUT M10X1,25 WS=13 | 4 |
| 36 | 54814028000 | FLASHER LENS L/S R/S 05 | 4 |

187001411

49216

* NEW PART

X ON DEMAND

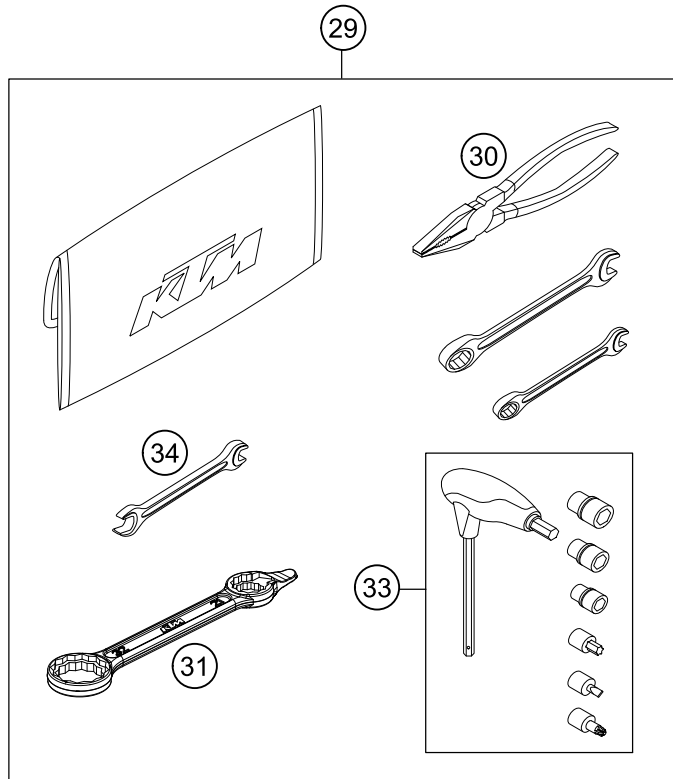


| POS | PARTNUMBER | PARTNAME | PIECE |
|-----|-------------|---------------------------------|-------|
| 1 | 77714069600 | Speedometer digital km/h f. 21" | 1 |
| 2 | 77714060000 | SPEEDOMETER BRACKET EXC/XCW 14 | 1 |
| 3 | 50210086000 | COVERING CAP SFL16 | 1 |
| 4 | 0081645121 | EJOT DELTA PT SCREW 45X12-Z | 2 |
| 5 | 0025060206 | HH collar screw M6x20 TX30 | 2 |
| 6 | 78003035000 | STEERING HEAD LOCK 08 | 1 |
| 7 | 58011024300 | FLASHER INDICAT.LIGHT GREEN'98 | 1 |
| 8 | 0770080015 | O-RING 8,00X1,5 NBR 70 | 1 |
| 11 | 70045090000 | BATTERY CHARGING-LEVEL CONTROL | 1 |
| 12 | 54813026000 | CABLE SUPPORT 10/6MM 06 | 1 |
| 13 | 54814068100 | CABLE FOR DIGITAL SPEEDOM. 06 | 1 |
| 14 | 60111094000 | CLIP 5/7 MM 06 | 1 |
| 15 | 81314069050 | MAGNET FOR SPEEDOMETER | 1 |
| 16 | 0471009104 | CIRCLIP DIN0471- 9X1 INOX | 1 |
| 17 | 81314069010 | BATTERY COVER F. SPEEDOMETER | 1 |
| 36 | 70011066044 | LOCK SYSTEM | 1 |
| 37 | 50311066050 | IGNITION LOCK NUT M24X1 | 1 |
| 38 | 58411066450 | WASHER F. IGNITION LOCK 03 | 1 |
| 39 | 40011166200 | KEY BLANK BLACK "T" GRIP | x |

49213 * NEW PART X ON DEMAND

0
OHNE ABBILDUNG
WITHOUT ILLUSTRATION

1
TECHNISCHE DOKUMENTATION
TECHNICAL DOCUMENTATION
DOCUMENTACION TECNICA
DOCUMENTATION TECHNIQUE
NOTE TECNICHE



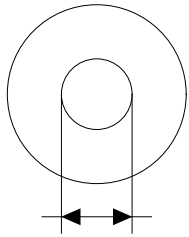
157002000

| POS | PARTNUMBER | PARTNAME | PIECE |
|-----|---------------|--|-------|
| 0 | 58412080400 | Rear reflector red | 1 |
| 0 | 58012040000 | REAR MIRROR L/S | 1 |
| 0 | 58012140000 | REAR MIRROR R/S | 1 |
| 0 | 58412040050 | SUPPORT FOR MIRROR LC4 '98 | 2 |
| 0 | 58012040150 | CLAMP FOR MIRROR '94 | 2 |
| 0 | 0019080206S | FLAT HEAD SCREW M. ISA45 M8X20 | 1 |
| 0 | 58412080300 | REFLECTOR YELLOW "CEV" | 2 |
| 0 | 83008000012 | special screw M6x12x3 | 1 |
| 0 | 70045002100 | SEAL HV-PLUG | 2 |
| 0 | 70045153100 | POWER PACK | 1 |
| 0 | 70112099000 | Freeride-E NB turn signal accessory pack | 1 |
| 0 | 70008016050 | NUMBER PLATE CARRIER BOTTOM | 1 |
| 0 | 312305 | DOCUMENTS BAG 2006 | 1 |
| 0 | 3210917 | NOTEPAD | 1 |
| 0 | 312313 | KTM BALLPOINT PEN ORANGE | 1 |
| 0 | 00063004202 | PRINT LABEL 60X51 MM | 2 |
| 0 | 78003040033 | FOOTREST L/S + R/S CPL. 09 | 1 |
| 0 | 70011053000 | BATTERY 12V YUASA NP 1.2-12 | 1 |
| 0 | 77202002144 | BAR PAD CPL. | 1 |
| 0 | 0014050253 | HH COLLAR SCREW M 5X25 WS=6 | 2 |
| 0 | 0014050353 | HH COLLAR SCREW M5X35 SW=6 | 2 |
| 0 | 3213212EN | RESCUE CARD | 1 |
| 0 | 70008092000 | DECAL SET FORK WP | 1 |
| 0 | 72102979000EB | Handguard kit | 1 |
| 1 | 3213761EN | Owner's Manual KTM Freeride E-XC NG 2018 | 1 |
| 29 | 54829099100 | TOOL KIT 2012 | 1 |
| 30 | 53012028200 | GRIP ORANGE B&F | 1 |
| 31 | 50329080100 | WRENCH SW=17/21/27/32 B&F | 1 |
| 33 | 60029070300 | T-WRENCH WS=6/8/10/TX45/SK4X1 | 1 |
| 34 | 50329072000 | SPOKE-SPANNER WS 7/10 | 1 |

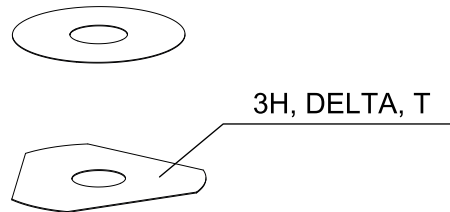
49215

* NEW PART

X ON DEMAND



- ⑤ Ø 5 mm
- ⑥ Ø 6 mm
- ⑧ Ø 8 mm
- ⑩ Ø 10 mm
- ⑫ Ø 12 mm
- ⑭ Ø 14-14,5 mm
- ⑯ Ø 16 mm
- ⑳ Ø 20 mm
- ㉑ Ø 21 mm
- ㉒ Ø 22 mm
- ㉓ Ø 23 mm
- ㉔ Ø 24,5 mm
- ㉘ Ø 28,5 mm
- ㉚ Ø 32 mm
- ㉜ Ø 52 mm



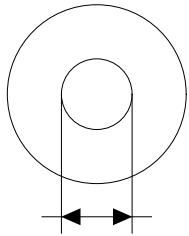
| POS | PARTNUMBER | PARTNAME | PIECE |
|-----|------------|-----------------|-------|
| 5 | 44906890 | WASHER 5X15X2 | X |
| 6 | 40540400 | SHIM 6X12X0,1 | X |
| 6 | 40540401 | Shim 6x14x0,10 | X |
| 6 | 40540402 | Shim 6x16x0,10 | X |
| 6 | 40540403 | Shim 6x18x0,10 | X |
| 6 | 40540404 | Shim 6x12x0,15 | X |
| 6 | 40540405 | Shim 6x14x0,15 | X |
| 6 | 40540406 | Shim 6x16x0,15 | X |
| 6 | 40540407 | SHIM 6X18X0,15 | X |
| 6 | 40540408 | SHIM 6X12X0,2 | X |
| 6 | 40540409 | SHIM 6X14X0,2 | X |
| 6 | 40540410 | Shim 6x16x0,20 | X |
| 6 | 40540411 | SHIM 6X18X0,2 | X |
| 6 | 48600095 | SHIM 6X20X0,20 | X |
| 6 | 40540412 | Shim 6x12x0,25 | X |
| 6 | 40540413 | Shim 6x14x0,25 | X |
| 6 | 40540414 | Shim 6x16x0,25 | X |
| 6 | 40540415 | Shim 6x18x0,25 | X |
| 6 | 40540417 | SHIM 6X8,5X0,10 | X |
| 6 | 40540418 | SHIM 6X9X0,10 | X |
| 6 | 40540419 | SHIM 6X9,5X0,10 | X |
| 6 | 40540423 | SHIM 6X9,5X0,15 | X |
| 6 | 40540425 | SHIM 6X8,5X0,20 | X |
| 6 | 40540426 | SHIM 6X9X0,20 | X |
| 6 | 40540427 | SHIM 6X9,5X0,20 | X |
| 6 | 40540447 | Shim 6x10x0,30 | X |
| 6 | 40540449 | Shim 6x9x0,30 | X |
| 6 | 40540450 | Shim 6x9,5x0,30 | X |
| 6 | 40540494 | Shim 6x18x0,40 | X |
| 6 | 40540774 | Shim 6x18x0,10 | X |
| 6 | 40541383 | SHIM 6X11X0,1 | X |
| 6 | 40541391 | SHIM 6X11X0,3 | X |
| 6 | 40541402 | SHIM 6X11X0,2 | X |
| 6 | 40541403 | SHIM 6X10X0,20 | X |
| 6 | 40541404 | SHIM 6X10X0,1 | X |
| 6 | 40541405 | Shim 6x10x0,15 | X |
| 6 | 40541406 | SHIM 6X11X0,15 | X |
| 6 | 40541408 | SHIM 6X8,0X0,30 | X |

080000190

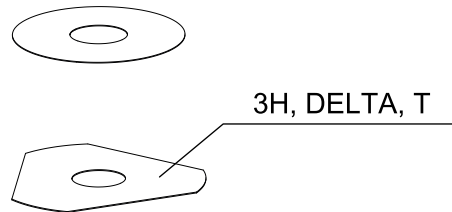
4668

* NEW PART

X ON DEMAND



- ⑤ Ø 5 mm
- ⑥ Ø 6 mm
- ⑧ Ø 8 mm
- ⑩ Ø 10 mm
- ⑫ Ø 12 mm
- ⑭ Ø 14-14,5 mm
- ⑯ Ø 16 mm
- ⑰ Ø 20 mm
- ⑱ Ø 21 mm
- ⑳ Ø 22 mm
- ㉑ Ø 23 mm
- ㉒ Ø 24,5 mm
- ㉔ Ø 28,5 mm
- ㉖ Ø 32 mm
- ㉘ Ø 52 mm



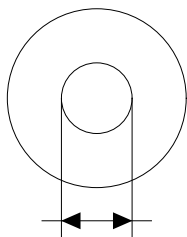
| POS | PARTNUMBER | PARTNAME | PIECE |
|-----|------------|----------------------|-------|
| 6 | 40541414 | SHIM 6X8,0X0,10 | X |
| 6 | 40541416 | SHIM 6X8X0,3 | X |
| 6 | 40541417 | SHIM 6X11X0,25 | X |
| 6 | 48600102 | SHIM 6X24X0,25 | X |
| 6 | 48600063 | Shim 6x24x0,10 | X |
| 6 | 48600064 | Shim 6x22x0,10 | X |
| 6 | 48600065 | Shim 6x20x0,10 | X |
| 6 | 48600069 | Shim 6x20x0,15 | X |
| 6 | 48600100 | Shim 6x24x0,15 | X |
| 6 | 48600116 | Shim 6x24x0,10 delta | X |
| 6 | 48600139 | Shim 6x22x0,1 delta | X |
| 6 | 48600217 | BACKPLATE 6X10X0,25 | X |
| 6 | 48600325 | SHIM 6X13X0,1 | X |
| 6 | 48600327 | SHIM 6X15X0,1 | X |
| 6 | 48600329 | SHIM 6X17X0,1 | X |
| 6 | 48600331 | SHIM 6X19X0,1 | X |
| 6 | 48600096 | Shim 6x20x0,25 | X |
| 6 | 48600097 | Shim 6x22x0,15 | X |
| 6 | 48600099 | Shim 6x22x0,25 | X |
| 6 | 40540448 | BACKPLATE 6X8,5X0,30 | X |
| 6 | 48600479 | Shim 6x20x0,10 DELTA | X |
| 6 | 48600332 | SHIM 6X21X0,1 | X |
| 6 | 48600333 | SHIM 6X23X0,1 | X |
| 6 | 40541393 | Shim 6x12x0,30 | X |
| 6 | 48600330 | SHIM 6X17X0,15 | X |
| 6 | 48600988 | Shim 6x28x0,10 | X |
| 6 | 48600989 | Shim 6x26x0,10 | X |
| 6 | 48601091 | Shim 6x28x0,15 | X |
| 6 | 48601093 | Shim 6x26x0,15 | X |
| 6 | 48600328 | Shim 6x15x0,15 | X |
| 6 | 48600326 | Shim 6x13x0,15 | X |
| 6 | 48601548 | Shim 6x17x1,5 | X |
| 6 | 48601693 | Washer 6x18x3 | X |
| 6 | 48600098 | Shim 6x22x0,20 | X |
| 6 | 48601300 | Washer 6x25x1,5 | X |
| 6 | 48601692 | Shim 6x30x0,15 | X |
| 6 | 48601550 | Shim 6x30x0,10 | X |
| 6 | 40541392 | SHIM 6X8X0,20 | X |

080000190

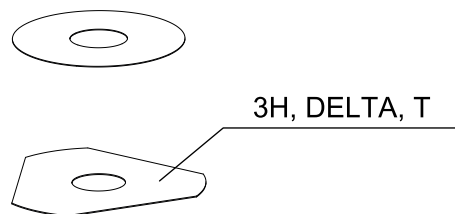
4668

* NEW PART

X ON DEMAND



- ⑤ Ø 5 mm
- ⑥ Ø 6 mm
- ⑧ Ø 8 mm
- ⑩ Ø 10 mm
- ⑫ Ø 12 mm
- ⑭ Ø 14-14,5 mm
- ⑯ Ø 16 mm
- ⑰ Ø 20 mm
- ⑱ Ø 21 mm
- ⑳ Ø 22 mm
- ㉑ Ø 23 mm
- ㉒ Ø 24,5 mm
- ㉔ Ø 28,5 mm
- ㉖ Ø 32 mm
- ㉘ Ø 52 mm



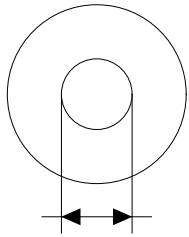
| POS | PARTNUMBER | PARTNAME | PIECE |
|-----|------------|-----------------------------|-------|
| 6 | 50180009 | DISTANCER PLATE 16X23X0,10 | X |
| 6 | 48601917 | Washer 6x25x4 | X |
| 6 | 48601916 | Washer 6x18x4 | X |
| 6 | 40540399 | Shim 6x16x0,30 | X |
| 6 | 48601584 | Shim 6x30x0,4 spring shim | X |
| 6 | 48601459 | Washer check valve 6x31x0,4 | X |
| 6 | 48601849 | Check valve plate 2,5mm hub | X |
| 6 | 48600101 | SHIM 6X24X0,20 | X |
| 6 | 48601094 | Shim 6x26x0,20 | X |
| 6 | 40540422 | Shim 6X9X0,15 | X |
| 8 | 40540477 | SHIM 8X18X0,4 | X |
| 8 | 43570120 | Shim 8x18x0,10 | X |
| 8 | 44916098 | WASHER 8,4X16X0,8 | X |
| 8 | 44916130 | WASHER 8,2X15X1 | X |
| 8 | 44916180 | WASHER 8,2X11X1 | X |
| 8 | 48600214 | Shim 8x16x0,10 | X |
| 8 | 48600385 | SHIM 8x14x0,25 | X |
| 8 | 48600346 | Shim 8x11x0,20 | X |
| 8 | 48600215 | CHECK VALVE 8X20X0,1 | X |
| 8 | 48600485 | SHIM 8X10X0,10 | X |
| 8 | 48601402 | SHIM 8X13X0,10 | X |
| 8 | 48600350 | Shim 8x16x0,15 | X |
| 8 | 48600061 | CHECK VALVE 8X24X0,4 | X |
| 8 | 48600062 | CHECK VALVE 8X24X0,1 | X |
| 8 | 48600216 | CHECK VALVE 8X22X0,1 | X |
| 8 | 48600480 | Shim 8x10x0,20 | X |
| 8 | 48600555 | SHIM 8X16X0,20 | X |
| 8 | 48600213 | SHIM 8X14X0,10 | X |
| 8 | 48600357 | CHECK VALVE 8X11X0,1 | X |
| 8 | 48600351 | CHECK VALVE 8X12X0,1 | X |
| 8 | 48600607 | Shim 8x20x0,40 | X |
| 8 | 48601095 | Shim 8x17x0,10 | X |
| 8 | 48600352 | CHECK VALVE 8X11X0,4 | X |
| 8 | 48601860 | Washer 8x11x0,15 | X |
| 10 | 36120284 | SHIM 10X16X0,10 | X |
| 10 | 36120298 | SHIM 10X16X0,2 | X |
| 10 | 36120312 | SHIM 10X16X0,30 | X |
| 10 | 36120314 | SHIM 10X18X0,30 | X |

080000190

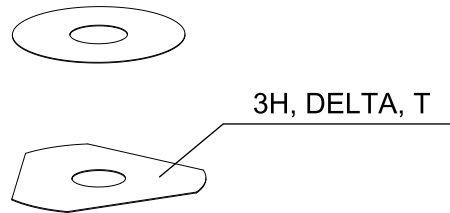
4668

* NEW PART

X ON DEMAND



- ⑤ Ø 5 mm
- ⑥ Ø 6 mm
- ⑧ Ø 8 mm
- ⑩ Ø 10 mm
- ⑫ Ø 12 mm
- ⑭ Ø 14-14,5 mm
- ⑯ Ø 16 mm
- ⑳ Ø 20 mm
- ㉑ Ø 21 mm
- ㉒ Ø 22 mm
- ㉓ Ø 23 mm
- ㉔ Ø 24,5 mm
- ㉘ Ø 28,5 mm
- ㉚ Ø 32 mm
- ㉜ Ø 52 mm



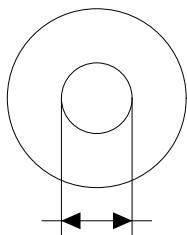
| POS | PARTNUMBER | PARTNAME | PIECE |
|-----|------------|-------------------|-------|
| 10 | 36120325 | SHIM 10X19X0,15 | X |
| 10 | 36120327 | SHIM 10X23X0,15 | X |
| 10 | 36120328 | SHIM 10X25X0,15 | X |
| 10 | 36120329 | SHIM 10X27X0,15 | X |
| 10 | 36120330 | SHIM 10X29X0,15 | X |
| 10 | 36120331 | SHIM 10X31X0,15 | X |
| 10 | 36120332 | SHIM 10X33X0,15 | X |
| 10 | 36120334 | SHIM 10X21X0,20 | X |
| 10 | 36120335 | SHIM 10X23X0,20 | X |
| 10 | 36120336 | SHIM 10X25X0,20 | X |
| 10 | 36120337 | SHIM 10X27X0,20 | X |
| 10 | 36120338 | SHIM 10X29X0,20 | X |
| 10 | 36120339 | SHIM 10X31X0,20 | X |
| 10 | 36120340 | SHIM 10X33X0,20 | X |
| 10 | 36120342 | SHIM 10X21X0,25 | X |
| 10 | 36120343 | SHIM 10X23X0,25 | X |
| 10 | 36120344 | SHIM 10X25X0,25 | X |
| 10 | 36120345 | SHIM 10X27X0,25 | X |
| 10 | 36120349 | SHIM 10X19X0,30 | X |
| 10 | 36120350 | SHIM 10X21X0,30 | X |
| 10 | 36120313 | SHIM 10X17X0,30 | X |
| 10 | 36120354 | SHIM 10X29X0,30 | X |
| 10 | 40140275 | WASHER 10X35X0,15 | X |
| 10 | 48601708 | Shim 10x30x0,40 | X |
| 10 | 36120346 | SHIM 10X29X0,25 | X |
| 10 | 36120355 | SHIM 10X31X0,30 | X |
| 10 | 36120348 | SHIM 10X33X0,25 | X |
| 10 | 36120604 | SHIM D10XD22X2,5 | X |
| 12 | 46810490 | SHIM 12X24X0,20 | X |
| 12 | 46810491 | Shim 12x26x0,20 | X |
| 12 | 46810492 | Shim 12x28x0,20 | X |
| 12 | 46810493 | SHIM 12X30X0,20 | X |
| 12 | 46810494 | Shim 12x32x0,20 | X |
| 12 | 46810495 | Shim 12x34x0,20 | X |
| 12 | 46810496 | SHIM 12X36X0,20 | X |
| 12 | 46810497 | SHIM 12X38X0,20 | X |
| 12 | 46810498 | Shim 12x40x0,20 | X |
| 12 | 46810499 | Shim 12x24x0,25 | X |

080000190

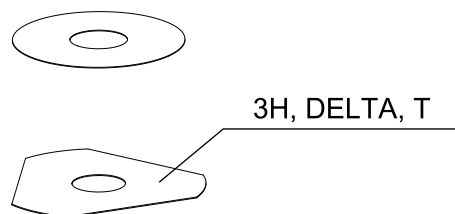
4668

* NEW PART

X ON DEMAND



- ⑤ Ø 5 mm
- ⑥ Ø 6 mm
- ⑧ Ø 8 mm
- ⑩ Ø 10 mm
- ⑫ Ø 12 mm
- ⑭ Ø 14-14,5 mm
- ⑯ Ø 16 mm
- ⑰ Ø 20 mm
- ⑱ Ø 21 mm
- ⑳ Ø 22 mm
- ㉑ Ø 23 mm
- ㉒ Ø 24,5 mm
- ㉔ Ø 28,5 mm
- ㉖ Ø 32 mm
- ㉘ Ø 52 mm



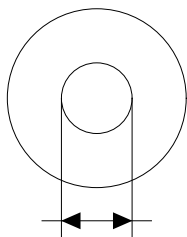
| POS | PARTNUMBER | PARTNAME | PIECE |
|-----|------------|----------------------|-------|
| 12 | 46810500 | SHIM 12X26X0,25 | X |
| 12 | 46810501 | SHIM 12X28X0,25 | X |
| 12 | 46810502 | Shim 12x30x0,25 | X |
| 12 | 46810504 | SHIM 12X34X0,25 | X |
| 12 | 46810505 | SHIM 12X36X0,25 | X |
| 12 | 46810507 | Shim 12x40x0,25 | X |
| 12 | 46810508 | SHIM 12X24X0,30 | X |
| 12 | 46810509 | SHIM 12X26X0,30 | X |
| 12 | 46810510 | SHIM 12X28X0,30 | X |
| 12 | 46810512 | SHIM 12X32X0,30 | X |
| 12 | 46810513 | SHIM 12X34X0,30 | X |
| 12 | 46810518 | SHIM 12X26X0,15 | X |
| 12 | 46810519 | SHIM 12X28X0,15 | X |
| 12 | 46810520 | SHIM 12X30X0,15 | X |
| 12 | 46810521 | SHIM 12X32X0,15 | X |
| 12 | 46810522 | SHIM 12X34X0,15 | X |
| 12 | 46810523 | SHIM 12X36X0,15 | X |
| 12 | 46810524 | SHIM 12X38X0,15 | X |
| 12 | 46810525 | SHIM 12X40X0,15 | X |
| 12 | 46810604 | SHIM 12X20X0,10 | X |
| 12 | 46810606 | SHIM 12X22X0,10 | X |
| 12 | 46810607 | SHIM 12X23X0,10 | X |
| 12 | 46810608 | SHIM 12X24X0,10 | X |
| 12 | 46810610 | SHIM 12X27X0,15 | X |
| 12 | 46810611 | SHIM 12X18X0,15 | X |
| 12 | 46810612 | SHIM 12X19X0,15 | X |
| 12 | 46810615 | SHIM 12X22X0,15 | X |
| 12 | 46810636 | BACKPLATE 12X16X0,30 | X |
| 12 | 46810637 | BACKPLATE 12X17X0,30 | X |
| 12 | 46810638 | BACKPLATE 12X18X0,30 | X |
| 12 | 46810639 | SHIM 12X19X0,30 | X |
| 12 | 46810641 | BACKPLATE 12X21X0,30 | X |
| 12 | 46811582 | Shim 12x30x0,10 | X |
| 12 | 46810631 | SHIM 12X20X0,25 | X |
| 12 | 46810633 | SHIM 12X22X0,25 | X |
| 12 | 46811580 | Shim 12x32x0,10 | X |
| 12 | 46810503 | SHIM 12X32X0,25 | X |
| 12 | 46810517 | SHIM 12X24X0,15 | X |

080000190

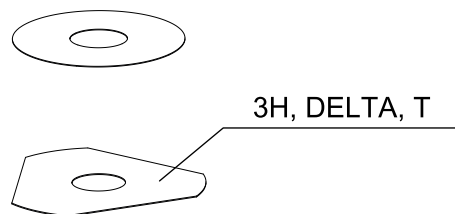
4668

* NEW PART

X ON DEMAND



- ⑤ Ø 5 mm
- ⑥ Ø 6 mm
- ⑧ Ø 8 mm
- ⑩ Ø 10 mm
- ⑫ Ø 12 mm
- ⑭ Ø 14-14,5 mm
- ⑯ Ø 16 mm
- ⑳ Ø 20 mm
- ㉑ Ø 21 mm
- ㉒ Ø 22 mm
- ㉓ Ø 23 mm
- ㉔ Ø 24,5 mm
- ㉘ Ø 28,5 mm
- ㉚ Ø 32 mm
- ㉜ Ø 52 mm



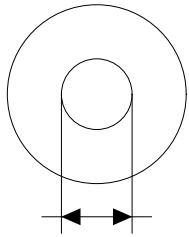
| POS | PARTNUMBER | PARTNAME | PIECE |
|-----|------------|-------------------------|-------|
| 12 | 46810856 | Shim 12x20x0,30 | X |
| 12 | 46811258 | Washer 12x24x2,5 | X |
| 12 | 46812018 | Shim 12x42x0,25 | X |
| 12 | 46812015 | Shim 12x44x0,20 | X |
| 12 | 46810613 | SHIM 12X20X0,15 | X |
| 12 | 46810623 | SHIM 12X21X0,20 | X |
| 12 | 46810624 | SHIM 12X22X0,20 | X |
| 12 | 46810642 | SHIM 12X22X0,30 | X |
| 12 | 46810643 | SHIM 12X23X0,30 | X |
| 12 | 46811629 | Shim 12x28x0,10 | X |
| 12 | 46810511 | SHIM 12X30X0,30 | X |
| 12 | 46810514 | SHIM 12X36X0,30 | X |
| 12 | 46810506 | SHIM 12X38X0,25 | X |
| 12 | 46810515 | SHIM 12X38X0,30 | X |
| 12 | 46812017 | Shim 12x42x0,20 | X |
| 12 | 46812016 | Shim 12x44x0,25 | X |
| 12 | 46810622 | SHIM 12X20X0,20 | X |
| 12 | 46811635 | BENDING DISK 12X26X0,10 | X |
| 12 | 50181296 | Shim 12x45x0,20 | X |
| 14 | 46811046 | SHIM 14,5X35,4X1,25 | X |
| 16 | 50180023 | SHIM 16X23X0,20 | X |
| 16 | 50180030 | SHIM | X |
| 16 | 50180006 | BACKPLATE 16X20X0,10 | X |
| 16 | 50180007 | SHIM 16X21X0,10 | X |
| 16 | 50180028 | SHIM 16X21X0,25 | X |
| 16 | 50180210 | Washer 16x21x1 | X |
| 16 | 50180008 | SHIM 16X22X0,10 | X |
| 16 | 50180022 | Shim 16x22x0,20 | X |
| 16 | 50180037 | SHIM 16X23X0,30 | X |
| 16 | 50180038 | SHIM 16X24X0,30 | X |
| 16 | 50180032 | Shim 16x25x0,25 | X |
| 16 | 50180039 | SHIM 16X25X0,30 | X |
| 16 | 50180012 | SHIM 16X26X0,10 | X |
| 16 | 50180019 | SHIM 16X26X0,15 | X |
| 16 | 50180026 | SHIM 16X26X0,20 | X |
| 16 | 50180040 | SHIM 16X26X0,30 | X |
| 16 | 50180041 | SHIM 16X28X0,10 | X |
| 16 | 50180045 | Shim 16x28x0,15 | X |

080000190

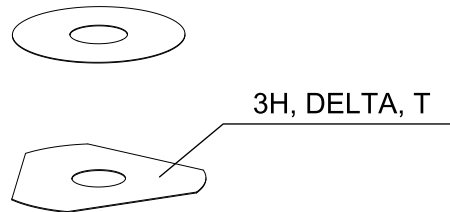
4668

* NEW PART

X ON DEMAND



- ⑤ Ø 5 mm
- ⑥ Ø 6 mm
- ⑧ Ø 8 mm
- ⑩ Ø 10 mm
- ⑫ Ø 12 mm
- ⑭ Ø 14-14,5 mm
- ⑯ Ø 16 mm
- ⑳ Ø 20 mm
- ㉑ Ø 21 mm
- ㉒ Ø 22 mm
- ㉓ Ø 23 mm
- ㉔ Ø 24,5 mm
- ㉘ Ø 28,5 mm
- ㉚ Ø 32 mm
- ㉜ Ø 52 mm



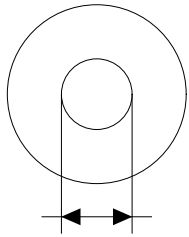
| POS | PARTNUMBER | PARTNAME | PIECE |
|-----|------------|-------------------|-------|
| 16 | 50180054 | Shim 16x28x0,2 | X |
| 16 | 50180063 | SHIM 16X28X0,25 | X |
| 16 | 50180072 | SHIM 16X28X0,30 | X |
| 16 | 50180046 | SHIM 16X30X0,15 | X |
| 16 | 50180055 | SHIM 16X30X0,20 | X |
| 16 | 50180064 | Shim 16x30x0,25 | X |
| 16 | 50180073 | SHIM 16X30X0,30 | X |
| 16 | 50180047 | Shim 16X32X0,15 | X |
| 16 | 50180056 | Shim 16x32x0,2 | X |
| 16 | 50180065 | SHIM 16X32X0,25 | X |
| 16 | 50180074 | SHIM 16X32X0,30 | X |
| 16 | 50180044 | SHIM 16X34X0,10 | X |
| 16 | 50180048 | SHIM 16X34X0,15 | X |
| 16 | 50180057 | Shim 16x34x0,2 | X |
| 16 | 50180066 | SHIM 16X34X0,25 | X |
| 16 | 50180075 | SHIM 16X34X0,30 | X |
| 16 | 50180049 | Shim 16x36x0,15 | X |
| 16 | 50180058 | Shim 16x36x0,20 | X |
| 16 | 50180067 | SHIM 16X36X0,25 | X |
| 16 | 50180076 | SHIM 16X36X0,30 | X |
| 16 | 50180050 | SHIM 16X38X0,15 | X |
| 16 | 50180059 | SHIM 16X38X0,20 | X |
| 16 | 50180068 | SHIM 16X38X0,25 | X |
| 16 | 50180077 | SHIM 16X38X0,30 | X |
| 16 | 50180051 | Shim 16x40x0,15 | X |
| 16 | 50180060 | Shim 16x40x0,2 | X |
| 16 | 50180069 | SHIM 16X40X0,25 | X |
| 16 | 50180078 | SHIM 16X40X0,30 | X |
| 16 | 50180052 | SHIM 16X42X0,15 | X |
| 16 | 50180061 | Shim 16x52x0,2 | X |
| 16 | 50180070 | SHIM 16X42X0,25 | X |
| 16 | 50180079 | SHIM 16X42X0,30 | X |
| 16 | 50180053 | SHIM 16X44X0,15 | X |
| 16 | 50180062 | Shim 16x44x0,20 | X |
| 16 | 50180071 | SHIM 16X44X0,25 | X |
| 16 | 50180080 | SHIM 16X44X0,30 | X |
| 16 | 50180177 | WASHER 16X8,2X0,6 | X |
| 16 | 50180033 | Shim 16x26x0,25 | X |

080000190

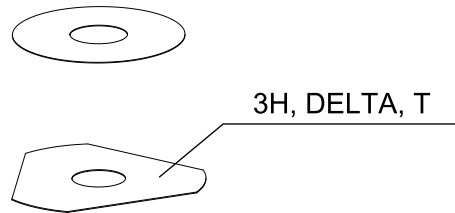
4668

* NEW PART

X ON DEMAND



- ⑤ Ø 5 mm
- ⑥ Ø 6 mm
- ⑧ Ø 8 mm
- ⑩ Ø 10 mm
- ⑫ Ø 12 mm
- ⑭ Ø 14-14,5 mm
- ⑯ Ø 16 mm
- ⑳ Ø 20 mm
- ㉑ Ø 21 mm
- ㉒ Ø 22 mm
- ㉓ Ø 23 mm
- ㉔ Ø 24,5 mm
- ㉘ Ø 28,5 mm
- ㉚ Ø 32 mm
- ㉜ Ø 52 mm



| POS | PARTNUMBER | PARTNAME | PIECE |
|-----|------------|-----------------------------|-------|
| 16 | 50180034 | Shim 16x20x0,30 | X |
| 16 | 50180035 | Shim 16x21x0,30 | X |
| 16 | 50180036 | BACKPLATE 16X22X0,30 | X |
| 16 | 50180043 | SHIM 16X32X0,10 | X |
| 16 | 50180024 | Shim 16x24x0,20 | X |
| 16 | 50180027 | SHIM 16X20X0,25 | X |
| 16 | 50180031 | SHIM | X |
| 16 | 50180029 | SHIM | X |
| 16 | 50180010 | SHIM 16X24X0,10 | X |
| 20 | 48600212 | PRESSURE-RING 20X16,25X0,20 | X |
| 20 | 50180666 | SHIM 20X24X0,30 | X |
| 20 | 50180654 | SHIM 20X36X0,20 | X |
| 20 | 50180655 | SHIM 20X38X0,20 | X |
| 20 | 50180656 | SHIM 20X40X0,20 | X |
| 20 | 50180665 | SHIM 20X40X0,25 | X |
| 20 | 50180662 | SHIM 20X34X0,25 | X |
| 20 | 50180657 | SHIM 20X24X0,25 | X |
| 20 | 50180653 | SHIM 20X34X0,20 | X |
| 20 | 50180634 | RING 20X22,9X1 | X |
| 20 | 50180650 | SHIM 20,2X28X0,20 | X |
| 20 | 50180663 | SHIM 20X36X0,25 | X |
| 20 | 50180664 | SHIM 20X38X0,25 | X |
| 20 | 50180659 | SHIM 20,2X28X0,25 | X |
| 21 | 50180209 | WASHER 21X36X0,25 | X |
| 22 | 50180330 | PRESS. RING 22X18X0,30 | X |
| 23 | 50180635 | SHUTTLE VALVE 23X38X0,25 | X |
| 23 | 50180578 | SHIM D23XD16X2 | X |
| 24 | 40541061 | WASHER 24,5X34X2 | X |
| 28 | 36120469 | SHIM 28,5X14X2 | X |
| 28 | 36120471 | SHIM 28,5X14X5 | X |
| 32 | 48600460 | WASHER 32X42X2,5 | X |
| 32 | 50600065 | SHIM 32X45X2 | X |
| 32 | 46811637 | Shim 32,25x36x0,30 | X |
| 52 | 50600002 | Washer 52x59x2,2 | X |

080000190

4668

* NEW PART

X ON DEMAND

A large, empty rectangular box with a thin black border, occupying the majority of the page. It is intended for handwritten notes.

A large, empty rectangular box with a thin black border, occupying the majority of the page. It is intended for the user to write their notes.

A large, empty rectangular box with a thin black border, occupying the majority of the page. It is intended for handwritten notes.

WWW.KTM.COM



KTM Sportmotorcycle GmbH
5230 Mattighofen, Austria
www.ktm.com



KTM_POWERPARTS

KTM_POWERWEAR

KTM_ORIGINAL SPARE PARTS



F3001S1EN