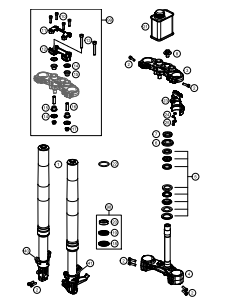
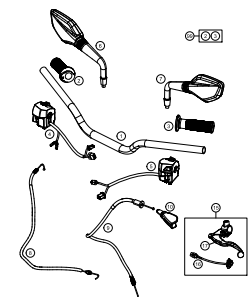
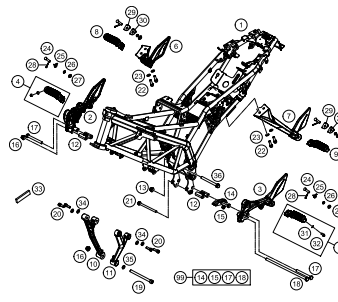
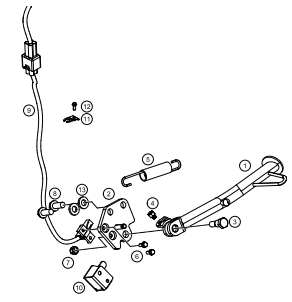
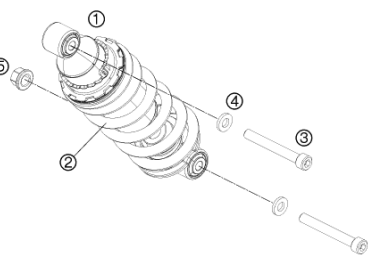
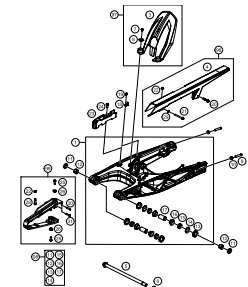
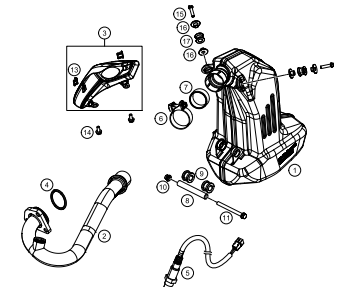
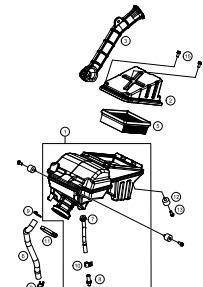
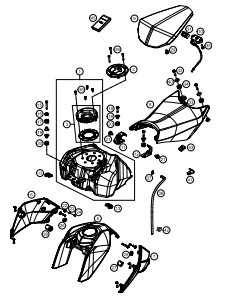
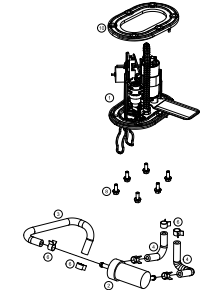
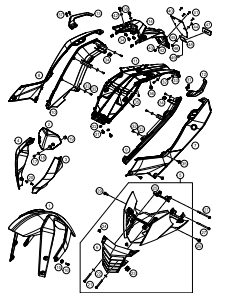
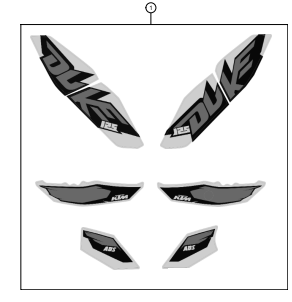
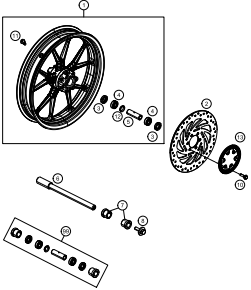
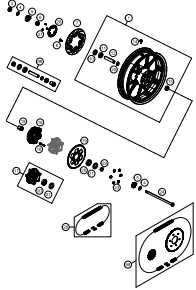
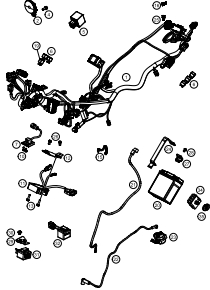
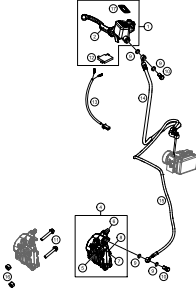
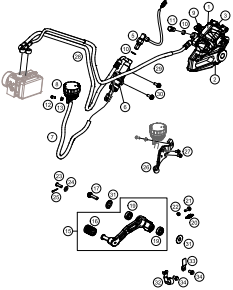
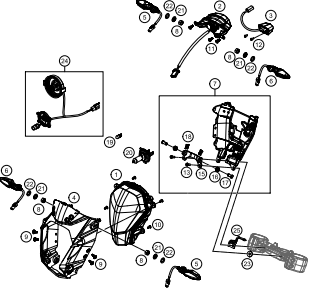
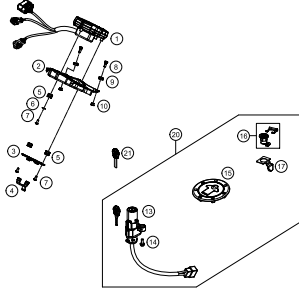
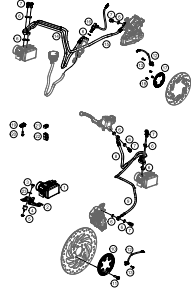


125 DUKE WHITE ABS EU 2015

ART.-NR.: 3CFF400302EN

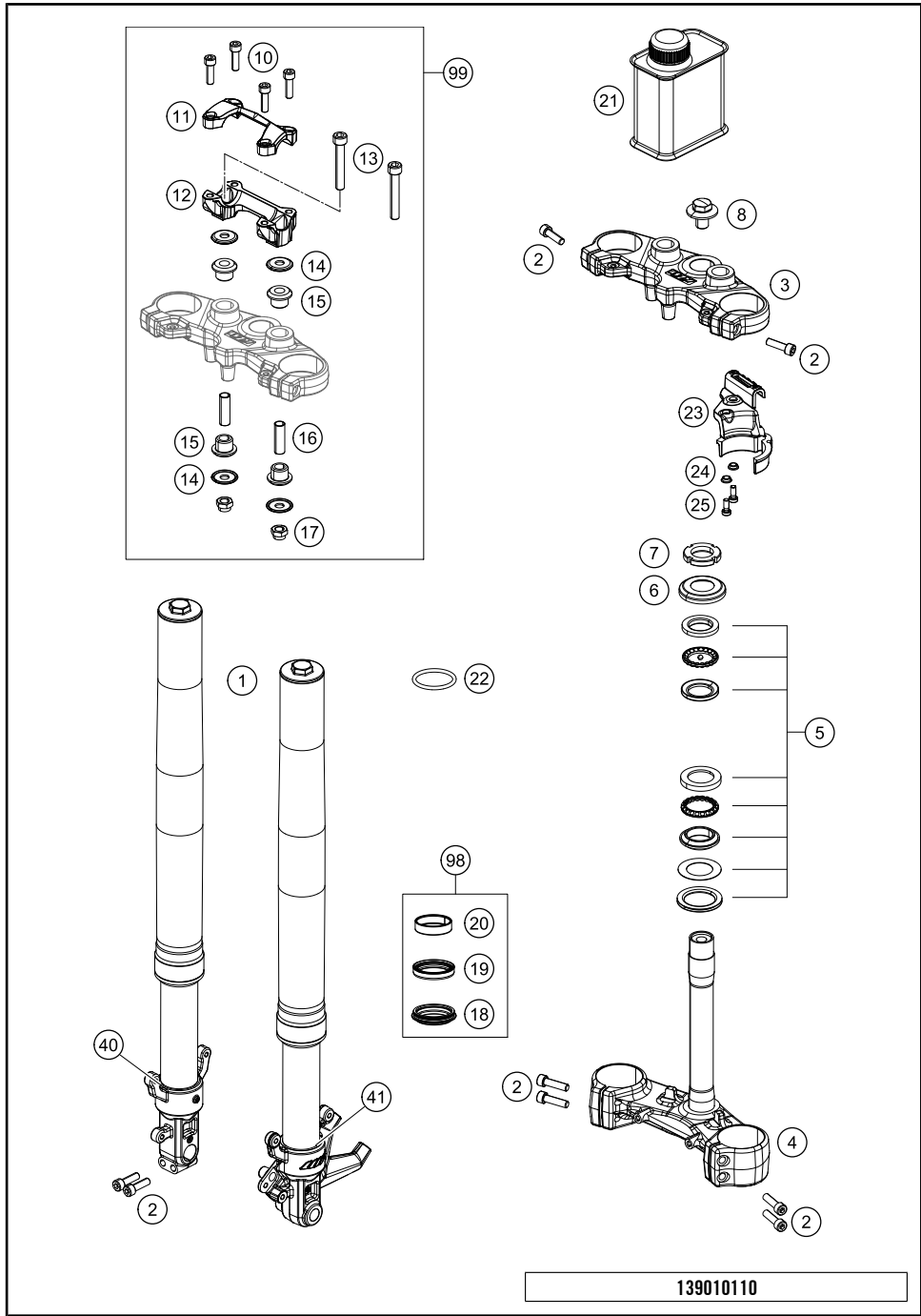


| | | | |
|--|---|--|---|
| <p>TRIPLE CLAMP, FRONT FORK</p>  <p>3</p> | <p>HANDLEBAR, CONTROLS</p>  <p>4</p> | <p>FRAME</p>  <p>5</p> | <p>SIDE / CENTER STAND</p>  <p>7</p> |
| <p>SHOCK ABSORBER</p>  <p>8</p> | <p>SWING ARM</p>  <p>9</p> | <p>EXHAUST SYSTEM</p>  <p>10</p> | <p>AIR FILTER</p>  <p>11</p> |
| <p>TANK, SEAT, COVER</p>  <p>12</p> | <p>FUEL PUMP</p>  <p>14</p> | <p>MASK, FENDERS</p>  <p>15</p> | <p>DECAL</p>  <p>17</p> |

| | | | |
|---|---|---|--|
| <p>FRONT WHEEL</p>  <p style="text-align: right;">18</p> | <p>REAR WHEEL</p>  <p style="text-align: right;">19</p> | <p>WIRING HARNESS</p>  <p style="text-align: right;">20</p> | <p>BRAKE SYSTEM FRONT</p>  <p style="text-align: right;">21</p> |
| <p>BRAKE SYSTEM REAR</p>  <p style="text-align: right;">22</p> | <p>LIGHTING SYSTEM</p>  <p style="text-align: right;">23</p> | <p>INSTRUMENTS / LOCK SYSTEM</p>  <p style="text-align: right;">24</p> | <p>ANTIBLOCK SYSTEM ABS</p>  <p style="text-align: right;">25</p> |
| <div style="display: flex; align-items: center;"> <div style="background-color: #cccccc; width: 50px; height: 100px; display: flex; align-items: center; justify-content: center; margin-right: 20px;"> ! </div> <div> <p>All information contained is without obligation. KTM Sportmotorcycle GmbH particularly reserves the right to modify any equipment, technical specifications, prices, colors, shapes, materials, services, service work, constructions, equipment and the like so as to adapt them to local conditions or to cancel any of the above items, all without previous announcement and without giving reasons. KTM may stop manufacturing certain models without previous notice. KTM shall not be held liable for any deviations of availability and/or ability to deliver, illustrations, descriptions, printing and/or other errors. The illustrated models partly contain extra equipment, which is not applied to standard models.</p> <p>© by KTM Sportmotorcycle GmbH, Mattighofen AUSTRIA; All rights reserved; Reprint, also in extracts, with written allowance of KTM Sportmotorcycle GmbH, Mattighofen only.</p> </div> </div> | | | |

TRIPLE CLAMP, FRONT FORK

125 DUKE WHITE ABS EU 2015



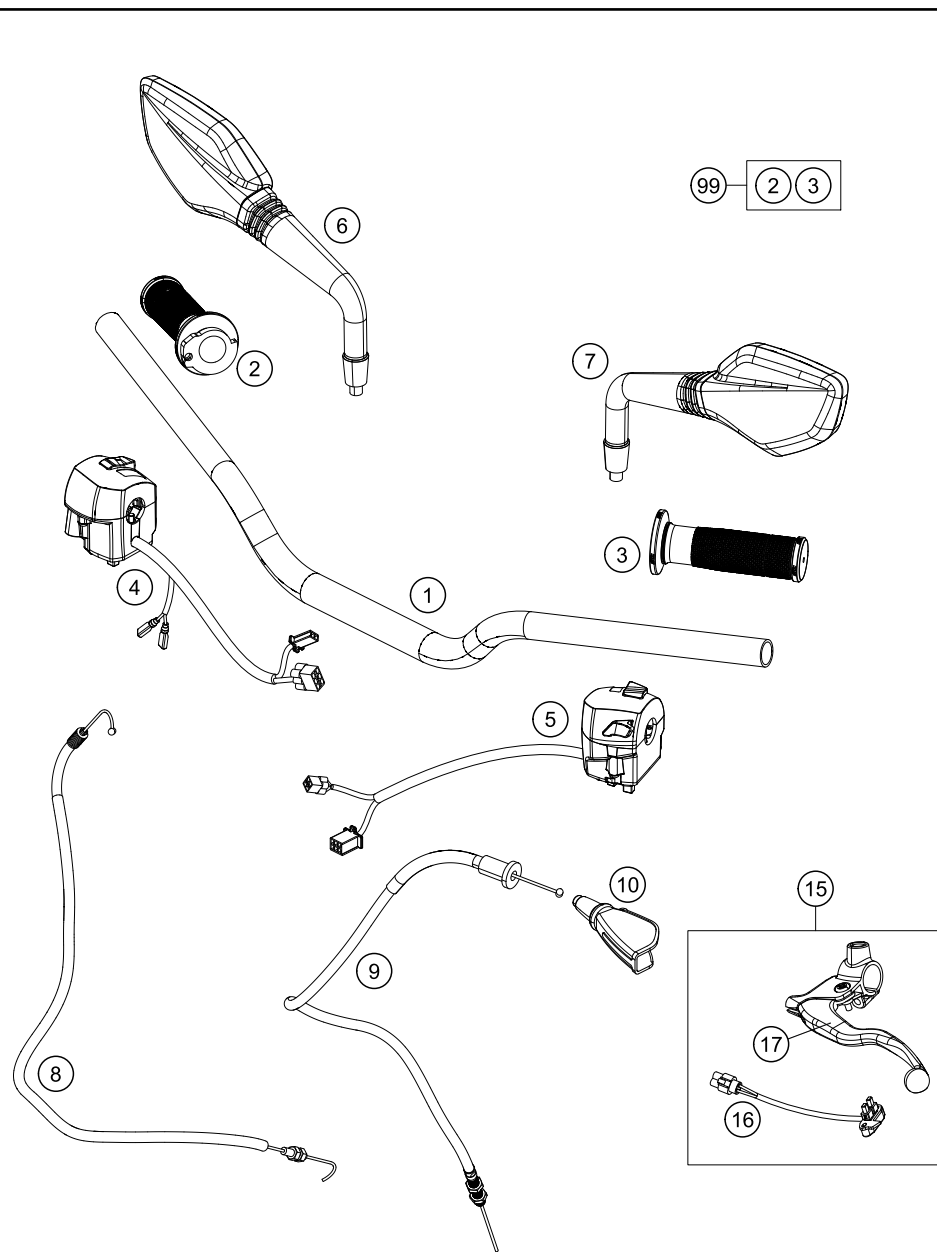
| POS | PARTNUMBER | PARTNAME | PIECE |
|-----|-------------|--|-------|
| 1 | 90101001100 | FORK LEG L/S CPL. | 1 |
| 1 | 90101002100 | FORK LEG R/S CPL. | 1 |
| 2 | J020080273 | AH SCREW M8X27 | 8 |
| 3 | 90101034035 | TOP TRIPLE CLAMP | 1 |
| 4 | 90101032100 | BOT. TRIPLE CLAMP CPL. | 1 |
| 5 | 90101080044 | STEERING HEAD BEARING-KIT | 1 |
| 6 | 90101086000 | PROTECTION CAP | 1 |
| 7 | 90101036000 | ADJUSTING RING STEERING HEAD | 1 |
| 8 | 90101136000 | CLAMP SCREW STEERING HEAD | 1 |
| 10 | 90101044000 | SPECIAL SCREW M8X29 SS | 4 |
| 11 | 90101038000 | HANDLEBAR CLAMP | 1 |
| 12 | 90101039000 | HANDLEBAR SUPPORT D=26MM | 1 |
| 13 | J022100643 | AH SCREW M10X1,25X64 | 2 |
| 14 | 90101042000 | WASHER 10,5X32X2 | 4 |
| 15 | 90101040000 | RUBBER BUSHING | 4 |
| 16 | 90101041000 | SPACER TUBE | 2 |
| 17 | J982101253 | SELF L. NUT M10X1,25 H11 WS17 | 1 |
| 18 | 43570624 | DUST CAP 43X53,4X5,8 | 2 |
| 19 | 43570623 | OIL SEAL RING 43X52,9X11,4 | 2 |
| 20 | 43570618 | GUIDE BUSHING 43X47X12 | 2 |
| 21 | 48601166S1 | FORK OIL SAE4 5L | 1 |
| 22 | 40140024 | O-RING NBR 43X2 | 2 |
| 23 | 90113055000 | HOSE CLAMP | 1 |
| 24 | 90113055010 | SLEEVE FOR HOSE CLAMP | 2 |
| 25 | J021060156 | AH SCREW M6X15 10.9 | 2 |
| 40 | 90101007044 | WHEEL CLAMP CPL. WITH PIPE R/S WITH INNER PIPE | 1 |
| 41 | 90101006144 | AXLE CLAMP CPL. WITH PIPE L/S WITH INNER PIPE | 1 |
| 98 | 90101000010 | REP. KIT FORK KPL. | x |
| 99 | 90101039010 | HANDLEBAR SUPPORT KIT | x |

139010110

C139010110

* NEW PART

X ON DEMAND



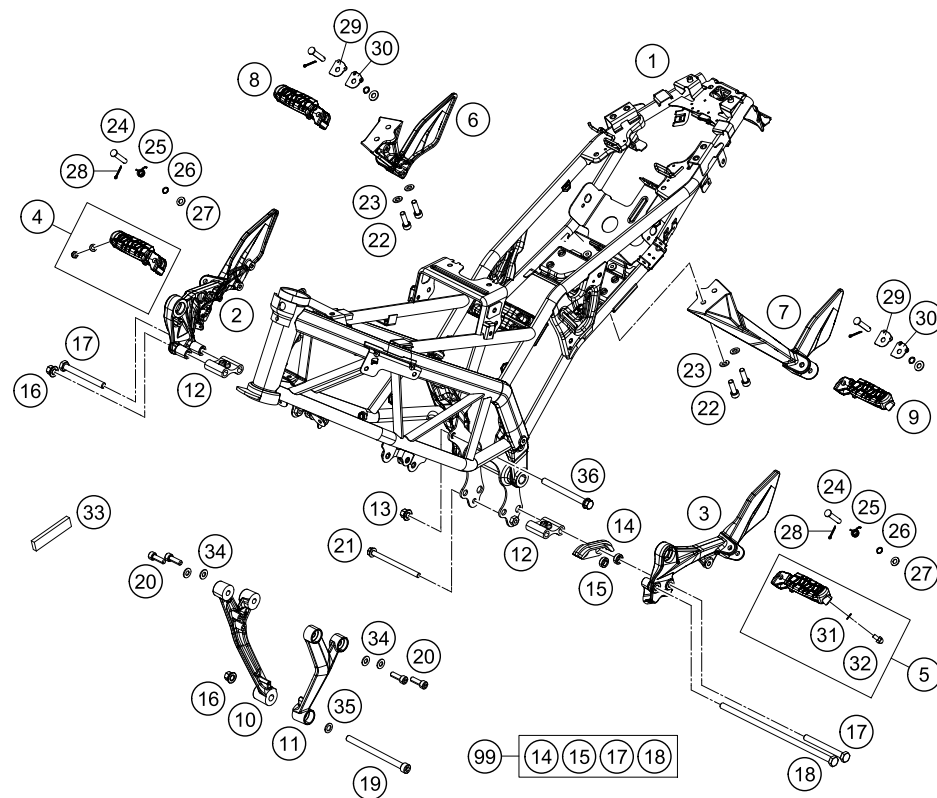
159060210

| POS | PARTNUMBER | PARTNAME | PIECE |
|-----|-------------|-------------------------------|-------|
| 1 | 90102001000 | HANDLEBAR | 1 |
| 2 | 90102010100 | THROTTLE GRIP | 1 |
| 3 | 90502039000 | FIXED GRIP | 1 |
| 4 | 91211074000 | START-EMERGENCY STOP SWITCH | 1 |
| 5 | 90111070000 | SWITCH | 1 |
| 6 | 90112041000 | MIRROR R/S | 1 |
| 7 | 90112040000 | MIRROR L/S | 1 |
| 8 | 90102091000 | THROTTLE CABLE | 1 |
| 9 | 90102090000 | CLUTCH CABLE | 1 |
| 10 | 90102016000 | PROTECTION CAP THROTTLE CABLE | 1 |
| 15 | 90102031200 | CLUTCH ARMATURE | 1 |
| 16 | 90111049100 | SWITCH CLUTCH | 1 |
| 17 | 90502042000 | CLUTCH LEVER | 1 |
| 99 | 90102121000 | GRIP SET | x |

C159060210

* NEW PART

X ON DEMAND



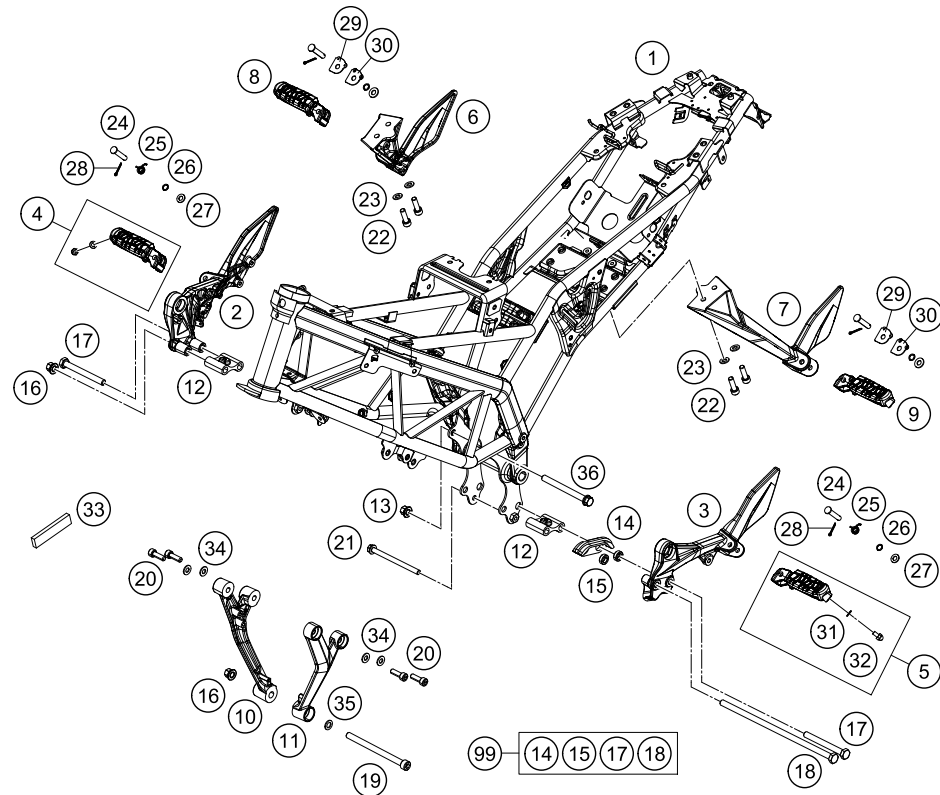
149020310

| POS | PARTNUMBER | PARTNAME | PIECE |
|-----|-------------|------------------------------|-------|
| 1 | 90103001200 | FRAME CPL. | 1 |
| 2 | 90103039000 | FOOTR. BRACKET FRONT R/S | 1 |
| 3 | 90103038000 | FOOTREST BRACKET FRONT L/S | 1 |
| 4 | 90103041033 | FOOTREST FRONT R/S CPL. | 1 |
| 5 | 90103040033 | FOOTREST FRONT L/S CPL. | 1 |
| 6 | 90103049000 | FOOTREST BRACKET REAR R/S | 1 |
| 7 | 90103048000 | FOOTREST BRACKET REAR L/S | 1 |
| 8 | 90103051033 | FOOTREST REAR R/S CPL. | 1 |
| 9 | 90103050033 | FOOTREST REAR L/S CPL. | 1 |
| 10 | 90103006000 | ENGINE SUPPORT R/S | 1 |
| 11 | 90103005000 | ENGINE SUPPORT L/S | 1 |
| 12 | 90103038001 | TAP FOOTREST BRACKET FRONT | 2 |
| 13 | 90103038002 | FLANGED NUT M10X1,25 WS14 | 1 |
| 14 | 90104070000 | CHAIN GUIDE | 1 |
| 15 | 90104066010 | SPACER CHAIN GUIDE | 2 |
| 16 | 90103038002 | FLANGED NUT M10X1,25 WS14 | 2 |
| 17 | J025100926 | HH COLLAR SCREW M10X1,25X92 | 2 |
| 18 | J025102656 | HH COLLAR SCREW M10X1,25X265 | 1 |
| 19 | 90103013100 | SOCKET HEAD BOLT M10X1,5X113 | 1 |
| 20 | J912080183 | SOCKET HEAD BOLT M8X18 | 4 |
| 21 | J027081053 | HH COLLAR SCREW M8X105 SW12 | 1 |
| 22 | J020080273 | AH SCREW M8X27 | 4 |
| 23 | J125080003 | WASHER 8,2X16X1,5 | 4 |
| 24 | 90103044000 | BOLT FOR FOOTREST | 4 |
| 25 | 90103042000 | RETURN SPRING FOOTREST | 2 |
| 26 | J770009015 | O-RING 9X1,5 | 4 |
| 27 | J125080004 | WASHER M8 | 4 |
| 28 | J094018250 | PIN 25X1,8MM | 4 |
| 29 | 90103052000 | ENGAGE PANEL FOOTREST 1 | 2 |
| 30 | 90103053000 | ENGAGE PANEL FOOTREST 2 | 2 |
| 31 | 90103040001 | PLAIN WASHER 6,4X12X1 | 2 |
| 32 | J029060103S | CAP SCREW M6X10 SS | 2 |
| 33 | 90103000001 | ANTI-ABRASIVE TAPE | x |
| 33 | 90103000002 | ANTI-ABRASIVE TAPE | x |
| 33 | 90103000003 | ANTI-ABRASIVE TAPE | x |
| 34 | J125080005 | WASHER M8 | 4 |
| 35 | J125100005 | WASHER M10 | 1 |

C149010310

* NEW PART

X ON DEMAND



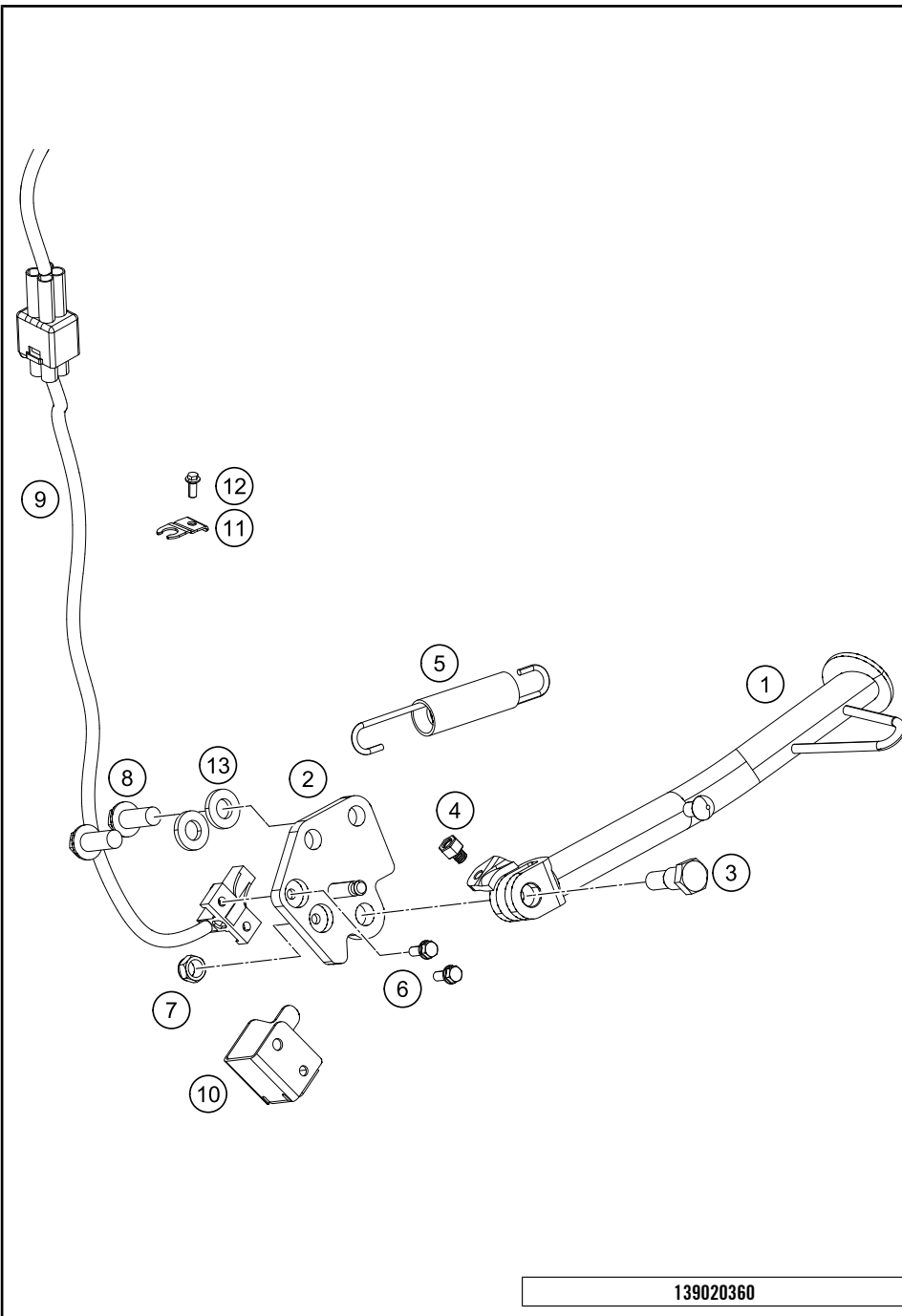
| POS | PARTNUMBER | PARTNAME | PIECE |
|-----|-------------|------------------------------|-------|
| 36 | J025101103 | HH COLLAR SCREW M10X110 WS14 | 1 |
| 99 | 90104070010 | CHAIN GUIDE KIT 125 DUKE | x |

149020310

C149010310

* NEW PART

X ON DEMAND



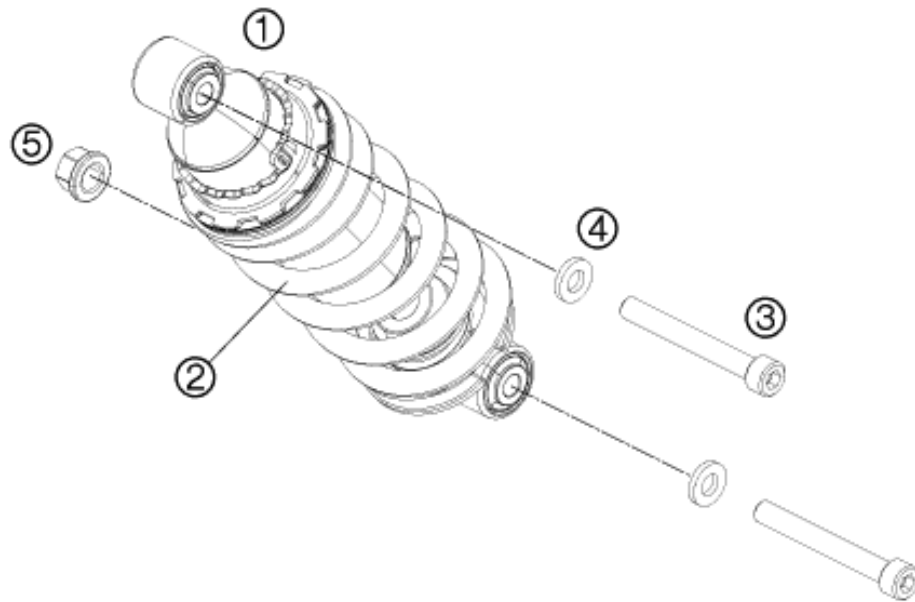
| POS | PARTNUMBER | PARTNAME | PIECE |
|-----|-------------|-------------------------------|-------|
| 1 | 90103023000 | SIDE STAND | 1 |
| 2 | 90103026000 | SIDE STAND BRACKET | 1 |
| 3 | 90103027000 | SCREW F. SIDE STAND | 1 |
| 4 | 90103029000 | MAGNET HOLDER | 1 |
| 5 | 90603024000 | SIDE STAND SPRING | 1 |
| 6 | J011050133 | HH COLLAR SCREW M5X13 SW8 | 2 |
| 7 | J982101253 | SELF L. NUT M10X1,25 H11 WS17 | 1 |
| 8 | J012100253S | HH COLLAR SCREW M10X1X25 SS | 2 |
| 9 | 90111045000 | SIDE STAND SWITCH | 1 |
| 10 | 90111045010 | GUARD F. SIDE STAND SWITCH | 1 |
| 11 | 90111045050 | CABLE BRACKET | 1 |
| 12 | 90103032000 | FLANGED BOLT M6X14 | 1 |
| 13 | 90104010003 | PLAIN WASHER 10,2X20X3MM | 2 |

139020360

C139020360

* NEW PART

X ON DEMAND



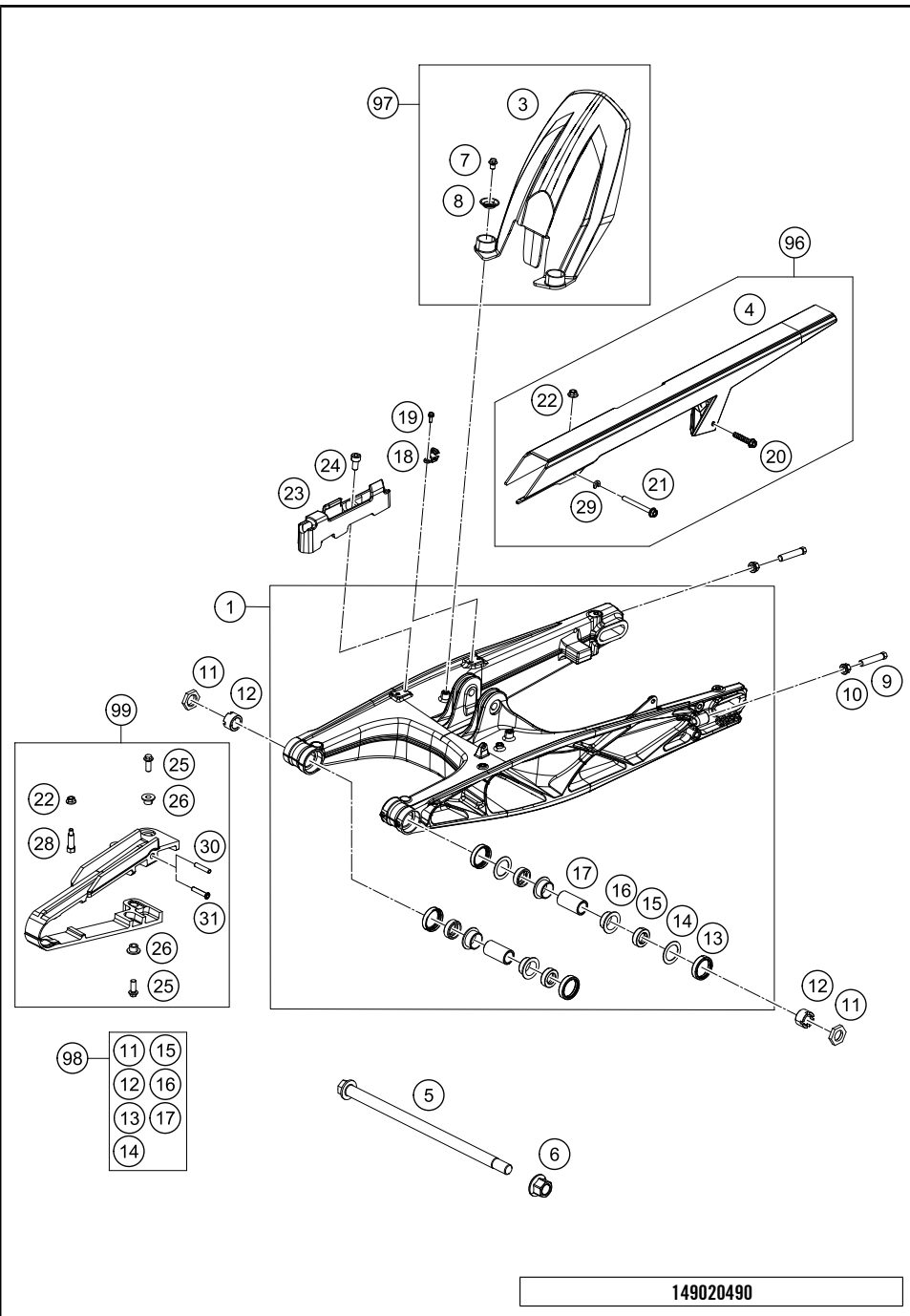
| POS | PARTNUMBER | PARTNAME | PIECE |
|-----|-------------|---------------------------|-------|
| 1 | 90604010000 | SHOCK ABSORBER CPL. | 1 |
| 2 | 90104011000 | SPRING MONOSHOCK | 1 |
| 3 | J020100806 | AH SCREW M10x1,25X80 10.9 | 2 |
| 4 | 90104010003 | PLAIN WASHER 10,2X20X3MM | 2 |
| 5 | 90104010002 | NUT FLANGED M10X1,25 WS13 | 1 |

119010410

C129060410

* NEW PART

X ON DEMAND



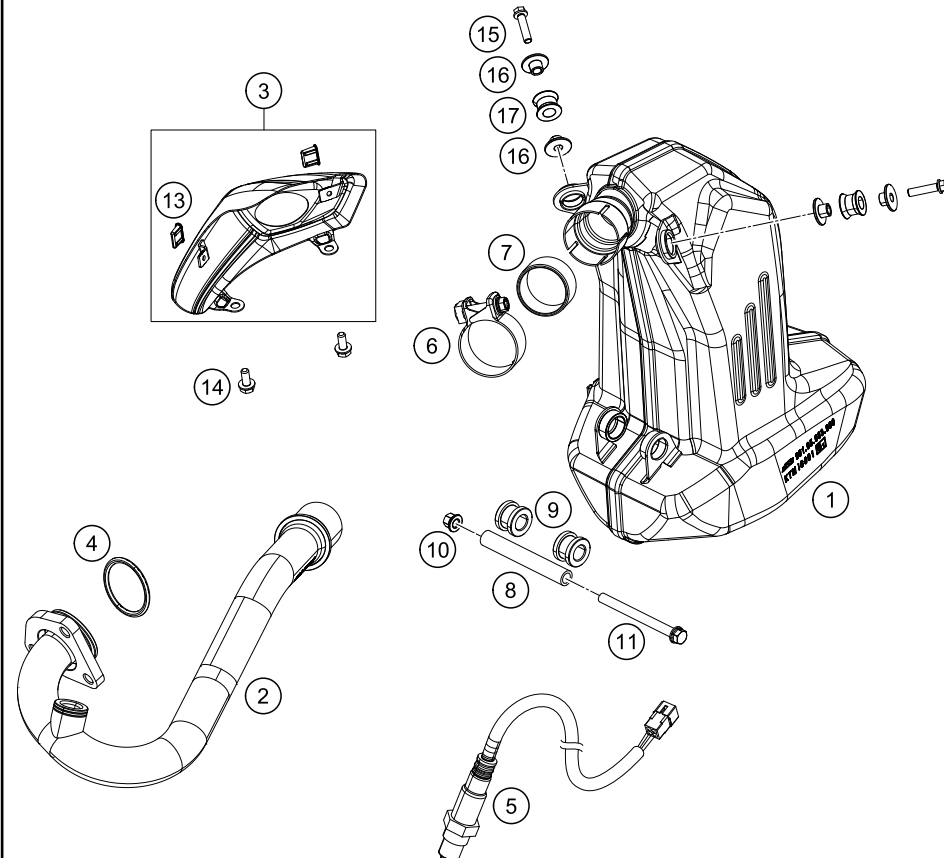
| POS | PARTNUMBER | PARTNAME | PIECE |
|-----|-------------|------------------------------|-------|
| 1 | 90504030044 | SWING ARM CPL. | 1 |
| 3 | 90104050000 | SPLASH PROTECTOR | 1 |
| 4 | 90104060000 | CHAIN GUARD CPL. | 1 |
| 5 | 90104037000 | SWING ARM BOLT L=298MM | 1 |
| 6 | 90104038000 | FLANGED NUT M14X1,5 | 1 |
| 7 | J025060083 | HH COLLAR SCREW M6X8 SW8 | 2 |
| 8 | 90104067000 | BUCKET | 2 |
| 9 | 90104040000 | BOLT HEX M10X1,25X50 WS10 | 2 |
| 10 | 90104010002 | NUT FLANGED M10X1,25 WS13 | 2 |
| 11 | 90104042000 | HEXAGONAL WASHER | 2 |
| 12 | 90104046000 | ADJUSTING RING SWING ARM | 2 |
| 13 | 90104034001 | OIL SEAL RING 25X32X7 | 4 |
| 14 | 90104036000 | STOP DISK 22.2X31.7X1 | 2 |
| 15 | 90104034000 | BUCKET FOR SHAFT SEAL RING | 4 |
| 16 | 90104031000 | IGUS SLIDE BEARING | 4 |
| 17 | 90104032000 | BUSHING SLEEVE 15.1X20X38 | 2 |
| 18 | 90113047000 | BRAKE HOSE GUIDE | 1 |
| 19 | J011050133 | HH COLLAR SCREW M5X13 SW8 | 1 |
| 20 | 0017060303 | %SPECIAL SCREW T60 6X30 WS=6 | 1 |
| 21 | J025050503 | HH COLLAR SCREW M5X50 WS8 | 1 |
| 22 | 90204060001 | HH COLLAR NUT | 1 |
| 23 | 90113147000 | CLAMP FOR BRAKE HOSE | 1 |
| 24 | J912050101 | AH SCREW M5X10 | 1 |
| 25 | J025060169 | HH COLLAR SCREW M6X16 SW8 | 2 |
| 26 | 90604062000 | BUSH CHAIN GUARD | 2 |
| 28 | 90104040100 | SCREW M5X0,8X30 | 1 |
| 29 | 90504067000 | WASHER CHAIN SLIDING GUARD | 1 |
| 30 | 90104070020 | SLEEVE CHAIN GUARD | x |
| 31 | 90904070020 | SLEEVE CHAIN GUARD | x |
| 96 | 90104060110 | CHAIN PROTECTION KIT DUKE | x |
| 97 | 90106010010 | SPLASH GUARD KIT 390 DUKE | x |
| 98 | 90104230010 | SWINGARM REP. KIT 11-15 | x |
| 99 | 90104066310 | CHAIN GUARD KIT 125/200 | x |

149020490

C149010490

* NEW PART

X ON DEMAND

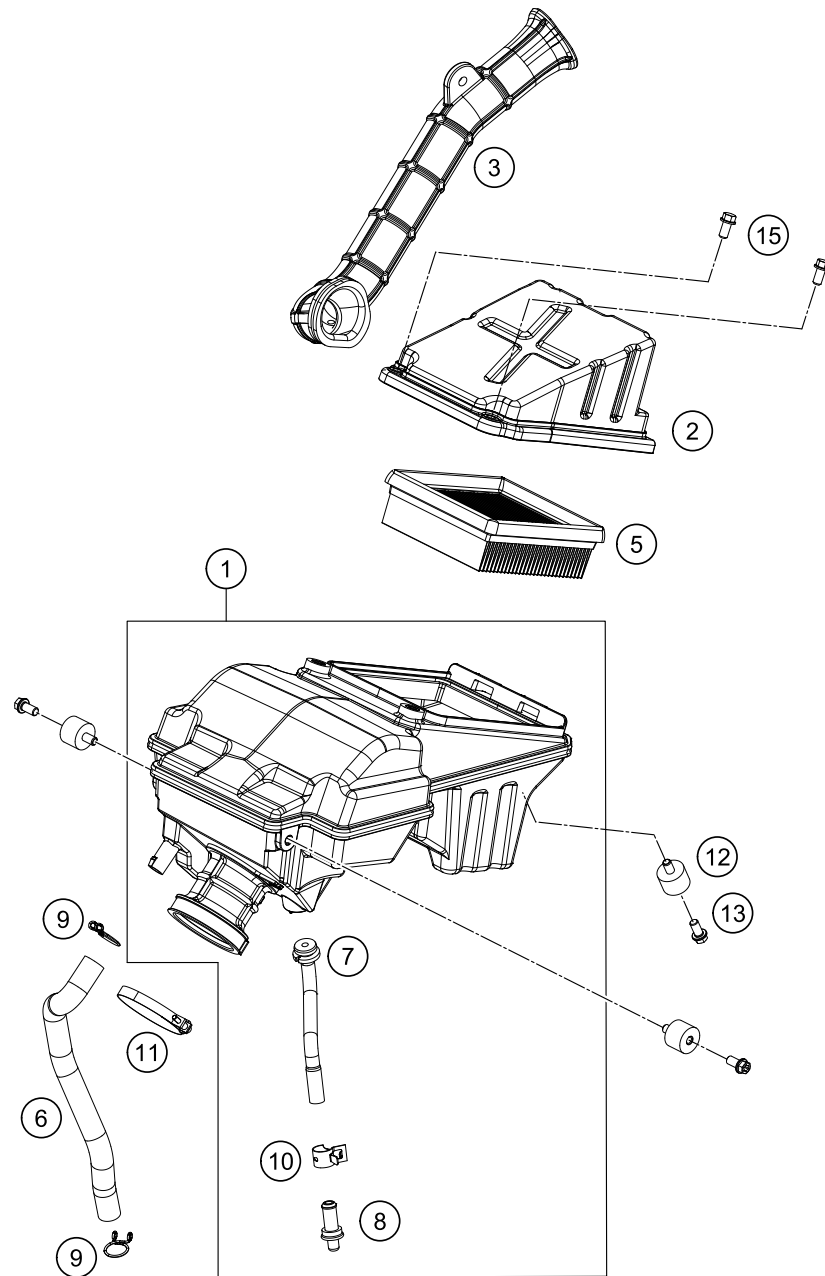


| POS | PARTNUMBER | PARTNAME | PIECE |
|-----|-------------|-----------------------------|-------|
| 1 | 90105083000 | SILENCER CPL. | 1 |
| 2 | 90505007033 | EXHAUST PIPE A CPL. | 1 |
| 3 | 90105090033 | HEAT SHIELD CPL. | 1 |
| 4 | 90105004000 | EXHAUST PIPE FLANGE GASKET | 1 |
| 5 | 90141090000 | LAMBDA SENSOR | 1 |
| 6 | 90105051000 | CLAMP CPL. | 1 |
| 7 | 90105005000 | SEAL RING EXHAUST PIPE A | 1 |
| 8 | 90105084000 | MOUNTING TUBE ED | 1 |
| 9 | 90105068100 | DAMPING ELEMENT LOWER | 2 |
| 10 | 90103038002 | FLANGED NUT M10X1,25 WS14 | 1 |
| 11 | J027081053 | HH COLLAR SCREW M8X105 SW12 | 1 |
| 13 | 90105085000 | RUBBER CAP | 2 |
| 14 | J025060146 | HH COLLAR SCREW M6X14 SW10 | 2 |
| 15 | J025060256 | HH COLLAR SCREW M6X25 SW10 | 2 |
| 16 | 90105069100 | COLLAR BUSH | 4 |
| 17 | 90105068200 | DAMPING ELEMENT UPPER | 2 |

139010510

C139010510

* NEW PART X ON DEMAND



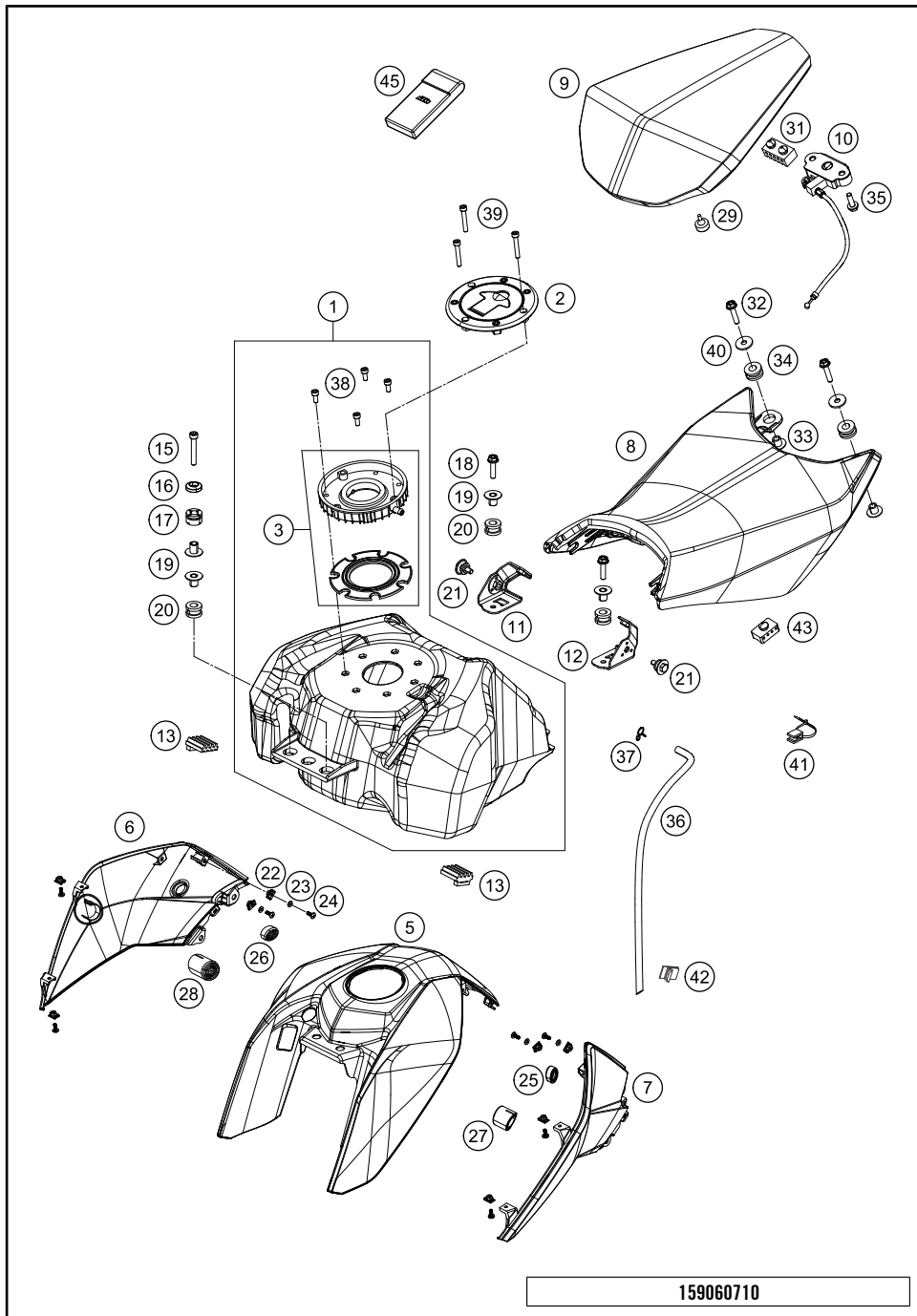
| POS | PARTNUMBER | PARTNAME | PIECE |
|-----|-------------|---------------------------|-------|
| 1 | 90106001144 | AIR FILTER BOX CPL. | 1 |
| 2 | 90106002000 | AIRFILTER TOP PART CPL. | 1 |
| 3 | 90106040000 | AIR INTAKE | 1 |
| 5 | 90106015000 | AIRFILTER | 1 |
| 6 | 90130087000 | ENGINE BREATHER TUBE | 1 |
| 7 | 90106000103 | DRAINAGE HOSE | 1 |
| 8 | 90106000001 | PLUG DRAINAGE | 1 |
| 9 | 90130087001 | HOSE CLAMP | 2 |
| 10 | 90106000004 | HOSE CLAMP | 1 |
| 11 | 90106027100 | HOSE CLAMP | 1 |
| 12 | 90135001001 | RUBBER GROMMET | 3 |
| 13 | J025060086 | HH COLLAR SCREW M6X8 SW10 | 3 |
| 15 | J025060123 | HH COLLAR SCREW M6X12 SW8 | 2 |

139060610

C129010610

* NEW PART

X ON DEMAND



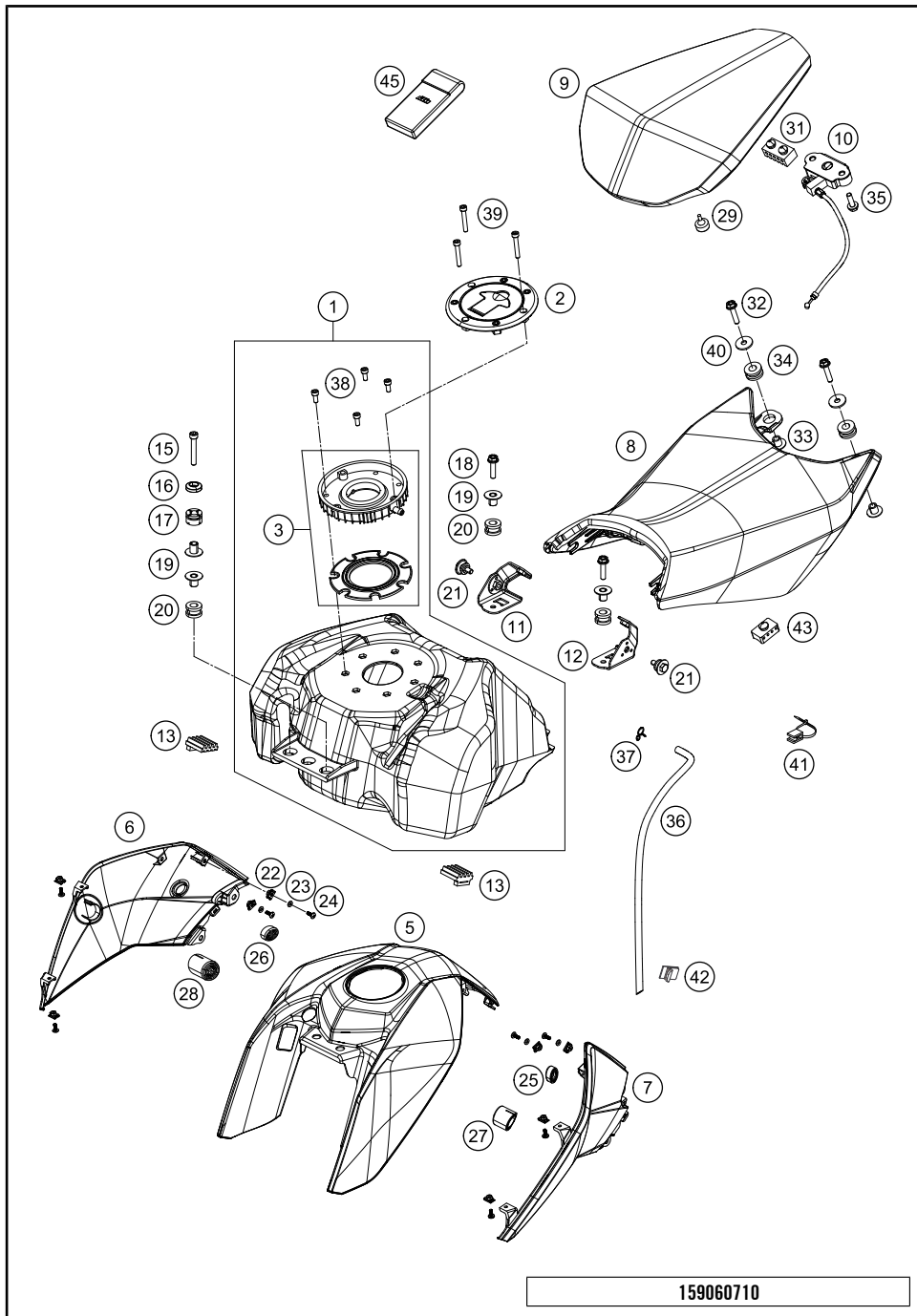
| POS | PARTNUMBER | PARTNAME | PIECE |
|-----|---------------|-------------------------------|-------|
| 1 | 90607013144 | FUEL TANK CPL. | 1 |
| 2 | 90607008000 | TANK CAP | 1 |
| 3 | 90107008144 | CUP CAP WITH GASKET | 1 |
| 5 | 9010804900020 | COVER FUEL TANK TOP WHITE | 1 |
| 6 | 9010805100047 | COVER FUEL TANK R/S BLACK MAT | 1 |
| 7 | 9010805000047 | COVER FUEL TANK L/S BLACK MAT | 1 |
| 8 | 91207040000 | SEAT | 1 |
| 9 | 90107047000 | PASSENGER SEAT | 1 |
| 10 | 90107050000 | SEAT UNLOCK SOZIUS | 1 |
| 11 | 90107040020 | MOUNTING BRACKET R/S -SEAT | 1 |
| 12 | 90107040010 | MOUNTING BRACKET L/S -SEAT | 1 |
| 13 | 90107013003 | TANK REST RUBBER | 2 |
| 15 | J025060406 | HH COLLAR SCREW M6X40 SW10 | 2 |
| 16 | 90108045000 | SPECIAL WASHER F. M6 D=20MM | 2 |
| 17 | 90107013004 | GROMMET TOP COVER | 2 |
| 18 | J025060253 | HH COLLAR SCREW M6X25 SW10 | 2 |
| 19 | 90107013005 | SLEEVE TANK MOUNTING | 6 |
| 20 | 90107013006 | GROMMET TANK MOUNTING | 4 |
| 21 | 90107040003 | SPECIAL SCREW | 2 |
| 22 | 90108050001 | CLIP NUT M5 | 8 |
| 23 | J125050001 | SHIM PVC 5,3X11,5X1,5 | 4 |
| 24 | J031050153 | CHEESE-HEAD SCREW M5X15 | 8 |
| 25 | 90107070000 | TANK RUBBER PAD SMALL L/S | 1 |
| 26 | 90107071000 | TANK RUBBER PAD SMALL R/S | 1 |
| 27 | 90107072000 | TANK RUBBER PAD LARGE L/S | 1 |
| 28 | 90107073000 | TANK RUBBER PAD LARGE R/S | 1 |
| 29 | 90107046000 | SEAT RUBBER | 4 |
| 31 | 90107046050 | SEATRUBBER REAR | 1 |
| 32 | 90107040004 | SPECIAL SCREW M6X25 | 2 |
| 33 | 90107040002 | COLLAR BUSHING SEAT BRACKET | 2 |
| 34 | 90107040001 | RUBBER SLEEVE | 2 |
| 35 | J025060203 | HH COLLAR SCREW M6X20 SW10 | 2 |
| 36 | 90107013007 | TUBE DRAIN CUP CAP | 1 |
| 37 | 90107013008 | CLAMP | 1 |
| 38 | J912050101 | AH SCREW M5X10 | 4 |
| 39 | J912050283 | AH SCREW M5X28 | 3 |
| 40 | J126072220 | WASHER 7X22X2MM | 2 |
| 41 | 90603096000 | CABLE TIE 190MM | 1 |

C159060710

C159060711

* NEW PART

X ON DEMAND



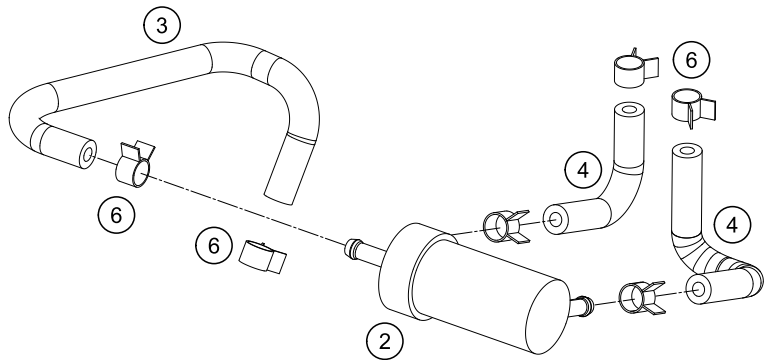
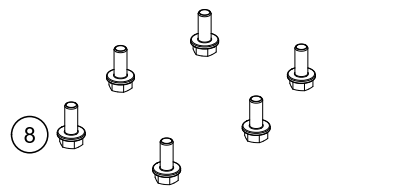
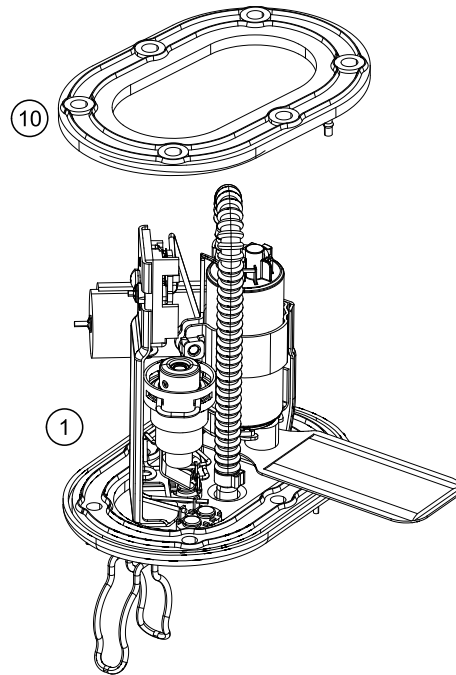
159060710

| POS | PARTNUMBER | PARTNAME | PIECE |
|-----|-------------|-------------------------|-------|
| 42 | 90107029000 | BRACKET DRAIN TUBE CPL. | 1 |
| 43 | 91207046000 | SEAT RUBBER | 4 |
| 45 | 90529099000 | TOOLKIT | 1 |

C159060711

* NEW PART

X ON DEMAND



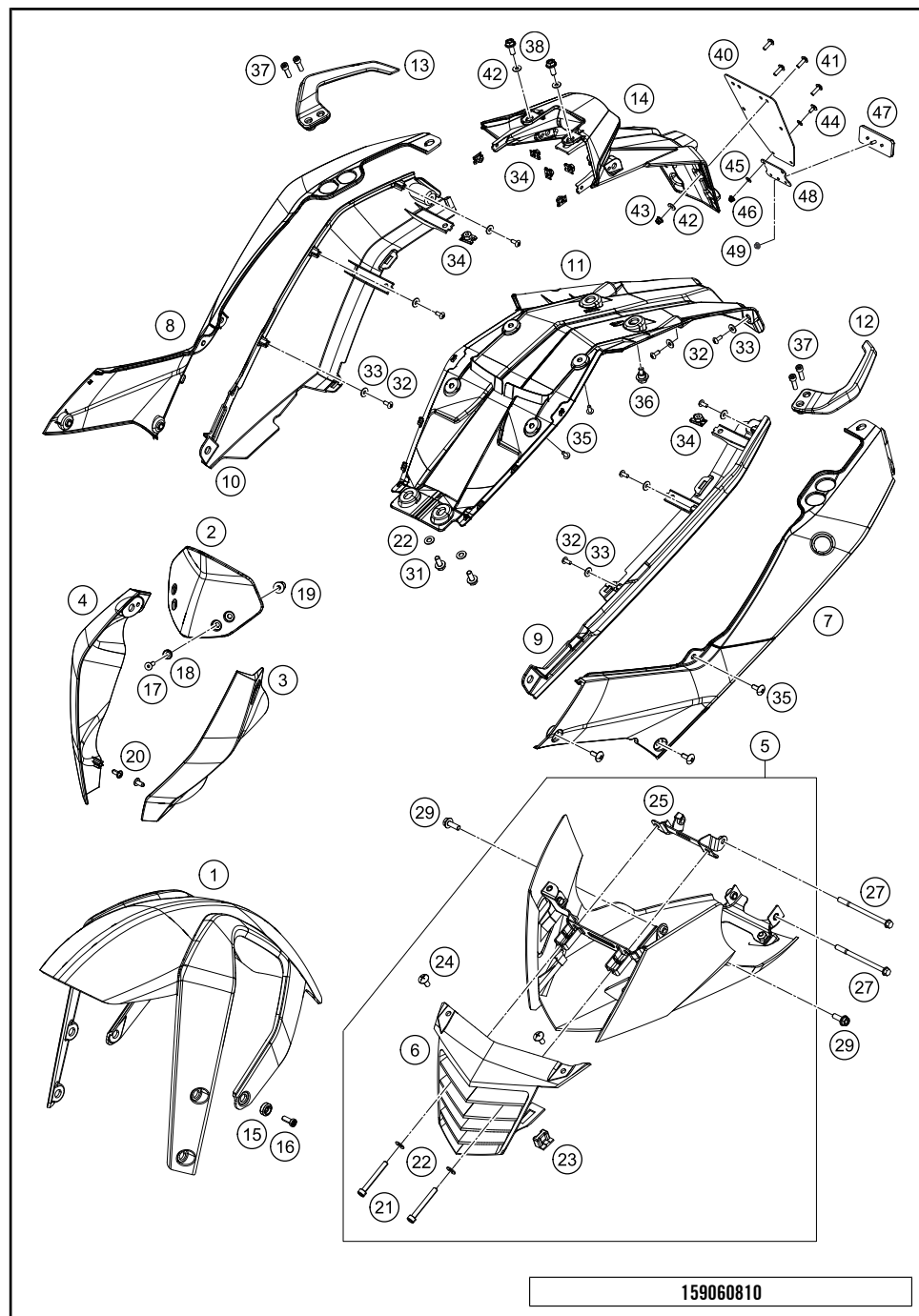
| POS | PARTNUMBER | PARTNAME | PIECE |
|-----|-------------|-----------------------|-------|
| 1 | 90107088000 | FUEL PUMP | 1 |
| 2 | 90107018000 | FUEL FILTER | 1 |
| 3 | 90107018010 | FUEL HOSE R9 | 1 |
| 4 | 90507018000 | FUEL PIPE SHORT | 2 |
| 6 | 90107018011 | CLAMP 10MM | 6 |
| 8 | J025050129 | HH-COLLAR SCREW M5X12 | 6 |
| 10 | 90107088002 | GASKET F. FUEL PUMP | 1 |

159060730

C159060730

* NEW PART

X ON DEMAND

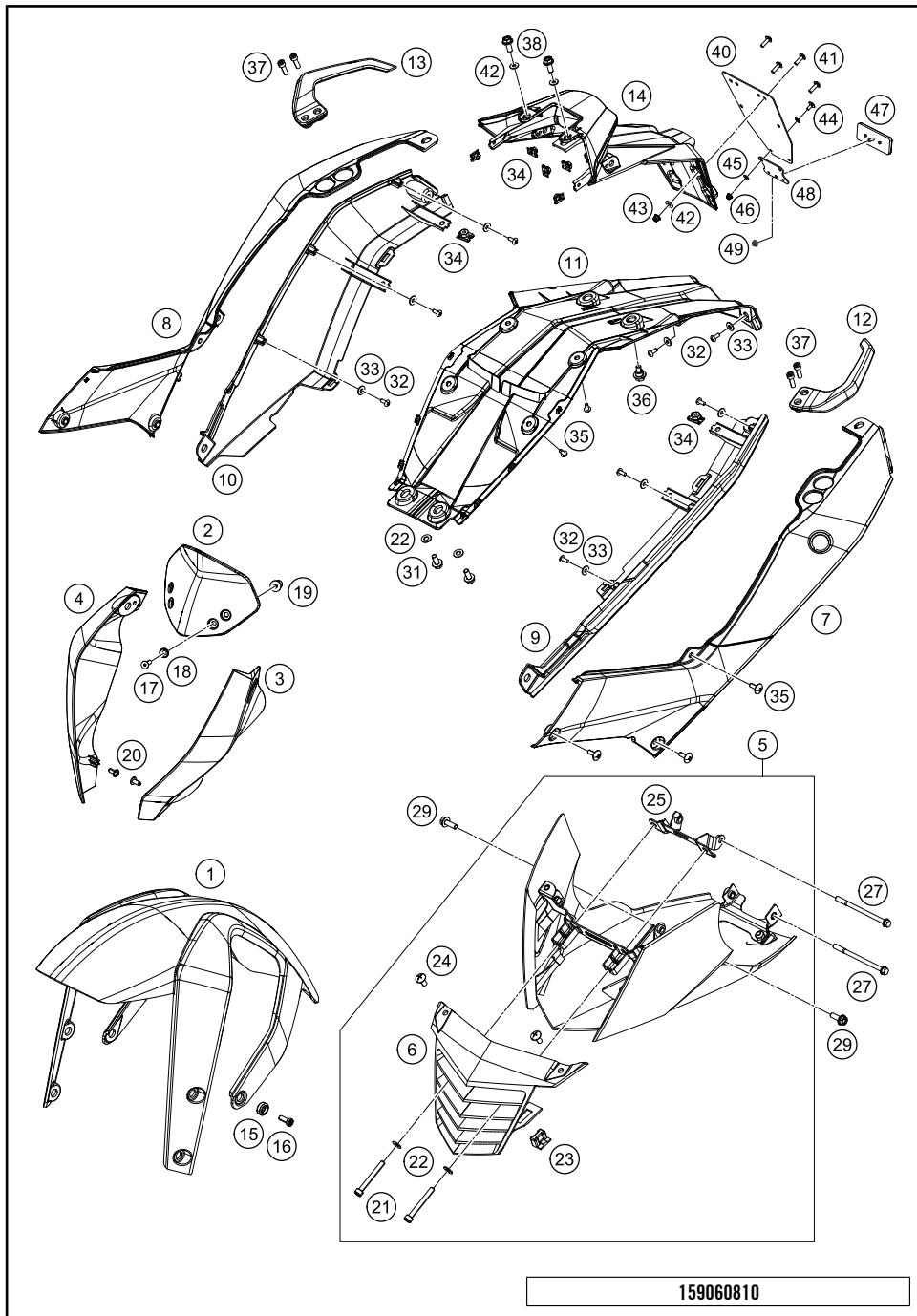


| POS | PARTNUMBER | PARTNAME | PIECE |
|-----|---------------|-------------------------------|-------|
| 1 | 9010801000033 | FRONT FENDER BLACK | 1 |
| 2 | 90108008000 | WIND SHIELD | 1 |
| 3 | 9010800200020 | MASK SPOILER L/S WHITE | 1 |
| 4 | 9010800300020 | MASK SPOILER R/S WHITE | 1 |
| 5 | 90108020144 | FRONT SPOILER LOWER PART CPL. | 1 |
| 6 | 90108021000 | FRONT SPOILER TOP PART | 1 |
| 7 | 9010804100047 | SIDE COVER L/S TOP | 1 |
| 8 | 9010804200047 | SIDE COVER R/S TOP | 1 |
| 9 | 90108043000 | SIDE COVER BOTTOM L/S | 1 |
| 10 | 90108044000 | SIDE COVER BOTTOM R/S | 1 |
| 11 | 91208019000 | UNDER TRAY | 1 |
| 12 | 90112008033 | GRIP L/S CPL. | 1 |
| 13 | 90112009033 | GRIP R/S CPL. | 1 |
| 14 | 91208015000 | NUMBER PLATE SUPPORT | 1 |
| 15 | 90108010050 | BUSHING FRONT FENDER | 6 |
| 16 | J912060163 | AH SCREW M6X16 | 6 |
| 17 | J019050201 | AH SCREW M5X20 | 4 |
| 18 | 90108008050 | WASHER FOR WINDSHIELD | 4 |
| 19 | 90108008060 | WELL NUT M5 L16 | 4 |
| 20 | 0081050121 | SCREW FOR PLASTIC K50X12 T20 | 2 |
| 21 | J912060503 | AH SCREW M6X50 | 2 |
| 22 | J125060003 | PLAIN WASHER 6,5X13X1 | 2 |
| 23 | 90108020001 | GROMMET BELLY PAN | 2 |
| 24 | 90108020050 | SPECIAL SCREW BELLY PAN | 2 |
| 25 | 90108025100 | BRACKET BELLY PAN CPL. | 1 |
| 27 | J026060903 | HH COLLAR SCREW M6X90 | 2 |
| 29 | J025060183 | HH COLLAR SCREW M6X18 SW10 | 2 |
| 31 | J025060143 | HH COLLAR SCREW M6X14 SW8 | 2 |
| 32 | J081040121 | CROSS PAN SCREW 4X12 PH | 10 |
| 33 | J021040003 | WASHER 4,5X12X1MM | 10 |
| 34 | 90108050001 | CLIP NUT M5 | 9 |
| 35 | J031050163 | CHEESE-HEAD SCREW M5X16 | 10 |
| 36 | 90108015050 | SPECIAL SCREW M6X12,5 WS8 | 2 |
| 37 | J020080274 | AH SCREW M8X27 | 4 |
| 38 | J025060149 | HH COLLAR SCREW M6X14 WS10 | 2 |
| 40 | 90808016000 | REAR FENDER EXT. | 1 |
| 41 | 90508006003 | AH SCREW M6X1X20 | 4 |
| 42 | 90108015020 | WASHER | 6 |

C159060810

C159060811

* NEW PART X ON DEMAND



| POS | PARTNUMBER | PARTNAME | PIECE |
|-----|-------------|-------------------------|-------|
| 43 | 90508016001 | HH COLLAR NUT M6 9.1 | 4 |
| 44 | J031050153 | CHEESE-HEAD SCREW M5X15 | 2 |
| 45 | 90508015010 | WASHER D=5,5 | 4 |
| 46 | 90102031010 | HEX NUT M5 AF8 | 2 |
| 47 | 90514045000 | REFLECTOR | 1 |
| 48 | 90514044000 | REFLECTOR MOUNTING | 1 |
| 49 | 90204060001 | HH COLLAR NUT | 1 |

C159060811

* NEW PART X ON DEMAND

| POS | PARTNUMBER | PARTNAME | PIECE |
|-----|-------------|-------------------------------|-------|
| 1 | 90108199200 | DECAL KIT 125 DUKE WHITE 2013 | 1 |

①

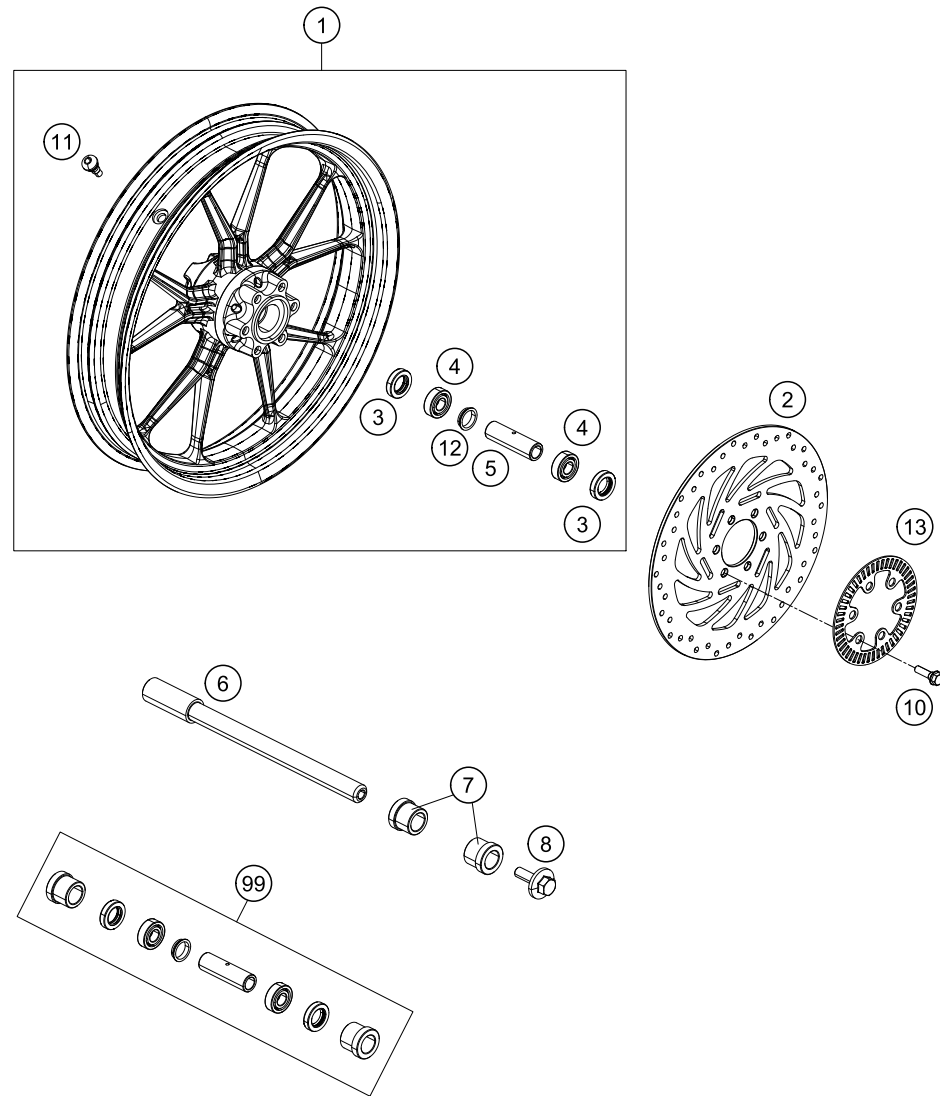


139010831

C139010831

* NEW PART

X ON DEMAND



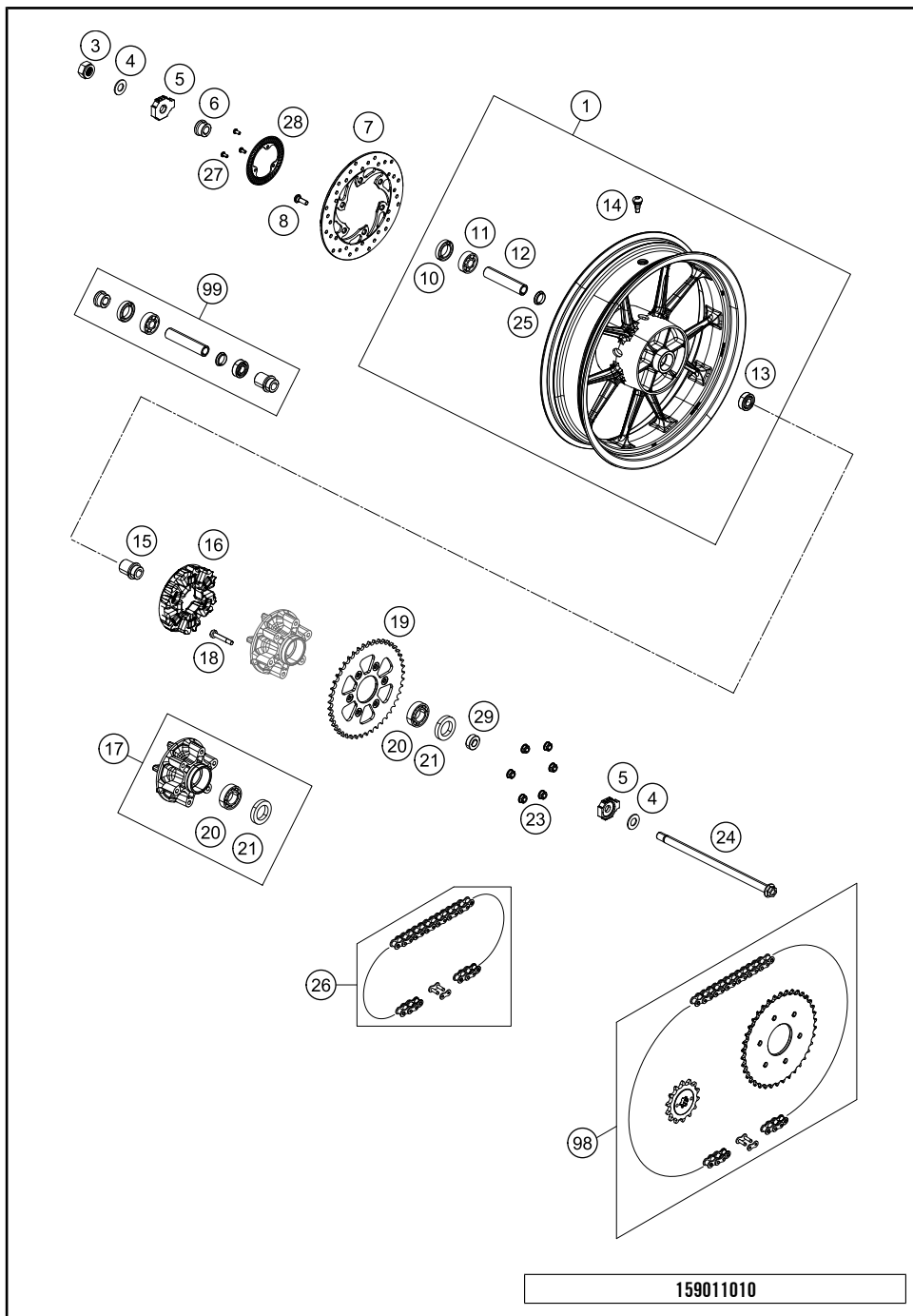
| POS | PARTNUMBER | PARTNAME | PIECE |
|-----|-------------|--------------------------------|-------|
| 1 | 90109001044 | FRONT WHEEL CPL. | 1 |
| 2 | 90109060100 | BRAKE DISC FRONT | 1 |
| 3 | J760223508 | SHAFT SEAL RING 22X35X8 | 2 |
| 4 | J625062021 | BALL BEARING 6202 | 2 |
| 5 | 90109011000 | BEARING SPACER TUBE FRONT | 1 |
| 6 | 90109081000 | AXLE FRONT D=15MM | 1 |
| 7 | 90209083000 | BEARING BUSHING | 2 |
| 8 | 90109082000 | AXLESCREW M8 | 1 |
| 10 | 90109062000 | SPECIAL SCREW M8X30 SELF LOCK. | 6 |
| 11 | 90109076000 | VALVE CPL. | 1 |
| 12 | 90109011001 | FIXATION BEARING SPACER TUBE | 1 |
| 13 | 90142020000 | SENSOR DISC FRONT | 1 |
| 99 | 90109015100 | FRONT WHEEL REP. KIT | x |

139010910

C149010910

* NEW PART

X ON DEMAND



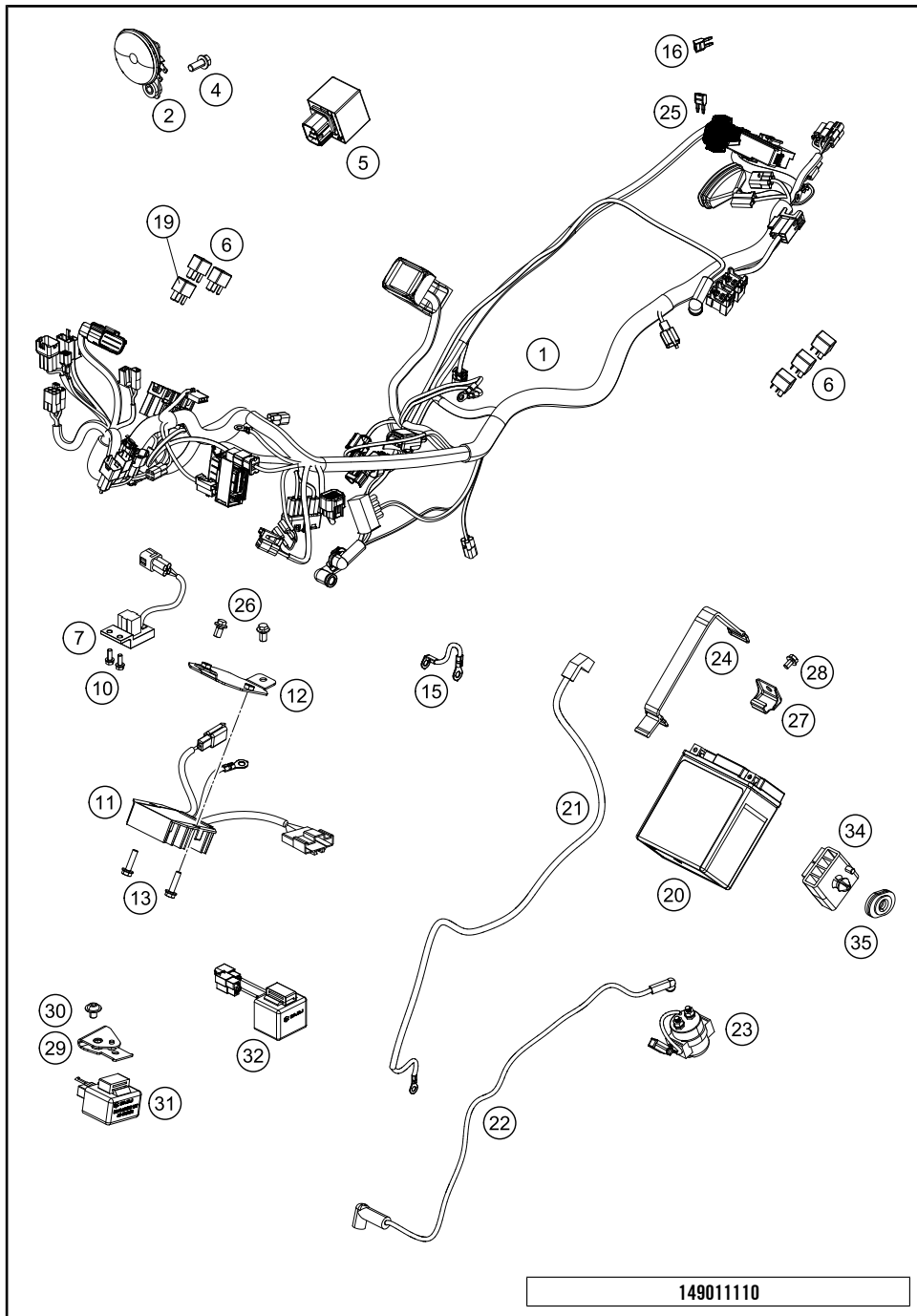
| POS | PARTNUMBER | PARTNAME | PIECE |
|-----|---------------|--------------------------------|-------|
| 1 | 9021000104430 | REAR WHEEL CPL. - BLACK | 1 |
| 3 | 90210086000 | NUT REAR AXLE | 1 |
| 4 | 90610087000 | WASHER 15,2X30X2 | 2 |
| 5 | 90110084000 | CHAIN TENSIONER R/S | 2 |
| 6 | 90110013000 | SPACER BUSHING REAR WHEEL R/S | 1 |
| 7 | 90110060000 | WAVE BRAKE DISC REAR | 1 |
| 8 | 90110062000 | SPECIAL SCREW M8X25 SELF LOCK. | 6 |
| 10 | J760264208 | SHAFT SEAL RING 26X42X8 | 1 |
| 11 | J625063020 | BALL BEARING 6302 | 1 |
| 12 | 90110011000 | BEARING SPACER TUBE REAR | 1 |
| 13 | J625062021 | BALL BEARING 6202 | 1 |
| 14 | 90109076000 | VALVE CPL. | 1 |
| 15 | 90610054000 | SPACER BUSHING KRT INSIDE | 1 |
| 16 | 90110059100 | % DAMPER | 1 |
| 17 | 90210050000 | SPROCKET SUPPORT | 1 |
| 18 | 90810052000 | SPECIAL SCREW M8X48 | 6 |
| 19 | 90510051045 | SPROCKET 45T | 1 |
| 20 | J625062050 | BALL BEARING 6205 | 1 |
| 21 | J760295207 | SHAFT SEAL RING 29X52X7 | 1 |
| 23 | 90510052000 | FLANGED NUT M8X1,25 | 6 |
| 24 | 90210085000 | REAR AXLE | 1 |
| 25 | 90109011001 | FIXATION BEARING SPACER TUBE | 1 |
| 26 | 78010167118 | CHAIN DID 118 LINKS | 1 |
| 27 | 90142021001 | SCREW FOR ABS | 3 |
| 28 | 90142021000 | SENSOR DISC REAR | 1 |
| 29 | 90110053000 | SPACER CHAIN WHEEL SUPPORT | 1 |
| 98 | 00050002060 | DRIVETRAIN KIT 125DUKE 14T/45T | x |
| 99 | 90110015100 | REAR WHEEL REP. KIT 390 DUKE | x |

159011010

C159011010

* NEW PART

X ON DEMAND



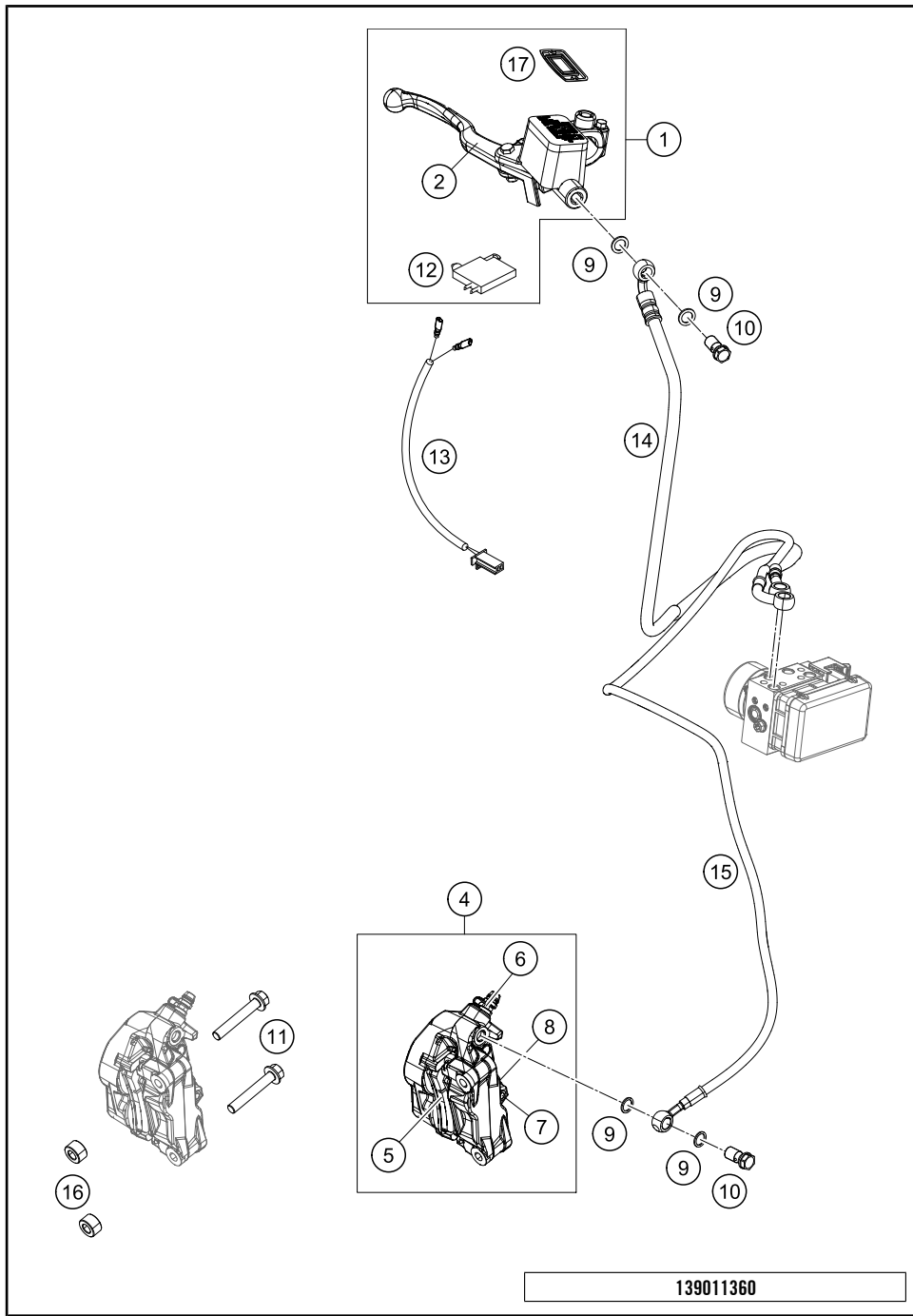
149011110

| POS | PARTNUMBER | PARTNAME | PIECE |
|-----|-------------|-----------------------------|-------|
| 1 | 90111275100 | WIRING HARNESS | 1 |
| 2 | 90111060100 | HORN 82 DIA | 1 |
| 4 | J025080123 | HH COLLAR SCREW M8X12 SW12 | 1 |
| 5 | 90539010000 | IGNITION UNIT | 1 |
| 6 | 90611057000 | RELAY (INTERLOCK) | 5 |
| 7 | 90141088000 | ROLL OVER SENSOR | 1 |
| 10 | J011050133 | HH COLLAR SCREW M5X13 SW8 | 2 |
| 11 | 90111034000 | VOLTAGE REGULATOR | 1 |
| 12 | 90111134010 | BRACKET REGULATOR MTG | 1 |
| 13 | J025060253 | HH COLLAR SCREW M6X25 SW10 | 2 |
| 15 | 90211097000 | EARTH CABLE | 1 |
| 16 | 75011088010 | FUSE 10A 07 | x |
| 16 | 75011088015 | FUSE 15A 07 | x |
| 16 | 75011088020 | FUSE MINI 20A | x |
| 16 | 75011088030 | FUSE 30A | x |
| 19 | 90611157000 | RELAY (AUX1DIODE) | 1 |
| 20 | 90111053000 | BATTERY | 1 |
| 21 | 90211197000 | EARTH CABLE | 1 |
| 22 | 90211059000 | CABLE RELAY TO MOTOR | 1 |
| 23 | 90111058000 | STARTER RELAY | 1 |
| 24 | 90111054000 | BRACKET RUBBER FOR BATTERY | 1 |
| 26 | J025060109 | HH-COLLAR SCREW M6X10 SW8 | 2 |
| 27 | 90611054000 | BRACKET BATTERY MTG | 1 |
| 28 | J025060103 | HH COLLAR SCREW M6X10 SW10 | 1 |
| 29 | 90103001051 | HOLDING PLATE FLASHER RELAY | 1 |
| 30 | 90808073000 | SPECIAL SCREW M6X1X10 | 1 |
| 31 | 90511030000 | FLASHER RELAY | 1 |
| 32 | 90511021000 | CONTROL UNIT HEAD LIGHT | 1 |
| 34 | 90111055000 | BATTERY RUBBER HOLDER | 1 |
| 35 | 90108060003 | GROMMET | 2 |

C159011110

* NEW PART

X ON DEMAND



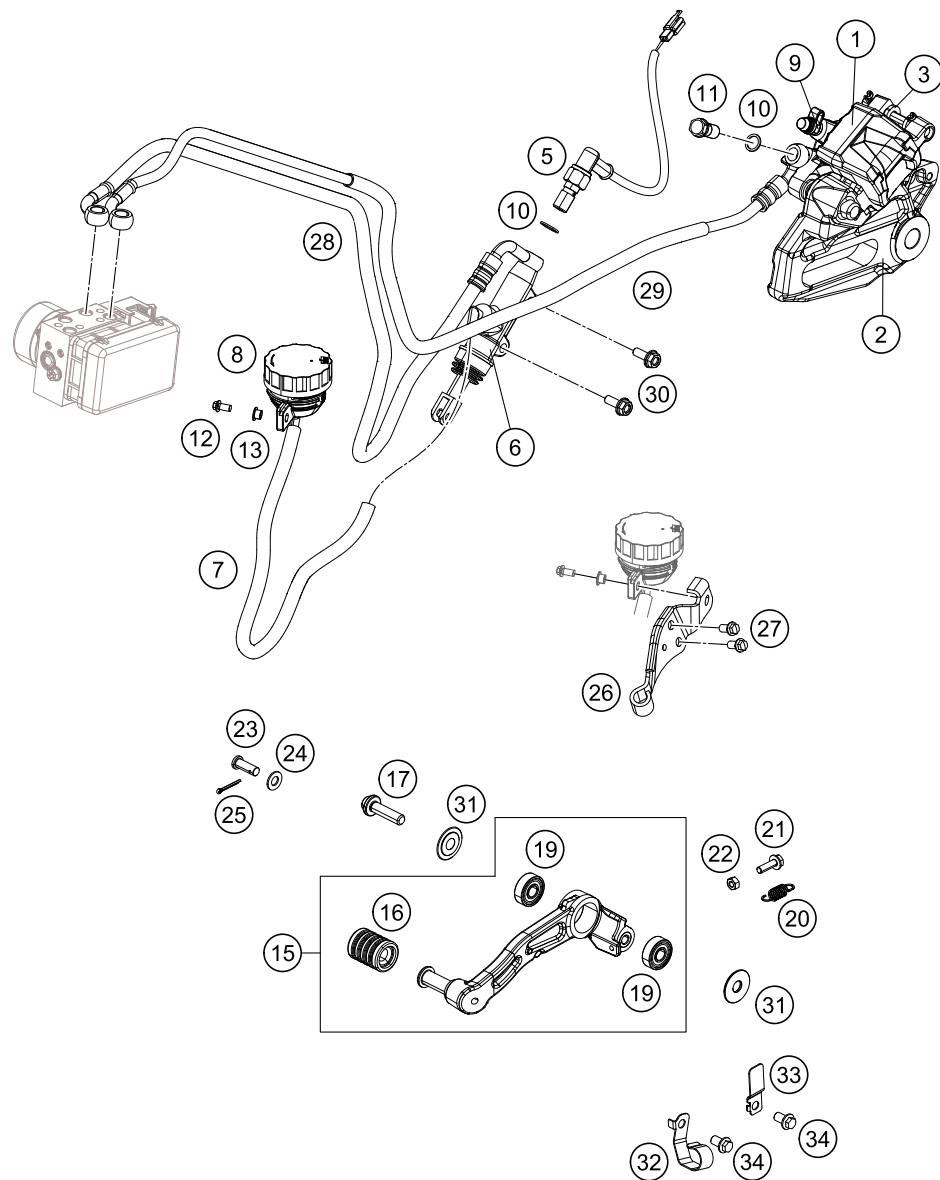
| POS | PARTNUMBER | PARTNAME | PIECE |
|-----|-------------|-------------------------------|-------|
| 1 | 90113001144 | MASTER CYLINDER CPL. | 1 |
| 2 | 90113002100 | HAND BRAKE LEVER | 1 |
| 4 | 90113015000 | BRAKE CALIPER RADIAL | 1 |
| 5 | 90113030000 | BRAKE PADS FRONT - SET | 1 |
| 6 | 90113021000 | BLEEDER SCREW | 1 |
| 7 | 90113017000 | BOLT F. BRAKE PADS | 1 |
| 8 | 90113018000 | SPRING CLIP | 1 |
| 9 | 90113026000 | COPPER GASKET | 4 |
| 10 | 90113013000 | BANJO SCREW | 2 |
| 11 | J01008060S | BOLT FLANGED M8X1X60 | 2 |
| 12 | 90111050000 | BRAKE LIGHT SWITCH FRONT | 1 |
| 13 | 90111050050 | WIRE BRAKE LIGHT SWITCH FRONT | 1 |
| 14 | 90642002000 | BRAKE HOSE ABS/MASTER CYL. FR | 1 |
| 15 | 90642004000 | BRAKE HOSE FR ABS TO CALIPER | 1 |
| 16 | 90613098150 | SPACER FRONT CALIPER | 2 |
| 17 | 90113001007 | MEMBRANE | 1 |

139011360

C149021360

* NEW PART

X ON DEMAND



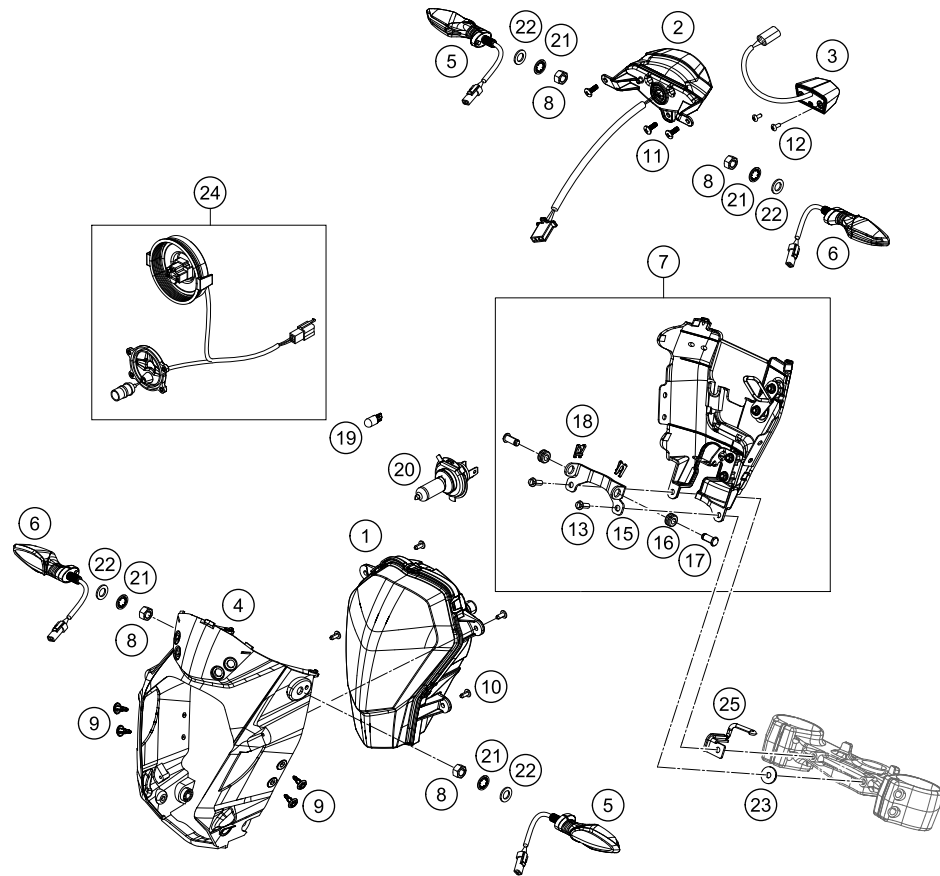
| POS | PARTNUMBER | PARTNAME | PIECE |
|-----|-------------|--------------------------------|-------|
| 1 | 90113080000 | BRAKE CALIPER REAR CPL. | 1 |
| 2 | 90613075000 | BRAKE CALIPER SUPPORT REAR ABS | 1 |
| 3 | 90113090000 | REAR BRAKE PADS - SET | 1 |
| 5 | 90111051000 | BRAKE LIGHT SWITCH REAR | 1 |
| 6 | 90113060000 | REAR BRAKE CYLINDER CPL. | 1 |
| 7 | 90113069000 | HOSE F. RESERVOIR | 1 |
| 8 | 90113009000 | BRAKE FLUID RESERVOIR CPL. | 1 |
| 9 | 90113121000 | BLEEDER SCREW | 1 |
| 10 | 90113026000 | COPPER GASKET | 4 |
| 11 | 90113013000 | BANJO SCREW | 1 |
| 12 | J025060163 | HH COLLAR SCREW M6X16 SW10 | 1 |
| 13 | 90114060003 | COLLAR BUSHING | 1 |
| 15 | 90113050133 | FOOT BRAKE LEVER CPL. | 1 |
| 16 | 90134035000 | RUBBER | 1 |
| 17 | 90134034300 | BOLT SHIFT LEVER | 1 |
| 19 | J625060800 | BALL BEARING 608 | 2 |
| 20 | 90113052000 | SPRING FOOT BRAKE LEVER | 1 |
| 21 | J025060203 | HH COLLAR SCREW M6X20 SW10 | 1 |
| 22 | J934060003 | HEXAGON NUT M6 | 1 |
| 23 | 90113057000 | PIN | 1 |
| 24 | J125060003 | PLAIN WASHER 6,5X13X1 | 1 |
| 25 | J094020153 | PIN 2X15MM | 1 |
| 26 | 90113174000 | RETAINING PLATE RESERVOIR | 1 |
| 27 | 90113168001 | BOLT M6X10 PRECOATED | 2 |
| 28 | 90642003000 | BRAKE HOSE ABS/MASTER CYL. RR | 1 |
| 29 | 90642001000 | BRAKE HOSE RR ABS TO CALIPER | 1 |
| 30 | J025060163 | HH COLLAR SCREW M6X16 SW10 | 2 |
| 31 | 90134031020 | WASHER SHIFTING LEVER | 2 |
| 32 | 90113025000 | BRAKE HOSE GUIDE FRONT | 1 |
| 33 | 90113025100 | BRAKE HOSE GUIDE REAR | 1 |
| 34 | J025060103 | HH COLLAR SCREW M6X10 SW10 | 2 |

149011390

C149011390

* NEW PART

X ON DEMAND



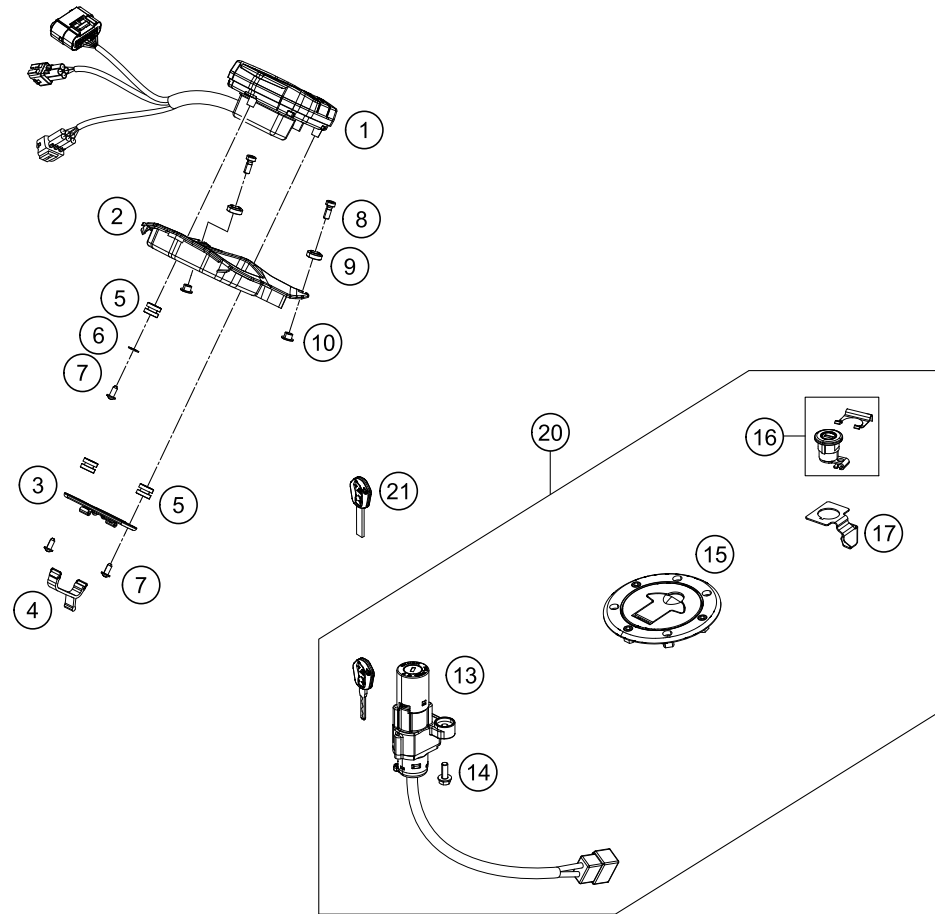
| POS | PARTNUMBER | PARTNAME | PIECE |
|-----|-------------|--------------------------------|-------|
| 1 | 90114001100 | HEAD LIGHT CPL. | 1 |
| 2 | 90114040000 | REAR LIGHT LED | 1 |
| 3 | 90114047000 | LICENSE PLATE ILLUMINATION | 1 |
| 4 | 90114062000 | MASK BRACKET | 1 |
| 5 | 91214025000 | FLASHER L/S | 2 |
| 6 | 91214026000 | FLASHER R/S | 2 |
| 7 | 90114064044 | HEAD LIGHT COVER REAR CPL. | 1 |
| 8 | 90114030000 | HEX NUT M10X1,25 | 4 |
| 9 | 76503075100 | EXPANDING RIVET CPL. | 4 |
| 10 | 0081050121 | SCREW FOR PLASTIC K50X12 T20 | 4 |
| 11 | J031050153 | CHEESE-HEAD SCREW M5X15 | 3 |
| 12 | J081040121 | CROSS PAN SCREW 4X12 PH | 2 |
| 13 | J025060163 | HH COLLAR SCREW M6X16 SW10 | 2 |
| 15 | 90114064010 | HINGE JOINT HEADL.-COVER | 1 |
| 16 | 90114064011 | GROMMET MASK CARR. PIVOT BKT | 2 |
| 17 | J070080150 | SAFETY BOLT 8X1,5 | 2 |
| 18 | 90114064012 | SEC. CLIP MASK CARR. PIVOT BKT | 2 |
| 19 | 49011435100 | BULB 12V 5W (W2,1X9,5D) PHIL. | 1 |
| 20 | 57111038000 | BULB H4 12V 60/55W (P43T) | 1 |
| 21 | J797100003 | TOOTHED WASHER M10 | 4 |
| 22 | J125100003 | WASHER PLAIN 10,5 | 4 |
| 23 | J126061252 | WASHER 6,5X2 MM | 1 |
| 24 | 90111079000 | HARNES F. HEADLAMP | 1 |
| 25 | 90103001036 | HOOK BRACKET ABS HOSE | 1 |

139021410

C159021410

* NEW PART

X ON DEMAND



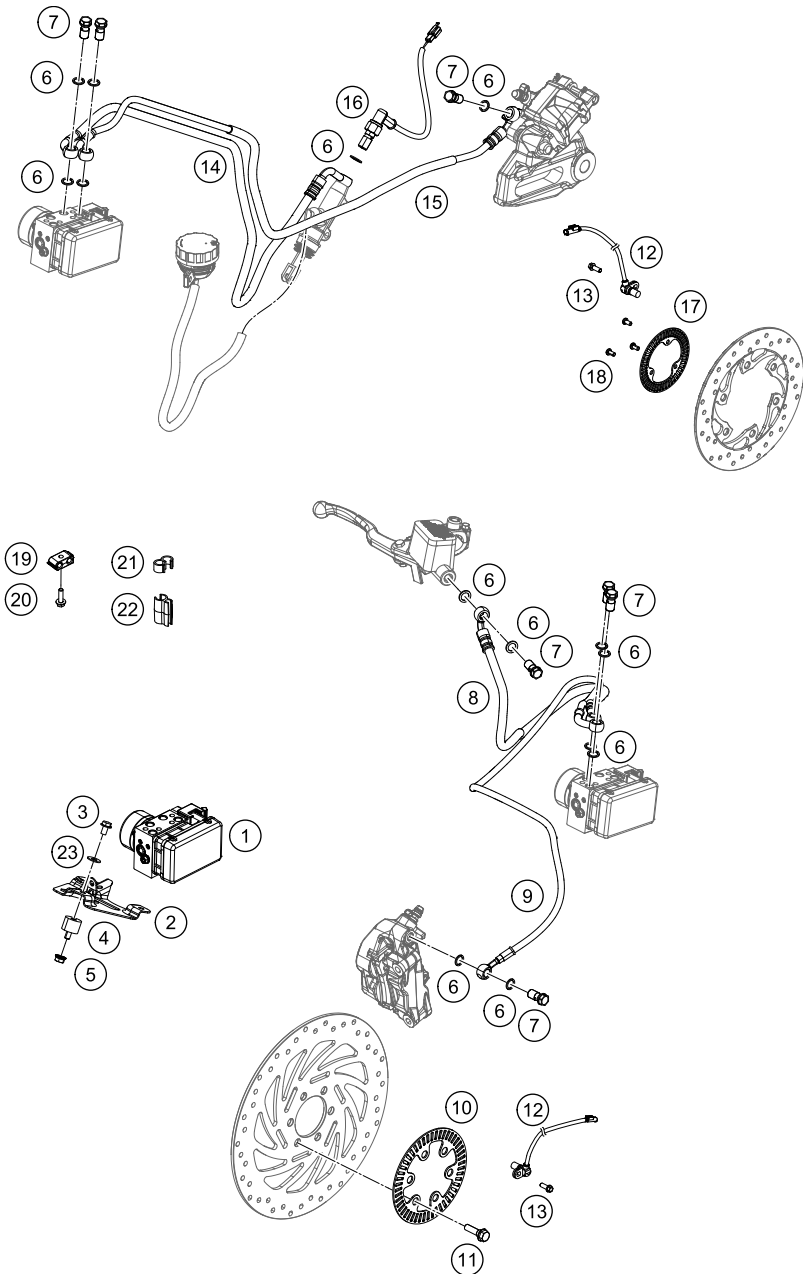
| POS | PARTNUMBER | PARTNAME | PIECE |
|-----|-------------|--------------------------------|-------|
| 1 | 90114169100 | SPEEDOMETER CPL. | 1 |
| 2 | 90114060000 | SPEEDOMETER SUPPORT | 1 |
| 3 | 90114063000 | BRACKET F. SPEEDOM.CONN. | 1 |
| 4 | 90114063050 | RUB. STRAP F. BKT SPEEDOM.CONN | 1 |
| 5 | 90114060050 | GROMMET DASHBOARD | 3 |
| 6 | 90114064013 | PLAIN WASHER | 1 |
| 7 | 0081050121 | SCREW FOR PLASTIC K50X12 T20 | 3 |
| 8 | J021060156 | AH SCREW M6X15 10.9 | 2 |
| 9 | 90114060002 | SPECIAL WASHER | 2 |
| 10 | 90114060003 | COLLAR BUSHING | 2 |
| 13 | 90111066000 | IGNITION LOCK | 1 |
| 14 | J025060163 | HH COLLAR SCREW M6X16 SW10 | 2 |
| 15 | 90607008000 | TANK CAP | 1 |
| 16 | 90107050050 | SEAT LOCK | 1 |
| 17 | 90107050051 | BRACKET SEAT LOCK | 1 |
| 20 | 90111066044 | LOCK SET 3-PART | x |
| 21 | 90111067100 | BLANK KEY 125/200 DUKE | x |

149021430

C149021430

* NEW PART

X ON DEMAND



| POS | PARTNUMBER | PARTNAME | PIECE |
|-----|-------------|--------------------------------|-------|
| 1 | 90642031000 | ABS-MODULE | 1 |
| 2 | 90642040000 | BRACKET ABS MOUNTING | 1 |
| 3 | J026060083 | HH COLLAR SCREW M6X8 SW10 | 3 |
| 4 | 90135001001 | RUBBER GROMMET | 3 |
| 5 | J926060000 | FLANGED NUT M6 WS10 SELF LOCK. | 3 |
| 6 | 90113026000 | COPPER GASKET | 16 |
| 7 | 90113013000 | BANJO SCREW | 7 |
| 8 | 90642002000 | BRAKE HOSE ABS/MASTER CYL. FR | 1 |
| 9 | 90642004000 | BRAKE HOSE FR ABS TO CALIPER | 1 |
| 10 | 90142020000 | SENSOR DISC FRONT | 1 |
| 11 | 90109062000 | SPECIAL SCREW M8X30 SELF LOCK. | 6 |
| 12 | 90142025000 | ABS-SENSOR | 2 |
| 13 | J028060166 | BOLT M6X16 | 2 |
| 14 | 90642003000 | BRAKE HOSE ABS/MASTER CYL. RR | 1 |
| 15 | 90642001000 | BRAKE HOSE RR ABS TO CALIPER | 1 |
| 16 | 90111051000 | BRAKE LIGHT SWITCH REAR | 1 |
| 17 | 90142021000 | SENSOR DISC REAR | 1 |
| 18 | 90142021001 | SCREW FOR ABS | 3 |
| 19 | 90113024000 | CLAMP FOR ABS HOSE | 1 |
| 20 | J025050183 | BOLT M5X18 | 1 |
| 21 | 90113035000 | CLAMP SENSOR CABLE HOLDING | 4 |
| 22 | 90113055100 | HOSE CLAMP | 2 |
| 23 | 90108015020 | WASHER | 3 |

139014210

C139014210

* NEW PART

X ON DEMAND

A large, empty rectangular box with a thin black border, occupying the majority of the page. It is intended for handwritten notes.

A large, empty rectangular box with a thin black border, occupying the majority of the page. It is intended for handwritten notes.

A large, empty rectangular box with a thin black border, occupying the majority of the page. It is intended for handwritten notes.

WWW.KTM.COM



KTM Sportmotorcycle GmbH
5230 Mattighofen, Austria
www.ktm.com



KTM_POWERPARTS

KTM_POWERWEAR

KTM_ORIGINAL SPARE PARTS



3CFF400302EN

Art. Nr.: 3CFF400302EN 29. Apr 2016