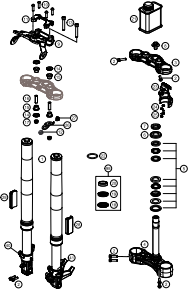
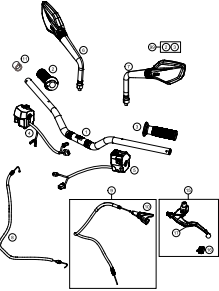
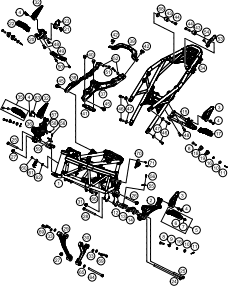
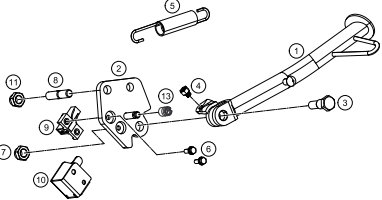
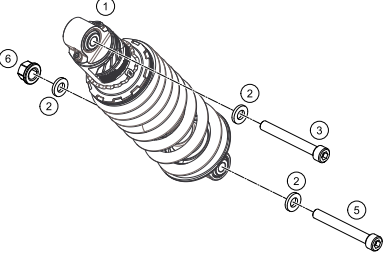
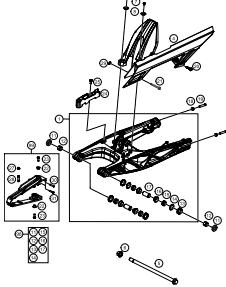
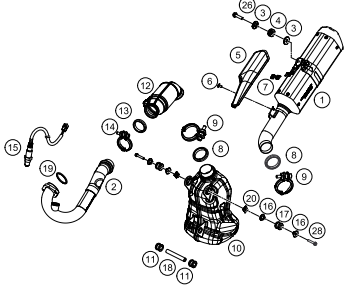
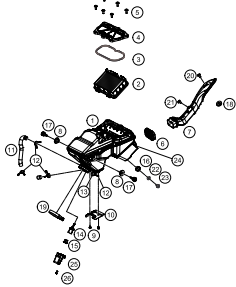
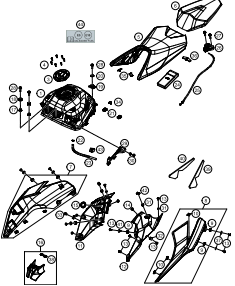
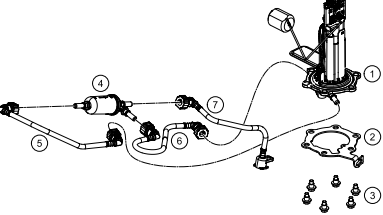
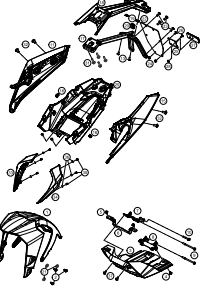
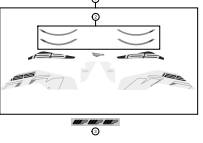
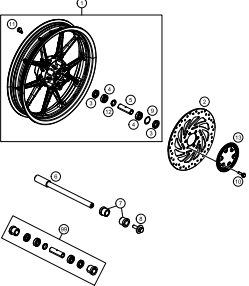
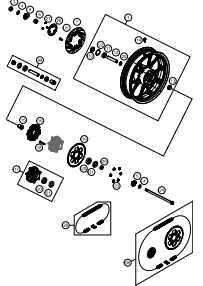
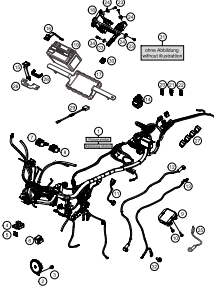
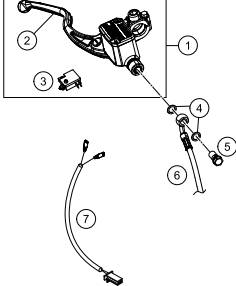
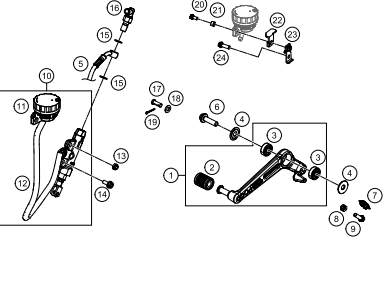
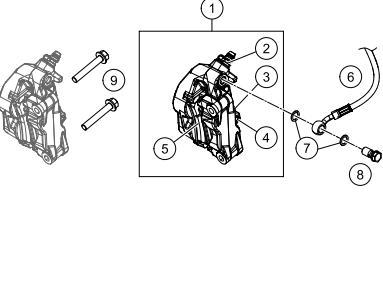
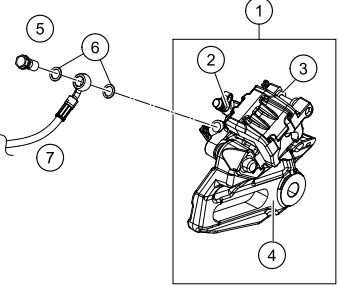
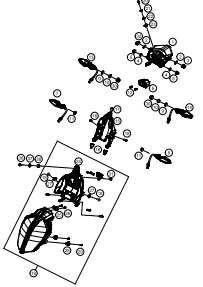
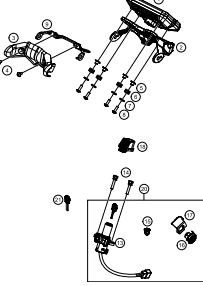
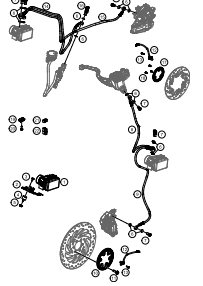


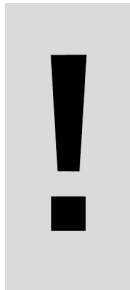
125 Duke, orange, 2019 EU 2019

ART.-NR.: F4003S1EN



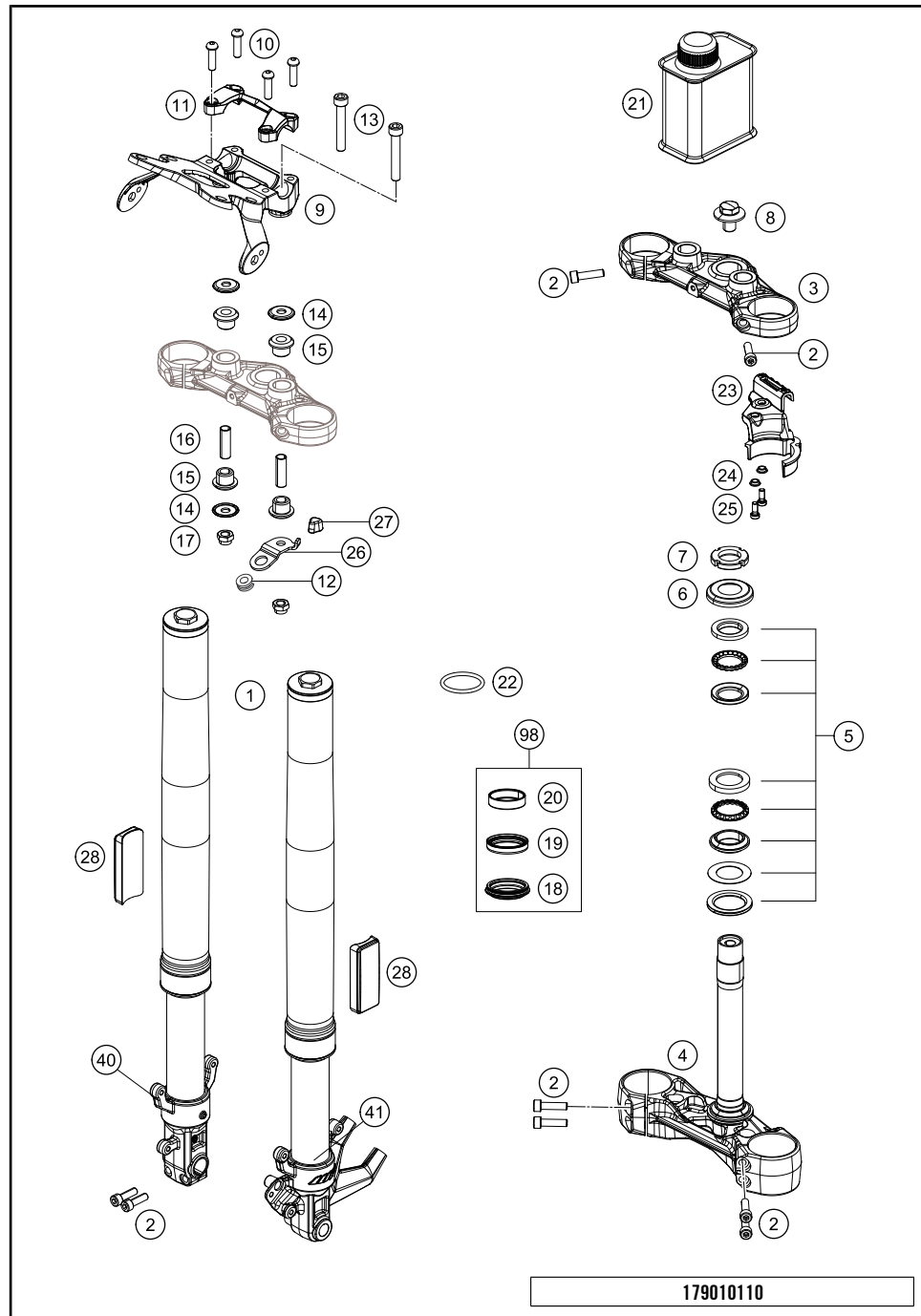
| | | | |
|--|---|--|---|
| <p>FRONT FORK, TRIPLE CLAMP</p>  <p>4</p> | <p>HANDLEBAR, CONTROLS</p>  <p>5</p> | <p>FRAME</p>  <p>6</p> | <p>SIDE / CENTER STAND</p>  <p>8</p> |
| <p>SHOCK ABSORBER</p>  <p>9</p> | <p>SWING ARM</p>  <p>10</p> | <p>EXHAUST SYSTEM</p>  <p>11</p> | <p>AIR FILTER</p>  <p>12</p> |
| <p>TANK, SEAT</p>  <p>13</p> | <p>FUEL PUMP</p>  <p>15</p> | <p>MASK, FENDERS</p>  <p>16</p> | <p>DECAL</p>  <p>17</p> |

| | | | |
|--|---|---|--|
| <p>FRONT WHEEL</p>  <p>18</p> | <p>REAR WHEEL</p>  <p>19</p> | <p>WIRING HARNESS</p>  <p>20</p> | <p>FRONT BRAKE CONTROL</p>  <p>21</p> |
| <p>REAR BRAKE CONTROL</p>  <p>22</p> | <p>FRONT BRAKE CALIPER</p>  <p>23</p> | <p>REAR BRAKE CALIPER</p>  <p>24</p> | <p>LIGHTING SYSTEM</p>  <p>25</p> |
| <p>INSTRUMENTS / LOCK SYSTEM</p>  <p>26</p> | <p>ANTIBLOCK SYSTEM ABS</p>  <p>27</p> | | |

| | | | |
|--|---|---|--|
| | | | |
| | | | |
| |  | <p>All information contained is without obligation. KTM Sportmotorcycle GmbH particularly reserves the right to modify any equipment, technical specifications, prices, colors, shapes, materials, services, service work, constructions, equipment and the like so as to adapt them to local conditions or to cancel any of the above items, all without previous announcement and without giving reasons. KTM may stop manufacturing certain models without previous notice. KTM shall not be held liable for any deviations of availability and/or ability to deliver, illustrations, descriptions, printing and/or other errors. The illustrated models partly contain extra equipment, which is not applied to standard models.</p> <p>© by KTM Sportmotorcycle GmbH, Mattighofen AUSTRIA; All rights reserved; Reprint, also in extracts, with written allowance of KTM Sportmotorcycle GmbH, Mattighofen only.</p> | |

FRONT FORK, TRIPLE CLAMP

125 Duke, orange, 2019 EU 2019

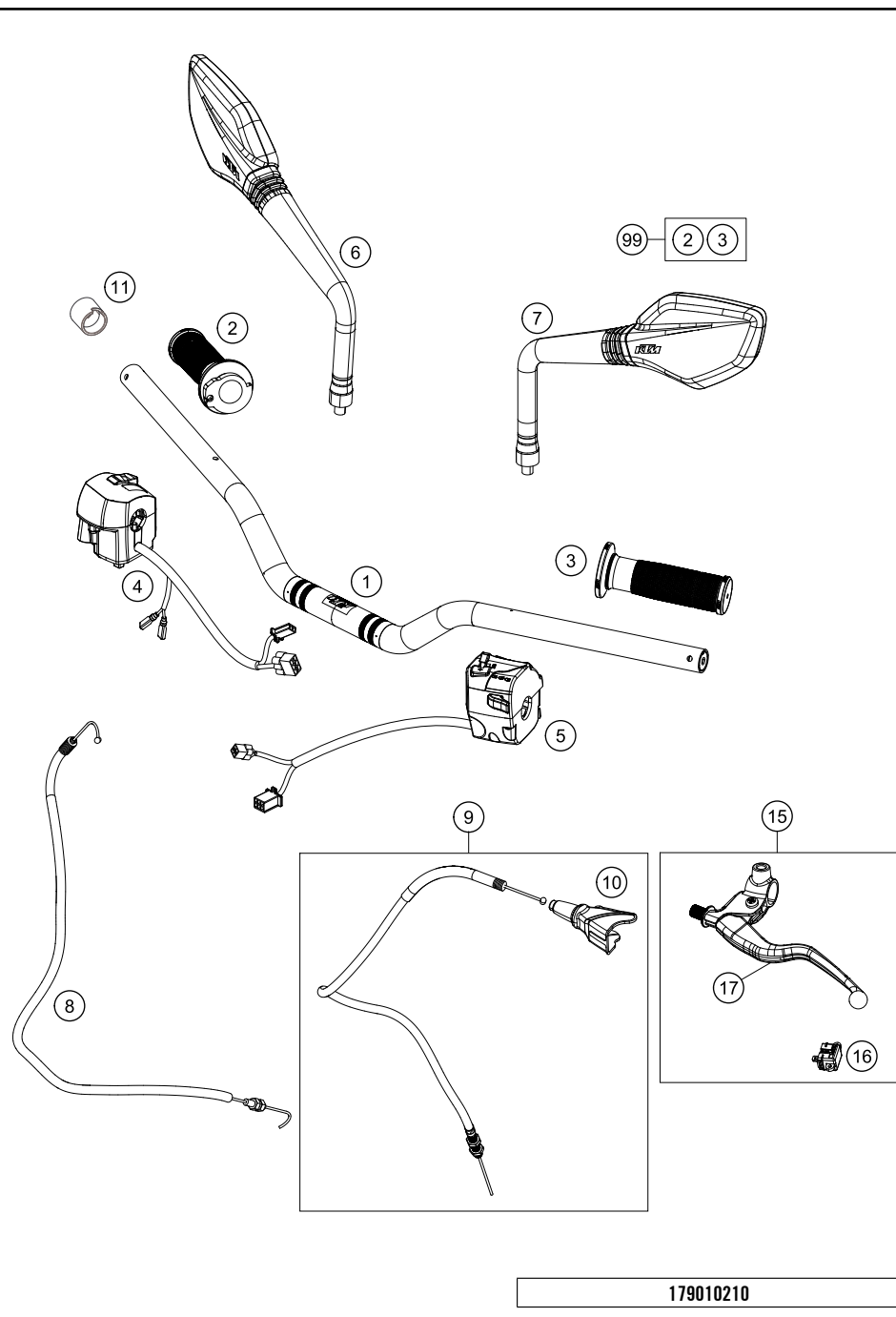


| POS | PARTNUMBER | PARTNAME | PIECE |
|-----|-------------|--------------------------------------|-------|
| 1 | 93101001100 | Assembly leg lh 200 HD | 1 |
| 1 | 93101002100 | Fork leg r/s cpl. | 1 |
| 2 | 90501045000 | AH SCREW M8X1.25X30 | 8 |
| 3 | 93001034033 | Upper triple clamp GDC | 1 |
| 4 | 93001032133 | assembly lower triple clamp GDC | 1 |
| 5 | 90101080044 | STEERING HEAD BEARING-KIT | 1 |
| 6 | 90101086000 | protection cap | 1 |
| 7 | 90101036000 | adjusting ring steering head | 1 |
| 8 | 90501044000 | steering head screw | 1 |
| 9 | 93014064000 | Holder handsbar CUM TFT speedo | 1 |
| 10 | J912080293 | Bolt socket-M8X1.25XI 29Xblack | 4 |
| 11 | 93001038000 | Handlebar clamp | 1 |
| 12 | 93032060030 | Sleeve clutch cable guide | 1 |
| 13 | 93001044000 | hexagon socket screw M10X1.25X12 8.8 | 2 |
| 14 | 90101042000 | WASHER 10,5X32X2 | 4 |
| 15 | 90101040000 | RUBBER BUSHING | 4 |
| 16 | 93001041000 | Spacer tube 10.2X12X42 | 2 |
| 17 | J982101253 | SELF L. NUT M10X1,25 H11 WS17 | 1 |
| 18 | 43570624 | Dirt scarper SKF 43mm black | 2 |
| 19 | 43570623 | Shaft seal SKF 43x52,9x11,4 black | 2 |
| 20 | 43570618 | Guide bushing 42x44x20 | 2 |
| 21 | 48601166S1 | FORK OIL SAE4 5L | 1 |
| 22 | 40140024 | O-ring 43x2 NBR70 siliconized yellow | 2 |
| 23 | 93013055000 | Hose clamp | 1 |
| 24 | 90113055010 | sleeve for hose clamp | 2 |
| 25 | J021060156 | AH SCREW M6X15 10.9 | 2 |
| 26 | 93032059000 | Bracket clutch cable guide | 1 |
| 27 | 93032060020 | RUBBER CLUTCH CABLE GUIDE | 1 |
| 28 | 90212582001 | side reflector, front | 2 |
| 40 | 93001007033 | assembly fork pipe rh. | 1 |
| 41 | 93001006033 | assembly fork pipe lh. | 1 |
| 98 | 90101000010 | REP. KIT FORK KPL. | x |

* NEW PART X ON DEMAND

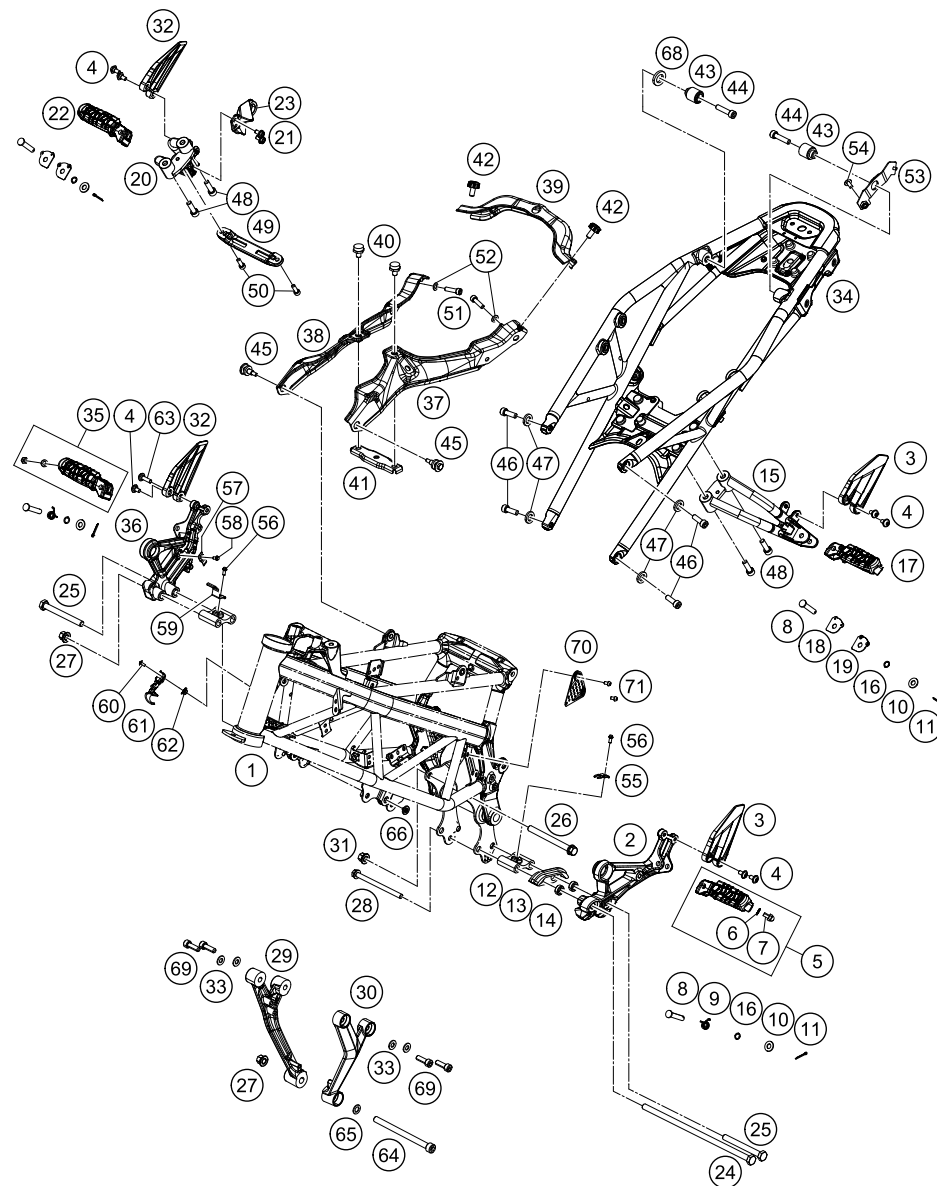
HANDLEBAR, CONTROLS

125 Duke, orange, 2019 EU 2019



| POS | PARTNUMBER | PARTNAME | PIECE |
|-----|-------------|----------------------------------|-------|
| 1 | 93002001000 | Handlebar | 1 |
| 2 | 90102010100 | THROTTLE GRIP | 1 |
| 3 | 90502039000 | FIXED GRIP | 1 |
| 4 | 93011074000 | Handlebar switch right | 1 |
| 5 | 93011070000 | Light switch | 1 |
| 6 | 93012041000 | Mirror right | 1 |
| 7 | 93012040000 | Mirror left | 1 |
| 8 | 93002091000 | Throttle cable 125 | 1 |
| 9 | 93002090000 | Clutch cable | 1 |
| 10 | 90102016000 | PROTECTION CAP THROTTLE CABLE | 1 |
| 11 | 93011074010 | Distance holder handlebar switch | 1 |
| 15 | 93032060000 | Clutch armature complete | 1 |
| 16 | 90511049000 | clutch switch | 1 |
| 17 | 93002031000 | Clutch lever - NON Adjustable | 1 |
| 99 | 90102121000 | GRIP SET | 1 |

18345 * NEW PART X ON DEMAND



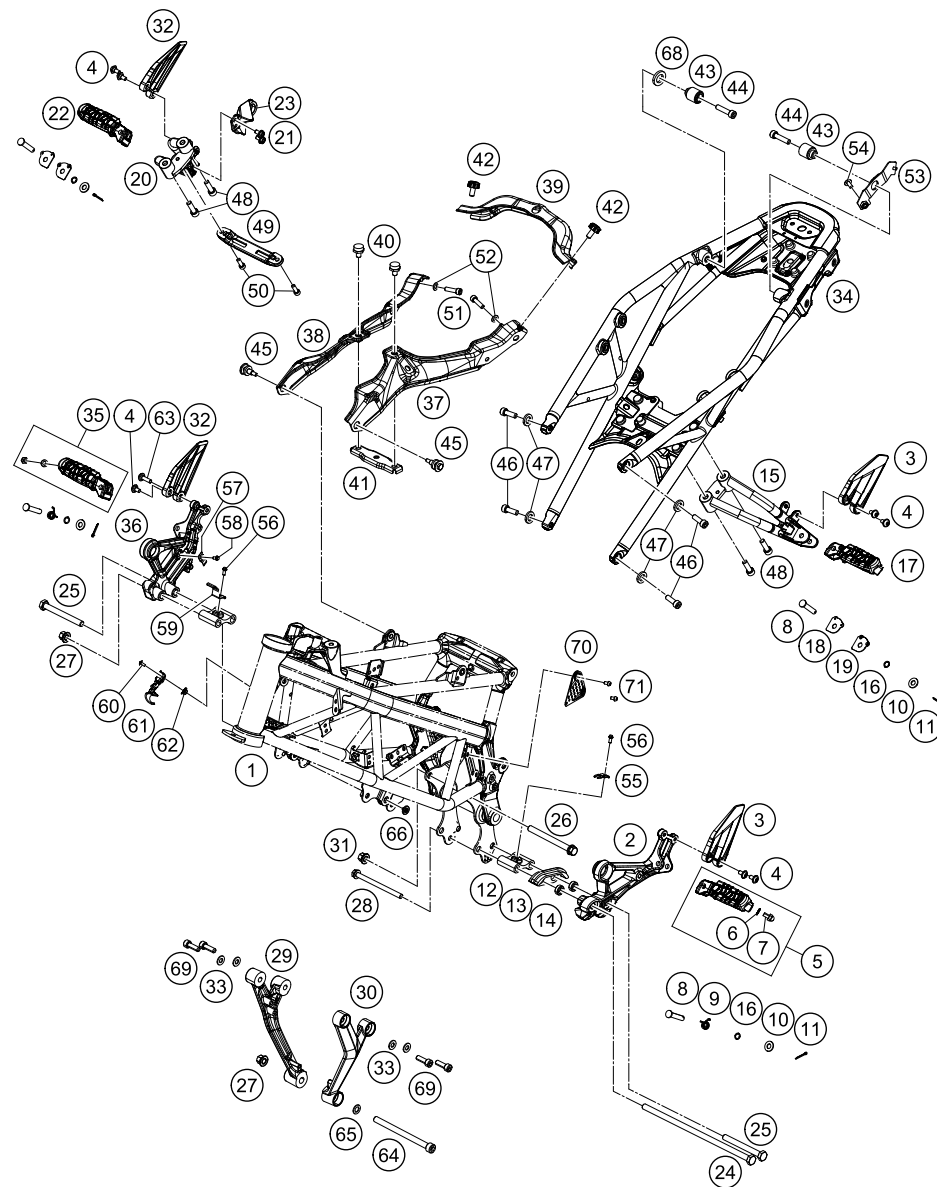
189010310

| POS | PARTNUMBER | PARTNAME | PIECE |
|-----|---------------|--------------------------------|-------|
| 1 | 9300300110030 | Frame Duke 18 black | 1 |
| 2 | 93003038000 | Footrest bracket front left | x |
| 3 | 93003048050 | Heel protector left | 2 |
| 4 | 93008020060 | Screw M6X1X9 | x |
| 5 | 93003140033 | Front footpeg compl. left | 1 |
| 6 | 90103040001 | PLAIN WASHER 6,4X12X1 | 2 |
| 7 | J029060103S | CAP SCREW M6X10 SS | 2 |
| 8 | 93003054000 | Pin footrest pivot black | 4 |
| 9 | 90103042000 | footrest return spring | 2 |
| 10 | J125080004 | WASHER M8 | 4 |
| 11 | J094018250 | PIN 25X1,8MM | 4 |
| 12 | 90103038001 | footrest support holder, front | 2 |
| 13 | 90104070000 | chainguide | 1 |
| 14 | 90104066010 | spacer chainguide | 2 |
| 15 | 93003048000 | Footrest bracket rear left | 1 |
| 16 | J770009015 | O-RING 9X1,5 | 4 |
| 17 | 93003150033 | Rear footpeg compl. left | 1 |
| 18 | 93003053000 | Plate lock pillion step bottom | 2 |
| 19 | 93003052000 | Plate lock pillion step top | 2 |
| 20 | 93003049000 | Footrest bracket rear right | 1 |
| 21 | J025060101 | Hexagon screw M6X10 | 2 |
| 22 | 93003151033 | Rear footpeg compl. right | 1 |
| 23 | 93005084000 | Retaining bracket | 1 |
| 24 | J025102656 | HH COLLAR SCREW M10X1,25X265 | 1 |
| 25 | J025100926 | HH COLLAR SCREW M10X1,25X92 | 2 |
| 26 | J025101103 | HH COLLAR SCREW M10X110 WS14 | 1 |
| 27 | 90103038002 | FLANGED NUT M10X1,25 WS14 | 2 |
| 28 | J027081053 | HH COLLAR SCREW M8X105 SW12 | 1 |
| 29 | 93003006000 | Engine brace right | 1 |
| 30 | 93003005000 | Engine brace left 125/200 | 1 |
| 31 | 93003005100 | Nut socket-M10x1.25 | 1 |
| 32 | 93003049050 | Heel protector right | 2 |
| 33 | J125080005 | WASHER M8 | 4 |
| 34 | 93003002000EB | Rear frame orange | 1 |
| 35 | 93003141033 | Front footpeg compl. right | 1 |
| 36 | 93003039000 | Footrest bracket front right | 1 |
| 37 | 93003002050 | Bracket spider lh | 1 |
| 38 | 93003002151 | Bracket spider rh | 1 |

51771

* NEW PART

X ON DEMAND



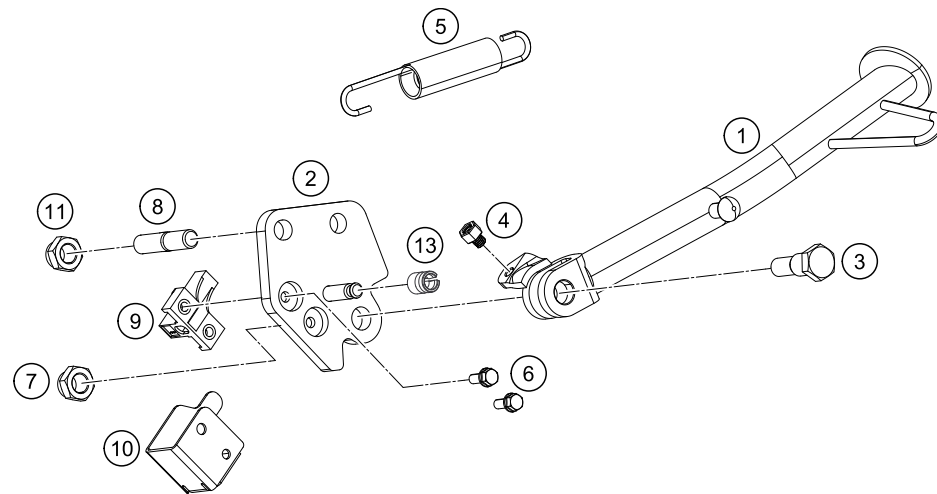
189010310

| POS | PARTNUMBER | PARTNAME | PIECE |
|-----|-------------|----------------------------------|-------|
| 39 | 93003002030 | Bracket seat mount loose | 1 |
| 40 | 93007044000 | Retaining pin | 2 |
| 41 | 93003001070 | Seat cowl front complete | 1 |
| 42 | 93008023000 | Rubber buffer | 2 |
| 43 | 93007047033 | Seat support complete | 2 |
| 44 | J912080303 | hexagon socket screw M8X30 | 2 |
| 45 | 93007046050 | Screw | 2 |
| 46 | 93003002070 | hexagon socket screwM8X1.25X25 | 4 |
| 47 | 93003002080 | Washer Plain-ID8.2XOD 14XT 2 BLK | 4 |
| 48 | 90103098000 | BOLT | 4 |
| 49 | 93003056000 | Passenger footrest bracket | 1 |
| 50 | J912060143 | Hex socket screw M6X14 | 2 |
| 51 | 93008019070 | hexagon socket screw M8X31 | 2 |
| 52 | J125080002 | Washer plain | 2 |
| 53 | 93006040060 | Retaining bracket | 1 |
| 54 | J005050123 | FLAT HEAD SCREW M5X12 PH | 1 |
| 55 | 90111045050 | CABLE BRACKET | 1 |
| 56 | 90103032000 | FLANGED BOLT M6X14 | 2 |
| 57 | 93013041000 | Retaining bracket | 1 |
| 58 | J025060109 | HH-COLLAR SCREW M6X10 SW8 | 1 |
| 59 | 93013026000 | Support | 1 |
| 60 | J031050121 | Roundhead screw M4X12 | 1 |
| 61 | 93032059010 | Guide clutch cable | 1 |
| 62 | 90108050001 | CLIP NUT M5 | 1 |
| 63 | 93008043000 | Screw M6X1X25 | 1 |
| 64 | J912101283 | Hexagon screw M10X128 | 1 |
| 65 | J125100009 | Washer M10 | 1 |
| 66 | 90108023100 | Clip | 2 |
| 68 | J125140003 | Washer - plain | 1 |
| 69 | J912080251 | Hexagon screw M8X25 | 4 |
| 70 | 93008041060 | guard ih | 1 |
| 71 | J031060106 | SCREW BUTTON HEAD-M5X0.8XL 8XB | 2 |

51771

* NEW PART

X ON DEMAND



| POS | PARTNUMBER | PARTNAME | PIECE |
|-----|-------------|-----------------------------------|-------|
| 1 | 90103023000 | SIDE STAND | 1 |
| 2 | 93003026000 | Side stand bracket | 1 |
| 3 | 90103027000 | SCREW F. SIDE STAND | 1 |
| 4 | 90103029000 | MAGNET HOLDER | 1 |
| 5 | 90603024000 | SIDE STAND SPRING | 1 |
| 6 | J011050133 | HH COLLAR SCREW M5X13 SW8 | 2 |
| 7 | J982101253 | SELF L. NUT M10X1,25 H11 WS17 | 1 |
| 8 | 93003027000 | bolt stud-M10X1.25XL20XBXPREFCOAT | 2 |
| 9 | 93511045000 | SWITCH SIDE STAND | 1 |
| 10 | 90111045010 | GUARD F. SIDE STAND SWITCH | 1 |
| 11 | 93003034000 | nut U flang-M10X1.25XHT.8.5XBRT | 2 |
| 13 | 90111040100 | Bushing | 1 |

189020360

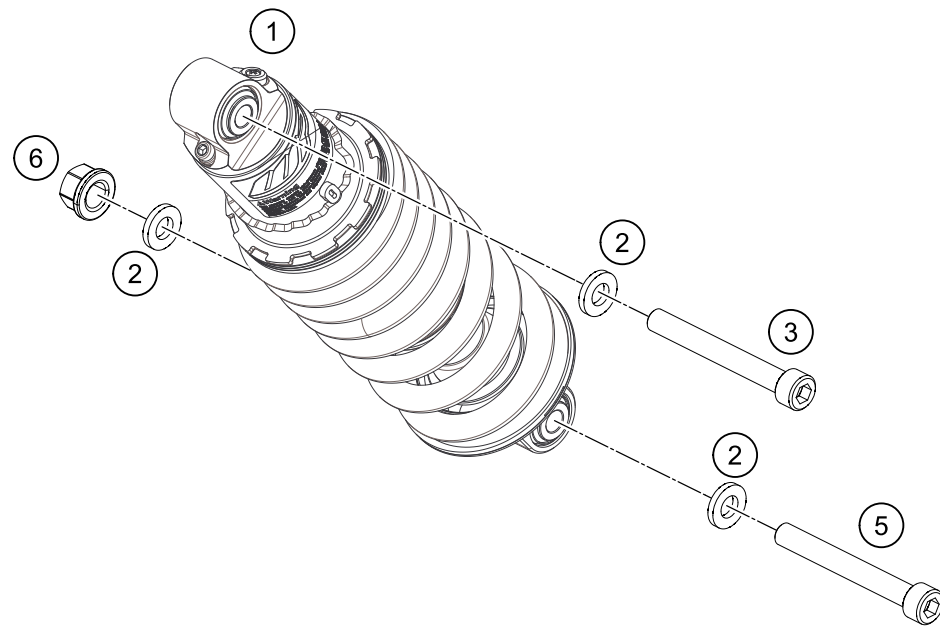
50181

* NEW PART

X ON DEMAND

SHOCK ABSORBER

125 Duke, orange, 2019 EU 2019



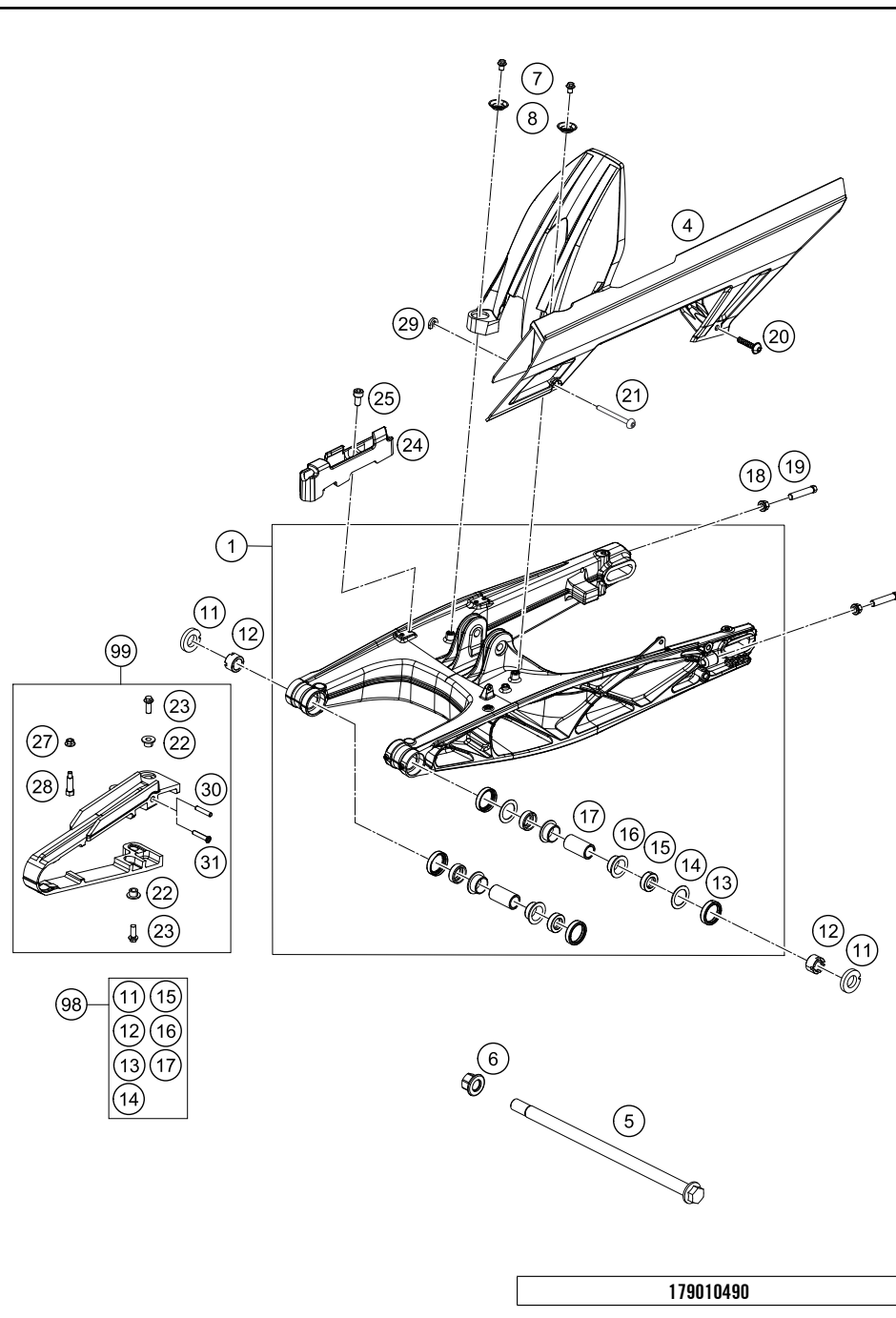
| POS | PARTNUMBER | PARTNAME | PIECE |
|-----|-------------|--------------------------------------|-------|
| 1 | 93104010044 | shockabsorber mono Duke 200 NHD MY17 | 1 |
| 2 | 90104010003 | PLAIN WASHER 10,2X20X3MM | 3 |
| 3 | 93004016100 | hexagon socket screw M10X1.25X62 | 1 |
| 5 | J020100806 | SHCS M10x1.25x80 - 10.9 | 1 |
| 6 | 90104010002 | flanged hex nut M10x1.25 WS13 | 1 |

179010410

18348

* NEW PART

X ON DEMAND

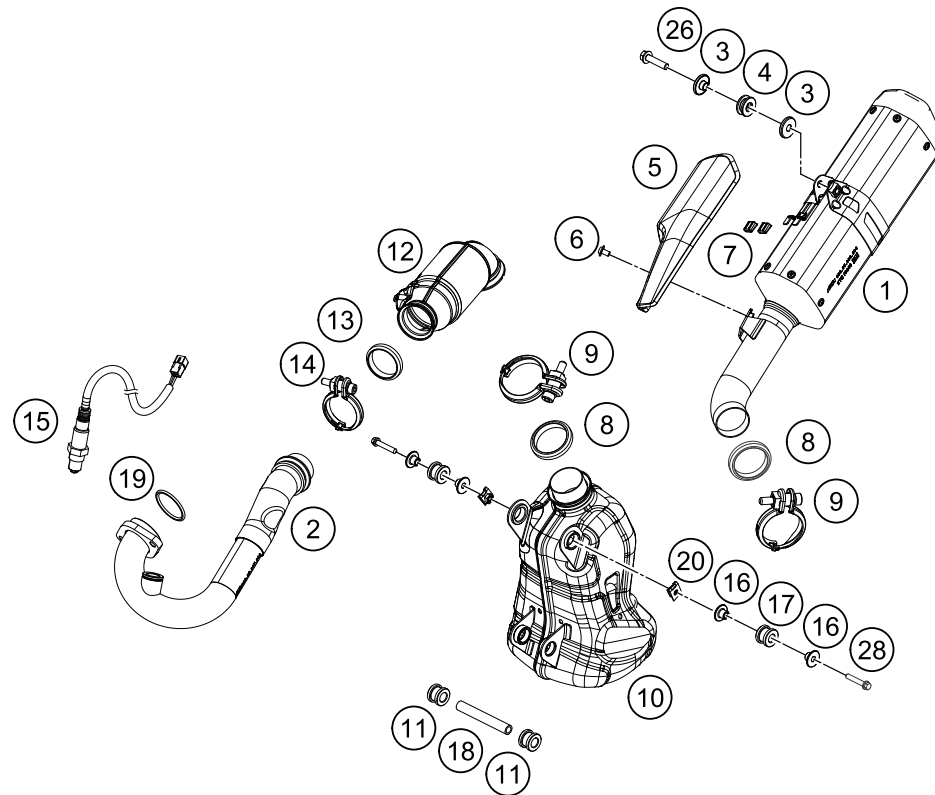


| POS | PARTNUMBER | PARTNAME | PIECE |
|-----|-------------|--------------------------------|-------|
| 1 | 90504030044 | SWING ARM CPL. | 1 |
| 4 | 93004060100 | Chain cover | 1 |
| 5 | 90104037000 | Shaft swing arm L=299mm | 1 |
| 6 | 90104038000 | FLANGED NUT M14X1,5 | 1 |
| 7 | J025060083 | HH COLLAR SCREW M6X8 SW8 | 2 |
| 8 | 93004051000 | Supporting shell | 2 |
| 11 | 93004042000 | Special wahser | 2 |
| 12 | 90104046000 | swingarm adjusting ring | 2 |
| 13 | 90104034001 | OIL SEAL RING 25X32X7 | 4 |
| 14 | 90104036000 | Thrust washer 22.2x31.7x1 | 2 |
| 15 | 90104034000 | cup for radial shaft seal | 4 |
| 16 | 90104031000 | lgus plain bearing | 4 |
| 17 | 90104032000 | sleeve bushing 15.1x20x38 | 2 |
| 18 | 90104010002 | flanged hex nut M10x1.25 WS13 | 2 |
| 19 | 90104040000 | BOLT HEX M10X1,25X50 WS10 | 2 |
| 20 | 93004064000 | Plastic screw 6x30 | 1 |
| 21 | 93004065000 | hexagon socket screw M5X0.8X55 | 1 |
| 22 | 90604062000 | chain slider bushing | 2 |
| 23 | J025060169 | HH COLLAR SCREW M6X16 SW8 | 2 |
| 24 | 93013047000 | Support | 1 |
| 25 | J912050101 | AH SCREW M5X10 | 1 |
| 27 | 90204060001 | HH COLLAR NUT | 1 |
| 28 | 90104040100 | screw M5x0.8x30 | 1 |
| 29 | 90504067000 | WASHER CHAIN SLIDING GUARD | 1 |
| 30 | 90104070020 | SLEEVE CHAIN GUARD | 1 |
| 31 | 90904070020 | SLEEVE CHAIN GUARD | 1 |
| 98 | 90104230010 | SWINGARM REP. KIT 11-17 | x |
| 99 | 90104066310 | CHAIN GUARD KIT 125/200 | x |

179010490

18349

* NEW PART X ON DEMAND



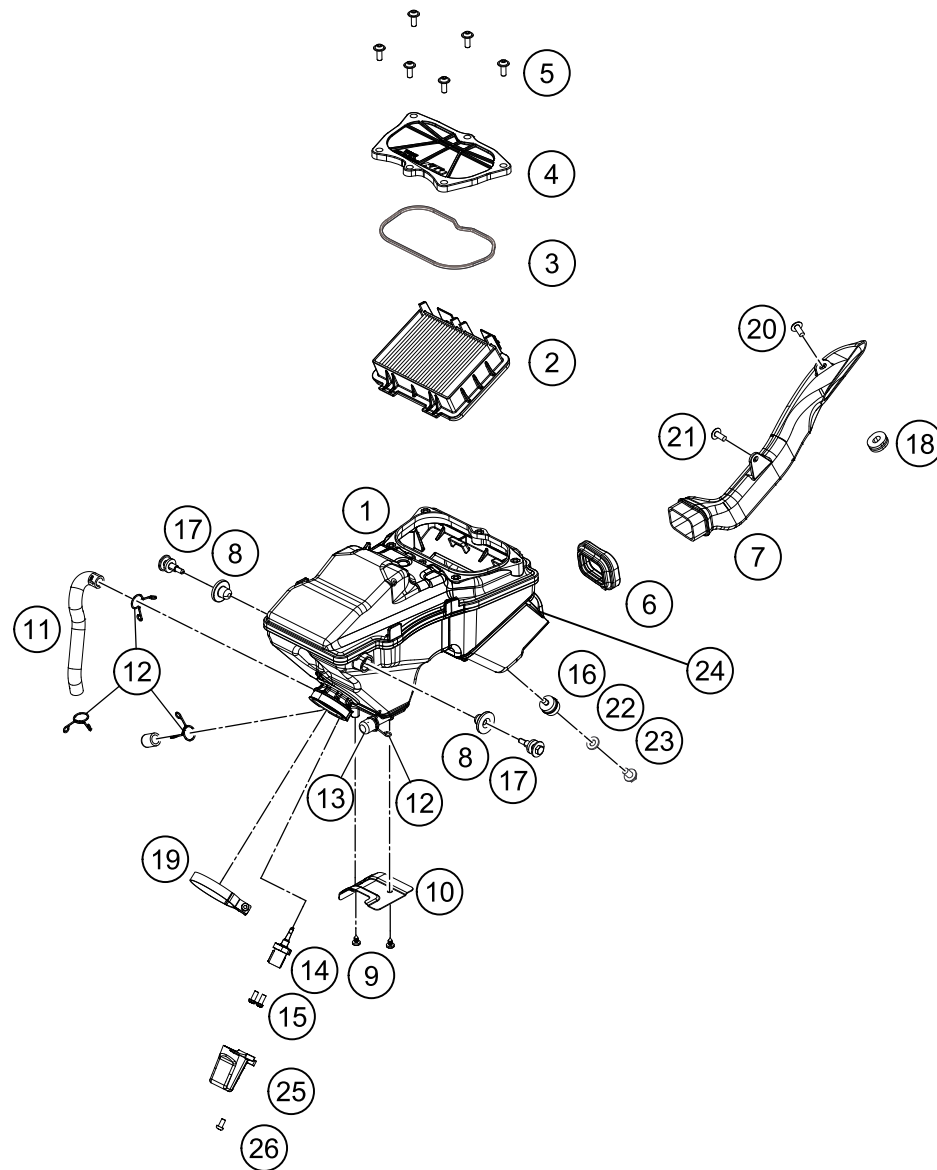
| POS | PARTNUMBER | PARTNAME | PIECE |
|-----|-------------|---------------------------------|-------|
| 1 | 93805083000 | MUFFLER CPL. | 1 |
| 2 | 93505007000 | Header complete | 1 |
| 3 | 93805095000 | BUSH MUFFLER | 2 |
| 4 | 93805096000 | DAMPER MUFFLER | 1 |
| 5 | 93805011000 | MUFFLER SHIELD | 1 |
| 6 | J031060103 | Lens head screw M6X10 | 1 |
| 7 | 93805011003 | GROMMET MUFFLER SHIELD | 2 |
| 8 | 93805005100 | GASKET PIPE C | 2 |
| 9 | 93805058100 | CLAMP DIA 60 | 2 |
| 10 | 93505050000 | pre muffler | 1 |
| 11 | 90105068100 | damper, bottom | 2 |
| 12 | 93505091033 | Catalytic converter | 1 |
| 13 | 93805005000 | GASKET PIPE B | 1 |
| 14 | 93805058000 | CLAMP DIA 54 | 1 |
| 15 | 90141090000 | oxygen sensor | 1 |
| 16 | 90205086001 | muffler mounting spacer bushing | 4 |
| 17 | 90205068000 | damper, bottom | 2 |
| 18 | 90105084000 | muffler mounting tube | 1 |
| 19 | 90105004000 | exhaust flange gasket | 1 |
| 20 | 90103097000 | clip nut | 2 |
| 26 | J025080353 | BOLT FLANGED M8X35 | 1 |
| 28 | 90105000002 | BOLT SILENCER MTG | 2 |

179010510

18350

* NEW PART

X ON DEMAND



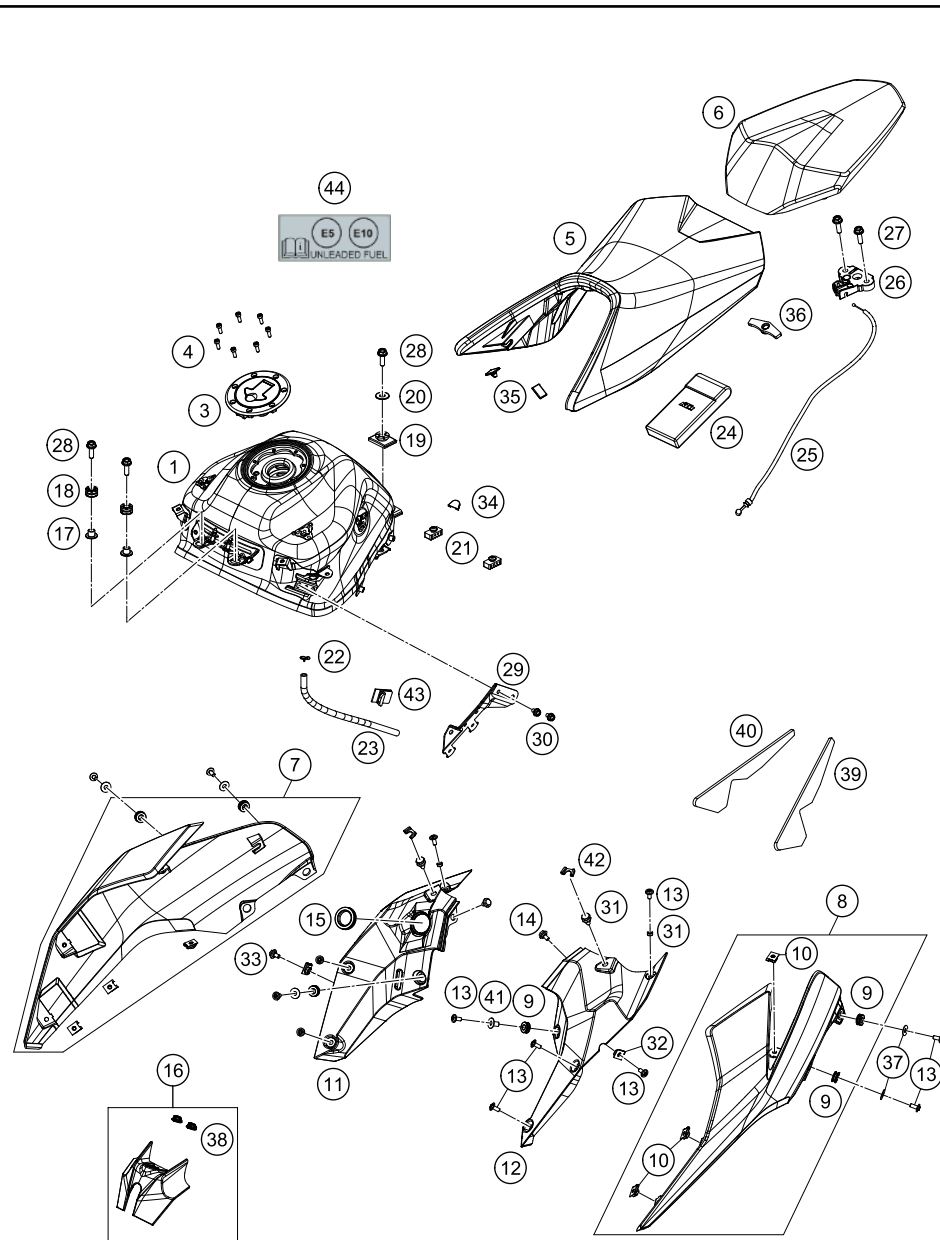
| POS | PARTNUMBER | PARTNAME | PIECE |
|-----|-------------|-------------------------------|-------|
| 1 | 93006001044 | Air filter box complete | 1 |
| 2 | 93006015000 | FILTER | 1 |
| 3 | 93006020050 | Seal | 1 |
| 4 | 93006002000 | Air filter box cover | 1 |
| 5 | 93006006000 | Lens head screw M6X16 | 4 |
| 6 | 93006001060 | Carburetor connection boot | 1 |
| 7 | 93006040000 | Duct dirty side | 1 |
| 8 | 93006001080 | Damping rubber | 2 |
| 9 | J031050103 | Screw Truss M5X0.8 | 2 |
| 10 | 93006001070 | Heat protection | 1 |
| 11 | 93030087200 | Engine vent hose | 1 |
| 12 | 90607017000 | CLAMP 16MM | 4 |
| 13 | 93030089000 | Plug | 1 |
| 14 | 93041080000 | Intake air temperature sensor | 1 |
| 15 | J005050126 | Lens head screw M5X12 | 2 |
| 16 | 90106001007 | SILENT BLOCK AIRFILTER | 1 |
| 17 | 93007046050 | Screw | 2 |
| 18 | 93008019010 | Rubber bushing | 1 |
| 19 | 90106027100 | HOSE CLAMP | 1 |
| 20 | 93008044000 | Sleeve spoiler inner RR MTG | 1 |
| 21 | J031050166 | Screw truss M5X16 | 1 |
| 22 | J125060001 | Washer - plain | 1 |
| 23 | J026060083 | HH COLLAR SCREW M6X8 SW10 | 1 |
| 24 | 93006001015 | Rubber cowl pad | 1 |
| 25 | 93041080060 | SENSOR COVER | 1 |
| 26 | J005050103 | FLAT HEAD SCREW M5X10 | 1 |

179010610

18351

* NEW PART

X ON DEMAND



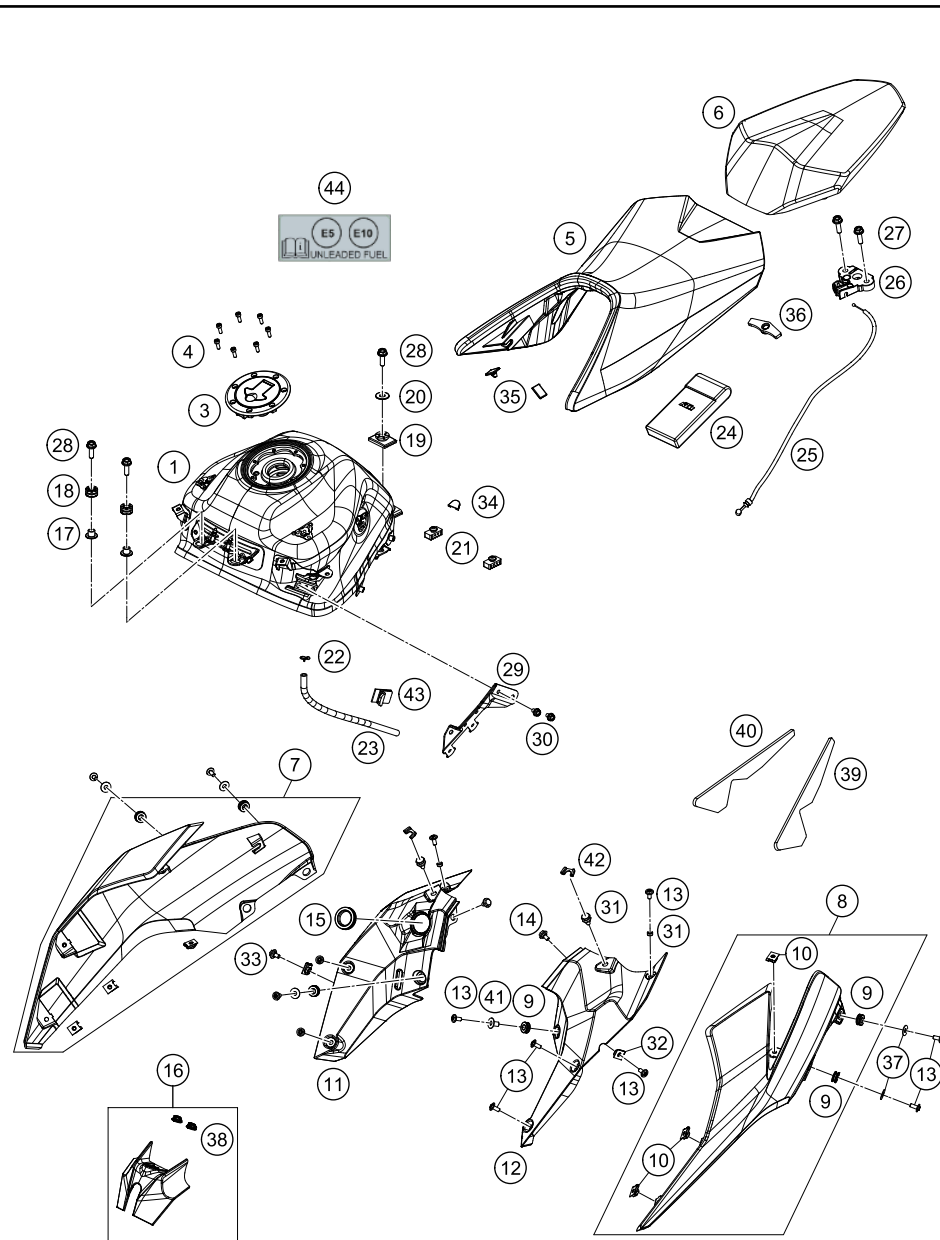
| POS | PARTNUMBER | PARTNAME | PIECE |
|-----|---------------|------------------------------------|-------|
| 1 | 93007013100 | Fuel tank EVAP MY17 duke 125 | 1 |
| 3 | 90507008000 | TANK CAP | 1 |
| 4 | J912050151 | AH SCREW M5X14 BLACK | 7 |
| 5 | 93007040000 | Rider seat | 1 |
| 6 | 93007047000 | Seat passenger complete | 1 |
| 7 | 93008051000EB | Frontspoiler right orange | 1 |
| 8 | 93008050000EB | Frontspoiler left orange | 1 |
| 9 | 930080500040 | Rubber bushing | 6 |
| 10 | 93003077000 | Clip nut M6 | 6 |
| 11 | 93008055000 | Inner cover right | 1 |
| 12 | 93008056000 | Inner cover left | 1 |
| 13 | 90508006001 | SOCKET HEAD BOLT M6X12 | 12 |
| 14 | 93008048000 | Special screw | 2 |
| 15 | 93035065010 | Rubber bushing | 1 |
| 16 | 93008057033 | Cover for ignition lock complete | 1 |
| 17 | 93008034000 | Bushing | 2 |
| 18 | 90507013006 | GROMMET TANK MOUNTING | 2 |
| 19 | 93007014000 | Tank guard rear | 1 |
| 20 | 90111060010 | WASHER PLAIN 8,4X25X2 | 1 |
| 21 | 93007040010 | Seat cowl pad | 2 |
| 22 | 90507017000 | HOSE CLAMP | 1 |
| 23 | 93015029050 | Hose active carbon filter | 1 |
| 24 | 90529099000 | TOOLKIT | 1 |
| 25 | 93007052000 | Cable seat lock | 1 |
| 26 | 93007050000 | Sseat lock ZSB | 1 |
| 27 | J025060203 | HH COLLAR SCREW M6X20 SW10 | 2 |
| 28 | J025080253 | Hexagon screw M8X25 | 3 |
| 29 | 93015102000 | Fastening | 1 |
| 30 | J025060103 | HH COLLAR SCREW M6X10 SW10 | 2 |
| 31 | 93008044000 | Sleeve spoiler inner RR MTG | 2 |
| 32 | 90103097000 | clip nut | 2 |
| 33 | 90108076000 | SPECIAL SCREW M6X12X3 | 1 |
| 34 | 93008059000 | Rubber cap tank | 4 |
| 35 | 90507047041 | SEAT DUMPER SOZIUS SEAT | 2 |
| 36 | 93007046000 | Seat cowl pad | 1 |
| 37 | 930080500050 | Washer 6.2X20X1.5 | 4 |
| 38 | 93011068010 | Rubber grommet ignition lock cover | 2 |
| 39 | 93007025020 | Tape cover LH | 1 |

199010710

51863

* NEW PART

X ON DEMAND



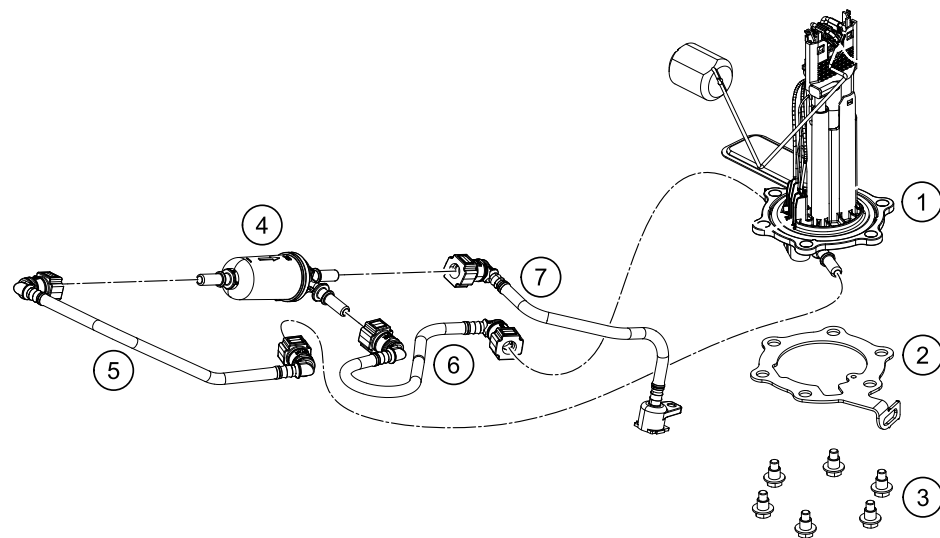
| POS | PARTNUMBER | PARTNAME | PIECE |
|-----|-------------|-----------------------------|-------|
| 40 | 93007025010 | Tape cover RH | 1 |
| 41 | 93014051000 | Sleeve-illumination bkt | 2 |
| 42 | 93008065000 | Rubber grommet tank spoiler | 2 |
| 43 | 90107029000 | BRACKET DRAIN TUBE CPL. | 1 |
| 44 | 21007098000 | Sticker fuel labelling | 1 |

199010710

51863

* NEW PART

X ON DEMAND



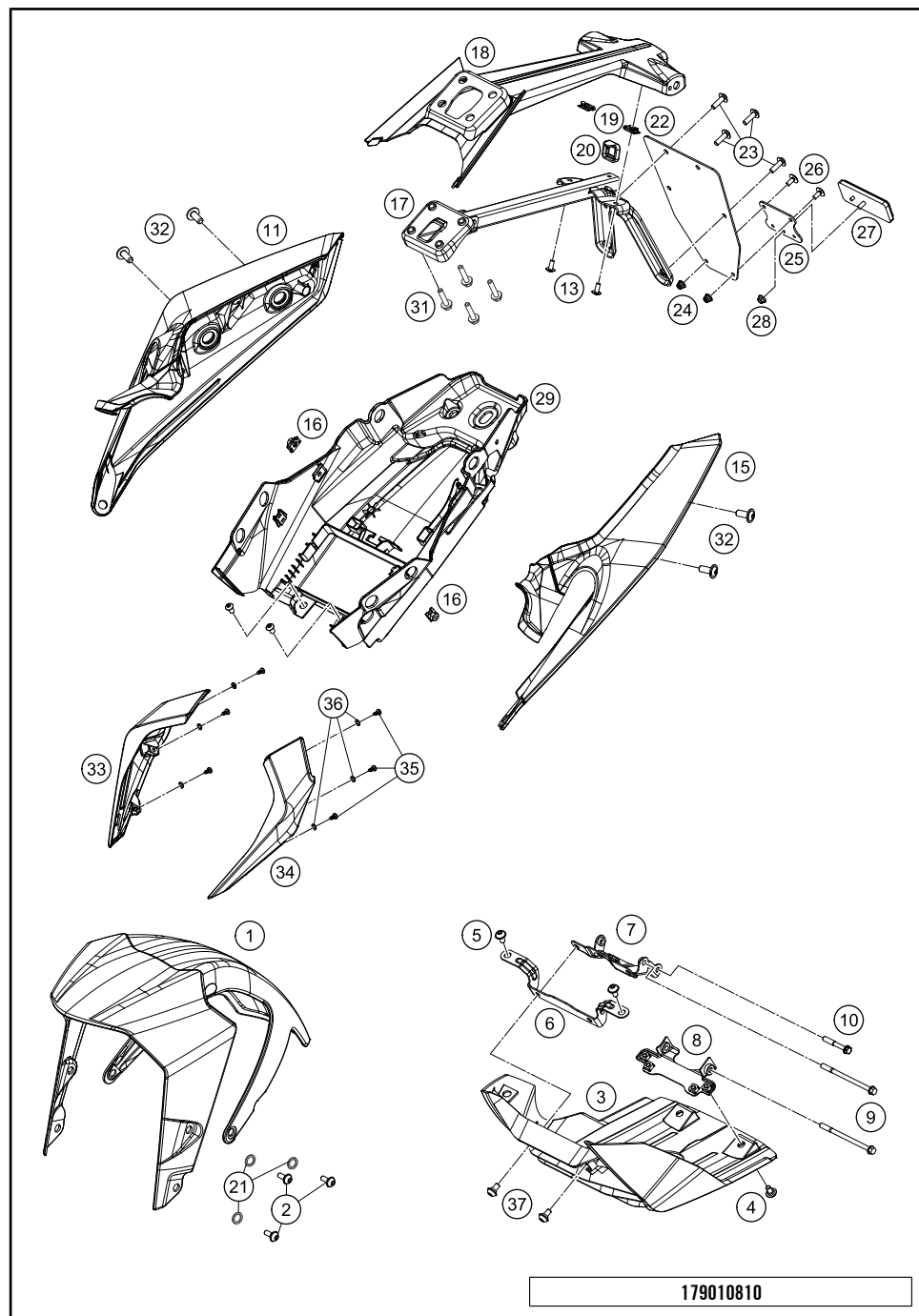
| POS | PARTNUMBER | PARTNAME | PIECE |
|-----|-------------|--|-------|
| 1 | 93007088000 | Fuel pump | 1 |
| 2 | 93041007000 | Flange for fuel pump | 1 |
| 3 | J025060128 | BOLT FLANGE- M6 X 1 X L12.8 XBRT XST | 6 |
| 4 | 93807018000 | fuel filter | 1 |
| 5 | 93007016100 | Fuel hose | 1 |
| 6 | 93007015000 | Fuel hose | 1 |
| 7 | 93141013000 | Injector upper part with hose complete | 1 |

179010730

18353

* NEW PART

X ON DEMAND

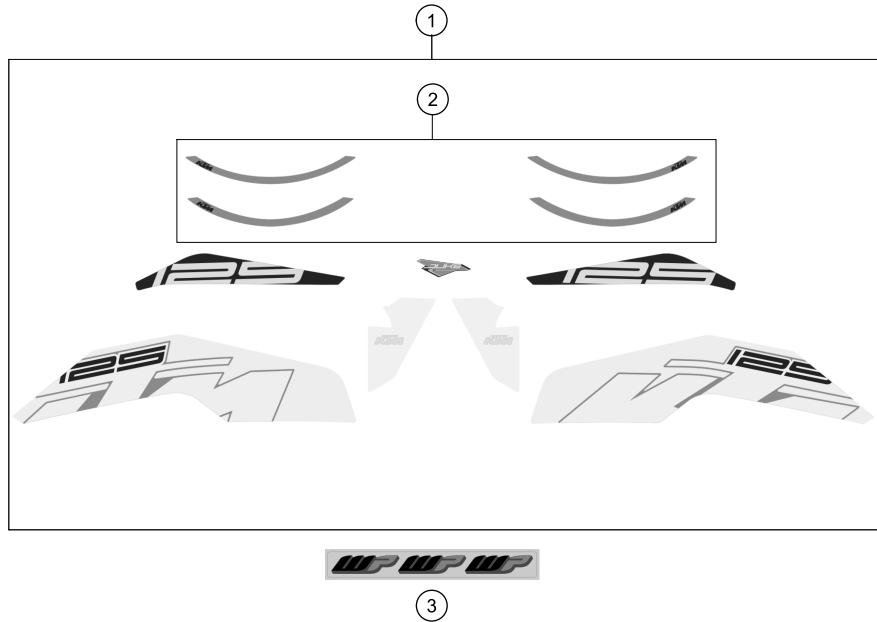


| POS | PARTNUMBER | PARTNAME | PIECE |
|-----|---------------|------------------------------------|-------|
| 1 | 9300801003330 | Front fender cpl. black | 1 |
| 2 | J031050161 | Panhead screw with shoulder | 6 |
| 3 | 93008020000 | Under-engine fairing 125/200 | 1 |
| 4 | 93008020060 | Screw M6X1X9 | 4 |
| 5 | 90508006001 | SOCKET HEAD BOLT M6X12 | 2 |
| 6 | 93008020050 | Retaining bracket | 1 |
| 7 | 90108021100 | RETAINING PLATE FRONT SPOILER | 1 |
| 8 | 90608025000 | Retaining bracket | 1 |
| 9 | J026060903 | HH COLLAR SCREW M6X90 | 2 |
| 10 | 93008021050 | Hexagon screw M6X1X40 | 1 |
| 11 | 9300804210028 | Side fairing rs cpl. white | 1 |
| 13 | J031050123 | Lens head screw M5X12 | 2 |
| 15 | 9300804110028 | Side fairing ls cpl. white | 1 |
| 16 | 90108050001 | CLIP NUT M5 | 2 |
| 17 | 93008015000 | License plate holder support | 1 |
| 18 | 93008015050 | License plate holder support cover | 1 |
| 19 | 93008083010 | Clip Nut M5 | 2 |
| 20 | 93008015010 | Protection rubber | 1 |
| 21 | 93009059000 | Washer nylon | 6 |
| 22 | 90808016000 | REAR FENDER EXT. | 1 |
| 23 | 90508006003 | AH SCREW M6X1X20 | 4 |
| 24 | 90102031010 | HEX NUT M5 AF8 | 2 |
| 25 | 90514044000 | REFLECTOR MOUNTING | 1 |
| 26 | J005050123 | FLAT HEAD SCREW M5X12 PH | 2 |
| 27 | 90514045000 | REFLECTOR | 1 |
| 28 | 90204060001 | HH COLLAR NUT | 1 |
| 29 | 93008019000 | Tail end lower part | 1 |
| 31 | J025060226 | Hex collar screw M6X22 | 4 |
| 32 | 90508008001 | AH SCREW M8X20 | 4 |
| 33 | 93008001000EB | Side mask right LED orange | 1 |
| 34 | 93008024000EB | Side mark left LED orange | 1 |
| 35 | J981030101 | Lens head screw M3,5X10 | 6 |
| 36 | J125040003 | Washer plain small 4.5X8X0.5XBLK | 6 |
| 37 | 93008040000 | Screw M6X1X13 | 2 |

51617

* NEW PART X ON DEMAND

| POS | PARTNUMBER | PARTNAME | PIECE |
|-----|-------------|----------------------------|-------|
| 1 | 90108199300 | Decal kit 125 Duke orange | 1 |
| 2 | 93008097000 | Kit DCL wheel rim D125-250 | x |
| 3 | 93001045000 | Decal Fork front WP | 2 |

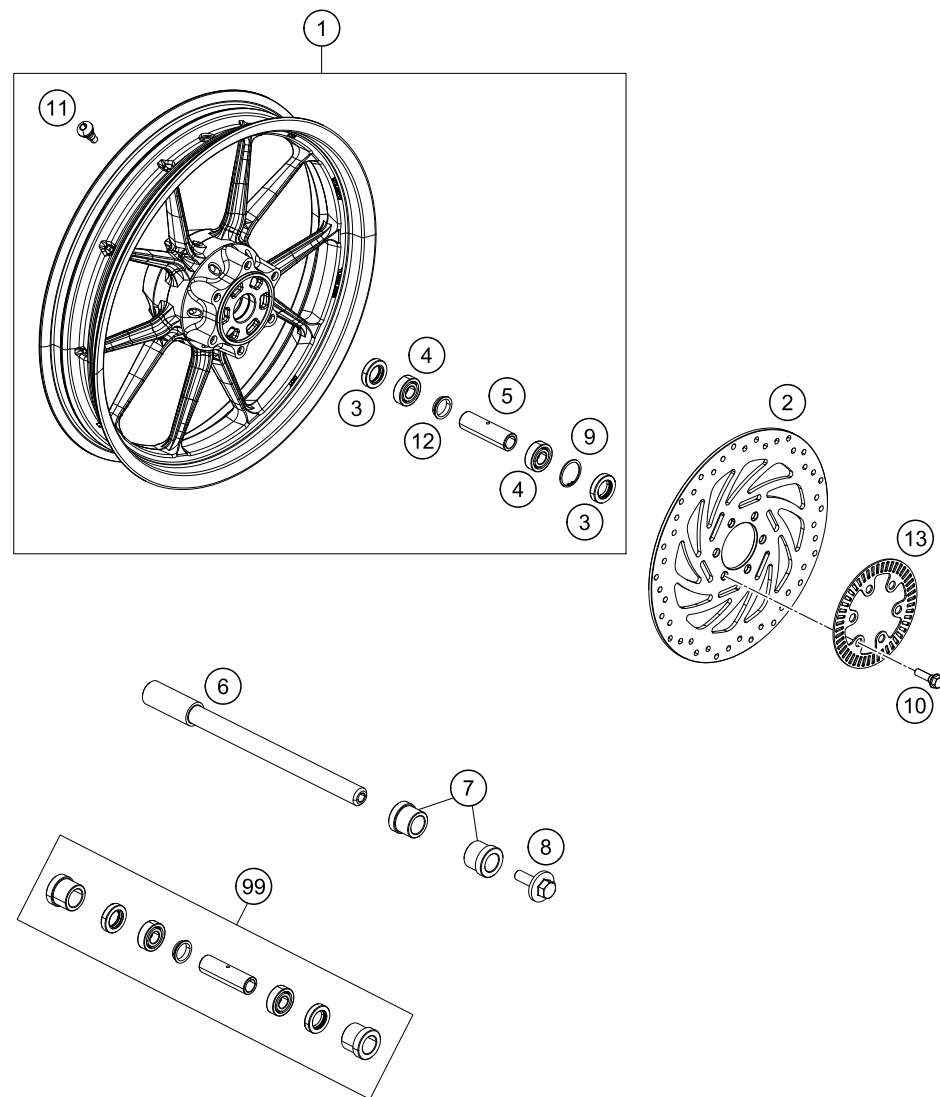


179010830

18354

* NEW PART

X ON DEMAND



| POS | PARTNUMBER | PARTNAME | PIECE |
|-----|---------------|--------------------------------|-------|
| 1 | 9300900104430 | Front wheel cpl. black | 1 |
| 2 | 93009060000 | Brake disc front D=300MM | 1 |
| 3 | J760223508 | SHAFT SEAL RING 22X35X8 | 2 |
| 4 | J625062023 | BALL BEARING 6202 | 2 |
| 5 | 90109011000 | Spacer front wheel | 1 |
| 6 | 93009081000 | Front axle | 1 |
| 7 | 90209083000 | BEARING BUSHING | 2 |
| 8 | 90109082000 | flanged bolt M8 | 1 |
| 9 | J472035150 | Circlip 35X1,5 | 1 |
| 10 | 90110062000 | SPECIAL SCREW M8X25 SELF LOCK. | 6 |
| 11 | 90109076000 | VALVE CPL. | 1 |
| 12 | 90109011001 | Fixation bearing spacer tube | 1 |
| 13 | 93042020000 | SENSORRING ABS | 1 |
| 99 | 90109015100 | FRONT WHEEL REP. KIT | 1 |

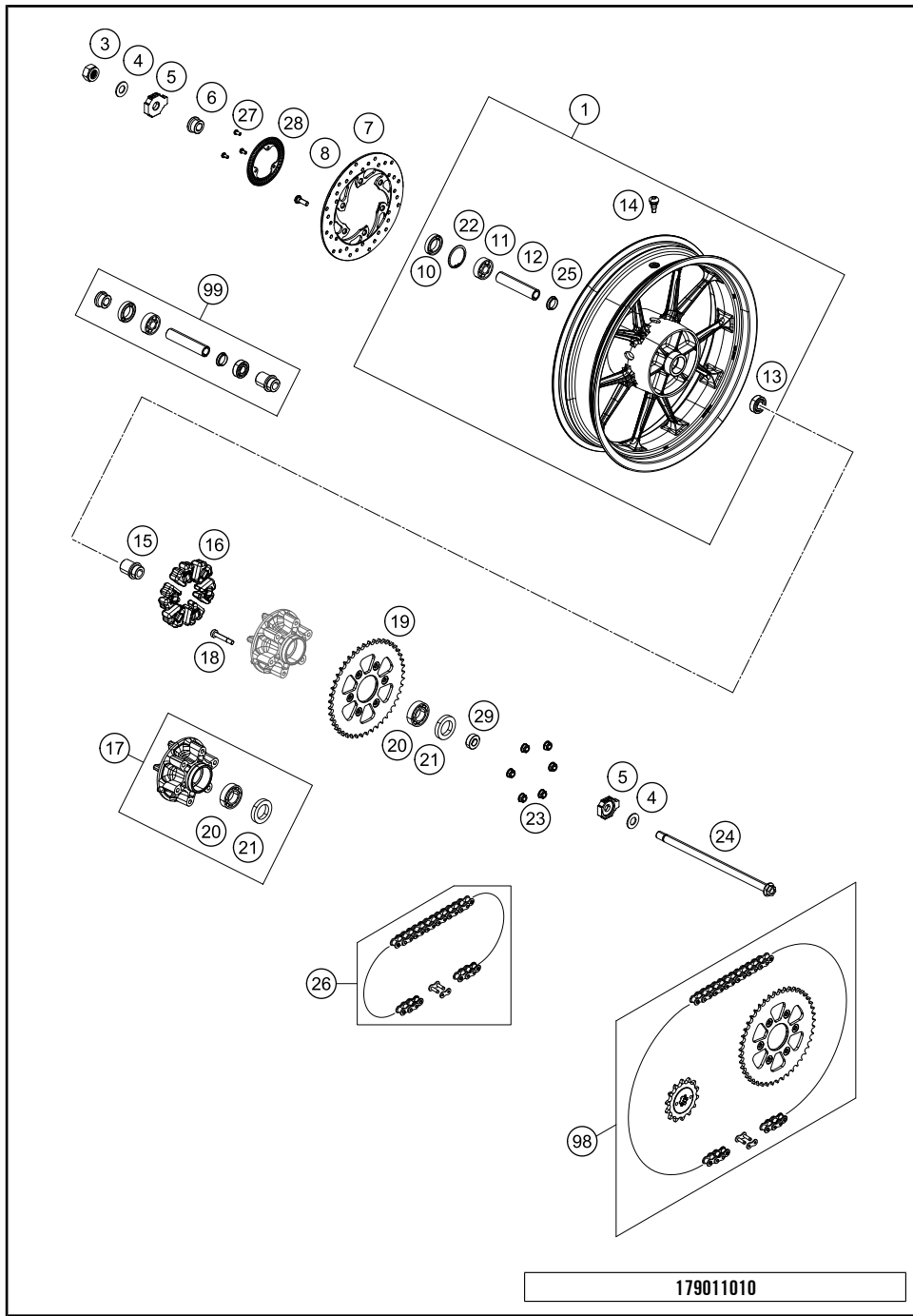
179010910

18445

* NEW PART X ON DEMAND

REAR WHEEL

125 Duke, orange, 2019 EU 2019



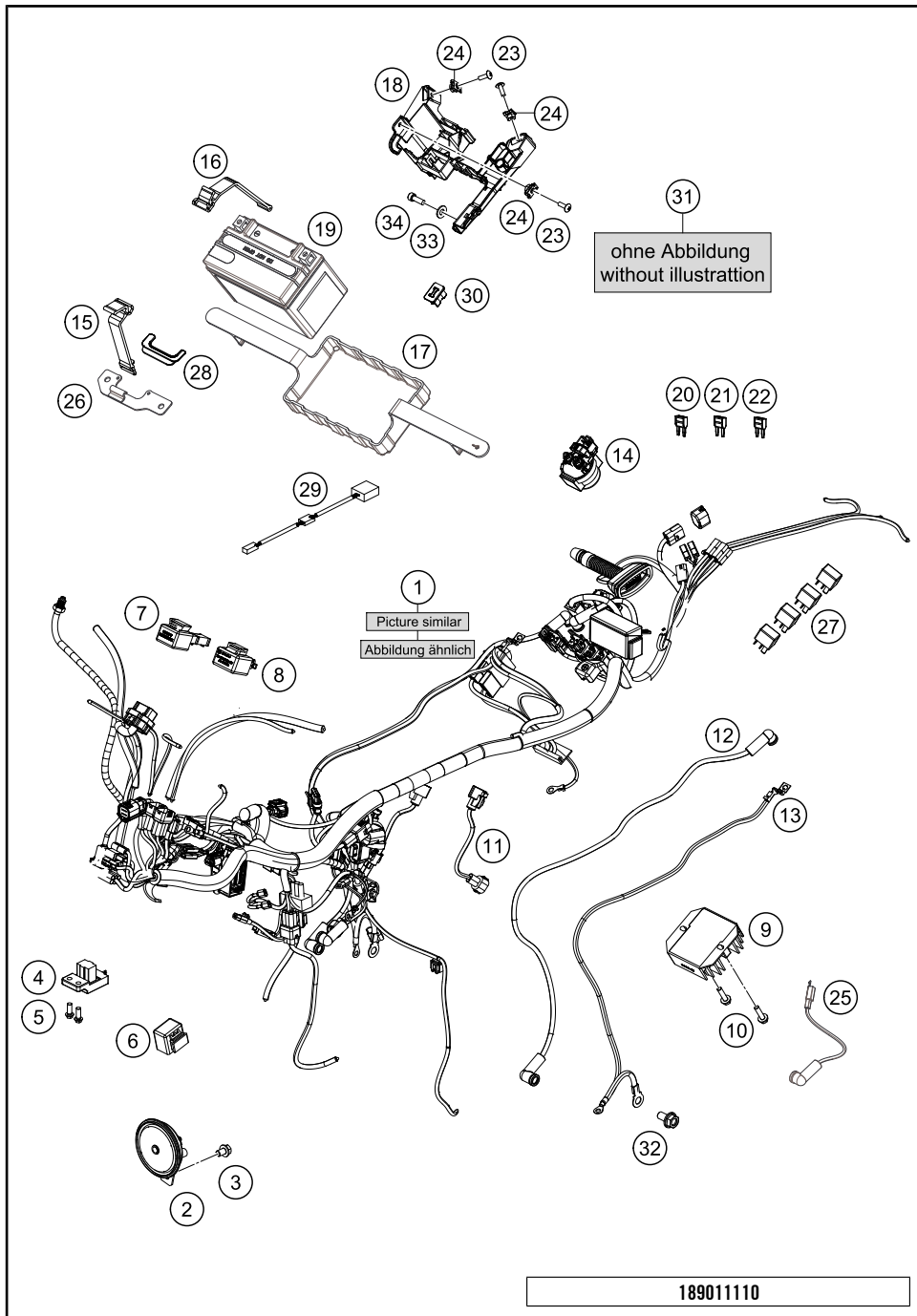
| POS | PARTNUMBER | PARTNAME | PIECE |
|-----|---------------|--------------------------------|-------|
| 1 | 9301000104430 | Rear wheel cpl. black | 1 |
| 3 | 90210086000 | wheel spindle nut, rear | 1 |
| 4 | 90610087000 | washer 15.2x30x2 | 2 |
| 5 | 90110084000 | chain tension adjuster, right | 1 |
| 6 | 90110013000 | SPACER BUSHING REAR WHEEL R/S | 1 |
| 7 | 90110060000 | rear brake disk D=230mm | 1 |
| 8 | 90110062000 | SPECIAL SCREW M8X25 SELF LOCK. | 6 |
| 10 | J760264208 | SHAFT SEAL RING 26X42X8 | 2 |
| 11 | J625063021 | Grooved ball bearing 6302 | 1 |
| 12 | 90110011000 | BEARING SPACER TUBE REAR | 1 |
| 13 | J625062023 | BALL BEARING 6202 | 1 |
| 14 | 90109076000 | VALVE CPL. | 1 |
| 15 | 90610054000 | SPACER BUSHING KRT INSIDE | 1 |
| 16 | 90110059100 | DAMPER | 1 |
| 17 | 90210050000 | SPROCKET SUPPORT | 1 |
| 18 | 90810052000 | SPECIAL SCREW M8X48 | 6 |
| 19 | 90510051045 | rear sprocket 45 teeth | 1 |
| 20 | J625062050 | BALL BEARING 6205 | 1 |
| 21 | J760295207 | SHAFT SEAL RING 29X52X7 | 1 |
| 22 | J472042170 | CIRCLIP | 1 |
| 23 | 90510052000 | FLANGED NUT M8X1,25 | 6 |
| 24 | 90210085000 | Axle rear KT03 | 1 |
| 25 | 90109011001 | Fixation bearing spacer tube | 1 |
| 26 | 78010167118 | CHAIN DID 118 LINKS | 1 |
| 27 | 90142021001 | SCREW FOR ABS | 3 |
| 28 | 90142021000 | SENSOR DISC REAR | 1 |
| 29 | 90110053000 | SPACER CHAIN WHEEL SUPPORT | 1 |
| 98 | 00050002060 | DRIVETRAIN KIT 125DUKE 14T/45T | 1 |
| 99 | 90110015100 | REAR WHEEL REP. KIT 390 DUKE | 1 |

179011010

18446

* NEW PART

X ON DEMAND



| POS | PARTNUMBER | PARTNAME | PIECE |
|-----|-------------|----------------------------------|-------|
| 1 | 93011075000 | Main wiring harness | 1 |
| 2 | 93011060100 | Horn | 1 |
| 3 | J025080123 | HH COLLAR SCREW M8X12 SW12 | 1 |
| 4 | 93541088000 | rollover sensor | 1 |
| 5 | J025060169 | HH COLLAR SCREW M6X16 SW8 | 2 |
| 6 | 93811043000 | resistor | 1 |
| 7 | 93539010000 | Start OK control unit | 1 |
| 8 | 90511030000 | indicator relay | 1 |
| 9 | 93011034000 | Voltage regulator | 1 |
| 10 | J025060253 | bolt flanged M6X25 | 2 |
| 11 | 93041080050 | Cable | 1 |
| 12 | 93011059000 | Starter cable 6MM | 1 |
| 13 | 93011197000 | Ground wire | 1 |
| 14 | 90111058000 | STARTER RELAY | 1 |
| 15 | 93011055060 | Band batterie | 1 |
| 16 | 93011055000 | Battery rubber holder | 1 |
| 17 | 93011054000 | BOX BATTERY | 1 |
| 18 | 93008018060 | Cross brace cover | 1 |
| 19 | 90611053000 | BATTERY 12V/8AH | 1 |
| 20 | 75011088010 | FUSE 10A 07 | 8 |
| 21 | 75011088015 | FUSE 15A 07 | 3 |
| 22 | 75011088030 | FUSE 30A | 2 |
| 23 | J005050123 | FLAT HEAD SCREW M5X12 PH | 3 |
| 24 | 90108050001 | CLIP NUT M5 | 3 |
| 25 | 93038091000 | Pigtail oil pressure switch | 1 |
| 26 | 93011056100 | Bracket battery band | 1 |
| 27 | 90611057000 | relay (interlock) | 4 |
| 28 | 93011026000 | protector | 1 |
| 29 | 93511084000 | PIGTAIL PH-3 FUEL PUMP | 1 |
| 30 | 93008078000 | Rubber grommet | 2 |
| 31 | 93042033000 | Cable earth ABS | 1 |
| 32 | J025060122 | Hex collar screw M6X12 | 2 |
| 33 | 90107088050 | WASHER 5,2X14X2MM | 1 |
| 34 | J912050166 | bolt socket-M5X0.8XL16XC18.8XBRT | 1 |

189011110

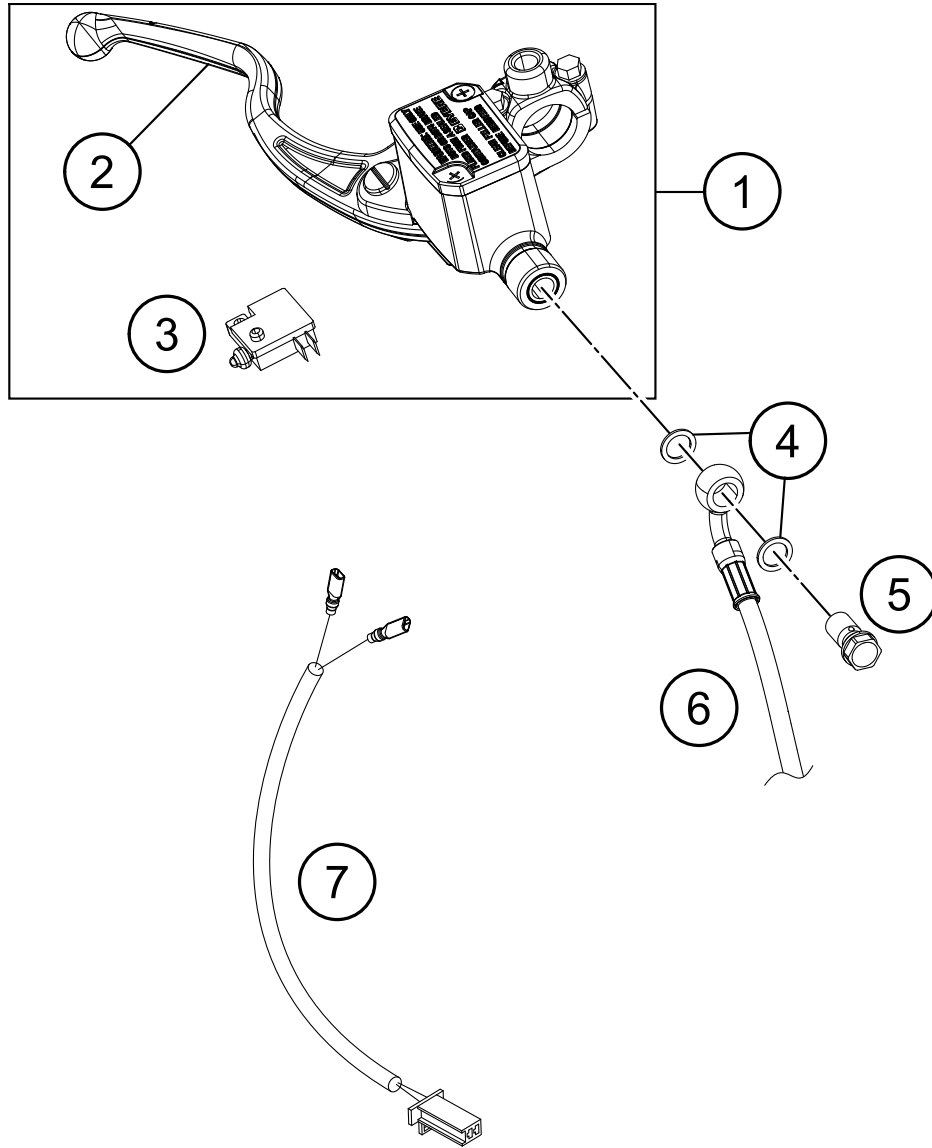
51770

* NEW PART

X ON DEMAND

FRONT BRAKE CONTROL

125 Duke, orange, 2019 EU 2019



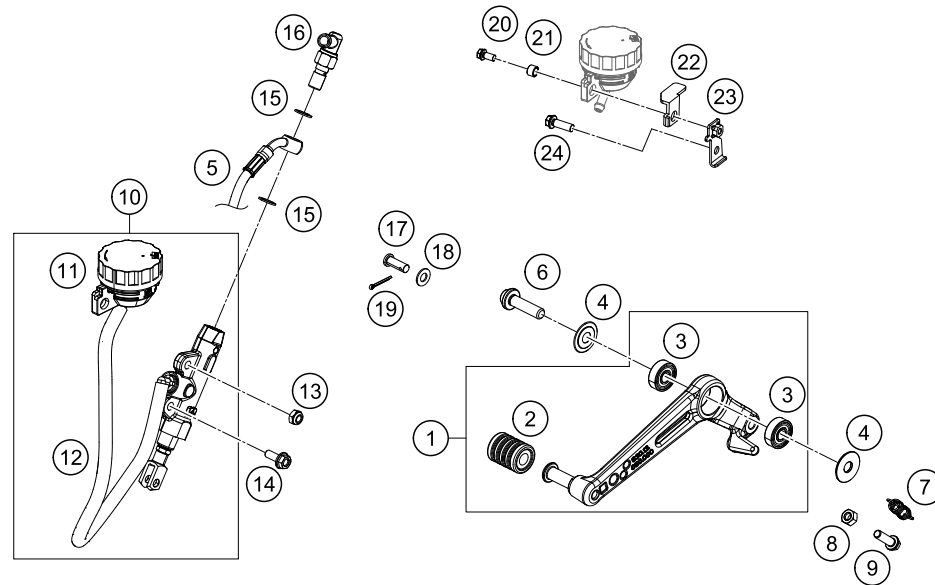
| POS | PARTNUMBER | PARTNAME | PIECE |
|-----|-------------|----------------------------------|-------|
| 1 | 93013001044 | Hand brake cylinder complete D13 | 1 |
| 2 | 93013002000 | Hand brake lever loose | 1 |
| 3 | 90111050000 | brake light switch, front | 1 |
| 4 | 90113026000 | COPPER GASKET | 2 |
| 5 | 90113013000 | BANJO SCREW | 1 |
| 6 | 93013035000 | Brake hose | 1 |
| 7 | 90111050050 | WIRE BRAKE LIGHT SWITCH FRONT | 1 |

179011310

49397

* NEW PART

X ON DEMAND



| POS | PARTNUMBER | PARTNAME | PIECE |
|-----|-------------|---------------------------------|-------|
| 1 | 93013050033 | Footbrake lever complete | 1 |
| 2 | 90134035000 | GEAR SHIFT LEVER RUBBER | 1 |
| 3 | J625060800 | BALL BEARING 608 | 2 |
| 4 | 90134031020 | thrust washer, gear shift lever | 2 |
| 5 | 93013037000 | Brake hose | 1 |
| 6 | 90134034300 | BOLT SHIFT LEVER silver | 1 |
| 6 | 90534034300 | BOLT SHIFT LEVER black | 1 |
| 7 | 90113052000 | brake pedal spring | 1 |
| 8 | J934060001 | nut hex thick | 1 |
| 9 | J025060203 | HH COLLAR SCREW M6X20 SW10 | 1 |
| 10 | 93013060000 | Rear master cylinder | 1 |
| 11 | 90113009000 | BRAKE FLUID RESERVOIR CPL. | 1 |
| 12 | 93313073000 | reservoir tube kit | 1 |
| 13 | J926060006 | nut hex flanged | 1 |
| 14 | 90130059000 | HH COLLAR SCREW M6X16 | 1 |
| 15 | 90113026000 | COPPER GASKET | 2 |
| 16 | 90111051000 | brake light switch, rear | 1 |
| 17 | 90113057000 | pin for fork end | 1 |
| 18 | 90103040001 | PLAIN WASHER 6,4X12X1 | 1 |
| 19 | J094020153 | splint pin 2x15mm | 1 |
| 20 | J025060181 | Hex collar screw M6X18 | 1 |
| 21 | 93035065020 | Spacer bushing | 1 |
| 22 | 93013068010 | Bracket, reservoir | 1 |
| 23 | 93013068000 | Sheet | 1 |
| 24 | J025050103 | HH-COLLAR SCREW M5X10 | 1 |

179011330

49399

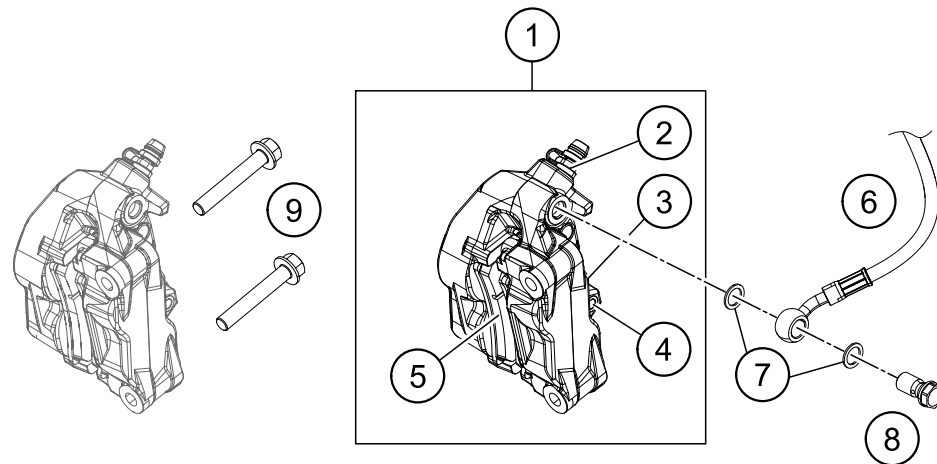
* NEW PART

X ON DEMAND

FRONT BRAKE CALIPER

125 Duke, orange, 2019 EU 2019

| POS | PARTNUMBER | PARTNAME | PIECE |
|-----|-------------|--------------------------------|-------|
| 1 | 90113015000 | BRAKE CALIPER RADIAL | 1 |
| 2 | 90113021000 | BLEEDER SCREW | 1 |
| 3 | 90113018000 | SPRING CLIP | 1 |
| 4 | 90113017000 | BOLT F. BRAKE PADS | 1 |
| 5 | 93813030044 | KIT FRONT BRAKE PAD WITH SHIM | 1 |
| 6 | 93013036000 | Brake hose | 1 |
| 7 | 90113026000 | COPPER GASKET | 2 |
| 8 | 90113013000 | BANJO SCREW | 1 |
| 9 | J01008050S | HH COLLAR SCREW M8X1X50 SW12SS | 2 |



179011360

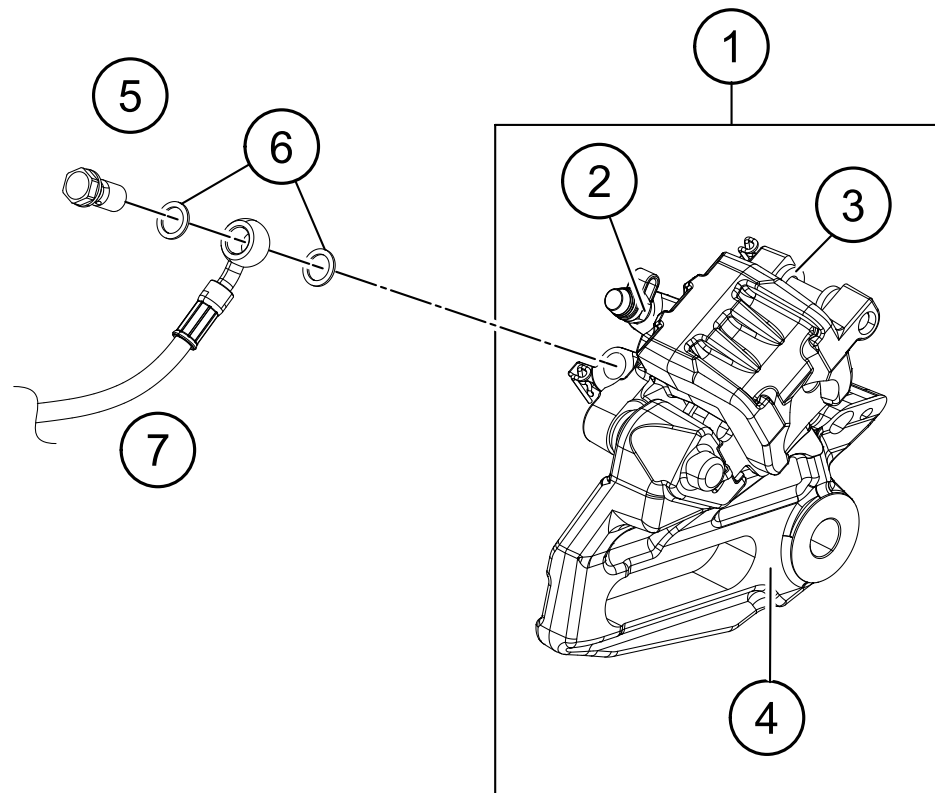
18355

* NEW PART

X ON DEMAND

REAR BRAKE CALIPER

125 Duke, orange, 2019 EU 2019



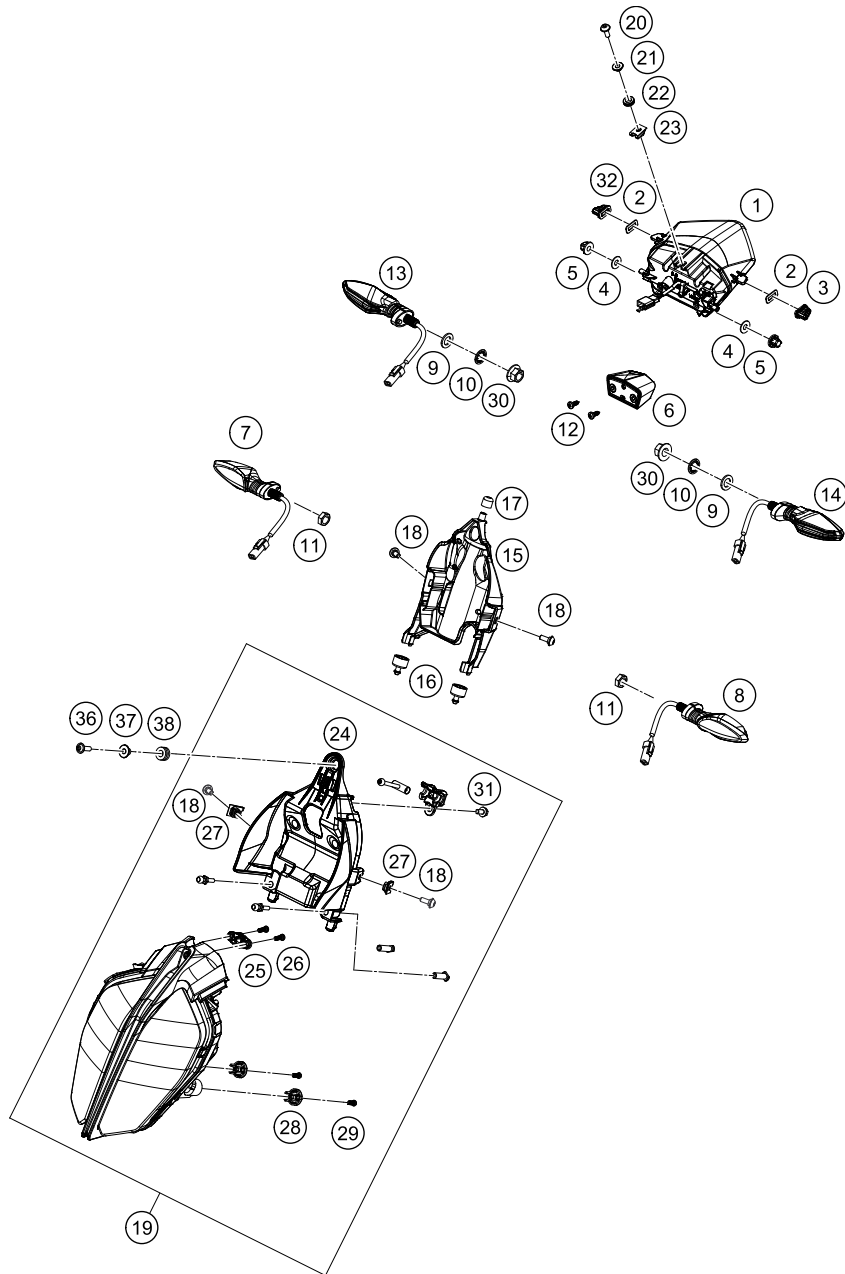
| POS | PARTNUMBER | PARTNAME | PIECE |
|-----|-------------|----------------------------|-------|
| 1 | 90113080000 | brake caliper, rear cpl. | 1 |
| 2 | 90113121000 | BLEEDER SCREW | 1 |
| 3 | 90113090000 | REAR BRAKE PADS - SET | 1 |
| 4 | 90113075000 | BRAKE CALIPER SUPPORT REAR | 1 |
| 5 | 90113013000 | BANJO SCREW | 1 |
| 6 | 90113026000 | COPPER GASKET | 2 |
| 7 | 93013038000 | Brake hose | 1 |

179011390

18356

* NEW PART

X ON DEMAND



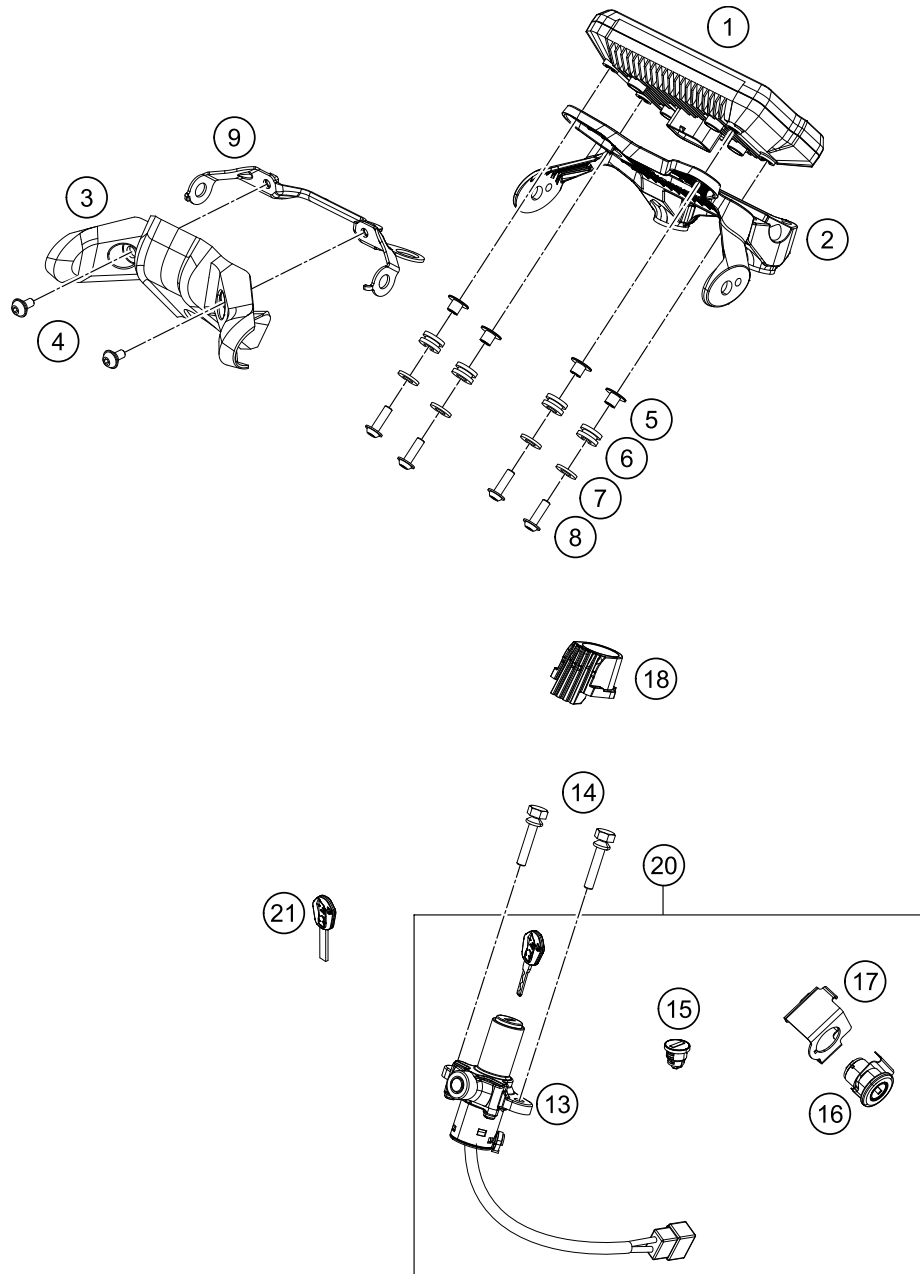
| POS | PARTNUMBER | PARTNAME | PIECE |
|-----|-------------|---------------------------------|-------|
| 1 | 93014040100 | lamp tail MY17 | 1 |
| 2 | 93014040040 | Washer | 2 |
| 3 | 93014040020 | Rubber grommet tail light left | 1 |
| 4 | 93014040030 | Washer | 2 |
| 5 | 93014040010 | Rubber bushing | 2 |
| 6 | 90114047000 | LICENSE PLATE ILLUMINATION | 1 |
| 7 | 93014026000 | Indicator front rh | 1 |
| 8 | 93014025000 | Indicator front lh | 1 |
| 9 | J125100003 | WASHER PLAIN 10,5 | 2 |
| 10 | J797100003 | TOOTHED WASHER M10 | 2 |
| 11 | J934100006 | Nut hex thin-M10x1.25 | 2 |
| 12 | J981420133 | SHEET MET.SCR. DIN 7981 4,2X13 | 2 |
| 13 | 90514036100 | FLASHER REAR R/S | 1 |
| 14 | 90514035100 | FLASHER REAR L/S | 1 |
| 15 | 93014013000 | Support | 1 |
| 16 | 93014015000 | Rubber bushing | 2 |
| 17 | 93014014000 | Rubber bushing | 1 |
| 18 | 93008040000 | Screw M6X1X13 | 4 |
| 19 | 93014001344 | Headlight | 1 |
| 20 | 93014098000 | screw truss-M6X1XL 16Xblack | 1 |
| 21 | 93014044000 | Tail light box | 1 |
| 22 | 93014045000 | Rubber grommet | 1 |
| 23 | 93008082010 | Range change metal nut M6 | 1 |
| 24 | 93014019100 | Holder headlamp LED | 1 |
| 25 | 93014024100 | bush | 1 |
| 26 | 93014024110 | Screw M4X14 | 2 |
| 27 | 93008084010 | Range change metal nut M6 | 2 |
| 28 | 93014009000 | bush | 2 |
| 29 | 93014009010 | Screw M5X12 | 2 |
| 30 | 90103038002 | FLANGED NUT M10X1,25 WS14 | 2 |
| 31 | 93008020060 | Screw M6X1X9 | 1 |
| 32 | 93014049000 | Rubber grommet tail light right | 1 |
| 36 | 90508006003 | AH SCREW M6X1X20 | 1 |
| 37 | 93014018100 | Collar head lamp holder MTG | 1 |
| 38 | 93014017000 | Rubber bushing | 1 |

179011412

49824

* NEW PART

X ON DEMAND



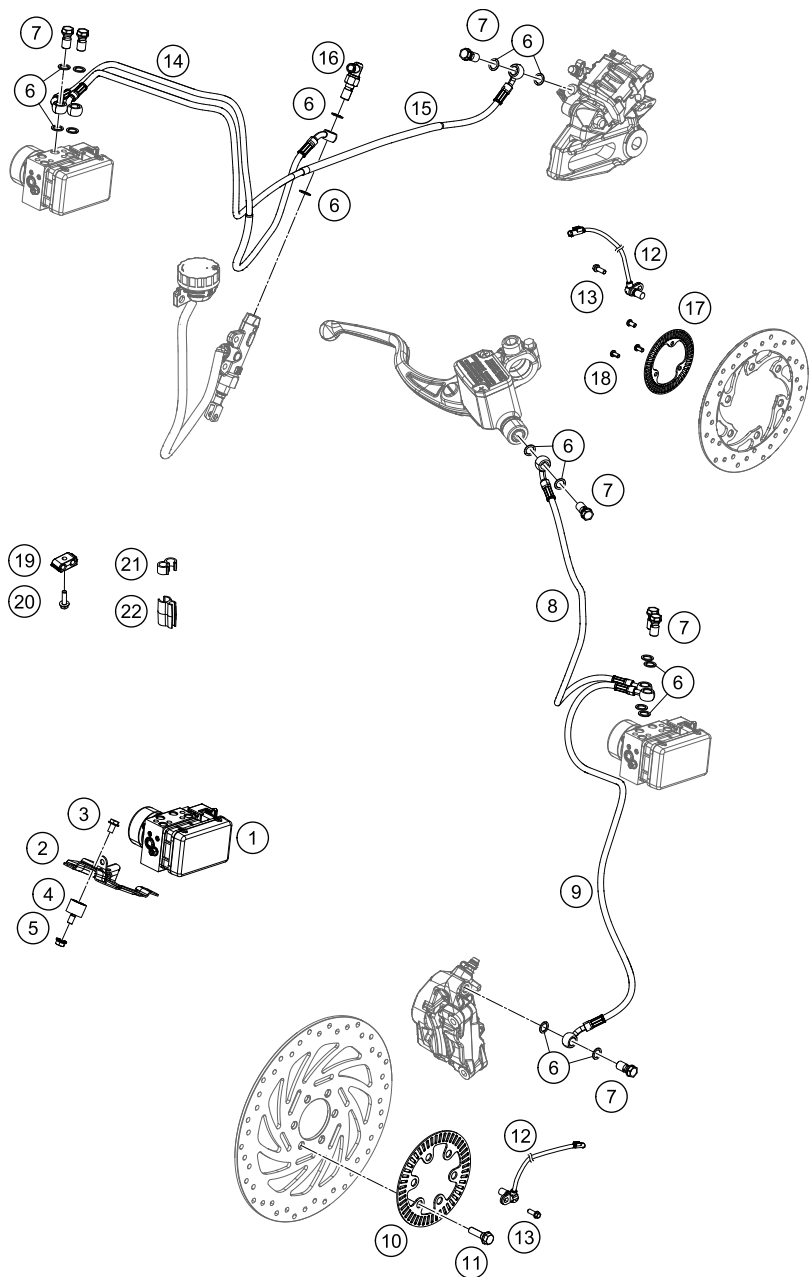
| POS | PARTNUMBER | PARTNAME | PIECE |
|-----|-------------|--------------------------------------|-------|
| 1 | 93314069100 | Kombiinstrument | 1 |
| 2 | 93014064000 | Holder handsbar CUM TFT speedo | 1 |
| 3 | 93014064100 | Back cover TFT holder | 1 |
| 4 | 93008020060 | Screw M6X1X9 | 2 |
| 5 | 93014062010 | Collar TFT speedo small | 4 |
| 6 | 90507040001 | RUBBER SLEEVE | 4 |
| 7 | 93308015010 | Washer, license plate holder support | 4 |
| 8 | J031060183 | Roundhead screw M5X18 | 4 |
| 9 | 93014064200 | Bracket TFT Cover black | 1 |
| 13 | 93011066044 | Ignition lock complete | 1 |
| 14 | 93011064100 | Special screw for ignition lock | 2 |
| 15 | 93007008100 | Rotor - cap lock | 1 |
| 16 | 90107050050 | SEAT LOCK | 1 |
| 17 | 93007051000 | Retaining bracket | 1 |
| 18 | 93011066010 | Positioning rubber | 1 |
| 20 | 90111066144 | Lock set | 1 |
| 21 | 90111067100 | BLANK KEY 125/200 DUKE | x |

179011431

51862

* NEW PART

X ON DEMAND



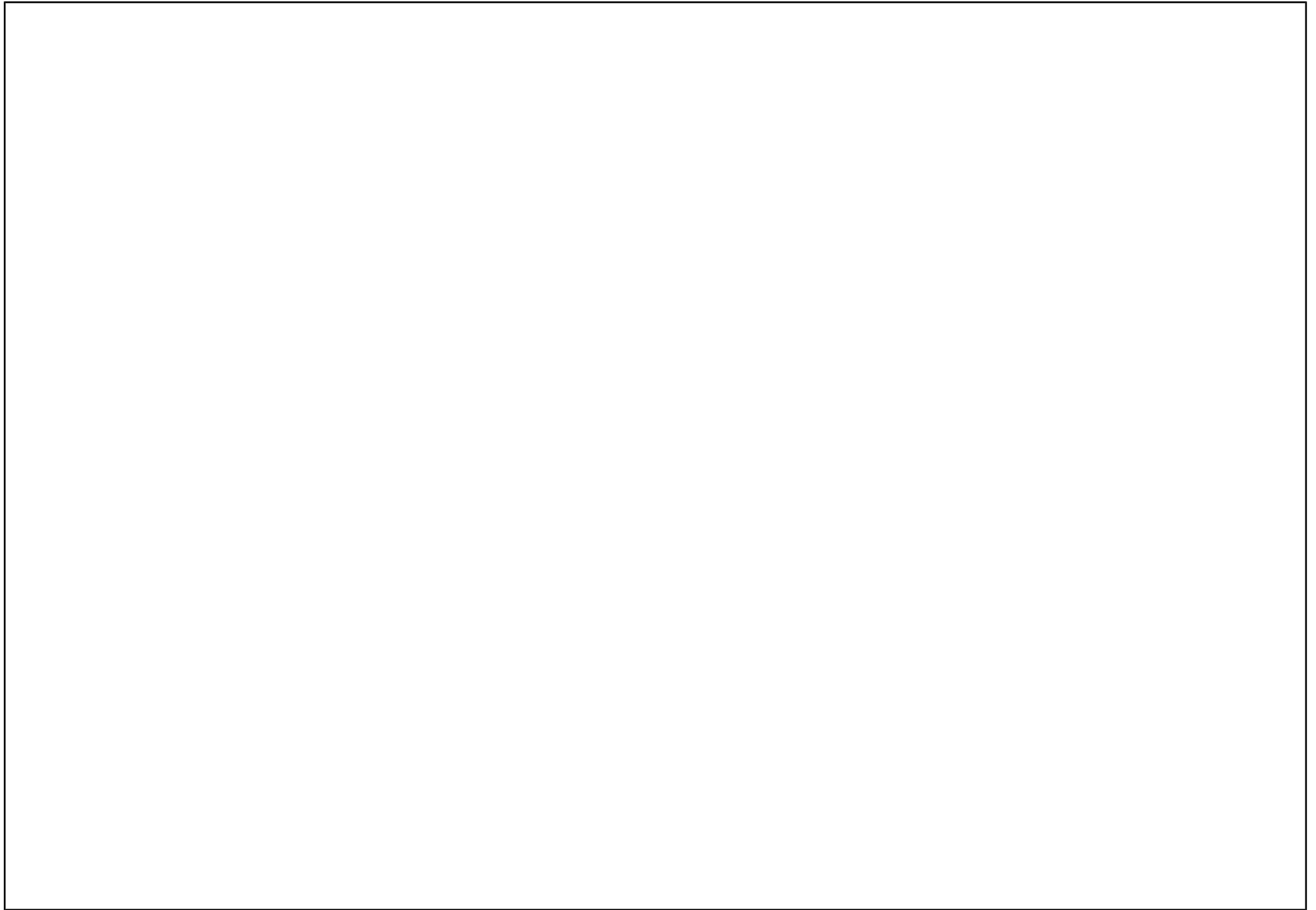
| POS | PARTNUMBER | PARTNAME | PIECE |
|-----|-------------|--------------------------------|-------|
| 1 | 93542031144 | Unit ABS WET KT19 | 1 |
| 2 | 93041030020 | Retaining bracket | 1 |
| 3 | J026060083 | HH COLLAR SCREW M6X8 SW10 | 3 |
| 4 | 90135001001 | silentbloc M6 | 3 |
| 5 | J926060000 | FLANGED NUT M6 WS10 SELF LOCK. | 3 |
| 6 | 90113026000 | COPPER GASKET | 16 |
| 7 | 90113013000 | BANJO SCREW | 7 |
| 8 | 93013035000 | Brake hose | 1 |
| 9 | 93013036000 | Brake hose | 1 |
| 10 | 93042020000 | SENSORRING ABS | 1 |
| 11 | 90110062000 | SPECIAL SCREW M8X25 SELF LOCK. | 6 |
| 12 | 90142125000 | ABS SENSOR | 2 |
| 13 | J028060166 | BOLT M6X16 | 2 |
| 14 | 93013037000 | Brake hose | 1 |
| 15 | 93013038000 | Brake hose | 1 |
| 16 | 90111051000 | brake light switch, rear | 1 |
| 17 | 90142021000 | SENSOR DISC REAR | 1 |
| 18 | 90142021001 | SCREW FOR ABS | 3 |
| 19 | 93813024000 | brake hose clamp | 3 |
| 20 | J025050183 | BOLT M5X18 | 1 |
| 21 | 93813035000 | CLAMP SENSOR CABLE | 4 |
| 22 | 93813147000 | CLAMP FOR BRAKE HOSE | 2 |

179014210

18360

* NEW PART

X ON DEMAND



WWW.KTM.COM



KTM Sportmotorcycle GmbH
5230 Mattighofen, Austria
www.ktm.com



KTM_POWERPARTS

KTM_POWERWEAR

KTM_ORIGINAL SPARE PARTS



F4003S1EN

Art. Nr.: F4003S1EN 4. Dez 2018