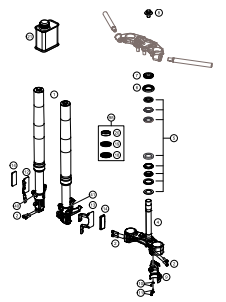
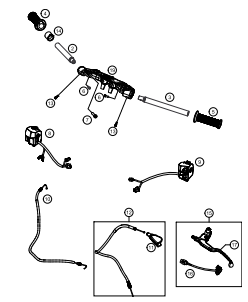
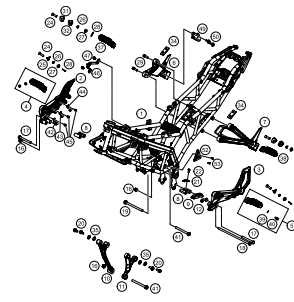
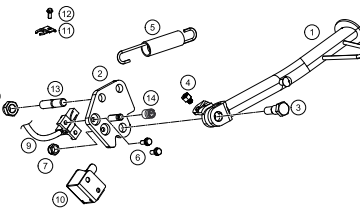
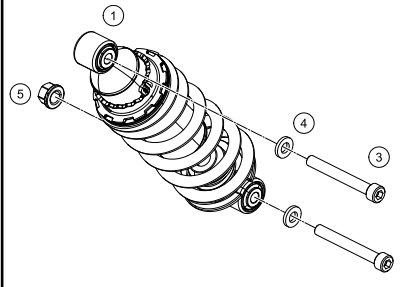
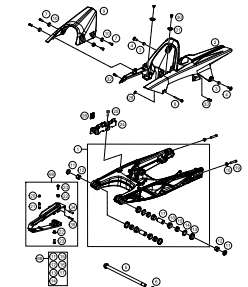
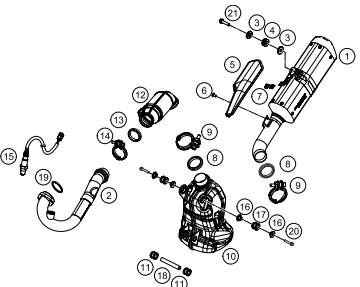
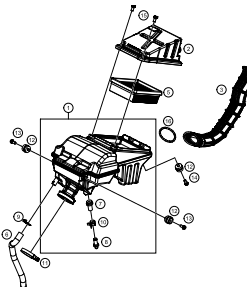
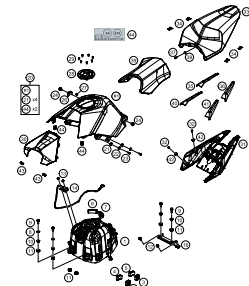
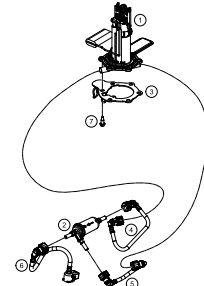
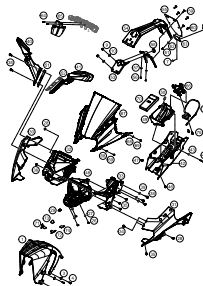
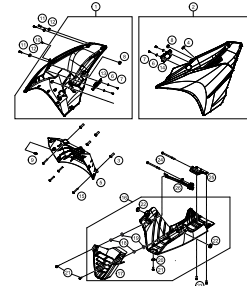
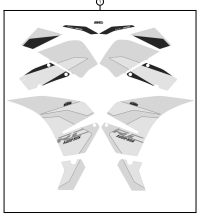
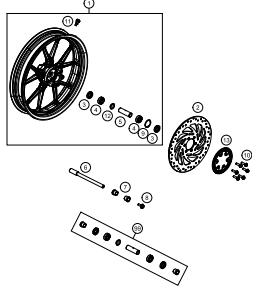
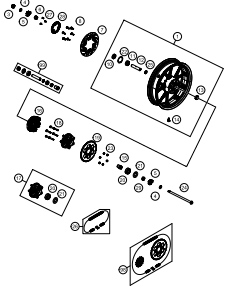
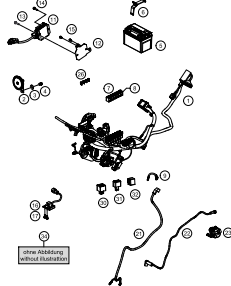
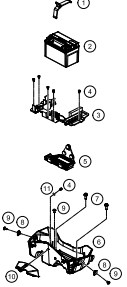
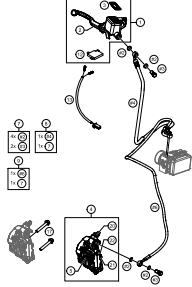
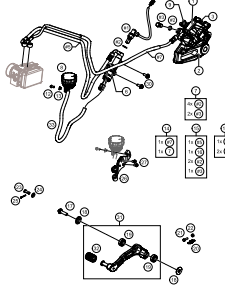
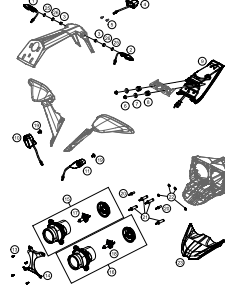
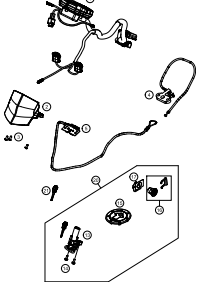
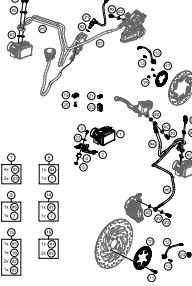


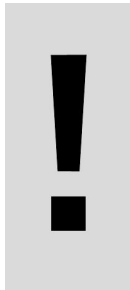
RC 125, orange, 2019 EU 2019

ART.-NR.: F5003S1EN



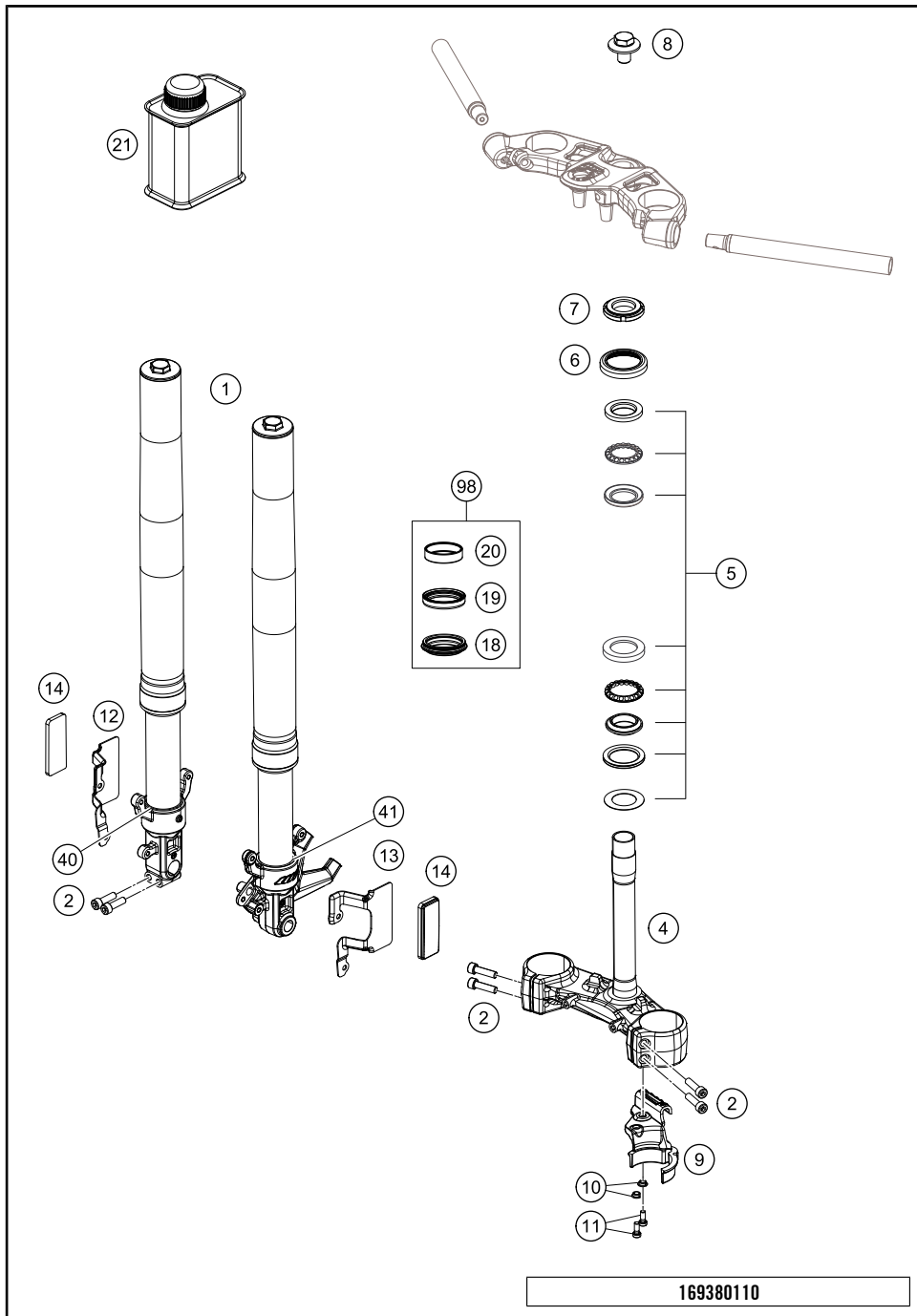
| | | | |
|--|---|--|---|
| <p>FRONT FORK, TRIPLE CLAMP</p>  <p>4</p> | <p>HANDLEBAR, CONTROLS</p>  <p>5</p> | <p>FRAME</p>  <p>6</p> | <p>SIDE / CENTER STAND</p>  <p>8</p> |
| <p>SHOCK ABSORBER</p>  <p>9</p> | <p>SWING ARM</p>  <p>10</p> | <p>EXHAUST SYSTEM</p>  <p>11</p> | <p>AIR FILTER</p>  <p>12</p> |
| <p>TANK, SEAT</p>  <p>13</p> | <p>FUEL PUMP</p>  <p>15</p> | <p>MASK, FENDERS</p>  <p>16</p> | <p>COVER</p>  <p>18</p> |

| | | | |
|--|---|---|--|
| <p>DECAL</p>  <p>19</p> | <p>FRONT WHEEL</p>  <p>20</p> | <p>REAR WHEEL</p>  <p>21</p> | <p>WIRING HARNESS</p>  <p>22</p> |
| <p>BATTERY</p>  <p>23</p> | <p>FRONT BRAKE CALIPER</p>  <p>24</p> | <p>REAR BRAKE CALIPER</p>  <p>25</p> | <p>LIGHTING SYSTEM</p>  <p>26</p> |
| <p>INSTRUMENTS / LOCK SYSTEM</p>  <p>27</p> | <p>ANTIBLOCK SYSTEM ABS</p>  <p>28</p> | | |

| | | | |
|--|---|---|--|
| | | | |
| | | | |
| |  | <p>All information contained is without obligation. KTM Sportmotorcycle GmbH particularly reserves the right to modify any equipment, technical specifications, prices, colors, shapes, materials, services, service work, constructions, equipment and the like so as to adapt them to local conditions or to cancel any of the above items, all without previous announcement and without giving reasons. KTM may stop manufacturing certain models without previous notice. KTM shall not be held liable for any deviations of availability and/or ability to deliver, illustrations, descriptions, printing and/or other errors. The illustrated models partly contain extra equipment, which is not applied to standard models.</p> <p>© by KTM Sportmotorcycle GmbH, Mattighofen AUSTRIA; All rights reserved; Reprint, also in extracts, with written allowance of KTM Sportmotorcycle GmbH, Mattighofen only.</p> | |

FRONT FORK, TRIPLE CLAMP

RC 125, orange, 2019 EU 2019



| POS | PARTNUMBER | PARTNAME | PIECE |
|-----|---------------|-----------------------------------|-------|
| 1 | 93501001300 | Assembly leg left | 1 |
| 1 | 93501002300 | Assembly leg right | 1 |
| 2 | 90501045000 | AH SCREW M8X1.25X30 | 6 |
| 4 | 9010103210033 | Lower triple clamp cpl. | 1 |
| 5 | 90101080044 | STEERING HEAD BEARING-KIT | x |
| 6 | 90101086000 | protection cap | 1 |
| 7 | 90101036000 | adjusting ring steering head | 1 |
| 8 | 90501044000 | steering head screw | 1 |
| 9 | 90113055000 | HOSE CLAMP | 1 |
| 10 | 90113055010 | sleeve for hose clamp | 2 |
| 11 | J021060156 | AH SCREW M6X15 10.9 | 2 |
| 12 | 90512181000 | BRACKET SIDE REFLECTOR FR R/S | 1 |
| 13 | 90512081000 | BRACKET SIDE REFLECTOR FR L/S | 1 |
| 14 | 90512082000 | SIDE REFLECTOR FRONT | 2 |
| 18 | 43570624 | Dirt scarper SKF 43mm black | 2 |
| 19 | 43570623 | Shaft seal SKF 43x52,9x11,4 black | 2 |
| 20 | 43570618 | Guide bushing 42x44x20 | 2 |
| 21 | 48601166S1 | FORK OIL SAE4 5L | 1 |
| 40 | 93501007000 | Axle clamp and fork pipe right | 1 |
| 41 | 93501006000 | Axle clamp and fork pipe left | 1 |
| 98 | 90101000010 | REP. KIT FORK KPL. | x |

169380110

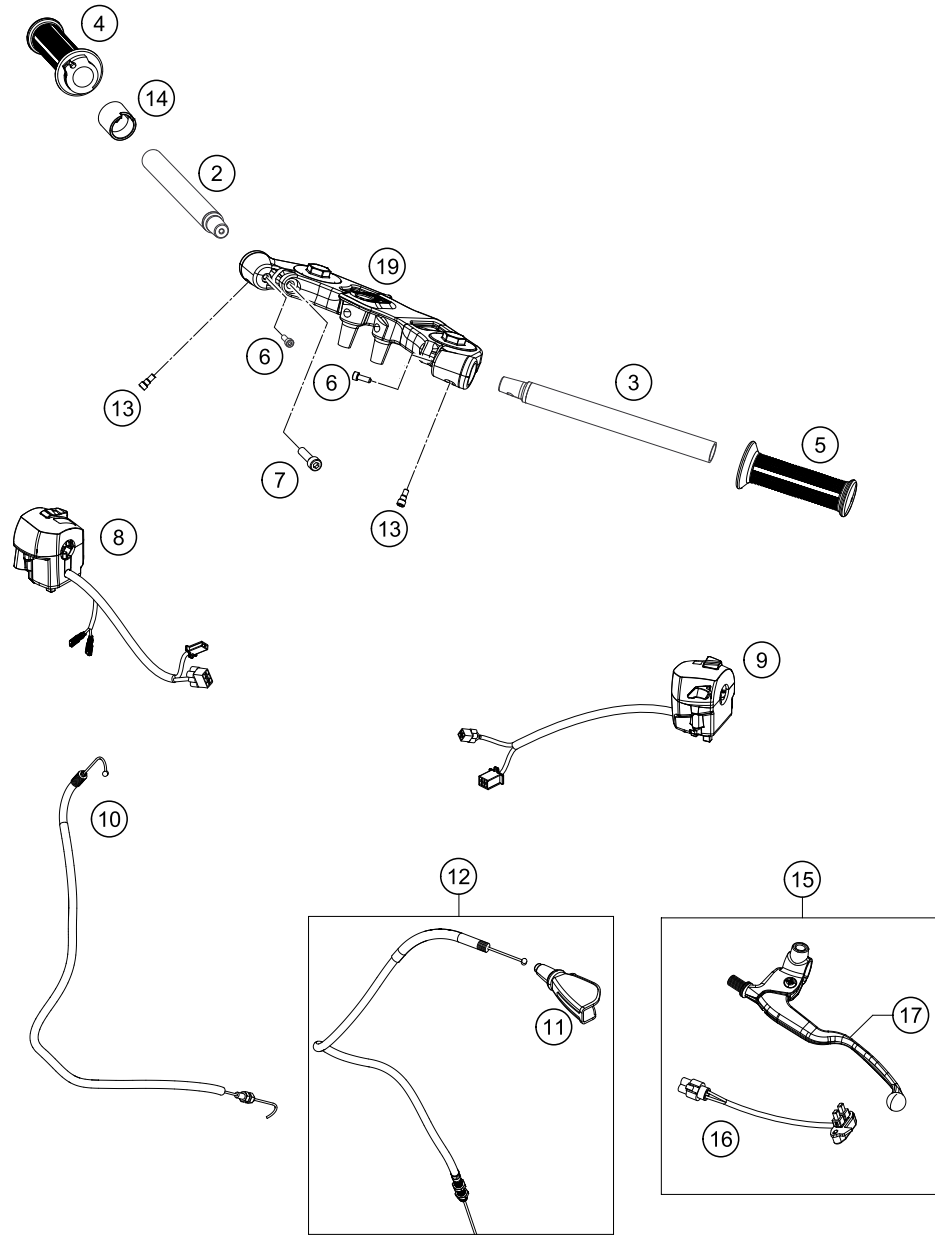
18795

* NEW PART

X ON DEMAND

HANDLEBAR, CONTROLS

RC 125, orange, 2019 EU 2019



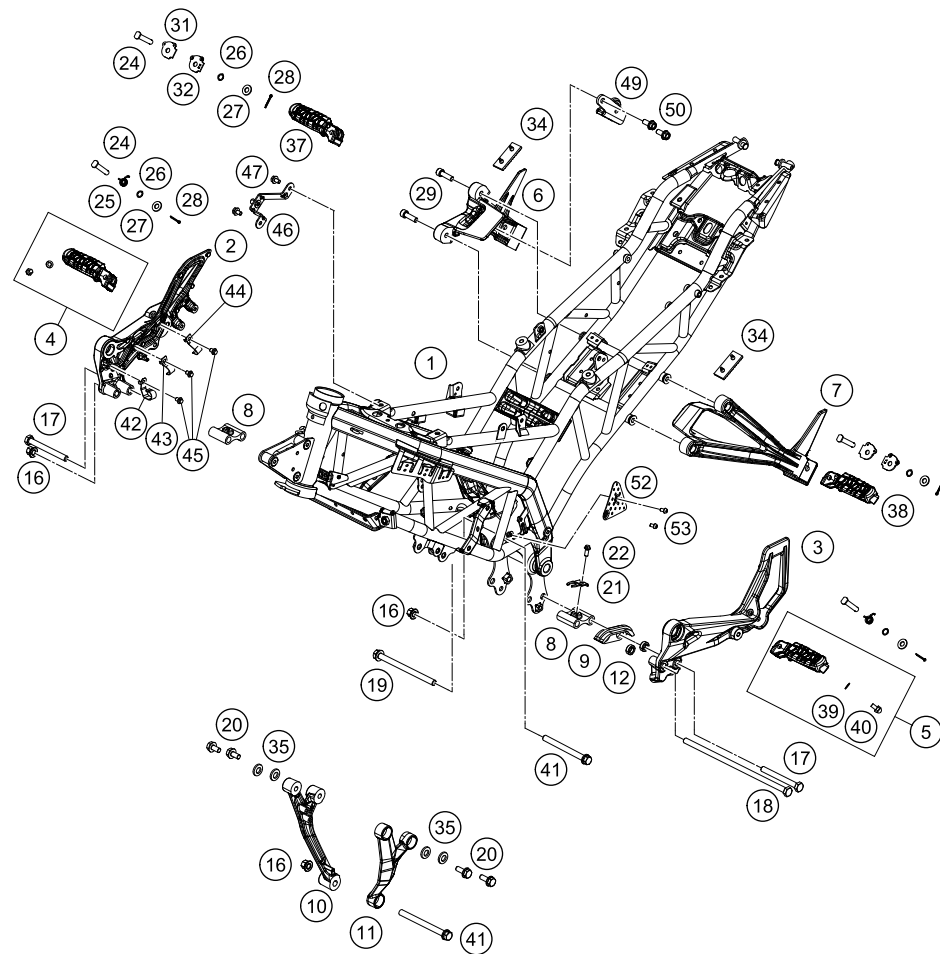
| POS | PARTNUMBER | PARTNAME | PIECE |
|-----|-------------|----------------------------------|-------|
| 2 | 93802001100 | HANDLEBAR R/S | 1 |
| 3 | 93802001000 | HANDLEBAR L/S | 1 |
| 4 | 90102010100 | THROTTLE GRIP | 1 |
| 5 | 90502039000 | FIXED GRIP | 1 |
| 6 | 90511006100 | BOLT SOCKET M6X1X14 | 2 |
| 7 | 90501045000 | AH SCREW M8X1.25X30 | 2 |
| 8 | 93011074000 | Handlebar switch right | 1 |
| 9 | 90511070000 | light switch | 1 |
| 10 | 93502091100 | Throttle cable | 1 |
| 11 | 90102016000 | PROTECTION CAP THROTTLE CABLE | 1 |
| 12 | 93002090000 | Clutch cable | 1 |
| 13 | 90511006000 | SPECIAL SCREW M5x0,8X13 | 2 |
| 14 | 93011074010 | Distance holder handlebar switch | 1 |
| 15 | 93602031000 | Articulated clutch cover | 1 |
| 16 | 90511049000 | clutch switch | 1 |
| 17 | 93002031000 | Clutch lever - NON Adjustable | 1 |
| 19 | 90501034135 | Top triple clamp | 1 |

179050210

18800

* NEW PART

X ON DEMAND



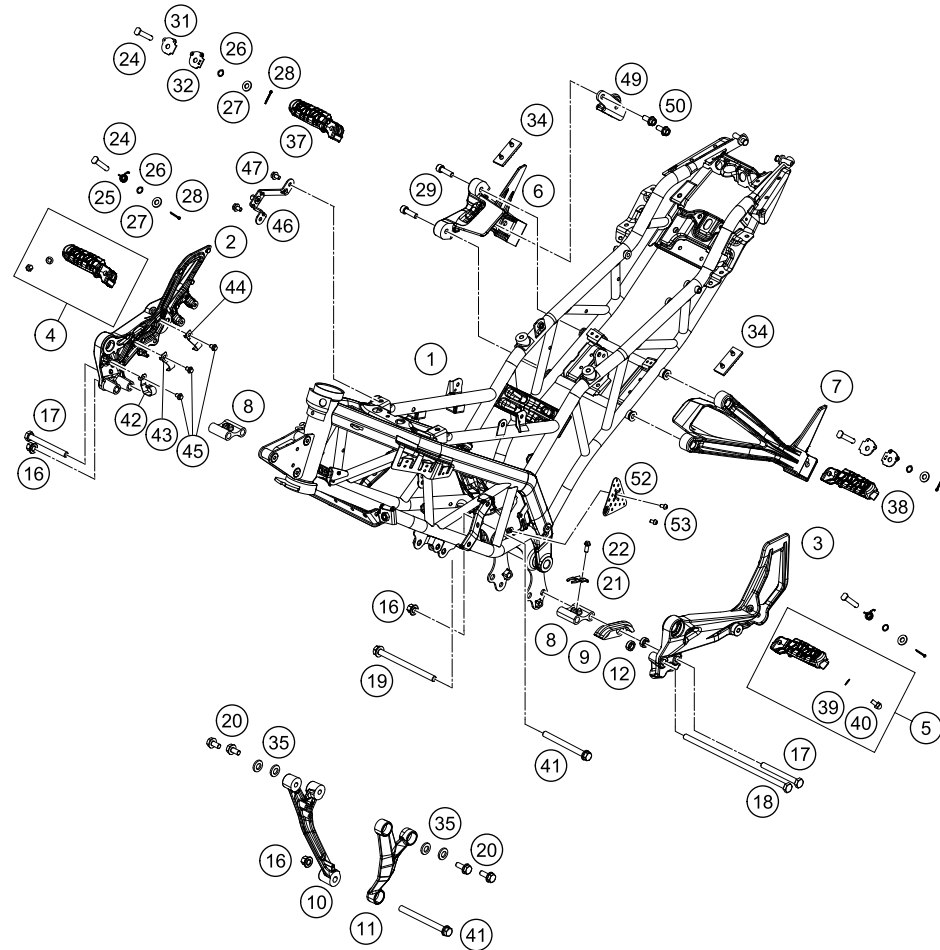
189050310

| POS | PARTNUMBER | PARTNAME | PIECE |
|-----|---------------|--------------------------------|-------|
| 1 | 9350300130030 | Frame black brilliant | 1 |
| 2 | 90503039000 | FOOTREST BRACKET FRONT R/S | 1 |
| 3 | 90503038000 | FOOTREST BRACKET FRONT L/S | 1 |
| 4 | 93003141033 | Front footpeg compl. right | x |
| 5 | 93003140033 | Front footpeg compl. left | x |
| 6 | 90503049000 | FOOTREST BRACKET REAR R/S | 1 |
| 7 | 90503048000 | FOOTREST BRACKET REAR L/S | 1 |
| 8 | 90103038001 | footrest support holder, front | 2 |
| 9 | 90104070000 | chainguide | 1 |
| 10 | 93003006000 | Engine brace right | 1 |
| 11 | 93003005000 | Engine brace left 125/200 | 1 |
| 12 | 90104066010 | spacer chainguide | 2 |
| 16 | 90103038002 | FLANGED NUT M10X1,25 WS14 | 3 |
| 17 | J025100926 | HH COLLAR SCREW M10X1,25X92 | 2 |
| 18 | J025102656 | HH COLLAR SCREW M10X1,25X265 | 1 |
| 19 | J027081053 | HH COLLAR SCREW M8X105 SW12 | 1 |
| 20 | J912080256 | ISK-Screw M8x25 | 4 |
| 21 | 90111045050 | CABLE BRACKET | 1 |
| 22 | 90103032000 | FLANGED BOLT M6X14 | 1 |
| 24 | 90503045000 | BOLT FOR FOOTREST | 4 |
| 25 | 90103042000 | footrest return spring | 2 |
| 26 | J770009015 | O-RING 9X1,5 | 4 |
| 27 | 90503048010 | WASHER D=8,5 | 4 |
| 28 | J094018250 | PIN 25X1,8MM | 4 |
| 29 | 90503098000 | BOLT SOCKET M8X1.25XL | 4 |
| 31 | 90503053000 | LOCK PLATE LOWER | 2 |
| 32 | 90503052000 | LOCK PLATE UPPER | 2 |
| 34 | 90503050000 | RUBBER DAMPER FOR FOOTREST | 2 |
| 35 | J125080005 | WASHER M8 | 4 |
| 37 | 93003151033 | Rear footpeg compl. right | 1 |
| 38 | 93003150033 | Rear footpeg compl. left | 1 |
| 39 | 90103040001 | PLAIN WASHER 6,4X12X1 | 2 |
| 40 | J029060103S | CAP SCREW M6X10 SS | 2 |
| 41 | J025101103 | HH COLLAR SCREW M10X110 WS14 | 2 |
| 42 | 90113025000 | BRAKE HOSE GUIDE FRONT | 1 |
| 43 | 90513046000 | BRACKET HOSE CLAMP 2 | 1 |
| 44 | 90513045000 | BRACKET HOSE CLAMP 1 | 1 |
| 45 | J025060083 | HH COLLAR SCREW M6X8 SW8 | 3 |

51913

* NEW PART

X ON DEMAND



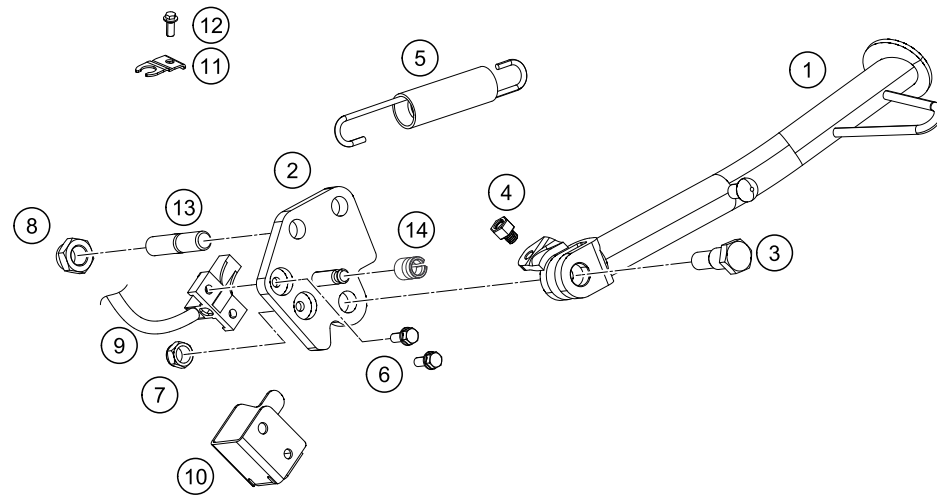
| POS | PARTNUMBER | PARTNAME | PIECE |
|-----|-------------|--------------------------------|-------|
| 46 | 90503034000 | BRACKET SIDECOVER | 2 |
| 47 | J025060103 | HH COLLAR SCREW M6X10 SW10 | 4 |
| 49 | 93505088000 | BRACKET SILENCER MTG | 1 |
| 50 | J025080183 | BOLT FLANGED M8X18 | 2 |
| 52 | 93508041080 | guard cat | 1 |
| 53 | J031060106 | SCREW BUTTON HEAD-M5X0.8XL 8XB | 2 |

189050310

51913

* NEW PART

X ON DEMAND



| POS | PARTNUMBER | PARTNAME | PIECE |
|-----|-------------|-----------------------------------|-------|
| 1 | 90103023000 | SIDE STAND | 1 |
| 2 | 90103026000 | SIDE STAND BRACKET | 1 |
| 3 | 90103027000 | SCREW F. SIDE STAND | 1 |
| 4 | 90103029000 | MAGNET HOLDER | 1 |
| 5 | 90103024000 | SPRING FOR SIDE STAND | 1 |
| 6 | J011050133 | HH COLLAR SCREW M5X13 SW8 | 2 |
| 7 | J982101253 | SELF L. NUT M10X1,25 H11 WS17 | 1 |
| 8 | 93003034000 | nut U flang-M10X1.25XHT.8.5XBRT | 2 |
| 9 | 93511045000 | SWITCH SIDE STAND | 1 |
| 10 | 90111045010 | GUARD F. SIDE STAND SWITCH | 1 |
| 11 | 90111045050 | CABLE BRACKET | 1 |
| 12 | 90103032000 | FLANGED BOLT M6X14 | 1 |
| 13 | 93003027000 | bolt stud-M10X1.25XL20XBRXPRECOAT | 2 |
| 14 | 90111040100 | Bushing | 1 |

189050360

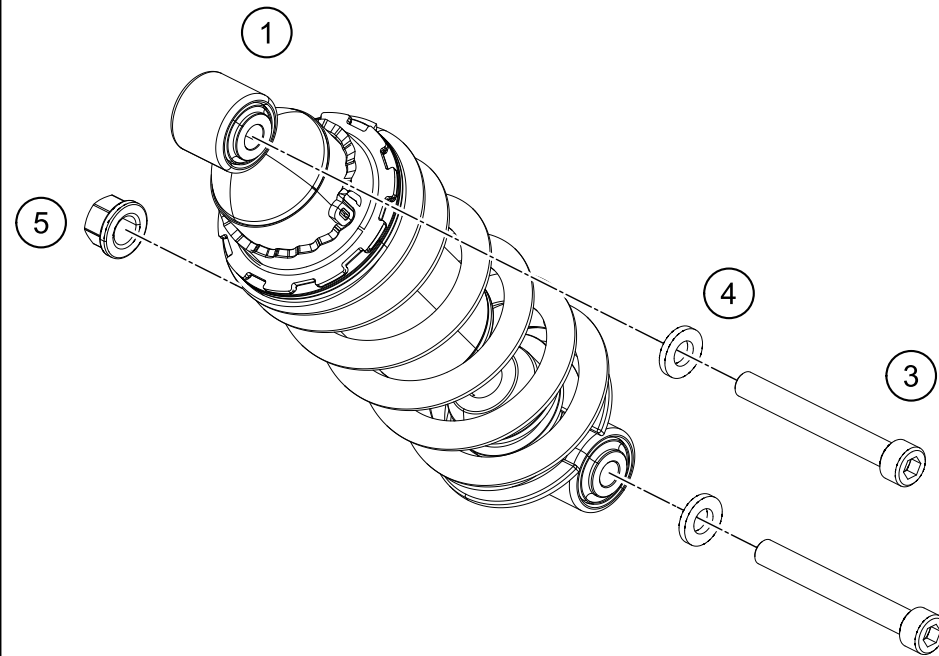
50192

* NEW PART

X ON DEMAND

SHOCK ABSORBER

RC 125, orange, 2019 EU 2019



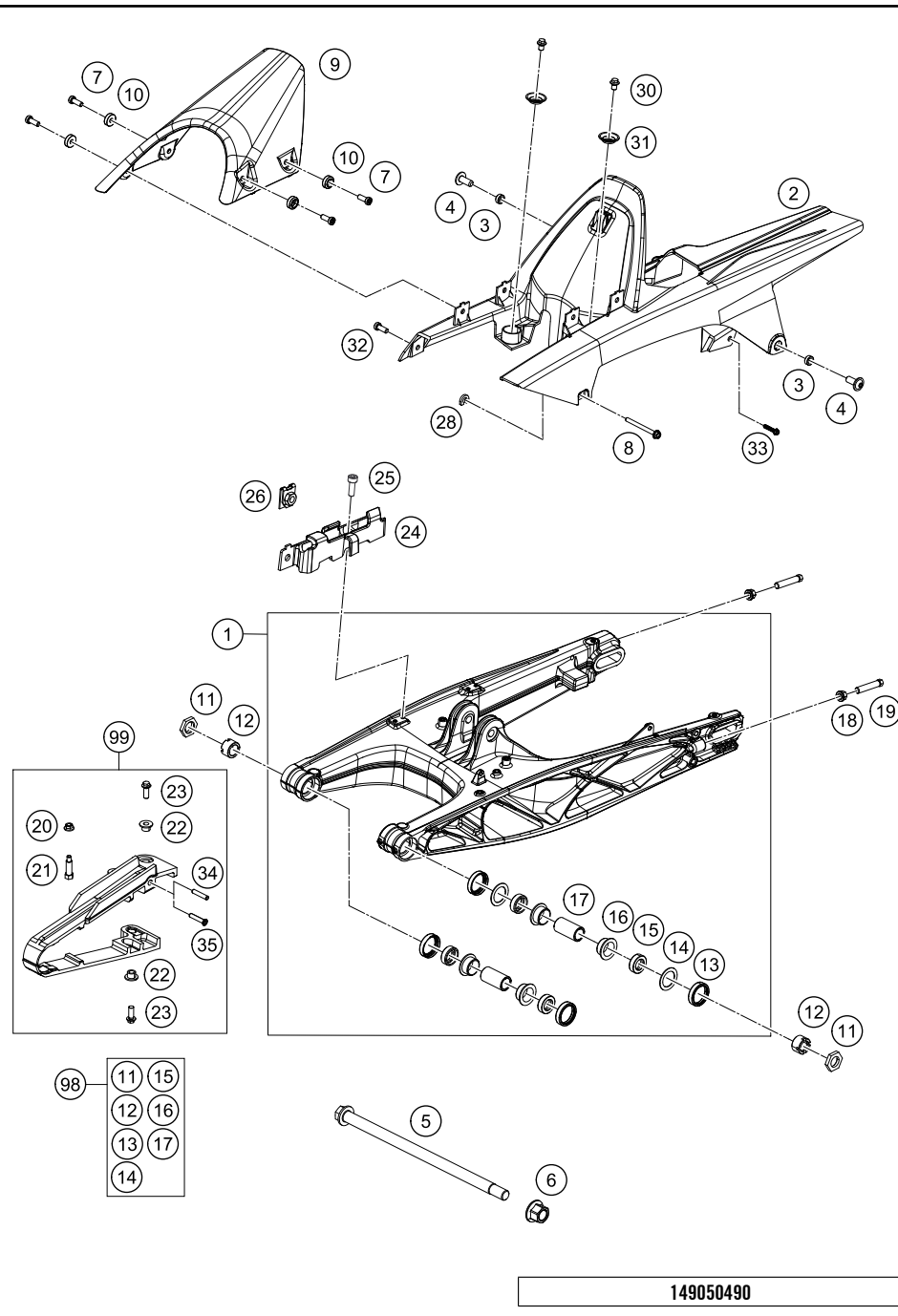
| POS | PARTNUMBER | PARTNAME | PIECE |
|-----|-------------|-------------------------------|-------|
| 1 | 90504010100 | SHOCK ABSORBER | 1 |
| 3 | J020100806 | SHCS M10x1.25x80 - 10.9 | 2 |
| 4 | 90104010003 | PLAIN WASHER 10,2X20X3MM | 2 |
| 5 | 90104010002 | flanged hex nut M10x1.25 WS13 | 1 |

149050410

15589

* NEW PART

X ON DEMAND

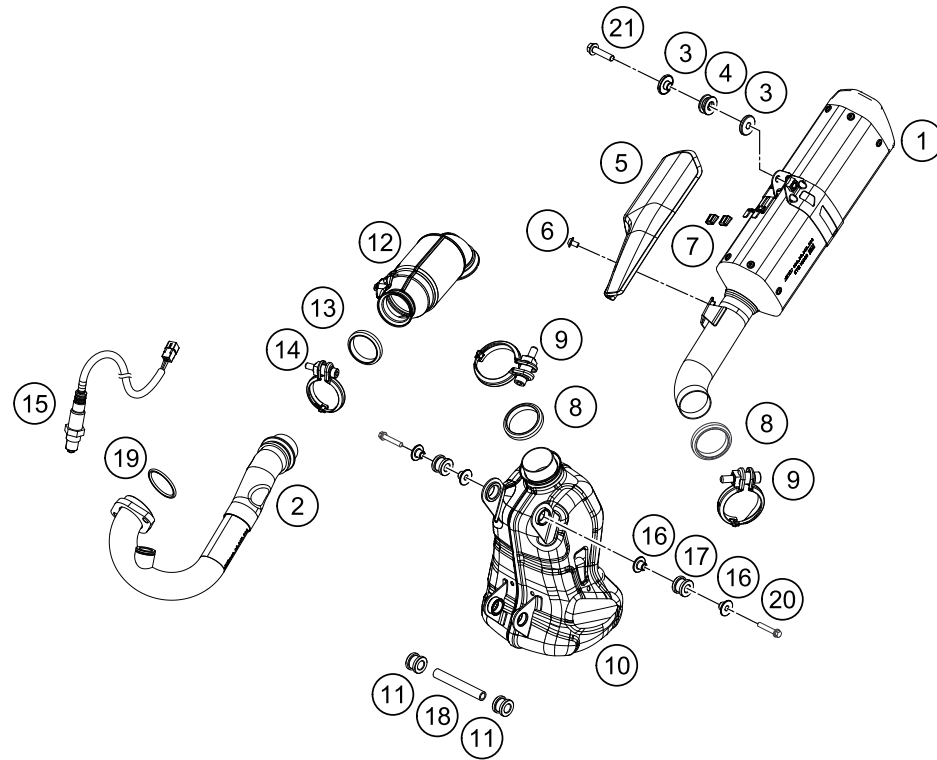


| POS | PARTNUMBER | PARTNAME | PIECE |
|-----|---------------|-------------------------------|-------|
| 1 | 90504030044 | SWING ARM CPL. | 1 |
| 2 | 9050406000033 | CHAIN COVER BLACK | 1 |
| 3 | 90504060050 | SLEEVE FOR CHAIN COVER | 2 |
| 4 | 90508008001 | AH SCREW M8X20 | 2 |
| 5 | 90104037000 | Shaft swing arm L=299mm | 1 |
| 6 | 90104038000 | FLANGED NUT M14X1,5 | 1 |
| 7 | 90808043001 | BOLT SOCKET M6X1XL | 4 |
| 8 | J025050504 | BOLT FLANGED M5X0.8XL | 1 |
| 9 | 9050405000033 | HUGGER ENVELOPE BLACK | 1 |
| 10 | 90508046000 | SPECIAL WASHER | 4 |
| 11 | 90104042000 | hex thrust washer | 2 |
| 12 | 90104046000 | swingarm adjusting ring | 2 |
| 13 | 90104034001 | OIL SEAL RING 25X32X7 | 4 |
| 14 | 90104036000 | Thrust washer 22.2x31.7x1 | 2 |
| 15 | 90104034000 | cup for radial shaft seal | 4 |
| 16 | 90104031000 | lgus plain bearing | 4 |
| 17 | 90104032000 | sleeve bushing 15.1x20x38 | 2 |
| 18 | 90104010002 | flanged hex nut M10x1.25 WS13 | 2 |
| 19 | 90104040000 | BOLT HEX M10X1,25X50 WS10 | 2 |
| 20 | 90204060001 | HH COLLAR NUT | 1 |
| 21 | 90104040100 | screw M5x0.8x30 | 1 |
| 22 | 90604062000 | chain slider bushing | 2 |
| 23 | J025060169 | HH COLLAR SCREW M6X16 SW8 | 2 |
| 24 | 90513147000 | BRAKE HOSE GUIDE | 1 |
| 25 | J912050151 | AH SCREW M5X14 BLACK | 1 |
| 26 | 90103097000 | clip nut | 1 |
| 28 | 90504067000 | WASHER CHAIN SLIDING GUARD | 1 |
| 30 | J025060083 | HH COLLAR SCREW M6X8 SW8 | 2 |
| 31 | 90104067000 | BUCKET | 2 |
| 32 | 90808043000 | SPECIAL SCREW M6X1X16 | 1 |
| 33 | 90504060001 | SCREW SELF TAP D=6 | 1 |
| 34 | 90104070020 | SLEEVE CHAIN GUARD | x |
| 35 | 90904070020 | SLEEVE CHAIN GUARD | x |
| 98 | 90104230010 | SWINGARM REP. KIT 11-17 | x |
| 99 | 90104066310 | CHAIN GUARD KIT 125/200 | x |

149050490

15594

* NEW PART X ON DEMAND



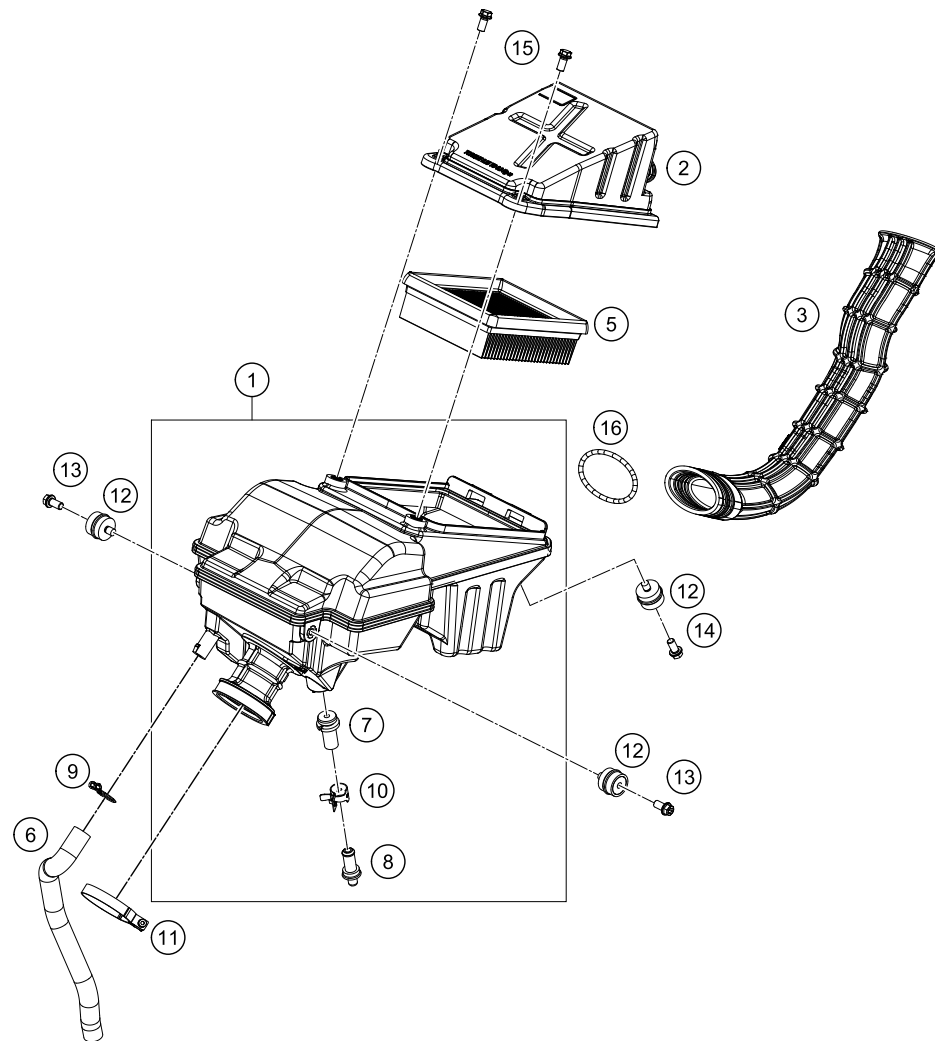
| POS | PARTNUMBER | PARTNAME | PIECE |
|-----|-------------|---------------------------------|-------|
| 1 | 93805083000 | MUFFLER CPL. | 1 |
| 2 | 93505007000 | Header complete | 1 |
| 3 | 93805095000 | BUSH MUFFLER | 2 |
| 4 | 93805096000 | DAMPER MUFFLER | 1 |
| 5 | 93805011000 | MUFFLER SHIELD | 1 |
| 6 | 90808073000 | SPECIAL SCREW M6X1X10 | 1 |
| 7 | 93805011003 | GROMMET MUFFLER SHIELD | 2 |
| 8 | 93805005100 | GASKET PIPE C | 2 |
| 9 | 93805058100 | CLAMP DIA 60 | 2 |
| 10 | 93505050000 | pre muffler | 1 |
| 11 | 90105068100 | damper, bottom | 2 |
| 12 | 93505091033 | Catalytic converter | 1 |
| 13 | 93805005000 | GASKET PIPE B | 1 |
| 14 | 93805058000 | CLAMP DIA 54 | 1 |
| 15 | 90141090000 | oxygen sensor | 1 |
| 16 | 90205086001 | muffler mounting spacer bushing | 4 |
| 17 | 90205068000 | damper, bottom | 2 |
| 18 | 90105084000 | muffler mounting tube | 1 |
| 19 | 90105004000 | exhaust flange gasket | 1 |
| 20 | 90105000002 | BOLT SILENCER MTG | 2 |
| 21 | J025080353 | BOLT FLANGED M8X35 | 1 |

189050510

51121

* NEW PART

X ON DEMAND



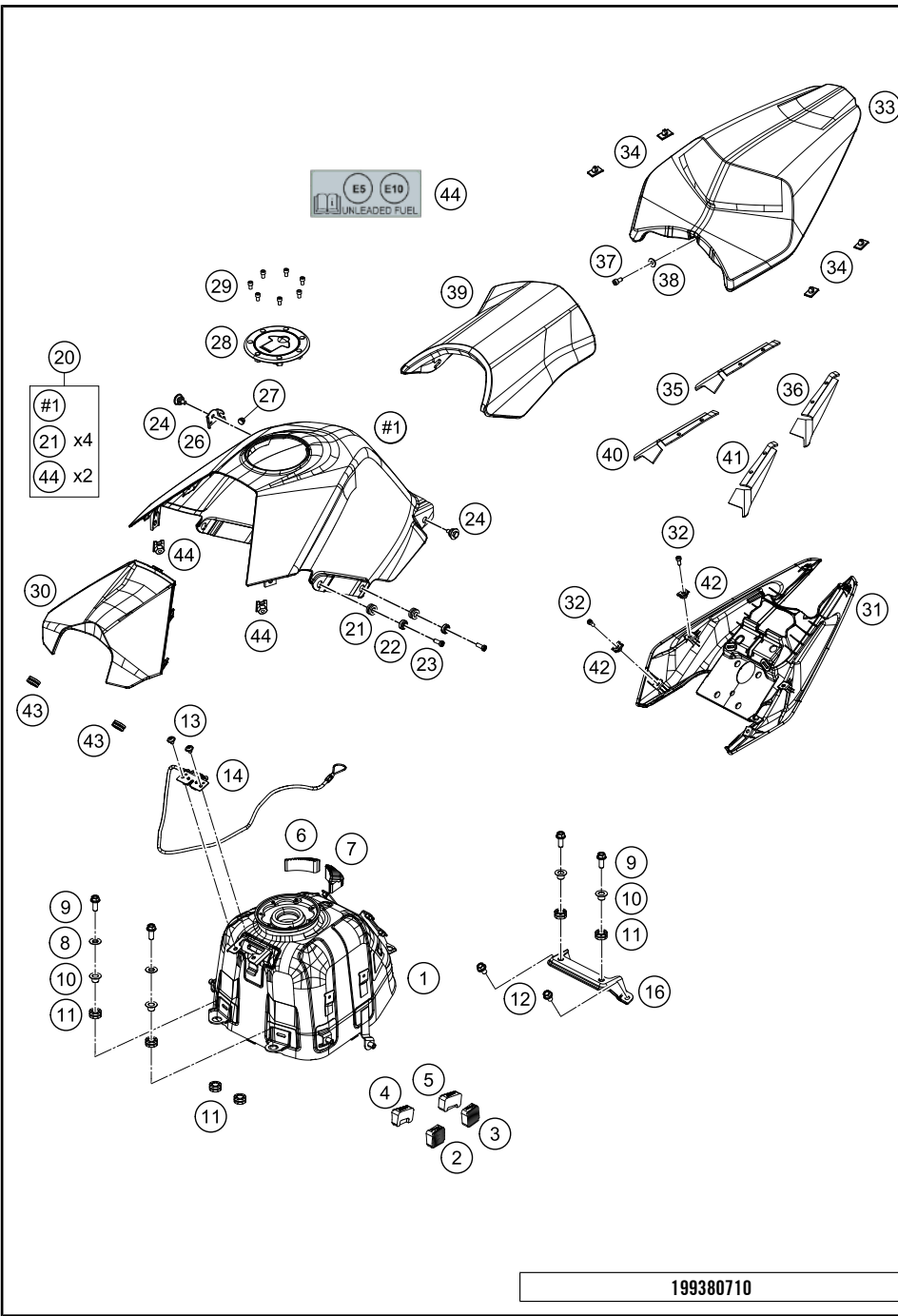
| POS | PARTNUMBER | PARTNAME | PIECE |
|-----|-------------|---------------------------|-------|
| 1 | 93506001044 | Air filter cpl. | 1 |
| 2 | 93506005033 | Filter cover top cpl. | 1 |
| 3 | 90506040000 | AIR INTAKE | 1 |
| 5 | 90106015000 | AIRFILTER | 1 |
| 6 | 93530087000 | Engine vent hose | 1 |
| 7 | 93515020000 | hose cpl. | 1 |
| 8 | 90106000001 | PLUG DRAINAGE | 1 |
| 9 | 90130087001 | HOSE CLAMP | 1 |
| 10 | 90106000004 | HOSE CLAMP | 1 |
| 11 | 90106027100 | HOSE CLAMP | 1 |
| 12 | 90106001007 | SILENT BLOCK AIRFILTER | 3 |
| 13 | J025060086 | HH COLLAR SCREW M6X8 SW10 | 3 |
| 14 | J025060129 | HH COLLAR SCREW M6X12 | 2 |
| 15 | J025060120 | HH COLLAR SCREW M6X12 SW8 | 2 |
| 16 | 90506028000 | GARTER SPRING | 2 |

179050610

18606

* NEW PART

X ON DEMAND



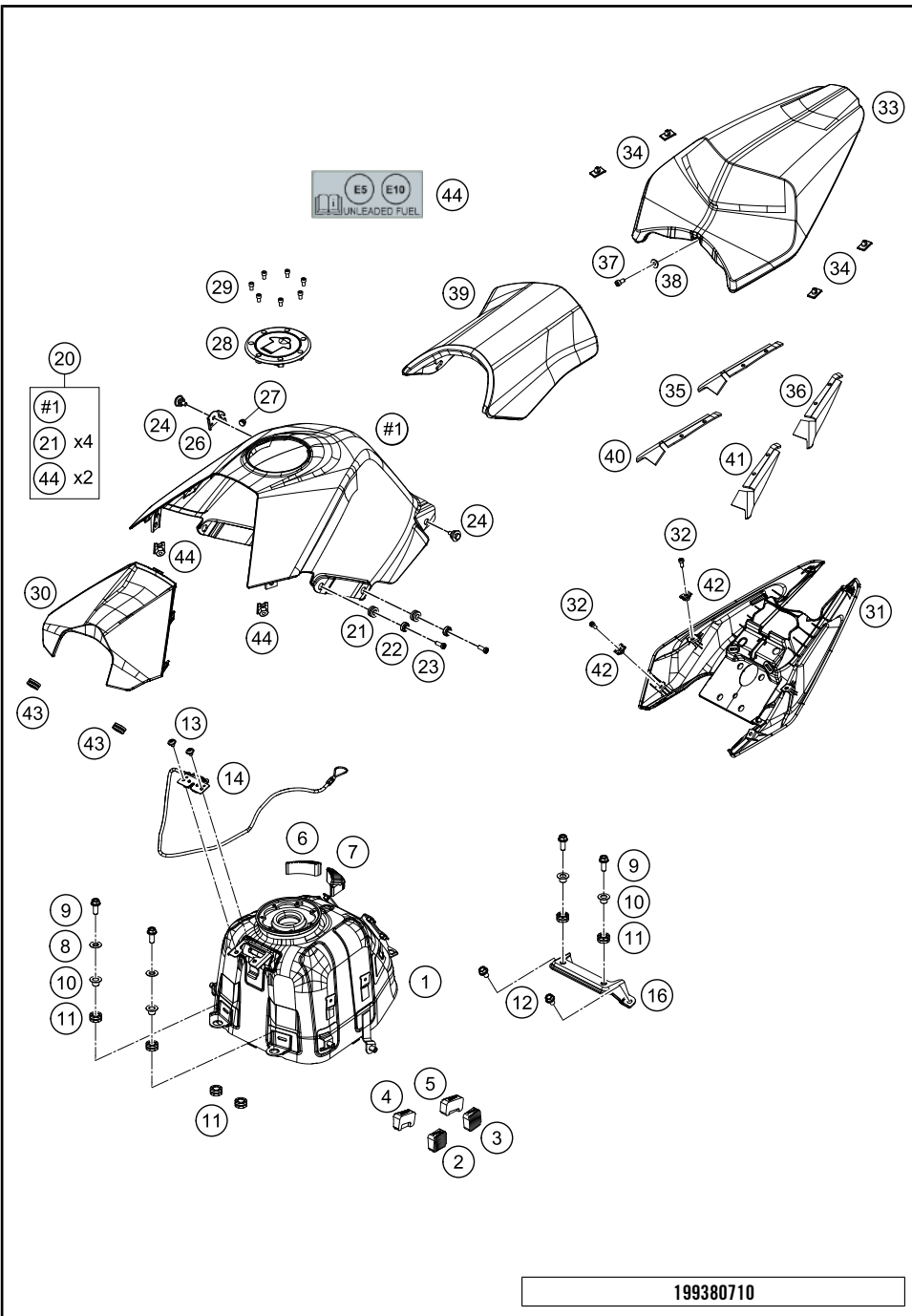
| POS | PARTNUMBER | PARTNAME | PIECE |
|-----|---------------|-------------------------------------|-------|
| 1 | 93507013100 | Fuel tank | 1 |
| 2 | 90507011040 | TANK PAD FRONT L/S | 1 |
| 3 | 90507011060 | TANK PAD REAR L/S | 1 |
| 4 | 90507011050 | TANK PAD FRONT R/S | 1 |
| 5 | 90507011070 | TANK PAD REAR R/S | 1 |
| 6 | 90507011020 | TANK PAD TOP R/S | 1 |
| 7 | 90507011010 | TANK PAD TOP L/S | 1 |
| 8 | 90511055001 | SLEEVE BATTERY MTG CASE | 2 |
| 9 | J025080203 | HH COLLAR SCREW M8X20 SW12 | 4 |
| 10 | 90507013005 | SLEEVE TANK MOUNTING | 4 |
| 11 | 90507013006 | GROMMET TANK MOUNTING | 6 |
| 12 | J025080123 | HH COLLAR SCREW M8X12 SW12 | 2 |
| 13 | 90508006004 | SOCKET HEAD BOLT M6X1X8 | 2 |
| 14 | 90508025033 | LOCK BATTERY CASE CPL. | 1 |
| 16 | 90503071000 | TANK MOUNTING REAR | 1 |
| 20 | 90508049000EB | Tank cover top orange | 1 |
| 21 | 90507040001 | RUBBER SLEEVE | 4 |
| 22 | 90508045000 | WASHER GFN | 4 |
| 23 | 90808043001 | BOLT SOCKET M6X1XL | 4 |
| 24 | 90107040003 | SPECIAL SCREW | 2 |
| 26 | 90508025070 | BRACKET CABLE LID LOCK | 1 |
| 27 | 90141023003 | GROMMET | 1 |
| 28 | 90507008000 | TANK CAP | 1 |
| 29 | J912050151 | AH SCREW M5X14 BLACK | 7 |
| 30 | 9050802500033 | LID BATTERY BLACK | 1 |
| 31 | 90508018000EB | Under tray bottom electronic orange | 1 |
| 32 | 90508018001 | SOCKET HEAD BOLT M5X12 | 4 |
| 33 | 90507049000 | PILLION SEAT | 1 |
| 34 | 90507047041 | SEAT DUMPER SOZIUS SEAT | 4 |
| 35 | 90507056000 | PROTECTION SOZIUSSEAT TOP L/S | 1 |
| 36 | 90507055000 | PROTECTION SOZIUSSEAT TOP L/S | 1 |
| 37 | 90507047001 | AH SCREW M6X12 | 1 |
| 38 | 90508016060 | COLLAR UNDER TRAY | 1 |
| 39 | 93807040000 | SEAT | 1 |
| 40 | 90507058000 | PROTECTION SOZIUSSEAT DOWN R/S | 1 |
| 41 | 90507057000 | PROTECTION SOZIUSSEAT DOWN L/S | 1 |
| 42 | 90108050001 | CLIP NUT M5 | 4 |

199380710

51914

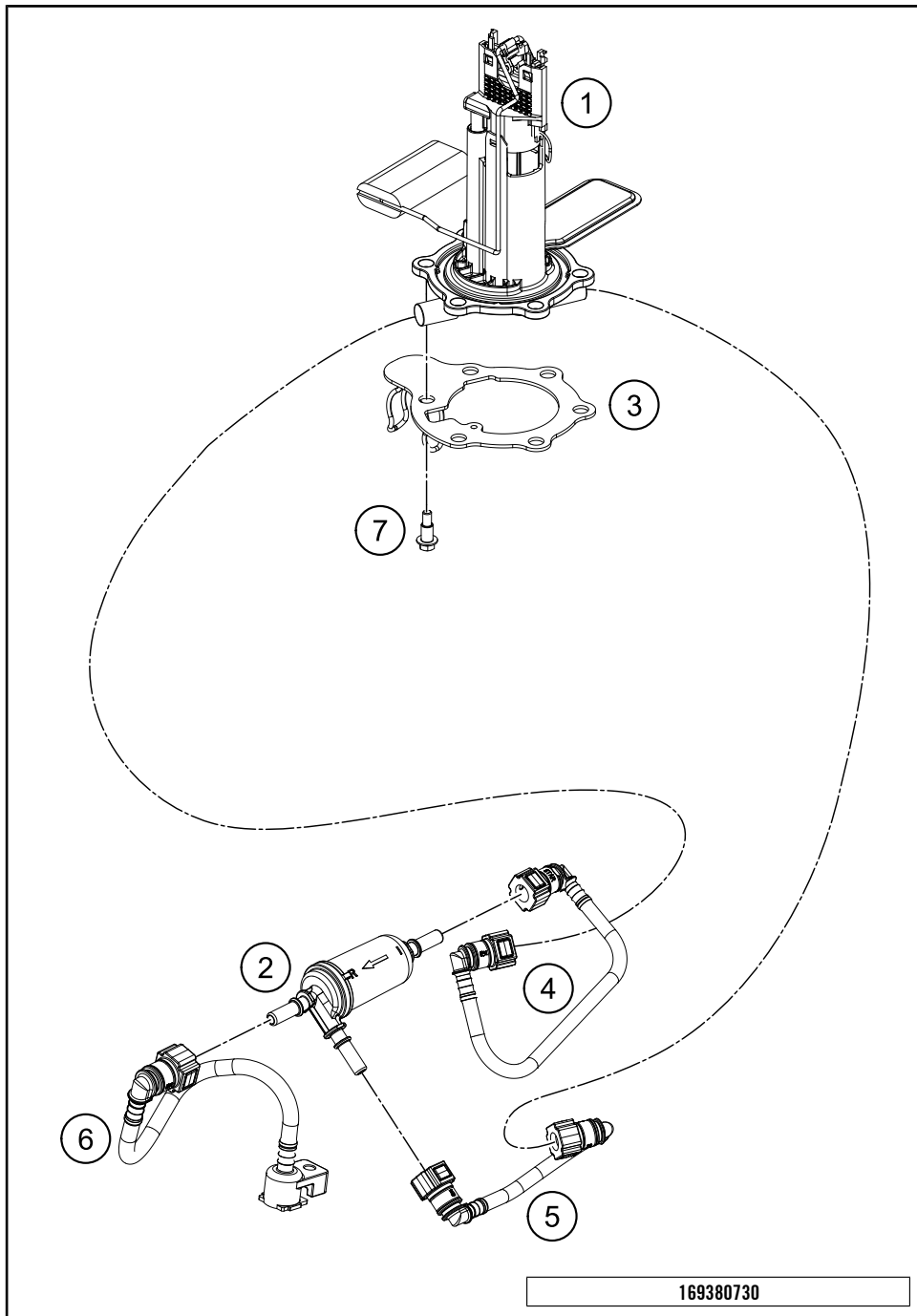
* NEW PART

X ON DEMAND



| POS | PARTNUMBER | PARTNAME | PIECE |
|-----|-------------|------------------------|-------|
| 43 | 90508024050 | GROMMET BATTERY BOX | 2 |
| 44 | 21007098000 | Sticker fuel labelling | 1 |

51914 * NEW PART X ON DEMAND



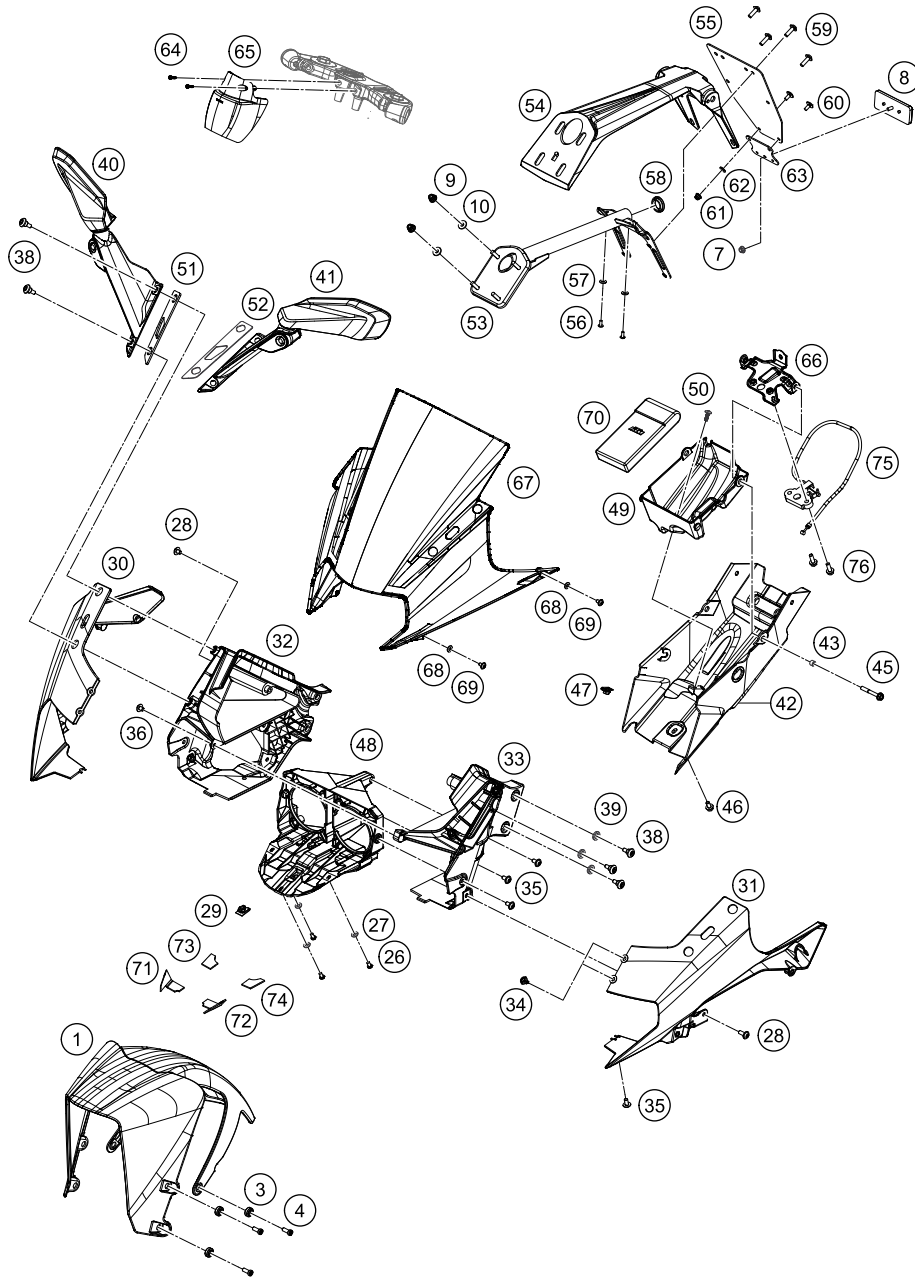
| POS | PARTNUMBER | PARTNAME | PIECE |
|-----|-------------|--------------------------------------|-------|
| 1 | 93507088000 | FUEL PUMP | 1 |
| 2 | 93807018000 | fuel filter | 1 |
| 3 | 93807089140 | PRESSURE PLATE FUEL PUMP | 1 |
| 4 | 93807018010 | HOSE PUMP TO FUEL FILTER | 1 |
| 5 | 93807018100 | HOSE FUEL FILTER TO REGULATOR | 1 |
| 6 | 93541013044 | Fuel line complete | 1 |
| 7 | J025060128 | BOLT FLANGE- M6 X 1 X L12.8 XBRT XST | 6 |

169380730

18595

* NEW PART

X ON DEMAND



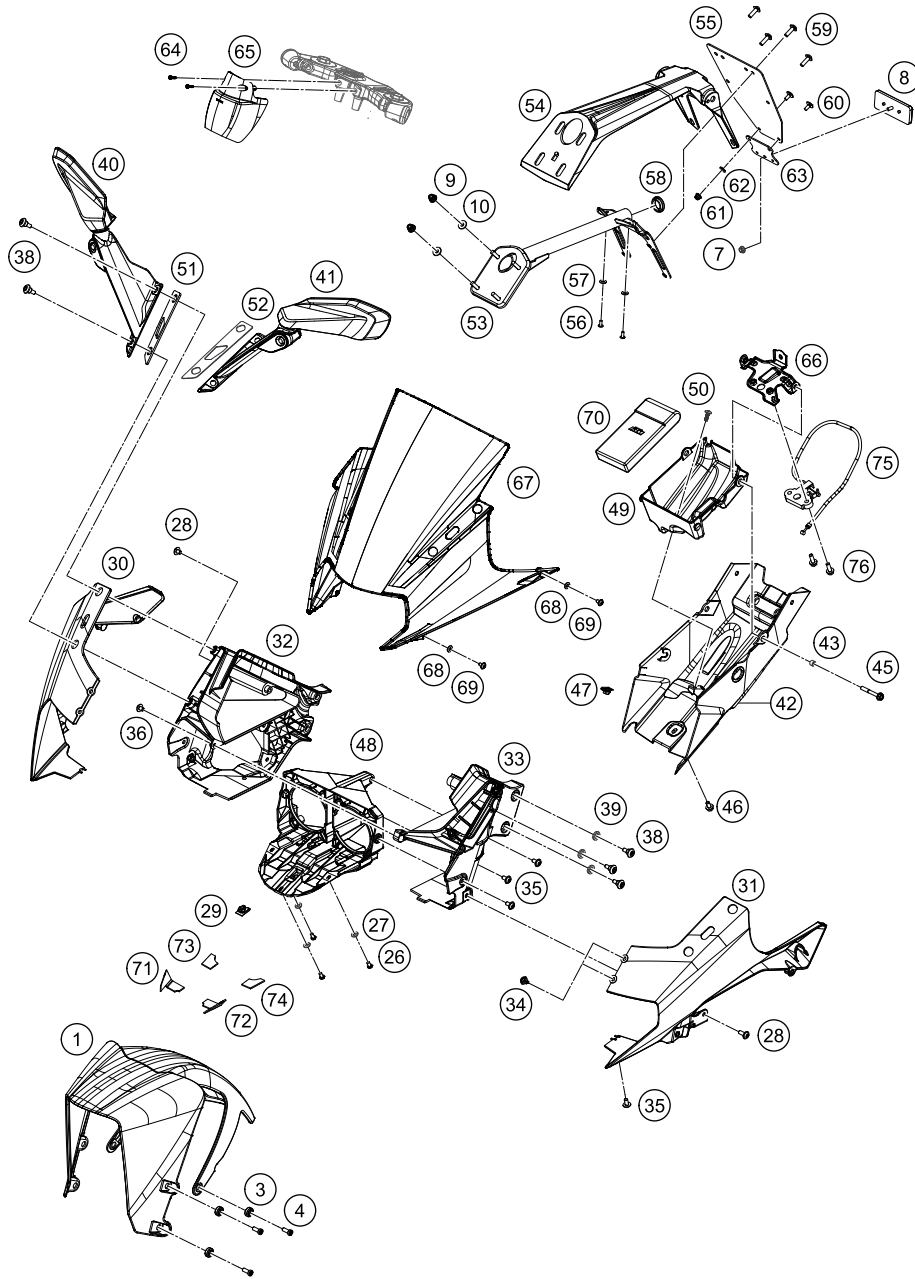
| POS | PARTNUMBER | PARTNAME | PIECE |
|-----|---------------|---------------------------------|-------|
| 1 | 9050801003330 | Font fender cpl. black glossy | 1 |
| 3 | 90808010050 | BUSHING FRONT FENDER | 6 |
| 4 | 90601097000 | SPECIAL SCREW M6X1X20 | 6 |
| 7 | 90204060001 | HH COLLAR NUT | 1 |
| 8 | 90514045000 | REFLECTOR | 1 |
| 9 | 90508016001 | Nut nyloc flanged M6X1XHT.9.1 | 4 |
| 10 | 90508016060 | COLLAR UNDER TRAY | 4 |
| 26 | J005050103 | FLAT HEAD SCREW M5X10 | 3 |
| 27 | 90514007010 | WASHER D=5,5 BLACK | 3 |
| 28 | 90808043000 | SPECIAL SCREW M6X1X16 | 3 |
| 29 | 90103097000 | clip nut | 3 |
| 30 | 9050800200033 | FRONT MASK RH. BLACK | 1 |
| 31 | 9050800100033 | FRONT MASK LH. BLACK | 1 |
| 32 | 90508004000 | FAIRING STRUCTURE R/S | 1 |
| 33 | 90508003000 | FAIRING STRUCTURE L/S | 1 |
| 34 | 90114062001 | EXPANDING RIVET | 2 |
| 35 | 90508006001 | SOCKET HEAD BOLT M6X12 | 7 |
| 36 | 90508006004 | SOCKET HEAD BOLT M6X1X8 | 1 |
| 38 | 90512042020 | STEP BOLT M6 | 10 |
| 39 | 90508010010 | WASHER 10X16X2,3 | 6 |
| 40 | 93812041033 | MIRROR ARM R/S CPL. | 1 |
| 41 | 93812040033 | MIRROR ARM L/S CPL. | 1 |
| 42 | 90508019000 | UNDER TRAY FRONT | 1 |
| 43 | 90508016050 | SLEEVE UNDER TRAY | 2 |
| 45 | J025060454 | HH COLLAR SCREW M6X45 | 2 |
| 46 | J025060129 | HH COLLAR SCREW M6X12 | 1 |
| 47 | 90108050001 | CLIP NUT M5 | 1 |
| 48 | 90514013000 | STRUCTURE HEAD LAMP | 1 |
| 49 | 90508021000 | UTILITY BOX | 1 |
| 50 | J031050163 | CHEESE-HEAD SCREW M5X16 | 1 |
| 51 | 90808006000 | RUBBER PAD R/S | 1 |
| 52 | 90808005000 | RUBBER PAD L/S | 1 |
| 53 | 93508015000 | Plate number structure assembly | 1 |
| 54 | 90508015000 | NUMBER PLATE HOLDER | 1 |
| 55 | 90808016000 | REAR FENDER EXT. | 1 |
| 56 | J981420133 | SHEET MET.SCR. DIN 7981 4,2X13 | 2 |
| 57 | J021040004 | WASHER PLAIN SMALL 4,5X12X1 | 2 |
| 58 | 90508016010 | GROMMET NUMBER PLATE STRUCTURE | 1 |

169380810

50116

* NEW PART

X ON DEMAND



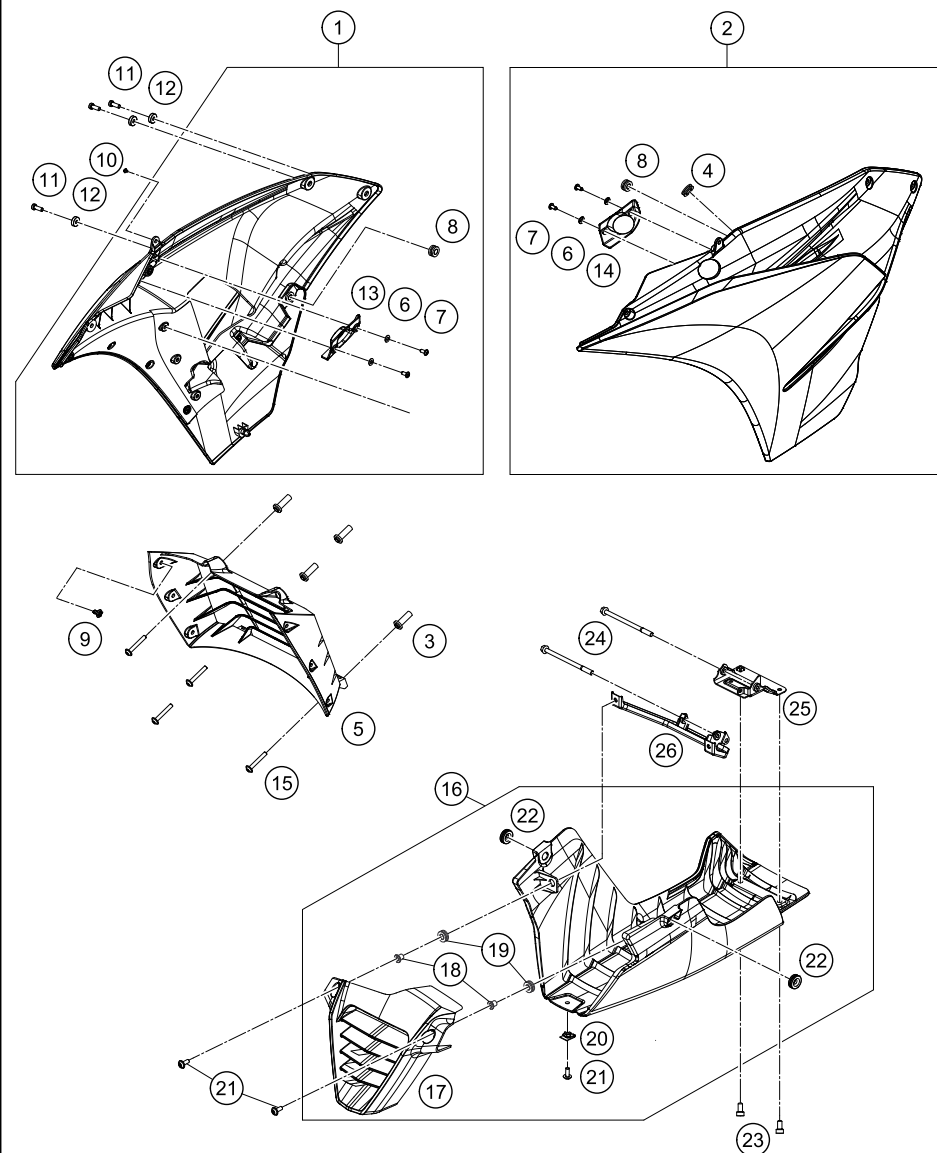
| POS | PARTNUMBER | PARTNAME | PIECE |
|-----|-------------|----------------------------|-------|
| 59 | 90508006003 | AH SCREW M6X1X20 | 4 |
| 60 | J005050123 | FLAT HEAD SCREW M5X12 PH | 2 |
| 61 | 90102031010 | HEX NUT M5 AF8 | 2 |
| 62 | 90508015010 | WASHER D=5,5 | 2 |
| 63 | 90514044000 | REFLECTOR MOUNTING | 1 |
| 64 | 90511064000 | SCREW SELF TAPING D=5X18 | 2 |
| 65 | 90508023000 | COVER IGNITION SWITCH | 1 |
| 66 | 90503002070 | BRIDGE BRACKET SEAT MTG | 1 |
| 67 | 90508008000 | VISOR | 1 |
| 68 | 90808045000 | SPECIAL WASHER | 4 |
| 69 | 90808073000 | SPECIAL SCREW M6X1X10 | 4 |
| 70 | 90529099000 | TOOLKIT | 1 |
| 71 | 90508042002 | PAD RUBBER SIDEMASK RH FR | 1 |
| 72 | 90508041002 | PAD RUBBER SIDEMASK LH FR | 1 |
| 73 | 90508042003 | PAD RUBBER SIDEMASK RH RR | 1 |
| 74 | 90508041003 | PAD RUBBER SIDEMASK LH RR | 1 |
| 75 | 90507050033 | SEAT LOCK CPL. | 1 |
| 76 | J025060183 | HH COLLAR SCREW M6X18 SW10 | 2 |

169380810

50116

* NEW PART

X ON DEMAND



189050815

50437

| POS | PARTNUMBER | PARTNAME | PIECE |
|-----|---------------|--|-------|
| 1 | 90508051044EB | side fairing rh cpl. orange | 1 |
| 2 | 90508050044EB | Side fairing le cpl. orange | 1 |
| 3 | 90503007001 | BUSH RADIATOR MTG | 4 |
| 4 | 90508010060 | GROMMET | 1 |
| 5 | 90508011000 | AIR INTAKE | 1 |
| 6 | 90514007010 | WASHER D=5,5 BLACK | 4 |
| 7 | 90508041010 | SCREW K50X12 T20 | 4 |
| 8 | 90507040001 | RUBBER SLEEVE | 4 |
| 9 | 90114062001 | EXPANDING RIVET | 6 |
| 10 | 90508006004 | SOCKET HEAD BOLT M6X1X8 | 2 |
| 11 | 90808043001 | BOLT SOCKET M6X1XL | 6 |
| 12 | 90508045000 | WASHER GFN | 6 |
| 13 | 90508054050 | FLASHER BLIND COVER R/S | 1 |
| 14 | 90508054000 | FLASHER BLIND COVER L/S | 1 |
| 15 | 90508006002 | AH SCREW M6X42 | 4 |
| 16 | 93508020044EB | Lower fairing cpl. orange | 1 |
| 17 | 93808020100 | BELLY PAN | 1 |
| 18 | 93808027000 | SLEEVE | 2 |
| 19 | 93808026100 | GROMMET BELLY PAN | 2 |
| 20 | 90103097000 | clip nut | 1 |
| 21 | 90808043000 | SPECIAL SCREW M6X1X16 | 3 |
| 22 | 90508055010 | GROMMET SIDE FAIRING | 2 |
| 23 | 90507047001 | AH SCREW M6X12 | 2 |
| 24 | J026060903 | HH COLLAR SCREW M6X90 | 2 |
| 25 | 93508021000 | Support | 1 |
| 26 | 93508026000 | Retaining bracket unter-engine fairing | 1 |

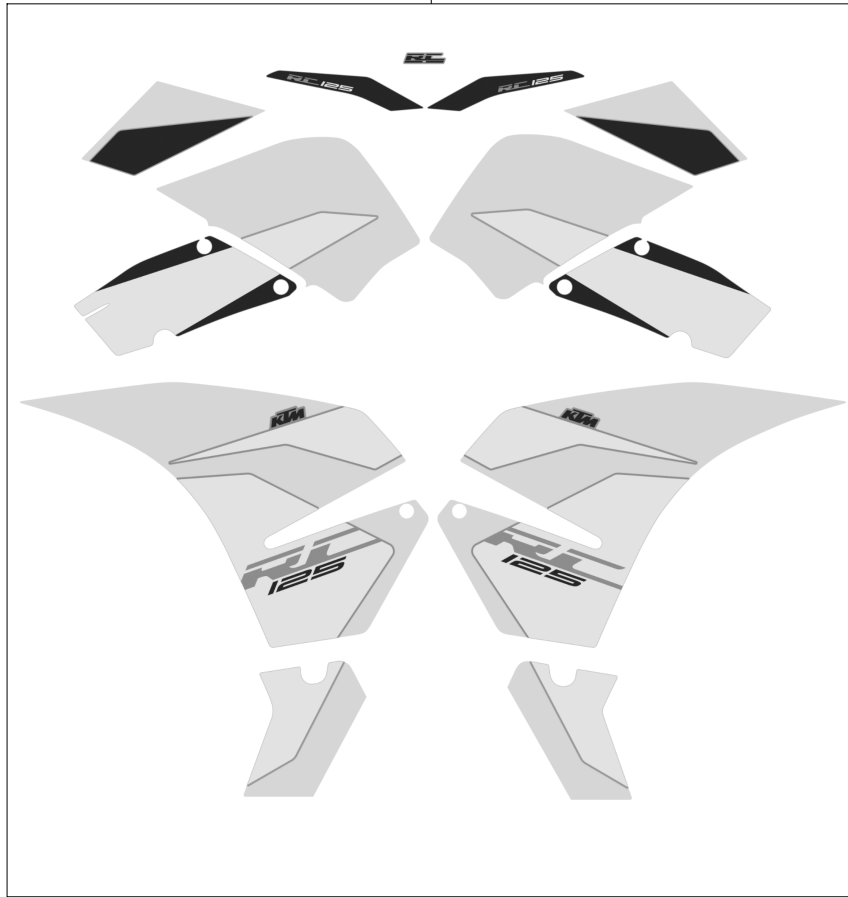
* NEW PART

X ON DEMAND

DECAL

RC 125, orange, 2019 EU 2019

1



| POS | PARTNUMBER | PARTNAME | PIECE |
|-----|-------------|------------------|-------|
| 1 | 90508099200 | Decal kit RC 125 | 1 |

179050830

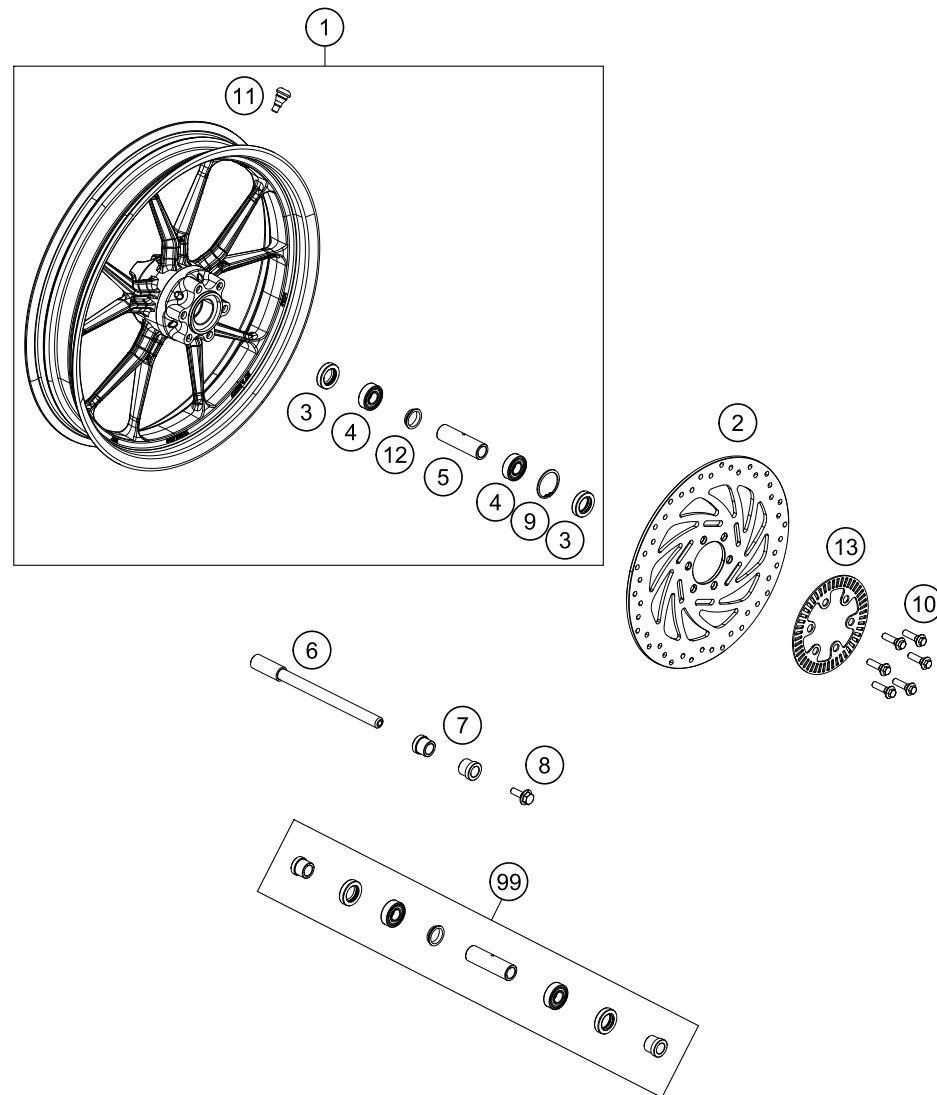
18805

* NEW PART

X ON DEMAND

FRONT WHEEL

RC 125, orange, 2019 EU 2019



| POS | PARTNUMBER | PARTNAME | PIECE |
|-----|---------------|--------------------------------|-------|
| 1 | 93009001044EB | Front wheel cpl. orange | 1 |
| 2 | 93009060000 | Brake disc front D=300MM | 1 |
| 3 | J760223508 | SHAFT SEAL RING 22X35X8 | 2 |
| 4 | J625062021 | BALL BEARING 6202 | 2 |
| 5 | 90109011000 | Spacer front wheel | 1 |
| 6 | 93009081000 | Front axle | 1 |
| 7 | 90209083000 | BEARING BUSHING | 2 |
| 8 | 90109082000 | flanged bolt M8 | 1 |
| 9 | J472035150 | Circlip 35X1,5 | 1 |
| 10 | 90110062000 | SPECIAL SCREW M8X25 SELF LOCK. | 6 |
| 11 | 90109076000 | VALVE CPL. | 1 |
| 12 | 90109011001 | Fixation bearing spacer tube | 1 |
| 13 | 93042020000 | SENSORRING ABS | 1 |
| 99 | 90109015000 | FRONT WHEEL REP. KIT | x |

149050910

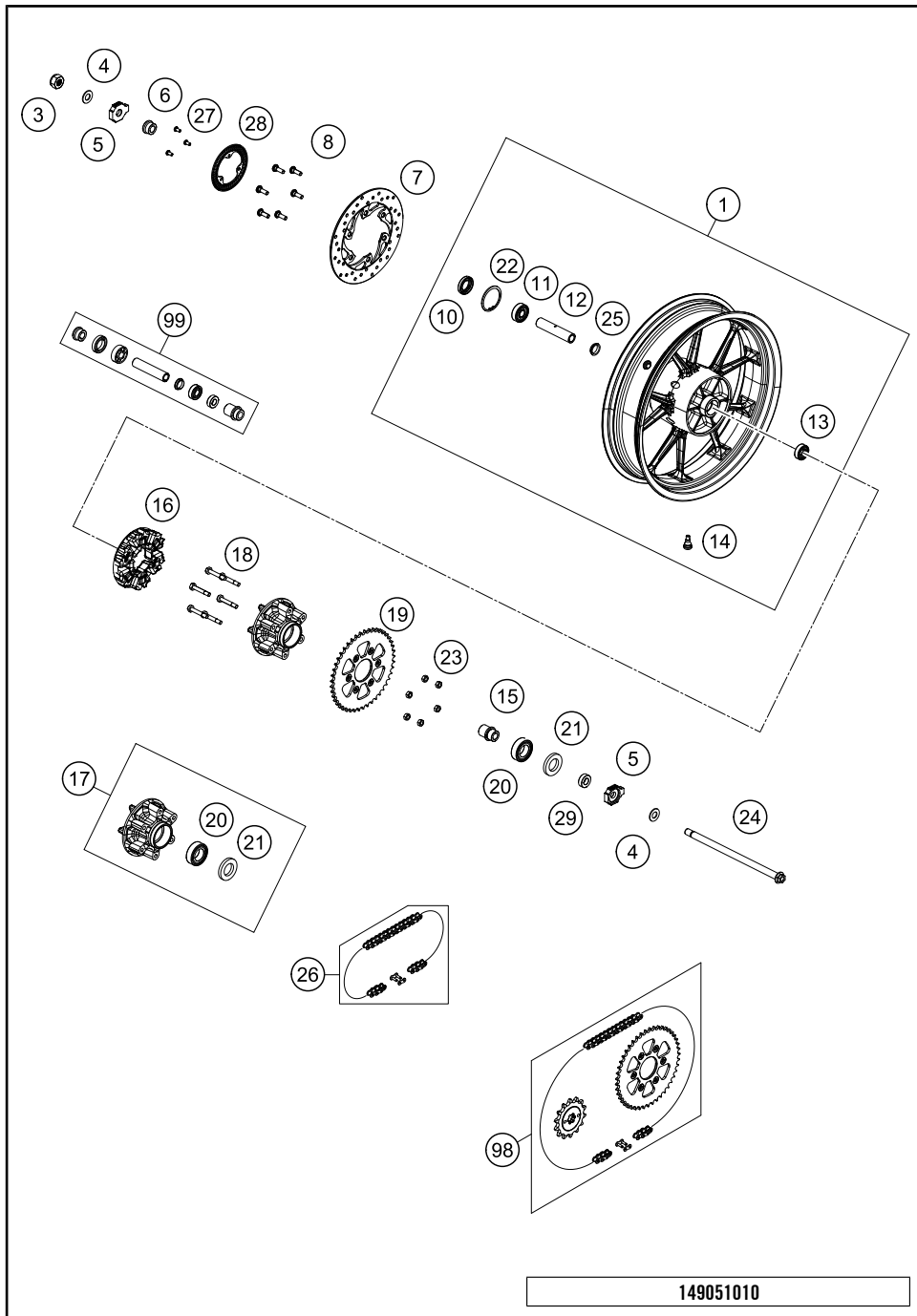
18793

* NEW PART

X ON DEMAND

REAR WHEEL

RC 125, orange, 2019 EU 2019

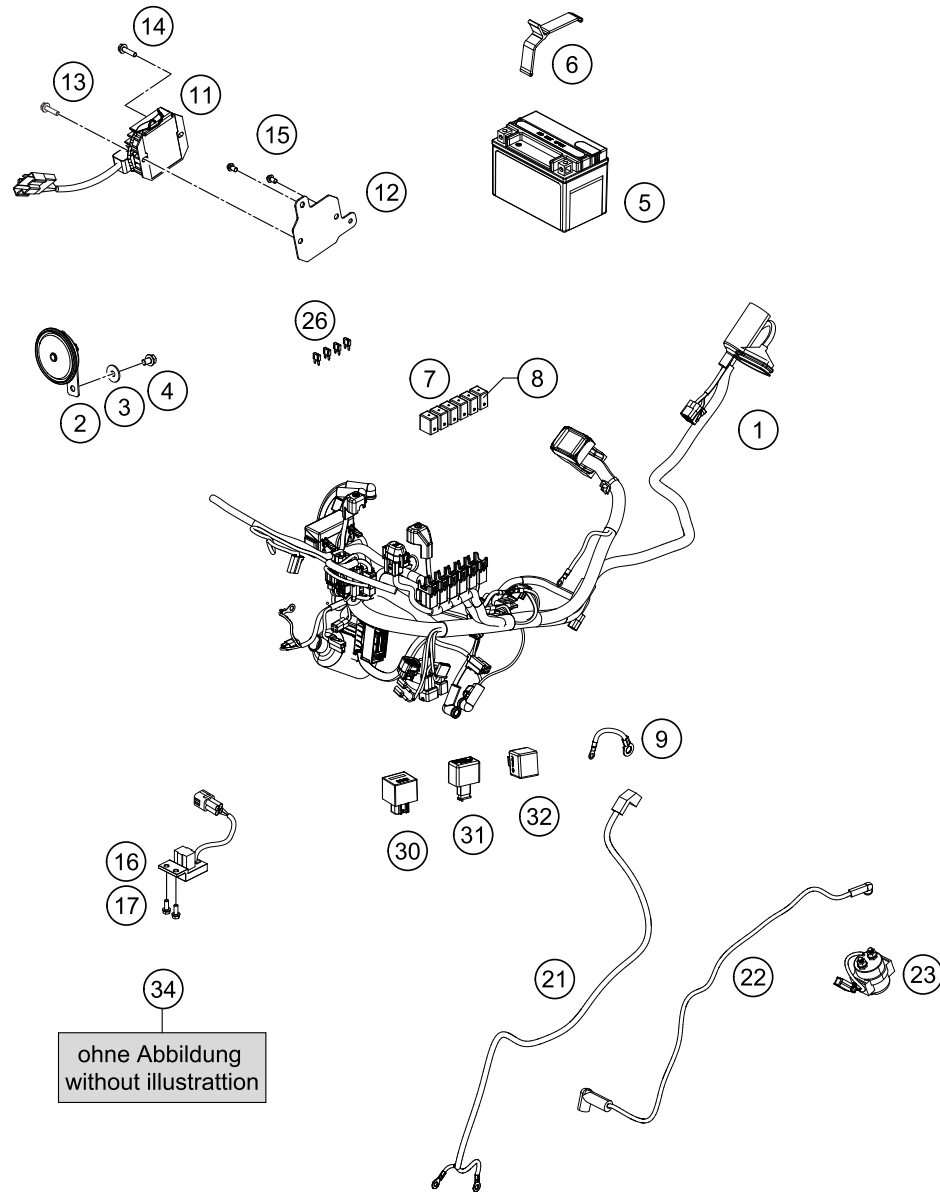


| POS | PARTNUMBER | PARTNAME | PIECE |
|-----|---------------|--------------------------------|-------|
| 1 | 93010001044EB | Rear wheel cpl. orange | 1 |
| 3 | 90210086000 | wheel spindle nut, rear | 1 |
| 4 | 90610087000 | washer 15.2x30x2 | 2 |
| 5 | 90110084000 | chain tension adjuster, right | 2 |
| 6 | 90110013000 | SPACER BUSHING REAR WHEEL R/S | 1 |
| 7 | 90110060000 | rear brake disk D=230mm | 1 |
| 8 | 90110062000 | SPECIAL SCREW M8X25 SELF LOCK. | 6 |
| 10 | J760264208 | SHAFT SEAL RING 26X42X8 | 1 |
| 11 | J625063020 | BALL BEARING 6302 | 1 |
| 12 | 90110011000 | BEARING SPACER TUBE REAR | 1 |
| 13 | J625062021 | BALL BEARING 6202 | 1 |
| 14 | 90109076000 | VALVE CPL. | 1 |
| 15 | 90610054000 | SPACER BUSHING KRT INSIDE | 1 |
| 16 | 90110059100 | DAMPER | 1 |
| 17 | 90210050000 | SPROCKET SUPPORT | 1 |
| 18 | 90810052000 | SPECIAL SCREW M8X48 | 6 |
| 19 | 90510051045 | rear sprocket 45 teeth | 1 |
| 20 | J625062050 | BALL BEARING 6205 | 1 |
| 21 | J760295207 | SHAFT SEAL RING 29X52X7 | 1 |
| 22 | J472042170 | CIRCLIP | 1 |
| 23 | J934080003 | HEX NUT M8 SW13 | 6 |
| 24 | 90210085000 | Axle rear KT03 | 1 |
| 25 | 90109011001 | Fixation bearing spacer tube | 1 |
| 26 | 78010167118 | CHAIN DID 118 LINKS | 1 |
| 27 | 90142021001 | SCREW FOR ABS | 3 |
| 28 | 90142021000 | SENSOR DISC REAR | 1 |
| 29 | 90110053000 | SPACER CHAIN WHEEL SUPPORT | 1 |
| 98 | 00050002040 | DRIVETRAIN KIT 125DUKE 14T/45T | x |
| 99 | 90110015100 | REAR WHEEL REP. KIT 390 DUKE | x |

149051010

18794

* NEW PART X ON DEMAND



| POS | PARTNUMBER | PARTNAME | PIECE |
|-----|-------------|-----------------------------|-------|
| 1 | 93511275000 | Main wiring harness | 1 |
| 2 | 90111060100 | HORN 82 DIA | 1 |
| 3 | 90111060010 | WASHER PLAIN 8,4X25X2 | 1 |
| 4 | J025080123 | HH COLLAR SCREW M8X12 SW12 | 1 |
| 5 | 90611053000 | BATTERY 12V/8AH | 1 |
| 6 | 90511054001 | BRACKET RUBBER FOR BATTERY | 1 |
| 7 | 90611057000 | relay (interlock) | 6 |
| 8 | 90611157000 | RELAY (AUX1DIODE) | 1 |
| 9 | 90211097000 | earth wire | 1 |
| 11 | 90511034000 | voltage regulator | 1 |
| 12 | 90511134010 | BRACKET VOLTAGE REGULATOR | 1 |
| 13 | J025060303 | FLANGED BOLT M6X30 WS10 | 1 |
| 14 | J025060253 | bolt flanged M6X25 | 1 |
| 15 | J025060109 | HH-COLLAR SCREW M6X10 SW8 | 2 |
| 16 | 93541088000 | rollover sensor | 1 |
| 17 | J025060169 | HH COLLAR SCREW M6X16 SW8 | 2 |
| 21 | 93511097000 | EARTH CABLE | 1 |
| 22 | 90811059000 | STARTER CABLE | 1 |
| 23 | 90111058000 | STARTER RELAY | 1 |
| 26 | 75011088005 | FUSE MINI 5A | 1 |
| 26 | 75011088010 | FUSE 10A 07 | 3 |
| 26 | 75011088015 | FUSE 15A 07 | 5 |
| 26 | 75011088030 | FUSE 30A | 1 |
| 30 | 93539010000 | Start OK control unit | 1 |
| 31 | 90511030000 | indicator relay | 1 |
| 32 | 93811043000 | resistor | 1 |
| 34 | 90838091000 | Pigtail oil pressure switch | 1 |
| 34 | 93042033000 | Cable earth ABS | 1 |

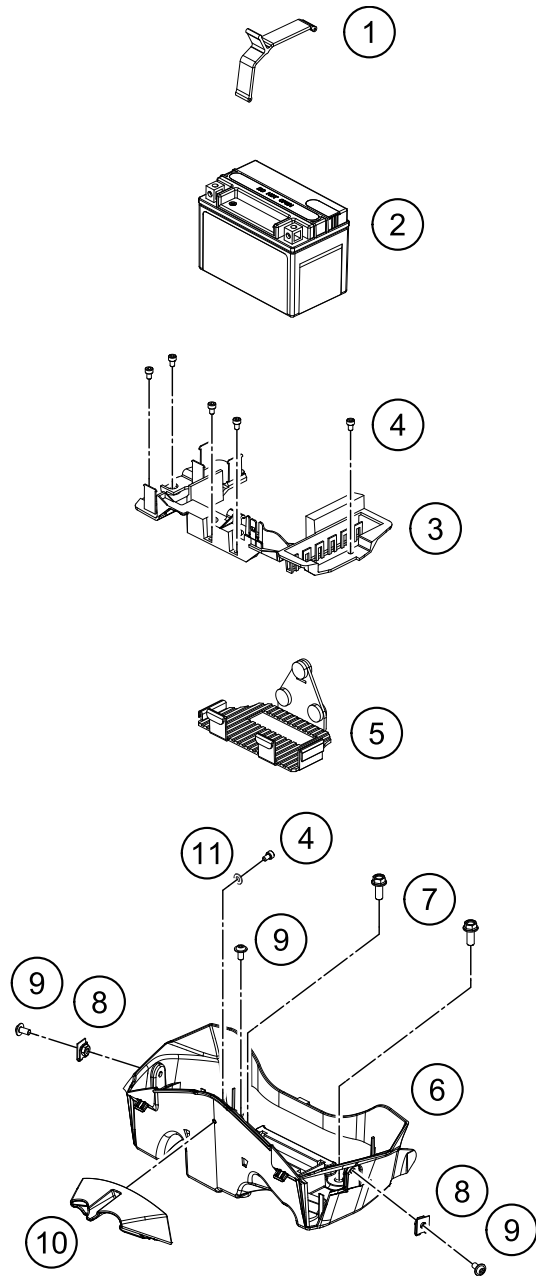
ohne Abbildung
without illustration

149051110

18796

* NEW PART

X ON DEMAND



169381130

| POS | PARTNUMBER | PARTNAME | PIECE |
|-----|-------------|----------------------------|-------|
| 1 | 90511054001 | BRACKET RUBBER FOR BATTERY | 1 |
| 2 | 90611053000 | BATTERY 12V/8AH | 1 |
| 3 | 90511055000 | BATTERY BRACKET | 1 |
| 4 | 90511054002 | AH SCREW M5X8 | 6 |
| 5 | 90511054000 | RUBBER BATTERY BRACKET | 1 |
| 6 | 90508024000 | BATTERY CASE | 1 |
| 7 | J025080203 | HH COLLAR SCREW M8X20 SW12 | 2 |
| 8 | 90103097000 | clip nut | 2 |
| 9 | 90508006001 | SOCKET HEAD BOLT M6X12 | 3 |
| 10 | 90508048000 | PLUG COVER | 1 |
| 11 | J125050005 | WASHER M5 | 1 |

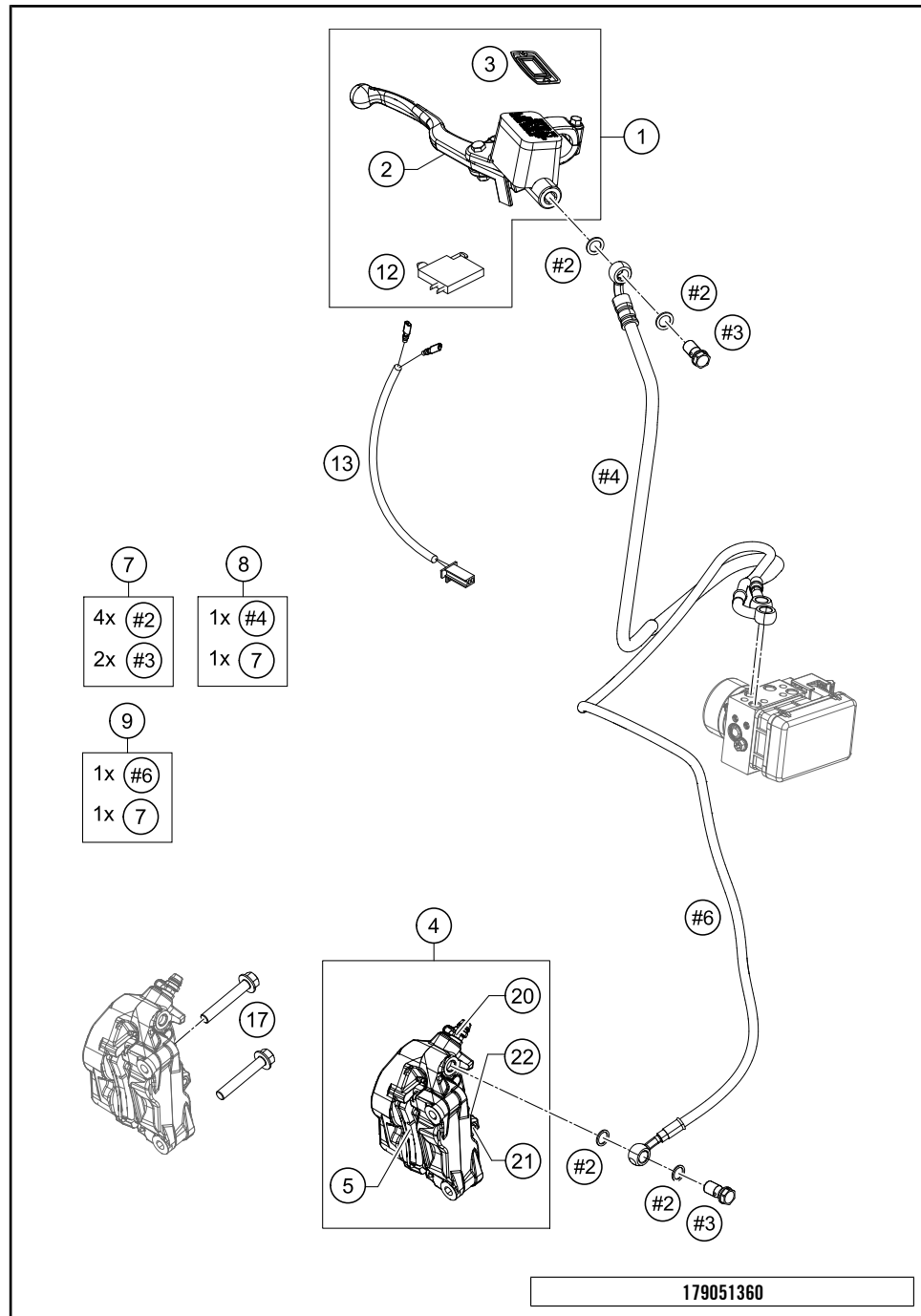
17790

* NEW PART

X ON DEMAND

FRONT BRAKE CALIPER

RC 125, orange, 2019 EU 2019



| POS | PARTNUMBER | PARTNAME | PIECE |
|-----|-------------|--------------------------------|-------|
| 1 | 93513001100 | Hand brake cylinder with lever | 1 |
| 2 | 93013002000 | Hand brake lever loose | 1 |
| 3 | 90113001007 | MEMBRANE | 1 |
| 4 | 90113015000 | BRAKE CALIPER RADIAL | 1 |
| 5 | 93813030044 | KIT FRONT BRAKE PAD WITH SHIM | 1 |
| 7 | 90113013044 | BANJO BOLT KIT | x |
| 8 | 90542001044 | BRAKE HOSE KIT ABS-FRONT CYL. | x |
| 9 | 90642004044 | BRAKE HOSE KIT ABS-FRONT CAL. | x |
| 12 | 90111050000 | brake light switch, front | 1 |
| 13 | 90111050050 | WIRE BRAKE LIGHT SWITCH FRONT | 1 |
| 17 | J01008050S | HH COLLAR SCREW M8X1X50 SW12SS | 2 |
| 20 | 90113021000 | BLEEDER SCREW | 1 |
| 21 | 90113017000 | BOLT F. BRAKE PADS | 1 |
| 22 | 90113018000 | SPRING CLIP | 1 |

179051360

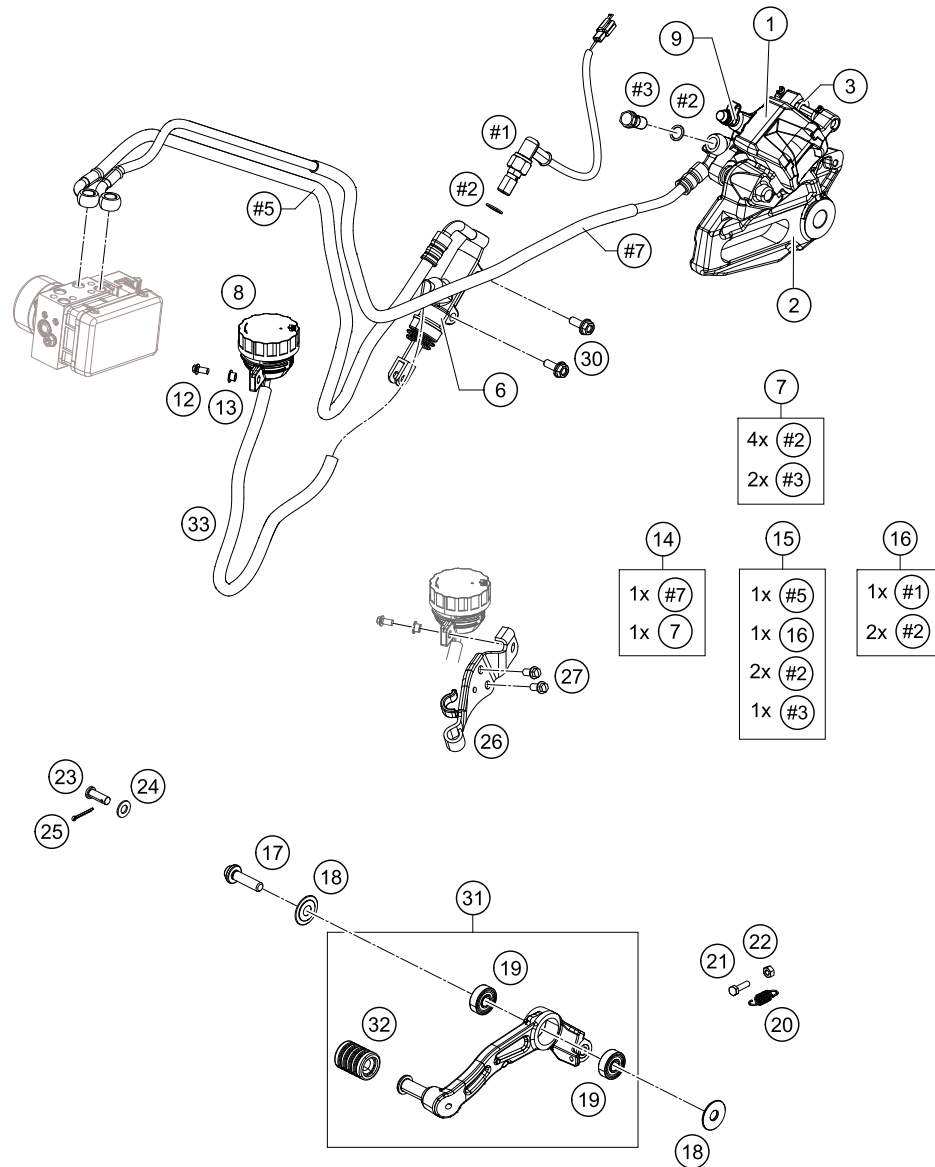
18797

* NEW PART

X ON DEMAND

REAR BRAKE CALIPER

RC 125, orange, 2019 EU 2019



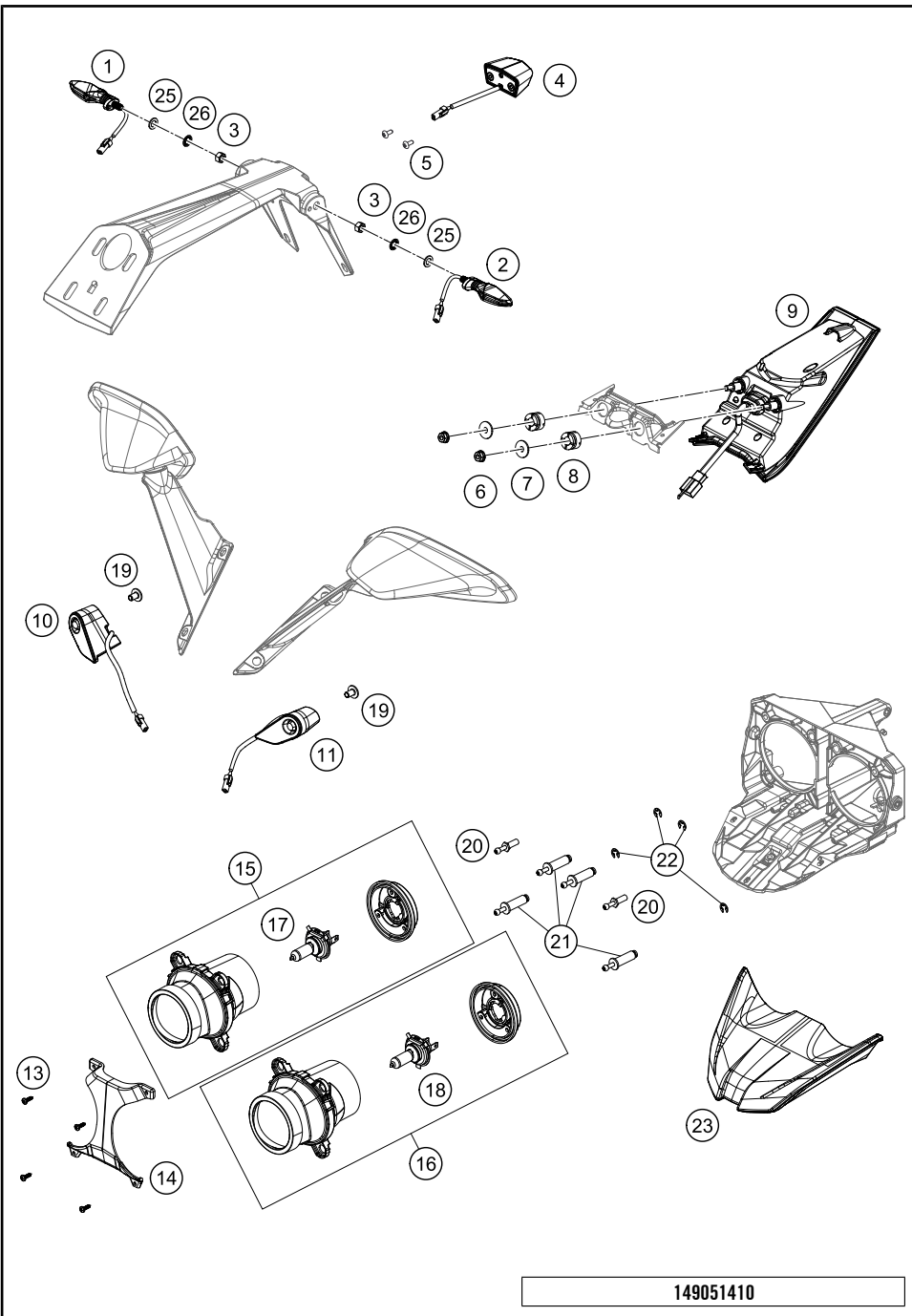
| POS | PARTNUMBER | PARTNAME | PIECE |
|-----|-------------|--------------------------------|-------|
| 1 | 90113080000 | brake caliper, rear cpl. | 1 |
| 2 | 90613075000 | BRAKE CALIPER SUPPORT REAR ABS | 1 |
| 3 | 90113090000 | REAR BRAKE PADS - SET | 1 |
| 6 | 90113060000 | footbrake zylinder cpl. | 1 |
| 7 | 90113013044 | BANJO BOLT KIT | x |
| 8 | 90113009000 | BRAKE FLUID RESERVOIR CPL. | 1 |
| 9 | 90113121000 | BLEEDER SCREW | 1 |
| 12 | J025060143 | HH COLLAR SCREW M6X14 SW8 | 1 |
| 13 | 90114060003 | COLLAR BUSHING | 1 |
| 14 | 90642001044 | BRAKE HOSE KIT ABS-REAR CAL. | x |
| 15 | 90542002044 | BRAKE HOSE KIT ABS-REAR CYL. | x |
| 16 | 90111051044 | BREAK LIGHT SWITCH REAR KIT | x |
| 17 | 90534034300 | BOLT SHIFT LEVER | 1 |
| 18 | 90534031020 | WASHER SHIFTING LEVER | 2 |
| 19 | J625060800 | BALL BEARING 608 | 2 |
| 20 | 90113052000 | brake pedal spring | 1 |
| 21 | J933060253 | HH COLLAR SCREW DIN 933 M6X25 | 1 |
| 22 | J934060003 | HEXAGON NUT M6 | 1 |
| 23 | 90113057000 | pin for fork end | 1 |
| 24 | J125060003 | PLAIN WASHER 6,5X13X1 | 1 |
| 25 | J094020153 | splint pin 2x15mm | 1 |
| 26 | 90113174000 | RETAINING PLATE RESERVOIR | 1 |
| 27 | J025060109 | HH-COLLAR SCREW M6X10 SW8 | 2 |
| 30 | J025060163 | HH COLLAR SCREW M6X16 SW10 | 2 |
| 31 | 90113050244 | FOOT BRAKE LEVER CPL. | 1 |
| 32 | 90134035000 | GEAR SHIFT LEVER RUBBER | x |
| 33 | 90513069000 | HOSE FOR RESERVOIR | 1 |

149051391

15642

* NEW PART

X ON DEMAND

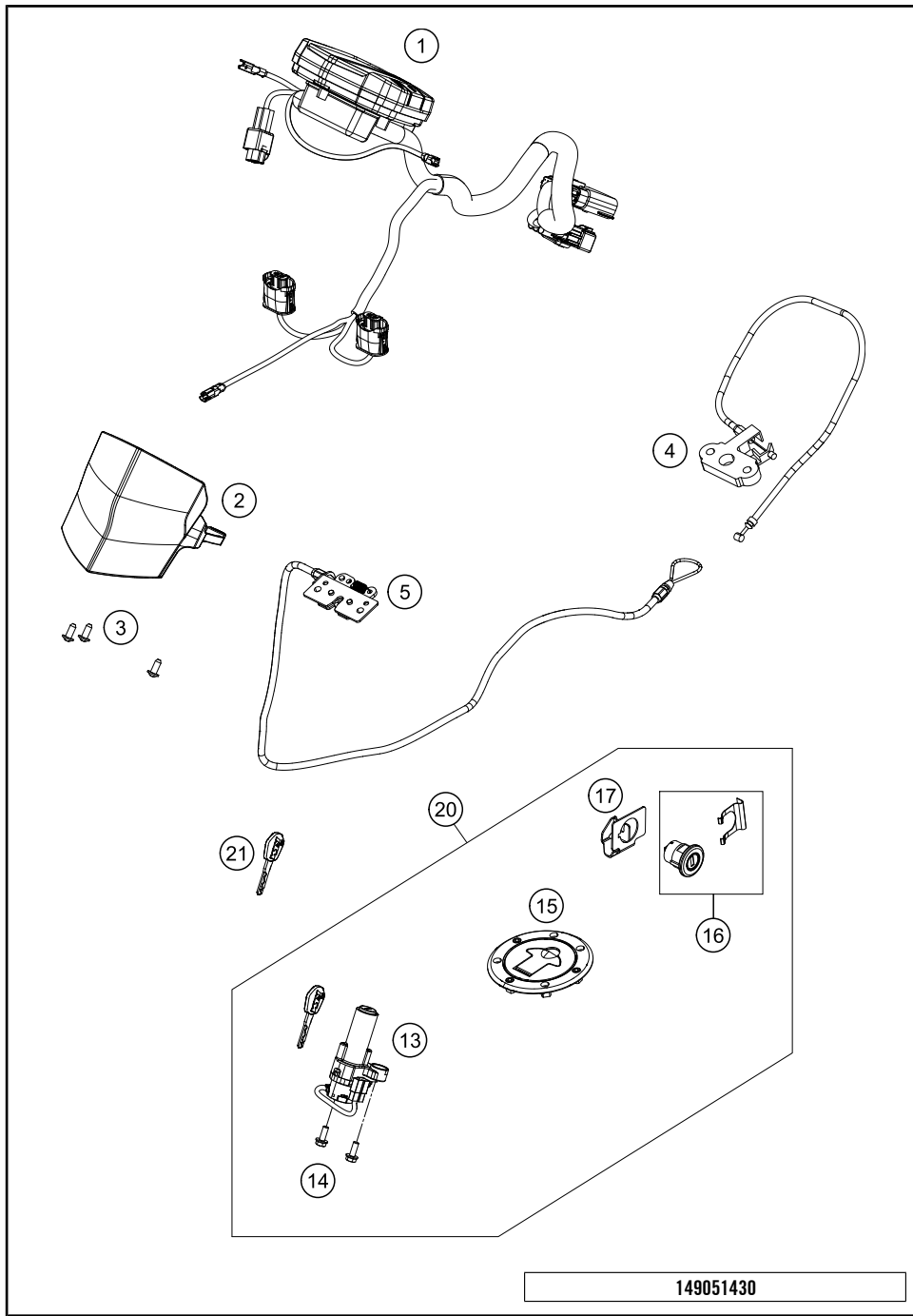


| POS | PARTNUMBER | PARTNAME | PIECE |
|-----|-------------|--------------------------------|-------|
| 1 | 90514036100 | FLASHER REAR R/S | 1 |
| 2 | 90514035100 | FLASHER REAR L/S | 1 |
| 3 | 90103038002 | FLANGED NUT M10X1,25 WS14 | 2 |
| 4 | 90114047000 | LICENSE PLATE ILLUMINATION | 1 |
| 5 | J981420133 | SHEET MET.SCR. DIN 7981 4,2X13 | 2 |
| 6 | J926060000 | FLANGED NUT M6 WS10 SELF LOCK. | 2 |
| 7 | 90814044000 | PLAIN WASHER | 2 |
| 8 | 90107013004 | GROMMET TOP COVER | 2 |
| 9 | 90514040001 | REAR LIGHT LED | 1 |
| 10 | 90514026000 | FLASHER FRONT R/S | 1 |
| 11 | 90514025000 | FLASHER FRONT L/S | 1 |
| 13 | J981350133 | SHEET MET.SCR. DIN 7981 3,5X13 | 4 |
| 14 | 90514007000 | COVER POSITION LAMP | 1 |
| 15 | 90514003100 | HEADLIGHT HIGH BEAM | 1 |
| 16 | 90514001100 | HEADLIGHT LOW BEAM | 1 |
| 17 | 90514003060 | BULB H9 65W | 1 |
| 18 | 90514003050 | BULB H11 55W | 1 |
| 19 | J031050083 | CHEESE-HEAD SCREW M5X8 | 2 |
| 20 | 90514013010 | FASTENING BOLT HEADLAMP | 2 |
| 21 | 90514013020 | ADJUSTING BOLT HEADLAMP | 4 |
| 22 | 90514013030 | CIRCLIP D=6 | 4 |
| 23 | 90514004000 | LAMP PARKING LIGHT | 1 |
| 25 | J125100003 | WASHER PLAIN 10,5 | 2 |
| 26 | J797100003 | TOOTHED WASHER M10 | 2 |

149051410

45079

* NEW PART X ON DEMAND



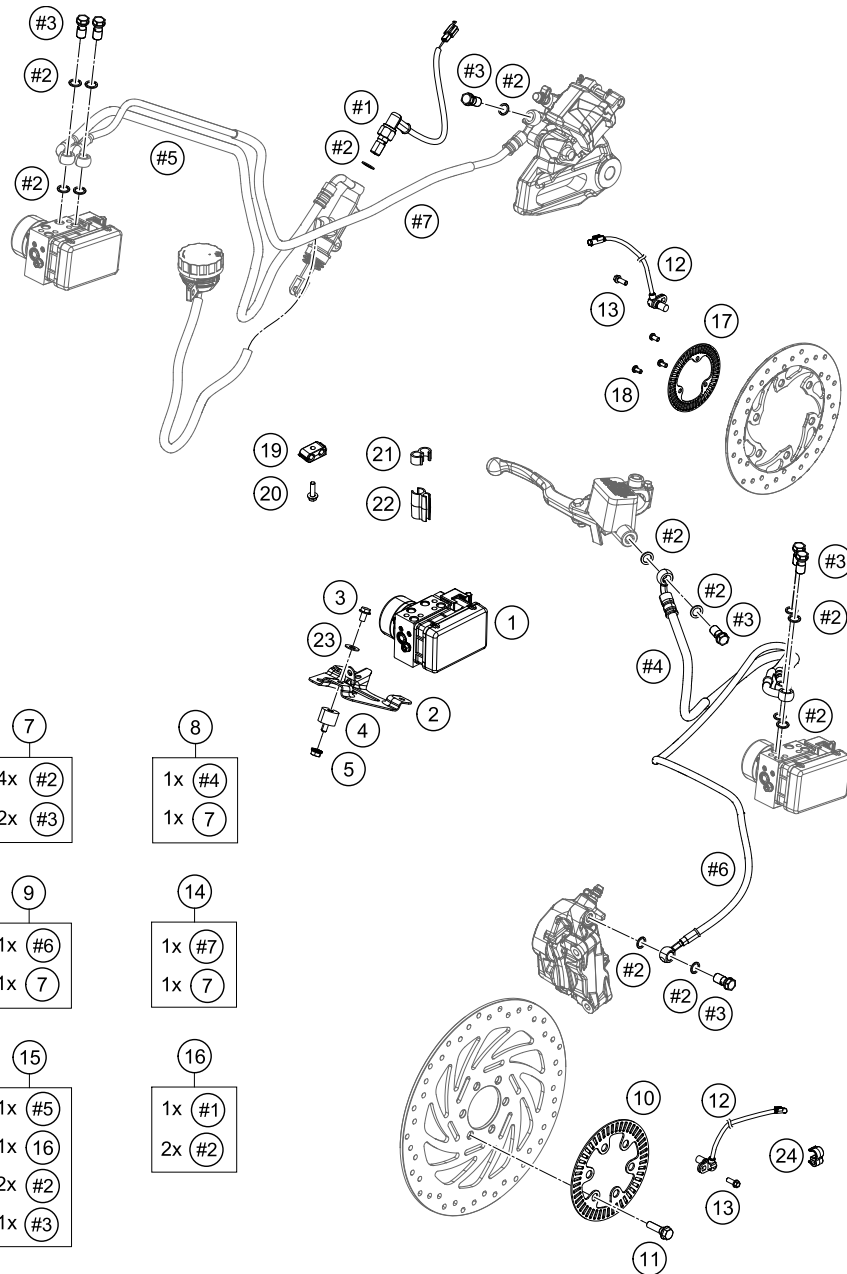
| POS | PARTNUMBER | PARTNAME | PIECE |
|-----|-------------|-------------------------------|-------|
| 1 | 93814069000 | SPEEDOMETER | 1 |
| 2 | 90514006000 | SPEEDOMETER BRACKET | 1 |
| 3 | J081050121 | SELF TAPPING SCREW K50X12 T20 | 3 |
| 4 | 90507050033 | SEAT LOCK CPL. | 1 |
| 5 | 90508025033 | LOCK BATTERY CASE CPL. | 1 |
| 13 | 90511066100 | IGNITION SWITCH | 1 |
| 14 | 90130059000 | HH COLLAR SCREW M6X16 | 2 |
| 15 | 90507008000 | TANK CAP | 1 |
| 16 | 90107050050 | SEAT LOCK | 1 |
| 17 | 90107050051 | seat lock mounting plate | 1 |
| 20 | 90511066044 | LOCK SET | x |
| 21 | 90111067100 | BLANK KEY 125/200 DUKE | 1 |

149051430

18798

* NEW PART

X ON DEMAND



- 7
- 4x #2
- 2x #3

- 8
- 1x #4
- 1x 7

- 9
- 1x #6
- 1x 7

- 14
- 1x #7
- 1x 7

- 15
- 1x #5
- 1x 16
- 2x #2
- 1x #3

- 16
- 1x #1
- 2x #2

179054210

| POS | PARTNUMBER | PARTNAME | PIECE |
|-----|-------------|--------------------------------|-------|
| 1 | 93542031144 | Unit ABS WET KT19 | 1 |
| 2 | 90642040000 | BRACKET ABS MOUNTING | 1 |
| 3 | J026060083 | HH COLLAR SCREW M6X8 SW10 | 3 |
| 4 | 90135001001 | silentbloc M6 | 3 |
| 5 | J926060000 | FLANGED NUT M6 WS10 SELF LOCK. | 3 |
| 7 | 90113013044 | BANJO BOLT KIT | x |
| 8 | 90542001044 | BRAKE HOSE KIT ABS-FRONT CYL. | x |
| 9 | 90642004044 | BRAKE HOSE KIT ABS-FRONT CAL. | x |
| 10 | 93042020000 | SENSORRING ABS | 1 |
| 11 | 90110062000 | SPECIAL SCREW M8X25 SELF LOCK. | 6 |
| 12 | 90142125000 | ABS SENSOR | 2 |
| 13 | J028060166 | BOLT M6X16 | 2 |
| 14 | 90642001044 | BRAKE HOSE KIT ABS-REAR CAL. | x |
| 15 | 90542002044 | BRAKE HOSE KIT ABS-REAR CYL. | 1 |
| 16 | 90111051044 | BREAK LIGHT SWITCH REAR KIT | x |
| 17 | 90142021000 | SENSOR DISC REAR | 1 |
| 18 | 90142021001 | SCREW FOR ABS | 3 |
| 19 | 90113024000 | CLAMP FOR ABS HOSE | 2 |
| 20 | J025050183 | BOLT M5X18 | 2 |
| 21 | 90113035000 | CLAMP SENSOR CABLE HOLDING | 4 |
| 22 | 93813147000 | CLAMP FOR BRAKE HOSE | 1 |
| 23 | 90108015020 | WASHER | 3 |
| 24 | 93813035000 | CLAMP SENSOR CABLE | 4 |

50168

* NEW PART X ON DEMAND

WWW.KTM.COM



KTM Sportmotorcycle GmbH
5230 Mattighofen, Austria
www.ktm.com



KTM_POWERPARTS

KTM_POWERWEAR

KTM_ORIGINAL SPARE PARTS



F5003S1EN

Art. Nr.: F5003S1EN 18. Dez 2018