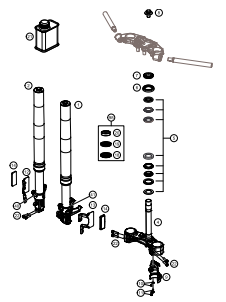
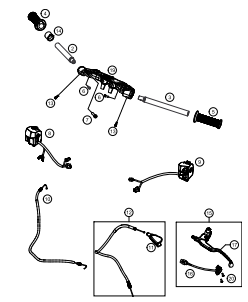
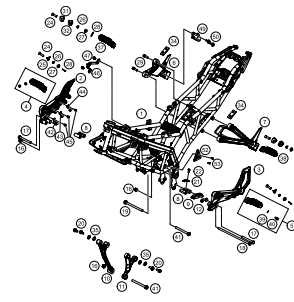
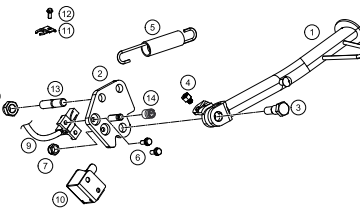
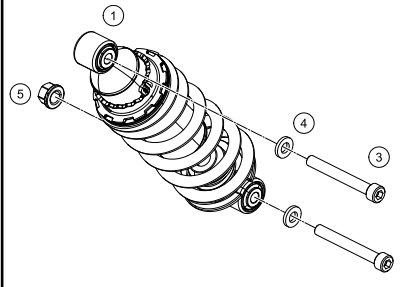
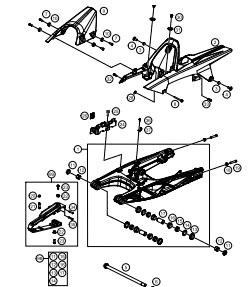
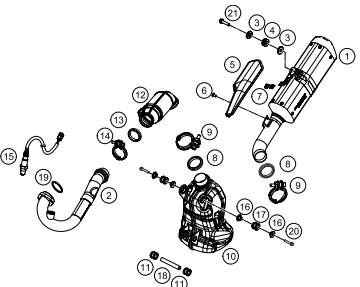
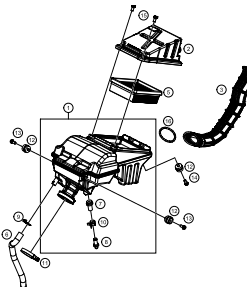
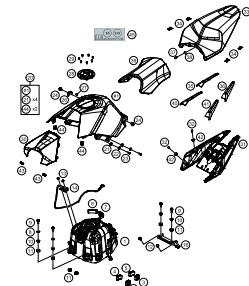
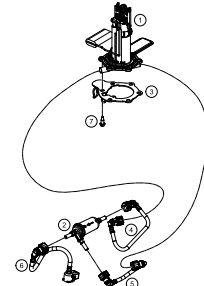
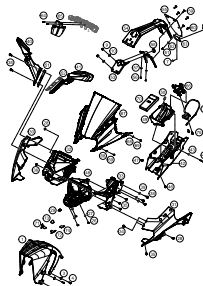
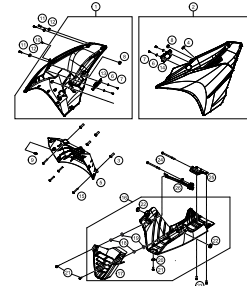
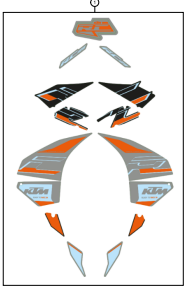
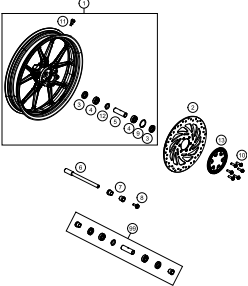
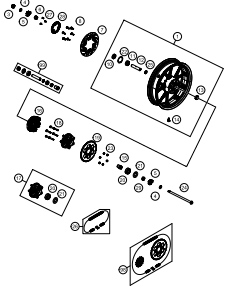
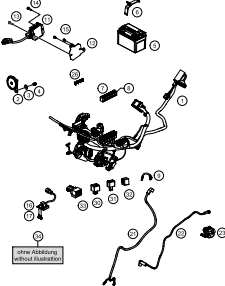
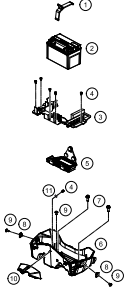
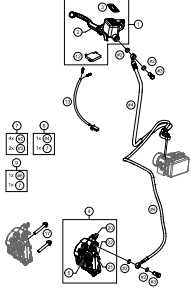
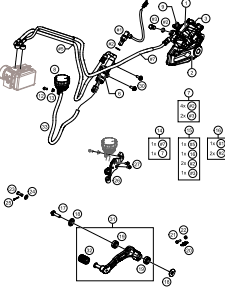
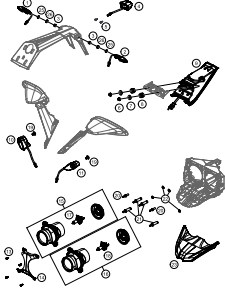
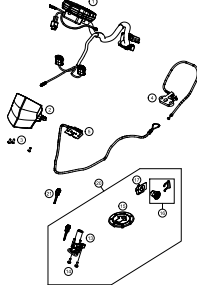
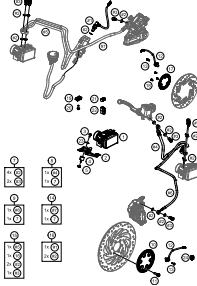


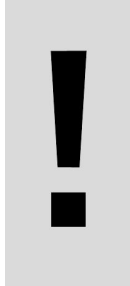
RC 125, grey 2020 EU 2020

ART.-NR.: F5003T1EN



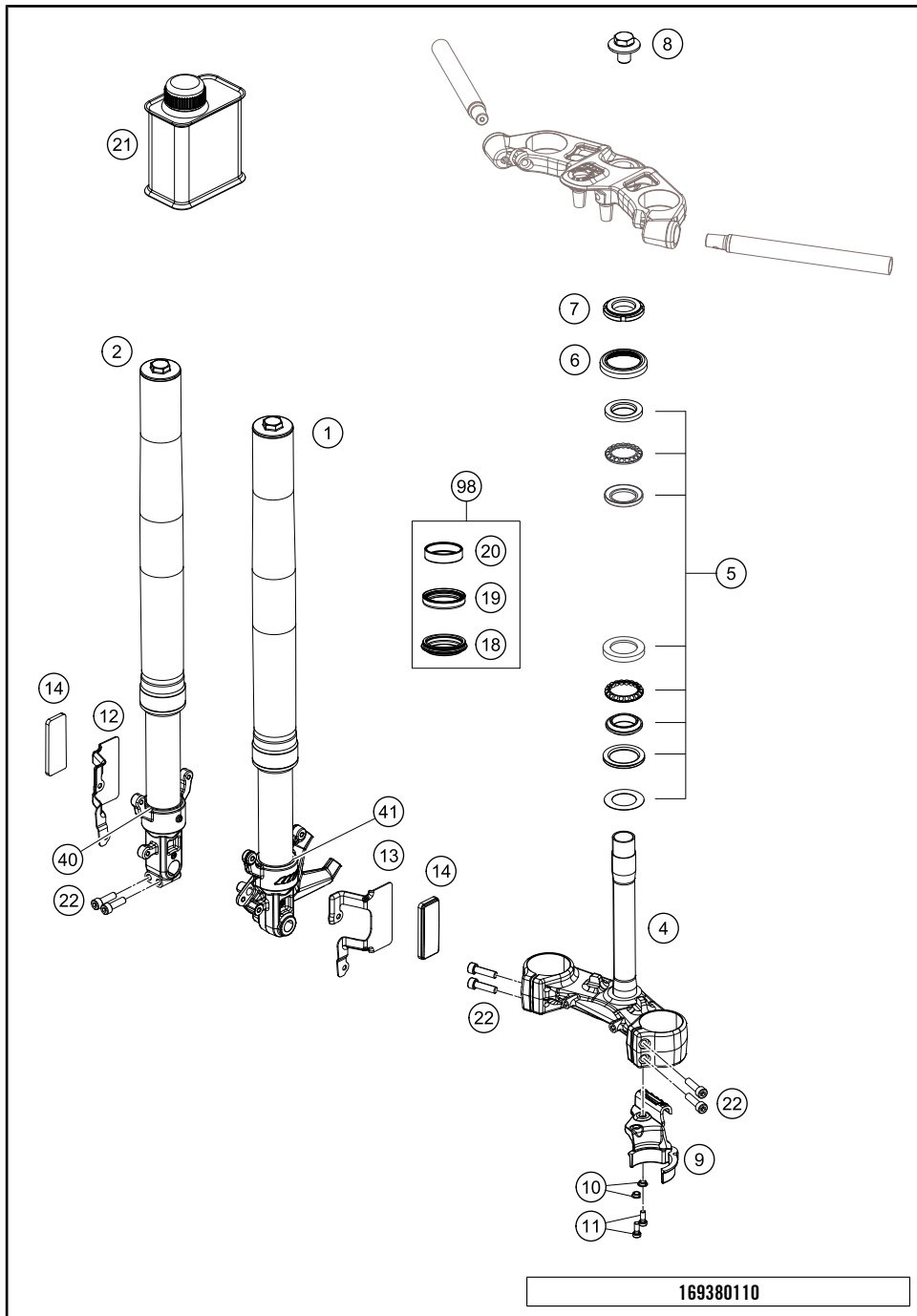
<p>FRONT FORK, TRIPLE CLAMP</p>  <p style="text-align: right;">4</p>	<p>HANDLEBAR, CONTROLS</p>  <p style="text-align: right;">5</p>	<p>FRAME</p>  <p style="text-align: right;">6</p>	<p>SIDE / CENTER STAND</p>  <p style="text-align: right;">8</p>
<p>SHOCK ABSORBER</p>  <p style="text-align: right;">9</p>	<p>SWING ARM</p>  <p style="text-align: right;">10</p>	<p>EXHAUST SYSTEM</p>  <p style="text-align: right;">11</p>	<p>AIR FILTER</p>  <p style="text-align: right;">12</p>
<p>TANK, SEAT</p>  <p style="text-align: right;">13</p>	<p>FUEL PUMP</p>  <p style="text-align: right;">15</p>	<p>MASK, FENDERS</p>  <p style="text-align: right;">16</p>	<p>COVER</p>  <p style="text-align: right;">18</p>

<p>DECAL</p>  <p>19</p>	<p>FRONT WHEEL</p>  <p>20</p>	<p>REAR WHEEL</p>  <p>21</p>	<p>WIRING HARNESS</p>  <p>22</p>
<p>BATTERY</p>  <p>23</p>	<p>FRONT BRAKE CALIPER</p>  <p>24</p>	<p>REAR BRAKE CALIPER</p>  <p>25</p>	<p>LIGHTING SYSTEM</p>  <p>26</p>
<p>INSTRUMENTS / LOCK SYSTEM</p>  <p>27</p>	<p>ANTIBLOCK SYSTEM ABS</p>  <p>28</p>		

		<p>All information contained is without obligation. KTM Sportmotorcycle GmbH particularly reserves the right to modify any equipment, technical specifications, prices, colors, shapes, materials, services, service work, constructions, equipment and the like so as to adapt them to local conditions or to cancel any of the above items, all without previous announcement and without giving reasons. KTM may stop manufacturing certain models without previous notice. KTM shall not be held liable for any deviations of availability and/or ability to deliver, illustrations, descriptions, printing and/or other errors. The illustrated models partly contain extra equipment, which is not applied to standard models.</p> <p>© by KTM Sportmotorcycle GmbH, Mattighofen AUSTRIA; All rights reserved; Reprint, also in extracts, with written allowance of KTM Sportmotorcycle GmbH, Mattighofen only.</p>	

FRONT FORK, TRIPLE CLAMP

RC 125, grey 2020 EU 2020



POS	PARTNUMBER	PARTNAME	PIECE
1	93501001300	Assembly leg left	1
2	93501002300	Assembly leg right	1
4	9010103210033	Lower triple clamp cpl.	1
5	90101080044	STEERING HEAD BEARING-KIT	x
6	90101086000	protection cap	1
7	90101036000	adjusting ring steering head	1
8	90501044000	steering head screw	1
9	90113055000	HOSE CLAMP	1
10	90113055010	sleeve for hose clamp	2
11	J021060156	AH SCREW M6X15 10.9	2
12	90512181000	BRACKET SIDE REFLECTOR FR R/S	1
13	90512081000	BRACKET SIDE REFLECTOR FR L/S	1
14	90512082000	SIDE REFLECTOR FRONT	2
18	43570624	Dirt scarper SKF 43mm black	2
19	43570623	Shaft seal SKF 43x52,9x11,4 black	2
20	43570618	Guide bushing 42x44x20	2
21	48601166S1	FORK OIL SAE4 5L	1
22	90501045000	AH SCREW M8X1.25X30	6
40	93501007000	Axle clamp and fork pipe right	1
41	93501006000	Axle clamp and fork pipe left	1
98	90101000010	REP. KIT FORK KPL.	x

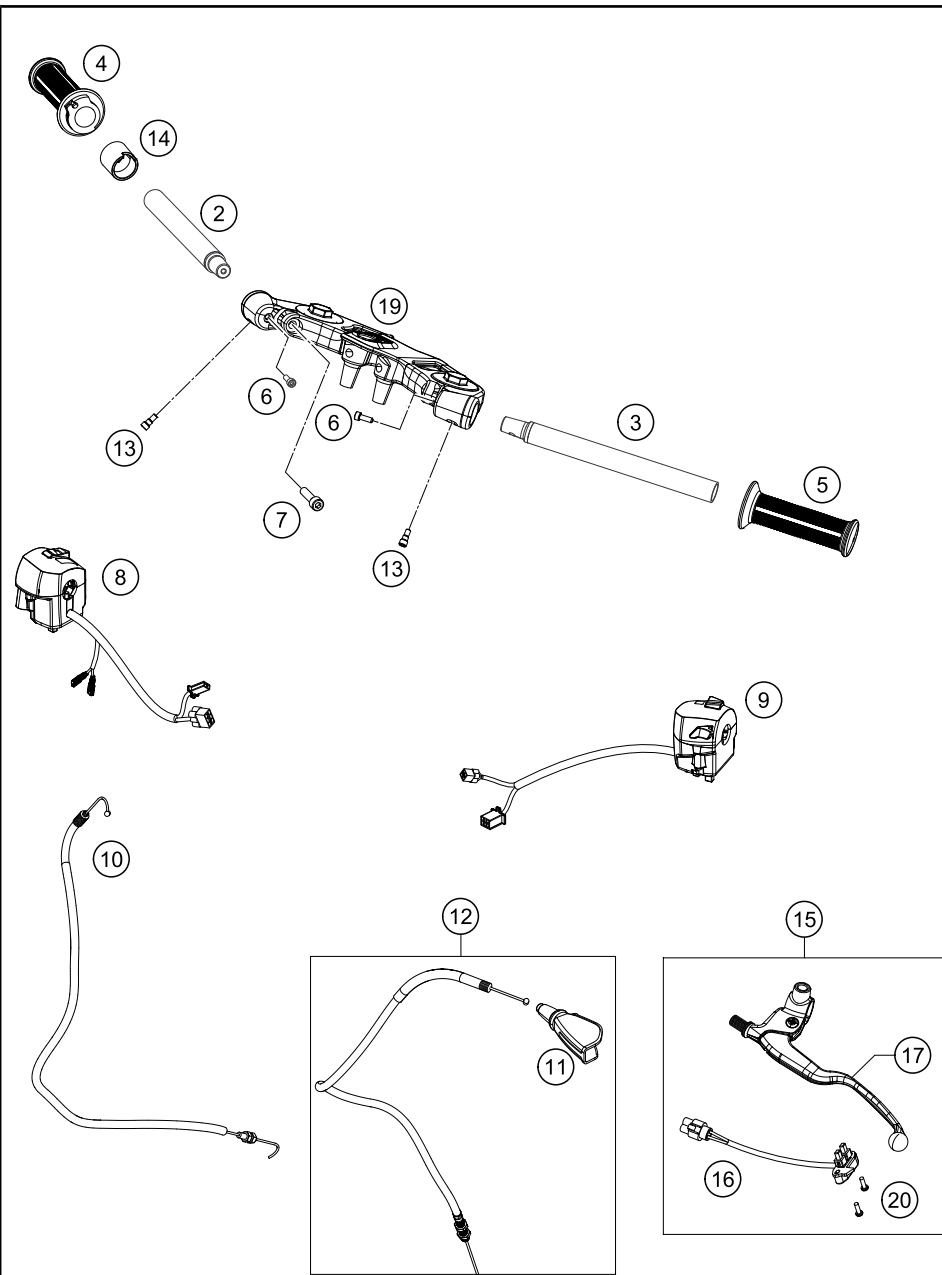
169380110

18795

* NEW PART X ON DEMAND

HANDLEBAR, CONTROLS

RC 125, grey 2020 EU 2020



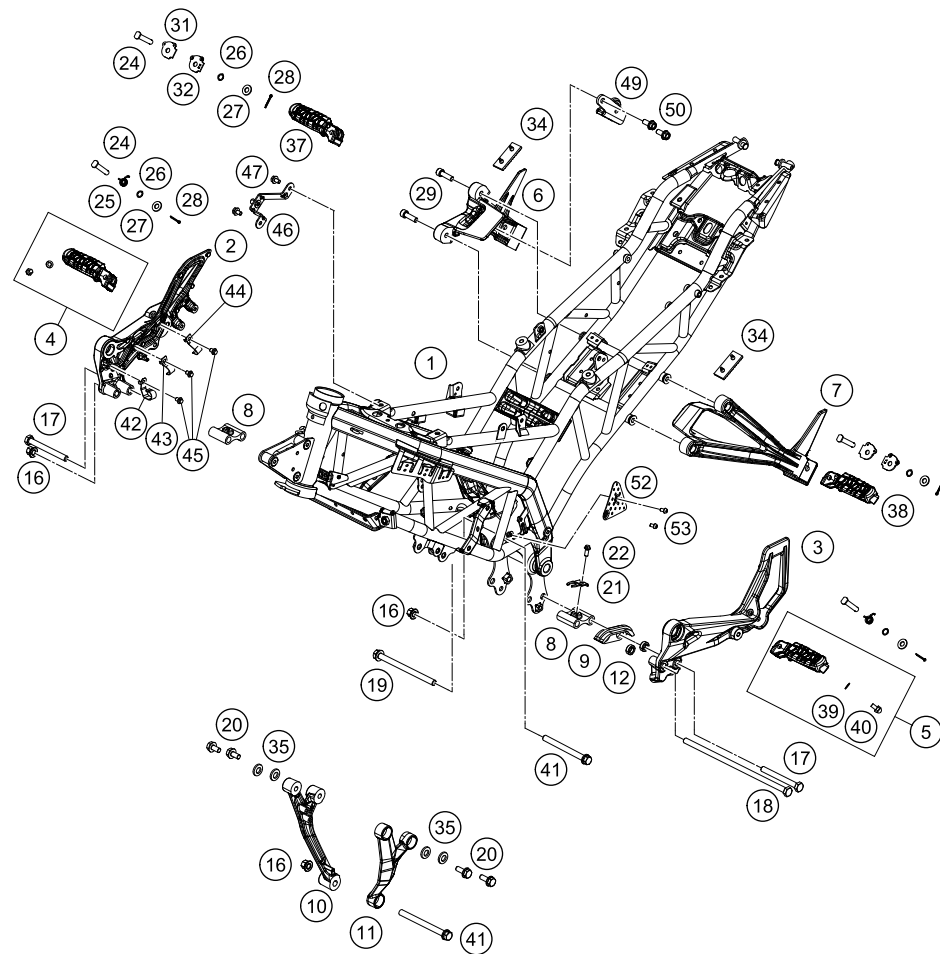
POS	PARTNUMBER	PARTNAME	PIECE
2	93802001100	HANDLEBAR R/S	1
3	93802001000	HANDLEBAR L/S	1
4	90102010100	THROTTLE GRIP	1
5	90502039000	FIXED GRIP	1
6	90511006100	BOLT SOCKET M6X1X14	2
7	90501045000	AH SCREW M8X1.25X30	2
8	93011074000	Handlebar switch right	1
9	90511070000	light switch	1
10	93502091100	Throttle cable	1
11	90102016000	PROTECTION CAP THROTTLE CABLE	1
12	93002090000	Clutch cable	1
13	90511006000	SPECIAL SCREW M5x0,8X13	2
14	93011074010	Distance holder handlebar switch	1
15	93602031000	Articulated clutch cover	1
16	90511049000	clutch switch	1
17	93002031000	Clutch lever - NON Adjustable	1
19	90501034135	Top triple clamp	1
20	90232014002	Screw pan cross M3x0.5	2

179050210

18800

* NEW PART

X ON DEMAND



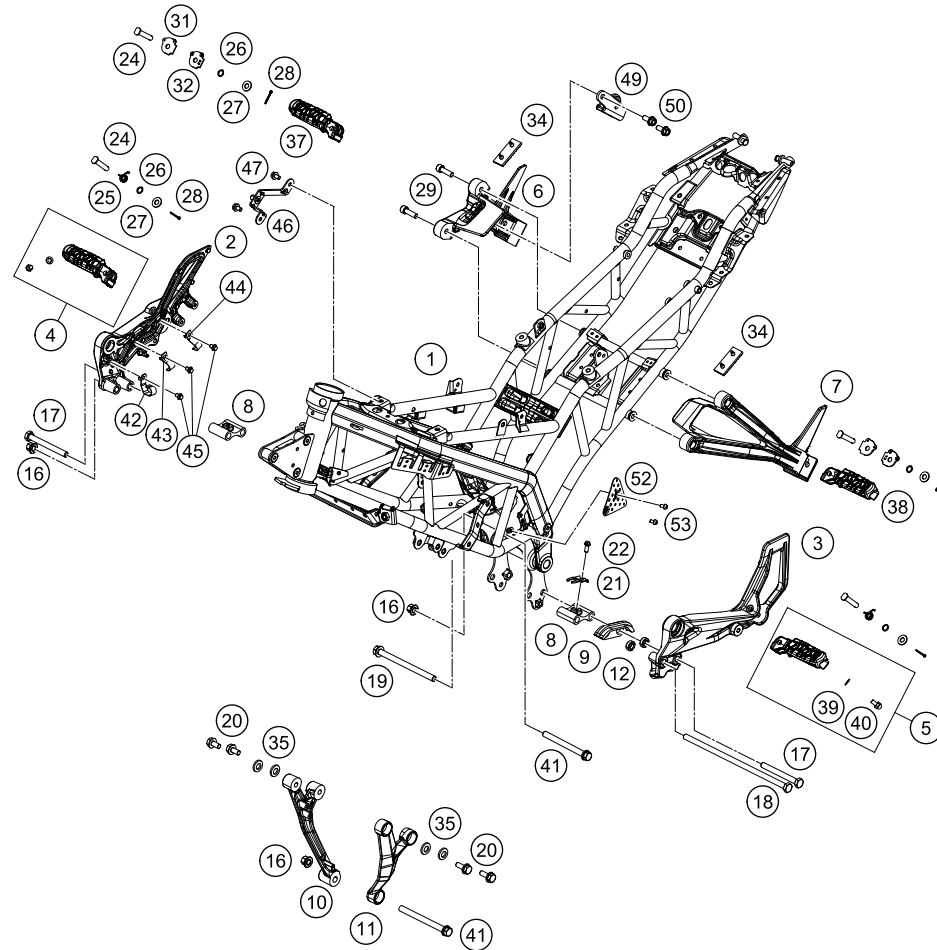
189050310

POS	PARTNUMBER	PARTNAME	PIECE
1	9350300130030	Frame black brilliant	1
2	90503039000	FOOTREST BRACKET FRONT R/S	1
3	90503038000	FOOTREST BRACKET FRONT L/S	1
4	93003141033	Front footpeg compl. right	x
5	93003140033	Front footpeg compl. left	x
6	90503049000	FOOTREST BRACKET REAR R/S	1
7	90503048000	FOOTREST BRACKET REAR L/S	1
8	90103038001	footrest support holder, front	2
9	90104070000	chainguide	1
10	93003006000	Engine brace right	1
11	93003005000	Engine brace left 125/200	1
12	90104066010	spacer chainguide	2
16	90103038002	FLANGED NUT M10X1,25 WS14	3
17	J025100926	HH COLLAR SCREW M10X1,25X92	2
18	J025102656	HH COLLAR SCREW M10X1,25X265	1
19	J027081053	HH COLLAR SCREW M8X105 SW12	1
20	J912080256	ISK-Screw M8x25	4
21	90111045050	CABLE BRACKET	1
22	90103032000	FLANGED BOLT M6X14	1
24	90503045000	BOLT FOR FOOTREST	4
25	93003042000	Footpeg spring	2
26	J770009015	O-RING 9X1,5	4
27	90503048010	WASHER D=8,5	4
28	J094018250	PIN 25X1,8MM	4
29	90503098000	BOLT SOCKET M8X1.25XL	4
31	90503053000	LOCK PLATE LOWER	2
32	90503052000	LOCK PLATE UPPER	2
34	90503050000	RUBBER DAMPER FOR FOOTREST	2
35	J125080005	WASHER M8	4
37	93003151033	Rear footpeg compl. right	1
38	93003150033	Rear footpeg compl. left	1
39	90103040001	PLAIN WASHER 6,4X12X1	2
40	J029060103S	CAP SCREW M6X10 SS	2
41	J025101103	HH COLLAR SCREW M10X110 WS14	2
42	90113025000	BRAKE HOSE GUIDE FRONT	1
43	90513046000	BRACKET HOSE CLAMP 2	1
44	90513045000	BRACKET HOSE CLAMP 1	1
45	J025060083	HH COLLAR SCREW M6X8 SW8	3

51913

* NEW PART

X ON DEMAND



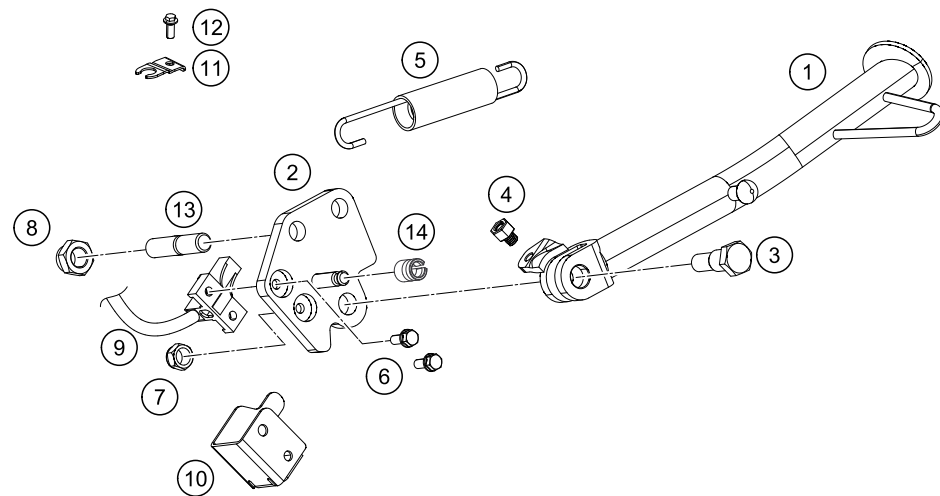
POS	PARTNUMBER	PARTNAME	PIECE
46	90503034000	BRACKET SIDECOVER	2
47	J025060103	HH COLLAR SCREW M6X10 SW10	4
49	93505088000	BRACKET SILENCER MTG	1
50	J025080183	BOLT FLANGED M8X18	2
52	93508041080	guard cat	1
53	J031060106	SCREW BUTTON HEAD-M5X0.8XL 8XB	2

189050310

51913

* NEW PART

X ON DEMAND



POS	PARTNUMBER	PARTNAME	PIECE
1	90103023000	SIDE STAND	1
2	90103026000	SIDE STAND BRACKET	1
3	90103027000	SCREW F. SIDE STAND	1
4	90103029000	MAGNET HOLDER	1
5	90103024000	SPRING FOR SIDE STAND	1
6	J011050133	HH COLLAR SCREW M5X13 SW8	2
7	J982101253	SELF L. NUT M10X1,25 H11 WS17	1
8	93003034000	nut U flang-M10X1.25XHT.8.5XBRT	2
9	93511045000	SWITCH SIDE STAND	1
10	90111045010	GUARD F. SIDE STAND SWITCH	1
11	90111045050	CABLE BRACKET	1
12	90103032000	FLANGED BOLT M6X14	1
13	93003027000	bolt stud-M10X1.25XL20XBRXPRECOAT	2
14	90111040100	Bushing	1

189050360

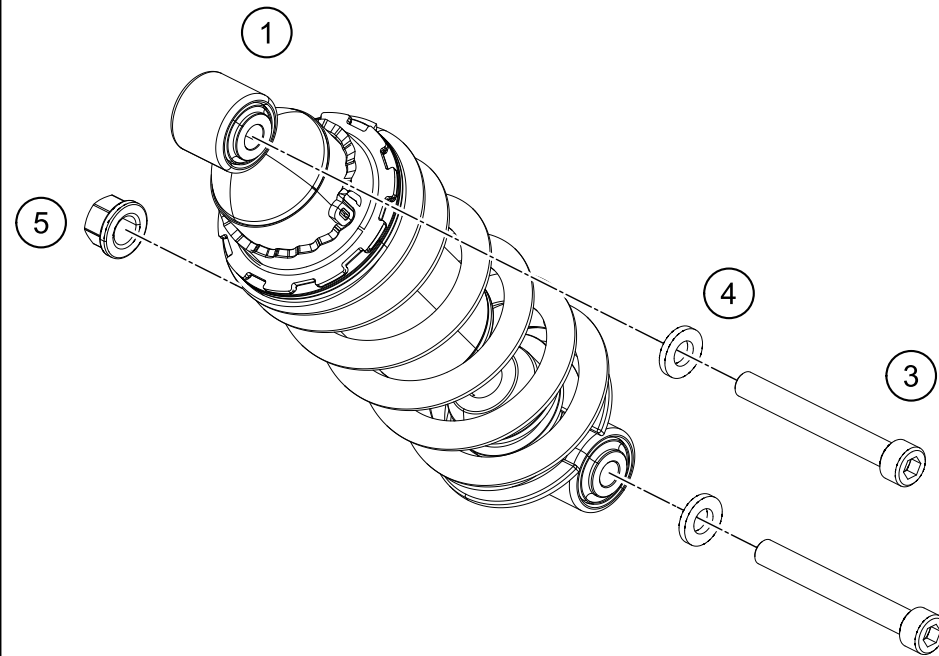
50192

* NEW PART

X ON DEMAND

SHOCK ABSORBER

RC 125, grey 2020 EU 2020



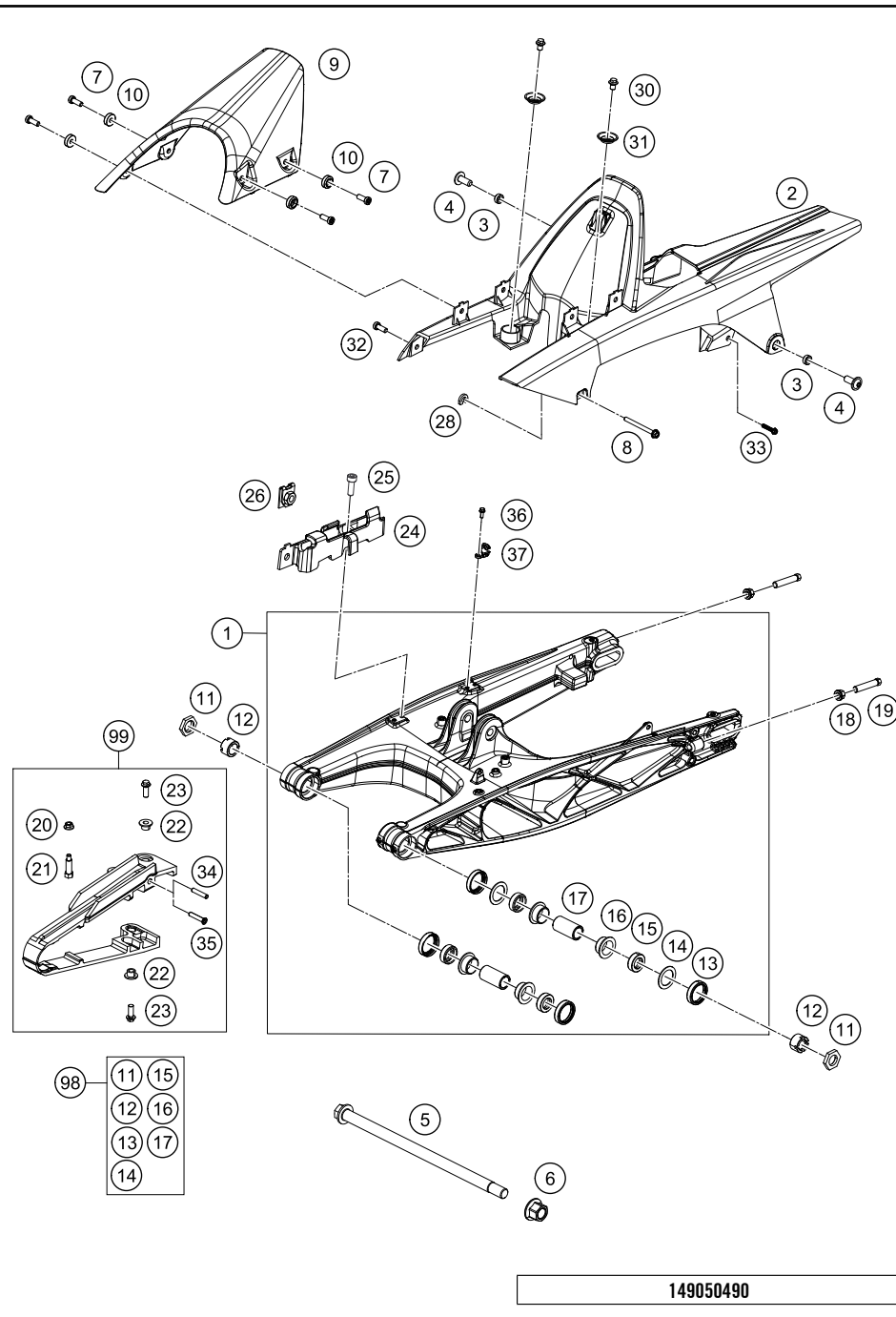
POS	PARTNUMBER	PARTNAME	PIECE
1	90504010100	SHOCK ABSORBER	1
3	J020100806	SHCS M10x1.25x80 - 10.9	2
4	90104010003	PLAIN WASHER 10,2X20X3MM	2
5	90104010002	flanged hex nut M10x1.25 WS13	1

149050410

15589

* NEW PART

X ON DEMAND

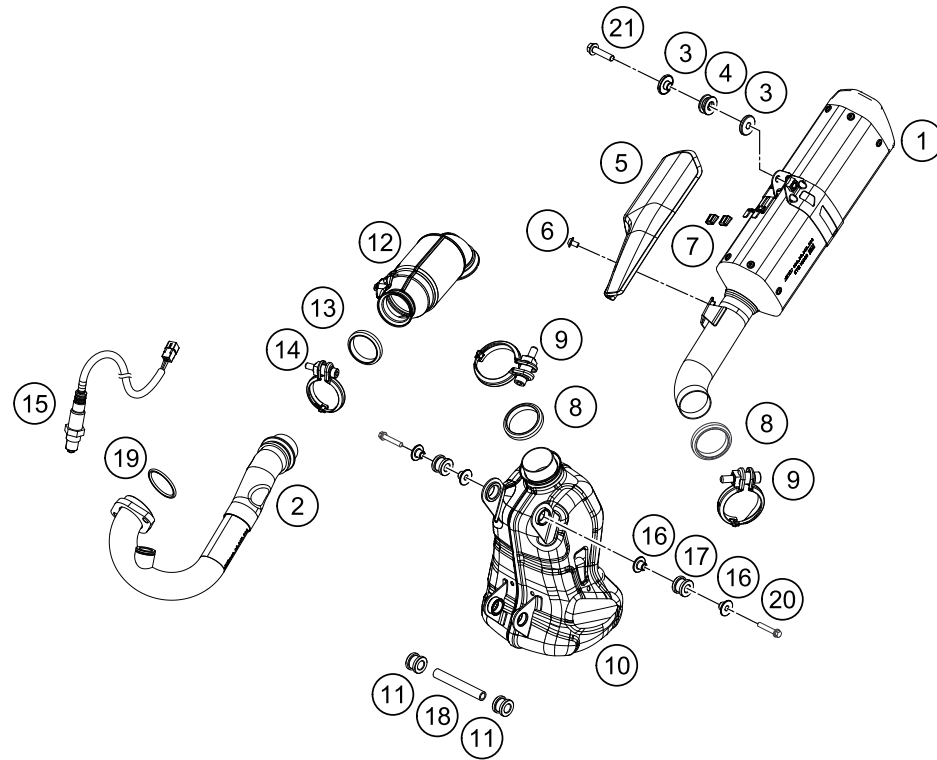


POS	PARTNUMBER	PARTNAME	PIECE
1	90504030044	SWING ARM CPL.	1
2	9050406000033	CHAIN COVER BLACK	1
3	90504060050	SLEEVE FOR CHAIN COVER	2
4	90508008001	AH SCREW M8X20	2
5	90104037000	Shaft swing arm L=299mm	1
6	90104038000	FLANGED NUT M14X1,5	1
7	90808043001	BOLT SOCKET M6X1XL	4
8	J025050504	BOLT FLANGED M5X0.8XL	1
9	9050405000033	HUGGER ENVELOPE BLACK	1
10	90508046000	SPECIAL WASHER	4
11	90104042000	hex thrust washer	2
12	90104046000	swingarm adjusting ring	2
13	90104034001	OIL SEAL RING 25X32X7	4
14	90104036000	Thrust washer 22.2x31.7x1	2
15	90104034000	cup for radial shaft seal	4
16	90104031000	lgus plain bearing	4
17	90104032000	sleeve bushing 15.1x20x38	2
18	90104010002	flanged hex nut M10x1.25 WS13	2
19	90104040000	BOLT HEX M10X1,25X50 WS10	2
20	90204060001	HH COLLAR NUT	1
21	90104040100	screw M5x0.8x30	1
22	90604062000	chain slider bushing	2
23	J025060169	HH COLLAR SCREW M6X16 SW8	2
24	90513147000	BRAKE HOSE GUIDE	1
25	J912050151	AH SCREW M5X14 BLACK	1
26	90103097000	clip nut	1
28	90504067000	WASHER CHAIN SLIDING GUARD	1
30	J025060083	HH COLLAR SCREW M6X8 SW8	2
31	90104067000	BUCKET	2
32	90808043000	SPECIAL SCREW M6X1X16	1
33	90504060001	SCREW SELF TAP D=6	1
34	90104070020	SLEEVE CHAIN GUARD	x
35	90904070020	SLEEVE CHAIN GUARD	x
36	J011050133	HH COLLAR SCREW M5X13 SW8	1
37	90113047000	brake hose guide	1
98	90104230010	SWINGARM REP. KIT 11-17	x
99	90104066310	CHAIN GUARD KIT 125/200	x

149050490

15594

* NEW PART X ON DEMAND



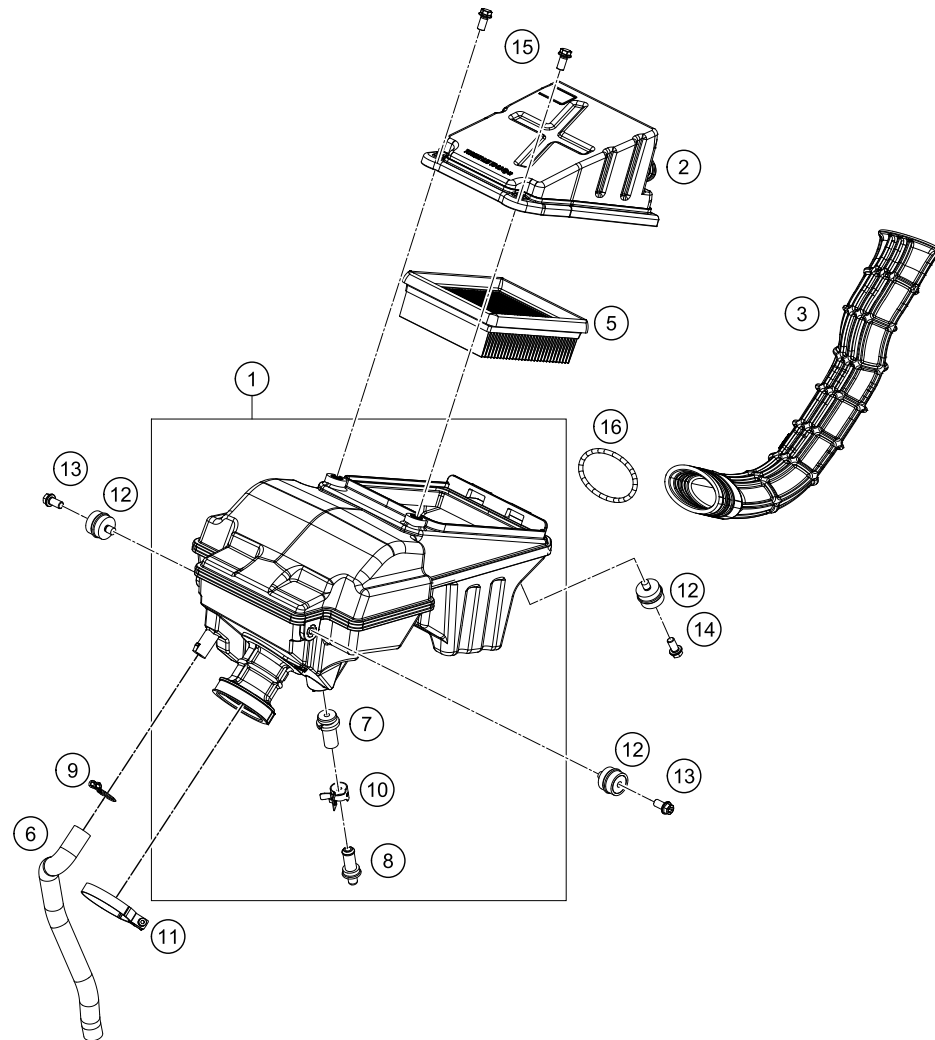
POS	PARTNUMBER	PARTNAME	PIECE
1	93805083000	MUFFLER CPL.	1
2	93505007000	Header complete	1
3	93805095000	BUSH MUFFLER	2
4	93805096000	DAMPER MUFFLER	1
5	93805011000	MUFFLER SHIELD	1
6	90808073000	SPECIAL SCREW M6X1X10	1
7	93805011003	GROMMET MUFFLER SHIELD	2
8	93805005100	GASKET PIPE C	2
9	93805058100	CLAMP DIA 60	2
10	93505050000	pre muffler	1
11	90105068100	damper, bottom	2
12	93505091033	Catalytic converter	1
13	93805005000	GASKET PIPE B	1
14	93805058000	CLAMP DIA 54	1
15	90141090000	oxygen sensor	1
16	90205086001	muffler mounting spacer bushing	4
17	90205068000	damper, bottom	2
18	90105084000	muffler mounting tube	1
19	90105004000	exhaust flange gasket	1
20	90105000002	BOLT SILENCER MTG	2
21	J025080353	BOLT FLANGED M8X35	1

189050510

51121

* NEW PART

X ON DEMAND



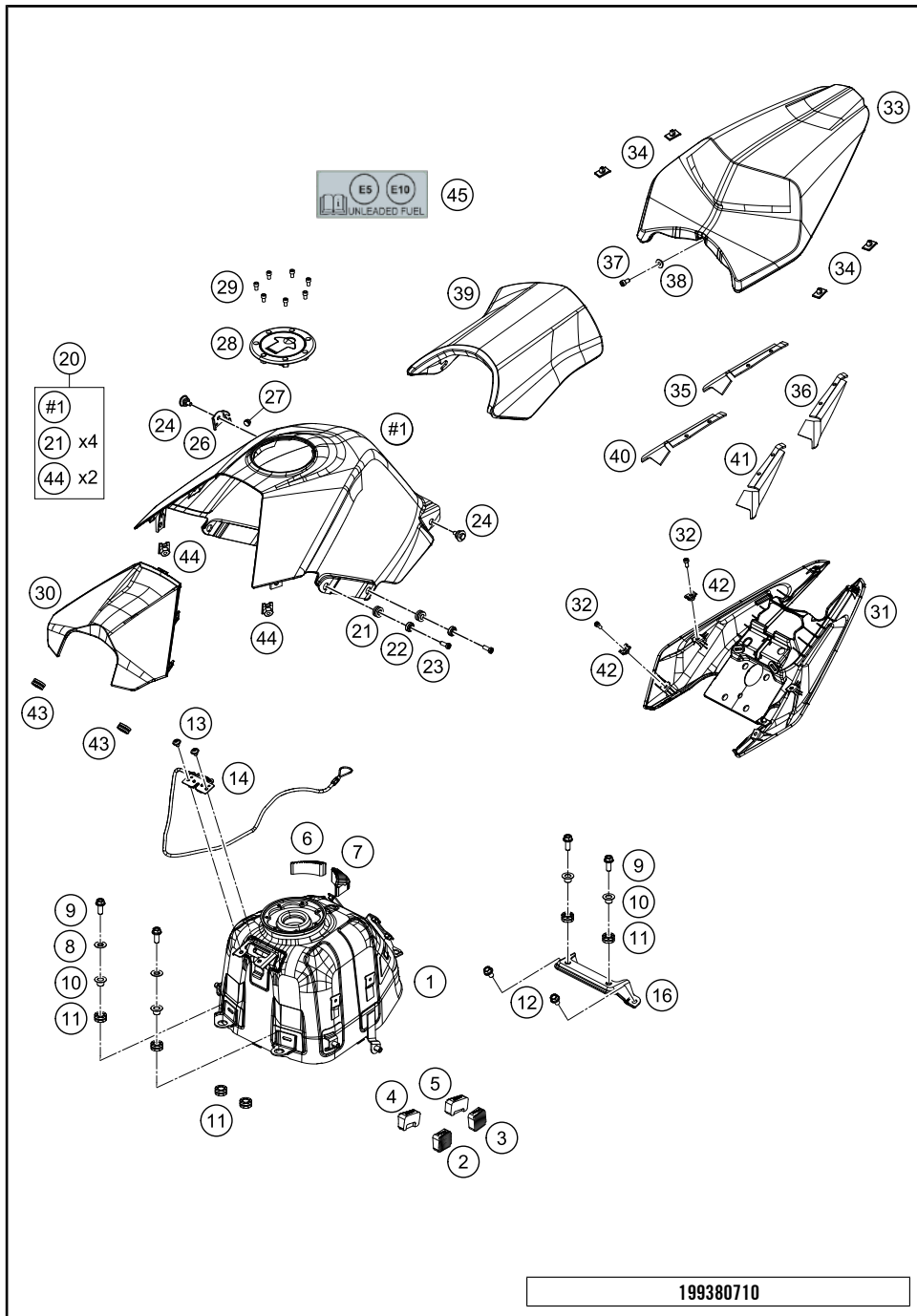
POS	PARTNUMBER	PARTNAME	PIECE
1	93506001044	Air filter cpl.	1
2	93506005033	Filter cover top cpl.	1
3	90506040000	AIR INTAKE	1
5	90106015000	AIRFILTER	1
6	93530087000	Engine vent hose	1
7	93515020000	hose cpl.	1
8	90106000001	PLUG DRAINAGE	1
9	90130087001	HOSE CLAMP	1
10	90106000004	HOSE CLAMP	1
11	90106027100	HOSE CLAMP	1
12	90106001007	SILENT BLOCK AIRFILTER	3
13	J025060086	HH COLLAR SCREW M6X8 SW10	3
14	J025060129	HH COLLAR SCREW M6X12	2
15	J025060120	HH COLLAR SCREW M6X12 SW8	2
16	90506028000	GARTER SPRING	2

179050610

18606

* NEW PART

X ON DEMAND

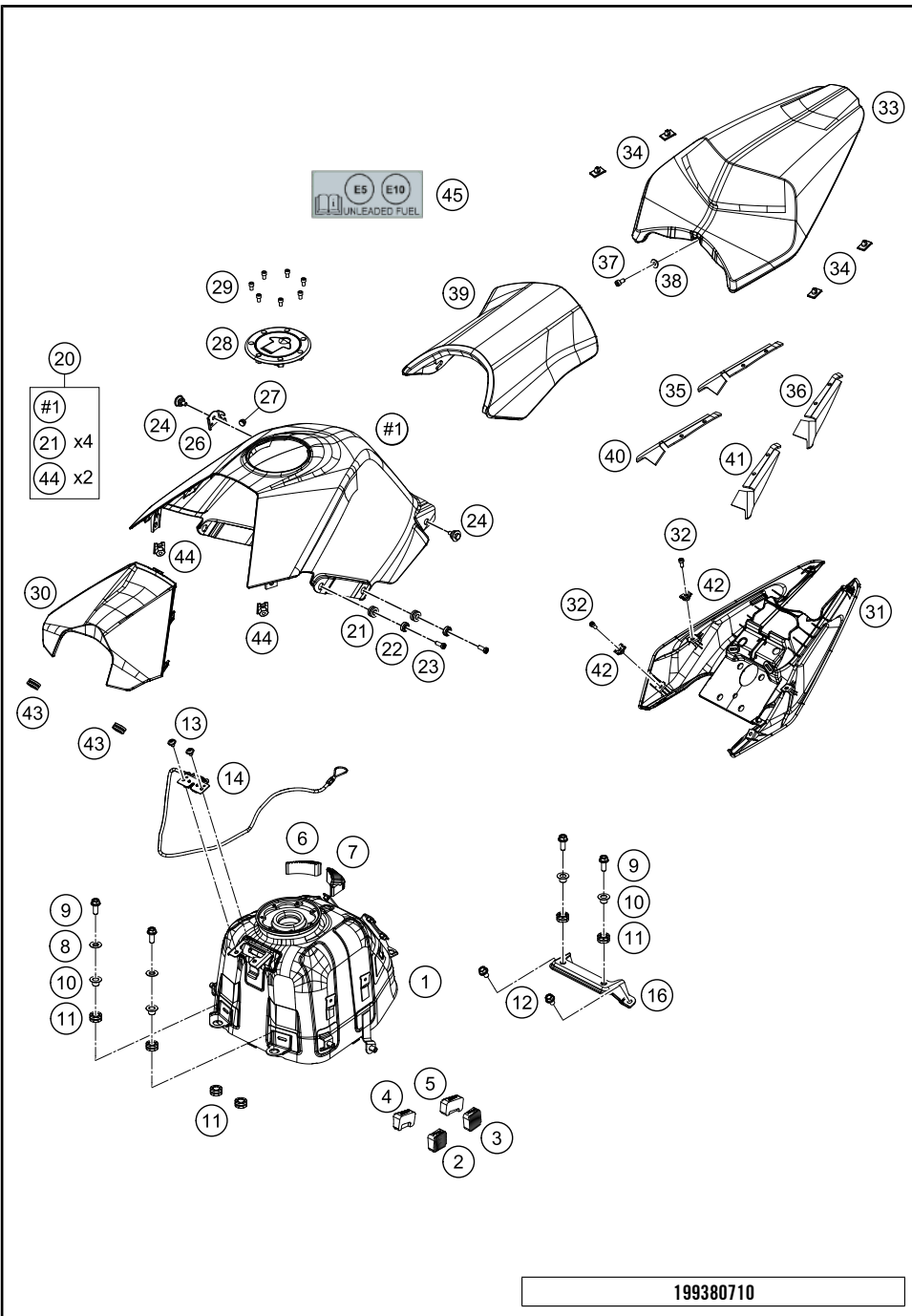


POS	PARTNUMBER	PARTNAME	PIECE
1	93507013100	Fuel tank	1
2	90507011040	TANK PAD FRONT L/S	1
3	90507011060	TANK PAD REAR L/S	1
4	90507011050	TANK PAD FRONT R/S	1
5	90507011070	TANK PAD REAR R/S	1
6	90507011020	TANK PAD TOP R/S	1
7	90507011010	TANK PAD TOP L/S	1
8	90511055001	SLEEVE BATTERY MTG CASE	2
9	J025080203	HH COLLAR SCREW M8X20 SW12	4
10	90507013005	SLEEVE TANK MOUNTING	4
11	90507013006	GROMMET TANK MOUNTING	6
12	J025080123	HH COLLAR SCREW M8X12 SW12	2
13	90508006004	SOCKET HEAD BOLT M6X1X8	2
14	90508025033	LOCK BATTERY CASE CPL.	1
16	90503071000	TANK MOUNTING REAR	1
20	xy	Dummy_SPC_Bajajteil Tankabdeckung orange	1
21	90507040001	RUBBER SLEEVE	4
22	90508045000	WASHER GFN	4
23	90808043001	BOLT SOCKET M6X1XL	4
24	90107040003	SPECIAL SCREW	2
26	90508025070	BRACKET CABLE LID LOCK	1
27	90141023003	GROMMET	1
28	90507008000	TANK CAP	1
29	J912050151	AH SCREW M5X14 BLACK	7
30	9050802500033	LID BATTERY BLACK	1
31	xy	Dummy_SPC_Bajajteil Heckunterschale grau	1
32	90508018001	SOCKET HEAD BOLT M5X12	4
33	90507049000	PILLION SEAT	1
34	90507047041	SEAT DUMPER SOZIUS SEAT	4
35	90507056000	PROTECTION SOZIUSSEAT TOP L/S	1
36	90507055000	PROTECTION SOZIUSSEAT TOP L/S	1
37	90507047001	AH SCREW M6X12	1
38	90508016060	COLLAR UNDER TRAY	1
39	93807040000	SEAT	1
40	90507058000	PROTECTION SOZIUSSEAT DOWN R/S	1
41	90507057000	PROTECTION SOZIUSSEAT DOWN L/S	1
42	90108050001	CLIP NUT M5	4

199380710

54310

* NEW PART X ON DEMAND



199380710

POS	PARTNUMBER	PARTNAME	PIECE
43	90508024050	GROMMET BATTERY BOX	2
44	90103097000	clip nut	1
45	21007098000	Sticker fuel labelling	1

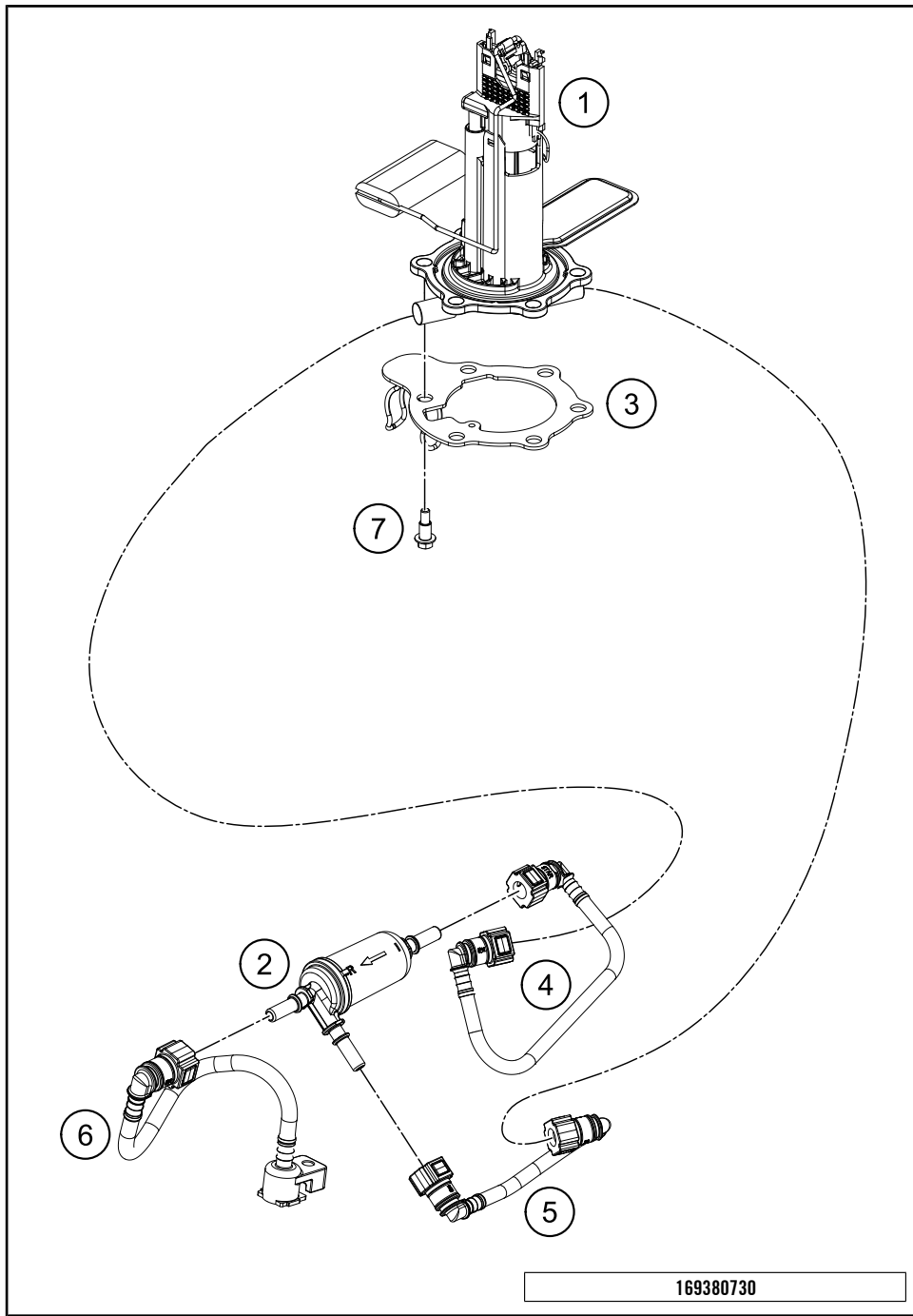
54310

* NEW PART

X ON DEMAND

FUEL PUMP

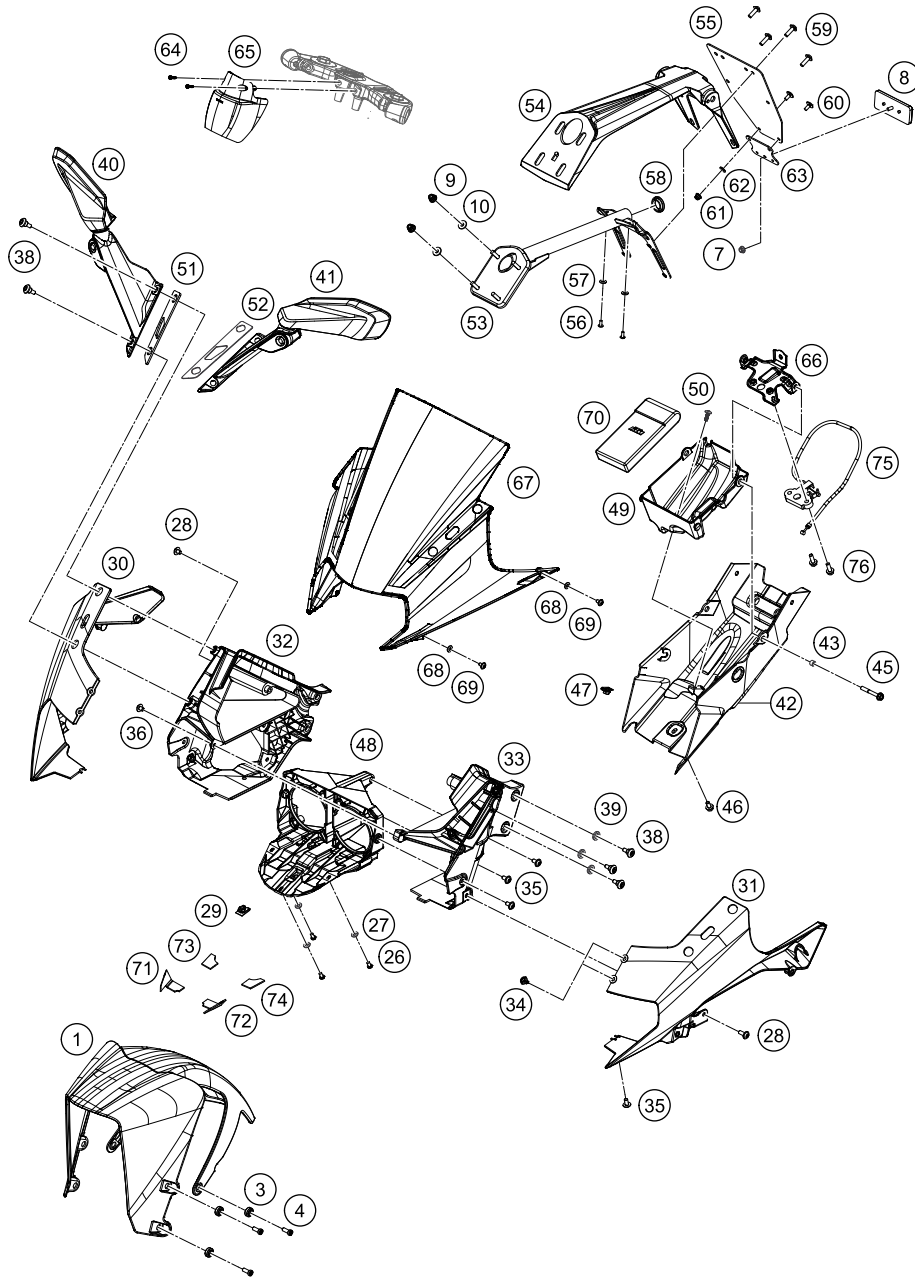
RC 125, grey 2020 EU 2020



POS	PARTNUMBER	PARTNAME	PIECE
1	93507088000	FUEL PUMP	1
2	93807018000	fuel filter	1
3	93807089140	PRESSURE PLATE FUEL PUMP	1
4	93807018010	HOSE PUMP TO FUEL FILTER	1
5	93807018100	HOSE FUEL FILTER TO REGULATOR	1
6	93541013044	Fuel line complete	1
7	J025060128	BOLT FLANGE- M6 X 1 X L12.8 XBRT XST	6

* NEW PART

X ON DEMAND



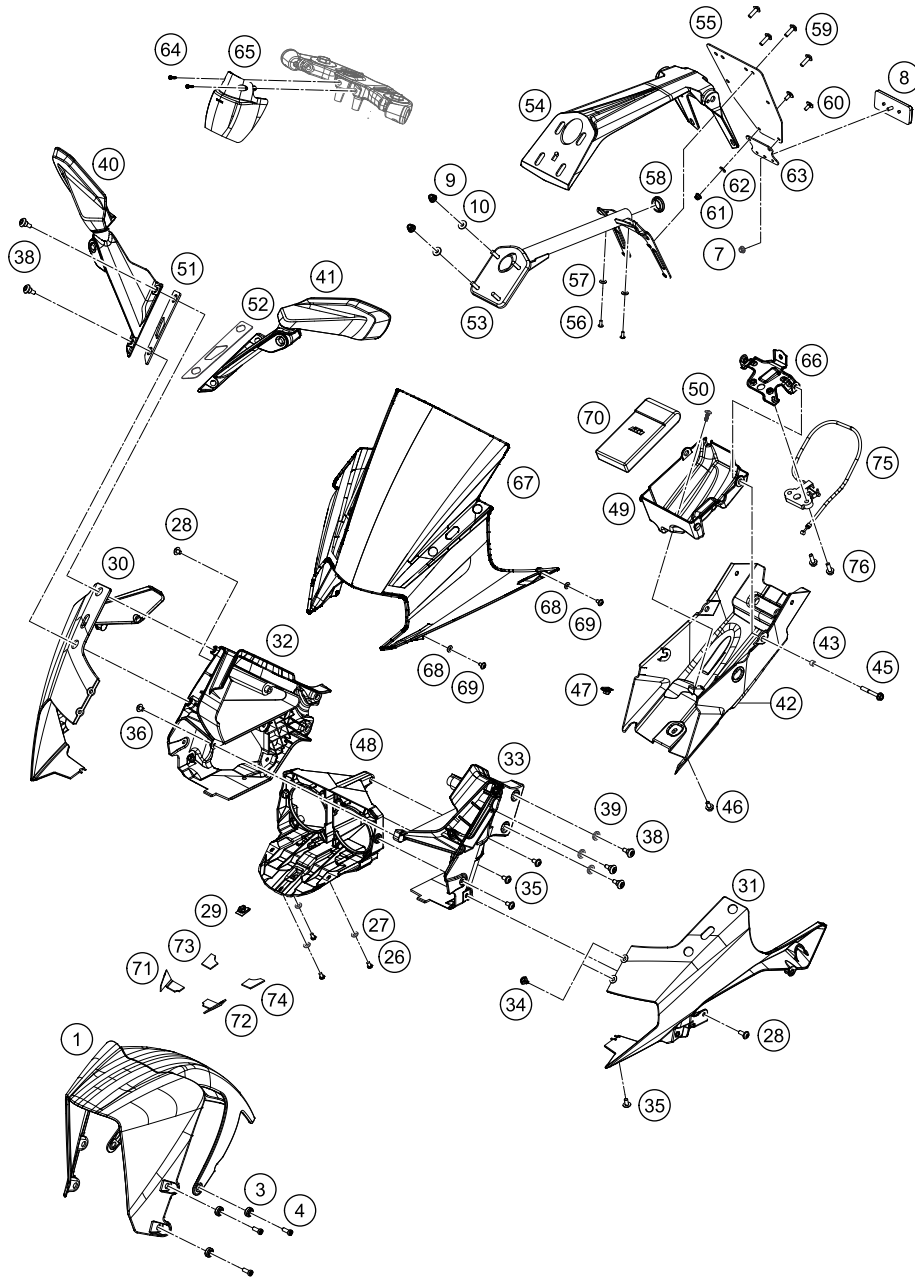
POS	PARTNUMBER	PARTNAME	PIECE
1	xy	Dummy_SPC_Bajajteil	1
3	90808010050	BUSHING FRONT FENDER	6
4	J912060203	BOLT SOCKET M6X20	6
7	J06923050053	Hex collar nut, M5	1
8	90514045000	REFLECTOR	1
9	90508016001	Nut nyloc flanged M6X1XHT.9.1	4
10	90508016060	COLLAR UNDER TRAY	4
26	J005050103	FLAT HEAD SCREW M5X10	3
27	90514007010	WASHER D=5,5 BLACK	3
28	90808043000	SPECIAL SCREW M6X1X16	3
29	90103097000	clip nut	3
30	9050800200033	FRONT MASK RH. BLACK	1
31	9050800100033	FRONT MASK LH. BLACK	1
32	90508004000	FAIRING STRUCTURE R/S	1
33	90508003000	FAIRING STRUCTURE L/S	1
34	90114062001	EXPANDING RIVET	2
35	90508006001	SOCKET HEAD BOLT M6X12	7
36	90508006004	SOCKET HEAD BOLT M6X1X8	1
38	90512042020	STEP BOLT M6	10
39	90508010010	WASHER 10X16X2,3	6
40	93812041033	MIRROR ARM R/S CPL.	1
41	93812040033	MIRROR ARM L/S CPL.	1
42	90508019000	UNDER TRAY FRONT	1
43	90508016050	SLEEVE UNDER TRAY	2
45	J025060454	HH COLLAR SCREW M6X45	2
46	J025060129	HH COLLAR SCREW M6X12	1
47	90108050001	CLIP NUT M5	1
48	90514013000	STRUCTURE HEAD LAMP	1
49	90508021000	UTILITY BOX	1
50	J031050163	CHEESE-HEAD SCREW M5X16	1
51	90808006000	RUBBER PAD R/S	1
52	90808005000	RUBBER PAD L/S	1
53	93508015000	Plate number structure assembly	1
54	90508015000	NUMBER PLATE HOLDER	1
55	90808016000	REAR FENDER EXT.	1
56	J981420133	SHEET MET.SCR. DIN 7981 4,2X13	2
57	J021040004	WASHER PLAIN SMALL 4,5X12X1	2
58	90508016010	GROMMET NUMBER PLATE STRUCTURE	1

169380810

53936

* NEW PART

X ON DEMAND



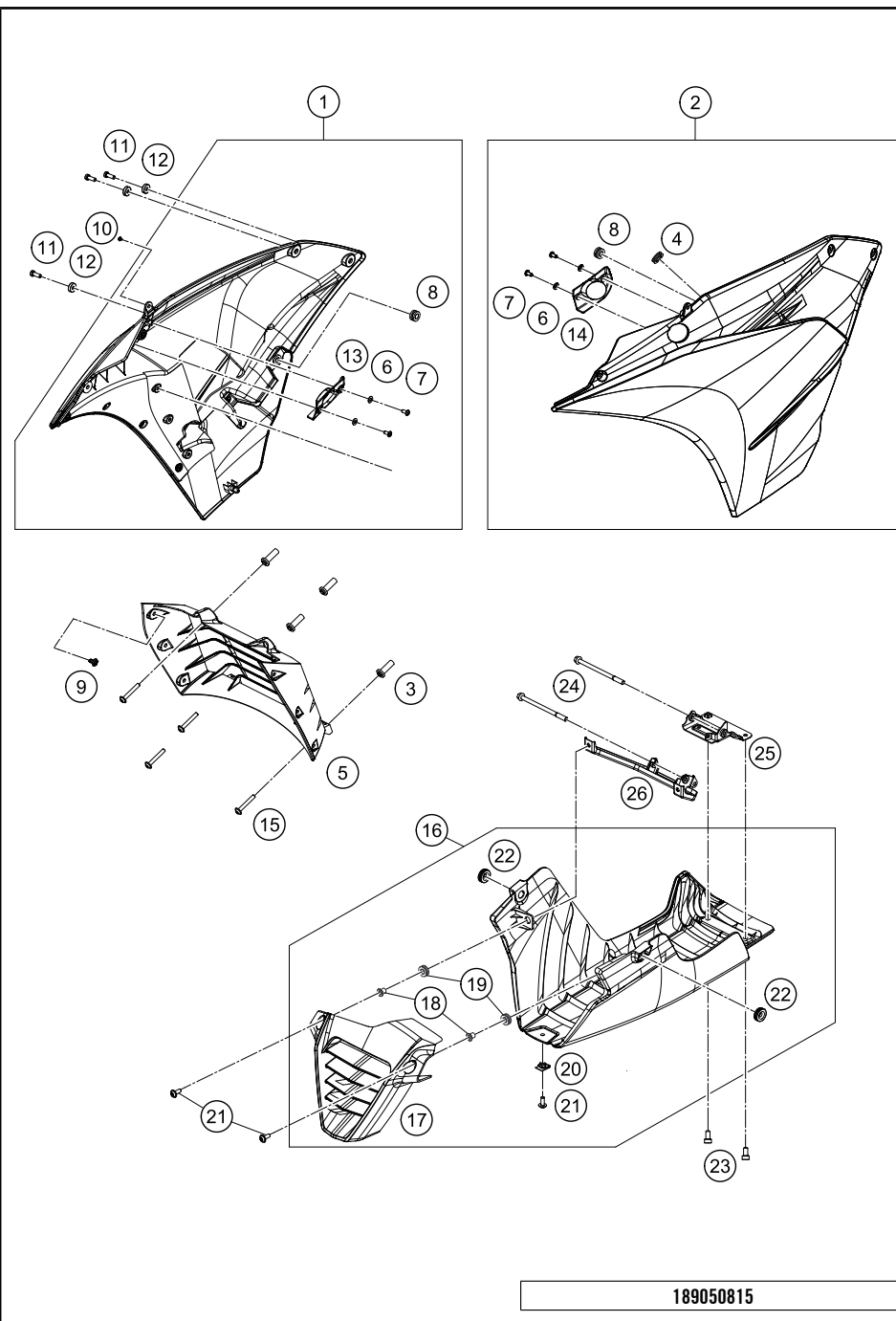
POS	PARTNUMBER	PARTNAME	PIECE
59	90508006003	AH SCREW M6X1X20	4
60	J005050123	FLAT HEAD SCREW M5X12 PH	2
61	90102031010	HEX NUT M5 AF8	2
62	90508015010	WASHER D=5,5	2
63	90514044000	REFLECTOR MOUNTING	1
64	90511064000	SCREW SELF TAPING D=5X18	2
65	90508023000	COVER IGNITION SWITCH	1
66	90503002070	BRIDGE BRACKET SEAT MTG	1
67	90508008000	VISOR	1
68	90808045000	SPECIAL WASHER	4
69	90808073000	SPECIAL SCREW M6X1X10	4
70	90529099000	TOOLKIT	1
71	90508042002	PAD RUBBER SIDEMASK RH FR	1
72	90508041002	PAD RUBBER SIDEMASK LH FR	1
73	90508042003	PAD RUBBER SIDEMASK RH RR	1
74	90508041003	PAD RUBBER SIDEMASK LH RR	1
75	90507050033	SEAT LOCK CPL.	1
76	J025060183	HH COLLAR SCREW M6X18 SW10	2

169380810

53936

* NEW PART

X ON DEMAND

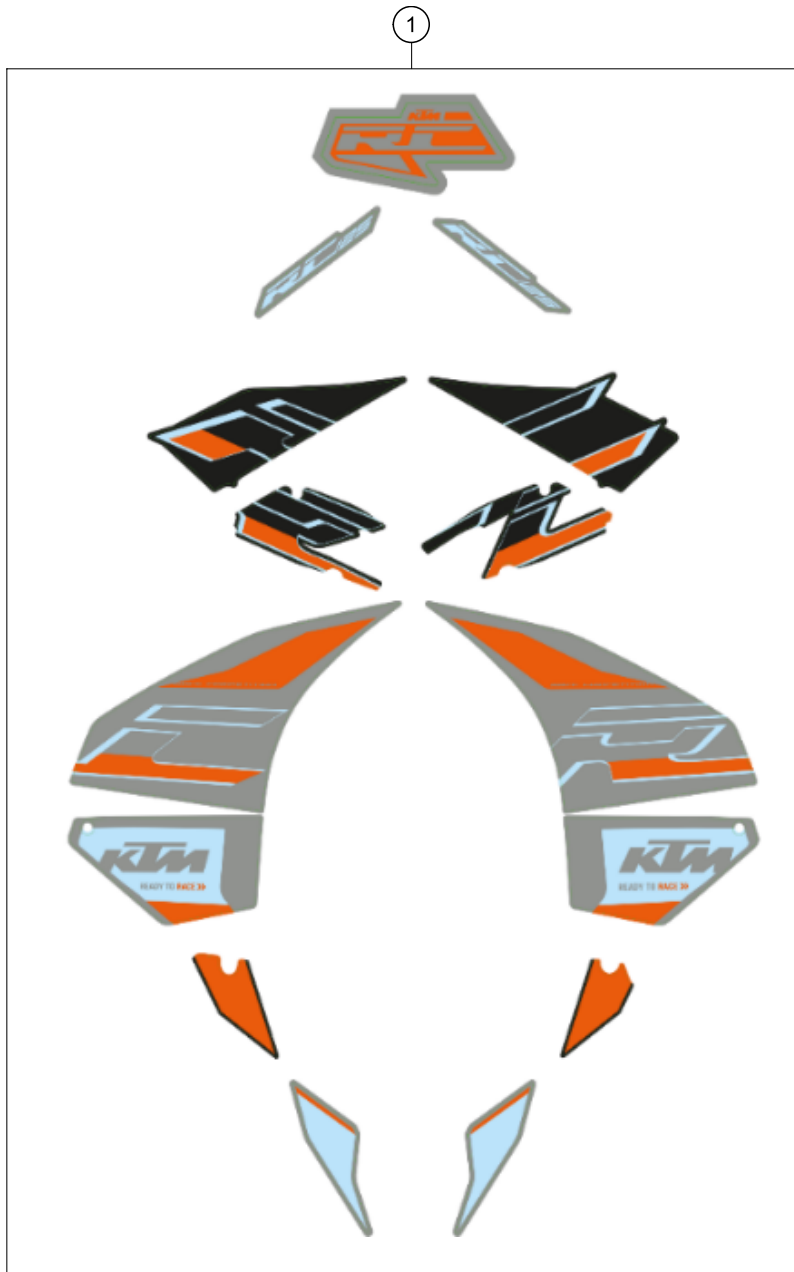


POS	PARTNUMBER	PARTNAME	PIECE
1	xy	Dummy_SPC_Bajajteil Seitenverkleidung rechts kpl.	1
2	xy	Dummy_SPC_Bajajteil Seitenverkleidung links kpl. s	1
3	90503007001	BUSH RADIATOR MTG	4
4	90508010060	GROMMET	1
5	90508011000	AIR INTAKE	1
6	90514007010	WASHER D=5,5 BLACK	4
7	90508041010	SCREW K50X12 T20	4
8	90507040001	RUBBER SLEEVE	4
9	90114062001	EXPANDING RIVET	6
10	90508006004	SOCKET HEAD BOLT M6X1X8	2
11	90808043001	BOLT SOCKET M6X1XL	6
12	90508045000	WASHER GFN	6
13	90508054050	FLASHER BLIND COVER R/S	1
14	90508054000	FLASHER BLIND COVER L/S	1
15	90508006002	AH SCREW M6X42	4
16	xy	Dummy_SPC_Bajajteil Bugspoiler kpl. grau	1
17	93808020100	BELLY PAN	1
18	93808027000	SLEEVE	2
19	93808026100	GROMMET BELLY PAN	2
20	90103097000	clip nut	1
21	90808043000	SPECIAL SCREW M6X1X16	3
22	90508055010	GROMMET SIDE FAIRING	2
23	90507047001	AH SCREW M6X12	2
24	J026060903	HH COLLAR SCREW M6X90	2
25	93508021000	Support	1
26	93508026000	Retaining bracket unter-engine fairing	1

54309

* NEW PART

X ON DEMAND



POS	PARTNUMBER	PARTNAME	PIECE
1	xy	Dummy_SPC_Bajajteil SCHEME DECAL	1

209350830

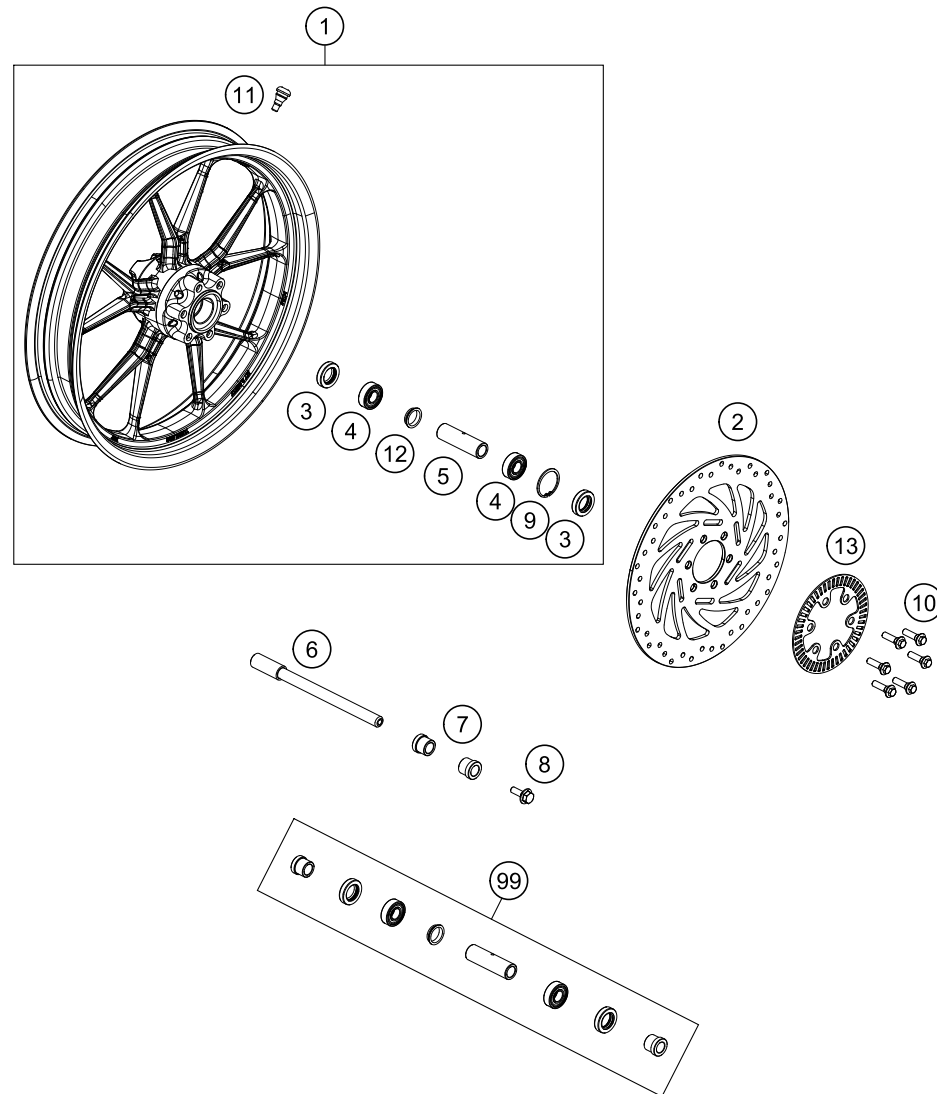
53797

* NEW PART

X ON DEMAND

FRONT WHEEL

RC 125, grey 2020 EU 2020



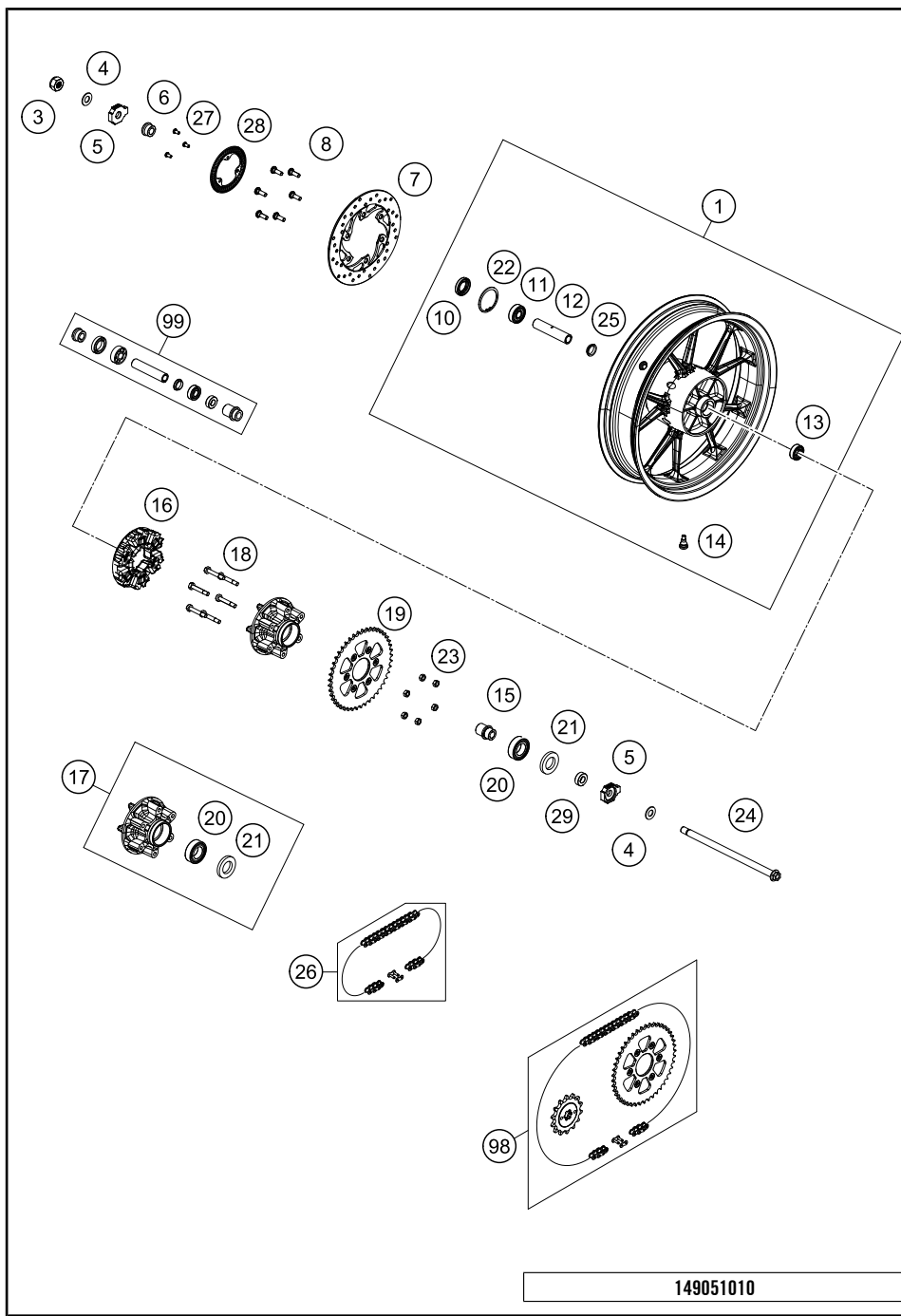
POS	PARTNUMBER	PARTNAME	PIECE
1	93009001044EB	Front wheel cpl. orange	1
2	93009060000	Brake disc front D=300MM	1
3	J760223508	SHAFT SEAL RING 22X35X8	2
4	J625062021	BALL BEARING 6202	2
5	90109011000	Spacer front wheel	1
6	93009081000	Front axle	1
7	90209083000	BEARING BUSHING	2
8	90109082000	flanged bolt M8	1
9	J472035150	Circlip 35X1,5	1
10	90110062000	SPECIAL SCREW M8X25 SELF LOCK.	6
11	90109076000	VALVE CPL.	1
12	90109011001	Fixation bearing spacer tube	1
13	93042020000	SENSORRING ABS	1
99	90109015000	FRONT WHEEL REP. KIT	x

149050910

18793

* NEW PART

X ON DEMAND

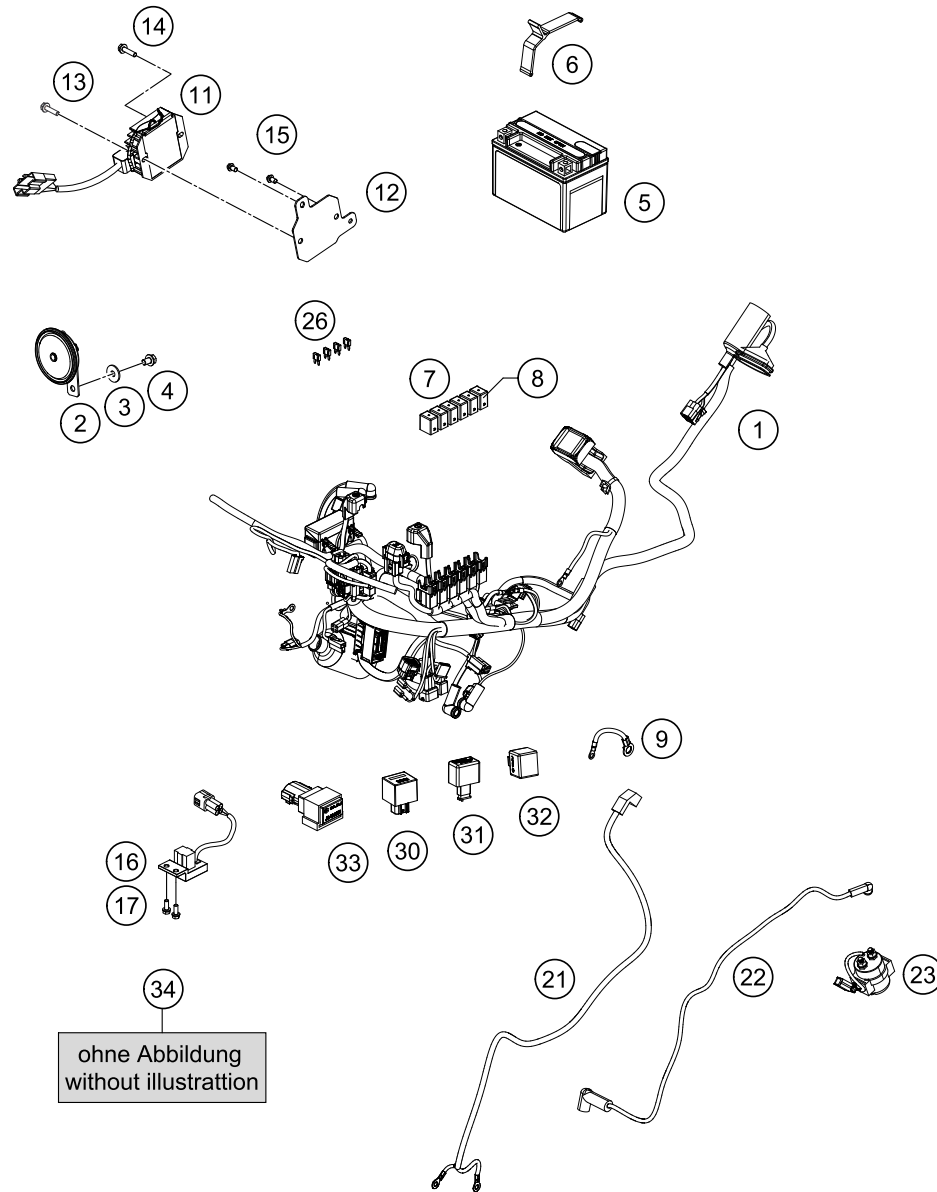


POS	PARTNUMBER	PARTNAME	PIECE
1	93010001044EB	Rear wheel cpl. orange	1
3	90210086000	wheel spindle nut, rear	1
4	90610087000	washer 15.2x30x2	2
5	90110084000	chain tension adjuster, right	2
6	90110013000	SPACER BUSHING REAR WHEEL R/S	1
7	90110060000	rear brake disk D=230mm	1
8	90110062000	SPECIAL SCREW M8X25 SELF LOCK.	6
10	J760264208	SHAFT SEAL RING 26X42X8	1
11	J625063020	BALL BEARING 6302	1
12	90110011000	BEARING SPACER TUBE REAR	1
13	J625062021	BALL BEARING 6202	1
14	90109076000	VALVE CPL.	1
15	90610054000	SPACER BUSHING KRT INSIDE	1
16	90110059100	DAMPER	1
17	90210050000	SPROCKET SUPPORT	1
18	90810052000	SPECIAL SCREW M8X48	6
19	90510051045	rear sprocket 45 teeth	1
20	J625062050	BALL BEARING 6205	1
21	J760295207	SHAFT SEAL RING 29X52X7	1
22	J472042170	CIRCLIP	1
23	J934080003	HEX NUT M8 SW13	6
24	90210085000	Axle rear KT03	1
25	90109011001	Fixation bearing spacer tube	1
26	78010167118	CHAIN DID 118 LINKS	1
27	90142021001	SCREW FOR ABS	3
28	90142021000	SENSOR DISC REAR	1
29	90110053000	SPACER CHAIN WHEEL SUPPORT	1
98	00050002040	DRIVETRAIN KIT 125DUKE 14T/45T	x
99	90110015100	REAR WHEEL REP. KIT 390 DUKE	x

149051010

18794

* NEW PART X ON DEMAND



POS	PARTNUMBER	PARTNAME	PIECE
1	93511275000	Main wiring harness	1
2	90111060100	HORN 82 DIA	1
3	90111060010	WASHER PLAIN 8,4X25X2	1
4	J025080123	HH COLLAR SCREW M8X12 SW12	1
5	90611053000	BATTERY 12V/8AH	1
6	90511054001	BRACKET RUBBER FOR BATTERY	1
7	90611057000	relay (interlock)	6
8	90611157000	RELAY (AUX1DIODE)	1
9	90211097000	earth wire	1
11	90511034000	voltage regulator	1
12	90511134010	BRACKET VOLTAGE REGULATOR	1
13	J025060303	FLANGED BOLT M6X30 WS10	1
14	J025060253	bolt flanged M6X25	1
15	J025060109	HH-COLLAR SCREW M6X10 SW8	2
16	93541088000	rollover sensor	1
17	J025060169	HH COLLAR SCREW M6X16 SW8	2
21	93511097000	EARTH CABLE	1
22	90811059000	STARTER CABLE	1
23	90111058000	STARTER RELAY	1
26	75011088005	FUSE MINI 5A	1
26	75011088010	FUSE 10A 07	3
26	75011088015	FUSE 15A 07	5
26	75011088030	FUSE 30A	1
30	93539010000	Start OK control unit	1
31	90511030000	indicator relay	1
32	93811043000	resistor	1
34	90838091000	Pigtail oil pressure switch	1
34	93042033000	Cable earth ABS	1

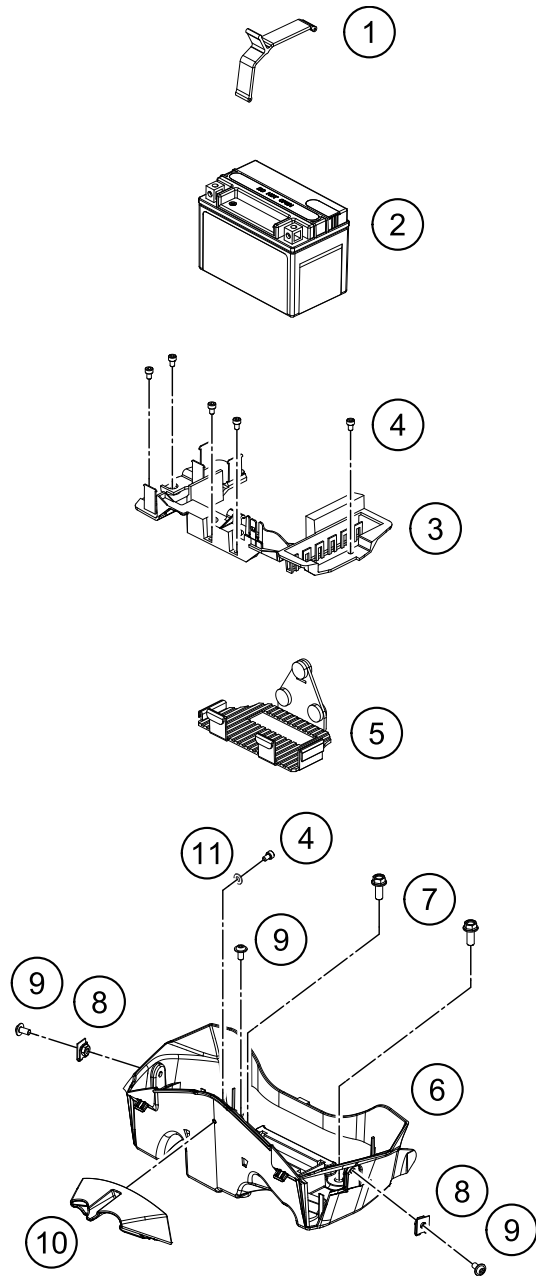
ohne Abbildung
without illustration

149051110

18796

* NEW PART

X ON DEMAND



POS	PARTNUMBER	PARTNAME	PIECE
1	90511054001	BRACKET RUBBER FOR BATTERY	1
2	90611053000	BATTERY 12V/8AH	1
3	90511055000	BATTERY BRACKET	1
4	90511054002	AH SCREW M5X8	6
5	90511054000	RUBBER BATTERY BRACKET	1
6	90508024000	BATTERY CASE	1
7	J025080203	HH COLLAR SCREW M8X20 SW12	2
8	90103097000	clip nut	2
9	90508006001	SOCKET HEAD BOLT M6X12	3
10	90508048000	PLUG COVER	1
11	J125050005	WASHER M5	1

169381130

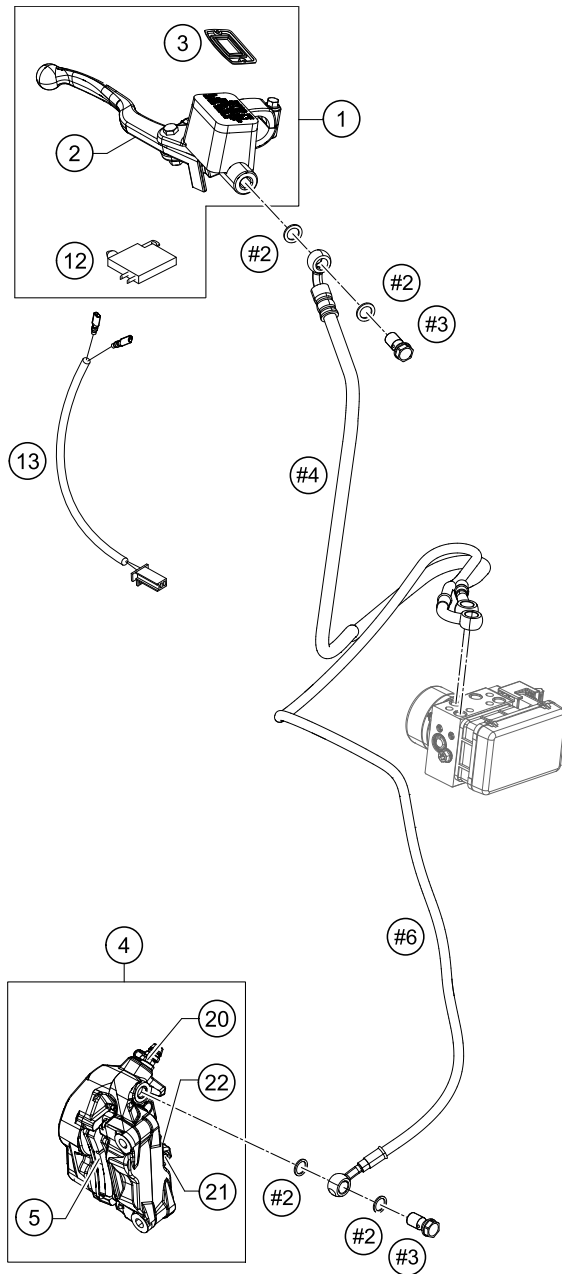
17790

* NEW PART

X ON DEMAND

FRONT BRAKE CALIPER

RC 125, grey 2020 EU 2020



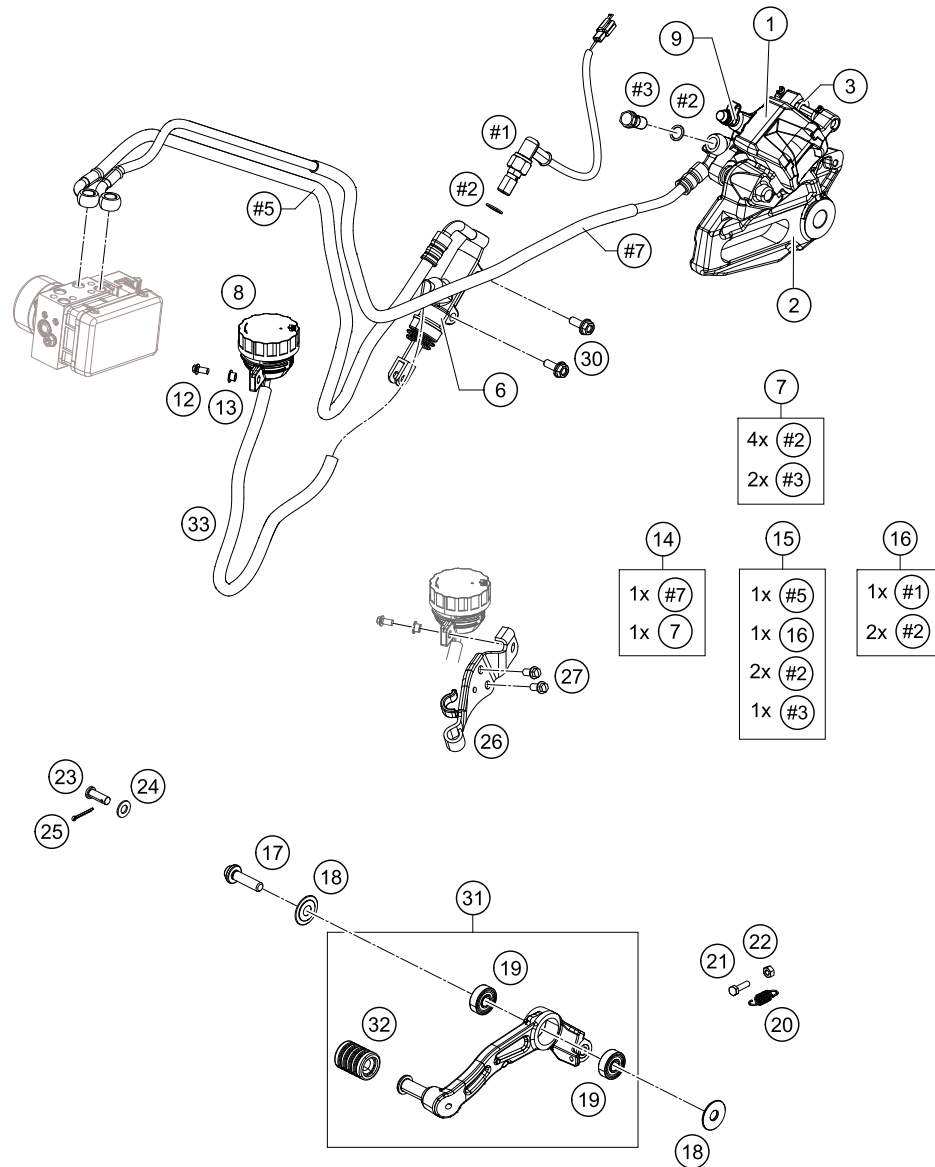
POS	PARTNUMBER	PARTNAME	PIECE
1	93513001100	Hand brake cylinder with lever	1
2	93013002000	Hand brake lever loose	1
3	90113001007	MEMBRANE	1
4	90113015000	BRAKE CALIPER RADIAL	1
5	93813030044	KIT FRONT BRAKE PAD WITH SHIM	1
7	90113013044	BANJO BOLT KIT	x
8	90542001044	BRAKE HOSE KIT ABS-FRONT CYL.	x
9	90642004044	BRAKE HOSE KIT ABS-FRONT CAL.	x
12	90111050000	brake light switch, front	1
13	90111050050	WIRE BRAKE LIGHT SWITCH FRONT	1
17	J01008050S	HH COLLAR SCREW M8X1X50 SW12SS	2
20	90113021000	BLEEDER SCREW	1
21	90113017000	BOLT F. BRAKE PADS	1
22	90113018000	SPRING CLIP	1

179051360

18797

* NEW PART

X ON DEMAND



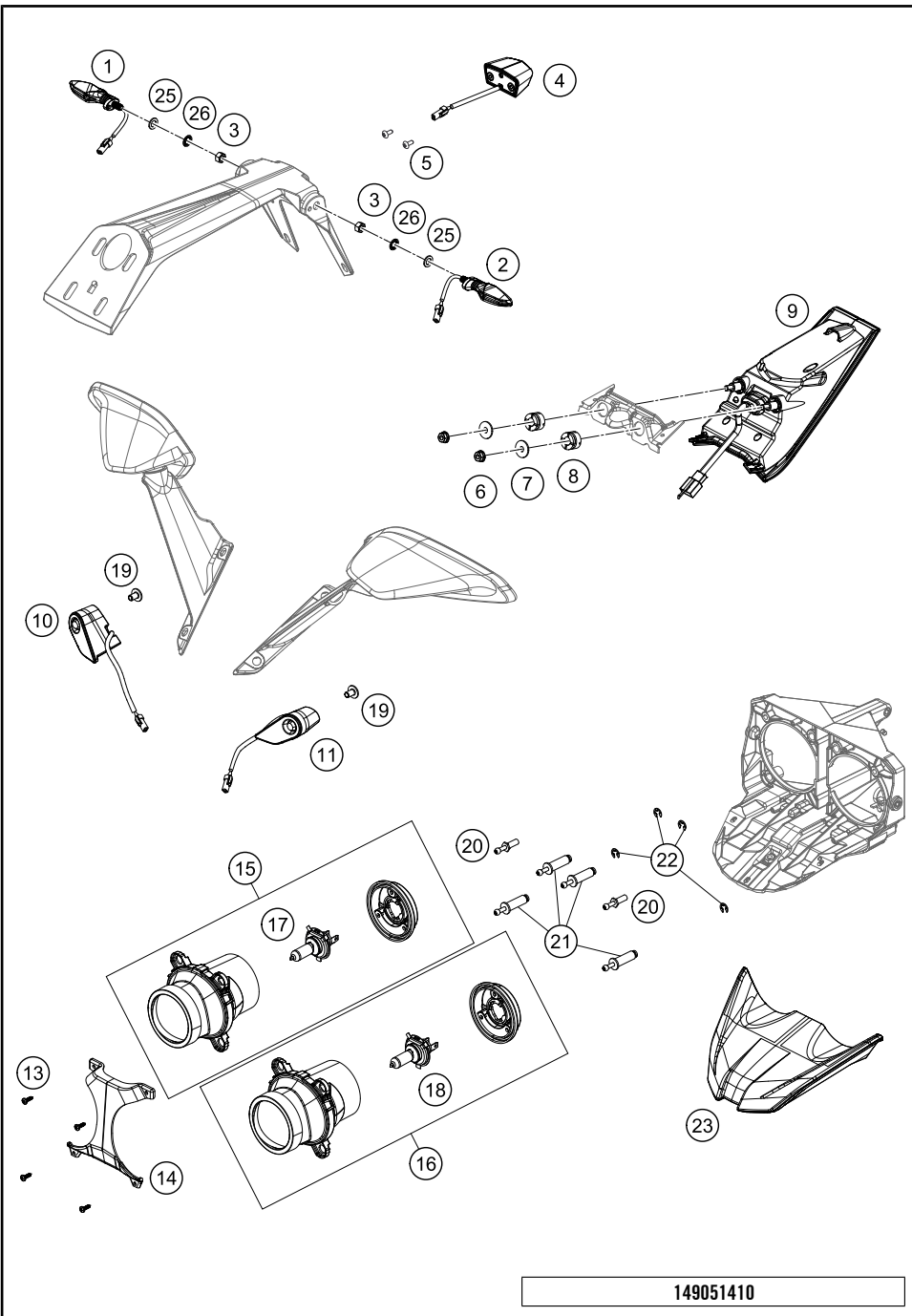
POS	PARTNUMBER	PARTNAME	PIECE
1	90113080000	brake caliper, rear cpl.	1
2	90613075000	BRAKE CALIPER SUPPORT REAR ABS	1
3	90113090000	REAR BRAKE PADS - SET	1
6	90113060000	footbrake zylinder cpl.	1
7	90113013044	BANJO BOLT KIT	x
8	90113009000	BRAKE FLUID RESERVOIR CPL.	1
9	90113121000	BLEEDER SCREW	1
12	J025060143	HH COLLAR SCREW M6X14 SW8	1
13	90114060003	COLLAR BUSHING	1
14	90642001044	BRAKE HOSE KIT ABS-REAR CAL.	x
15	90542002044	BRAKE HOSE KIT ABS-REAR CYL.	x
16	90111051044	BREAK LIGHT SWITCH REAR KIT	x
17	90534034300	BOLT SHIFT LEVER	1
18	90534031020	WASHER SHIFTING LEVER	2
19	J625060800	BALL BEARING 608	2
20	90113052000	brake pedal spring	1
21	J933060253	HH COLLAR SCREW DIN 933 M6X25	1
22	J934060003	HEXAGON NUT M6	1
23	90113057000	pin for fork end	1
24	J125060003	PLAIN WASHER 6,5X13X1	1
25	J094020153	splint pin 2x15mm	1
26	90113174000	RETAINING PLATE RESERVOIR	1
27	J025060109	HH-COLLAR SCREW M6X10 SW8	2
30	J025060163	HH COLLAR SCREW M6X16 SW10	2
31	90113050244	FOOT BRAKE LEVER CPL.	1
32	90134035000	GEAR SHIFT LEVER RUBBER	x
33	90513069000	HOSE FOR RESERVOIR	1

149051391

15642

* NEW PART

X ON DEMAND

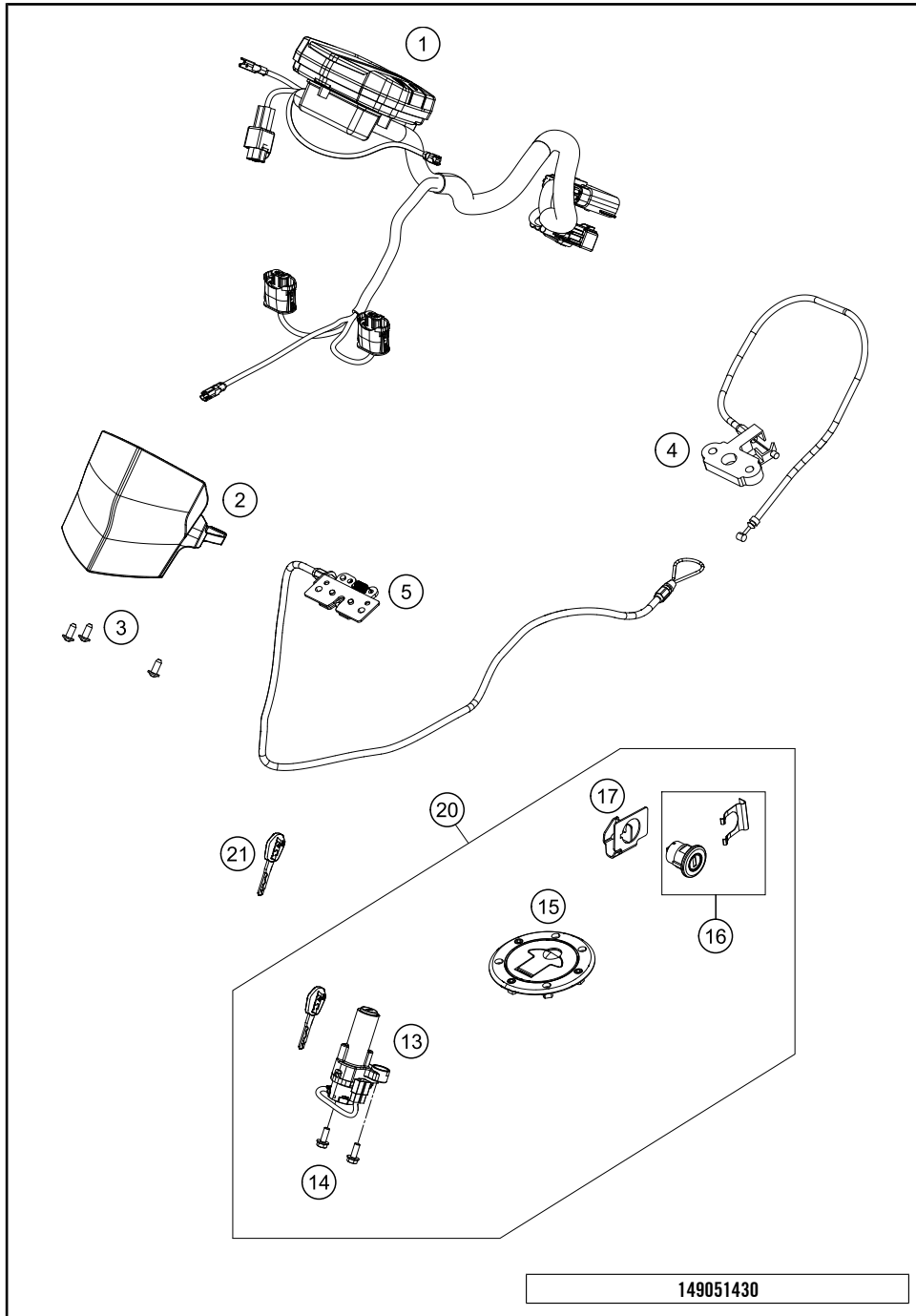


POS	PARTNUMBER	PARTNAME	PIECE
1	90514036100	FLASHER REAR R/S	1
2	90514035100	FLASHER REAR L/S	1
3	90103038002	FLANGED NUT M10X1,25 WS14	2
4	90114047000	LICENSE PLATE ILLUMINATION	1
5	J981420133	SHEET MET.SCR. DIN 7981 4,2X13	2
6	J926060000	FLANGED NUT M6 WS10 SELF LOCK.	2
7	90814044000	PLAIN WASHER	2
8	90107013004	GROMMET TOP COVER	2
9	90514040001	REAR LIGHT LED	1
10	90514026000	FLASHER FRONT R/S	1
11	90514025000	FLASHER FRONT L/S	1
13	J981350133	SHEET MET.SCR. DIN 7981 3,5X13	4
14	90514007000	COVER POSITION LAMP	1
15	90514003100	HEADLIGHT HIGH BEAM	1
16	90514001100	HEADLIGHT LOW BEAM	1
17	90514003060	BULB H9 65W	1
18	90514003050	BULB H11 55W	1
19	J031050083	CHEESE-HEAD SCREW M5X8	2
20	90514013010	FASTENING BOLT HEADLAMP	2
21	90514013020	ADJUSTING BOLT HEADLAMP	4
22	90514013030	CIRCLIP D=6	4
23	90514004000	LAMP PARKING LIGHT	1
25	J125100003	WASHER PLAIN 10,5	2
26	J797100003	TOOTHED WASHER M10	2

149051410

45079

* NEW PART X ON DEMAND



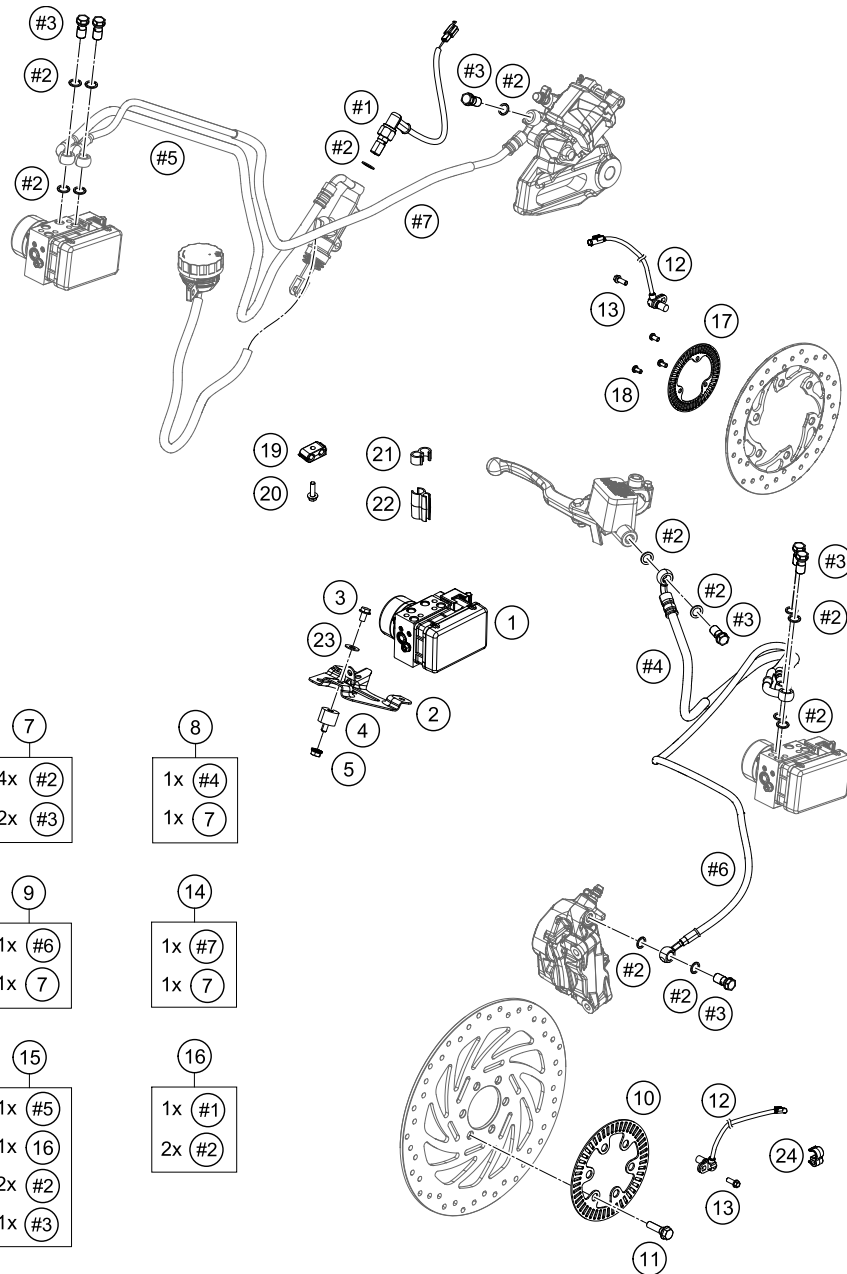
POS	PARTNUMBER	PARTNAME	PIECE
1	93814069000	SPEEDOMETER	1
2	90514006000	SPEEDOMETER BRACKET	1
3	J081050121	SELF TAPPING SCREW K50X12 T20	3
4	90507050033	SEAT LOCK CPL.	1
5	90508025033	LOCK BATTERY CASE CPL.	1
13	90511066100	IGNITION SWITCH	1
14	90130059000	HH COLLAR SCREW M6X16	2
15	90507008000	TANK CAP	1
16	90107050050	SEAT LOCK	1
17	90107050051	seat lock mounting plate	1
20	90511066044	LOCK SET	x
21	90111067100	BLANK KEY 125/200 DUKE	1

149051430

18798

* NEW PART

X ON DEMAND



POS	PARTNUMBER	PARTNAME	PIECE
1	93542031144	Unit ABS WET KT19	1
2	90642040000	BRACKET ABS MOUNTING	1
3	J026060083	HH COLLAR SCREW M6X8 SW10	3
4	90135001001	silentbloc M6	3
5	J926060000	FLANGED NUT M6 WS10 SELF LOCK.	3
7	90113013044	BANJO BOLT KIT	x
8	90542001044	BRAKE HOSE KIT ABS-FRONT CYL.	x
9	90642004044	BRAKE HOSE KIT ABS-FRONT CAL.	x
10	93042020000	SENSORRING ABS	1
11	90110062000	SPECIAL SCREW M8X25 SELF LOCK.	6
12	90142125000	ABS SENSOR	2
13	J028060166	BOLT M6X16	2
14	90642001044	BRAKE HOSE KIT ABS-REAR CAL.	x
15	90542002044	BRAKE HOSE KIT ABS-REAR CYL.	1
16	90111051044	BREAK LIGHT SWITCH REAR KIT	x
17	90142021000	SENSOR DISC REAR	1
18	90142021001	SCREW FOR ABS	3
19	90113024000	CLAMP FOR ABS HOSE	2
20	J025050183	BOLT M5X18	2
21	90113035000	CLAMP SENSOR CABLE HOLDING	4
22	93813147000	CLAMP FOR BRAKE HOSE	1
23	J125060003	PLAIN WASHER 6,5X13X1	3
24	93813035000	CLAMP SENSOR CABLE	4

179054210

50168

* NEW PART X ON DEMAND

WWW.KTM.COM



KTM Sportmotorcycle GmbH
5230 Mattighofen, Austria
www.ktm.com



KTM_POWERPARTS

KTM_POWERWEAR

KTM_ORIGINAL SPARE PARTS



F5003T1EN

Art. Nr.: F5003T1EN 30. Jan 2020