

RC 125, black 2022 EU 2022

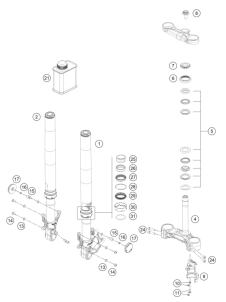
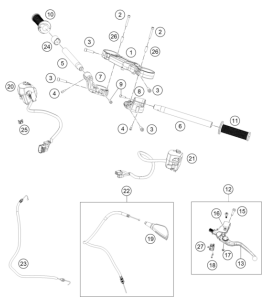
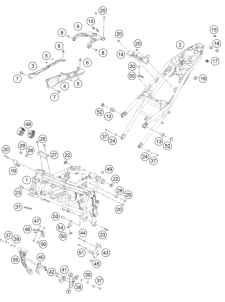
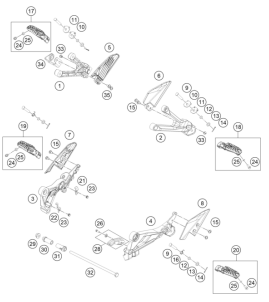
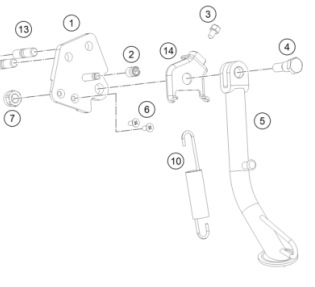
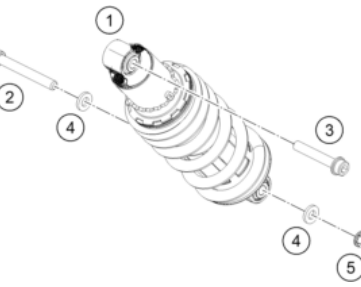
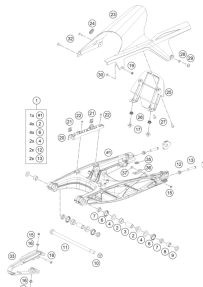
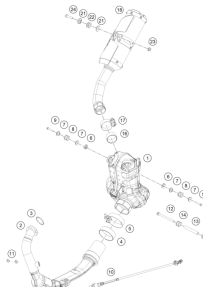
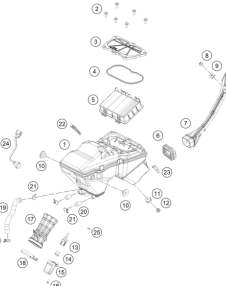
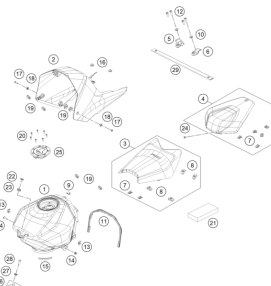
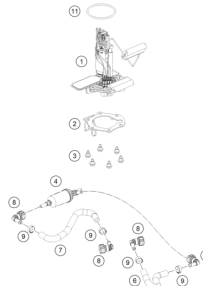
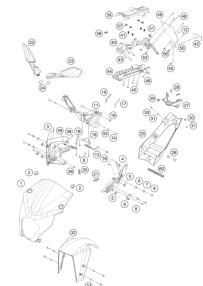
ART.-NR.: F5003V1EN

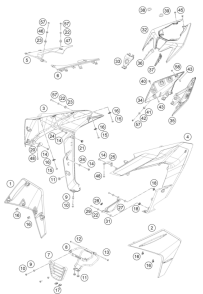

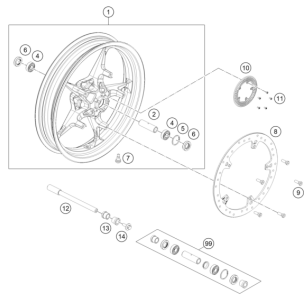
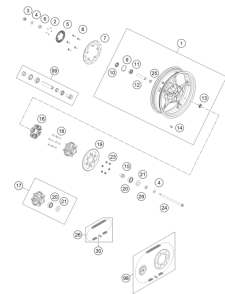

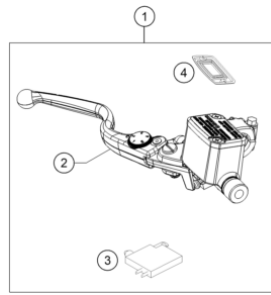
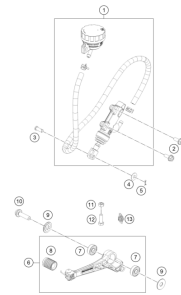
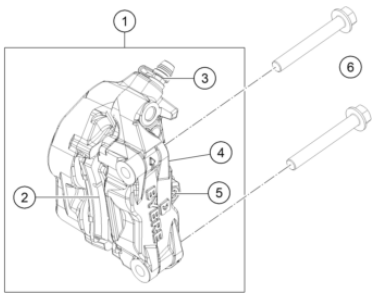
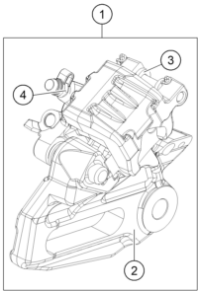
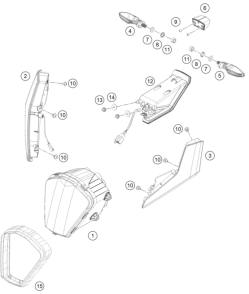
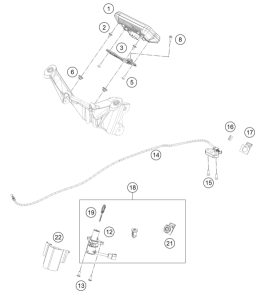
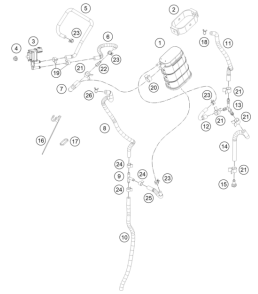


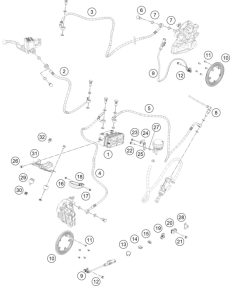


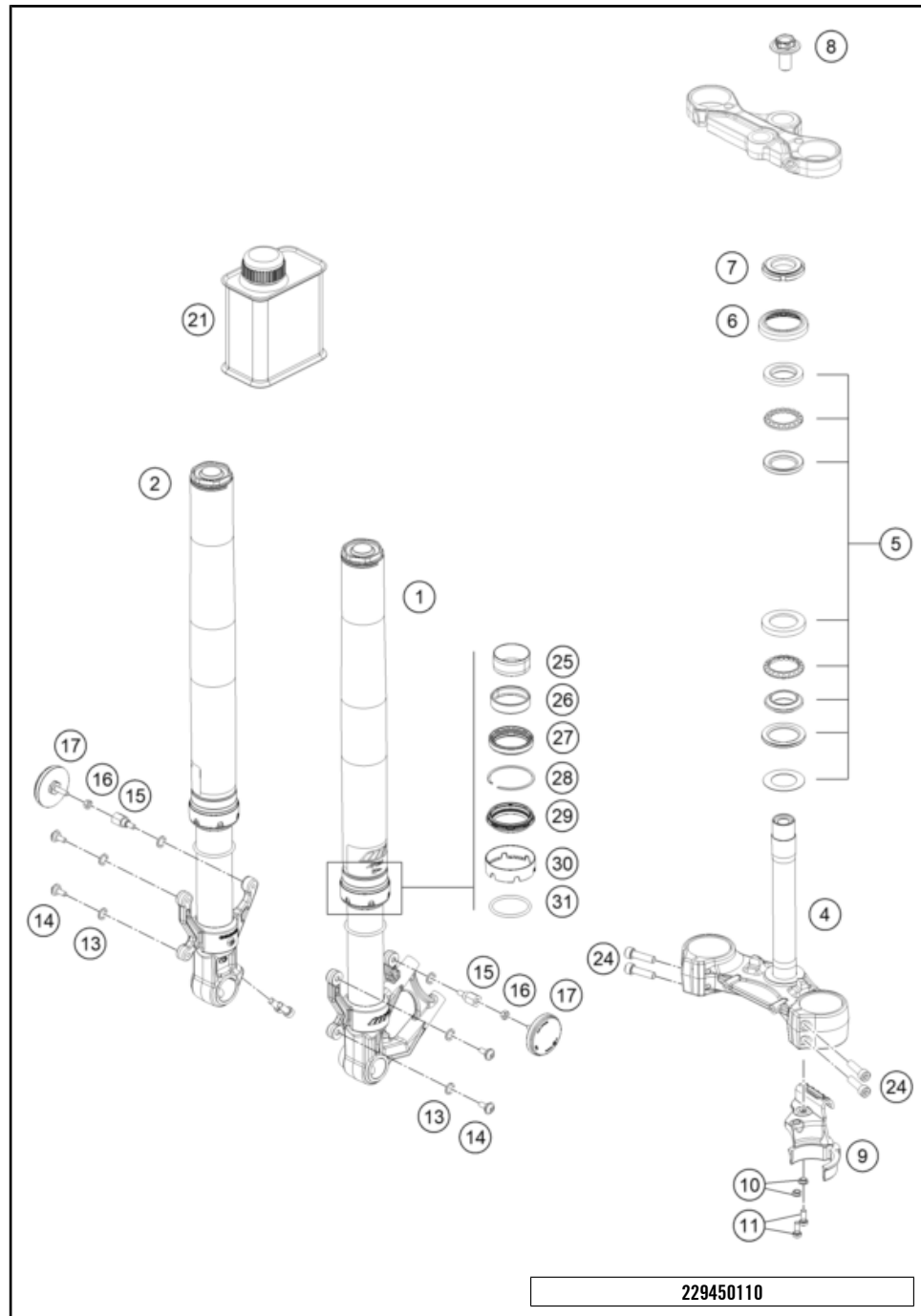
All information contained is without obligation. KTM Sportmotorcycle GmbH particularly reserves the right to modify any equipment, technical specifications, prices, colors, shapes, materials, services, service work, constructions, equipment and the like so as to adapt them to local conditions or to cancel any of the above items, all without previous announcement and without giving reasons. KTM may stop manufacturing certain models without previous notice. KTM shall not be held liable for any deviations of availability and/or ability to deliver, illustrations, descriptions, printing and/or other errors. The illustrated models partly contain extra equipment, which is not applied to standard models.

© by KTM Sportmotorcycle GmbH, Mattighofen AUSTRIA; All rights reserved; Reprint, also in extracts, with written allowance of KTM Sportmotorcycle GmbH, Mattighofen only.

| | | | |
|--|---|--|--|
| <p>FRONT FORK, TRIPLE CLAMP</p>  <p>4</p> | <p>HANDLEBAR, CONTROLS</p>  <p>5</p> | <p>FRAME</p>  <p>6</p> | <p>FOOTPEGS</p>  <p>8</p> |
| <p>SIDE / CENTER STAND</p>  <p>9</p> | <p>SHOCK ABSORBER</p>  <p>10</p> | <p>SWING ARM</p>  <p>11</p> | <p>EXHAUST SYSTEM</p>  <p>12</p> |
| <p>AIR FILTER</p>  <p>13</p> | <p>TANK, SEAT</p>  <p>14</p> | <p>FUEL PUMP</p>  <p>15</p> | <p>MASK, FENDERS</p>  <p>16</p> |

| | | | |
|---|--|--|---|
| <p>SIDE TRIM</p>  <p>18</p> | <p>DECAL</p>  <p>20</p> | <p>FRONT WHEEL</p>  <p>21</p> | <p>REAR WHEEL</p>  <p>22</p> |
| <p>WIRING HARNESS</p>  <p>23</p> | <p>FRONT BRAKE CONTROL</p>  <p>24</p> | <p>REAR BRAKE CONTROL</p>  <p>25</p> | <p>FRONT BRAKE CALIPER</p>  <p>26</p> |
| <p>REAR BRAKE CALIPER</p>  <p>27</p> | <p>LIGHTING SYSTEM</p>  <p>28</p> | <p>INSTRUMENTS / LOCK SYSTEM</p>  <p>29</p> | <p>EVAPORATIVE CANISTER</p>  <p>30</p> |

| | | | |
|---|--|--|--|
| <p>ANTIBLOCK SYSTEM ABS</p>  <p>31</p> | | | |
| | | | |
| | | | |



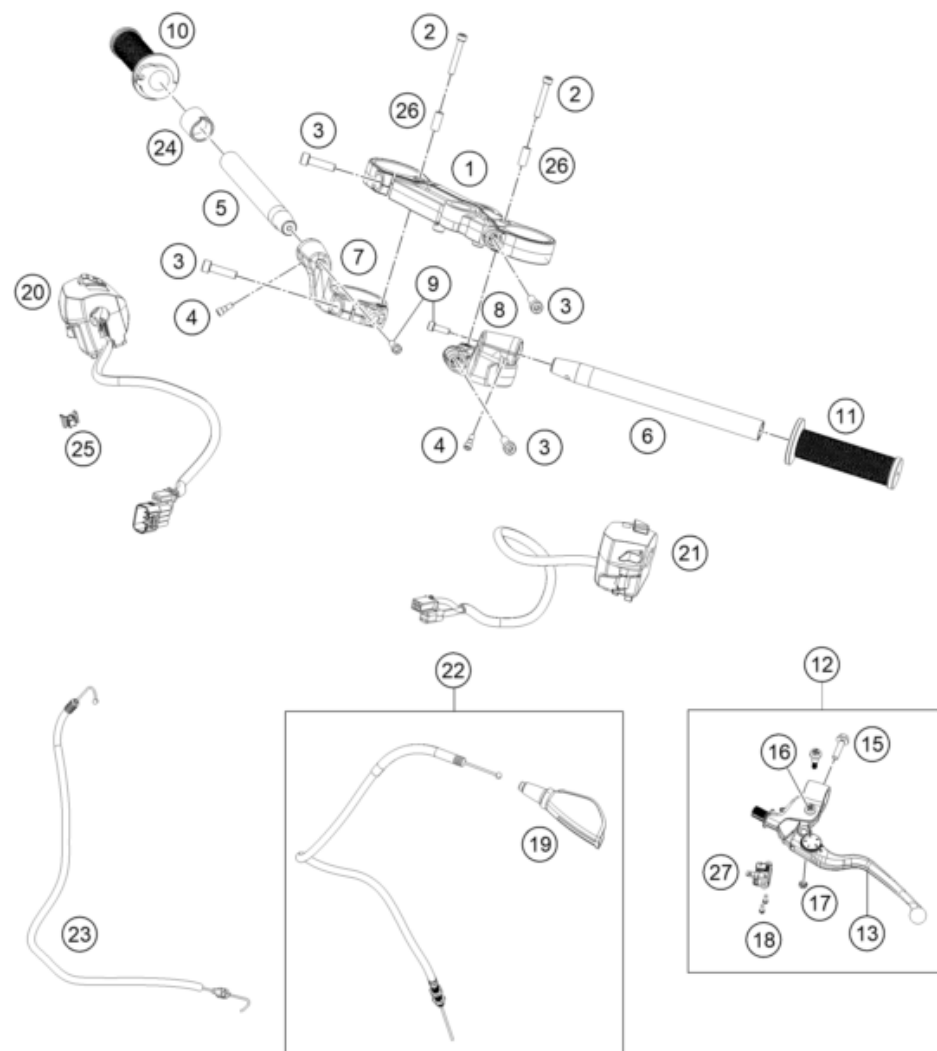
| POS | PARTNUMBER | PARTNAME | PIECE |
|-----|---------------|--|-------|
| 1 | JY121114 | Dummy_SPC_Bajajteil LEG ASSEMBLY LH | 1 |
| 2 | JY121115 | Dummy_SPC_Bajajteil LEG ASSEMBLY RH | 1 |
| 4 | 94501032035 | Bottom triple clamp | 1 |
| 5 | 90101080044 | STEERING HEAD BEARING-KIT | 1 |
| 6 | 90101086000 | protection cap | 1 |
| 7 | 90101036100 | Adjusting ring steering head | 1 |
| 8 | 90501044000 | steering head screw | 1 |
| 9 | 93013055000 | Hose clamp | 1 |
| 10 | 90113055010 | sleeve for hose clamp | 2 |
| 11 | J021060156 | AH SCREW M6X15 10.9 | 2 |
| 13 | 93009059000 | Washer nylon | 6 |
| 14 | J031050161 | Panhead screw with shoulder | 4 |
| 15 | 94512082010 | Reflector holder BOLT STEP M6X1 | 2 |
| 16 | J910000600505 | NUT HEX THICK | 2 |
| 17 | 94512082000 | Side reflector | 2 |
| 21 | 48601166S1 | Fork Fluid Viscosity 4.0 5L | 1 |
| 24 | 90501045000 | AH SCREW M8X1.25X30 | 4 |
| 25 | 43578014 | GUIDE BUSH LOWER | 2 |
| 26 | 43578016 | GUIDE BUSH UPPER | 2 |
| 27 | 43570623 | Shaft seal SKF 43x52,9x11,4 black | 2 |
| 28 | 43578044 | CIRCLIP | 2 |
| 29 | 43570624 | Dirt scarper SKF 43mm black | 2 |
| 30 | 43578206 | Fork protection ring d43 | 2 |
| 31 | 43578219 | O-ring 40x2,5 VMQ70 red ISO 3601 | 2 |

229450110

59940

* NEW PART

X ON DEMAND



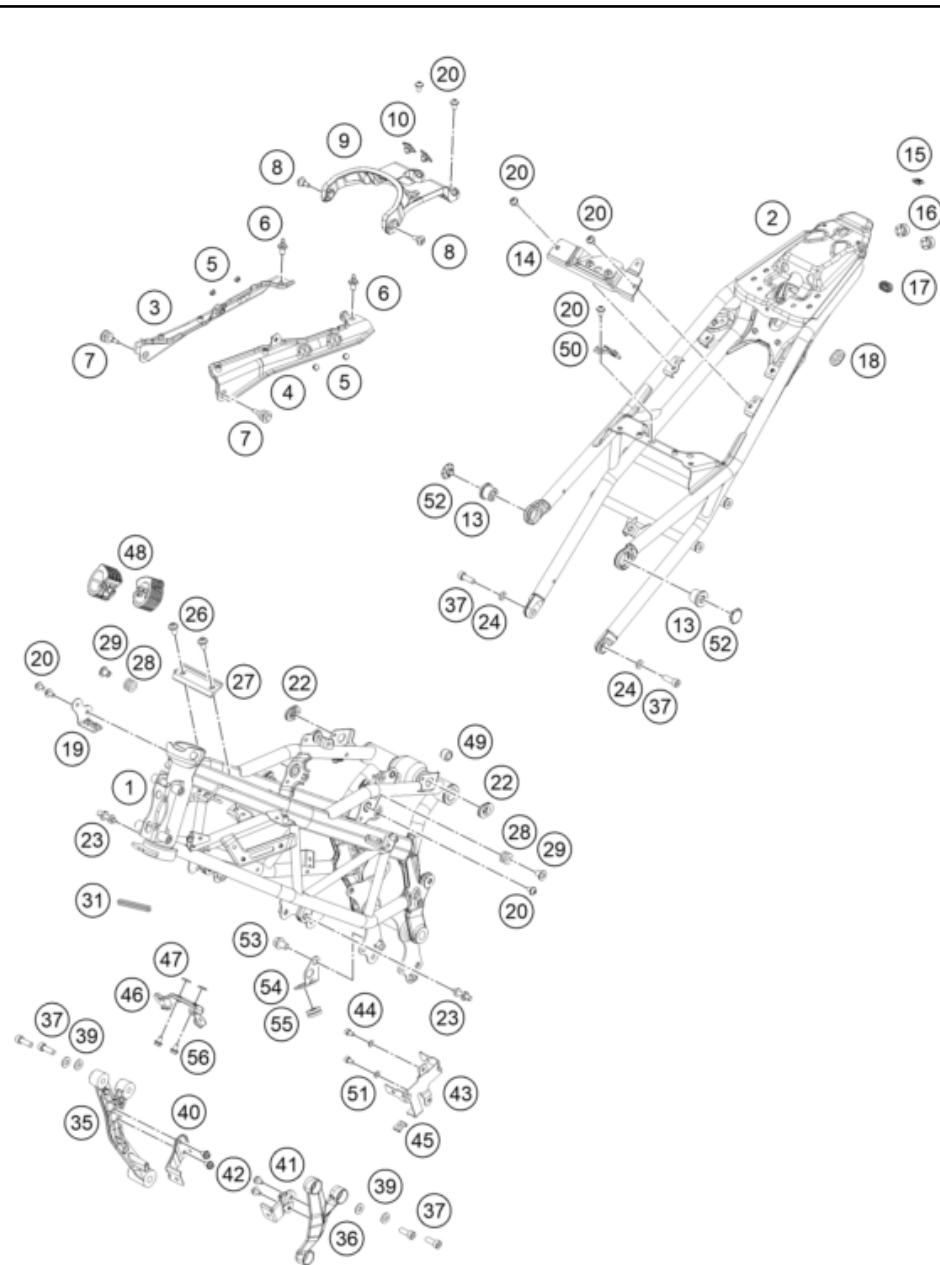
| POS | PARTNUMBER | PARTNAME | PIECE |
|-----|---------------|--|-------|
| 1 | 94501034035C1 | Top triple clamp | 1 |
| 2 | J900000605004 | Set screw w.hexagon socket M6x50 | 2 |
| 3 | 90501045000 | AH SCREW M8X1.25X30 | 4 |
| 4 | 90511006000 | SPECIAL SCREW M5x0,8X13 | 2 |
| 5 | 93802001100 | HANDLEBAR R/S | 1 |
| 6 | JY151045 | Dummy_SPC_Bajajteil TUBE HANDLEBAR LH | 1 |
| 7 | 94502006010 | HOLDER HANDLE RH | 1 |
| 8 | 94502005010 | HOLDER HANDLE LH | 1 |
| 9 | 90511006100 | BOLT SOCKET M6X1X14 | 2 |
| 10 | 94502010033 | Throttle compl. | 1 |
| 11 | 94502039000 | GRIP LH | 1 |
| 12 | 94502031044 | assembly lever-holder lh | 1 |
| 13 | 93502031100 | Clutch lever | 1 |
| 15 | J025060251 | bolt flanged-m6x1x125xcl8.8xblak | 1 |
| 16 | 93802031100 | LEVER PIVOT BOLT | 1 |
| 17 | J982050006 | nyloc nut-M5x0.8 | 1 |
| 18 | 90232014002 | Screw pan cross M3x0.5 | 2 |
| 19 | 93802016000 | BOOT CLUTCH LEVER | 1 |
| 20 | 94511074000 | Combination switch right | 1 |
| 21 | 94811070000 | SWITCH CONTROL LH | 1 |
| 22 | 94502090000 | Clutch cable | 1 |
| 23 | 93502091100 | Throttle cable | 1 |
| 24 | 93011074010 | Distance holder handlebar switch | 1 |
| 25 | 94111071000 | LOCATOR SWITCH | 1 |
| 26 | J800000702800 | Bushing 6.5x28 | 2 |
| 27 | 94811049000 | clutch switch | 1 |

229450210

59941

* NEW PART

X ON DEMAND



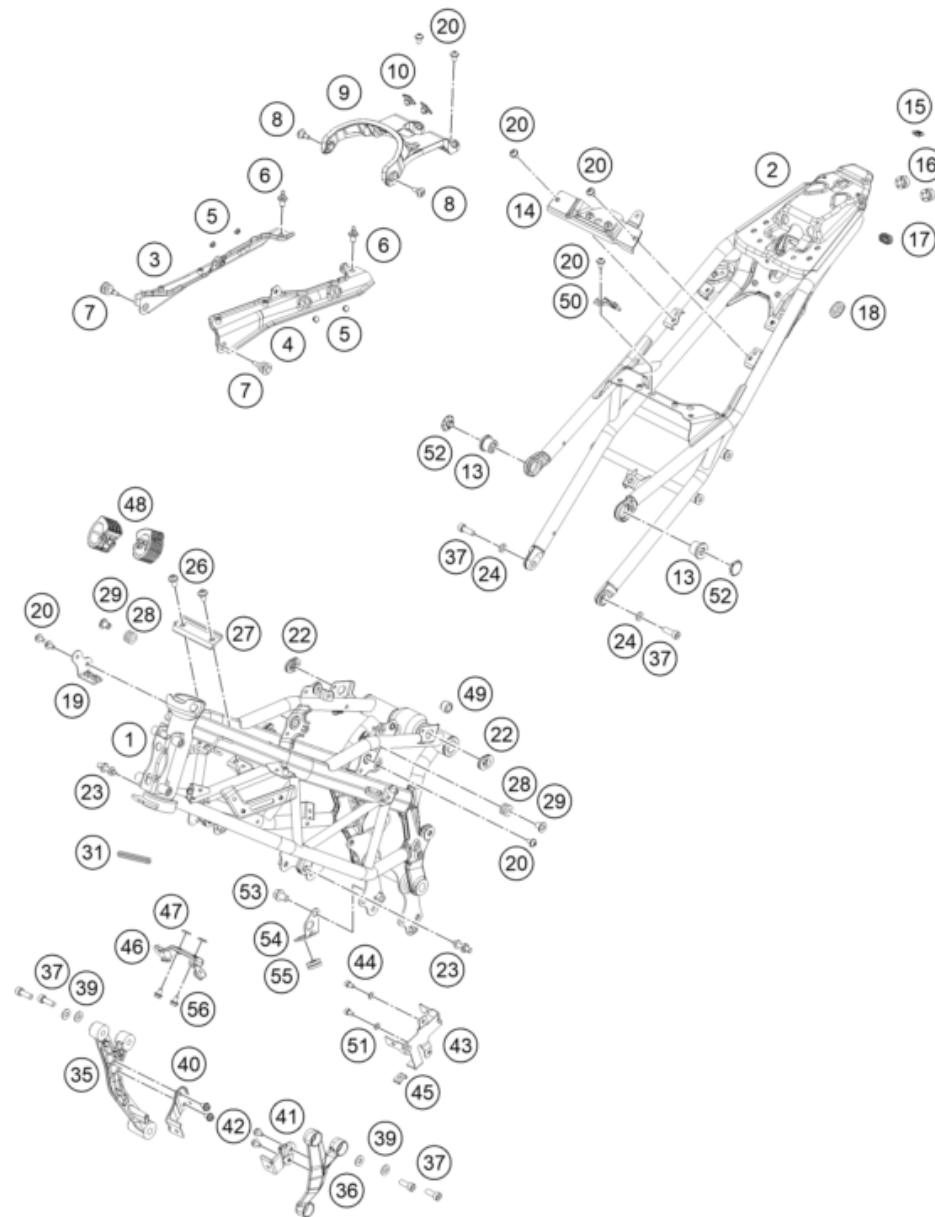
229460310

| POS | PARTNUMBER | PARTNAME | PIECE |
|-----|---------------|------------------------------------|-------|
| 1 | 94503001000C1 | Frame front - Black Gloss | 1 |
| 2 | 94503002000EB | Subframe | 1 |
| 3 | 94503002054 | BRACKET SPIDER RH | 1 |
| 4 | 94503002053 | BRACKET SPIDER LH | 1 |
| 5 | 94503002065 | DAMPER | 4 |
| 6 | 94503002057 | Quick lock pin M8 | 2 |
| 7 | J025080246 | Hex collar screw. M8x23.5 | 2 |
| 8 | 90512042020 | STEP BOLT M6 | 2 |
| 9 | 94508049010 | Carrier cover tank | 1 |
| 10 | 90507047041 | SEAT DUMPER SOZIUS SEAT | 2 |
| 13 | 94503082000 | SCREW SET SOCKET M22X1.25 | 2 |
| 14 | 94503002085 | BRACKET LATCH SEAT | 1 |
| 15 | 90507047042 | GROMMET PILLION SEAT | 1 |
| 16 | 90107013004 | GROMMET TOP COVER | 2 |
| 17 | 90508024050 | GROMMET BATTERY BOX | 1 |
| 18 | 90508016070 | GROMMET FOR CABLE | 1 |
| 19 | 94541088010 | BRACKET SENSOR ROLL OVER | 1 |
| 20 | 90508006001 | SOCKET HEAD BOLT M6X12 | 7 |
| 22 | 95811055010 | Rubber grommet | 2 |
| 23 | 94503001080 | Quick lock stud M8x12 | 2 |
| 24 | J690000801500 | washer plain-id8.2xod15xt2xblack | 2 |
| 26 | J031080146 | screw button head-m8x1.25x14xbl | 2 |
| 27 | 94503001035 | BRACKET FRAME FRONT MIDDLE | 1 |
| 28 | J650001901402 | GROMMET | 2 |
| 29 | J800000701400 | Collar bushing 6.5x13.5 | 2 |
| 31 | 90507012000 | BEADING TANK LH | 1 |
| 35 | 93303006000C1 | ENGINE HANGER RH MAT BLACK KT19 | 1 |
| 36 | 93303005000C1 | ENGINE HANGER LH MAT BLACK KT19 | 1 |
| 37 | J912080251 | Hexagon screw M8X25 | 4 |
| 39 | J125080006 | Washer M8 | 4 |
| 40 | 94603001010 | BRACKET RADIATOR RH | 1 |
| 41 | 94603001020 | BRACKET RADIATOR LH | 1 |
| 42 | J025060103 | HH COLLAR SCREW M6X10 SW10 | 4 |
| 43 | 94515003000 | Evaporative canister support plate | 1 |
| 44 | J900000601001 | Hexagon socket screw M6x10 | 2 |
| 45 | 93615005000 | Rubber underlay | 1 |
| 46 | 93035004000 | Support | 1 |
| 47 | J125090006 | Washer 9,2X16X2 | 2 |

57811

* NEW PART

X ON DEMAND



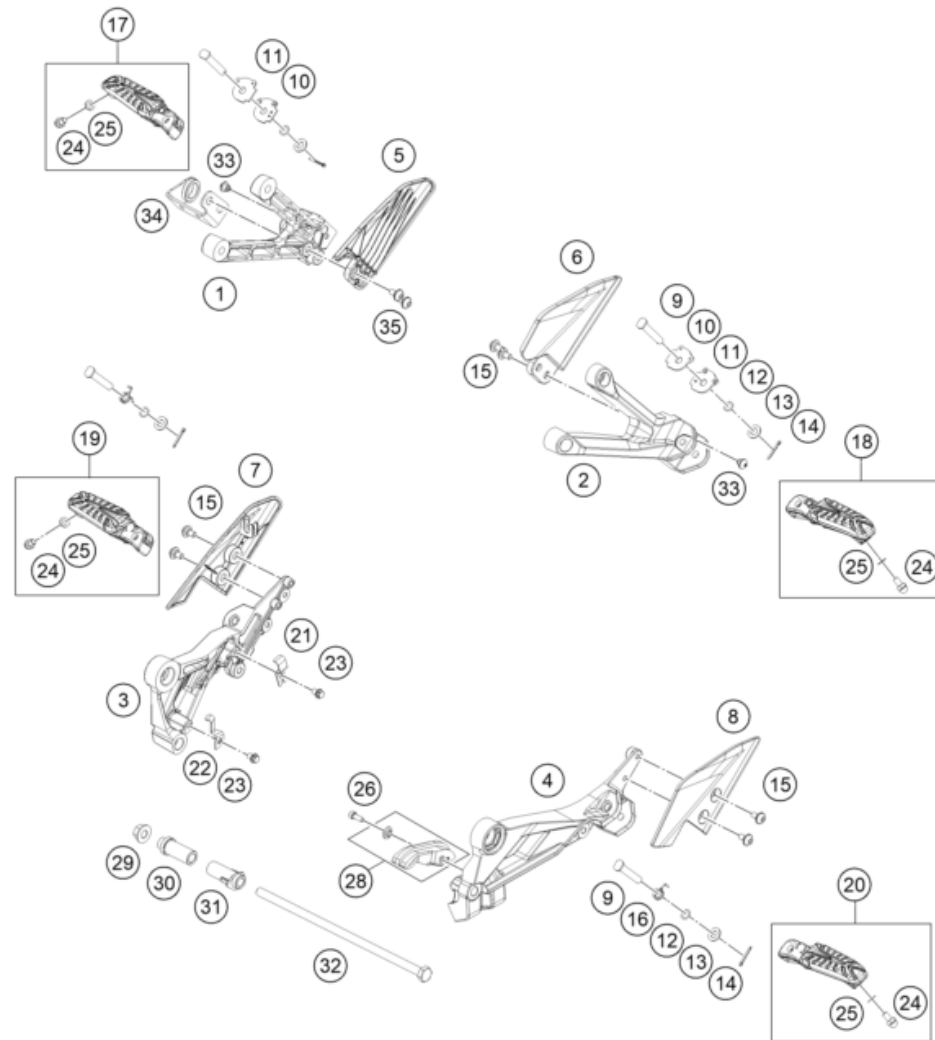
| POS | PARTNUMBER | PARTNAME | PIECE |
|-----|---------------|----------------------|-------|
| 48 | 94507012000 | Damper | 2 |
| 49 | 94503001097 | collar | 1 |
| 50 | 94603099000 | HOLDER COUPLER | 1 |
| 51 | J690000600101 | WASHER PLAIN SMALL | 2 |
| 52 | 94503082010 | Cover | 2 |
| 53 | J900001001600 | BOLT FLANGED | 1 |
| 54 | 94603001030 | BRACKET PIPE DRAIN | 1 |
| 55 | J650002401600 | Rubber grommet 24x16 | 1 |
| 56 | J025060101 | Hexagon screw M6X10 | 2 |

229460310

57811

* NEW PART

X ON DEMAND



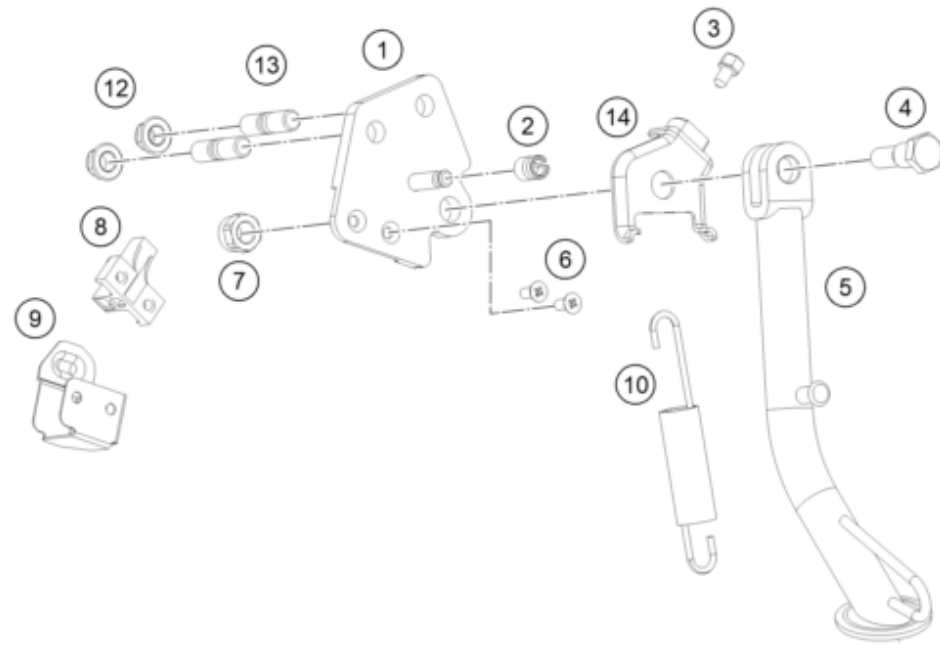
| POS | PARTNUMBER | PARTNAME | PIECE |
|-----|---------------|---|-------|
| 1 | 94503049000C1 | STEP HOLDER PILLON RH JY113041 BLACK MAT | 1 |
| 2 | 94503048000C1 | STEP HOLDER PILLON LH JY113039 BLACK MAT | 1 |
| 3 | 94503039000C1 | STEP HOLDER RH (JY113037) BLACK MATT | 1 |
| 4 | 94503038000C1 | STEP HOLDER LH (JY113035) BLACK MATT | 1 |
| 5 | 94603049050 | GUARD HEEL RH | 1 |
| 6 | 94603048050 | GUARD HEEL LH | 1 |
| 7 | 94603060010 | GUARD HEEL RH | 1 |
| 8 | 94603060020 | GUARD HEEL LH | 1 |
| 9 | J920000804701 | pin clevis dia 8 | 4 |
| 10 | 90503052000 | LOCK PLATE UPPER | 2 |
| 11 | 90503053000 | LOCK PLATE LOWER | 2 |
| 12 | J770009015 | O-RING 9X1,5 | 4 |
| 13 | 90503048010 | WASHER D=8,5 | 4 |
| 14 | J094020186 | pin cotter-dia. 2.5xl 18 | 4 |
| 15 | 93008020060 | Screw M6X1X9 | 6 |
| 16 | 93003042000 | Footpeg spring | 2 |
| 17 | 93003151033 | Rear footpeg compl. right | 1 |
| 18 | 93003150033 | Rear footpeg compl. left | 1 |
| 19 | 93003141033 | Front footpeg compl. right | 1 |
| 20 | 93003140033 | Front footpeg compl. left | 1 |
| 21 | 94603039010 | Retaining bracket, hose | 1 |
| 22 | 94603039020 | Retaining bracket, hose | 1 |
| 23 | J025060083 | HH COLLAR SCREW M6X8 SW8 | 2 |
| 24 | J029060103S | CAP SCREW M6X10 SS | 4 |
| 25 | J690000600101 | WASHER PLAIN SMALL | 4 |
| 26 | J912050141 | bolt socket-m5x0.8xl 14xprecoat | 1 |
| 28 | 95804070000 | Chain sliding guard | 1 |
| 29 | 90103038002 | FLANGED NUT M10X1.25 WS14 | 1 |
| 30 | 95803039010 | Distance sleeve | 1 |
| 31 | 95803038010 | Spacer | 1 |
| 32 | J025102656 | HH COLLAR SCREW M10X1,25X265 | 1 |
| 33 | J650001200500 | Rubber buffer | 2 |
| 34 | 94505088010 | bracket muffler | 1 |
| 35 | DG161222 | Dummy_SPC_Bajajteil BOLT :- PRE-COATED | 2 |

229480320

59417

* NEW PART

X ON DEMAND



| POS | PARTNUMBER | PARTNAME | PIECE |
|-----|---------------|-----------------------------------|-------|
| 1 | 93803026000 | Side stand bracket | 1 |
| 2 | 90111040100 | Bushing | 1 |
| 3 | 93503029000 | Magnet bracket | 1 |
| 4 | 90103027000 | SCREW F. SIDE STAND | 1 |
| 5 | 28103023000 | Side stand | 1 |
| 6 | J900000501200 | screw csk cros-m5x0.8x12xbright | 2 |
| 7 | J982101253 | SELF L. NUT M10X1,25 H11 WS17 | 1 |
| 8 | 93511045000 | SWITCH SIDE STAND | 1 |
| 9 | 28111046000 | Shield switch stand side | 1 |
| 10 | 90603024000 | SIDE STAND SPRING | 1 |
| 12 | 93003034000 | nut U flang-M10X1.25XHT.8.5XBRT | 2 |
| 13 | 93003027000 | bolt stud-M10X1.25XL20XBRXPRECOAT | 2 |
| 14 | 95803034000 | BRACKET HOLDER MAGNET | 1 |

229460360

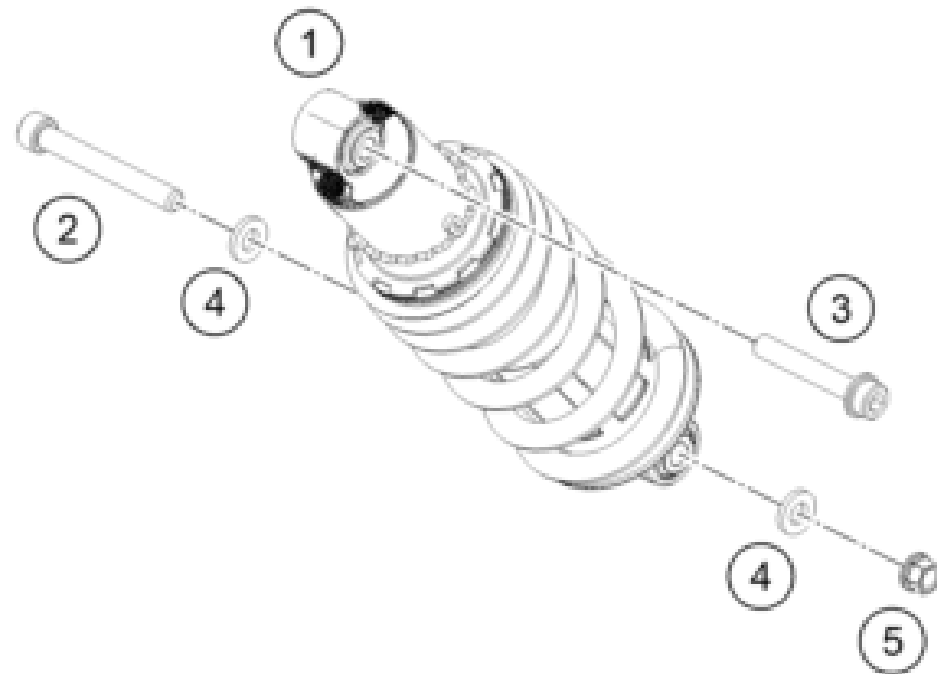
57897

* NEW PART

X ON DEMAND

SHOCK ABSORBER

RC 125, black 2022 EU 2022



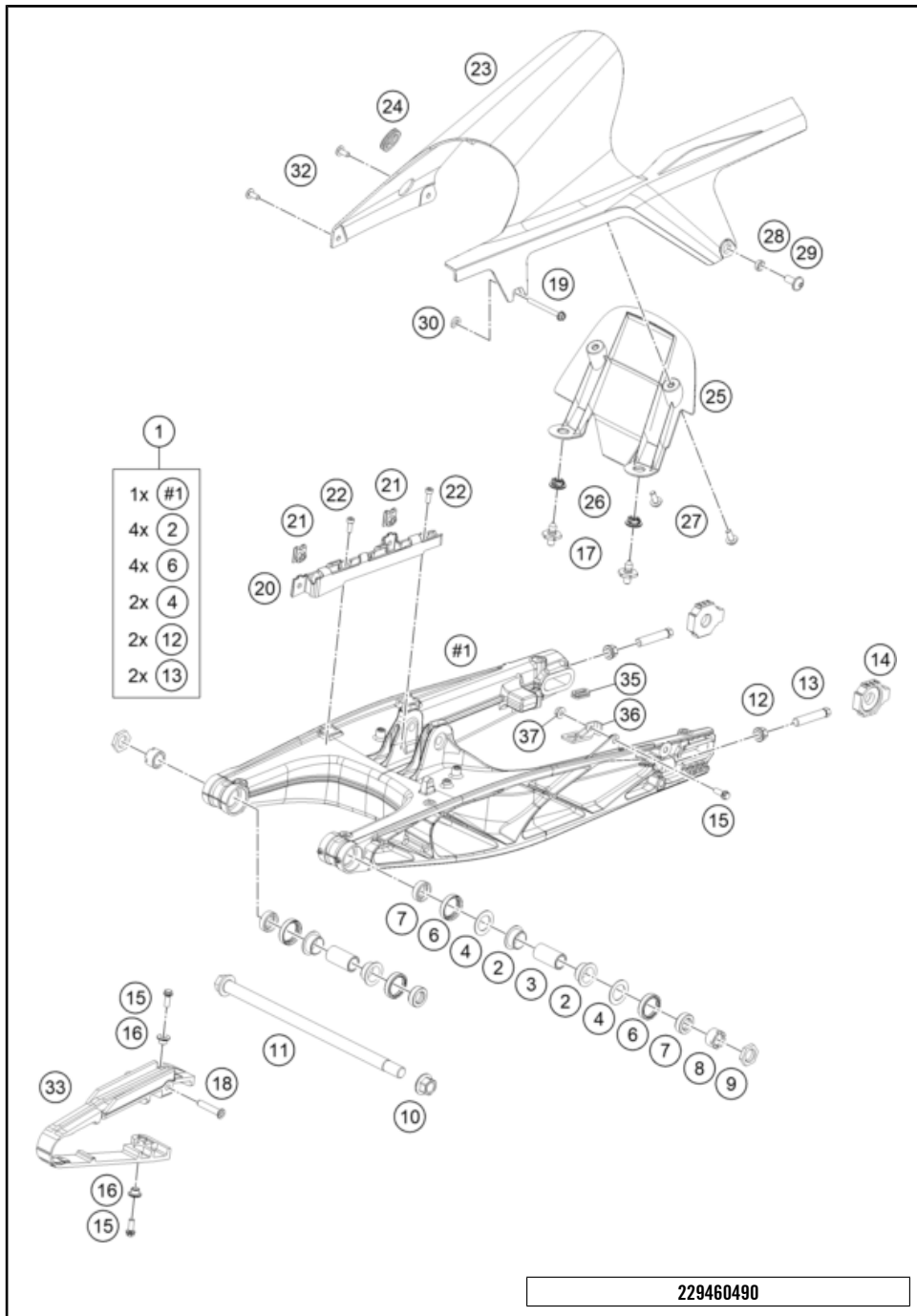
| POS | PARTNUMBER | PARTNAME | PIECE |
|-----|---------------|-------------------------------|-------|
| 1 | 94504010044 | Shock absorber | 1 |
| 2 | J020100806 | SHCS M10x1.25x80 - 10.9 | 1 |
| 3 | J900001006200 | BOLT FLANGED M10X1.25 | 1 |
| 4 | 90104010003 | PLAIN WASHER 10,2X20X3MM | 2 |
| 5 | 90104010002 | flanged hex nut M10x1.25 WS13 | 1 |

229480410

59939

* NEW PART

X ON DEMAND



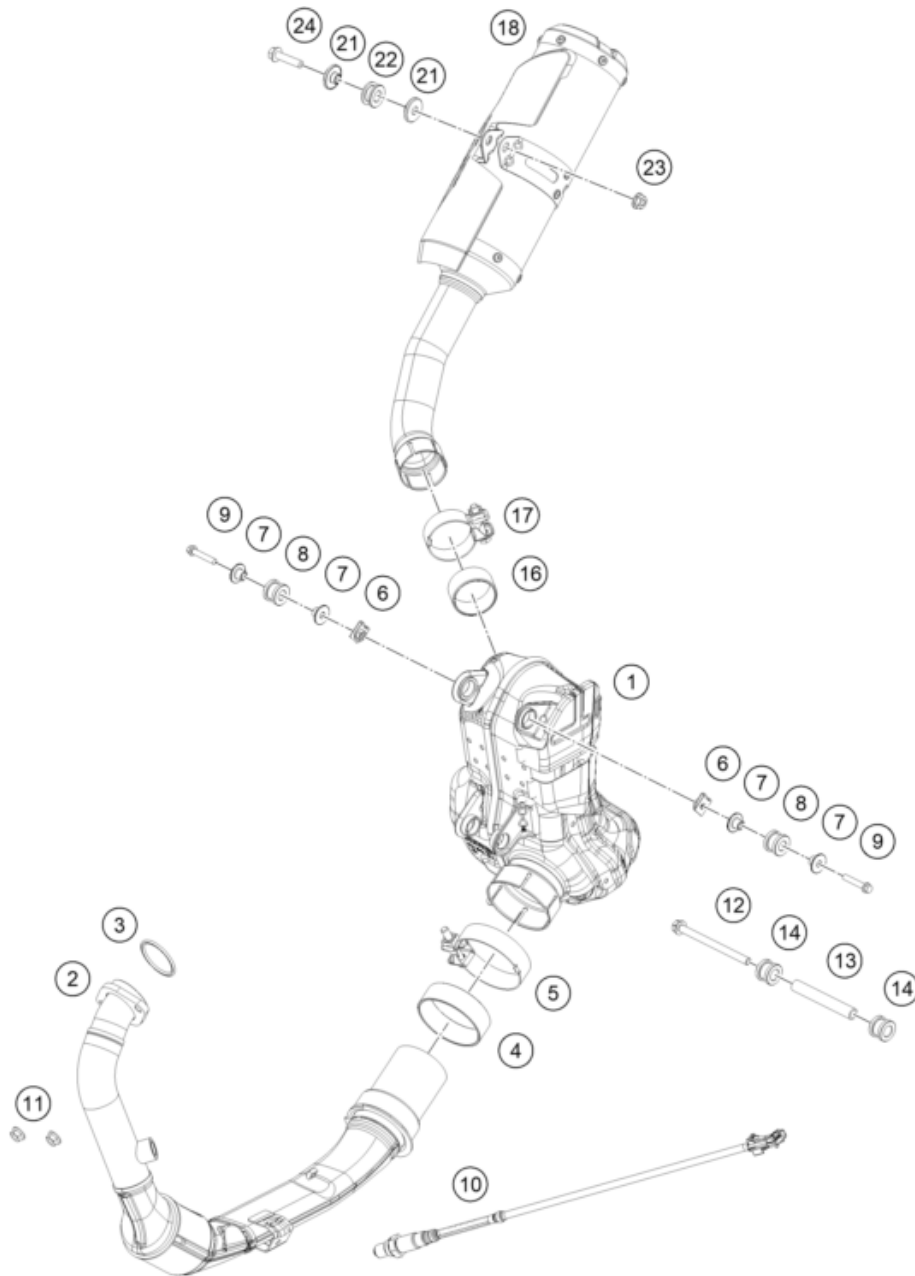
229460490

| POS | PARTNUMBER | PARTNAME | PIECE |
|-----|---------------|---------------------------------------|-------|
| 1 | 28104030044C1 | Swing Arm Sub Assy Husqvarna 401 MY20 | 1 |
| 2 | 90104031000 | Igus plain bearing | 4 |
| 3 | 90104032000 | sleeve bushing 15.1x20x38 | 2 |
| 4 | 90104036000 | Thrust washer 22.2x31.7x1 | 2 |
| 6 | 90104034001 | OIL SEAL RING 25X32X7 | 4 |
| 7 | 90104034000 | cup for radial shaft seal | 4 |
| 8 | 90104046000 | swingarm adjusting ring | 2 |
| 9 | 90104042000 | hex thrust washer | 2 |
| 10 | 90104038000 | FLANGED NUT M14X1.5 | 1 |
| 11 | 90104037000 | Shaft swing arm L=299mm | 1 |
| 12 | 90104040000 | BOLT HEX M10X1.25X50 WS10 | 2 |
| 13 | 90104040000 | BOLT HEX M10X1.25X50 WS10 | 2 |
| 14 | 90110084000 | chain tension adjuster, right | 2 |
| 15 | J025060169 | HH COLLAR SCREW M6X16 SW8 | 3 |
| 16 | 90604062000 | chain slider bushing | 2 |
| 17 | J900000600800 | pin quick release | 2 |
| 18 | 90904070020 | SLEEVE CHAIN GUARD | 1 |
| 19 | J025050504 | BOLT FLANGED M5X0.8XL | 1 |
| 20 | 94508022000 | Brake line guide rear | 1 |
| 21 | 90103097000 | clip nut | 2 |
| 22 | J912050141 | bolt socket-m5x0.8xl 14xprecoat | 2 |
| 23 | 94604060000 | Chain guard | 1 |
| 24 | J650003002300 | PLUG | 1 |
| 25 | 94504060010 | FENDER HUGGER FRONT | 1 |
| 26 | 93011068010 | Rubber grommet ignition lock cover | 2 |
| 27 | J900000601605 | Roundhead screw M6x16 | 2 |
| 28 | 90504060050 | SLEEVE FOR CHAIN COVER | 1 |
| 29 | 90508008001 | AH SCREW M8X20 | 1 |
| 30 | 90504067000 | WASHER CHAIN SLIDING GUARD | 1 |
| 32 | J900000601400 | screw button head-m6x1x114xblack | 2 |
| 33 | 90804066000 | chain slider | 1 |
| 35 | J650002401900 | Rubber grommet | 1 |
| 36 | 94604060020 | bracket cover chain | 1 |
| 37 | J926060001 | Hexagon nut M6 | 1 |

57847

* NEW PART

X ON DEMAND



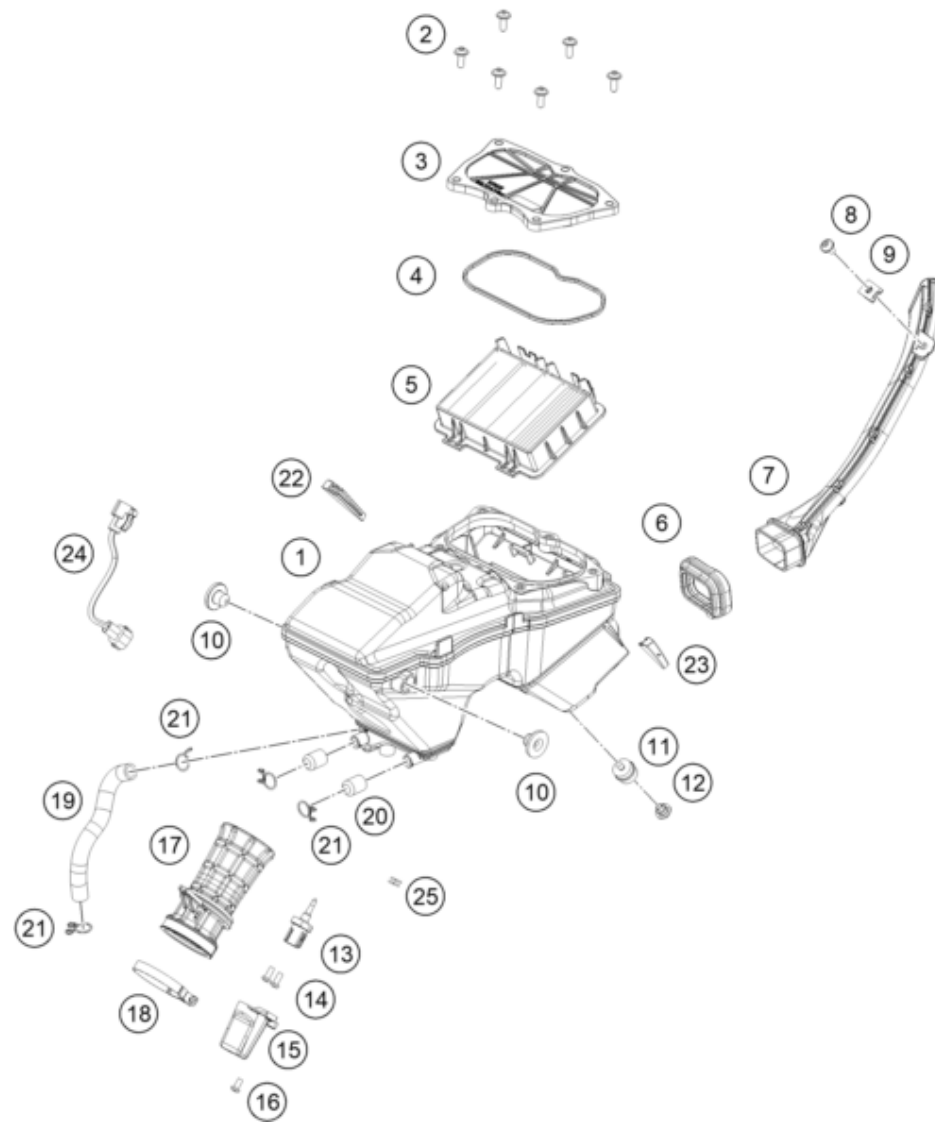
| POS | PARTNUMBER | PARTNAME | PIECE |
|-----|---------------|----------------------------------|-------|
| 1 | 28105050000 | ASSEMBLY PREMUFFLER | 1 |
| 2 | 94005007000 | PIPE ASSEMBLY A | 1 |
| 3 | 90105004100 | Gasket exhaust | 1 |
| 4 | 94305050172 | Gasket exhaust | 1 |
| 5 | 94305051000 | Exhaust clamp | 1 |
| 6 | 90103097000 | clip nut | 2 |
| 7 | 90205086001 | muffler mounting spacer bushing | 4 |
| 8 | 90205068000 | damper, bottom | 2 |
| 9 | 90105000002 | BOLT SILENCER MTG | 2 |
| 10 | 94341090000 | Oxygen sensor | 1 |
| 11 | J926080003 | Hex collar nut M6 | 2 |
| 12 | J027081053 | HH COLLAR SCREW M8X105 SW12 | 1 |
| 13 | 90105084000 | muffler mounting tube | 1 |
| 14 | 90105068100 | damper, bottom | 2 |
| 16 | 94305050071 | Exhaust flange gasket, muffler | 1 |
| 17 | 95805051010 | Exhaust pipe clamp | 1 |
| 18 | 94505083000 | Muffler cmpl. | 2 |
| 21 | 93805095000 | BUSH MUFFLER | 2 |
| 22 | 93805096000 | DAMPER MUFFLER | 1 |
| 23 | J692080006 | nut hex flange-M8x1.25xcl8xdacro | 1 |
| 24 | J900000804001 | Hex collar screw M8x40 | 1 |

229480511

59968

* NEW PART

X ON DEMAND



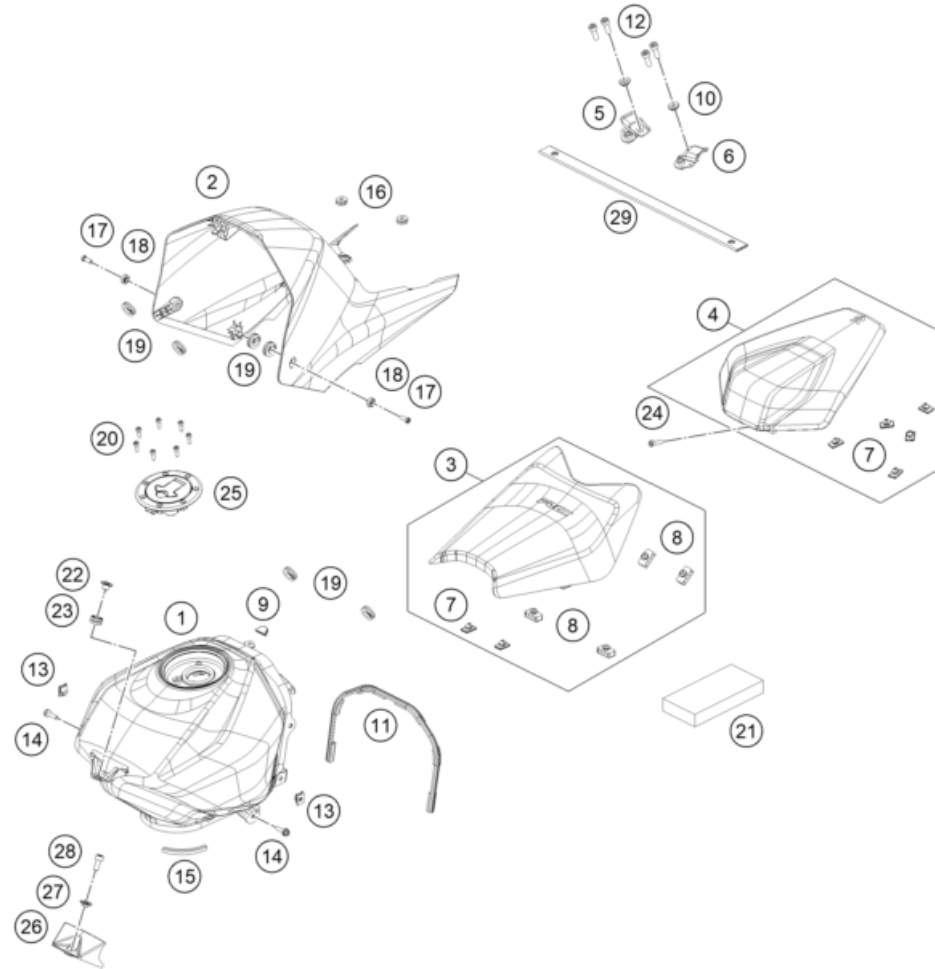
| POS | PARTNUMBER | PARTNAME | PIECE |
|-----|-------------|-------------------------------------|-------|
| 1 | 94006001000 | Air filter box | 1 |
| 2 | 93006039000 | Flat-head screw M6 | 6 |
| 3 | 93006002000 | Air filter box cover | 1 |
| 4 | 93006020050 | Seal | 1 |
| 5 | 93006015000 | FILTER | 1 |
| 6 | 93006001060 | Carburetor connection boot | 1 |
| 7 | 94506040000 | Intake snorkel | 1 |
| 8 | 90508006001 | SOCKET HEAD BOLT M6X12 | 1 |
| 9 | 93008084010 | Range change metal nut M6 | 1 |
| 10 | 93006001080 | Damping rubber | 2 |
| 11 | 90106001007 | SILENT BLOCK AIRFILTER | 1 |
| 12 | 94805058030 | Bolt flanged step M6x1 | 1 |
| 13 | 93041080000 | Intake air temperature sensor | 1 |
| 14 | J005050126 | Lens head screw M5X12 | 2 |
| 15 | 94505013000 | Sensor cover | 1 |
| 16 | J005050101 | Oval head screw M5X10 | 1 |
| 17 | 94541040000 | Velocity stack | 1 |
| 18 | 94805058000 | Exhaust clamp | 1 |
| 19 | 93030087200 | Engine vent hose | 1 |
| 20 | 93030089000 | Plug | 2 |
| 21 | 90130087001 | HOSE CLAMP | 4 |
| 22 | 93006021000 | Distance piece air filter box right | 1 |
| 23 | 93006001015 | Rubber cowl pad | 1 |
| 24 | 93041080050 | Cable | 1 |
| 25 | 93041080070 | DOPPELSEIT. KLEBEB. 3M 10X15 | 2 |

229460610

59979

* NEW PART

X ON DEMAND



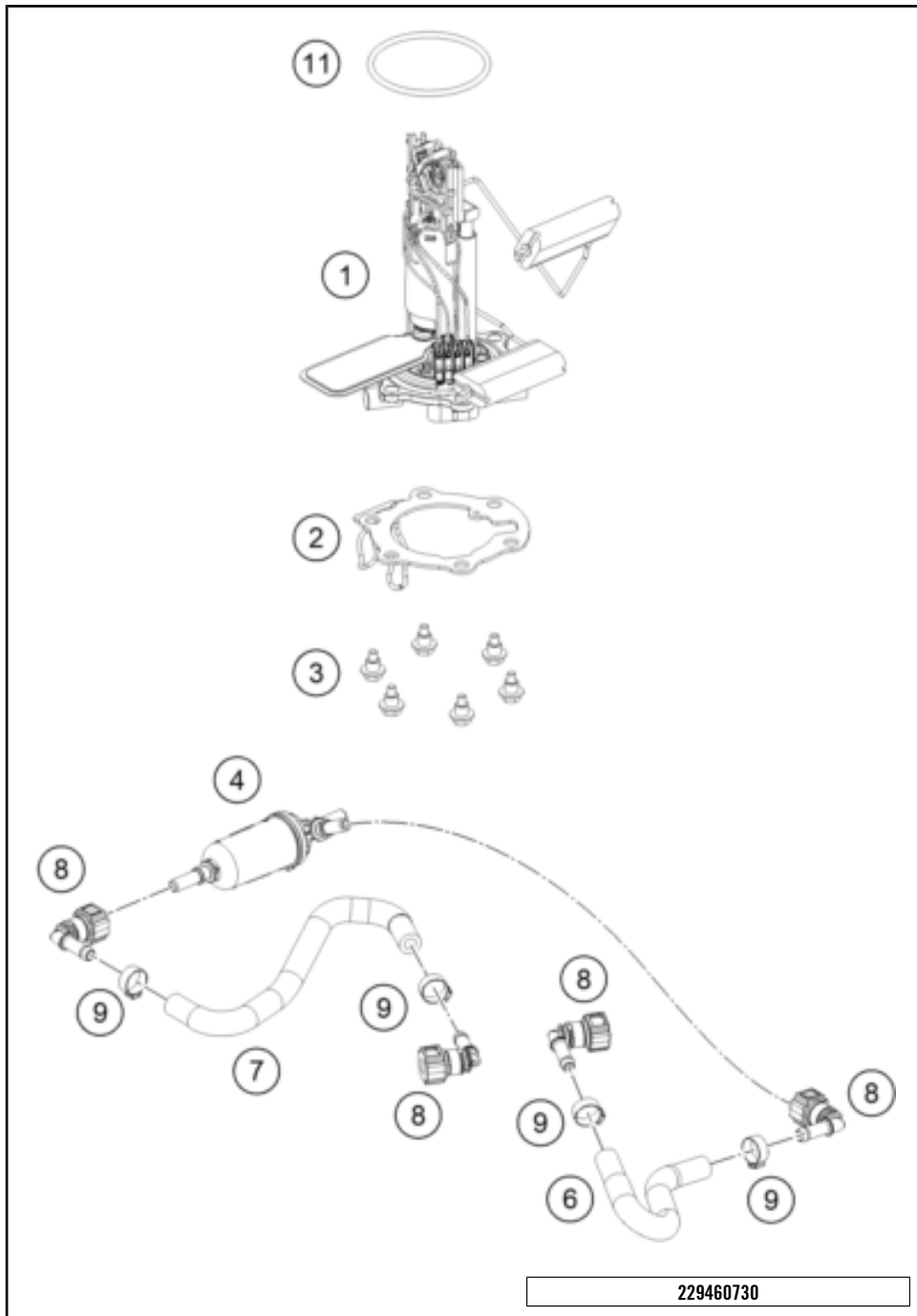
| POS | PARTNUMBER | PARTNAME | PIECE |
|-----|---------------|---|-------|
| 1 | 56JY8K6W | Dummy_SPC_Bajajteil RC MY21 F TANK JY171174 BLK ME | 1 |
| 2 | 94508049000C1 | TANK COVER JY181350 EBONY BLACK | 1 |
| 3 | 94507040000 | SEAT ASSEMBLY FRONT | 1 |
| 4 | 94507047000 | SEAT ASSEMBLY PILLION | 1 |
| 5 | 94507057020 | Passenger pulling strap fastening LH | 1 |
| 6 | 94507057010 | Passenger pulling strap fastening RH | 1 |
| 7 | 90507047041 | SEAT DUMPER SOZIUS SEAT | 7 |
| 8 | 93007040010 | Seat cowl pad | 4 |
| 9 | 94507013030 | Plastic caps | 1 |
| 10 | J800000900700 | Collar bushing | 2 |
| 11 | 94507013010 | Fuel tank, edge protection | 1 |
| 12 | LAC00035 | Dummy_SPC_Bajajteil BOLT SOCKET M8X1.25 | 4 |
| 13 | 90105017000 | CLIP NUT M6 | 2 |
| 14 | J025060221 | Bolt-Flange-Kad ST-D DIA-06 L-22 | 2 |
| 15 | 90507012000 | BEADING TANK LH | 1 |
| 16 | 93008019010 | Rubber bushing | 2 |
| 17 | 90808043001 | BOLT SOCKET M6X1XL | 2 |
| 18 | 90808010050 | BUSHING FRONT FENDER | 2 |
| 19 | 90108060001 | DAMPING RUBBER I RADIATOR PROT | 6 |
| 20 | J912050151 | AH SCREW M5X14 BLACK | 7 |
| 21 | 95829099000 | Tool set | 1 |
| 22 | 90507013005 | SLEEVE TANK MOUNTING | 1 |
| 23 | 90507013006 | GROMMET TANK MOUNTING | 1 |
| 24 | J912060256 | Hexagon socket screw, M6X25 | 1 |
| 25 | SXS03540700 | SXS FUEL TANK CAP | 1 |
| 26 | 94508062000 | COVER BRACKET TANK | 1 |
| 27 | J800000800400 | COLLAR | 1 |
| 28 | J912080303 | hexagon socket screw M8X30 | 1 |
| 29 | 94507057000 | Supporting strap seat | 1 |

229480710

59938

* NEW PART

X ON DEMAND

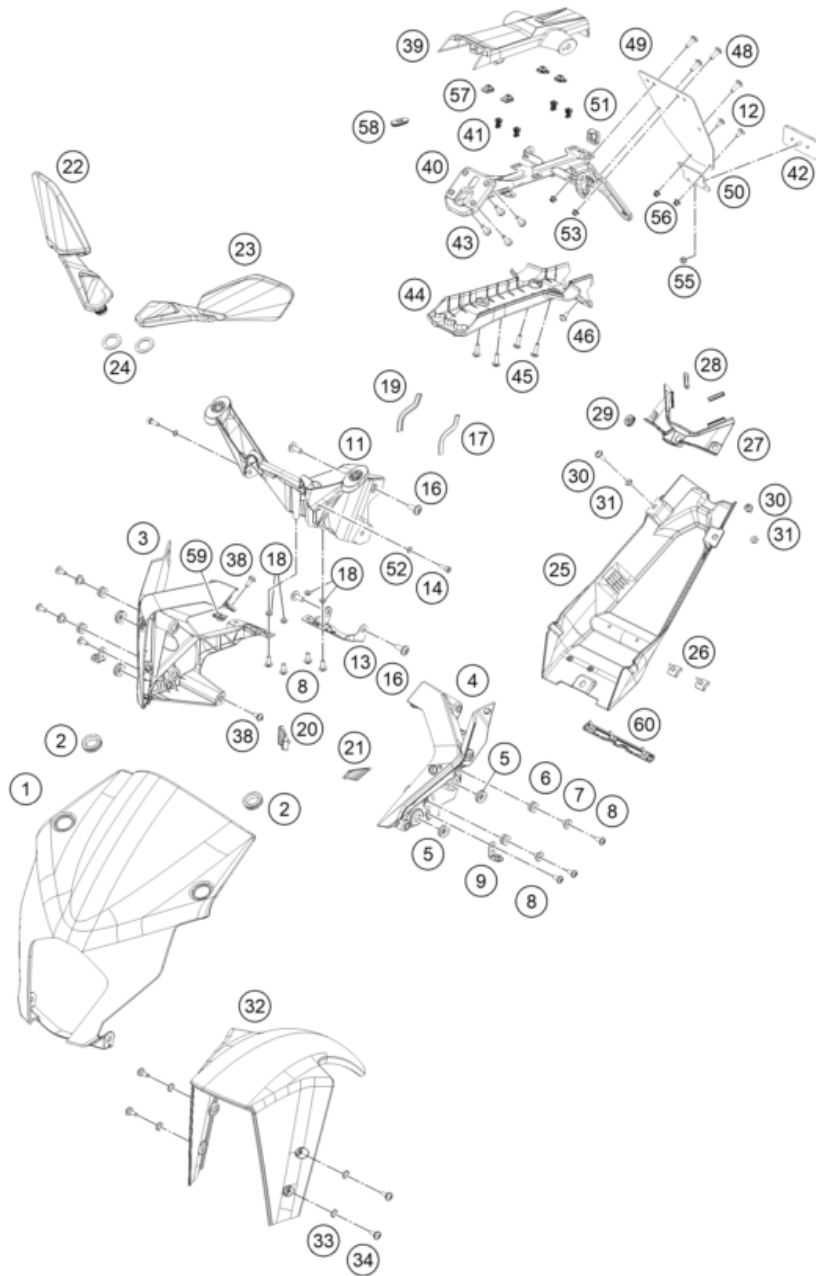


| POS | PARTNUMBER | PARTNAME | PIECE |
|-----|---------------|--------------------------------------|-------|
| 1 | 94507088000 | Fuel pump | 1 |
| 2 | 94507013050 | Intermediate disc, fuel pump | 1 |
| 3 | J025060128 | BOLT FLANGE- M6 X 1 X L12.8 XBRT XST | 6 |
| 4 | 93807018000 | fuel filter | 1 |
| 6 | 94507016010 | PIPE FUEL | 1 |
| 7 | 94507016000 | PIPE FUEL | 1 |
| 8 | 28107028000 | Angle piece | 4 |
| 9 | J300000701600 | Oetiker clamp D=14 | 4 |

229460730

57850

* NEW PART X ON DEMAND



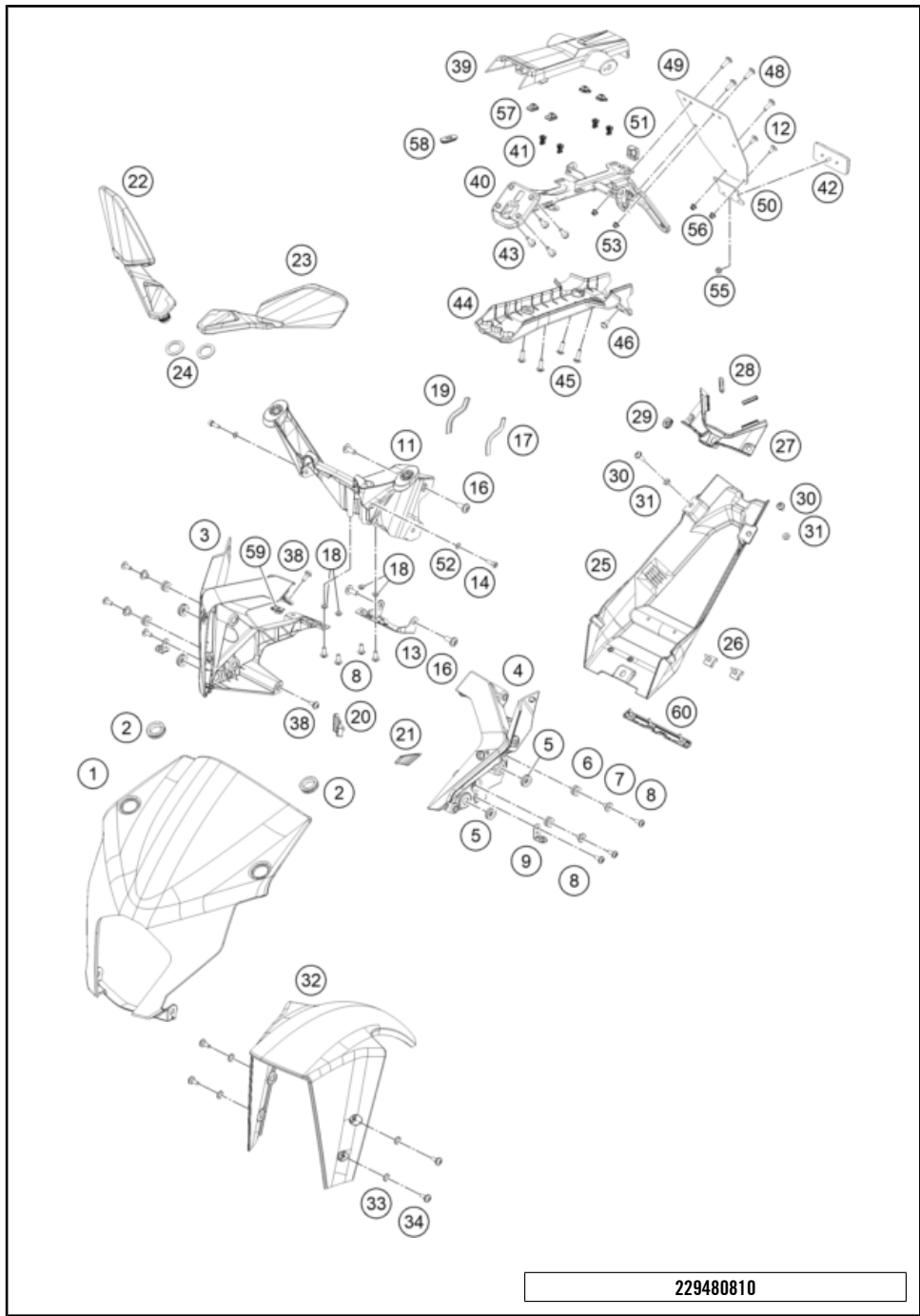
229480810

| POS | PARTNUMBER | PARTNAME | PIECE |
|-----|---------------|---|-------|
| 1 | 94508008000 | WINDSHIELD | 1 |
| 2 | J650003503000 | Rubber grommet 35x29.6 | 2 |
| 3 | 94514011000 | Structure fairing right | 1 |
| 4 | 94514010000 | Structure fairing left | 1 |
| 5 | J650002201400 | GROMMET | 4 |
| 6 | 93014017000 | Rubber bushing | 4 |
| 7 | 93014018100 | Collar head lamp holder MTG | 4 |
| 8 | 93006039000 | Flat-head screw M6 | 10 |
| 9 | 94508047010 | Angle for bracket, side fairing | 2 |
| 11 | 94514013000BM | Mask support bracket | 1 |
| 12 | J005050123 | FLAT HEAD SCREW M5X12 PH | 2 |
| 13 | 94514013010 | Cover, mask support | 1 |
| 14 | J912060183 | hexagon socket screw M6X18 | 2 |
| 16 | J900000801901 | SCREW BUTTON HEAD M8X1.25 | 4 |
| 17 | 94514013030 | Edge protection, mask support, left | 1 |
| 18 | 90113055010 | sleeve for hose clamp | 4 |
| 19 | 94514013040 | BEADING RH | 1 |
| 20 | 94514011010 | Damper, windshield, right | 1 |
| 21 | 94514010010 | Damper, windshield, left | 1 |
| 22 | 94512041033 | Mirror, right, preass. | 1 |
| 23 | 94512040033 | Mirror, left, preass. | 1 |
| 24 | J690002400100 | WASHER PLAIN | 2 |
| 25 | 94508019000 | Tray under | 1 |
| 26 | 94508019001 | Fuel tank rubber | 2 |
| 27 | 94508019010 | Cover rear fairing, bottom | 1 |
| 28 | 94508030000 | Edge protection | 2 |
| 29 | J650002001400 | Rubber grommet | 1 |
| 30 | 90808043000 | SPECIAL SCREW M6X1X16 | 2 |
| 31 | J800000600701 | Collar bushing 6.2x6.5 | 1 |
| 32 | 56JY6JX3 | Dummy_SPC_Bajajteil FR FENDER JY181428 W/O HOLE BL | 1 |
| 33 | 93009059000 | Washer nylon | 4 |
| 34 | J031050161 | Panhead screw with shoulder | 4 |
| 38 | 93008040000 | Screw M6X1X13 | 2 |
| 39 | 94508015010 | License plate holder support, top | 1 |
| 40 | 94508015030 | License plate holder support | 1 |
| 41 | J340001201100 | Metallic quick lock | 4 |
| 42 | 90514045000 | REFLECTOR | 1 |

59501

* NEW PART

X ON DEMAND



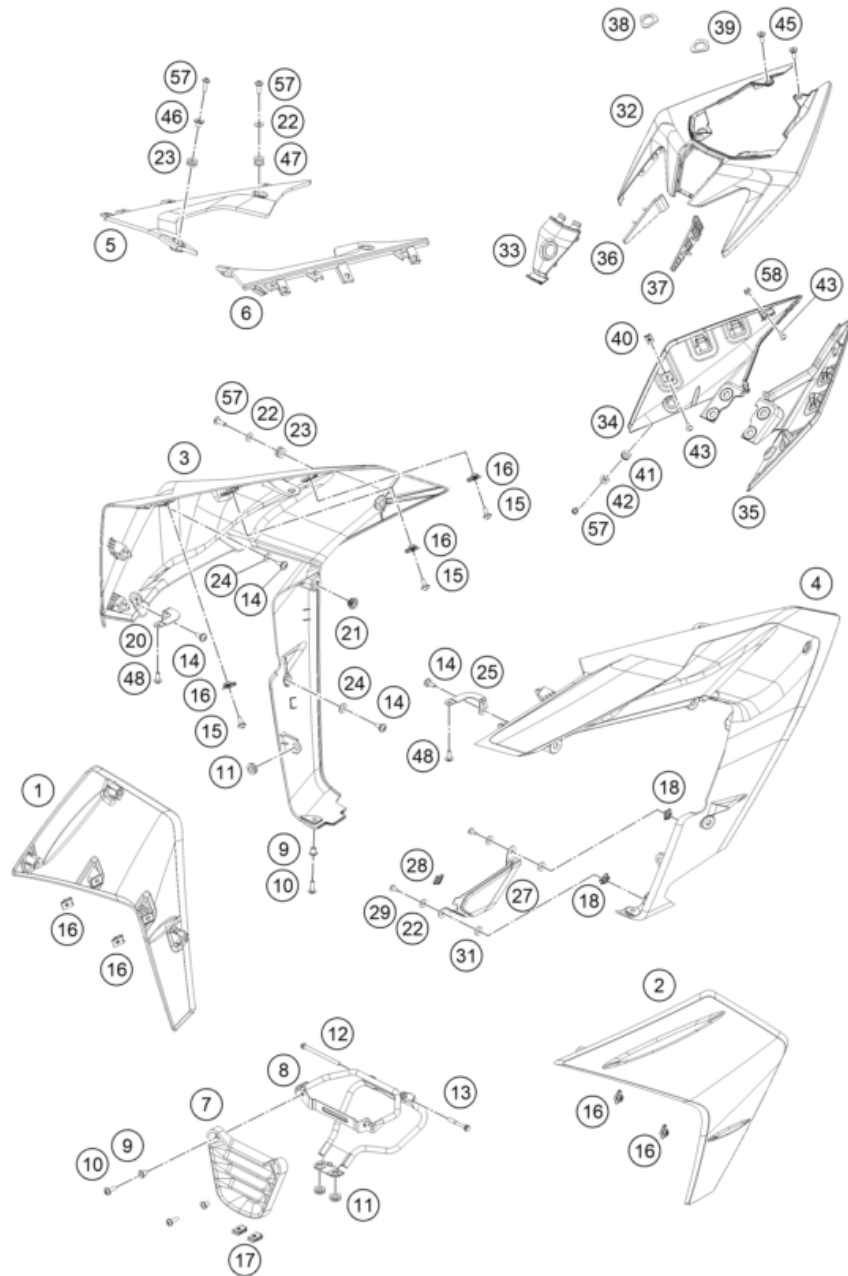
229480810

| POS | PARTNUMBER | PARTNAME | PIECE |
|-----|---------------|-----------------------------------|-------|
| 43 | J025060202 | Bolt-Flange-Kad ST-A DIA-06 L-20 | 4 |
| 44 | 94508015020 | License plate holder, bottom part | 1 |
| 45 | 93008040000 | Screw M6X1X13 | 4 |
| 46 | 93008020060 | Screw M6X1X9 | 1 |
| 48 | 93014098000 | screw truss-M6X1XL 16Xblack | 4 |
| 49 | 90808016000 | REAR FENDER EXT. | 1 |
| 50 | 90514044000 | REFLECTOR MOUNTING | 1 |
| 51 | 93008015010 | Protection rubber | 1 |
| 52 | J690000600100 | WASHER PLAIN SMALL-6.5X11.5XT0.8 | 2 |
| 53 | 93008036000 | Hexagon nut M6 | 2 |
| 55 | J06923050053 | Hex collar nut, M5 | 1 |
| 56 | 90102031010 | HEX NUT M5 AF8 | 2 |
| 57 | J910000600504 | NUT - CLIP :- M6 | 1 |
| 58 | 93008015060 | grommet | 1 |
| 59 | 90103097000 | clip nut | 2 |
| 60 | 94508019002 | DAMPER | 1 |

59501

* NEW PART

X ON DEMAND



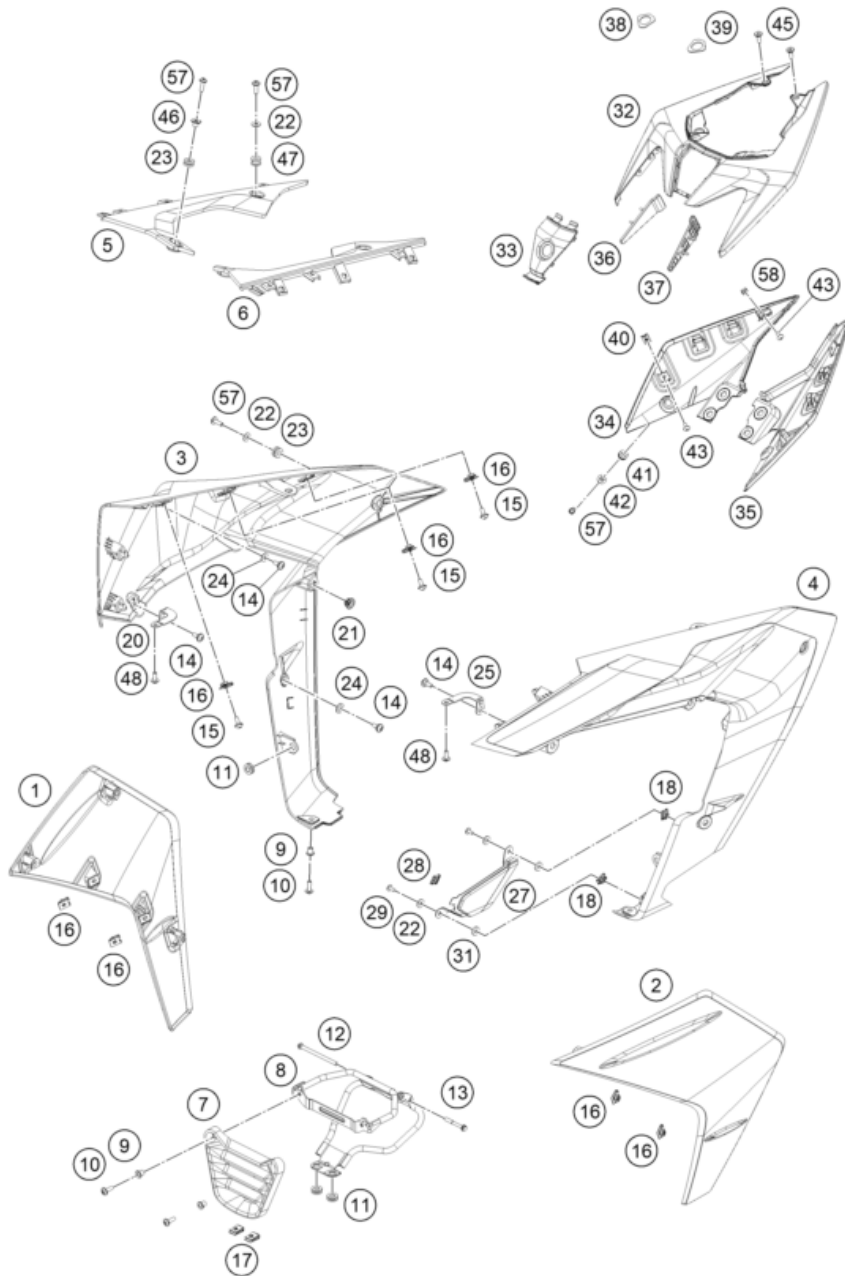
| POS | PARTNUMBER | PARTNAME | PIECE |
|-----|---------------|---|-------|
| 1 | 56JYF96W | Dummy_SPC_Bajajteil OUT FAIRING RH JY181349BLK MET | 1 |
| 2 | 56JYF86W | Dummy_SPC_Bajajteil OUT FAIRING LH JY181348BLK MET | 1 |
| 3 | 94508051000C1 | INNER FAIRING RH JY181347 EBONY BLACK | 1 |
| 4 | 94508050000C1 | INNER FAIRING LH JY181346 EBONY BLACK | 1 |
| 5 | 94508027010 | Side fairing, inner, top, right | 1 |
| 6 | 94508026010 | Side fairing, inner, top, left | 1 |
| 7 | 94508020000 | BELLY PAN MIDDLE | 1 |
| 8 | 94508043010 | BRACKET ASSY BELLY PAN MIDDLE | 1 |
| 9 | 93808027000 | SLEEVE | 4 |
| 10 | 90508006003 | AH SCREW M6X1X20 | 10 |
| 11 | 93808026100 | GROMMET BELLY PAN | 4 |
| 12 | J900000609000 | BOLT-FLANGED-SMALL | 1 |
| 13 | J900000604502 | BOLT-FLANGED-SMALL | 1 |
| 14 | J031050161 | Panhead screw with shoulder | 6 |
| 15 | J900000601200 | Oval head screw M6x12 | 6 |
| 16 | 90103097000 | clip nut | 10 |
| 17 | J910000600600 | CLIP NUT M6 | 1 |
| 18 | 90108050001 | CLIP NUT M5 | 2 |
| 20 | 94508048000 | Bracket, side fairing, right | 1 |
| 21 | 93011068010 | Rubber grommet ignition lock cover | 2 |
| 22 | J125070004 | washer plain-id6.5xod16xthk1xblk | 6 |
| 23 | 93014017000 | Rubber bushing | 4 |
| 24 | J125100009 | Washer M10 | 4 |
| 25 | 94508047000 | Bracket, side fairing, left | 1 |
| 27 | 94508041050 | COVER CATALYST | 1 |
| 28 | 27005211011 | Absorbing element silicone IN | 1 |
| 29 | J900000501403 | Roundhead screw M5x14 | 2 |
| 31 | 90505090050 | WASHER ASBESTOS | 2 |
| 32 | 94508018001C1 | SEAT COWL TOP JY181353 EBONY BLACK | 1 |
| 33 | 94508018050 | Seat lock, cover | 1 |
| 34 | 94508018010C1 | SEAT COWL BOTTOM RH JY181352 EBONY BLACK | 1 |
| 35 | 94508018020C1 | SEAT COWL BOTTOM LH JY181351 EBONY BLACK | 1 |
| 36 | 94508018040 | Frame cover right | 1 |
| 37 | 94508018030 | Frame cover left | 1 |
| 38 | 94508018070 | FOAM RH | 1 |

229460820

59984

* NEW PART

X ON DEMAND



| POS | PARTNUMBER | PARTNAME | PIECE |
|-----|---------------|----------------------------------|-------|
| 39 | 94508018060 | FOAM LH | 1 |
| 40 | 90108050001 | CLIP NUT M5 | 2 |
| 41 | 95835016000 | Rubber grommet | 2 |
| 42 | J800000600700 | COLLAR FAIRING - K10 | 1 |
| 43 | J031050123 | Lens head screw M5X12 | 4 |
| 45 | J900000601403 | BOLT SOCKET STEP M6X1 | 1 |
| 46 | 93014018100 | Collar head lamp holder MTG | 2 |
| 47 | J650001701300 | GROMMET | 2 |
| 48 | 93006039000 | Flat-head screw M6 | 2 |
| 57 | J900000602004 | Set screw w.hexagon socket M6x20 | 8 |
| 58 | 95808041020 | Special nut | 2 |

229460820

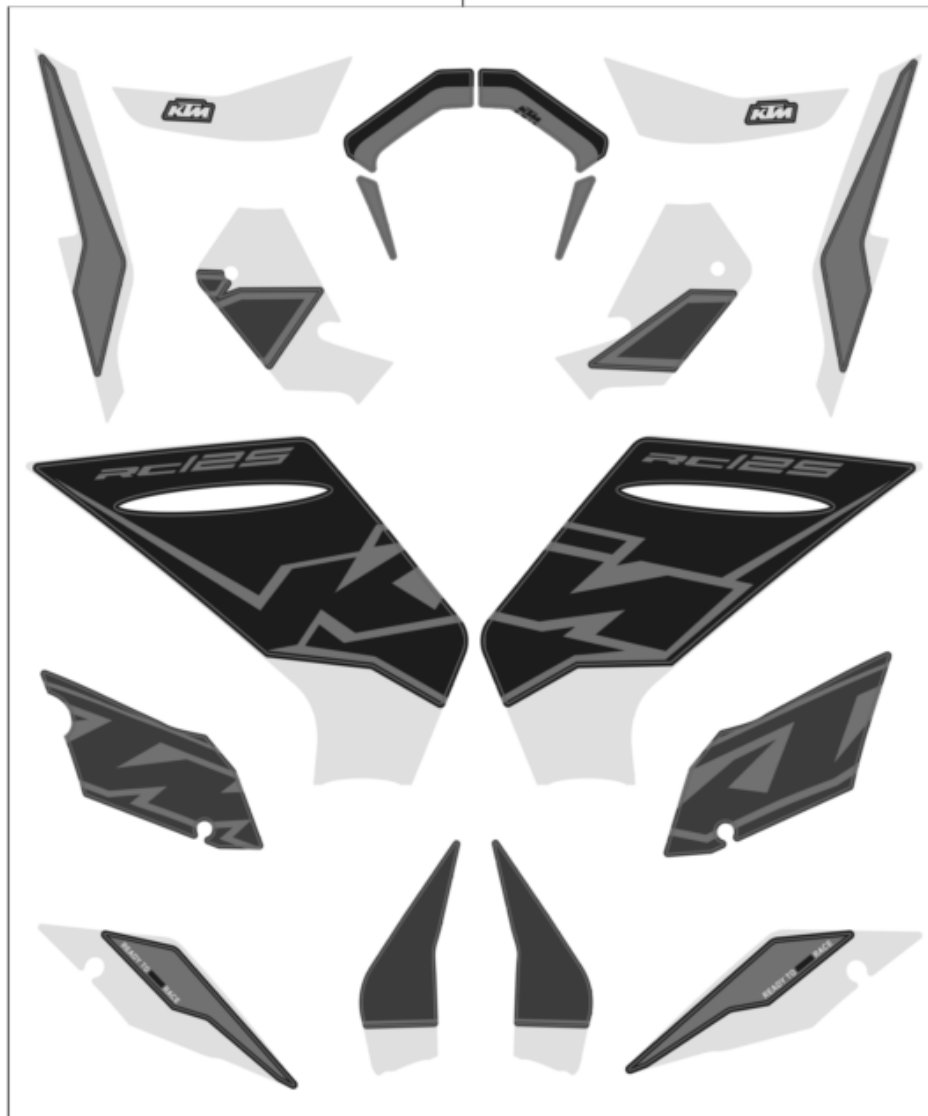
59984

* NEW PART

X ON DEMAND

DECAL

RC 125, black 2022 EU 2022



| POS | PARTNUMBER | PARTNAME | PIECE |
|-----|-------------|----------------------------|-------|
| 1 | 94508099100 | Aufkleber Set 125 RC black | 1 |

229450830

59980

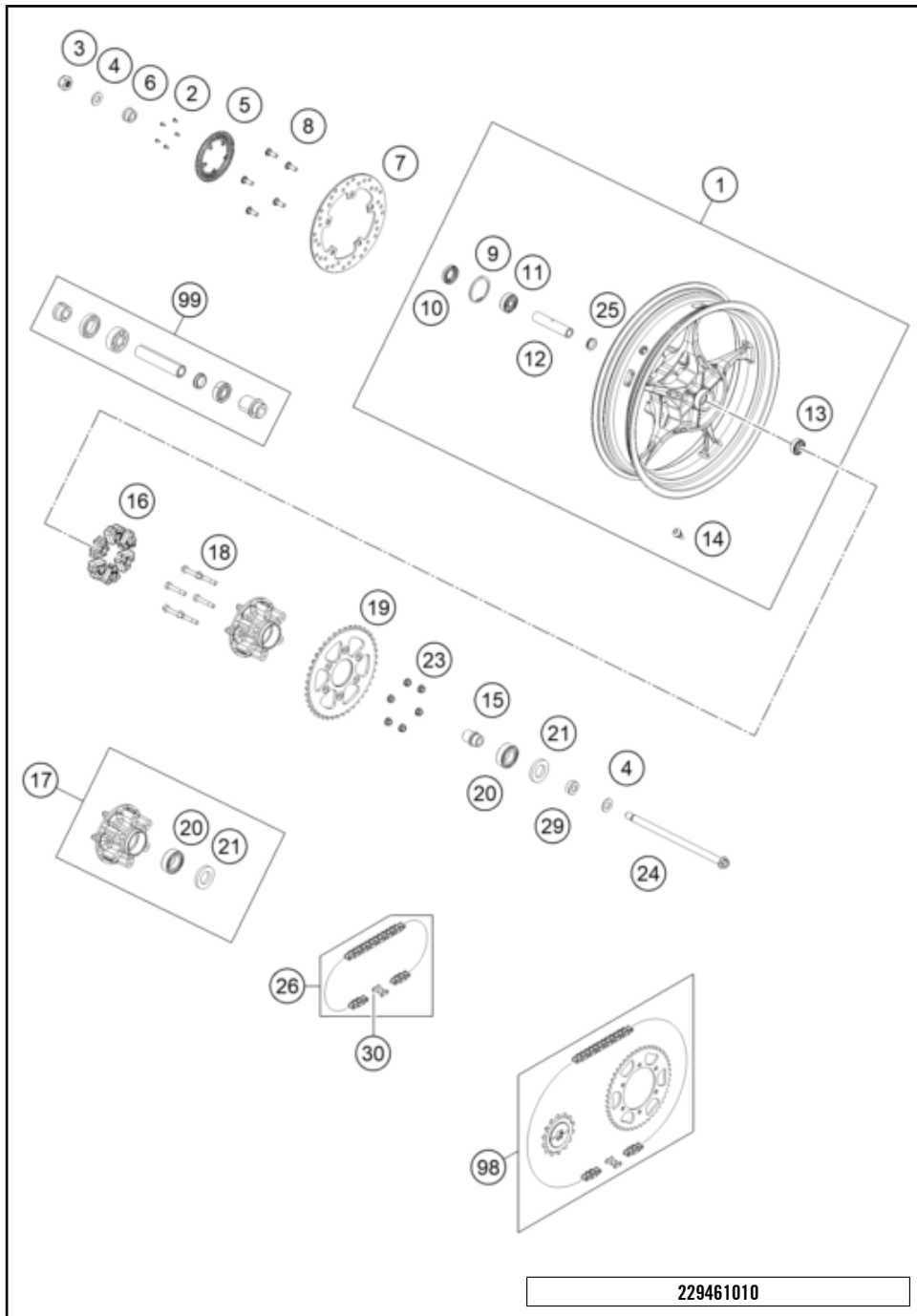
* NEW PART

X ON DEMAND

CHASSIS 20

REAR WHEEL

RC 125, black 2022 EU 2022



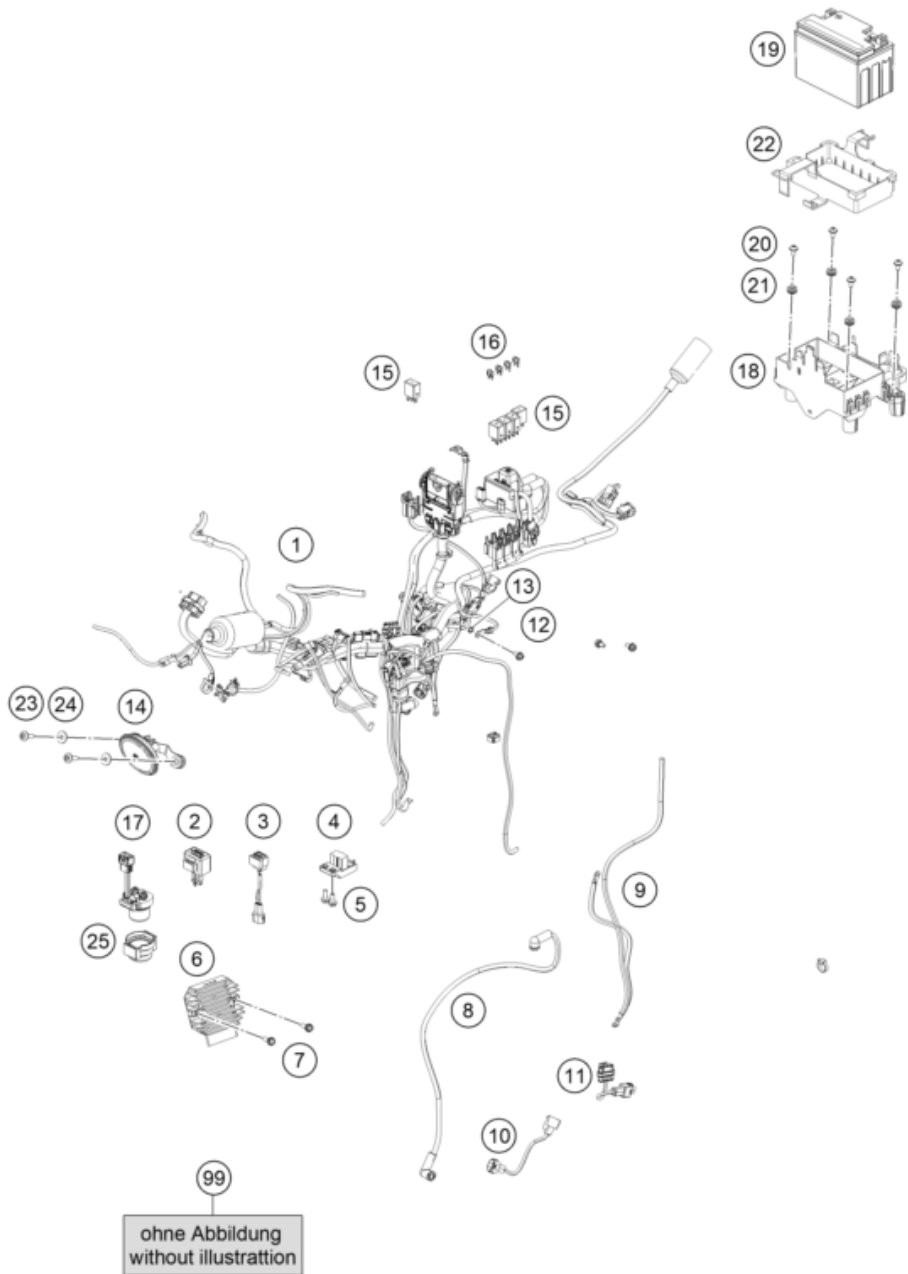
229461010

| POS | PARTNUMBER | PARTNAME | PIECE |
|-----|-----------------|--------------------------------|-------|
| 1 | 94510001044EB | Hinterrad kpl. | 1 |
| 2 | J900000500800 | BOLT SOCKET M5X0.8 | 5 |
| 3 | 90210086000 | wheel spindle nut, rear | 1 |
| 4 | 90610087000 | washer 15.2x30x2 | 2 |
| 5 | 94542020000 | Sensor wheel, front | 1 |
| 6 | 90110013000 | SPACER BUSHING REAR WHEEL R/S | 1 |
| 7 | 94510060000 | DISC BRAKE DIA 230 | 1 |
| 8 | 90110062000 | SPECIAL SCREW M8X25 SELF LOCK. | 5 |
| 9 | J472042170 | CIRCLIP | 1 |
| 10 | J760264208 | SHAFT SEAL RING 26X42X8 | 1 |
| 11 | J625063021 | Grooved ball bearing 6302 | 1 |
| 12 | 90110011000 | BEARING SPACER TUBE REAR | 1 |
| 13 | J625062023 | BALL BEARING 6202 | 1 |
| 14 | 90109076000 | VALVE CPL. | 1 |
| 15 | 90610054000 | SPACER BUSHING KRT INSIDE | 1 |
| 16 | 90210059100 | rear wheel dampening rubber | 6 |
| 17 | 90210050000 | SPROCKET SUPPORT | 1 |
| 18 | 90810052000 | SPECIAL SCREW M8X48 | 6 |
| 19 | 95810051045 | Rear sprocket 45T | 1 |
| 20 | J625062050 | BALL BEARING 6205 | 1 |
| 21 | J760295207 | SHAFT SEAL RING 29X52X7 | 1 |
| 23 | 90510052000 | FLANGED NUT M8X1,25 | 6 |
| 24 | 90210085000 | Axle rear KT03 | 1 |
| 25 | 90109011001 | Fixation bearing spacer tube | 1 |
| 26 | 76910065118 | chain DID 118 roll | 1 |
| 29 | 90110053000 | SPACER CHAIN WHEEL SUPPORT | 1 |
| 30 | 76910066000 | Rivet link chain DID 520 VP2-T | 1 |
| 98 | SPA2142453K118B | Drivetrain set 14Z/45Z | 1 |
| 99 | 90110015100 | REAR WHEEL REP. KIT 390 DUKE | x |

59978

* NEW PART

X ON DEMAND



| POS | PARTNUMBER | PARTNAME | PIECE |
|-----|---------------|-------------------------------|-------|
| 1 | 94511075000 | Main wiring harness | 1 |
| 2 | 90511030000 | indicator relay | 1 |
| 3 | 28111096000 | Transil unit | 1 |
| 4 | 93541088000 | rollover sensor | 1 |
| 5 | J025060169 | HH COLLAR SCREW M6X16 SW8 | 2 |
| 6 | 90511034000 | voltage regulator | 1 |
| 7 | J025060303 | FLANGED BOLT M6X30 WS10 | 2 |
| 8 | 94511059000 | cable relay-motor starter | 1 |
| 9 | 94511063000 | cable earth | 1 |
| 10 | 93041080050 | Cable | 1 |
| 11 | 93511084000 | PIGTAIL PH-3 FUEL PUMP | 1 |
| 12 | J025060122 | Hex collar screw M6X12 | 3 |
| 13 | J797060003 | TOOTHED WASHER M6 | 3 |
| 14 | 94511060000 | horn | 1 |
| 15 | 90611057000 | relay (interlock) | 5 |
| 16 | 75011088010 | FUSE 10A 07 | 11 |
| 16 | 75011088015 | FUSE 15A 07 | 4 |
| 16 | 75011088030 | FUSE 30A | 1 |
| 17 | 93011058000 | Starter relais | 1 |
| 18 | 94511054000 | electric carrier | 1 |
| 19 | 90611053000 | BATTERY 12V/8AH | 1 |
| 20 | 90508006001 | SOCKET HEAD BOLT M6X12 | 4 |
| 21 | 60006001022 | rubber grommet 9x11x16x8.5 mm | 4 |
| 22 | 94511055000 | battery grommet box | 1 |
| 23 | J900000602400 | BOLT SOCKET M6X1 | 2 |
| 24 | J690000600200 | washer plain | 2 |
| 25 | 93311058000 | Rubber damper starter relay | 1 |
| 99 | 90838091000 | Pigtail oil pressure switch | 1 |
| 99 | 93042033000 | Cable earth ABS | 1 |

229461110

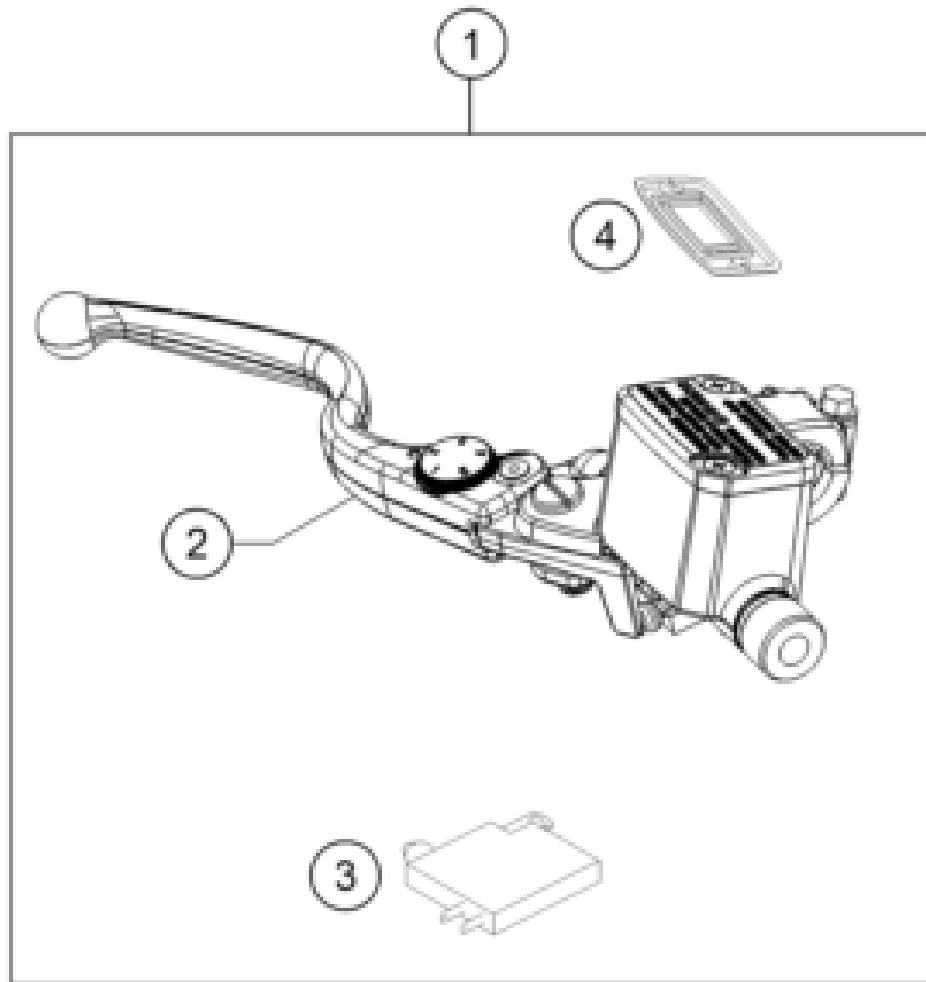
59963

* NEW PART

X ON DEMAND

FRONT BRAKE CONTROL

RC 125, black 2022 EU 2022



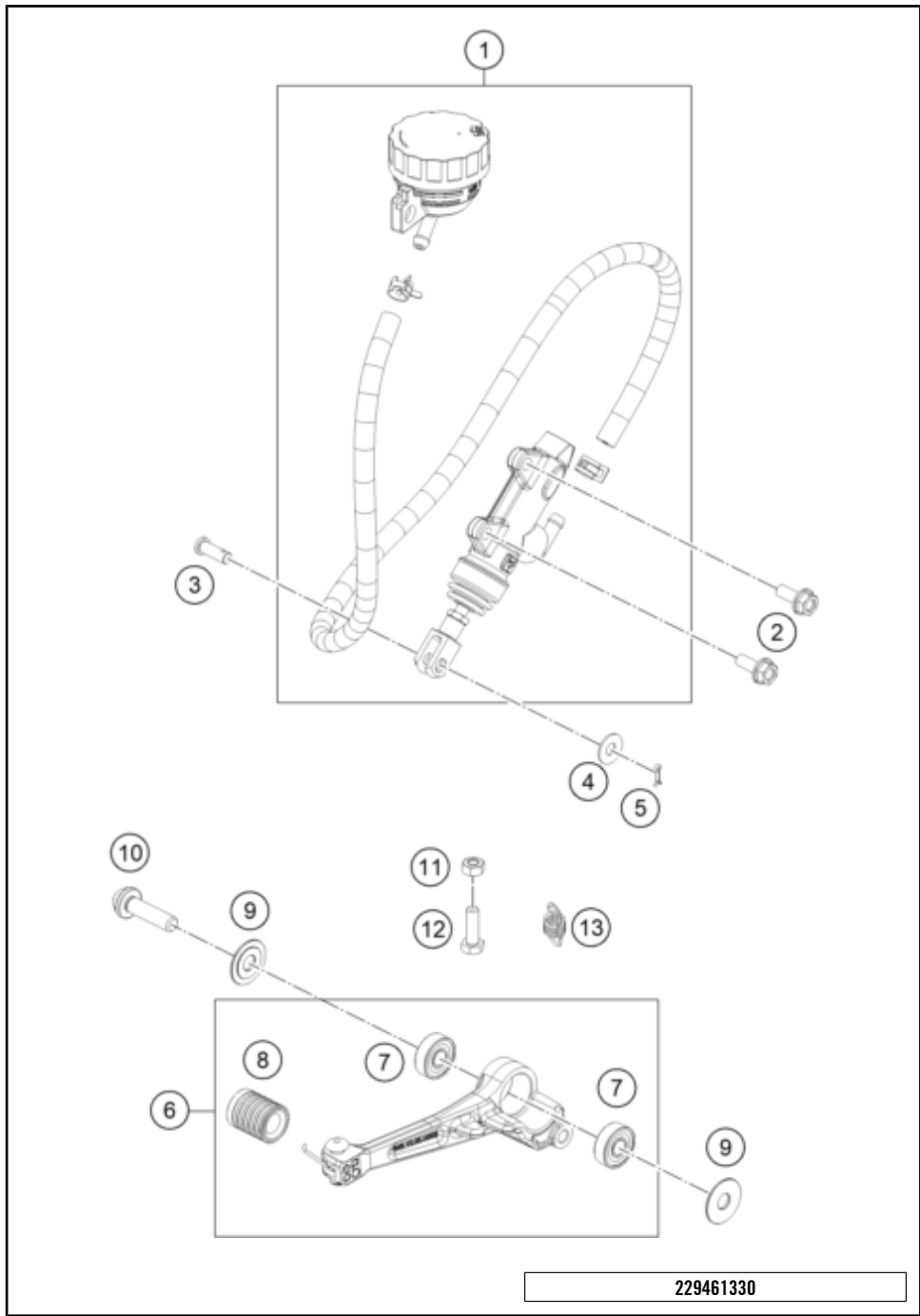
| POS | PARTNUMBER | PARTNAME | PIECE |
|-----|-------------|---------------------------|-------|
| 1 | 93713001000 | MASTER CYLINDER CPL. | 1 |
| 2 | 93713002033 | Brake lever cpl. | 1 |
| 3 | 90111050000 | brake light switch, front | 1 |
| 4 | 90113001007 | MEMBRANE | 1 |

229481310

58369

* NEW PART

X ON DEMAND



| POS | PARTNUMBER | PARTNAME | PIECE |
|-----|---------------|-------------------------------|-------|
| 1 | 94813060033 | CYLINDER ASSEMBLY MASTER REAR | 1 |
| 2 | 90130059000 | HH COLLAR SCREW M6X16 | 2 |
| 3 | J920000602100 | pin clevis dia 6 | 1 |
| 4 | J125070001 | Washer nylon 6.5X16X1 | 1 |
| 5 | J094020153 | splint pin 2x15mm | 1 |
| 6 | 94513050044 | Rear brake lever compl. | 1 |
| 7 | J625060800 | BALL BEARING 608 | 2 |
| 8 | 95834035000 | Pedal rubber | 1 |
| 9 | 90534031020 | WASHER SHIFTING LEVER | 2 |
| 10 | 90534034300 | BOLT SHIFT LEVER | 1 |
| 11 | J934060001 | nut hex thick | 1 |
| 12 | J900000602003 | BOLT-KAA ST-D DIA-06 L-20 | 1 |
| 13 | 90113052000 | brake pedal spring | 1 |

229461330

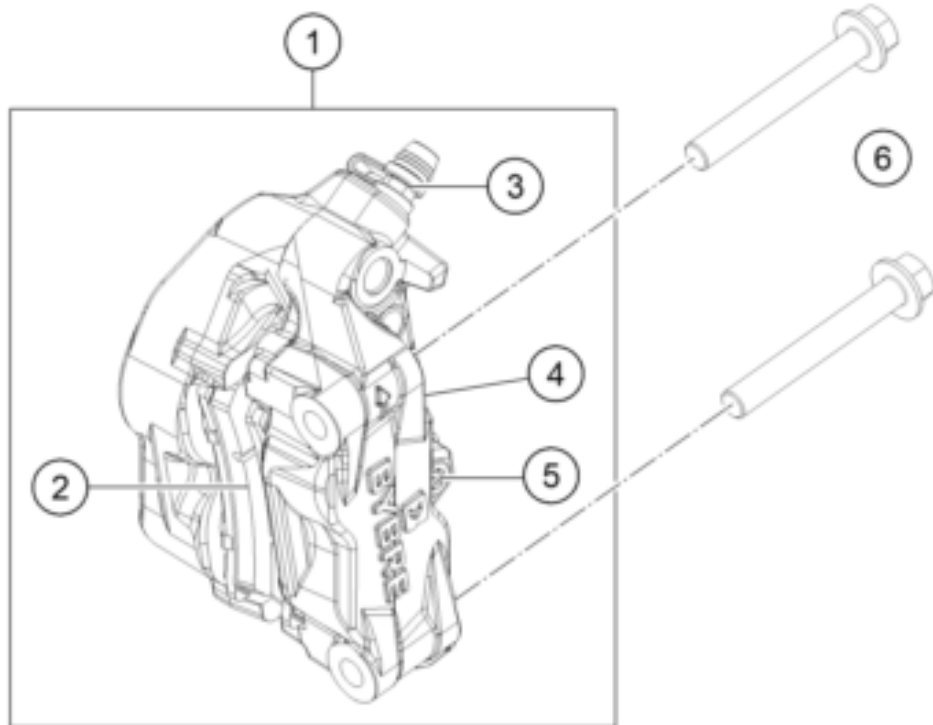
57863

* NEW PART

X ON DEMAND

FRONT BRAKE CALIPER

RC 125, black 2022 EU 2022



| POS | PARTNUMBER | PARTNAME | PIECE |
|-----|-------------|-------------------------------|-------|
| 1 | 94513015000 | CALIPER ASSEMBLY FRONT | 1 |
| 2 | 93813030044 | KIT FRONT BRAKE PAD WITH SHIM | 1 |
| 3 | 90113021000 | BLEEDER SCREW | 1 |
| 4 | 90113018000 | SPRING CLIP | 1 |
| 5 | 90113017000 | BOLT F. BRAKE PADS | 1 |
| 6 | J01008060S | HH collar screw M8x1x60 | 2 |

229461360

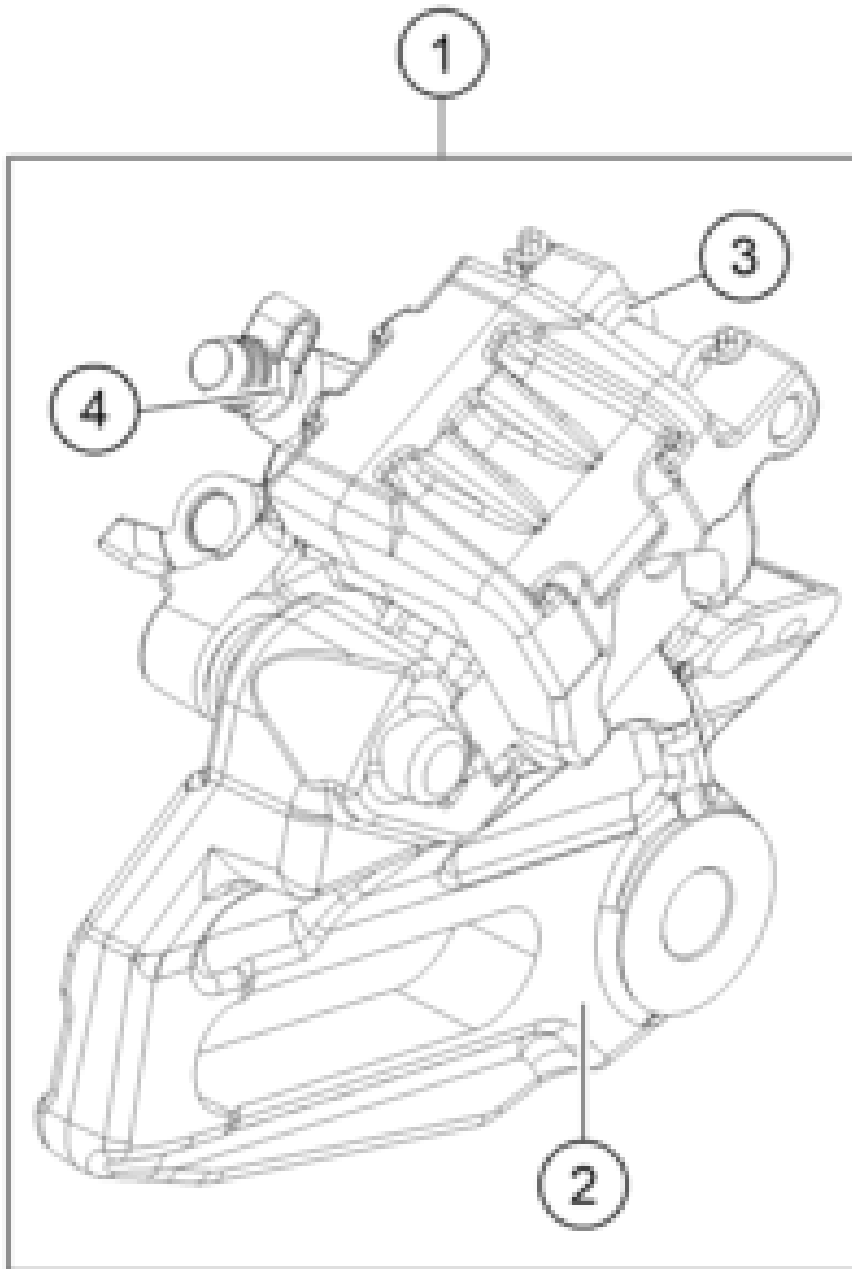
57859

* NEW PART

X ON DEMAND

REAR BRAKE CALIPER

RC 125, black 2022 EU 2022



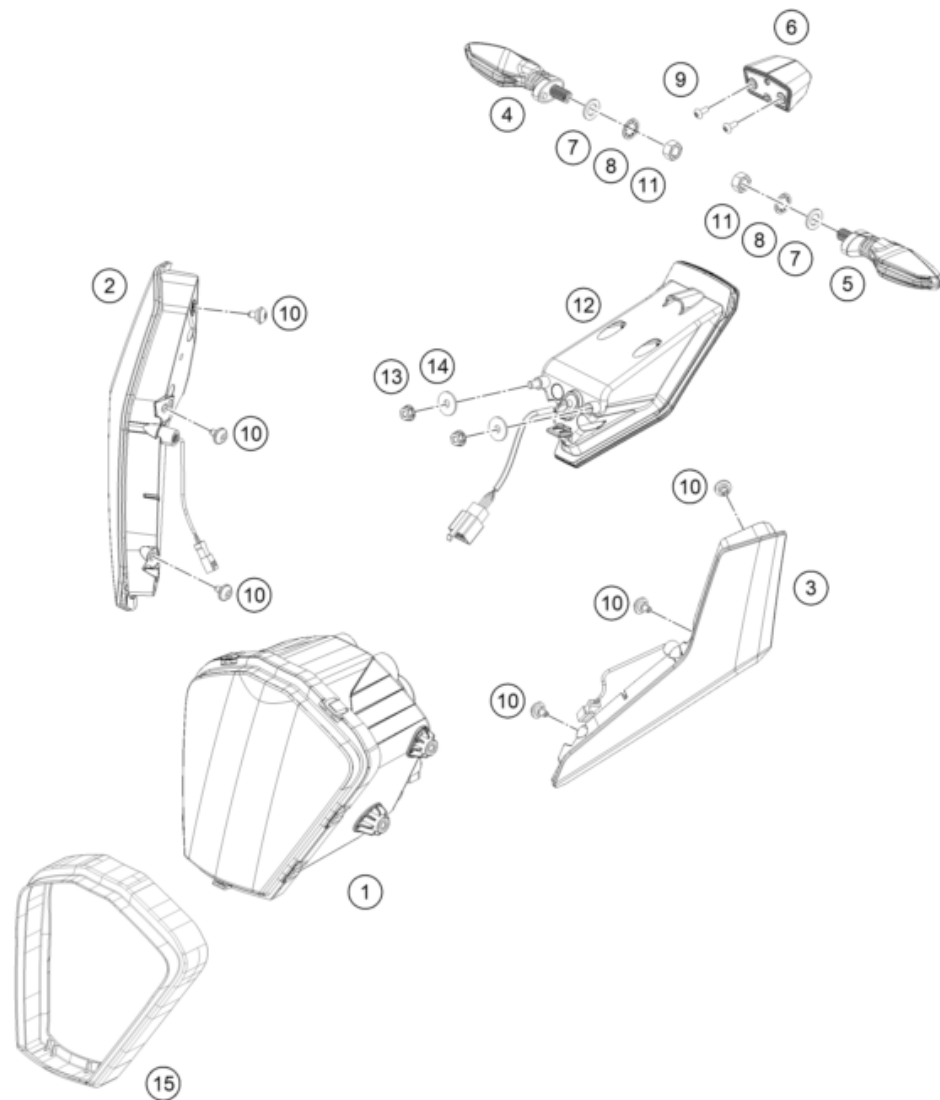
| POS | PARTNUMBER | PARTNAME | PIECE |
|-----|-------------|----------------------------|-------|
| 1 | 94513080000 | CALIPER ASSEMBLY REAR | 1 |
| 2 | 90113075000 | BRAKE CALIPER SUPPORT REAR | 1 |
| 3 | 90113090000 | REAR BRAKE PADS - SET | 1 |
| 4 | 90113121000 | BLEEDER SCREW | 1 |

229461390

57860

* NEW PART

X ON DEMAND



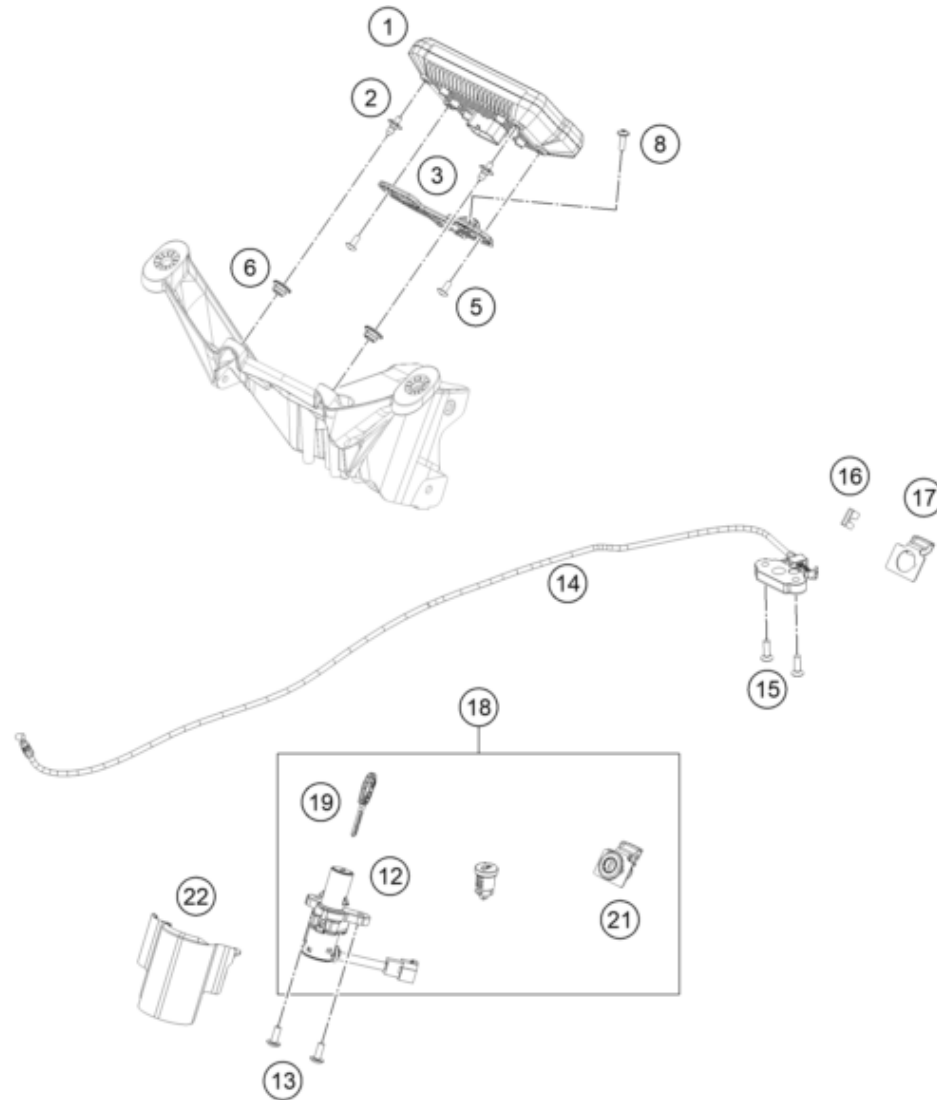
| POS | PARTNUMBER | PARTNAME | PIECE |
|-----|---------------|--------------------------------|-------|
| 1 | 94814001000 | lamp head | 1 |
| 2 | 94514026000 | Front right turn signal | 1 |
| 3 | 94514025000 | Front left turn signal | 1 |
| 4 | 90514036100 | FLASHER REAR R/S | 1 |
| 5 | 90514035100 | FLASHER REAR L/S | 1 |
| 6 | 90114047000 | LICENSE PLATE ILLUMINATION | 1 |
| 7 | J125100009 | Washer M10 | 2 |
| 8 | J06797100183 | Toothed washer, M10 | 2 |
| 9 | J081040121 | CROSS PAN SCREW 4X12 PH | 4 |
| 10 | J900000500900 | Screw button head step M5x6.5 | 6 |
| 11 | J934100001 | Hex nut, M10 | 2 |
| 12 | 94514040000 | Tail light | 1 |
| 13 | J926060000 | FLANGED NUT M6 WS10 SELF LOCK. | 2 |
| 14 | 90814044000 | PLAIN WASHER | 2 |
| 15 | 94814001050 | beading lamp head | 1 |

229461410

58357

* NEW PART

X ON DEMAND



| POS | PARTNUMBER | PARTNAME | PIECE |
|-----|---------------|-------------------------------|-------|
| 1 | 94814069000 | Dash | 1 |
| 2 | 94514060010 | PIN SPIGOT | 2 |
| 3 | 94614060000 | BRACKET SPEEDOMETER | 1 |
| 5 | J900000501002 | SCREW TRUSS-M5X0.8XL 10XBLACK | 2 |
| 6 | J650002001100 | GROMMET | 2 |
| 8 | J900000601601 | screw m6x1 | 1 |
| 12 | 21011066000 | ADV. 390 IGNITION SWITCH | 1 |
| 13 | J900000601601 | screw m6x1 | 2 |
| 14 | 94507050033 | Seat lock preass. | 1 |
| 15 | J025060183 | HH COLLAR SCREW M6X18 SW10 | 2 |
| 16 | 90107050151 | PLATE SEAT LOCK | 1 |
| 17 | 90107050051 | seat lock mounting plate | 1 |
| 18 | 94611066044 | LOCK 3 IN 1 WITHOUT CAP EVP | 1 |
| 19 | 90111067100 | BLANK KEY 125/200 DUKE | x |
| 19 | 90111067000 | KEY | 1 |
| 21 | 90107050050 | SEAT LOCK | 1 |
| 22 | 94511068000 | COVER SWITCH IGNITION | 1 |

229461430

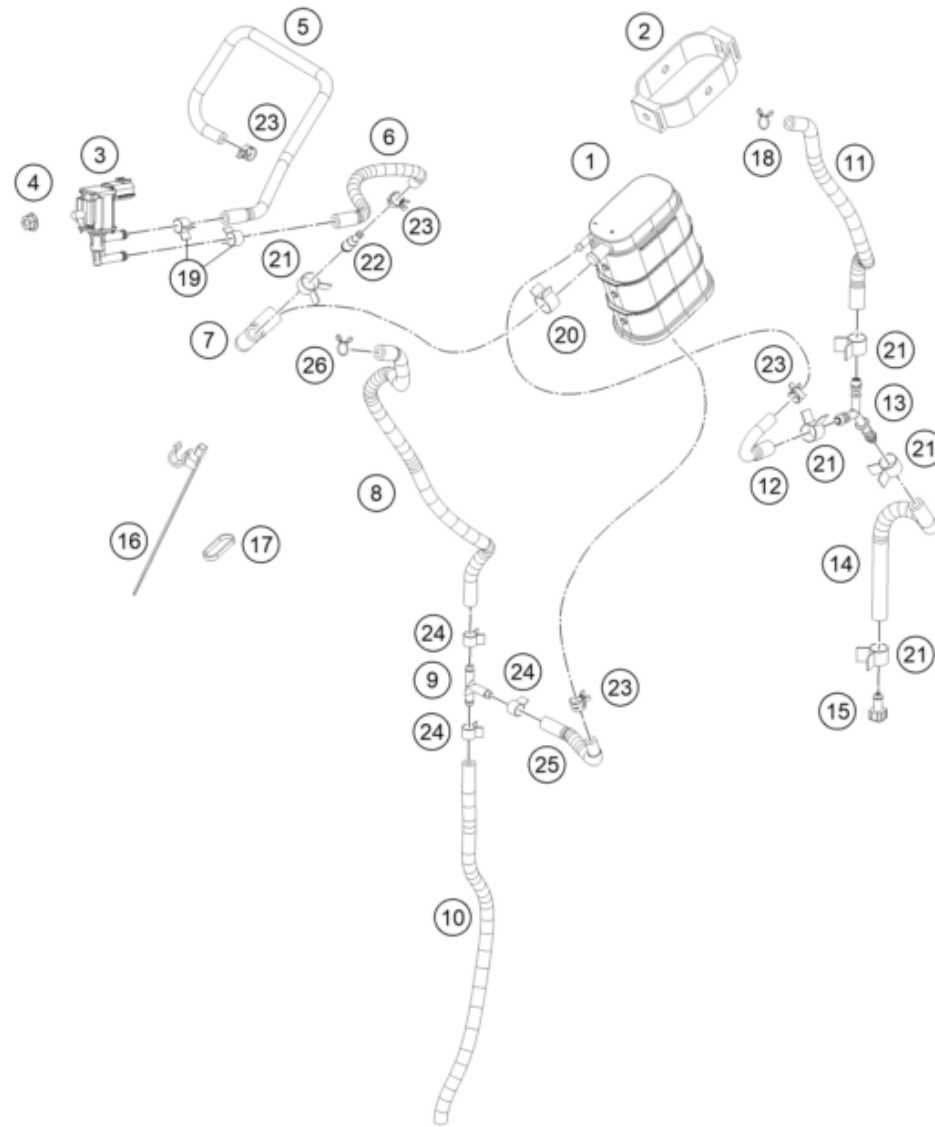
58377

* NEW PART

X ON DEMAND

EVAPORATIVE CANISTER

RC 125, black 2022 EU 2022



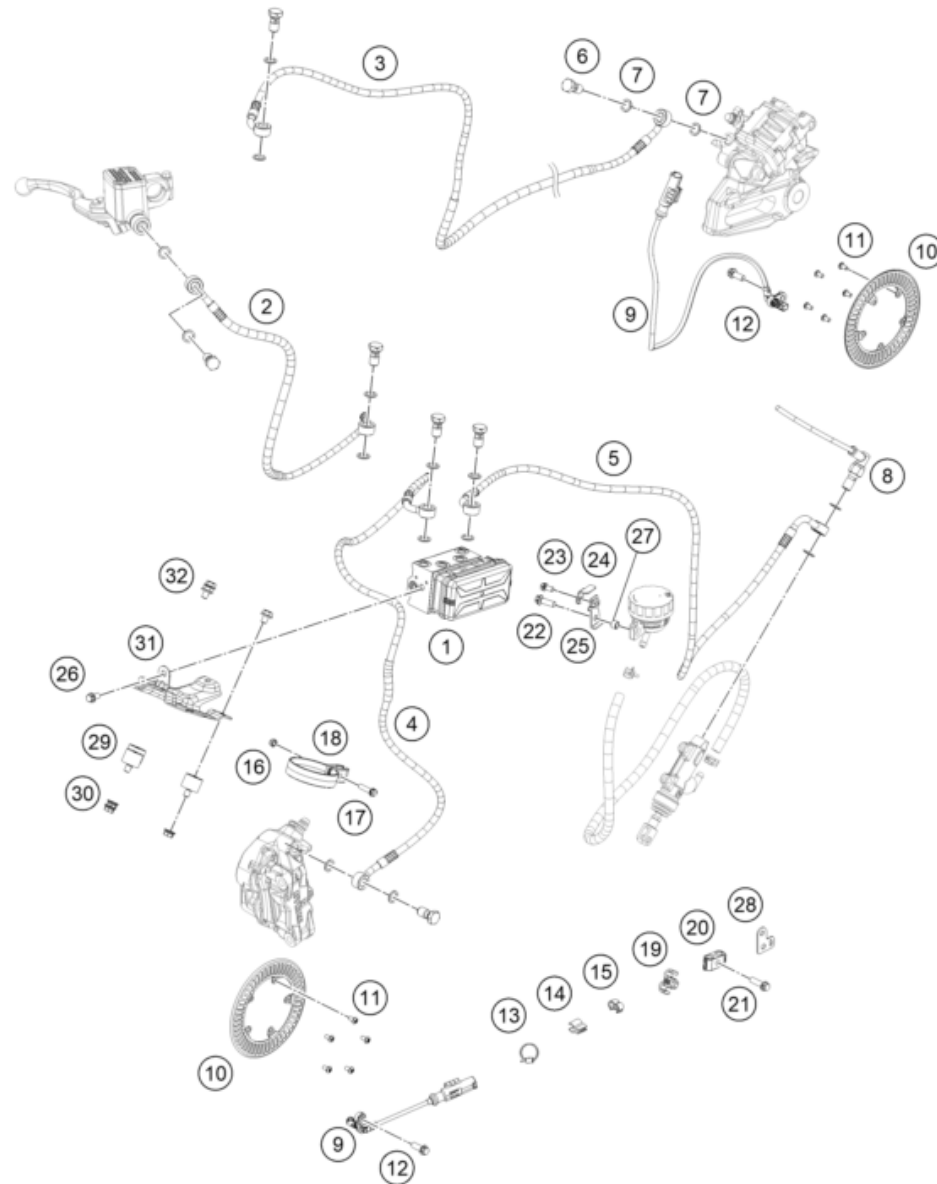
| POS | PARTNUMBER | PARTNAME | PIECE |
|-----|---------------|---------------------------------------|-------|
| 1 | 93015001000 | Activated carbon filter | 1 |
| 2 | 94515002000 | STRAP CANISTER | 1 |
| 3 | 90607830000 | Valve purge | 1 |
| 4 | J926060006 | nut hex flanged | 1 |
| 5 | 94515020432 | PIPE FUEL | 1 |
| 6 | 94515020196 | PIPE FUEL | 1 |
| 7 | 94515020075 | PIPE FUEL | 1 |
| 8 | 94515020383 | Drain hose | 1 |
| 9 | J610000600400 | CONNECTOR FOR BREATHER AND VAPOR TUBE | 1 |
| 10 | J600000532300 | Drain hose | 1 |
| 11 | 94515020275 | PIPE FUEL | 1 |
| 12 | 94515020080 | PIPE FUEL | 1 |
| 13 | 90507015000 | CONNECTOR Y SHAPE | 1 |
| 14 | 94515020186 | PIPE FUEL | 1 |
| 15 | 90515011000 | PLUG FUEL DRAIN | 1 |
| 16 | 95835068000 | Strap-clip swivel | 1 |
| 17 | 90111093200 | BAND (LENGTH 200MM) | 1 |
| 18 | 90107013008 | CLAMP | 1 |
| 19 | 90107018011 | CLAMP 10MM | 2 |
| 20 | 90607017001 | SPRING BAND CLAMP 15X10 | 1 |
| 21 | 90607017003 | SPRING BAND CLAMP D13 | 5 |
| 22 | 90207016004 | CONNECTOR TUBE EVAP | 1 |
| 23 | J300000801000 | Spring clip 9.5 | 4 |
| 24 | 90607017002 | CLAMP D9 | 4 |
| 25 | 94515020092 | Drain hose | 1 |
| 26 | 90507017000 | HOSE CLAMP | 1 |

229461510

57849

* NEW PART

X ON DEMAND



| POS | PARTNUMBER | PARTNAME | PIECE |
|-----|---------------|----------------------------------|-------|
| 1 | 94542031044 | ABS Unit WET | 1 |
| 2 | 94842001000 | Brake line, front | 1 |
| 3 | 94542004000 | Brake line, rear | 1 |
| 4 | 94842003000 | Brake line, front | 1 |
| 5 | 94542002000 | Brake line, rear | 1 |
| 6 | 90113013000 | BANJO SCREW | 7 |
| 7 | 90113026000 | COPPER GASKET | 16 |
| 8 | 90111051000 | brake light switch, rear | 1 |
| 9 | 94142025000 | Sensor speed wheel | 2 |
| 10 | 94542020000 | Sensor wheel, front | 1 |
| 11 | J900000500800 | BOLT SOCKET M5X0.8 | 10 |
| 12 | J900000601606 | BOLT-FLANGE-KAE ST-F DIA-06 L-16 | 2 |
| 13 | 93811093000 | BAND | 3 |
| 14 | 93813147000 | CLAMP FOR BRAKE HOSE | 1 |
| 15 | 93813035000 | CLAMP SENSOR CABLE | 4 |
| 16 | J910000800500 | NUT NYLOC-M5X0.8XHT. 4.5XCL6XBLK | 1 |
| 17 | J025050206 | bolt flange-m5x0.8xl20xc110.9xbr | 1 |
| 18 | J320001505300 | CLAMP | 1 |
| 19 | 94513026000 | Brake hose bracket | 1 |
| 20 | 94801085000 | clamp | 2 |
| 21 | J900000602201 | BOLT-FLANGED-SMALL | 2 |
| 22 | J025060181 | Hex collar screw M6X18 | 1 |
| 23 | J025050103 | HH-COLLAR SCREW M5X10 | 1 |
| 24 | 93013068010 | Bracket, reservoir | 1 |
| 25 | 93013068000 | Sheet | 1 |
| 26 | J025060109 | HH-COLLAR SCREW M6X10 SW8 | 2 |
| 27 | 93035065020 | Spacer bushing | 1 |
| 28 | 94513046000 | PLATE CLAMP | 1 |
| 29 | 90106001007 | SILENT BLOCK AIRFILTER | 3 |
| 30 | J926060000 | FLANGED NUT M6 WS10 SELF LOCK. | 3 |
| 31 | 94142040000 | ABS module holder | 1 |
| 32 | J900000601801 | bolt-flange-kad st-f dia-06 l-08 | 3 |

229464210

57857

* NEW PART

X ON DEMAND



KTM.COM



F5003V1EN

KTM Sportmotorcycle GmbH
5230 Mattighofen, Austria
www.ktm.com

KTM POWERPARTS

KTM POWERWEAR

KTM ORIGINAL SPARE PARTS



Art. Nr.: F5003V1EN 8. Mär. 2022