

# RC 390, blue 2023 EU 2023

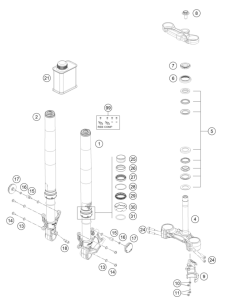
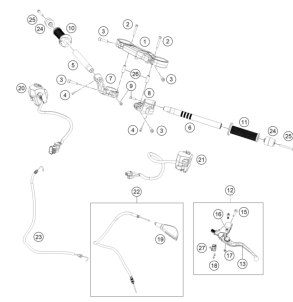
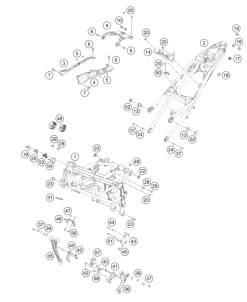
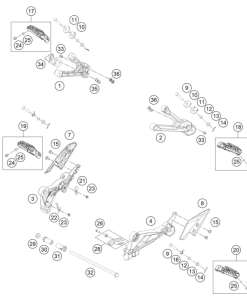
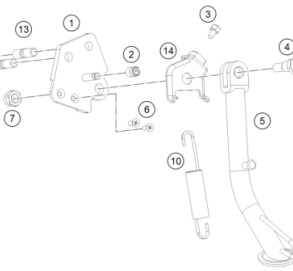
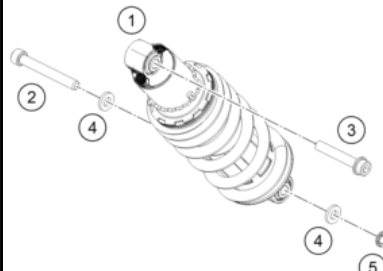
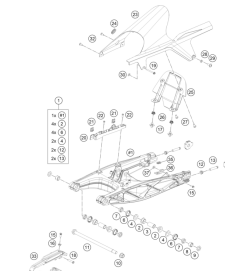
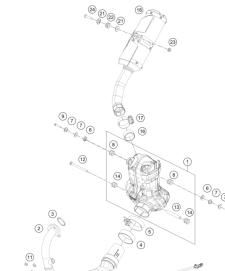
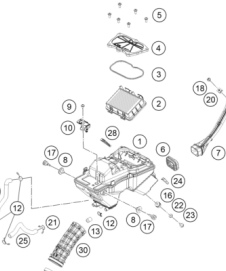
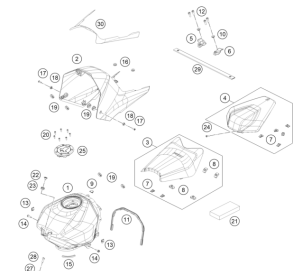
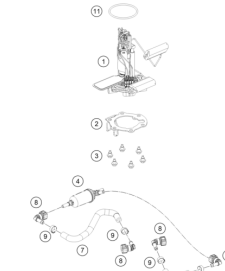
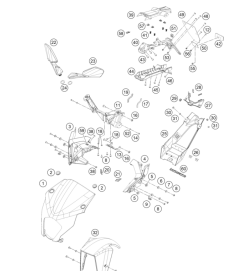
ART.-NR.: F5303W2EN

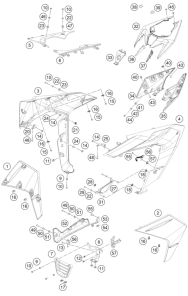

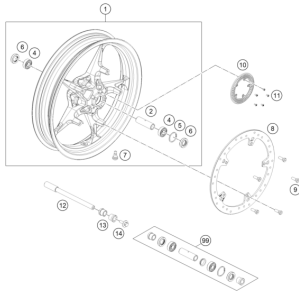
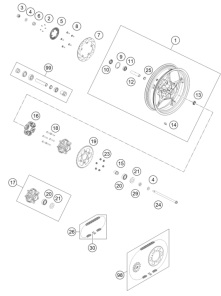
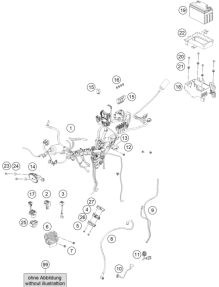
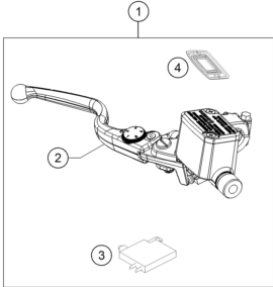
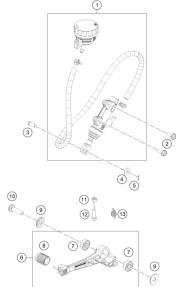
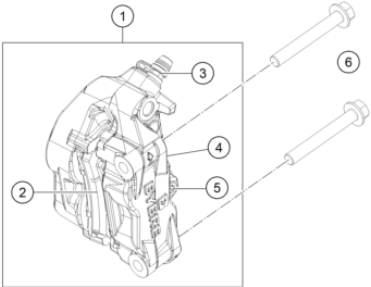
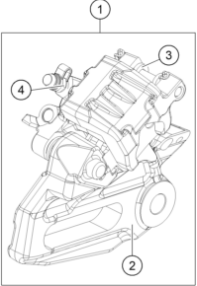
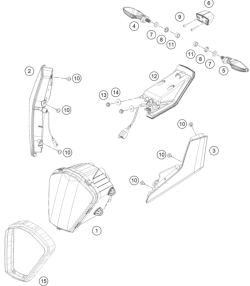
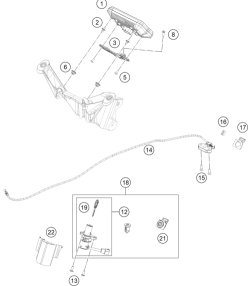
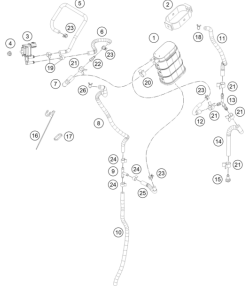


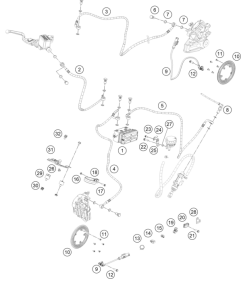


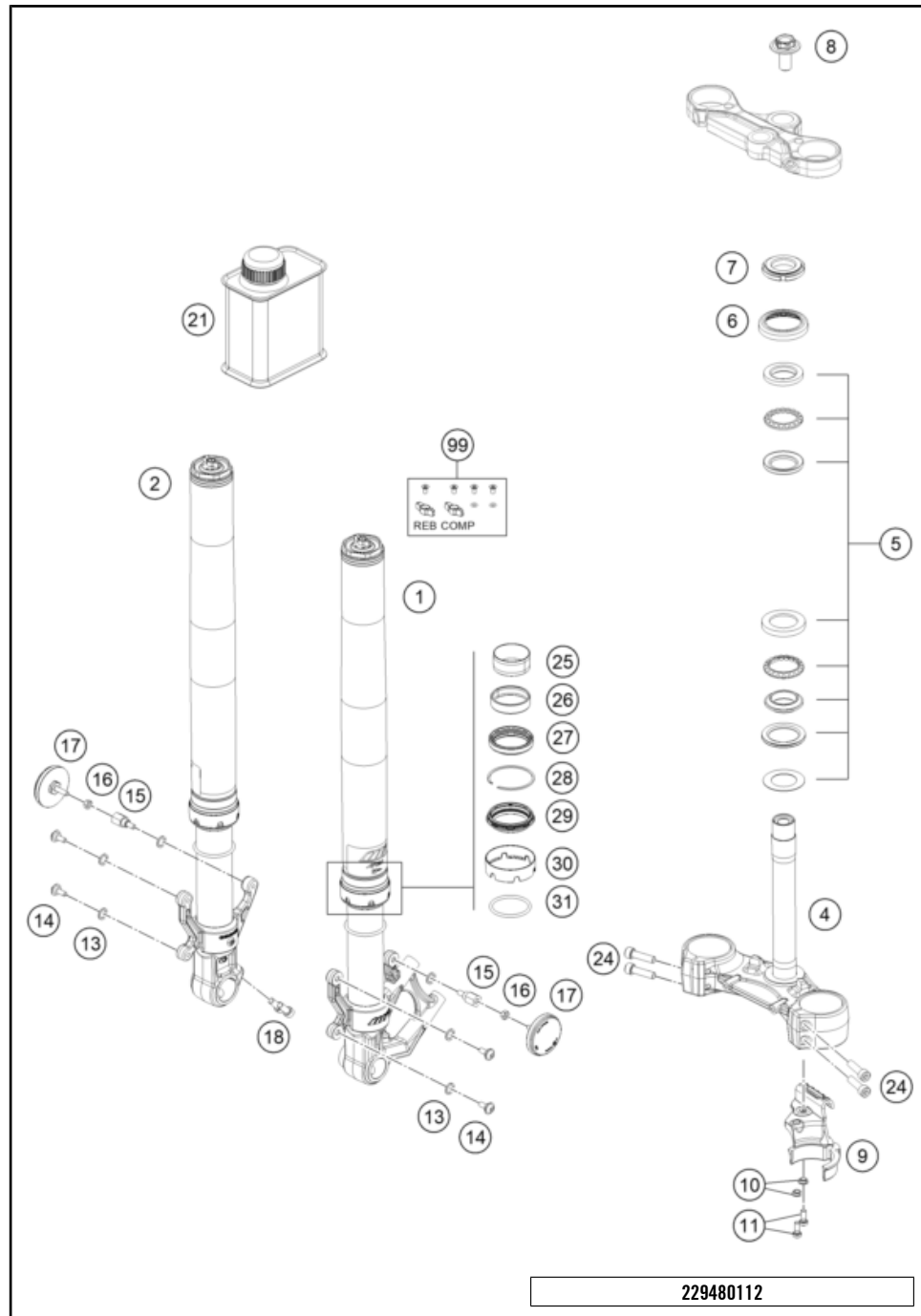
All information contained is without obligation. KTM Sportmotorcycle GmbH particularly reserves the right to modify any equipment, technical specifications, prices, colors, shapes, materials, services, service work, constructions, equipment and the like so as to adapt them to local conditions or to cancel any of the above items, all without previous announcement and without giving reasons. KTM may stop manufacturing certain models without previous notice. KTM shall not be held liable for any deviations of availability and/or ability to deliver, illustrations, descriptions, printing and/or other errors. The illustrated models partly contain extra equipment, which is not applied to standard models.

© by KTM Sportmotorcycle GmbH, Mattighofen AUSTRIA; All rights reserved; Reprint, also in extracts, with written allowance of KTM Sportmotorcycle GmbH, Mattighofen only.

|  |   |  |  |
|--|---|--|--|
| <p><b>FRONT FORK, TRIPLE CLAMP</b></p>  <p><b>4</b></p> | <p><b>HANDLEBAR, CONTROLS</b></p>  <p><b>5</b></p> | <p><b>FRAME</b></p>  <p><b>6</b></p>        | <p><b>FOOTPEGS</b></p>  <p><b>8</b></p>         |
| <p><b>SIDE / CENTER STAND</b></p>  <p><b>9</b></p>      | <p><b>SHOCK ABSORBER</b></p>  <p><b>10</b></p>    | <p><b>SWING ARM</b></p>  <p><b>11</b></p>   | <p><b>EXHAUST SYSTEM</b></p>  <p><b>12</b></p>  |
| <p><b>AIR FILTER</b></p>  <p><b>13</b></p>            | <p><b>TANK, SEAT</b></p>  <p><b>14</b></p>       | <p><b>FUEL PUMP</b></p>  <p><b>15</b></p> | <p><b>MASK, FENDERS</b></p>  <p><b>16</b></p> |

|  |   |   |  |
|--|---|---|--|
| <p><b>SIDE TRIM</b></p>  <p style="text-align: right;"><b>18</b></p>            | <p><b>DECAL</b></p>  <p style="text-align: right;"><b>20</b></p>               | <p><b>FRONT WHEEL</b></p>  <p style="text-align: right;"><b>21</b></p>                 | <p><b>REAR WHEEL</b></p>  <p style="text-align: right;"><b>22</b></p>             |
| <p><b>WIRING HARNESS</b></p>  <p style="text-align: right;"><b>23</b></p>       | <p><b>FRONT BRAKE CONTROL</b></p>  <p style="text-align: right;"><b>24</b></p> | <p><b>REAR BRAKE CONTROL</b></p>  <p style="text-align: right;"><b>25</b></p>          | <p><b>FRONT BRAKE CALIPER</b></p>  <p style="text-align: right;"><b>26</b></p>    |
| <p><b>REAR BRAKE CALIPER</b></p>  <p style="text-align: right;"><b>27</b></p> | <p><b>LIGHTING SYSTEM</b></p>  <p style="text-align: right;"><b>28</b></p>   | <p><b>INSTRUMENTS / LOCK SYSTEM</b></p>  <p style="text-align: right;"><b>29</b></p> | <p><b>EVAPORATIVE CANISTER</b></p>  <p style="text-align: right;"><b>30</b></p> |

|   |  |  |  |
|---|--|--|--|
| <p><b>ANTIBLOCK SYSTEM ABS</b></p>  <p><b>31</b></p> |  |  |  |
|   |  |  |  |
|   |  |  |  |



| POS | PARTNUMBER    |                                   | PIECE |
|-----|---------------|-----------------------------------|-------|
| 1   | 94801001000   | LEG ASSEMBLY LH                   | 1     |
| 2   | 94801002000   | LEG ASSEMBLY RH                   | 1     |
| 4   | 94501032035   | Bottom triple clamp               | 1     |
| 5   | 90101080044   | STEERING HEAD BEARING-KIT         | 1     |
| 6   | 90101086000   | protection cap                    | 1     |
| 7   | 90101036100   | Adjusting ring steering head      | 1     |
| 8   | 90501044000   | steering head screw               | 1     |
| 9   | 93013055000   | Hose clamp                        | 1     |
| 10  | 90113055010   | sleeve for hose clamp             | 2     |
| 11  | J021060156    | AH SCREW M6X15 10.9               | 2     |
| 13  | 93009059000   | Washer nylon                      | 6     |
| 14  | J031050161    | Panhead screw with shoulder       | 4     |
| 15  | 94512082010   | Reflector holder                  | 2     |
| 16  | J910000600505 | NUT HEX THICK                     | 2     |
| 17  | 94512082000   | Side reflector                    | 2     |
| 18  | J900000802002 | SOCKET HEADED BOLT M8X1.25X20     | 2     |
| 21  | 48601166S1    | Fork Fluid Viscosity 4.0 5L       | 1     |
| 24  | 90501045000   | AH SCREW M8X1.25X30               | 4     |
| 25  | 43578014      | GUIDE BUSH LOWER                  | 2     |
| 26  | 43578016      | GUIDE BUSH UPPER                  | 2     |
| 27  | 43570623      | Shaft seal SKF 43x52,9x11,4 black | 2     |
| 28  | 43578044      | CIRCLIP                           | 2     |
| 29  | 43570624      | Dirt scarper SKF 43mm black       | 2     |
| 30  | 43578206      | Fork protection ring d43          | 2     |
| 31  | 43578219      | O-ring 40x2,5 VMQ70 red ISO 3601  | 2     |
| 99  | RP10021       | Adjuster kit screw cap            | x     |

229480112

59508

\* NEW PART

X ON DEMAND



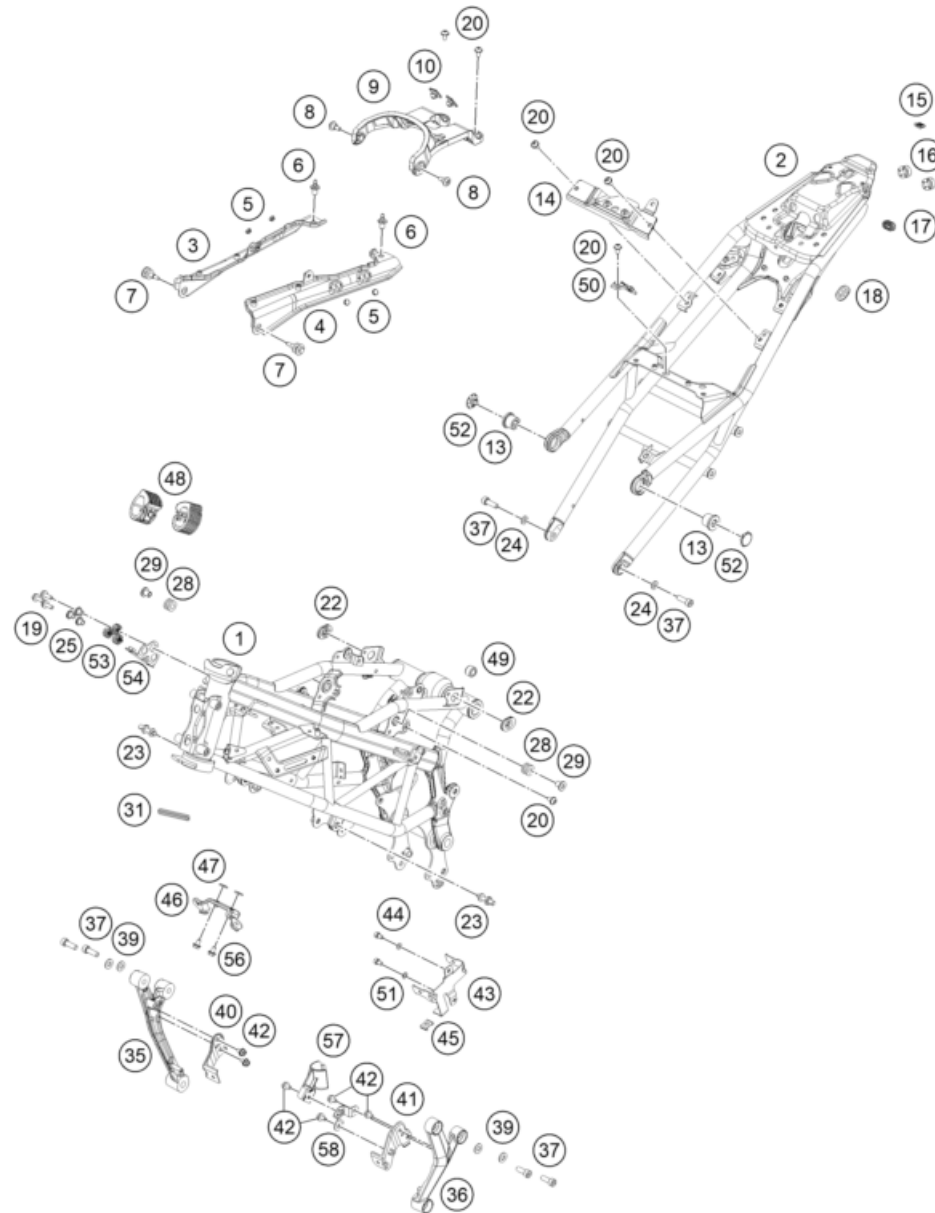
| POS | PARTNUMBER    |                                  | PIECE |
|-----|---------------|----------------------------------|-------|
| 1   | 94501034035C1 | Top triple clamp                 | 1     |
| 2   | J900000604002 | BOLT SOCKET M6X1                 | 2     |
| 3   | 90501045000   | AH SCREW M8X1.25X30              | 4     |
| 4   | 90511006000   | SPECIAL SCREW M5x0,8X13          | 2     |
| 5   | 93802001100   | HANDLEBAR R/S                    | 1     |
| 6   | 94802005000   | TUBE HANDLEBAR LH                | 1     |
| 7   | 94502006010   | HOLDER HANDLE RH                 | 1     |
| 8   | 94502005010   | HOLDER HANDLE LH                 | 1     |
| 9   | 90511006100   | BOLT SOCKET M6X1X14              | 2     |
| 10  | 94802010033   | grip assembly rh                 | 1     |
| 11  | 94802039000   | grip lh                          | 1     |
| 12  | 94502031044   | assembly lever-holder lh         | 1     |
| 13  | 93502031100   | Clutch lever                     | 1     |
| 15  | J025060251    | bolt flanged-m6x1x125xcl8.8xblak | 1     |
| 16  | 93802031100   | LEVER PIVOT BOLT                 | 1     |
| 17  | J982050006    | nyloc nut-M5x0.8                 | 1     |
| 18  | 90232014002   | Screw pan cross M3x0.5           | 2     |
| 19  | 93802016000   | BOOT CLUTCH LEVER                | 1     |
| 20  | 94811074000   | SWITCH CONTROL RH                | 1     |
| 21  | 94811070000   | SWITCH CONTROL LH                | 1     |
| 22  | 90802090000   | CLUTCH CABLE                     | 1     |
| 23  | 93502091100   | Throttle cable                   | 1     |
| 24  | 90202004001   | HANDLEBAR WEIGHT                 | 2     |
| 25  | J900000605003 | BOLT SOCKET M6X1                 | 2     |
| 26  | J800000702800 | SLEEVE                           | 2     |
| 27  | 94811049000   | clutch switch                    | 1     |

229480210

58367

\* NEW PART

X ON DEMAND



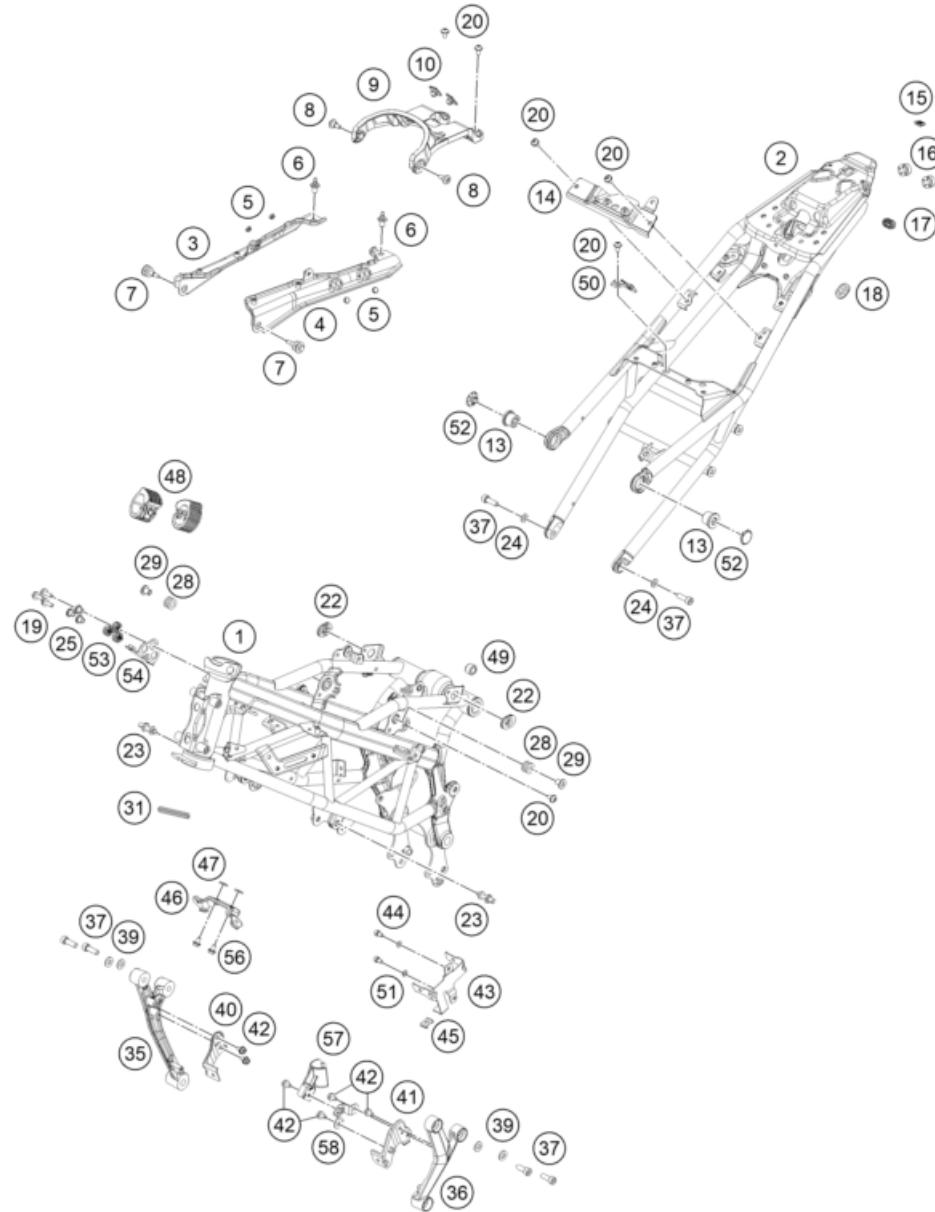
229480310

| POS | PARTNUMBER    |  | PIECE |
|-----|---------------|--|-------|
| 1   | 94503001000C1 | Frame front - Black Gloss              | 1     |
| 2   | 94503002000EB | Subframe                               | 1     |
| 3   | 94503002054   | BRACKET SPIDER RH                      | 1     |
| 4   | 94503002053   | BRACKET SPIDER LH                      | 1     |
| 5   | 94503002065   | DAMPER                                 | 4     |
| 6   | 94503002057   | Quick lock pin M8                      | 2     |
| 7   | J025080246    | Hex collar screw. M8x23.5              | 2     |
| 8   | 90512042020   | STEP BOLT M6                           | 2     |
| 9   | 94508049010   | Carrier cover tank                     | 1     |
| 10  | 90507047041   | SEAT DUMPER SOZIUS SEAT                | 2     |
| 13  | 94503082000   | SCREW SET SOCKET M22X1.25              | 2     |
| 14  | 94503002085   | BRACKET LATCH SEAT                     | 1     |
| 15  | 90507047042   | GROMMET PILLION SEAT                   | 1     |
| 16  | 90107013004   | GROMMET TOP COVER                      | 2     |
| 17  | 90508024050   | GROMMET BATTERY BOX                    | 1     |
| 18  | 90508016070   | GROMMET FOR CABLE                      | 1     |
| 19  | J900000601802 | BOLT-FLANGE-KAD ST-A DIA-06 L-18       | 3     |
| 20  | 90508006001   | SOCKET HEAD BOLT M6X12                 | 7     |
| 22  | 95811055010   | Rubber grommet                         | 2     |
| 23  | 94503001080   | Quick lock stud M8x12                  | 2     |
| 24  | J690000801500 | washer plain-id8.2xod15xt2xblack       | 2     |
| 25  | J800000601000 | collar number plate mounting           | 3     |
| 28  | J650001901402 | GROMMET                                | 2     |
| 29  | J800000701400 | Collar bushing 6.5x13.5                | 2     |
| 31  | 90507012000   | BEADING TANK LH                        | 1     |
| 35  | 93303006000   | Engine brace right                     | 1     |
| 36  | 93303005000   | Engine brace left250/390               | 1     |
| 37  | J912080251    | Hexagon screw M8X25                    | 4     |
| 39  | J125080006    | Washer M8                              | 4     |
| 40  | 95803006001   | Radiator retaining plate, bottom right | 1     |
| 41  | 95803005001   | Radiator retaining plate, bottom left  | 1     |
| 42  | J025060103    | HH COLLAR SCREW M6X10 SW10             | 6     |
| 43  | 94515003000   | Evaporative canister support plate     | 1     |
| 44  | J900000601001 | Hexagon socket screw M6x10             | 2     |
| 45  | 93615005000   | Rubber underlay                        | 1     |
| 46  | 93035004000   | Support                                | 1     |
| 47  | J125090006    | Washer 9,2X16X2                        | 2     |
| 48  | 94507012000   | Damper                                 | 2     |

58363

\* NEW PART

X ON DEMAND



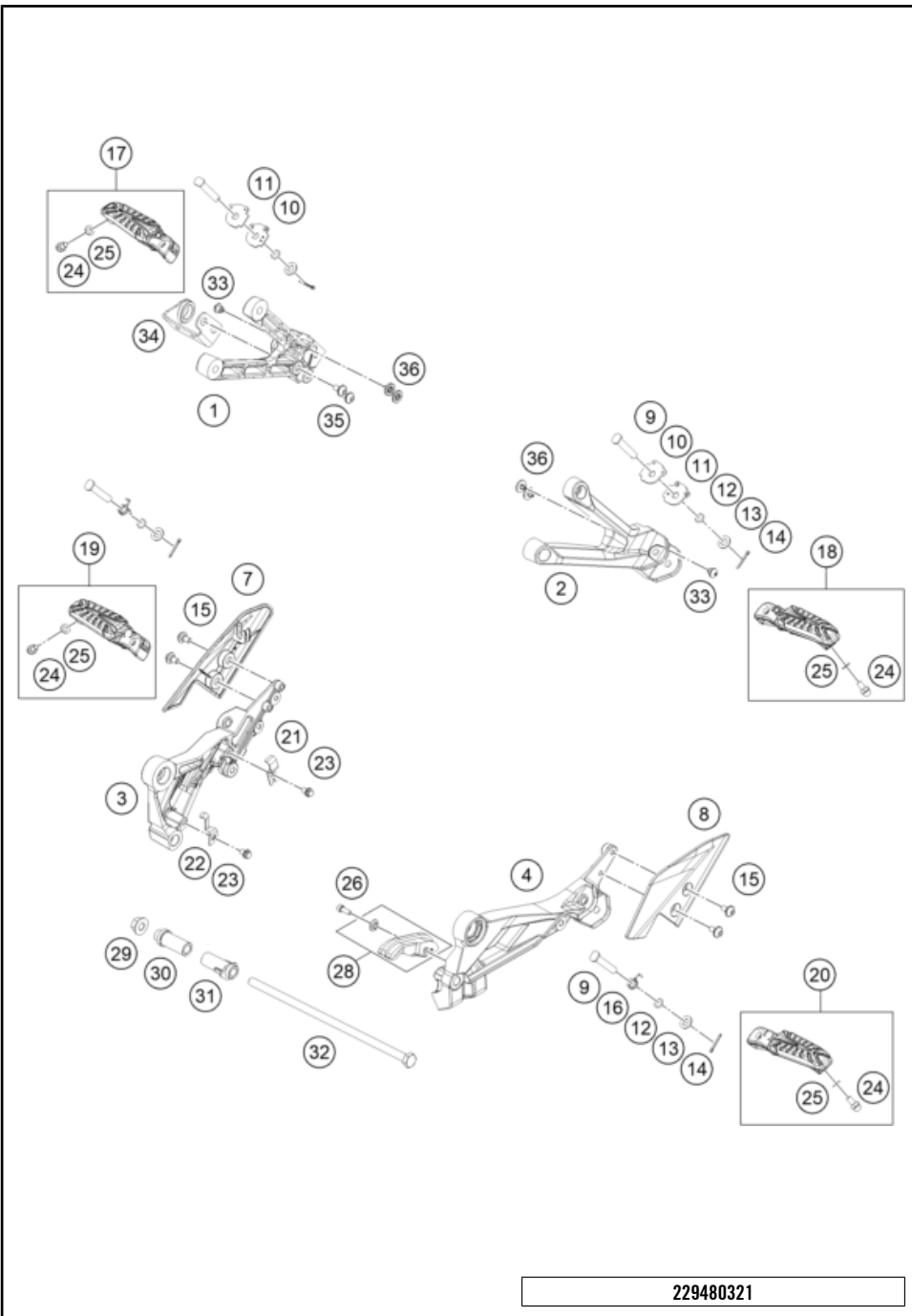
| POS | PARTNUMBER    |                           | PIECE |
|-----|---------------|---------------------------|-------|
| 49  | 94503001097   | collar                    | 1     |
| 50  | 94603099000   | HOLDER COUPLER            | 1     |
| 51  | J690000600101 | WASHER PLAIN SMALL        | 2     |
| 52  | 94503082010   | Cover                     | 2     |
| 53  | J650001801400 | grommet                   | 3     |
| 54  | 94842090010   | bracket sensor lean angle | 1     |
| 56  | J025060101    | Hexagon screw M6X10       | 2     |
| 57  | 93035017050   | THERMOSTAT HALTER         | 1     |
| 58  | 95835013050   | Bracket holder thermostat | 1     |

229480310

58363

\* NEW PART

X ON DEMAND



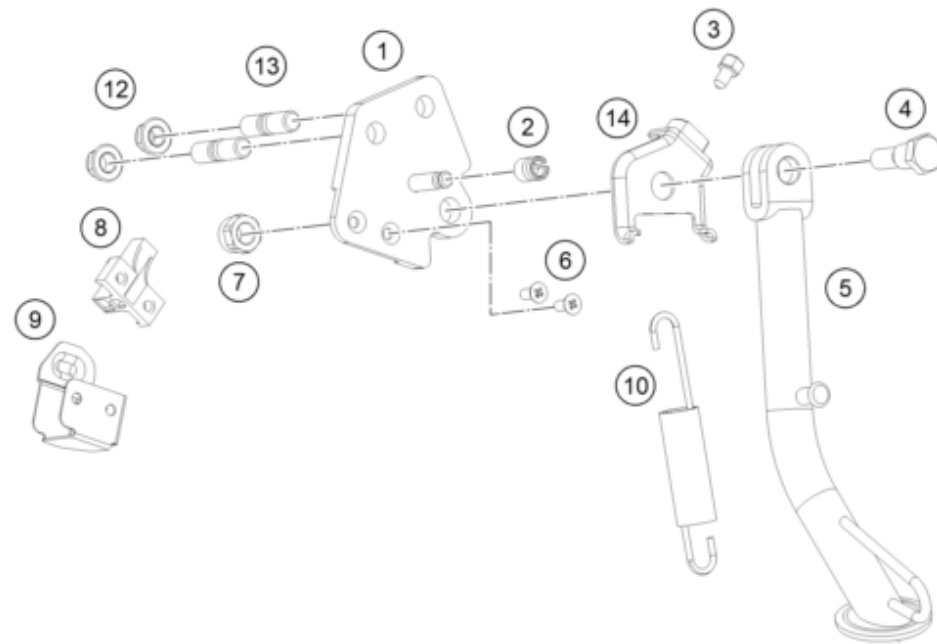
229480321

| POS | PARTNUMBER    |  | PIECE |
|-----|---------------|--|-------|
| 1   | 94503049000C1 | STEP HOLDER PILLON RH JY113041 BLACK MAT | 1     |
| 2   | 94503048000C1 | STEP HOLDER PILLON LH JY113039 BLACK MAT | 1     |
| 3   | 94503039000C1 | STEP HOLDER RH (JY113037) BLACK MATT     | 1     |
| 4   | 94503038000C1 | STEP HOLDER LH (JY113035) BLACK MATT     | 1     |
| 7   | 94603060010   | GUARD HEEL RH                            | 1     |
| 8   | 94603060020   | GUARD HEEL LH                            | 1     |
| 9   | J920000804701 | pin clevis dia 8                         | 4     |
| 10  | 90503052000   | LOCK PLATE UPPER                         | 2     |
| 11  | 90503053000   | LOCK PLATE LOWER                         | 2     |
| 12  | J770009015    | O-RING 9X1,5                             | 4     |
| 13  | 90503048010   | WASHER D=8,5                             | 4     |
| 14  | J094020186    | pin cotter-dia. 2.5x1 18                 | 4     |
| 15  | 93008020060   | Screw M6X1X9                             | 4     |
| 16  | 93003042000   | Footpeg spring                           | 2     |
| 17  | 93003151033   | Rear footpeg compl. right                | 1     |
| 18  | 93003150033   | Rear footpeg compl. left                 | 1     |
| 19  | 93003141033   | Front footpeg compl. right               | 1     |
| 20  | 93003140033   | Front footpeg compl. left                | 1     |
| 21  | 94603039010   | Retaining bracket, hose                  | 1     |
| 22  | 94603039020   | Retaining bracket, hose                  | 1     |
| 23  | J025060083    | HH COLLAR SCREW M6X8 SW8                 | 2     |
| 24  | J029060103S   | CAP SCREW M6X10 SS                       | 4     |
| 25  | J690000600101 | WASHER PLAIN SMALL                       | 4     |
| 26  | J912050141    | bolt socket-m5x0.8xl 14xprecoat          | 1     |
| 28  | 95804070000   | Chain sliding guard                      | 1     |
| 29  | 90103038002   | FLANGED NUT M10X1.25 WS14                | 1     |
| 30  | 95803039010   | Distance sleeve                          | 1     |
| 31  | 95803038010   | Spacer                                   | 1     |
| 32  | J025102656    | HH COLLAR SCREW M10X1,25X265             | 1     |
| 33  | J650001200500 | Rubber buffer                            | 2     |
| 34  | 94505088010   | bracket muffler                          | 1     |
| 35  | J00015082000  | Hex collar screw M8x20 SS                | 2     |
| 36  | 90108023000   | Cap forging pivot LH                     | 4     |

59516

\* NEW PART

X ON DEMAND



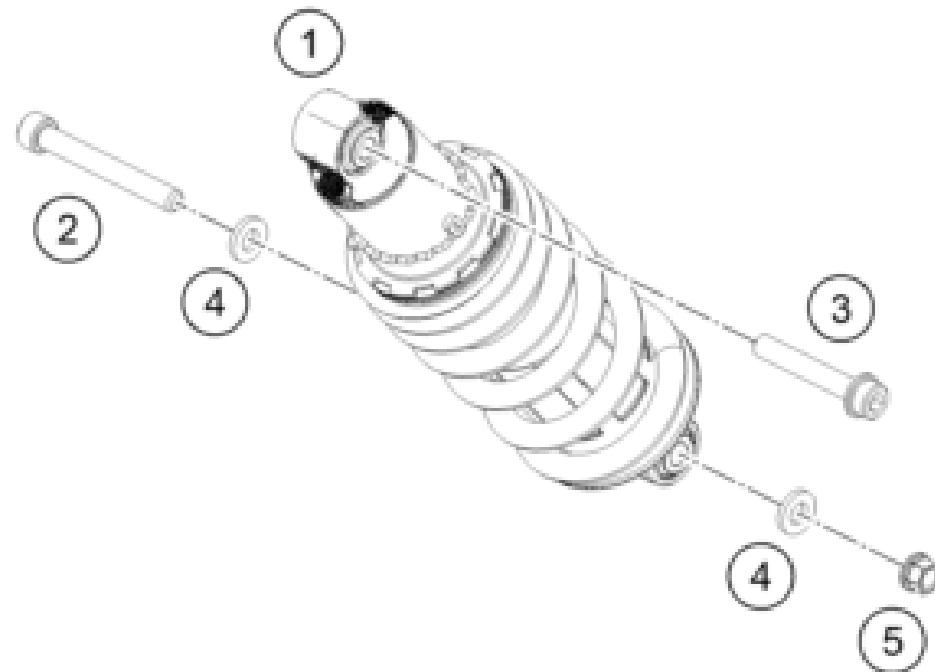
| POS | PARTNUMBER    |                                   | PIECE |
|-----|---------------|-----------------------------------|-------|
| 1   | 93803026000   | Side stand bracket                | 1     |
| 2   | 90111040100   | Bushing                           | 1     |
| 3   | 93503029000   | Magnet bracket                    | 1     |
| 4   | 90103027000   | SCREW F. SIDE STAND               | 1     |
| 5   | 28103023000   | Side stand                        | 1     |
| 6   | J900000501200 | screw csk cross-m5x0.8x12xbright  | 2     |
| 7   | J982101253    | SELF L. NUT M10X1,25 H11 WS17     | 1     |
| 8   | 93511045000   | SWITCH SIDE STAND                 | 1     |
| 9   | 28111046000   | Shield switch stand side          | 1     |
| 10  | 90603024000   | SIDE STAND SPRING                 | 1     |
| 12  | 93003034000   | nut U flang-M10X1.25XHT.8.5XBRT   | 2     |
| 13  | 93003027000   | bolt stud-M10X1.25XL20XBRXPRECOAT | 2     |
| 14  | 95803034000   | BRACKET HOLDER MAGNET             | 1     |

229460360

57897

\* NEW PART

X ON DEMAND



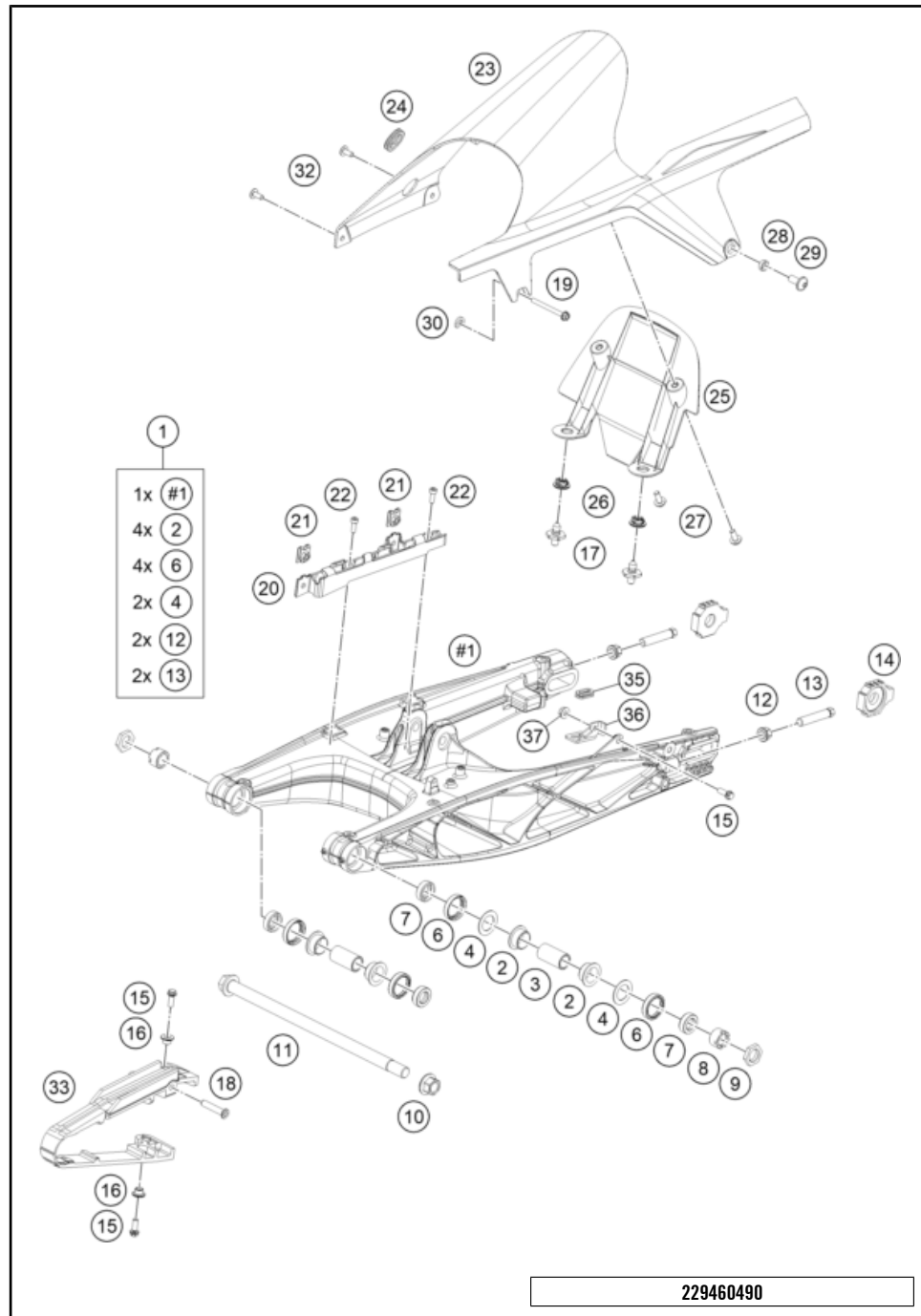
| POS | PARTNUMBER    |                               | PIECE |
|-----|---------------|-------------------------------|-------|
| 1   | 94804010044   | shockabsorber rear            | 1     |
| 2   | J020100806    | SHCS M10x1.25x80 - 10.9       | 1     |
| 3   | J900001006200 | BOLT FLANGED M10X1.25         | 1     |
| 4   | 90104010003   | PLAIN WASHER 10,2X20X3MM      | 2     |
| 5   | 90104010002   | flanged hex nut M10x1.25 WS13 | 1     |

229480410

59635

\* NEW PART

X ON DEMAND



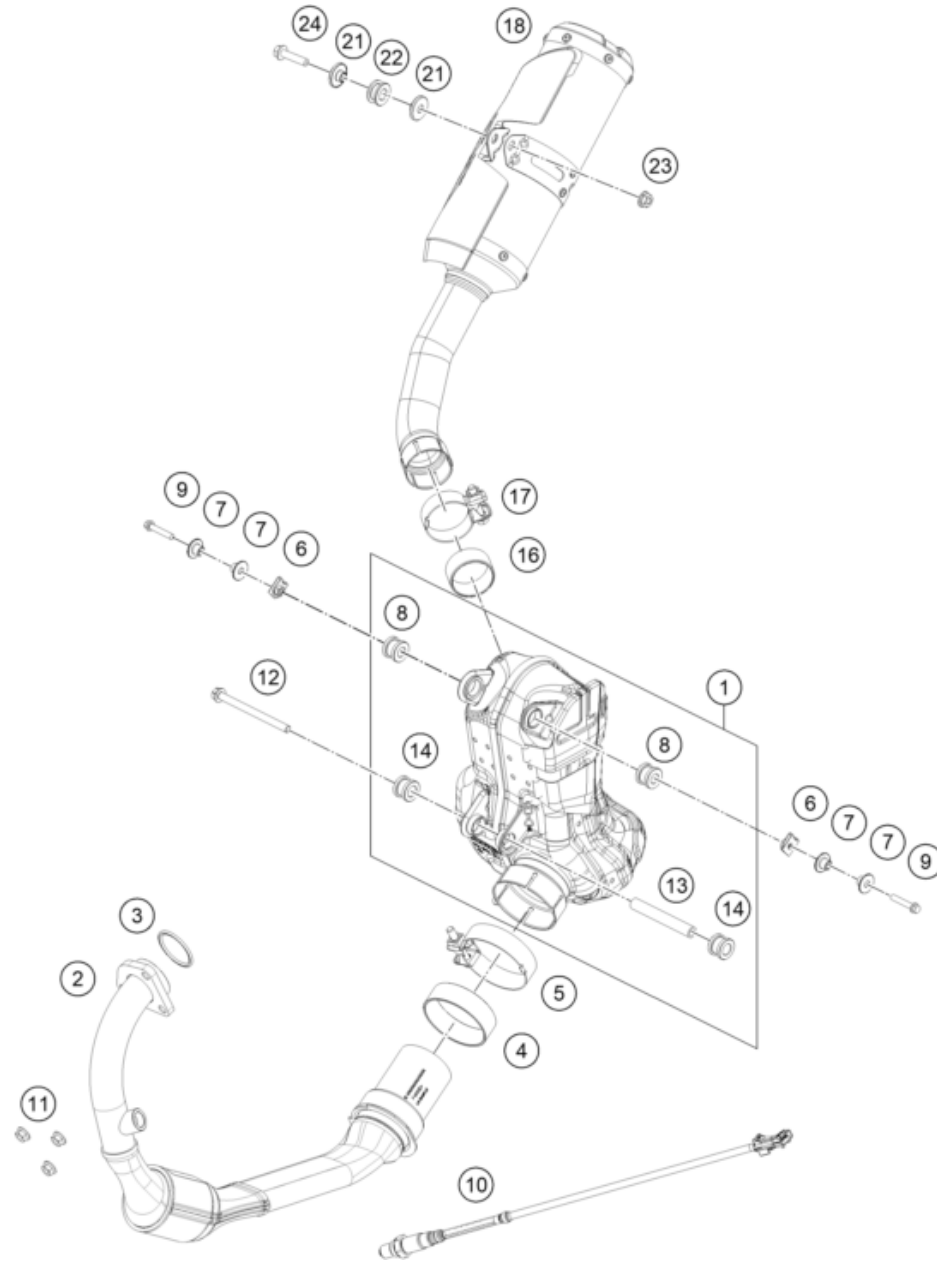
229460490

| POS | PARTNUMBER    |                                       | PIECE |
|-----|---------------|---------------------------------------|-------|
| 1   | 28104030044C1 | Swing Arm Sub Assy Husqvarna 401 MY20 | 1     |
| 2   | 90104031000   | Igus plain bearing                    | 4     |
| 3   | 90104032000   | sleeve bushing 15.1x20x38             | 2     |
| 4   | 90104036000   | Thrust washer 22.2x31.7x1             | 2     |
| 6   | 90104034001   | OIL SEAL RING 25X32X7                 | 4     |
| 7   | 90104034000   | cup for radial shaft seal             | 4     |
| 8   | 90104046000   | swingarm adjusting ring               | 2     |
| 9   | 90104042000   | hex thrust washer                     | 2     |
| 10  | 90104038000   | FLANGED NUT M14X1.5                   | 1     |
| 11  | 90104037000   | Shaft swing arm L=299mm               | 1     |
| 12  | 90104040000   | BOLT HEX M10X1.25X50 WS10             | 2     |
| 13  | 90104040000   | BOLT HEX M10X1.25X50 WS10             | 2     |
| 14  | 90110084000   | chain tension adjuster, right         | 2     |
| 15  | J025060169    | HH COLLAR SCREW M6X16 SW8             | 3     |
| 16  | 90604062000   | chain slider bushing                  | 2     |
| 17  | J900000600800 | pin quick release                     | 2     |
| 18  | 90904070020   | SLEEVE CHAIN GUARD                    | 1     |
| 19  | J025050504    | BOLT FLANGED M5X0.8XL                 | 1     |
| 20  | 94508022000   | Brake line guide rear                 | 1     |
| 21  | 90103097000   | clip nut                              | 2     |
| 22  | J912050141    | bolt socket-m5x0.8xl 14xprecoat       | 2     |
| 23  | 94504060000   | chainguard                            | 1     |
| 24  | J650003002300 | PLUG                                  | 1     |
| 25  | 94504060010   | FENDER HUGGER FRONT                   | 1     |
| 26  | 93011068010   | Rubber grommet ignition lock cover    | 2     |
| 27  | J900000601605 | Roundhead screw M6x16                 | 2     |
| 28  | 90504060050   | SLEEVE FOR CHAIN COVER                | 1     |
| 29  | 90508008001   | AH SCREW M8X20                        | 1     |
| 30  | 90504067000   | WASHER CHAIN SLIDING GUARD            | 1     |
| 32  | J900000601400 | screw button head-m6x1x14xblack       | 2     |
| 33  | 90804066000   | chain slider                          | 1     |
| 35  | J650002401900 | Rubber grommet                        | 1     |
| 36  | 94604060020   | bracket cover chain                   | 1     |
| 37  | J926060001    | Hexagon nut M6                        | 1     |

59383

\* NEW PART

X ON DEMAND



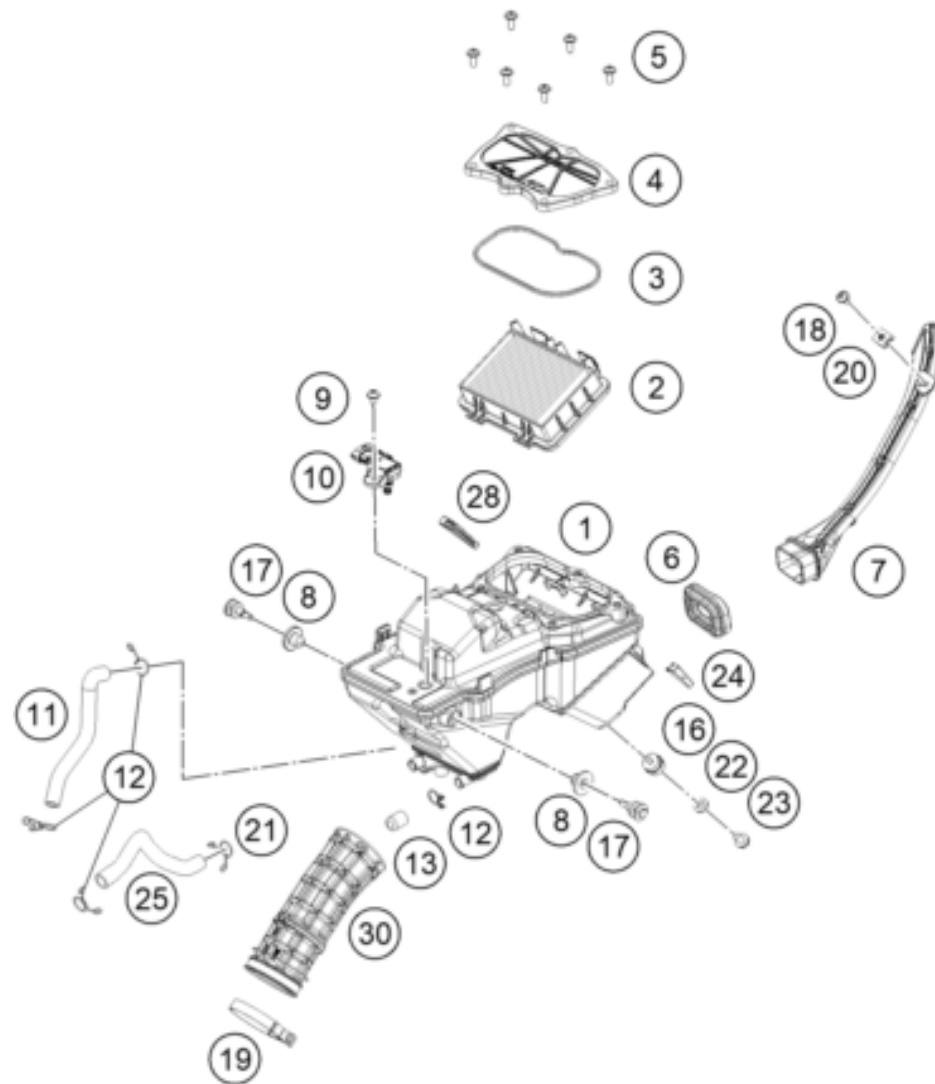
| POS | PARTNUMBER    |                                  | PIECE |
|-----|---------------|----------------------------------|-------|
| 1   | 28105050044   | ASSEMBLY PREMUFFLER              | 1     |
| 2   | 94305007031   | PIPE ASSEMBLY A                  | 1     |
| 3   | 90105004100   | Gasket exhaust                   | 1     |
| 4   | 94305050172   | Gasket exhaust                   | 1     |
| 5   | 94305051000   | Exhaust clamp                    | 1     |
| 6   | 90103097000   | clip nut                         | 2     |
| 7   | 90205086001   | muffler mounting spacer bushing  | 4     |
| 8   | 90205068000   | damper, bottom                   | 2     |
| 9   | 90105000002   | BOLT SILENCER MTG                | 2     |
| 10  | 94341090000   | Oxygen sensor                    | 1     |
| 11  | J926080003    | Hex collar nut M6                | 3     |
| 12  | J027081053    | HH COLLAR SCREW M8X105 SW12      | 1     |
| 13  | 90105084000   | muffler mounting tube            | 1     |
| 14  | 90105068100   | damper, bottom                   | 2     |
| 16  | 94305050071   | Exhaust flange gasket, muffler   | 1     |
| 17  | 95805051010   | Exhaust pipe clamp               | 1     |
| 18  | 94505083000   | MUFFLER ASSEMBLY SECONDARY       | 1     |
| 21  | 93805095000   | BUSH MUFFLER                     | 2     |
| 22  | 93805096000   | DAMPER MUFFLER                   | 1     |
| 23  | J692080006    | nut hex flange-M8x1.25xcl8xdacro | 1     |
| 24  | J900000804001 | Hex collar screw M8x40           | 1     |

229480511

59502

\* NEW PART

X ON DEMAND



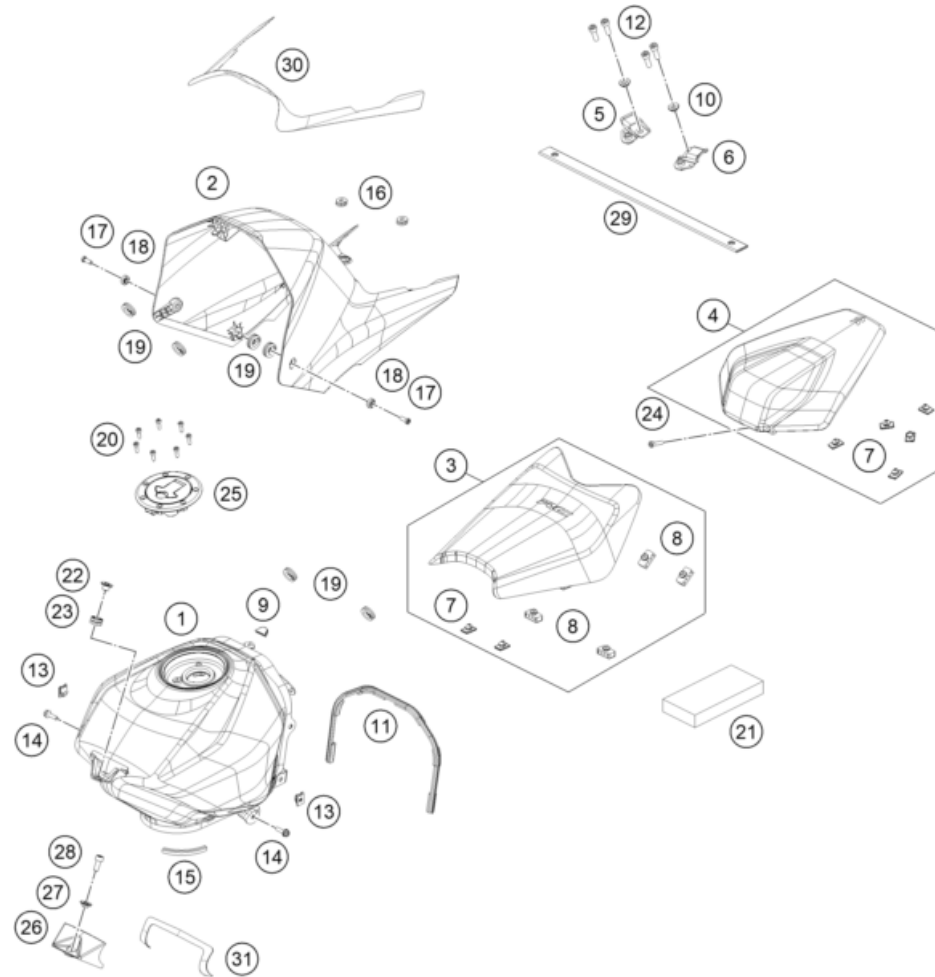
| POS | PARTNUMBER  |                                     | PIECE |
|-----|-------------|-------------------------------------|-------|
| 1   | 94306001000 | Air filter box                      | 1     |
| 2   | 93006015000 | FILTER                              | 1     |
| 3   | 93006020050 | Seal                                | 1     |
| 4   | 93006002000 | Air filter box cover                | 1     |
| 5   | 93006039000 | Flat-head screw M6                  | 4     |
| 6   | 93006001060 | Carburetor connection boot          | 1     |
| 7   | 94506040000 | Intake snorkel                      | 1     |
| 8   | 93006001080 | Damping rubber                      | 2     |
| 9   | J031060103  | Lens head screw M6X10               | 1     |
| 10  | 90141071000 | TMAP-SENSOR                         | 1     |
| 11  | 93030087050 | Engine vent hose                    | 1     |
| 12  | 90130087001 | HOSE CLAMP                          | 5     |
| 13  | 93030089000 | Plug                                | 1     |
| 16  | 90106001007 | SILENT BLOCK AIRFILTER              | 1     |
| 17  | 93007046050 | Screw                               | 2     |
| 18  | 90508006001 | SOCKET HEAD BOLT M6X12              | 1     |
| 19  | 90241002010 | hose clamp                          | 1     |
| 20  | 93008084010 | Range change metal nut M6           | 1     |
| 21  | 90607017000 | CLAMP 16MM                          | 1     |
| 22  | J125060001  | Washer - plain                      | 1     |
| 23  | J026060083  | HH COLLAR SCREW M6X8 SW10           | 1     |
| 24  | 93006001015 | Rubber cowl pad                     | 1     |
| 25  | 93030088050 | Engine vent hose                    | 1     |
| 28  | 93006021000 | Distance piece air filter box right | 1     |
| 30  | 94841040000 | TUBE CONNECTING                     | 1     |

219480610

59379

\* NEW PART

X ON DEMAND



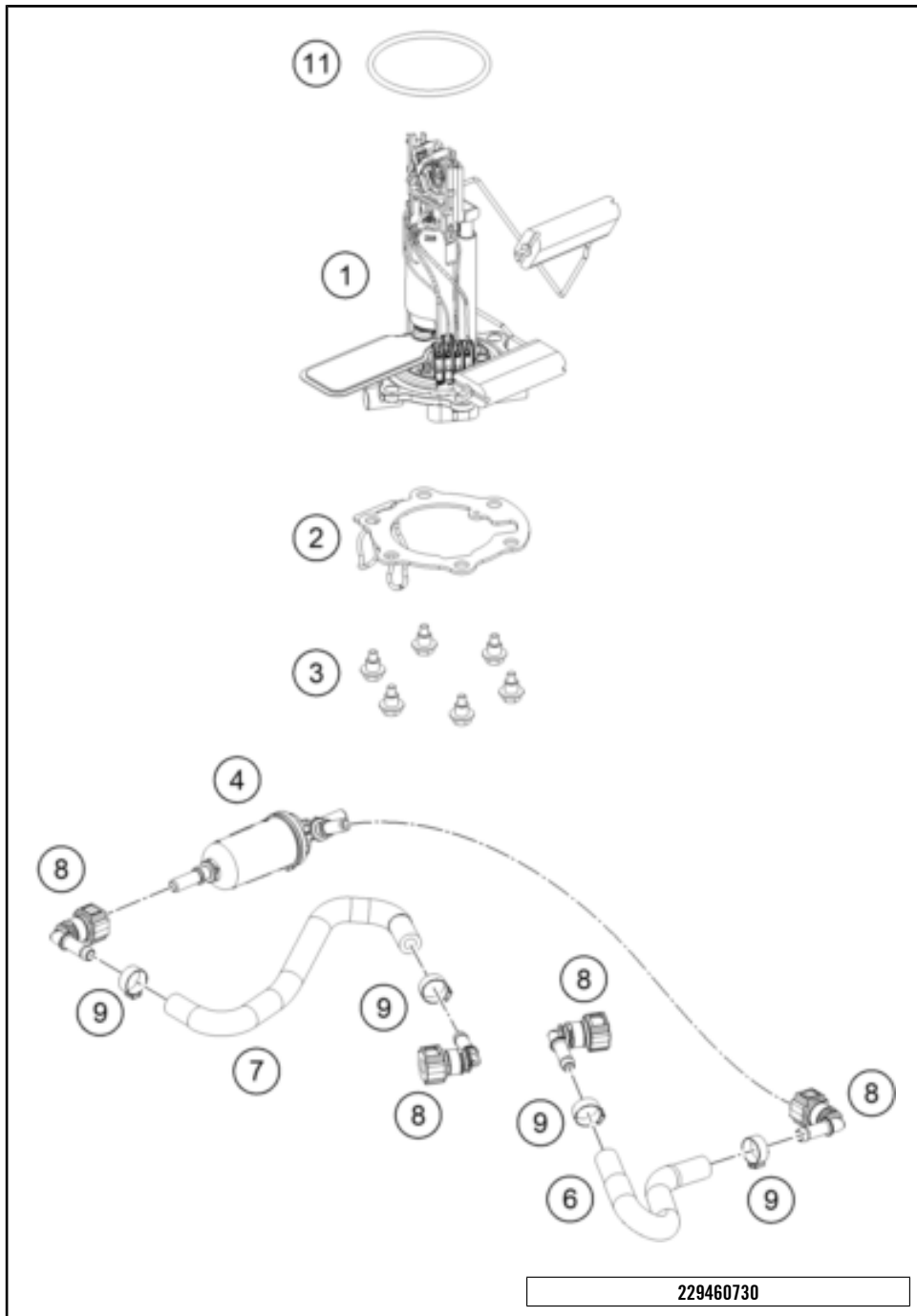
| POS | PARTNUMBER     |  | PIECE |
|-----|----------------|--|-------|
| 1   | 94507013000EB  | RC MY21 FUEL TANK JY171174 EB ORG GLOSS  | 1     |
| 2   | 94508049033HCA | Fuel tank fairing rear compl. with decal | 1     |
| 3   | 94507040000    | SEAT ASSEMBLY FRONT                      | 1     |
| 4   | 94507047000    | SEAT ASSEMBLY PILLION                    | 1     |
| 5   | 94507057020    | pillion strap bracket RH                 | 1     |
| 6   | 94507057010    | pillion strap bracket LH                 | 1     |
| 7   | 90507047041    | SEAT DUMPER SOZIUS SEAT                  | 7     |
| 8   | 93007040010    | Seat cowl pad                            | 4     |
| 9   | 94507013030    | Plastic caps                             | 1     |
| 10  | J800000900700  | collar                                   | 2     |
| 11  | 94507013010    | Fuel tank, edge protection               | 1     |
| 12  | J900000802502  | Hexagon socket bolt M8x25 SS             | 4     |
| 13  | 90105017000    | CLIP NUT M6                              | 2     |
| 14  | J025060221     | Bolt-Flange-Kad ST-D DIA-06 L-22         | 2     |
| 15  | 90507012000    | BEADING TANK LH                          | 1     |
| 16  | 93008019010    | Rubber bushing                           | 2     |
| 17  | 90808043001    | BOLT SOCKET M6X1XL                       | 2     |
| 18  | 90808010050    | BUSHING FRONT FENDER                     | 2     |
| 19  | 90108060001    | DAMPING RUBBER I RADIATOR PROT           | 6     |
| 20  | J912050151     | AH SCREW M5X14 BLACK                     | 7     |
| 21  | 95829099000    | Tool set                                 | 1     |
| 22  | 90507013005    | SLEEVE TANK MOUNTING                     | 1     |
| 23  | 90507013006    | GROMMET TANK MOUNTING                    | 1     |
| 24  | J912060256     | Hexagon socket screw, M6X25              | 1     |
| 25  | 94507008000    | CAP TANK FUEL                            | 1     |
| 26  | 94508062000    | COVER BRACKET TANK                       | 1     |
| 27  | J800000800400  | COLLAR                                   | 1     |
| 28  | J912080303     | hexagon socket screw M8X30               | 1     |
| 29  | 94507057000    | Seat Belt                                | 1     |
| 30  | 94507025020    | Tape                                     | 1     |
| 31  | 94507025010    | Tank protector                           | 1     |

229480710

59504

\* NEW PART

X ON DEMAND

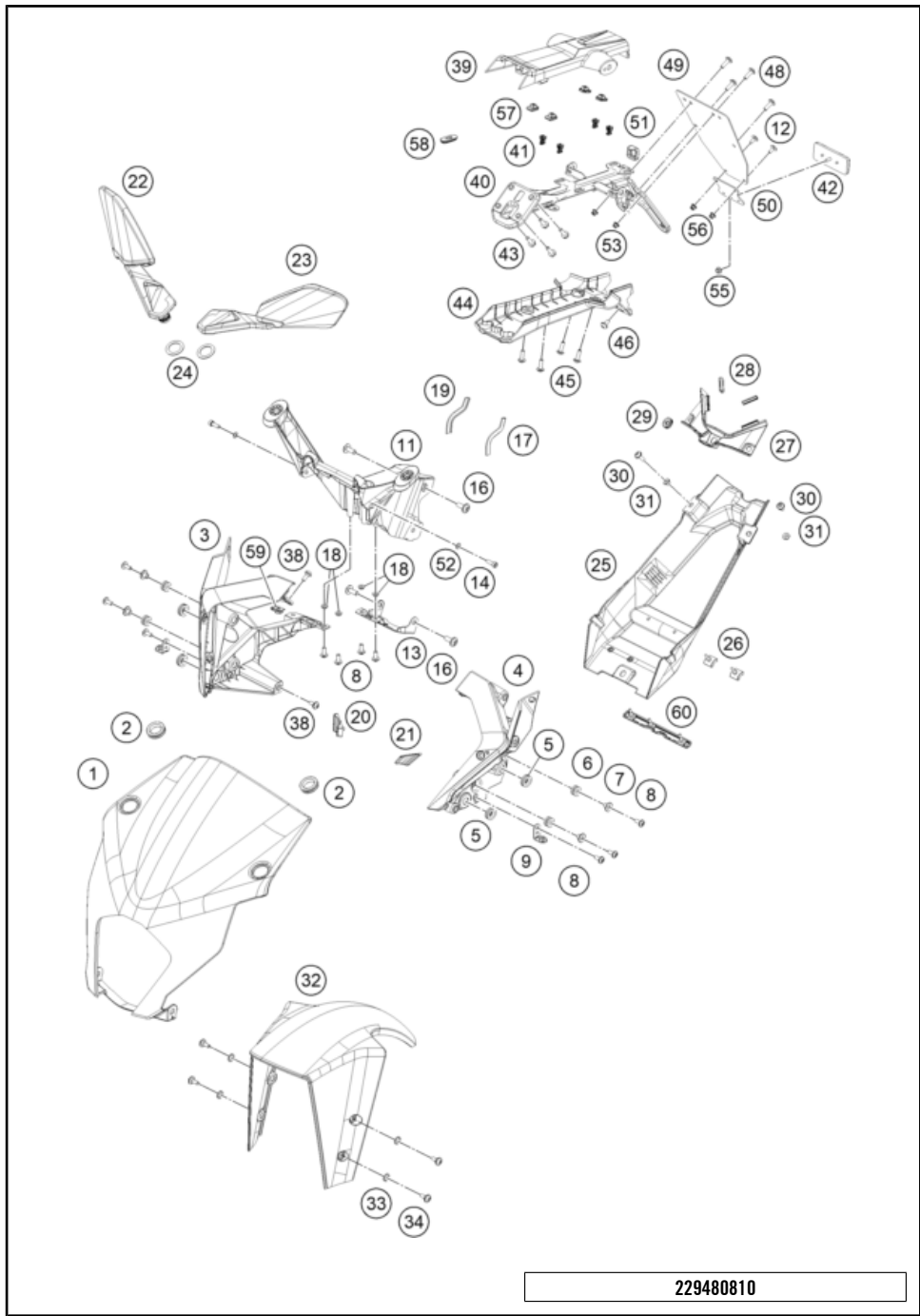


| POS | PARTNUMBER    |                                      | PIECE |
|-----|---------------|--------------------------------------|-------|
| 1   | 94507088000   | Fuel pump                            | 1     |
| 2   | 94507013050   | Intermediate disc, fuel pump         | 1     |
| 3   | J025060128    | BOLT FLANGE- M6 X 1 X L12.8 XBRT XST | 6     |
| 4   | 93807018000   | fuel filter                          | 1     |
| 6   | 94507016010   | PIPE FUEL                            | 1     |
| 7   | 94507016000   | PIPE FUEL                            | 1     |
| 8   | 28107028000   | Angle piece                          | 4     |
| 9   | J300000701600 | Oetiker clamp D=14                   | 4     |

229460730

57850

\* NEW PART X ON DEMAND



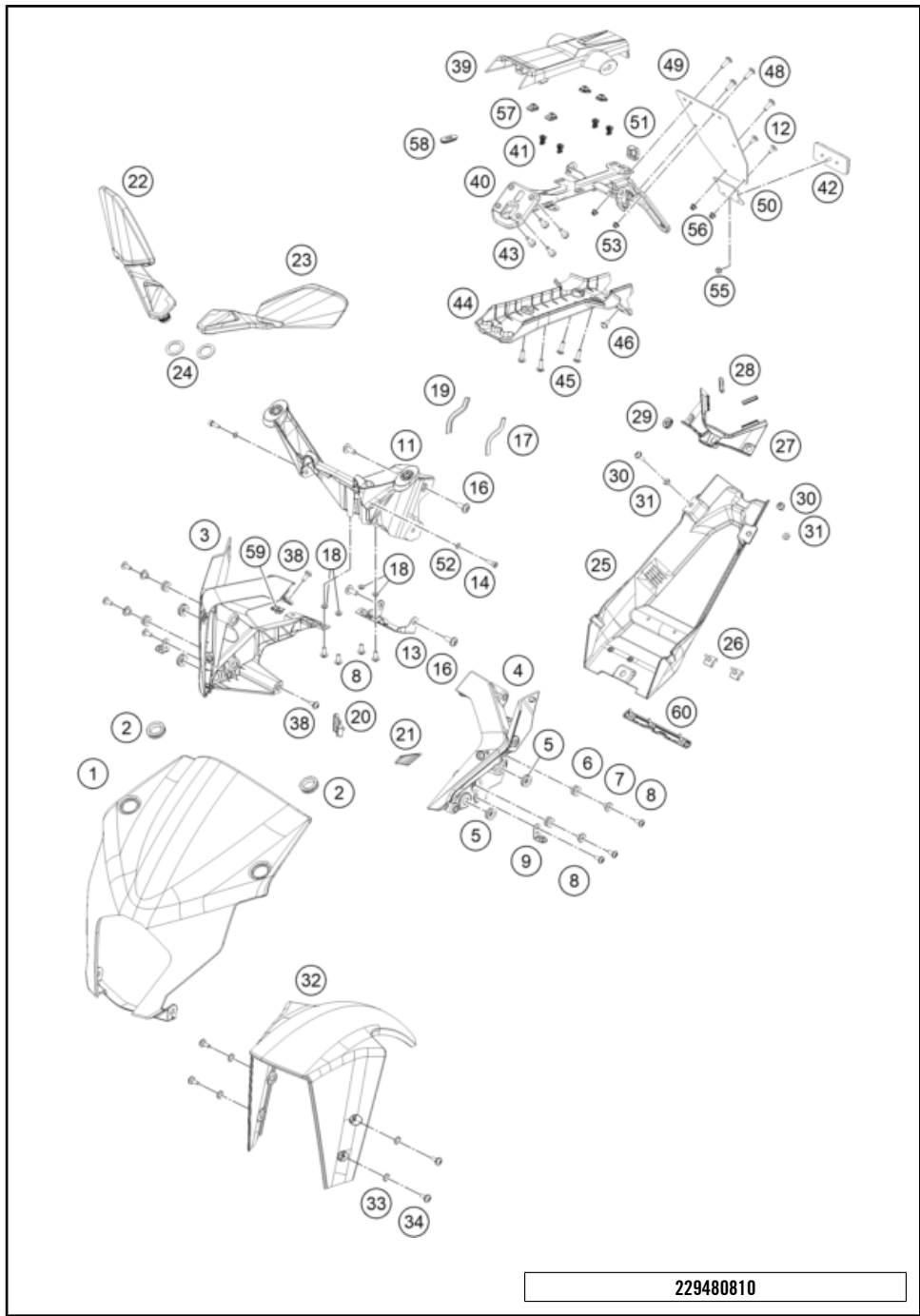
| POS | PARTNUMBER    |  | PIECE |
|-----|---------------|--|-------|
| 1   | 94508108000   | Windshield                             | 1     |
| 2   | J650003503000 | Rubber grommet 35x29.6                 | 2     |
| 3   | 94514011000   | Structure fairing right                | 1     |
| 4   | 94514010000   | Structure fairing left                 | 1     |
| 5   | J650002201400 | GROMMET                                | 4     |
| 6   | 93014017000   | Rubber bushing                         | 4     |
| 7   | 93014018100   | Collar head lamp holder MTG            | 4     |
| 8   | 93006039000   | Flat-head screw M6                     | 10    |
| 9   | 94508047010   | Angle for bracket, side fairing        | 2     |
| 11  | 94514013000BM | Mask support bracket                   | 1     |
| 12  | J005050123    | FLAT HEAD SCREW M5X12 PH               | 2     |
| 13  | 94514013010   | Cover, mask support                    | 1     |
| 14  | J912060183    | hexagon socket screw M6X18             | 2     |
| 16  | J90000602300  | Oval head screw with hex. socket M6x23 | 4     |
| 17  | 94514013030   | Edge protection, mask support, left    | 1     |
| 18  | 90113055010   | sleeve for hose clamp                  | 4     |
| 19  | 94514013040   | BEADING RH                             | 1     |
| 20  | 94514011010   | Damper, windshield, right              | 1     |
| 21  | 94514010010   | Damper, windshield, left               | 1     |
| 22  | 94512041033   | Mirror, right, preass.                 | 1     |
| 23  | 94512040033   | Mirror, left, preass.                  | 1     |
| 24  | J690002400100 | WASHER PLAIN                           | 2     |
| 25  | 94508019000   | Tray under                             | 1     |
| 26  | 94508019001   | Fuel tank rubber                       | 2     |
| 27  | 94508019010   | Cover rear fairing, bottom             | 1     |
| 28  | 94508030000   | Edge protection                        | 2     |
| 29  | J650002001400 | Rubber grommet                         | 1     |
| 30  | 90808043000   | SPECIAL SCREW M6X1X16                  | 2     |
| 31  | J800000600701 | Collar bushing 6.2x6.5                 | 1     |
| 32  | 94508010000HC | Fender front part                      | 1     |
| 33  | 93009059000   | Washer nylon                           | 4     |
| 34  | J031050161    | Panhead screw with shoulder            | 4     |
| 38  | 93008040000   | Screw M6X1X13                          | 2     |
| 39  | 94508015010   | License plate holder support, top      | 1     |
| 40  | 94508015030   | License plate holder support           | 1     |
| 41  | J340001201100 | Metallic quick lock                    | 4     |
| 42  | 90514045000   | REFLECTOR                              | 1     |
| 43  | J025060202    | Bolt-Flange-Kad ST-A DIA-06 L-20       | 4     |

229480810

62316

\* NEW PART

X ON DEMAND



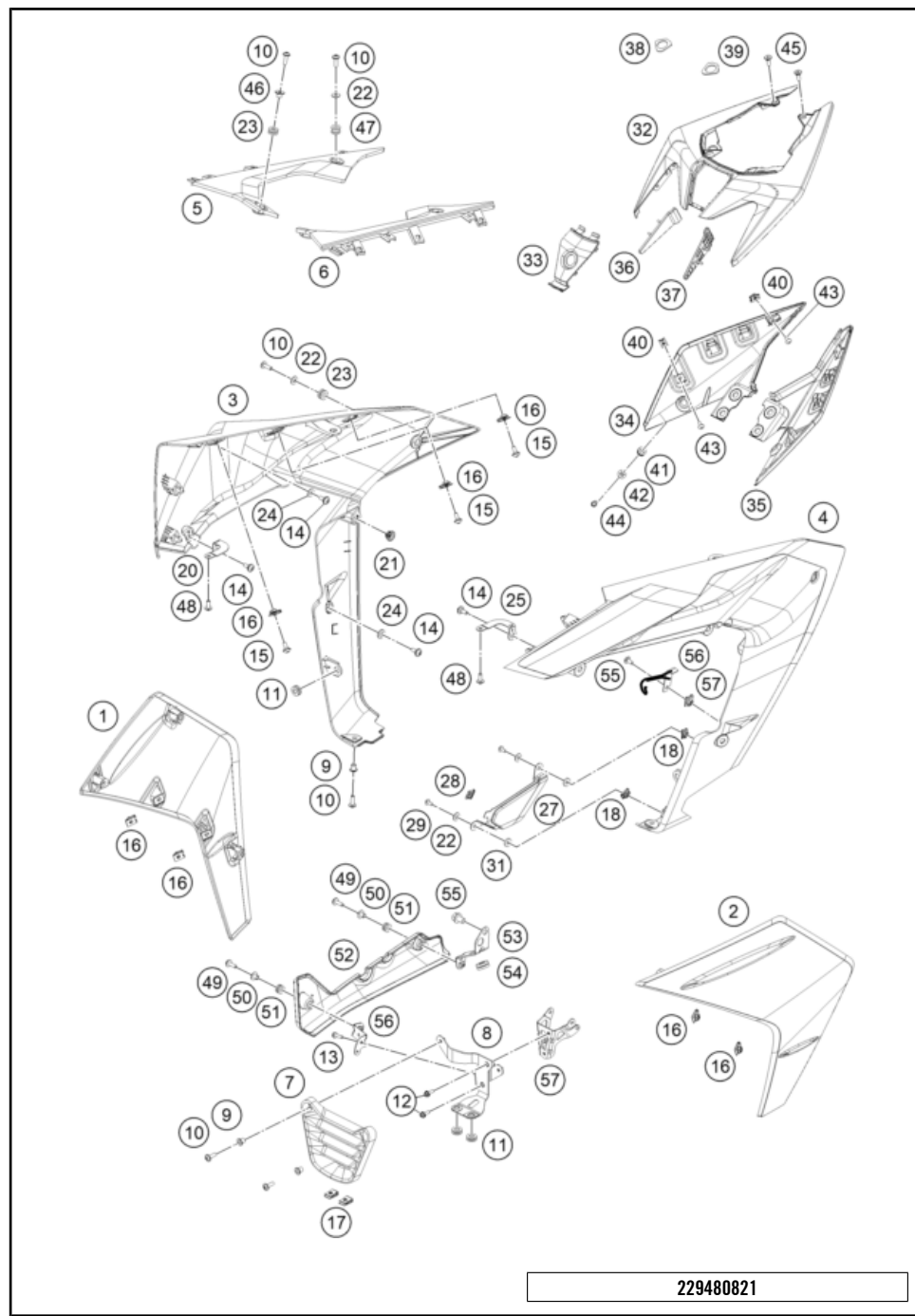
| POS | PARTNUMBER    |                                   | PIECE |
|-----|---------------|-----------------------------------|-------|
| 44  | 94508015020   | License plate holder, bottom part | 1     |
| 45  | 93008040000   | Screw M6X1X13                     | 4     |
| 46  | 93008020060   | Screw M6X1X9                      | 1     |
| 48  | 93014098000   | screw truss-M6X1XL 16Xblack       | 4     |
| 49  | 90808016000   | REAR FENDER EXT.                  | 1     |
| 50  | 90514044000   | REFLECTOR MOUNTING                | 1     |
| 51  | 93008015010   | Protection rubber                 | 1     |
| 52  | J690000600100 | WASHER PLAIN SMALL-6.5X11.5XT0.8  | 2     |
| 53  | 93008036000   | Hexagon nut M6                    | 2     |
| 55  | J06923050053  | Hex collar nut, M5                | 1     |
| 56  | 90102031010   | HEX NUT M5 AF8                    | 2     |
| 57  | J910000600504 | NUT - CLIP :- M6                  | 1     |
| 58  | 93008015060   | grommet                           | 1     |
| 59  | 90103097000   | clip nut                          | 2     |
| 60  | 94508019002   | DAMPER                            | 1     |

229480810

62316

\* NEW PART

X ON DEMAND



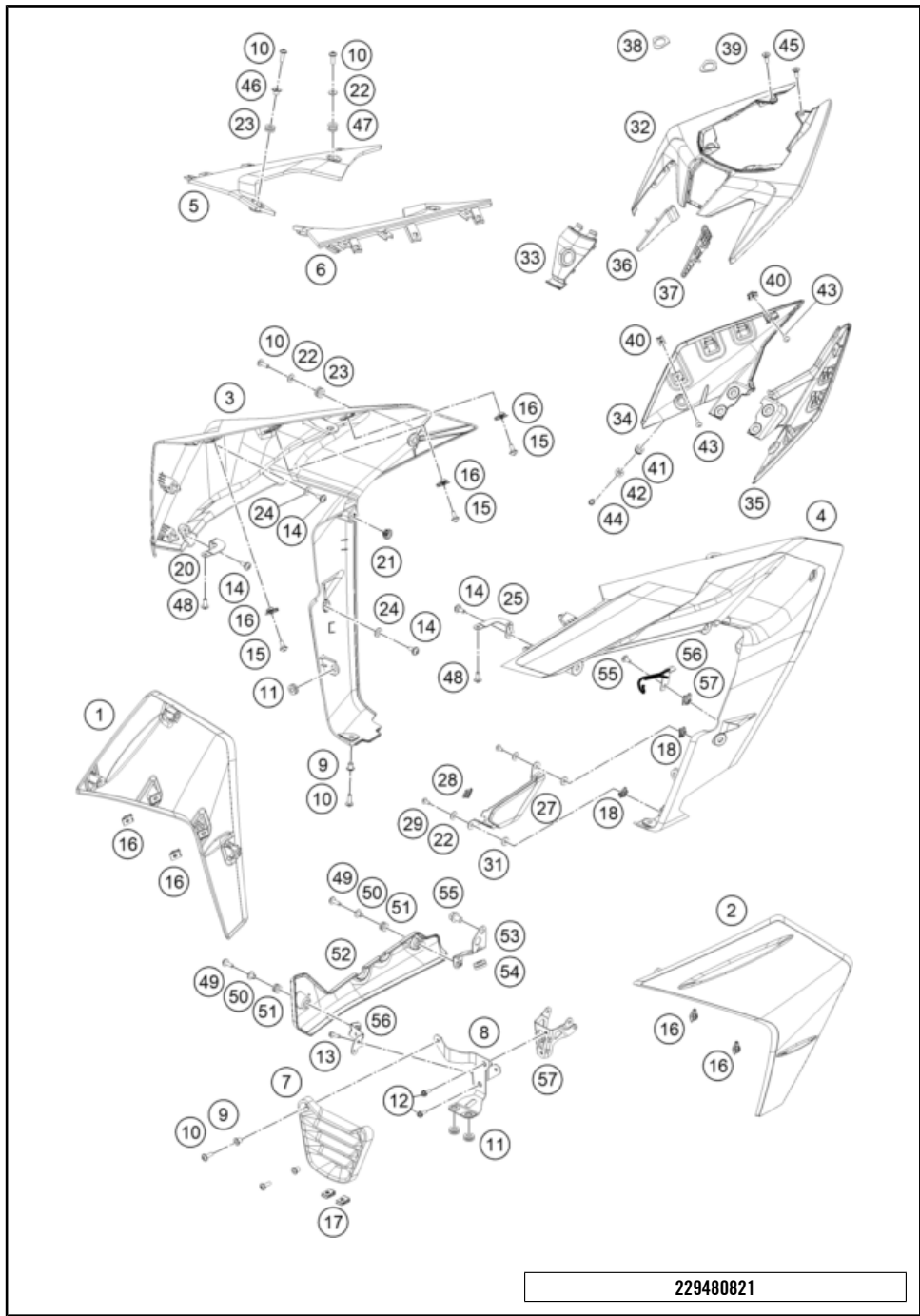
| POS | PARTNUMBER     |  | PIECE |
|-----|----------------|--|-------|
| 1   | 94508042033EBA | RC 390 Gen 2 out side fairing rh+dl with decal | 1     |
| 2   | 94508041033EBA | RC 390 Gen 2 out side fairing lh+dl with decal | 1     |
| 3   | 94508027033HCA | Side fairing internal right compl. with decal  | 1     |
| 4   | 94508026033HCA | Side fairing internal left compl. with decal   | 1     |
| 5   | 94508027010    | Side fairing, inner, top, right                | 1     |
| 6   | 94508026010    | Side fairing, inner, top, left                 | 1     |
| 7   | 94508020000    | BELLY PAN MIDDLE                               | 1     |
| 8   | 94808020010    | bracket assy belly pan middle                  | 1     |
| 9   | 93808027000    | SLEEVE   | 4     |
| 10  | 90508006003    | AH SCREW M6X1X20                               | 10    |
| 11  | 93808026100    | GROMMET BELLY PAN                              | 4     |
| 12  | J900000501601  | Hex collar screw, M5x16                        | 1     |
| 13  | J900000501800  | Hex collar screw, M5x18                        | 1     |
| 14  | J031050161     | Panhead screw with shoulder                    | 6     |
| 15  | J900000601200  | Oval head screw M6x12                          | 6     |
| 16  | 90103097000    | clip nut                                       | 10    |
| 17  | J910000600600  | CLIP NUT M6                                    | 1     |
| 18  | 90108050001    | CLIP NUT M5                                    | 2     |
| 20  | 94508048000    | Bracket, side fairing, right                   | 1     |
| 21  | 93011068010    | Rubber grommet ignition lock cover             | 2     |
| 22  | J125070004     | washer plain-id6.5xod16xthk1xblk               | 6     |
| 23  | 93014017000    | Rubber bushing                                 | 4     |
| 24  | J125100009     | Washer M10                                     | 4     |
| 25  | 94508047000    | Bracket, side fairing, left                    | 1     |
| 27  | 94808041050    | cover catalyst                                 | 1     |
| 28  | 27005211011    | Absorbing element silicone IN                  | 1     |
| 29  | J900000501403  | Roundhead screw M5x14                          | 2     |
| 31  | 90505090050    | WASHER ASBESTOS                                | 2     |
| 32  | 94508018000HC  | SEAT COWL TOPJY181353 ATLANTIC BLUE MATT       | 1     |
| 33  | 94508018050    | Seat lock, cover                               | 1     |
| 34  | 94508018010HCA | Side fairing right with decal                  | 1     |
| 35  | 94508018020HCA | Side fairing left with decal                   | 1     |

229480821

59527

\* NEW PART

X ON DEMAND



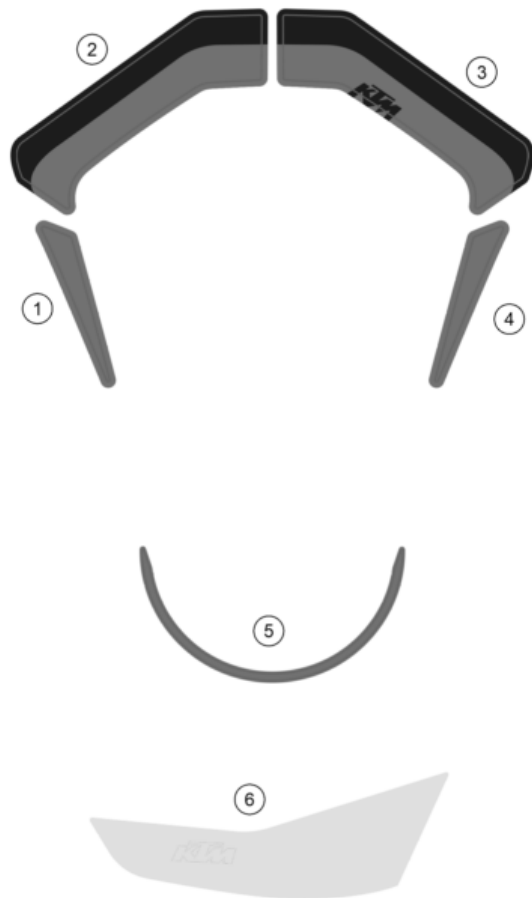
| POS | PARTNUMBER    |                             | PIECE |
|-----|---------------|-----------------------------|-------|
| 36  | 94508018040   | Frame cover right           | 1     |
| 37  | 94508018030   | Frame cover left            | 1     |
| 38  | 94508018070   | FOAM RH                     | 1     |
| 39  | 94508018060   | FOAM LH                     | 1     |
| 40  | 90108050001   | CLIP NUT M5                 | 4     |
| 41  | 95835016000   | Rubber grommet              | 2     |
| 42  | J800000600700 | COLLAR FAIRING - K10        | 1     |
| 43  | J031050123    | Lens head screw M5X12       | 4     |
| 44  | 93006039000   | Flat-head screw M6          | 2     |
| 45  | J900000601403 | BOLT SOCKET STEP M6X1       | 1     |
| 46  | 93014018100   | Collar head lamp holder MTG | 2     |
| 47  | J650001701300 | GROMMET                     | 2     |
| 48  | 93006039000   | Flat-head screw M6          | 2     |
| 49  | J900000601900 | AH oval head screw M6x19    | 2     |
| 50  | J800000600900 | collar                      | 2     |
| 51  | J650001601201 | DAMPER FOR MOUNTING COWLING | 2     |
| 52  | 94805030000   | belly pan rh                | 1     |
| 53  | 94805030020   | bracket belly pan rear rh   | 1     |
| 54  | J650002401600 | Rubber grommet 24x16        | 10    |
| 55  | J900001001600 | BOLT FLANGED                | 1     |
| 56  | 94805030010   | bracket belly pan front rh  | 1     |
| 57  | 94808043020   | bracket belly pan           | 1     |

229480821

59527

\* NEW PART

X ON DEMAND



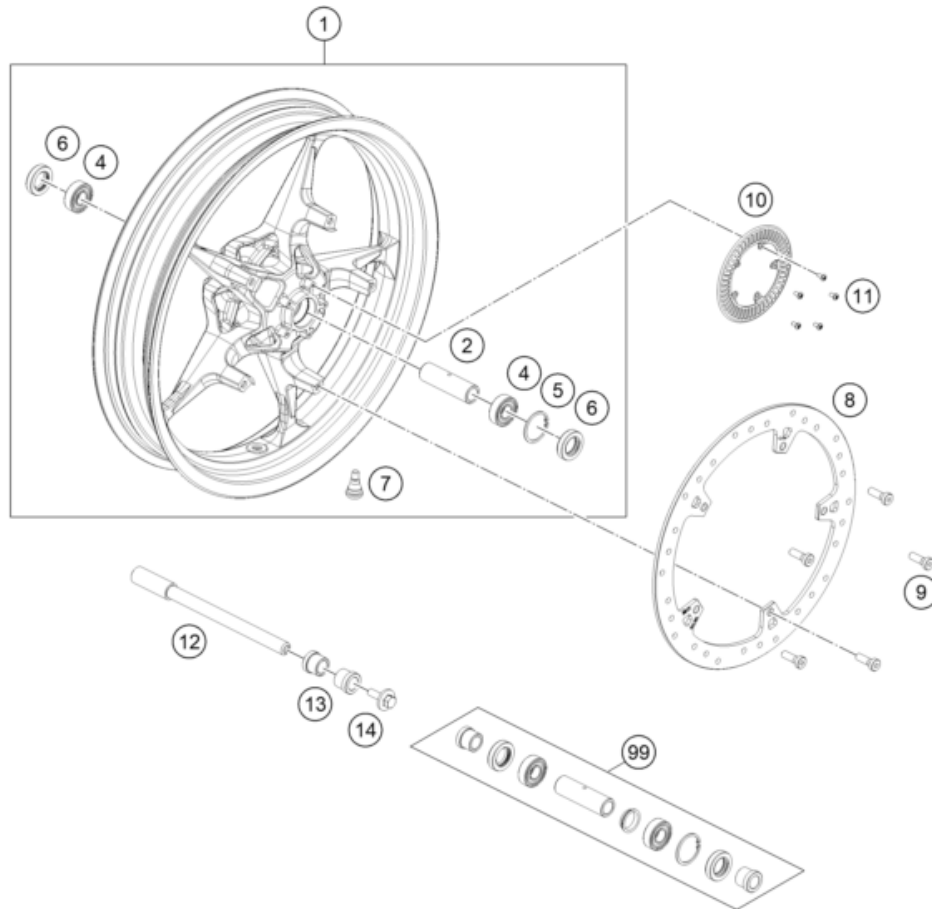
| POS | PARTNUMBER  |                                     | PIECE |
|-----|-------------|-------------------------------------|-------|
| 1   | 94808096020 | Sticker headlight mask bottom right | 1     |
| 2   | 94808095020 | Sticker headlight mask right        | 1     |
| 3   | 94808095010 | Sticker headlight mask left         | 1     |
| 4   | 94808096010 | Sticker headlight mask bottom left  | 1     |
| 5   | 94809098000 | Rim sticker                         | 4     |
| 6   | 61408098000 | DEKOR "KTM" 3D 1290 SUPERD. GT      | 2     |

229480830

59436

\* NEW PART

X ON DEMAND



| POS | PARTNUMBER    |                            | PIECE |
|-----|---------------|----------------------------|-------|
| 1   | 94609101044C1 | FRONT WHEEL BLACK - NON HD | 1     |
| 2   | 94509011000   | SPACER                     | 1     |
| 4   | J410003001300 | BEARING 30X55X13           | 1     |
| 5   | J710005500200 | CIRCLIP INTERNAL           | 1     |
| 6   | J780003955000 | seal oil                   | 2     |
| 7   | 90109076000   | VALVE CPL.                 | 1     |
| 8   | 94509060000   | DISC BRAKE DIA 320         | 1     |
| 9   | J900000602504 | bolt socket M6x25          | 5     |
| 10  | 94542020000   | Sensor wheel, front        | 1     |
| 11  | J900000500800 | BOLT SOCKET M5X0.8         | 5     |
| 12  | 93009081100   | AXLE FRONT MY17            | 1     |
| 13  | 94509012000   | COLLAR                     | 2     |
| 14  | 94509082000   | BOLT FLANGED M24X1.5       | 1     |

229460910

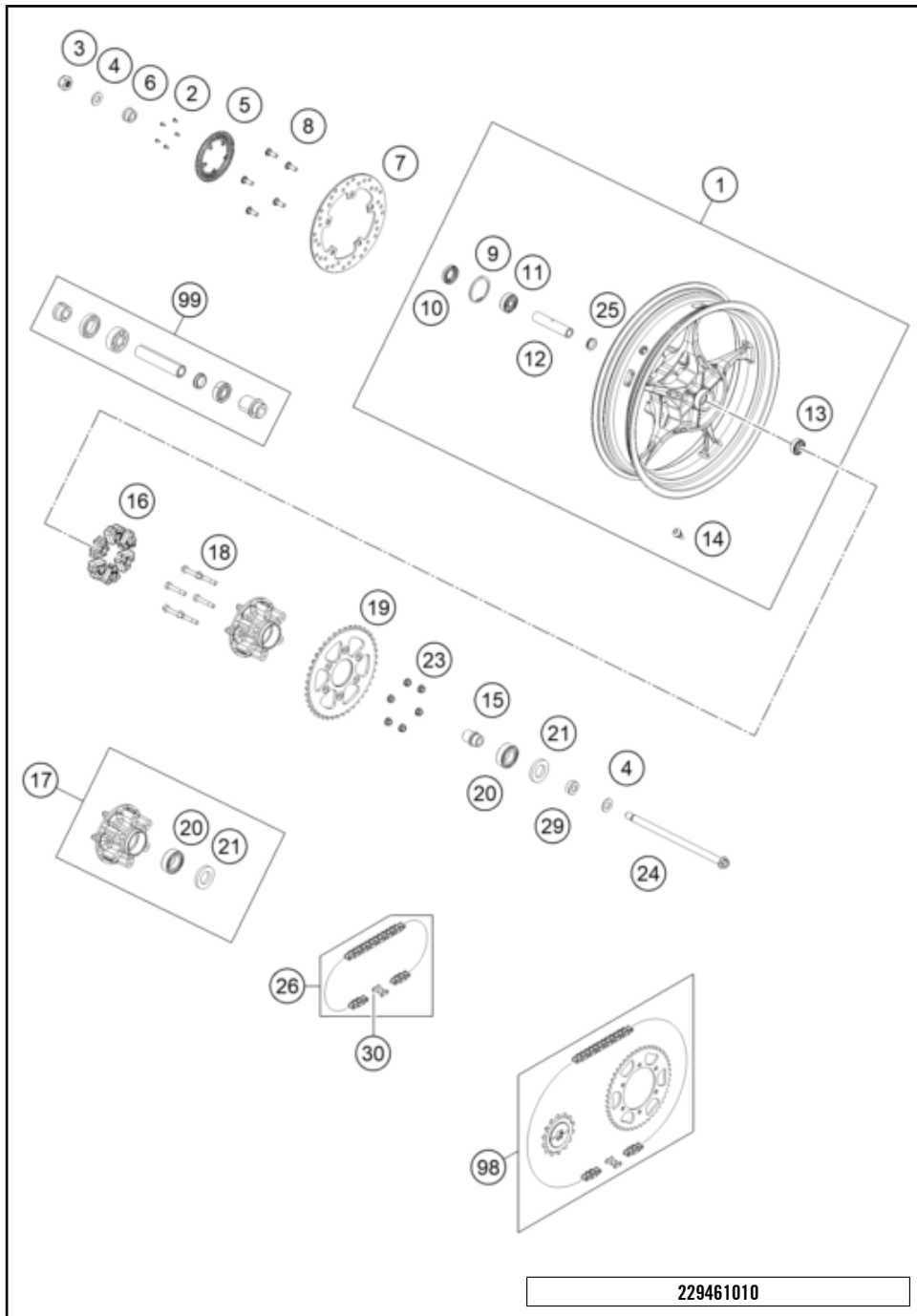
59514

\* NEW PART

X ON DEMAND

# REAR WHEEL

RC 390, blue 2023 EU 2023



229461010

| POS | PARTNUMBER      |                                | PIECE |
|-----|-----------------|--------------------------------|-------|
| 1   | 94610101044C1   | Rear Wheel CPL -RC390 Black    | 1     |
| 2   | J900000500800   | BOLT SOCKET M5X0.8             | 5     |
| 3   | 90210086000     | wheel spindle nut, rear        | 1     |
| 4   | 90610087000     | washer 15.2x30x2               | 2     |
| 5   | 94542020000     | Sensor wheel, front            | 1     |
| 6   | 90110013000     | SPACER BUSHING REAR WHEEL R/S  | 1     |
| 7   | 94510060000     | DISC BRAKE DIA 230             | 1     |
| 8   | 90110062000     | SPECIAL SCREW M8X25 SELF LOCK. | 5     |
| 9   | J472042176      | Lock ring, 42x1.7              | 1     |
| 10  | J760264208      | SHAFT SEAL RING 26X42X8        | 1     |
| 11  | J625063021      | Grooved ball bearing 6302      | 1     |
| 12  | 90110011000     | BEARING SPACER TUBE REAR       | 1     |
| 13  | J625062023      | BALL BEARING 6202              | 1     |
| 14  | 90109076000     | VALVE CPL.                     | 1     |
| 15  | 90610054000     | SPACER BUSHING KRT INSIDE      | 1     |
| 16  | 90210059100     | rear wheel dampening rubber    | 6     |
| 17  | 90210050000     | SPROCKET SUPPORT               | 1     |
| 18  | 90810052000     | SPECIAL SCREW M8X48            | 6     |
| 19  | 94810051044     | SPROCKET -44T                  | 1     |
| 20  | J625062050      | BALL BEARING 6205              | 1     |
| 21  | J760295207      | SHAFT SEAL RING 29X52X7        | 1     |
| 23  | 90510052000     | FLANGED NUT M8X1,25            | 6     |
| 24  | 90210085000     | Axle rear KT03                 | 1     |
| 25  | 90109011001     | Fixation bearing spacer tube   | 1     |
| 26  | 76910065118     | chain DID 118 roll             | 1     |
| 29  | 90110053000     | SPACER CHAIN WHEEL SUPPORT     | 1     |
| 30  | 76910066000     | Rivet link chain DID 520 VP2-T | 1     |
| 98  | SPA2151443K118B | Drivetrain kit 15Z/44Z         | 1     |
| 99  | 90110015100     | REAR WHEEL REP. KIT 390 DUKE   | x     |

59515

\* NEW PART

X ON DEMAND



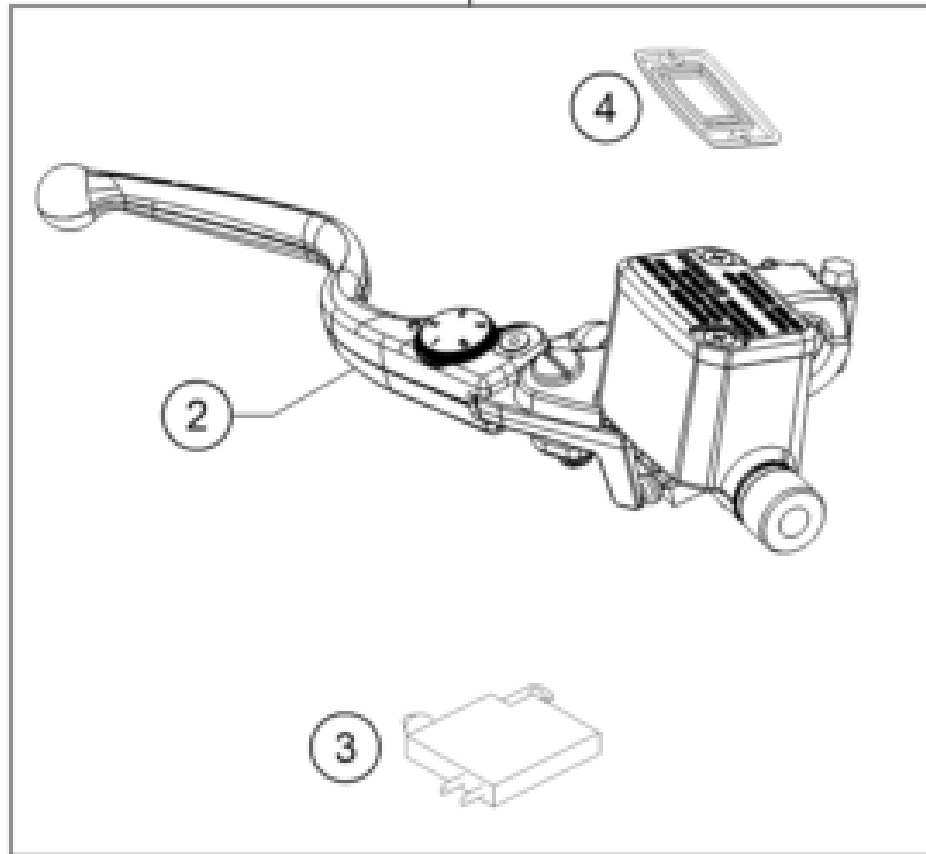
229481110

| POS | PARTNUMBER    |                                  | PIECE |
|-----|---------------|----------------------------------|-------|
| 1   | 94811075000   | harness wiring                   | 1     |
| 2   | 90511030000   | indicator relay                  | 1     |
| 3   | 28111096000   | Transil unit                     | 1     |
| 4   | 95842090000   | SENSOR LEAN ANGLE                | 1     |
| 5   | J025060251    | bolt flanged-m6x1x125xcl8.8xblak | 2     |
| 6   | 90511034000   | voltage regulator                | 1     |
| 7   | J025060303    | FLANGED BOLT M6X30 WS10          | 2     |
| 8   | 94511059000   | cable relay-motor starter        | 1     |
| 9   | 94511063000   | cable earth                      | 1     |
| 10  | 93811099000   | wiring harness temperatur sensor | 1     |
| 11  | 93511084000   | PIGTAIL PH-3 FUEL PUMP           | 1     |
| 12  | J025060122    | Hex collar screw M6X12           | 3     |
| 13  | J797060003    | TOOTHED WASHER M6                | 3     |
| 14  | 94511060000   | horn                             | 1     |
| 15  | 90611057000   | relay (interlock)                | 5     |
| 16  | 75011088010   | FUSE 10A 07                      | 11    |
| 16  | 75011088015   | FUSE 15A 07                      | 4     |
| 16  | 75011088030   | FUSE 30A                         | 1     |
| 17  | 93011058000   | Starter relais                   | 1     |
| 18  | 94511054000   | electric carrier                 | 1     |
| 19  | 90611053000   | BATTERY 12V/8AH                  | 1     |
| 20  | 90508006001   | SOCKET HEAD BOLT M6X12           | 4     |
| 21  | 60006001022   | rubber grommet 9x11x16x8.5 mm    | 4     |
| 22  | 94511055000   | battery grommet box              | 1     |
| 23  | J900000602400 | BOLT SOCKET M6X1                 | 2     |
| 24  | J690000600200 | washer plain                     | 2     |
| 25  | 93311058000   | Rubber damper starter relay      | 1     |
| 26  | 95842092020   | cover sensor lean angle upper    | 1     |
| 27  | 95842092010   | cover sensor lean angle lower    | 1     |
| 99  | 90838091000   | Pigtail oil pressure switch      | 1     |
| 99  | 93042033000   | Cable earth ABS                  | 1     |

58376

\* NEW PART

X ON DEMAND



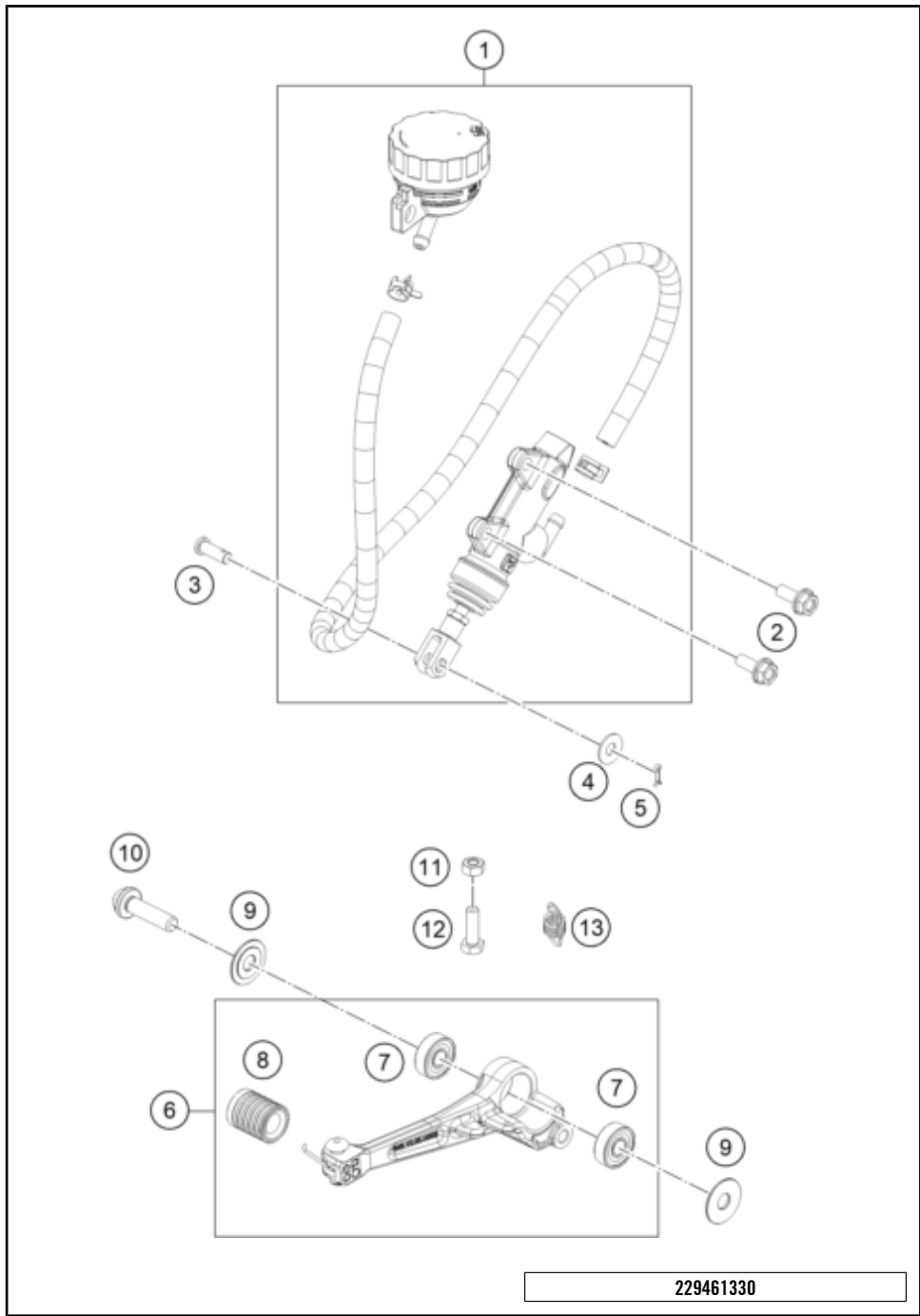
| POS | PARTNUMBER  |                           | PIECE |
|-----|-------------|---------------------------|-------|
| 1   | 93713001000 | MASTER CYLINDER CPL.      | 1     |
| 2   | 93713002033 | Brake lever cpl.          | 1     |
| 3   | 90111050000 | brake light switch, front | 1     |
| 4   | 90113001007 | MEMBRANE                  | 1     |

229481310

58369

\* NEW PART

X ON DEMAND



229461330

| POS | PARTNUMBER    |                               | PIECE |
|-----|---------------|-------------------------------|-------|
| 1   | 94813060033   | CYLINDER ASSEMBLY MASTER REAR | 1     |
| 2   | 90130059000   | HH COLLAR SCREW M6X16         | 2     |
| 3   | J920000602100 | pin clevis dia 6              | 1     |
| 4   | J125070001    | Washer nylon 6.5X16X1         | 1     |
| 5   | J094020153    | splint pin 2x15mm             | 1     |
| 6   | 94513050044   | Rear brake lever compl.       | 1     |
| 7   | J625060800    | BALL BEARING 608              | 2     |
| 8   | 95834035000   | Pedal rubber                  | 1     |
| 9   | 90534031020   | WASHER SHIFTING LEVER         | 2     |
| 10  | 90534034300   | BOLT SHIFT LEVER              | 1     |
| 11  | J934060001    | nut hex thick                 | 1     |
| 12  | J900000602003 | BOLT-KAA ST-D DIA-06 L-20     | 1     |
| 13  | 90113052000   | brake pedal spring            | 1     |

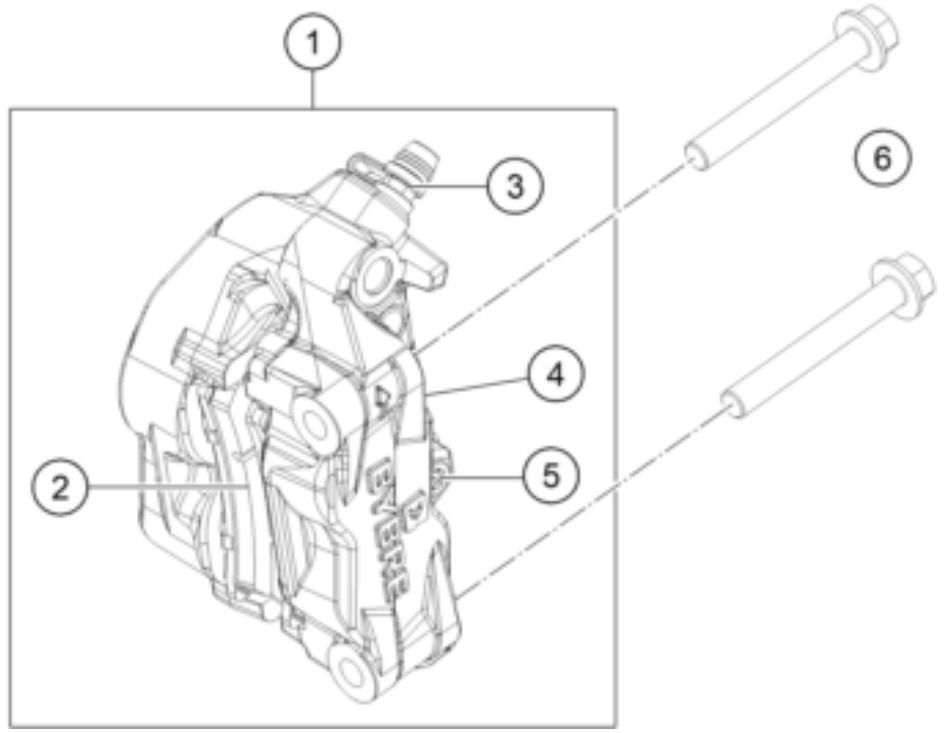
57863

\* NEW PART

X ON DEMAND

# FRONT BRAKE CALIPER

RC 390, blue 2023 EU 2023



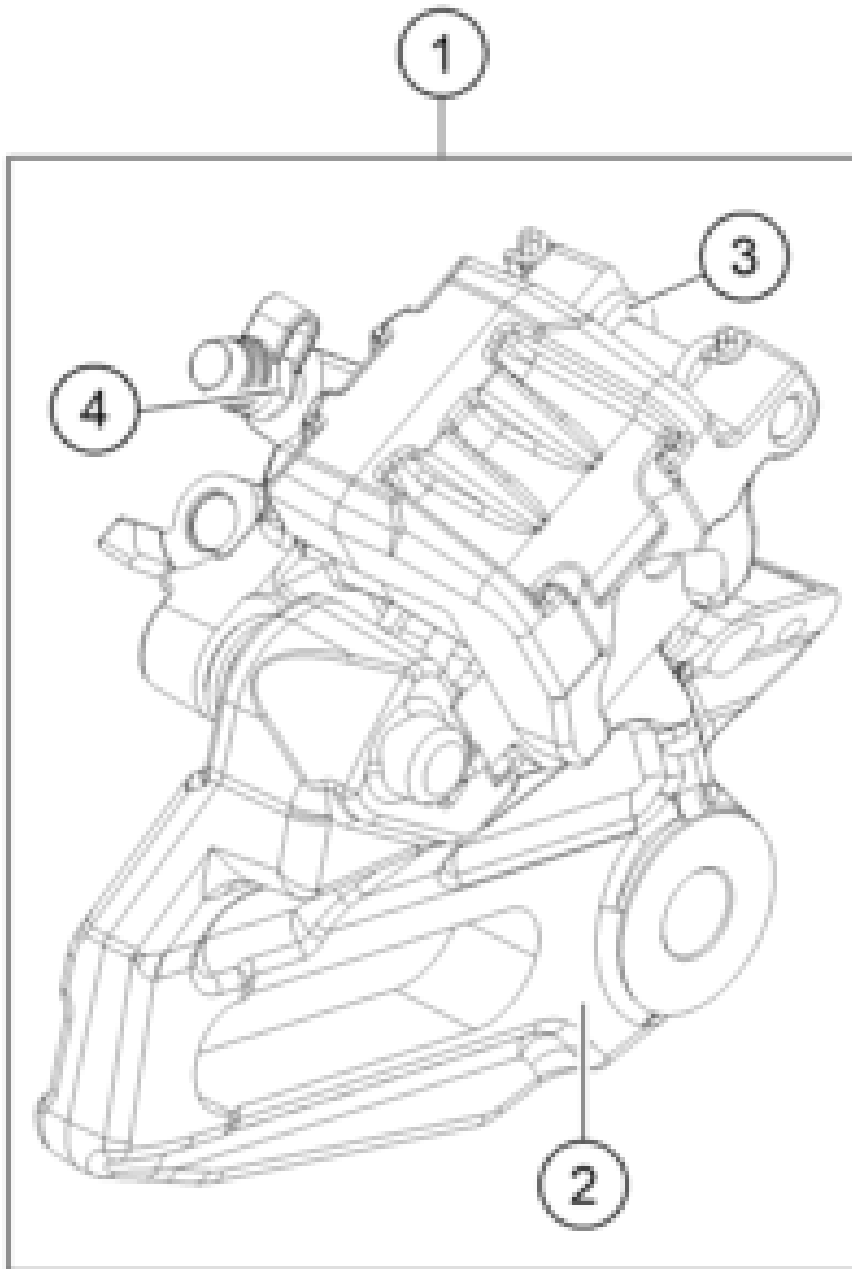
| POS | PARTNUMBER  |                          | PIECE |
|-----|-------------|--------------------------|-------|
| 1   | 94813015000 | CALIPER ASSEMBLY FRONT   | 1     |
| 2   | 90813030000 | BRAKE PAD FRONT TT2910HH | 1     |
| 3   | 90113021000 | BLEEDER SCREW            | 1     |
| 4   | 90113018000 | SPRING CLIP              | 1     |
| 5   | 90113017000 | BOLT F. BRAKE PADS       | 1     |
| 6   | J01008060S  | HH collar screw M8x1x60  | 2     |

229461360

58368

\* NEW PART

X ON DEMAND



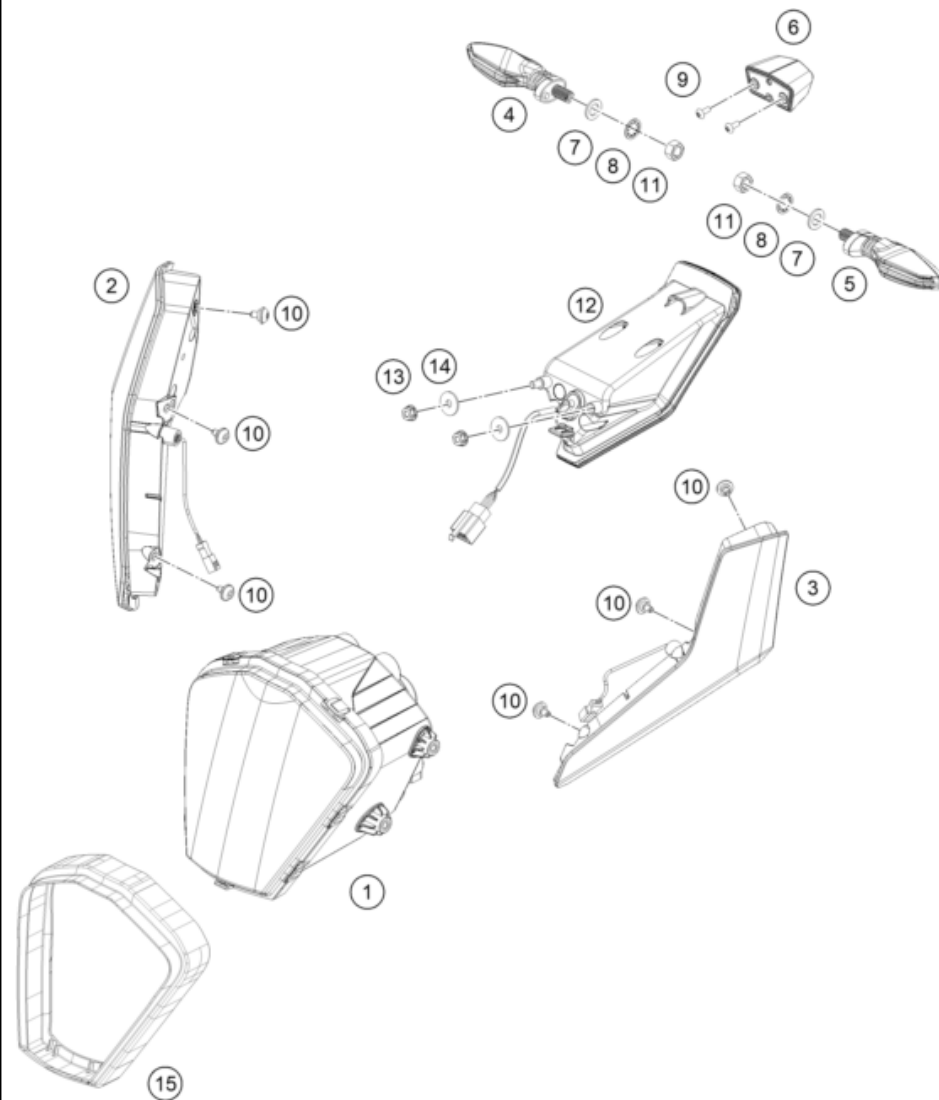
| POS | PARTNUMBER  |                            | PIECE |
|-----|-------------|----------------------------|-------|
| 1   | 94513080000 | CALIPER ASSEMBLY REAR      | 1     |
| 2   | 90113075000 | BRAKE CALIPER SUPPORT REAR | 1     |
| 3   | 90113090000 | REAR BRAKE PADS - SET      | 1     |
| 4   | 90113121000 | BLEEDER SCREW              | 1     |

229461390

57860

\* NEW PART

X ON DEMAND



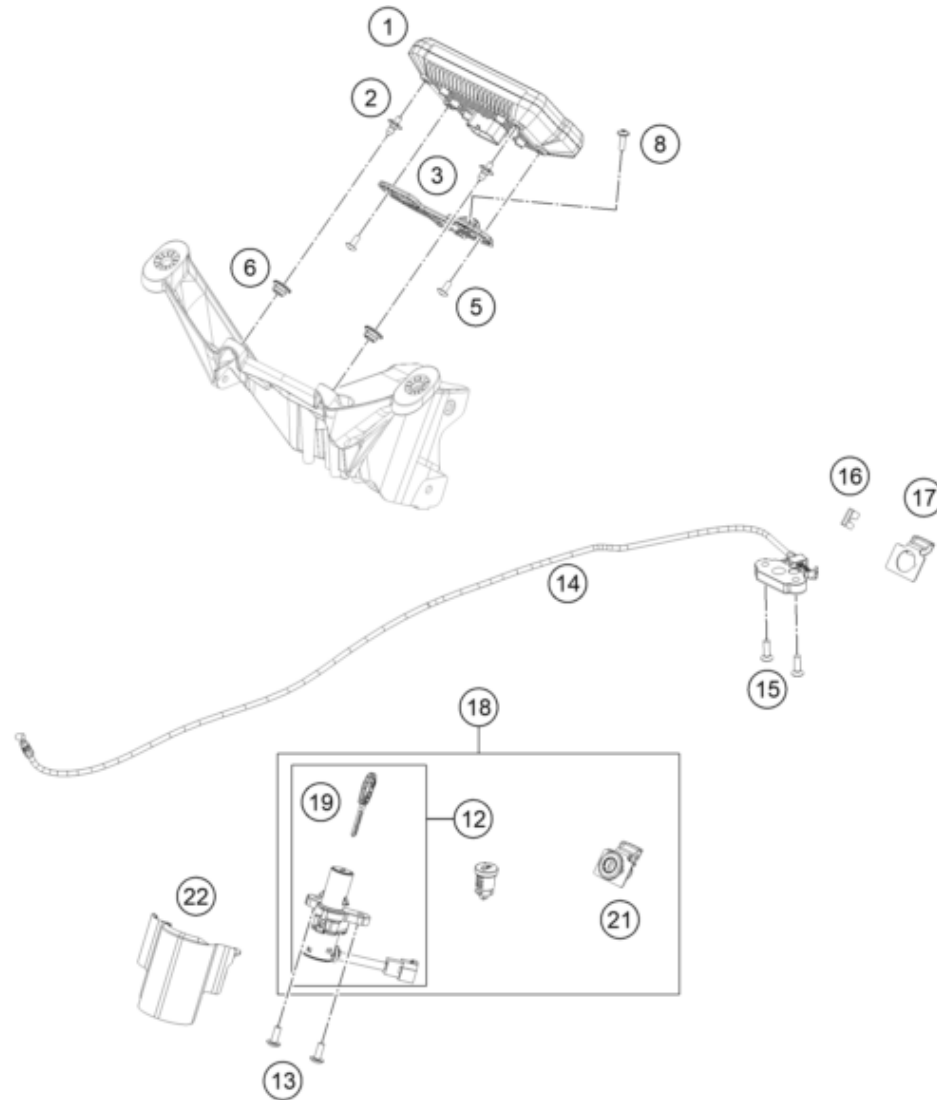
| POS | PARTNUMBER    |                                | PIECE |
|-----|---------------|--------------------------------|-------|
| 1   | 94814001000   | lamp head                      | 1     |
| 2   | 94514026000   | Front right turn signal        | 1     |
| 3   | 94514025000   | Front left turn signal         | 1     |
| 4   | 90514036100   | FLASHER REAR R/S               | 1     |
| 5   | 90514035100   | FLASHER REAR L/S               | 1     |
| 6   | 90114047000   | LICENSE PLATE ILLUMINATION     | 1     |
| 7   | J125100009    | Washer M10                     | 2     |
| 8   | J06797100183  | Toothed washer, M10            | 2     |
| 9   | J081040121    | CROSS PAN SCREW 4X12 PH        | 4     |
| 10  | J900000500900 | Screw button head step M5x6.5  | 6     |
| 11  | J934100001    | Hex nut, M10                   | 2     |
| 12  | 94514040000   | Tail light                     | 1     |
| 13  | J926060000    | FLANGED NUT M6 WS10 SELF LOCK. | 2     |
| 14  | 90814044000   | PLAIN WASHER                   | 2     |
| 15  | 94814001050   | beading lamp head              | 1     |

229461410

58357

\* NEW PART

X ON DEMAND



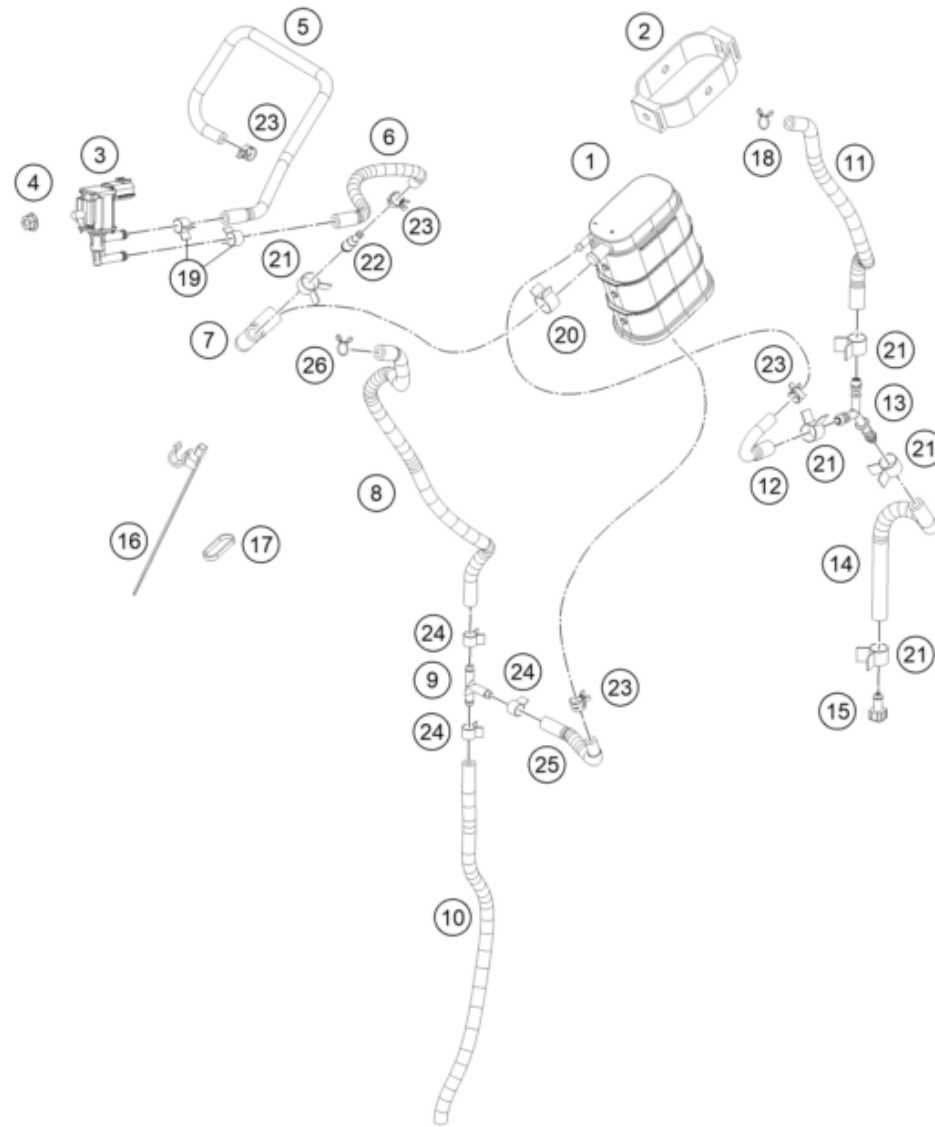
| POS | PARTNUMBER    |                               | PIECE |
|-----|---------------|-------------------------------|-------|
| 1   | 94814069002   | SPEEDOMETER                   | 1     |
| 2   | 94514060010   | PIN SPIGOT                    | 2     |
| 3   | 94614060000   | BRACKET SPEEDOMETER           | 1     |
| 5   | J900000501002 | SCREW TRUSS-M5X0.8XL 10XBLACK | 2     |
| 6   | J650002001100 | GROMMET                       | 2     |
| 8   | J900000601601 | screw m6x1                    | 1     |
| 12  | 21011066000   | ADV. 390 IGNITION SWITCH      | 1     |
| 13  | J900000601601 | screw m6x1                    | 2     |
| 14  | 94507050033   | Seat lock preass.             | 1     |
| 15  | J025060183    | HH COLLAR SCREW M6X18 SW10    | 2     |
| 16  | 90107050151   | PLATE SEAT LOCK               | 1     |
| 17  | 90107050051   | seat lock mounting plate      | 1     |
| 18  | 94611066044   | LOCK 3 IN 1 WITHOUT CAP EVP   | 1     |
| 19  | 90111067100   | BLANK KEY 125/200 DUKE        | x     |
| 19  | 90111067000   | KEY                           | 1     |
| 21  | 90107050050   | SEAT LOCK                     | 1     |
| 22  | 94511068000   | COVER SWITCH IGNITION         | 1     |

229461430

58377

\* NEW PART

X ON DEMAND



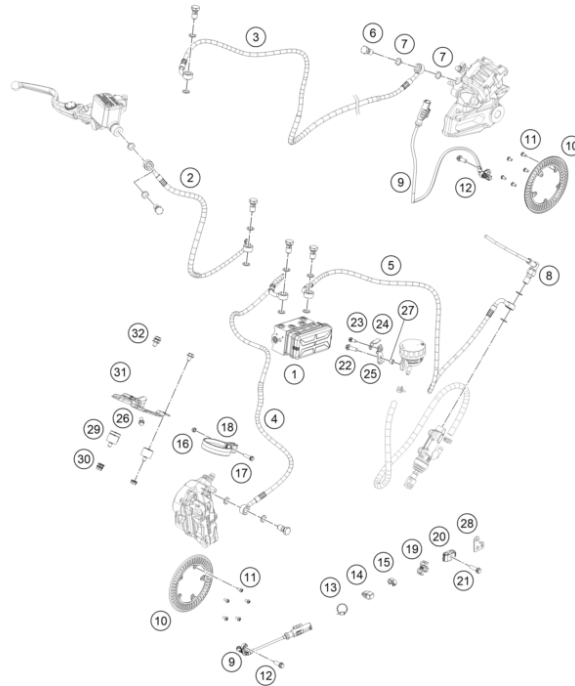
| POS | PARTNUMBER    |                                       | PIECE |
|-----|---------------|---------------------------------------|-------|
| 1   | 93015001000   | Activated carbon filter               | 1     |
| 2   | 94515002000   | STRAP CANISTER                        | 1     |
| 3   | 90607830000   | Valve purge                           | 1     |
| 4   | J926060006    | nut hex flanged                       | 1     |
| 5   | 94515020285   | pipe fuel                             | 1     |
| 6   | 94515020196   | PIPE FUEL                             | 1     |
| 7   | 94515020075   | PIPE FUEL                             | 1     |
| 8   | 94515020383   | Drain hose                            | 1     |
| 9   | J610000600400 | CONNECTOR FOR BREATHER AND VAPOR TUBE | 1     |
| 10  | J600000532300 | Drain hose                            | 1     |
| 11  | 94515020275   | PIPE FUEL                             | 1     |
| 12  | 94515020080   | PIPE FUEL                             | 1     |
| 13  | 90507015000   | CONNECTOR Y SHAPE                     | 1     |
| 14  | 94515020186   | PIPE FUEL                             | 1     |
| 15  | 90515011000   | PLUG FUEL DRAIN                       | 1     |
| 16  | 95835068000   | Strap-clip swivel                     | 1     |
| 17  | 90111093200   | BAND (LENGTH 200MM)                   | 1     |
| 18  | 90107013008   | CLAMP                                 | 1     |
| 19  | 90107018011   | CLAMP 10MM                            | 2     |
| 20  | 90607017001   | SPRING BAND CLAMP 15X10               | 1     |
| 21  | 90607017003   | SPRING BAND CLAMP D13                 | 5     |
| 22  | 90207016004   | CONNECTOR TUBE EVAP                   | 1     |
| 23  | J300000801000 | Spring clip 9.5                       | 4     |
| 24  | 90607017002   | CLAMP D9                              | 4     |
| 25  | 94515020092   | Drain hose                            | 1     |
| 26  | 90507017000   | HOSE CLAMP                            | 1     |

229461510

58375

\* NEW PART

X ON DEMAND



| POS | PARTNUMBER    |                                       | PIECE |
|-----|---------------|---------------------------------------|-------|
| 1   | 94842031044   | ABS Unit WET                          | 1     |
| 2   | 94842001000   | HOSE CYLINDER MASTER FR-UNIT ABS      | 1     |
| 3   | 94842004000   | Brake line, rear                      | 1     |
| 4   | 94842003000   | HOSE UNIT ABS-CALIPER FRONT           | 1     |
| 5   | 94842002000   | HOSE CYLINDER MASTER RR-UNIT ABS      | 1     |
| 6   | 90113013000   | BANJO SCREW                           | 7     |
| 7   | 90113026000   | COPPER GASKET                         | 16    |
| 8   | 90111051000   | brake light switch, rear              | 1     |
| 9   | 96342025000   | Wheel speed sensor                    | 2     |
| 10  | 94542020000   | Sensor wheel, front                   | 1     |
| 11  | J900000500800 | BOLT SOCKET M5X0.8                    | 10    |
| 12  | J900000601606 | BOLT-FLANGE-KAE ST-F DIA-06 L-16      | 2     |
| 13  | 93811093000   | BAND                                  | 3     |
| 14  | JF131871      | Dummy_SPC_Bajajteil<br>CLIP SEPARATOR | 1     |
| 15  | 93813035000   | CLAMP SENSOR CABLE                    | 4     |
| 16  | J910000800500 | NUT NYLOC-M5X0.8XHT. 4.5XCL6XBLK      | 1     |
| 17  | J900000502001 | Sechskantschraube mit Bund M5x20      | 1     |
| 18  | J320001505300 | CLAMP                                 | 1     |
| 19  | 94513026000   | Brake hose bracket                    | 1     |
| 20  | 94801085000   | clamp                                 | 2     |
| 21  | J900000602201 | BOLT-FLANGED-SMALL                    | 2     |
| 22  | J025060181    | Hex collar screw M6X18                | 1     |
| 23  | J025050103    | HH-COLLAR SCREW M5X10                 | 1     |
| 24  | 93013068010   | Bracket, reservoir                    | 1     |
| 25  | 93013068000   | Sheet                                 | 1     |
| 26  | J025060109    | HH-COLLAR SCREW M6X10 SW8             | 2     |
| 27  | 93035065020   | Spacer bushing                        | 1     |
| 28  | 94513046000   | PLATE CLAMP                           | 1     |
| 29  | 90106001007   | SILENT BLOCK AIRFILTER                | 3     |
| 30  | J926060000    | FLANGED NUT M6 WS10 SELF LOCK.        | 3     |
| 31  | 90642040000   | BRACKET ABS MOUNTING                  | 1     |
| 32  | J900000601801 | bolt-flange-kad st-f dia-06 l-08      | 3     |

239484210

62084

\* NEW PART

X ON DEMAND

A large, empty rectangular box with a thin black border, occupying the majority of the page. It is intended for the user to write their notes.



# KTM.COM



F5303W2EN

KTM Sportmotorcycle GmbH  
5230 Mattighofen, Austria  
[www.ktm.com](http://www.ktm.com)

**KTM** POWERPARTS

**KTM** POWERWEAR

**KTM** ORIGINAL SPARE PARTS

