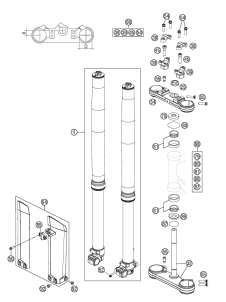
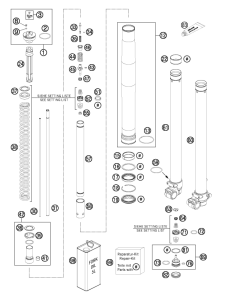
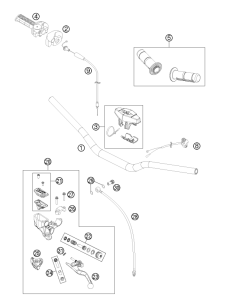
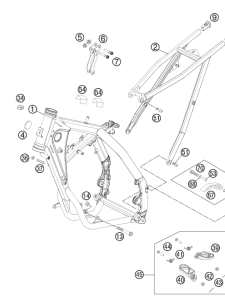
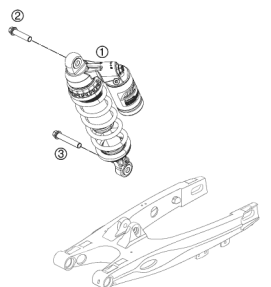
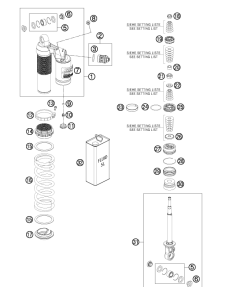
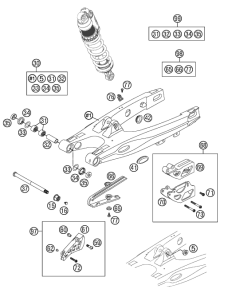
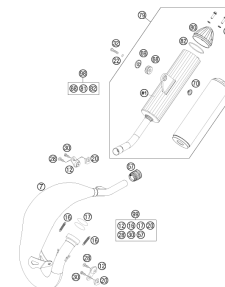
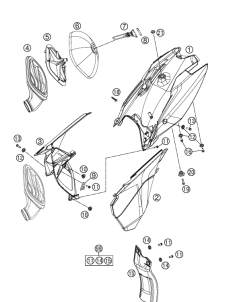
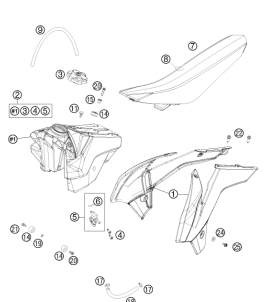
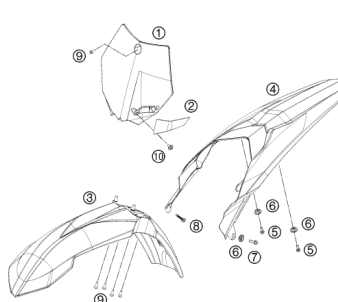
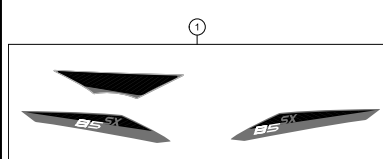
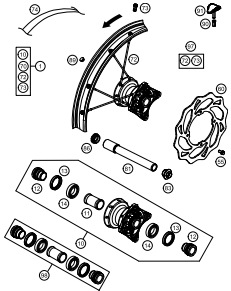
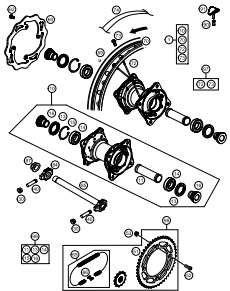
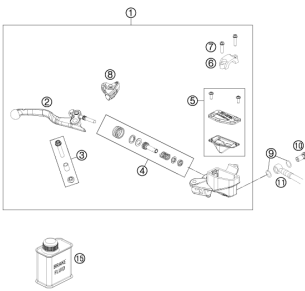
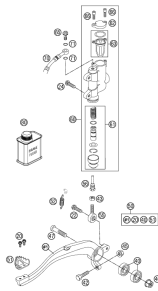
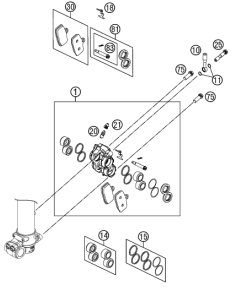
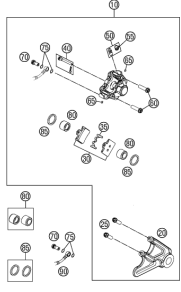
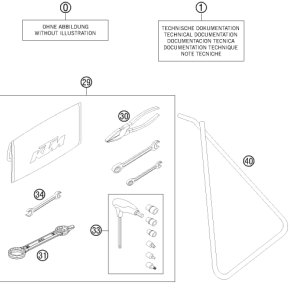
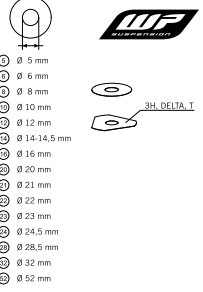


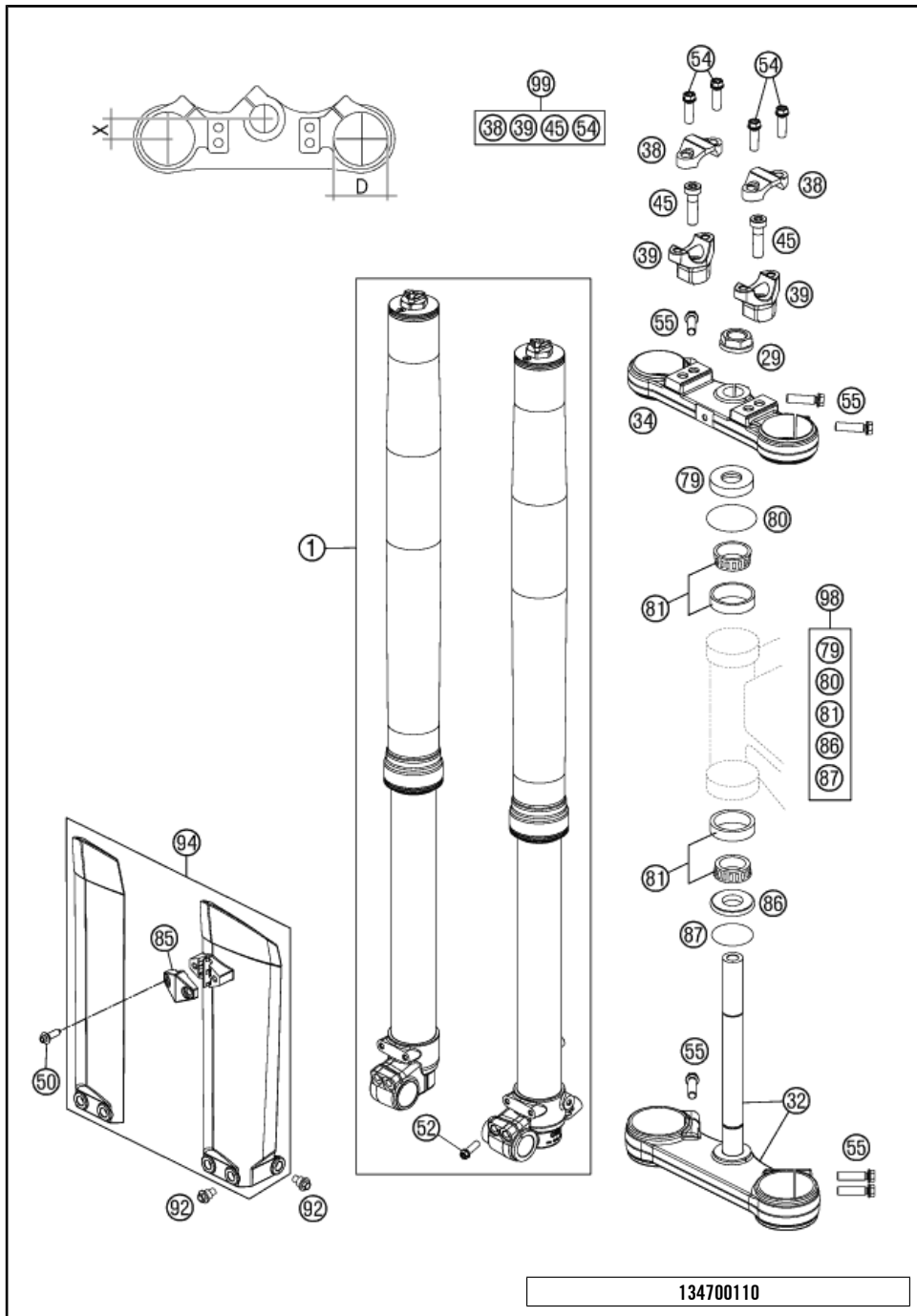
85 SX 17/14 2013

ART.-NR.: 3CFF6001M8EN



<p>FRONT FORK, TRIPLE CLAMP</p>  <p>3</p>	<p>FRONT FORK DISASSEMBLED</p>  <p>4</p>	<p>HANDLEBAR, CONTROLS</p>  <p>6</p>	<p>FRAME, SUBFRAME</p>  <p>7</p>
<p>MONOSHOCK</p>  <p>8</p>	<p>MONOSHOCK DISASSEMBLED</p>  <p>9</p>	<p>SWING ARM</p>  <p>10</p>	<p>EXHAUST SYSTEM</p>  <p>11</p>
<p>AIRBOX</p>  <p>12</p>	<p>TANK, SEAT, COVER</p>  <p>13</p>	<p>MASK, FENDERS</p>  <p>14</p>	<p>DECAL</p>  <p>15</p>

<p>FRONT WHEEL</p>  <p style="text-align: right;">16</p>	<p>REAR WHEEL</p>  <p style="text-align: right;">17</p>	<p>HAND BRAKE CYLINDER</p>  <p style="text-align: right;">18</p>	<p>REAR BRAKE CONTROL</p>  <p style="text-align: right;">19</p>
<p>BRAKE CALIPER FRONT</p>  <p style="text-align: right;">20</p>	<p>BRAKE CALIPER REAR</p>  <p style="text-align: right;">21</p>	<p>ACCESSORIES KIT</p>  <p style="text-align: right;">22</p>	<p>WP SHIMS FOR SETTING</p>  <p style="text-align: right;">23</p>
<div style="display: flex; align-items: center;"> <div style="background-color: #cccccc; width: 50px; height: 100px; display: flex; align-items: center; justify-content: center; margin-right: 20px;"> ! </div> <div> <p>All information contained is without obligation. KTM Sportmotorcycle GmbH particularly reserves the right to modify any equipment, technical specifications, prices, colors, shapes, materials, services, service work, constructions, equipment and the like so as to adapt them to local conditions or to cancel any of the above items, all without previous announcement and without giving reasons. KTM may stop manufacturing certain models without previous notice. KTM shall not be held liable for any deviations of availability and/or ability to deliver, illustrations, descriptions, printing and/or other errors. The illustrated models partly contain extra equipment, which is not applied to standard models.</p> <p>© by KTM Sportmotorcycle GmbH, Mattighofen AUSTRIA; All rights reserved; Reprint, also in extracts, with written allowance of KTM Sportmotorcycle GmbH, Mattighofen only.</p> </div> </div>			

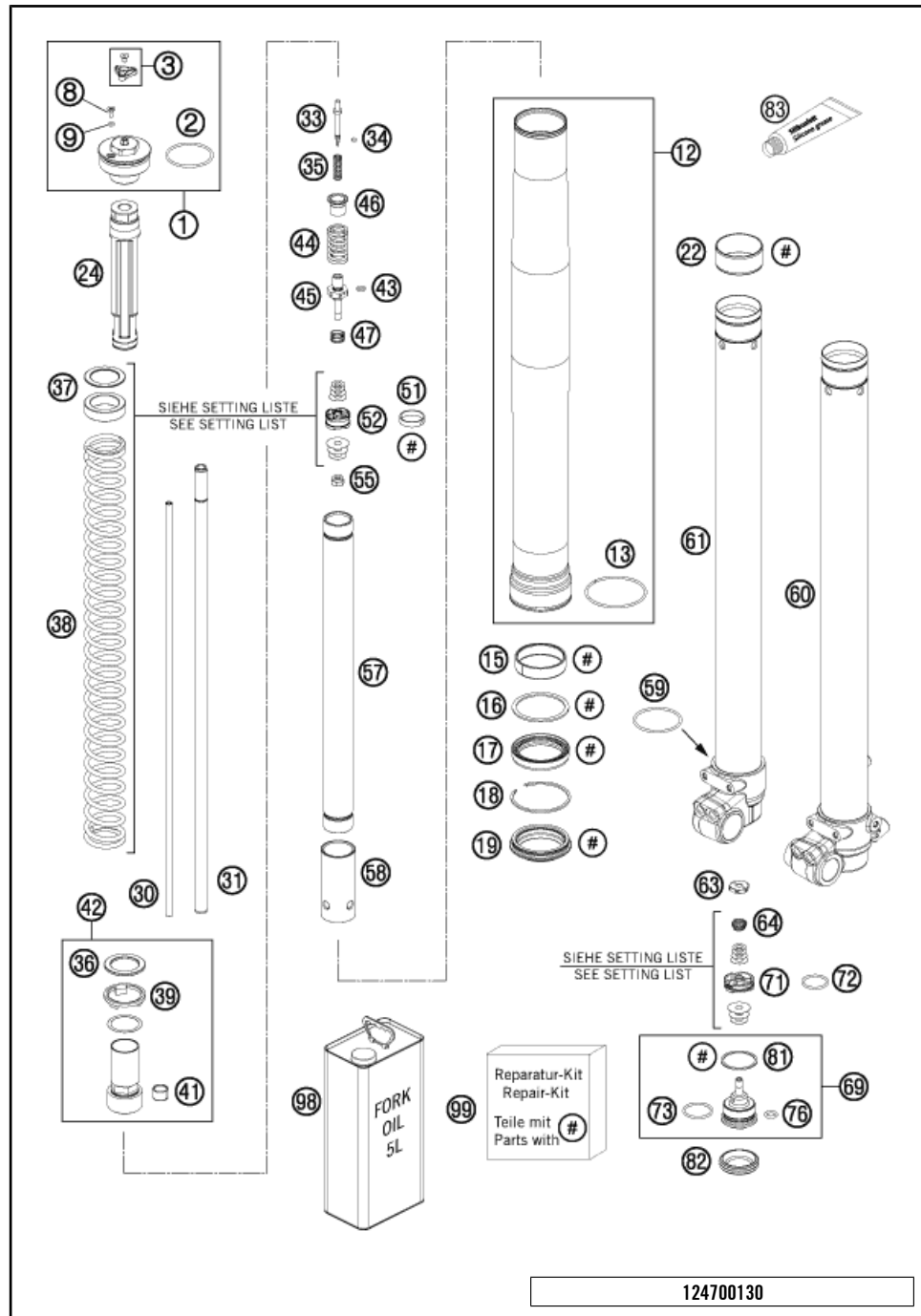


POS	PARTNUMBER	PARTNAME	PIECE
1*	05187M0501	FORK WP 85SX 2013	1
29	59030029000	HH NUT M20X1,5 WS=27 RIGHT	1
32	47001032014	BOT.TRIPLE CLAMP CPL. 85 SX 03	1
34*	47101034014	TOP FORK PLATE 85 SX	1
38*	77201038000	HANDLEBAR CLAMP 28MM	2
39*	59401039037	HANDLEB.SUPP. D=28MM H=37MM 05	2
45*	0032100356S	AH-COLLAR SCREW M10X35 ISA45	2
50	0017060206	SCREW F. PLASTIC K60X20AL SW6	2
52	0025080206	HH COLLAR SCREW M8X20 TX40	4
54*	0025080256	HH COLLAR SCREW M8X25 TX40	4
55	0025080306	HH COLLAR SCREW M8X30 TX40	6
79	49001086000	COVERING CAP	1
80	0770021300	O-RING 40,94X2,62 NBR70	1
81	49001081000	TAPERED ROLLER BEARING 32004X	2
85	7800108500028	CLAMP F. SPEED. CABLE D=6MM 08	1
86	46001086000	PROTECTION RING 20,1X39X5	1
87	0770360030	O-RING 36,00X3,00 NBR	1
92	59001092050	SPECIAL SCREW M6X12,5 WS=8	6
94	4710109400028	FORK PROTECTOR SET 85SX WHITE	1
98	00050000931	STEERING HEAD REP. KIT MINI	x
99	00050000921	HANDLEBAR SUPPORT KIT D28/H37	x

134700110

C134700110

* NEW PART X ON DEMAND

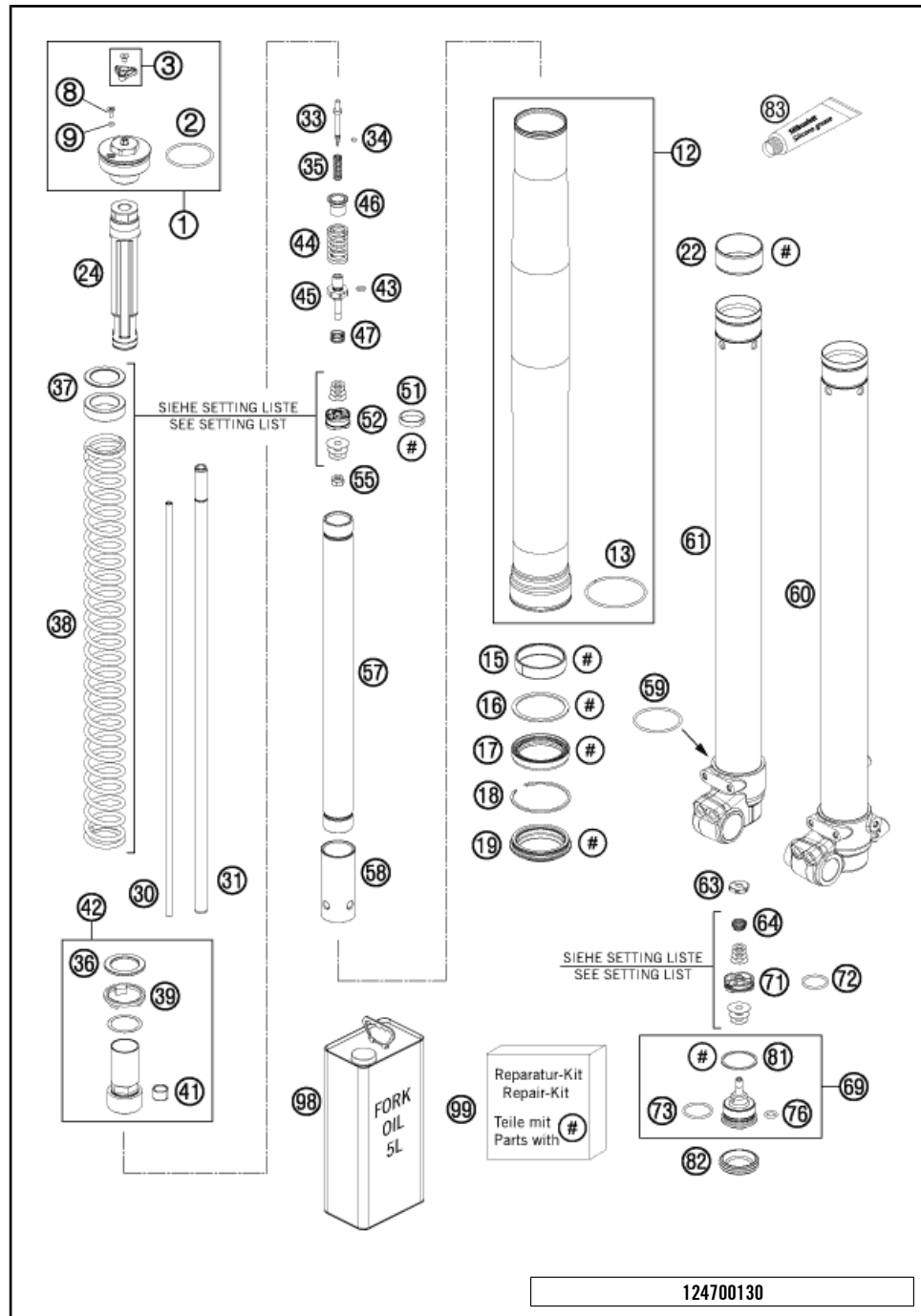


POS	PARTNUMBER	PARTNAME	PIECE
1	43570395S1	SCREW CAP M4X1,5 CPL.	2
2	46811042	O-RING 40,00X2,00 WP	2
3	48600812S	ADJUSTING KNOB + SCREW	2
8	48600481	VENT SCREW M4X8	2
9	48600046	O-RING NBR 3X1,5	2
12	43570614E	OUTER TUBE L510 D49/53	2
13	43570099	GUIDING RING D=53MM	2
15*	43570618	GUIDE BUSHING 43X47X12	2
16	43570092	SUPPORT RING 45 X 52,5 X 1,5	2
17	43570201	OIL SEAL RING 43 X 52,9 X 9,5	2
18	43570008	LOCK WASHER SB53	2
19	43570202	DUST STRIPPER 43 X 53,4 X 11,8	2
22*	43570617	GUIDE BUSHING 42X44X20 R11	2
24	43570396S	STOP L135MM D28,6MM D12MM CPL.	2
30	48600695	ADJUSTMENT TUBE L=442 MM	2
31	48600694	PISTON ROD D=12MM L=476MM	2
33	48600277	ADJUSTER NEEDLE 07	2
34	48600298	O-RING 2X1,5 NBR	2
35	48600444	REBOUND SPRING C=4N/MM	2
36	43570133	SPACER 26X38X2,5	2
37	43570133	SPACER 26X38X2,5	2
37	43570134	SPACER 26X38X5	2
37	43570135	SPACER 26X38X10	2
37	43570136	SPACER 26X38X1,5	2
38	95010032S	SPRING 3,4 N/MM SET D=4,4MM	x
38	95010033S	SPRING 3,6 N/MM SET	x
38	95010031S	SPRING 3,2 N/MM SET D=4,2MM	x
39	43570131	INTERM. RING 26,2X38,5X3	2
41	48600430	DU BUSH FOR PISTON ROD	2
42	48600830S2	SCREW SLEEVE M27X0,8 CPL.	2
43	48600299	O-RING 6X1,2 NBR	2
44	48600511	REBOUND SPRING L=32 C=17	2
45	48600513	TAP REBOUND 07	2
46	48600525	GUIDING BUSH REBOUND SPRING	2
47	48600382	SHUTTLE VALVE SPRING C=0,4	2
51	48600455	PISTON RING 5X1X68	2
52	48600575	PISTON REBOUND SX 2007	2
55	40540486	NUT M6X0,5 REBOUND	2

124700130

C134700130

* NEW PART X ON DEMAND

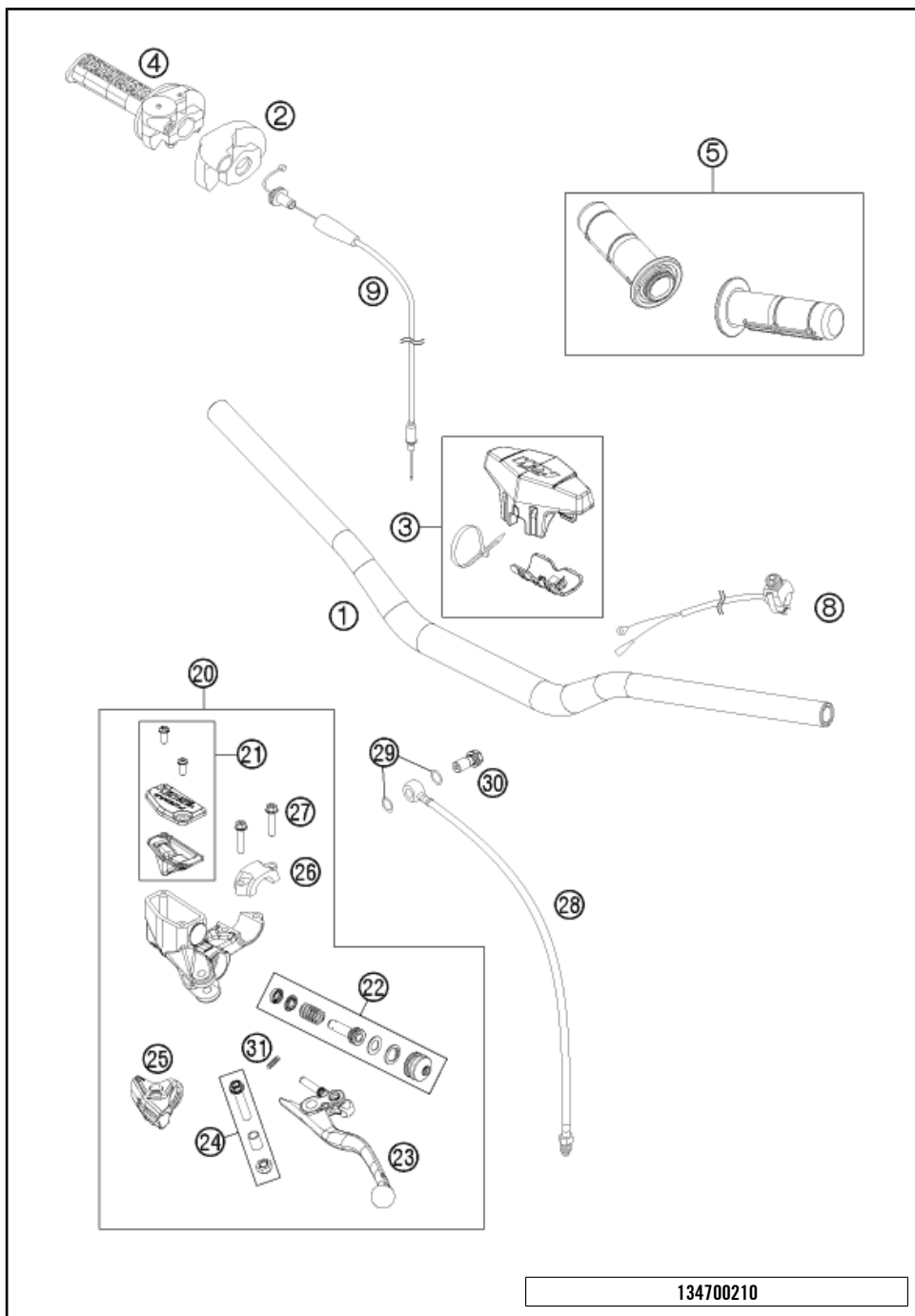


POS	PARTNUMBER	PARTNAME	PIECE
57	48600870	TUBE 23 L=330	2
58	48600764	ADAPTER SLEEVE D23/D28	2
59	43570023	O-RING NBR 41X2	2
60*	43570559S1	AXLE CLAMP L/S + TUBE CPL.	1
61*	43570558S1	AXLE CLAMP R/S + TUBE CPL.	1
63	48600885	NUT VALVE M6X0,5 LH=1,2	2
64	48600202	SPRING CHECK VALVE D=0,7	2
69	48600586S	% TAP COMPRESSION CPL. 07	2
71	48600047	PISTON COMPRESSION D=27,9	2
72	46811499	O-RING NBR 21X2	2
73	35480320	O-RING NBR 24X2	2
76	48600049	O-RING NBR 8X2	2
81	48600004	COPPER WASHER 29,5X33,5X1	2
82	48600141	RUBBER CAP D=35MM	2
83	T511	SILICONE GREASE F. DUST STRI	1
98	48601166S1	FORK OIL SAE4 5L	1
99	R511	REPAIR-KIT	1

124700130

C134700130

* NEW PART X ON DEMAND



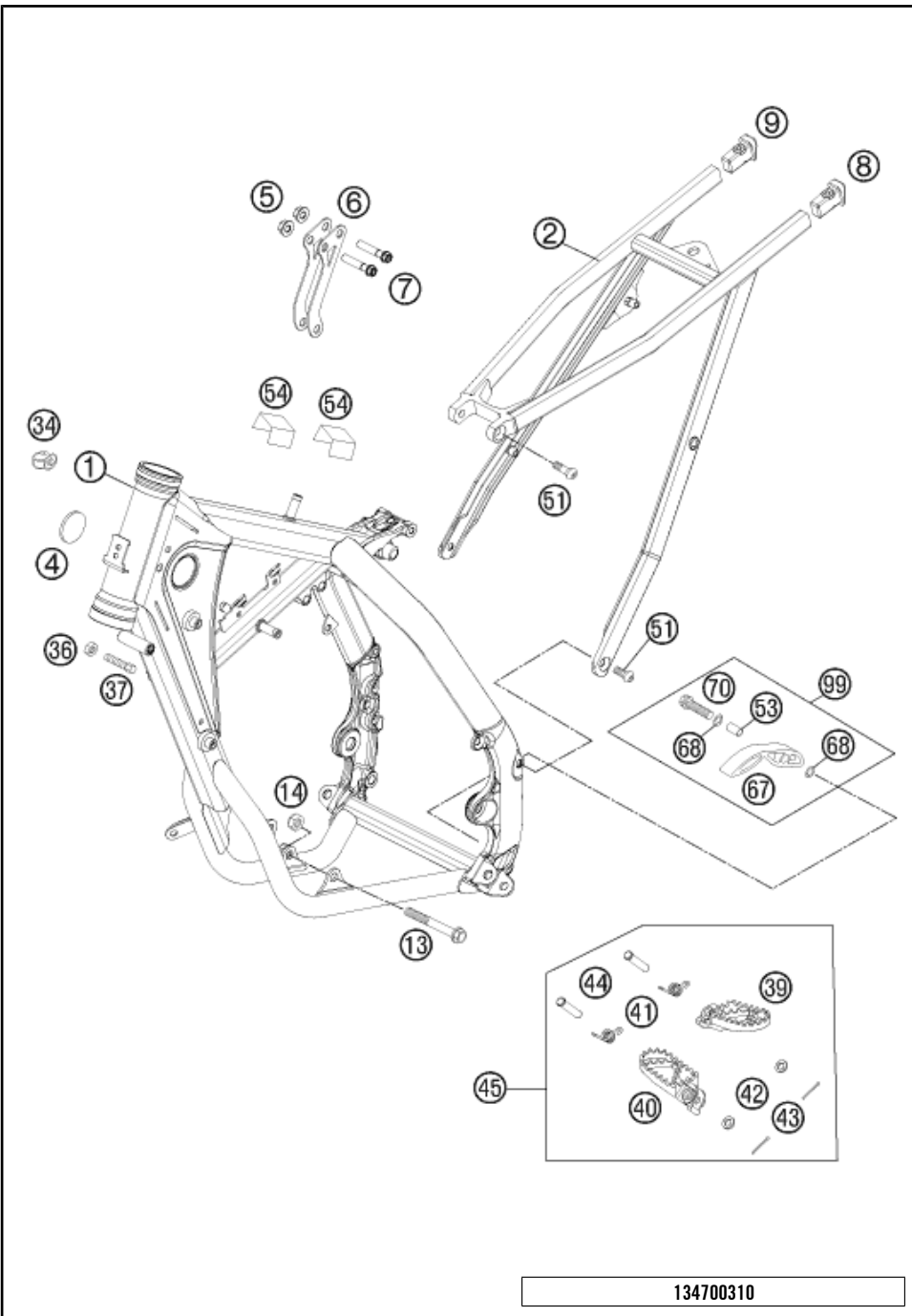
134700210

POS	PARTNUMBER	PARTNAME	PIECE
1*	47102001000	HANDLEBAR 85SX 2013	1
2	50302020000	PROTECTION COVER '97	1
3	77202002144	BAR PAD CPL.	1
4	50302010000	%THR.TWIST CRIP CPL. W.O C.'97	1
5	63002021100	GRIP SET DUAL COMPOUND	1
8	50311089200	SHORT CIRCUIT BUTTON 02	1
9*	51502091100	THROTTLE CABLE 2T.DOM/KEIH. 13	1
20*	72002030000	MASTER CYLINDER CPL. 9,5MM	1
21*	72002003000	COVER F. MASTER CYLINDER CPL.	1
22*	47002032000	REP. SET PISTON 9,5MM	1
23*	70013002000	LEVER CPL.	1
24*	70002038000	LEVER SCREW CPL.	1
25*	72002037000	MUDCOVER CLUTCH LEVER	1
26*	72013005000	CLAMP	1
27*	0025060256	HH COLLAR SCREW M6X25 TX30	2
28*	47132063000	CLUTCH PIPE	1
29*	0770080019	O-RING 8,00X1,00 FORMULA	2
30*	47013025000	HOLLOW SCREW BRAKE CYLINDER 03	1
31*	72002035000	SPRING FOR CLUTCH LEVER	1

C134700210

* NEW PART

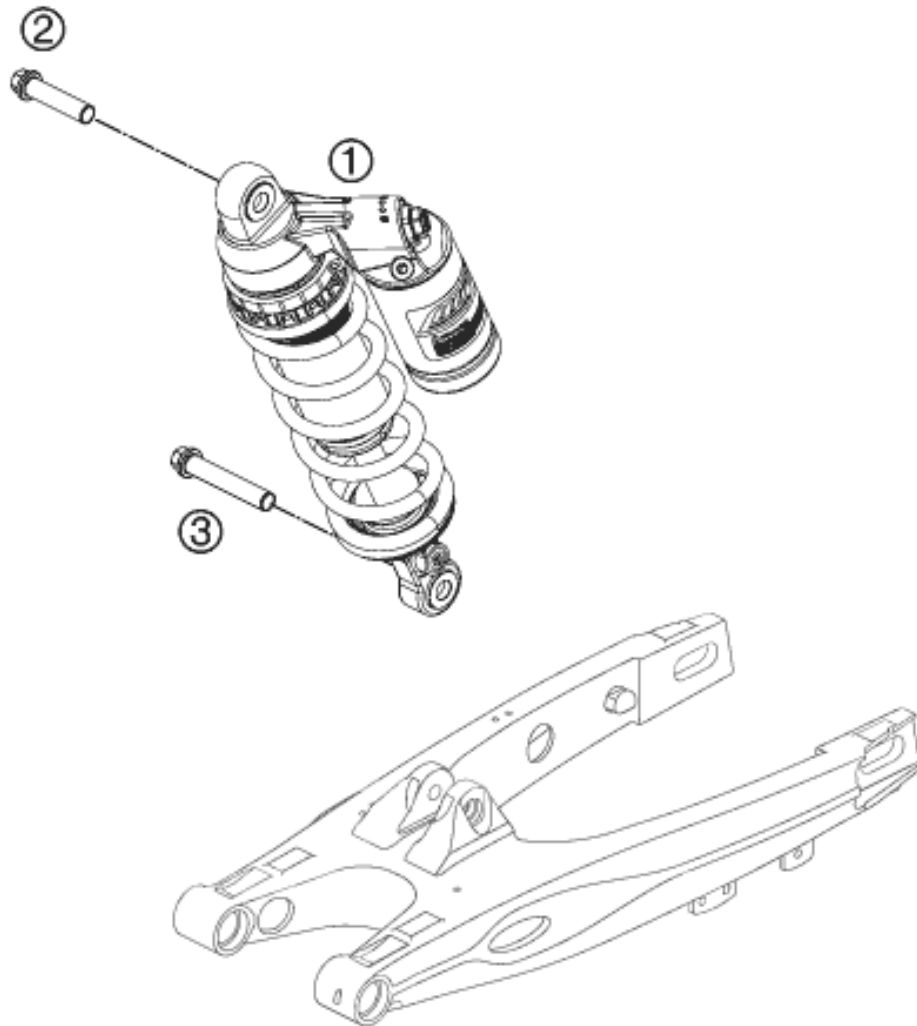
X ON DEMAND



POS	PARTNUMBER	PARTNAME	PIECE
1*	47103001000BE	FRAME "471M3" ANTHR.-MET.	1
2*	47103002000	SUB FRAME	1
4	54606004000	PLUG 37MM	2
5	54310086200	SELF LOCKING NUT M8 10.9	3
6	47103013000	% REINFORCING	2
7	0025080356	HH COLLAR SCREW M8X35 TX40	3
8	78003002010	% SUB FRAME APPLICAT. LEFT 08	1
9	78003002020	% SUB FRAME APPLICATION R/S 08	1
13	47003013000	ENGINE BRACKET SCREW 85 SX	2
14	54310086100	SELF LOCKING NUT M10 CU WS=14	2
34	58111076000	CABLE SUPPORT KHS NR.150-47610	2
36	0934080003	HEXAGON NUT DIN0934-M 8	2
37	59001037000	SPECIAL SCREW M8X26 WS=10	1
39	59003040050	% FOOT PED L/S EXC SILVER 00	1
40	59003041050	% FOOT PED R/S EXC SILVER 2000	1
41	54603041000	FOOTREST SPRING L/S & R/S	2
42	0125100003	WASHER DIN0125-A10,5	2
43	0094032253	PIN DIN0094-3,2X25 STEEL	2
44	54803044000	PIN FOR FOOT PED 51.5X9.8 MM	2
45	4700304003390	% FOOTPEG L.+R. CPL. 85 SX 03	1
51	0019080206S	FLAT HEAD SCREW M. ISA45 M8X20	4
53	51103053051	BUSHING 8,2X10X20	1
54*	50307012000	ADH. FOIL TRANSP. 80X80 MM 04	2
67	51103053000	CHAIN SLIDING PIECE BELOW '97	1
68	36003014000	LOCK WASHER 8MM	2
70	0025080306	HH COLLAR SCREW M8X30 TX40	1
99*	51103053110	CHAIN SLIDING KIT BELOW MINI	1

* NEW PART

X ON DEMAND



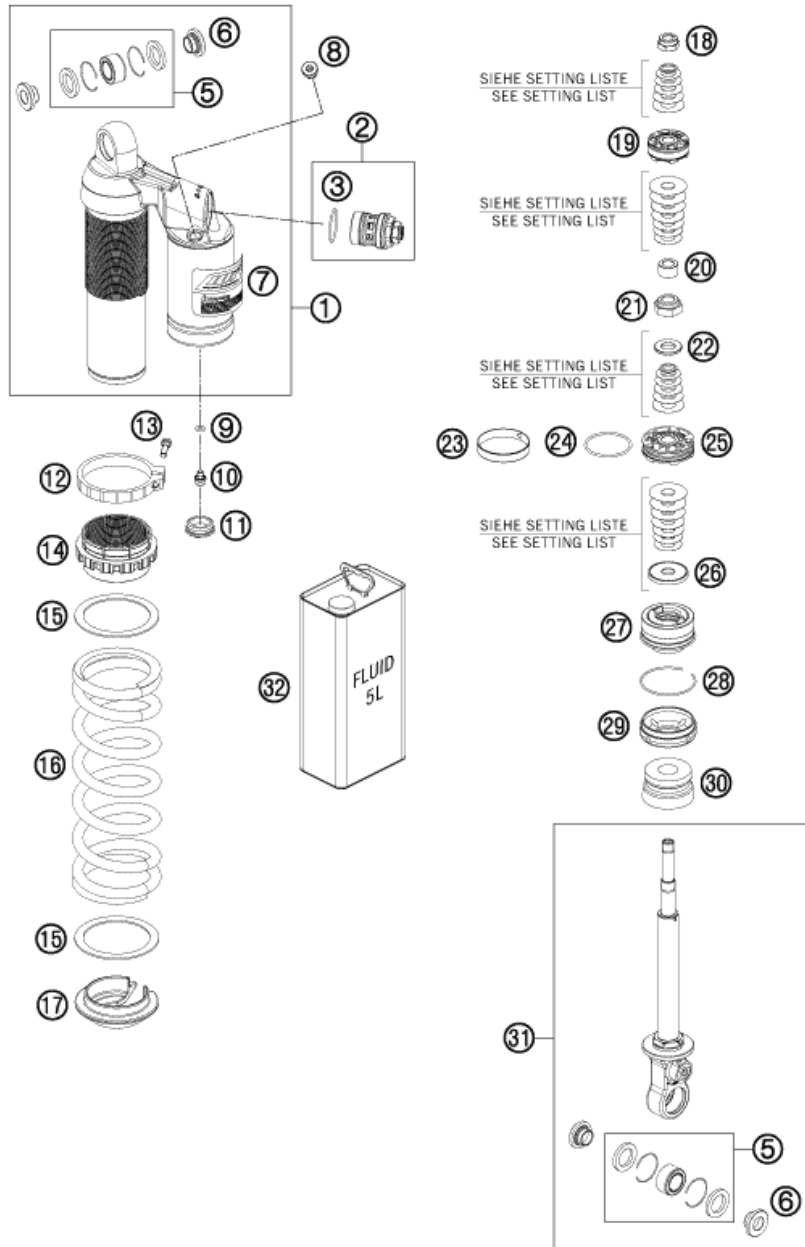
POS	PARTNUMBER	PARTNAME	PIECE
1*	15187M0201	MONOSHOCK 85SX 2013	1
2	0025120506S	HH COLLAR SCREW M12X50 TX45	1
3*	0015120556S	HH COLLAR M12X55 WS=13 06	1

134700410

C134700410

* NEW PART

X ON DEMAND



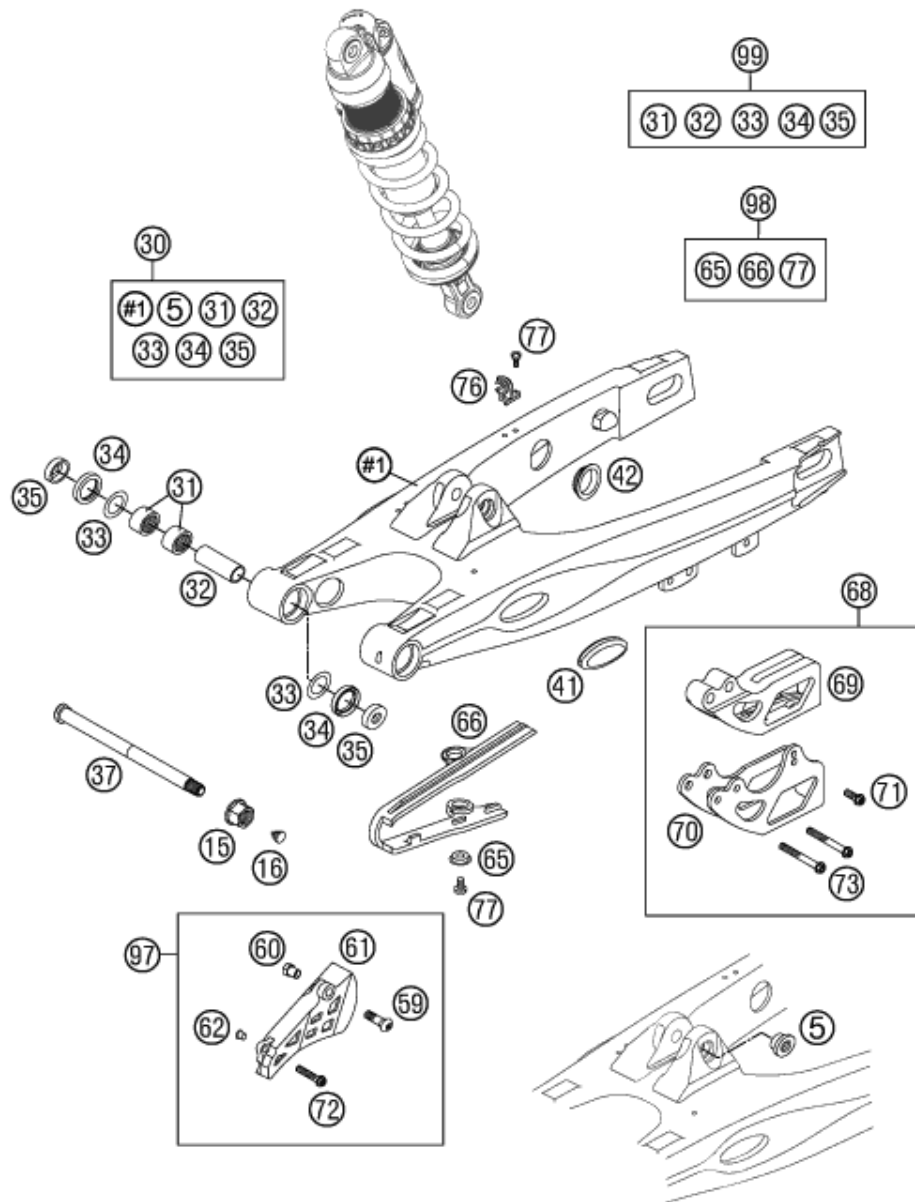
POS	PARTNUMBER	PARTNAME	PIECE
1*	46181019S1	MONOSHOCK CASE CPL.	1
2*	50180213S12	DCC-COMPR.DAMP.CONTROL CPL. 09	1
3	50180217	O-RING 27X1,5 VITON	1
5	R12012	REP. KIT BEAR./SEAL UP. 07	2
6	46180007	ADAPTOR BUSH KGW 12X24	4
7	52000087	STICKER WP MONOSHOCK	1
8	50180095	BLEED PLUG R 1/8	1
9	46810893	O-RING NBR 5,28X1,78	1
10	36120151	SCREW PLUG M5X6	1
11	46811208	RUBBER CAP "DO NOT OPEN"	1
12	46181014	TENSIONING RING D64 H10	1
13	14460042	%ALLENHEAD SCREW M5 L=20 STAIN	1
14	46181013	ADJUSTING NUT D46 PLASTIC	1
15	50180410	INTERM.RING D=58	2
16	91010272	SPRING 215 30 N/MM D=9,00 ORAN	x
16	91010273	SPRING 215 35 N/MM D=9,25 ORAN	1
16	91010274S	SPRING 215 40 N/MM D=9,50 ORG	x
17	46180349	SPRING WASHER H=15 D=28	1
18	46180356	PISTON ROD NUT M10X1	1
19	14460016	PISTON + PISTON SPRING	1
20*	46181025	SANDWICH BUSH 10X17X17	1
21	46810474	PISTON ROD NUT	1
22	46811258	RING 12X24X2,5	1
23	46811206	PISTON RING 8X46	1
24	46810035	O-RING VITON 37,82X1,78	1
25	46810560	PISTON 6+6D7	1
26*	46180337	REBOUND DISC H=4	1
27	46180669S	ADAPTOR CPL. D=46 H=28 07	1
28	46810010	CIRCLIP 49X1,5	1
29	46180338	CAP D=46 H=9,5	1
30*	50180276	BUMP RUBBER WP60 D=18-26	1
31*	46180520S5	MONOSHOCK LOWER PART	1
32	50180751S1	SHOCK ABSORBER FLUID 5 LT	1

134700430

C134700430

* NEW PART

X ON DEMAND



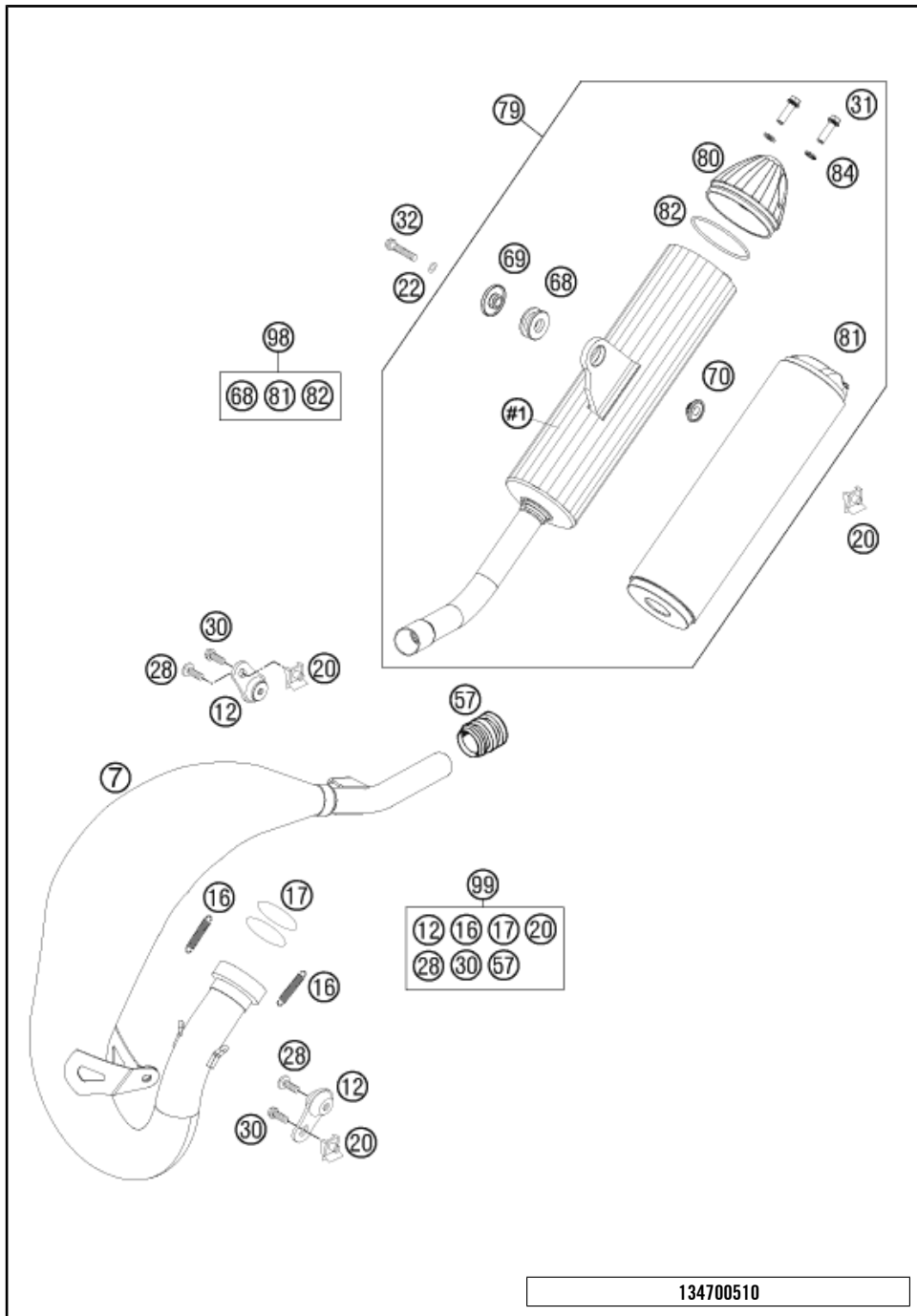
134700490

POS	PARTNUMBER	PARTNAME	PIECE
5	50180105	THREADED BUSH M12 PDS	1
15*	77204087000	HEX NUT M14X1.5 SW17	1
16	54403135000	PLASTIC CAP SFL10	1
30	47004030144	SWINGARM 85SX CPL. 2004	1
31	59004031000	NEEDLE BUSH HK2012V	4
32	50203081700	BUSHING SLEEVE 15X20X38,75	2
33	59033080000	SHIM 20X32X1	4
34	0760253270	SHAFT SEAL RING 25X32X7	4
35	54603090000	BUCKET F.SHAFTSEALRING 15X25X9	4
37*	47104037000	SWING ARM BOLT 85 SX	1
41	58404041000	CLOSING COVER SWINGARM SM 03	2
42	58404041100	CLOSING COVER ROUND 03	4
59	0019080206	COUNTER-SUNK SCREW ISA45 M8X20	1
60	47030060051	THREADED BUSH FOR CHAIN GUARD	1
61	47007061000	CHAIN GUARD 85 SX 2003	1
62	58314060050	% SPACER BUSH. F. SPEEDOMET.B.	1
65	72210079000	BUCKET	2
66	58404066000	CHAIN SLIDING GUARD SM 03	1
68	54607069000	CHAIN GUIDE KIT REAR CPL.	x
69	54607066100	CHAIN GUIDE REAR '94	1
70	54607070144	RETAINING PLATE CPL.	1
71	0025060166	HH COLLAR SCREW M6X16 TX30	1
72	0025060306	HH COLLAR SCREW M6X30 TX30	1
73	0025060506	HH COLLAR SCREW M6X50 TX30	2
76	54611076100	RETAIN.CLAMP FOR BRAKE HOSE'96	2
77	0009050106	EJOT SPIRAL SCREW SF M5X10-K	4
97	47007061010	SPROCKET COVER KIT	x
98	58404066010	CHAIN GUARD KIT 105/85 SX	1
99	47004230010	SWINGARM REP. KIT 105/85 SX	1

C134700490

* NEW PART

X ON DEMAND

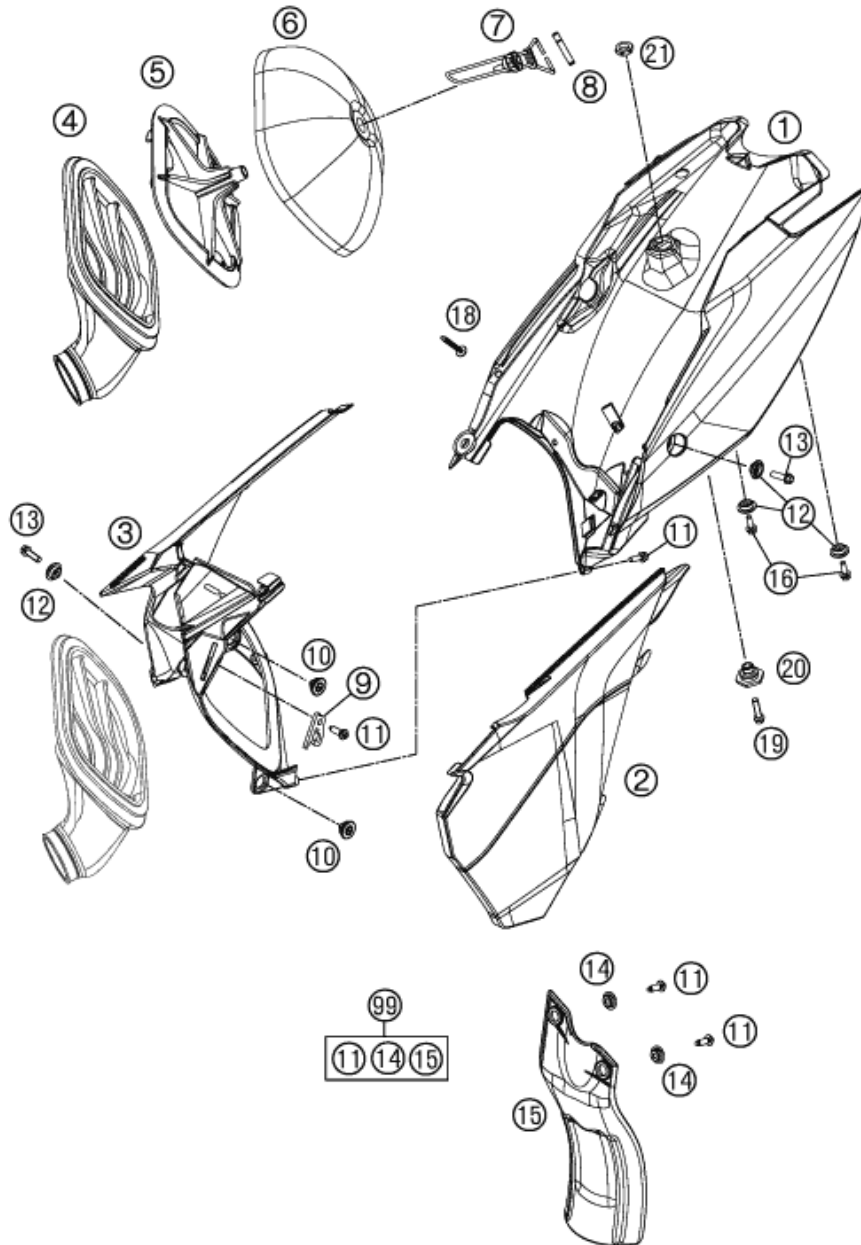


POS	PARTNUMBER	PARTNAME	PIECE
7	47005007100	EXHAUST PIPE 85 SX 07	1
12	50305012000	SWINGELEMENT FOR EXHAUST PIPE	2
16	50305016000	TEN.SPRING L=62MM EY.MOVEABLE	2
17	0770380030	O-RING 38,00X3,00 VITON	2
20	54603048100	RANGE CHANGE METAL NUT M6	3
22	0137060003	SPRING WASHER DIN0137-B 6	1
28	0024060106	HH COLLAR SCREW M6X10 TX30	2
30	0025060166	HH COLLAR SCREW M6X16 TX30	2
31	0025060206	HH COLLAR SCREW M6X20 TX30	2
32	0025060306	HH COLLAR SCREW M6X30 TX30	1
57	54605057000	RUBBER SLEEVE D=21MM/23MM '93	1
68	54605068000	% EXHAUST BRACKET RUBBER BLACK	1
69*	46205169000	BUSHING 7.5X12X28X7.6	1
70*	77205069000	BUSHING 7.5x12x20x8.2 11	1
79	47005079100	SILENCER 85 SX 06	1
80	50305079169	SILENCER ENDCAP SX REAR	1
81	50305079160	STUFFING YARN 160 GRAM	1
82	0770055020	O-RING 55,00X2,00 NBR70	2
84	50233041000	PAIR OF WASHERS M 6 NORDLOCK	2
98	00050000804	SILENCER REP. KIT 160 GRAM	1
99	00050000812	EXHAUST HARDWARE KIT MINI	1

134700510

C134700510

* NEW PART X ON DEMAND



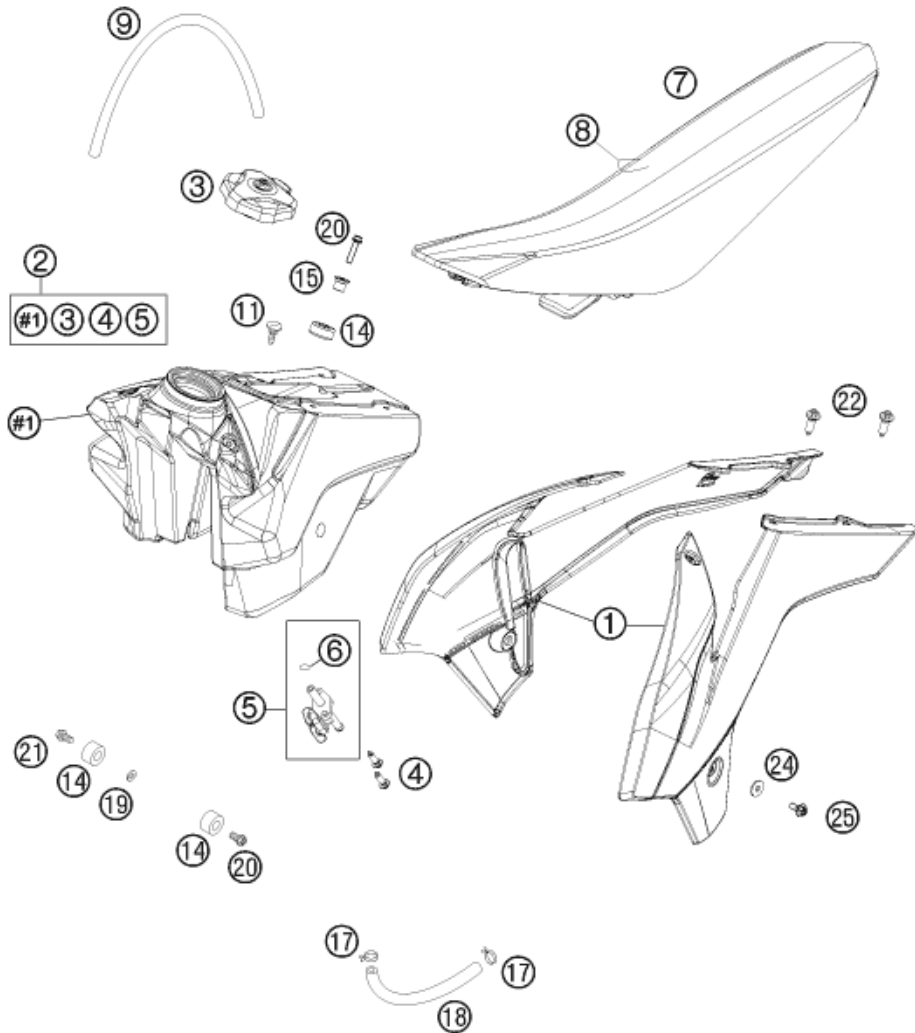
POS	PARTNUMBER	PARTNAME	PIECE
1*	4710600105228	FILTER BOX PART REAR WHITE	1
2*	4710600300004A	FILTER COVER ORANGE 2013	1
3*	4710600101004	AIR BOX PART ORANGE 2013	1
4*	47106026000	CARBURETOR CONNECTING	1
5	54806516000	FILTER CARRIER	1
6*	77206015000	AIR FILTER	1
7*	47106017000	AIR FILTER SUPPORT BRACKET CPL	1
8*	77306018000	FILTER SUPPORT BUSH 07	1
9*	47106019000	FASTEN. DEVICE FILTER SUPPORT	1
10*	47106003160	QUICK CONNECTOR CLUTCH	2
11	0017060203	% EJOT PT SCREW K60X20 WS=6	4
12*	77308013010	COLLAR BUSH. F.REAR FENDER 07	4
13*	0025060206	HH COLLAR SCREW M6X20 TX30	2
14*	46104066050	BUSH FOR CHAINSLIDER GUARD 02	2
15*	47106010000	SPLASH PROTECTION	1
16*	0025050166	HH COLLAR SCREW M5X16 TX30	2
18*	0017060403	SPECIAL SCREW T60 6X40 WS=6	1
19	0025060256	HH COLLAR SCREW M6X25 TX30	1
20	54807048000	BUSHING FOR SEAT FASTENING 03	1
21	50314057050	COLLAR NUT M12X1/WS17 H=5MM	1
99*	47106010010	SPLASH PROTECTOR KIT 85 SX	x

134700610

C134700610

* NEW PART

X ON DEMAND



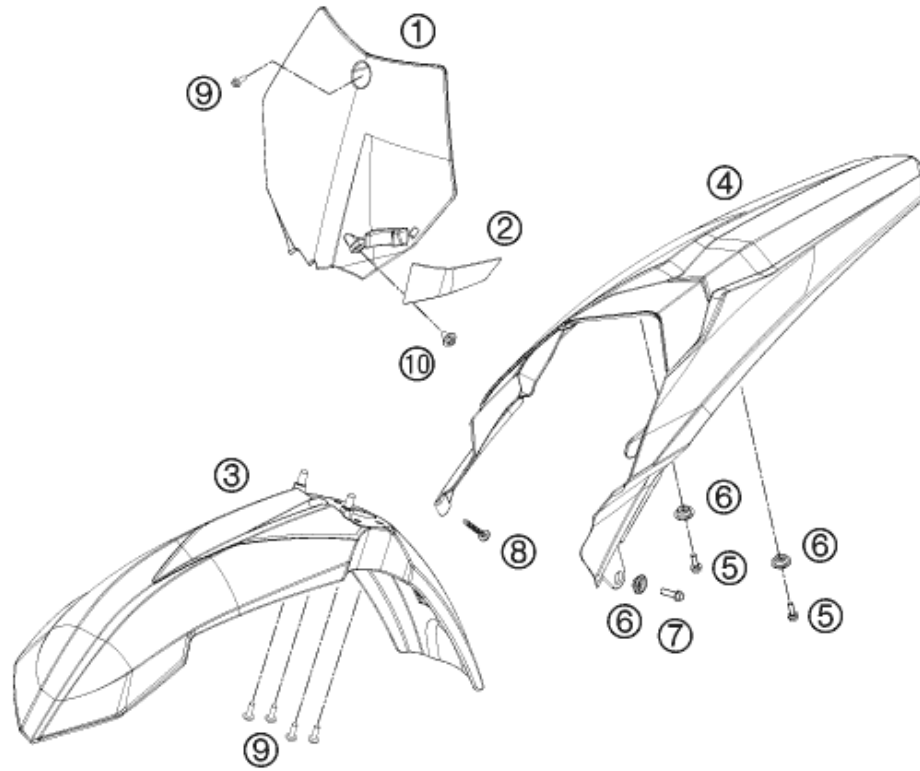
POS	PARTNUMBER	PARTNAME	PIECE
1*	4710805400004A	SPOILER SET 85SX 2013	1
2*	4710701304430	FUEL TANK CPL.	1
3*	77707008044X4	% TANK PLUG CPL. BLACK SX 13	1
4	0017060253	%EJOT PT SCREW K60X25-Z SW6	2
5	50307005000	GAS COCK MIKUNI ON/OFF 2001	1
6	0770130023	O-RING 13,00X2,30	1
7*	47107040000	SEAT CPL.	1
8*	47107040050	SEATCOVER 85 SX 2013	1
9	50332095200	TUBE RUBBER 6X9 DVOH 200MM	1
11	50307011000	SCREW SEAT FASTENING D=6X23/18	1
14	50307014000	TANK ROLLER 12X26X12 '98	3
15*	77307026000	TANK BUSHING 07	1
17	45031005000	YDNAC-CLAMP FUEL HOSE (8MM)	2
18	58307016001	FUEL HOSE VITON 6X1,5 PER/M	x
19	12011016000	WASHER 6 X 12 X 3	1
20*	0025060256	HH COLLAR SCREW M6X25 TX30	2
21	0025060166	HH COLLAR SCREW M6X16 TX30	1
22	0017060203	% EJOT PT SCREW K60X20 WS=6	6
24*	0021060003	WASHER DIN9021-A 6,4	2
25*	0024060156	HH COLLAR SCREW M6X15 TX30	2

134700710

C134700710

* NEW PART

X ON DEMAND



POS	PARTNUMBER	PARTNAME	PIECE
1*	4710800700028	NUMBER PLATE WHITE	1
2*	4620802200030	BRAKE HOSE GUIDE	1
3*	4710801000004	FRONT FENDER ORANGE	1
4*	4710801300004	REAR FENDER ORANGE 2013	1
5*	0025050166	HH COLLAR SCREW M5X16 TX30	2
6*	77308013010	COLLAR BUSH. F.REAR FENDER 07	4
7*	0025060206	HH COLLAR SCREW M6X20 TX30	1
8*	0017060403	SPECIAL SCREW T60 6X40 WS=6	1
9	0024060156	HH COLLAR SCREW M6X15 TX30	5
10	0024060106	HH COLLAR SCREW M6X10 TX30	1

134700810

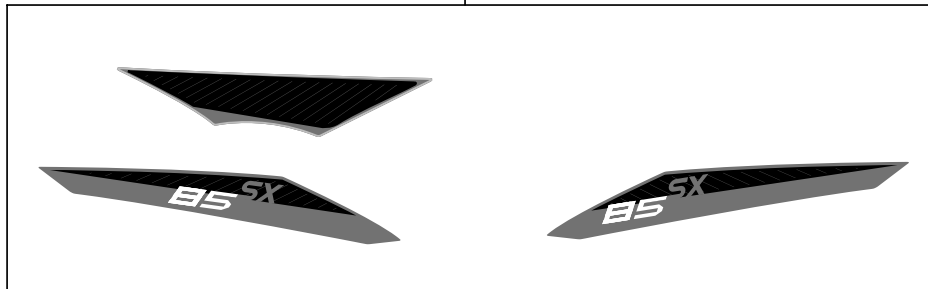
C134700810

* NEW PART

X ON DEMAND

POS	PARTNUMBER	PARTNAME	PIECE
1*	47108099000	DECALSET 85SX 2013	1

①

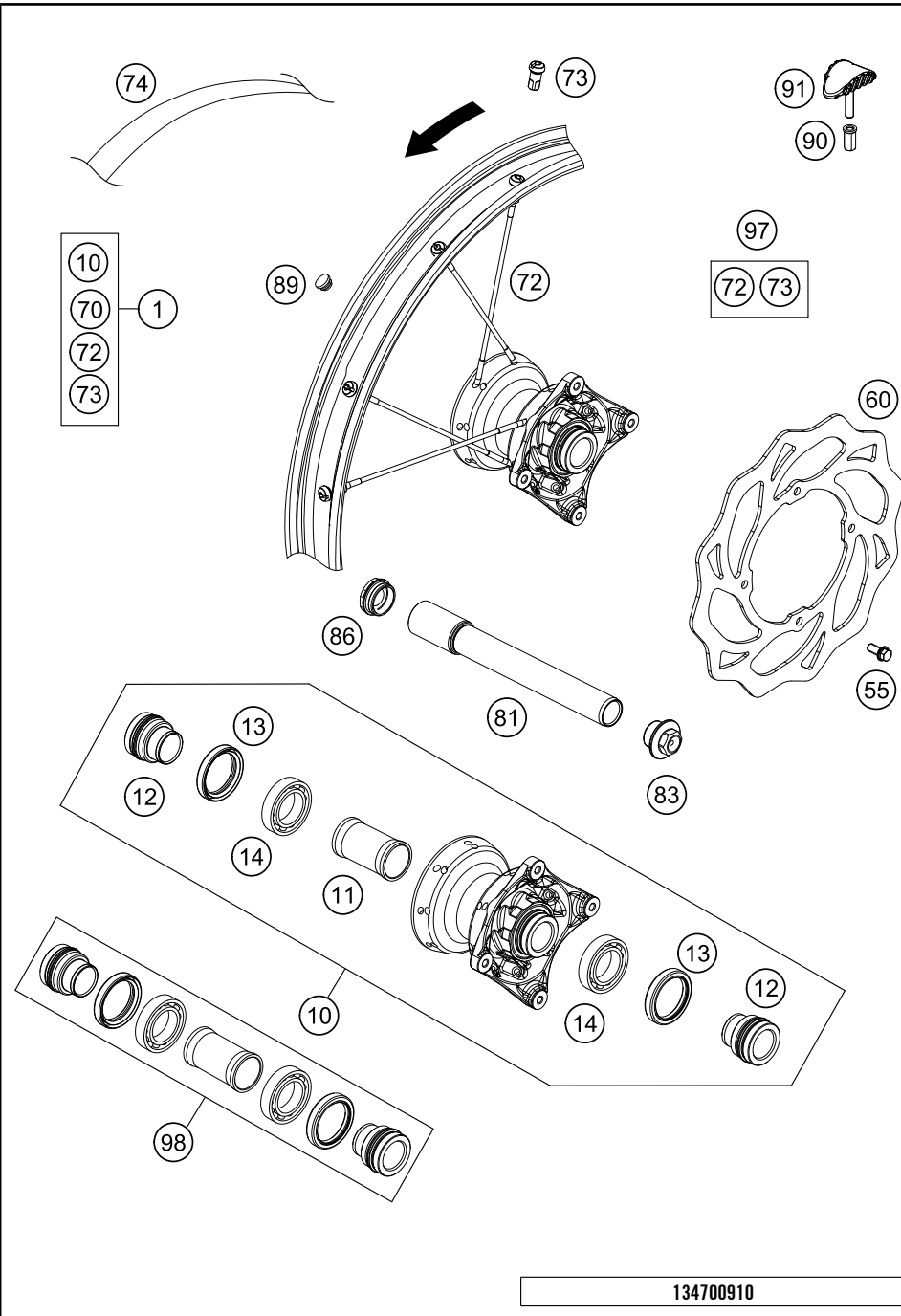


134700830

C134700830

* NEW PART

X ON DEMAND



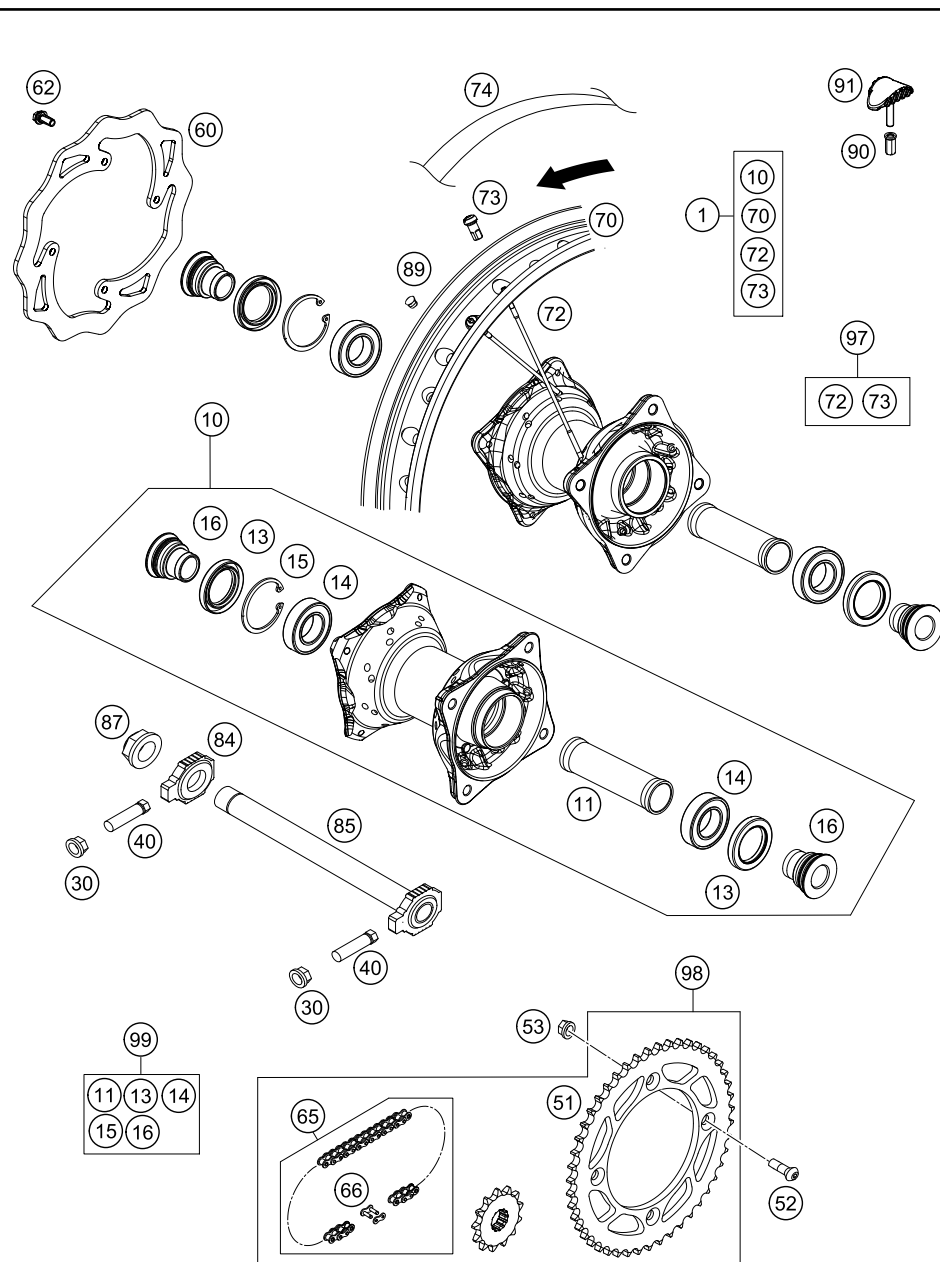
POS	PARTNUMBER	PARTNAME	PIECE
1*	47109001044	FRONT WHEEL CPL. 17" 2013	1
10	70009010044	FRONT WHEEL HUB CPL. 12	1
11	70009011000	BEAR.SPACER TUBE FRONT D22MM	1
12	70009012000	SPACER BUSHING D=22MM	2
13	0760324271	SHAFT SEAL RING 32X42X7 BSL	2
14	0625069050	BALL BEARING 6905 J1LLUC3	2
55	59009062013	SPECIAL SCREW M6X13 WS=8 10.9	4
60	47009060300	BRAKE DISC FRONT D=219MM 09	1
70*	47109070000	RIM FRONT AL4 17X1,40-32	1
72*	4710907118330	SPOKE M4,5X183-17" BLACK	32
73	77109072000	SPOKE NIPPLE M4,5 AL 11	32
74	47009073000	RIM BAND 85 SX 17" 2003	1
81	70009081000	AXLE FRONT D=22 '12	1
83	70009082000	AXLESCREW M20X1.5; SW17	1
86	70009081050	PLUG BUSHING SW17 '12	1
89	55003135000	PLUG FOR RIM	x
90	77110090050	NUT FOR WHEEL HOLDER	x
91	45110090000	RIM LOCK CPL. 2004	x
97	00050000965	SPOKE KIT FRONT "17" 85 SX 13	x
98	70009015000	FRONT WHEEL REP. KIT	x

134700910

C134700910

* NEW PART

X ON DEMAND

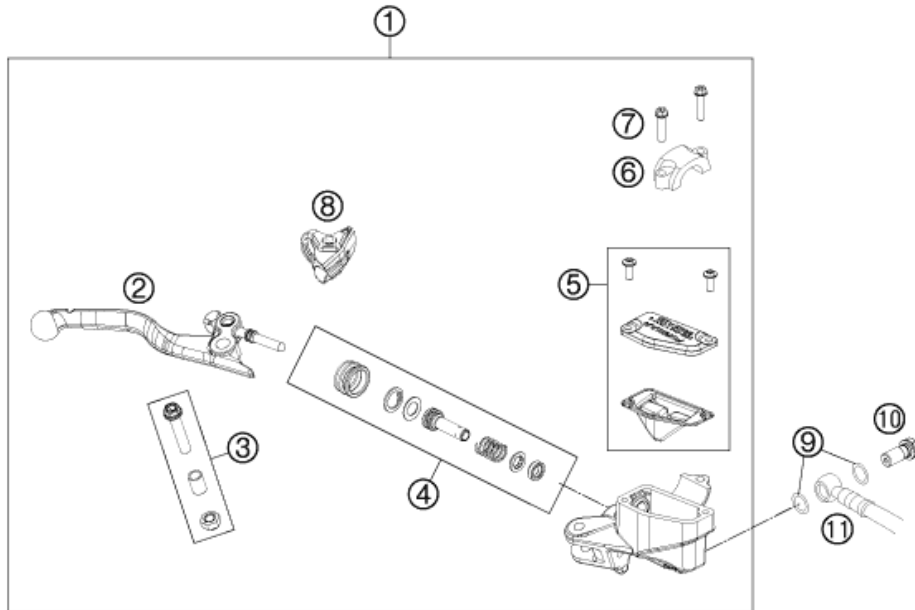


POS	PARTNUMBER	PARTNAME	PIECE
1*	47110001044	REAR WHEEL CPL. 14" 2013	1
10	70010010044	REAR WHEEL HUB CPL. 12	1
11	70010011000	BEAR.SPACER TUBE '12	1
13	0760324771	SHAFT SEAL RING 32X47X7 BSL	2
14	0625060058	GR.BALL BEAR.6005 DDU2CG23S6NM	2
15	0472047175	CIRCLIP DIN0472-47X1,75	1
16	78010016000	BUSHING FOR HUB 08	2
30	58414030000	HH COLLAR NUT M10X1,25 WS=13	2
40	50304040100	SCREW M10X1,25X50 WS=10	2
51	47010051044	REAR SPROCKET 44-T 85 SX 03	x
51	47010051045	REAR SPROCKET 45-T 85 SX 03	x
51	47010051046	REAR SPROCKET 46-T 85 SX 03	x
51	47010051047	REAR SPROCKET 47-T 85 SX 03	x
51	47010051048	REAR SPROCKET 48-T 85 SX 03	x
51	47010051049	REAR SPROCKET 49-T 85 SX 03	x
51	47010051050	REAR SPROCKET 50-T 85 SX 03	x
51	47010051051	REAR SPROCKET 51-T 85 SX 06	x
52	0019080266S	COUNTER-SUNK SCREW ISA45 M8X26	4
53*	06923080003	HEXAGON NUT DIN EN1661 M8 SW13	4
60	47010060500	REAR BRAKE DISC	1
62	59009062016	SPECIAL SCREW M6X16 WS=8 10.9	4
65	47010165124	CHAIN 124 ROLLS 85 SX	1
66	47010166000	CONNECTING LINK 85 SX	1
70*	47110070000	RIM REAR AL4 14X1,60-32	1
72*	4711007114730	SPOKE M4,5X147-14" BLACK	32
73	77109072000	SPOKE NIPPLE M4,5 AL 11	32
74	47010073000	RIM BAND 85 SX 14" 2003	1
84	50310084000	CHAIN TENSIONER R/S 2000	1
85	47010085044	AXLE REAR CPL. 85 SX 2003	1
87	50310099000	HEXAGON NUT M20X1,5 '98	1
89	55003135000	PLUG FOR RIM	x
90*	77110090050	NUT FOR WHEEL HOLDER	1
91*	78109090000	RIM LOCK 1,60"	1
97	00050000966	SPOKE KIT REAR "14" 85 SX 13	x
98	00050002002	DRIVETRAIN KIT 85 SX 14T/46T	1
99	70010015000	REAR WHEEL REP. KIT	x

134701010

C134701010

* NEW PART X ON DEMAND



POS	PARTNUMBER	PARTNAME	PIECE
1*	47113001000	% HAND BRAKE CYLIN. CPL. 9,5MM	1
2	70013002000	LEVER CPL.	1
3	70002038000	LEVER SCREW CPL.	1
4*	47002032000	REP. SET PISTON 9,5MM	1
5	70013003000	COVER HAND BRAKE CYLINDER CPL.	1
6*	47113005000	% CLAMP	1
7	0025060256	HH COLLAR SCREW M6X25 TX30	2
8	70013004000	MUDCOVER HANDBRAKE LEVER	1
9	0770080019	O-RING 8,00X1,00 FORMULA	2
10	47013025000	HOLLOW SCREW BRAKE CYLINDER 03	1
11*	70013010100	BRAKE HOSE FRONT 1065MM	1
15	00062030000	BRAKE FLUID DOT5.1 0,25L	1

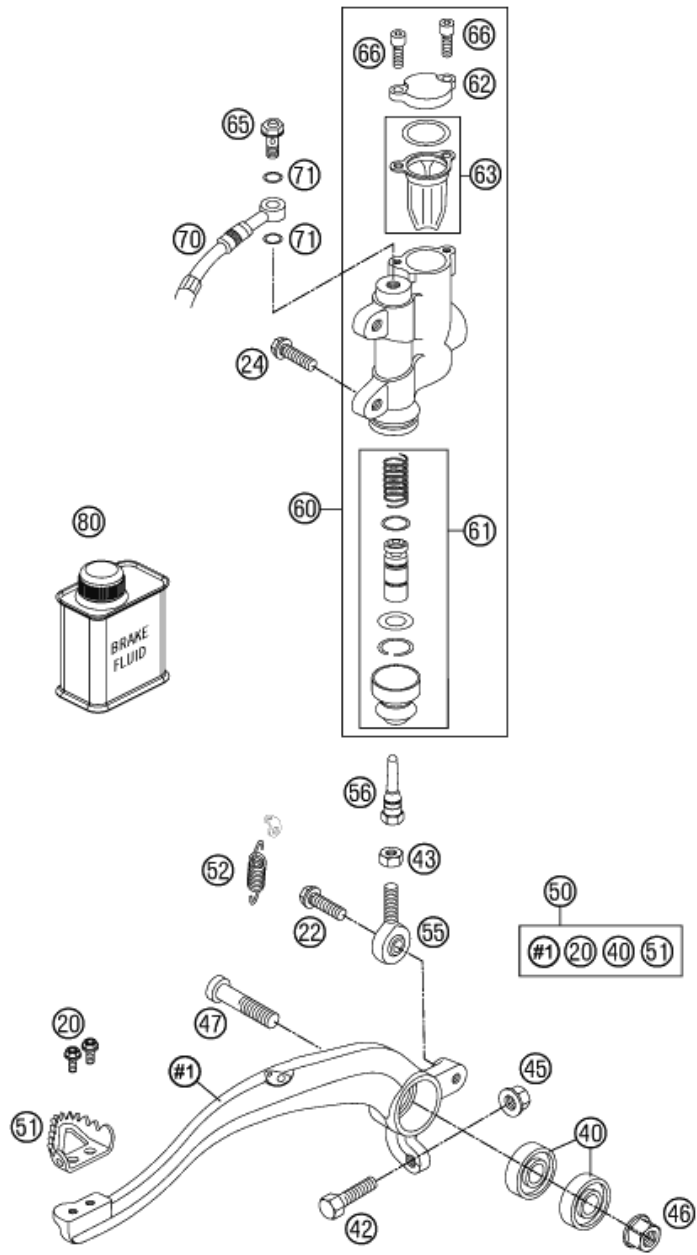


134701310

C134701310

* NEW PART

X ON DEMAND

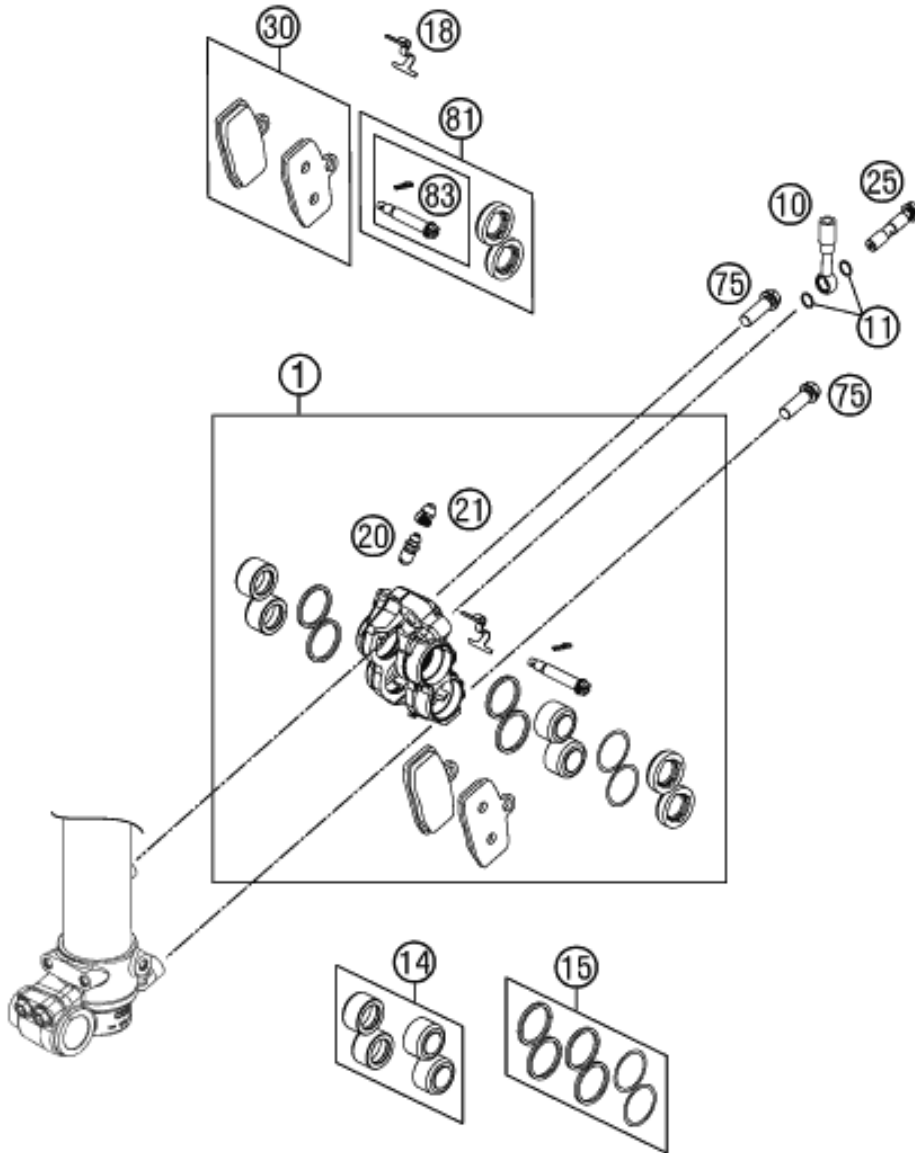


124701330

POS	PARTNUMBER	PARTNAME	PIECE
20	0025050126	HH COLLAR SCREW M5X12 TX30	2
22	0025060206	HH COLLAR SCREW M6X20 TX30	1
24	0025060126	HH COLLAR SCREW M6X12 TX30	2
40	0625060002	BALL BEARING SKF 6000-2RS1	2
42	59001037000	SPECIAL SCREW M8X26 WS=10	1
43	0934060003	HEXAGON NUT DIN0934-M 6	1
45	46030045000	COLLAR NUT M8 WS=10	1
46	54630044000	COLLAR NUT M10 WS=13	1
47	0032100406S	AH-COLLAR SCREW M10X40 ISA45	1
50	47013050044	FOOT BRAKE LEVER CPL. 85 SX 03	1
51	54813051000	STEP PLATE FOR BRAKE LEVER	1
52	54603062000	% RETURN SPRING FOR BRAKELEVER	1
55	54813055000	SWIVEL HEAD KA6 03	1
56	47013056100	PRESSURE ROD 85 SX 06	1
60	47013060200	FOOT BRAKE CYL.R. CPL. D=11 05	x
60	47013060300	% FOOTBRAKECYL.R. CPL. D=12 05	1
61	47013061000	REP. SET PISTON REAR D=11 2003	x
61	47013061100	REP. SET PISTON REAR D=12 2004	1
62	47013062000	CYLINDER COVER REAR 85 SX 03	1
63	47013063000	GASKET CYLINDER COVER REAR 03	1
65	47013025000	HOLLOW SCREW BRAKE CYLINDER 03	1
66	0912040103	AH.SCREW DIN0912-M 4X10	2
70	47013070000	BRAKE HOSE REAR 85 SX 03	1
71	0770080019	O-RING 8,00X1,00 FORMULA	2
80	00062030000	BRAKE FLUID DOT5.1 0,25L	1

C124701330

* NEW PART X ON DEMAND



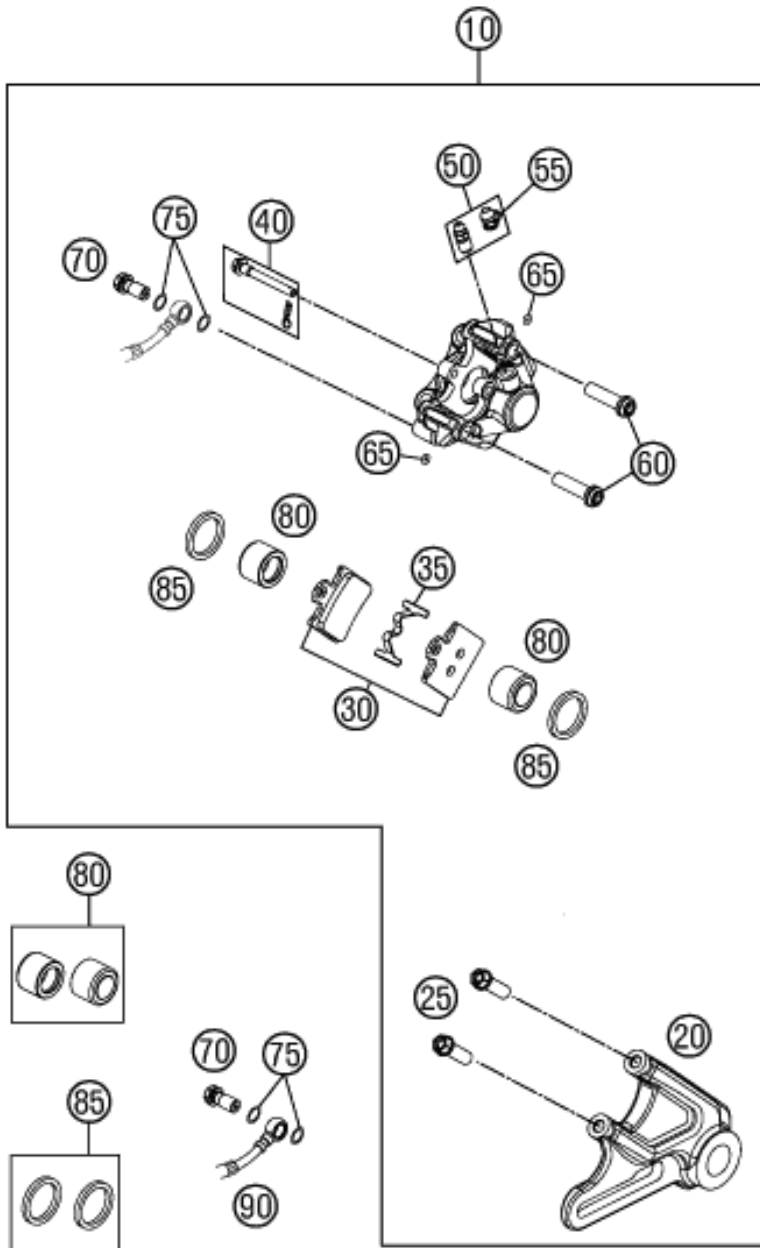
POS	PARTNUMBER	PARTNAME	PIECE
1	47013015100	BRAKE CALIPER FRONT	1
10	70013010100	BRAKE HOSE FRONT 1065MM	1
11	0770080019	O-RING 8,00X1,00 FORMULA	2
14	47013019000	REPAIR KIT BRAKEPISTON	1
15	47013022000	REP. KIT SEALS	1
18	47013018100	RETAINING SPRING FRONT 85SX	1
20	47013020000	BLEEDER SCREW M6	1
21	47013021000	CAP FOR BLEEDER SCREW	1
25	47013025000	HOLLOW SCREW BRAKE CYLINDER 03	1
30	47013030000	BRAKE PAD SET FRONT 2012	1
75	0025080256	HH COLLAR SCREW M8X25 TX40	2
81	47013023000	PISTONCOVER 85SX 2012	1
83	47013030050	PIN BRAKE PAD CPL. 2012	1

134701361

C134701361

* NEW PART

X ON DEMAND



124701390

POS	PARTNUMBER	PARTNAME	PIECE
10	47013080300	BREAK CALIPER REAR CPL. 2011	1
20	47013075000	BRAKE CALIPER SUPPORT CPL.	1
25	0025080256	HH COLLAR SCREW M8X25 TX40	2
30	47013090300	BRAKE PADS REAR 85 SX 2011	1
35	47013018000	RETAINING SPRING 85 SX 2011	1
40	47013092000	SPECIAL SCREW WITH SPLINT PIN	1
50	47013085000	BLEEDER SCREW M8X1	1
55	47013021000	CAP FOR BLEEDER SCREW	1
60	47013084000	SPECIAL SCREW CALIPER M8X30	2
65	07700257178	O-RING 2,57X1,78	2
70	47013025000	HOLLOW SCREW BRAKE CYLINDER 03	1
75	0770080019	O-RING 8,00X1,00 FORMULA	2
80	47013083200	REPAIR KIT BRAKEPISTON 2011	1
85	47013081100	REP. KIT SEAL. RINGS REAR 2011	2
90	47013070000	BRAKE HOSE REAR 85 SX 03	1

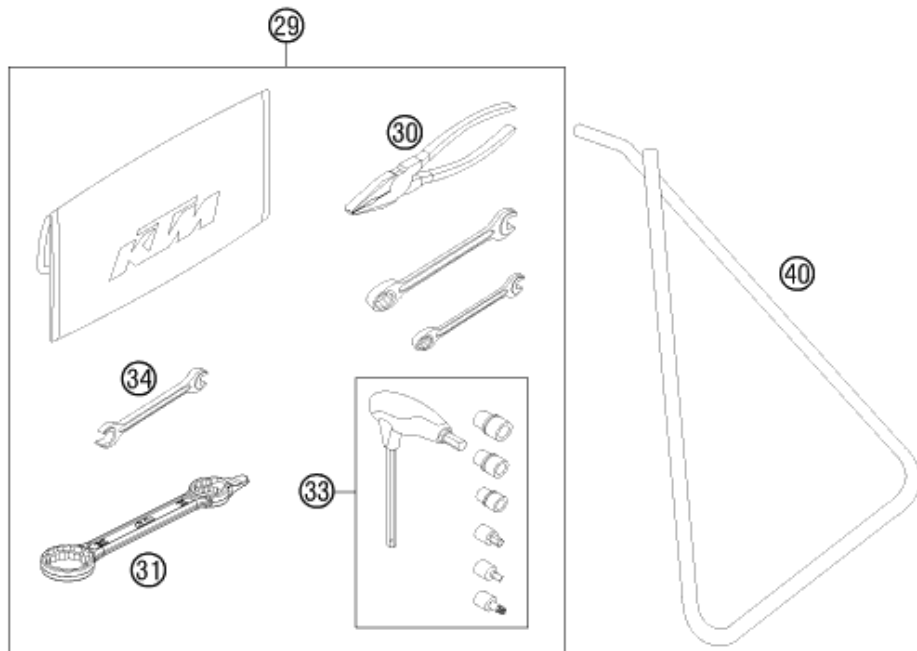
C124701390

* NEW PART

X ON DEMAND

①
OHNE ABBILDUNG
WITHOUT ILLUSTRATION

①
TECHNISCHE DOKUMENTATION
TECHNICAL DOCUMENTATION
DOCUMENTACION TECNICA
DOCUMENTATION TECHNIQUE
NOTE TECNICHE



124702000

POS	PARTNUMBER	PARTNAME	PIECE
0	0024060136	HH COLLAR SCREW M6X13 TX30	4
0	3210039	* CUSTOMER WELCOME LETTER	1
0	4710801000004	FRONT FENDER ORANGE	1
0	00063004202	PRINT LABEL 60X51 MM	1
0	312313	KTM BALLPOINT PEN ORANGE	1
0	00062030019	AIR FILTER OIL 100ML	1
0	3212457DE/GB	PP OFFROAD FOLDER 2013	1
0	3212455GB	POWER WEAR FOLDER 2013	1
0	312305	DOCUMENTS BAG 2006	1
1	3211856EN	OWN.MAN. 85/105 SX 2013	1
1	322000	SAFETY BROCHURES SPORTMINICYC.	1
29	54829099100	TOOL KIT 2012	1
30	53012028200	GRIP ORANGE B&F	1
31	50329080100	WRENCH SW=17/21/27/32 B&F	1
33	60029070300	T-WRENCH WS=6/8/10/TX45/SK4X1	1
34	50329072000	SPOKE-SPANNER WS 7/10	1
40	47003020000	PLUG IN STAND SX 85 2003	1

C134702000

* NEW PART

X ON DEMAND



- ⑤ Ø 5 mm
- ⑥ Ø 6 mm
- ⑧ Ø 8 mm
- ⑩ Ø 10 mm
- ⑫ Ø 12 mm
- ⑭ Ø 14-14,5 mm
- ⑯ Ø 16 mm
- ⑳ Ø 20 mm
- ㉑ Ø 21 mm
- ㉒ Ø 22 mm
- ㉓ Ø 23 mm
- ㉔ Ø 24,5 mm
- ㉘ Ø 28,5 mm
- ㉚ Ø 32 mm
- ㉜ Ø 52 mm



POS	PARTNUMBER	PARTNAME	PIECE
5	44906890	WASHER 5X15X2	X
6	40540400	SHIM 6X12X0,1	X
6	40540401	SHIM 6X14X0,1	X
6	40540402	SHIM 6X16X0,1	X
6	40540403	SHIM 6X18X0,1	X
6	40540404	SHIM 6X12X0,15	X
6	40540405	SHIM 6X14X0,15	X
6	40540406	SHIM 6X16X0,15	X
6	40540407	SHIM 6X18X0,15	X
6	40540408	SHIM 6X12X0,2	X
6	40540409	SHIM 6X14X0,2	X
6	40540410	SHIM 6X16X0,2	X
6	40540411	SHIM 6X18X0,2	X
6	48600095	* SHIM 6X20X0,20	X
6	40540412	SHIM 6X12X0,25	X
6	40540413	SHIM 6X14X0,25	X
6	40540414	SHIM 6X16X0,25	X
6	40540415	SHIM 6X18X0,25	X
6	40540417	SHIM 6X8,5X0,10	X
6	40540418	SHIM 6X9X0,10	X
6	40540419	SHIM 6X9,5X0,10	X
6	40540423	SHIM 6X9,5X0,15	X
6	40540425	SHIM 6X8,5X0,20	X
6	40540426	SHIM 6X9X0,20	X
6	40540427	SHIM 6X9,5X0,20	X
6	40540447	SHIM 6X10X0,3	X
6	40540449	SHIM 6X9X0,3	X
6	40540450	SHIM 6X9,5X0,3	X
6	40540494	SHIM 6X18X0,4	X
6	40540774	SHIM 6X18X0,1 DELTA	X
6	40541383	SHIM 6X11X0,1	X
6	40541391	SHIM 6X11X0,3	X
6	40541402	SHIM 6X11X0,2	X
6	40541403	SHIM 6X10X0,20	X
6	40541404	SHIM 6X10X0,1	X
6	40541405	SHIM 6X10X0,15	X
6	40541406	SHIM 6X11X0,15	X
6	40541408	SHIM 6X8,0X0,30	X

080000190

C130009090

* NEW PART

X ON DEMAND



- ⑤ Ø 5 mm
- ⑥ Ø 6 mm
- ⑧ Ø 8 mm
- ⑩ Ø 10 mm
- ⑫ Ø 12 mm
- ⑭ Ø 14-14,5 mm
- ⑯ Ø 16 mm
- ⑳ Ø 20 mm
- ㉑ Ø 21 mm
- ㉒ Ø 22 mm
- ㉓ Ø 23 mm
- ㉔ Ø 24,5 mm
- ㉘ Ø 28,5 mm
- ㉚ Ø 32 mm
- ㉜ Ø 52 mm



POS	PARTNUMBER	PARTNAME	PIECE
6	40541414	SHIM 6X8,0X0,10	X
6	40541416	SHIM 6X8X0,3	X
6	40541417	SHIM 6X11X0,25	X
6	48600102	* SHIM 6X24X0,25	X
6	48600063	SHIM 6X24X0,1	X
6	48600064	SHIM 6X22X0,1	X
6	48600065	SHIM 6X20X0,1	X
6	48600069	SHIM 6X20X0,15	X
6	48600100	SHIM 6X24X0,15	X
6	48600116	SHIM 6X24X0,1 DELTA	X
6	48600139	SHIM 6X22X0,1 DELTA	X
6	48600217	BACKPLATE 6X10X0,25	X
6	48600325	SHIM 6X13X0,1	X
6	48600327	SHIM 6X15X0,1	X
6	48600329	SHIM 6X17X0,1	X
6	48600331	SHIM 6X19X0,1	X
6	48600096	* SHIM 6X20X0,25	X
6	48600097	SHIM 6X22X0,15	X
6	48600099	* SHIM 6X22X0,25	X
6	40540448	BACKPLATE 6X8,5X0,30	X
6	48600479	SHIM 6X20X0,1 T/3H	X
6	48600332	SHIM 6X21X0,1	X
6	48600333	SHIM 6X23X0,1	X
6	40541393	* SHIM 6X12X0,3	X
6	48600330	SHIM 6X17X0,15	X
6	48600988	SHIM 6X28X0,10	X
6	48600989	SHIM 6X26X0,10	X
6	48601091	SHIM 6X28X0,15	X
6	48601093	SHIM 6X26X0,15	X
8	40540477	SHIM 8X18X0,4	X
8	43570120	SHIM 8X18X0,10	X
8	44916098	WASHER 8,4X16X0,8	X
8	44916130	WASHER 8,2X15X1	X
8	44916180	WASHER 8,2X11X1	X
8	48600214	SHIM 8X16X0,1	X
8	48600385	SHIM 8x14x0.25	X
8	48600346	SHIM 8X11X0,2	X
8	48600215	CHECK VALVE 8X20X0,1	X

080000190

C130009090

* NEW PART

X ON DEMAND



- ⑤ Ø 5 mm
- ⑥ Ø 6 mm
- ⑧ Ø 8 mm
- ⑩ Ø 10 mm
- ⑫ Ø 12 mm
- ⑭ Ø 14-14,5 mm
- ⑯ Ø 16 mm
- ⑳ Ø 20 mm
- ㉑ Ø 21 mm
- ㉒ Ø 22 mm
- ㉓ Ø 23 mm
- ㉔ Ø 24,5 mm
- ㉘ Ø 28,5 mm
- ㉚ Ø 32 mm
- ㉜ Ø 52 mm



POS	PARTNUMBER	PARTNAME	PIECE
8	48600485	SHIM 8X10X0,10	X
8	48601402	SHIM 8X13X0,10	X
8	48600350	CHECK VALVE 8X16X0,15	X
8	48600061	CHECK VALVE 8X24X0,4	X
8	48600062	CHECK VALVE 8X24X0,1	X
8	48600216	CHECK VALVE 8X22X0,1	X
8	48600480	SHIM 8X10X0,20	X
8	48600555	SHIM 8X16X0,20	X
8	48600213	SHIM 8X14X0,10	X
8	48600357	CHECK VALVE 8X11X0,1	X
8	48600351	CHECK VALVE 8X12X0,1	X
8	48600607	SHUTTLE VALVE 8X20X0,4	X
8	48601095	SHIM 8X17X0,10	X
8	48600352	CHECK VALVE 8X11X0,4	X
10	36120284	SHIM 10X16X0,10	X
10	36120298	SHIM 10X16X0,2	X
10	36120312	SHIM 10X16X0,30	X
10	36120314	SHIM 10X18X0,30	X
10	36120325	SHIM 10X19X0,15	X
10	36120327	SHIM 10X23X0,15	X
10	36120328	SHIM 10X25X0,15	X
10	36120329	SHIM 10X27X0,15	X
10	36120330	SHIM 10X29X0,15	X
10	36120331	SHIM 10X31X0,15	X
10	36120332	SHIM 10X33X0,15	X
10	36120334	SHIM 10X21X0,20	X
10	36120335	SHIM 10X23X0,20	X
10	36120336	SHIM 10X25X0,20	X
10	36120337	SHIM 10X27X0,20	X
10	36120338	SHIM 10X29X0,20	X
10	36120339	SHIM 10X31X0,20	X
10	36120340	SHIM 10X33X0,20	X
10	36120342	SHIM 10X21X0,25	X
10	36120343	SHIM 10X23X0,25	X
10	36120344	SHIM 10X25X0,25	X
10	36120345	SHIM 10X27X0,25	X
10	36120349	SHIM 10X19X0,30	X
10	36120350	SHIM 10X21X0,30	X

080000190

C130009090

* NEW PART

X ON DEMAND



- ⑤ Ø 5 mm
- ⑥ Ø 6 mm
- ⑧ Ø 8 mm
- ⑩ Ø 10 mm
- ⑫ Ø 12 mm
- ⑭ Ø 14-14,5 mm
- ⑯ Ø 16 mm
- ⑳ Ø 20 mm
- ㉑ Ø 21 mm
- ㉒ Ø 22 mm
- ㉓ Ø 23 mm
- ㉔ Ø 24,5 mm
- ㉘ Ø 28,5 mm
- ㉚ Ø 32 mm
- ㉜ Ø 52 mm



POS	PARTNUMBER	PARTNAME	PIECE
10	40140275	WASHER 10X35X0,15	X
10	36120346	* SHIM 10X29X0,25	X
10	50180010	* SHIM 16X24X0,10	X
10	36120604	SHIM D10XD22X2,5	X
12	46810490	SHIM 12X24X0,20	X
12	46810491	SHIM 12X26X0,20	X
12	46810492	SHIM 12X28X0,20	X
12	46810493	SHIM 12X30X0,20	X
12	46810494	SHIM 12X32X0,20	X
12	46810495	SHIM 12X34X0,20	X
12	46810496	SHIM 12X36X0,20	X
12	46810497	SHIM 12X38X0,20	X
12	46810498	SHIM 12X40X0,20	X
12	46810499	SHIM 12X24X0,25	X
12	46810500	SHIM 12X26X0,25	X
12	46810501	SHIM 12X28X0,25	X
12	46810502	SHIM 12X30X0,25	X
12	46810504	SHIM 12X34X0,25	X
12	46810505	SHIM 12X36X0,25	X
12	46810507	SHIM 12X40X0,25	X
12	46810508	SHIM 12X24X0,30	X
12	46810509	SHIM 12X26X0,30	X
12	46810510	SHIM 12X28X0,30	X
12	46810512	SHIM 12X32X0,30	X
12	46810513	SHIM 12X34X0,30	X
12	46810518	SHIM 12X26X0,15	X
12	46810519	SHIM 12X28X0,15	X
12	46810520	SHIM 12X30X0,15	X
12	46810521	SHIM 12X32X0,15	X
12	46810522	SHIM 12X34X0,15	X
12	46810523	SHIM 12X36X0,15	X
12	46810524	SHIM 12X38X0,15	X
12	46810525	SHIM 12X40X0,15	X
12	46810604	SHIM 12X20X0,10	X
12	46810606	SHIM 12X22X0,10	X
12	46810607	SHIM 12X23X0,10	X
12	46810608	SHIM 12X24X0,10	X
12	46810610	SHIM 12X27X0,15	X

080000190

C130009090

* NEW PART

X ON DEMAND



- ⑤ Ø 5 mm
- ⑥ Ø 6 mm
- ⑧ Ø 8 mm
- ⑩ Ø 10 mm
- ⑫ Ø 12 mm
- ⑭ Ø 14-14,5 mm
- ⑯ Ø 16 mm
- ⑳ Ø 20 mm
- ㉑ Ø 21 mm
- ㉒ Ø 22 mm
- ㉓ Ø 23 mm
- ㉔ Ø 24,5 mm
- ㉘ Ø 28,5 mm
- ㉚ Ø 32 mm
- ㉜ Ø 52 mm



POS	PARTNUMBER	PARTNAME	PIECE
12	46810611	SHIM 12X18X0,15	X
12	46810612	SHIM 12X19X0,15	X
12	46810615	SHIM 12X22X0,15	X
12	46810636	BACKPLATE 12X16X0,30	X
12	46810637	BACKPLATE 12X17X0,30	X
12	46810638	BACKPLATE 12X18X0,30	X
12	46810639	SHIM 12X19X0,30	X
12	46810641	BACKPLATE 12X21X0,30	X
12	46811582	BACKPLATE 12X30X0,10	X
12	46810631	SHIM 12X20X0,25	X
12	46810633	SHIM 12X22X0,25	X
12	46811580	SHIM 12X32X0,10	X
12	46810503	SHIM 12X32X0,25	X
12	46810517	* SHIM 12X24X0,15	X
12	46810640	SHIM 12X20X0,30	X
12	46811258	RING 12X24X2,5	X
12	46812018	SHIM 12X42X0,25	X
12	46812015	SHIM 12X44X0,20	X
14	46811046	SHIM 14,5X35,4X1,25	X
16	50180023	* SHIM 16X23X0,20	X
16	50180030	SHIM	X
16	50180006	BACKPLATE 16X20X0,10	X
16	50180007	SHIM 16X21X0,10	X
16	50180028	SHIM 16X21X0,25	X
16	50180210	WASHER 16X21X1	X
16	50180008	SHIM 16X22X0,10	X
16	50180022	SHIM 16X22X0,20	X
16	50180037	SHIM 16X23X0,30	X
16	50180038	SHIM 16X24X0,30	X
16	50180032	SHIM 15X25X0,25	X
16	50180039	SHIM 16X25X0,30	X
16	50180012	SHIM 16X26X0,10	X
16	50180019	SHIM 16X26X0,15	X
16	50180026	SHIM 16X26X0,20	X
16	50180040	SHIM 16X26X0,30	X
16	50180041	SHIM 16X28X0,10	X
16	50180045	SHIM 16X28X0,15	X
16	50180054	SHIM 16X28X0,20	X

080000190

C130009090

* NEW PART

X ON DEMAND



- ⑤ Ø 5 mm
- ⑥ Ø 6 mm
- ⑧ Ø 8 mm
- ⑩ Ø 10 mm
- ⑫ Ø 12 mm
- ⑭ Ø 14-14,5 mm
- ⑯ Ø 16 mm
- ⑳ Ø 20 mm
- ㉑ Ø 21 mm
- ㉒ Ø 22 mm
- ㉓ Ø 23 mm
- ㉔ Ø 24,5 mm
- ㉘ Ø 28,5 mm
- ㉚ Ø 32 mm
- ㉜ Ø 52 mm



POS	PARTNUMBER	PARTNAME	PIECE
16	50180063	SHIM 16X28X0,25	X
16	50180072	SHIM 16X28X0,30	X
16	50180046	SHIM 16X30X0,15	X
16	50180055	SHIM 16X30X0,20	X
16	50180064	SHIM 16X30X0,25	X
16	50180073	SHIM 16X30X0,30	X
16	50180047	SHIM 16X32X0,15	X
16	50180056	SHIM 16X32X0,20	X
16	50180065	SHIM 16X32X0,25	X
16	50180074	SHIM 16X32X0,30	X
16	50180044	SHIM 16X34X0,10	X
16	50180048	SHIM 16X34X0,15	X
16	50180057	SHIM 16X34X0,20	X
16	50180066	SHIM 16X34X0,25	X
16	50180075	SHIM 16X34X0,30	X
16	50180049	SHIM 16X36X0,15	X
16	50180058	SHIM 16X36X0,20	X
16	50180067	SHIM 16X36X0,25	X
16	50180076	SHIM 16X36X0,30	X
16	50180050	SHIM 16X38X0,15	X
16	50180059	SHIM 16X38X0,20	X
16	50180068	SHIM 16X38X0,25	X
16	50180077	SHIM 16X38X0,30	X
16	50180051	SHIM 16X40X0,15	X
16	50180060	SHIM 16X40X0,20	X
16	50180069	SHIM 16X40X0,25	X
16	50180078	SHIM 16X40X0,30	X
16	50180052	SHIM 16X42X0,15	X
16	50180061	SHIM 16X42X0,20	X
16	50180070	SHIM 16X42X0,25	X
16	50180079	SHIM 16X42X0,30	X
16	50180053	SHIM 16X44X0,15	X
16	50180062	SHIM 16X44X0,20	X
16	50180071	SHIM 16X44X0,25	X
16	50180080	SHIM 16X44X0,30	X
16	50180177	WASHER 16X8,2X0,6	X
16	50180033	SHIM 16X26X0,25	X
16	50180034	BACKPLATE 16X20X0,30	X

080000190

C130009090

* NEW PART

X ON DEMAND



- ⑤ Ø 5 mm
- ⑥ Ø 6 mm
- ⑧ Ø 8 mm
- ⑩ Ø 10 mm
- ⑫ Ø 12 mm
- ⑭ Ø 14-14,5 mm
- ⑯ Ø 16 mm
- ⑳ Ø 20 mm
- ㉑ Ø 21 mm
- ㉒ Ø 22 mm
- ㉓ Ø 23 mm
- ㉔ Ø 24,5 mm
- ㉘ Ø 28,5 mm
- ㉚ Ø 32 mm
- ㉜ Ø 52 mm



POS	PARTNUMBER	PARTNAME	PIECE
16	50180035	BACKPLATE 16X21X0,30	X
16	50180036	BACKPLATE 16X22X0,30	X
16	50180043	SHIM	X
16	50180024	* SHIM 16X24X0,20	X
16	50180027	* SHIM 16X20X0,25	X
16	50180031	SHIM	X
16	50180029	SHIM	X
20	48600212	PRESSURE-RING 20X16,25X0,20	X
20	50180666	SHIM 20X24X0,30	X
20	50180654	SHIM 20X36X0,20	X
20	50180655	SHIM 20X38X0,20	X
20	50180656	SHIM 20X40X0,20	X
20	50180665	SHIM 20X40X0,25	X
20	50180662	SHIM 20X34X0,25	X
20	50180657	SHIM 20X24X0,25	X
20	50180653	SHIM 20X34X0,20	X
20	50180634	RING 20X22,9X1	X
20	50180650	SHIM 20,2X28X0,20	X
20	50180663	SHIM 20X36X0,25	X
20	50180664	SHIM 20X38X0,25	X
20	50180659	SHIM 20,2X28X0,25	X
21	50180209	WASHER 21X36X0,25	X
22	50180330	* PRESS. RING 22X18X0,30	X
23	50180635	SHUTTLE VALVE 23X38X0,25	X
23	50180578	SHIM D23XD16X2	X
24	40541061	WASHER 24,5X34X2	X
28	36120469	SHIM 28,5X14X2	X
28	36120471	SHIM 28,5X14X5	X
32	48600460	WASHER 32X42X2,5	X
32	50600065	SHIM 32X45X2	X
32	46811637	PRESSURE RING 36X32,25	X
52	50600002	SHIM 52X59X2,2	X

080000190

C130009090

* NEW PART

X ON DEMAND







WWW.KTM.COM



KTM Sportmotorcycle GmbH
5230 Mattighofen, Austria
www.ktm.com



KTM_POWERPARTS

KTM_POWERWEAR

KTM_ORIGINAL SPARE PARTS



3CFF6001M8EN

Art. Nr.: 3CFF6001M8EN 11. Mai 2015